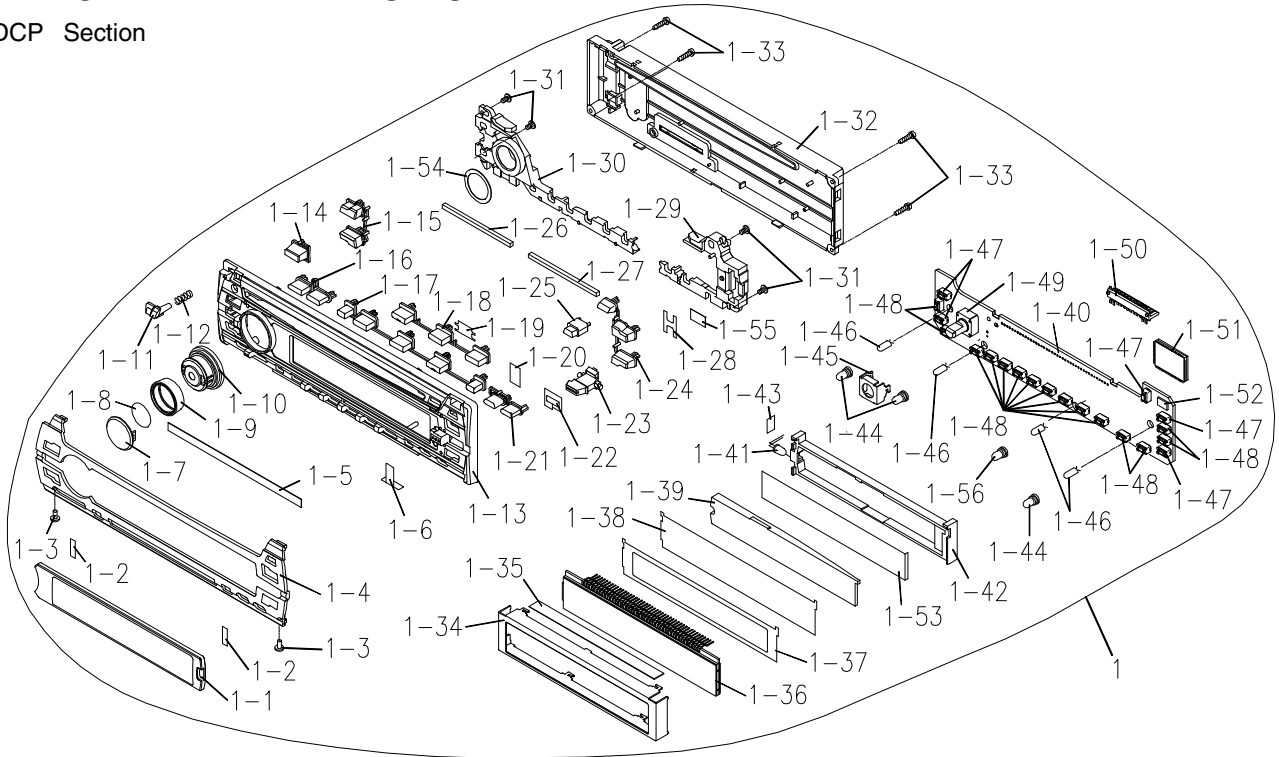


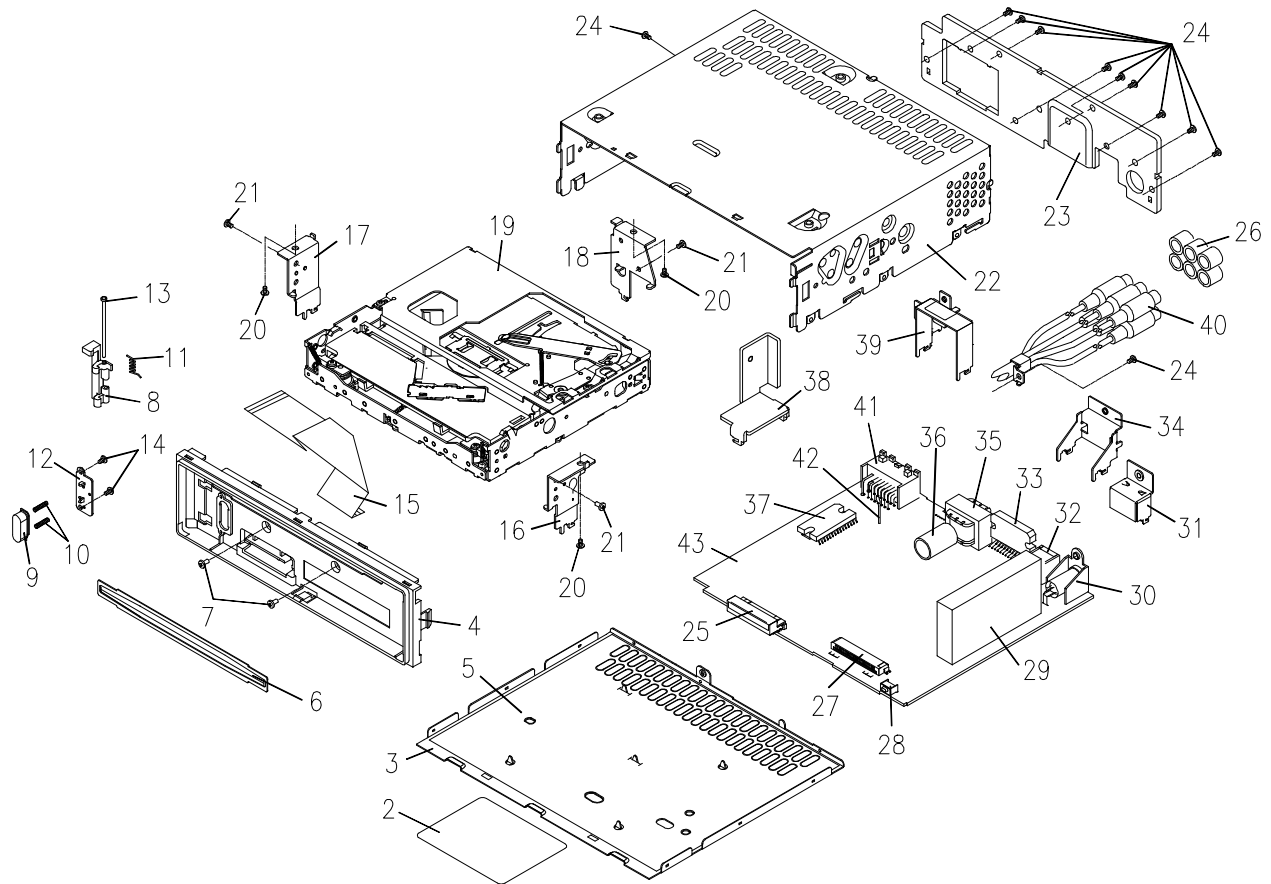
EXPLODED VIEW • PARTS LIST:

DCP Section



NO.	PARTS NO.	DESCRIPTION	Q'TY	NO.	PARTS NO.	DESCRIPTION	Q'TY
1	DCP-440-600	DCP ASSY(PE-2554B-A)	1	1-28	347-6992-00	CUSHION	1
	DCP-428-800	DCP ASSY(PE-2557K-A/B)	1	1-29	335-6895-00	ILLUMI PLATE	1
1-1	373-1000-00	DIAL-CVR	1	1-30	335-6896-00	ILLUMI PLATE	1
1-2	347-6813-00	DOUBLE FACE	2	1-31	716-1764-00	PAD SCREW(ø1.7x5)	4
1-3	778-6019-01	SCREW(ø1.7x6)	2	1-32	335-6897-00	REAR-CVR	1
1-4	371-5735-03	FACE PANEL(PE-2554B-A)	1	1-33	716-0872-11	SCREW(ø1.7x8)	4
	371-5735-06	FACE PANEL (PE-2557K-A/B)	1	1-34	331-3572-00	LCD-CVR	1
1-5	347-6990-00	DOUBLE FACE	1	1-35	347-7014-00	FILM	1
1-6	347-6995-00	SURGE FILM	1	1-36	379-1262-41	INDICATOR	1
1-7	380-5553-00	KNOB	1	1-37	347-6997-00	BLACK FILM	1
1-8	347-6988-00	DOUBLE FACE	1	1-38	347-6998-00	LCD FILM	1
1-9	345-5228-00	RUBBER RING	1	1-39	335-6882-00	ILLUMI PLATE	1
1-10	380-5551-00	KNOB	1	1-40	039-2296-00	SWITCH PWB (WITHOUT COMPONENT)	1
1-11	382-6615-02	BUTTON	1	1-41	001-7046-00	DIODE	1
1-12	750-6743-00	SPRING	1	1-42	335-6892-00	LCD HOLDER	1
1-13	370-6028-00	ESCUTCHEON	1	1-43	347-6698-00	SHADE	1
1-14	382-6608-00	BUTTON	1	1-44	345-7148-20	LAMP CAP	3
1-15	382-6606-01	BUTTON	1	1-45	331-3337-00	VR HOLDER	1
1-16	382-6609-00	BUTTON	1	1-46	017-0444-00	PILOT LAMP (14V 50mA)	4
1-17	382-6610-00	BUTTON	1	1-47	013-6507-50	ILLUMI SWITCH	5
1-18	382-6611-00	BUTTON	1	1-48	013-6312-50	SWITCH	15
1-19	347-6994-00	SHADE FILM	1	1-49	016-9900-84	VR W/SHAFT	1
1-20	347-6993-00	SHADE FILM	1	1-50	076-0615-00	PLUG	1
1-21	382-6612-00	BUTTON	1	1-51	051-6066-00	IC	1
1-22	347-7022-00	REFLECT FILM	1	1-52	060-4017-90	IR-RECEIVER	1
1-23	382-6614-00	BUTTON	1	1-53	347-6991-00	REFLECTPR	1
1-24	382-6607-00	BUTTON	1	1-54	347-7676-00	FILM	1
1-25	335-6898-00	IR-FILTER	1	1-55	347-7666-00	SHADE	1
1-26	347-6996-00	CUSHION	1	1-56	345-3814-87	LAMP CAP	1
1-27	347-6989-00	CUSHION	1				

Main Section



NO.	PARTS NO.	DESCRIPTION	Q'TY
2	286-6124-00	SETPLATE (PE-2554B-A)	1
	286-6197-00	SETPLATE (PE-2557K-A)	1
	286-6198-00	SETPLATE (PE-2557K-B)	1
3	311-1859-02	LOWER CASE	1
4	370-6027-00	INNER-ES	1
5	347-6880-00	INSULATOR	1
6	346-0097-00	LEATHER SHEET	1
7	780-2607-02	MECH-SCREW(M2.6x7)	2
8	335-5915-01	HOOK	1
9	382-4078-00	BUTTON	1
10	750-3173-00	SPRING	2
11	750-3219-00	SPRING	1
12	331-2594-00	HOOK PLATE	1
13	341-1627-00	SHAFT	1
14	716-0778-00	SCREW(∅2x6)	2
15	816-2627-50	FALT WIRE	1
16	331-3569-00	MECH-SUB-BRKT	1
17	331-3570-00	MECH-SUB-BRKT	1
18	331-3427-00	MECH-BRKT	1
19	929-0221-80	CD-MECH-MODULE	1
20	714-3004-81	SCREW(M3x4)	3
21	714-2603-80	SCREW(M2.6x3)	3
22	310-1778-00	UPPER CASE	1

NO.	PARTS NO.	DESCRIPTION	QTY
23	313-1866-00	HEAT SINK	1
24	714-3006-81	SCREW(M3x6)	11
25	074-1217-00	OUTLET SOCKET	1
26	345-3799-20	RUBBER CAP	6
27	074-1237-76	OUTLET SOCKET	1
28	013-6103-00	TACT SWITCH	1
29	880-2090B	TUNER	1
30	092-4000-51	ANT-RECEPT	11
31	331-3567-00	CN-HOLDER	1
32	074-1194-00	OUTLET SOCKET	1
33	051-2050-00	IC	1
34	331-3560-01	IC HOLDER	1
35	009-9006-00	CHOKE	1
36	042-0447-00	ALUMI-ELE-C	1
37	051-3297-10	IC	1
38	313-1867-00	HEAT SINK	1
39	331-3561-03	CN-HOLDER	1
40	855-5478-50	RCA-PIN-CORD	1
41	074-1214-00	OUTLET SOCKET	1
42	321-0969-00	CLAMP	1
43	039-2295-00	MAIN PWB (WITHOUT COMPONENT)	1

ELECTRICAL PARTS LIST:

Main PWB (B1) section

REF No.	PART No.	DESCRIPTION	REF No.	PART No.	DESCRIPTION	REF No.	PART No.	DESCRIPTION
C 1	166-2096-50	50V 2pF	C 133	172-3331-15	50V 0.033uF	C 522	182-1053-67	50V 1uF
C 2	166-2201-50	50V 22pF	C 134	172-3331-15	50V 0.033uF	C 534	168-1032-55	50V 0.01uF
C 3	166-2201-50	50V 22pF	C 135	172-3331-15	50V 0.033uF	C 535	168-1032-55	50V 0.01uF
C 4	168-1022-55	50V 1000pF	C 136	172-3331-15	50V 0.033uF	C 536	168-1032-55	50V 0.01uF
C 5	168-2232-55	25V 0.022uF	C 137	172-3331-15	50V 0.033uF	C 537	168-1032-55	50V 0.01uF
C 6	168-2232-55	25V 0.022uF	C 140	182-2256-55	35V 2.2uF	C 538	182-1073-29	10V 100uF
C 9	168-1032-55	50V 0.01uF	C 141	182-2256-55	35V 2.2uF	C 541	184-2273-22	10V 220uF
C 10	168-2232-55	25V 0.022uF	C 142	182-2256-55	35V 2.2uF	C 542	168-1042-78	25V 0.1uF
C 11	182-1053-67	50V 1uF	C 143	182-2256-55	35V 2.2uF	C 543	166-1011-50	50V 100pF
C 12	168-1532-55	50V 0.015uF	C 210	182-2263-17	6.3V 22uF	C 544	166-1011-50	50V 100pF
C 13	168-2732-55	25V 0.027uF	C 214	042-0447-00	16V 2200uF	C 545	166-1011-50	50V 100pF
C 14	168-2732-55	25V 0.027uF	C 222	182-4763-39	16V 47uF	C 546	166-1011-50	50V 100pF
C 17	182-4763-35	16V 47uF	C 223	172-2231-15	50V 0.022uF	C 601	042-0650-00	5.5V 0.1uF
C 18	168-2232-55	25V 0.022uF	C 224	182-2263-37	16V 22uF	C 612	168-4732-78	25V 0.047uF
C 19	168-1022-55	50V 1000pF	C 225	182-1073-39	16V 100uF	C 614	168-1032-55	50V 0.01uF
C 20	168-6822-55	50V 6800pF	C 227	182-1063-37	16V 10uF	C 615	042-0577-00	6.3V 100uF
C 21	182-1073-35	16V 100uF	C 228	182-4763-39	16V 47uF	C 616	183-1063-37	16V 10uF
C 22	182-4763-35	16V 47uF	C 229	182-1063-37	16V 10uF	C 617	182-2263-37	16V 22uF
C 27	182-4763-19	6.3V 47uF	C 230	173-1021-18	50V 1000pF	D 102	001-0466-90	S5688B
C 28	168-1032-55	50V 0.01uF	C 243	182-1073-29	10V 100uF	D 103	001-0466-90	S5688B
C 50	168-1032-55	50V 0.01uF	C 244	182-1073-17	6.3V 100uF	D 104	001-0466-90	S5688B
C 51	182-3353-67	50V 3.3uF	C 246	168-1032-55	50V 0.01uF	D 105	001-0466-90	S5688B
C 52	166-1801-50	50V 18pF	C 247	166-1011-50	50V 100pF	D 106	001-0466-90	S5688B
C 53	166-1501-50	50V 15pF	C 301	182-1063-37	16V 10uF	D 107	001-0466-90	S5688B
C 54	166-1011-50	50V 100pF	C 302	182-1063-37	16V 10uF	D 108	001-0466-90	S5688B
C 55	166-1011-50	50V 100pF	C 303	182-1063-37	16V 10uF	D 109	001-0466-90	S5688B
C 56	166-1011-50	50V 100pF	C 304	182-1063-37	16V 10uF	D 110	001-0347-41	MA4075M
C 57	166-3311-50	50V 330pF	C 305	168-4732-78	25V 0.047uF	D 201	001-0466-90	S5688B
C 58	168-1022-55	50V 1000pF	C 320	168-4732-78	25V 0.047uF	D 202	001-0516-90	MA111
C 59	166-2201-50	50V 22pF	C 458	182-2263-17	6.3V 22uF	D 203	001-0592-00	RM4Z
C 102	178-2242-78	25V 0.22uF	C 459	182-2263-17	6.3V 22uF	D 205	001-0516-90	MA111
C 103	178-2242-78	25V 0.22uF	C 460	182-2263-17	6.3V 22uF	D 221	001-0516-90	MA111
C 104	178-2242-78	25V 0.22uF	C 461	182-2263-17	6.3V 22uF	D 225	001-0466-91	S5688G
C 105	178-2242-78	25V 0.22uF	C 462	182-2263-17	6.3V 22uF	D 226	001-0466-91	S5688G
C 106	182-4763-39	16V 47uF	C 463	182-2263-17	6.3V 22uF	D 501	001-0516-90	MA111
C 107	182-2263-37	16V 22uF	C 464	166-4711-50	50V 470pF	D 502	001-0516-90	MA111
C 108	172-2231-15	50V 0.022uF	C 500	182-1053-67	50V 1uF	D 503	001-0347-23	MA4043M
C 109	182-2253-67	50V 2.2uF	C 501	182-1053-67	50V 1uF	D 610	001-0516-90	MA111
C 118	166-1011-50	50V 100pF	C 502	182-1053-67	50V 1uF	D 611	001-0516-90	MA111
C 119	166-1011-50	50V 100pF	C 503	182-1053-67	50V 1uF	IC 2	051-6212-08	LC72191JM
C 120	166-4711-50	50V 470pF	C 504	182-1063-37	16V 10uF	IC 101	051-2050-00	LA47532
C 121	166-4711-50	50V 470pF	C 505	182-1063-37	16V 10uF	IC 102	051-3297-10	BA4916-V2
C 122	166-4711-50	50V 470pF	C 506	182-1063-37	16V 10uF	IC 301	051-0350-93	NJM4558M
C 123	166-4711-50	50V 470pF	C 507	182-1063-37	16V 10uF	IC 501	051-5028-90	TDA7409
C 124	166-4711-50	50V 470pF	C 512	182-4763-19	6.3V 47uF	IC 502	051-0350-93	NJM4558M
C 125	166-4711-50	50V 470pF	C 514	182-1063-37	16V 10uF	IC 505	051-5437-08	S-80821CNMC
C 126	166-4711-50	50V 470pF	C 515	182-4763-39	16V 47uF	IC 507	051-5830-90	UPC5701GR
C 127	166-4711-50	50V 470pF	C 516	168-1045-56	25V 0.1uF	IC 601	052-3927-00	M30624MGA155GP
C 128	166-1011-50	50V 100pF	C 517	168-4722-55	50V 4700pF	IC 602	051-6600-38	CA0008AM
C 129	166-1011-50	50V 100pF	C 518	168-4722-55	50V 4700pF	J 601	074-1194-00	OUTLET SOCKET
C 130	172-3331-15	50V 0.033uF	C 519	182-1053-67	50V 1uF	J 602	074-1237-76	OUTLET SOCKET
C 131	172-3331-15	50V 0.033uF	C 520	182-1053-67	50V 1uF	J 604	074-1217-00	OUTLET SOCKET
C 132	172-3331-15	50V 0.033uF	C 521	182-1053-67	50V 1uF	J 903	074-1214-00	OUTLET SOCKET

REF No.	PART No.	DESCRIPTION	REF No.	PART No.	DESCRIPTION	REF No.	PART No.	DESCRIPTION
L 1	010-2003-04	COIL	R 25	119-2221-15	1/16W 2.2Kohm	R 481	119-1021-15	1/16W 1Kohm
L 2	010-2230-88	220uH	R 26	119-2221-15	1/16W 2.2Kohm	R 482	119-1021-15	1/16W 1Kohm
L 3	010-2285-56	BLM21B222S	R 29	119-1031-15	1/16W 10Kohm	R 490	119-3311-15	1/16W 330ohm
L 4	010-2285-56	BLM21B222S	R 31	119-4741-15	1/16W 470Kohm	R 491	119-3311-15	1/16W 330ohm
L 500	010-2230-88	220uH	R 32	119-8201-15	1/16W 82ohm	R 501	032-0140-58	1/10W 51Kohm(F)
L 601	010-3100-66	2.2uH	R 51	119-2221-15	1/16W 2.2Kohm	R 502	032-0140-58	1/10W 51Kohm(F)
L 602	010-3100-66	2.2uH	R 52	119-1021-15	1/16W 1Kohm	R 503	032-0140-58	1/10W 51Kohm(F)
L 603	010-3100-66	2.2uH	R 60	119-1021-15	1/16W 1Kohm	R 504	032-0140-58	1/10W 51Kohm(F)
Q 3	125-2199-93	KRC103S	R 101	119-1231-15	1/16W 12Kohm	R 505	032-0140-51	1/10W 15Kohm
Q 4	125-3004-90	KTA1504S	R 102	119-1031-15	1/16W 10Kohm	R 506	032-0140-51	1/10W 15Kohm
Q 5	125-3004-90	KTA1504S	R 105	119-1021-15	1/16W 1Kohm	R 507	032-0140-51	1/10W 15Kohm
Q 50	192-2712-51	2SC2712GL	R 106	119-3311-15	1/16W 330ohm	R 508	032-0140-51	1/10W 15Kohm
Q 51	192-2712-51	2SC2712GL	R 107	119-3311-15	1/16W 330ohm	R 509	119-3311-15	1/16W 330ohm
Q 210	125-0200-96	KRA226S	R 108	119-3311-15	1/16W 330ohm	R 530	119-3931-15	1/16W 39Kohm
Q 211	125-2199-96	KRC106S	R 109	119-3311-15	1/16W 330ohm	R 531	119-4721-15	1/16W 4.7Kohm
Q 227	193-1802-61	2SD1802	R 130	116-2291-15	1/4WS 2.2ohm	R 532	119-4721-15	1/16W 4.7Kohm
Q 228	125-4011-90	KTD863	R 131	116-2291-15	1/4WS 2.2ohm	R 537	119-8221-15	1/16W 8.2Kohm
Q 250	125-0199-96	KRA106S	R 132	116-2291-15	1/4WS 2.2ohm	R 538	119-3321-15	1/16W 3.3Kohm
Q 251	125-2199-96	KRC106S	R 133	116-2291-15	1/4WS 2.2ohm	R 540	119-2231-15	1/16W 22Kohm
Q 452	125-4012-90	KTD1304	R 134	116-2291-15	1/4WS 2.2ohm	R 541	119-1021-15	1/16W 1Kohm
Q 453	125-4012-90	KTD1304	R 135	116-2291-15	1/4WS 2.2ohm	R 551	119-4721-15	1/16W 4.7Kohm
Q 454	125-4012-90	KTD1304	R 136	116-2291-15	1/4WS 2.2ohm	R 553	119-4721-15	1/16W 4.7Kohm
Q 455	125-4012-90	KTD1304	R 137	116-2291-15	1/4WS 2.2ohm	R 554	119-1011-15	1/16W 100ohm
Q 456	125-4012-90	KTD1304	R 204	119-3321-15	1/16W 3.3Kohm	R 555	119-1011-15	1/16W 100ohm
Q 457	125-4012-90	KTD1304	R 205	119-1831-15	1/16W 18Kohm	R 556	119-1011-15	1/16W 100ohm
Q 501	125-2199-96	KRC106S	R 207	119-1231-15	1/16W 12Kohm	R 557	119-1011-15	1/16W 100ohm
Q 502	125-0199-96	KRA106S	R 208	119-1011-15	1/16W 100ohm	R 603	116-6801-15	1/4WS 68ohm
Q 503	125-4010-90	KTC3875S	R 209	119-3311-15	1/16W 330ohm	R 604	119-3321-15	1/16W 3.3Kohm
Q 505	125-3005-90	KTA1273	R 210	119-1031-15	1/16W 10Kohm	R 607	119-2231-15	1/16W 22Kohm
Q 506	125-2199-96	KRC106S	R 211	119-2741-15	1/16W 270Kohm	R 611	119-1041-15	1/16W 100Kohm
Q 507	125-2199-93	KRC103S	R 212	119-5631-15	1/16W 56Kohm	R 612	119-1041-15	1/16W 100Kohm
Q 508	125-0199-96	KRA106S	R 252	116-1521-15	1/4WS 1.5Kohm	R 613	119-4731-15	1/16W 47Kohm
Q 510	125-2199-96	KRC106S	R 301	119-1041-15	1/16W 100Kohm	R 614	119-4731-15	1/16W 47Kohm
Q 511	125-3005-90	KTA1273	R 302	119-1041-15	1/16W 100Kohm	R 615	119-1031-15	1/16W 10Kohm
Q 602	125-2199-93	KRC103S	R 303	032-0140-64	1/10W 43Kohm(F)	R 616	119-4711-15	1/16W 470ohm
Q 604	125-3004-90	KTA1504S	R 304	032-0140-64	1/10W 43Kohm(F)	R 620	119-1031-15	1/16W 10Kohm
Q 606	125-2199-93	KRC103S	R 305	032-0140-64	1/10W 43Kohm(F)	R 621	116-1221-15	1/4WS 1.2Kohm
Q 607	125-3007-90	KTA1298	R 306	032-0140-64	1/10W 43Kohm(F)	R 622	119-1031-15	1/16W 10Kohm
Q 609	125-3007-90	KTA1298	R 307	119-1021-15	1/16W 1Kohm	R 624	116-1221-15	1/4WS 1.2Kohm
Q 610	125-2199-93	KRC103S	R 308	032-0140-52	1/10W 33Kohm(F)	R 627	119-1031-15	1/16W 10Kohm
Q 611	125-3004-90	KTA1504S	R 309	032-0140-52	1/10W 33Kohm(F)	R 628	116-1521-15	1/4WS 1.5Kohm
Q 612	125-4010-90	KTC3875S	R 310	032-0140-52	1/10W 33Kohm(F)	R 634	119-1031-15	1/16W 10Kohm
Q 620	125-2199-93	KRC103S	R 311	032-0140-52	1/10W 33Kohm(F)	R 635	119-3321-15	1/16W 3.3Kohm
R 3	119-1021-15	1/16W 1Kohm	R 320	119-1021-15	1/16W 1Kohm	R 642	119-1031-15	1/16W 10Kohm
R 4	119-1021-15	1/16W 1Kohm	R 470	119-4721-15	1/16W 4.7Kohm	R 643	119-5621-15	1/16W 5.6Kohm
R 7	119-1231-15	1/16W 12Kohm	R 471	119-4721-15	1/16W 4.7Kohm	R 652	119-1811-15	1/16W 180ohm
R 9	119-1031-15	1/16W 10Kohm	R 472	119-4721-15	1/16W 4.7Kohm	R 653	119-1811-15	1/16W 180ohm
R 14	119-1031-15	1/16W 10Kohm	R 473	119-4721-15	1/16W 4.7Kohm	R 654	119-1811-15	1/16W 180ohm
R 15	119-1031-15	1/16W 10Kohm	R 474	119-2231-15	1/16W 22Kohm	R 657	119-1811-15	1/16W 180ohm
R 17	119-5631-15	1/16W 56Kohm	R 475	119-2231-15	1/16W 22Kohm	R 658	119-1041-15	1/16W 100Kohm
R 18	119-1521-15	1/16W 1.5Kohm	R 476	119-3311-15	1/16W 330ohm	R 659	119-4731-15	1/16W 47Kohm
R 19	119-1521-15	1/16W 1.5Kohm	R 477	119-3311-15	1/16W 330ohm	R 660	119-1531-15	1/16W 15Kohm
R 22	119-1041-15	1/16W 100Kohm	R 478	119-3311-15	1/16W 330ohm	R 661	119-4731-15	1/16W 47Kohm
R 23	119-1031-15	1/16W 10Kohm	R 479	119-3311-15	1/16W 330ohm	R 662	119-2221-15	1/16W 2.2Kohm
R 24	119-2221-15	1/16W 2.2Kohm	R 480	119-1021-15	1/16W 1Kohm	R 663	119-1031-15	1/16W 10Kohm

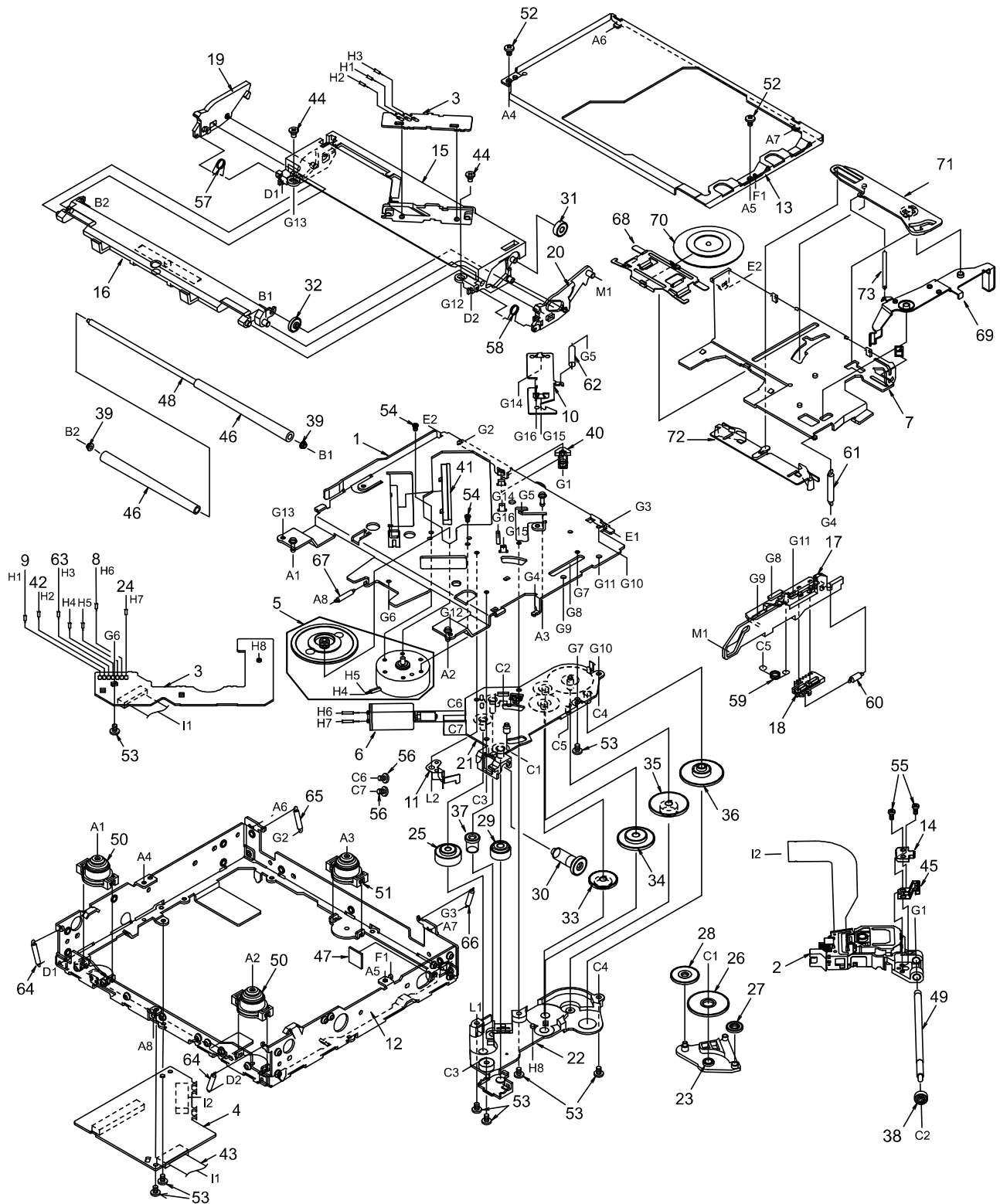
REF No.	PART No.	DESCRIPTION	REF No.	PART No.	DESCRIPTION	REF No.	PART No.	DESCRIPTION
R 664	119-2221-15	1/16W 2.2Kohm	R 697	119-1031-15	1/16W 10Kohm	X 2	061-1066-00	7.2MHZ
R 670	119-4731-15	1/16W 47Kohm	S 601	013-6103-00	SWITCH	X 601	060-1505-50	10MHZ
R 690	119-4721-15	1/16W 4.7Kohm	SUP 1	060-0122-91	DSP141N			
R 691	119-4721-15	1/16W 4.7Kohm	T 101	009-9006-60	CHOKE			

Switch PWB (B2) section

REF No.	PART No.	DESCRIPTION	REF No.	PART No.	DESCRIPTION	REF No.	PART No.	DESCRIPTION
C 702	168-4732-78	25V 0.047uF	PL 2	017-0444-00	14V 50MA	S 707	013-6312-50	SWITCH
C 703	168-4732-78	25V 0.047uF	PL 3	017-0444-00	14V 50MA	S 708	013-6312-50	SWITCH
C 704	042-0416-52	10V 10uF TAN	PL 4	017-0444-00	14V 50MA	S 709	013-6312-50	SWITCH
C 705	042-0416-52	10V 10uF TAN	R 701	119-1031-15	1/16W 10Kohm	S 711	013-6312-50	SWITCH
C 706	168-4732-78	25V 0.047uF	R 702	119-1011-15	1/16W 100ohm	S 712	013-6305-50	SWITCH
D 711	001-7046-00	DIODE	R 703	119-1021-15	1/16W 1Kohm	S 714	013-6507-50	SWITCH
D 712	001-0584-27	MA8110	R 704	119-3311-15	1/16W 330ohm	S 715	013-6312-50	SWITCH
D 713	001-0529-29	MA8051M	R 705	119-1041-15	1/16W 100Kohm	S 716	013-6507-50	SWITCH
D 714	001-0529-41	MA8075M	R 706	119-3921-15	1/16W 3.9Kohm	S 717	013-6312-50	SWITCH
D 715	001-0529-41	MA8075M	R 707	119-2711-15	1/16W 27ohm	S 718	013-6507-50	SWITCH
D 716	001-0529-41	MA8075M	S 701	013-6312-50	SWITCH	S 719	013-6312-50	SWITCH
D 717	001-0529-41	MA8075M	S 702	013-6312-50	SWITCH	S 720	013-6507-50	SWITCH
IC 701	051-6066-00	NJU6535	S 703	013-6312-50	SWITCH	S 721	013-6507-50	SWITCH
IR 701	060-4017-90	RS-671	S 704	013-6312-50	SWITCH	S 722	013-6312-50	SWITCH
P 703	076-0615-00	PLUG	S 705	013-6312-50	SWITCH	VR 720	016-9900-84	VR W/SHAFT
PL 1	017-0444-00	14V 50MA	S 706	013-6312-50	SWITCH			

EXPLODED VIEW:

CD mechanism section 929-0221-80



PARTS LIST:

CD mechanism section 929-0221-80

NO.	PARTS NO.	DESCRIPTION	QTY	NO.	PARTS NO.	DESCRIPTION	QTY
1	966-0595-25	DRIVE PLATE ASSY	1	37	621-0620-20	THREAD GEAR A	1
2	969-0065-30	PICK UP UNIT	1	38	621-0621-20	THREAD GEAR B	1
3	039-1944-21	LED PWB (WITHOUT COMPONENT)	1	39	621-0622-21	ROLLER SLEEVE	2
4	039-1945-20	CD PWB (WITHOUT COMPONENT)	1	40	621-0623-22	LS-HOLDER	1
5	SMA-182-100	MOTOR ASSY(SPINDLE)	1	41	621-0624-22	GUIDE RAIL	1
6	SMA-183-100	MOTOR ASSY(SLED)	1	42	816-2593-00	LEAD WIRE(PUR)	1
7	620-1022-24	CLAMPER LINK	1	43	816-2542-01	FLAT WIRE(10P)	1
8	803-4906-60	VINYL COAT WIRE(ORG)	1	44	716-3473-00	SCREW	2
9	816-2591-00	LEAD WIRE(YEL)	1	45	621-0709-20	SH-BASE	1
10	620-1025-22	ID-LOCK PLATE	1	46	621-0629-20	LOADING ROLLER	2
11	620-1026-21	SPRING PLATE	1	47	345-8704-20	CUSHION RUBBER	1
12	620-1027-25	LOWER CHASSIS	1	48	622-1571-21	ROLLER SHAFT	1
13	620-1028-22	UPPER CHASSIS	1	49	624-0018-01	LEAD SCREW	1
14	966-0638-20	SH-RACK-ASSY	1	50	629-0081-20	DAMPER F	2
15	621-0598-26	UPPER GUIDE	1	51	629-0082-20	DAMPER R	1
16	621-0599-25	ROLLER GUIDE	1	52	714-2003-81	MACHINE SCREW	2
17	621-0600-25	SHIFT LEVER	1	53	716-1507-00	SCREW	8
18	621-0601-21	RACK	1	54	716-1733-00	SCREW	2
19	621-0602-22	LOCK ARM(L)	1	55	716-3469-00	SCREW	2
20	621-0603-25	LOCK ARM(R)	1	56	716-3446-00	SCREW	2
21	621-0604-22	GEAR BASE	1	57	750-3465-21	ROLLER SPRING(L)	1
22	621-0605-22	GEAR COVER	1	58	750-3466-20	ROLLER SPRING(R)	1
23	621-0606-21	IDLE CASE	1	59	750-3467-21	SHIFT SPRING	1
24	816-2590-00	VINYL COAT WIRE(GRN)	1	60	750-3468-20	RACK SPRING	1
25	621-0608-21	SECOND GEAR	1	61	750-3469-20	CLAMPER SPRING	1
26	621-0609-20	BASE GEAR	1	62	750-3470-20	ID-LOCK SPRING	1
27	621-0610-20	IDLE GEAR A	1	63	816-2592-00	LEAD WIRE(BLU)	1
28	621-0611-20	IDLE GEAR B	1	64	750-3472-21	DR-SPRING F	2
29	621-0612-21	ROLLER GEAR A	1	65	750-3473-20	DR-SPRING RA	1
30	621-0613-20	ROLLER GEAR B	1	66	750-3474-20	DR-SPRING RB	1
31	621-0614-20	ROLLER GEAR C	1	67	750-3475-21	DR-SPRING C	1
32	621-0615-21	ROLLER GEAR D	1	68	620-1023-23	CLAMPER PLATE	1
33	621-0616-20	POWER GEAR A	1	69	620-1024-23	SENSOR ARM	1
34	621-0617-20	POWER GEAR B	1	70	621-0708-20	CLAMPER RING	1
35	621-0618-20	POWER GEAR C	1	71	621-0626-21	STOPPER LINK	1
36	621-0619-20	POWER GEAR D	1	72	621-0627-21	DISC STOPPER	1
				73	750-3471-20	SENSOR SPRING	1

ELECTRICAL PARTS LIST :

CD mechanism section 929-0221-80

REF No.	PART No.	DESCRIPTION	REF No.	PART No.	DESCRIPTION	REF No.	PART No.	DESCRIPTION
C 101	168-1042-78	0.1uF	C 209	168-1042-78	0.1uF	R 115	033-2211-15	1/16W 220 ohm
C 102	045-4701-50	47pF	C 210	043-0533-50	0.047uF	R 116	033-1031-15	1/16W 10k ohm
C 103	046-4722-58	4700pF	C 211	168-1042-78	0.1uF	R 117	033-1021-15	1/16W 1k ohm
C 104	168-1042-78	0.1uF	C 212	168-1042-78	0.1uF	R 131	033-4711-15	1/16W 470 ohm
C 105	046-1532-78	0.015uF	C 213	045-5096-50	5pF	R 132	033-2211-15	1/16W 220 ohm
C 106	046-1032-78	0.01uF	C 214	045-5601-50	56pF	R 201	117-2201-15	1/10W 22 ohm
C 107	046-1032-78	0.01uF	C 215	043-0533-50	0.047uF	R 202	117-2201-15	1/10W 22 ohm
C 108	046-4722-58	4700pF	C 216	178-1052-78	1uF	R 203	033-1041-15	1/16W 100k ohm
C 109	046-1522-58	1500pF	C 217	045-1011-50	100pF	R 204	033-1041-15	1/16W 100k ohm
C 110	046-3332-78	0.033uF	C 301	163-1073-35	16V 100uF	R 205	033-1541-15	1/16W 150k ohm
C 111	168-1042-78	0.1uF	C 302	168-1042-78	0.1uF	R 206	033-1541-15	1/16W 150k ohm
C 112	046-3332-78	0.033uF	C 303	043-0533-50	0.047uF	R 207	033-1041-15	1/16W 100k ohm
C 113	168-1042-78	0.1uF	D 201	001-0516-90	MA111	R 208	033-8231-15	1/16W 82k ohm
C 114	168-1042-78	0.1uF	IC 101	051-6376-00	TC94A14FA	R 209	033-6811-15	1/16W 680 ohm
C 115	046-4712-58	470pF	IC 102	051-3279-90	BA033LBSG	R 210	033-6831-15	1/16W 68k ohm
C 116	046-4712-58	470pF	IC 201	051-5710-90	TA2157F	R 211	033-1831-15	1/16W 18k ohm
C 117	043-0533-50	0.047uF	IC 301	051-6049-08	BA5983FP-E2	R 212	033-2721-15	1/16W 2.7k ohm
C 118	043-0533-50	0.047uF	J 101	074-1228-76	26P	R 213	033-1011-15	1/16W 100 ohm
C 119	045-2701-50	27pF	J 201	074-1138-65	15P	R 214	033-1021-15	1/16W 1k ohm
C 120	045-1801-50	18pF	J 301	074-1138-60	10P	R 215	033-1031-15	1/16W 10k ohm
C 121	163-1063-35	16V 10uF	L 101	010-2285-57	BLM21B102SPT	R 217	033-1041-15	1/16W 100k ohm
C 122	178-1052-78	1uF	L 102	010-2285-57	BLM21B102SPT	R 218	033-2211-15	1/16W 220 ohm
C 123	046-1032-78	0.01uF	L 103	010-2285-57	BLM21B102SPT	R 301	117-6811-15	1/16W 680 ohm
C 124	163-1073-05	4V 100uF	L 104	010-2285-57	BLM21B102SPT	R 304	033-3921-15	1/16W 3.9k ohm
C 125	168-1042-78	0.1uF	L 105	010-2285-57	BLM21B102SPT	R 305	033-3921-15	1/16W 3.9k ohm
C 126	168-1042-78	0.1uF	L 401	010-3050-93	10uH	R 306	033-1041-15	1/16W 100k ohm
C 129	178-1052-78	1uF	Q 201	131-1188-50	2SB1188	R 307	033-2211-15	1/16W 220 ohm
C 201	163-3363-05	4V 33uF	R 102	033-5621-15	1/16W 5.6k ohm	X 102	060-1528-90	16.934M
C 202	168-1042-78	0.1uF	R 104	033-4731-15	1/16W 47k ohm	D 1	001-7058-90	AN1105W-RR
C 203	178-1052-78	1uF	R 105	033-1041-15	1/16W 100k ohm	D 2	001-7058-90	AN1105W-RR
C 204	163-1073-05	4V 100uF	R 108	033-1531-15	1/16W 15k ohm	J 1	074-1138-60	10P
C 205	163-3363-05	4V 33uF	R 109	033-1031-15	1/16W 10k ohm	Q 1	060-4015-90	PS1192H
C 206	168-1042-78	0.1uF	R 110	033-1051-15	1/16W 1M ohm	Q 2	060-4015-90	PS1192H
C 207	043-0533-50	0.047uF	R 111	033-3321-15	1/16W 3.3k ohm	S 1	013-7414-50	CHUCKING
C 208	046-6822-58	6800pF	R 114	033-2211-15	1/16W 220 ohm	S 2	013-7413-50	LIMIT