

TK-7180H/7182H

PARTS LIST

* New Parts. Δ indicates safety critical components.

Parts without **Parts No.** are not supplied.

Les articles non mentionnés dans le **Parts No.** ne sont pas fournis.

Teile ohne **Parts No.** werden nicht geliefert.

L : Scandinavia

Y : PX (Far East, Hawaii)

Y : AAFES (Europe)

K : USA

T : England

X : Australia

P : Canada

E : Europe

M : Other Areas

TK-7180H (Y51-5020-11), TK-7182H (Y51-5080-11)

DISPLAY UNIT (X54-3480-10)

Ref. No.	Address	New parts	Parts No.	Description	Destination
TK-7180H/7182H					
1	1B,1D		A01-2194-11	METALLIC CABINET	
2	3A,3C		A62-1094-23	PANEL ASSY	
4	2A,2C		B09-0681-03	CAP (KAP-2)	
5	1F		B62-1848-00	INSTRUCTION MANUAL	
7	2B,2D		E04-0167-05	RF COAXIAL RECEPTACLE (M)	
8	2B,2D		E30-7520-05	DC CORD (PIG TAIL)	
9	2E		E30-7523-05	DC CORD ASSY (WATER-PROOF)	
10	2A,2C		E37-1110-15	FLAT CABLE (30P/D-SUB)	
11	1A,1C		E37-1118-05	LEAD WIRE WITH CONNECTOR (SHORT CABLE)	
12	2A,2C		E37-1120-15	FLAT CABLE (30P/TX-RX)	
13	3B,3D		E37-1124-05	LEAD WIRE WITH CONNECTOR (2P/SP)	
15	2B,2D		F10-2488-02	SHIELDING PLATE (CHASSIS)	
16	1A,1C		F10-2489-03	SHIELDING CASE (FINAL)	
17	1A,1C		F10-2490-03	SHIELDING CASE (VCO)	
18	1E		F52-0024-05	FUSE (BLADE TYPE) 15A/32V	
19	3B,3D		G02-1824-04	EARTH SPRING	SK
20	3B,3D		G10-1342-04	FIBROUS SHEET (BIRITSUKI)	
21	2A,2C		G11-4290-04	RUBBER SHEET (CHASSIS)	
22	1B,1D		G11-4343-04	SHEET (CABINET)	
23	1A,1C		G13-2018-04	CUSHION	
24	2B,2D		G13-2047-04	CUSHION (DC SCREW)	
25	1B,1D		G53-1613-01	PACKING (SHIELD PLATE)	
27	1A,1C		G53-1616-03	PACKING (PHONE JACK)	
28	2B,2D		G53-1626-03	PACKING (D-SUB OUTER)	
29	2B,2D		G53-1643-04	PACKING (DC CORD)	
30	2B,2D		G53-1645-03	PACKING (D-SUB INNER)	
31	2A,2C		G53-1662-04	PACKING (ANT M TYPE)	
32	3A,3C		G53-1676-03	PACKING (CHASSIS)	
33	2E		H02-0624-03	INNER CARTON CASE	
34	2F		H12-3170-01	PACKING FIXTURE (LOWER)	
35	1F		H12-3171-03	PACKING FIXTURE (UPPER)	
37	3F	*	H52-2094-03	ITEM CARTON CASE	SK
37	3F	*	H52-2101-03	ITEM CARTON CASE	K
39	1E		J19-1584-05	HOLDER (ACCESSORY)	
40	3B,3D		J19-5464-13	HOLDER (SP)	
41	3B,3D		J19-5485-02	HOLDER (PANEL)	
42	2B,2D		J21-8479-02	HARDWARE FIXTURE (D-SUB)	
43	3B,3D		J21-8481-03	HARDWARE FIXTURE (SP)	
44	2E		J29-0662-03	BRACKET (ACCESSORY)	
45	3B,3D		J30-1289-04	SPACER (SP)	
47	3A,3C		K29-9349-01	KEY TOP	
A	2B,2D		N09-2409-05	HEXAGON HEAD SCREW (D-SUB)	
B	1A,1C		N67-3008-48	PAN HEAD SEMS SCREW (FINAL IC)	
C	1A,1C		N87-2606-48	BRAZIER HEAD TAPTITE SCREW (ANT, PCB)	
D	1A,1C		N87-2608-43	BRAZIER HEAD TAPTITE SCREW (AUDIO IC)	
49	2E		N99-2039-05	SCREW SET (ACCESSORY)	
51	3B,3D		T07-0757-05	SPEAKER	
52	1E		T91-0639-05	MICROPHONE (ACCESSORY)	
54	2A		W09-0971-05	LITHIUM CELL	K

Ref. No.	Address	New parts	Parts No.	Description	Destination
DISPLAY UNIT (X54-3480-10) : TK-7180H					
101	3B		B11-1825-04	FILTER (LCD)	
102	3B		B38-0888-15	LCD	
D907			B30-2151-05	LED (R/G)	
D909-920			B30-2281-05	LED (Y)	
D921-930			B30-2282-05	LED (Y)	
C907,908			CK73HB1H102K	CHIP C 1000PF	K
C909			CK73GB1H222K	CHIP C 2200PF	K
C910,911			CC73GCH1H101J	CHIP C 100PF	J
C912,913			CK73GB1H102K	CHIP C 1000PF	K
C914			CC73GCH1H101J	CHIP C 100PF	J
C916,917			CK73GB1C104K	CHIP C 0.10UF	K
C918			C92-0628-05	CHIP-TAN 10UF	10WV
C920			CC73GCH1H101J	CHIP C 100PF	J
C921			CK73GB1H102K	CHIP C 1000PF	K
C922			CK73GB1H103K	CHIP C 0.010UF	K
C924,925			CC73GCH1H100D	CHIP C 10PF	D
C926-928			CK73GB1H102K	CHIP C 1000PF	K
C930			CK73GB1H103K	CHIP C 0.010UF	K
C931			C92-0784-05	CHIP-TAN 4.7UF	10WV
C932-934			CK73GB1H103K	CHIP C 0.010UF	K
C935			CK73GB1H471K	CHIP C 470PF	K
C936			CK73GB1C104K	CHIP C 0.10UF	K
C937			CK73GB1H103K	CHIP C 0.010UF	K
C938			CK73GB1H102K	CHIP C 1000PF	K
104	3B		E29-1202-04	INTER CONNECTOR (LCD)	
CN901			E40-5704-05	PIN ASSY	
CN902			E40-6372-05	FLAT CABLE CONNECTOR	
J901	3B		E08-0877-05	MODULAR JACK	
107	3B		J19-5467-03	HOLDER (LCD)	
108	3B		J21-8470-03	MOUNTING HARDWARE (LCD)	
-			J31-0551-05	COLLAR	
L901,902			L40-1095-85	SMALL FIXED INDUCTOR (1.0UH)	
L903-907			L92-0140-05	CHIP FERRITE	
L908,909			L92-0163-05	BEADS CORE	
X901			L77-1956-05	CRYSTAL RESONATOR (14.7456MHZ)	
CP901-911			RK75HA1J101J	CHIP-COM 100	J 1/16W
R901			RK73GB2A102J	CHIP R 1.0K	J 1/10W
R903			RK73GB2A000JX	CHIP R 0.0	J 1/10W
R904			RK73GB2A102J	CHIP R 1.0K	J 1/10W
R905			RK73GB2A472J	CHIP R 4.7K	J 1/10W
R907			RK73GB2A333J	CHIP R 33K	J 1/10W
R909-911			RK73GB2A473J	CHIP R 47K	J 1/10W
R913-916			RK73HB1J474J	CHIP R 470K	J 1/16W
R917			RK73FB2B471J	CHIP R 470	J 1/8W
R918			RK73FB2B271J	CHIP R 270	J 1/8W
R919			RK73HB1J102J	CHIP R 1.0K	J 1/16W
R920			RK73HB1J000JX	CHIP R 0.0	J 1/16W
R925			RK73HB1J471J	CHIP R 470	J 1/16W
R926			RK73HB1J473J	CHIP R 47K	J 1/16W
R927-935			RK73HB1J102J	CHIP R 1.0K	J 1/16W
R936			RK73HB1J103J	CHIP R 10K	J 1/16W
R939			RK73GB2A472J	CHIP R 4.7K	J 1/10W
R940			RK73HB1J101J	CHIP R 100	J 1/16W

PARTS LIST

DISPLAY UNIT (X54-3480-10)

DISPLAY UNIT (X54-3540-10)

TX-RX UNIT (X57-6980-XX)

Ref. No.	Address	New parts	Parts No.	Description	Desti-nation
R941			RK73HB1J102J	CHIP R 1.0K J 1/16W	
R942		*	RK73EB2E470J	CHIP R 47 J 1/4W	
R943			RK73EB2E101J	CHIP R 100 J 1/4W	
R944			RK73HB1J000JX	CHIP R 0.0 J 1/16W	
R945			RK73GB2A103J	CHIP R 10K J 1/10W	
R947-950			RK73FB2B101J	CHIP R 100 J 1/8W	
R951,952			RK73FB2B391J	CHIP R 390 J 1/8W	
R953,954			RK73FB2B821J	CHIP R 820 J 1/8W	
R955-958			RK73HB1J472J	CHIP R 4.7K J 1/16W	
R959			RK73HB1J103J	CHIP R 10K J 1/16W	
R962,963			RK73GB2A103J	CHIP R 10K J 1/10W	
R967			RK73HB1J271J	CHIP R 270 J 1/16W	
R969			RK73HB1J000JX	CHIP R 0.0 J 1/16W	
R970			RK73GB2A103J	CHIP R 10K J 1/10W	
R971			RK73HB1J102J	CHIP R 1.0K J 1/16W	
D901,902			02DZ18(X,Y)	ZENER DIODE	
D903			MINISMD0C020	VARIATOR	
D905			DA204U	DIODE	
D931-933			AVRM1608080MAA	VARIATOR	
IC901			TA78L05F	MOS-IC	
IC902			30302M88Z7GU	MICROCONTROLLER IC	
IC903			LC75810T-8726	MOS-IC	
Q901,902			DTC144EE	DIGITAL TRANSISTOR	
Q904-906			DTC114EE	DIGITAL TRANSISTOR	
Q907			2SC2873(Y)	TRANSISTOR	
Q909,910			12A02CH	TRANSISTOR	
Q911			DTC114EE	DIGITAL TRANSISTOR	
Q913			DTC114EE	DIGITAL TRANSISTOR	
TH901			S1R103J440H	THERMISTOR	
DISPLAY UNIT (X54-3540-10) : TK-7182H					
101	3D		B11-1825-04	FILTER (LCD)	
103	3D		B38-0915-05	LCD	
D908			B30-2151-05	LED (R/G)	
D909-920			B30-2281-05	LED (Y)	
D921-930			B30-2282-05	LED (Y)	
C901			CK73GB1H102K	CHIP C 1000PF K	
C904			CK73GB1C104K	CHIP C 0.10UF K	
C905			CC73GCH1H101J	CHIP C 100PF J	
C906			CK73GB1H102K	CHIP C 1000PF K	
C908-910			CC73GCH1H101J	CHIP C 100PF J	
C911-915			CK73GB1H102K	CHIP C 1000PF K	
C916			CK73GB1E104K	CHIP C 0.10UF K	
C917			C92-0838-05	CHIP-TAN 10UF 10WV	
C918			CK73GB1E104K	CHIP C 0.10UF K	
C919			C92-0784-05	CHIP-TAN 4.7UF 10WV	
C920-922			CK73GB1H103K	CHIP C 0.010UF K	
C923			CK73GB1H681K	CHIP C 680PF K	
C924,925			CK73GB1H102K	CHIP C 1000PF K	
105	3D		E29-1207-04	INTER CONNECTOR (LCD)	
CN901			E40-5704-05	PIN ASSY	
CN902			E40-6372-05	FLAT CABLE CONNECTOR	
J901	3D		E08-0877-05	MODULAR JACK	
107	3D		J19-5467-03	HOLDER (LCD)	
108	3D		J21-8470-03	MOUNTING HARDWARE (LCD)	
-			J31-0551-05	COLLAR	
L901,902			L40-1095-85	SMALL FIXED INDUCTOR (1.0UH)	
L903-909			L92-0140-05	CHIP FERRITE	
R901			RK73GB2A471J	CHIP R 470 J 1/10W	
R902			RK73GB2A000JX	CHIP R 0.0 J 1/10W	
R903			RK73GB2A102J	CHIP R 1.0K J 1/10W	
R904			RK73GB2A472J	CHIP R 4.7K J 1/10W	
R905			RK73GB2A333J	CHIP R 33K J 1/10W	
R906			RK73GB2A222J	CHIP R 2.2K J 1/10W	
R907			RK73GB2A103J	CHIP R 10K J 1/10W	
R908			RK73GB2A222J	CHIP R 2.2K J 1/10W	
R909,910			RK73GB2A103J	CHIP R 10K J 1/10W	
R911-915			RK73GB2A472J	CHIP R 4.7K J 1/10W	
R916			RK73GB2A563J	CHIP R 56K J 1/10W	
R917			RK73FB2B471J	CHIP R 470 J 1/8W	
R918			RK73FB2B271J	CHIP R 270 J 1/8W	
R919,920			RK73GB2A103J	CHIP R 10K J 1/10W	
R921			RK73GB2A474J	CHIP R 470K J 1/10W	
R922,923			RK73EB2E101J	CHIP R 100 J 1/4W	
R924-927			RK73FB2B101J	CHIP R 100 J 1/8W	
R928,929			RK73FB2B391J	CHIP R 390 J 1/8W	
R930,931			RK73FB2B821J	CHIP R 820 J 1/8W	
R932-936			RK73GB2A000JX	CHIP R 0.0 J 1/10W	
D902			02DZ18(X,Y)	ZENER DIODE	
D903			MINISMD0C020	VARIATOR	
D904			1S388	DIODE	
D906			DA204U	DIODE	
D931-933			AVRM1608080MAA	VARIATOR	
IC901			XC6201P502PR	MOS-IC	
IC902			LC75854W	MOS-IC	
Q901			DTC144EE	DIGITAL TRANSISTOR	
Q902			12A02CH	TRANSISTOR	
Q903			DTC144EE	DIGITAL TRANSISTOR	
Q904-907			DTC114EE	DIGITAL TRANSISTOR	
Q908			12A02CH	TRANSISTOR	
Q909			2SK2009	FET	
TX-RX UNIT (X57-6980-XX) -12 : K -13 : SK					
C1			CK73GB1H102K	CHIP C 1000PF K	
C2-5			CK73GB1H471K	CHIP C 470PF K	
C6			C92-0585-05	CHIP-TAN 4.7UF 16WV	
C7,8			CK73GB1H471K	CHIP C 470PF K	
C9			CC73GCH1H330J	CHIP C 33PF J	
C10			CK73GB1H471K	CHIP C 470PF K	
C13-15			CK73GB1H471K	CHIP C 470PF K	
C16			CC73GCH1H560J	CHIP C 56PF J	
C17			CC73GCH1H220J	CHIP C 22PF J	
C18			CK73GB1H471K	CHIP C 470PF K	
C19			CC73GCH1H470J	CHIP C 47PF J	
C20			CC73GCH1H101J	CHIP C 100PF J	
C21			CK73FB1H471K	CHIP C 470PF K	
C22			CK73GB1H471K	CHIP C 470PF K	
C24			C92-0606-05	CHIP-TAN 4.7UF 10WV	
C26			CC73GCH1H220J	CHIP C 22PF J	
C27			CC73GCH1H470J	CHIP C 47PF J	
C28			CC73GCH1H101J	CHIP C 100PF J	
C29-31			CK73GB1H471K	CHIP C 470PF K	

K : TK-7180H(K) SK : TK-7182H(K)

PARTS LIST

TX-RX UNIT (X57-6980-XX)

Ref. No.	Address	New parts	Parts No.	Description	Destination	Ref. No.	Address	New parts	Parts No.	Description	Destination
C32			C92-0834-05	ELECTRO 47UF 25WV		C150			CC73GCH1H090D	CHIP C 9.0PF D	
C33-35			CC73GCH1H101J	CHIP C 100PF J		C171			CC73GCH1H150J	CHIP C 15PF J	
C38-40			CK73GB1H471K	CHIP C 470PF K		C172			CC73GCH1H2R5C	CHIP C 2.5PF C	
C43			CC73FCH1H270J	CHIP C 27PF J		C173			CC73GCH1H220J	CHIP C 22PF J	
C44			C93-0573-05	CHIP C 120PF J		C174			CC73GCH1H070D	CHIP C 7.0PF D	
C45			CM73F2H390J	CHIP C 39PF J		C175			CC73GCH1H120J	CHIP C 12PF J	
C47			CC73GCH1H0R3B	CHIP C 0.3PF B		C176-178			CK73GB1H102K	CHIP C 1000PF K	
C48			CC73GCH1H040B	CHIP C 4.0PF B		C181			CK73GB1H102K	CHIP C 1000PF K	
C49			CK73GB1H471K	CHIP C 470PF K		C182,183			CK73GB1H103K	CHIP C 0.010UF K	
C50			CM73F2H220J	CHIP C 22PF J		C184			CK73GB1H102K	CHIP C 1000PF K	
C51			CK73GB1H471K	CHIP C 470PF K		C185			CK73GB1H103K	CHIP C 0.010UF K	
C52			CM73F2H150J	CHIP C 15PF J		C186			CC73GCH1H330J	CHIP C 33PF J	
C53			CM73F2H270J	CHIP C 27PF J		C187			CC73GCH1H390J	CHIP C 39PF J	
C55			C93-0561-05	CHIP C 12PF J		C188,189			CC73GCH1H040B	CHIP C 4.0PF B	
C56			C93-0562-05	CHIP C 15PF J		C190			CC73GCH1H390J	CHIP C 39PF J	
C57			CC73GCH1H0R3B	CHIP C 0.3PF B		C192-194			CK73GB1H103K	CHIP C 0.010UF K	
C58			CC73GCH1H030B	CHIP C 3.0PF B		C195			CK73GB1H102K	CHIP C 1000PF K	
C59			CK73GB1H471K	CHIP C 470PF K		C196,197			CK73GB1H103K	CHIP C 0.010UF K	
C60			C93-0562-05	CHIP C 15PF J		C198			CC73GCH1H680J	CHIP C 68PF J	
C61			CK73GB1H471K	CHIP C 470PF K		C199			CC73GCH1H390J	CHIP C 39PF J	
C63			CC73GCH1H220J	CHIP C 22PF J		C200,201			CC73GCH1H040B	CHIP C 4.0PF B	
C64			CC73GCH1H090D	CHIP C 9.0PF D		C202			CC73GCH1H390J	CHIP C 39PF J	
C65			CC73GCH1H220J	CHIP C 22PF J		C204-206			CK73GB1H103K	CHIP C 0.010UF K	
C74			CK73GB1H471K	CHIP C 470PF K		C207			CK73GB1H102K	CHIP C 1000PF K	
C76,77			CK73GB1H471K	CHIP C 470PF K		C208,209			CK73GB1H103K	CHIP C 0.010UF K	
C79,80			CK73GB1H471K	CHIP C 470PF K		C210			CC73GCH1H680J	CHIP C 68PF J	
C82			CC73GCH1H0R3B	CHIP C 0.3PF B		C211			CC73GCH1H100D	CHIP C 10PF D	
C83			CC73GCH1H050B	CHIP C 5.0PF B		C212			CK73GB1H471K	CHIP C 470PF K	
C84			CK73GB1H471K	CHIP C 470PF K		C213			CK73GB1H103K	CHIP C 0.010UF K	
C87,88			CC73GCH1H330J	CHIP C 33PF J		C214			CK73GB1C104K	CHIP C 0.10UF K	
C102			CK73GB1H102K	CHIP C 1000PF K		C215			CC73GCH1H180J	CHIP C 18PF J	
C108			CC73GCH1H270J	CHIP C 27PF J		C216			CC73GCH1H150J	CHIP C 15PF J	
C109			CC73GCH1H160J	CHIP C 16PF J		C217			CK73GB1H102K	CHIP C 1000PF K	
C110			CC73GCH1H820J	CHIP C 82PF J		C218			CK73GB1H103K	CHIP C 0.010UF K	
C111			CC73GCH1H470J	CHIP C 47PF J		C219			CK73FB1C105K	CHIP C 1.0UF K	
C112			CC73GCH1H220J	CHIP C 22PF J		C220,221			CK73GB1C104K	CHIP C 0.10UF K	
C113			CC73GCH1H100D	CHIP C 10PF D		C222			CK73GB1H102K	CHIP C 1000PF K	
C115			CC73GCH1H180J	CHIP C 18PF J		C223			CK73GB1H103K	CHIP C 0.010UF K	
C116			CC73GCH1H150J	CHIP C 15PF J		C224,225			CC73GCH1H271J	CHIP C 270PF J	
C119,120			CK73GB1H102K	CHIP C 1000PF K		C226,227			CK73GB1H102K	CHIP C 1000PF K	
C123			CK73GB1C104K	CHIP C 0.10UF K		C228			CK73GB1C104K	CHIP C 0.10UF K	
C124			CC73GCH1H070D	CHIP C 7.0PF D		C229			CK73GB1C333K	CHIP C 0.033UF K	
C125-127			CK73GB1H102K	CHIP C 1000PF K		C230			CK73GB1H103K	CHIP C 0.010UF K	
C128			CC73GCH1H120J	CHIP C 12PF J		C231			CC73GCH1H820J	CHIP C 82PF J	
C129			CK73GB1H102K	CHIP C 1000PF K		C232,233			CK73GB1H102K	CHIP C 1000PF K	
C130			CC73GCH1H120J	CHIP C 12PF J		C234			CK73FB1C224K	CHIP C 0.22UF K	
C131,132			CK73GB1H102K	CHIP C 1000PF K		C235			CK73GB1C104K	CHIP C 0.10UF K	
C133			CC73GCH1H120J	CHIP C 12PF J		C236			CK73GB1H103K	CHIP C 0.010UF K	
C134			CC73GCH1H100D	CHIP C 10PF D		C237			C92-0712-05	CHIP-TAN 22UF 6.3WV	
C135			CK73GB1H102K	CHIP C 1000PF K		C238			CK73GB1H103K	CHIP C 0.010UF K	
C136			CC73GCH1H120J	CHIP C 12PF J		C239,240			CK73GB1C104K	CHIP C 0.10UF K	
C137			CK73GB1H102K	CHIP C 1000PF K		C241			CK73GB1H102K	CHIP C 1000PF K	
C138			CC73GCH1H120J	CHIP C 12PF J		C251,252			CK73GB1H102K	CHIP C 1000PF K	
C139,140			CK73GB1H102K	CHIP C 1000PF K		C253			CK73GB1H103K	CHIP C 0.010UF K	
C141			CC73GCH1H120J	CHIP C 12PF J		C255			C92-0694-05	CHIP-TAN 10UF 16WV	
C142			CC73GCH1H330J	CHIP C 33PF J		C256			CK73GB1H103K	CHIP C 0.010UF K	
C144			CK73GB1H103K	CHIP C 0.010UF K		C257			C92-0519-05	CHIP-TAN 1.0UF 25WV	
C145			CK73GB1H102K	CHIP C 1000PF K		C258			C92-0516-05	CHIP-TAN 4.7UF 16WV	
C146			CC73GCH1H220J	CHIP C 22PF J		C259			C92-0628-05	CHIP-TAN 10UF 10WV	
C149			CK73GB1H102K	CHIP C 1000PF K		C299			C92-0713-05	CHIP-TAN 10UF 6.3WV	

PARTS LIST

TX-RX UNIT (X57-6980-XX)

Ref. No.	Address	New parts	Parts No.	Description	Desti-nation	Ref. No.	Address	New parts	Parts No.	Description	Desti-nation
C301			CC73GCH1H101J	CHIP C 100PF J		C394			CC73GCH1H220J	CHIP C 22PF J	
C303			CK73GB1H102K	CHIP C 1000PF K		C395			CK73GB1C104K	CHIP C 0.10UF K	
C304			CC73GCH1H220J	CHIP C 22PF J		C396,397			CK73GB1H102K	CHIP C 1000PF K	
C305			C92-0507-05	CHIP-TAN 4.7UF 6.3WV		C400			CK73FB1H123K	CHIP C 0.012UF K	
C307-309			CK73GB1H102K	CHIP C 1000PF K		C403			CK73HB1A104K	CHIP C 0.10UF K	K
C311			CK73GB1H102K	CHIP C 1000PF K		C404			CC73HCH1H050C	CHIP C 5.0PF C	K
C312			C92-0001-05	CHIP-TAN 0.1UF 35WV		C406			CC73GCH1H0R3B	CHIP C 0.3PF B	
C313			CK73GB1C104K	CHIP C 0.10UF K		C407			CK73GB1H103K	CHIP C 0.010UF K	
C314			CK73FB1E683K	CHIP C 0.068UF K		C408,409			CC73HCH1H150G	CHIP C 15PF G	
C315-317			CK73GB1H102K	CHIP C 1000PF K		C410-412			CK73GB1C104K	CHIP C 0.10UF K	
C318			C92-0657-05	CHIP-TAN 2.2UF 20WV		C413			CC73GCH1H102J	CHIP C 1000PF J	
C319			CK73GB1H102K	CHIP C 1000PF K		C420,421			CC73GCH1H101J	CHIP C 100PF J	
C320			C92-0657-05	CHIP-TAN 2.2UF 20WV		C422			CK73GB1H102K	CHIP C 1000PF K	
C321			CK73GB1C104K	CHIP C 0.10UF K		C423			CK73FF1C105Z	CHIP C 1.0UF Z	
C322			CC73GCH1H390J	CHIP C 39PF J		C424			CK73GB1H102K	CHIP C 1000PF K	
C323			CC73GCH1H330J	CHIP C 33PF J		C425-428			CC73GCH1H101J	CHIP C 100PF J	
C324			CC73GCH1H120J	CHIP C 12PF J		C429			CK73GB1A105K	CHIP C 1.0UF K	
C325			CC73GCH1H3R5B	CHIP C 3.5PF B		C430,431			CC73GCH1H101J	CHIP C 100PF J	
C326			CC73GCH1H020B	CHIP C 2.0PF B		C432			CK73GB1H102K	CHIP C 1000PF K	
C327			CK73FB1E224K	CHIP C 0.22UF K		C433			CK73GB1C104K	CHIP C 0.10UF K	
C331			CK73GB1H102K	CHIP C 1000PF K		C434			CK73GB1H561K	CHIP C 560PF K	
C332,333			CC73GCH1H390J	CHIP C 39PF J		C435			CK73GB1H102K	CHIP C 1000PF K	
C334			CC73GCH1H150J	CHIP C 15PF J		C436,437			CC73GCH1H101J	CHIP C 100PF J	
C335			CK73GB1C223K	CHIP C 0.022UF K		C438			CK73GB1E103K	CHIP C 0.010UF K	
C336			CK73GB1C104K	CHIP C 0.10UF K		C439			CK73GB1H102K	CHIP C 1000PF K	
C337			CK73GB1H102K	CHIP C 1000PF K		C440			CK73GB1C104K	CHIP C 0.10UF K	
C338			C92-0001-05	CHIP-TAN 0.1UF 35WV		C441			CK73FB0J106K	CHIP C 10UF K	
C339			CK73GB1H102K	CHIP C 1000PF K		C442			CK73GB1C104K	CHIP C 0.10UF K	
C340			CC73GCH1H270J	CHIP C 27PF J		C443			CK73GB1H103K	CHIP C 0.010UF K	
C342			CK73GB1H102K	CHIP C 1000PF K		C444			CC73GCH1H390J	CHIP C 39PF J	
C343			C92-0628-05	CHIP-TAN 10UF 10WV		C445			CC73GCH1H150J	CHIP C 15PF J	
C346			CC73GCH1H101G	CHIP C 100PF G		C446			CK73GB1H103K	CHIP C 0.010UF K	
C347			CC73GCH1H680G	CHIP C 68PF G		C447			CK73HB1A333K	CHIP C 0.033UF K	
C350			CC73GCH1H470G	CHIP C 47PF G		C448			CC73GCH1H101J	CHIP C 100PF J	
C352			CC73GCH1H150G	CHIP C 15PF G		C450			CK73FB0J106K	CHIP C 10UF K	
C353			CK73GB1H102K	CHIP C 1000PF K		C451			CK73GB1H103K	CHIP C 0.010UF K	
C354			CC73GCH1H560G	CHIP C 56PF G		C452			CC73GCH1H101J	CHIP C 100PF J	
C355			CC73GCH1H130G	CHIP C 13PF G		C453			CK73GB1C104K	CHIP C 0.10UF K	
C356			CC73GCH1HR75B	CHIP C 0.75PF B		C454			CK73GB1H103K	CHIP C 0.010UF K	
C357			CC73GCH1H150G	CHIP C 15PF G		C455			C92-0589-05	CHIP-TAN 47UF 6.3WV	
C358			CC73GCH1H100C	CHIP C 10PF C		C457			CK73GB1H471K	CHIP C 470PF K	
C359			CC73GCH1H090B	CHIP C 9.0PF B		C459			C92-0628-05	CHIP-TAN 10UF 10WV	
C360			CC73GCH1H150G	CHIP C 15PF G		C460-463			CK73GB1H103K	CHIP C 0.010UF K	
C361-363			CK73GB1H102K	CHIP C 1000PF K		C464			CK73HB1A333K	CHIP C 0.033UF K	
C364,365			CC73GCH1H010B	CHIP C 1.0PF B		C465			CC73GCH1H220J	CHIP C 22PF J	
C367-369			CK73GB1H102K	CHIP C 1000PF K		C467,468			CK73GB1H103K	CHIP C 0.010UF K	
C370			CK73GB1H471K	CHIP C 470PF K		C469			CK73GB1C104K	CHIP C 0.10UF K	
C371			C92-0560-05	CHIP-TAN 10UF 6.3WV		C470			CK73GB1H103K	CHIP C 0.010UF K	
C372			CC73GCH1H150J	CHIP C 15PF J		C472			CK73GB1C104K	CHIP C 0.10UF K	
C373-378			CK73GB1H102K	CHIP C 1000PF K		C475			CC73GCH1H101J	CHIP C 100PF J	
C379			CC73GCH1H150J	CHIP C 15PF J		C476			CK73GB1C104K	CHIP C 0.10UF K	
C380			CK73GB1H471K	CHIP C 470PF K		C478			CC73HCH1H101J	CHIP C 100PF J	
C381			CK73GB1H102K	CHIP C 1000PF K		C479,480			CK73GB1H102K	CHIP C 1000PF K	
C382			CK73GB1H103K	CHIP C 0.010UF K		C481			CK73HB1H102K	CHIP C 1000PF K	
C383			CK73GB1H102K	CHIP C 1000PF K		C482			CK73FB1A475K	CHIP C 4.7UF K	
C384			CK73GB1H103K	CHIP C 0.010UF K		C483			CK73GB1H103K	CHIP C 0.010UF K	
C385			CK73GB1H471K	CHIP C 470PF K		C484			CK73FB1A475K	CHIP C 4.7UF K	
C387,388			CK73GB1H102K	CHIP C 1000PF K		C485			CK73FB1H183K	CHIP C 0.018UF K	
C390-392			CK73GB1H102K	CHIP C 1000PF K		C487			CK73HB1H102K	CHIP C 1000PF K	
C393			CC73GCH1H270J	CHIP C 27PF J		C489			CK73GB1C104K	CHIP C 0.10UF K	

K : TK-7180H(K) SK : TK-7182H(K)

PARTS LIST

TX-RX UNIT (X57-6980-XX)

Ref. No.	Address	New parts	Parts No.	Description	Destination	Ref. No.	Address	New parts	Parts No.	Description	Destination
C490			CK73HB1H102K	CHIP C 1000PF K		C583			CK73GB1H471K	CHIP C 470PF K	
C491,492			CK73GB1C104K	CHIP C 0.10UF K		C584			CC73GCH1H680J	CHIP C 68PF J	
C493			CK73FB1A475K	CHIP C 4.7UF K		C585-587			CC73GCH1H101J	CHIP C 100PF J	
C496			CK73GB1C104K	CHIP C 0.10UF K		C588			CK73GB1H102K	CHIP C 1000PF K	
C497			CK73GB1H102K	CHIP C 1000PF K		C591			CK73GB1C104K	CHIP C 0.10UF K	
C498			CC73HCH1H101J	CHIP C 100PF J		C592,593			CC73GCH1H070D	CHIP C 7.0PF D	
C499			CK73GB1H821K	CHIP C 820PF K		C594			CK73HB1H102K	CHIP C 1000PF K	
C500			CC73HCH1H101J	CHIP C 100PF J		C595			CC73GCH1H101J	CHIP C 100PF J	
C501			CC73GCH1H220J	CHIP C 22PF J		C596			CK73GB1C104K	CHIP C 0.10UF K	
C502			CK73HB1H102K	CHIP C 1000PF K		C597,598			CK73GB1H103K	CHIP C 0.010UF K	
C503			CC73GCH1H680J	CHIP C 68PF J		C701			CK73GB1H102K	CHIP C 1000PF K	
C504			CK73HB1H102K	CHIP C 1000PF K		C702-704			CC73GCH1H101J	CHIP C 100PF J	
C505,506			CK73GB1A105K	CHIP C 1.0UF K		C705-711			CK73GB1H102K	CHIP C 1000PF K	
C507			CK73GB1C104K	CHIP C 0.10UF K		C712			CC73GCH1H101J	CHIP C 100PF J	
C511-513			CK73GB1C104K	CHIP C 0.10UF K		C713			CK73GB1H102K	CHIP C 1000PF K	
C514			CC73GCH1H820J	CHIP C 82PF J		C714,715			CC73GCH1H101J	CHIP C 100PF J	
C515,516			CK73HB1H102K	CHIP C 1000PF K		C716,717			CK73GB1H102K	CHIP C 1000PF K	
C517			CK73GB1H103K	CHIP C 0.010UF K		C718-720			CC73GCH1H101J	CHIP C 100PF J	
C518			CK73GB1C104K	CHIP C 0.10UF K		C721			CK73GB1H102K	CHIP C 1000PF K	
C519,520			CK73GB1H102K	CHIP C 1000PF K		C722,723			CC73GCH1H101J	CHIP C 100PF J	
C524			CK73GB1H102K	CHIP C 1000PF K		C801			C92-0777-05	ELECTRO 1000UF 25WV	
C525,526			CK73GB1C104K	CHIP C 0.10UF K		C802			CK73GB1H102K	CHIP C 1000PF K	
C528			CK73GB1H222K	CHIP C 2200PF K		C803			CK73GB1E473J	CHIP C 0.047UF J	
C529			CC73GCH1H470J	CHIP C 47PF J		C804			CC73GCH1H471J	CHIP C 470PF J	
C530			CK73FB0J106K	CHIP C 10UF K		C805			CK73GB1H102K	CHIP C 1000PF K	
C531			CK73GB1H102K	CHIP C 1000PF K		C806			CC73GCH1H101J	CHIP C 100PF J	
C532			CK73GB1E123K	CHIP C 0.012UF K		C807			CK73GB1E473J	CHIP C 0.047UF J	
C533			CK73GB1E153K	CHIP C 0.015UF K		C808			CK73GB1C104K	CHIP C 0.10UF K	
C534			CK73GB1H102K	CHIP C 1000PF K		C809			CC73GCH1H471J	CHIP C 470PF J	
C535			CK73GB1C683K	CHIP C 0.068UF K		C810			CK73GB1E473J	CHIP C 0.047UF J	
C536,537			CK73GB1C104K	CHIP C 0.10UF K		C811,812			CK73GB1C104K	CHIP C 0.10UF K	
C538			CK73GB1H102K	CHIP C 1000PF K		C813,814			CC73GCH1H471J	CHIP C 470PF J	
C539,540			C92-0628-05	CHIP-TAN 10UF 10WV		C815			C92-0585-05	CHIP-TAN 4.7UF 16WV	
C541			CK73GB1C104K	CHIP C 0.10UF K		C816			C92-0628-05	CHIP-TAN 10UF 10WV	
C542			CK73GB1H102K	CHIP C 1000PF K		C817			CC73GCH1H471J	CHIP C 470PF J	
C543,544			C92-0628-05	CHIP-TAN 10UF 10WV		C818			CK73GB1H472K	CHIP C 4700PF K	
C545			CK73HB1H102K	CHIP C 1000PF K		C819,820			CK73GB1C104K	CHIP C 0.10UF K	
C546			CK73GB1H103K	CHIP C 0.010UF K		C821			C92-0585-05	CHIP-TAN 4.7UF 16WV	
C547-549			CK73HB1H102K	CHIP C 1000PF K		C822			CC73GCH1H471J	CHIP C 470PF J	
C550			CC73HCH1H101J	CHIP C 100PF J		C823			CK73HB1H102K	CHIP C 1000PF K	
C551-553			CK73HB1H102K	CHIP C 1000PF K		C824			CK73GB1H103K	CHIP C 0.010UF K	
C554			CC73HCH1H101J	CHIP C 100PF J		C829			CK73GB1H102K	CHIP C 1000PF K	
C555-557			CK73HB1H102K	CHIP C 1000PF K		C831,832			C92-0585-05	CHIP-TAN 4.7UF 16WV	
C558			CC73HCH1H101J	CHIP C 100PF J		TC301,302			C05-0396-05	CERAMIC TRIMMER CAPACITOR (8PF)	
C559			CK73HB1H102K	CHIP C 1000PF K		CN5			E23-1278-05	TERMINAL	
C560,561			CK73GB1C104K	CHIP C 0.10UF K		CN13			E23-1278-05	TERMINAL	
C562-565			C92-0519-05	CHIP-TAN 1.0UF 25WV		CN200-203			E23-1278-05	TERMINAL	
C566			CK73FB1C105K	CHIP C 1.0UF K		CN301,302			E40-6404-05	PIN ASSY	
C567			CC73HCH1H101J	CHIP C 100PF J		CN326			E23-1278-05	TERMINAL	
C568			CK73HB1H102K	CHIP C 1000PF K		CN328-330			E23-1278-05	TERMINAL	
C570			CK73FB1C105K	CHIP C 1.0UF K		CN403			E40-6361-05	PIN ASSY	
C572,573			CK73GB1H102K	CHIP C 1000PF K		CN427			E40-6371-05	FLAT CABLE CONNECTOR	
C574			C92-0672-05	ELECTRO 22UF 16WV		CN428			E40-6373-05	PIN ASSY	
C575			C92-0834-05	ELECTRO 47UF 25WV		CN429			E40-6412-05	FLAT CABLE CONNECTOR	
C576			C92-0836-05	ELECTRO 330UF 16WV		CN701			E40-6371-05	FLAT CABLE CONNECTOR	
C577			CK73GB1C104K	CHIP C 0.10UF K		CN802,803			E23-1260-04	TERMINAL	
C578			C92-0834-05	ELECTRO 47UF 25WV		CN804			E40-3246-05	PIN ASSY	
C579			CK73GB1H102K	CHIP C 1000PF K		CN815			E23-1278-05	TERMINAL	
C580			C92-0834-05	ELECTRO 47UF 25WV		J401			E11-0425-05	3.5D PHONE JACK (3P)	
C581,582			CK73GB1H102K	CHIP C 1000PF K							

PARTS LIST

TX-RX UNIT (X57-6980-XX)

Ref. No.	Address	New parts	Parts No.	Description	Desti-nation	Ref. No.	Address	New parts	Parts No.	Description	Desti-nation
J701			E58-0494-05	SUB SOCKET (D)		L316			L40-3395-85	SMALL FIXED INDUCTOR (3.3UH)	
F401			F53-0352-05	FUSE (2A)		L317			L40-2795-85	SMALL FIXED INDUCTOR (2.7UH)	
F801			F53-0278-05	FUSE (5A)		L318,319			L40-8275-92	SMALL FIXED INDUCTOR (82NH)	
CN401			J19-5386-05	HOLDER	K	L320			L40-3975-92	SMALL FIXED INDUCTOR (39NH)	
CD171			L79-1701-05	TUNING COIL		L321			L92-0140-05	CHIP FERRITE	
CF171			L72-0376-05	CERAMIC FILTER		L401,402			L92-0138-05	CHIP FERRITE	
CF172			L72-0372-05	CERAMIC FILTER		L403-407			L92-0140-05	CHIP FERRITE	
L1			L40-8275-92	SMALL FIXED INDUCTOR (82NH)		L408			L92-0138-05	CHIP FERRITE	
L2			L92-0140-05	CHIP FERRITE		L409			L92-0140-05	CHIP FERRITE	
L3			L40-6875-92	SMALL FIXED INDUCTOR (68NH)		L410,411			L92-0179-05	CHIP FERRITE	
L4			L92-0140-05	CHIP FERRITE		L415			L92-0179-05	CHIP FERRITE	
L5,6			L92-0179-05	CHIP FERRITE		L701,702			L92-0140-05	CHIP FERRITE	
L7			L34-4638-05	AIR-CORE COIL		X171			L77-1762-05	CRYSTAL RESONATOR (44.395MHZ)	
L8			L34-4744-05	AIR-CORE COIL		X301			L77-1952-05	TCXO (16.8MHZ)	
L9-12			L34-4742-05	AIR-CORE COIL		X401			L77-1802-05	CRYSTAL RESONATOR (32768HZ)	K
L13			L34-4482-05	AIR-CORE COIL		X403			L77-1965-05	CRYSTAL RESONATOR (3.6864MHZ)	
L14			L40-3375-92	SMALL FIXED INDUCTOR (33NH)		X404			L77-1950-05	CRYSTAL RESONATOR (11.0592MHZ)	
L15			L92-0179-05	CHIP FERRITE		XF171			L71-0618-05	MCF (44.85M)	
L16			L40-3975-92	SMALL FIXED INDUCTOR (39NH)		CP401			R90-0740-05	MULTIPLE RESISTOR	K
L103			L41-1085-14	SMALL FIXED INDUCTOR (100NH)		CP402-417			RK75HA1J102J	CHIP-COM 1.0K J 1/16W	
L104			L41-6878-14	SMALL FIXED INDUCTOR (68NH)		R1			RK73GB2A271J	CHIP R 270 J 1/10W	
L105			L41-3978-14	SMALL FIXED INDUCTOR (39NH)		R2			RK73GB2A180J	CHIP R 18 J 1/10W	
L106			L41-2778-14	SMALL FIXED INDUCTOR (27NH)		R3			RK73GB2A271J	CHIP R 270 J 1/10W	
L108			L92-0140-05	CHIP FERRITE		R4			RK73GB2A333J	CHIP R 33K J 1/10W	
L109			L41-8275-14	SMALL FIXED INDUCTOR (82NH)		R5			RK73GB2A682J	CHIP R 6.8K J 1/10W	
L110-113			L34-4566-05	AIR-CORE COIL		R6			RK73GB2A181J	CHIP R 180 J 1/10W	
L114			L40-2275-92	SMALL FIXED INDUCTOR (22NH)		R7			RK73GB2A100J	CHIP R 10 J 1/10W	
L171			L41-2778-14	SMALL FIXED INDUCTOR (27NH)		R8			RK73GB2A471J	CHIP R 470 J 1/10W	
L172			L41-2278-14	SMALL FIXED INDUCTOR (22NH)		R9			RK73GB2A220J	CHIP R 22 J 1/10W	
L173,174			L39-1421-05	TOROIDAL COIL		R10			RK73GB2A272J	CHIP R 2.7K J 1/10W	
L175			L92-0140-05	CHIP FERRITE		R11			RK73GB2A561J	CHIP R 560 J 1/10W	
L176			L39-1421-05	TOROIDAL COIL		R12			RK73GB2A150J	CHIP R 15 J 1/10W	
L177			L41-2785-14	SMALL FIXED INDUCTOR (270NH)		R13			RK73GB2A331J	CHIP R 330 J 1/10W	
L178,179			L41-3988-14	SMALL FIXED INDUCTOR (390NH)		R14			RK73GB2A000JX	CHIP R 0.0 J 1/10W	
L180			L40-6875-92	SMALL FIXED INDUCTOR (68NH)		R15			RK73FB2B221J	CHIP R 220 J 1/8W	
L181			L40-1001-86	SMALL FIXED INDUCTOR (10UH)		R16,17			RK73FB2B470J	CHIP R 47 J 1/8W	
L182			L40-1085-92	SMALL FIXED INDUCTOR (100NH)		R18			RK73FB2B221J	CHIP R 220 J 1/8W	
L183,184			L41-3988-14	SMALL FIXED INDUCTOR (390NH)		R19			RK73GB2A151J	CHIP R 150 J 1/10W	
L185			L40-6875-92	SMALL FIXED INDUCTOR (68NH)		R21			RK73GB2A221J	CHIP R 220 J 1/10W	
L186			L40-1001-86	SMALL FIXED INDUCTOR (10UH)		R22			RK73GB2A102J	CHIP R 1.0K J 1/10W	
L187			L40-1085-92	SMALL FIXED INDUCTOR (100NH)		R23			RK73GB2A682J	CHIP R 6.8K J 1/10W	
L188			L40-8281-86	SMALL FIXED INDUCTOR (0.82UH)		R25			R92-1214-05	CHIP R 120 J 1/2W	
L189			L40-1091-86	SMALL FIXED INDUCTOR (1.0UH)		R27			RK73GB2A124J	CHIP R 120K J 1/10W	
L251			L33-1468-05	SMALL FIXED INDUCTOR		R28			RK73GB2A822J	CHIP R 8.2K J 1/10W	
L301			L40-5695-85	SMALL FIXED INDUCTOR (5.6UH)		R29			RK73GB2A332J	CHIP R 3.3K J 1/10W	
L302			L92-0140-05	CHIP FERRITE		R30			R92-1061-05	JUMPER REST 0 OHM	
L303			L41-8268-14	SMALL FIXED INDUCTOR (8.2NH)		R31			RK73GB2A000JX	CHIP R 0.0 J 1/10W	
L304			L41-6868-14	SMALL FIXED INDUCTOR (6.8NH)		R33			RK73GB2A124J	CHIP R 120K J 1/10W	
L305,306			L41-6878-14	SMALL FIXED INDUCTOR (68NH)		R38			RK73GB2A000JX	CHIP R 0.0 J 1/10W	
L307			L41-6868-14	SMALL FIXED INDUCTOR (6.8NH)		R71			RK73GB2A563J	CHIP R 56K J 1/10W	
L308			L41-1078-14	SMALL FIXED INDUCTOR (10NH)		R72			RK73GB2A333J	CHIP R 33K J 1/10W	
L309			L40-3395-85	SMALL FIXED INDUCTOR (3.3UH)		R75			RK73GB2A393J	CHIP R 39K J 1/10W	
L310			L40-2795-85	SMALL FIXED INDUCTOR (2.7UH)		R76-79			RK73GB2A104J	CHIP R 100K J 1/10W	
L311			L40-3395-85	SMALL FIXED INDUCTOR (3.3UH)		R81,82			RK73GB2A104J	CHIP R 100K J 1/10W	
L312			L40-2795-85	SMALL FIXED INDUCTOR (2.7UH)		R84			RK73GB2A124J	CHIP R 120K J 1/10W	
L313			L34-4610-05	AIR-CORE COIL		R85			RK73GB2A104J	CHIP R 100K J 1/10W	
L314			L34-4612-05	AIR-CORE COIL		R86			RK73GB2A394J	CHIP R 390K J 1/10W	
L315			L40-2795-85	SMALL FIXED INDUCTOR (2.7UH)		R87,88			RK73GB2A104J	CHIP R 100K J 1/10W	
						R89			RK73GB2A473J	CHIP R 47K J 1/10W	

K : TK-7180H(K) SK : TK-7182H(K)

PARTS LIST

TX-RX UNIT (X57-6980-XX)

Ref. No.	Address	New parts	Parts No.	Description	Destination	Ref. No.	Address	New parts	Parts No.	Description	Destination
R90			RK73GB2A394J	CHIP R 390K J 1/10W		R257			RK73GB2A153J	CHIP R 15K J 1/10W	
R109			RK73GB2A000JX	CHIP R 0.0 J 1/10W		R258			RK73GB2A220J	CHIP R 22 J 1/10W	
R111			RK73GB2A000JX	CHIP R 0.0 J 1/10W		R300			RK73GB2A103J	CHIP R 10K J 1/10W	
R115			RK73GB2A472J	CHIP R 4.7K J 1/10W		R301,302			RK73GB2A000JX	CHIP R 0.0 J 1/10W	
R116			RK73GB2A102J	CHIP R 1.0K J 1/10W		R303			RK73GB2A561J	CHIP R 560 J 1/10W	
R117			RK73GB2A222J	CHIP R 2.2K J 1/10W		R304			RK73GB2A470J	CHIP R 47 J 1/10W	
R119			RK73GB2A151J	CHIP R 150 J 1/10W		R305			RK73GB2A560J	CHIP R 56 J 1/10W	
R120			RK73GB2A120J	CHIP R 12 J 1/10W		R306			RK73GB2A104J	CHIP R 100K J 1/10W	
R121-124			RK73GB2A104J	CHIP R 100K J 1/10W		R307			RK73GB2A000JX	CHIP R 0.0 J 1/10W	
R125			RK73GB2A181J	CHIP R 180 J 1/10W		R308			RK73GB2A392J	CHIP R 3.9K J 1/10W	
R126			RK73GB2A330J	CHIP R 33 J 1/10W		R309			RK73GB2A181J	CHIP R 180 J 1/10W	
R127			RK73GB2A181J	CHIP R 180 J 1/10W		R310			RK73GB2A331J	CHIP R 330 J 1/10W	
R129			RK73GB2A104J	CHIP R 100K J 1/10W		R311,312			RK73GB2A102J	CHIP R 1.0K J 1/10W	
R130,131			RK73GB2A000JX	CHIP R 0.0 J 1/10W		R313			RK73GB2A472J	CHIP R 4.7K J 1/10W	
R132			RK73GB2A104J	CHIP R 100K J 1/10W		R314,315			RK73GB2A223J	CHIP R 22K J 1/10W	
R171			RK73GB2A821J	CHIP R 820 J 1/10W		R316			RK73GB2A474J	CHIP R 470K J 1/10W	
R172			RK73GB2A5R6J	CHIP R 5.6 J 1/10W		R317			RK73GB2A000JX	CHIP R 0.0 J 1/10W	
R173			RK73GB2A821J	CHIP R 820 J 1/10W		R318			R92-2157-05	METAL-R 1.2K J 1/4W	
R174			RK73GB2A680J	CHIP R 68 J 1/10W		R319			RK73GB2A220J	CHIP R 22 J 1/10W	
R175			RK73GB2A222J	CHIP R 2.2K J 1/10W		R320			RK73GB2A101J	CHIP R 100 J 1/10W	
R176			RK73GB2A470J	CHIP R 47 J 1/10W		R321			RK73GB2A103J	CHIP R 10K J 1/10W	
R177			RK73GB2A102J	CHIP R 1.0K J 1/10W		R322			RK73GB2A473J	CHIP R 47K J 1/10W	
R178			RK73GB2A000JX	CHIP R 0.0 J 1/10W		R323			RK73GB2A102J	CHIP R 1.0K J 1/10W	
R179			RK73GB2A102J	CHIP R 1.0K J 1/10W		R324			RK73GB2A000JX	CHIP R 0.0 J 1/10W	
R180			RK73GB2A821J	CHIP R 820 J 1/10W		R325			RK73GB2A154J	CHIP R 150K J 1/10W	
R181			RK73GB2A331J	CHIP R 330 J 1/10W		R326			RK73GB2A152J	CHIP R 1.5K J 1/10W	
R182			RK73GB2A332J	CHIP R 3.3K J 1/10W		R327			RK73GB2A101J	CHIP R 100 J 1/10W	
R183			RK73GB2A680J	CHIP R 68 J 1/10W		R328			RK73GB2A223J	CHIP R 22K J 1/10W	
R184			RK73GB2A100J	CHIP R 10 J 1/10W		R329			RK73GB2A472J	CHIP R 4.7K J 1/10W	
R185			RK73GB2A821J	CHIP R 820 J 1/10W		R330			RK73GB2A101J	CHIP R 100 J 1/10W	
R186			RK73GB2A331J	CHIP R 330 J 1/10W		R331			RK73GB2A000JX	CHIP R 0.0 J 1/10W	
R187			RK73GB2A332J	CHIP R 3.3K J 1/10W		R332			RK73GB2A101J	CHIP R 100 J 1/10W	
R188			RK73GB2A680J	CHIP R 68 J 1/10W		R333,334			RK73GB2A000JX	CHIP R 0.0 J 1/10W	
R189			RK73GB2A100J	CHIP R 10 J 1/10W		R335			RK73GB2A220J	CHIP R 22 J 1/10W	
R190			RK73GB2A153J	CHIP R 15K J 1/10W		R336			RK73GB2A102J	CHIP R 1.0K J 1/10W	
R191,192			RK73GB2A223J	CHIP R 22K J 1/10W		R337,338			RK73GB2A103J	CHIP R 10K J 1/10W	
R193			RK73GB2A473J	CHIP R 47K J 1/10W		R339			RK73GB2A104J	CHIP R 100K J 1/10W	
R194,195			RK73GB2A223J	CHIP R 22K J 1/10W		R340			RK73GB2A101J	CHIP R 100 J 1/10W	
R196			RK73GB2A153J	CHIP R 15K J 1/10W		R341			RK73GB2A331J	CHIP R 330 J 1/10W	
R197,198			RK73GB2A334J	CHIP R 330K J 1/10W		R342			RK73GB2A181J	CHIP R 180 J 1/10W	
R199			RK73GB2A560J	CHIP R 56 J 1/10W		R343			RK73GB2A472J	CHIP R 4.7K J 1/10W	
R200			RK73GB2A332J	CHIP R 3.3K J 1/10W		R344-346			RK73GB2A101J	CHIP R 100 J 1/10W	
R202			RK73GB2A472J	CHIP R 4.7K J 1/10W		R347			RK73GB2A472J	CHIP R 4.7K J 1/10W	
R203			RK73GB2A332J	CHIP R 3.3K J 1/10W		R348			RK73GB2A103J	CHIP R 10K J 1/10W	
R204			RK73GB2A222J	CHIP R 2.2K J 1/10W		R349			RK73GB2A273J	CHIP R 27K J 1/10W	
R205			RK73GB2A332J	CHIP R 3.3K J 1/10W		R350			RK73GB2A223J	CHIP R 22K J 1/10W	
R206			RK73GB2A102J	CHIP R 1.0K J 1/10W		R351			RK73GB2A472J	CHIP R 4.7K J 1/10W	
R207			RK73GB2A473J	CHIP R 47K J 1/10W		R352			RK73GB2A330J	CHIP R 33 J 1/10W	
R208			RK73GB2A392J	CHIP R 3.9K J 1/10W		R353			RK73GB2A472J	CHIP R 4.7K J 1/10W	
R209			RK73GB2A100J	CHIP R 10 J 1/10W		R354			RK73GB2A331J	CHIP R 330 J 1/10W	
R210			RK73GB2A272J	CHIP R 2.7K J 1/10W		R355			RK73GB2A271J	CHIP R 270 J 1/10W	
R212			RK73GB2A104J	CHIP R 100K J 1/10W		R356,357			RK73GB2A103J	CHIP R 10K J 1/10W	
R217			RK73GB2A000JX	CHIP R 0.0 J 1/10W		R358			RK73GB2A822J	CHIP R 8.2K J 1/10W	
R221			RK73GB2A473J	CHIP R 47K J 1/10W		R359			RK73GB2A151J	CHIP R 150 J 1/10W	
R222			RK73GB2A102J	CHIP R 1.0K J 1/10W		R360,361			RK73GB2A331J	CHIP R 330 J 1/10W	
R251			RK73GB2A102J	CHIP R 1.0K J 1/10W		R362			RK73GB2A000JX	CHIP R 0.0 J 1/10W	
R252			RK73GB2A472J	CHIP R 4.7K J 1/10W		R365,366			RK73GB2A222J	CHIP R 2.2K J 1/10W	
R253			RK73GB2A103J	CHIP R 10K J 1/10W		R367			RK73GB2A332J	CHIP R 3.3K J 1/10W	
R254,255			RK73GB2A000JX	CHIP R 0.0 J 1/10W		R368			RK73GB2A000JX	CHIP R 0.0 J 1/10W	
R256			RK73GB2A124J	CHIP R 120K J 1/10W		R369			RK73GB2A223J	CHIP R 22K J 1/10W	

PARTS LIST

TX-RX UNIT (X57-6980-XX)

Ref. No.	Address	New parts	Parts No.	Description	Desti-nation	Ref. No.	Address	New parts	Parts No.	Description	Desti-nation
R370			RK73GB2A102J	CHIP R 1.0K J 1/10W		R490			RK73GB2A184J	CHIP R 180K J 1/10W	
R375			RK73GB2A102J	CHIP R 1.0K J 1/10W		R491			RK73GB2A000JX	CHIP R 0.0 J 1/10W	
R376			RK73GB2A473J	CHIP R 47K J 1/10W		R492			RK73GB2A684J	CHIP R 680K J 1/10W	
R377			RK73GB2A000JX	CHIP R 0.0 J 1/10W		R493			RK73GB2A105J	CHIP R 1.0M J 1/10W	
R379,380			RK73GB2A000JX	CHIP R 0.0 J 1/10W		R494,495			RK73GB2A472J	CHIP R 4.7K J 1/10W	
R401			RK73HH1J362D	CHIP R 3.6K D 1/16W	K	R496			RK73GB2A104J	CHIP R 100K J 1/10W	
R402			RK73HH1J512D	CHIP R 5.1K D 1/16W	K	R497			RK73GB2A332J	CHIP R 3.3K J 1/10W	
R403			RK73GB2A101J	CHIP R 100 J 1/10W		R498			RK73GB2A274J	CHIP R 270K J 1/10W	
R405,406			RK73HB1J474J	CHIP R 470K J 1/16W		R499			RK73GB2A104J	CHIP R 100K J 1/10W	
R407			RK73HB1J103J	CHIP R 10K J 1/16W		R500			RK73GB2A000JX	CHIP R 0.0 J 1/10W	
R408,409			RK73HB1J471J	CHIP R 470 J 1/16W		R501			RK73GB2A472J	CHIP R 4.7K J 1/10W	
R410			RK73HB1J103J	CHIP R 10K J 1/16W		R502			RK73GB2A103J	CHIP R 10K J 1/10W	
R411,412			RK73HB1J474J	CHIP R 470K J 1/16W		R503			RK73GB2A104J	CHIP R 100K J 1/10W	
R414			RK73HB1J103J	CHIP R 10K J 1/16W		R504			RK73GB2A103J	CHIP R 10K J 1/10W	
R418,419			RK73HB1J473J	CHIP R 47K J 1/16W		R505			RK73GB2A683J	CHIP R 68K J 1/10W	
R420			RK73HB1J334J	CHIP R 330K J 1/16W		R506			RK73GB2A224J	CHIP R 220K J 1/10W	
R421,422			RK73HB1J473J	CHIP R 47K J 1/16W		R507			RK73GB2A154J	CHIP R 150K J 1/10W	
R423			RK73HB1J000JX	CHIP R 0.0 J 1/16W		R508			RK73GB2A102J	CHIP R 1.0K J 1/10W	
R424-427			RK73HB1J102J	CHIP R 1.0K J 1/16W		R509			RK73GB2A333J	CHIP R 33K J 1/10W	
R428			RK73HB1J000JX	CHIP R 0.0 J 1/16W		R511			RK73HB1J152J	CHIP R 1.5K J 1/16W	
R429,430			RK73HB1J471J	CHIP R 470 J 1/16W		R512			RK73GB2A153J	CHIP R 15K J 1/10W	
R431			RK73HB1J000JX	CHIP R 0.0 J 1/16W		R513			RK73GB2A564J	CHIP R 560K J 1/10W	
R432			RK73HB1J102J	CHIP R 1.0K J 1/16W		R514			RK73GB2A183J	CHIP R 18K J 1/10W	
R433			RK73HB1J471J	CHIP R 470 J 1/16W	SK	R515			RK73GB2A104J	CHIP R 100K J 1/10W	
R434			RK73HB1J473J	CHIP R 47K J 1/16W	K	R517			RK73GB2A563J	CHIP R 56K J 1/10W	
R435			RK73HB1J102J	CHIP R 1.0K J 1/16W		R519			RK73GB2A104J	CHIP R 100K J 1/10W	
R437			RK73HB1J000JX	CHIP R 0.0 J 1/16W		R520			RK73GB2A000JX	CHIP R 0.0 J 1/10W	
R439			RK73HB1J000JX	CHIP R 0.0 J 1/16W		R521			RK73GB2A473J	CHIP R 47K J 1/10W	
R440-444			RK73HB1J102J	CHIP R 1.0K J 1/16W		R522			RK73GB2A104J	CHIP R 100K J 1/10W	
R445,446			RK73GB2A103J	CHIP R 10K J 1/10W		R523			RK73GB2A154J	CHIP R 150K J 1/10W	
R447			RK73HB1J474J	CHIP R 470K J 1/16W		R524			RK73GB2A103J	CHIP R 10K J 1/10W	
R448			RK73HB1J102J	CHIP R 1.0K J 1/16W		R525			RK73HB1J152J	CHIP R 1.5K J 1/16W	
R449			RK73HB1J474J	CHIP R 470K J 1/16W		R526			RK73GB2A274J	CHIP R 270K J 1/10W	
R450			RK73HB1J102J	CHIP R 1.0K J 1/16W		R527			RK73GB2A392J	CHIP R 3.9K J 1/10W	
R451			RK73HB1J474J	CHIP R 470K J 1/16W		R528			RK73GB2A183J	CHIP R 18K J 1/10W	
R452			RK73HB1J102J	CHIP R 1.0K J 1/16W		R529			RK73GB2A684J	CHIP R 680K J 1/10W	
R453			RK73HB1J474J	CHIP R 470K J 1/16W		R530			RK73GB2A563J	CHIP R 56K J 1/10W	
R454			RK73HB1J102J	CHIP R 1.0K J 1/16W		R531			RK73GB2A103J	CHIP R 10K J 1/10W	
R455,456			RK73HB1J471J	CHIP R 470 J 1/16W		R532			RK73GB2A102J	CHIP R 1.0K J 1/10W	
R457			RK73HB1J473J	CHIP R 47K J 1/16W		R533			RK73GB2A104J	CHIP R 100K J 1/10W	
R458,459			RK73HB1J474J	CHIP R 470K J 1/16W		R534			RK73GB2A103J	CHIP R 10K J 1/10W	
R460			RK73HB1J102J	CHIP R 1.0K J 1/16W	SK	R535			RK73GB2A394J	CHIP R 390K J 1/10W	
R461			RK73HB1J474J	CHIP R 470K J 1/16W	K	R536			RK73GB2A153J	CHIP R 15K J 1/10W	
R461,462			RK73HB1J474J	CHIP R 470K J 1/16W	SK	R537,538			RK73GB2A104J	CHIP R 100K J 1/10W	
R463,464			RK73HB1J102J	CHIP R 1.0K J 1/16W	SK	R539			RK73GB2A393J	CHIP R 39K J 1/10W	
R465			RK73GB2A473J	CHIP R 47K J 1/10W		R540			RK73GB2A473J	CHIP R 47K J 1/10W	
R466,467			RK73HB1J000JX	CHIP R 0.0 J 1/16W		R541			RK73GB2A000JX	CHIP R 0.0 J 1/10W	
R468			RK73HB1J473J	CHIP R 47K J 1/16W		R542			RK73GB2A154J	CHIP R 150K J 1/10W	
R469			RK73HB1J102J	CHIP R 1.0K J 1/16W		R544			RK73GB2A472J	CHIP R 4.7K J 1/10W	
R470			RK73GB2A102J	CHIP R 1.0K J 1/10W		R545			RK73GB2A103J	CHIP R 10K J 1/10W	
R471,472			RK73HB1J102J	CHIP R 1.0K J 1/16W		R548			RK73GB2A823J	CHIP R 82K J 1/10W	
R473			RK73HB1J473J	CHIP R 47K J 1/16W		R550			RK73GB2A472J	CHIP R 4.7K J 1/10W	
R474-476			RK73HB1J474J	CHIP R 470K J 1/16W		R552			RK73GB2A103J	CHIP R 10K J 1/10W	
R477,478			RK73GB2A000JX	CHIP R 0.0 J 1/10W		R553			RK73GB2A472J	CHIP R 4.7K J 1/10W	
R479-481			RK73HB1J474J	CHIP R 470K J 1/16W	SK	R554			RK73GB2A563J	CHIP R 56K J 1/10W	
R481			RK73HB1J474J	CHIP R 470K J 1/16W	K	R555			RK73GB2A123J	CHIP R 12K J 1/10W	
R482			RK73HB1J473J	CHIP R 47K J 1/16W		R556			RK73GB2A563J	CHIP R 56K J 1/10W	
R483-486			RK73GB2A000JX	CHIP R 0.0 J 1/10W		R557			RK73GB2A472J	CHIP R 4.7K J 1/10W	
R487			RK73GB2A185J	CHIP R 1.8M J 1/10W		R558			RK73GB2A224J	CHIP R 220K J 1/10W	
R488,489			RK73GB2A000JX	CHIP R 0.0 J 1/10W		R559			RK73GB2A000JX	CHIP R 0.0 J 1/10W	

K : TK-7180H(K) SK : TK-7182H(K)

PARTS LIST

TX-RX UNIT (X57-6980-XX)

Ref. No.	Address	New parts	Parts No.	Description	Destination	Ref. No.	Address	New parts	Parts No.	Description	Destination
R565			RK73GB2A000JX	CHIP R 0.0 J 1/10W		R652			RK73GB2A820J	CHIP R 82 J 1/10W	
R566			RK73GB2A105J	CHIP R 1.0M J 1/10W		R653			RK73GB2A2R2J	CHIP R 2.2 J 1/10W	
R567			RK73GB2A394J	CHIP R 390K J 1/10W		R654			RK73FB2B000J	CHIP R 0.0 J 1/8W	
R568			RK73GB2A124J	CHIP R 120K J 1/10W		R655			RK73GB2A000JX	CHIP R 0.0 J 1/10W	
R569			RK73GB2A104J	CHIP R 100K J 1/10W		R657			RK73HB1J472J	CHIP R 4.7K J 1/16W	
R570			RK73GB2A154J	CHIP R 150K J 1/10W		R658			RK73HB1J000JX	CHIP R 0.0 J 1/16W	SK
R571			RK73GB2A124J	CHIP R 120K J 1/10W		R658-662			RK73HB1J000JX	CHIP R 0.0 J 1/16W	K
R572			RK73HB1J000JX	CHIP R 0.0 J 1/16W		R664			RK73HB1J105J	CHIP R 1.0M J 1/16W	
R573			RK73GB2A332J	CHIP R 3.3K J 1/10W		R665			RK73GB2A472J	CHIP R 4.7K J 1/10W	
R574,575			RK73HB1J000JX	CHIP R 0.0 J 1/16W		R666			RK73GB2A104J	CHIP R 100K J 1/10W	
R576			RK73GB2A224J	CHIP R 220K J 1/10W		R667			RK73GB2A333J	CHIP R 33K J 1/10W	
R577,578			RK73HB1J000JX	CHIP R 0.0 J 1/16W	K	R669-671			RK73GB2A472J	CHIP R 4.7K J 1/10W	
R578			RK73HB1J000JX	CHIP R 0.0 J 1/16W	SK	R672			RK73GB2A334J	CHIP R 330K J 1/10W	
R579			RK73GB2A223J	CHIP R 22K J 1/10W		R673			RK73GB2A183J	CHIP R 18K J 1/10W	
R580,581			RK73GB2A472J	CHIP R 4.7K J 1/10W		R701-705			RK73GB2A473J	CHIP R 47K J 1/10W	
R582			RK73GB2A105J	CHIP R 1.0M J 1/10W		R706-710			RK73GB2A471J	CHIP R 470 J 1/10W	
R583,584			RK73GB2A000JX	CHIP R 0.0 J 1/10W		R711-713			RK73GB2A473J	CHIP R 47K J 1/10W	
R585			RK73GB2A184J	CHIP R 180K J 1/10W		R714-720			RK73GB2A471J	CHIP R 470 J 1/10W	
R586			RK73GB2A471J	CHIP R 470 J 1/10W		R801			RK73GB2A224J	CHIP R 220K J 1/10W	
R587			RK73GB2A154J	CHIP R 150K J 1/10W		R802			RK73GB2A334J	CHIP R 330K J 1/10W	
R588			RK73GB2A472J	CHIP R 4.7K J 1/10W		R803			RK73GB2A103J	CHIP R 10K J 1/10W	
R589,590			RK73GB2A000JX	CHIP R 0.0 J 1/10W		R805			RK73GB2A471J	CHIP R 470 J 1/10W	
R591			RK73HB1J000JX	CHIP R 0.0 J 1/16W		R806,807			RK73GB2A103J	CHIP R 10K J 1/10W	
R592			RK73GB2A000JX	CHIP R 0.0 J 1/10W		R808,809			RK73GB2A473J	CHIP R 47K J 1/10W	
R594			RK73GB2A681J	CHIP R 680 J 1/10W		R811,812			RK73GB2A103J	CHIP R 10K J 1/10W	
R595			RK73GB2A274J	CHIP R 270K J 1/10W		R813			RK73GB2A472J	CHIP R 4.7K J 1/10W	
R596			RK73GB2A000JX	CHIP R 0.0 J 1/10W		R814			RK73GB2A473J	CHIP R 47K J 1/10W	
R597			RK73GB2A224J	CHIP R 220K J 1/10W		R815			RK73GB2A683J	CHIP R 68K J 1/10W	
R598			RK73GB2A472J	CHIP R 4.7K J 1/10W		R816			RK73HB1J473J	CHIP R 47K J 1/16W	
R599			RK73GB2A184J	CHIP R 180K J 1/10W		R819			RK73GB2A683J	CHIP R 68K J 1/10W	
R600			RK73GB2A472J	CHIP R 4.7K J 1/10W		R820			RK73GB2A473J	CHIP R 47K J 1/10W	
R601			RK73GB2A474J	CHIP R 470K J 1/10W		R821			RK73HB1J105J	CHIP R 1.0M J 1/16W	
R602			RK73GB2A105J	CHIP R 1.0M J 1/10W		R822			RK73GB2A104J	CHIP R 100K J 1/10W	
R603,604			RK73GB2A000JX	CHIP R 0.0 J 1/10W		R823			RK73GB2A473J	CHIP R 47K J 1/10W	
R606			RK73GB2A000JX	CHIP R 0.0 J 1/10W		R824			RK73GB2A103J	CHIP R 10K J 1/10W	
R607			RK73GB2A274J	CHIP R 270K J 1/10W		R825			RK73HB1J102J	CHIP R 1.0K J 1/16W	
R608			RK73GB2A184J	CHIP R 180K J 1/10W		D1			02DZ5.6(X,Y)	ZENER DIODE	
R609			RK73GB2A223J	CHIP R 22K J 1/10W		D2			XB15A709	DIODE	
R610			RK73GB2A154J	CHIP R 150K J 1/10W		D3,4			XB15A407A2GB	DIODE	
R611			RK73GB2A103J	CHIP R 10K J 1/10W		D6-8			HSM88AS	DIODE	
R612,613			RK73GB2A104J	CHIP R 100K J 1/10W		D11			1SV283	VARIABLE CAPACITANCE DIODE	
R614			RK73HB1J000JX	CHIP R 0.0 J 1/16W		D103-106			1SV283	VARIABLE CAPACITANCE DIODE	
R615,616			RK73GB2A472J	CHIP R 4.7K J 1/10W		D171,172			DAN235E	DIODE	
R617			RK73GB2A104J	CHIP R 100K J 1/10W		D173			RB706F-40	DIODE	
R618			RK73GB2A224J	CHIP R 220K J 1/10W		D174			MA2S111	DIODE	
R619			RK73GB2A104J	CHIP R 100K J 1/10W		D251			1SS388	DIODE	
R620			RK73GB2A224J	CHIP R 220K J 1/10W		D301,302			MA2S077	DIODE	
R621,622			RK73FB2B000J	CHIP R 0.0 J 1/8W		D304,305			MA2S077	DIODE	
R623,624			RK73GB2A473J	CHIP R 47K J 1/10W		D306-313			BB664	VARIABLE CAPACITANCE DIODE	
R625			RK73GB2A472J	CHIP R 4.7K J 1/10W		D314			1SV278	VARIABLE CAPACITANCE DIODE	
R629,630			RK73FB2B000J	CHIP R 0.0 J 1/8W		D315,316			HVC131	DIODE	
R632			RK73GB2A473J	CHIP R 47K J 1/10W		D402-404			1SS388	DIODE	K
R633			RK73FB2B000J	CHIP R 0.0 J 1/8W		D405			EMZ6.8N	ZENER DIODE	
R636			RK73FB2B000J	CHIP R 0.0 J 1/8W		D406			02DZ5.1(Y)	ZENER DIODE	
R641,642			RK73GB2A472J	CHIP R 4.7K J 1/10W		D407			RB706F-40	DIODE	
R643			RK73GB2A471J	CHIP R 470 J 1/10W		D408,409			MA742	DIODE	
R644			RK73GB2A102J	CHIP R 1.0K J 1/10W		D412-414			DA204U	DIODE	
R645			RK73GB2A562J	CHIP R 5.6K J 1/10W		D416			DAN202U	DIODE	
R648			RK73GB2A222J	CHIP R 2.2K J 1/10W		D417-423			1SS388	DIODE	
R651			RK73GB2A000JX	CHIP R 0.0 J 1/10W							

PARTS LIST

TX-RX UNIT (X57-6980-XX)

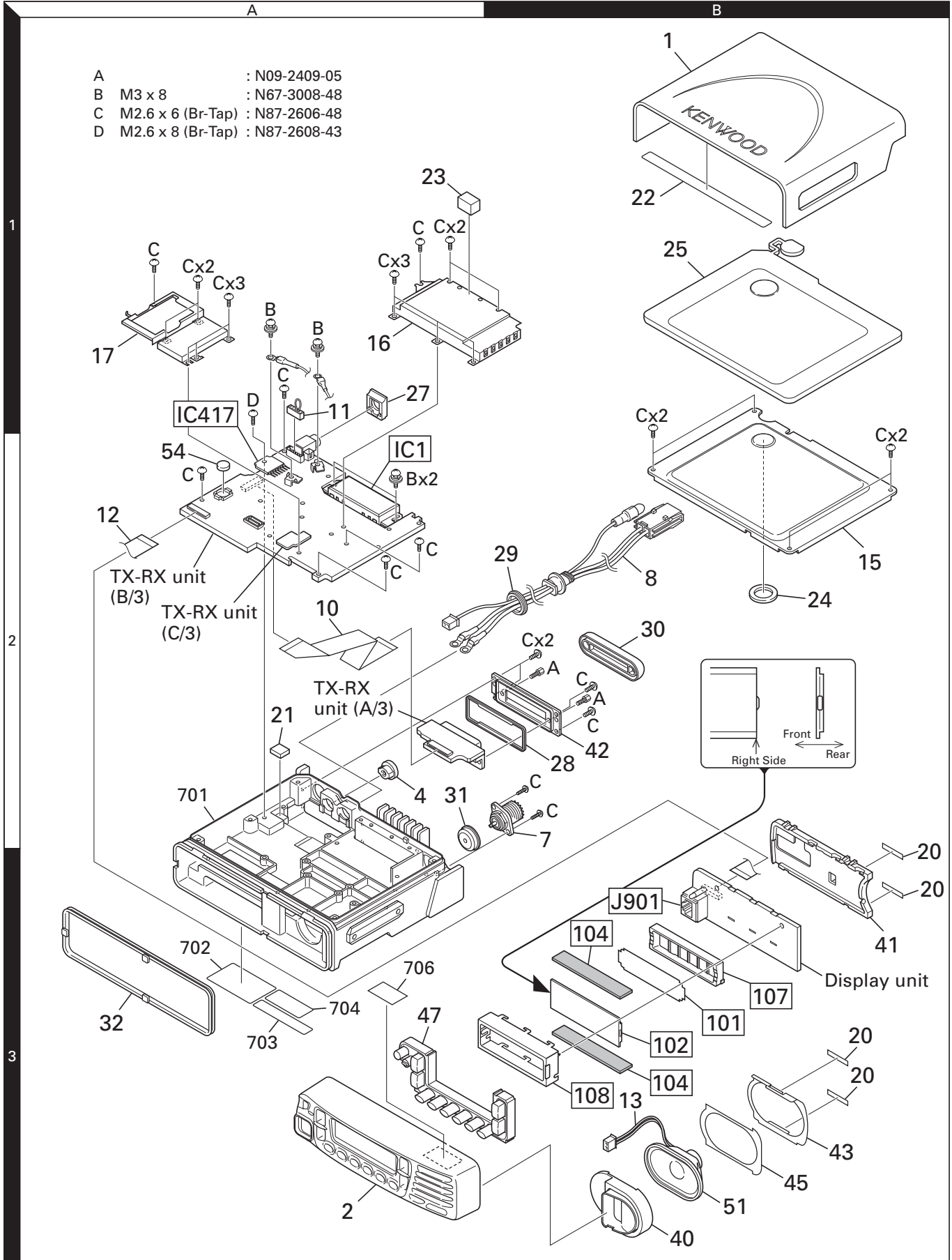
Ref. No.	Address	New parts	Parts No.	Description	Desti-nation	Ref. No.	Address	New parts	Parts No.	Description	Desti-nation
D701			02DZ18(X,Y)	ZENER DIODE		Q312			2SC4617(S)	TRANSISTOR	
D702,703			1SS355	DIODE		Q313			2SC5108(Y)	TRANSISTOR	
D704-708			DA204U	DIODE		Q314			DTA144EE	DIGITAL TRANSISTOR	
D709,710			02DZ18(X,Y)	ZENER DIODE		Q402			DTC114YE	DIGITAL TRANSISTOR	
D711-713			DA204U	DIODE		Q405			DTA114EE	DIGITAL TRANSISTOR	
D714			02DZ18(X,Y)	ZENER DIODE		Q406			HN1J02FU	FET	
D801			22ZR-10D	SURGE ABSORBER		Q409			DTC363EU	DIGITAL TRANSISTOR	
D802			DSA3A1	DIODE		Q410			2SC4116(Y)	TRANSISTOR	
D804			02DZ18(X,Y)	ZENER DIODE		Q411			2SA1586(Y,GR)	TRANSISTOR	
D805			02CZ9.1(X,Y)	ZENER DIODE		Q412			2SK1824	FET	
IC1	2A,2C		RA60H1317M1-23	MOS-IC		Q413,414			2SJ243	FET	
IC71,72			TA75W01FU	MOS-IC		Q415			HN1L02FU	FET	
IC171			SPM5001	MOS-IC		Q416,417			2SJ243	FET	
IC172			TA31136FN	MOS-IC		Q418			DTC114EE	DIGITAL TRANSISTOR	
IC251			MAX5026EUT+T	MOS-IC		Q419			DTC363EU	DIGITAL TRANSISTOR	
IC301			ADF4111BCP7	MOS-IC		Q421			DTA144EE	DIGITAL TRANSISTOR	
IC302			TC7S66FU	MOS-IC		Q701,702			2SD2114K(W)	TRANSISTOR	
IC401			AT24256N10SU27	ROM IC		Q801			2SC2873(Y)	TRANSISTOR	
IC402			RV5C386A	MOS-IC	K	Q802			DTC114EE	DIGITAL TRANSISTOR	
IC403			BU4094BCFV	MOS-IC		Q803-805			12A02CH	TRANSISTOR	
IC404			30625MGP169GU	MICROPROCESSOR IC	K	Q806-809			DTC114EE	DIGITAL TRANSISTOR	
IC404			30625MGP238GU	MICROPROCESSOR IC	SK	Q810			2SJ645	FET	
IC405			AT29C040A-90TU	ROM IC		Q811			DTC114EE	DIGITAL TRANSISTOR	
IC406-409			TC75W51FU	MOS-IC		Q812			DTC114TE	DIGITAL TRANSISTOR	
IC410			M62364FP-F	MOS-IC		TH3			S1R104J475H	THERMISTOR	
IC411			LMC7101BIM5	MOS-IC		TH171			S1R473J475H	THERMISTOR	
IC412			TC75W51FU	MOS-IC							
IC413			TC7MZ4053FK	MOS-IC							
IC414			TC75W51FU	MOS-IC							
IC415			AQUA-L	MOS-IC							
IC416	2A,2C		ADM202EARN	MOS-IC							
IC417			TA7252AP	ANALOGUE IC							
IC801			S-80942CNNBG9C	MOS-IC							
IC802			XC61CN5002NR	MOS-IC							
IC803			TA7808F	ANALOGUE IC							
IC804			TA7805F	MOS-IC							
IC805			NJM78L05UA	BI-POLAR IC							
IC807			XC6201P502PR	MOS-IC							
Q1			2SC5108(Y)	TRANSISTOR							
Q2			2SC5192	TRANSISTOR							
Q3			DTC114EE	DIGITAL TRANSISTOR							
Q72			2SK1824	FET							
Q73			DTC114EE	DIGITAL TRANSISTOR							
Q103			2SC3357	TRANSISTOR							
Q171,172			2SC5108(Y)	TRANSISTOR							
Q173			DTA114EE	DIGITAL TRANSISTOR							
Q174			DTC144EE	DIGITAL TRANSISTOR							
Q175			2SC4617(Q)	TRANSISTOR							
Q176			2SK1824	FET							
Q177			DTC144EE	DIGITAL TRANSISTOR							
Q178			DTA144EE	DIGITAL TRANSISTOR							
Q180			DTC144EE	DIGITAL TRANSISTOR							
Q251			2SC4617(S)	TRANSISTOR							
Q301			2SC5108(Y)	TRANSISTOR							
Q302-304			2SC4116(BL)	TRANSISTOR							
Q305			DTC144EE	DIGITAL TRANSISTOR							
Q306,307			2SK508NV(K52)	FET							
Q308,309			2SC4116(GR)	TRANSISTOR							
Q310			DTC114EE	DIGITAL TRANSISTOR							
Q311			2SC5108(Y)	TRANSISTOR							

K : TK-7180H(K) SK : TK-7182H(K)

TK-7180H/7182H

EXPLODED VIEW (TK-7180H)

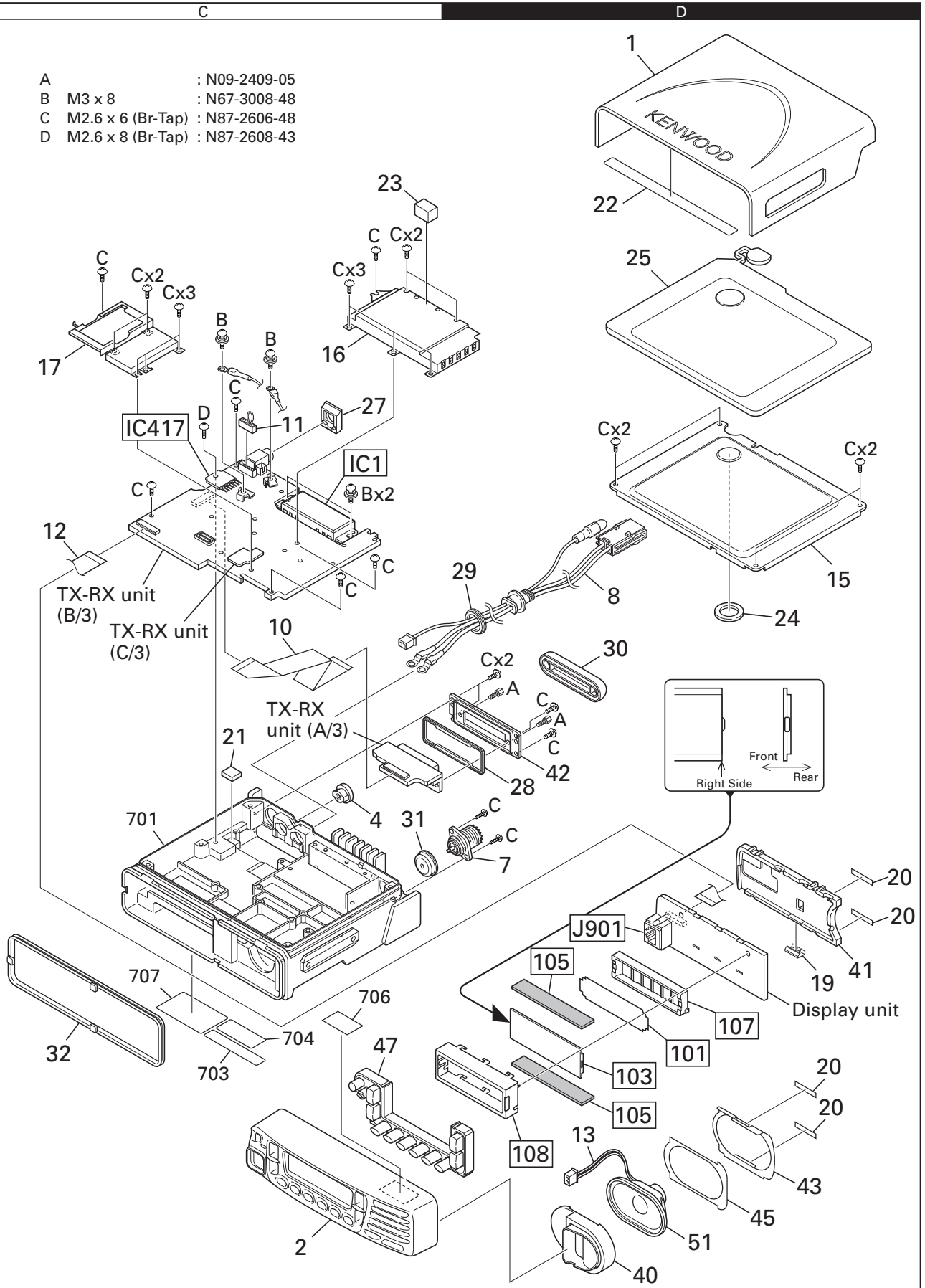
- | | | |
|---|-------------------|---------------|
| A | : | N09-2409-05 |
| B | M3 x 8 | : N67-3008-48 |
| C | M2.6 x 6 (Br-Tap) | : N87-2606-48 |
| D | M2.6 x 8 (Br-Tap) | : N87-2608-43 |



Parts with the exploded numbers larger than 700 are not supplied.

EXPLODED VIEW (TK-7182H)

- A : N09-2409-05
- B M3 x 8 : N67-3008-48
- C M2.6 x 6 (Br-Tap) : N87-2606-48
- D M2.6 x 8 (Br-Tap) : N87-2608-43



Parts with the exploded numbers larger than 700 are not supplied.

PACKING

