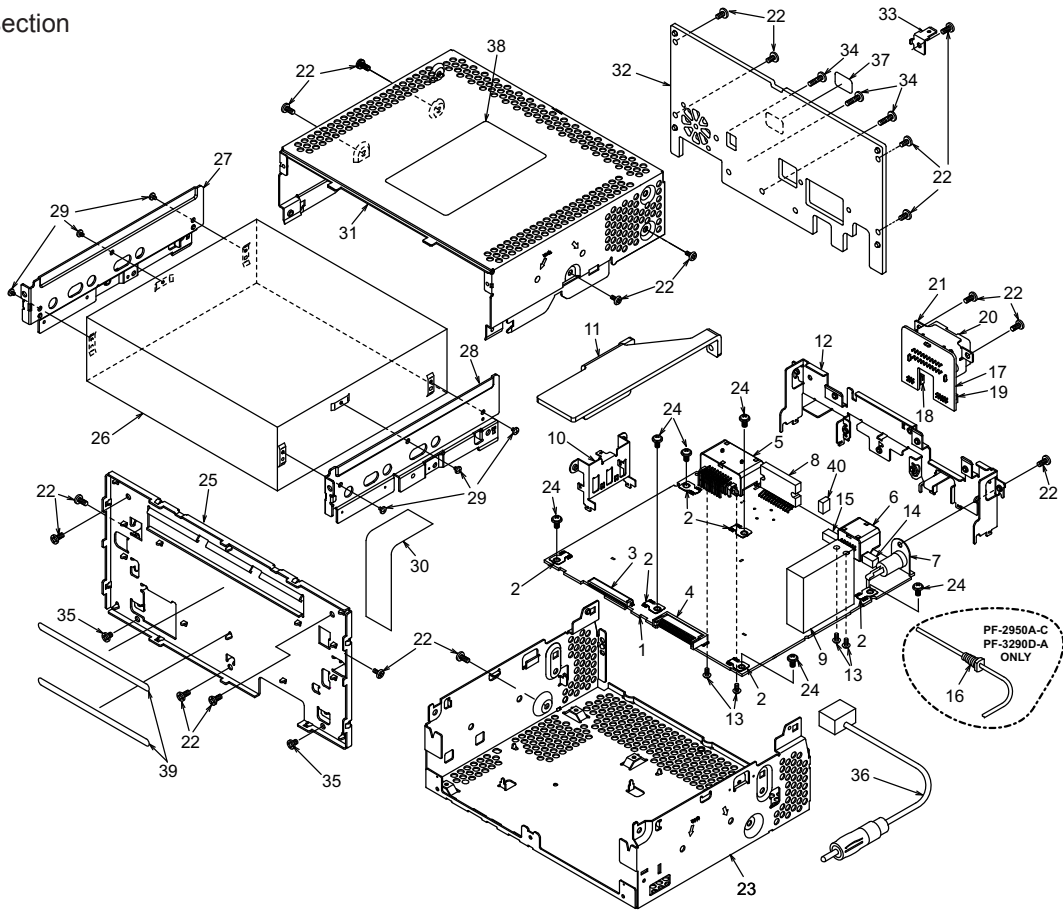


EXPLODED VIEW/PARTS LIST

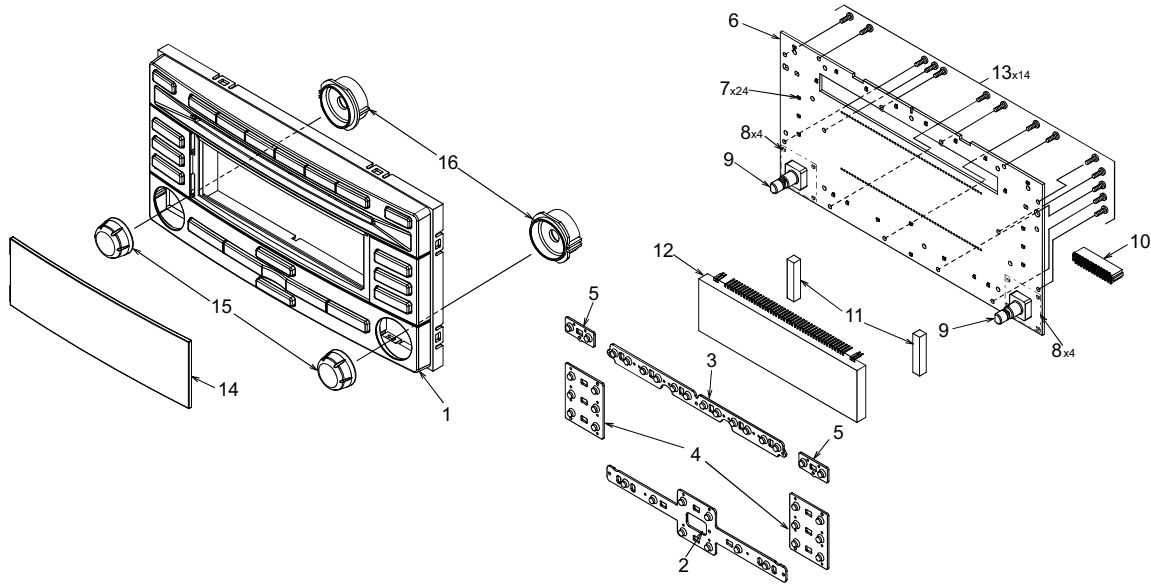
Main section



Note) 1. Several different parts of the same reference number are alternative parts. One of those parts is used in the set.
 2. Some parts depend on each model. The model name is specified in the description.

NO.	PART NO.	DESCRIPTION	Q'TY	NO.	PART NO.	DESCRIPTION	Q'TY
1	-----	Main PWB	1	22	714-2606-8B	MACHINE SCREW (M2.6x6)	18
2	073-0762-90	TERMINAL	6	23	311-1944-00	LOWER CASE	1
3	074-1237-69	SOCKET (19P)	1	24	716-0878-50	SCREW (M2.6x5)	6
4	076-3011-78	PLUG (28P)	1	25	309-0845-11	ES PLATE (6CD)	1
5	074-4009-20	SOCKET (20P)	1	26	929-0420-80	CD-CHANG MECH	1
6	074-1302-08	SOCKET (8P)	1	27	331-4091-10	6CD BRKT (L)	1
7	092-0702-50	ANT-RECEPT	1	28	331-4092-10	6CD BRKT (R)	1
8	051-2040-00	IC (TA8276H)	1	29	716-3552-00	SCREW (M2.3x2.5)	6
9	880-2091E	TUNER	1	30	816-4024-50	FLAT WIRE	1
10	331-4414-00	TR HOLDER	1	31	310-1826-90	UPPER CASE	1
11	313-2019-00	SUB HEAT SINK	1	32	313-2018-10	HEAT SINK	1
12	307-0727-00	REAR PLATE	1	33	331-3579-00	EARTH PLATE	1
13	778-3006-00	TAP SCREW (M3x6)	4	34	714-2610-89	SCREW (M2.6x10)	3
14	076-0368-10	PLUG (10P)	1	35	714-2603-89	SCREW (M2.6x3)	2
15	076-0368-06	PLUG (6P)	1	36	093-2137-01	ANT-JUMPER	1
16	854-7862-50	EXT-LEAD (PF-2950A-C/PF-3290D-A)	1	37	290-8338-28 290-8338-46 290-8338-50	LABEL (H64) (PF-2950A-B) LABEL (H64) (PF-2950A-C) LABEL (H24) (PF-3290D-A)	1
17	-----	SUB PWB	1	38	276-0217-16 276-0217-21 276-0217-36	SETPLATE (PF-2950A-B) SETPLATE (PF-2950A-C) SETPLATE (PF-3290D-A)	1
18	074-0898-06	SOCKET (6P)	1	39	347-8295-01	PROTECTOR	2
19	074-0898-10	SOCKET (10P)	1	40	345-5805-24 345-5805-04	GASKET GASKET	1
20	074-4027-20	SOCKET (20P)	1				
21	331-4413-00	PWB HOLDER	1				

Escutcheon section



Note) 1. Some parts depend on each model. The model name is specified in the description.

NO.	PART NO.	DESCRIPTION	Q'TY	NO.	PART NO.	DESCRIPTION	Q'TY
1	940-8185-61 940-8185-91	ES-Assy (PF-2950A-B/-C) ES-Assy (PF-3290D-A)	1	9	016-0018-21	VRW/SHAFT	2
2	345-6070-00	RUBBER SWITCH (A)	1	10	074-3014-78	SOCKET (28P)	1
3	345-6071-00	RUBBER SWITCH (B)	1	11	345-5995-20	SPACER	2
4	345-6072-00	RUBBER SWITCH (C)	2	12	379-4062-24	LCD(INDICATOR)	1
5	345-6073-00	RUBBER SWITCH (D)	2	13	716-0778-52	SCREW(M2x6)	14
6	-----	Switch PWB	1	14	373-1146-61 373-1146-66	DIAL CVR (PF-2950A-B/-C) DIAL CVR (PF-3290D-A)	1
7	001-7094-91	LED (VFR112H-TR RED)	24	15	380-5700-10	KNOB	2
8	001-7094-92	LED (VFR112H-6A83A2 RED)	8	16	335-8078-00	ILLUMI RING	2

ELECTRICAL PARTS LIST

Main PWB(B1) section

Note) Some parts depend on each model. The model name is specified in the description.

REF No.	PART No.	DESCRIPTION	REF No.	PART No.	DESCRIPTION	REF No.	PART No.	DESCRIPTION
ANT101	092-0702-50	ANT-RECEPT	C301	178-2255-79	2.2uF	C312	178-2255-79	2.2uF
BL101	880-2091E	TUNER PACK	C302	166-2201-50	22pF CH (PF-2950A-B/-C)	C313	178-2255-79	2.2uF
C101	166-8201-50	82pF CH (PF-2950A-B/-C)	C302	168-1822-55	1800pF K (PF-3290D-A)	C314	166-2201-50	22pF CH
C101	166-1501-50	150pF CH (PF-3290D-A)	C303	166-2201-50	22pF CH (PF-2950A-B/-C)	C315	166-2201-50	22pF CH
C102	166-2201-50	22pF CH	C303	168-1822-55	1800pF K (PF-3290D-A)	C316	178-2255-79	2.2uF
C104	168-1042-78	16V 0.1uF K	C304	178-2255-79	2.2uF	C317	178-1052-78	1uF
C105	163-1073-35	16V 100uF	C305	178-2255-79	2.2uF	C318	166-2201-50	22pF CH
C108	168-1022-55	1000pF K	C306	166-2201-50	22pF CH (PF-2950A-B/-C)	C319	166-2201-50	22pF CH
C109	168-1022-55	1000pF K	C306	168-1822-55	1800pF K (PF-3290D-A)	C320	178-1052-78	1uF
C110	168-1042-78	16V 0.1uF K	C307	166-2201-50	22pF CH (PF-2950A-B/-C)	C321	168-1042-78	16V 0.1uF K
C111	163-1073-35	16V 100uF	C307	168-1822-55	1800pF K (PF-3290D-A)	C322	168-1042-78	16V 0.1uF K
C117	168-1042-78	16V 0.1uF K	C307	166-2201-50	22pF CH (PF-2950A-B/-C)	C323	168-1042-78	16V 0.1uF K
C118	178-3342-78	0.33uF	C308	178-2255-79	2.2uF	C324	166-1007-50	10pF CH (PF-2950A-B/-C)
C226	168-2232-55	0.022uF K	C309	178-2255-79	2.2uF	C324	166-8097-50	8pF +/-0.5pF CH (PF-3290D-A)
C227	163-4763-15	6.3V 47uF	C310	166-2201-50	22pF CH	C325	166-1007-50	10pF CH (PF-2950A-B/-C)
C228	168-1042-78	16V 0.1uF K	C311	166-2201-50	22pF CH	C325	166-8097-50	8pF +/-0.5pF CH (PF-3290D-A)
C229	168-1042-78	16V 0.1uF K				C327	168-5622-55	5600pF K
C230	189-2273-29	10V 220uF				C328	168-5622-55	5600pF K
C231	168-1042-78	16V 0.1uF K				C329	168-1042-78	16V 0.1uF K
C233	168-1042-38	50V 0.1uF K						
C238	189-4763-48	25V 470uF						

PF-2950A
PF-3290D

Note) Several different parts of the same reference number are alternative parts.

Note) Some parts depend on each model. The model name is specified in the description.

REF No.	PART No.	DESCRIPTION	REF No.	PART No.	DESCRIPTION	REF No.	PART No.	DESCRIPTION
C331	188-4753-68	50V 4.7uF	C439	178-2255-79	2.2uF	C805	172-1041-15	0.1uF
C334	168-1022-55	1000pF K	C440	178-2255-79	2.2uF	C806	188-1053-68	50V 1uF
C335	168-1022-55	1000pF K	C441	188-1063-38	16V 10uF	C807	172-1041-15	0.1uF
C336	168-1042-78	16V 0.1uF K	C442	166-1007-50	10pF CH	C808	042-1624-00	16V 4700uF
C337	188-4753-68	50V 4.7uF	C443	166-1007-50	10pF CH	C817	168-1042-78	16V 0.1uF K (PF-2950A-B No Used)
C338	168-1042-78	16V 0.1uF K	C444	189-1073-39	16V 100uF			
C339	188-4753-68	50V 4.7uF	C445	168-1042-78	16V 0.1uF K	C820	168-1042-78	16V 0.1uF K (PF-2950A-B/-C)
C340	168-1042-78	16V 0.1uF K	C446	166-1007-50	10pF CH			
C341	168-1042-78	16V 0.1uF K	C447	166-1007-50	10pF CH	C820	168-2242-58	0.22uF K (PF-3290D-A)
C342	168-1042-78	16V 0.1uF K	C448	178-2255-79	2.2uF			
C344	168-1042-78	16V 0.1uF K	C449	178-2255-79	2.2uF	C821	166-1011-50	100pF CH
C345	178-1052-78	1uF	C450	178-2255-79	2.2uF	C822	168-1032-55	0.01uF K
C346	168-1042-78	16V 0.1uF K	C451	178-2255-79	2.2uF	C823	188-1063-38	16V 10uF
C347	168-1042-78	16V 0.1uF K	C501	189-1073-39	16V 100uF	C824	168-1042-38	50V 0.1uF K
C348	189-2273-19	6.3V 220uF	C502	168-1042-78	16V 0.1uF K	C825	189-1073-59	35V 100uF
C350	188-2263-38	16V 22uF	C519	166-1011-50	100pF CH	C826	188-1063-68	50V 10uF
C353	168-1042-78	16V 0.1uF K	C520	166-1011-50	100pF CH	C827	189-4773-62	50V 470uF
C354	042-0423-94	10V 4.7uF	C521	166-2201-50	22pF CH	C828	189-4773-39	16V 470uF
C355	168-1042-78	16V 0.1uF K	C522	166-2201-50	22pF CH	C829	168-1042-38	50V 0.1uF K
C356	163-4763-15	6.3V 47uF	C523	166-2201-50	22pF CH	C830	189-4773-39	16V 470uF
C357	168-1042-78	16V 0.1uF K	C524	166-2201-50	22pF CH	C831	168-1042-38	50V 0.1uF K
C358	168-1042-78	16V 0.1uF K	C525	166-1011-50	100pF CH	C832	168-1042-38	50V 0.1uF K
C359	168-1042-78	16V 0.1uF K	C526	166-1011-50	100pF CH	C833	168-1042-38	50V 0.1uF K
C360	168-1042-78	16V 0.1uF K	C527	043-0311-92	10V 0.22uF B	C834	168-1042-38	50V 0.1uF K
C365	168-1042-78	16V 0.1uF K	C528	043-0311-92	10V 0.22uF B	C835	168-1042-38	50V 0.1uF K
C367	168-1042-78	16V 0.1uF K	C529	043-0311-92	10V 0.22uF B	C836	168-2232-55	0.022uF K
C368	168-1022-55	1000pF K	C530	043-0311-92	10V 0.22uF B	C837	168-2232-55	0.022uF K
C378	042-0643-58	6.3V 330uF	C531	168-1032-55	0.01uF K	C838	189-2273-39	16V 220uF
C379	168-1042-78	16V 0.1uF K	C532	188-1053-68	50V 1uF	C839	168-1042-78	16V 0.1uF K
C380	163-2263-35	16V 22uF	C533	163-1063-35	16V 10uF	C840	042-1334-75	16V 47uF
C381	189-1073-29	10V 100uF	C534	188-1053-68	50V 1uF	C841	188-1063-38	16V 10uF
C382	168-1042-78	16V 0.1uF K	C543	166-2201-50	22pF CH	C842	189-2273-39	16V 220uF
C383	168-1022-55	1000pF K	C558	168-1042-78	16V 0.1uF K	C843	189-4763-48	25V 47uF
C384	178-3342-78	0.33uF	C559	189-1073-39	16V 100uF	C845	168-1042-78	16V 0.1uF K (PF-2950A-B/-C)
C401	188-4763-18	6.3V 47uF	C560	189-1073-29	10V 100uF			
C402	168-1042-78	16V 0.1uF K	C561	163-1073-35	16V 100uF	C845	168-2242-58	0.22uF K (PF-3290D-A)
C403	168-1022-55	1000pF K	C562	168-1042-78	16V 0.1uF K			
C404	168-1042-38	50V 0.1uF K	C564	188-1053-68	50V 1uF	C846	168-1042-78	16V 0.1uF K (PF-2950A-B/-C)
C405	163-1053-65	50V 1uF	C601	168-1032-55	0.01uF K			
C406	163-1053-65	50V 1uF	C602	168-1042-78	16V 0.1uF K	C846	168-2242-58	0.22uF K (PF-3290D-A)
C407	042-0592-58	16V 10uF	C603	189-1073-39	16V 100uF			
C408	042-0592-58	16V 10uF	C604	168-1032-55	0.01uF K	C847	166-1007-50	10pF CH
C409	168-1032-55	0.01uF K	C605	168-1032-55	0.01uF K	C848	166-1007-50	10pF CH
C410	168-1032-55	0.01uF K	C606	166-8097-50	8pF +/-0.5pF CH (PF-2950A-B/-C)	C849	168-1022-55	1000pF K
C411	168-1042-78	16V 0.1uF K				C850	168-1022-55	1000pF K (PF-3290D-A No Used)
C412	042-0592-58	16V 10uF	C606	166-1007-50	10pF CH (PF-3290D-A)			
C413	168-1042-78	16V 0.1uF K						
C414	042-0592-58	16V 10uF	C607	166-8097-50	8pF +/-0.5pF CH (PF-2950A-B/-C)	CCT301	050-0140-53	1/32W 0 ohm x4J
C415	178-2255-79	2.2uF				CCT302	050-0140-53	1/32W 0 ohm x4J
C416	178-2255-79	2.2uF	C607	166-1007-50	10pF CH (PF-3290D-A)	CCT601	050-0140-54	1/32W 1k ohm x4J
C417	178-2255-79	2.2uF				CCT602	050-0140-54	1/32W 1k ohm x4J
C418	178-2255-79	2.2uF	C608	042-0559-00	5.5V 0.1F	CCT603	050-0140-54	1/32W 1k ohm x4J
C419	166-2211-50	220pF CH	C609	189-1073-39	16V 100uF	CCT604	050-0140-54	1/32W 1k ohm x4J
C420	166-2211-50	220pF CH	C610	168-1042-78	16V 0.1uF K			
C421	166-1011-50	100pF CH	C611	188-1063-38	16V 10uF	D106	001-0516-90	MA111
C422	166-1011-50	100pF CH	C612	168-1042-78	16V 0.1uF K	D106	001-0580-90	1SS352
C423	166-1011-50	100pF CH	C613	168-1032-55	0.01uF K	D501	001-0516-90	MA111
C424	166-1011-50	100pF CH	C614	168-1042-78	16V 0.1uF K	D501	001-0580-90	1SS352
C425	168-1042-78	16V 0.1uF K	C615	163-1053-65	50V 1uF	D601	001-0516-90	MA111
C426	178-2255-79	2.2uF	C616	168-1022-55	1000pF K	D601	001-0580-90	1SS352
C427	178-2255-79	2.2uF	C617	168-1022-55	1000pF K	D602	001-0466-90	S5688B
C428	178-2255-79	2.2uF	C701	166-1007-50	10pF CH	D602	001-0534-91	1SR139
C429	178-2255-79	2.2uF	C702	166-1007-50	10pF CH	D602	0012003-91	1A4-J
C430	166-2211-50	220pF CH	C703	166-1007-50	10pF CH	D603	001-0504-36	HZS7 A1L
C431	166-2211-50	220pF CH	C704	166-1007-50	10pF CH	D604	001-4301-25	HZU4.7B1
C432	166-1011-50	100pF CH	C705	166-1007-50	10pF CH	D701	001-4301-32	HZU 5.6B2
C433	166-1011-50	100pF CH	C706	166-1007-50	10pF CH	D702	001-4301-32	HZU 5.6B2
C434	166-1011-50	100pF CH	C800	168-2212-55	220pF K	D703	001-0347-69	MA4180M
C435	166-1011-50	100pF CH	C801	168-2212-55	220pF K	D703	001-0346-99	MTZJ18B
C436	168-1042-78	16V 0.1uF K	C802	168-1032-55	0.01uF K	D703	001-0401-68	HZS18JB2
C437	178-2255-79	2.2uF	C803	168-2212-55	220pF K	D704	001-0347-69	MA4180M
C438	178-2255-79	2.2uF	C804	168-2212-55	220pF K	D704	001-0346-99	MTZJ18B

Note) Several different parts of the same reference number are alternative parts.
 Note) Some parts depend on each model. The model name is specified in the description.

REF No.	PART No.	DESCRIPTION	REF No.	PART No.	DESCRIPTION	REF No.	PART No.	DESCRIPTION
D704	001-0401-68	HZS18JB2	L302	010-3104-54	600 ohm/100MHz	Q308	125-2041-92	RT1N431M
D801	001-4902-92	HZM27FA-TL	L303	010-3104-54	600 ohm/100MHz	Q309	125-2027-91	DTC114EUA
D802	001-0466-90	S5688B	L304	010-3104-54	600 ohm/100MHz	Q309	125-2041-92	RT1N431M
D802	001-0534-91	1SR139	L305	010-3104-54	600 ohm/100MHz	Q501	125-2027-91	DTC114EUA
D802	0012003-91	1A4-J	L306	010-3104-54	600 ohm/100MHz	Q501	125-2041-92	RT1N431M
D803	001-0592-00	RM4Z	L307	010-3104-54	600 ohm/100MHz	Q502	192-4116-00	2SC4116
D804	001-4301-68	HZU18B1	L308	010-3104-54	600 ohm/100MHz	Q502	192-4155-51	2SC4155A S,T
D805	001-0466-90	S5688B	L309	010-3104-54	600 ohm/100MHz	Q601	190-2071-00	2SA2071
D805	001-0534-91	1SR139	L310	010-3104-54	600 ohm/100MHz	Q602	125-2027-91	DTC114EUA
D805	001-2003-91	1A4-J	L311	010-3104-54	600 ohm/100MHz	Q602	125-2041-92	RT1N431M
		(PF-2950A-B No Used)	L312	010-3104-54	600 ohm/100MHz	Q603	193-2118-50	2SD2118F5 R,S
D808	001-4301-68	HZU18B1	L313	010-3104-54	600 ohm/100MHz	Q604	192-4116-00	2SC4116
D809	001-0466-90	S5688B	L314	010-3104-54	600 ohm/100MHz	Q604	192-4155-51	2SC4155A S,T
D809	001-0534-91	1SR139	L318	010-3104-54	600 ohm/100MHz	Q605	192-4116-00	2SC4116
D809	0012003-91	1A4-J	L328	010-3104-54	600 ohm/100MHz	Q605	192-4155-51	2SC4155A S,T
D810	001-0466-90	S5688B	L329	010-3104-54	600 ohm/100MHz	Q701	190-1162-00	2SA1162
D810	001-0534-91	1SR139	L337	010-3104-54	600 ohm/100MHz	Q702	125-2027-91	DTC114EUA
D810	0012003-91	1A4-J	L338	010-3104-54	600 ohm/100MHz	Q702	125-2041-92	RT1N431M
D811	001-0466-90	S5688B	L347	010-3104-54	600 ohm/100MHz	Q703	192-4116-00	2SC4116
D811	001-0534-91	1SR139	L350	010-3104-54	600 ohm/100MHz	Q703	192-4155-51	2SC4155A S,T
D811	0012003-91	1A4-J	L401	010-3104-54	600 ohm/100MHz	Q704	190-1162-00	2SA1162
D812	001-0504-87	HZS33-3L-TJ	L402	010-3104-54	600 ohm/100MHz	Q705	125-2027-91	DTC114EUA
D813	001-0466-90	S5688B	L403	010-3104-54	600 ohm/100MHz	Q705	125-2041-92	RT1N431M
D813	001-0534-91	1SR139	L404	010-3104-54	600 ohm/100MHz	Q706	192-4116-00	2SC4116
D813	0012003-91	1A4-J	L405	010-3104-54	600 ohm/100MHz	Q706	192-4155-51	2SC4155A S,T
D814	001-0466-90	S5688B	L406	010-3104-54	600 ohm/100MHz	Q709	192-4116-00	2SC4116
D814	001-0534-91	1SR139	L501	010-6009-76	22uH J	Q709	192-4155-51	2SC4155A S,T
D814	0012003-91	1A4-J	L503	010-3407-66	22uH J	Q710	190-1162-00	2SA1162
D815	001-0466-90	S5688B	L504	010-3104-54	600 ohm/100MHz	Q711	125-2027-91	DTC114EUA
D815	001-0534-91	1SR139	L505	010-3104-54	600 ohm/100MHz	Q711	125-2041-92	RT1N431M
D815	0012003-91	1A4-J	L801	010-3407-66	22uH J	Q804	192-4116-00	2SC4116
D816	001-4301-37	HZU6.8B1	L803	010-3601-50	600 ohm/100MHz	Q804	192-4155-51	2SC4155A S,T
D817	001-0347-69	MA4180M	L806	010-8026-00	210uH			(PF2950A-B No Used)
D817	001-0346-99	MTZJ18B	P601	076-0478-59	9P	Q807	190-2071-00	2SA2071
D817	001-0401-68	HZS18JB2	P602	076-3011-78	28P	Q808	192-4116-00	2SC4116
D818	001-0516-90	MA111	P701	076-0368-06	6P	Q808	192-4155-51	2SC4155A S,T
D818	001-0580-90	1SS352	P702	076-0368-10	10P	Q809	192-4116-00	2SC4116
IC102	051-3368-90	NJM2886DL3-05-TE1	Q101	192-4116-00	2SC4116	Q809	192-4155-51	2SC4155A S,T
IC206	051-3367-90	NJU7780U1-33-TE2	Q101	191-1197-50	2SB1197K Q,R	Q810	190-1048-00	2SA1048
IC207	051-3334-00	NJM2396F09	Q102	190-1365-50	2SA1365 F,G	Q811	192-2873-00	2SC2873
IC301	-----	SAF7730HV/N332	Q103	125-2027-91	DTC114EUA	Q811	192-4357-00	2SC4357
IC302	051-3396-90	NJM2386ADL3-33-TE1	Q103	125-2041-92	RT1N431M	Q812	190-2071-00	2SA2071
			Q202	192-4116-00	2SC4116	Q813	192-4116-00	2SC4116
IC401	051-3333-00	NJM2396F05	Q202	192-4155-51	2SC4155A S,T	Q813	192-4155-51	2SC4155A S,T
IC402	051-6728-90	PCM1793DBR	Q203	125-2027-91	DTC114EUA	Q814	192-5886-00	2SC5886
IC403	051-6728-90	PCM1793DBR	Q203	125-2041-92	RT1N431M	Q815	190-1428-00	2SA1428
IC404	051-3042-90	OPA2134UA	Q204	125-0021-91	DTA114EUA	Q816	192-3668-00	2SC3668
IC405	051-3042-90	OPA2134UA	Q204	125-0034-92	RT1P141M	Q817	190-1428-00	2SA1428
IC406	051-5840-90	CL7688E10	Q205	125-2027-91	DTC114EUA	Q818	192-3668-00	2SC3668
IC502	051-3019-90	NJM2060V	Q205	125-2041-92	RT1N431M	Q819	190-1428-00	2SA1428
IC503	051-2040-00	TA8276H	Q206	193-0601-00	2SD601A	Q820	192-3668-00	2SC3668
IC507	051-3034-90	NJM4558V	Q207	198-3018-00	2SK3018	Q821	103-2012-00	2SD2012
IC508	051-3397-90	NJM2386ADL3-09-TE1	Q208	198-3018-00	2SK3018	Q821	103-2394-00	2SD2394
			Q209	125-0021-91	DTA114EUA	Q822	103-1684-00	2SD1684 R,S,T
IC601	052-3214-12	M30873MHA-C14GP (PF-2950A-B)	Q209	125-0034-92	RT1P141M	Q823	190-1162-00	2SA1162
			Q210	125-2027-91	DTC114EUA	Q824	125-2027-91	DTC114EUA
IC601	052-3214-13	M30873MHA-729GP (PF-2950A-C)	Q210	125-2041-92	RT1N431M	Q824	125-2041-92	RT1N431M
			Q301	125-7005-90	PHK04P02T	R101	119-0000-05	1/10W 0 ohm JW
IC601	052-3214-30	M30876MJA-739GP (PF-3290D-A)	Q302	125-2027-91	DTC114EUA	R104	119-0000-05	1/10W 0 ohm JW
			Q302	125-2041-92	RT1N431M	R107	119-0000-05	1/10W 0 ohm JW
IC602	051-9426-90	S-24CS16A01-T8T1G	Q303	125-2027-91	DTC114EUA	R108	119-2741-15	1/10W 270k ohm
IC603	051-6600-58	HA12187FP	Q303	125-2041-92	RT1N431M	R109	119-1031-15	1/10W 10k ohm
IC604	051-0869-58	NJM2103M	Q304	125-2027-91	DTC114EUA	R110	119-1031-15	1/10W 10k ohm
IC801	051-6623-18	TJA1054AT-N1	Q304	125-2041-92	RT1N431M	R111	119-1011-15	1/10W 100 ohm
IC802	051-0172-08	TC4011BF	Q305	125-2027-91	DTC114EUA	R112	119-1011-15	1/10W 100 ohm
J202	074-1237-69	19P	Q305	125-2041-92	RT1N431M	R113	119-1011-15	1/10W 100 ohm
J801	074-4009-20	20P	Q306	125-2027-91	DTC114EUA	R119	119-4731-15	1/10W 47k ohm
J802	074-1302-08	8P	Q306	125-2041-92	RT1N431M	R120	116-1021-15	1/4W 1k ohm
L101	010-2003-04	30uH	Q307	125-2027-91	DTC114EUA	R121	119-1031-15	1/10W 10k ohm
L114	010-6009-76	22uH J	Q307	125-2041-92	RT1N431M	R225	119-4731-15	1/10W 47k ohm
L301	010-3104-54	600 ohm/100MHz	Q308	125-2027-91	DTC114EUA	R226	119-1041-15	1/10W 100k ohm

PF-2950A
PF-3290D

Note) Some parts depend on each model. The model name is specified in the description.

REF No.	PART No.	DESCRIPTION	REF No.	PART No.	DESCRIPTION	REF No.	PART No.	DESCRIPTION
R227	119-1021-15	1/10W 1k ohm	R414	032-0140-54	1/10W 22k ohm F	R627	119-4721-15	1/10W 4.7k ohm
R228	119-3331-15	1/10W 33k ohm	R415	032-0140-54	1/10W 22k ohm F	R628	119-4721-15	1/10W 4.7k ohm
R229	119-4731-15	1/10W 47k ohm	R416	032-0140-54	1/10W 22k ohm F	R629	032-0140-24	1/10W 82 ohm F
R230	119-3331-15	1/10W 33k ohm	R417	032-0140-54	1/10W 22k ohm F	R630	032-0140-11	1/10W 300 ohm F
R231	119-0000-05	1/10W 0 ohm JW	R418	032-0140-54	1/10W 22k ohm F	R631	119-1031-15	1/10W 10k ohm
R232	119-4721-15	1/10W 4.7k ohm	R419	032-0140-54	1/10W 22k ohm F	R632	119-1031-15	1/10W 10k ohm
R233	119-3331-15	1/10W 33k ohm	R420	032-0140-54	1/10W 22k ohm F	R633	119-1031-15	1/10W 10k ohm
R234	119-4721-15	1/10W 4.7k ohm	R421	032-0140-54	1/10W 22k ohm F	R634	119-1021-15	1/10W 1k ohm
R235	119-4731-15	1/10W 47k ohm	R422	032-0140-54	1/10W 22k ohm F	R635	119-1031-15	1/10W 10k ohm
R301	032-0140-51	1/10W 15k ohm F	R423	032-0140-54	1/10W 22k ohm F	R636	116-1001-15	1/4W 10 ohm
R302	032-0140-51	1/10W 15k ohm F	R424	032-0140-54	1/10W 22k ohm F	R638	119-6821-15	1/10W 6.8k ohm
R303	032-0140-51	1/10W 15k ohm F	R425	032-0140-54	1/10W 22k ohm F	R639	119-1011-15	1/10W 100 ohm
R304	032-0140-51	1/10W 15k ohm F	R426	032-0140-54	1/10W 22k ohm F	R640	119-1011-15	1/10W 100 ohm
R305	032-0140-51	1/10W 15k ohm F	R427	032-0140-54	1/10W 22k ohm F	R641	119-4721-15	1/10W 4.7k ohm
R306	032-0140-51	1/10W 15k ohm F	R428	032-0140-54	1/10W 22k ohm F	R642	119-4721-15	1/10W 4.7k ohm
R307	032-0140-51	1/10W 15k ohm F	R429	032-0140-54	1/10W 22k ohm F	R643	119-4731-15	1/10W 47k ohm
R308	032-0140-51	1/10W 15k ohm F	R430	032-0140-54	1/10W 22k ohm F	R644	119-4731-15	1/10W 47k ohm
R309	119-1531-15	1/10W 15k ohm	R431	032-0140-54	1/10W 22k ohm F	R645	119-6831-15	1/10W 68k ohm
R310	119-1531-15	1/10W 15k ohm	R432	032-0140-54	1/10W 22k ohm F	R646	119-3341-15	1/10W 330k ohm
R311	119-1031-15	1/10W 10k ohm	R433	032-0140-54	1/10W 22k ohm F	R647	032-0140-22	1/10W 68k ohm F
R312	119-1031-15	1/10W 10k ohm	R438	119-1051-15	1/10W 1M ohm	R648	032-0140-00	1/10W 56k ohm F
R313	119-1011-15	1/10W 100 ohm	R439	119-6811-15	1/10W 680 ohm	R649	119-4731-15	1/10W 47k ohm
R314	119-1021-15	1/10W 1k ohm	R521	119-1531-15	1/10W 15k ohm	R650	119-5621-15	1/10W 5.6k ohm
R315	119-2201-15	1/10W 22 ohm	R522	119-1531-15	1/10W 15k ohm	R651	119-1021-15	1/10W 1k ohm
R316	119-3921-15	1/10W 3.9k ohm	R523	119-0000-05	1/10W 0 ohm JW	R652	119-4731-15	1/10W 47k ohm
R317	119-3921-15	1/10W 3.9k ohm	R524	119-0000-05	1/10W 0 ohm JW	R653	119-3321-15	1/10W 3.3k ohm
R319	119-3921-15	1/10W 3.9k ohm	R525	119-0000-05	1/10W 0 ohm JW	R654	119-1831-15	1/10W 18k ohm
R320	119-3921-15	1/10W 3.9k ohm	R526	119-0000-05	1/10W 0 ohm JW	R701	119-2231-15	1/10W 22k ohm
R321	119-1031-15	1/10W 10k ohm	R527	119-1031-15	1/10W 10k ohm	R702	119-2231-15	1/10W 22k ohm
R322	119-1031-15	1/10W 10k ohm	R528	119-1031-15	1/10W 10k ohm	R703	119-1041-15	1/10W 100k ohm
R325	119-1021-15	1/10W 1k ohm	R529	119-1031-15	1/10W 10k ohm	R704	119-1021-15	1/10W 1k ohm
R326	119-1011-15	1/10W 100 ohm	R530	119-1031-15	1/10W 10k ohm	R705	119-1021-15	1/10W 1k ohm
R327	119-1011-15	1/10W 100 ohm	R531	119-1531-15	1/10W 15k ohm	R706	119-4731-15	1/10W 47k ohm
R330	119-0000-05	1/10W 0 ohm JW	R532	119-1531-15	1/10W 15k ohm	R707	119-4731-15	1/10W 47k ohm
R331	032-0140-89	1/10W 47k ohm F	R533	119-1031-15	1/10W 10k ohm	R708	119-4731-15	1/10W 47k ohm
R332	032-0140-89	1/10W 47k ohm F	R534	119-1031-15	1/10W 10k ohm	R709	119-1021-15	1/10W 1k ohm
R333	032-0140-89	1/10W 47k ohm F	R535	119-1031-15	1/10W 10k ohm	R710	119-2231-15	1/10W 22k ohm
R334	032-0140-89	1/10W 47k ohm F	R536	119-1031-15	1/10W 10k ohm	R711	119-2231-15	1/10W 22k ohm
R335	119-0000-05	1/10W 0 ohm JW	R537	119-5631-15	1/10W 56k ohm	R712	119-1021-15	1/10W 1k ohm
R336	119-0000-05	1/10W 0 ohm JW	R538	119-1521-15	1/10W 1.5k ohm	R713	119-1041-15	1/10W 100k ohm
R339	032-0140-50	1/10W 10k ohm F	R539	119-1031-15	1/10W 10k ohm	R714	119-4731-15	1/10W 47k ohm
R340	032-0140-50	1/10W 10k ohm F	R540	119-2221-15	1/10W 2.2k ohm	R715	119-4731-15	1/10W 47k ohm
R341	032-0140-50	1/10W 10k ohm F	R541	119-2221-15	1/10W 2.2k ohm	R716	119-1021-15	1/10W 1k ohm
R342	032-0140-50	1/10W 10k ohm F	R542	119-2221-15	1/10W 2.2k ohm	R719	119-1021-15	1/10W 1k ohm
R343	119-0000-05	1/10W 0 ohm JW	R543	119-2221-15	1/10W 2.2k ohm	R720	119-4731-15	1/10W 47k ohm
R344	119-0000-05	1/10W 0 ohm JW	R544	119-4731-15	1/10W 47k ohm	R721	119-4731-15	1/10W 47k ohm
R345	032-0140-50	1/10W 10k ohm F	R545	119-4731-15	1/10W 47k ohm	R722	119-4731-15	1/10W 47k ohm
R346	032-0140-50	1/10W 10k ohm F	R546	119-1031-15	1/10W 10k ohm	R723	119-1021-15	1/10W 1k ohm
R348	119-4731-15	1/10W 47k ohm	R572	119-8211-15	1/10W 820 ohm	R724	119-2231-15	1/10W 22k ohm
R349	119-1031-15	1/10W 10k ohm	R573	119-1021-15	1/10W 1k ohm	R725	119-2231-15	1/10W 22k ohm
R358	119-4731-15	1/10W 47k ohm	R574	119-4731-15	1/10W 47k ohm	R726	116-1211-15	1/4W 120 ohm
R359	119-4731-15	1/10W 47k ohm	R601	119-4721-15	1/10W 4.7k ohm	R727	116-1211-15	1/4W 120 ohm
R360	119-4731-15	1/10W 47k ohm	R602	119-4721-15	1/10W 4.7k ohm	R803	119-1041-15	1/10W 100k ohm
R361	119-4731-15	1/10W 47k ohm	R603	119-1011-15	1/10W 100 ohm	R807	119-1041-15	1/10W 100k ohm
R362	119-4731-15	1/10W 47k ohm	R604	119-1011-15	1/10W 100 ohm	R808	119-1041-15	1/10W 100k ohm
R363	119-4731-15	1/10W 47k ohm	R609	119-4721-15	1/10W 4.7k ohm	R809	116-1521-15	1/4W 1.5k ohm
R364	119-1001-15	1/10W 10 ohm	R610	119-4721-15	1/10W 4.7k ohm	R810	116-1521-15	1/4W 1.5k ohm
R365	119-4731-15	1/10W 47k ohm	R611	119-4721-15	1/10W 4.7k ohm	R813	119-0000-05	1/10W 0 ohm JW
R367	119-0000-05	1/10W 0 ohm JW	R612	119-4721-15	1/10W 4.7k ohm	R814	111-5621-94	1/4W 5.6k ohm
R401	119-4731-15	1/10W 47k ohm	R614	119-4721-15	1/10W 4.7k ohm	R815	116-4721-15	1/4W 4.7k ohm
R402	119-2201-15	1/10W 22 ohm	R615	119-4721-15	1/10W 4.7k ohm	R817	119-4731-15	1/10W 47k ohm (PF2950A-B No Used)
R403	119-2201-15	1/10W 22 ohm	R616	119-4731-15	1/10W 47k ohm			
R404	119-2201-15	1/10W 22 ohm	R617	119-4731-15	1/10W 47k ohm			
R405	119-1811-15	1/10W 180 ohm	R618	119-4731-15	1/10W 47k ohm	R818	119-1531-15	1/10W 15k ohm (PF2950A-B No Used)
R406	119-2201-15	1/10W 22 ohm	R619	119-4731-15	1/10W 47k ohm			
R407	119-2201-15	1/10W 22 ohm	R620	119-4721-15	1/10W 4.7k ohm			
R408	119-2201-15	1/10W 22 ohm	R621	119-4721-15	1/10W 4.7k ohm	R819	119-3931-15	1/10W 39k ohm (PF2950A-B No Used)
R409	119-1811-15	1/10W 180 ohm	R622	119-1031-15	1/10W 10k ohm			
R410	032-0140-54	1/10W 22k ohm F	R623	119-1021-15	1/10W 1k ohm			
R411	032-0140-54	1/10W 22k ohm F	R624	119-1011-15	1/10W 100 ohm	R820	119-4721-15	1/10W 4.7k ohm (PF2950A-B No Used)
R412	032-0140-54	1/10W 22k ohm F	R625	119-4721-15	1/10W 4.7k ohm			
R413	032-0140-54	1/10W 22k ohm F	R626	119-1011-15	1/10W 100 ohm			

REF No.	PART No.	DESCRIPTION
R829	119-1021-15	1/10W 1k ohm
R830	117-1031-15	1/8W 10k ohm
R831	116-2221-15	1/4W 2.2k ohm
R832	119-3321-15	1/10W 3.3k ohm
R833	119-1031-15	1/10W 10k ohm
R834	116-2221-15	1/4W 2.2k ohm
R835	119-4731-15	1/10W 47k ohm
R836	119-2231-15	1/10W 22k ohm
R837	119-3331-15	1/10W 33k ohm
R838	119-3321-15	1/10W 3.3k ohm
R839	119-1031-15	1/10W 10k ohm
R840	119-2221-15	1/10W 2.2k ohm
R841	116-4721-15	1/4W 4.7k ohm
R843	111-1831-94	1/4W 18k ohm
R844	119-1031-15	1/10W 10k ohm
R845	116-2221-15	1/4W 2.2k ohm

REF No.	PART No.	DESCRIPTION
R846	119-3321-15	1/10W 3.3k ohm
R847	116-2221-15	1/4W 2.2k ohm
R848	111-2221-94	1/4W 2.2k ohm
R849	119-5631-15	1/10W 56k ohm
R850	111-2721-88	1/2W 2.7k ohm
R851	111-1521-94	1/4W 1.5k ohm
R852	111-1521-94	1/4W 1.5k ohm
R853	111-1521-94	1/4W 1.5k ohm
R854	119-1231-15	1/10W 12k ohm
R855	119-1231-15	1/10W 12k ohm
R856	119-4731-15	1/10W 47k ohm
R857	119-4731-15	1/10W 47k ohm
R858	116-1021-15	1/4W 1k ohm
R859	119-4711-15	1/10W 470 ohm
R860	116-5621-15	1/4W 5.6k ohm
R861	119-1031-15	1/10W 10k ohm

REF No.	PART No.	DESCRIPTION
SUP102	060-0122-91	DSP-141N-S00B
TH801	002-0318-21	THERMISTOR
TM101	073-0762-90	TERMINAL
TM102	073-0778-90	TERMINAL
TM201	073-0762-90	TERMINAL
TM301	073-0778-90	TERMINAL
TM401	073-0762-90	TERMINAL
TM601	073-0762-90	TERMINAL
TM801	073-0762-90	TERMINAL
TM802	073-0762-90	TERMINAL
X301	061-3537-90	41.6MHz
X401	060-1550-90	4.023MHz
X601	061-3541-90	10.00MHz
PWB	039-3149-02	PWB(WITHOUT COMPONENTS)

Switch PWB(B2) section

REF No.	PART No.	DESCRIPTION
C1	168-1022-55	1000pF K
C2	168-1042-78	16V 0.1uF K
C3	043-0328-90	0.1uF
C4	043-0328-90	0.1uF
C5	178-1052-78	1uF
D5	001-7094-91	VFR1112H-TR
D6	001-7094-91	VFR1112H-TR
D7	001-7094-91	VFR1112H-TR
D8	001-7094-91	VFR1112H-TR
D9	001-7094-92	VFR1112H-6A83A2
D10	001-7094-92	VFR1112H-6A83A2
D11	001-7094-92	VFR1112H-6A83A2
D12	001-7094-92	VFR1112H-6A83A2
D13	001-7094-92	VFR1112H-6A83A2
D14	001-7094-92	VFR1112H-6A83A2
D15	001-7094-92	VFR1112H-6A83A2
D16	001-7094-92	VFR1112H-6A83A2
D17	001-7094-91	VFR1112H-TR
D18	001-7094-91	VFR1112H-TR
D19	001-7094-91	VFR1112H-TR
D20	001-7094-91	VFR1112H-TR
D21	001-7094-91	VFR1112H-TR
D22	001-7094-91	VFR1112H-TR
D23	001-7094-91	VFR1112H-TR
D24	001-7094-91	VFR1112H-TR
D25	001-7094-91	VFR1112H-TR
D26	001-7094-91	VFR1112H-TR
D27	001-7094-91	VFR1112H-TR
D28	001-7094-91	VFR1112H-TR
D29	001-7094-91	VFR1112H-TR

REF No.	PART No.	DESCRIPTION
D30	001-7094-91	VFR1112H-TR
D31	001-7094-91	VFR1112H-TR
D32	001-7094-91	VFR1112H-TR
D33	001-7094-91	VFR1112H-TR
D34	001-7094-91	VFR1112H-TR
D35	001-2403-90	M1F60
D36	001-2403-90	M1F60
D37	001-2403-90	M1F60
D38	001-7094-91	VFR1112H-TR
D39	001-7094-91	VFR1112H-TR
FIL1	379-4062-24	INDICATOR (VFD)
IC1	051-6642-08	LC75700T
IC2	051-6059-10	ML9203-06GA
J1	074-3014-78	28P
L1	010-3407-66	22uH J
L2	010-3407-66	22uH J
R1	119-1031-15	1/10W 10k ohm
R2	119-1021-15	1/10W 1k ohm
R3	119-3931-15	1/10W 39k ohm
R4	119-0000-05	1/10W 0 ohm JW
R5	119-0000-05	1/10W 0 ohm JW
R6	119-6821-15	1/10W 6.8k ohm
R7	119-8221-15	1/10W 8.2k ohm
R8	119-6821-15	1/10W 6.8k ohm
R9	119-8221-15	1/10W 8.2k ohm
R10	119-6821-15	1/10W 6.8k ohm
R11	119-6821-15	1/10W 6.8k ohm
R12	119-1031-15	1/10W 10k ohm
R13	119-1231-15	1/10W 12k ohm
R14	119-1031-15	1/10W 10k ohm

REF No.	PART No.	DESCRIPTION
R15	119-1231-15	1/10W 12k ohm
R16	119-1031-15	1/10W 10k ohm
R17	119-1231-15	1/10W 12k ohm
R18	119-1031-15	1/10W 10k ohm
R19	119-1231-15	1/10W 12k ohm
R20	119-3921-15	1/10W 3.9k ohm
R21	119-3921-15	1/10W 3.9k ohm
R22	119-2721-15	1/10W 2.7k ohm
R23	119-3321-15	1/10W 3.3k ohm
R24	119-2721-15	1/10W 2.7k ohm
R25	119-3321-15	1/10W 3.3k ohm
R26	119-3921-15	1/10W 3.9k ohm
R27	119-4721-15	1/10W 4.7k ohm
R28	119-3921-15	1/10W 3.9k ohm
R29	119-4721-15	1/10W 4.7k ohm
R30	119-2721-15	1/10W 2.7k ohm
R31	119-3321-15	1/10W 3.3k ohm
R32	119-2721-15	1/10W 2.7k ohm
R33	119-3321-15	1/10W 3.3k ohm
R35	119-3321-15	1/10W 3.3k ohm
R36	119-3921-15	1/10W 3.9k ohm
R37	119-1021-15	1/10W 1k ohm
TM1	073-0778-90	TERMINAL
VR1	016-0018-21	ROTALY ENCODER
VR2	016-0018-21	ROTALY ENCODER
X1	060-1550-90	4.023MHz
PWB	039-3063-00	PWB(WITHOUT COMPONENTS)

SUB PWB(B3) section

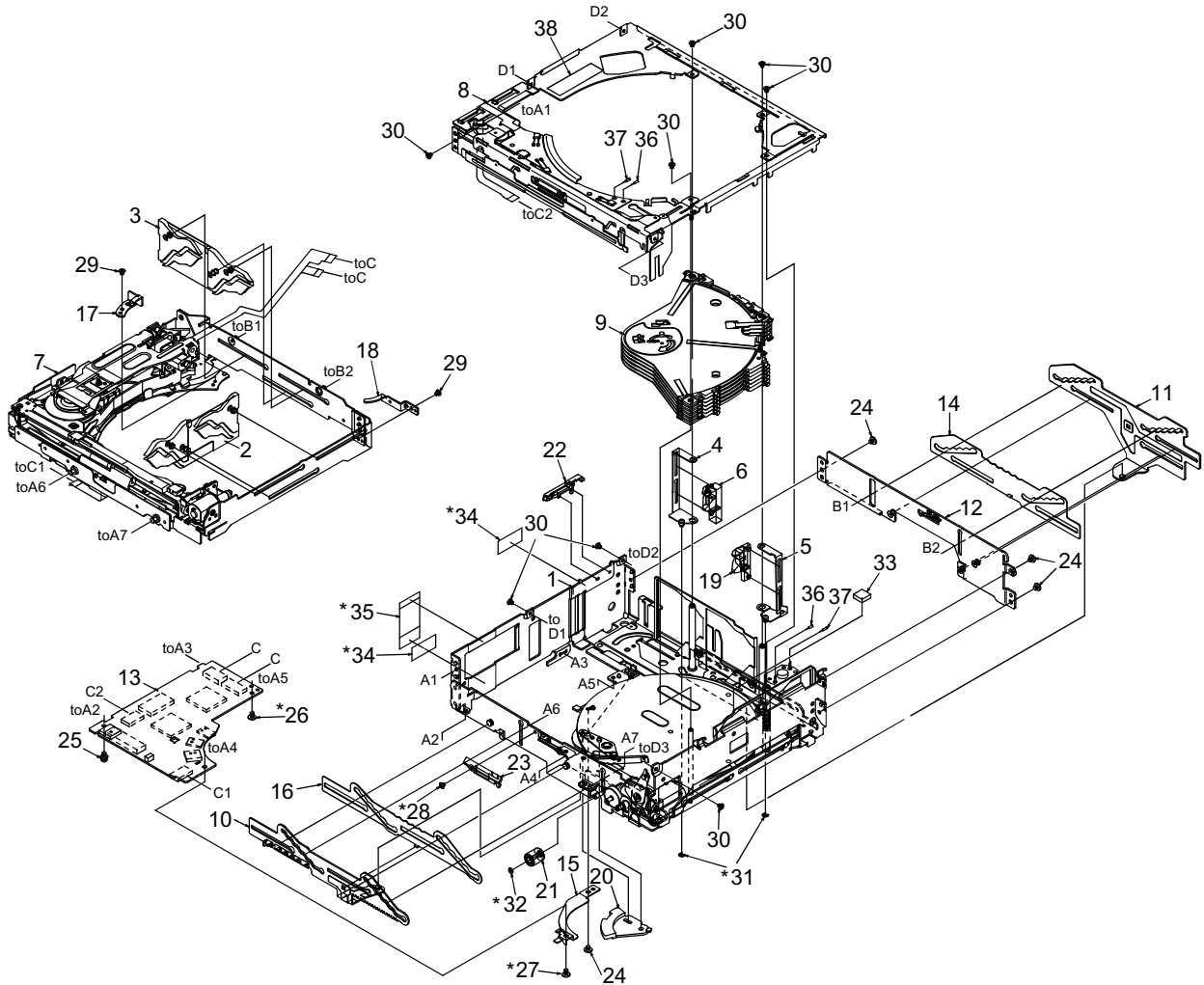
REF No.	PART No.	DESCRIPTION
C901	166-1007-50	50V 10pF
C902	166-1007-50	50V 10pF
C903	172-1041-11	50V 0.1uF
C904	166-1007-50	50V 10pF

REF No.	PART No.	DESCRIPTION
C905	166-1007-50	50V 10pF
J901	074-0898-06	6P
J902	074-0898-10	10P
J903	074-4027-20	20P

REF No.	PART No.	DESCRIPTION
PWB	039-3062-00	PWB(WITHOUT COMPONENTS)

EXPLODED VIEW/PARTS LIST

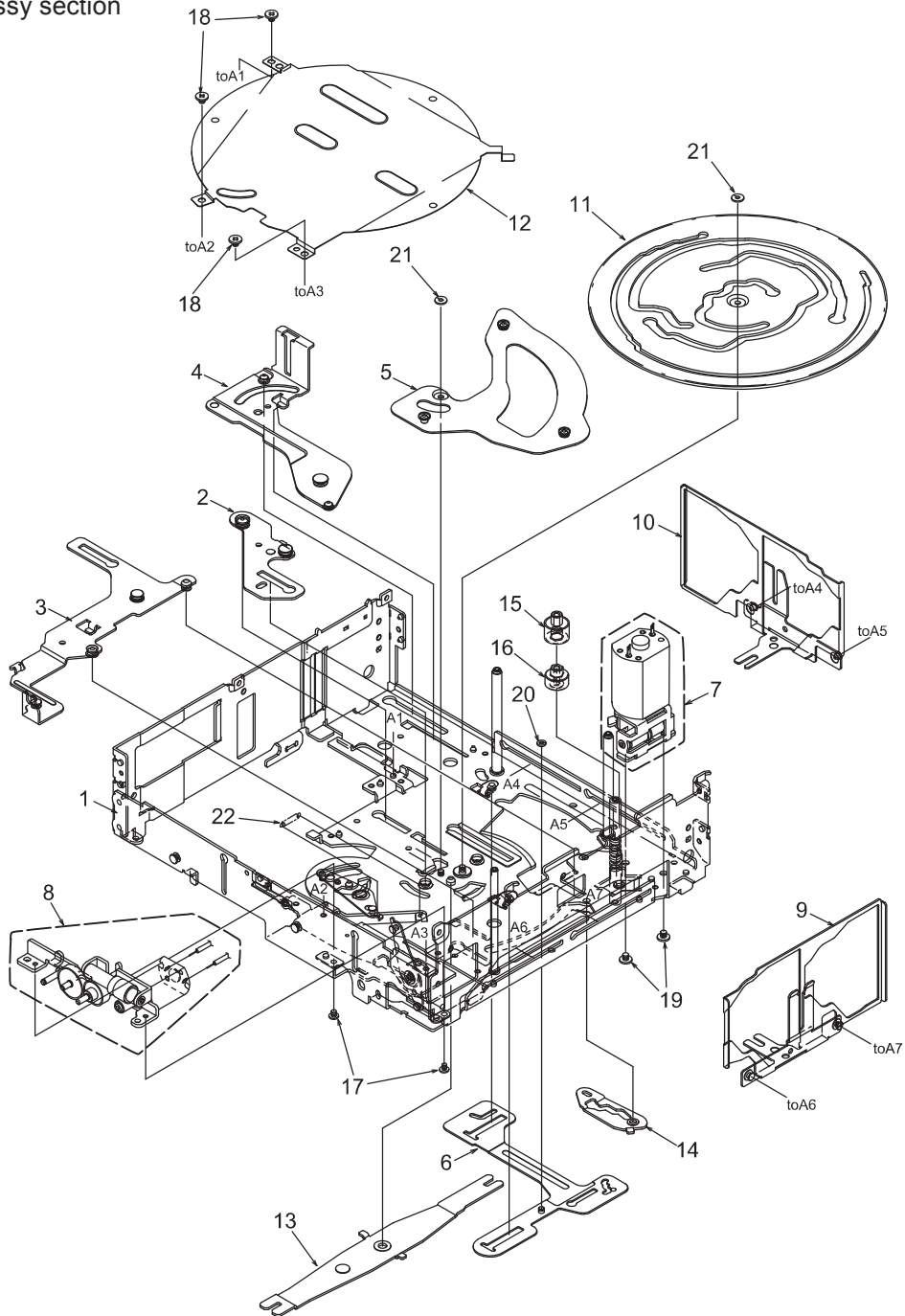
Main section



* Do not reuse the following parts.
(No.26,27,28,31,32,34,35)

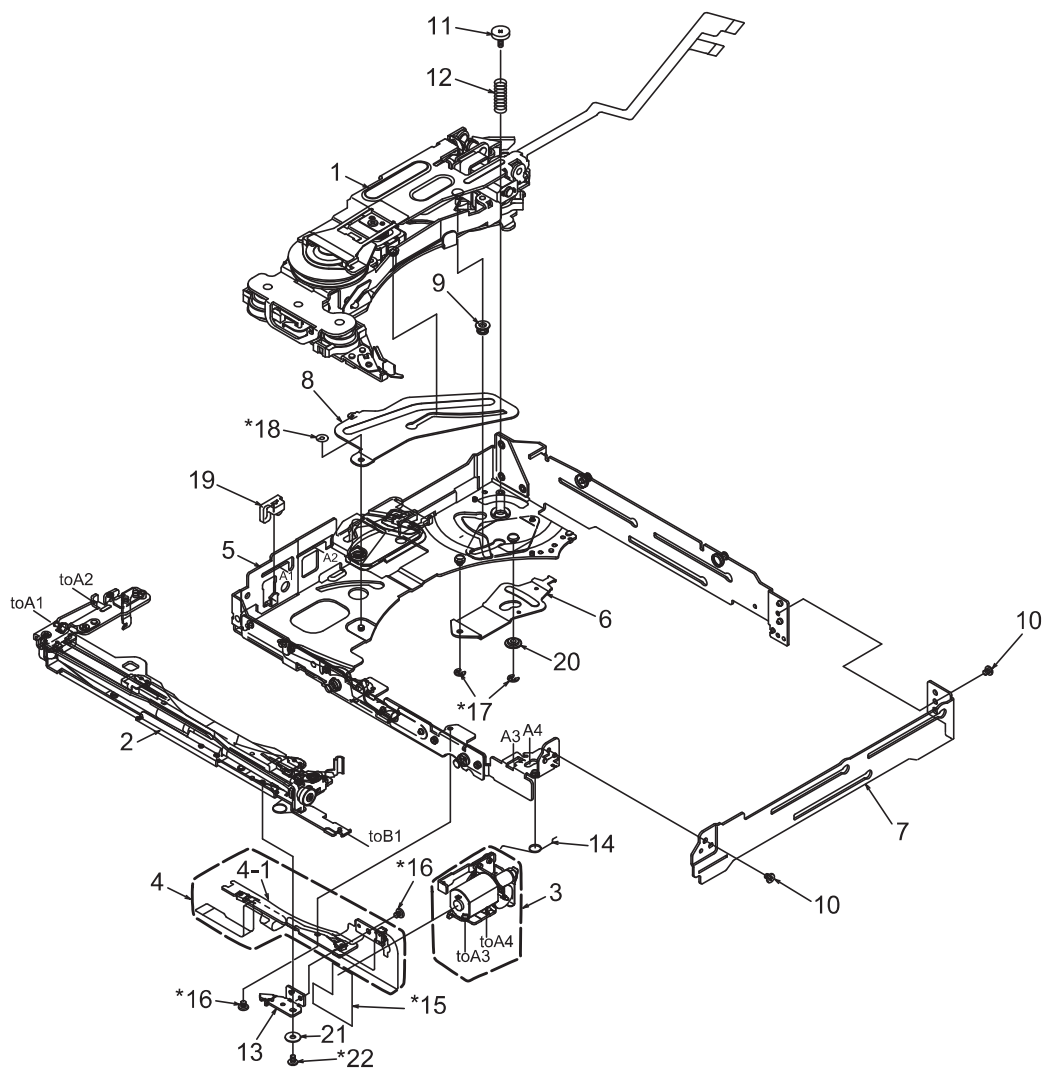
NO.	PART NO.	DESCRIPTION	Q'TY	NO.	PART NO.	DESCRIPTION	Q'TY
1	-----	LOWER UNIT ASSY	1	20	621-1812-20	SW LINK	1
2	HBS-617-100	KUSABI-ASSY-S	1	21	621-1765-20	UD-GEAR-D	1
3	HBS-618-100	KUSABI-ASSY-R	1	22	621-1715-20	FPC-STOPPER	1
4	966-1846-20	DS-SP-ASSY L	1	23	621-1736-20	UD-GEAR-B	1
5	966-1847-21	DS-SP ASSY R	1	24	716-1850-01	SCREW(M2.0x2)	4
6	966-0667-21	DISC STP-ASSY L	1	25	716-3598-00	SCREW(M2.0x4)	1
7	966-1844-21	DRIVE-CH UNIT	1	26	716-3599-00	SCREW(M2.0x2 sealock)	1
8	966-1840-22	UPPER UNIT ASSY	1	27	716-3600-00	SCREW(M2.0x3 sealock)	1
9	HBS-602-100	DISCHOLDER UNIT	1	28	716-3601-00	SCREW(M1.7x2 sealock)	1
10	966-1771-21	SLIDE-P-ASSY	1	29	716-3450-00	SCREW(M1.7x2.0)	2
11	966-1814-21	SLIDE-P-ASSY-R	1	30	716-3451-01	SCREW(M1.7x2.5)	8
12	966-1874-20	REAR-P-ASSY R	1	31	744-0045-01	C-RING	2
13	HBS-631-100	CD PWB ASSY	1	32	746-0761-00	WASHER	1
14	620-1662-21	GAP PLATE R	1	33	345-5824-00	RUBBER PART	1
15	620-1640-20	SW-H-PLATE	1	34	347-8230-00	PROTECT SHEET	2
16	620-1778-21	GAP PLATE F	1	35	347-8219-00	FPC-SHEET N	1
17	620-1685-21	DS-PLATE L	1	36	800-4921-60	VINYL-COAT-WIRE(BLAK)	1
18	620-1686-20	DS-PLATE R	1	37	802-4921-60	VINYL-COAT-WIRE(RED)	1
19	621-1815-20	DISC STOPPER R	1	38	293-8575-00	MECH LABEL	1

Lower unit assy section



NO.	PART NO.	DESCRIPTION	Q'TY	NO.	PART NO.	DESCRIPTION	Q'TY
1	966-1834-24	LOWER-C-ASSY	1	12	620-1624-24	GEAR COVER	1
2	966-0658-22	DH-SP-ASSY	1	13	620-1848-21	UD LINK	1
3	966-1836-20	TATSU-P-ASSY	1	14	620-1847-91	DS-SHIFT LINK	1
4	966-1832-20	D-SHT PL-B-ASSY	1	15	621-1811-21	M-GEAR B	1
5	966-0659-22	DH-SP-ASSY B	1	16	621-0733-20	M-GEAR C	1
6	966-1835-92	DS-SP-ASSY	1	17	716-3451-01	SCREW(M1.7x2.5)	2
7	HBS-622-100	M-MTR SUB ASSY	1	18	716-1850-01	SCREW(M2.0x2.0)	3
8	HBS-616-100	UD-MOTOR-ASSY	1	19	716-1851-03	SCREW(M2.0x3.0)	2
9	966-1872-20	INITIAL ASSY S	1	20	746-0870-00	WASHER	1
10	966-1873-20	INITIAL ASSY R	1	21	746-0768-00	WASHER	2
11	620-1623-24	CAM GEAR	1	22	750-6756-21	SW-L-SPRING	1

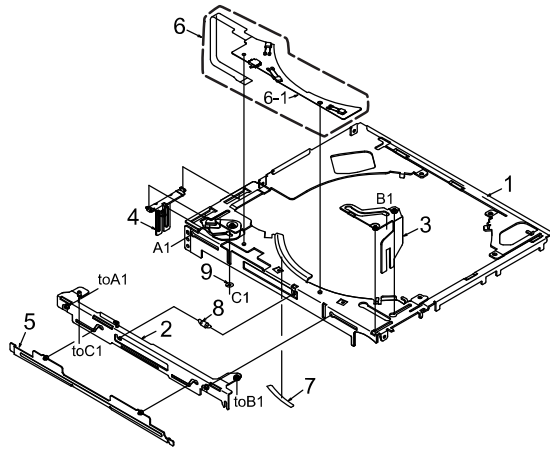
Drive-CH unit section



* Do not reuse the following parts.
(No.15,16,17,18,22)

NO.	PART NO.	DESCRIPTION	Q'TY	NO.	PART NO.	DESCRIPTION	Q'TY
1	HBS-620-100	DRIVE UNIT	1	12	750-6852-20	DRIVE SPRING A	1
2	HBS-612-100	LOADING-U-ASSY	1	13	620-1831-21	S-PWB PLATE	1
3	HBS-615-100	LO-MOTOR-S-ASSY	1	14	750-6754-20	LO-ES-SPRING B	1
4	HBS-614-100	L-SEN-FPC-ASSY	1	15	345-5424-01	SEN-FPC GUIDE	1
4-1	-----	SENSOR-L-FPC	1	16	716-3601-00	SCREW(M1.7x2 sealock)	2
5	966-1828-22	DRIVE-CH A-ASSY	1	17	743-1500-1B	E-RING	2
6	620-1838-21	D-SHIFT LINK A	1	18	746-0870-00	WASHER	1
7	620-1837-20	DRIVE CHASSIS B	1	19	621-1807-00	RUBBER PART	1
8	620-1836-20	DR-SUPPORT-PL	1	20	622-1850-20	D-SHIFT ROLLERE	1
9	622-1743-21	D-SHIFT ROLLERB	1	21	347-8392-00	FPC WASHER	1
10	716-3450-00	SCREW(M1.7x2)	2	22	716-3451-02	SCREW(M1.7x2.5 sealock)	1
11	716-3603-00	SCREW(M1.7x5)	1				

Upper unit assy section



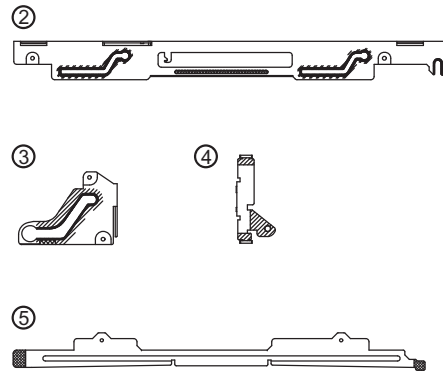
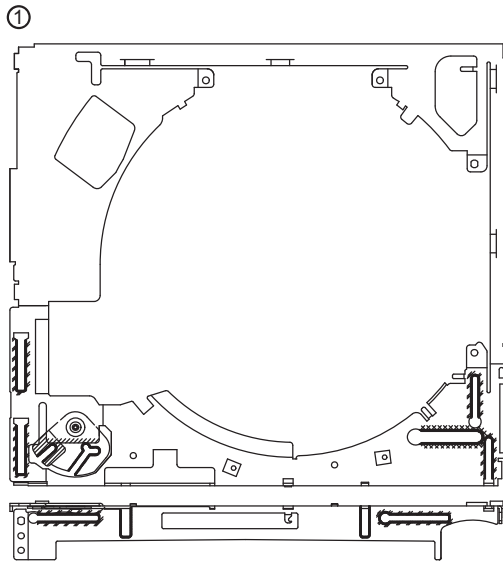
* Do not reuse the following parts.
(No.6,7,9)

NO.	PART NO.	DESCRIPTION	QTY
1	966-1823-21	UPPER-CHA-ASSY	1
2	966-1824-20	LO-SHIFT A ASSY	1
3	966-1791-20	LO-SHIFT B ASSY	1
4	966-1825-20	LO-SHIFT C ASSY	1
5	966-1826-20	SHUTTER ASSY	1
6	HBS-613-100	U-SEN-FPC-ASSY	1
6-1	-----	SENSOR-U-FPC	1
7	347-8216-00	RATTLE SHEET	1
8	750-6850-20	SHUTTER SPRING	1
9	746-0870-00	WASHER	1

[Grease Point]

* Grease : SANKOL FG-87HSR

	Put grease on the surface	
	Put grease on the reverse side	
	Put grease on the both sides	
	Put grease on the edge	



ELECTRICAL PARTS LIST

CD PWB(BM1) section

REF No.	PART No.	DESCRIPTION	REF No.	PART No.	DESCRIPTION	REF No.	PART No.	DESCRIPTION
C1	168-1052-78	16V 1uF	C13	168-1052-78	16V 1uF	C22	168-1052-78	16V 1uF
C3	168-1042-78	16V 0.1uF	C14	168-1042-78	16V 0.1uF	C25	168-4732-78	0.047uF K
C4	043-0559-90	6.3V 22uF	C15	168-1052-78	16V 1uF	C26	166-4711-50	470pF CH
C5	168-1032-55	0.01uF K	C16	043-0559-90	6.3V 22uF	C27	168-1052-78	16V 1uF
C6	042-1702-90	6.3V 100uF	C17	168-1032-55	0.01uF K	C28	168-4732-78	0.047uF K
C7	168-1052-78	16V 1uF	C18	168-1052-78	16V 1uF	C29	166-4711-50	470pF CH
C9	168-1052-78	16V 1uF	C19	043-0559-90	6.3V 22uF	C30	166-1007-50	10pF CH
C11	168-1052-78	16V 1uF	C20	168-1042-78	16V 0.1uF	C31	166-1007-50	10pF CH
C12	042-0671-01	10V 47uF TA	C21	168-1032-55	0.01uF K	C32	168-1042-78	16V 0.1uF

Note) Several different parts of the same reference number are alternative parts.
One of those parts is used in the set.

REF No.	PART No.	DESCRIPTION	REF No.	PART No.	DESCRIPTION	REF No.	PART No.	DESCRIPTION
C33	168-2222-55	2200pF K	IC3	051-6733-00	TC94A73MFG-201	R30	119-4701-15	1/10W 47 ohm
C34	168-1042-78	16V 0.1uF	IC4	051-6060-08	BD7961FM-E2	R31	119-2201-15	1/10W 22 ohm
C35	168-1042-78	16V 0.1uF	IC5	051-5452-90	BD5235G	R32	119-1051-15	1/10W 1M ohm
C36	168-1042-78	16V 0.1uF	IC8	051-9402-78	BR93L56RFVM-W	R33	119-2211-15	1/10W 220 ohm
C37	168-6822-55	6800pF K	IC9	051-6072-08	BD7931FE2	R34	119-4731-15	1/10W 47k ohm
C39	168-1042-78	16V 0.1uF	IC10	051-5833-00	GP1S093HCZ	R35	119-1051-15	1/10W 1M ohm
C40	168-3332-78	0.033uF K	IC11	051-3392-90	S-1323B15NB-N8ATFG	R36	119-4721-15	1/10W 4.7k ohm
C41	168-1042-78	16V 0.1uF				R37	119-4731-15	1/10W 47k ohm
C42	168-1042-78	16V 0.1uF	J1	074-1237-69	SOCKET 19P	R38	119-2231-15	1/10W 22k ohm
C43	168-1042-78	16V 0.1uF	J2	074-1201-65	SOCKET 15P	R39	119-1041-15	1/10W 100k ohm
C45	168-1042-78	16V 0.1uF	J3	074-1138-56	SOCKET 6P	R40	119-4721-15	1/10W 4.7k ohm
C46	168-1042-78	16V 0.1uF	J4	074-1100-61	SOCKET 11P	R41	119-4731-15	1/10W 47k ohm
C48	168-1042-78	16V 0.1uF	J5	074-1201-61	SOCKET 11P	R42	032-0140-16	1/10W 180k ohm F
C49	168-1042-78	16V 0.1uF	Q1	060-0252-01	PT4850F	R43	119-4731-15	1/10W 47k ohm
C50	168-1042-78	16V 0.1uF	Q2	125-0021-91	DTA114EUA	R44	119-2201-15	1/10W 22 ohm
C51	168-1042-78	16V 0.1uF	Q3	198-3018-00	2SK3018	R45	119-1511-15	1/10W 150 ohm
C52	168-5622-55	5600pF K	Q4	190-2060-00	2SA2060	R46	119-4721-15	1/10W 4.7k ohm
C53	168-1042-78	16V 0.1uF	Q8	190-2060-00	2SA2060	R47	032-0140-96	1/10W 120k ohm F
C54	166-6801-50	68pF CH	Q9	125-9026-90	IMF29	R48	119-1041-15	1/10W 100k ohm
C55	168-1532-55	0.015uF K	Q10	125-2027-91	DTC114EUA	R50	119-2211-15	1/10W 220 ohm
C56	168-1042-78	16V 0.1uF	Q11	125-0021-91	DTA114EUA	R51	119-0000-05	1/10W 0 ohm JW
C57	168-1032-55	0.01uF K	Q12	125-2027-91	DTC114EUA	R52	119-1041-15	1/10W 100k ohm
C58	168-1042-78	16V 0.1uF	Q13	125-9026-90	IMF29	R53	119-5621-15	1/10W 5.6k ohm
C59	168-1042-78	16V 0.1uF	R1	119-6811-15	1/10W 680 ohm	R55	119-3341-15	1/10W 330k ohm
C60	168-1522-55	1500pF K	R2	119-6811-15	1/10W 680 ohm	R56	119-4731-15	1/10W 47k ohm
C61	168-3322-55	3300pF K	R3	032-0163-91	1/2W 10 ohm	R57	119-2231-15	1/10W 22k ohm
C62	168-1032-55	0.01uF K	R4	032-0163-91	1/2W 10 ohm	R58	119-2211-15	1/10W 220 ohm
C64	168-1042-78	16V 0.1uF	R5	119-2231-15	1/10W 22k ohm	R59	119-1511-15	1/10W 150 ohm
C65	168-1032-55	0.01uF K	R6	116-1001-15	1/4W 10 ohm	R60	119-4731-15	1/10W 47k ohm
C67	168-1032-55	0.01uF K	R7	119-1021-15	1/10W 1k ohm	R61	119-1041-15	1/10W 100k ohm
C69	168-1532-55	0.015uF K	R8	116-1591-15	1/4W 1.5 ohm	R62	119-1041-15	1/10W 100k ohm
C70	166-4701-50	47pF CH	R9	119-2231-15	1/10W 22k ohm	R63	119-1041-15	1/10W 100k ohm
C71	168-1042-78	16V 0.1uF	R10	119-4711-15	1/10W 470 ohm	R64	119-1011-15	1/10W 100 ohm
C72	168-1042-78	16V 0.1uF	R11	119-2211-15	1/10W 220 ohm	R65	119-1041-15	1/10W 100k ohm
C74	166-6097-50	6pF CH	R12	119-6811-15	1/10W 680 ohm	R66	117-5611-15	1/8W 560 ohm
C75	168-1042-78	16V 0.1uF	R13	119-1011-15	1/10W 100 ohm	R67	116-3311-15	1/4W 330 ohm
C76	168-5622-55	5600pF K	R14	119-2231-15	1/10W 22k ohm	R68	116-3311-15	1/4W 330 ohm
C77	168-1032-55	0.01uF K	R15	119-8231-15	1/10W 82k ohm	R81	116-1591-15	1/4W 1.5 ohm
C101	043-0563-90	16V 47uF	R16	119-1041-15	1/10W 100k ohm	R101	119-0000-05	1/10W 0 ohm JW
CCT1	050-0145-59	1/16W 22 ohm x4	R17	119-1041-15	1/10W 100k ohm	R102	119-0000-05	1/10W 0 ohm JW
CCT2	050-0145-54	1/16W 47k ohm x4	R18	119-1041-15	1/10W 100k ohm	R103	119-0000-05	1/10W 0 ohm JW
CCT3	050-0145-54	1/16W 47k ohm x4	R19	119-1041-15	1/10W 100k ohm	R201	119-0000-05	1/10W 0 ohm JW
CCT4	050-0145-55	1/16W 10k ohm x4	R20	119-1041-15	1/10W 100k ohm	R212	119-1041-15	1/10W 100k ohm
CCT5	050-0140-55	1/32W 2.2k ohmx4J	R21	119-2221-15	1/10W 2.2k ohm	S1	013-7416-50	SW SPVL110200
D1	001-4301-14	HZU 3.0B1	R22	119-4711-15	1/10W 470 ohm	S2	013-7416-50	SW SPVL110200
D1	001-0529-14	MA8030-L	R23	119-1051-15	1/10W 1M ohm	S3	013-7412-50	SPVG21
D2	001-0367-91	1SS226	R24	119-2211-15	1/10W 220 ohm	S4	013-7415-50	SPVG110400
D3	001-4301-13	HZU 2.7B2	R25	119-2211-15	1/10W 220 ohm	X1	061-3534-90	16.92MHz
D3	001-0529-13	MA8029-H	R26	119-1041-15	1/10W 100k ohm	X3	060-1545-90	20MHz
D4	001-4301-18	HZU 3.6B1	R27	119-1051-15	1/10W 1M ohm	PWB	039-3058-20	PWB(WITHOUT COMPONENT)
D4	001-0529-18	MA8036-L	R28	119-1041-15	1/10W 100k ohm			
IC2	052-5077-01	TMP91CY22IFG	R29	119-1041-15	1/10W 100k ohm			

Sensor-L-PFC(BM2) section

REF No.	PART No.	DESCRIPTION
PT1	060-0252-01	PT14850F
PT2	060-0252-01	PT14850F
PT3	051-5833-00	GP1S093HCZ

REF No.	PART No.	DESCRIPTION
PWB	039-3003-20	PWB(WITHOUT COMPONENTS)

Sensor-U-PFC(BM3) section

REF No.	PART No.	DESCRIPTION
LED1	001-7077-00	GL4804
LED2	001-7042-00	GL4800
LED3	001-7042-00	GL4800

REF No.	PART No.	DESCRIPTION
S5	013-7417-50	ABC1122P161
PWB	039-3004-20	PWB(WITHOUT COMPONENTS)