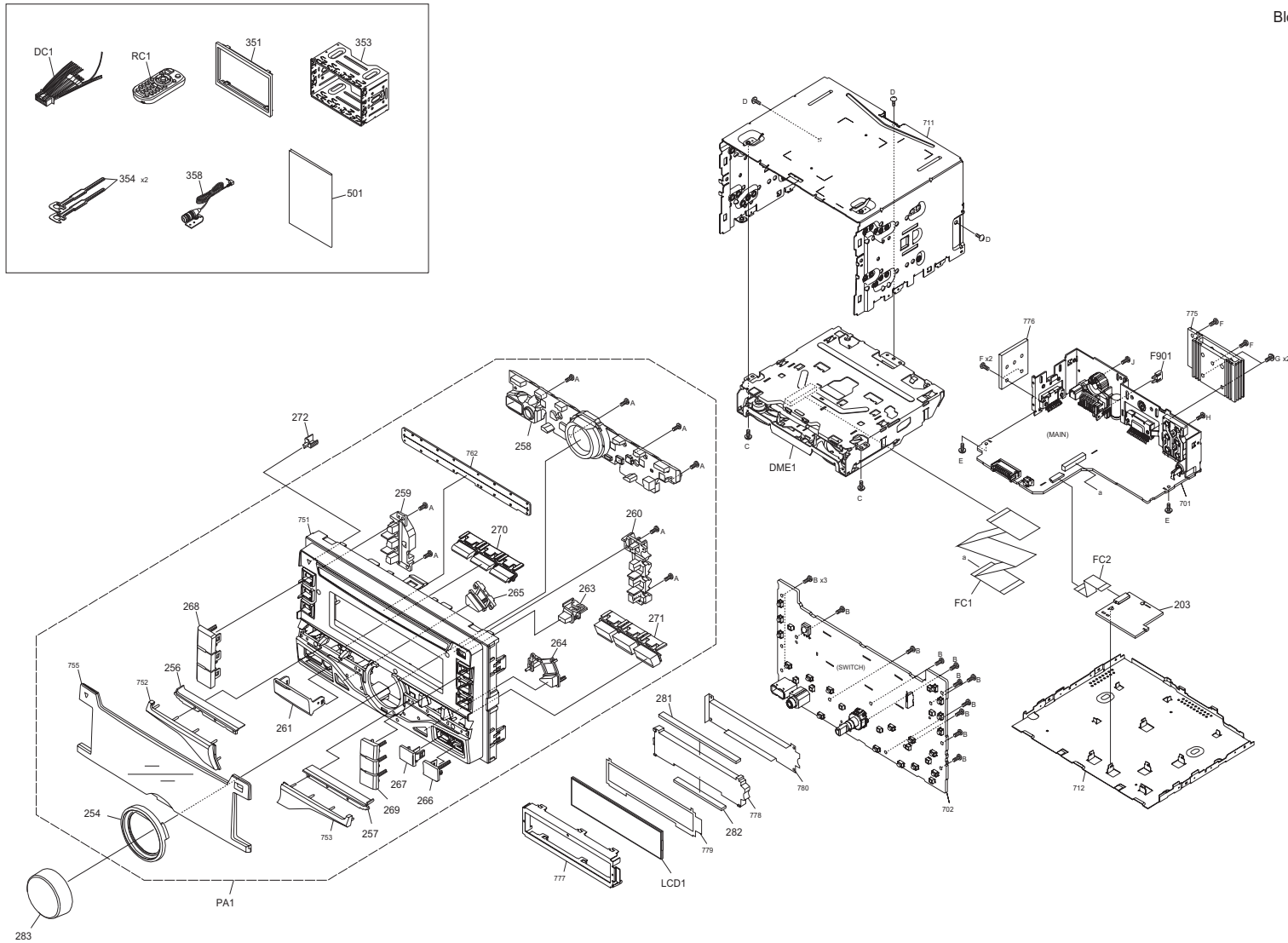


EXPLODED VIEW (UNIT)

Block No.M1MM



Parts with the exploded numbers larger than 700 are not supplied.

created date:2015-01-09

| | |
|----------|------|
| MODEL | MARK |
| DPX520BT | |

| Safe | Symbol No. | Parts No. | Parts Name | Description | QTY | Local |
|--|------------|----------------|----------------------------|-------------|-----|-------|
| EXPLODED VIEW (UNIT) <M1MM> | | | | | | |
| △ | DC1 | QAM1623-002 | DC CORD | | 1 | |
| | DME1 | FC2-2A00NXN | CD MECHANISM(Made at JEIN) | | 1 | |
| | DME1 | or X92-6820-01 | CD MECHANISM(MADE AT JKEM) | | 1 | |
| △ | F901 | FZB10BT-100 | BLADE FUSE | | 1 | |
| | FC1 | E3F-0051-00 | FLAT CABLE | | 1 | |
| | FC2 | E3F-0053-00 | FLAT CABLE | | 1 | |
| | LCD1 | B3H-0007-00 | LCD | | 1 | |
| | PA1 | A6D-0027-0A | PANEL ASSY | | 1 | |
| | RC1 | QAL1303-004 | REMOTE CONTROL UNIT | | 1 | |
| | A | N80-2005-48 | P.HEAD T.SCREW | | 8 | |
| | B | QYSDSF2006ZA | TAP SCREW | M2 x 6mm | 13 | |
| | C | QYSDST2604ZA | TAP SCREW | M2.6 x 4mm | 2 | |
| | D | QYSDST2606ZA | TAP SCREW | M2.6 x 6mm | 3 | |
| | E | GE40377-002A | SPECIAL SCREW | | 2 | |
| | F | QYSDST2610ZA | TAP SCREW | M2.6 x 10mm | 4 | |
| | G | GE40377-005A | SPECIAL SCREW | | 2 | |
| | H | QYSDSF2608ZA | TAP SCREW | M2.6 x 8mm | 1 | |
| | J | QYSDSG3006ZA | TAP SCREW | M3 x 6mm | 1 | |
| | 203 | W0C-0055-20 | CIRCUIT MODULE | | 1 | |
| | 254 | B07-3377-03 | ESCUTCHEON | | 1 | |
| | 256 | B19-2624-03 | LIGHTING BOARD | | 1 | |
| | 257 | B19-2625-03 | LIGHTING BOARD | | 1 | |
| | 258 | B19-2626-01 | LIGHTING BOARD | | 1 | |
| | 259 | B19-2627-03 | LIGHTING BOARD | | 1 | |
| | 260 | B19-2628-13 | LIGHTING BOARD | | 1 | |
| | 261 | F07-2266-12 | COVER | | 1 | |
| | 263 | K24-5209-03 | PUSH KNOB | | 1 | |
| | 264 | K24-5210-13 | PUSH KNOB | | 1 | |
| | 265 | K24-5212-13 | PUSH KNOB | | 1 | |
| | 266 | K24-5214-12 | PUSH KNOB | | 1 | |
| | 267 | K24-5216-02 | PUSH KNOB | | 1 | |
| | 268 | K25-3145-03 | PUSH KNOB | | 1 | |
| | 269 | K25-3146-03 | PUSH KNOB | | 1 | |
| | 270 | K2F-0018-00 | PUSH KNOB | | 1 | |
| | 271 | K25-3149-02 | PUSH KNOB | | 1 | |
| | 272 | B19-2641-04 | LIGHTING BOARD | | 1 | |
| | 281 | E2K-0015-00 | CONDUCT RUBBER | | 1 | |
| | 282 | E2K-0016-00 | CONDUCT RUBBER | | 1 | |
| | 283 | K28-0530-13 | KNOB ASSY | | 1 | |
| | 351 | GE20366-001A | TRIM PLATE | | 1 | |
| | 353 | LV22876-001A | SLEEVE ASSY | | 1 | |
| | 354 | LV45516-001A | LEVER | | 2 | |
| | 358 | QAN0126-001 | MICROPHONE | | 1 | |
| | 501 | B5A-0230-00 | INST.MANUAL | ENG FRE SPA | 1 | |

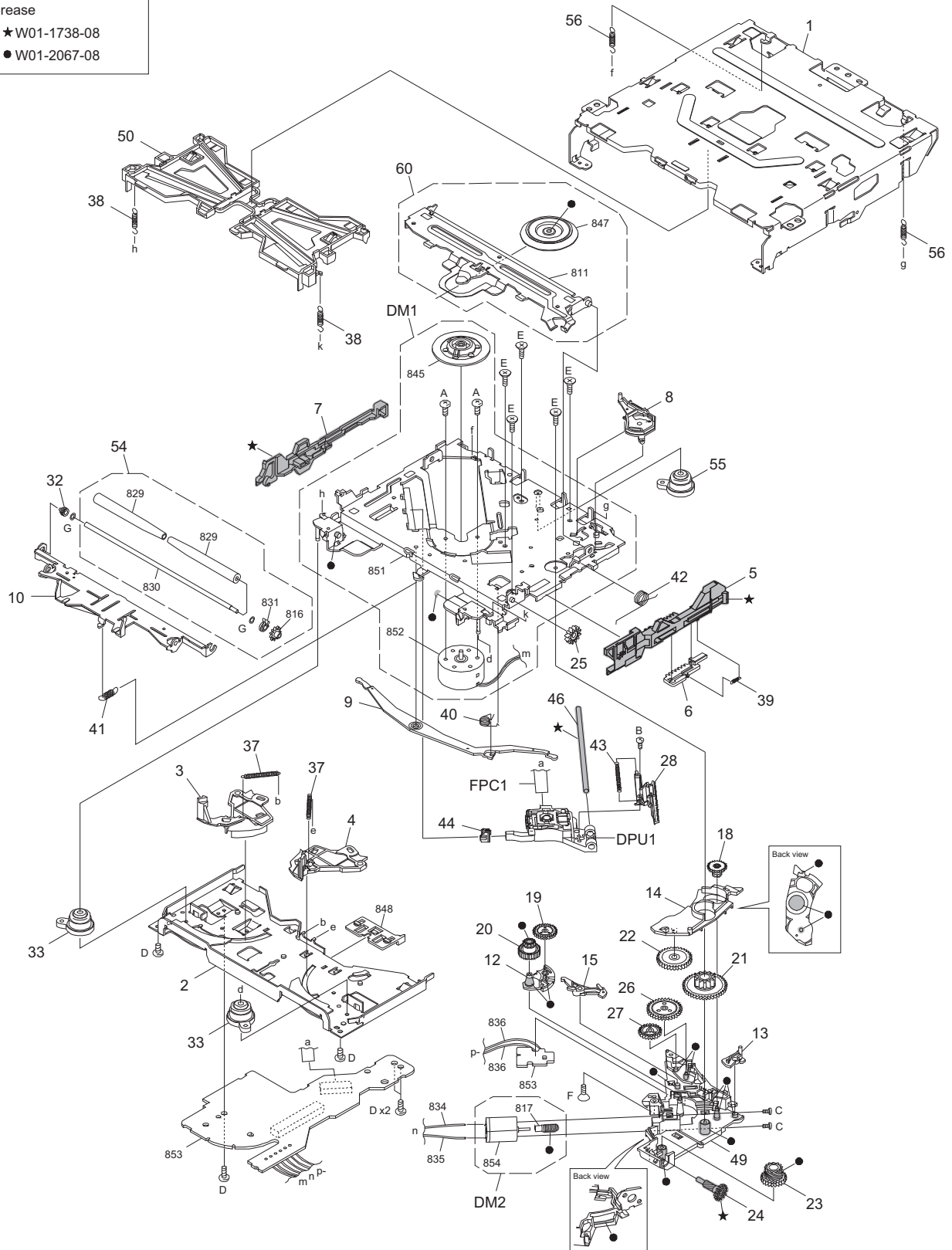
EXPLODED VIEW (CD MECHANISM: FC2-2A00NXN)

Block No.MBMM

The differences between X92-6820-01 and FC2-2A00NXN,
please refer to SECTION 2 "How to identify the CD mechanism ASSY".

Grease

- ★ W01-1738-08
- W01-2067-08



Parts with the exploded numbers larger than 800 are not supplied.

| | |
|----------|------|
| MODEL | MARK |
| DPX520BT | |

| Safe | Symbol No. | Parts No. | Parts Name | Description | QTY | Local |
|---|------------|---------------|--------------------|--------------|-----|-------|
| EXPLODED VIEW (CD MECHANISM: FC2-2A00NXN) <MBMM> | | | | | | |
| | DM1 | CM-FC2-MD | MD CHASSIS ASSY | | 1 | |
| | DM2 | CM-FC2-M | LOADING MOTOR ASSY | | 1 | |
| △ | DPU1 | QAL1521-001 | PICK UP | | 1 | |
| | FPC1 | QAL1465-001 | FPC | | 1 | |
| A | | LV45568-001A | MINI SCREW | | 2 | |
| B | | QYSPSGT1745ZA | TAP SCREW | M1.7 x 4.5mm | 1 | |
| C | | QYSPSPT2025MA | SCREW | M2 x 2.5mm | 2 | |
| D | | VKZ4539-054 | MINI SCREW | | 5 | |
| E | | LV45818-001A | G.HOLDER SCREW | | 5 | |
| F | | LV45815-001A | M. SHAFT SCREW | | 1 | |
| G | | LV45816-001A | ROLLER WASHER | | 2 | |
| 1 | | LV11877-003A | OUTER CHASSIS | | 1 | |
| 2 | | LV11878-002A | LOWER CHASSIS | | 1 | |
| 3 | | LV3A174-001A | DISC ARM L | | 1 | |
| 4 | | LV3A175-001A | DISC ARM R | | 1 | |
| 5 | | LV23057-001A | SLIDER R | | 1 | |
| 6 | | LV3A178-001A | TRIGGER SLIDER | | 1 | |
| 7 | | LV23058-001A | SLIDER L | | 1 | |
| 8 | | LV3A179-002A | TRIGGER ARM | | 1 | |
| 9 | | LV3A173-001A | JOINT LEVER | | 1 | |
| 10 | | LV23055-002A | ROLLER LEVER | | 1 | |
| 12 | | LV3A181-001A | TRANSFER ARM | | 1 | |
| 13 | | LV45797-002A | SL LOCK CAM | | 1 | |
| 14 | | LV3A182-003A | SL LOCK ARM | | 1 | |
| 15 | | LV3A183-001A | PICK LOCK ARM | | 1 | |
| 18 | | LV3A187-002A | HELICAL GEAR 1 | | 1 | |
| 19 | | LV3A188-001A | TRANSFER GEAR | | 1 | |
| 20 | | LV3A189-001A | LOAD GEAR H | | 1 | |
| 21 | | LV3A190-001A | DRIVE GEAR | | 1 | |
| 22 | | LV3A191-001A | JOINT GEAR | | 1 | |
| 23 | | LV3A192-001A | WORM GEAR 2 | | 1 | |
| 24 | | LV3A193-001A | HELICAL GEAR 2 | | 1 | |
| 25 | | LV3A194-001A | LOAD GEAR V | | 1 | |
| 26 | | LV3A195-001A | PICK GEAR 1 | | 1 | |
| 27 | | LV3A196-001A | PICK GEAR 2 | | 1 | |
| 28 | | LV3A197-001A | RACK GEAR | | 1 | |
| 32 | | LV45796-001A | R.RETAINER L | | 1 | |
| 33 | | D39-0403-05 | DAMPER | | 2 | |
| 37 | | LV45808-001A | DISC ARM SPRING | | 2 | |
| 38 | | LV45809-001A | FLOAT SPRING(F) | | 2 | |
| 39 | | LV45810-001A | TRIGGER SPRING | | 1 | |
| 40 | | LV45811-001A | LOAD SPRING | | 1 | |
| 41 | | LV45812-001A | ROLLER SPRING | | 1 | |
| 42 | | LV45813-001A | CLAMP SPRING | | 1 | |
| 43 | | LV45814-001A | PICK SPRING | | 1 | |
| 44 | | LV36813-201A | SUB GUIDE CAP | | 1 | |
| 46 | | LV44555-001A | MAIN SHAFT | | 1 | |
| 49 | | LV11881-002A | GEAR HOLDER | | 1 | |
| 50 | | LV11880-003A | DISC GUIDE | | 1 | |
| 54 | | CM-FC2-R | ROLLER ASSY | | 1 | |
| 55 | | D39-0404-05 | DAMPER | | 1 | |
| 56 | | LV45835-001A | FLOAT SPRING(R) | | 2 | |
| 60 | | LV3A271-001A | CL BASE ASSY | | 1 | |

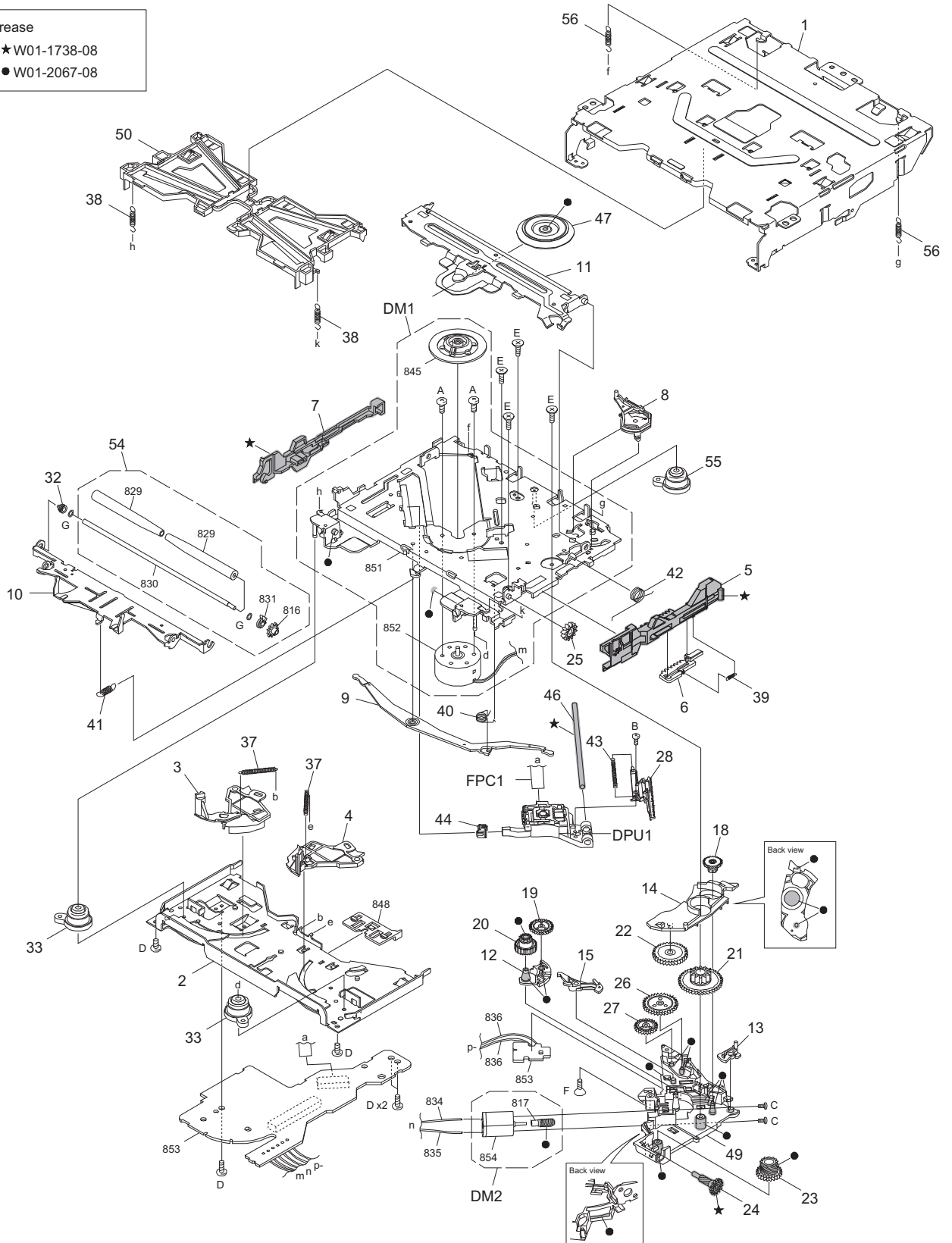
EXPLODED VIEW (CD MECHANISM: X92-6820-01)

Block No.MCMM

The differences between X92-6820-01 and FC2-2A00NXN,
please refer to SECTION 2 "How to identify the CD mechanism ASSY".

Grease

- ★ W01-1738-08
- W01-2067-08



Parts with the exploded numbers larger than 800 are not supplied.

| | |
|----------|------|
| MODEL | MARK |
| DPX520BT | |

| Safe | Symbol No. | Parts No. | Parts Name | Description | QTY | Local |
|------|------------|-----------|------------|-------------|-----|-------|
|------|------------|-----------|------------|-------------|-----|-------|

EXPLODED VIEW (CD MECHANISM: X92-6820-01) <MCMM>

| | | | | | | |
|----|------|---------------|--------------------|--------------|---|--|
| | DM1 | CM-FC2-MD | MD CHASSIS ASSY | | 1 | |
| | DM2 | CM-FC2-M | LOADING MOTOR ASSY | | 1 | |
| △ | DPU1 | QAL1521-001 | PICK UP | | 1 | |
| | FPC1 | QAL1465-001 | FPC | | 1 | |
| A | | LV45568-001A | MINI SCREW | | 2 | |
| B | | QYSPSGT1745ZA | TAP SCREW | M1.7 x 4.5mm | 1 | |
| C | | QYSPSPT2025MA | SCREW | M2 x 2.5mm | 2 | |
| D | | N09-6108-15 | TAPTITE SCREW | | 5 | |
| E | | N09-6738-15 | TAPTITE SCREW | | 4 | |
| F | | N09-6921-05 | TAPTITE SCREW | | 1 | |
| G | | N19-2356-04 | FLAT WASHER | | 2 | |
| 1 | | A10-5625-21 | OUTER CHASSIS | | 1 | |
| 2 | | A10-5626-01 | LOWER CHASSIS | | 1 | |
| 3 | | D10-7174-03 | DISC ARM L | | 1 | |
| 4 | | D10-7175-03 | DISC ARM R | | 1 | |
| 5 | | D10-7177-02 | SLIDER R | | 1 | |
| 6 | | D10-7178-03 | TRIGGER SLIDER | | 1 | |
| 7 | | D10-7179-02 | SLIDER L | | 1 | |
| 8 | | D10-7180-03 | TRIGGER ARM | | 1 | |
| 9 | | D10-7181-13 | JOINT LEVER | | 1 | |
| 10 | | D10-7182-12 | ROLLER LEVER | | 1 | |
| 11 | | D10-7183-02 | CLAMP ARM | | 1 | |
| 12 | | D10-7184-03 | TRANSFER ARM | | 1 | |
| 13 | | D10-7185-04 | SL LOCK CAM | | 1 | |
| 14 | | D10-7186-03 | SL LOCK ARM | | 1 | |
| 15 | | D10-7187-13 | PICK LOCK ARM | | 1 | |
| 18 | | D13-3104-04 | HELICAL GEAR 1 | | 1 | |
| 19 | | D13-3105-04 | TRANSFER GEAR | | 1 | |
| 20 | | D13-3106-04 | LOAD GEAR H | | 1 | |
| 21 | | D13-3107-04 | DRIVE GEAR | | 1 | |
| 22 | | D13-3108-04 | JOINT GEAR | | 1 | |
| 23 | | D13-3109-04 | WORM GEAR 2 | | 1 | |
| 24 | | D13-3110-04 | HELICAL GEAR 2 | | 1 | |
| 25 | | D13-3111-04 | LOAD GEAR V | | 1 | |
| 26 | | D13-3112-04 | PICK GEAR 1 | | 1 | |
| 27 | | D13-3113-04 | PICK GEAR 2 | | 1 | |
| 28 | | D13-3114-03 | RACK GEAR | | 1 | |
| 32 | | D23-0974-14 | R.RETAINER L | | 1 | |
| 33 | | D39-0403-05 | DAMPER F | | 2 | |
| 37 | | G01-4810-04 | DISC ARM SPRING | | 2 | |
| 38 | | G01-4829-04 | FLOAT SPRING(F) | | 2 | |
| 39 | | G01-4813-04 | TRIGGER SPRING | | 1 | |
| 40 | | G01-4814-04 | LOAD SPRING | | 1 | |
| 41 | | G01-4815-04 | ROLLER SPRING | | 1 | |
| 42 | | G01-4816-04 | CLAMP SPRING | | 1 | |
| 43 | | G01-4817-04 | PICK SPRING | | 1 | |
| 44 | | LV36813-501A | SUB GUIDE CAP | | 1 | |
| 46 | | LV44555-001A | MAIN SHAFT | | 1 | |
| 47 | | J11-0692-03 | CLAMPER | | 1 | |
| 49 | | J19-7360-21 | GEAR HOLDER | | 1 | |
| 50 | | J90-1209-21 | DISC GUIDE | | 1 | |
| 54 | | CM-FC2-R | ROLLER ASSY | | 1 | |
| 55 | | D39-0404-05 | DAMPER R | | 1 | |
| 56 | | G01-4812-04 | FLOAT SPRING(R) | | 2 | |

| MODEL | MARK |
|----------|------|
| DPX520BT | |

| Safe | Symbol No. | Parts No. | Parts Name | Description | QTY | Local |
|---|------------|-----------------|-----------------|--------------|-----|-------|
| MAIN PWB ASSY (XJ1-0720-11) <01> | | | | | | |
| | IC161 | TDA7720B-X | IC | | 1 | |
| △ | IC301 | JCV8034 | IC | | 1 | |
| | IC411 | MFI337S3959-X | IC | | 1 | |
| △ | IC540 | MN6627553APA | IC | | 1 | |
| △ | IC601 | TEF6657HN-X | IC | | 1 | |
| △ | IC701 | R5S726A0D216FP | IC | | 1 | |
| △ | IC821 | W3F-0005-00 | IC | | 1 | |
| | IC831 | BU4228F-W | IC | | 1 | |
| | IC841 | BR24T02FJ-W-X | IC | | 1 | |
| | IC851 | BU1CTD3WG-W | IC | | 1 | |
| | IC860 | MP9942GJ | ANALOG IC | | 1 | |
| | IC890 | NCP380HSNAJAA-X | IC | | 1 | |
| △ | IC901 | LV5685PV-H | ANALOG IC | | 1 | |
| | IC941 | BU33TD3WG-W | IC | | 1 | |
| | Q220 | LSCR523UBFS8 | TRANSISTOR | | 1 | |
| | Q250 | LTC043TEB-X | DIGI TRANSISTOR | | 1 | |
| | Q270 | LTA024EEB-X | DIGI TRANSISTOR | | 1 | |
| | Q271 | LSAR523UBFS8 | TRANSISTOR | | 1 | |
| | Q272 | LTC024EEB-X | DIGI TRANSISTOR | | 1 | |
| | Q273 | LTA024EEB-X | DIGI TRANSISTOR | | 1 | |
| | Q320 | LTC043TEB-X | DIGI TRANSISTOR | | 1 | |
| | Q330 | LTC043TEB-X | DIGI TRANSISTOR | | 1 | |
| | Q340 | LTC043TEB-X | DIGI TRANSISTOR | | 1 | |
| | Q350 | LTC043TEB-X | DIGI TRANSISTOR | | 1 | |
| | Q540 | 2SA2188/E/-X | TRANSISTOR | | 1 | |
| | Q701 | LTA014YEB-X | DIGI TRANSISTOR | | 1 | |
| | D100 | RSB6.8SM-X | BP Z DIODE | | 1 | |
| | D101 | RSB6.8SM-X | BP Z DIODE | | 1 | |
| | D231 | DZ2J062M | ZENER DIODE | | 1 | |
| | D270 | BAW56-TP-X | SI DIODE | | 1 | |
| | D271 | BAW56-TP-X | SI DIODE | | 1 | |
| | D273 | DA2J101 | DIODE | | 1 | |
| | D370 | BAW56-TP-X | SI DIODE | | 1 | |
| | D390 | MBRX130 | SCHOTTKY DIODE | | 1 | |
| | D391 | MBRX130 | SCHOTTKY DIODE | | 1 | |
| | D603 | FOK-0014-00 | SURGE ABSORBER | | 1 | |
| | D861 | DB22306 | SCHOTTKY DIODE | | 1 | |
| | D902 | SK34A-L-X | SB DIODE | | 1 | |
| | D903 | SK34A-L-X | SB DIODE | | 1 | |
| △ | D990 | 1N5401-BPC04 | SI DIODE | | 1 | |
| | D1002 | DZ2J062M | ZENER DIODE | | 1 | |
| | D1003 | DZ2J062M | ZENER DIODE | | 1 | |
| | D1220 | DZ2J062M | ZENER DIODE | | 1 | |
| | C100 | CK73GXR1H104K | C CAPACITOR | 0.1uF 50V K | 1 | |
| | C101 | CK73GGB1H472K | C CAPACITOR | 4700pF 50V K | 1 | |
| | C102 | CK73GGB1H472K | C CAPACITOR | 4700pF 50V K | 1 | |
| | C103 | CK73GXR1C105K | C CAPACITOR | 1uF 16V K | 1 | |
| | C104 | CK73GXR1C105K | C CAPACITOR | 1uF 16V K | 1 | |
| | C105 | CK73GXR1C105K | C CAPACITOR | 1uF 16V K | 1 | |
| | C161 | CK73GXR1A105K | C CAPACITOR | 1uF 10V K | 1 | |
| | C162 | CK73GXR1A105K | C CAPACITOR | 1uF 10V K | 1 | |
| | C163 | CD04AV1V4R7M | E CAPACITOR | 4.7uF 35V M | 1 | |
| | C164 | CD04AV1V4R7M | E CAPACITOR | 4.7uF 35V M | 1 | |
| | C169 | CK73GXR1A105K | C CAPACITOR | 1uF 10V K | 1 | |
| | C170 | CK73GXR1A105K | C CAPACITOR | 1uF 10V K | 1 | |
| | C171 | CK73GXR1A105K | C CAPACITOR | 1uF 10V K | 1 | |
| | C172 | CD04AS1C220M | E CAPACITOR | 22uF 16V M | 1 | |
| | C173 | CD04AV1C100M | E CAPACITOR | 10uF 16V M | 1 | |
| | C177 | CK73GXR1A105K | C CAPACITOR | 1uF 10V K | 1 | |
| | C222 | CK73FXR1C106K | C CAPACITOR | 10uF 16V K | 1 | |
| | C223 | CK73GXR1H104K | C CAPACITOR | 0.1uF 50V K | 1 | |
| | C224 | CK73GXR1H104K | C CAPACITOR | 0.1uF 50V K | 1 | |
| | C229 | CK73GXR1A105K | C CAPACITOR | 1uF 10V K | 1 | |
| | C251 | CD04AV1C100M | E CAPACITOR | 10uF 16V M | 1 | |
| | C304 | CD04AV1C470M | E CAPACITOR | 47uF 16V M | 1 | |
| | C311 | CK73GXR1A105K | C CAPACITOR | 1uF 10V K | 1 | |
| | C312 | CK730AV1C105K | C CAPACITOR | 1uF 16V K | 1 | |
| | C313 | CK73FXR1A475K | C CAPACITOR | 4.7uF 10V K | 1 | |
| | C316 | CK730AV1C224K | C CAPACITOR | 0.22uF 16V K | 1 | |
| | C317 | CK730AV1C224K | C CAPACITOR | 0.22uF 16V K | 1 | |
| | C318 | CK730AV1C224K | C CAPACITOR | 0.22uF 16V K | 1 | |
| | C319 | CK730AV1C224K | C CAPACITOR | 0.22uF 16V K | 1 | |
| | C321 | CD04AV1C100M | E CAPACITOR | 10uF 16V M | 1 | |
| | C331 | CD04AV1C100M | E CAPACITOR | 10uF 16V M | 1 | |
| | C341 | CD04AV1C100M | E CAPACITOR | 10uF 16V M | 1 | |
| | C351 | CD04AV1C100M | E CAPACITOR | 10uF 16V M | 1 | |
| | C370 | CK73GXR1H104K | C CAPACITOR | 0.1uF 50V K | 1 | |
| | C390 | CK73FBB1H224K | C CAPACITOR | 0.22uF 50V K | 1 | |
| | C410 | CK73GXR1H104K | C CAPACITOR | 0.1uF 50V K | 1 | |
| | C510 | CK73GGB1H472K | C CAPACITOR | 4700pF 50V K | 1 | |
| | C540 | CK73GXR1H104K | C CAPACITOR | 0.1uF 50V K | 1 | |
| | C541 | CK73GXR1H104K | C CAPACITOR | 0.1uF 50V K | 1 | |
| | C542 | CK73GGB1H472K | C CAPACITOR | 4700pF 50V K | 1 | |
| | C544 | CK73GGB1H103K | C CAPACITOR | 0.01uF 50V K | 1 | |
| | C545 | CK73GGB1H103K | C CAPACITOR | 0.01uF 50V K | 1 | |
| | C546 | CK73GGB1H682K | C CAPACITOR | 6800pF 50V K | 1 | |
| | C547 | CK73GGB1H682K | C CAPACITOR | 6800pF 50V K | 1 | |
| | C548 | CK73FXR1A475K | C CAPACITOR | 4.7uF 10V K | 1 | |
| | C549 | CK73GXR1H104K | C CAPACITOR | 0.1uF 50V K | 1 | |
| | C550 | CK73GGB1C154K | C CAPACITOR | 0.15uF 16V K | 1 | |
| | C552 | CK73GGB1H682K | C CAPACITOR | 6800pF 50V K | 1 | |

| MODEL | MARK |
|----------|------|
| DPX520BT | |

| Safe | Symbol No. | Parts No. | Parts Name | Description | QTY | Local |
|------|------------|---------------|-------------|---------------|-----|-------|
| | C553 | CK73GXR1H104K | C CAPACITOR | 0.1uF 50V K | 1 | |
| | C555 | CK73GBB1H223K | C CAPACITOR | 0.022uF 50V K | 1 | |
| | C556 | CK73GBB1H332K | C CAPACITOR | 3300pF 50V K | 1 | |
| | C557 | CK73GBB1A334K | C CAPACITOR | 0.33uF 10V K | 1 | |
| | C558 | CK73FXR1A475K | C CAPACITOR | 4.7uF 10V K | 1 | |
| | C559 | CK73GXR1H104K | C CAPACITOR | 0.1uF 50V K | 1 | |
| | C560 | CK73GBB1H681K | C CAPACITOR | 680pF 50V K | 1 | |
| | C561 | CK73FXR1C106K | C CAPACITOR | 10uF 16V K | 1 | |
| | C562 | CK73GBB1H153K | C CAPACITOR | 0.015uF 50V K | 1 | |
| | C563 | CK73GXR1H104K | C CAPACITOR | 0.1uF 50V K | 1 | |
| | C564 | CK73GBB1H102K | C CAPACITOR | 1000pF 50V K | 1 | |
| | C565 | CK73GBB1E823K | C CAPACITOR | 0.082uF 25V K | 1 | |
| | C567 | CK73GBB1H102K | C CAPACITOR | 1000pF 50V K | 1 | |
| | C568 | CK73GBB1A334K | C CAPACITOR | 0.33uF 10V K | 1 | |
| | C570 | CK73GXR1H104K | C CAPACITOR | 0.1uF 50V K | 1 | |
| | C571 | CK73GXR1H104K | C CAPACITOR | 0.1uF 50V K | 1 | |
| | C572 | CK73FXR0J106K | C CAPACITOR | 10uF 6.3V K | 1 | |
| | C573 | CK73GXR1H104K | C CAPACITOR | 0.1uF 50V K | 1 | |
| | C576 | CK73GXR1H104K | C CAPACITOR | 0.1uF 50V K | 1 | |
| | C577 | CC73GCH1H100D | C CAPACITOR | 10pF 50V D | 1 | |
| | C578 | CC73GCH1H120J | C CAPACITOR | 12pF 50V J | 1 | |
| | C579 | CK73GXR1H104K | C CAPACITOR | 0.1uF 50V K | 1 | |
| | C583 | CK73GBB1H821K | C CAPACITOR | 820pF 50V K | 1 | |
| | C584 | CK73GBB1H821K | C CAPACITOR | 820pF 50V K | 1 | |
| | C588 | CK73GBB1H681K | C CAPACITOR | 680pF 50V K | 1 | |
| | C589 | CK73GBB1H681K | C CAPACITOR | 680pF 50V K | 1 | |
| | C601 | CK73FXR0J106K | C CAPACITOR | 10uF 6.3V K | 1 | |
| | C602 | CK73FXR0J106K | C CAPACITOR | 10uF 6.3V K | 1 | |
| | C603 | CK73GXR1H104K | C CAPACITOR | 0.1uF 50V K | 1 | |
| | C604 | CK73GBB1H152K | C CAPACITOR | 1500pF 50V K | 1 | |
| | C605 | CK73GBB1H102K | C CAPACITOR | 1000pF 50V K | 1 | |
| | C606 | CC73GCH1H090D | C CAPACITOR | 9pF 50V D | 1 | |
| △ | C607 | CC73GCH1H010C | C CAPACITOR | 1pF 50V C | 1 | |
| | C608 | CK73GBB1H102K | C CAPACITOR | 1000pF 50V K | 1 | |
| | C609 | CK73GXR1H104K | C CAPACITOR | 0.1uF 50V K | 1 | |
| | C610 | CC73GCH1H120J | C CAPACITOR | 12pF 50V J | 1 | |
| △ | C611 | CC73GCH1H010C | C CAPACITOR | 1pF 50V C | 1 | |
| | C612 | CK73GBB1H103K | C CAPACITOR | 0.01uF 50V K | 1 | |
| | C614 | CC73GCH1H220J | C CAPACITOR | 22pF 50V J | 1 | |
| | C615 | CC73GCH1H330J | C CAPACITOR | 33pF 50V J | 1 | |
| | C616 | CK73GBB1H102K | C CAPACITOR | 1000pF 50V K | 1 | |
| | C617 | CK73GBB1C224K | C CAPACITOR | 0.22uF 16V K | 1 | |
| | C619 | CK73GXR1H104K | C CAPACITOR | 0.1uF 50V K | 1 | |
| | C700 | CK73GXR1H104K | C CAPACITOR | 0.1uF 50V K | 1 | |
| | C701 | CK73GXR1H104K | C CAPACITOR | 0.1uF 50V K | 1 | |
| | C702 | CK73GXR1H104K | C CAPACITOR | 0.1uF 50V K | 1 | |
| | C703 | CK73GXR1H104K | C CAPACITOR | 0.1uF 50V K | 1 | |
| | C704 | CK73GXR1H104K | C CAPACITOR | 0.1uF 50V K | 1 | |
| | C705 | CK73GXR1H104K | C CAPACITOR | 0.1uF 50V K | 1 | |
| | C706 | CK73GXR1H104K | C CAPACITOR | 0.1uF 50V K | 1 | |
| | C707 | CC73GCH1H090D | C CAPACITOR | 9pF 50V D | 1 | |
| | C708 | CC73GCH1H090D | C CAPACITOR | 9pF 50V D | 1 | |
| | C709 | CK73GXR1H104K | C CAPACITOR | 0.1uF 50V K | 1 | |
| | C710 | CK73GXR1H104K | C CAPACITOR | 0.1uF 50V K | 1 | |
| | C711 | CK73GBB1H472K | C CAPACITOR | 4700pF 50V K | 1 | |
| | C712 | CK73GXR1H104K | C CAPACITOR | 0.1uF 50V K | 1 | |
| | C713 | CK73GXR1H104K | C CAPACITOR | 0.1uF 50V K | 1 | |
| | C716 | CK73GXR1H104K | C CAPACITOR | 0.1uF 50V K | 1 | |
| | C717 | CK73GXR1H104K | C CAPACITOR | 0.1uF 50V K | 1 | |
| | C718 | CK73GXR1H104K | C CAPACITOR | 0.1uF 50V K | 1 | |
| | C724 | CC73GCH1H101J | C CAPACITOR | 100pF 50V J | 1 | |
| | C820 | CK73GBB1H472K | C CAPACITOR | 4700pF 50V K | 1 | |
| | C821 | CK73GBB1H471K | C CAPACITOR | 470pF 50V K | 1 | |
| | C830 | CK73GBB1H682K | C CAPACITOR | 6800pF 50V K | 1 | |
| | C831 | CK73GXR1H104K | C CAPACITOR | 0.1uF 50V K | 1 | |
| | C832 | CK73GXR1H104K | C CAPACITOR | 0.1uF 50V K | 1 | |
| | C840 | CK73GBB1C473K | C CAPACITOR | 0.047uF 16V K | 1 | |
| | C850 | CK73GBB1C474K | C CAPACITOR | 0.47uF 16V K | 1 | |
| | C851 | CK73GBB1C474K | C CAPACITOR | 0.47uF 16V K | 1 | |
| | C852 | CD04AS0J101M | E CAPACITOR | 100uF 6.3V M | 1 | |
| | C861 | CK73EXR1E106K | C CAPACITOR | 10uF 25V K | 1 | |
| | C862 | CK73EXR1E106K | C CAPACITOR | 10uF 25V K | 1 | |
| | C863 | CK73GBB1C224K | C CAPACITOR | 0.22uF 16V K | 1 | |
| | C864 | CK73GBB1C224K | C CAPACITOR | 0.22uF 16V K | 1 | |
| | C865 | CK73EXR1A106K | C CAPACITOR | 10uF 10V K | 1 | |
| | C866 | CK73EXR1A106K | C CAPACITOR | 10uF 10V K | 1 | |
| | C867 | CK73GXR1H104K | C CAPACITOR | 0.1uF 50V K | 1 | |
| | C868 | QE20850-157Z | E CAPACITOR | 150uF | 1 | |
| | C869 | CC73GCH1H150J | C CAPACITOR | 15pF 50V J | 1 | |
| | C870 | CK73GXR1H104K | C CAPACITOR | 0.1uF 50V K | 1 | |
| | C890 | CK73GXR1A105K | C CAPACITOR | 1uF 10V K | 1 | |
| | C891 | CK73GXR1H104K | C CAPACITOR | 0.1uF 50V K | 1 | |
| | C904 | CK73GXR1A105K | C CAPACITOR | 1uF 10V K | 1 | |
| | C905 | CD04AR1C471M | E CAPACITOR | 470uF 16V M | 1 | |
| | C907 | CD04AS0J101M | E CAPACITOR | 100uF 6.3V M | 1 | |
| | C908 | CK73GXR1C105K | C CAPACITOR | 1uF 16V K | 1 | |
| | C909 | CK73GXR1H104K | C CAPACITOR | 0.1uF 50V K | 1 | |
| | C911 | CK73GXR1H104K | C CAPACITOR | 0.1uF 50V K | 1 | |
| | C914 | CK73GXR1C105K | C CAPACITOR | 1uF 16V K | 1 | |
| | C915 | CK73GXR1A105K | C CAPACITOR | 1uF 10V K | 1 | |
| | C940 | CK73FXR0J106K | C CAPACITOR | 10uF 6.3V K | 1 | |
| | C941 | CK73GXR1H104K | C CAPACITOR | 0.1uF 50V K | 1 | |

| | |
|----------|------|
| MODEL | MARK |
| DPX520BT | |

| Safe | Symbol No. | Parts No. | Parts Name | Description | QTY | Local |
|------|------------|---------------|-------------|---------------|-----|-------|
| | C942 | CK73FXR0J106K | C CAPACITOR | 10uF 6.3V K | 1 | |
| | C990 | CD04EU1C222M2 | E CAPACITOR | 2200uF 16V M | 1 | |
| | C1000 | CK73GXR1H104K | C CAPACITOR | 0.1uF 50V K | 1 | |
| | C1001 | CK73GBB1H472K | C CAPACITOR | 4700pF 50V K | 1 | |
| | C1003 | CK73EXR1A106K | C CAPACITOR | 10uF 10V K | 1 | |
| | C1004 | CK73GXR1A105K | C CAPACITOR | 1uF 10V K | 1 | |
| | C1005 | CK73GBB1H471K | C CAPACITOR | 470pF 50V K | 1 | |
| | C1007 | CK73GBB1H472K | C CAPACITOR | 4700pF 50V K | 1 | |
| | C1022 | CK73GXR1H104K | C CAPACITOR | 0.1uF 50V K | 1 | |
| | C1024 | CK73GBB1H472K | C CAPACITOR | 4700pF 50V K | 1 | |
| | C1040 | CK73GBB1H471K | C CAPACITOR | 470pF 50V K | 1 | |
| | C1041 | CK73GBB1H471K | C CAPACITOR | 470pF 50V K | 1 | |
| | C1042 | CK73GXR1A105K | C CAPACITOR | 1uF 10V K | 1 | |
| | C1044 | CK73GXR1H104K | C CAPACITOR | 0.1uF 50V K | 1 | |
| | C1045 | CK73GBB1H102K | C CAPACITOR | 1000pF 50V K | 1 | |
| | C1047 | CK73GBB1H472K | C CAPACITOR | 4700pF 50V K | 1 | |
| | C1051 | CC73GCH1H050C | C CAPACITOR | 5pF 50V C | 1 | |
| | C1066 | CK73GXR1H104K | C CAPACITOR | 0.1uF 50V K | 1 | |
| | C1067 | CC73GCH1H821J | C CAPACITOR | 820pF 50V J | 1 | |
| | C1069 | CC73GCH1H050C | C CAPACITOR | 5pF 50V C | 1 | |
| | C1078 | CC73GCH1H050C | C CAPACITOR | 5pF 50V C | 1 | |
| | C1079 | CC73GCH1H050C | C CAPACITOR | 5pF 50V C | 1 | |
| | C1091 | CK73GXR1A105K | C CAPACITOR | 1uF 10V K | 1 | |
| | C1092 | CK73GBB1H333K | C CAPACITOR | 0.033uF 50V K | 1 | |
| | C1093 | CK73GBB1C224K | C CAPACITOR | 0.22uF 16V K | 1 | |
| | C1094 | CK73GBB1C224K | C CAPACITOR | 0.22uF 16V K | 1 | |
| | C1103 | CK73GBB1H471K | C CAPACITOR | 470pF 50V K | 1 | |
| | C1104 | CK73GXR1H104K | C CAPACITOR | 0.1uF 50V K | 1 | |
| | C1106 | CK73GXR1A105K | C CAPACITOR | 1uF 10V K | 1 | |
| | C1107 | CC73GCH1H090D | C CAPACITOR | 9pF 50V D | 1 | |
| | C1110 | CK73GBB1H471K | C CAPACITOR | 470pF 50V K | 1 | |
| | C1225 | CK73GBB1H222K | C CAPACITOR | 2200pF 50V K | 1 | |
| | C1226 | CC73GCH1H101J | C CAPACITOR | 100pF 50V J | 1 | |
| | C1901 | CK73GXR1A105K | C CAPACITOR | 1uF 10V K | 1 | |
| | R100 | RK73GB2A471J | MG RESISTOR | 470Ω 1/10W J | 1 | |
| | R103 | RK73GB2A473J | MG RESISTOR | 47kΩ 1/10W J | 1 | |
| | R104 | RK73GB2A473J | MG RESISTOR | 47kΩ 1/10W J | 1 | |
| | R158 | RK73GB2A910J | MG RESISTOR | 91Ω 1/10W J | 1 | |
| | R159 | RK73GB2A910J | MG RESISTOR | 91Ω 1/10W J | 1 | |
| | R164 | RK73GB2A000J | MG RESISTOR | 0Ω 1/10W J | 1 | |
| | R168 | RK73GB2A101J | MG RESISTOR | 100Ω 1/10W J | 1 | |
| | R169 | RK73GB2A101J | MG RESISTOR | 100Ω 1/10W J | 1 | |
| | R170 | RK73EB2E000J | MG RESISTOR | 0Ω 1/4W J | 1 | |
| | R171 | RK73GB2A103J | MG RESISTOR | 10kΩ 1/10W J | 1 | |
| | R220 | RK73GB2A000J | MG RESISTOR | 0Ω 1/10W J | 1 | |
| | R221 | RK73GB2A101J | MG RESISTOR | 100Ω 1/10W J | 1 | |
| | R223 | RK73GB2A222J | MG RESISTOR | 2.2kΩ 1/10W J | 1 | |
| | R224 | RK73GB2A222J | MG RESISTOR | 2.2kΩ 1/10W J | 1 | |
| | R225 | RK73GB2A471J | MG RESISTOR | 470Ω 1/10W J | 1 | |
| | R226 | RK73GB2A471J | MG RESISTOR | 470Ω 1/10W J | 1 | |
| | R227 | RK73GB2A471J | MG RESISTOR | 470Ω 1/10W J | 1 | |
| | R239 | RK73GB2A471J | MG RESISTOR | 470Ω 1/10W J | 1 | |
| | R240 | RK73GB2A331J | MG RESISTOR | 330Ω 1/10W J | 1 | |
| | R250 | RK73GB2A181J | MG RESISTOR | 180Ω 1/10W J | 1 | |
| | R251 | RK73GB2A223J | MG RESISTOR | 22kΩ 1/10W J | 1 | |
| | R252 | RK73GB2A331J | MG RESISTOR | 330Ω 1/10W J | 1 | |
| | R253 | RK73GB2A000J | MG RESISTOR | 0Ω 1/10W J | 1 | |
| | R270 | RK73GB2A104J | MG RESISTOR | 100kΩ 1/10W J | 1 | |
| | R271 | RK73GB2A331J | MG RESISTOR | 330Ω 1/10W J | 1 | |
| | R273 | RK73GB2A223J | MG RESISTOR | 22kΩ 1/10W J | 1 | |
| | R302 | RK73GB2A222J | MG RESISTOR | 2.2kΩ 1/10W J | 1 | |
| | R303 | RK73GB2A5R1J | MG RESISTOR | 5.1Ω 1/10W J | 1 | |
| | R304 | RK73GB2A000J | MG RESISTOR | 0Ω 1/10W J | 1 | |
| | R320 | RK73GB2A181J | MG RESISTOR | 180Ω 1/10W J | 1 | |
| | R321 | RK73GB2A223J | MG RESISTOR | 22kΩ 1/10W J | 1 | |
| | R323 | RK73GB2A331J | MG RESISTOR | 330Ω 1/10W J | 1 | |
| | R330 | RK73GB2A181J | MG RESISTOR | 180Ω 1/10W J | 1 | |
| | R331 | RK73GB2A223J | MG RESISTOR | 22kΩ 1/10W J | 1 | |
| | R333 | RK73GB2A331J | MG RESISTOR | 330Ω 1/10W J | 1 | |
| | R340 | RK73GB2A181J | MG RESISTOR | 180Ω 1/10W J | 1 | |
| | R341 | RK73GB2A223J | MG RESISTOR | 22kΩ 1/10W J | 1 | |
| | R342 | RK73GB2A000J | MG RESISTOR | 0Ω 1/10W J | 1 | |
| | R343 | RK73GB2A331J | MG RESISTOR | 330Ω 1/10W J | 1 | |
| | R350 | RK73GB2A181J | MG RESISTOR | 180Ω 1/10W J | 1 | |
| | R351 | RK73GB2A223J | MG RESISTOR | 22kΩ 1/10W J | 1 | |
| | R353 | RK73GB2A331J | MG RESISTOR | 330Ω 1/10W J | 1 | |
| | R370 | RK73GB2A683J | MG RESISTOR | 68kΩ 1/10W J | 1 | |
| | R371 | RK73GB2A123J | MG RESISTOR | 12kΩ 1/10W J | 1 | |
| | R372 | RK73GB2A103J | MG RESISTOR | 10kΩ 1/10W J | 1 | |
| | R390 | RK73EB2E472J | MG RESISTOR | 4.7kΩ 1/4W J | 1 | |
| | R400 | RK73GB2A102J | MG RESISTOR | 1kΩ 1/10W J | 1 | |
| | R401 | RK73GB2A000J | MG RESISTOR | 0Ω 1/10W J | 1 | |
| | R402 | RK73GB2A225J | MG RESISTOR | 2.2MΩ 1/10W J | 1 | |
| | R410 | RK73GB2A101J | MG RESISTOR | 100Ω 1/10W J | 1 | |
| | R411 | RK73GB2A101J | MG RESISTOR | 100Ω 1/10W J | 1 | |
| | R412 | RK73GB2A472J | MG RESISTOR | 4.7kΩ 1/10W J | 1 | |
| | R413 | RK73GB2A472J | MG RESISTOR | 4.7kΩ 1/10W J | 1 | |
| | R414 | RK73GB2A472J | MG RESISTOR | 4.7kΩ 1/10W J | 1 | |
| | R541 | RK73GB2A562J | MG RESISTOR | 5.6kΩ 1/10W J | 1 | |
| | R542 | RK73GB2A223J | MG RESISTOR | 22kΩ 1/10W J | 1 | |
| | R543 | RK73GB2A562J | MG RESISTOR | 5.6kΩ 1/10W J | 1 | |
| | R544 | RK73GB2A183J | MG RESISTOR | 18kΩ 1/10W J | 1 | |
| | R546 | RK73GB2A103J | MG RESISTOR | 10kΩ 1/10W J | 1 | |

| | |
|----------|------|
| MODEL | MARK |
| DPX520BT | |

| Safe | Symbol No. | Parts No. | Parts Name | Description | QTY | Local |
|------|------------|--------------|-------------|---------------|-----|-------|
| | R548 | RK73GB2A123J | MG RESISTOR | 12kΩ 1/10W J | 1 | |
| | R550 | RK73GB2A222J | MG RESISTOR | 2.2kΩ 1/10W J | 1 | |
| | R551 | RK73GB2A222J | MG RESISTOR | 2.2kΩ 1/10W J | 1 | |
| | R554 | RK73GB2A225J | MG RESISTOR | 2.2MΩ 1/10W J | 1 | |
| | R556 | RK73GB2A472J | MG RESISTOR | 4.7kΩ 1/10W J | 1 | |
| | R557 | RK73FB2B4R7J | MG RESISTOR | 4.7Ω 1/8W J | 1 | |
| | R558 | RK73GB2A821J | MG RESISTOR | 820Ω 1/10W J | 1 | |
| | R559 | RK73GB2A272J | MG RESISTOR | 2.7kΩ 1/10W J | 1 | |
| | R562 | RK73EB2E823J | MG RESISTOR | 82kΩ 1/4W J | 1 | |
| | R565 | RK73GB2A121J | MG RESISTOR | 120Ω 1/10W J | 1 | |
| | R567 | RK73GB2A101J | MG RESISTOR | 100Ω 1/10W J | 1 | |
| | R569 | RK73EB2E102J | MG RESISTOR | 1kΩ 1/4W J | 1 | |
| | R570 | RK73GB2A101J | MG RESISTOR | 100Ω 1/10W J | 1 | |
| | R571 | RK73GB2A103J | MG RESISTOR | 10kΩ 1/10W J | 1 | |
| | R572 | RK73GB2A102J | MG RESISTOR | 1kΩ 1/10W J | 1 | |
| | R573 | RK73GB2A105J | MG RESISTOR | 1MΩ 1/10W J | 1 | |
| | R579 | RK73GB2A222J | MG RESISTOR | 2.2kΩ 1/10W J | 1 | |
| | R580 | RK73GB2A222J | MG RESISTOR | 2.2kΩ 1/10W J | 1 | |
| | R587 | RK73GB2A150J | MG RESISTOR | 15Ω 1/10W J | 1 | |
| | R589 | RK73GB2A821J | MG RESISTOR | 820Ω 1/10W J | 1 | |
| | R590 | RK73GB2A821J | MG RESISTOR | 820Ω 1/10W J | 1 | |
| | R600 | RK73GB2A102J | MG RESISTOR | 1kΩ 1/10W J | 1 | |
| | R601 | RK73GB2A101J | MG RESISTOR | 100Ω 1/10W J | 1 | |
| | R602 | RK73GB2A820J | MG RESISTOR | 82Ω 1/10W J | 1 | |
| | R603 | RK73GB2A105J | MG RESISTOR | 1MΩ 1/10W J | 1 | |
| | R604 | RK73GB2A105J | MG RESISTOR | 1MΩ 1/10W J | 1 | |
| | R605 | RK73GB2A4R7J | MG RESISTOR | 4.7Ω 1/10W J | 1 | |
| | R611 | RK73GB2A101J | MG RESISTOR | 100Ω 1/10W J | 1 | |
| | R701 | RK73GB2A162J | MG RESISTOR | 1.6kΩ 1/10W J | 1 | |
| | R702 | RK73GB2A472J | MG RESISTOR | 4.7kΩ 1/10W J | 1 | |
| | R703 | RK73GB2A162J | MG RESISTOR | 1.6kΩ 1/10W J | 1 | |
| | R704 | RK73GB2A162J | MG RESISTOR | 1.6kΩ 1/10W J | 1 | |
| | R705 | RK73GB2A162J | MG RESISTOR | 1.6kΩ 1/10W J | 1 | |
| | R707 | RK73GB2A162J | MG RESISTOR | 1.6kΩ 1/10W J | 1 | |
| | R709 | RK73GB2A332J | MG RESISTOR | 3.3kΩ 1/10W J | 1 | |
| | R711 | RK73GB2A222J | MG RESISTOR | 2.2kΩ 1/10W J | 1 | |
| | R713 | RK73GB2A222J | MG RESISTOR | 2.2kΩ 1/10W J | 1 | |
| | R715 | RK73GB2A222J | MG RESISTOR | 2.2kΩ 1/10W J | 1 | |
| | R716 | RK73GB2A222J | MG RESISTOR | 2.2kΩ 1/10W J | 1 | |
| | R717 | RK73GB2A104J | MG RESISTOR | 100kΩ 1/10W J | 1 | |
| | R719 | RK73GB2A911J | MG RESISTOR | 910Ω 1/10W J | 1 | |
| | R720 | RK73GB2A473J | MG RESISTOR | 47kΩ 1/10W J | 1 | |
| | R721 | RK73GB2A473J | MG RESISTOR | 47kΩ 1/10W J | 1 | |
| | R722 | RK73GB2A911J | MG RESISTOR | 910Ω 1/10W J | 1 | |
| | R724 | RK73GB2A105J | MG RESISTOR | 1MΩ 1/10W J | 1 | |
| | R725 | RK73GB2A102J | MG RESISTOR | 1kΩ 1/10W J | 1 | |
| | R726 | RK73GB2A220J | MG RESISTOR | 22Ω 1/10W J | 1 | |
| | R727 | RK73GB2A153J | MG RESISTOR | 15kΩ 1/10W J | 1 | |
| | R728 | RK73GB2A220J | MG RESISTOR | 22Ω 1/10W J | 1 | |
| | R729 | RK73GB2A153J | MG RESISTOR | 15kΩ 1/10W J | 1 | |
| | R730 | RK73GB2A473J | MG RESISTOR | 47kΩ 1/10W J | 1 | |
| | R731 | RK73GB2A473J | MG RESISTOR | 47kΩ 1/10W J | 1 | |
| | R732 | RK73GB2A473J | MG RESISTOR | 47kΩ 1/10W J | 1 | |
| | R734 | RK73GB2A223J | MG RESISTOR | 22kΩ 1/10W J | 1 | |
| | R735 | RK73GB2A273J | MG RESISTOR | 27kΩ 1/10W J | 1 | |
| | R739 | RK73GB2A473J | MG RESISTOR | 47kΩ 1/10W J | 1 | |
| | R740 | RK73GB2A473J | MG RESISTOR | 47kΩ 1/10W J | 1 | |
| | R741 | RK73GB2A473J | MG RESISTOR | 47kΩ 1/10W J | 1 | |
| | R742 | RK73GB2A473J | MG RESISTOR | 47kΩ 1/10W J | 1 | |
| | R743 | RK73GB2A473J | MG RESISTOR | 47kΩ 1/10W J | 1 | |
| | R744 | RK73GB2A473J | MG RESISTOR | 47kΩ 1/10W J | 1 | |
| | R745 | RK73GB2A222J | MG RESISTOR | 2.2kΩ 1/10W J | 1 | |
| | R746 | RK73GB2A472J | MG RESISTOR | 4.7kΩ 1/10W J | 1 | |
| | R747 | RK73GB2A472J | MG RESISTOR | 4.7kΩ 1/10W J | 1 | |
| | R748 | RK73GB2A473J | MG RESISTOR | 47kΩ 1/10W J | 1 | |
| | R749 | RK73GB2A473J | MG RESISTOR | 47kΩ 1/10W J | 1 | |
| | R750 | RK73GB2A121J | MG RESISTOR | 120Ω 1/10W J | 1 | |
| | R751 | RK73GB2A473J | MG RESISTOR | 47kΩ 1/10W J | 1 | |
| | R752 | RK73GB2A121J | MG RESISTOR | 120Ω 1/10W J | 1 | |
| | R753 | RK73EB2E910J | MG RESISTOR | 91Ω 1/4W J | 1 | |
| | R754 | RK73GB2A121J | MG RESISTOR | 120Ω 1/10W J | 1 | |
| | R755 | RK73GB2A100J | MG RESISTOR | 10Ω 1/10W J | 1 | |
| | R756 | RK73GB2A473J | MG RESISTOR | 47kΩ 1/10W J | 1 | |
| | R757 | RK73GB2A473J | MG RESISTOR | 47kΩ 1/10W J | 1 | |
| | R758 | RK73GB2A473J | MG RESISTOR | 47kΩ 1/10W J | 1 | |
| | R759 | RK73EB2E161J | MG RESISTOR | 160Ω 1/4W J | 1 | |
| | R760 | RK73GB2A473J | MG RESISTOR | 47kΩ 1/10W J | 1 | |
| | R761 | RK73GB2A473J | MG RESISTOR | 47kΩ 1/10W J | 1 | |
| | R762 | RK73GB2A473J | MG RESISTOR | 47kΩ 1/10W J | 1 | |
| | R763 | RK73GB2A472J | MG RESISTOR | 4.7kΩ 1/10W J | 1 | |
| | R764 | RK73GB2A472J | MG RESISTOR | 4.7kΩ 1/10W J | 1 | |
| | R769 | RK73GB2A473J | MG RESISTOR | 47kΩ 1/10W J | 1 | |
| | R820 | RK73GB2A473J | MG RESISTOR | 47kΩ 1/10W J | 1 | |
| | R821 | RK73GB2A473J | MG RESISTOR | 47kΩ 1/10W J | 1 | |
| | R822 | RK73GB2A473J | MG RESISTOR | 47kΩ 1/10W J | 1 | |
| | R840 | RK73GB2A271J | MG RESISTOR | 270Ω 1/10W J | 1 | |
| | R841 | RK73GB2A271J | MG RESISTOR | 270Ω 1/10W J | 1 | |
| | R861 | RK73GB2A200J | MG RESISTOR | 20Ω 1/10W J | 1 | |
| | R863 | RK73GB2A393J | MG RESISTOR | 39kΩ 1/10W J | 1 | |
| | R865 | RK73GH2A683D | MG RESISTOR | 68kΩ 1/10W D | 1 | |
| | R866 | RK73GH2A203D | MG RESISTOR | 20kΩ 1/10W D | 1 | |
| | R867 | RK73GH2A333D | MG RESISTOR | 33kΩ 1/10W D | 1 | |

| MODEL | MARK |
|----------|------|
| DPX520BT | |

| Safe | Symbol No. | Parts No. | Parts Name | Description | QTY | Local |
|------|------------------------------------|---------------|-----------------|----------------|-----|-------|
| | R868 | RK73GB2A000J | MG RESISTOR | 0Ω 1/10W J | 1 | |
| | R890 | RK73GH2A203D | MG RESISTOR | 20kΩ 1/10W D | 1 | |
| | R901 | RK73GB2A100J | MG RESISTOR | 10Ω 1/10W J | 1 | |
| | R902 | RK73GB2A100J | MG RESISTOR | 10Ω 1/10W J | 1 | |
| | R903 | RK73GB2A100J | MG RESISTOR | 10Ω 1/10W J | 1 | |
| | R904 | RK73EB2E682J | MG RESISTOR | 6.8kΩ 1/4W J | 1 | |
| | R905 | RK73EB2E682J | MG RESISTOR | 6.8kΩ 1/4W J | 1 | |
| | R906 | RK73EB2E473J | MG RESISTOR | 47kΩ 1/4W J | 1 | |
| | R907 | RK73EB2E473J | MG RESISTOR | 47kΩ 1/4W J | 1 | |
| | R940 | RK73EB2E1R0J | MG RESISTOR | 1Ω 1/4W J | 1 | |
| | R1002 | RK73GB2A000J | MG RESISTOR | 0Ω 1/10W J | 1 | |
| | R1003 | RK73GB2A473J | MG RESISTOR | 47kΩ 1/10W J | 1 | |
| | R1023 | RK73GB2A101J | MG RESISTOR | 100Ω 1/10W J | 1 | |
| | R1024 | RK73EB2E000J | MG RESISTOR | 0Ω 1/4W J | 1 | |
| | R1025 | RK73GB2A101J | MG RESISTOR | 100Ω 1/10W J | 1 | |
| | R1035 | RK73GB2A000J | MG RESISTOR | 0Ω 1/10W J | 1 | |
| | R1036 | RK73EB2E000J | MG RESISTOR | 0Ω 1/4W J | 1 | |
| | R1040 | RK73GB2A000J | MG RESISTOR | 0Ω 1/10W J | 1 | |
| | R1041 | RK73GB2A000J | MG RESISTOR | 0Ω 1/10W J | 1 | |
| | R1043 | RK73GB2A000J | MG RESISTOR | 0Ω 1/10W J | 1 | |
| | R1049 | RK73GB2A000J | MG RESISTOR | 0Ω 1/10W J | 1 | |
| | R1051 | RK73GB2A100J | MG RESISTOR | 10Ω 1/10W J | 1 | |
| | R1053 | RK73GB2A100J | MG RESISTOR | 10Ω 1/10W J | 1 | |
| | R1055 | RK73GB2A100J | MG RESISTOR | 10Ω 1/10W J | 1 | |
| | R1057 | RK73GB2A100J | MG RESISTOR | 10Ω 1/10W J | 1 | |
| | R1059 | RK73GH2A100D | MG RESISTOR | 10Ω 1/10W D | 1 | |
| | R1064 | RK73GB2A100J | MG RESISTOR | 10Ω 1/10W J | 1 | |
| | R1065 | RK73GB2A100J | MG RESISTOR | 10Ω 1/10W J | 1 | |
| | R1070 | RK73GB2A102J | MG RESISTOR | 1kΩ 1/10W J | 1 | |
| | R1071 | RK73GB2A000J | MG RESISTOR | 0Ω 1/10W J | 1 | |
| | R1073 | RK73GB2A000J | MG RESISTOR | 0Ω 1/10W J | 1 | |
| | R1075 | RK73GB2A100J | MG RESISTOR | 10Ω 1/10W J | 1 | |
| | R1077 | RK73EB2E000J | MG RESISTOR | 0Ω 1/4W J | 1 | |
| | R1078 | RK73EB2E000J | MG RESISTOR | 0Ω 1/4W J | 1 | |
| | R1080 | RK73GB2A000J | MG RESISTOR | 0Ω 1/10W J | 1 | |
| | R1081 | RK73GB2A000J | MG RESISTOR | 0Ω 1/10W J | 1 | |
| | R1082 | RK73EB2E000J | MG RESISTOR | 0Ω 1/4W J | 1 | |
| | R1083 | RK73GB2A000J | MG RESISTOR | 0Ω 1/10W J | 1 | |
| | R1092 | RK73EB2E000J | MG RESISTOR | 0Ω 1/4W J | 1 | |
| | R1107 | RK73GH2A100D | MG RESISTOR | 10Ω 1/10W D | 1 | |
| | R1700 | RK73GB2A183J | MG RESISTOR | 18kΩ 1/10W J | 1 | |
| | R1861 | RK73EB2E221J | MG RESISTOR | 220Ω 1/4W J | 1 | |
| | R1862 | RK73EB2E201J | MG RESISTOR | 200Ω 1/4W J | 1 | |
| | R1863 | RK73EB2E201J | MG RESISTOR | 200Ω 1/4W J | 1 | |
| | RA540 | RK74GB1J471J | NET RESISTOR | 470Ω 1/16W J | 1 | |
| | L220 | LR73Z0AD470M | CHIP INDUCTOR | 47uH | 1 | |
| | L221 | NQR0713-001X | FERRITE BEADS | | 1 | |
| | L222 | NQR0713-001X | FERRITE BEADS | | 1 | |
| | L223 | LR73Z0AD470M | CHIP INDUCTOR | 47uH | 1 | |
| | L540 | NQR0713-001X | FERRITE BEADS | | 1 | |
| | L574 | NQR0713-001X | FERRITE BEADS | | 1 | |
| | L601 | LK73G0BE4R7K | M.CHIP INDUCTOR | | 1 | |
| | L602 | LK73G0BER47K | M.CHIP INDUCTOR | | 1 | |
| | L603 | NQLM93K-R10X | INDUCTOR | 0.1uH K | 1 | |
| | L604 | LK73G0BE1R0K | M.CHIP INDUCTOR | | 1 | |
| | L605 | LK73G0BER22K | M.CHIP INDUCTOR | | 1 | |
| | L606 | LK73G0BER12K | M.CHIP INDUCTOR | | 1 | |
| | L607 | LK73G0BER15K | M.CHIP INDUCTOR | | 1 | |
| | L611 | LR73Z0AD220M | CHIP INDUCTOR | 22uH | 1 | |
| | L700 | NQR0713-001X | FERRITE BEADS | | 1 | |
| | L701 | NQR0714-001X | FERRITE BEADS | | 1 | |
| | L709 | NQR0713-001X | FERRITE BEADS | | 1 | |
| | L710 | NQR0713-001X | FERRITE BEADS | | 1 | |
| | L777 | NQR0713-001X | FERRITE BEADS | | 1 | |
| | L778 | NQR0713-001X | FERRITE BEADS | | 1 | |
| | L820 | NQR0713-001X | FERRITE BEADS | | 1 | |
| | L821 | NQR0713-001X | FERRITE BEADS | | 1 | |
| | L822 | NQR0713-001X | FERRITE BEADS | | 1 | |
| | L823 | NQR0713-001X | FERRITE BEADS | | 1 | |
| | L824 | NQR0713-001X | FERRITE BEADS | | 1 | |
| | L825 | LB73G0CA-002 | CHIP FERRITE | | 1 | |
| | L826 | LB73G0CK-001 | CHIP FERRITE | | 1 | |
| | L827 | NQR0714-001X | FERRITE BEADS | | 1 | |
| | L850 | LR73Z0AD4R7M | CHIP INDUCTOR | 4.7uH | 1 | |
| | L860 | NQLL6EM-100X | INDUCTOR | 10uH M | 1 | |
| | L861 | NQLLH65M-4R7X | INDUCTOR | 4.7uH M | 1 | |
| | L990 | QQR1927-001 | CHOKE COIL | | 1 | |
| | L1000 | NQR0713-001X | FERRITE BEADS | | 1 | |
| | L1701 | NQR0713-001X | FERRITE BEADS | | 1 | |
| | CN221 | QGF1040C1-11 | FFC/FPC CONNE | FFC/FPC (1-11) | 1 | |
| | CN502 | QGF1040C1-24 | FFC/FPC CONNE | FFC/FPC (1-24) | 1 | |
| | CN701 | QGB1004K2-20W | B TO B CONNE | B-B (1-20) | 1 | |
| | CN990 | QNZ0607-001 | CAR CONNECTOR | | 1 | |
| | J220 | QNS0307-001 | 3.5 JACK | | 1 | |
| | J321 | QNN0866-001 | PIN JACK | | 1 | |
| | J600 | QNB0356-001 | ANT TERMINAL | | 1 | |
| | X540 | NAX1224-001X | CRYSTAL | | 1 | |
| | X600 | QAX0969-001Z | CRYSTAL | | 1 | |
| | X701 | NAX1243-001X | CRYSTAL | | 1 | |
| | SWITCH PWB ASSY (XJ6-0420-10) <02> | | | | | |
| | IC1 | BU97530KV-M-X | IC | | 1 | |
| | IC90 | SIR8630B6T | IR DETECT UNIT | | 1 | |

| | |
|----------|------|
| MODEL | MARK |
| DPX520BT | |

| Safe | Symbol No. | Parts No. | Parts Name | Description | QTY | Local |
|------|------------|----------------|----------------|---------------|-----|-------|
| | Q1 | LSCR523UBFS8 | TRANSISTOR | | 1 | |
| | Q51 | LSCR523UBFS8 | TRANSISTOR | | 1 | |
| | Q52 | LSCR523UBFS8 | TRANSISTOR | | 1 | |
| | Q53 | LSCR523UBFS8 | TRANSISTOR | | 1 | |
| | D1 | DZ2J056M | ZENER DIODE | | 1 | |
| | D2 | MBRX130 | SCHOTTKY DIODE | | 1 | |
| | D20 | SML-D12V8WT | LED | | 1 | |
| | D21 | LRTBGFTG/Z1Z1X | LED | | 1 | |
| | D22 | LRTBGFTG/Z1Z1X | LED | | 1 | |
| | D23 | LRTBGFTG/Z1Z1X | LED | | 1 | |
| | D24 | LRTBGFTG/Z1Z1X | LED | | 1 | |
| | D25 | LRTBGFTG/Z1Z1X | LED | | 1 | |
| | D26 | LRTBGFTG/Z1Z1X | LED | | 1 | |
| | D27 | LRTBGFTG/Z1Z1X | LED | | 1 | |
| | D28 | LRTBGFTG/Z1Z1X | LED | | 1 | |
| | D29 | LRTBGFTG/Z1Z1X | LED | | 1 | |
| | D40 | NESM026DT-W | LED | | 1 | |
| | D80 | DZ2J051M | ZENER DIODE | | 1 | |
| | D81 | DZ2J051M | ZENER DIODE | | 1 | |
| | C1 | CK73GBB1H471K | C CAPACITOR | 470pF 50V K | 1 | |
| | C5 | CK73GXR1C105K | C CAPACITOR | 1uF 16V K | 1 | |
| | C6 | CK73EXR1C106K | C CAPACITOR | 10uF 16V K | 1 | |
| | C9 | CK73GXR1C105K | C CAPACITOR | 1uF 16V K | 1 | |
| | C60 | CK73GBB1H102K | C CAPACITOR | 1000pF 50V K | 1 | |
| | C61 | CK73GBB1H102K | C CAPACITOR | 1000pF 50V K | 1 | |
| | C80 | CC73GCH1H270J | C CAPACITOR | 27pF 50V J | 1 | |
| | C81 | CC73GCH1H270J | C CAPACITOR | 27pF 50V J | 1 | |
| | C82 | CK73EXR1C106K | C CAPACITOR | 10uF 16V K | 1 | |
| | C83 | CK73GBB1H471K | C CAPACITOR | 470pF 50V K | 1 | |
| | C84 | CK73GBB1H472K | C CAPACITOR | 470pF 50V K | 1 | |
| | C85 | CK73GBB1H471K | C CAPACITOR | 470pF 50V K | 1 | |
| | C86 | CK73GBB1H472K | C CAPACITOR | 470pF 50V K | 1 | |
| | C90 | CK73GXR1A105K | C CAPACITOR | 1uF 10V K | 1 | |
| | R1 | RK73GB2A101J | MG RESISTOR | 100Ω 1/10W J | 1 | |
| | R2 | RK73GB2A000J | MG RESISTOR | 0Ω 1/10W J | 1 | |
| | R3 | RK73GB2A101J | MG RESISTOR | 100Ω 1/10W J | 1 | |
| | R4 | RK73GB2A101J | MG RESISTOR | 100Ω 1/10W J | 1 | |
| | R5 | RK73FB2B331J | MG RESISTOR | 330Ω 1/8W J | 1 | |
| | R6 | RK73GB2A102J | MG RESISTOR | 1kΩ 1/10W J | 1 | |
| | R7 | RK73EB2E000J | MG RESISTOR | 0Ω 1/4W J | 1 | |
| | R18 | RK73GB2A101J | MG RESISTOR | 100Ω 1/10W J | 1 | |
| | R22 | RK73GB2A471J | MG RESISTOR | 470Ω 1/10W J | 1 | |
| | R23 | RK73GB2A471J | MG RESISTOR | 470Ω 1/10W J | 1 | |
| | R24 | RK73GB2A751J | MG RESISTOR | 750Ω 1/10W J | 1 | |
| | R25 | RK73GB2A471J | MG RESISTOR | 470Ω 1/10W J | 1 | |
| | R27 | RK73GB2A471J | MG RESISTOR | 470Ω 1/10W J | 1 | |
| | R28 | RK73GB2A751J | MG RESISTOR | 750Ω 1/10W J | 1 | |
| | R30 | RK73EB2E471J | MG RESISTOR | 470Ω 1/4W J | 1 | |
| | R31 | RK73GB2A471J | MG RESISTOR | 470Ω 1/10W J | 1 | |
| | R32 | RK73GB2A751J | MG RESISTOR | 750Ω 1/10W J | 1 | |
| | R34 | RK73GB2A471J | MG RESISTOR | 470Ω 1/10W J | 1 | |
| | R35 | RK73GB2A471J | MG RESISTOR | 470Ω 1/10W J | 1 | |
| | R36 | RK73EB2E751J | MG RESISTOR | 750Ω 1/4W J | 1 | |
| | R38 | RK73EB2E821J | MG RESISTOR | 820Ω 1/4W J | 1 | |
| | R39 | RK73FB2B821J | MG RESISTOR | 820Ω 1/8W J | 1 | |
| | R40 | RK73FB2B102J | MG RESISTOR | 1kΩ 1/8W J | 1 | |
| | R45 | RK73FB2B122J | MG RESISTOR | 1.2kΩ 1/8W J | 1 | |
| | R46 | RK73FB2B821J | MG RESISTOR | 820Ω 1/8W J | 1 | |
| | R47 | RK73FB2B122J | MG RESISTOR | 1.2kΩ 1/8W J | 1 | |
| | R48 | RK73FB2B122J | MG RESISTOR | 1.2kΩ 1/8W J | 1 | |
| | R49 | RK73FB2B122J | MG RESISTOR | 1.2kΩ 1/8W J | 1 | |
| | R51 | RK73GB2A472J | MG RESISTOR | 4.7kΩ 1/10W J | 1 | |
| | R52 | RK73GB2A472J | MG RESISTOR | 4.7kΩ 1/10W J | 1 | |
| | R53 | RK73GB2A472J | MG RESISTOR | 4.7kΩ 1/10W J | 1 | |
| | R60 | RK73FB2B101J | MG RESISTOR | 100Ω 1/8W J | 1 | |
| | R61 | RK73FB2B101J | MG RESISTOR | 100Ω 1/8W J | 1 | |
| | R62 | RK73FB2B4R7J | MG RESISTOR | 4.7Ω 1/8W J | 1 | |
| | R70 | RK73GB2A222J | MG RESISTOR | 2.2kΩ 1/10W J | 1 | |
| | R80 | RK73EB2E221J | MG RESISTOR | 220Ω 1/4W J | 1 | |
| | R1006 | RK73EB2E000J | MG RESISTOR | 0Ω 1/4W J | 1 | |
| | R1007 | RK73GB2A000J | MG RESISTOR | 0Ω 1/10W J | 1 | |
| | R1009 | RK73EB2E000J | MG RESISTOR | 0Ω 1/4W J | 1 | |
| | RA1 | RK74GB1J101J | NET RESISTOR | 100Ω 1/16W J | 1 | |
| | RA2 | RK74GB1J101J | NET RESISTOR | 100Ω 1/16W J | 1 | |
| | RA3 | RK74GB1J101J | NET RESISTOR | 100Ω 1/16W J | 1 | |
| | CN1 | QGB1004J2-20X | B TO B CONNE | B-B (1-20) | 1 | |
| | FL80 | NQR0704-001X | CHOKE COIL | | 1 | |
| | J60 | QNS0320-001 | 3.5 JACK | | 1 | |
| | J80 | QNZ1076-001 | USB CONNECTOR | | 1 | |
| | S1 | NSW0246-001X | TACT SWITCH | | 1 | |
| | S2 | NSW0246-001X | TACT SWITCH | | 1 | |
| | S3 | NSW0246-001X | TACT SWITCH | | 1 | |
| | S4 | NSW0246-001X | TACT SWITCH | | 1 | |
| | S5 | NSW0246-001X | TACT SWITCH | | 1 | |
| | S6 | NSW0246-001X | TACT SWITCH | | 1 | |
| | S7 | NSW0246-001X | TACT SWITCH | | 1 | |
| | S8 | NSW0246-001X | TACT SWITCH | | 1 | |
| | S9 | NSW0246-001X | TACT SWITCH | | 1 | |
| | S10 | NSW0246-001X | TACT SWITCH | | 1 | |
| | S11 | NSW0246-001X | TACT SWITCH | | 1 | |
| | S12 | NSW0246-001X | TACT SWITCH | | 1 | |
| | S13 | NSW0246-001X | TACT SWITCH | | 1 | |
| | S14 | NSW0246-001X | TACT SWITCH | | 1 | |

| MODEL | | | | | MARK |
|---------------------------------------|------------|---------------|----------------|----------------|-----------|
| DPX520BT | | | | | |
| Safe | Symbol No. | Parts No. | Parts Name | Description | QTY Local |
| S15 | | NSW0246-001X | TACT SWITCH | | 1 |
| S16 | | NSW0246-001X | TACT SWITCH | | 1 |
| S17 | | NSW0246-001X | TACT SWITCH | | 1 |
| S18 | | NSW0246-001X | TACT SWITCH | | 1 |
| S20 | | T9K-0007-00 | ROTARY ENCODER | | 1 |
| CD MECHA PWB ASSY (LVA20106-01A) <03> | | | | | |
| IC1 | | BD8266EFV-M-X | IC | | 1 |
| C26 | | CK73FXR1C106K | C CAPACITOR | 10uF 16V K | 1 |
| C54 | | NCB31HK-104X | C CAPACITOR | 0.1uF 50V K | 1 |
| C55 | | CK73FXR1C106K | C CAPACITOR | 10uF 16V K | 1 |
| R18 | | RK73GB2A822J | MG RESISTOR | 8.2kΩ 1/10W J | 1 |
| R21 | | RK73GB2A822J | MG RESISTOR | 8.2kΩ 1/10W J | 1 |
| R24 | | RK73GB2A272J | MG RESISTOR | 2.7kΩ 1/10W J | 1 |
| R27 | | RK73GB2A562J | MG RESISTOR | 5.6kΩ 1/10W J | 1 |
| R28 | | RK73GB2A114J | MG RESISTOR | 110kΩ 1/10W J | 1 |
| R29 | | RK73GB2A101J | MG RESISTOR | 100Ω 1/10W J | 1 |
| R30 | | RK73GB2A101J | MG RESISTOR | 100Ω 1/10W J | 1 |
| R36 | | RK73GB2A000J | MG RESISTOR | 0Ω 1/10W J | 1 |
| R37 | | RK73GB2A000J | MG RESISTOR | 0Ω 1/10W J | 1 |
| R38 | | RK73GB2A000J | MG RESISTOR | 0Ω 1/10W J | 1 |
| R40 | | RK73GB2A000J | MG RESISTOR | 0Ω 1/10W J | 1 |
| R42 | | RK73EB2E000J | MG RESISTOR | 0Ω 1/4W J | 1 |
| R47 | | RK73EB2E000J | MG RESISTOR | 0Ω 1/4W J | 1 |
| R48 | | RK73EB2E000J | MG RESISTOR | 0Ω 1/4W J | 1 |
| R50 | | RK73GB2A131J | MG RESISTOR | 130Ω 1/10W J | 1 |
| CN1 | | QGF1044F2-24X | FFC/FPC CONNE | FFC/FPC (1-24) | 1 |
| CN2 | | QGF0522F6-15W | FFC/FPC CONNE | FFC/FPC (1-15) | 1 |
| SW1 | | NSW0291-001X | DETECT SWITCH | | 1 |
| SW2 | | NSW0291-001X | DETECT SWITCH | | 1 |
| SW3 | | NSW0313-001X | DETECT SWITCH | | 1 |
| CD MECHA PWB ASSY (X32-6680-00) <04> | | | | | |
| IC1 | | BD8266EFV-M-X | IC | | 1 |
| C26 | | CK73FXR1C106K | C CAPACITOR | 10uF 16V K | 1 |
| C54 | | CK73GB1H104K | C CAPACITOR | 0.1uF 50V K | 1 |
| C55 | | CK73FXR1C106K | C CAPACITOR | 10uF 16V K | 1 |
| R18 | | RK73GB2A822J | MG RESISTOR | 8.2kΩ 1/10W J | 1 |
| R21 | | RK73GB2A822J | MG RESISTOR | 8.2kΩ 1/10W J | 1 |
| R24 | | RK73GB2A272J | MG RESISTOR | 2.7kΩ 1/10W J | 1 |
| R27 | | RK73GB2A562J | MG RESISTOR | 5.6kΩ 1/10W J | 1 |
| R28 | | RK73GB2A114J | MG RESISTOR | 110kΩ 1/10W J | 1 |
| R29 | | RK73GB2A101J | MG RESISTOR | 100Ω 1/10W J | 1 |
| R30 | | RK73GB2A101J | MG RESISTOR | 100Ω 1/10W J | 1 |
| R36 | | RK73GB2A000J | MG RESISTOR | 0Ω 1/10W J | 1 |
| R37 | | RK73GB2A000J | MG RESISTOR | 0Ω 1/10W J | 1 |
| R38 | | RK73GB2A000J | MG RESISTOR | 0Ω 1/10W J | 1 |
| R40 | | RK73GB2A000J | MG RESISTOR | 0Ω 1/10W J | 1 |
| R42 | | RK73EB2E000J | MG RESISTOR | 0Ω 1/4W J | 1 |
| R47 | | RK73EB2E000J | MG RESISTOR | 0Ω 1/4W J | 1 |
| R48 | | RK73EB2E000J | MG RESISTOR | 0Ω 1/4W J | 1 |
| R50 | | RK73GB2A131J | MG RESISTOR | 130Ω 1/10W J | 1 |
| CN1 | | QGF1044F2-24X | FFC/FPC CONNE | FFC/FPC (1-24) | 1 |
| CN2 | | E41-3488-05 | F.C.CONNECTOR | | 1 |
| S1 | | S6J-0001-00 | PUSH SWITCH | | 1 |
| S2 | | S6J-0001-00 | PUSH SWITCH | | 1 |
| S3 | | S6J-0002-00 | PUSH SWITCH | | 1 |