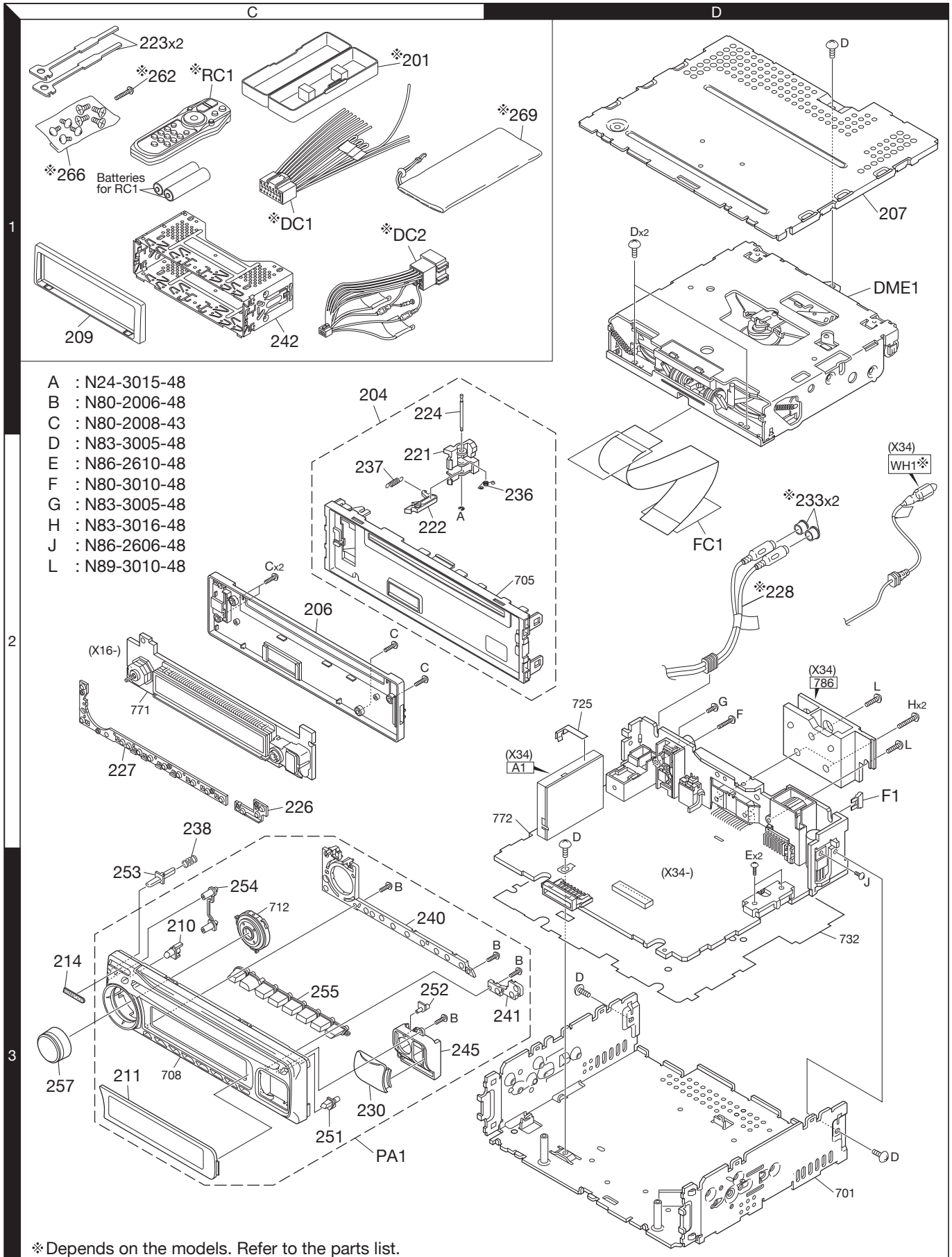


EXPLODED VIEW (UNIT)



Parts with the exploded numbers larger than 700 are not supplied.

PARTS LIST

* New parts

Parts without **Parts No.** are not supplied.

Les articles non mentionnés dans le **Parts No.** ne sont pas fournis.

Teile ohne **Parts No.** werden nicht geliefert.

Ref. No.	A d	N e w	Parts No.	Description	Desti- nation
KDC-MP338/MP4039/W4041x/W4141xx					
201	1C	*	A02-2755-13	PLASTIC CABINET ASSY	M1
204	1C		A22-3149-03	SUB PANEL ASSY	
206	2C	*	A46-1863-01	REAR COVER	
207	1D		A52-0804-12	TOP PLATE	
PA1	3C	*	A64-4384-02	PANEL ASSY	K1
PA1	3C	*	A64-4385-02	PANEL ASSY	M1
PA1	3C	*	A64-4386-02	PANEL ASSY	E2E3
PA1	3C	*	A64-4388-02	PANEL ASSY	E5E6
PA1	3C	*	A64-4407-02	PANEL ASSY	E1
PA1	3C	*	A64-4408-02	PANEL ASSY	E4
RC1	1C		A70-2087-05	REMOTE CONTROLLER ASSY (RC-557)	K1M1E4
RC1	1C		A70-2087-05	REMOTE CONTROLLER ASSY (RC-557)	E5E6
-		*	B64-3955-00	INST. MANUAL (ENG.FRE.SPA.)	K1
-		*	B64-3956-00	INST. MANUAL (ENG.S-CHI.)	M1
-		*	B64-3957-00	INST. MANUAL (ARABIC)	M1
-		*	B64-3958-00	INST. MANUAL (ENGLISH)	E1E2E3
-		*	B64-3958-00	INST. MANUAL (ENGLISH)	E4E5E6
-		*	B64-3959-00	INST. MANUAL (FRE.GER.DUT.)	E1E2E3
-		*	B64-3960-00	INST. MANUAL (ITA.SPA.POR.)	E1E2E3
-		*	B64-3961-00	INST. MANUAL (RUSSIAN)	E4E5E6
209	1C	*	B07-3244-01	ESCUTCHEON	K1E1E2
209	1C	*	B07-3244-01	ESCUTCHEON	E3E4E5
209	1C	*	B07-3244-01	ESCUTCHEON	E6
209	1C	*	B07-3245-01	ESCUTCHEON	M1
210	3C	*	B10-5047-04	FRONT GLASS (REMOTE)	
211	3C	*	B10-5049-01	FRONT GLASS	K1
211	3C	*	B10-5050-01	FRONT GLASS	M1
211	3C	*	B10-5051-01	FRONT GLASS	E1E2E3
211	3C	*	B10-5053-01	FRONT GLASS	E4E5E6
214	3C		B43-1518-04	BADGE	
221	2C		D10-4446-03	LEVER	
222	2C		D10-4447-03	LEVER	
223	1C	*	D10-7012-04	LEVER	
224	1C		D21-2329-04	SHAFT	
226	2C	*	E29-2117-03	CONDUCTIVE RUBBER (EJECT)	
227	2C	*	E29-2118-02	CONDUCTIVE RUBBER (PRESET)	
228	2D		E30-6229-05	CORD WITH PINPLUG	K1M1
△ DC1	1C	*	E30-6798-05	DC CORD	K1M1
△ DC2	1C		E30-6413-05	DC CORD	E1E2E3
△ DC2	1C		E30-6413-05	DC CORD	E4E5E6
FC1	2D		E39-0958-05	FLAT CABLE	
230	3C	*	F07-1194-02	COVER	
233	2D		F29-0626-04	INSULATING COVER	K1M1
△ F1	2D		F52-0023-05	FUSE (MINI BLADE TYPE) (10A)	
236	2D		G01-2987-04	TORSION COIL SPRING	
237	2C		G01-3096-04	EXTENSION SPRING	
238	2C		G01-3244-04	COMPRESSION SPRING (REL)	
-		*	H54-4254-03	ITEM CARTON CASE	K1
-		*	H54-4255-03	ITEM CARTON CASE	M1
-		*	H54-4256-03	ITEM CARTON CASE	E1
-		*	H54-4257-03	ITEM CARTON CASE	E2

Ref. No.	A d	N e w	Parts No.	Description	Desti- nation
-		*	H54-4258-03	ITEM CARTON CASE	E3
-		*	H54-4259-03	ITEM CARTON CASE	E4
-		*	H54-4260-03	ITEM CARTON CASE	E5
-		*	H54-4261-03	ITEM CARTON CASE	E6
240	3C	*	J19-7192-02	HOLDER (PRESET)	
241	3D	*	J19-7193-03	HOLDER (EJECT/RESET)	
242	1C		J21-9716-03	MOUNTING HARDWARE ASSY	
245	3C	*	J90-1162-02	GUIDE	
251	3C	*	K24-4798-04	PUSH KNOB (EJECT)	
252	3C	*	K24-4799-04	PUSH KNOB (RESET)	
253	3C	*	K24-4800-04	PUSH KNOB (RELEASE)	
254	3C	*	K25-1917-03	PUSH KNOB (AME/DSP)	
255	3C	*	K25-1918-02	PUSH KNOB (PRESET)	
257	3C	*	K28-0280-04	KNOB ASSY (VOL)	
262	1C		N84-4016-48	PAN HEAD TAPTITE SCREW	K1M1
266	1C	*	N99-1757-15	SCREW SET	K1M1
A	2C		N24-3015-48	E TYPE RETAINING RING	
B	3C		N80-2006-48	PAN HEAD TAPTITE SCREW	
C	2C		N80-2008-43	PAN HEAD TAPTITE SCREW	
D	1D		N83-3005-48	PAN HEAD TAPTITE SCREW	
E	3D		N86-2610-48	BINDING HEAD TAPTITE SCREW	
269	1D	*	W01-1710-05	CARRYING CASE	K1E1E2
269	1D	*	W01-1710-05	CARRYING CASE	E3E4E5
269	1D	*	W01-1710-05	CARRYING CASE	E6
DME1	1D		X92-5880-06	MECHANISM ASSY (DXM-6E06W)	
SWITCH UNIT (X16-623x-xx)					
D1-12			B30-1779-05	LED (1608,SR)	K1M1E2
D1-12			B30-1779-05	LED (1608,SR)	E5
D1-12			B30-1780-05	LED (1608,PG)	E3E6
D1-12		*	B30-1788-05	LED (1608,WHITE)	E1E4
D16			B30-1779-05	LED (1608,SR)	
D21-23			B30-1779-05	LED (1608,SR)	E2E5
D21-23			B30-1781-05	LED (1608,BLUE)	K1M1
D21-23		*	B30-1788-05	LED (1608,WHITE)	E1E4
D21-27			B30-1780-05	LED (1608,PG)	E3E6
D27			B30-1779-05	LED (1608,SR)	E2E5
D27			B30-1781-05	LED (1608,BLUE)	K1M1
D27		*	B30-1788-05	LED (1608,WHITE)	E1E4
D115,116			B30-1779-05	LED (1608,SR)	E2E5
D115,116			B30-1781-05	LED (1608,BLUE)	K1M1
D115,116		*	B30-1788-05	LED (1608,WHITE)	E1E4
C8			CK73GB1A105K	CHIP C 1.0UF K	
C10			CK73GB1C104K	CHIP C 0.10UF K	
C28			CC73GCH1H102J	CHIP C 1000PF J	
C29			CC73GCH1H471J	CHIP C 470PF J	
C31			CK73GB1C104K	CHIP C 0.10UF K	
C32			CK73GB1H103K	CHIP C 0.010UF K	
C102,103			CK73GB1H102K	CHIP C 1000PF K	
C105,106			CK73GB1H103K	CHIP C 0.010UF K	
J1			E59-0852-05	RECTANGULAR PLUG	
J3		*	E11-0654-05	3.5D PHONE JACK	

K1 : KDC-MP338 **M1** : KDC-MP4039 **E1** : KDC-W4041W **E2** : KDC-W4041A
E3 : KDC-W4041G **E4** : KDC-W4141WY **E5** : KDC-W4141AY **E6** : KDC-W4141GY

△ Indicates safety critical components.

PARTS LIST

SWITCH UNIT (X16-623x-xx)

Ref. No.	Add	New	Parts No.	Description	Destination	Ref. No.	Add	New	Parts No.	Description	Destination
CP10,11			RK74HB1J101J	CHIP-COM 100 J 1/16W		C61-64			C93-1451-05	CHIP C 0.10UF K	
CP14			RK74HB1J473J	CHIP-COM 47K J 1/16W		C66			CK73FB1C105K	CHIP C 1.0UF K	
CP17			RK74GA1J101J	CHIP-COM 100 J 1/16W		C68,69			C93-1451-05	CHIP C 0.10UF K	
R10			RK73GB2A104J	CHIP R 100K J 1/10W		C71			C93-1451-05	CHIP C 0.10UF K	
R11			RK73GB2A4R7J	CHIP R 4.7 J 1/10W		C72			CK73FB0J106K	CHIP C 10UF K	
R13			RK73GB2A101J	CHIP R 100 J 1/10W		C87,88			CK73GB1H222K	CHIP C 2200PF K	
R15			RK73GB2A101J	CHIP R 100 J 1/10W		C89-91			C93-1451-05	CHIP C 0.10UF K	
R20			RK73GB2A101J	CHIP R 100 J 1/10W		C94,95			CK73GB1A105K	CHIP C 1.0UF K	
R21			RK73GB2A104J	CHIP R 100K J 1/10W		C96			CK73GB1H103K	CHIP C 0.010UF K	
R51-54			RK73FB2B621J	CHIP R 620 J 1/8W	K1M1	C97			C93-1451-05	CHIP C 0.10UF K	
R51-55			RK73FB2B471J	CHIP R 470 J 1/8W	E1E4	C100,101			CK73GB1A105K	CHIP C 1.0UF K	
R51-55			RK73FB2B511J	CHIP R 510 J 1/8W	E3E6	C102			CK73FB1A225K	CHIP C 2.2UF K	
R51-55			RK73FB2B621J	CHIP R 620 J 1/8W	E2E5	C103			CK73GB1H153K	CHIP C 0.015UF K	
R55			RK73FB2B241J	CHIP R 240 J 1/8W	K1M1	CN1			E41-2612-05	FLAT CABLE CONNECTOR	
R56			RK73EB2E751J	CHIP R 750 J 1/4W	E3E6	CN2			E41-2083-15	FLAT CABLE CONNECTOR	
R60			RK73EB2E241J	CHIP R 240 J 1/4W	K1M1	X1			L78-1221-05	RESONATOR (16.93MHZ)	
R60			RK73EB2E471J	CHIP R 470 J 1/4W	E1E4	CP7			RK74GB1J103J	CHIP-COM 10K J 1/16W	
R60			RK73EB2E621J	CHIP R 620 J 1/4W	E2E5	R20			RK73GB2A393J	CHIP R 39K J 1/10W	
R60			RK73EB2E751J	CHIP R 750 J 1/4W	E3E6	R21			RK73GB2A163J	CHIP R 16K J 1/10W	
R74		*	RK73PB2H7R5J	CHIP R 7.5 J 1/2W		R22			RK73GB2A562J	CHIP R 5.6K J 1/10W	
R112			RK73GB2A104J	CHIP R 100K J 1/10W		R23			RK73GB2A273J	CHIP R 27K J 1/10W	
R113			RK73EB2E102J	CHIP R 1.0K J 1/4W		R25			RK73GB2A562J	CHIP R 5.6K J 1/10W	
S1		*	S70-0947-05	TACT SWITCH		R26			RK73GB2A683J	CHIP R 68K J 1/10W	
ED1		*	3-BT-259INK	FLUORESCENT INDICATOR TUBE		R27			RK73GB2A333J	CHIP R 33K J 1/10W	
IC2			PIC95603	ANALOGUE IC		R28			RK73GB2A563J	CHIP R 56K J 1/10W	
Q20			RT1N441U	TRANSISTOR		R29			RK73GB2A102J	CHIP R 1.0K J 1/10W	
Q22-24			DTA123JUA	DIGITAL TRANSISTOR		R30			RK73GB2A101J	CHIP R 100 J 1/10W	
CD PLAYER UNIT (X32-5970-02) IN CD MECHA						R31			RK73GB2A133J	CHIP R 13K J 1/10W	
C20			CC73GCH1H680J	CHIP C 68PF J		R32			RK73GB2A181J	CHIP R 180 J 1/10W	
C21			CK73GB1H472K	CHIP C 4700PF K		R33			RK73GB2A153J	CHIP R 15K J 1/10W	
C22			CK73GB1H222K	CHIP C 2200PF K		R34			RK73GB2A473J	CHIP R 47K J 1/10W	
C23			CC73GCH1H220J	CHIP C 22PF J		R35			RK73GB2A562J	CHIP R 5.6K J 1/10W	
C24			CK73FB1A225K	CHIP C 2.2UF K		R36			RK73GB2A154J	CHIP R 150K J 1/10W	
C25			CK73GB1A105K	CHIP C 1.0UF K		R37			RK73GB2A334J	CHIP R 330K J 1/10W	
C26			CK73GB1H153K	CHIP C 0.015UF K		R38			RK73GB2A223J	CHIP R 22K J 1/10W	
C27			CC73GCH1H470J	CHIP C 47PF J		R40			RK73GB2A273J	CHIP R 27K J 1/10W	
C30-32			CK73GB1H103K	CHIP C 0.010UF K		R41			RK73GB2A393J	CHIP R 39K J 1/10W	
C33			CK73GB1H332K	CHIP C 3300PF K		R45			RK73GB2A221J	CHIP R 220 J 1/10W	
C34			C93-1451-05	CHIP C 0.10UF K		R46			RK73GB2A105J	CHIP R 1.0M J 1/10W	
C35			CK73GB1H153K	CHIP C 0.015UF K		R48,49			RK73GB2A105J	CHIP R 1.0M J 1/10W	
C36			C93-1451-05	CHIP C 0.10UF K		R50			RK73GB2A560J	CHIP R 56 J 1/10W	
C38			CC73GCH1H680J	CHIP C 68PF J		R51			RK73EB2E220J	CHIP R 22 J 1/4W	
C39			C93-1451-05	CHIP C 0.10UF K		R52			RK73EB2E100J	CHIP R 10 J 1/4W	
C41			CK73GB1A105K	CHIP C 1.0UF K		R55			RK73GB2A103J	CHIP R 10K J 1/10W	
C44			C93-1451-05	CHIP C 0.10UF K		R59			RK73GB2A4R7J	CHIP R 4.7 J 1/10W	
C45,46			CK73GB1H222K	CHIP C 2200PF K		R60,61			RK73GB2A103J	CHIP R 10K J 1/10W	
C47,48			CK73GB1H333K	CHIP C 0.033UF K		R82,83			RK73GB2A102J	CHIP R 1.0K J 1/10W	
C49,50			C93-1451-05	CHIP C 0.10UF K		R216,217			RK73GB2A103J	CHIP R 10K J 1/10W	
C51			CK73GB1H222K	CHIP C 2200PF K		R219,220			RK73GB2A472J	CHIP R 4.7K J 1/10W	
C52,53			C93-1451-05	CHIP C 0.10UF K		R221,222			RK73GB2A101J	CHIP R 100 J 1/10W	
C54			CK73GB1A105K	CHIP C 1.0UF K		R223			RK73GB2A103J	CHIP R 10K J 1/10W	
C58			CK73EB1E105K	CHIP C 1.0UF K		R226-230			RK73GB2A101J	CHIP R 100 J 1/10W	
C60			CK73EB0J226K	CHIP C 22UF K		R231			RK73GB2A473J	CHIP R 47K J 1/10W	

K1 : KDC-MP338 M1 : KDC-MP4039 E1 : KDC-W4041W E2 : KDC-W4041A
E3 : KDC-W4041G E4 : KDC-W4141WY E5 : KDC-W4141AY E6 : KDC-W4141GY

△ Indicates safety critical components.

PARTS LIST

CD PLAYER UNIT (X32-5970-02) IN CD MECHA

Ref. No.	A d d	N e w	Parts No.	Description	Desti- nation	Ref. No.	A d d	N e w	Parts No.	Description	Desti- nation
R232			RK73GB2A104J	CHIP R 100K J 1/10W		C512			CK73GB1C104K	CHIP C 0.10UF K	E1E2E3
R233			RK73GB2A331J	CHIP R 330 J 1/10W		C512			CK73GB1C104K	CHIP C 0.10UF K	E4E5E6
R239			RK73GB2A472J	CHIP R 4.7K J 1/10W		C513			CD04AB1V100M	ELECTRO 10UF 35WV	E1E2E3
R240			RK73EB2E470J	CHIP R 47 J 1/4W		C513			CD04AB1V100M	ELECTRO 10UF 35WV	E4E5E6
R241			RK73GB2A104J	CHIP R 100K J 1/10W		C514			CC73GCH1H331J	CHIP C 330PF J	E1E2E3
R243			RK73GB2A472J	CHIP R 4.7K J 1/10W		C514			CC73GCH1H331J	CHIP C 330PF J	E4E5E6
R244			RK73GB2A225J	CHIP R 2.2M J 1/10W		C515,516			CC73GCH1H270J	CHIP C 27PF J	E1E2E3
R246			RK73GB2A333J	CHIP R 33K J 1/10W		C515,516			CC73GCH1H270J	CHIP C 27PF J	E4E5E6
R247			RK73GB2A183J	CHIP R 18K J 1/10W		C517			CC73GCH1H561J	CHIP C 560PF J	E1E2E3
R248			RK73GB2A472J	CHIP R 4.7K J 1/10W		C517			CC73GCH1H561J	CHIP C 560PF J	E4E5E6
R252			RK73GB2A102J	CHIP R 1.0K J 1/10W		C601,602			CK73GB1C104K	CHIP C 0.10UF K	
S1,2			S68-0863-05	PUSH SWITCH		C603			CD04AC0J470M	ELECTRO 47UF 6.3WV	
S3			S68-0862-05	PUSH SWITCH		C701,702			CD04AB1V100M	ELECTRO 10UF 35WV	
D1			DA204U	DIODE		C703,704			CC73GCH1H681J	CHIP C 680PF J	E1E2E3
D2			DAP202U	DIODE		C703,704			CC73GCH1H681J	CHIP C 680PF J	E4E5E6
D3,4			DA204U	DIODE		C705,706			CD04AB1V100M	ELECTRO 10UF 35WV	K1M1
IC3			BA5824FP	ANALOGUE IC		C801-804			CK73GB1A224K	CHIP C 0.22UF K	
IC4			TC94A70FG-007	MOS-IC		C805			CD04AB1C330M	ELECTRO 33UF 16WV	
IC5			S-1132B15U5T1G	ANALOGUE IC		C806			CK73GB1A105K	CHIP C 1.0UF K	
IC6			S-1132B33U5T1G	ANALOGUE IC		C807			CK73GB0J105K	CHIP C 1.0UF K	
IC11			XC6206P152MR	ANALOGUE IC		C809			CK73GB0J105K	CHIP C 1.0UF K	
Q1			2SB0970	TRANSISTOR		C901-908			CK73GB1H472K	CHIP C 4700PF K	E1E2E3
Q10-12			UM6K1N	DUAL FET		C901-908			CK73GB1H472K	CHIP C 4700PF K	E4E5E6
Q13			DTC114YUA	DIGITAL TRANSISTOR		C990			CK73GB1E223K	CHIP C 0.022UF K	
ELECTRIC UNIT (X34-581x-xx)											
C1			CD04AZ1C332M2	ELECTRO 3300UF 16WV		CN2			E41-1822-05	FLAT CABLE CONNECTOR	
C2			CD04AB1C220M	ELECTRO 22UF 16WV		CN4			E40-6526-05	PIN ASSY	K1M1
C3			CK73GB1H104K	CHIP C 0.10UF K	E1E2E3	J1			E58-0991-05	RECTANGULAR RECEPTACLE	
C3			CK73GB1H104K	CHIP C 0.10UF K	E4E5E6	J2			E04-0334-05	RF COAXIAL CABLE RECEPTACLE	
C3,4			CK73GB1H104K	CHIP C 0.10UF K	K1M1	J3			E58-1060-15	RECTANGULAR RECEPTACLE	
C5			CD04AR1C221M	ELECTRO 220UF 16WV		J4			E56-0855-05	CYLINDRICAL RECEPTACLE	
C7			CD04AB0J101M	ELECTRO 100UF 6.3WV		J5			E63-0941-05	PIN JACK	
C9			CK73GB1C104K	CHIP C 0.10UF K		WH1	2D	*	E30-6781-05	WIRING HARNESS	E1E2E3
C11			CK73FB1A225K	CHIP C 2.2UF K		WH1	2D	*	E30-6781-05	WIRING HARNESS	E4E5E6
C12			CK73GB1C104K	CHIP C 0.10UF K		L1			L33-2319-05	CHOKE COIL ASSY	
C14			CK73GB1C104K	CHIP C 0.10UF K		L401			L40-4791-58	SMALL FIXED INDUCTOR	
C15			CD04AB1C220M	ELECTRO 22UF 16WV		X1			L78-0879-05	RESONATOR (10.0MHZ)	
C16			CK73GB1H103K	CHIP C 0.010UF K	E1E2E3	X2			L77-2920-05	CRYSTAL RESONATOR	E1E2E3
C16			CK73GB1H103K	CHIP C 0.010UF K	E4E5E6	X3			L77-2002-05	CRYSTAL RESONATOR	E1E2E3
C17,18			CK73GB1C104K	CHIP C 0.10UF K		X3			L77-2002-05	CRYSTAL RESONATOR	E4E5E6
C101,102			CK73GB1H103K	CHIP C 0.010UF K		F	2D		N80-3010-48	PAN HEAD TAPTITE SCREW	
C202			CC73GCH1H180J	CHIP C 18PF J		G	2D		N83-3005-48	PAN HEAD TAPTITE SCREW	
C203			CC73GCH1H220J	CHIP C 22PF J		H	2D		N83-3016-48	PAN HEAD TAPTITE SCREW	
C204			CK73GB1C104K	CHIP C 0.10UF K		J	3D		N86-2606-48	BINDING HEAD TAPTITE SCREW	
C205			CK73GB1H102K	CHIP C 1000PF K		L	2D		N89-3010-48	BINDING HEAD TAPTITE SCREW	
C301,302			CD04AB1HR47M	ELECTRO 0.47UF 50WV		R1			RD14BB2C102J	RD 1.0K J 1/6W	
C306,307			CK73GB1C104K	CHIP C 0.10UF K		R2-5			RD14BB2C103J	RD 10K J 1/6W	
C308			CD04AB0J470M	ELECTRO 47UF 6.3WV		R12-14			RK73PB2H100J	CHIP R 10 J 1/2W	
C310,311			CK73GB1H102K	CHIP C 1000PF K		R15			RD14DB2H100J	SMALL-RD 10 J 1/2W	
C401			CD04AB1C470M	ELECTRO 47UF 16WV		R16			RK73FB2B681J	CHIP R 680 J 1/8W	
C403			CD04AB1H010M	ELECTRO 1.0UF 50WV		R17			RK73GB2A272J	CHIP R 2.7K J 1/10W	
C404-407			CK73GB1A105K	CHIP C 1.0UF K		R18			RK73GB2A473J	CHIP R 47K J 1/10W	
C509,510			CK73GB1C104K	CHIP C 0.10UF K		R101,102			RD14BB2C472J	RD 4.7K J 1/6W	
						R103			RD14BB2C103J	RD 10K J 1/6W	
						R104			RK73GB2A473J	CHIP R 47K J 1/10W	

K1 : KDC-MP338 M1 : KDC-MP4039 E1 : KDC-W4041W E2 : KDC-W4041A
E3 : KDC-W4041G E4 : KDC-W4141WY E5 : KDC-W4141AY E6 : KDC-W4141GY

△Indicates safety critical components.

PARTS LIST

ELECTRIC UNIT (X34-581x-xx)

Ref. No.	Add	New	Parts No.	Description	Destination	Ref. No.	Add	New	Parts No.	Description	Destination
R105			RK73GB2A104J	CHIP R 100K J 1/10W		R341			RD14BB2C222J	RD 2.2K J 1/6W	
R106			RD14BB2C332J	RD 3.3K J 1/6W		R342			RK73GB2A392J	CHIP R 3.9K J 1/10W	
R107			RD14BB2C333J	RD 33K J 1/6W		R343			RD14BB2C102J	RD 1.0K J 1/6W	
R108			RK73GB2A103J	CHIP R 10K J 1/10W		R344,345			RD14BB2C4R7J	RD 4.7 J 1/6W	
R109			RD14BB2C223J	RD 22K J 1/6W		R346			RD14BB2C2R2J	RD 2.2 J 1/6W	
R110			RK73FB2B683J	CHIP R 68K J 1/8W		R347			RK73GB2A102J	CHIP R 1.0K J 1/10W	
R111			RK73GB2A473J	CHIP R 47K J 1/10W		R348,349			RK73GB2A103J	CHIP R 10K J 1/10W	
R112			RD14BB2C203J	RD 20K J 1/6W		R350,351			RK73GB2A473J	CHIP R 47K J 1/10W	
R113			RK73GB2A104J	CHIP R 100K J 1/10W		R352,353			RD14BB2C100J	RD 10 J 1/6W	
R114,115			RK73GB2A103J	CHIP R 10K J 1/10W		R401			RK73GB2A103J	CHIP R 10K J 1/10W	
R116,117			RD14BB2C103J	RD 10K J 1/6W		R402,403			RD14BB2C471J	RD 470 J 1/6W	
R201			RK73GB2A473J	CHIP R 47K J 1/10W		R501			RK73GB2A471J	CHIP R 470 J 1/10W	
R202			RK73GB2A104J	CHIP R 100K J 1/10W		R502			RD14BB2C472J	RD 4.7K J 1/6W	
R203,204			RK73GB2A103J	CHIP R 10K J 1/10W		R503			RK73GB2A471J	CHIP R 470 J 1/10W	
R205-207			RK73GB2A473J	CHIP R 47K J 1/10W		R504			RD14BB2C472J	RD 4.7K J 1/6W	
R208			RD14BB2C473J	RD 47K J 1/6W		R506,507			RK73GB2A222J	CHIP R 2.2K J 1/10W	E1E2E3
R209,210			RD14BB2C471J	RD 470 J 1/6W		R506,507			RK73GB2A222J	CHIP R 2.2K J 1/10W	E4E5E6
R218			RK73GB2A223J	CHIP R 22K J 1/10W		R508			RD14BB2C222J	RD 2.2K J 1/6W	E1E2E3
R219,220			RD14BB2C104J	RD 100K J 1/6W		R508			RD14BB2C222J	RD 2.2K J 1/6W	E4E5E6
R221			RK73GB2A222J	CHIP R 2.2K J 1/10W	E1E2E3	R509			RK73GB2A512J	CHIP R 5.1K J 1/10W	E1E2E3
R221			RK73GB2A222J	CHIP R 2.2K J 1/10W	E4E5E6	R509			RK73GB2A512J	CHIP R 5.1K J 1/10W	E4E5E6
R223			RK73GB2A222J	CHIP R 2.2K J 1/10W		R510			RK73GB2A102J	CHIP R 1.0K J 1/10W	E1E2E3
R226			RK73GB2A473J	CHIP R 47K J 1/10W	K1E4E5	R510			RK73GB2A102J	CHIP R 1.0K J 1/10W	E4E5E6
R226			RK73GB2A473J	CHIP R 47K J 1/10W	E6	R599			RK73GB2A102J	CHIP R 1.0K J 1/10W	
R226-228			RK73GB2A473J	CHIP R 47K J 1/10W	E1E2E3	R601,602			RD14BB2C100J	RD 10 J 1/6W	
R226,227			RK73GB2A473J	CHIP R 47K J 1/10W	M1	R603			RD14BB2C4R7J	RD 4.7 J 1/6W	
R227			RK73GB2A223J	CHIP R 22K J 1/10W	E4E5E6	R604			RK73GB2A102J	CHIP R 1.0K J 1/10W	
R228			RK73GB2A223J	CHIP R 22K J 1/10W	M1	R605			RD14BB2C101J	RD 100 J 1/6W	
R228			RK73GB2A473J	CHIP R 47K J 1/10W	K1E4E5	R606,607			RD14BB2C102J	RD 1.0K J 1/6W	
R228			RK73GB2A473J	CHIP R 47K J 1/10W	E6	R608,609			RD14BB2C101J	RD 100 J 1/6W	
R229			RK73GB2A104J	CHIP R 100K J 1/10W		R610			RD14BB2C472J	RD 4.7K J 1/6W	
R301			RK73GB2A222J	CHIP R 2.2K J 1/10W		R611			RD14BB2C101J	RD 100 J 1/6W	
R302			RD14BB2C101J	RD 100 J 1/6W		R612			RD14BB2C472J	RD 4.7K J 1/6W	
R303			RK73GB2A102J	CHIP R 1.0K J 1/10W		R613,614			RK73GB2A100J	CHIP R 10 J 1/10W	
R304			RD14BB2C102J	RD 1.0K J 1/6W		R615			RK73GB2A4R7J	CHIP R 4.7 J 1/10W	
R305			RK73GB2A102J	CHIP R 1.0K J 1/10W		R701,702			RK73GB2A331J	CHIP R 330 J 1/10W	
R306			RK73GB2A472J	CHIP R 4.7K J 1/10W		R703,704			RD14BB2C223J	RD 22K J 1/6W	
R307			RK73GB2A222J	CHIP R 2.2K J 1/10W		R705,706			RD14BB2C181J	RD 180 J 1/6W	
R310-313			RK73GB2A102J	CHIP R 1.0K J 1/10W		R707,708			RK73GB2A331J	CHIP R 330 J 1/10W	K1M1
R314			RK73GB2A104J	CHIP R 100K J 1/10W		R709,710			RD14BB2C223J	RD 22K J 1/6W	K1M1
R315			RK73GB2A472J	CHIP R 4.7K J 1/10W		R711,712			RD14BB2C181J	RD 180 J 1/6W	K1M1
R316,317			RK73GB2A222J	CHIP R 2.2K J 1/10W		R801			RK73GB2A332J	CHIP R 3.3K J 1/10W	
R318			RK73GB2A472J	CHIP R 4.7K J 1/10W		R802			RK73GB2A333J	CHIP R 33K J 1/10W	
R319			RK73GB2A222J	CHIP R 2.2K J 1/10W		R803			RK73GB2A473J	CHIP R 47K J 1/10W	
R320			RK73GB2A472J	CHIP R 4.7K J 1/10W		R804			RK73GB2A331J	CHIP R 330 J 1/10W	
R321			RK73GB2A473J	CHIP R 47K J 1/10W		R805			RK73GB2A223J	CHIP R 22K J 1/10W	
R322			RK73GB2A471J	CHIP R 470 J 1/10W		R806			RK73GB2A103J	CHIP R 10K J 1/10W	
R329			RD14BB2C102J	RD 1.0K J 1/6W	E1E2E3	R808			RK73GB2A100J	CHIP R 10 J 1/10W	
R329			RD14BB2C102J	RD 1.0K J 1/6W	E4E5E6	R894			RK73EB2E000J	CHIP R 0.0 J 1/4W	
R330			RD14BB2C101J	RD 100 J 1/6W		R953			RK73GB2A000J	CHIP R 0.0 J 1/10W	K1M1
R331			RK73GB2A392J	CHIP R 3.9K J 1/10W		R954			RK73GB2A000J	CHIP R 0.0 J 1/10W	E1E2E3
R332			RD14BB2C101J	RD 100 J 1/6W		R954			RK73GB2A000J	CHIP R 0.0 J 1/10W	E4E5E6
R333,334			RD14BB2C102J	RD 1.0K J 1/6W		R958			RK73GB2A000J	CHIP R 0.0 J 1/10W	
R336-339			RD14BB2C222J	RD 2.2K J 1/6W		R962			RK73GB2A000J	CHIP R 0.0 J 1/10W	
R340			RK73GB2A225J	CHIP R 2.2M J 1/10W		R971			RK73GB2A000J	CHIP R 0.0 J 1/10W	

K1 : KDC-MP338 M1 : KDC-MP4039 E1 : KDC-W4041W E2 : KDC-W4041A
E3 : KDC-W4041G E4 : KDC-W4141WY E5 : KDC-W4141AY E6 : KDC-W4141GY

△ Indicates safety critical components.

PARTS LIST

ELECTRIC UNIT (X34-581x-xx)

Ref. No.	A d d	N e w	Parts No.	Description	Desti- nation
D1			S2V60-5009F46	DIODE	K1M1
D2			MTZJ8.2(B)	ZENER DIODE	
D3			D1F60-5063	DIODE	
D4,5			1SS133	DIODE	
D7			MTZJ12(B)	ZENER DIODE	
D101,102			D1F60-5063	DIODE	
D103			1SR139-400T64	DIODE	
D104			D1F60-5063	DIODE	K1M1
D105			MTZJ4.7(B)	ZENER DIODE	
D106-108			MTZJ6.8(B)	ZENER DIODE	
D110			BAV70W	DIODE	E1E2E3 E4E5E6
D303			MTZJ6.2(B)	ZENER DIODE	
D303			MTZJ6.2(B)	ZENER DIODE	
D304-306			MTZJ6.8(B)	ZENER DIODE	
D401			1SS133	DIODE	
D601-606			MTZJ6.8(B)	ZENER DIODE	K1M1
D801			1SS133	DIODE	
D803			1SS133	DIODE	E1E2E3
IC1		*	30622MGPB60FP	MICROCONTROLLER IC	
IC1		*	30622MGPB61FP	MICROCONTROLLER IC	
IC1		*	30622MGPB61FP	MICROCONTROLLER IC	E4E5E6
IC2			E-TDA7719	ANALOGUE IC	E1E2E3
IC4			BD4913-V4	ANALOGUE IC	
IC6		*	KKZ12Z	ANALOGUE IC	
IC7			LC72725KV	ANALOGUE IC	
IC7			LC72725KV	ANALOGUE IC	E4E5E6
IC8			XC6120N362N1	MOS-IC	K1M1
Q2			KTA1046-P	TRANSISTOR	
Q3			2SC4081	TRANSISTOR	
Q7			DTC124EUA	DIGITAL TRANSISTOR	
Q8			KTA1046-P	TRANSISTOR	K1M1
Q9			2SC4081	TRANSISTOR	
Q10			DTA124EUA	DIGITAL TRANSISTOR	
Q11			DTC124EUA	DIGITAL TRANSISTOR	
Q12			DTA124EUA	DIGITAL TRANSISTOR	
Q13			DTC124EUA	DIGITAL TRANSISTOR	K1M1
Q14			DTA124EUA	DIGITAL TRANSISTOR	K1M1
Q101-103			2SC4081	TRANSISTOR	K1M1 E1E2E3 E4E5E6
Q104,105			DTC144EUA	DIGITAL TRANSISTOR	
Q301			DTA114YUA	DIGITAL TRANSISTOR	
Q701-704			DTC143TUA	DIGITAL TRANSISTOR	
Q701,702			DTC143TUA	DIGITAL TRANSISTOR	K1M1 E1E2E3 E4E5E6
Q701,702			DTC143TUA	DIGITAL TRANSISTOR	
Q705			DTA124EUA	DIGITAL TRANSISTOR	
Q801			RT1N144M	TRANSISTOR	
TH1			PRF18BE471QS2	POSITIVE RESISTOR	K1M1 E1E2E3 E4E5E6
A1	2D	*	X86-4160-11	FRONT-END UNIT	
A1	2D		X86-4162-70	FRONT-END UNIT	
A1	2D		X86-4162-70	FRONT-END UNIT	
MECHANISM ASSY (X92-5880-06) DXM-6E06W					
1	2B		A10-5328-31	CHASSIS	
2	1B		A10-5329-11	CHASSIS	
5	2B		D10-4910-13	ARM ASSY	

Ref. No.	A d d	N e w	Parts No.	Description	Desti- nation
8	2A		D10-4911-23	LEVER ASSY	
10	2A		D10-4906-33	ARM	
11	2A		D10-4907-33	ARM	
12	3A		D10-4908-03	ARM	
13	3A		D10-4909-03	ARM	
14	3B		D10-4915-03	ARM	
15	2A		D10-4916-23	SLIDER	
16	3B		D10-4914-22	SLIDER	
17	2B		D10-4588-13	SLIDER	
18	2B		D10-4917-04	ARM	
19	2B		D10-4596-24	ARM	
22	2A		D13-2151-04	GEAR	
23	2B		D13-2152-04	GEAR	
24	3B		D13-2153-04	GEAR	
25	3B		D13-2154-04	GEAR	
26	3B		D13-2155-04	WORM	
27	2B		D13-2156-14	GEAR	
28	3B		D13-2157-04	GEAR	
29	2B		D13-2158-04	GEAR	
30	2B		D13-2168-04	GEAR	
31	3B		D13-2171-04	GEAR	
32	1B		D13-2400-13	RACK (GEAR)	
33	2A		D14-0759-04	ROLLER	
35	2B		D21-2382-04	SHAFT	
36	1A		D23-0954-04	RETAINER	
37	1B	*	D39-0271-05	DAMPER	
38	2B		G01-3072-04	EXTENSION SPRING	
39	2A		G01-3073-04	TORSION COIL SPRING	
40	2A		G01-3074-04	EXTENSION SPRING	
41	1B		G01-4615-04	EXTENSION SPRING	
42	2A		G01-3076-04	EXTENSION SPRING	
43	1B		G01-3077-14	EXTENSION SPRING	
44	2B		G02-1399-14	FLAT SPRING	
45	2B		G02-1547-14	FLAT SPRING	
51	1A		J22-0473-21	MOUNTING HARDWARE	
52	3B		J22-0474-12	MOUNTING HARDWARE	
53	1B		J22-0519-13	MOUNTING HARDWARE	
55	1A		J90-1138-41	GUIDE	
56	1B		J90-1023-03	GUIDE	
DPC1	3A		J86-0039-05	FPC (LEAD FREE)	
A	2B		N09-4460-15	TAPTITE SCREW (PT2X8)	
B	1B		N09-6317-05	TAPTITE SCREW (1.6X6.0)	
C	2B		N09-6004-15	MACHINE SCREW (M1.7X2.5)	
E	2B		N09-6007-15	MACHINE SCREW (M2X2)	
F	1A		N09-6051-15	TAPTITE SCREW (PT2X5)	
G	2A		N19-2163-04	FLAT WASHER (1.6X6X0.25)	
H	1B		N39-2020-48	PAN HEAD MACHINE SCREW (M2X2)	
J	1B		N09-6108-15	TAPTITE SCREW (M2X3.5)	
K	3B		N09-6155-15	SEMS (TAPTITE SCREW) (PT2X6)	
DM1	3B		T42-1066-14	DC MOTOR (SPINDLE)	
DM2	2B		T42-1067-14	DC MOTOR (LOADING/SLED)	
DPU1	2B		X93-2130-01	OPTICAL PICKUP ASSY	

K1 : KDC-MP338 **M1** : KDC-MP4039 **E1** : KDC-W4041W **E2** : KDC-W4041A
E3 : KDC-W4041G **E4** : KDC-W4141WY **E5** : KDC-W4141AY **E6** : KDC-W4141GY

△Indicates safety critical components.