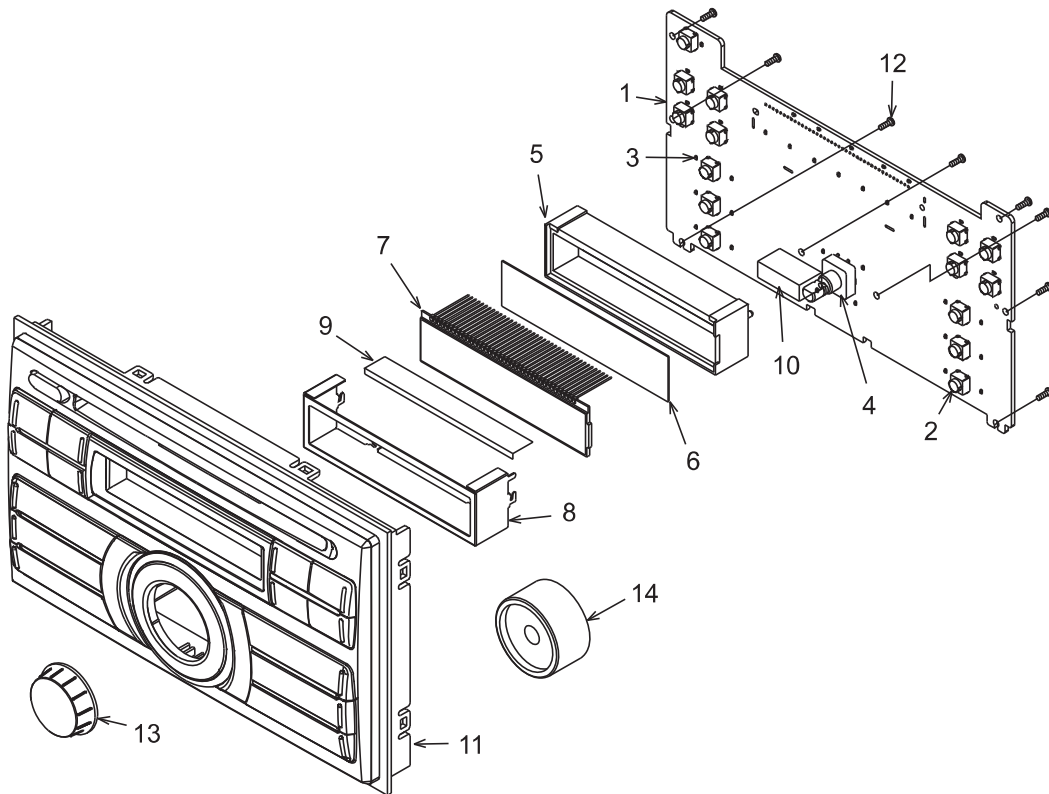


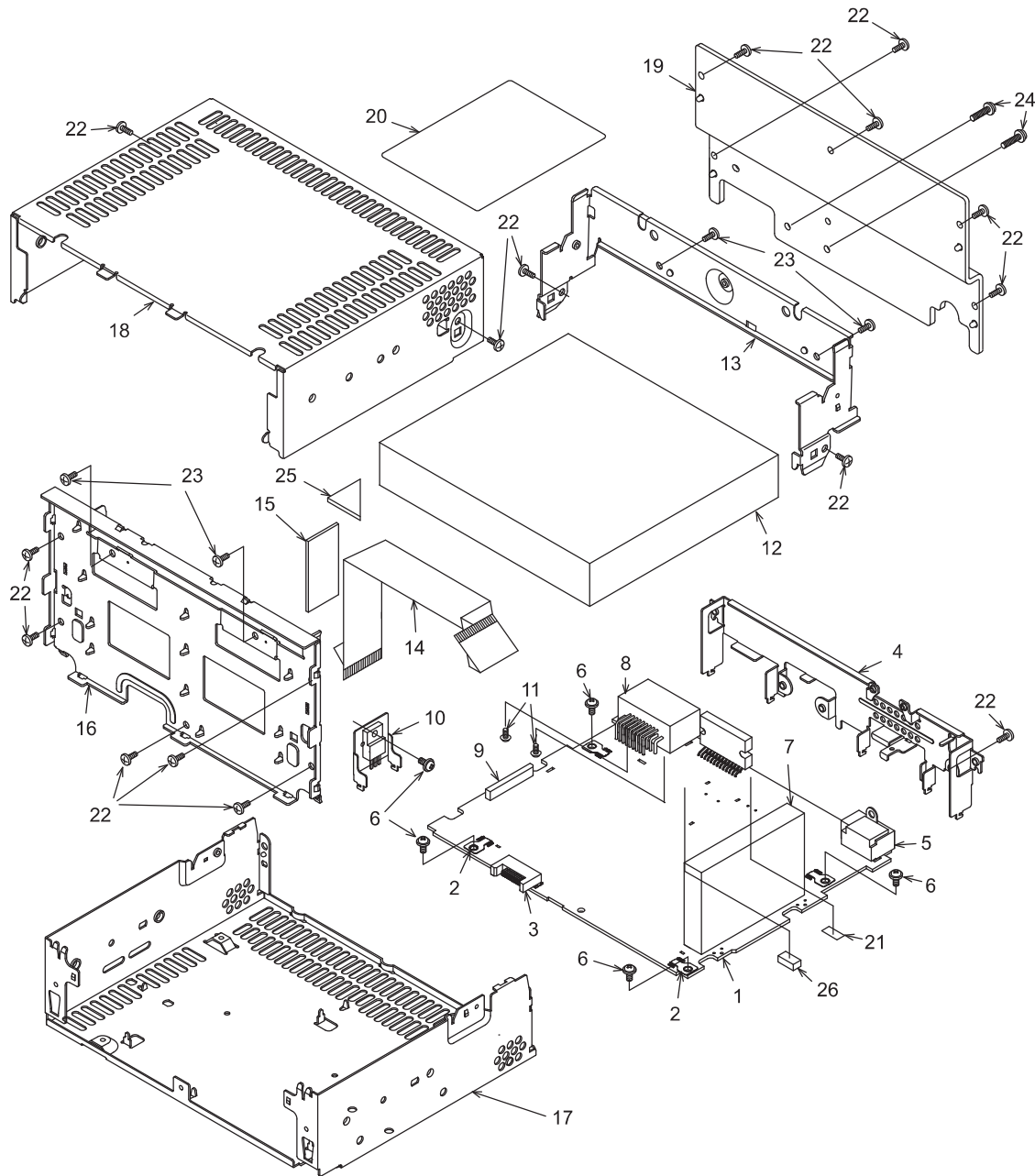
EXPLODED VIEW/PARTS LIST

Panel section



NO.	PART NO.	DESCRIPTION	Q'TY	NO.	PART NO.	DESCRIPTION	Q'TY
1	-----	SWITCH PWB	1	8	331-4048-00	LCD-CVR	1
2	013-6201-53	TACT SWITCH	15	9	345-5877-00	PROTECTOR	1
3	001-7093-91	LED YELLOW	32	10	074-3014-64	OUTLET SOCKET	1
4	016-0026-00	ROTARY ENCODER	1	11	940-8188-00	ESCUTCHEON-ASSY	1
5	335-7532-30	LCD HOLDER	1	12	716-0778-50	WAVE SCREW(M2x6)	8
6	335-7770-00	COLOR FILTER	1	13	380-5689-00	KNOB	1
7	379-1396-30	INDICATOR	1	14	335-7959-00	ILLUMI PLATE	1

Main section



NO.	PART NO.	DESCRIPTION	Q'TY
1	-----	MAIN PWB	1
2	073-0768-90	TERMINAL	4
3	076-3011-64	14P PLUG	1
4	331-4040-00	REAR PLATE	1
5	092-2210-01	ANT-RECEPT	1
6	716-0878-50	SCREW(M2.6x5)	5
7	.880-1921C	TUNER BLOCK	1
8	074-4009-20	OUTLET SOCKET	1
9	074-2003-76	OUTLET SOCKET	1
10	331-3835-00	TR HOLDER	1
11	778-3006-00	TAP-SCREW(M3x5)	2
12	929-5021-80	CD MCHANISM	1
13	331-4038-00	MECH-BRKT	1
14	816-4022-50	FLAT WIRE	1

NO.	PART NO.	DESCRIPTION	Q'TY
15	347-7400-00	WIRE SUPPORT	1
16	331-4039-01	ES-PLATE	1
17	311-1907-02	LOWER CASE	1
18	310-1814-00	UPPER CASE	1
19	313-1950-40	HEAT SINK	1
20	276-0850-03 276-0850-02 276-0850-01	SETPLATE(H-E) SETPLATE(H-D) SETPLATE(V-B)	1
21	347-8258-00	SPACER	1
22	714-2606-8B	MACHINE SCREW(M2.6x6)	15
23	714-2603-8H	MACHINE SCREW(M2.6x3)	4
24	735-2614-1B	D-SEMS SCREW	2
25	345-5802-00	CUSHION RUBBER	1
26	345-4220-10	RUBBER PART	1

ELECTRICAL PARTS LIST

Main PWB(B1) section : PP-2898V-B

REF No.	PART No.	DESCRIPTION	REF No.	PART No.	DESCRIPTION	REF No.	PART No.	DESCRIPTION
ANT101	092-2210-01	ANT-RECEPT	C172	166-1007-50	10pF CH	C429	168-1042-78	16V 0.1uF K
C101	-----	(NU)	C201	166-1007-50	10pF CH	C430	168-6822-55	6800pF K
C102	-----	(NU)	C202	168-1042-78	16V 0.1uF K	C431	168-6822-55	6800pF K
C103	-----	(NU)	C203	168-1022-55	1000pF K	C432	168-6822-55	6800pF K
C104	-----	(NU)	C204	163-3363-45	25V 33uF	C433	168-6822-55	6800pF K
C105	-----	(NU)	C205	168-1022-55	1000pF K	C434	-----	(NU)
C106	-----	(NU)	C206	166-1011-50	100pF CH	C435	168-1042-78	16V 0.1uF K
C107	-----	(NU)	C207	166-1011-50	100pF CH	C436	168-1042-78	16V 0.1uF K
C108	119-0000-05	1/10W 0 ohm JW	C208	166-1011-50	100pF CH	C437	188-1063-38	16V 10uF
C109	-----	(NU)	C209	166-1011-50	100pF CH	C438	168-1042-78	16V 0.1uF K
C110	-----	(NU)	C210	-----	(NU)	C439	168-1042-78	16V 0.1uF K
C111	-----	(NU)	C211	-----	(NU)	C440	188-1053-68	50V 1uF
C112	-----	(NU)	C212	166-2201-50	22pF CH	C441	-----	(NU)
C113	168-1032-55	0.01uF K	C213	168-1042-78	16V 0.1uF K	C442	168-1022-55	1000pF K
C114	-----	(NU)	C215	168-1042-78	16V 0.1uF K	C443	168-1022-55	1000pF K
C115	-----	(NU)	C216	187-1073-27	10V 100uF	C444	178-1542-78	0.15uF
C116	-----	(NU)	C217	-----	(NU)	C445	178-8232-78	0.082uF
C117	-----	(NU)	C218	168-1052-78	16V 1uF K	C446	178-8232-78	0.082uF
C118	-----	(NU)	C219	168-1042-78	16V 0.1uF K	C447	178-8232-78	0.082uF
C119	-----	(NU)	C220	166-1007-50	10pF CH	C448	178-8232-78	0.082uF
C120	-----	(NU)	C221	-----	(NU)	C449	-----	(NU)
C121	166-1201-50	12pF CH	C222	-----	(NU)	C450	168-1042-78	16V 0.1uF K
C122	166-1007-50	10pF CH	C301	168-1052-78	16V 1uF K	C451	172-1041-11	0.1uF
C123	168-1042-78	16V 0.1uF K	C302	178-1242-78	0.12uF	C452	166-2201-50	22pF CH
C124	-----	(NU)	C303	178-1242-78	0.12uF	C453	166-2201-50	22pF CH
C125	-----	(NU)	C304	178-1242-78	0.12uF	C454	166-2201-50	22pF CH
C126	188-1073-28	10V 100uF	C305	178-1242-78	0.12uF	C455	166-2201-50	22pF CH
C127	166-2201-50	22pF CH	C306	168-1052-78	16V 1uF K	C501	188-1063-38	16V 10uF
C128	043-0277-81	22000pF	C307	188-2263-18	6.3V 22uF	C502	188-1063-38	16V 10uF
C129	168-1042-78	16V 0.1uF K	C308	178-4742-78	0.47uF	C503	188-1063-38	16V 10uF
C130	188-1073-28	10V 100uF	C309	168-1222-55	1200pF K	C504	188-1063-38	16V 10uF
C131	168-1022-55	1000pF K	C310	168-1222-55	1200pF K	C505	-----	(NU)
C132	166-2201-50	22pF CH	C311	178-4742-78	0.47uF	C506	-----	(NU)
C133	168-1042-78	16V 0.1uF K	C312	168-1052-78	16V 1uF K	C507	-----	(NU)
C134	042-1458-93	50V 2.2uF	C313	168-1052-78	16V 1uF K	C508	-----	(NU)
C135	168-8212-55	820pF K	C314	178-1842-78	0.18uF	C509	166-2201-50	22pF CH
C136	166-2201-50	22pF CH	C315	178-1842-78	0.18uF	C510	166-2201-50	22pF CH
C137	168-4712-55	470pF K	C316	178-1842-78	0.18uF	C511	-----	(NU)
C138	187-4763-37	16V 47uF	C317	178-1842-78	0.18uF	C512	-----	(NU)
C139	166-1011-50	100pF CH	C318	168-8212-55	820pF K	C513	166-2201-50	22pF CH
C140	-----	(NU)	C319	168-8212-55	820pF K	C514	166-2201-50	22pF CH
C141	166-1011-50	100pF CH	C320	168-8212-55	820pF K	C515	166-2201-50	22pF CH
C142	168-1042-78	16V 0.1uF K	C321	168-8212-55	820pF K	C516	166-2201-50	22pF CH
C143	188-1073-28	10V 100uF	C322	188-1063-38	16V 10uF	C517	-----	(NU)
C144	168-1052-78	16V 1uF K	C323	188-1063-38	16V 10uF	C518	-----	(NU)
C145	-----	(NU)	C324	168-1832-55	0.018uF K	C519	166-2201-50	22pF CH
C146	-----	(NU)	C401	188-4763-38	16V 47uF	C520	166-2201-50	22pF CH
C147	168-1022-55	1000pF K	C402	-----	(NU)	C521	043-0309-92	10V 0.68uF
C148	178-1042-78	0.1uF	C403	042-6000-91	10V 33uF	C522	178-3332-78	0.033uF
C150	188-3363-28	10V 33uF	C405	168-1042-78	16V 0.1uF K	C523	178-1042-78	0.1uF
C151	168-3932-78	0.039uF K	C407	168-1042-78	16V 0.1uF K	C524	178-4732-78	0.047uF
C152	168-1042-78	16V 0.1uF K	C408	042-1452-82	16V 100uF	C525	166-2201-50	22pF CH
C153	168-3932-78	0.039uF K	C409	168-4742-78	0.47uF K	C526	166-2201-50	22pF CH
C154	188-3353-68	50V 3.3uF	C410	168-1052-78	16V 1uF K	C527	166-2201-50	22pF CH
C155	168-2245-79	0.22uF Z	C411	-----	(NU)	C528	166-2201-50	22pF CH
C156	168-3332-78	0.033uF K	C412	-----	(NU)	C529	178-1042-78	0.1uF
C157	168-1032-55	0.01uF K	C413	178-6832-78	0.068uF	C530	178-4732-78	0.047uF
C158	168-6832-78	0.068uF K	C414	178-6832-78	0.068uF	C531	043-0309-92	10V 0.68uF
C159	168-2222-55	2200pF K	C415	178-6832-78	0.068uF	C532	178-3332-78	0.033uF
C160	168-3332-78	0.033uF K	C416	178-6832-78	0.068uF	C533	178-1842-78	0.18uF
C161	168-4722-55	4700pF K	C417	188-1063-38	16V 10uF	C534	178-1842-78	0.18uF
C162	168-3332-78	0.033uF K	C418	-----	(NU)	C535	-----	(NU)
C163	178-2255-79	2.2uF	C419	188-1063-38	16V 10uF	C536	178-1842-78	0.18uF
C164	168-3332-78	0.033uF K	C420	168-1042-78	16V 0.1uF K	C537	178-1242-78	0.12uF
C165	178-2255-79	2.2uF	C421	188-1063-38	16V 10uF	C538	178-1242-78	0.12uF
C166	168-5632-78	16V 0.056uF K	C422	172-1041-11	0.1uF	C539	-----	(NU)
C167	168-2232-55	0.022uF K	C423	189-3383-32	16V 3300uF	C540	178-8232-78	0.082uF
C168	168-1022-55	1000pF K	C425	168-6822-55	6800pF K	C541	166-2201-50	22pF CH
C169	168-8212-55	820pF K	C426	168-6822-55	6800pF K	C542	166-2201-50	22pF CH
C170	166-1007-50	10pF CH	C427	168-6822-55	6800pF K	C543	166-2201-50	22pF CH
C171	166-1007-50	10pF CH	C428	168-6822-55	6800pF K	C544	166-2201-50	22pF CH

REF No.	PART No.	DESCRIPTION	REF No.	PART No.	DESCRIPTION	REF No.	PART No.	DESCRIPTION
C545	166-2201-50	22pF CH	JW401	060-0054-03	JW 10mm	R137	119-2731-15	1/10W 27k ohm
C546	166-2201-50	22pF CH	JW402	060-0054-03	JW 10mm	R138	119-1231-15	1/10W 12k ohm
C547	166-2201-50	22pF CH	JW403	060-0054-03	JW 10mm	R139	119-1021-15	1/10W 1k ohm
C548	166-2201-50	22pF CH	L101	-----	(NU)	R140	119-1021-15	1/10W 1k ohm
C549	178-3332-78	0.033uF	L102	-----	(NU)	R141	119-1841-15	1/10W 180k ohm
C550	178-3332-78	0.033uF	L103	-----	(NU)	R142	119-2221-15	1/10W 2.2k ohm
C551	178-8222-78	8200pF	L104	010-2003-04	30uH	R143	119-1031-15	1/10W 10k ohm
C552	178-8222-78	8200pF	L105	010-3407-75	120uH J	R144	119-5621-15	1/10W 5.6k ohm
C553	178-2232-78	0.022uF	L201	010-6009-64	2.2uH J	R145	-----	(NU)
C554	178-2232-78	0.022uF	L401	009-0680-60	200uH	R146	119-1031-15	1/10W 10k ohm
C555	178-4732-78	0.047uF	Q101	-----	(NU)	R147	119-2221-15	1/10W 2.2k ohm
C556	178-4732-78	0.047uF	Q102	-----	(NU)	R148	119-1021-15	1/10W 1k ohm
C557	178-4732-78	0.047uF	Q103	-----	(NU)	R149	119-6821-15	1/10W 6.8k ohm
C558	178-4732-78	0.047uF	Q104	-----	(NU)	R201	119-1021-15	1/10W 1k ohm
C559	178-6832-78	0.068uF	Q105	192-4116-51	2SC4116 G,L	R202	119-1021-15	1/10W 1k ohm
C560	178-6832-78	0.068uF	Q106	192-4116-51	2SC4116 G,L	R203	119-1031-15	1/10W 10k ohm
C561	178-4732-78	0.047uF	Q107	-----	(NU)	R204	119-0000-05	1/10W 0 ohm JW
C562	178-6832-78	0.068uF	Q108	190-1162-00	2SA1162	R205	119-4731-15	1/10W 47k ohm
C563	166-2201-50	22pF CH	Q109	190-1162-00	2SA1162	R206	119-1031-15	1/10W 10k ohm
C564	166-2201-50	22pF CH	Q201	-----	(NU)	R207	119-4731-15	1/10W 47k ohm
C565	166-2201-50	22pF CH	Q204	-----	(NU)	R208	119-3311-15	1/10W 330 ohm
C566	166-2201-50	22pF CH	Q205	125-0002-92	RN2402	R209	119-3311-15	1/10W 330 ohm
C567	178-4732-78	0.047uF	Q401	193-2118-00	2SD2118F5	R210	119-4731-15	1/10W 47k ohm
C568	178-6832-78	0.068uF	Q402	191-1197-50	2SB1197K Q,R	R211	119-1031-15	1/10W 10k ohm
C569	-----	(NU)	Q403	125-2026-91	UNR5211G	R212	119-1031-15	1/10W 10k ohm
C570	-----	(NU)	Q404	125-0020-91	UNR5111	R213	119-1031-15	1/10W 10k ohm
C571	188-1063-38	16V 10uF	Q405	125-2026-91	UNR5211G	R214	119-4731-15	1/10W 47k ohm
C572	-----	(NU)	Q406	-----	(NU)	R215	119-4731-15	1/10W 47k ohm
C573	-----	(NU)	Q407	-----	(NU)	R216	-----	(NU)
CCT201	050-0145-52	1/16W 1k ohm x4	Q408	193-1858-00	2SD1858	R217	119-1031-15	1/10W 10k ohm
CCT202	050-0145-52	1/16W 1k ohm x4	Q409	125-9003-92	IMD3	R218	119-1031-15	1/10W 10k ohm
CCT203	050-0145-52	1/16W 1k ohm x4	Q410	103-2012-00	2SD2012	R219	119-4731-15	1/10W 47k ohm
CCT204	050-0145-52	1/16W 1k ohm x4	Q411	125-2026-91	UNR5211G	R220	119-2231-15	1/10W 22k ohm
CCT205	050-0145-52	1/16W 1k ohm x4	Q412	193-2118-00	2SD2118F5	R221	-----	(NU)
CCT206	050-0145-52	1/16W 1k ohm x4	Q414	193-1306-00	2SD1306	R222	119-1031-15	1/10W 10k ohm
CCT207	050-0145-52	1/16W 1k ohm x4	Q415	192-2712-00	2SC2712	R223	119-1041-15	1/10W 100k ohm
CCT208	050-0145-52	1/16W 1k ohm x4	Q416	192-2712-00	2SC2712	R224	119-1031-15	1/10W 10k ohm
CCT209	050-0145-52	1/16W 1k ohm x4	Q501	192-2712-00	2SC2712	R225	-----	(NU)
CCT211	050-0145-52	1/16W 1k ohm x4	R101	-----	(NU)	R226	119-4731-15	1/10W 47k ohm
CCT212	050-0145-52	1/16W 1k ohm x4	R102	-----	(NU)	R227	-----	(NU)
D101	-----	(NU)	R103	-----	(NU)	R228	119-1031-15	1/10W 10k ohm
D102	-----	(NU)	R104	-----	(NU)	R229	119-1021-15	1/10W 1k ohm
D103	-----	(NU)	R105	-----	(NU)	R230	119-1031-15	1/10W 10k ohm
D104	-----	(NU)	R106	119-0000-05	1/10W 0 ohm JW	R231	-----	(NU)
D201	-----	(NU)	R107	-----	(NU)	R232	-----	(NU)
D401	001-0529-48	MA8091-H	R108	-----	(NU)	R233	-----	(NU)
D402	001-0516-90	MA111	R109	-----	(NU)	R234	-----	(NU)
D403	001-2412-90	RR264M-400	R110	-----	(NU)	R235	119-1031-15	1/10W 10k ohm
D404	-----	(NU)	R111	-----	(NU)	R236	119-1041-15	1/10W 100k ohm
D405	001-0504-31	HZS6 A2L	R112	-----	(NU)	R237	119-4731-15	1/10W 47k ohm
D406	001-0504-45	HZS9 B1L	R113	-----	(NU)	R238	119-4731-15	1/10W 47k ohm
D407	001-2015-00	RL253	R114	-----	(NU)	R239	-----	(NU)
D408	001-0529-48	MA8091-H	R115	-----	(NU)	R240	119-2231-15	1/10W 22k ohm
D409	001-0529-34	MA8062-L	R116	-----	(NU)	R241	119-0000-05	1/10W 0 ohm JW
D410	001-0580-90	1SS352	R117	-----	(NU)	R242	119-3341-15	1/10W 330k ohm
D411	-----	(NU)	R118	-----	(NU)	R243	119-4731-15	1/10W 47k ohm
D412	-----	(NU)	R119	-----	(NU)	R244	119-4731-15	1/10W 47k ohm
D413	-----	(NU)	R120	119-4741-15	1/10W 470k ohm	R245	119-0000-05	1/10W 0 ohm JW
IC101	-----	(NU)	R121	119-2221-15	1/10W 2.2k ohm	R301	-----	(NU)
IC102	-----	(NU)	R122	119-2221-15	1/10W 2.2k ohm	R302	-----	(NU)
IC103	051-4618-90	HA12181FP-EL-E	R123	119-2721-15	1/10W 2.7k ohm	R309	119-1821-15	1/10W 1.8k ohm
IC201	052-1187-10	LC723663-9D49-E	R124	119-1021-15	1/10W 1k ohm	R310	119-3931-15	1/10W 39k ohm
IC301	051-5029-00	LC75412EH	R125	119-8201-15	1/10W 82 ohm	R311	119-3931-15	1/10W 39k ohm
IC401	051-3341-90	BD3931FP	R126	119-1021-15	1/10W 1k ohm	R312	119-1821-15	1/10W 1.8k ohm
IC402	051-2067-00	TB2946HQ	R127	119-1021-15	1/10W 1k ohm	R313	119-4721-15	1/10W 4.7k ohm
IC501	051-3019-90	NJM2060V	R128	-----	(NU)	R314	119-4721-15	1/10W 4.7k ohm
IC502	051-3019-90	NJM2060V	R129	-----	(NU)	R315	119-4721-15	1/10W 4.7k ohm
IC503	051-3019-90	NJM2060V	R130	119-0000-05	1/10W 0 ohm JW	R316	119-4721-15	1/10W 4.7k ohm
IC504	051-3019-90	NJM2060V	R131	-----	(NU)	R401	116-4711-15	1/4W 47k ohm
IC505	051-3019-90	NJM2060V	R132	119-1001-15	1/10W 10 ohm	R402	116-1821-15	1/4W 1.8k ohm
IC506	-----	(NU)	R133	119-1001-15	1/10W 10 ohm	R403	119-2231-15	1/10W 22k ohm
J201	074-2003-76	26P	R134	119-1501-15	1/10W 15 ohm	R404	119-4741-15	1/10W 470k ohm
J202	076-3011-64	14P	R135	119-1041-15	1/10W 100k ohm	R405	119-1231-15	1/10W 12k ohm
JW401	074-4009-20	20P	R136	119-4731-15	1/10W 47k ohm	R406	119-1021-15	1/10W 1k ohm

REF No.	PART No.	DESCRIPTION	REF No.	PART No.	DESCRIPTION	REF No.	PART No.	DESCRIPTION
R407	119-1031-15	1/10W 10k ohm	R513	119-4721-15	1/10W 4.7k ohm	R563	119-1541-15	1/10W 150k ohm
R408	119-2231-15	1/10W 22k ohm	R514	119-1031-15	1/10W 10k ohm	R564	119-1541-15	1/10W 150k ohm
R409	119-2231-15	1/10W 22k ohm	R515	119-1031-15	1/10W 10k ohm	R565	119-1511-15	1/10W 150 ohm
R410	119-2231-15	1/10W 22k ohm	R516	119-4721-15	1/10W 4.7k ohm	R566	119-1511-15	1/10W 150 ohm
R411	119-2231-15	1/10W 22k ohm	R517	-----	(NU)	R567	119-1511-15	1/10W 150 ohm
R412	-----	(NU)	R518	-----	(NU)	R568	119-1511-15	1/10W 150 ohm
R413	-----	(NU)	R519	-----	(NU)	R569	119-1521-15	1/10W 1.5k ohm
R414	-----	(NU)	R520	-----	(NU)	R570	119-1521-15	1/10W 1.5k ohm
R415	-----	(NU)	R521	119-4721-15	1/10W 4.7k ohm	R571	119-1821-15	1/10W 1.8k ohm
R416	-----	(NU)	R522	119-1031-15	1/10W 10k ohm	R572	119-1821-15	1/10W 1.8k ohm
R417	116-2211-15	1/4W 220 ohm	R523	119-1031-15	1/10W 10k ohm	R573	119-4731-15	1/10W 47k ohm
R418	119-1041-15	1/10W 100k ohm	R524	119-4721-15	1/10W 4.7k ohm	R574	119-4731-15	1/10W 47k ohm
R419	119-4731-15	1/10W 47k ohm	R525	119-2221-15	1/10W 2.2k ohm	R575	119-8221-15	1/10W 8.2k ohm
R420	116-3911-15	1/4W 390 ohm	R526	-----	(NU)	R576	119-8221-15	1/10W 8.2k ohm
R421	116-3911-15	1/4W 390 ohm	R527	-----	(NU)	R577	119-1031-15	1/10W 10k ohm
R422	119-1041-15	1/10W 100k ohm	R528	119-2221-15	1/10W 2.2k ohm	R578	119-1031-15	1/10W 10k ohm
R423	116-6811-15	1/4W 680 ohm	R529	119-2221-15	1/10W 2.2k ohm	R579	119-5131-15	1/10W 51k ohm
R424	-----	(NU)	R530	-----	(NU)	R580	119-5131-15	1/10W 51k ohm
R425	-----	(NU)	R531	-----	(NU)	R581	119-5131-15	1/10W 51k ohm
R426	116-2721-15	1/4W 2.7k ohm	R532	119-2221-15	1/10W 2.2k ohm	R582	119-5131-15	1/10W 51k ohm
R427	-----	(NU)	R533	-----	(NU)	R583	119-1031-15	1/10W 10k ohm
R428	119-5611-15	1/10W 560 ohm	R534	119-1221-15	1/10W 1.2k ohm	R584	119-1031-15	1/10W 10k ohm
R429	119-1031-15	1/10W 10k ohm	R535	119-1001-15	1/10W 10 ohm	R585	119-8221-15	1/10W 8.2k ohm
R430	116-1831-15	1/4W 18k ohm	R536	-----	(NU)	R586	119-8221-15	1/10W 8.2k ohm
R431	119-4721-15	1/10W 4.7k ohm	R537	119-5611-15	1/10W 560 ohm	R587	119-4731-15	1/10W 47k ohm
R432	119-5611-15	1/10W 560 ohm	R538	119-5611-15	1/10W 560 ohm	R588	119-4731-15	1/10W 47k ohm
R433	116-4791-15	1/4W 4.7 ohm	R539	119-4731-15	1/10W 47k ohm	R589	119-1031-15	1/10W 10k ohm
R434	116-4791-15	1/4W 4.7 ohm	R540	119-4731-15	1/10W 47k ohm	R590	119-1031-15	1/10W 10k ohm
R436	116-1531-15	1/4W 15k ohm	R541	119-4731-15	1/10W 47k ohm	R591	119-1031-15	1/10W 10k ohm
R437	119-0000-05	1/10W 0 ohm JW	R542	119-4731-15	1/10W 47k ohm	R592	119-1031-15	1/10W 10k ohm
R438	-----	(NU)	R543	119-5611-15	1/10W 560 ohm	R593	117-1031-15	1/8W 10k ohm
R439	117-3941-15	1/8W 390k ohm	R544	119-5611-15	1/10W 560 ohm	R594	117-1031-15	1/8W 10k ohm
R440	117-3941-15	1/8W 390k ohm	R545	119-1001-15	1/10W 10 ohm	R595	117-1031-15	1/8W 10k ohm
R443	119-0000-05	1/10W 0 ohm JW	R546	119-2221-15	1/10W 2.2k ohm	R596	117-1031-15	1/8W 10k ohm
R444	-----	(NU)	R547	-----	(NU)	R597	119-4721-15	1/10W 4.7k ohm
R445	-----	(NU)	R548	-----	(NU)	R598	119-6821-15	1/10W 6.8k ohm
R446	-----	(NU)	R549	119-2221-15	1/10W 2.2k ohm	R599	119-5111-15	1/10W 510 ohm
R447	-----	(NU)	R550	119-2221-15	1/10W 2.2k ohm	SUP102	060-0122-90	DSP-201M-S00B
R501	119-3331-15	1/10W 33k ohm	R551	-----	(NU)	TC201	004-1580-40	TZ03R300T169B00
R502	119-3331-15	1/10W 33k ohm	R552	119-2221-15	1/10W 2.2k ohm	TC201	-----	(NU)
R503	119-3331-15	1/10W 33k ohm	R553	119-1511-15	1/10W 150 ohm	TH401	-----	(NU)
R504	119-3331-15	1/10W 33k ohm	R554	119-1511-15	1/10W 150 ohm	TM101	073-0768-90	TERMINAL
R505	119-2231-15	1/10W 22k ohm	R555	-----	(NU)	TM102	073-0768-90	TERMINAL
R506	119-2231-15	1/10W 22k ohm	R556	119-1511-15	1/10W 150 ohm	TM401	073-0768-90	TERMINAL
R507	119-2231-15	1/10W 22k ohm	R557	119-1541-15	1/10W 150k ohm	TM402	073-0768-90	TERMINAL
R508	119-2231-15	1/10W 22k ohm	R558	119-1541-15	1/10W 150k ohm	VR101	-----	(NU)
R509	-----	(NU)	R559	119-1541-15	1/10W 150k ohm	VR102	012-6018-56	VR 10k ohm
R510	-----	(NU)	R560	119-1541-15	1/10W 150k ohm	X201	061-1053-00	4.5MHz
R511	-----	(NU)	R561	119-1541-15	1/10W 150k ohm	PWB	039-3519-00	PWB(WITHOUT CO MPONENTS)
R512	-----	(NU)	R562	119-1541-15	1/10W 150k ohm			

Main PWB(B1) section : PP-2898H-D

REF No.	PART No.	DESCRIPTION	REF No.	PART No.	DESCRIPTION	REF No.	PART No.	DESCRIPTION
ANT101	092-2210-01	ANT-RECEPT	C120	-----	(NU)	C140	-----	(NU)
C101	-----	(NU)	C121	166-1201-50	12pF CH	C141	166-1011-50	100pF CH
C102	-----	(NU)	C122	166-1007-50	10pF CH	C142	168-1042-78	16V 0.1uF K
C103	-----	(NU)	C123	168-1042-78	16V 0.1uF K	C143	188-1073-28	10V 100uF
C104	-----	(NU)	C124	-----	(NU)	C144	168-1052-78	16V 1uF K
C105	-----	(NU)	C125	-----	(NU)	C145	-----	(NU)
C106	-----	(NU)	C126	188-1073-28	10V 100uF	C146	-----	(NU)
C107	-----	(NU)	C127	166-2201-50	22pF CH	C147	168-1022-55	1000pF K
C108	119-0000-05	1/10W 0 ohm JW	C128	043-0277-81	22000pF	C148	178-1042-78	0.1uF
C109	-----	(NU)	C129	168-1042-78	16V 0.1uF K	C150	188-3363-28	10V 33uF
C110	-----	(NU)	C130	188-1073-28	10V 100uF	C151	168-3932-78	0.039uF K
C111	-----	(NU)	C131	168-1022-55	1000pF K	C152	168-1042-78	16V 0.1uF K
C112	-----	(NU)	C132	166-2201-50	22pF CH	C153	168-3932-78	0.039uF K
C113	168-1032-55	0.01uF K	C133	168-1042-78	16V 0.1uF K	C154	188-3353-68	50V 3.3uF
C114	-----	(NU)	C134	042-1458-93	50V 2.2uF	C155	168-2245-79	0.22uF Z
C115	-----	(NU)	C135	168-8212-55	820pF K	C156	168-3332-78	0.033uF K
C116	-----	(NU)	C136	166-2201-50	22pF CH	C157	168-1032-55	0.01uF K
C117	-----	(NU)	C137	168-4712-55	470pF K	C158	168-6832-78	0.068uF K
C118	-----	(NU)	C138	187-4763-37	16V 47uF	C159	168-2222-55	2200pF K
C119	-----	(NU)	C139	166-1011-50	100pF CH	C160	168-3332-78	0.033uF K

REF No.	PART No.	DESCRIPTION	REF No.	PART No.	DESCRIPTION	REF No.	PART No.	DESCRIPTION
C161	168-4722-55	4700pF K	C420	168-1042-78	16V 0.1uF K	C540	178-5632-78	0.056uF
C162	168-3332-78	0.033uF K	C421	188-1063-38	16V 10uF	C541	166-2201-50	22pF CH
C163	178-2255-79	2.2uF	C422	172-1041-11	0.1uF	C542	166-2201-50	22pF CH
C164	168-3332-78	0.033uF K	C423	189-3383-32	16V 3300uF	C543	166-2201-50	22pF CH
C165	178-2255-79	2.2uF	C425	168-6822-55	6800pF K	C544	166-2201-50	22pF CH
C166	168-5632-78	16V 0.056uF K	C426	168-6822-55	6800pF K	C545	166-2201-50	22pF CH
C167	168-2232-55	0.022uF K	C427	168-6822-55	6800pF K	C546	166-2201-50	22pF CH
C168	168-1022-55	1000pF K	C428	168-6822-55	6800pF K	C547	166-2201-50	22pF CH
C169	168-8212-55	820pF K	C429	168-1042-78	16V 0.1uF K	C548	166-2201-50	22pF CH
C170	166-1007-50	10pF CH	C430	168-6822-55	6800pF K	C549	178-1242-78	0.12uF
C171	166-1007-50	10pF CH	C431	168-6822-55	6800pF K	C550	178-1242-78	0.12uF
C172	166-1007-50	10pF CH	C432	168-6822-55	6800pF K	C551	178-6822-78	6800pF
C201	166-1007-50	10pF CH	C433	168-6822-55	6800pF K	C552	178-6822-78	6800pF
C202	168-1042-78	16V 0.1uF K	C434	-----	(NU)	C553	043-0309-92	10V 0.68uF
C203	168-1022-55	1000pF K	C435	168-1042-78	16V 0.1uF K	C554	043-0309-92	10V 0.68uF
C204	163-3363-45	25V 33uF	C436	168-1042-78	16V 0.1uF K	C555	178-2222-78	2200pF
C205	168-1022-55	1000pF K	C437	188-1063-38	16V 10uF	C556	178-2222-78	2200pF
C206	166-1011-50	100pF CH	C438	168-1042-78	16V 0.1uF K	C557	178-6832-78	0.068uF
C207	166-1011-50	100pF CH	C439	168-1042-78	16V 0.1uF K	C558	178-6832-78	0.068uF
C208	166-1011-50	100pF CH	C440	188-1053-68	50V 1uF	C559	178-8232-78	0.082uF
C209	166-1011-50	100pF CH	C441	-----	(NU)	C560	178-8232-78	0.082uF
C210	-----	(NU)	C442	168-1022-55	1000pF K	C561	178-6832-78	0.068uF
C211	-----	(NU)	C443	168-1022-55	1000pF K	C562	178-8232-78	0.082uF
C212	166-2201-50	22pF CH	C444	178-4742-78	0.47uF	C563	166-2201-50	22pF CH
C213	168-1042-78	16V 0.1uF K	C445	178-4742-78	0.47uF	C564	166-2201-50	22pF CH
C215	168-1042-78	16V 0.1uF K	C446	178-4742-78	0.47uF	C565	166-2201-50	22pF CH
C216	187-1073-27	10V 100uF	C447	178-8232-78	0.082uF	C566	166-2201-50	22pF CH
C217	-----	(NU)	C448	178-8232-78	0.082uF	C567	178-6832-78	0.068uF
C218	168-1052-78	16V 1uF K	C449	-----	(NU)	C568	178-8232-78	0.082uF
C219	168-1042-78	16V 0.1uF K	C450	168-1042-78	16V 0.1uF K	C569	-----	(NU)
C220	166-1007-50	10pF CH	C451	172-1041-11	0.1uF	C570	-----	(NU)
C221	-----	(NU)	C452	166-2201-50	22pF CH	C571	188-1063-38	16V 10uF
C222	-----	(NU)	C453	166-2201-50	22pF CH	C572	-----	(NU)
C301	168-1052-78	16V 1uF K	C454	166-2201-50	22pF CH	C573	-----	(NU)
C302	178-1242-78	0.12uF	C455	166-2201-50	22pF CH	CCT201	050-0145-52	1/16W 1k ohm x4
C303	178-1242-78	0.12uF	C501	188-1063-38	16V 10uF	CCT202	050-0145-52	1/16W 1k ohm x4
C304	178-1242-78	0.12uF	C502	188-1063-38	16V 10uF	CCT203	050-0145-52	1/16W 1k ohm x4
C305	178-1242-78	0.12uF	C503	188-1063-38	16V 10uF	CCT204	050-0145-52	1/16W 1k ohm x4
C306	168-1052-78	16V 1uF K	C504	188-1063-38	16V 10uF	CCT205	050-0145-52	1/16W 1k ohm x4
C307	188-2263-18	6.3V 22uF	C505	-----	(NU)	CCT206	050-0145-52	1/16W 1k ohm x4
C308	178-4742-78	0.47uF	C506	-----	(NU)	CCT207	050-0145-52	1/16W 1k ohm x4
C309	168-1222-55	1200pF K	C507	-----	(NU)	CCT208	050-0145-52	1/16W 1k ohm x4
C310	168-1222-55	1200pF K	C508	-----	(NU)	CCT209	050-0145-52	1/16W 1k ohm x4
C311	178-4742-78	0.47uF	C509	166-2201-50	22pF CH	CCT210	050-0145-52	1/16W 1k ohm x4
C312	168-1052-78	16V 1uF K	C510	166-2201-50	22pF CH	CCT211	050-0145-52	1/16W 1k ohm x4
C313	168-1052-78	16V 1uF K	C511	-----	(NU)	CCT212	050-0145-52	1/16W 1k ohm x4
C314	178-1842-78	0.18uF	C512	-----	(NU)	D101	-----	(NU)
C315	178-1842-78	0.18uF	C513	166-2201-50	22pF CH	D102	-----	(NU)
C316	178-1842-78	0.18uF	C514	166-2201-50	22pF CH	D103	-----	(NU)
C317	178-1842-78	0.18uF	C515	166-2201-50	22pF CH	D104	-----	(NU)
C318	168-8212-55	820pF K	C516	166-2201-50	22pF CH	D201	-----	(NU)
C319	168-8212-55	820pF K	C517	-----	(NU)	D401	001-0529-48	MA8091-H
C320	168-8212-55	820pF K	C518	-----	(NU)	D402	001-0516-90	MA111
C321	168-8212-55	820pF K	C519	166-2201-50	22pF CH	D403	001-2412-90	RR264M-400
C322	188-1063-38	16V 10uF	C520	166-2201-50	22pF CH	D404	-----	(NU)
C323	188-1063-38	16V 10uF	C521	178-4722-78	4700pF	D405	001-0504-31	HZS6 A2L
C324	168-1832-55	0.018uF K	C522	178-5632-78	0.056uF	D406	001-0504-45	HZS9 B1L
C401	188-4763-38	16V 47uF	C523	178-5622-78	5600pF	D407	001-2015-00	RL253
C402	-----	(NU)	C524	178-1532-78	0.015uF	D408	001-0529-48	MA8091-H
C403	042-6000-91	10V 33uF	C525	166-2201-50	22pF CH	D409	001-0529-34	MA8062-L
C405	168-1042-78	16V 0.1uF K	C526	166-2201-50	22pF CH	D410	001-0580-90	1SS352
C407	168-1042-78	16V 0.1uF K	C527	166-2201-50	22pF CH	D411	-----	(NU)
C408	042-1452-82	16V 100uF	C528	166-2201-50	22pF CH	D412	-----	(NU)
C409	168-4742-78	0.47uF K	C529	178-5622-78	5600pF	D413	-----	(NU)
C410	168-1052-78	16V 1uF K	C530	178-1532-78	0.015uF	IC101	-----	(NU)
C411	-----	(NU)	C531	178-4722-78	4700pF	IC102	-----	(NU)
C412	-----	(NU)	C532	178-5632-78	0.056uF	IC103	051-4618-90	HA12181FP-EL-E
C413	178-4742-78	0.47uF	C533	178-1042-78	0.1uF	IC201	052-1187-10	LC723663-9D49-E
C414	178-4742-78	0.47uF	C534	178-1042-78	0.1uF	IC301	051-5029-00	LC75412EH
C415	178-8232-78	0.082uF	C535	178-1242-78	0.12uF	IC401	051-3341-90	BD3931FP
C416	178-8232-78	0.082uF	C536	178-1242-78	0.12uF	IC402	051-2067-00	TB2946HQ
C417	188-1063-38	16V 10uF	C537	178-8232-78	0.082uF	IC501	051-3019-90	NJM2060V
C418	-----	(NU)	C538	178-8232-78	0.082uF	IC502	051-3019-90	NJM2060V
C419	188-1063-38	16V 10uF	C539	178-5632-78	0.056uF	IC503	051-3019-90	NJM2060V
						IC504	051-3019-90	NJM2060V

REF No.	PART No.	DESCRIPTION	REF No.	PART No.	DESCRIPTION	REF No.	PART No.	DESCRIPTION
IC505	051-3019-90	NJM2060V	R132	119-1001-15	1/10W 10 ohm	R402	116-1821-15	1/4W 1.8k ohm
IC506	-----	(NU)	R133	119-1001-15	1/10W 10 ohm	R403	119-2231-15	1/10W 22k ohm
J201	074-2003-76	26P	R134	119-1501-15	1/10W 15 ohm	R404	119-4741-15	1/10W 470k ohm
J202	076-3011-64	14P	R135	119-1041-15	1/10W 100k ohm	R405	119-1231-15	1/10W 12k ohm
JW401	074-4009-20	20P	R136	119-4731-15	1/10W 47k ohm	R406	119-1021-15	1/10W 1k ohm
JW401	060-0054-03	JW 10mm	R137	119-2731-15	1/10W 27k ohm	R407	119-1031-15	1/10W 10k ohm
JW402	060-0054-03	JW 10mm	R138	119-1231-15	1/10W 12k ohm	R408	119-2231-15	1/10W 22k ohm
JW403	060-0054-03	JW 10mm	R139	119-1021-15	1/10W 1k ohm	R409	119-2231-15	1/10W 22k ohm
L101	-----	(NU)	R140	119-1021-15	1/10W 1k ohm	R410	119-2231-15	1/10W 22k ohm
L102	-----	(NU)	R141	119-1841-15	1/10W 180k ohm	R411	119-2231-15	1/10W 22k ohm
L103	-----	(NU)	R142	119-2221-15	1/10W 2.2k ohm	R412	-----	(NU)
L104	010-2003-04	30uH	R143	119-1031-15	1/10W 10k ohm	R413	-----	(NU)
L105	010-3407-75	120uH J	R144	119-5621-15	1/10W 5.6k ohm	R414	-----	(NU)
L201	010-6009-64	2.2uH J	R145	-----	(NU)	R415	-----	(NU)
L401	009-0680-60	200uH	R146	119-1031-15	1/10W 10k ohm	R416	-----	(NU)
Q101	-----	(NU)	R147	119-2221-15	1/10W 2.2k ohm	R417	116-2211-15	1/4W 220 ohm
Q102	-----	(NU)	R148	119-1021-15	1/10W 1k ohm	R418	119-1041-15	1/10W 100k ohm
Q103	-----	(NU)	R149	119-6821-15	1/10W 6.8k ohm	R419	119-4731-15	1/10W 47k ohm
Q104	-----	(NU)	R201	119-1021-15	1/10W 1k ohm	R420	116-3911-15	1/4W 390 ohm
Q105	192-4116-51	2SC4116 G,L	R202	119-1021-15	1/10W 1k ohm	R421	116-3911-15	1/4W 390 ohm
Q106	192-4116-51	2SC4116 G,L	R203	119-1031-15	1/10W 10k ohm	R422	119-1041-15	1/10W 100k ohm
Q107	-----	(NU)	R204	119-0000-05	1/10W 0 ohm JW	R423	116-6811-15	1/4W 680 ohm
Q108	190-1162-00	2SA1162	R205	119-4731-15	1/10W 47k ohm	R424	-----	(NU)
Q109	190-1162-00	2SA1162	R206	119-1031-15	1/10W 10k ohm	R425	-----	(NU)
Q201	-----	(NU)	R207	119-4731-15	1/10W 47k ohm	R426	116-2721-15	1/4W 2.7k ohm
Q204	-----	(NU)	R208	119-3311-15	1/10W 330 ohm	R427	-----	(NU)
Q205	125-0002-92	RN2402	R209	119-3311-15	1/10W 330 ohm	R428	119-5611-15	1/10W 560 ohm
Q401	193-2118-00	2SD2118F5	R210	119-4731-15	1/10W 47k ohm	R429	119-1031-15	1/10W 10k ohm
Q402	191-1197-50	2SB1197K Q,R	R211	119-1031-15	1/10W 10k ohm	R430	116-1831-15	1/4W 18k ohm
Q403	125-2026-91	UNR5211G	R212	119-1031-15	1/10W 10k ohm	R431	119-4721-15	1/10W 4.7k ohm
Q404	125-0020-91	UNR5111	R213	119-1031-15	1/10W 10k ohm	R432	119-5611-15	1/10W 560 ohm
Q405	125-2026-91	UNR5211G	R214	119-4731-15	1/10W 47k ohm	R433	116-4791-15	1/4W 4.7 ohm
Q406	-----	(NU)	R215	119-4731-15	1/10W 47k ohm	R434	116-4791-15	1/4W 4.7 ohm
Q407	-----	(NU)	R216	-----	(NU)	R436	116-1531-15	1/4W 15k ohm
Q408	193-1858-00	2SD1858	R217	119-1031-15	1/10W 10k ohm	R437	119-0000-05	1/10W 0 ohm JW
Q409	125-9003-92	IMD3	R218	119-1031-15	1/10W 10k ohm	R438	-----	(NU)
Q410	103-2012-00	2SD2012	R219	119-4731-15	1/10W 47k ohm	R439	117-3941-15	1/8W 390k ohm
Q411	125-2026-91	UNR5211G	R220	119-2231-15	1/10W 22k ohm	R440	117-3941-15	1/8W 390k ohm
Q412	193-2118-00	2SD2118F5	R221	-----	(NU)	R443	-----	(NU)
Q414	193-1306-00	2SD1306	R222	119-1031-15	1/10W 10k ohm	R444	119-0000-05	1/10W 0 ohm JW
Q415	192-2712-00	2SC2712	R223	119-1041-15	1/10W 100k ohm	R445	-----	(NU)
Q416	192-2712-00	2SC2712	R224	119-1031-15	1/10W 10k ohm	R446	-----	(NU)
Q501	192-2712-00	2SC2712	R225	-----	(NU)	R447	-----	(NU)
R101	-----	(NU)	R226	119-4731-15	1/10W 47k ohm	R501	119-3331-15	1/10W 33k ohm
R102	-----	(NU)	R227	-----	(NU)	R502	119-3331-15	1/10W 33k ohm
R103	-----	(NU)	R228	119-1031-15	1/10W 10k ohm	R503	119-3331-15	1/10W 33k ohm
R104	-----	(NU)	R229	119-1021-15	1/10W 1k ohm	R504	119-3331-15	1/10W 33k ohm
R105	-----	(NU)	R230	119-1031-15	1/10W 10k ohm	R505	119-2231-15	1/10W 22k ohm
R106	119-0000-05	1/10W 0 ohm JW	R231	-----	(NU)	R506	119-2231-15	1/10W 22k ohm
R107	-----	(NU)	R232	-----	(NU)	R507	119-2231-15	1/10W 22k ohm
R108	-----	(NU)	R233	-----	(NU)	R508	119-2231-15	1/10W 22k ohm
R109	-----	(NU)	R234	-----	(NU)	R509	-----	(NU)
R110	-----	(NU)	R235	119-1031-15	1/10W 10k ohm	R510	-----	(NU)
R111	-----	(NU)	R236	119-1041-15	1/10W 100k ohm	R511	-----	(NU)
R112	-----	(NU)	R237	119-4731-15	1/10W 47k ohm	R512	-----	(NU)
R113	-----	(NU)	R238	119-4731-15	1/10W 47k ohm	R513	119-4721-15	1/10W 4.7k ohm
R114	-----	(NU)	R239	-----	(NU)	R514	119-1031-15	1/10W 10k ohm
R115	-----	(NU)	R240	119-2231-15	1/10W 22k ohm	R515	119-1031-15	1/10W 10k ohm
R116	-----	(NU)	R241	119-0000-05	1/10W 0 ohm JW	R516	119-4721-15	1/10W 4.7k ohm
R117	-----	(NU)	R242	119-3341-15	1/10W 330k ohm	R517	-----	(NU)
R118	-----	(NU)	R243	119-4731-15	1/10W 47k ohm	R518	-----	(NU)
R119	-----	(NU)	R244	119-4731-15	1/10W 47k ohm	R519	-----	(NU)
R120	119-4741-15	1/10W 470k ohm	R245	119-0000-05	1/10W 0 ohm JW	R520	-----	(NU)
R121	119-2221-15	1/10W 2.2k ohm	R301	-----	(NU)	R521	119-4721-15	1/10W 4.7k ohm
R122	119-2221-15	1/10W 2.2k ohm	R302	-----	(NU)	R522	119-1031-15	1/10W 10k ohm
R123	119-2721-15	1/10W 2.7k ohm	R309	119-1821-15	1/10W 1.8k ohm	R523	119-1031-15	1/10W 10k ohm
R124	119-1021-15	1/10W 1k ohm	R310	119-3931-15	1/10W 39k ohm	R524	119-4721-15	1/10W 4.7k ohm
R125	119-8201-15	1/10W 82 ohm	R311	119-3931-15	1/10W 39k ohm	R525	119-2221-15	1/10W 2.2k ohm
R126	119-1021-15	1/10W 1k ohm	R312	119-1821-15	1/10W 1.8k ohm	R526	-----	(NU)
R127	119-1021-15	1/10W 1k ohm	R313	119-4721-15	1/10W 4.7k ohm	R527	-----	(NU)
R128	-----	(NU)	R314	119-4721-15	1/10W 4.7k ohm	R528	119-2221-15	1/10W 2.2k ohm
R129	-----	(NU)	R315	119-4721-15	1/10W 4.7k ohm	R529	119-2221-15	1/10W 2.2k ohm
R130	119-0000-05	1/10W 0 ohm JW	R316	119-4721-15	1/10W 4.7k ohm	R530	-----	(NU)
R131	-----	(NU)	R401	116-4711-15	1/4W 470 ohm	R531	-----	(NU)

REF No.	PART No.	DESCRIPTION	REF No.	PART No.	DESCRIPTION	REF No.	PART No.	DESCRIPTION
R532	119-2221-15	1/10W 2.2k ohm	R559	119-1541-15	1/10W 150k ohm	R586	119-8221-15	1/10W 8.2k ohm
R533	119-4721-15	1/10W 4.7k ohm	R560	119-1541-15	1/10W 150k ohm	R587	119-6831-15	1/10W 68k ohm
R534	-----	(NU)	R561	119-1541-15	1/10W 150k ohm	R588	119-6831-15	1/10W 68k ohm
R535	-----	(NU)	R562	119-1541-15	1/10W 150k ohm	R589	119-1031-15	1/10W 10k ohm
R536	119-8211-15	1/10W 820 ohm	R563	119-1541-15	1/10W 150k ohm	R590	119-1031-15	1/10W 10k ohm
R537	119-5611-15	1/10W 560 ohm	R564	119-1541-15	1/10W 150k ohm	R591	119-1031-15	1/10W 10k ohm
R538	119-5611-15	1/10W 560 ohm	R565	119-1511-15	1/10W 150 ohm	R592	119-1031-15	1/10W 10k ohm
R539	119-4731-15	1/10W 47k ohm	R566	119-1511-15	1/10W 150 ohm	R593	117-1031-15	1/8W 10k ohm
R540	119-4731-15	1/10W 47k ohm	R567	119-1511-15	1/10W 150 ohm	R594	117-1031-15	1/8W 10k ohm
R541	119-4731-15	1/10W 47k ohm	R568	119-1511-15	1/10W 150 ohm	R595	117-6821-15	1/8W 6.8k ohm
R542	119-4731-15	1/10W 47k ohm	R569	119-8211-15	1/10W 820 ohm	R596	117-6821-15	1/8W 6.8k ohm
R543	119-5611-15	1/10W 560 ohm	R570	119-8211-15	1/10W 820 ohm	R597	119-4721-15	1/10W 4.7k ohm
R544	119-5611-15	1/10W 560 ohm	R571	119-8221-15	1/10W 8.2k ohm	R598	119-6821-15	1/10W 6.8k ohm
R545	-----	(NU)	R572	119-8221-15	1/10W 8.2k ohm	R599	119-5111-15	1/10W 510 ohm
R546	-----	(NU)	R573	119-6831-15	1/10W 68k ohm	SUP102	060-0122-90	DSP-201M-S00B
R547	119-4721-15	1/10W 4.7k ohm	R574	119-6831-15	1/10W 68k ohm	TC201	004-1580-40	TZ03R300T169B00
R548	119-8211-15	1/10W 820 ohm	R575	119-8221-15	1/10W 8.2k ohm	TC201	-----	(NU)
R549	119-3321-15	1/10W 3.3k ohm	R576	119-8221-15	1/10W 8.2k ohm	TH401	-----	(NU)
R550	119-3321-15	1/10W 3.3k ohm	R577	119-1031-15	1/10W 10k ohm	TM101	073-0768-90	TERMINAL
R551	119-1221-15	1/10W 1.2k ohm	R578	119-1031-15	1/10W 10k ohm	TM102	073-0768-90	TERMINAL
R552	119-1221-15	1/10W 1.2k ohm	R579	119-5131-15	1/10W 51k ohm	TM401	073-0768-90	TERMINAL
R553	119-1511-15	1/10W 150 ohm	R580	119-5131-15	1/10W 51k ohm	TM402	073-0768-90	TERMINAL
R554	119-1511-15	1/10W 150 ohm	R581	119-5131-15	1/10W 51k ohm	VR101	-----	(NU)
R555	119-1511-15	1/10W 150 ohm	R582	119-5131-15	1/10W 51k ohm	VR102	012-6018-56	VR 10k ohm
R556	119-1511-15	1/10W 150 ohm	R583	119-1031-15	1/10W 10k ohm	X201	061-1053-00	4.5MHz
R557	119-1541-15	1/10W 150k ohm	R584	119-1031-15	1/10W 10k ohm	PWB	039-3519-00	PWB(WITHOUT CO MPONENTS)
R558	119-1541-15	1/10W 150k ohm	R585	119-8221-15	1/10W 8.2k ohm			

Main PWB(B1) section : PP-2898H-E

REF No.	PART No.	DESCRIPTION	REF No.	PART No.	DESCRIPTION	REF No.	PART No.	DESCRIPTION
ANT101	092-2210-01	ANT-RECEPT	C142	168-1042-78	16V 0.1uF K	C213	168-1042-78	16V 0.1uF K
C101	-----	(NU)	C143	188-1073-28	10V 100uF	C215	168-1042-78	16V 0.1uF K
C102	-----	(NU)	C144	168-1052-78	16V 1uF K	C216	187-1073-27	10V 100uF
C103	-----	(NU)	C145	-----	(NU)	C217	-----	(NU)
C104	-----	(NU)	C146	-----	(NU)	C218	168-1052-78	16V 1uF K
C105	-----	(NU)	C147	168-1022-55	1000pF K	C219	168-1042-78	16V 0.1uF K
C106	-----	(NU)	C148	178-1042-78	0.1uF	C220	166-1007-50	10pF CH
C107	-----	(NU)	C150	188-3363-28	10V 33uF	C221	-----	(NU)
C108	119-0000-05	1/10W 0 ohm JW	C151	168-3932-78	0.039uF K	C222	-----	(NU)
C109	-----	(NU)	C152	168-1042-78	16V 0.1uF K	C301	168-1052-78	16V 1uF K
C110	-----	(NU)	C153	168-3932-78	0.039uF K	C302	178-1242-78	0.12uF
C111	-----	(NU)	C154	188-3353-68	50V 3.3uF	C303	178-1242-78	0.12uF
C112	-----	(NU)	C155	168-2245-79	0.22uF Z	C304	178-1242-78	0.12uF
C113	168-1032-55	0.01uF K	C156	168-3332-78	0.033uF K	C305	178-1242-78	0.12uF
C114	-----	(NU)	C157	168-1032-55	0.01uF K	C306	168-1052-78	16V 1uF K
C115	-----	(NU)	C158	168-6832-78	0.068uF K	C307	188-2263-18	6.3V 22uF
C116	-----	(NU)	C159	168-2222-55	2200pF K	C308	178-4742-78	0.47uF
C117	-----	(NU)	C160	168-3332-78	0.033uF K	C309	168-1222-55	1200pF K
C118	-----	(NU)	C161	168-4722-55	4700pF K	C310	168-1222-55	1200pF K
C119	-----	(NU)	C162	168-3332-78	0.033uF K	C311	178-4742-78	0.47uF
C120	-----	(NU)	C163	178-2255-79	2.2uF	C312	168-1052-78	16V 1uF K
C121	166-1201-50	12pF CH	C164	168-3332-78	0.033uF K	C313	168-1052-78	16V 1uF K
C122	166-1007-50	10pF CH	C165	178-2255-79	2.2uF	C314	178-1842-78	0.18uF
C123	168-1042-78	16V 0.1uF K	C166	168-5632-78	16V 0.056uF K	C315	178-1842-78	0.18uF
C124	-----	(NU)	C167	168-2232-55	0.022uF K	C316	178-1842-78	0.18uF
C125	-----	(NU)	C168	168-1022-55	1000pF K	C317	178-1842-78	0.18uF
C126	188-1073-28	10V 100uF	C169	168-8212-55	820pF K	C318	168-8212-55	820pF K
C127	166-2201-50	22pF CH	C170	166-1007-50	10pF CH	C319	168-8212-55	820pF K
C128	043-0277-81	22000pF	C171	166-1007-50	10pF CH	C320	168-8212-55	820pF K
C129	168-1042-78	16V 0.1uF K	C172	166-1007-50	10pF CH	C321	168-8212-55	820pF K
C130	188-1073-28	10V 100uF	C201	166-1007-50	10pF CH	C322	188-1063-38	16V 10uF
C131	168-1022-55	1000pF K	C202	168-1042-78	16V 0.1uF K	C323	188-1063-38	16V 10uF
C132	166-2201-50	22pF CH	C203	168-1022-55	1000pF K	C324	168-1832-55	0.018uF K
C133	168-1042-78	16V 0.1uF K	C204	163-3363-45	25V 33uF	C401	188-4763-38	16V 47uF
C134	042-1458-93	50V 2.2uF	C205	168-1022-55	1000pF K	C402	-----	(NU)
C135	168-8212-55	820pF K	C206	166-1011-50	100pF CH	C403	042-6000-91	10V 33uF
C136	166-2201-50	22pF CH	C207	166-1011-50	100pF CH	C405	168-1042-78	16V 0.1uF K
C137	168-4712-55	470pF K	C208	166-1011-50	100pF CH	C407	168-1042-78	16V 0.1uF K
C138	187-4763-37	16V 47uF	C209	166-1011-50	100pF CH	C408	042-1452-82	16V 100uF
C139	166-1011-50	100pF CH	C210	-----	(NU)	C409	168-4742-78	0.47uF K
C140	-----	(NU)	C211	-----	(NU)	C410	168-1052-78	16V 1uF K
C141	166-1011-50	100pF CH	C212	166-2201-50	22pF CH	C411	-----	(NU)

REF No.	PART No.	DESCRIPTION	REF No.	PART No.	DESCRIPTION	REF No.	PART No.	DESCRIPTION
C412	-----	(NU)	C532	178-6822-78	6800pF	IC201	052-1187-10	LC723663-9D49-E
C413	178-8232-78	0.082uF	C533	178-1042-78	0.1uF	IC301	051-5029-00	LC75412EH
C414	178-8232-78	0.082uF	C534	178-1042-78	0.1uF	IC401	051-3341-90	BD3931FP
C415	178-4742-78	0.47uF	C535	178-1242-78	0.12uF	IC402	051-2067-00	TB2946HQ
C416	178-4742-78	0.47uF	C536	178-1242-78	0.12uF	IC501	051-3019-90	NJM2060V
C417	188-1063-38	16V 10uF	C537	178-8232-78	0.082uF	IC502	051-3019-90	NJM2060V
C418	-----	(NU)	C538	178-8232-78	0.082uF	IC503	051-3019-90	NJM2060V
C419	188-1063-38	16V 10uF	C539	178-5632-78	0.056uF	IC504	051-3019-90	NJM2060V
C420	168-1042-78	16V 0.1uF K	C540	178-5632-78	0.056uF	IC505	051-3019-90	NJM2060V
C421	188-1063-38	16V 10uF	C541	166-2201-50	22pF CH	IC506	-----	(NU)
C422	172-1041-11	0.1uF	C542	166-2201-50	22pF CH	J201	074-2003-76	26P
C423	189-3383-32	16V 3300uF	C543	166-2201-50	22pF CH	J202	076-3011-64	14P
C425	168-6822-55	6800pF K	C544	166-2201-50	22pF CH	JW401	074-4009-20	20P
C426	168-6822-55	6800pF K	C545	166-2201-50	22pF CH	JW401	060-0054-03	JW 10mm
C427	168-6822-55	6800pF K	C546	166-2201-50	22pF CH	JW402	060-0054-03	JW 10mm
C428	168-6822-55	6800pF K	C547	166-2201-50	22pF CH	JW403	060-0054-03	JW 10mm
C429	168-1042-78	16V 0.1uF K	C548	166-2201-50	22pF CH	L101	-----	(NU)
C430	168-6822-55	6800pF K	C549	178-1242-78	0.12uF	L102	-----	(NU)
C431	168-6822-55	6800pF K	C550	178-1242-78	0.12uF	L103	-----	(NU)
C432	168-6822-55	6800pF K	C551	178-4732-78	0.047uF	L104	010-2003-04	30uH
C433	168-6822-55	6800pF K	C552	178-4732-78	0.047uF	L105	010-3407-75	120uH J
C434	-----	(NU)	C553	043-0309-92	10V 0.68uF	L201	010-6009-64	2.2uH J
C435	168-1042-78	16V 0.1uF K	C554	043-0309-92	10V 0.68uF	L401	009-0680-60	200uH
C436	168-1042-78	16V 0.1uF K	C555	178-2232-78	0.022uF	Q101	-----	(NU)
C437	188-1063-38	16V 10uF	C556	178-2232-78	0.022uF	Q102	-----	(NU)
C438	168-1042-78	16V 0.1uF K	C557	178-6832-78	0.068uF	Q103	-----	(NU)
C439	168-1042-78	16V 0.1uF K	C558	178-6832-78	0.068uF	Q104	-----	(NU)
C440	188-1053-68	50V 1uF	C559	178-1042-78	0.1uF	Q105	192-4116-51	2SC4116 G,L
C441	-----	(NU)	C560	178-1042-78	0.1uF	Q106	192-4116-51	2SC4116 G,L
C442	168-1022-55	1000pF K	C561	178-6832-78	0.068uF	Q107	-----	(NU)
C443	168-1022-55	1000pF K	C562	178-1042-78	0.1uF	Q108	190-1162-00	2SA1162
C444	178-4742-78	0.47uF	C563	166-2201-50	22pF CH	Q109	190-1162-00	2SA1162
C445	178-8232-78	0.082uF	C564	166-2201-50	22pF CH	Q201	-----	(NU)
C446	178-8232-78	0.082uF	C565	166-2201-50	22pF CH	Q204	-----	(NU)
C447	178-4742-78	0.47uF	C566	166-2201-50	22pF CH	Q205	125-0002-92	RN2402
C448	178-4742-78	0.47uF	C567	178-6832-78	0.068uF	Q401	193-2118-00	2SD2118F5
C449	-----	(NU)	C568	178-1042-78	0.1uF	Q402	191-1197-50	2SB1197K Q,R
C450	168-1042-78	16V 0.1uF K	C569	-----	(NU)	Q403	125-2026-91	UNR5211G
C451	172-1041-11	0.1uF	C570	-----	(NU)	Q404	125-0020-91	UNR5111
C452	166-2201-50	22pF CH	C571	188-1063-38	16V 10uF	Q405	125-2026-91	UNR5211G
C453	166-2201-50	22pF CH	C572	-----	(NU)	Q406	-----	(NU)
C454	166-2201-50	22pF CH	C573	-----	(NU)	Q407	-----	(NU)
C455	166-2201-50	22pF CH	CCT201	050-0145-52	1/16W 1k ohm x4	Q408	193-1858-00	2SD1858
C501	188-1063-38	16V 10uF	CCT202	050-0145-52	1/16W 1k ohm x4	Q409	125-9003-92	IMD3
C502	188-1063-38	16V 10uF	CCT203	050-0145-52	1/16W 1k ohm x4	Q410	103-2012-00	2SD2012
C503	188-1063-38	16V 10uF	CCT204	050-0145-52	1/16W 1k ohm x4	Q411	125-2026-91	UNR5211G
C504	188-1063-38	16V 10uF	CCT205	050-0145-52	1/16W 1k ohm x4	Q412	193-2118-00	2SD2118F5
C505	-----	(NU)	CCT206	050-0145-52	1/16W 1k ohm x4	Q414	193-1306-00	2SD1306
C506	-----	(NU)	CCT207	050-0145-52	1/16W 1k ohm x4	Q415	192-2712-00	2SC2712
C507	-----	(NU)	CCT208	050-0145-52	1/16W 1k ohm x4	Q416	192-2712-00	2SC2712
C508	-----	(NU)	CCT209	050-0145-52	1/16W 1k ohm x4	Q501	192-2712-00	2SC2712
C509	166-2201-50	22pF CH	CCT211	050-0145-52	1/16W 1k ohm x4	R101	-----	(NU)
C510	166-2201-50	22pF CH	CCT212	050-0145-52	1/16W 1k ohm x4	R102	-----	(NU)
C511	-----	(NU)	D101	-----	(NU)	R103	-----	(NU)
C512	-----	(NU)	D102	-----	(NU)	R104	-----	(NU)
C513	166-2201-50	22pF CH	D103	-----	(NU)	R105	-----	(NU)
C514	166-2201-50	22pF CH	D104	-----	(NU)	R106	119-0000-05	1/10W 0 ohm JW
C515	166-2201-50	22pF CH	D201	-----	(NU)	R107	-----	(NU)
C516	166-2201-50	22pF CH	D401	001-0529-48	MA8091-H	R108	-----	(NU)
C517	-----	(NU)	D402	001-0516-90	MA111	R109	-----	(NU)
C518	-----	(NU)	D403	001-2412-90	RR264M-400	R110	-----	(NU)
C519	166-2201-50	22pF CH	D404	-----	(NU)	R111	-----	(NU)
C520	166-2201-50	22pF CH	D405	001-0504-31	HZS6 A2L	R112	-----	(NU)
C521	178-4722-78	4700pF	D406	001-0504-45	HZS9 B1L	R113	-----	(NU)
C522	178-6822-78	6800pF	D407	001-2015-00	RL253	R114	-----	(NU)
C523	178-5622-78	5600pF	D408	001-0529-48	MA8091-H	R115	-----	(NU)
C524	178-1232-78	0.012uF	D409	001-0529-34	MA8062-L	R116	-----	(NU)
C525	166-2201-50	22pF CH	D410	001-0580-90	1SS352	R117	-----	(NU)
C526	166-2201-50	22pF CH	D411	-----	(NU)	R118	-----	(NU)
C527	166-2201-50	22pF CH	D412	-----	(NU)	R119	-----	(NU)
C528	166-2201-50	22pF CH	D413	-----	(NU)	R120	119-4741-15	1/10W 470k ohm
C529	178-5622-78	5600pF	IC101	-----	(NU)	R121	119-2221-15	1/10W 2.2k ohm
C530	178-1232-78	0.012uF	IC102	-----	(NU)	R122	119-2221-15	1/10W 2.2k ohm
C531	178-4722-78	4700pF	IC103	051-4618-90	HA12181FP-EL-E	R123	119-2721-15	1/10W 2.7k ohm

REF No.	PART No.	DESCRIPTION	REF No.	PART No.	DESCRIPTION	REF No.	PART No.	DESCRIPTION
R124	119-1021-15	1/10W 1k ohm	R310	119-3931-15	1/10W 39k ohm	R524	119-4721-15	1/10W 4.7k ohm
R125	119-8201-15	1/10W 82 ohm	R311	119-3931-15	1/10W 39k ohm	R525	119-2221-15	1/10W 2.2k ohm
R126	119-1021-15	1/10W 1k ohm	R312	119-1821-15	1/10W 1.8k ohm	R526	-----	(NU)
R127	119-1021-15	1/10W 1k ohm	R313	119-4721-15	1/10W 4.7k ohm	R527	-----	(NU)
R128	-----	(NU)	R314	119-4721-15	1/10W 4.7k ohm	R528	119-2221-15	1/10W 2.2k ohm
R129	-----	(NU)	R315	119-4721-15	1/10W 4.7k ohm	R529	119-2221-15	1/10W 2.2k ohm
R130	119-0000-05	1/10W 0 ohm JW	R316	119-4721-15	1/10W 4.7k ohm	R530	-----	(NU)
R131	-----	(NU)	R401	116-4711-15	1/4W 470 ohm	R531	-----	(NU)
R132	119-1001-15	1/10W 10 ohm	R402	116-1821-15	1/4W 1.8k ohm	R532	119-2221-15	1/10W 2.2k ohm
R133	119-1001-15	1/10W 10 ohm	R403	119-2231-15	1/10W 22k ohm	R533	119-4721-15	1/10W 4.7k ohm
R134	119-1501-15	1/10W 15 ohm	R404	119-4741-15	1/10W 470k ohm	R534	-----	(NU)
R135	119-1041-15	1/10W 100k ohm	R405	119-1231-15	1/10W 12k ohm	R535	-----	(NU)
R136	119-4731-15	1/10W 47k ohm	R406	119-1021-15	1/10W 1k ohm	R536	119-2721-15	1/10W 2.7k ohm
R137	119-2731-15	1/10W 27k ohm	R407	119-1031-15	1/10W 10k ohm	R537	119-5611-15	1/10W 560 ohm
R138	119-1231-15	1/10W 12k ohm	R408	119-2231-15	1/10W 22k ohm	R538	119-5611-15	1/10W 560 ohm
R139	119-1021-15	1/10W 1k ohm	R409	119-2231-15	1/10W 22k ohm	R539	119-4731-15	1/10W 47k ohm
R140	119-1021-15	1/10W 1k ohm	R410	119-2231-15	1/10W 22k ohm	R540	119-4731-15	1/10W 47k ohm
R141	119-1841-15	1/10W 180k ohm	R411	119-2231-15	1/10W 22k ohm	R541	119-4731-15	1/10W 47k ohm
R142	119-2221-15	1/10W 2.2k ohm	R412	-----	(NU)	R542	119-4731-15	1/10W 47k ohm
R143	119-1031-15	1/10W 10k ohm	R413	-----	(NU)	R543	119-5611-15	1/10W 560 ohm
R144	119-5621-15	1/10W 5.6k ohm	R414	-----	(NU)	R544	119-5611-15	1/10W 560 ohm
R145	-----	(NU)	R415	-----	(NU)	R545	-----	(NU)
R146	119-1031-15	1/10W 10k ohm	R416	-----	(NU)	R546	-----	(NU)
R147	119-2221-15	1/10W 2.2k ohm	R417	116-2211-15	1/4W 220 ohm	R547	119-4721-15	1/10W 4.7k ohm
R148	119-1021-15	1/10W 1k ohm	R418	119-1041-15	1/10W 100k ohm	R548	119-2721-15	1/10W 2.7k ohm
R149	119-6821-15	1/10W 6.8k ohm	R419	119-4731-15	1/10W 47k ohm	R549	119-3321-15	1/10W 3.3k ohm
R201	119-1021-15	1/10W 1k ohm	R420	116-3911-15	1/4W 390 ohm	R550	119-3321-15	1/10W 3.3k ohm
R202	119-1021-15	1/10W 1k ohm	R421	116-3911-15	1/4W 390 ohm	R551	119-8211-15	1/10W 820 ohm
R203	119-1031-15	1/10W 10k ohm	R422	119-1041-15	1/10W 100k ohm	R552	119-8211-15	1/10W 820 ohm
R204	119-0000-05	1/10W 0 ohm JW	R423	116-6811-15	1/4W 680 ohm	R553	119-1511-15	1/10W 150 ohm
R205	119-4731-15	1/10W 47k ohm	R424	-----	(NU)	R554	119-1511-15	1/10W 150 ohm
R206	119-1031-15	1/10W 10k ohm	R425	-----	(NU)	R555	119-1511-15	1/10W 150 ohm
R207	119-4731-15	1/10W 47k ohm	R426	116-2721-15	1/4W 2.7k ohm	R556	119-1511-15	1/10W 150 ohm
R208	119-3311-15	1/10W 330 ohm	R427	-----	(NU)	R557	119-1541-15	1/10W 150k ohm
R209	119-3311-15	1/10W 330 ohm	R428	119-5611-15	1/10W 560 ohm	R558	119-1541-15	1/10W 150k ohm
R210	119-4731-15	1/10W 47k ohm	R429	119-1031-15	1/10W 10k ohm	R559	119-1541-15	1/10W 150k ohm
R211	119-1031-15	1/10W 10k ohm	R430	116-1831-15	1/4W 18k ohm	R560	119-1541-15	1/10W 150k ohm
R212	119-1031-15	1/10W 10k ohm	R431	119-4721-15	1/10W 4.7k ohm	R561	119-1541-15	1/10W 150k ohm
R213	119-1031-15	1/10W 10k ohm	R432	119-5611-15	1/10W 560 ohm	R562	119-1541-15	1/10W 150k ohm
R214	119-4731-15	1/10W 47k ohm	R433	116-4791-15	1/4W 4.7 ohm	R563	119-1541-15	1/10W 150k ohm
R215	119-4731-15	1/10W 47k ohm	R434	116-4791-15	1/4W 4.7 ohm	R564	119-1541-15	1/10W 150k ohm
R216	-----	(NU)	R436	116-1531-15	1/4W 15k ohm	R565	119-1511-15	1/10W 150 ohm
R217	119-1031-15	1/10W 10k ohm	R437	119-0000-05	1/10W 0 ohm JW	R566	119-1511-15	1/10W 150 ohm
R218	119-1031-15	1/10W 10k ohm	R438	-----	(NU)	R567	119-1511-15	1/10W 150 ohm
R219	119-4731-15	1/10W 47k ohm	R439	117-3941-15	1/8W 390k ohm	R568	119-1511-15	1/10W 150 ohm
R220	119-2231-15	1/10W 22k ohm	R440	117-3941-15	1/8W 390k ohm	R569	119-8211-15	1/10W 820 ohm
R221	-----	(NU)	R443	-----	(NU)	R570	119-8211-15	1/10W 820 ohm
R222	119-1031-15	1/10W 10k ohm	R444	-----	(NU)	R571	119-2721-15	1/10W 2.7k ohm
R223	119-1041-15	1/10W 100k ohm	R445	119-0000-05	1/10W 0 ohm JW	R572	119-2721-15	1/10W 2.7k ohm
R224	119-1031-15	1/10W 10k ohm	R446	-----	(NU)	R573	119-6831-15	1/10W 68k ohm
R225	-----	(NU)	R447	-----	(NU)	R574	119-6831-15	1/10W 68k ohm
R226	119-4731-15	1/10W 47k ohm	R501	119-3331-15	1/10W 33k ohm	R575	119-8221-15	1/10W 8.2k ohm
R227	-----	(NU)	R502	119-3331-15	1/10W 33k ohm	R576	119-4721-15	1/10W 4.7k ohm
R228	119-1031-15	1/10W 10k ohm	R503	119-3331-15	1/10W 33k ohm	R577	119-1031-15	1/10W 10k ohm
R229	119-1021-15	1/10W 1k ohm	R504	119-3331-15	1/10W 33k ohm	R578	119-1031-15	1/10W 10k ohm
R230	119-1031-15	1/10W 10k ohm	R505	119-2231-15	1/10W 22k ohm	R579	119-5131-15	1/10W 51k ohm
R231	-----	(NU)	R506	119-2231-15	1/10W 22k ohm	R580	119-5131-15	1/10W 51k ohm
R232	-----	(NU)	R507	119-2231-15	1/10W 22k ohm	R581	119-5131-15	1/10W 51k ohm
R233	-----	(NU)	R508	119-2231-15	1/10W 22k ohm	R582	119-5131-15	1/10W 51k ohm
R234	-----	(NU)	R509	-----	(NU)	R583	119-1031-15	1/10W 10k ohm
R235	119-1031-15	1/10W 10k ohm	R510	-----	(NU)	R584	119-1031-15	1/10W 10k ohm
R236	119-1041-15	1/10W 100k ohm	R511	-----	(NU)	R585	119-8221-15	1/10W 8.2k ohm
R237	119-4731-15	1/10W 47k ohm	R512	-----	(NU)	R586	119-4721-15	1/10W 4.7k ohm
R238	119-4731-15	1/10W 47k ohm	R513	119-4721-15	1/10W 4.7k ohm	R587	119-6831-15	1/10W 68k ohm
R239	-----	(NU)	R514	119-1031-15	1/10W 10k ohm	R588	119-6831-15	1/10W 68k ohm
R240	119-2231-15	1/10W 22k ohm	R515	119-1031-15	1/10W 10k ohm	R589	119-1031-15	1/10W 10k ohm
R241	119-0000-05	1/10W 0 ohm JW	R516	119-4721-15	1/10W 4.7k ohm	R590	119-1031-15	1/10W 10k ohm
R242	119-3341-15	1/10W 330k ohm	R517	-----	(NU)	R591	119-1031-15	1/10W 10k ohm
R243	119-4731-15	1/10W 47k ohm	R518	-----	(NU)	R592	119-1031-15	1/10W 10k ohm
R244	119-4731-15	1/10W 47k ohm	R519	-----	(NU)	R593	117-1831-15	1/8W 18k ohm
R245	119-0000-05	1/10W 0 ohm JW	R520	-----	(NU)	R594	117-1831-15	1/8W 18k ohm
R301	-----	(NU)	R521	119-4721-15	1/10W 4.7k ohm	R595	117-1031-15	1/8W 10k ohm
R302	-----	(NU)	R522	119-1031-15	1/10W 10k ohm	R596	117-1031-15	1/8W 10k ohm
R309	119-1821-15	1/10W 1.8k ohm	R523	119-1031-15	1/10W 10k ohm	R597	119-4721-15	1/10W 4.7k ohm

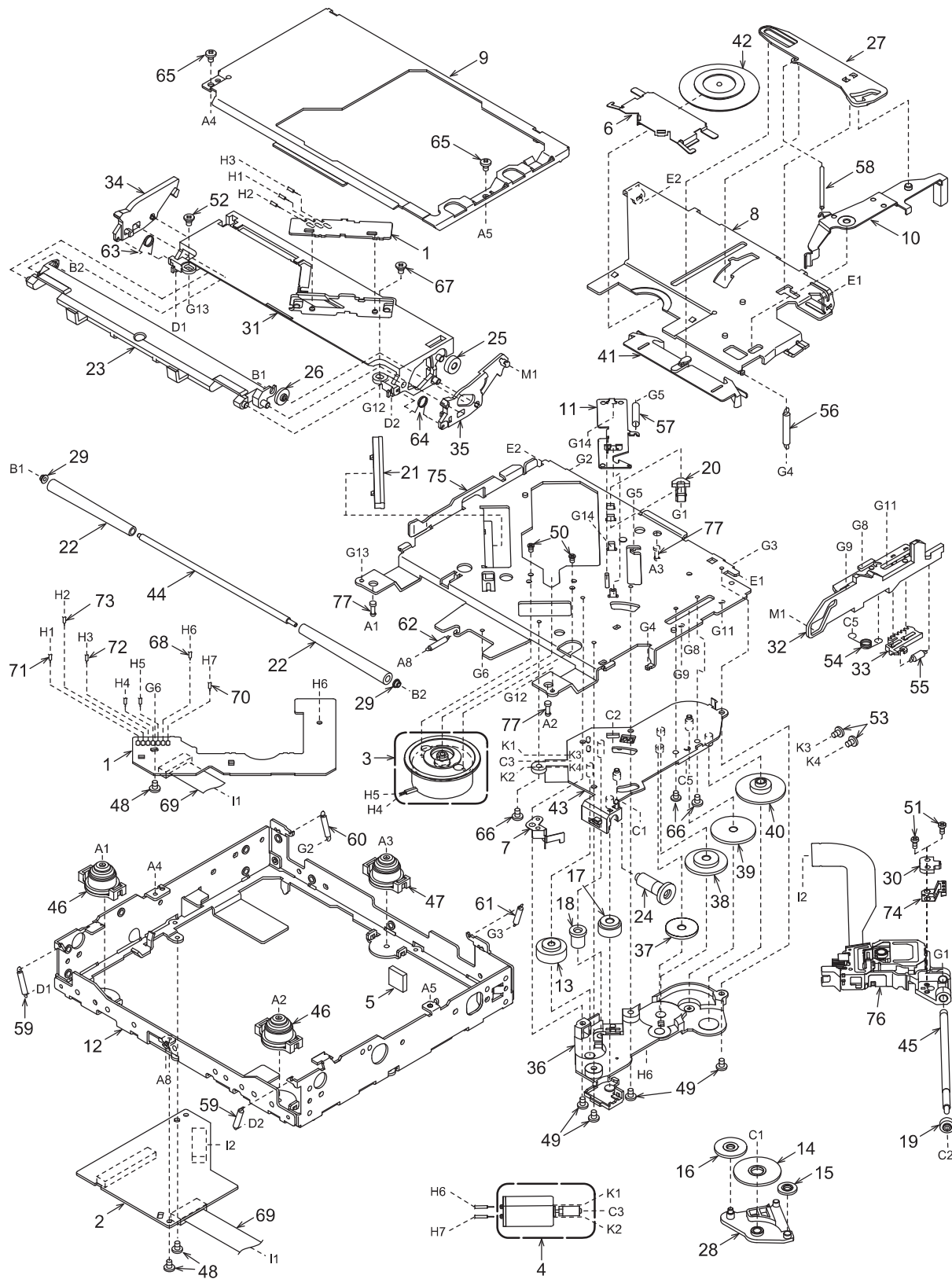
REF No.	PART No.	DESCRIPTION	REF No.	PART No.	DESCRIPTION	REF No.	PART No.	DESCRIPTION
R598	119-6821-15	1/10W 6.8k ohm	TH401	-----	(NU)	VR101	-----	(NU)
R599	119-5111-15	1/10W 510 ohm	TM101	073-0768-90	TERMINAL	VR102	012-6018-56	VR 10k ohm
SUP102	060-0122-90	DSP-201M-S00B	TM102	073-0768-90	TERMINAL	X201	061-1053-00	4.5MHz
TC201	004-1580-40	TZ03R300T169B00	TM401	073-0768-90	TERMINAL	PWB	039-3519-00	PWB(WITHOUT CO MPONENTS)
TC201	-----	(NU)	TM402	073-0768-90	TERMINAL			

Switch PWB(B2) section:

PP-2898V-B/PP-2898H-D/PP-2898H-E

REF No.	PART No.	DESCRIPTION	REF No.	PART No.	DESCRIPTION	REF No.	PART No.	DESCRIPTION
C601	042-0416-59	10V 33uF M TAN	D627	001-7093-91	RFY1112H-16-TR YE L	R603	119-1021-15	1/10W 1k ohm
C602	166-1011-50	100pF CH				R604	119-1021-15	1/10W 1k ohm
C603	168-1042-78	16V 0.1uF K	D628	001-7093-91	RFY1112H-16-TR YE L	R605	119-1021-15	1/10W 1k ohm
C604	168-1042-78	16V 0.1uF K				R606	119-1021-15	1/10W 1k ohm
C605	168-1042-78	16V 0.1uF K	D629	001-7093-91	RFY1112H-16-TR YE L	R607	119-1021-15	1/10W 1k ohm
C606	168-6812-55	680pF K				R608	119-1021-15	1/10W 1k ohm
C607	168-1052-78	16V 1uF K	D630	001-7093-91	RFY1112H-16-TR YE L	R609	119-1021-15	1/10W 68k ohm
C608	168-1042-78	16V 0.1uF K				R610	119-1021-15	1/10W 1k ohm
C609	168-1052-78	16V 1uF K	D631	001-7093-91	RFY1112H-16-TR YE L	R611	119-1021-15	1/10W 1k ohm
CCT601	050-0145-52	1/16W 1k ohm x4				R612	116-2021-15	1/4W 2k ohm
CCT602	050-0145-52	1/16W 1k ohm x4	D632	001-7093-91	RFY1112H-16-TR YE L	R613	116-2421-15	1/4W 2.4k ohm
CCT603	050-0145-52	1/16W 1k ohm x4				R614	119-6831-15	1/10W 68k ohm
D601	-----	(NU)	D633	001-7093-91	RFY1112H-16-TR YE L	R615	116-2421-15	1/4W 2.4k ohm
D602	001-0516-90	MA111				R616	116-3621-15	1/4W 3.6k ohm
D603	-----	(NU)	D634	001-7093-91	RFY1112H-16-TR YE L	R617	116-3621-15	1/4W 3.6k ohm
D604	001-0516-90	MA111				R618	116-1821-15	1/4W 1.8k ohm
D605	-----	(NU)	D635	001-7093-91	RFY1112H-16-TR YE L	R619	116-2421-15	1/4W 2.4k ohm
D606	001-0516-90	MA111				R620	116-2421-15	1/4W 2.4k ohm
D607	-----	(NU)	D636	001-7093-91	RFY1112H-16-TR YE L	R621	116-2221-15	1/4W 2.2k ohm
D608	001-0516-90	MA111				R622	116-3321-15	1/4W 3.3k ohm
D609	001-0516-90	MA111	D637	001-7093-91	RFY1112H-16-TR YE L	R623	-----	(NU)
D610	001-0516-90	MA111				R624	116-2021-15	1/4W 2k ohm
D611	001-0516-90	MA111	D638	001-7093-91	RFY1112H-16-TR YE L	R625	116-3321-15	1/4W 3.3k ohm
D612	001-0516-90	MA111				R626	116-1521-15	1/4W 1.5k ohm
D613	-----	(NU)	D639	001-7093-91	RFY1112H-16-TR YE L	R627	116-1521-15	1/4W 1.5k ohm
D614	-----	(NU)				R628	116-3921-15	1/4W 3.9k ohm
D615	-----	(NU)	D640	001-7093-91	RFY1112H-16-TR YE L	S601	013-6201-53	SKPMAPE010
D616	-----	(NU)				S602	013-6201-53	SKPMAPE010
D617	001-7093-91	RFY1112H-16-TR YE L	D641	001-7093-91	RFY1112H-16-TR YE L	S603	013-6201-53	SKPMAPE010
D618	001-7093-91	RFY1112H-16-TR YE L				S604	013-6201-53	SKPMAPE010
D619	001-7093-91	RFY1112H-16-TR YE L	D642	001-7093-91	RFY1112H-16-TR YE L	S605	013-6201-53	SKPMAPE010
D620	001-7093-91	RFY1112H-16-TR YE L				S606	013-6201-53	SKPMAPE010
D621	001-7093-91	RFY1112H-16-TR YE L	D643	001-7093-91	RFY1112H-16-TR YE L	S607	013-6201-53	SKPMAPE010
D622	001-7093-91	RFY1112H-16-TR YE L				S608	013-6201-53	SKPMAPE010
D623	001-7093-91	RFY1112H-16-TR YE L	D644	001-7093-91	RFY1112H-16-TR YE L	S609	013-6201-53	SKPMAPE010
D624	001-7093-91	RFY1112H-16-TR YE L				S610	013-6201-53	SKPMAPE010
D625	001-7093-91	RFY1112H-16-TR YE L	D645	001-7093-91	RFY1112H-16-TR YE L	S611	013-6201-53	SKPMAPE010
D626	001-7093-91	RFY1112H-16-TR YE L				S612	013-6201-53	SKPMAPE010
			D646	001-7093-91	RFY1112H-16-TR YE L	S613	013-6201-53	SKPMAPE010
						S614	013-6201-53	SKPMAPE010
			D647	001-7093-91	RFY1112H-16-TR YE L	S615	013-6201-53	SKPMAPE010
						TM601	073-0778-90	TERMINAL
			D648	001-7093-91	RFY1112H-16-TR YE L	TM602	073-0778-90	TERMINAL
						PWB	039-3023-00	PWB(WITHOUT CO MPONENTS)
			IC601	051-6000-10	LC75853NE			
			J601	074-3014-64	14P			
			R601	119-1021-15	1/10W 1k ohm			
			R602	119-1021-15	1/10W 1k ohm			

EXPLODED VIEW/PARTS LIST



NO.	PART NO.	DESCRIPTION	Q'TY
1	-----	SENSOR PWB	1
2	-----	CD PWB	1
3	SMA-182-100	SPINDLE MOTOR-ASSY	1
4	SMA-183-100	SLED MOTOR-ASSY	1
5	345-5476-20	CUSHION RUBBER	1
6	620-1023-23	CLAMPER PLATE	1
7	620-1026-21	SPRING PLATE	1
8	620-1596-23	CLAMPER LINK	1
9	620-1862-20	UPPER CHASSIS	1
10	620-1752-20	SENSOR ARM	1
11	620-1753-20	ID-LOCK PLATE	1
12	620-1868-20	LOWER CHASSIS	1
13	621-0608-21	SECOND GEAR	1
14	621-0609-20	BASE GEAR	1
15	621-0610-20	IDLE GEAR A	1
16	621-0611-20	IDLE GEAR B	1
17	621-0612-21	ROLLER GEAR A	1
18	621-0620-20	THREAD GEAR A	1
19	621-0621-20	THREAD GEAR B	1
20	621-0623-23	LS-HOLDER	1
21	621-0624-22	GUIDE RAIL	1
22	621-0711-21	LOADING ROLLER	2
23	621-0718-21	ROLLER GUIDE	1
24	621-0719-20	ROLLER GEAR B	1
25	621-0720-20	ROLLER GEAR C	1
26	621-0721-20	ROLLER GEAR D	1
27	621-0728-20	STOPPER LINK	1
28	621-1719-20	IDLE CASE	1
29	621-1726-20	ROLLER SLEEVE	2
30	621-1729-20	SH-BASE	1
31	621-1742-20	UPPER GUIDE	1
32	621-1743-20	SHIFT LEVER	1
33	621-1744-20	RACK	1
34	621-1745-20	LOCK ARM L	1
35	621-1746-20	LOCK ARM R	1
36	621-1747-20	GEAR COVER	1
37	621-1748-20	POWER GEAR A	1
38	621-1749-20	POWER GEAR B	1
39	621-1750-20	POWER GEAR C	1

NO.	PART NO.	DESCRIPTION	Q'TY
40	621-1751-20	POWER GEAR D	1
41	621-1752-20	DISC STOPPER	1
42	621-1753-20	CLAMPER RING	1
43	621-1754-20	GEAR BASE	1
44	622-1571-21	ROLLER SHAFT	1
45	624-0018-01	LEAD SCREW	1
46	629-0086-20	DAMPER F	2
47	629-0087-20	DAMPER R	1
48	716-1507-01	SCREW(M2x3)	3
49	716-1670-01	SCREW(M2x4)	4
50	716-1733-01	SCREW(M1.7x2.3)	2
51	716-3469-01	SCREW(1.7x4)	2
52	716-3473-01	SCREW(M2x3)	1
53	716-3551-00	SCREW(M1.4x2.5)	2
54	750-7865-20	SHIFT SPRING	1
55	750-7866-20	RACK SPRING	1
56	750-7867-20	CLAMPER SPRING	1
57	750-7868-20	ID-LOCK SPRING	1
58	750-7869-20	SENSOR SPRING	1
59	750-7870-20	DR-SPRING F	2
60	750-7871-20	DR-SPRING RA	1
61	750-7872-20	DR-SPRING RB	1
62	750-7873-20	DR-SPRING C	1
63	750-6797-20	ROLLER SPRING L	1
64	750-6798-20	ROLLER SPRING R	1
65	714-2003-8B	SCREW(M2x3)	2
66	780-2025-00	SCREW(M2x2.5)	3
67	781-1730-00	SCREW(M1.7x3)	1
68	803-4906-60	VINYL-COAT-WIRE(ORG)	1
69	816-4056-50	FLAT WIRE	1
70	816-2590-00	VINYL-COAT-WIRE(GRN)	1
71	816-2591-00	VINYL-COAT-WIRE(YEL)	1
72	816-2592-00	VINYL-COAT-WIRE(BLUE)	1
73	816-2593-00	VINYL-COAT-WIRE(PUR)	1
74	966-1722-20	SH-RACK-ASSY	1
75	-----	DRIVE-PLATE	1
76	969-0075-30	PICKUP-ASSY	1
77	622-1570-21	DAMPER PIN	3

ELECTRICAL PARTS LIST

CD PWB(BM1) section

REF No.	PART No.	DESCRIPTION	REF No.	PART No.	DESCRIPTION	REF No.	PART No.	DESCRIPTION
C1	168-1042-78	16V 0.1uF	C33	046-1532-78	0.015uF B	J301	074-1138-60	SOCKET (10P)
C3	163-2273-05	4V 220uF	C34	168-1042-78	16V 0.1uF	Q1	190-2060-00	2SA2060
C4	168-1042-78	16V 0.1uF	C35	046-6812-58	680pF B	Q2	190-2060-00	2SA2060
C5	163-1073-35	16V 100	C36	168-1042-78	16V 0.1uF	R1	117-6811-15	1/8W 680 ohm
C6	163-1073-35	16V 100	C37	168-1042-78	16V 0.1uF	R2	117-1001-15	1/8W 10ohm
C7	168-1042-78	16V 0.1uF	C38	046-1522-58	1500pF B	R9	033-2211-15	1/10W 220 ohm
C9	168-1052-78	16V 1uF	C39	046-4722-58	4700pF B	R11	033-1051-15	1/10W 1M ohm
C10	042-0560-85	6.3V 100uF	C40	046-1032-78	0.01uF B	R12	119-2221-15	1/10W 2.2k ohm
C11	046-4712-58	470pF B	C41	046-1532-78	0.015uF B	R13	033-2211-15	1/10W 220 ohm
C12	168-1052-78	16V 1uF	C42	045-1011-50	100pF	R14	033-2211-15	1/10W 220 ohm
C13	046-4712-58	470pF B	C43	168-1042-78	16V 0.1uF	R16	033-2231-15	1/10W 22k ohm
C15	168-1042-78	16V 0.1uF	C47	045-4701-50	47pF CH	R17	033-3921-15	1/10W 3.9k ohm
C16	168-4732-78	0.047uF K	C48	168-1042-78	16V 0.1uF	R18	033-3341-15	1/10W 330k ohm
C17	168-4732-78	0.047uF K	C49	168-1042-78	16V 0.1uF	R19	033-5621-15	1/10W 5.6k ohm
C18	168-1042-78	16V 0.1uF	C51	046-5622-58	5600pF B	R21	033-2231-15	1/10W 22k ohm
C19	168-1042-78	16V 0.1uF	C53	045-1201-50	12pF CH	R22	119-4731-15	1/10W 47k ohm
C21	046-6822-58	6800pF B	C54	045-1201-50	12pF CH	R28	033-2031-15	1/10W 20k ohm
C22	046-3332-78	0.033uF B	C60	043-0603-90	16V 10uF	R29	033-3331-15	1/10W 33k ohm
C24	168-1052-78	16V 1uF	C61	043-0603-90	16V 10uF	R32	119-1001-15	1/10W 10 ohm
C25	168-1042-78	16V 0.1uF	C62	043-0603-90	16V 10uF	R33	033-1031-15	1/10W 10k ohm
C26	168-1042-78	16V 0.1uF	C64	043-0603-90	16V 10uF	R34	033-1541-15	1/10W 150k ohm
C27	168-1042-78	16V 0.1uF	CCT2	050-0140-63	1/32W 47k ohm x4J	R35	033-1231-15	1/10W 12k ohm
C28	168-1042-78	16V 0.1uF	D1	001-0367-91	1SS226TE85L	R36	033-1831-15	1/10W 18k ohm
C29	168-1042-78	16V 0.1uF	IC1	051-6101-90	BD8226EFV	TM1	073-0792-90	TERMINAL
C30	045-6801-50	68pF CH	IC2	051-6399-00	TC94A15F	X2	061-3534-90	16.92MHz
C31	168-1042-78	16V 0.1uF	J101	074-1228-76	SOCKET (26P)	PWB	039-3323-20	PWB(WITHOUT COMPONENTS)
C32	168-1042-78	16V 0.1uF	J201	074-1138-65	SOCKET (15P)			

Sensor PWB(BM2) section

REF No.	PART No.	DESCRIPTION	REF No.	PART No.	DESCRIPTION	REF No.	PART No.	DESCRIPTION
D1	001-7058-90	AN1105W-RR	Q1	060-4015-91	PS1192HB-32-TR	S2	013-7413-50	LIMIT
D2	001-7058-90	AN1105W-RR	Q2	060-4015-91	PS1192HB-32-TR	PWB	039-1944-21	PWB(WITHOUT COMPONENTS)
J1	074-1138-60	10P	S1	013-7414-50	CHUCKING			