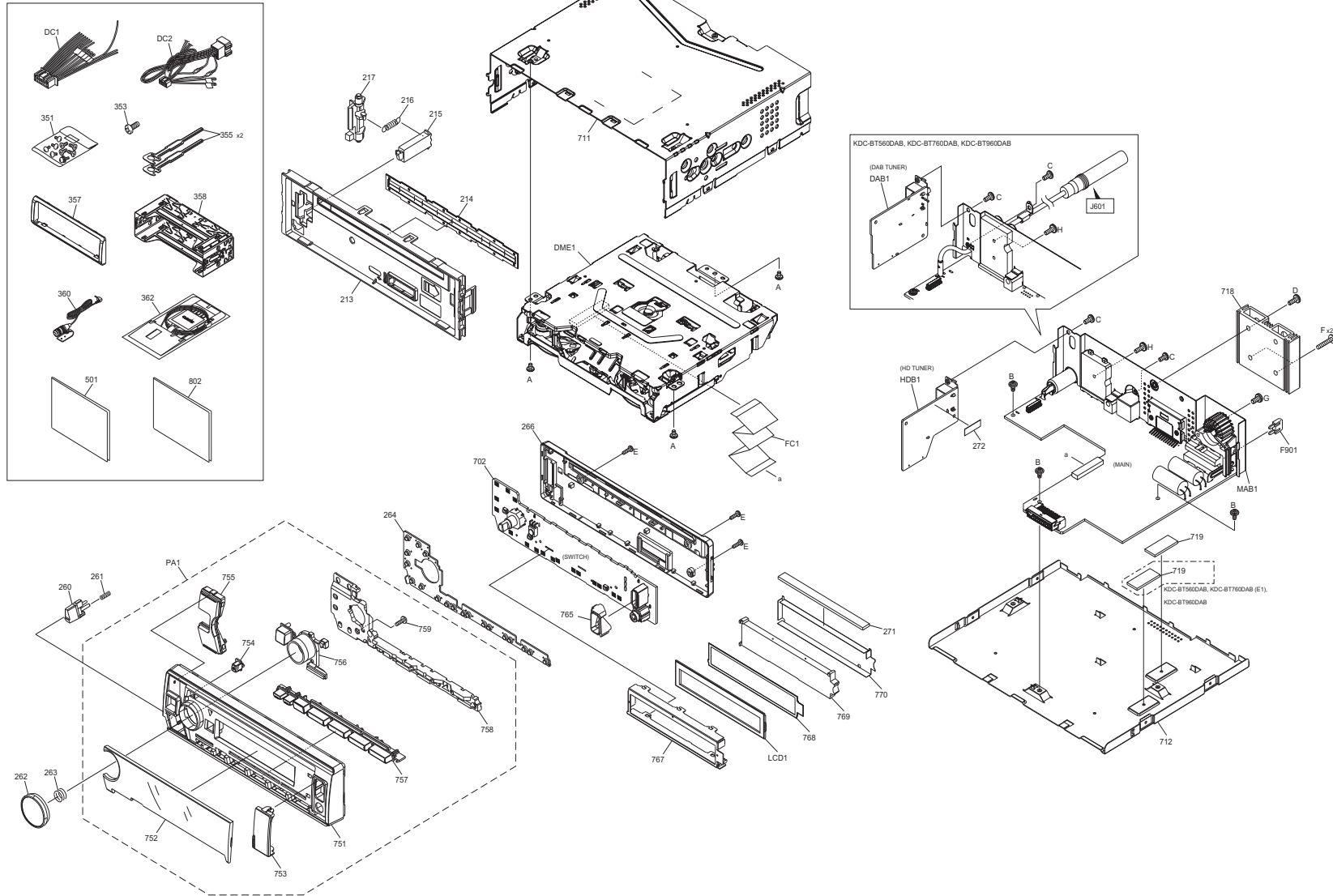


EXPLODED VIEW (UNIT)

Block No.M1MM



Parts with the exploded numbers larger than 700 are not supplied.

| MODEL | MARK | MODEL | MARK | MODEL | MARK | MODEL | MARK |
|--------------|------|--------------|------|--------------|------|----------|------|
| KDC-BT560DAB | E0 | KDC-BT760DAB | E1 | KDC-BT960DAB | E2 | KDC-X705 | K1 |
| KDC-BT782HD | K2 | KDC-BT760DAB | X1 | | | | |

| Safe | Symbol No. | Parts No. | Parts Name | Description | QTY | Local |
|------|------------|-----------|------------|-------------|-----|-------|
|------|------------|-----------|------------|-------------|-----|-------|

EXPLODED VIEW (UNIT) <M1MM>

| | | | | | |
|------|---------------|---------------|-------------|---|-------------|
| DAB1 | XJH-224E-00 | DAB TUNER PWB | XJM-033E-00 | 1 | E0,E1,E2,X1 |
| HDB1 | XJH-225K-00 | HD TUNER PWB | XJM-035K-00 | 1 | K1,K2 |
| MAB1 | CB-XJ1390E00N | MAIN PWB | XJ1-390E-00 | 1 | E0 |
| MAB1 | CB-XJ1390E01N | MAIN PWB | XJ1-390E-01 | 1 | E1 |
| MAB1 | CB-XJ1390E02N | MAIN PWB | XJ1-390E-02 | 1 | E2 |
| MAB1 | CB-XJ1390K01N | MAIN PWB | XJ1-390K-01 | 1 | K1 |
| MAB1 | CB-XJ1390K02N | MAIN PWB | XJ1-390K-02 | 1 | K2 |
| MAB1 | CB-XJ1390X01N | MAIN PWB | XJ1-390X-01 | 1 | X1 |
| FC1 | E3G-0112-00 | FFC WIRE | | 1 | |
| DC1 | E3A-0324-00 | DC CORD | | 1 | K1,K2,X1 |
| DC2 | E3A-0320-00 | DC CORD | | 1 | E0,E1,E2 |
| DME1 | XJH-207W-00 | CD MECHA ASSY | | 1 | |
| F901 | FZB10BT-100 | BLADE FUSE | | 1 | |
| LCD1 | B3H-0168-00 | LCD | | 1 | |
| PA1 | A6D-0157-0V | PANEL ASSY | | 1 | E0 |
| PA1 | A6D-0157-0W | PANEL ASSY | | 1 | E1 |
| PA1 | A6D-0157-0X | PANEL ASSY | | 1 | E2 |
| PA1 | A6D-0157-0S | PANEL ASSY | | 1 | K1 |
| PA1 | A6D-0157-0T | PANEL ASSY | | 1 | K2 |
| PA1 | A6D-0175-00 | PANEL ASSY | | 1 | X1 |

| | | | | | |
|-----|--------------|----------------|---------------|---|-------------|
| A | QYSDST2604ZA | TAP SCREW | M2.6 x 4.0mm | 3 | |
| B | LV41200-004A | SPECIAL SCREW | | 3 | |
| C | QYSDST2606ZA | TAP SCREW | M2.6 x 6.0mm | 2 | |
| D | QYSDST2608ZA | TAP SCREW | M2.6 x 8.0mm | 1 | |
| E | QYSDSF2008ZA | TAP SCREW | M2.0 x 8.0mm | 3 | |
| F | QYSDST2610ZA | TAP SCREW | M2.6 x 10.0mm | 2 | |
| G | QYSPSG3008ZA | TAP SCREW | M3.0 x 8.0mm | 1 | |
| H | QYSDSF2608ZA | TAP SCREW | M2.6 x 8.0mm | 1 | |
| 213 | A2C-0067-05 | SUB PANEL | | 1 | |
| 214 | F1K-0050-00 | BLIND PLATE | | 1 | |
| 215 | D1A-0023-00 | LEVER | | 1 | |
| 216 | G0A-0027-00 | EXTEN.SPRING | | 1 | |
| 217 | D1A-0022-00 | LEVER | | 1 | |
| 260 | K2K-0388-00 | KNOB | | 1 | |
| 261 | GE30999-013A | COMP. SPRING | | 1 | |
| 262 | K2K-0215-02 | KNOB BASE | | 1 | E0,E2 |
| 262 | K2K-0215-01 | KNOB BASE | | 1 | E1,K1,K2,X1 |
| 263 | GE40127-005A | KNOB SPRING | | 1 | |
| 264 | E2K-0069-00 | CONDUCT RUBBER | | 1 | |
| 266 | A4G-0095-00 | REAR COVER | | 1 | |

| | | | | | |
|-----|--------------|-----------------|-----------------|---|-------------|
| 271 | E2K-0029-00 | CONDUCT RUBBER | | 1 | |
| 351 | GE40531-001A | SCREW SET | | 1 | K1,K2 |
| 353 | QYSPSF2008ZA | TAP SCREW | M2.0 x 8.0mm | 1 | K1,K2 |
| 355 | GE40685-001A | HOOK | | 2 | |
| 357 | B0H-0014-04 | ESCUTCHEON | | 1 | E0,K2 |
| 357 | B0H-0013-06 | ESCUTCHEON | | 1 | E1,E2,K1,X1 |
| 358 | GE20362-002A | MOUNTING SLEEVE | | 1 | |
| 360 | T9B-0092-00 | MICROPHONE | | 1 | |
| 362 | T9A-0056-00 | ANTENNA ASSY | | 1 | E0,E1,E2,X1 |
| 501 | B5A-3895-00 | INST.MANUAL | | 1 | X1 |
| 702 | XJ6-162K-01 | SWITCH UNIT XJ6 | | 1 | E0,E1,E2,X1 |
| 702 | XJ6-162J-01 | SWITCH UNIT XJ6 | | 1 | K1,K2 |
| 711 | ----- | TOP COVER | NO SERVICE PART | 1 | E0,E1,E2 |
| 711 | ----- | TOP COVER | NO SERVICE PART | 1 | K1,K2,X1 |
| 712 | ----- | BOTTOM PLATE | NO SERVICE PART | 1 | |
| 718 | ----- | HEAT SINK | NO SERVICE PART | 1 | |
| 719 | ----- | COOL SHEET | NO SERVICE PART | 2 | E0,E1,E2 |
| 719 | ----- | COOL SHEET | NO SERVICE PART | 1 | K1,K2,X1 |
| 751 | ----- | PANEL | NO SERVICE PART | 1 | E0,E2 |
| 751 | ----- | PANEL | NO SERVICE PART | 1 | E1,K1,X1 |

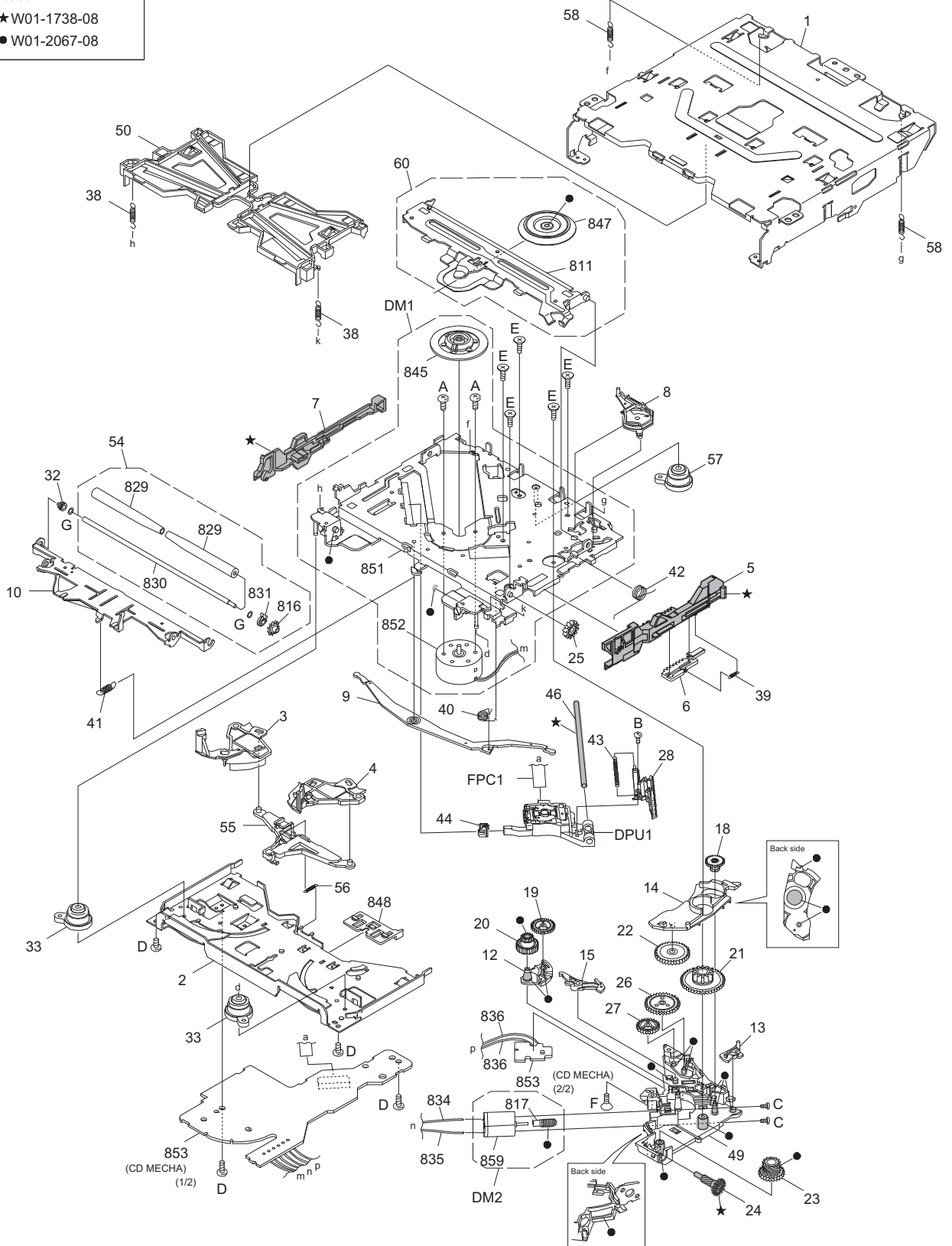
| | | | | | |
|-----|-------|-----------------|-----------------|---|----------|
| 751 | ----- | PANEL | NO SERVICE PART | 1 | K2 |
| 752 | ----- | FRONT GLASS | NO SERVICE PART | 1 | E0 |
| 752 | ----- | FRONT GLASS | NO SERVICE PART | 1 | E1,X1 |
| 752 | ----- | FRONT GLASS | NO SERVICE PART | 1 | E2 |
| 752 | ----- | FRONT GLASS | NO SERVICE PART | 1 | K1 |
| 752 | ----- | FRONT GLASS | NO SERVICE PART | 1 | K2 |
| 753 | ----- | COVER | NO SERVICE PART | 1 | |
| 754 | ----- | PUSH KNOB | NO SERVICE PART | 1 | |
| 755 | ----- | KNOB ASSY | NO SERVICE PART | 1 | E0,E1,E2 |
| 755 | ----- | KNOB ASSY | NO SERVICE PART | 1 | K1,X1 |
| 756 | ----- | PUSH KNOB | NO SERVICE PART | 1 | |
| 757 | ----- | PUSH KNOB | NO SERVICE PART | 1 | |
| 758 | ----- | LIGHTING BOARD | NO SERVICE PART | 1 | |
| 759 | ----- | TAP SCREW | NO SERVICE PART | 1 | |
| 765 | ----- | LIGHTING BOARD | NO SERVICE PART | 1 | |
| 767 | ----- | LCD CASE | NO SERVICE PART | 1 | |
| 768 | ----- | OPTL.DIFFUSER | NO SERVICE PART | 1 | |
| 769 | ----- | LIGHTING BOARD | NO SERVICE PART | 1 | |
| 770 | ----- | REF.SHEET | NO SERVICE PART | 1 | |
| 802 | ----- | SUB-INST.MANUAL | NO SERVICE PART | 1 | E0,E1,E2 |

| | | | | | |
|-----|-------|-----------------|-----------------|---|-------|
| 802 | ----- | SUB-INST.MANUAL | NO SERVICE PART | 1 | K1,K2 |
|-----|-------|-----------------|-----------------|---|-------|

EXPLODED VIEW (CD MECHANISM: XJH-207W-00/FC2-3B00NXN)

Block No.MBMM

- Grease
- ★ W01-1738-08
 - W01-2067-08



Parts with the exploded numbers larger than 800 are not supplied.

| MODEL | MARK | MODEL | MARK | MODEL | MARK | MODEL | MARK |
|--------------|------|--------------|------|--------------|------|----------|------|
| KDC-BT560DAB | E0 | KDC-BT760DAB | E1 | KDC-BT960DAB | E2 | KDC-X705 | K1 |
| KDC-BT782HD | K2 | KDC-BT760DAB | X1 | | | | |

| Safe | Symbol No. | Parts No. | Parts Name | Description | QTY | Local |
|------|------------|-----------|------------|-------------|-----|-------|
|------|------------|-----------|------------|-------------|-----|-------|

EXPLODED VIEW (CD MECHANISM: XJH-207W-00) <MBMM>

| | | | | | | |
|------|---------------|-----------------|--------------|--|---|--|
| FPC1 | QAL1465-001 | FPC | | | 1 | |
| DM1 | CM-FC2-MD | M.CHASSIS ASSY | | | 1 | |
| DM2 | CM-FC2-M | R.MOTOR ASSY | | | 1 | |
| DPU1 | T2F-0002-00 | CD OPT PICKUP | | | 1 | |
| A | LV45568-001A | MINI SCREW | | | 2 | |
| B | QYSPSGT1745ZA | TAP SCREW | M1.7 x 4.5mm | | 1 | |
| C | QYSPSPT2025MA | SCREW | M2.0 x 2.5mm | | 2 | |
| D | VKZ4539-054 | MINI SCREW | | | 4 | |
| E | LV45818-001A | G.HOLDER SCREW | | | 5 | |
| F | LV45815-001A | M. SHAFT SCREW | | | 1 | |
| G | LV45816-001A | ROLLER WASHER | | | 2 | |
| 1 | LV11877-003A | OUTER CHASSIS | | | 1 | |
| 2 | LV11878-006A | LOWER CHASSIS | | | 1 | |
| 3 | LV3A174-002A | DISC ARM L | | | 1 | |
| 4 | LV3A175-001A | DISC ARM R | | | 1 | |
| 5 | LV23057-001A | SLIDER R | | | 1 | |
| 6 | LV3A178-001A | TRIGGER SLIDER | | | 1 | |
| 7 | LV23058-001A | SLIDER L | | | 1 | |
| 8 | LV3A179-002A | TRIGGER ARM | | | 1 | |
| 9 | LV3A173-001A | JOINT LEVER | | | 1 | |
| 10 | LV23055-003A | ROLLER LEVER | | | 1 | |
| 12 | LV3A181-002A | TRANSFER ARM | | | 1 | |
| 13 | LV45797-002A | SL LOCK CAM | | | 1 | |
| 14 | LV3A182-003A | SL LOCK ARM | | | 1 | |
| 15 | LV3A183-001A | PICK LOCK ARM | | | 1 | |
| 18 | LV3A187-002A | HELICAL GEAR 1 | | | 1 | |
| 19 | LV3A188-001A | TRANSFER GEAR | | | 1 | |
| 20 | LV3A189-001A | LOAD GEAR H | | | 1 | |
| 21 | LV3A190-001A | DRIVE GEAR | | | 1 | |
| 22 | LV3A191-001A | JOINT GEAR | | | 1 | |
| 23 | LV3A192-001A | WORM GEAR 2 | | | 1 | |
| 24 | LV3A193-001A | HELICAL GEAR 2 | | | 1 | |
| 25 | LV3A194-001A | LOAD GEAR V | | | 1 | |
| 26 | LV3A195-001A | PICK GEAR 1 | | | 1 | |
| 27 | LV3A196-001A | PICK GEAR 2 | | | 1 | |
| 28 | D1D-0090-00 | RACK GEAR | | | 1 | |
| 32 | LV45796-001A | R.RETAINER L | | | 1 | |
| 33 | D3K-0013-00 | DAMPER | | | 2 | |
| 38 | LV45809-001A | FLOAT SPRING(F) | | | 2 | |
| 39 | LV45810-001A | TRIGGER SPRING | | | 1 | |
| 40 | LV45811-001A | LOAD SPRING | | | 1 | |
| 41 | LV45812-001A | ROLLER SPRING | | | 1 | |
| 42 | LV45813-002A | CLAMP SPRING | | | 1 | |
| 43 | LV45814-001A | PICK SPRING | | | 1 | |
| 44 | LV36813-302A | SUB GUIDE CAP | | | 1 | |
| 46 | D2B-0037-00 | SHAFT | | | 1 | |
| 49 | LV11881-002A | GEAR HOLDER | | | 1 | |
| 50 | LV11880-004A | DISC GUIDE | | | 1 | |
| 54 | CM-FC2-R | ROLLER ASSY | | | 1 | |
| 55 | D1A-0100-00 | ARM | | | 1 | |
| 56 | G0A-0138-00 | EXTEN.SPRING | | | 1 | |
| 57 | D3K-0014-00 | DAMPER | | | 1 | |
| 58 | LV45835-001A | FLOAT SPRING(R) | | | 2 | |
| 60 | LV3A271-002A | CL BASE ASSY | | | 1 | |
| 811 | ----- | CLAMP ARM | | | 1 | |
| 816 | ----- | ROLLER GEAR | | | 1 | |
| 817 | ----- | WORM GEAR 1 | | | 1 | |
| 829 | ----- | ROLLER | | | 2 | |
| 830 | ----- | ROLLER SHAFT | | | 1 | |
| 831 | ----- | R.RETAINER R | | | 1 | |
| 834 | ----- | SIN TWIST WIRE | | | 1 | |
| 835 | ----- | SIN TWIST WIRE | | | 1 | |
| 836 | ----- | SIN TWIST WIRE | | | 2 | |
| 845 | ----- | HC TURN TABLE | | | 1 | |
| 847 | ----- | CLAMPER | | | 1 | |
| 848 | ----- | WIRE HOLDER | | | 1 | |
| 851 | ----- | MD CHASSIS ASSY | | | 1 | |
| 852 | ----- | SPINDLE MOTOR | | | 1 | |
| 853 | ----- | CD MECHA PWB | | | 1 | |
| 859 | ----- | MOTOR | | | 1 | |

| MODEL | MARK | MODEL | MARK | MODEL | MARK | MODEL | MARK |
|--------------|------|--------------|------|--------------|------|----------|------|
| KDC-BT560DAB | E0 | KDC-BT760DAB | E1 | KDC-BT960DAB | E2 | KDC-X705 | K1 |
| KDC-BT782HD | K2 | KDC-BT760DAB | X1 | | | | |

| Safe | Symbol No. | Parts No. | Parts Name | Description | QTY | Local |
|--|------------|---------------|-----------------|--------------|-----|----------------|
| MAIN PWB ASSY (XJ1-390x-0x) <XJ1> | | | | | | |
| | IC161 | BD37069FV-M | ANALOG IC | | 1 | |
| | IC162 | NJM11100F1 | ANALOG IC | | 1 | |
| | IC165 | NJW4190R-A | ANALOG IC | | 1 | E2,K1,K2 |
| | IC220 | NJM8065V | ANALOG IC | | 1 | |
| | IC301 | TB2996HQ | ANALOG IC | | 1 | |
| | IC411 | MFI343S00177 | MCU IC | | 1 | |
| | IC470 | TC7SH08FUJC | MOS IC | | 1 | K1,K2 |
| | IC540 | MP9943AGQ | ANALOG IC | | 1 | |
| | IC701 | STA1090HOA3 | MPU IC | | 1 | |
| | IC702 | TC7SH08FUJC | MOS IC | | 1 | |
| | IC821 | W3F-0627-00 | ROM IC | | 1 | E0,E1,E2,X1 |
| | IC821 | W3F-0628-00 | ROM IC | | 1 | K1,K2 |
| | IC822 | W25Q16JVSSIM | ROM IC | | 1 | |
| | IC831 | IC-PST8428U | MOS IC | | 1 | |
| | IC841 | IC-PST8428U | MOS IC | | 1 | |
| | IC890 | TPS25221DBV | MOS IC | | 1 | |
| | IC901 | BD49105RFS-M | ANALOG IC | | 1 | |
| | IC1901 | M12L1218A6BIS | DRAM IC | | 1 | |
| | IC1902 | M12L1218A6BIS | DRAM IC | | 1 | |
| | Q220 | LSCR523UBFS8 | TRANSISTOR | | 1 | |
| | Q250 | 2SD2114K/VW/ | TRANSISTOR | | 1 | |
| | Q260 | 2SD2114K/VW/ | TRANSISTOR | | 1 | E0,E1,X1 |
| | Q270 | LTA014EEBFS8 | DIGI TRANSISTOR | | 1 | |
| | Q271 | LSAR523UBFS8 | TRANSISTOR | | 1 | |
| | Q272 | LTC024EEBFS8 | DIGI TRANSISTOR | | 1 | |
| | Q273 | LTA014EEBFS8 | DIGI TRANSISTOR | | 1 | |
| | Q274 | LTC024EEBFS8 | DIGI TRANSISTOR | | 1 | |
| | Q320 | 2SD2114K/VW/ | TRANSISTOR | | 1 | E1,E2,K1,K2,X1 |
| | Q330 | 2SD2114K/VW/ | TRANSISTOR | | 1 | E1,E2,K1,K2,X1 |
| | Q340 | 2SD2114K/VW/ | TRANSISTOR | | 1 | E2,K1,K2 |
| | Q350 | 2SD2114K/VW/ | TRANSISTOR | | 1 | E2,K1,K2 |
| | Q470 | LTC014EEBFS8 | DIGI TRANSISTOR | | 1 | K1,K2 |
| | Q471 | LTC043TEBFS8 | DIGI TRANSISTOR | | 1 | K1,K2 |
| | Q500 | KRC401P | DIGI TRANSISTOR | | 1 | |
| | Q901 | KRC407E-P | DIGI TRANSISTOR | | 1 | E0,E1,E2,X1 |
| | Q902 | RE1C002ZP | FET | | 1 | E0,E1,E2,X1 |
| | Q903 | KRC407E-P | DIGI TRANSISTOR | | 1 | |
| | Q904 | RE1C002ZP | FET | | 1 | |
| | Q920 | KRA307E-P | TRANSISTOR | | 1 | |
| | Q960 | RQ6E030AT | FET | | 1 | |
| | Q961 | LTC044EUBFS8 | DIGI TRANSISTOR | | 1 | |
| | D220 | UDZV6.8B | ZENER DIODE | | 1 | |
| | D221 | UDZV6.8B | ZENER DIODE | | 1 | |
| | D222 | UDZV5.6B | ZENER DIODE | | 1 | |
| | D271 | BAW56-TP | DIODE ARRAY | | 1 | |
| | D273 | 1SS355-HF | DIODE | | 1 | |
| | D370 | BAW56-TP | DIODE ARRAY | | 1 | |
| | D390 | SM5818PL | SCHOTTKY DIODE | | 1 | |
| | D391 | MBR0530 | DIODE | | 1 | |
| | D400 | RB521SM-40 | DIODE | | 1 | |
| | D401 | UDZV5.1B | ZENER DIODE | | 1 | |
| | D540 | SMD24PL | SCHOTTKY DIODE | | 1 | |
| | D902 | SK34A-L | SCHOTTKY DIODE | | 1 | |
| | D903 | SK34A-L | SCHOTTKY DIODE | | 1 | |
| | D904 | GS1J-LTP | DIODE | | 1 | |
| | D905 | GS1J-LTP | DIODE | | 1 | |
| | D906 | SK34A-L | SCHOTTKY DIODE | | 1 | |
| | D907 | SK34A-L | SCHOTTKY DIODE | | 1 | |
| | D908 | SK34A-L | SCHOTTKY DIODE | | 1 | |
| | D991 | GN3XB | DIODE | | 1 | |
| | C101 | CK73JXR1H332K | C CAPACITOR | 3300pF 50V K | 1 | |
| | C102 | CK73JXR1H332K | C CAPACITOR | 3300pF 50V K | 1 | |
| | C103 | CK73GXR1C475K | C CAPACITOR | 4.7uF 16V K | 1 | |
| | C104 | CK73FXR1C106K | C CAPACITOR | 10uF 16V K | 1 | |
| | C105 | CK73GXR1C475K | C CAPACITOR | 4.7uF 16V K | 1 | |
| | C106 | CK73HXR1A105K | C CAPACITOR | 1uF 10V K | 1 | |
| | C161 | CE32BJ1V4R7M | E CAPACITOR | 4.7uF 35V M | 1 | |
| | C162 | CE32BJ1V4R7M | E CAPACITOR | 4.7uF 35V M | 1 | |
| | C163 | CE32BJ1V4R7M | E CAPACITOR | 4.7uF 35V M | 1 | |
| | C164 | CE32BJ1V4R7M | E CAPACITOR | 4.7uF 35V M | 1 | |
| | C165 | CE32BJ1V4R7M | E CAPACITOR | 4.7uF 35V M | 1 | |
| | C166 | CE32BJ1V4R7M | E CAPACITOR | 4.7uF 35V M | 1 | |
| | C167 | CK73GXR1C475K | C CAPACITOR | 4.7uF 16V K | 1 | |
| | C168 | CK73GXR1C475K | C CAPACITOR | 4.7uF 16V K | 1 | |
| | C169 | CE32BY1C470M | E CAPACITOR | 47uF 16V M | 1 | |
| | C170 | CE32CL1C100M | E CAPACITOR | 10uF 16V M | 1 | |
| | C171 | CE32BM1E470M | E CAPACITOR | 47uF 25V M | 1 | E2,K1,K2 |
| | C175 | CK73JXR1H103K | C CAPACITOR | 0.01uF 50V K | 1 | |
| | C177 | CK73GXR1A106K | C CAPACITOR | 10uF 10V K | 1 | |
| | C181 | CK73FXR1C106K | C CAPACITOR | 10uF 16V K | 1 | E2,K1,K2 |
| | C183 | CK73HXR1C105K | C CAPACITOR | 1uF 16V K | 1 | E2,K1,K2 |
| | C187 | CK73HXR1C105K | C CAPACITOR | 1uF 16V K | 1 | E2,K1,K2 |
| | C188 | CK73GXR1E105K | C CAPACITOR | 1uF 25V K | 1 | E2,K1,K2 |
| | C221 | CK73HXR0J225K | C CAPACITOR | 2.2uF 6.3V K | 1 | |
| | C222 | CK73HXR1C224K | C CAPACITOR | 0.22uF 16V K | 1 | |
| | C223 | CK73HXR1C224K | C CAPACITOR | 0.22uF 16V K | 1 | |
| | C224 | CK73HXR0J225K | C CAPACITOR | 2.2uF 6.3V K | 1 | |
| | C225 | CK73HXR0J225K | C CAPACITOR | 2.2uF 6.3V K | 1 | |
| | C226 | CC73JCH1H220J | C CAPACITOR | 22pF 50V J | 1 | |
| | C227 | CC73HCH1H151J | C CAPACITOR | 150pF 50V J | 1 | |

| | | | | | | | |
|--------------|------|--------------|------|--------------|------|----------|------|
| MODEL | MARK | MODEL | MARK | MODEL | MARK | MODEL | MARK |
| KDC-BT560DAB | E0 | KDC-BT760DAB | E1 | KDC-BT960DAB | E2 | KDC-X705 | K1 |
| KDC-BT782HD | K2 | KDC-BT760DAB | X1 | | | | |

| Safe | Symbol No. | Parts No. | Parts Name | Description | QTY | Local |
|------|------------|---------------|-------------|---------------|-----|----------------|
| | C228 | CK73HXR0J225K | C CAPACITOR | 2.2uF 6.3V K | 1 | |
| | C229 | CK73HXR0J225K | C CAPACITOR | 2.2uF 6.3V K | 1 | |
| | C230 | CK73HXR1A105K | C CAPACITOR | 1uF 10V K | 1 | |
| | C231 | CC73HCH1H151J | C CAPACITOR | 150pF 50V J | 1 | |
| | C234 | CK73HXR1A105K | C CAPACITOR | 1uF 10V K | 1 | |
| | C235 | CK73HXR1A105K | C CAPACITOR | 1uF 10V K | 1 | |
| | C236 | CK73HXR0J225K | C CAPACITOR | 2.2uF 6.3V K | 1 | |
| | C252 | CK730DK1E106K | C CAPACITOR | 10uF 25V K | 1 | |
| | C262 | CK730DK1E106K | C CAPACITOR | 10uF 25V K | 1 | E0,E1,X1 |
| | C273 | CK73HXR1A105K | C CAPACITOR | 1uF 10V K | 1 | |
| | C304 | CE32CL1E330M | E CAPACITOR | 33uF 25V M | 1 | |
| | C311 | CK73GXR1C475K | C CAPACITOR | 4.7uF 16V K | 1 | |
| | C312 | CK73HXR1E474K | C CAPACITOR | 0.47uF 25V K | 1 | |
| | C313 | CK73HXR1E474K | C CAPACITOR | 0.47uF 25V K | 1 | |
| | C316 | CK73HXR1E474K | C CAPACITOR | 0.47uF 25V K | 1 | |
| | C317 | CK73HXR1E474K | C CAPACITOR | 0.47uF 25V K | 1 | |
| | C318 | CK73HXR1E474K | C CAPACITOR | 0.47uF 25V K | 1 | |
| | C319 | CK73HXR1E474K | C CAPACITOR | 0.47uF 25V K | 1 | |
| | C322 | CK730DK1E106K | C CAPACITOR | 10uF 25V K | 1 | E1,E2,K1,K2,X1 |
| | C324 | CK73JXR1E104K | C CAPACITOR | 0.1uF 25V K | 1 | |
| | C332 | CK730DK1E106K | C CAPACITOR | 10uF 25V K | 1 | E1,E2,K1,K2,X1 |
| | C333 | CK73HXR1E474K | C CAPACITOR | 0.47uF 25V K | 1 | |
| | C334 | CK73HXR1E474K | C CAPACITOR | 0.47uF 25V K | 1 | |
| | C335 | CK73HXR1E474K | C CAPACITOR | 0.47uF 25V K | 1 | |
| | C336 | CK73HXR1E474K | C CAPACITOR | 0.47uF 25V K | 1 | |
| | C342 | CK730DK1E106K | C CAPACITOR | 10uF 25V K | 1 | E2,K1,K2 |
| | C352 | CK730DK1E106K | C CAPACITOR | 10uF 25V K | 1 | E2,K1,K2 |
| | C370 | CK73JXR1C224K | C CAPACITOR | 0.22uF 16V K | 1 | |
| | C391 | CK73HXR1C105K | C CAPACITOR | 1uF 16V K | 1 | |
| | C410 | CK73JXR0J224K | C CAPACITOR | 0.22uF 6.3V K | 1 | |
| | C472 | CK73JXR1E104K | C CAPACITOR | 0.1uF 25V K | 1 | K1,K2 |
| | C473 | CK73FXR1C106K | C CAPACITOR | 10uF 16V K | 1 | K1,K2 |
| | C474 | CK73GXR1C225K | C CAPACITOR | 2.2uF 16V K | 1 | K1,K2 |
| | C475 | CK73GXR1C225K | C CAPACITOR | 2.2uF 16V K | 1 | K1,K2 |
| | C540 | CE32CC1A151M | E CAPACITOR | 150uF 10V M | 1 | |
| | C542 | CK73JXR1C224K | C CAPACITOR | 0.22uF 16V K | 1 | |
| | C543 | CK73HXR1C105K | C CAPACITOR | 1uF 16V K | 1 | |
| | C544 | CK73JXR1H471K | C CAPACITOR | 470pF 50V K | 1 | |
| | C545 | CK73FXR1C106K | C CAPACITOR | 10uF 16V K | 1 | |
| | C547 | CK73JXR0J224K | C CAPACITOR | 0.22uF 6.3V K | 1 | |
| | C548 | CK73JXR0J224K | C CAPACITOR | 0.22uF 6.3V K | 1 | |
| | C549 | CK73JXR0J224K | C CAPACITOR | 0.22uF 6.3V K | 1 | |
| | C550 | CC73JCH1H150J | C CAPACITOR | 15pF 50V J | 1 | |
| | C601 | CC73HCH1H010C | C CAPACITOR | 1pF 50V C | 1 | |
| | C625 | CK73JXR1H472K | C CAPACITOR | 4700pF 50V K | 1 | |
| | C626 | CK73GXR0J106K | C CAPACITOR | 10uF 6.3V K | 1 | |
| | C627 | CK73HXR1C105K | C CAPACITOR | 1uF 16V K | 1 | |
| | C628 | CK73HXR1C105K | C CAPACITOR | 1uF 16V K | 1 | |
| | C680 | CK73GXR0J225K | C CAPACITOR | 2.2uF 6.3V K | 1 | |
| | C701 | CK73JXR1H471K | C CAPACITOR | 470pF 50V K | 1 | |
| | C702 | CK73GXR1A106K | C CAPACITOR | 10uF 10V K | 1 | |
| | C703 | CK73JXR1H103K | C CAPACITOR | 0.01uF 50V K | 1 | |
| | C704 | CC73JCH1H180J | C CAPACITOR | 18pF 50V J | 1 | |
| | C705 | CC73JCH1H180J | C CAPACITOR | 18pF 50V J | 1 | |
| | C706 | CK73GXR1A106K | C CAPACITOR | 10uF 10V K | 1 | |
| | C707 | CK73JXR1H103K | C CAPACITOR | 0.01uF 50V K | 1 | |
| | C708 | CC73JCH1H101J | C CAPACITOR | 100pF 50V J | 1 | |
| | C710 | CK73JXR1H222K | C CAPACITOR | 2200pF 50V K | 1 | |
| | C711 | CC73JCH1H100D | C CAPACITOR | 10pF 50V D | 1 | |
| | C713 | CK73HXR1A105K | C CAPACITOR | 1uF 10V K | 1 | |
| | C714 | CK73JXR1H103K | C CAPACITOR | 0.01uF 50V K | 1 | |
| | C715 | CC73JCH1H101J | C CAPACITOR | 100pF 50V J | 1 | |
| | C716 | CK73JXR1H472K | C CAPACITOR | 4700pF 50V K | 1 | |
| | C717 | CK73JXR1H471K | C CAPACITOR | 470pF 50V K | 1 | |
| | C719 | CK73HXR1A105K | C CAPACITOR | 1uF 10V K | 1 | |
| | C721 | CC73JCH1H101J | C CAPACITOR | 100pF 50V J | 1 | |
| | C722 | CK73GXR1A106K | C CAPACITOR | 10uF 10V K | 1 | |
| | C723 | CK73HXR1A105K | C CAPACITOR | 1uF 10V K | 1 | |
| | C724 | CK73JXR1H103K | C CAPACITOR | 0.01uF 50V K | 1 | |
| | C725 | CK73GXR1A106K | C CAPACITOR | 10uF 10V K | 1 | |
| | C726 | CK73JXR1H103K | C CAPACITOR | 0.01uF 50V K | 1 | |
| | C727 | CK73GXR1A106K | C CAPACITOR | 10uF 10V K | 1 | |
| | C728 | CC73JCH1H101J | C CAPACITOR | 100pF 50V J | 1 | |
| | C729 | CK73GXR1C475K | C CAPACITOR | 4.7uF 16V K | 1 | |
| | C730 | CC73JCH1H101J | C CAPACITOR | 100pF 50V J | 1 | |
| | C731 | CK73GXR1C475K | C CAPACITOR | 4.7uF 16V K | 1 | |
| | C733 | CK73GXR1C475K | C CAPACITOR | 4.7uF 16V K | 1 | |
| | C735 | CK73JXR1H472K | C CAPACITOR | 4700pF 50V K | 1 | |
| | C736 | CC73JCH1H070D | C CAPACITOR | 7pF 50V D | 1 | |
| | C737 | CC73JCH1H080D | C CAPACITOR | 8pF 50V D | 1 | |
| | C738 | CK73JXR1H472K | C CAPACITOR | 4700pF 50V K | 1 | |
| | C740 | CC73JCH1H101J | C CAPACITOR | 100pF 50V J | 1 | |
| | C741 | CC73JCH1H100D | C CAPACITOR | 10pF 50V D | 1 | |
| | C742 | CC73JCH1H101J | C CAPACITOR | 100pF 50V J | 1 | |
| | C745 | CK73JXR1H471K | C CAPACITOR | 470pF 50V K | 1 | |
| | C750 | CK73GXR1C475K | C CAPACITOR | 4.7uF 16V K | 1 | |
| | C751 | CE32BZ0J101M | E CAPACITOR | 100uF 6.3V M | 1 | |
| | C756 | CK73HXR1A105K | C CAPACITOR | 1uF 10V K | 1 | |
| | C760 | CK73JXR1H471K | C CAPACITOR | 470pF 50V K | 1 | |
| | C820 | CK73JXR0J224K | C CAPACITOR | 0.22uF 6.3V K | 1 | |

| | | | | | | | |
|--------------|------|--------------|------|--------------|------|----------|------|
| MODEL | MARK | MODEL | MARK | MODEL | MARK | MODEL | MARK |
| KDC-BT560DAB | E0 | KDC-BT760DAB | E1 | KDC-BT960DAB | E2 | KDC-X705 | K1 |
| KDC-BT782HD | K2 | KDC-BT760DAB | X1 | | | | |

| Safe | Symbol No. | Parts No. | Parts Name | Description | QTY | Local |
|------|------------|---------------|-------------|---------------|-----|-------|
| | C821 | CK73JXR1H471K | C CAPACITOR | 470pF 50V K | 1 | |
| | C824 | CK73JXR0J224K | C CAPACITOR | 0.22uF 6.3V K | 1 | |
| | C830 | CK73JXR1H471K | C CAPACITOR | 470pF 50V K | 1 | |
| | C831 | CK73HXR1A105K | C CAPACITOR | 1uF 10V K | 1 | |
| | C832 | CK73JXR0J224K | C CAPACITOR | 0.22uF 6.3V K | 1 | |
| | C841 | CK73HXR1A334K | C CAPACITOR | 0.33uF 10V K | 1 | |
| | C842 | CK73JXR0J224K | C CAPACITOR | 0.22uF 6.3V K | 1 | |
| | C843 | CK73HXR1A105K | C CAPACITOR | 1uF 10V K | 1 | |
| | C844 | CK73JXR1A104K | C CAPACITOR | 0.1uF 10V K | 1 | |
| | C890 | CK73HXR1A105K | C CAPACITOR | 1uF 10V K | 1 | |
| | C891 | CK73GXR1A106K | C CAPACITOR | 10uF 10V K | 1 | |
| | C902 | CC73JCH1E391J | C CAPACITOR | 390pF 25V J | 1 | |
| | C903 | CK73JXR1H471K | C CAPACITOR | 470pF 50V K | 1 | |
| | C904 | CC73JCH1E271J | C CAPACITOR | 270pF 25V J | 1 | |
| | C905 | CK73GXR1C475K | C CAPACITOR | 4.7uF 16V K | 1 | |
| | C906 | CK73GXR1A106K | C CAPACITOR | 10uF 10V K | 1 | |
| | C907 | CE32CC1A151M | E CAPACITOR | 150uF 10V M | 1 | |
| | C911 | CK73GXR1E105K | C CAPACITOR | 1uF 25V K | 1 | |
| | C912 | CK73FXR1C106K | C CAPACITOR | 10uF 16V K | 1 | |
| | C913 | CK73FXR1C106K | C CAPACITOR | 10uF 16V K | 1 | |
| | C914 | CK73GXR1C475K | C CAPACITOR | 4.7uF 16V K | 1 | |
| | C915 | CK73GXR1C475K | C CAPACITOR | 4.7uF 16V K | 1 | |
| | C916 | CE32BY1C221M | E CAPACITOR | 220uF 16V M | 1 | |
| | C917 | CK73GXR1E105K | C CAPACITOR | 1uF 25V K | 1 | |
| | C918 | CC73JCH1E391J | C CAPACITOR | 390pF 25V J | 1 | |
| | C919 | CD040CZ1C222M | E CAPACITOR | 2200uF 16V M | 1 | |
| | C935 | CK73GXR1C475K | C CAPACITOR | 4.7uF 16V K | 1 | |
| | C943 | CK73GXR1C475K | C CAPACITOR | 4.7uF 16V K | 1 | |
| | C944 | CE32CC1A151M | E CAPACITOR | 150uF 10V M | 1 | |
| | C945 | CC73JCH1E561J | C CAPACITOR | 560pF 25V J | 1 | |
| | C946 | CK73GXR1E105K | C CAPACITOR | 1uF 25V K | 1 | |
| | C947 | CK73GXR1C475K | C CAPACITOR | 4.7uF 16V K | 1 | |
| | C948 | CK73HXR1A105K | C CAPACITOR | 1uF 10V K | 1 | |
| | C949 | CK73JXR1H102K | C CAPACITOR | 1000pF 50V K | 1 | |
| | C950 | CK73GXR1C475K | C CAPACITOR | 4.7uF 16V K | 1 | |
| | C952 | CK73GXR1A106K | C CAPACITOR | 10uF 10V K | 1 | |
| | C954 | CK73JXR1H471K | C CAPACITOR | 470pF 50V K | 1 | |
| | C960 | CK73HXR1A105K | C CAPACITOR | 1uF 10V K | 1 | |
| | C990 | CD040CZ1C222M | E CAPACITOR | 2200uF 16V M | 1 | |
| | C993 | CK73JXR1H471K | C CAPACITOR | 470pF 50V K | 1 | |
| | C1020 | CK73JXR1A104K | C CAPACITOR | 0.1uF 10V K | 1 | |
| | C1034 | CK73JXR0J224K | C CAPACITOR | 0.22uF 6.3V K | 1 | |
| | C1301 | CK73HXR1A105K | C CAPACITOR | 1uF 10V K | 1 | |
| | C1305 | CK73GXR1A106K | C CAPACITOR | 10uF 10V K | 1 | |
| | C1306 | CK73JXR1A104K | C CAPACITOR | 0.1uF 10V K | 1 | |
| | C1322 | CK73HXR1A105K | C CAPACITOR | 1uF 10V K | 1 | |
| | C1902 | CK73JXR1A104K | C CAPACITOR | 0.1uF 10V K | 1 | |
| | C1903 | CK73JXR1H472K | C CAPACITOR | 4700pF 50V K | 1 | |
| | C1904 | CK73JXR1A104K | C CAPACITOR | 0.1uF 10V K | 1 | |
| | C1905 | CK73JXR1A104K | C CAPACITOR | 0.1uF 10V K | 1 | |
| | C1906 | CK73HXR1A105K | C CAPACITOR | 1uF 10V K | 1 | |
| | C1907 | CK73JXR1A104K | C CAPACITOR | 0.1uF 10V K | 1 | |
| | C1908 | CK73JXR1A104K | C CAPACITOR | 0.1uF 10V K | 1 | |
| | C1909 | CK73JXR1A104K | C CAPACITOR | 0.1uF 10V K | 1 | |
| | C1910 | CK73JXR1A104K | C CAPACITOR | 0.1uF 10V K | 1 | |
| | C1942 | CK73JXR1A104K | C CAPACITOR | 0.1uF 10V K | 1 | |
| | C1943 | CK73JXR1H472K | C CAPACITOR | 4700pF 50V K | 1 | |
| | C1944 | CK73JXR1A104K | C CAPACITOR | 0.1uF 10V K | 1 | |
| | C1945 | CK73JXR1A104K | C CAPACITOR | 0.1uF 10V K | 1 | |
| | C1946 | CK73HXR1A105K | C CAPACITOR | 1uF 10V K | 1 | |
| | C1947 | CK73JXR1A104K | C CAPACITOR | 0.1uF 10V K | 1 | |
| | C1948 | CK73JXR1A104K | C CAPACITOR | 0.1uF 10V K | 1 | |
| | C1949 | CK73JXR1A104K | C CAPACITOR | 0.1uF 10V K | 1 | |
| | C1950 | CK73JXR1A104K | C CAPACITOR | 0.1uF 10V K | 1 | |
| | C2002 | CK73JXR1A104K | C CAPACITOR | 0.1uF 10V K | 1 | |
| | C2007 | CK73HXR1A105K | C CAPACITOR | 1uF 10V K | 1 | |
| | C2008 | CK73JXR1H103K | C CAPACITOR | 0.01uF 50V K | 1 | |
| | C2010 | CK73JXR1H471K | C CAPACITOR | 470pF 50V K | 1 | |
| | C2019 | CK73JXR1H471K | C CAPACITOR | 470pF 50V K | 1 | |
| | C2024 | CK73JXR1H472K | C CAPACITOR | 4700pF 50V K | 1 | |
| | C2025 | CK73HXR1A105K | C CAPACITOR | 1uF 10V K | 1 | |
| | C2027 | CK73GXR1A106K | C CAPACITOR | 10uF 10V K | 1 | |
| | C2037 | CK73JXR1H103K | C CAPACITOR | 0.01uF 50V K | 1 | |
| | C2040 | CK73JXR1H471K | C CAPACITOR | 470pF 50V K | 1 | |
| | C2041 | CC73JCH1H101J | C CAPACITOR | 100pF 50V J | 1 | |
| | C2048 | CK73JXR0J474K | C CAPACITOR | 0.47uF 6.3V K | 1 | |
| | C2084 | CK73JXR1C224K | C CAPACITOR | 0.22uF 16V K | 1 | |
| | C2117 | CC73JCH1H101J | C CAPACITOR | 100pF 50V J | 1 | |
| | C3001 | CK73JXR1A103K | C CAPACITOR | 0.01uF 10V K | 1 | |
| | C3002 | CK73JXR1A103K | C CAPACITOR | 0.01uF 10V K | 1 | |
| | C3003 | CK73JXR1A103K | C CAPACITOR | 0.01uF 10V K | 1 | |
| | C3004 | CK73JXR1A103K | C CAPACITOR | 0.01uF 10V K | 1 | |
| | C4001 | CK73JXR1A104K | C CAPACITOR | 0.1uF 10V K | 1 | |
| | C4002 | CK73JXR1A104K | C CAPACITOR | 0.1uF 10V K | 1 | |
| | C4004 | CK73JXR1A104K | C CAPACITOR | 0.1uF 10V K | 1 | |
| | C5001 | CK73HXR0J105K | C CAPACITOR | 1uF 6.3V K | 1 | |
| | C5002 | CK73HXR0J105K | C CAPACITOR | 1uF 6.3V K | 1 | |
| | C5003 | CK73HXR0J105K | C CAPACITOR | 1uF 6.3V K | 1 | |
| | C5004 | CK73HXR0J105K | C CAPACITOR | 1uF 6.3V K | 1 | |
| | C5005 | CK73HXR0J105K | C CAPACITOR | 1uF 6.3V K | 1 | |
| | C5006 | CK73HXR0J105K | C CAPACITOR | 1uF 6.3V K | 1 | |
| | C5007 | CK73HXR0J105K | C CAPACITOR | 1uF 6.3V K | 1 | |

| | | | | | | | |
|--------------|------|--------------|------|--------------|------|----------|------|
| MODEL | MARK | MODEL | MARK | MODEL | MARK | MODEL | MARK |
| KDC-BT560DAB | E0 | KDC-BT760DAB | E1 | KDC-BT960DAB | E2 | KDC-X705 | K1 |
| KDC-BT782HD | K2 | KDC-BT760DAB | X1 | | | | |

| Safe | Symbol No. | Parts No. | Parts Name | Description | QTY | Local |
|------|------------|---------------|-------------|---------------|-----|----------|
| | C6001 | CK73JXR1H103K | C CAPACITOR | 0.01uF 50V K | 1 | |
| | C6002 | CK73JXR1H103K | C CAPACITOR | 0.01uF 50V K | 1 | |
| | C6003 | CK73JXR1H103K | C CAPACITOR | 0.01uF 50V K | 1 | |
| | C9001 | CK73JXR0J224K | C CAPACITOR | 0.22uF 6.3V K | 1 | |
| | C9003 | CK73JXR1H471K | C CAPACITOR | 470pF 50V K | 1 | |
| | C9015 | CK73JXR1H103K | C CAPACITOR | 0.01uF 50V K | 1 | |
| | C9022 | CK73JXR1H472K | C CAPACITOR | 4700pF 50V K | 1 | |
| | C9026 | CK73JXR1H471K | C CAPACITOR | 470pF 50V K | 1 | |
| | C9027 | CK73JXR1C224K | C CAPACITOR | 0.22uF 16V K | 1 | |
| | C9028 | CK73JXR1E104K | C CAPACITOR | 0.1uF 25V K | 1 | |
| | C9030 | CK73GXR1C475K | C CAPACITOR | 4.7uF 16V K | 1 | K1,K2 |
| | C9032 | CK73JXR1E104K | C CAPACITOR | 0.1uF 25V K | 1 | |
| | C9033 | CK73JXR1H102K | C CAPACITOR | 1000pF 50V K | 1 | |
| | C9035 | CC73JCH1H470J | C CAPACITOR | 47pF 50V J | 1 | |
| | C9037 | CK73JXR1H472K | C CAPACITOR | 4700pF 50V K | 1 | |
| | C9038 | CK73JXR1E104K | C CAPACITOR | 0.1uF 25V K | 1 | |
| | C9039 | CK73JXR1C224K | C CAPACITOR | 0.22uF 16V K | 1 | |
| | C9043 | CC73JCH1H100D | C CAPACITOR | 10pF 50V D | 1 | |
| | C9045 | CK73JXR1H471K | C CAPACITOR | 470pF 50V K | 1 | |
| | C9047 | CK73HXR1C105K | C CAPACITOR | 1uF 16V K | 1 | |
| | C9048 | CK73GXR1C475K | C CAPACITOR | 4.7uF 16V K | 1 | |
| | C9049 | CK73JXR1H472K | C CAPACITOR | 4700pF 50V K | 1 | |
| | C9050 | CK73JXR1H472K | C CAPACITOR | 4700pF 50V K | 1 | |
| | C9063 | CK73HXR1A104K | C CAPACITOR | 0.1uF 10V K | 1 | |
| | C9069 | CK73JXR1H472K | C CAPACITOR | 4700pF 50V K | 1 | |
| | C9074 | CK73JXR1H472K | C CAPACITOR | 4700pF 50V K | 1 | |
| | C9077 | CK73JXR1H471K | C CAPACITOR | 470pF 50V K | 1 | |
| | C9085 | CK73JXR1H103K | C CAPACITOR | 0.01uF 50V K | 1 | |
| | C9086 | CK73JXR1H103K | C CAPACITOR | 0.01uF 50V K | 1 | |
| | C9087 | CK73JXR1H103K | C CAPACITOR | 0.01uF 50V K | 1 | |
| | C9095 | CC73HCH1H010C | C CAPACITOR | 1pF 50V C | 1 | |
| | C9100 | CC73JCH1H470J | C CAPACITOR | 47pF 50V J | 1 | |
| | C9101 | CK73JXR1E104K | C CAPACITOR | 0.1uF 25V K | 1 | |
| | C9103 | CC73JCH1H220J | C CAPACITOR | 22pF 50V J | 1 | |
| | C9104 | CC73JCH1H470J | C CAPACITOR | 47pF 50V J | 1 | |
| | C9105 | CK73JXR1H472K | C CAPACITOR | 4700pF 50V K | 1 | |
| | C9106 | CC73JCH1H470J | C CAPACITOR | 47pF 50V J | 1 | |
| | C9108 | CK73JXR1H472K | C CAPACITOR | 4700pF 50V K | 1 | |
| | C9109 | CK73JXR1H472K | C CAPACITOR | 4700pF 50V K | 1 | |
| | C9110 | CK73JXR1A103K | C CAPACITOR | 0.01uF 10V K | 1 | |
| | C9113 | CK73JXR1H472K | C CAPACITOR | 4700pF 50V K | 1 | |
| | C9114 | CK73JXR1H471K | C CAPACITOR | 470pF 50V K | 1 | |
| | C9120 | CK73JXR1H471K | C CAPACITOR | 470pF 50V K | 1 | |
| | C9122 | CK73HXR1A105K | C CAPACITOR | 1uF 10V K | 1 | |
| | C9124 | CK73JXR1H472K | C CAPACITOR | 4700pF 50V K | 1 | |
| | C9125 | CK73JXR1H472K | C CAPACITOR | 4700pF 50V K | 1 | |
| | C9126 | CK73JXR1H472K | C CAPACITOR | 4700pF 50V K | 1 | |
| | C9127 | CK73JXR1H472K | C CAPACITOR | 4700pF 50V K | 1 | |
| | C9130 | CK73JXR1H471K | C CAPACITOR | 470pF 50V K | 1 | |
| | C9131 | CK73JXR1H471K | C CAPACITOR | 470pF 50V K | 1 | |
| | C9201 | CC73JCH1H050C | C CAPACITOR | 5pF 50V C | 1 | |
| | C9202 | CC73JCH1H050C | C CAPACITOR | 5pF 50V C | 1 | |
| | C9203 | CC73JCH1H050C | C CAPACITOR | 5pF 50V C | 1 | |
| | C9204 | CC73JCH1H070D | C CAPACITOR | 7pF 50V D | 1 | |
| | C9205 | CC73JCH1H070D | C CAPACITOR | 7pF 50V D | 1 | |
| | C9518 | CK73JXR1H471K | C CAPACITOR | 470pF 50V K | 1 | |
| | C9525 | CK73GXR0J106K | C CAPACITOR | 10uF 6.3V K | 1 | |
| | C9526 | CK73JXR1A104K | C CAPACITOR | 0.1uF 10V K | 1 | |
| | C9527 | CK73FXR1E106K | C CAPACITOR | 10uF 25V K | 1 | |
| | C9530 | CC73JCH1H100D | C CAPACITOR | 10pF 50V D | 1 | |
| | C9531 | CC73JCH1H100D | C CAPACITOR | 10pF 50V D | 1 | |
| | C9532 | CC73HCH1H010C | C CAPACITOR | 1pF 50V C | 1 | |
| | C9533 | CC73HCH1H010C | C CAPACITOR | 1pF 50V C | 1 | |
| | L9002 | RK73GB2A000J | MG RESISTOR | | 1 | |
| | R100 | RK73HB1J471J | MG RESISTOR | 470Ω 1/16W J | 1 | |
| | R101 | RK73HB1J000J | MG RESISTOR | 0Ω 1/16W J | 1 | |
| | R103 | RK73HB1J473J | MG RESISTOR | 47kΩ 1/16W J | 1 | |
| | R104 | RK73HB1J473J | MG RESISTOR | 47kΩ 1/16W J | 1 | |
| | R108 | RK73HB1J101J | MG RESISTOR | 100Ω 1/16W J | 1 | |
| | R109 | RK73HB1J101J | MG RESISTOR | 100Ω 1/16W J | 1 | |
| | R118 | RK73HB1J101J | MG RESISTOR | 100Ω 1/16W J | 1 | |
| | R119 | RK73HB1J101J | MG RESISTOR | 100Ω 1/16W J | 1 | |
| | R120 | RK73HB1J101J | MG RESISTOR | 100Ω 1/16W J | 1 | |
| | R145 | RK73HB1J680J | MG RESISTOR | 68Ω 1/16W J | 1 | |
| | R146 | RK73HB1J680J | MG RESISTOR | 68Ω 1/16W J | 1 | |
| | R147 | RK73HB1J680J | MG RESISTOR | 68Ω 1/16W J | 1 | |
| | R148 | RK73HB1J680J | MG RESISTOR | 68Ω 1/16W J | 1 | |
| | R149 | RK73HB1J680J | MG RESISTOR | 68Ω 1/16W J | 1 | |
| | R150 | RK73HB1J680J | MG RESISTOR | 68Ω 1/16W J | 1 | |
| | R161 | RK73HB1J000J | MG RESISTOR | 0Ω 1/16W J | 1 | E2,K1,K2 |
| | R162 | RK73HB1J101J | MG RESISTOR | 100Ω 1/16W J | 1 | |
| | R165 | RK73HH1J152D | MG RESISTOR | 1.5kΩ 1/16W D | 1 | |
| | R166 | RK73HH1J822D | MG RESISTOR | 8.2kΩ 1/16W D | 1 | |
| | R173 | RK73HB1J101J | MG RESISTOR | 100Ω 1/16W J | 1 | |
| | R175 | RK73GB2A000J | MG RESISTOR | 0Ω 1/10W J | 1 | |
| | R176 | RK73GB2A000J | MG RESISTOR | 0Ω 1/10W J | 1 | E2,K1,K2 |
| | R177 | RK73HB1J562J | MG RESISTOR | 5.6kΩ 1/16W J | 1 | E2,K1,K2 |
| | R178 | RK73HB1J752J | MG RESISTOR | 7.5kΩ 1/16W J | 1 | E2,K1,K2 |
| | R179 | RK73HH1J102D | MG RESISTOR | 1kΩ 1/16W D | 1 | E2,K1,K2 |
| | R180 | RK73HH1J153D | MG RESISTOR | 15kΩ 1/16W D | 1 | E2,K1,K2 |

| | | | | | | | |
|--------------|------|--------------|------|--------------|------|----------|------|
| MODEL | MARK | MODEL | MARK | MODEL | MARK | MODEL | MARK |
| KDC-BT560DAB | E0 | KDC-BT760DAB | E1 | KDC-BT960DAB | E2 | KDC-X705 | K1 |
| KDC-BT782HD | K2 | KDC-BT760DAB | X1 | | | | |

| Safe | Symbol No. | Parts No. | Parts Name | Description | QTY | Local |
|------|------------|--------------|-------------|---------------|-----|----------------|
| | R181 | RK73HB1J103J | MG RESISTOR | 10kΩ 1/16W J | 1 | E2,K1,K2 |
| | R188 | RK73GB2A000J | MG RESISTOR | 0Ω 1/10W J | 1 | E0,E1,X1 |
| | R220 | RK73HB1J101J | MG RESISTOR | 100Ω 1/16W J | 1 | |
| | R221 | RK73HB1J101J | MG RESISTOR | 100Ω 1/16W J | 1 | |
| | R222 | RK73HB1J000J | MG RESISTOR | 0Ω 1/16W J | 1 | |
| | R223 | RK73HB1J392J | MG RESISTOR | 3.9kΩ 1/16W J | 1 | |
| | R224 | RK73HB1J103J | MG RESISTOR | 10kΩ 1/16W J | 1 | |
| | R225 | RK73HB1J333J | MG RESISTOR | 33kΩ 1/16W J | 1 | |
| | R226 | RK73HB1J122J | MG RESISTOR | 1.2kΩ 1/16W J | 1 | |
| | R227 | RK73HB1J124J | MG RESISTOR | 120kΩ 1/16W J | 1 | |
| | R229 | RK73HB1J122J | MG RESISTOR | 1.2kΩ 1/16W J | 1 | |
| | R230 | RK73HB1J124J | MG RESISTOR | 120kΩ 1/16W J | 1 | |
| | R231 | RK73HB1J103J | MG RESISTOR | 10kΩ 1/16W J | 1 | |
| | R232 | RK73HB1J103J | MG RESISTOR | 10kΩ 1/16W J | 1 | |
| | R233 | RK73HB1J681J | MG RESISTOR | 680Ω 1/16W J | 1 | |
| | R234 | RK73HB1J222J | MG RESISTOR | 2.2kΩ 1/16W J | 1 | |
| | R235 | RK73HB1J103J | MG RESISTOR | 10kΩ 1/16W J | 1 | |
| | R236 | RK73HB1J103J | MG RESISTOR | 10kΩ 1/16W J | 1 | |
| | R237 | RK73HB1J471J | MG RESISTOR | 470Ω 1/16W J | 1 | |
| | R238 | RK73HB1J103J | MG RESISTOR | 10kΩ 1/16W J | 1 | |
| | R250 | RK73HB1J181J | MG RESISTOR | 180Ω 1/16W J | 1 | |
| | R251 | RK73HB1J223J | MG RESISTOR | 22kΩ 1/16W J | 1 | |
| | R252 | RK73HB1J331J | MG RESISTOR | 330Ω 1/16W J | 1 | |
| | R253 | RK73HB1J000J | MG RESISTOR | 0Ω 1/16W J | 1 | E2,K1,K2 |
| | R254 | RK73HB1J472J | MG RESISTOR | 4.7kΩ 1/16W J | 1 | |
| | R260 | RK73HB1J181J | MG RESISTOR | 180Ω 1/16W J | 1 | E0,E1,X1 |
| | R261 | RK73HB1J223J | MG RESISTOR | 22kΩ 1/16W J | 1 | E0,E1,X1 |
| | R262 | RK73HB1J331J | MG RESISTOR | 330Ω 1/16W J | 1 | E0,E1,X1 |
| | R264 | RK73HB1J472J | MG RESISTOR | 4.7kΩ 1/16W J | 1 | E0,E1,X1 |
| | R270 | RK73HB1J104J | MG RESISTOR | 100kΩ 1/16W J | 1 | |
| | R271 | RK73HB1J331J | MG RESISTOR | 330Ω 1/16W J | 1 | |
| | R272 | RK73HB1J303J | MG RESISTOR | 30kΩ 1/16W J | 1 | |
| | R273 | RK73HB1J223J | MG RESISTOR | 22kΩ 1/16W J | 1 | |
| | R274 | RK73HB1J332J | MG RESISTOR | 3.3kΩ 1/16W J | 1 | |
| | R301 | RK73HB1J000J | MG RESISTOR | 0Ω 1/16W J | 1 | |
| | R302 | RK73HB1J432J | MG RESISTOR | 4.3kΩ 1/16W J | 1 | |
| | R303 | RK73HB1J160J | MG RESISTOR | 16Ω 1/16W J | 1 | |
| | R304 | RK73HB1J473J | MG RESISTOR | 47kΩ 1/16W J | 1 | |
| | R305 | RK73HB1J1R0J | MG RESISTOR | 1.0Ω 1/16W J | 1 | |
| | R308 | RK73HB1J000J | MG RESISTOR | 0Ω 1/16W J | 1 | |
| | R309 | RK73GB2A000J | MG RESISTOR | 0Ω 1/10W J | 1 | |
| | R316 | RK73HB1J680J | MG RESISTOR | 68Ω 1/16W J | 1 | |
| | R317 | RK73HB1J680J | MG RESISTOR | 68Ω 1/16W J | 1 | |
| | R318 | RK73HB1J680J | MG RESISTOR | 68Ω 1/16W J | 1 | |
| | R319 | RK73HB1J680J | MG RESISTOR | 68Ω 1/16W J | 1 | |
| | R320 | RK73HB1J181J | MG RESISTOR | 180Ω 1/16W J | 1 | E1,E2,K1,K2,X1 |
| | R321 | RK73HB1J223J | MG RESISTOR | 22kΩ 1/16W J | 1 | E1,E2,K1,K2,X1 |
| | R322 | RK73HB1J472J | MG RESISTOR | 4.7kΩ 1/16W J | 1 | E1,E2,K1,K2,X1 |
| | R323 | RK73HB1J331J | MG RESISTOR | 330Ω 1/16W J | 1 | E1,E2,K1,K2,X1 |
| | R330 | RK73HB1J181J | MG RESISTOR | 180Ω 1/16W J | 1 | E1,E2,K1,K2,X1 |
| | R331 | RK73HB1J223J | MG RESISTOR | 22kΩ 1/16W J | 1 | E1,E2,K1,K2,X1 |
| | R332 | RK73HB1J472J | MG RESISTOR | 4.7kΩ 1/16W J | 1 | E1,E2,K1,K2,X1 |
| | R333 | RK73HB1J331J | MG RESISTOR | 330Ω 1/16W J | 1 | E1,E2,K1,K2,X1 |
| | R340 | RK73HB1J181J | MG RESISTOR | 180Ω 1/16W J | 1 | E2,K1,K2 |
| | R341 | RK73HB1J223J | MG RESISTOR | 22kΩ 1/16W J | 1 | E2,K1,K2 |
| | R342 | RK73HB1J472J | MG RESISTOR | 4.7kΩ 1/16W J | 1 | E2,K1,K2 |
| | R343 | RK73HB1J331J | MG RESISTOR | 330Ω 1/16W J | 1 | E2,K1,K2 |
| | R350 | RK73HB1J181J | MG RESISTOR | 180Ω 1/16W J | 1 | E2,K1,K2 |
| | R351 | RK73HB1J223J | MG RESISTOR | 22kΩ 1/16W J | 1 | E2,K1,K2 |
| | R352 | RK73HB1J472J | MG RESISTOR | 4.7kΩ 1/16W J | 1 | E2,K1,K2 |
| | R353 | RK73HB1J331J | MG RESISTOR | 330Ω 1/16W J | 1 | E2,K1,K2 |
| | R370 | RK73HB1J683J | MG RESISTOR | 68kΩ 1/16W J | 1 | |
| | R371 | RK73GB2A123J | MG RESISTOR | 12kΩ 1/10W J | 1 | |
| | R372 | RK73HB1J103J | MG RESISTOR | 10kΩ 1/16W J | 1 | |
| | R373 | RK73HB1J102J | MG RESISTOR | 1kΩ 1/16W J | 1 | |
| | R390 | RK73EB2E472J | MG RESISTOR | 4.7kΩ 1/4W J | 1 | |
| | R400 | RK73HB1J102J | MG RESISTOR | 1kΩ 1/16W J | 1 | |
| | R410 | RK73HB1J101J | MG RESISTOR | 100Ω 1/16W J | 1 | |
| | R411 | RK73HB1J101J | MG RESISTOR | 100Ω 1/16W J | 1 | |
| | R413 | RK73HB1J472J | MG RESISTOR | 4.7kΩ 1/16W J | 1 | |
| | R414 | RK73HB1J472J | MG RESISTOR | 4.7kΩ 1/16W J | 1 | |
| | R468 | RK73GB2A100J | MG RESISTOR | 10Ω 1/10W J | 1 | K1,K2 |
| | R469 | RK73GB2A4R7J | MG RESISTOR | 4.7Ω 1/10W J | 1 | K1,K2 |
| | R470 | RK73GB2A100J | MG RESISTOR | 10Ω 1/10W J | 1 | K1,K2 |
| | R471 | RK73HB1J101J | MG RESISTOR | 100Ω 1/16W J | 1 | K1,K2 |
| | R472 | RK73HB1J101J | MG RESISTOR | 100Ω 1/16W J | 1 | K1,K2 |
| | R473 | RK73HB1J472J | MG RESISTOR | 4.7kΩ 1/16W J | 1 | K1,K2 |
| | R474 | RK73HB1J221J | MG RESISTOR | 220Ω 1/16W J | 1 | K1,K2 |
| | R475 | RK73HB1J100J | MG RESISTOR | 10Ω 1/16W J | 1 | K1,K2 |
| | R476 | RK73HB1J223J | MG RESISTOR | 22kΩ 1/16W J | 1 | K1,K2 |
| | R477 | RK73HB1J104J | MG RESISTOR | 100kΩ 1/16W J | 1 | K1,K2 |
| | R541 | RK73HB1J512J | MG RESISTOR | 5.1kΩ 1/16W J | 1 | |
| | R542 | RK73HB1J102J | MG RESISTOR | 1kΩ 1/16W J | 1 | |
| | R543 | RK73EB2E200J | MG RESISTOR | 20Ω 1/4W J | 1 | |
| | R544 | RK73HB1J393J | MG RESISTOR | 39kΩ 1/16W J | 1 | |
| | R545 | RK73HH1J183D | MG RESISTOR | 18kΩ 1/16W D | 1 | |
| | R546 | RK73HH1J393D | MG RESISTOR | 39kΩ 1/16W D | 1 | |
| | R548 | RK73HH1J683D | MG RESISTOR | 68kΩ 1/16W D | 1 | |
| | R549 | RK73HB1J222J | MG RESISTOR | 2.2kΩ 1/16W J | 1 | |
| | R601 | RK73HB1J101J | MG RESISTOR | 100Ω 1/16W J | 1 | |
| | R611 | RK73HB1J101J | MG RESISTOR | 100Ω 1/16W J | 1 | |
| | R683 | RK73HB1J000J | MG RESISTOR | 0Ω 1/16W J | 1 | |

| | | | | | | | |
|--------------|------|--------------|------|--------------|------|----------|------|
| MODEL | MARK | MODEL | MARK | MODEL | MARK | MODEL | MARK |
| KDC-BT560DAB | E0 | KDC-BT760DAB | E1 | KDC-BT960DAB | E2 | KDC-X705 | K1 |
| KDC-BT782HD | K2 | KDC-BT760DAB | X1 | | | | |

| Safe | Symbol No. | Parts No. | Parts Name | Description | QTY | Local |
|------|------------|--------------|-------------|---------------|-----|-------------|
| | R684 | RK73HB1J392J | MG RESISTOR | 3.9kΩ 1/16W J | 1 | |
| | R685 | RK73HB1J392J | MG RESISTOR | 3.9kΩ 1/16W J | 1 | |
| | R692 | RK73GB2A910J | MG RESISTOR | 91Ω 1/10W J | 1 | |
| | R693 | RK73GB2A910J | MG RESISTOR | 91Ω 1/10W J | 1 | |
| | R702 | RK73HB1J222J | MG RESISTOR | 2.2kΩ 1/16W J | 1 | |
| | R703 | RK73HB1J101J | MG RESISTOR | 100Ω 1/16W J | 1 | |
| | R704 | RK73HB1J222J | MG RESISTOR | 2.2kΩ 1/16W J | 1 | |
| | R705 | RK73HB1J101J | MG RESISTOR | 100Ω 1/16W J | 1 | |
| | R706 | RK73HB1J332J | MG RESISTOR | 3.3kΩ 1/16W J | 1 | |
| | R707 | RK73HB1J101J | MG RESISTOR | 100Ω 1/16W J | 1 | |
| | R709 | RK73HB1J472J | MG RESISTOR | 4.7kΩ 1/16W J | 1 | |
| | R710 | RK73HB1J682J | MG RESISTOR | 6.8kΩ 1/16W J | 1 | |
| | R711 | RK73HB1J472J | MG RESISTOR | 4.7kΩ 1/16W J | 1 | |
| | R712 | RK73HB1J473J | MG RESISTOR | 47kΩ 1/16W J | 1 | |
| | R713 | RK73HB1J101J | MG RESISTOR | 100Ω 1/16W J | 1 | |
| | R714 | RK73HB1J274J | MG RESISTOR | 270kΩ 1/16W J | 1 | |
| | R715 | RK73HB1J101J | MG RESISTOR | 100Ω 1/16W J | 1 | |
| | R718 | RK73HB1J472J | MG RESISTOR | 4.7kΩ 1/16W J | 1 | |
| | R721 | RK73HB1J101J | MG RESISTOR | 100Ω 1/16W J | 1 | |
| | R722 | RK73HB1J101J | MG RESISTOR | 100Ω 1/16W J | 1 | |
| | R723 | RK73HB1J101J | MG RESISTOR | 100Ω 1/16W J | 1 | |
| | R725 | RK73HB1J101J | MG RESISTOR | 100Ω 1/16W J | 1 | |
| | R730 | RK73HB1J222J | MG RESISTOR | 2.2kΩ 1/16W J | 1 | |
| | R731 | RK73HB1J101J | MG RESISTOR | 100Ω 1/16W J | 1 | |
| | R733 | RK73HB1J103J | MG RESISTOR | 10kΩ 1/16W J | 1 | |
| | R734 | RK73HB1J101J | MG RESISTOR | 100Ω 1/16W J | 1 | |
| | R735 | RK73HB1J273J | MG RESISTOR | 27kΩ 1/16W J | 1 | |
| | R737 | RK73HB1J101J | MG RESISTOR | 100Ω 1/16W J | 1 | |
| | R738 | RK73HB1J103J | MG RESISTOR | 10kΩ 1/16W J | 1 | |
| | R739 | RK73HB1J102J | MG RESISTOR | 1kΩ 1/16W J | 1 | |
| | R740 | RK73HB1J472J | MG RESISTOR | 4.7kΩ 1/16W J | 1 | |
| | R741 | RK73HB1J473J | MG RESISTOR | 47kΩ 1/16W J | 1 | |
| | R742 | RK73HB1J101J | MG RESISTOR | 100Ω 1/16W J | 1 | |
| | R743 | RK73HB1J222J | MG RESISTOR | 2.2kΩ 1/16W J | 1 | |
| | R744 | RK73HB1J101J | MG RESISTOR | 100Ω 1/16W J | 1 | |
| | R746 | RK73HB1J000J | MG RESISTOR | 0Ω 1/16W J | 1 | |
| | R748 | RK73HB1J101J | MG RESISTOR | 100Ω 1/16W J | 1 | |
| | R750 | RK73HB1J101J | MG RESISTOR | 100Ω 1/16W J | 1 | |
| | R753 | RK73HB1J273J | MG RESISTOR | 27kΩ 1/16W J | 1 | |
| | R755 | RK73HB1J103J | MG RESISTOR | 10kΩ 1/16W J | 1 | |
| | R756 | RK73HB1J101J | MG RESISTOR | 100Ω 1/16W J | 1 | |
| | R759 | RK73HB1J101J | MG RESISTOR | 100Ω 1/16W J | 1 | E0,E1,E2,X1 |
| | R760 | RK73HB1J000J | MG RESISTOR | 0Ω 1/16W J | 1 | |
| | R761 | RK73HB1J000J | MG RESISTOR | 0Ω 1/16W J | 1 | |
| | R762 | RK73HB1J330J | MG RESISTOR | 33Ω 1/16W J | 1 | |
| | R766 | RK73HB1J102J | MG RESISTOR | 1kΩ 1/16W J | 1 | |
| | R768 | RK73HB1J393J | MG RESISTOR | 39kΩ 1/16W J | 1 | E0,E1,E2 |
| | R768 | RK73HB1J333J | MG RESISTOR | 33kΩ 1/16W J | 1 | X1 |
| | R769 | RK73HB1J822J | MG RESISTOR | 8.2kΩ 1/16W J | 1 | E0,E1,E2 |
| | R769 | RK73HB1J473J | MG RESISTOR | 47kΩ 1/16W J | 1 | X1 |
| | R769 | RK73HB1J153J | MG RESISTOR | 15kΩ 1/16W J | 1 | K1,K2 |
| | R770 | RK73HB1J333J | MG RESISTOR | 33kΩ 1/16W J | 1 | E0 |
| | R770 | RK73HB1J393J | MG RESISTOR | 39kΩ 1/16W J | 1 | E2,K2 |
| | R771 | RK73HB1J153J | MG RESISTOR | 15kΩ 1/16W J | 1 | E0 |
| | R771 | RK73HB1J473J | MG RESISTOR | 47kΩ 1/16W J | 1 | E1,K1,X1 |
| | R771 | RK73HB1J822J | MG RESISTOR | 8.2kΩ 1/16W J | 1 | E2,K2 |
| | R772 | RK73HB1J101J | MG RESISTOR | 100Ω 1/16W J | 1 | |
| | R777 | RK73HB1J101J | MG RESISTOR | 100Ω 1/16W J | 1 | |
| | R778 | RK73HB1J101J | MG RESISTOR | 100Ω 1/16W J | 1 | |
| | R782 | RK73HB1J330J | MG RESISTOR | 33Ω 1/16W J | 1 | |
| | R785 | RK73HB1J330J | MG RESISTOR | 33Ω 1/16W J | 1 | |
| | R788 | RK73HH1J823D | MG RESISTOR | 82kΩ 1/16W D | 1 | |
| | R789 | RK73HH1J393D | MG RESISTOR | 39kΩ 1/16W D | 1 | |
| | R793 | RK73HB1J273J | MG RESISTOR | 27kΩ 1/16W J | 1 | |
| | R794 | RK73HB1J101J | MG RESISTOR | 100Ω 1/16W J | 1 | |
| | R795 | RK73HB1J101J | MG RESISTOR | 100Ω 1/16W J | 1 | |
| | R796 | RK73HH1J302D | MG RESISTOR | 3kΩ 1/16W D | 1 | |
| | R797 | RK73HB1J222J | MG RESISTOR | 2.2kΩ 1/16W J | 1 | |
| | R798 | RK73HB1J222J | MG RESISTOR | 2.2kΩ 1/16W J | 1 | |
| | R799 | RK73HB1J105J | MG RESISTOR | 1MΩ 1/16W J | 1 | |
| | R800 | RK73HB1J000J | MG RESISTOR | 0Ω 1/16W J | 1 | |
| | R801 | RK73HB1J102J | MG RESISTOR | 1kΩ 1/16W J | 1 | |
| | R802 | RK73HB1J473J | MG RESISTOR | 47kΩ 1/16W J | 1 | E0,E1,E2,X1 |
| | R803 | RK73HB1J225J | MG RESISTOR | 2.2MΩ 1/16W J | 1 | K1,K2 |
| | R804 | RK73HB1J473J | MG RESISTOR | 47kΩ 1/16W J | 1 | |
| | R805 | RK73HB1J102J | MG RESISTOR | 1kΩ 1/16W J | 1 | |
| | R806 | RK73HB1J102J | MG RESISTOR | 1kΩ 1/16W J | 1 | |
| | R808 | RK73HB1J680J | MG RESISTOR | 68Ω 1/16W J | 1 | |
| | R809 | RK73HB1J102J | MG RESISTOR | 1kΩ 1/16W J | 1 | |
| | R811 | RK73HB1J101J | MG RESISTOR | 100Ω 1/16W J | 1 | |
| | R813 | RK73HB1J000J | MG RESISTOR | 0Ω 1/16W J | 1 | |
| | R814 | RK73HB1J220J | MG RESISTOR | 22Ω 1/16W J | 1 | |
| | R815 | RK73HB1J220J | MG RESISTOR | 22Ω 1/16W J | 1 | |
| | R819 | RK73HB1J220J | MG RESISTOR | 22Ω 1/16W J | 1 | |
| | R820 | RK73HB1J473J | MG RESISTOR | 47kΩ 1/16W J | 1 | |
| | R823 | RK73HB1J470J | MG RESISTOR | 47Ω 1/16W J | 1 | |
| | R824 | RK73HB1J473J | MG RESISTOR | 47kΩ 1/16W J | 1 | |
| | R827 | RK73HB1J103J | MG RESISTOR | 10kΩ 1/16W J | 1 | |
| | R828 | RK73HB1J103J | MG RESISTOR | 10kΩ 1/16W J | 1 | |
| | R829 | RK73HB1J220J | MG RESISTOR | 22Ω 1/16W J | 1 | |

| | | | | | | | |
|--------------|------|--------------|------|--------------|------|----------|------|
| MODEL | MARK | MODEL | MARK | MODEL | MARK | MODEL | MARK |
| KDC-BT560DAB | E0 | KDC-BT760DAB | E1 | KDC-BT960DAB | E2 | KDC-X705 | K1 |
| KDC-BT782HD | K2 | KDC-BT760DAB | X1 | | | | |

| Safe | Symbol No. | Parts No. | Parts Name | Description | QTY | Local |
|------|------------|--------------|-------------|---------------|-----|-------------|
| | R830 | RK73HB1J101J | MG RESISTOR | 100Ω 1/16W J | 1 | |
| | R831 | RK73HB1J222J | MG RESISTOR | 2.2kΩ 1/16W J | 1 | |
| | R833 | RK73HB1J220J | MG RESISTOR | 22Ω 1/16W J | 1 | |
| | R834 | RK73HB1J220J | MG RESISTOR | 22Ω 1/16W J | 1 | |
| | R835 | RK73HB1J220J | MG RESISTOR | 22Ω 1/16W J | 1 | |
| | R836 | RK73HB1J330J | MG RESISTOR | 33Ω 1/16W J | 1 | |
| | R844 | RK73HB1J332J | MG RESISTOR | 3.3kΩ 1/16W J | 1 | |
| | R845 | RK73HB1J473J | MG RESISTOR | 47kΩ 1/16W J | 1 | |
| | R846 | RK73HB1J473J | MG RESISTOR | 47kΩ 1/16W J | 1 | |
| | R848 | RK73HB1J000J | MG RESISTOR | 0Ω 1/16W J | 1 | |
| | R870 | RK73HB1J562J | MG RESISTOR | 5.6kΩ 1/16W J | 1 | |
| | R889 | RK73HB1J332J | MG RESISTOR | 3.3kΩ 1/16W J | 1 | |
| | R891 | RK73HH1J563D | MG RESISTOR | 56kΩ 1/16W D | 1 | |
| | R892 | RK73HH1J393D | MG RESISTOR | 39kΩ 1/16W D | 1 | |
| | R893 | RK73HB1J222J | MG RESISTOR | 2.2kΩ 1/16W J | 1 | |
| | R902 | RK73HB1J102J | MG RESISTOR | 1kΩ 1/16W J | 1 | E0,E1,E2,X1 |
| | R903 | RK73HH1J394D | MG RESISTOR | 390kΩ 1/16W D | 1 | E0,E1,X1 |
| | R903 | RK73HH1J334D | MG RESISTOR | 330kΩ 1/16W D | 1 | E2,K1,K2 |
| | R904 | RK73HH1J103D | MG RESISTOR | 10kΩ 1/16W D | 1 | E0,E1,X1 |
| | R904 | RK73HH1J473D | MG RESISTOR | 47kΩ 1/16W D | 1 | E2,K1,K2 |
| | R905 | RK73HB1J101J | MG RESISTOR | 100Ω 1/16W J | 1 | |
| | R908 | RK73HH1J154D | MG RESISTOR | 150kΩ 1/16W D | 1 | |
| | R909 | RK73HH1J473D | MG RESISTOR | 47kΩ 1/16W D | 1 | |
| | R910 | RK73HB1J102J | MG RESISTOR | 1kΩ 1/16W J | 1 | |
| | R911 | RK73HB1J683J | MG RESISTOR | 68kΩ 1/16W J | 1 | |
| | R912 | RK73HB1J101J | MG RESISTOR | 100Ω 1/16W J | 1 | |
| | R913 | RK73HB1J101J | MG RESISTOR | 100Ω 1/16W J | 1 | |
| | R916 | RK73HB1J102J | MG RESISTOR | 1kΩ 1/16W J | 1 | E0,E1,E2,X1 |
| | R917 | RK73HH1J393D | MG RESISTOR | 39kΩ 1/16W D | 1 | |
| | R920 | RK73HH1J124D | MG RESISTOR | 120kΩ 1/16W D | 1 | |
| | R921 | RK73HH1J153D | MG RESISTOR | 15kΩ 1/16W D | 1 | |
| | R922 | RK73HB1J102J | MG RESISTOR | 1kΩ 1/16W J | 1 | |
| | R923 | RK73HH1J564D | MG RESISTOR | 560kΩ 1/16W D | 1 | |
| | R924 | RK73HB1J000J | MG RESISTOR | 0Ω 1/16W J | 1 | |
| | R925 | RK73HH1J184D | MG RESISTOR | 180kΩ 1/16W D | 1 | |
| | R927 | RK73HB1J103J | MG RESISTOR | 10kΩ 1/16W J | 1 | |
| | R928 | RK73HB1J101J | MG RESISTOR | 100Ω 1/16W J | 1 | |
| | R929 | RK73HB1J101J | MG RESISTOR | 100Ω 1/16W J | 1 | |
| | R933 | RK73HH1J684D | MG RESISTOR | 680kΩ 1/16W D | 1 | |
| | R934 | RK73HH1J563D | MG RESISTOR | 56kΩ 1/16W D | 1 | |
| | R939 | RK73HH1J433D | MG RESISTOR | 43kΩ 1/16W D | 1 | |
| | R940 | RK73HH1J123D | MG RESISTOR | 12kΩ 1/16W D | 1 | |
| | R941 | RK73HH1J393D | MG RESISTOR | 39kΩ 1/16W D | 1 | |
| | R946 | RK73HB1J222J | MG RESISTOR | 2.2kΩ 1/16W J | 1 | |
| | R950 | RK73HB1J000J | MG RESISTOR | 0Ω 1/16W J | 1 | |
| | R951 | RK73HB1J471J | MG RESISTOR | 470Ω 1/16W J | 1 | |
| | R952 | RK73HB1J000J | MG RESISTOR | 0Ω 1/16W J | 1 | |
| | R954 | RK73HB1J222J | MG RESISTOR | 2.2kΩ 1/16W J | 1 | |
| | R955 | RK73EB2E184J | MG RESISTOR | 180kΩ 1/4W J | 1 | |
| | R960 | RK73HB1J153J | MG RESISTOR | 15kΩ 1/16W J | 1 | |
| | R965 | RK73GB2A000J | MG RESISTOR | 0Ω 1/10W J | 1 | |
| | R980 | RK73EB2E682J | MG RESISTOR | 6.8kΩ 1/4W J | 1 | |
| | R981 | RK73EB2E682J | MG RESISTOR | 6.8kΩ 1/4W J | 1 | |
| | R982 | RK73EB2E473J | MG RESISTOR | 47kΩ 1/4W J | 1 | |
| | R984 | RK73EB2E473J | MG RESISTOR | 47kΩ 1/4W J | 1 | |
| | R1034 | RK73HB1J102J | MG RESISTOR | 1kΩ 1/16W J | 1 | |
| | R1070 | RK73HB1J102J | MG RESISTOR | 1kΩ 1/16W J | 1 | |
| | R1300 | RK73HB1J562J | MG RESISTOR | 5.6kΩ 1/16W J | 1 | |
| | R1302 | RK73HB1J220J | MG RESISTOR | 22Ω 1/16W J | 1 | |
| | R1303 | RK73HB1J220J | MG RESISTOR | 22Ω 1/16W J | 1 | |
| | R1900 | RK73HB1J680J | MG RESISTOR | 68Ω 1/16W J | 1 | |
| | R1901 | RK73HB1J680J | MG RESISTOR | 68Ω 1/16W J | 1 | |
| | R1902 | RK73HB1J680J | MG RESISTOR | 68Ω 1/16W J | 1 | |
| | R1903 | RK73HB1J680J | MG RESISTOR | 68Ω 1/16W J | 1 | |
| | R1904 | RK73HB1J680J | MG RESISTOR | 68Ω 1/16W J | 1 | |
| | R1905 | RK73HB1J680J | MG RESISTOR | 68Ω 1/16W J | 1 | |
| | R1906 | RK73HB1J680J | MG RESISTOR | 68Ω 1/16W J | 1 | |
| | R1907 | RK73HB1J680J | MG RESISTOR | 68Ω 1/16W J | 1 | |
| | R1908 | RK73HB1J680J | MG RESISTOR | 68Ω 1/16W J | 1 | |
| | R1909 | RK73HB1J680J | MG RESISTOR | 68Ω 1/16W J | 1 | |
| | R1910 | RK73HB1J680J | MG RESISTOR | 68Ω 1/16W J | 1 | |
| | R1911 | RK73HB1J680J | MG RESISTOR | 68Ω 1/16W J | 1 | |
| | R1912 | RK73HB1J680J | MG RESISTOR | 68Ω 1/16W J | 1 | |
| | R1913 | RK73HB1J680J | MG RESISTOR | 68Ω 1/16W J | 1 | |
| | R1914 | RK73HB1J680J | MG RESISTOR | 68Ω 1/16W J | 1 | |
| | R1915 | RK73HB1J680J | MG RESISTOR | 68Ω 1/16W J | 1 | |
| | R1920 | RK73HB1J000J | MG RESISTOR | 0Ω 1/16W J | 1 | |
| | R1921 | RK73HB1J180J | MG RESISTOR | 18Ω 1/16W J | 1 | |
| | R1932 | RK73HB1J000J | MG RESISTOR | 0Ω 1/16W J | 1 | |
| | R1940 | RK73HB1J101J | MG RESISTOR | 100Ω 1/16W J | 1 | |
| | R1941 | RK73HB1J101J | MG RESISTOR | 100Ω 1/16W J | 1 | |
| | R1942 | RK73HB1J101J | MG RESISTOR | 100Ω 1/16W J | 1 | |
| | R1943 | RK73HB1J101J | MG RESISTOR | 100Ω 1/16W J | 1 | |
| | R1944 | RK73HB1J101J | MG RESISTOR | 100Ω 1/16W J | 1 | |
| | R1945 | RK73HB1J101J | MG RESISTOR | 100Ω 1/16W J | 1 | |
| | R1946 | RK73HB1J101J | MG RESISTOR | 100Ω 1/16W J | 1 | |
| | R1947 | RK73HB1J101J | MG RESISTOR | 100Ω 1/16W J | 1 | |
| | R1948 | RK73HB1J101J | MG RESISTOR | 100Ω 1/16W J | 1 | |
| | R1949 | RK73HB1J101J | MG RESISTOR | 100Ω 1/16W J | 1 | |
| | R1950 | RK73HB1J101J | MG RESISTOR | 100Ω 1/16W J | 1 | |
| | R1951 | RK73HB1J101J | MG RESISTOR | 100Ω 1/16W J | 1 | |
| | R1952 | RK73HB1J101J | MG RESISTOR | 100Ω 1/16W J | 1 | |

| | | | | | | | |
|--------------|------|--------------|------|--------------|------|----------|------|
| MODEL | MARK | MODEL | MARK | MODEL | MARK | MODEL | MARK |
| KDC-BT560DAB | E0 | KDC-BT760DAB | E1 | KDC-BT960DAB | E2 | KDC-X705 | K1 |
| KDC-BT782HD | K2 | KDC-BT760DAB | X1 | | | | |

| Safe | Symbol No. | Parts No. | Parts Name | Description | QTY | Local |
|------|------------|---------------|-----------------|---------------|-----|----------|
| | R1953 | RK73HB1J101J | MG RESISTOR | 100Ω 1/16W J | 1 | |
| | R1954 | RK73HB1J101J | MG RESISTOR | 100Ω 1/16W J | 1 | |
| | R1955 | RK73HB1J101J | MG RESISTOR | 100Ω 1/16W J | 1 | |
| | R1964 | RK73HB1J330J | MG RESISTOR | 33Ω 1/16W J | 1 | |
| | R1965 | RK73HB1J330J | MG RESISTOR | 33Ω 1/16W J | 1 | |
| | R1966 | RK73HB1J330J | MG RESISTOR | 33Ω 1/16W J | 1 | |
| | R1967 | RK73HB1J330J | MG RESISTOR | 33Ω 1/16W J | 1 | |
| | R1968 | RK73HB1J330J | MG RESISTOR | 33Ω 1/16W J | 1 | |
| | R1969 | RK73HB1J330J | MG RESISTOR | 33Ω 1/16W J | 1 | |
| | R1970 | RK73HB1J330J | MG RESISTOR | 33Ω 1/16W J | 1 | |
| | R1971 | RK73HB1J330J | MG RESISTOR | 33Ω 1/16W J | 1 | |
| | R1977 | RK73HB1J330J | MG RESISTOR | 33Ω 1/16W J | 1 | |
| | R1978 | RK73HB1J330J | MG RESISTOR | 33Ω 1/16W J | 1 | |
| | R1979 | RK73HB1J330J | MG RESISTOR | 33Ω 1/16W J | 1 | |
| | R1980 | RK73HB1J330J | MG RESISTOR | 33Ω 1/16W J | 1 | |
| | R1981 | RK73HB1J330J | MG RESISTOR | 33Ω 1/16W J | 1 | |
| | R1982 | RK73HB1J330J | MG RESISTOR | 33Ω 1/16W J | 1 | |
| | R1983 | RK73HB1J330J | MG RESISTOR | 33Ω 1/16W J | 1 | |
| | R1984 | RK73HB1J330J | MG RESISTOR | 33Ω 1/16W J | 1 | |
| | R1985 | RK73HB1J330J | MG RESISTOR | 33Ω 1/16W J | 1 | |
| | R1986 | RK73HB1J330J | MG RESISTOR | 33Ω 1/16W J | 1 | |
| | R1987 | RK73HB1J330J | MG RESISTOR | 33Ω 1/16W J | 1 | |
| | R1988 | RK73HB1J330J | MG RESISTOR | 33Ω 1/16W J | 1 | |
| | R1989 | RK73HB1J330J | MG RESISTOR | 33Ω 1/16W J | 1 | |
| | R1990 | RK73HB1J330J | MG RESISTOR | 33Ω 1/16W J | 1 | |
| | R1991 | RK73HB1J330J | MG RESISTOR | 33Ω 1/16W J | 1 | |
| | R1992 | RK73HB1J330J | MG RESISTOR | 33Ω 1/16W J | 1 | |
| | R2002 | RK73HB1J101J | MG RESISTOR | 100Ω 1/16W J | 1 | |
| | R2003 | RK73HB1J220J | MG RESISTOR | 22Ω 1/16W J | 1 | |
| | R2004 | RK73HB1J220J | MG RESISTOR | 22Ω 1/16W J | 1 | |
| | R2006 | RK73HB1J101J | MG RESISTOR | 100Ω 1/16W J | 1 | |
| | R2007 | RK73HB1J000J | MG RESISTOR | 0Ω 1/16W J | 1 | K1,K2 |
| | R2010 | RK73HB1J000J | MG RESISTOR | 0Ω 1/16W J | 1 | |
| | R2011 | RK73HB1J101J | MG RESISTOR | 100Ω 1/16W J | 1 | |
| | R2012 | RK73HB1J220J | MG RESISTOR | 22Ω 1/16W J | 1 | |
| | R2013 | RK73HB1J101J | MG RESISTOR | 100Ω 1/16W J | 1 | |
| | R2014 | RK73HB1J103J | MG RESISTOR | 10kΩ 1/16W J | 1 | |
| | R2016 | RK73HB1J000J | MG RESISTOR | 0Ω 1/16W J | 1 | |
| | R2017 | RK73HB1J000J | MG RESISTOR | 0Ω 1/16W J | 1 | |
| | R2018 | RK73HB1J000J | MG RESISTOR | 0Ω 1/16W J | 1 | |
| | R2019 | RK73HB1J000J | MG RESISTOR | 0Ω 1/16W J | 1 | |
| | R2021 | RK73HB1J220J | MG RESISTOR | 22Ω 1/16W J | 1 | |
| | R2023 | RK73HB1J101J | MG RESISTOR | 100Ω 1/16W J | 1 | |
| | R2026 | RK73HB1J000J | MG RESISTOR | 0Ω 1/16W J | 1 | |
| | R2029 | RK73HB1J101J | MG RESISTOR | 100Ω 1/16W J | 1 | |
| | R2033 | RK73HB1J222J | MG RESISTOR | 2.2kΩ 1/16W J | 1 | |
| | R2034 | RK73HB1J222J | MG RESISTOR | 2.2kΩ 1/16W J | 1 | |
| | R7571 | RK73HB1J101J | MG RESISTOR | 100Ω 1/16W J | 1 | |
| | R7581 | RK73HB1J101J | MG RESISTOR | 100Ω 1/16W J | 1 | |
| | R7641 | RK73HB1J101J | MG RESISTOR | 100Ω 1/16W J | 1 | |
| | R7651 | RK73HB1J101J | MG RESISTOR | 100Ω 1/16W J | 1 | |
| | R9005 | RK73HB1J000J | MG RESISTOR | 0Ω 1/16W J | 1 | |
| | R9011 | RK73HB1J101J | MG RESISTOR | 100Ω 1/16W J | 1 | |
| | R9019 | RK73HB1J101J | MG RESISTOR | 100Ω 1/16W J | 1 | |
| | R9029 | RK73HB1J272J | MG RESISTOR | 2.7kΩ 1/16W J | 1 | |
| | R9030 | RK73HB1J101J | MG RESISTOR | 100Ω 1/16W J | 1 | |
| | R9031 | RK73HB1J101J | MG RESISTOR | 100Ω 1/16W J | 1 | |
| | R9201 | RK73HH1J100D | MG RESISTOR | 10Ω 1/16W D | 1 | |
| | R9600 | RK73HB1J103J | MG RESISTOR | 10kΩ 1/16W J | 1 | |
| | R9611 | RK73HB1J151J | MG RESISTOR | 150Ω 1/16W J | 1 | |
| | R9710 | RK73HB1J000J | MG RESISTOR | 0Ω 1/16W J | 1 | |
| | R9711 | RK73HB1J000J | MG RESISTOR | 0Ω 1/16W J | 1 | |
| | R9712 | RK73HB1J000J | MG RESISTOR | 0Ω 1/16W J | 1 | |
| | R9713 | RK73HB1J000J | MG RESISTOR | 0Ω 1/16W J | 1 | |
| | L165 | LR73Z0AD100M | CHIP INDUCTOR | | 1 | E2,K1,K2 |
| | L540 | LK73Z0CA4R7M | M.CHIP INDUCTOR | | 1 | |
| | L541 | LR79Z0JM100M | CHIP INDUCTOR | | 1 | |
| | L610 | LR73Z0AD4R7M | CHIP INDUCTOR | | 1 | |
| | L701 | LB73H0AY-004 | CHIP FERRITE | | 1 | |
| | L702 | LB73H0AY-004 | CHIP FERRITE | | 1 | |
| | L706 | LB73H0AY-004 | CHIP FERRITE | | 1 | K1,K2 |
| | L707 | LB73H0AY-004 | CHIP FERRITE | | 1 | K1,K2 |
| | L708 | LB73H0GA-002 | CHIP FERRITE | | 1 | |
| | L709 | LB73H0AY-004 | CHIP FERRITE | | 1 | |
| | L790 | LK73H0BX12NJ | M.CHIP INDUCTOR | | 1 | |
| | L792 | LK73H0BX12NJ | M.CHIP INDUCTOR | | 1 | |
| | L821 | LB73G0ED-002 | CHIP FERRITE | | 1 | |
| | L830 | LB73G0ED-002 | CHIP FERRITE | | 1 | |
| | L901 | LR79Z0JM330M | CHIP INDUCTOR | | 1 | |
| | L902 | LR79Z0JM330M | CHIP INDUCTOR | | 1 | |
| | L903 | LK73Z0CA4R7M | M.CHIP INDUCTOR | | 1 | |
| | L960 | LR73Z0AD4R7M | CHIP INDUCTOR | | 1 | |
| | L962 | LR73Z0AD4R7M | CHIP INDUCTOR | | 1 | |
| | L990 | L3D-0043-00 | CHOKE COIL | | 1 | |
| | L2005 | LR73Z0AD4R7M | CHIP INDUCTOR | | 1 | |
| | L2006 | RK73HH1J470D | MG RESISTOR | | 1 | |
| | A1303 | W0C-0414-00 | CIRCUIT MODULE | | 1 | |
| | CN701 | E5J-0216-00 | R.RECEPTACLE | | 1 | |
| | CN704 | EB770BH-0830A | B TO B CONNE | | 1 | |
| | CN990 | E5J-0139-00 | R.RECEPTACLE | | 1 | |

| MODEL | MARK | MODEL | MARK | MODEL | MARK | MODEL | MARK |
|--------------|------|--------------|------|--------------|------|----------|------|
| KDC-BT560DAB | E0 | KDC-BT760DAB | E1 | KDC-BT960DAB | E2 | KDC-X705 | K1 |
| KDC-BT782HD | K2 | KDC-BT760DAB | X1 | | | | |

| Safe | Symbol No. | Parts No. | Parts Name | Description | QTY | Local |
|-------------------------------------|------------|---------------|-----------------|---------------|-----|-------------|
| | CN3000 | EC720AE-1026B | FFC FPC CONNE | | 1 | |
| △ | F321 | F53-0513-08 | PATTERN FUSE | | 1 | |
| △ | F322 | F53-0513-08 | PATTERN FUSE | | 1 | |
| △ | F540 | FZA10BH-2R5 | FUSE (CC) | | 1 | |
| △ | F625 | FZA10BF-1R0 | FUSE (CC) | | 1 | |
| | J220 | E1B-0013-00 | 3.5D PHONE JACK | | 1 | |
| | J321 | E6D-0014-10 | PIN JACK | | 1 | E0 |
| | J321 | E6D-0015-10 | PIN JACK | | 1 | E1,X1 |
| | J321 | E6D-0016-10 | PIN JACK | | 1 | E2,K1,K2 |
| | J470 | E5G-0029-00 | CYL.RECEPTACLE | | 1 | K1,K2 |
| | J600 | E6J-0017-00 | JACK OTHERS | | 1 | K1,K2 |
| | J601 | E3A-0527-00 | ANTENNA CABLE | | 1 | E0,E1,E2,X1 |
| | S830 | S7A-0031-00 | TACTILE PUSH SW | | 1 | |
| | VA390 | SDV1005E18//0 | VARISTOR | | 1 | |
| | VA471 | F0K-0420-00 | SURGE ABSORBER | | 1 | K1,K2 |
| | VA472 | F0K-0420-00 | SURGE ABSORBER | | 1 | K1,K2 |
| | VA473 | F0K-0420-00 | SURGE ABSORBER | | 1 | K1,K2 |
| | VA474 | F0K-0420-00 | SURGE ABSORBER | | 1 | K1,K2 |
| | VA475 | F0K-0420-00 | SURGE ABSORBER | | 1 | K1,K2 |
| | VA476 | F0K-0420-00 | SURGE ABSORBER | | 1 | K1,K2 |
| | VA601 | F0K-0265-00 | SURGE ABSORBER | | 1 | |
| | VA701 | F0K-0420-00 | SURGE ABSORBER | | 1 | |
| | VA702 | F0K-0420-00 | SURGE ABSORBER | | 1 | |
| | VA703 | F0K-0420-00 | SURGE ABSORBER | | 1 | |
| | VA704 | F0K-0420-00 | SURGE ABSORBER | | 1 | |
| | VA705 | F0K-0420-00 | SURGE ABSORBER | | 1 | |
| | VA706 | F0K-0420-00 | SURGE ABSORBER | | 1 | |
| | VA707 | F0K-0420-00 | SURGE ABSORBER | | 1 | |
| | VA709 | F0K-0420-00 | SURGE ABSORBER | | 1 | |
| | VA710 | F0K-0420-00 | SURGE ABSORBER | | 1 | |
| | VA711 | F0K-0420-00 | SURGE ABSORBER | | 1 | |
| | VA714 | F0K-0420-00 | SURGE ABSORBER | | 1 | |
| | VA716 | F0K-0420-00 | SURGE ABSORBER | | 1 | |
| | VA717 | F0K-0420-00 | SURGE ABSORBER | | 1 | |
| | VA905 | F0K-0420-00 | SURGE ABSORBER | | 1 | |
| | VA906 | F0K-0420-00 | SURGE ABSORBER | | 1 | |
| | VA907 | F0K-0420-00 | SURGE ABSORBER | | 1 | |
| | X701 | L7J-0138-00 | QUARTZ CRYSTAL | | 1 | |
| | X702 | L7J-0123-00 | QUARTZ CRYSTAL | | 1 | |
| SWITCH PWB ASSY (XJ6-162x-01) <XJ6> | | | | | | |
| | IC1 | BU97550KV-M | MOS IC | | 1 | |
| | IC3 | AS431AN-G1 | ANALOG IC | | 1 | |
| | IC90 | SIRD630B6T | IR DETECT UNIT | | 1 | K1,K2 |
| | Q50 | LSCR523EBFS8 | TRANSISTOR | | 1 | |
| | Q51 | LSCR523EBFS8 | TRANSISTOR | | 1 | |
| | Q52 | LSCR523EBFS8 | TRANSISTOR | | 1 | |
| | Q53 | LSCR523EBFS8 | TRANSISTOR | | 1 | |
| | Q54 | LSCR523EBFS8 | TRANSISTOR | | 1 | |
| | Q55 | LSCR523EBFS8 | TRANSISTOR | | 1 | |
| | Q90 | LTA014EEBFS8 | DIGI TRANSISTOR | | 1 | K1,K2 |
| | Q91 | LTC014EEBFS8 | DIGI TRANSISTOR | | 1 | K1,K2 |
| | D2 | SM5818PL | SCHOTTKY DIODE | | 1 | |
| | D3 | SM5818PL | SCHOTTKY DIODE | | 1 | |
| | D20 | QSMH-C199 | LED | | 1 | |
| | D21 | ASMTYTD9ZDA02 | LED | | 1 | |
| | D22 | ASMTYTD9ZDA02 | LED | | 1 | |
| | D23 | ASMTYTD9ZDA02 | LED | | 1 | |
| | D24 | ASMTYTD9ZDA02 | LED | | 1 | |
| | D49 | ASMTYTD9ZDA02 | LED | | 1 | |
| | C1 | CK73GXR1A475K | C CAPACITOR | 4.7uF 10V K | 1 | |
| | C5 | CK73GXR1A475K | C CAPACITOR | 4.7uF 10V K | 1 | |
| | C6 | CK73FXR1C106K | C CAPACITOR | 10uF 16V K | 1 | |
| | C7 | CK73JXR1H472K | C CAPACITOR | 4700pF 50V K | 1 | |
| | C60 | CK73JXR1H102K | C CAPACITOR | 1000pF 50V K | 1 | |
| | C61 | CK73JXR1H102K | C CAPACITOR | 1000pF 50V K | 1 | |
| | C80 | CC73JCH1H090D | C CAPACITOR | 9pF 50V D | 1 | |
| | C81 | CC73JCH1H090D | C CAPACITOR | 9pF 50V D | 1 | |
| | C82 | CK73FXR1E106K | C CAPACITOR | 10uF 25V K | 1 | |
| | C83 | CK73JXR1H471K | C CAPACITOR | 470pF 50V K | 1 | |
| | C84 | CK73JXR1H472K | C CAPACITOR | 4700pF 50V K | 1 | |
| | C85 | CK73JXR1H471K | C CAPACITOR | 470pF 50V K | 1 | |
| | C86 | CK73JXR1H472K | C CAPACITOR | 4700pF 50V K | 1 | |
| | C91 | CK73HXR1A105K | C CAPACITOR | 1uF 10V K | 1 | K1,K2 |
| | R1 | RK73HH1J473D | MG RESISTOR | 47kΩ 1/16W D | 1 | |
| | R2 | RK73HH1J473D | MG RESISTOR | 47kΩ 1/16W D | 1 | |
| | R3 | RK73HB1J471J | MG RESISTOR | 470Ω 1/16W J | 1 | |
| | R4 | RK73HB1J101J | MG RESISTOR | 100Ω 1/16W J | 1 | |
| | R6 | RK73EB2E151J | MG RESISTOR | 150Ω 1/4W J | 1 | |
| | R8 | RK73HB1J473J | MG RESISTOR | 47kΩ 1/16W J | 1 | |
| | R10 | RK73HB1J152J | MG RESISTOR | 1.5kΩ 1/16W J | 1 | |
| | R14 | RK73HB1J274J | MG RESISTOR | 270kΩ 1/16W J | 1 | |
| | R21 | RK73EB2E391J | MG RESISTOR | 390Ω 1/4W J | 1 | |
| | R22 | RK73EB2E471J | MG RESISTOR | 470Ω 1/4W J | 1 | |
| | R23 | RK73EB2E331J | MG RESISTOR | 330Ω 1/4W J | 1 | |
| | R25 | RK73FB2B561J | MG RESISTOR | 560Ω 1/8W J | 1 | |
| | R26 | RK73FB2B681J | MG RESISTOR | 680Ω 1/8W J | 1 | |
| | R27 | RK73FB2B471J | MG RESISTOR | 470Ω 1/8W J | 1 | |
| | R33 | RK73EB2E511J | MG RESISTOR | 510Ω 1/4W J | 1 | |
| | R34 | RK73EB2E821J | MG RESISTOR | 820Ω 1/4W J | 1 | |
| | R35 | RK73EB2E561J | MG RESISTOR | 560Ω 1/4W J | 1 | |
| | R40 | RK73HB1J101J | MG RESISTOR | 100Ω 1/16W J | 1 | |

| | | | | | | | |
|--------------|------|--------------|------|--------------|------|----------|------|
| MODEL | MARK | MODEL | MARK | MODEL | MARK | MODEL | MARK |
| KDC-BT560DAB | E0 | KDC-BT760DAB | E1 | KDC-BT960DAB | E2 | KDC-X705 | K1 |
| KDC-BT782HD | K2 | KDC-BT760DAB | X1 | | | | |

| Safe | Symbol No. | Parts No. | Parts Name | Description | QTY | Local |
|------|------------|--------------|-----------------|---------------|-----|-------|
| R41 | | RK73HB1J101J | MG RESISTOR | 100Ω 1/16W J | 1 | |
| R42 | | RK73HB1J101J | MG RESISTOR | 100Ω 1/16W J | 1 | |
| R43 | | RK73HB1J101J | MG RESISTOR | 100Ω 1/16W J | 1 | |
| R44 | | RK73HB1J101J | MG RESISTOR | 100Ω 1/16W J | 1 | |
| R45 | | RK73HB1J101J | MG RESISTOR | 100Ω 1/16W J | 1 | |
| R46 | | RK73HB1J101J | MG RESISTOR | 100Ω 1/16W J | 1 | |
| R47 | | RK73HB1J101J | MG RESISTOR | 100Ω 1/16W J | 1 | |
| R48 | | RK73HB1J101J | MG RESISTOR | 100Ω 1/16W J | 1 | |
| R49 | | RK73HB1J101J | MG RESISTOR | 100Ω 1/16W J | 1 | |
| R50 | | RK73HB1J101J | MG RESISTOR | 100Ω 1/16W J | 1 | |
| R51 | | RK73HB1J101J | MG RESISTOR | 100Ω 1/16W J | 1 | |
| R52 | | RK73HB1J682J | MG RESISTOR | 6.8kΩ 1/16W J | 1 | |
| R53 | | RK73HB1J682J | MG RESISTOR | 6.8kΩ 1/16W J | 1 | |
| R54 | | RK73HB1J682J | MG RESISTOR | 6.8kΩ 1/16W J | 1 | |
| R55 | | RK73HB1J682J | MG RESISTOR | 6.8kΩ 1/16W J | 1 | |
| R56 | | RK73HB1J682J | MG RESISTOR | 6.8kΩ 1/16W J | 1 | |
| R57 | | RK73HB1J682J | MG RESISTOR | 6.8kΩ 1/16W J | 1 | |
| R60 | | RK73HB1J101J | MG RESISTOR | 100Ω 1/16W J | 1 | |
| R61 | | RK73HB1J101J | MG RESISTOR | 100Ω 1/16W J | 1 | |
| R62 | | RK73HB1J4R7J | MG RESISTOR | 4.7Ω 1/16W J | 1 | |
| R80 | | RK73EB2E221J | MG RESISTOR | 220Ω 1/4W J | 1 | |
| CN2 | | E5K-0007-00 | R.PLUG | | 1 | |
| FL80 | | L7K-0038-00 | FILTER | | 1 | |
| J60 | | E1B-0037-00 | 3.5D PHONE JACK | | 1 | |
| J80 | | E5J-0069-00 | USB TERMINAL | | 1 | |
| S20 | | T9K-0007-00 | ROTARY ENCODER | | 1 | |
| VA82 | | F0K-0420-00 | SURGE ABSORBER | | 1 | |

DAB TUNER PWB ASSY (XJM-033E-00) <XJM>

| | | | | | | |
|------|--|---------------|-------------|--------------|---|-------------|
| IC1 | | SI4763-A42-GM | MOS IC | | 1 | E0,E1,E2,X1 |
| IC2 | | MTV301CQ | MOS IC | | 1 | E0,E1,E2,X1 |
| IC3 | | GL3511S-B169 | MOS IC | | 1 | E0,E1,E2,X1 |
| IC4 | | W3F-0441-00 | ROM IC | | 1 | E0,E1,E2,X1 |
| IC5 | | MM3608A12NH | ANALOG IC | | 1 | E0,E1,E2,X1 |
| IC6 | | MM3608A18NH | ANALOG IC | | 1 | E0,E1,E2,X1 |
| IC7 | | MM3608A18NH | ANALOG IC | | 1 | E0,E1,E2,X1 |
| D431 | | UDZV3.3B | ZENER DIODE | | 1 | E0,E1,E2,X1 |
| C1 | | CC73JCH1H270J | C CAPACITOR | 27pF 50V J | 1 | E0,E1,E2,X1 |
| C2 | | CC73JCH1H390J | C CAPACITOR | 39pF 50V J | 1 | E0,E1,E2,X1 |
| C3 | | CK73JXR1H102K | C CAPACITOR | 1000pF 50V K | 1 | E0,E1,E2,X1 |
| C4 | | CK73JXR1H222K | C CAPACITOR | 2200pF 50V K | 1 | E0,E1,E2,X1 |
| C5 | | CK73JXR1C103K | C CAPACITOR | 0.01uF 16V K | 1 | E0,E1,E2,X1 |
| C6 | | CC73JCH1H010C | C CAPACITOR | 1pF 50V C | 1 | E0,E1,E2,X1 |
| C7 | | CC73JCH1H050C | C CAPACITOR | 5pF 50V C | 1 | E0,E1,E2,X1 |
| C10 | | CK73JXR1C104K | C CAPACITOR | 0.1uF 16V K | 1 | E0,E1,E2,X1 |
| C13 | | CK73JXR1H102K | C CAPACITOR | 1000pF 50V K | 1 | E0,E1,E2,X1 |
| C14 | | CK73GXR1H104K | C CAPACITOR | 0.1uF 50V K | 1 | E0,E1,E2,X1 |
| C15 | | CK73GXR1A106K | C CAPACITOR | 10uF 10V K | 1 | E0,E1,E2,X1 |
| C16 | | CK73JXR1H222K | C CAPACITOR | 2200pF 50V K | 1 | E0,E1,E2,X1 |
| C17 | | CK73JXR1H222K | C CAPACITOR | 2200pF 50V K | 1 | E0,E1,E2,X1 |
| C18 | | CC73JCH1H101J | C CAPACITOR | 100pF 50V J | 1 | E0,E1,E2,X1 |
| C19 | | CK73JXR1H222K | C CAPACITOR | 2200pF 50V K | 1 | E0,E1,E2,X1 |
| C20 | | CK73HXR1A105K | C CAPACITOR | 1uF 10V K | 1 | E0,E1,E2,X1 |
| C21 | | CK73HXR1A105K | C CAPACITOR | 1uF 10V K | 1 | E0,E1,E2,X1 |
| C22 | | CK73HXR1A105K | C CAPACITOR | 1uF 10V K | 1 | E0,E1,E2,X1 |
| C23 | | CK73JXR1H682K | C CAPACITOR | 6800pF 50V K | 1 | E0,E1,E2,X1 |
| C24 | | CK73JXR1H682K | C CAPACITOR | 6800pF 50V K | 1 | E0,E1,E2,X1 |
| C25 | | CK73GXR1A106K | C CAPACITOR | 10uF 10V K | 1 | E0,E1,E2,X1 |
| C26 | | CC73JCH1H150J | C CAPACITOR | 15pF 50V J | 1 | E0,E1,E2,X1 |
| C27 | | CC73JCH1H100D | C CAPACITOR | 10pF 50V D | 1 | E0,E1,E2,X1 |
| C28 | | CC73JCH1H180J | C CAPACITOR | 18pF 50V J | 1 | E0,E1,E2,X1 |
| C29 | | CK73JXR1C104K | C CAPACITOR | 0.1uF 16V K | 1 | E0,E1,E2,X1 |
| C30 | | CK73JXR1C104K | C CAPACITOR | 0.1uF 16V K | 1 | E0,E1,E2,X1 |
| C31 | | CK73JXR1C104K | C CAPACITOR | 0.1uF 16V K | 1 | E0,E1,E2,X1 |
| C32 | | CK73JXR1C104K | C CAPACITOR | 0.1uF 16V K | 1 | E0,E1,E2,X1 |
| C33 | | CK73GXR1H104K | C CAPACITOR | 0.1uF 50V K | 1 | E0,E1,E2,X1 |
| C36 | | CC73JCH1H060C | C CAPACITOR | 6pF 50V C | 1 | E0,E1,E2,X1 |
| C37 | | CC73JCH1H060C | C CAPACITOR | 6pF 50V C | 1 | E0,E1,E2,X1 |
| C38 | | CK73JXR1C104K | C CAPACITOR | 0.1uF 16V K | 1 | E0,E1,E2,X1 |
| C39 | | CK73GXR1A106K | C CAPACITOR | 10uF 10V K | 1 | E0,E1,E2,X1 |
| C41 | | CK73JXR1C104K | C CAPACITOR | 0.1uF 16V K | 1 | E0,E1,E2,X1 |
| C42 | | CC73JCH1H080C | C CAPACITOR | 8pF 50V C | 1 | E0,E1,E2,X1 |
| C43 | | CC73JCH1H030C | C CAPACITOR | 3pF 50V C | 1 | E0,E1,E2,X1 |
| C44 | | CC73JCH1H330J | C CAPACITOR | 33pF 50V J | 1 | E0,E1,E2,X1 |
| C45 | | CK73JXR1H222K | C CAPACITOR | 2200pF 50V K | 1 | E0,E1,E2,X1 |
| C46 | | CC73JCH1H680J | C CAPACITOR | 68pF 50V J | 1 | E0,E1,E2,X1 |
| C47 | | CK73JXR1H102K | C CAPACITOR | 1000pF 50V K | 1 | E0,E1,E2,X1 |
| C48 | | CK73JXR1C104K | C CAPACITOR | 0.1uF 16V K | 1 | E0,E1,E2,X1 |
| C49 | | CK73JXR1C104K | C CAPACITOR | 0.1uF 16V K | 1 | E0,E1,E2,X1 |
| C50 | | CK73JXR1C104K | C CAPACITOR | 0.1uF 16V K | 1 | E0,E1,E2,X1 |
| C51 | | CK73JXR1C104K | C CAPACITOR | 0.1uF 16V K | 1 | E0,E1,E2,X1 |
| C52 | | CK73JXR1C224K | C CAPACITOR | 0.22uF 16V K | 1 | E0,E1,E2,X1 |
| C53 | | CK73JXR1C104K | C CAPACITOR | 0.1uF 16V K | 1 | E0,E1,E2,X1 |
| C54 | | CK73JXR1C104K | C CAPACITOR | 0.1uF 16V K | 1 | E0,E1,E2,X1 |
| C55 | | CK73JXR1C104K | C CAPACITOR | 0.1uF 16V K | 1 | E0,E1,E2,X1 |
| C56 | | CK73JXR1C104K | C CAPACITOR | 0.1uF 16V K | 1 | E0,E1,E2,X1 |
| C57 | | CK73JXR1C104K | C CAPACITOR | 0.1uF 16V K | 1 | E0,E1,E2,X1 |
| C58 | | CK73JXR1C104K | C CAPACITOR | 0.1uF 16V K | 1 | E0,E1,E2,X1 |
| C59 | | CK73JXR1C104K | C CAPACITOR | 0.1uF 16V K | 1 | E0,E1,E2,X1 |
| C60 | | CK73JXR1C104K | C CAPACITOR | 0.1uF 16V K | 1 | E0,E1,E2,X1 |
| C61 | | CK73JXR1C104K | C CAPACITOR | 0.1uF 16V K | 1 | E0,E1,E2,X1 |
| C62 | | CK73JXR1C104K | C CAPACITOR | 0.1uF 16V K | 1 | E0,E1,E2,X1 |

| | | | | | | | |
|--------------|------|--------------|------|--------------|------|----------|------|
| MODEL | MARK | MODEL | MARK | MODEL | MARK | MODEL | MARK |
| KDC-BT560DAB | E0 | KDC-BT760DAB | E1 | KDC-BT960DAB | E2 | KDC-X705 | K1 |
| KDC-BT782HD | K2 | KDC-BT760DAB | X1 | | | | |

| Safe | Symbol No. | Parts No. | Parts Name | Description | QTY | Local |
|------|------------|---------------|-------------|---------------|-----|-------------|
| | C63 | CK73JXR1C104K | C CAPACITOR | 0.1uF 16V K | 1 | E0,E1,E2,X1 |
| | C64 | CK73JXR1C104K | C CAPACITOR | 0.1uF 16V K | 1 | E0,E1,E2,X1 |
| | C65 | CK73JXR1C104K | C CAPACITOR | 0.1uF 16V K | 1 | E0,E1,E2,X1 |
| | C66 | CK73JXR1C224K | C CAPACITOR | 0.22uF 16V K | 1 | E0,E1,E2,X1 |
| | C67 | CK73JXR1C224K | C CAPACITOR | 0.22uF 16V K | 1 | E0,E1,E2,X1 |
| | C68 | CK73JXR1C224K | C CAPACITOR | 0.22uF 16V K | 1 | E0,E1,E2,X1 |
| | C69 | CK73JXR1C224K | C CAPACITOR | 0.22uF 16V K | 1 | E0,E1,E2,X1 |
| | C70 | CK73JXR1C224K | C CAPACITOR | 0.22uF 16V K | 1 | E0,E1,E2,X1 |
| | C71 | CK73JXR1C104K | C CAPACITOR | 0.1uF 16V K | 1 | E0,E1,E2,X1 |
| | C72 | CK73JXR1C224K | C CAPACITOR | 0.22uF 16V K | 1 | E0,E1,E2,X1 |
| | C73 | CK73JXR1C224K | C CAPACITOR | 0.22uF 16V K | 1 | E0,E1,E2,X1 |
| | C74 | CK73JXR1C224K | C CAPACITOR | 0.22uF 16V K | 1 | E0,E1,E2,X1 |
| | C75 | CK73JXR1H102K | C CAPACITOR | 1000pF 50V K | 1 | E0,E1,E2,X1 |
| | C76 | CK73GXR0J475K | C CAPACITOR | 4.7uF 6.3V K | 1 | E0,E1,E2,X1 |
| | C77 | CK73GXR1A106K | C CAPACITOR | 10uF 10V K | 1 | E0,E1,E2,X1 |
| | C78 | CK73GXR1E225K | C CAPACITOR | 2.2uF 25V K | 1 | E0,E1,E2,X1 |
| | C79 | CK73FXR0J226M | C CAPACITOR | 22uF 6.3V M | 1 | E0,E1,E2,X1 |
| | C80 | CK73GXR1E225K | C CAPACITOR | 2.2uF 25V K | 1 | E0,E1,E2,X1 |
| | C81 | CK73GXR1A106K | C CAPACITOR | 10uF 10V K | 1 | E0,E1,E2,X1 |
| | C82 | CC73JCH1H100D | C CAPACITOR | 10pF 50V D | 1 | E0,E1,E2,X1 |
| | C86 | CC73JCH1H100D | C CAPACITOR | 10pF 50V D | 1 | E0,E1,E2,X1 |
| | C87 | CK73HXR1A105K | C CAPACITOR | 1uF 10V K | 1 | E0,E1,E2,X1 |
| | C96 | CC73JCH1H221J | C CAPACITOR | 220pF 50V J | 1 | E0,E1,E2,X1 |
| | C97 | CC73JCH1H100D | C CAPACITOR | 10pF 50V D | 1 | E0,E1,E2,X1 |
| | C9008 | CK73JXR1C472K | C CAPACITOR | 4700pF 16V K | 1 | E0,E1,E2,X1 |
| | C9012 | CK73JXR1C472K | C CAPACITOR | 4700pF 16V K | 1 | E0,E1,E2,X1 |
| | C9014 | CK73JXR1C103K | C CAPACITOR | 0.01uF 16V K | 1 | E0,E1,E2,X1 |
| | C9017 | CK73JXR1H222K | C CAPACITOR | 2200pF 50V K | 1 | E0,E1,E2,X1 |
| | C9020 | CC73HCH1H010C | C CAPACITOR | 1pF 50V C | 1 | E0,E1,E2,X1 |
| | C9021 | CC73JCH1H010C | C CAPACITOR | 1pF 50V C | 1 | E0,E1,E2,X1 |
| | C9023 | CC73HCH1H010C | C CAPACITOR | 1pF 50V C | 1 | E0,E1,E2,X1 |
| | C9024 | CC73JCH1H010C | C CAPACITOR | 1pF 50V C | 1 | E0,E1,E2,X1 |
| | C9026 | CC73JCH1H120J | C CAPACITOR | 12pF 50V J | 1 | E0,E1,E2,X1 |
| | C9027 | CK73GXR1A106K | C CAPACITOR | 10uF 10V K | 1 | E0,E1,E2,X1 |
| | C9028 | CC73JCH1E561J | C CAPACITOR | 560pF 25V J | 1 | E0,E1,E2,X1 |
| | C9029 | CC73JCH1E561J | C CAPACITOR | 560pF 25V J | 1 | E0,E1,E2,X1 |
| | C9030 | CK73JXR1C103K | C CAPACITOR | 0.01uF 16V K | 1 | E0,E1,E2,X1 |
| | C9031 | CK73JXR1E223K | C CAPACITOR | 0.022uF 25V K | 1 | E0,E1,E2,X1 |
| | C9033 | CK73JXR1C103K | C CAPACITOR | 0.01uF 16V K | 1 | E0,E1,E2,X1 |
| | C9035 | CC73JCH1H0R5C | C CAPACITOR | 0.5pF 50V C | 1 | E0,E1,E2,X1 |
| | C9036 | CK73JXR1C472K | C CAPACITOR | 4700pF 16V K | 1 | E0,E1,E2,X1 |
| | C9037 | CK73JXR1C103K | C CAPACITOR | 0.01uF 16V K | 1 | E0,E1,E2,X1 |
| | C9038 | CK73JXR1C103K | C CAPACITOR | 0.01uF 16V K | 1 | E0,E1,E2,X1 |
| | C9039 | CC73HCH1H010C | C CAPACITOR | 1pF 50V C | 1 | E0,E1,E2,X1 |
| | C9040 | CC73HCH1H010C | C CAPACITOR | 1pF 50V C | 1 | E0,E1,E2,X1 |
| | C9041 | CK73HXR1A105K | C CAPACITOR | 1uF 10V K | 1 | E0,E1,E2,X1 |
| | C9042 | CK73FXR0J226M | C CAPACITOR | 22uF 6.3V M | 1 | E0,E1,E2,X1 |
| | C9043 | CC73JCH1H010C | C CAPACITOR | 1pF 50V C | 1 | E0,E1,E2,X1 |
| | C9045 | CC73JCH1H010C | C CAPACITOR | 1pF 50V C | 1 | E0,E1,E2,X1 |
| | C9046 | CC73JCH1H010C | C CAPACITOR | 1pF 50V C | 1 | E0,E1,E2,X1 |
| | R1 | RK73HB1J474J | MG RESISTOR | 470kΩ 1/16W J | 1 | E0,E1,E2,X1 |
| | R2 | RK73HB1J474J | MG RESISTOR | 470kΩ 1/16W J | 1 | E0,E1,E2,X1 |
| | R3 | RK73HB1J471J | MG RESISTOR | 470Ω 1/16W J | 1 | E0,E1,E2,X1 |
| | R5 | RK73HB1J000J | MG RESISTOR | 0Ω 1/16W J | 1 | E0,E1,E2,X1 |
| | R6 | RK73HB1J240J | MG RESISTOR | 24Ω 1/16W J | 1 | E0,E1,E2,X1 |
| | R7 | RK73HB1J000J | MG RESISTOR | 0Ω 1/16W J | 1 | E0,E1,E2,X1 |
| | R13 | RK73HB1J470J | MG RESISTOR | 47Ω 1/16W J | 1 | E0,E1,E2,X1 |
| | R14 | RK73HB1J470J | MG RESISTOR | 47Ω 1/16W J | 1 | E0,E1,E2,X1 |
| | R15 | RK73HB1J470J | MG RESISTOR | 47Ω 1/16W J | 1 | E0,E1,E2,X1 |
| | R16 | RK73HB1J103J | MG RESISTOR | 10kΩ 1/16W J | 1 | E0,E1,E2,X1 |
| | R17 | RK73HB1J222J | MG RESISTOR | 2.2kΩ 1/16W J | 1 | E0,E1,E2,X1 |
| | R18 | RK73HB1J222J | MG RESISTOR | 2.2kΩ 1/16W J | 1 | E0,E1,E2,X1 |
| | R19 | RK73HB1J470J | MG RESISTOR | 47Ω 1/16W J | 1 | E0,E1,E2,X1 |
| | R20 | RK73HB1J470J | MG RESISTOR | 47Ω 1/16W J | 1 | E0,E1,E2,X1 |
| | R21 | RK73HB1J470J | MG RESISTOR | 47Ω 1/16W J | 1 | E0,E1,E2,X1 |
| | R22 | RK73HB1J470J | MG RESISTOR | 47Ω 1/16W J | 1 | E0,E1,E2,X1 |
| | R23 | RK73HB1J470J | MG RESISTOR | 47Ω 1/16W J | 1 | E0,E1,E2,X1 |
| | R24 | RK73HB1J470J | MG RESISTOR | 47Ω 1/16W J | 1 | E0,E1,E2,X1 |
| | R25 | RK73HB1J000J | MG RESISTOR | 0Ω 1/16W J | 1 | E0,E1,E2,X1 |
| | R26 | RK73HB1J000J | MG RESISTOR | 0Ω 1/16W J | 1 | E0,E1,E2,X1 |
| | R27 | RK73HB1J000J | MG RESISTOR | 0Ω 1/16W J | 1 | E0,E1,E2,X1 |
| | R28 | RK73HB1J000J | MG RESISTOR | 0Ω 1/16W J | 1 | E0,E1,E2,X1 |
| | R29 | RK73HB1J000J | MG RESISTOR | 0Ω 1/16W J | 1 | E0,E1,E2,X1 |
| | R30 | RK73HB1J000J | MG RESISTOR | 0Ω 1/16W J | 1 | E0,E1,E2,X1 |
| | R33 | RK73HB1J101J | MG RESISTOR | 100Ω 1/16W J | 1 | E0,E1,E2,X1 |
| | R34 | RK73HB1J101J | MG RESISTOR | 100Ω 1/16W J | 1 | E0,E1,E2,X1 |
| | R35 | RK73HB1J222J | MG RESISTOR | 2.2kΩ 1/16W J | 1 | E0,E1,E2,X1 |
| | R36 | RK73HB1J222J | MG RESISTOR | 2.2kΩ 1/16W J | 1 | E0,E1,E2,X1 |
| | R37 | RK73HB1J104J | MG RESISTOR | 100kΩ 1/16W J | 1 | E0,E1,E2,X1 |
| | R38 | RK73HB1J000J | MG RESISTOR | 0Ω 1/16W J | 1 | E0,E1,E2,X1 |
| | R39 | RK73HB1J104J | MG RESISTOR | 100kΩ 1/16W J | 1 | E0,E1,E2,X1 |
| | R40 | RK73HB1J104J | MG RESISTOR | 100kΩ 1/16W J | 1 | E0,E1,E2,X1 |
| | R41 | RK73HB1J104J | MG RESISTOR | 100kΩ 1/16W J | 1 | E0,E1,E2,X1 |
| | R44 | RK73HB1J000J | MG RESISTOR | 0Ω 1/16W J | 1 | E0,E1,E2,X1 |
| | R46 | RK73HH1J433D | MG RESISTOR | 43kΩ 1/16W D | 1 | E0,E1,E2,X1 |
| | R47 | RK73HH1J433D | MG RESISTOR | 43kΩ 1/16W D | 1 | E0,E1,E2,X1 |
| | R48 | RK73HH1J623D | MG RESISTOR | 62kΩ 1/16W D | 1 | E0,E1,E2,X1 |
| | R49 | RK73HH1J623D | MG RESISTOR | 62kΩ 1/16W D | 1 | E0,E1,E2,X1 |
| | R50 | RK73HB1J101J | MG RESISTOR | 100Ω 1/16W J | 1 | E0,E1,E2,X1 |
| | R51 | RK73HB1J101J | MG RESISTOR | 100Ω 1/16W J | 1 | E0,E1,E2,X1 |
| | R52 | RK73HB1J104J | MG RESISTOR | 100kΩ 1/16W J | 1 | E0,E1,E2,X1 |
| | R53 | RK73HB1J104J | MG RESISTOR | 100kΩ 1/16W J | 1 | E0,E1,E2,X1 |

| | | | | | | | |
|--------------|------|--------------|------|--------------|------|----------|------|
| MODEL | MARK | MODEL | MARK | MODEL | MARK | MODEL | MARK |
| KDC-BT560DAB | E0 | KDC-BT760DAB | E1 | KDC-BT960DAB | E2 | KDC-X705 | K1 |
| KDC-BT782HD | K2 | KDC-BT760DAB | X1 | | | | |

| Safe | Symbol No. | Parts No. | Parts Name | Description | QTY | Local |
|------|------------|---------------|-----------------|---------------|-----|-------------|
| | R54 | RK73HB1J103J | MG RESISTOR | 10kΩ 1/16W J | 1 | E0,E1,E2,X1 |
| | R55 | RK73HB1J104J | MG RESISTOR | 100kΩ 1/16W J | 1 | E0,E1,E2,X1 |
| | R56 | RK73HB1J103J | MG RESISTOR | 10kΩ 1/16W J | 1 | E0,E1,E2,X1 |
| | R57 | RK73HB1J104J | MG RESISTOR | 100kΩ 1/16W J | 1 | E0,E1,E2,X1 |
| | R58 | RK73HB1J104J | MG RESISTOR | 100kΩ 1/16W J | 1 | E0,E1,E2,X1 |
| | R59 | RK73HB1J101J | MG RESISTOR | 100Ω 1/16W J | 1 | E0,E1,E2,X1 |
| | R60 | RK73HB1J101J | MG RESISTOR | 100Ω 1/16W J | 1 | E0,E1,E2,X1 |
| | R61 | RK73HB1J101J | MG RESISTOR | 100Ω 1/16W J | 1 | E0,E1,E2,X1 |
| | R62 | RK73HB1J101J | MG RESISTOR | 100Ω 1/16W J | 1 | E0,E1,E2,X1 |
| | R63 | RK73HB1J101J | MG RESISTOR | 100Ω 1/16W J | 1 | E0,E1,E2,X1 |
| | R64 | RK73HB1J101J | MG RESISTOR | 100Ω 1/16W J | 1 | E0,E1,E2,X1 |
| | R65 | RK73HB1J103J | MG RESISTOR | 10kΩ 1/16W J | 1 | E0,E1,E2,X1 |
| | R66 | RK73HB1J103J | MG RESISTOR | 10kΩ 1/16W J | 1 | E0,E1,E2,X1 |
| | R67 | RK73HB1J103J | MG RESISTOR | 10kΩ 1/16W J | 1 | E0,E1,E2,X1 |
| | R68 | RK73HB1J103J | MG RESISTOR | 10kΩ 1/16W J | 1 | E0,E1,E2,X1 |
| | R69 | RK73HB1J101J | MG RESISTOR | 100Ω 1/16W J | 1 | E0,E1,E2,X1 |
| | R70 | RK73HB1J101J | MG RESISTOR | 100Ω 1/16W J | 1 | E0,E1,E2,X1 |
| | R71 | RK73HB1J101J | MG RESISTOR | 100Ω 1/16W J | 1 | E0,E1,E2,X1 |
| | R72 | RK73HB1J101J | MG RESISTOR | 100Ω 1/16W J | 1 | E0,E1,E2,X1 |
| | R73 | RK73HB1J101J | MG RESISTOR | 100Ω 1/16W J | 1 | E0,E1,E2,X1 |
| | R74 | RK73HB1J101J | MG RESISTOR | 100Ω 1/16W J | 1 | E0,E1,E2,X1 |
| | R75 | RK73HB1J103J | MG RESISTOR | 10kΩ 1/16W J | 1 | E0,E1,E2,X1 |
| | R76 | RK73HB1J103J | MG RESISTOR | 10kΩ 1/16W J | 1 | E0,E1,E2,X1 |
| | R77 | RK73HB1J103J | MG RESISTOR | 10kΩ 1/16W J | 1 | E0,E1,E2,X1 |
| | R78 | RK73HB1J103J | MG RESISTOR | 10kΩ 1/16W J | 1 | E0,E1,E2,X1 |
| | R79 | RK73HB1J103J | MG RESISTOR | 10kΩ 1/16W J | 1 | E0,E1,E2,X1 |
| | R80 | RK73HB1J103J | MG RESISTOR | 10kΩ 1/16W J | 1 | E0,E1,E2,X1 |
| | R81 | RK73HB1J470J | MG RESISTOR | 47Ω 1/16W J | 1 | E0,E1,E2,X1 |
| | R82 | RK73HB1J470J | MG RESISTOR | 47Ω 1/16W J | 1 | E0,E1,E2,X1 |
| | R83 | RK73HB1J470J | MG RESISTOR | 47Ω 1/16W J | 1 | E0,E1,E2,X1 |
| | R84 | RK73HB1J470J | MG RESISTOR | 47Ω 1/16W J | 1 | E0,E1,E2,X1 |
| | R88 | RK73HB1J470J | MG RESISTOR | 47Ω 1/16W J | 1 | E0,E1,E2,X1 |
| | R89 | RK73HB1J470J | MG RESISTOR | 47Ω 1/16W J | 1 | E0,E1,E2,X1 |
| | R90 | RK73HB1J470J | MG RESISTOR | 47Ω 1/16W J | 1 | E0,E1,E2,X1 |
| | R91 | RK73HB1J102J | MG RESISTOR | 1kΩ 1/16W J | 1 | E0,E1,E2,X1 |
| | R92 | RK73HB1J102J | MG RESISTOR | 1kΩ 1/16W J | 1 | E0,E1,E2,X1 |
| | R93 | RK73HB1J102J | MG RESISTOR | 1kΩ 1/16W J | 1 | E0,E1,E2,X1 |
| | R95 | RK73HB1J105J | MG RESISTOR | 1MΩ 1/16W J | 1 | E0,E1,E2,X1 |
| | R96 | RK73GB2A000J | MG RESISTOR | 0Ω 1/10W J | 1 | E0,E1,E2,X1 |
| | R97 | RK73GB2A000J | MG RESISTOR | 0Ω 1/10W J | 1 | E0,E1,E2,X1 |
| | R98 | RK73HB1J000J | MG RESISTOR | 0Ω 1/16W J | 1 | E0,E1,E2,X1 |
| | R100 | RK73HB1J000J | MG RESISTOR | 0Ω 1/16W J | 1 | E0,E1,E2,X1 |
| | R102 | RK73HB1J000J | MG RESISTOR | 0Ω 1/16W J | 1 | E0,E1,E2,X1 |
| | R105 | RK73HB1J102J | MG RESISTOR | 1kΩ 1/16W J | 1 | E0,E1,E2,X1 |
| | R447 | RK73HB1J101J | MG RESISTOR | 100Ω 1/16W J | 1 | E0,E1,E2,X1 |
| | R448 | RK73HB1J101J | MG RESISTOR | 100Ω 1/16W J | 1 | E0,E1,E2,X1 |
| | R449 | RK73HB1J101J | MG RESISTOR | 100Ω 1/16W J | 1 | E0,E1,E2,X1 |
| | R450 | RK73HB1J101J | MG RESISTOR | 100Ω 1/16W J | 1 | E0,E1,E2,X1 |
| | R451 | RK73HB1J101J | MG RESISTOR | 100Ω 1/16W J | 1 | E0,E1,E2,X1 |
| | R457 | RK73GB2A152J | MG RESISTOR | 1.5kΩ 1/10W J | 1 | E0,E1,E2,X1 |
| | R458 | RK73HB1J473J | MG RESISTOR | 47kΩ 1/16W J | 1 | E0,E1,E2,X1 |
| | R459 | RK73GB2A221J | MG RESISTOR | 220Ω 1/10W J | 1 | E0,E1,E2,X1 |
| | R9004 | RK73GB2A000J | MG RESISTOR | 0Ω 1/10W J | 1 | E0,E1,E2,X1 |
| | R9005 | RK73HB1J000J | MG RESISTOR | 0Ω 1/16W J | 1 | E0,E1,E2,X1 |
| | L2 | LK73G0BER12K | M.CHIP INDUCTOR | | 1 | E0,E1,E2,X1 |
| | L3 | LK73G0BE82NK | M.CHIP INDUCTOR | | 1 | E0,E1,E2,X1 |
| | L4 | LK73G0BER12K | M.CHIP INDUCTOR | | 1 | E0,E1,E2,X1 |
| | L5 | L1K-0001-00 | BALUN TRANS | | 1 | E0,E1,E2,X1 |
| | L6 | LK73G0BE1R8K | M.CHIP INDUCTOR | | 1 | E0,E1,E2,X1 |
| | L7 | LK73G0BER39K | M.CHIP INDUCTOR | | 1 | E0,E1,E2,X1 |
| | L8 | LK73G0BE100K | M.CHIP INDUCTOR | | 1 | E0,E1,E2,X1 |
| | L10 | LK73G0BF33NJ | M.CHIP INDUCTOR | | 1 | E0,E1,E2,X1 |
| | L11 | LK73G0BF68NJ | M.CHIP INDUCTOR | | 1 | E0,E1,E2,X1 |
| | L12 | LK73G0BFR15J | M.CHIP INDUCTOR | | 1 | E0,E1,E2,X1 |
| | L13 | LK73G0BFR15J | M.CHIP INDUCTOR | | 1 | E0,E1,E2,X1 |
| | L14 | LK73G0BF3N3S | M.CHIP INDUCTOR | | 1 | E0,E1,E2,X1 |
| | L15 | LK73G0BF5N6S | M.CHIP INDUCTOR | | 1 | E0,E1,E2,X1 |
| | L16 | LK73G0BF10NJ | M.CHIP INDUCTOR | | 1 | E0,E1,E2,X1 |
| | L17 | LK73G0BF10NJ | M.CHIP INDUCTOR | | 1 | E0,E1,E2,X1 |
| | L18 | LK73G0BF82NJ | M.CHIP INDUCTOR | | 1 | E0,E1,E2,X1 |
| | L20 | LK73G0BFR22J | M.CHIP INDUCTOR | | 1 | E0,E1,E2,X1 |
| | L21 | LK73G0BFR22J | M.CHIP INDUCTOR | | 1 | E0,E1,E2,X1 |
| | L22 | LB73G0FK-001 | CHIP FERRITE | | 1 | E0,E1,E2,X1 |
| | L23 | LB73G0EB-001 | CHIP FERRITE | | 1 | E0,E1,E2,X1 |
| | L24 | LB73G0EB-001 | CHIP FERRITE | | 1 | E0,E1,E2,X1 |
| | L26 | LB73G0EB-001 | CHIP FERRITE | | 1 | E0,E1,E2,X1 |
| | L29 | LB73H0CG-001 | CHIP FERRITE | | 1 | E0,E1,E2,X1 |
| | L30 | LB73H0CG-001 | CHIP FERRITE | | 1 | E0,E1,E2,X1 |
| | L31 | LB73G0AM-004 | CHIP FERRITE | | 1 | E0,E1,E2,X1 |
| | L32 | LR73Z0AD4R7M | CHIP INDUCTOR | | 1 | E0,E1,E2,X1 |
| | L33 | LB73H0AY-004 | CHIP FERRITE | | 1 | E0,E1,E2,X1 |
| | L34 | LB73H0AY-004 | CHIP FERRITE | | 1 | E0,E1,E2,X1 |
| | L35 | LB73H0AY-004 | CHIP FERRITE | | 1 | E0,E1,E2,X1 |
| | CN1 | EB740BH-0830B | B TO B CONNE | | 1 | E0,E1,E2,X1 |
| | E1 | F1B-0106-00 | SHIELDING CASE | | 1 | E0,E1,E2,X1 |
| | J1 | E0E-0058-00 | C.RECEPTACLE-SM | | 1 | E0,E1,E2,X1 |
| | TH1 | FSMD035-R | P THERMISTOR | | 1 | E0,E1,E2,X1 |
| | VA1 | F0K-0425-00 | SURGE ABSORBER | | 1 | E0,E1,E2,X1 |
| | X1 | L7J-0028-00 | QUARTZ CRYSTAL | | 1 | E0,E1,E2,X1 |
| | X2 | L7J-0027-00 | QUARTZ CRYSTAL | | 1 | E0,E1,E2,X1 |

| MODEL | MARK | MODEL | MARK | MODEL | MARK | MODEL | MARK |
|--------------|------|--------------|------|--------------|------|----------|------|
| KDC-BT560DAB | E0 | KDC-BT760DAB | E1 | KDC-BT960DAB | E2 | KDC-X705 | K1 |
| KDC-BT782HD | K2 | KDC-BT760DAB | X1 | | | | |

| Safe | Symbol No. | Parts No. | Parts Name | Description | QTY | Local |
|--|------------|---------------|-------------|---------------|-----|-------|
| HD TUNER PWB ASSY (XJM-035K-00) <XJM> | | | | | | |
| | IC1 | SI4763-A42-GM | MOS IC | | 1 | K1,K2 |
| | IC2 | SI4613-A10-GM | MOS IC | | 1 | K1,K2 |
| | IC3 | W3F-0442-00 | ROM IC | | 1 | K1,K2 |
| | IC4 | MM3608A18NH | ANALOG IC | | 1 | K1,K2 |
| | C2 | CC73HCH1H101J | C CAPACITOR | 100pF 50V J | 1 | K1,K2 |
| | C3 | CK73JXR1C222K | C CAPACITOR | 2200pF 16V K | 1 | K1,K2 |
| | C4 | CK73JXR1C222K | C CAPACITOR | 2200pF 16V K | 1 | K1,K2 |
| | C5 | CK73JXR1C222K | C CAPACITOR | 2200pF 16V K | 1 | K1,K2 |
| | C6 | CK73FXR1C106K | C CAPACITOR | 10uF 16V K | 1 | K1,K2 |
| | C7 | CK73JXR1C473K | C CAPACITOR | 0.047uF 16V K | 1 | K1,K2 |
| | C8 | CK73JXR1H102K | C CAPACITOR | 1000pF 50V K | 1 | K1,K2 |
| | C9 | CC73JCH1H390J | C CAPACITOR | 39pF 50V J | 1 | K1,K2 |
| | C10 | CC73JCH1H270J | C CAPACITOR | 27pF 50V J | 1 | K1,K2 |
| | C11 | CC73JCH1H0R5C | C CAPACITOR | 0.5pF 50V C | 1 | K1,K2 |
| | C15 | CC73HCH1H010C | C CAPACITOR | 1pF 50V C | 1 | K1,K2 |
| | C16 | CC73JCH1H050C | C CAPACITOR | 5pF 50V C | 1 | K1,K2 |
| | C18 | CK73JXR1A104K | C CAPACITOR | 0.1uF 10V K | 1 | K1,K2 |
| | C19 | CK73JXR1C103K | C CAPACITOR | 0.01uF 16V K | 1 | K1,K2 |
| | C20 | CK73FXR1C106K | C CAPACITOR | 10uF 16V K | 1 | K1,K2 |
| | C21 | CK73JXR1A104K | C CAPACITOR | 0.1uF 10V K | 1 | K1,K2 |
| | C22 | CC73JCH1E102J | C CAPACITOR | 1000pF 25V J | 1 | K1,K2 |
| | C25 | CK73JXR1H682K | C CAPACITOR | 6800pF 50V K | 1 | K1,K2 |
| | C26 | CK73JXR1H682K | C CAPACITOR | 6800pF 50V K | 1 | K1,K2 |
| | C27 | CK73HXR1C105K | C CAPACITOR | 1uF 16V K | 1 | K1,K2 |
| | C28 | CK73HXR1C105K | C CAPACITOR | 1uF 16V K | 1 | K1,K2 |
| | C29 | CC73JCH1H060D | C CAPACITOR | 6pF 50V D | 1 | K1,K2 |
| | C30 | CC73JCH1H060D | C CAPACITOR | 6pF 50V D | 1 | K1,K2 |
| | C33 | CK73HXR1C105K | C CAPACITOR | 1uF 16V K | 1 | K1,K2 |
| | C40 | CC73JCH1H020C | C CAPACITOR | 2pF 50V C | 1 | K1,K2 |
| | C42 | CC73JCH1H150J | C CAPACITOR | 15pF 50V J | 1 | K1,K2 |
| | C43 | CC73JCH1H150J | C CAPACITOR | 15pF 50V J | 1 | K1,K2 |
| | C44 | CC73GCH1H010C | C CAPACITOR | 1pF 50V C | 1 | K1,K2 |
| | C48 | CC73GCH1H010C | C CAPACITOR | 1pF 50V C | 1 | K1,K2 |
| | C50 | CC73JCH1H0R5C | C CAPACITOR | 0.5pF 50V C | 1 | K1,K2 |
| | C51 | CC73HCH1H010C | C CAPACITOR | 1pF 50V C | 1 | K1,K2 |
| | C52 | CC73HCH1H010C | C CAPACITOR | 1pF 50V C | 1 | K1,K2 |
| | C53 | CC73JCH1H0R5C | C CAPACITOR | 0.5pF 50V C | 1 | K1,K2 |
| | C54 | CC73JCH1H0R5C | C CAPACITOR | 0.5pF 50V C | 1 | K1,K2 |
| | C55 | CC73JCH1H101J | C CAPACITOR | 100pF 50V J | 1 | K1,K2 |
| | C56 | CC73GCH1H010C | C CAPACITOR | 1pF 50V C | 1 | K1,K2 |
| | C57 | CK73GXR1A475K | C CAPACITOR | 4.7uF 10V K | 1 | K1,K2 |
| | C101 | CC73JCH1H220J | C CAPACITOR | 22pF 50V J | 1 | K1,K2 |
| | C102 | CC73JCH1H220J | C CAPACITOR | 22pF 50V J | 1 | K1,K2 |
| | C103 | CC73JCH1H220J | C CAPACITOR | 22pF 50V J | 1 | K1,K2 |
| | C111 | CK73HXR1A105K | C CAPACITOR | 1uF 10V K | 1 | K1,K2 |
| | C113 | CK73HXR1A105K | C CAPACITOR | 1uF 10V K | 1 | K1,K2 |
| | C119 | CC73JCH1H150J | C CAPACITOR | 15pF 50V J | 1 | K1,K2 |
| | C121 | CK73JXR1C104K | C CAPACITOR | 0.1uF 16V K | 1 | K1,K2 |
| | C122 | CC73JCH1E102J | C CAPACITOR | 1000pF 25V J | 1 | K1,K2 |
| | C123 | CC73JCH1H180J | C CAPACITOR | 18pF 50V J | 1 | K1,K2 |
| | C124 | CC73JCH1H180J | C CAPACITOR | 18pF 50V J | 1 | K1,K2 |
| | C125 | CC73JCH1H180J | C CAPACITOR | 18pF 50V J | 1 | K1,K2 |
| | C127 | CK73JXR1A104K | C CAPACITOR | 0.1uF 10V K | 1 | K1,K2 |
| | C128 | CC73JCH1H020C | C CAPACITOR | 2pF 50V C | 1 | K1,K2 |
| | C129 | CK73JXR1C222K | C CAPACITOR | 2200pF 16V K | 1 | K1,K2 |
| | C131 | CC73JCH1H180J | C CAPACITOR | 18pF 50V J | 1 | K1,K2 |
| | C143 | CK73JXR1C222K | C CAPACITOR | 2200pF 16V K | 1 | K1,K2 |
| | C144 | CK73JXR1C222K | C CAPACITOR | 2200pF 16V K | 1 | K1,K2 |
| | C146 | CK73JXR1C222K | C CAPACITOR | 2200pF 16V K | 1 | K1,K2 |
| | C9002 | CK73GXR0J106K | C CAPACITOR | 10uF 6.3V K | 1 | K1,K2 |
| | C9003 | CK73HXR1A105K | C CAPACITOR | 1uF 10V K | 1 | K1,K2 |
| | C9004 | CC73HCH1H010C | C CAPACITOR | 1pF 50V C | 1 | K1,K2 |
| | C9005 | CC73HCH1H010C | C CAPACITOR | 1pF 50V C | 1 | K1,K2 |
| | C9006 | CC73JCH1H010C | C CAPACITOR | 1pF 50V C | 1 | K1,K2 |
| | C9007 | CC73JCH1H010C | C CAPACITOR | 1pF 50V C | 1 | K1,K2 |
| | C9009 | CK73JXR0J474K | C CAPACITOR | 0.47uF 6.3V K | 1 | K1,K2 |
| | C9010 | CC73JCH1H150J | C CAPACITOR | 15pF 50V J | 1 | K1,K2 |
| | C9011 | CC73JCH1H150J | C CAPACITOR | 15pF 50V J | 1 | K1,K2 |
| | C9013 | CC73HCH1H010C | C CAPACITOR | 1pF 50V C | 1 | K1,K2 |
| | C9016 | CC73HCH1H010C | C CAPACITOR | 1pF 50V C | 1 | K1,K2 |
| | C9019 | CC73JCH1H010C | C CAPACITOR | 1pF 50V C | 1 | K1,K2 |
| | C9020 | CC73JCH1H010C | C CAPACITOR | 1pF 50V C | 1 | K1,K2 |
| | C9023 | CC73JCH1H010C | C CAPACITOR | 1pF 50V C | 1 | K1,K2 |
| | C58 | RK73HB1J222J | MG RESISTOR | 2.2kΩ 1/16W J | 1 | K1,K2 |
| | C59 | RK73GB2A000J | MG RESISTOR | 0Ω 1/10W J | 1 | K1,K2 |
| | R1 | RK73HB1J000J | MG RESISTOR | 0Ω 1/16W J | 1 | K1,K2 |
| | R3 | RK73HB1J240J | MG RESISTOR | 24Ω 1/16W J | 1 | K1,K2 |
| | R4 | RK73HB1J474J | MG RESISTOR | 470kΩ 1/16W J | 1 | K1,K2 |
| | R5 | RK73HB1J474J | MG RESISTOR | 470kΩ 1/16W J | 1 | K1,K2 |
| | R10 | RK73HB1J222J | MG RESISTOR | 2.2kΩ 1/16W J | 1 | K1,K2 |
| | R11 | RK73HB1J222J | MG RESISTOR | 2.2kΩ 1/16W J | 1 | K1,K2 |
| | R12 | RK73HB1J103J | MG RESISTOR | 10kΩ 1/16W J | 1 | K1,K2 |
| | R14 | RK73HB1J471J | MG RESISTOR | 470Ω 1/16W J | 1 | K1,K2 |
| | R16 | RK73HB1J470J | MG RESISTOR | 47Ω 1/16W J | 1 | K1,K2 |
| | R17 | RK73HB1J470J | MG RESISTOR | 47Ω 1/16W J | 1 | K1,K2 |
| | R18 | RK73HB1J470J | MG RESISTOR | 47Ω 1/16W J | 1 | K1,K2 |
| | R26 | RK73HB1J000J | MG RESISTOR | 0Ω 1/16W J | 1 | K1,K2 |
| | R39 | RK73HB1J102J | MG RESISTOR | 1kΩ 1/16W J | 1 | K1,K2 |
| | R40 | RK73GB2A000J | MG RESISTOR | 0Ω 1/10W J | 1 | K1,K2 |
| | R41 | RK73HB1J000J | MG RESISTOR | 0Ω 1/16W J | 1 | K1,K2 |

| | | | | | | | |
|--------------|------|--------------|------|--------------|------|----------|------|
| MODEL | MARK | MODEL | MARK | MODEL | MARK | MODEL | MARK |
| KDC-BT560DAB | E0 | KDC-BT760DAB | E1 | KDC-BT960DAB | E2 | KDC-X705 | K1 |
| KDC-BT782HD | K2 | KDC-BT760DAB | X1 | | | | |

| Safe | Symbol No. | Parts No. | Parts Name | Description | QTY | Local |
|-------|------------|---------------|-----------------|---------------|-----|-------|
| R42 | | RK73HB1J000J | MG RESISTOR | 0Ω 1/16W J | 1 | K1,K2 |
| R43 | | RK73HB1J000J | MG RESISTOR | 0Ω 1/16W J | 1 | K1,K2 |
| R44 | | RK73HB1J000J | MG RESISTOR | 0Ω 1/16W J | 1 | K1,K2 |
| R51 | | RK73HB1J331J | MG RESISTOR | 330Ω 1/16W J | 1 | K1,K2 |
| R52 | | RK73HB1J331J | MG RESISTOR | 330Ω 1/16W J | 1 | K1,K2 |
| R53 | | RK73HB1J331J | MG RESISTOR | 330Ω 1/16W J | 1 | K1,K2 |
| R54 | | RK73HB1J222J | MG RESISTOR | 2.2kΩ 1/16W J | 1 | K1,K2 |
| R60 | | RK73HB1J102J | MG RESISTOR | 1kΩ 1/16W J | 1 | K1,K2 |
| R61 | | RK73HB1J102J | MG RESISTOR | 1kΩ 1/16W J | 1 | K1,K2 |
| R62 | | RK73EB2E000J | MG RESISTOR | 0Ω 1/4W J | 1 | K1,K2 |
| R103 | | RK73HB1J000J | MG RESISTOR | 0Ω 1/16W J | 1 | K1,K2 |
| R104 | | RK73HB1J000J | MG RESISTOR | 0Ω 1/16W J | 1 | K1,K2 |
| R105 | | RK73HB1J000J | MG RESISTOR | 0Ω 1/16W J | 1 | K1,K2 |
| R107 | | RK73HB1J330J | MG RESISTOR | 33Ω 1/16W J | 1 | K1,K2 |
| R108 | | RK73HB1J330J | MG RESISTOR | 33Ω 1/16W J | 1 | K1,K2 |
| R109 | | RK73HB1J470J | MG RESISTOR | 47Ω 1/16W J | 1 | K1,K2 |
| R110 | | RK73HB1J470J | MG RESISTOR | 47Ω 1/16W J | 1 | K1,K2 |
| R111 | | RK73HB1J470J | MG RESISTOR | 47Ω 1/16W J | 1 | K1,K2 |
| R112 | | RK73HB1J470J | MG RESISTOR | 47Ω 1/16W J | 1 | K1,K2 |
| R114 | | RK73HB1J470J | MG RESISTOR | 47Ω 1/16W J | 1 | K1,K2 |
| R115 | | RK73HB1J223J | MG RESISTOR | 22kΩ 1/16W J | 1 | K1,K2 |
| R116 | | RK73HB1J223J | MG RESISTOR | 22kΩ 1/16W J | 1 | K1,K2 |
| R121 | | RK73HB1J470J | MG RESISTOR | 47Ω 1/16W J | 1 | K1,K2 |
| R122 | | RK73HB1J470J | MG RESISTOR | 47Ω 1/16W J | 1 | K1,K2 |
| R123 | | RK73HB1J470J | MG RESISTOR | 47Ω 1/16W J | 1 | K1,K2 |
| R124 | | RK73HB1J470J | MG RESISTOR | 47Ω 1/16W J | 1 | K1,K2 |
| R127 | | RK73HB1J122J | MG RESISTOR | 1.2kΩ 1/16W J | 1 | K1,K2 |
| R129 | | RK73HB1J470J | MG RESISTOR | 47Ω 1/16W J | 1 | K1,K2 |
| R140 | | RK73HB1J000J | MG RESISTOR | 0Ω 1/16W J | 1 | K1,K2 |
| R141 | | RK73HB1J103J | MG RESISTOR | 10kΩ 1/16W J | 1 | K1,K2 |
| R142 | | RK73HB1J103J | MG RESISTOR | 10kΩ 1/16W J | 1 | K1,K2 |
| R143 | | RK73HB1J103J | MG RESISTOR | 10kΩ 1/16W J | 1 | K1,K2 |
| R144 | | RK73HB1J103J | MG RESISTOR | 10kΩ 1/16W J | 1 | K1,K2 |
| R145 | | RK73HB1J102J | MG RESISTOR | 1kΩ 1/16W J | 1 | K1,K2 |
| R155 | | RK73HB1J470J | MG RESISTOR | 47Ω 1/16W J | 1 | K1,K2 |
| R166 | | RK73HB1J102J | MG RESISTOR | 1kΩ 1/16W J | 1 | K1,K2 |
| R9005 | | RK73EB2E000J | MG RESISTOR | 0Ω 1/4W J | 1 | K1,K2 |
| R9007 | | RK73EB2E000J | MG RESISTOR | 0Ω 1/4W J | 1 | K1,K2 |
| R9008 | | RK73HB1J000J | MG RESISTOR | 0Ω 1/16W J | 1 | K1,K2 |
| L1 | | LK73H0BUR18K | M.CHIP INDUCTOR | | 1 | K1,K2 |
| L2 | | LK73G0BE82NK | M.CHIP INDUCTOR | | 1 | K1,K2 |
| L3 | | LK73G0BER12K | M.CHIP INDUCTOR | | 1 | K1,K2 |
| L4 | | LK73H0BU1R2K | M.CHIP INDUCTOR | | 1 | K1,K2 |
| L5 | | LK73G0BE1R8K | M.CHIP INDUCTOR | | 1 | K1,K2 |
| L8 | | LK73G0BER39K | M.CHIP INDUCTOR | | 1 | K1,K2 |
| L9 | | LK73G0AS10NJ | M.CHIP INDUCTOR | | 1 | K1,K2 |
| L10 | | L1K-0001-00 | BALUN TRANS | | 1 | K1,K2 |
| L14 | | LK73G0BE100K | M.CHIP INDUCTOR | | 1 | K1,K2 |
| L21 | | LB73G0EB-001 | CHIP FERRITE | | 1 | K1,K2 |
| L22 | | LB73G0EB-001 | CHIP FERRITE | | 1 | K1,K2 |
| L101 | | LB73G0FK-001 | CHIP FERRITE | | 1 | K1,K2 |
| L9001 | | LR7320AD4R7M | CHIP INDUCTOR | | 1 | K1,K2 |
| CN1 | | EB740BH-0830B | B TO B CONNE | | 1 | K1,K2 |
| E1 | | F1B-0107-00 | SHIELDING CASE | | 1 | K1,K2 |
| X1 | | L7J-0021-00 | QUARTZ CRYSTAL | | 1 | K1,K2 |

CD MECHA PWB ASSY (XJD-018W-00) <XJD>

| | | | | | | |
|-----|--|---------------|-------------|---------------|---|--|
| IC1 | | MN6627553APA | ANALOG IC | | 1 | |
| IC2 | | BD8266EFV-M | ANALOG IC | | 1 | |
| Q1 | | 2SB1197K/QR/ | TRANSISTOR | | 1 | |
| C1 | | CK73JXR1A104K | C CAPACITOR | 0.1uF 10V K | 1 | |
| C3 | | CK73JXR1A104K | C CAPACITOR | 0.1uF 10V K | 1 | |
| C4 | | CK73JXR1A104K | C CAPACITOR | 0.1uF 10V K | 1 | |
| C7 | | CK73HXR1A334K | C CAPACITOR | 0.33uF 10V K | 1 | |
| C8 | | CC73JCH1E102J | C CAPACITOR | 1000pF 25V J | 1 | |
| C9 | | CK73JXR1A104K | C CAPACITOR | 0.1uF 10V K | 1 | |
| C10 | | CC73JCH1E102J | C CAPACITOR | 1000pF 25V J | 1 | |
| C11 | | CK73JXR1A104K | C CAPACITOR | 0.1uF 10V K | 1 | |
| C12 | | CK73JXR1A153K | C CAPACITOR | 0.015uF 10V K | 1 | |
| C13 | | CC73JCH1E681J | C CAPACITOR | 680pF 25V J | 1 | |
| C14 | | CK73JXR1A104K | C CAPACITOR | 0.1uF 10V K | 1 | |
| C15 | | CK73GXR0J475K | C CAPACITOR | 4.7uF 6.3V K | 1 | |
| C16 | | CK73HXR0J105K | C CAPACITOR | 1uF 6.3V K | 1 | |
| C17 | | CK73HXR1A334K | C CAPACITOR | 0.33uF 10V K | 1 | |
| C18 | | CK73JXR1H332K | C CAPACITOR | 3300pF 50V K | 1 | |
| C19 | | CK73JXR1E223K | C CAPACITOR | 0.022uF 25V K | 1 | |
| C20 | | CK73GXR1A106K | C CAPACITOR | 10uF 10V K | 1 | |
| C21 | | CK73HXR1A334K | C CAPACITOR | 0.33uF 10V K | 1 | |
| C26 | | CK73GXR1A106K | C CAPACITOR | 10uF 10V K | 1 | |
| C27 | | CK73JXR1A104K | C CAPACITOR | 0.1uF 10V K | 1 | |
| C28 | | CK73JXR1A104K | C CAPACITOR | 0.1uF 10V K | 1 | |
| C50 | | CK73JXR1H682K | C CAPACITOR | 6800pF 50V K | 1 | |
| C51 | | CK73JXR1H682K | C CAPACITOR | 6800pF 50V K | 1 | |
| C52 | | CK73JXR1H103K | C CAPACITOR | 0.01uF 50V K | 1 | |
| C53 | | CK73JXR1H103K | C CAPACITOR | 0.01uF 50V K | 1 | |
| C55 | | CK73HXR1A154K | C CAPACITOR | 0.15uF 10V K | 1 | |
| C60 | | CC73JCH1E102J | C CAPACITOR | 1000pF 25V J | 1 | |
| C61 | | CC73JCH1E102J | C CAPACITOR | 1000pF 25V J | 1 | |
| C62 | | CK73GXR1A106K | C CAPACITOR | 10uF 10V K | 1 | |
| C82 | | CC73JCH1E681J | C CAPACITOR | 680pF 25V J | 1 | |
| C83 | | CC73JCH1H120J | C CAPACITOR | 12pF 50V J | 1 | |
| C84 | | CC73JCH1H120J | C CAPACITOR | 12pF 50V J | 1 | |

| | | | | | | | |
|--------------|------|--------------|------|--------------|------|----------|------|
| MODEL | MARK | MODEL | MARK | MODEL | MARK | MODEL | MARK |
| KDC-BT560DAB | E0 | KDC-BT760DAB | E1 | KDC-BT960DAB | E2 | KDC-X705 | K1 |
| KDC-BT782HD | K2 | KDC-BT760DAB | X1 | | | | |

| Safe | Symbol No. | Parts No. | Parts Name | Description | QTY | Local |
|------|------------|---------------|----------------|---------------|-----|-------|
| | C85 | CK73JXR1A104K | C CAPACITOR | 0.1uF 10V K | 1 | |
| | C244 | CK73HXR1A154K | C CAPACITOR | 0.15uF 10V K | 1 | |
| | R3 | RK73HB1J821J | MG RESISTOR | 820Ω 1/16W J | 1 | |
| | R4 | RK73HB1J105J | MG RESISTOR | 1MΩ 1/16W J | 1 | |
| | R7 | RK73HB1J272J | MG RESISTOR | 2.7kΩ 1/16W J | 1 | |
| | R8 | RK73HB1J821J | MG RESISTOR | 820Ω 1/16W J | 1 | |
| | R9 | RK73HB1J823J | MG RESISTOR | 82kΩ 1/16W J | 1 | |
| | R10 | RK73FB2B4R7J | MG RESISTOR | 4.7Ω 1/8W J | 1 | |
| | R11 | RK73HB1J822J | MG RESISTOR | 8.2kΩ 1/16W J | 1 | |
| | R12 | RK73HB1J105J | MG RESISTOR | 1MΩ 1/16W J | 1 | |
| | R17 | RK73HB1J123J | MG RESISTOR | 12kΩ 1/16W J | 1 | |
| | R18 | RK73HB1J822J | MG RESISTOR | 8.2kΩ 1/16W J | 1 | |
| | R20 | RK73HB1J103J | MG RESISTOR | 10kΩ 1/16W J | 1 | |
| | R21 | RK73HB1J822J | MG RESISTOR | 8.2kΩ 1/16W J | 1 | |
| | R23 | RK73HB1J183J | MG RESISTOR | 18kΩ 1/16W J | 1 | |
| | R24 | RK73HB1J272J | MG RESISTOR | 2.7kΩ 1/16W J | 1 | |
| | R26 | RK73HB1J223J | MG RESISTOR | 22kΩ 1/16W J | 1 | |
| | R28 | RK73HB1J114J | MG RESISTOR | 110kΩ 1/16W J | 1 | |
| | R31 | RK73HB1J821J | MG RESISTOR | 820Ω 1/16W J | 1 | |
| | R32 | RK73HB1J821J | MG RESISTOR | 820Ω 1/16W J | 1 | |
| | R33 | RK73HB1J131J | MG RESISTOR | 130Ω 1/16W J | 1 | |
| | R37 | RK73HB1J103J | MG RESISTOR | 10kΩ 1/16W J | 1 | |
| | R44 | RK73HB1J101J | MG RESISTOR | 100Ω 1/16W J | 1 | |
| | R47 | RK73HB1J101J | MG RESISTOR | 100Ω 1/16W J | 1 | |
| | R48 | RK73HB1J101J | MG RESISTOR | 100Ω 1/16W J | 1 | |
| | R49 | RK73HB1J101J | MG RESISTOR | 100Ω 1/16W J | 1 | |
| | R50 | RK73HB1J101J | MG RESISTOR | 100Ω 1/16W J | 1 | |
| | R51 | RK73HB1J101J | MG RESISTOR | 100Ω 1/16W J | 1 | |
| | R52 | RK73HB1J562J | MG RESISTOR | 5.6kΩ 1/16W J | 1 | |
| | R53 | RK73HB1J562J | MG RESISTOR | 5.6kΩ 1/16W J | 1 | |
| | R54 | RK73HB1J562J | MG RESISTOR | 5.6kΩ 1/16W J | 1 | |
| | R305 | RK73HB1J101J | MG RESISTOR | 100Ω 1/16W J | 1 | |
| | L1 | LB73G0EA-002 | CHIP FERRITE | | 1 | |
| | L2 | LB73H0AY-004 | CHIP FERRITE | | 1 | |
| | L3 | LB73H0AY-004 | CHIP FERRITE | | 1 | |
| | CN1 | EC720AE-1026B | FFC FPC CONNE | | 1 | |
| | CN2 | EC720AK-0515A | FFC FPC CONNE | | 1 | |
| | S1 | S6J-0010-00 | PUSH SWITCH | | 1 | |
| | S2 | S6J-0010-00 | PUSH SWITCH | | 1 | |
| | S3 | S6J-0011-00 | PUSH SWITCH | | 1 | |
| | X1 | L7J-0005-00 | QUARTZ CRYSTAL | | 1 | |