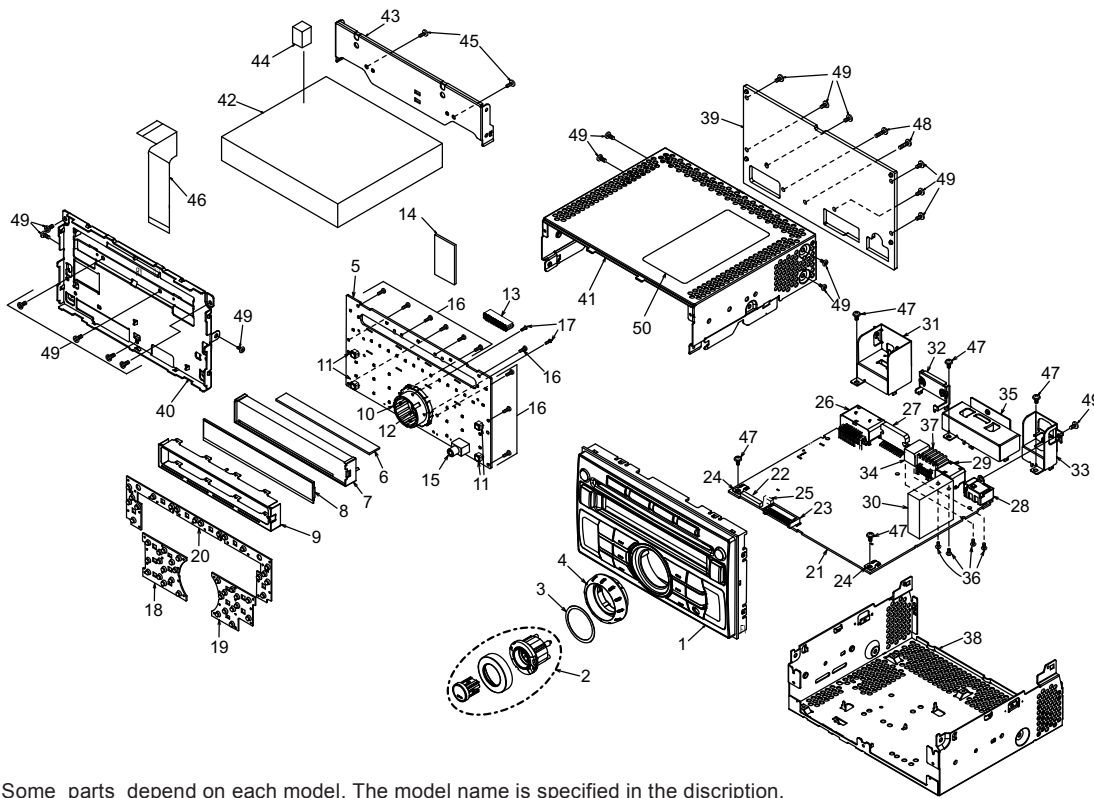


# EXPLODED VIEW/PARTS LIST

Main section



Note) Some parts depend on each model. The model name is specified in the discription.

M-A : PP-3135M-A, M-B : PP-3135M-B, M-C : PP-3135M-C, L-A : PN-3135L-A

NO.	PART NO.	DESCRIPTION	Q'TY	NO.	PART NO.	DESCRIPTION	Q'TY
1	940-8441-11 940-8441-60 940-8441-15 940-8441-40	ES-ASSY (M-A) ES-ASSY (M-B) ES-ASSY (M-C) ES-ASSY (L-A)	1	26	074-4009-20	SOCKET (20P)	1
2	947-0591-00	KNOB ASSY	1	27	051-2067-00	IC (TB2946HQ))	1
3	347-7959-10	SHADE	1	28	092-2210-01	ANT-RECEPT	1
4	380-5655-00	KNOB	1	29	074-1302-16	SOCKET (16P)	1
5	-----	Switch PWB	1	30	880-2091L	AM/FM TUNER	1
6	345-6311-01	RUBBER CONNECT	1	31	331-4679-00	SOCKET HOLDER	1
7	335-8365-00	LCD-HOLDER	1	32	331-4678-00	IC-HOLDER	1
8	379-1434-50	INDICATOR (LCD)	1	33	331-4676-00	ANT-HOLDER	1
9	331-4675-01	LCD COVER	1	34	074-1302-08	SOCKET (8P)	1
10	016-7004-00	ROTARY SWITCH	1	35	331-4677-00	SHIELD CASE	1
11	013-6202-52	TACT SWITCH	4	36	778-3006-00	SPECIAL SCREW (M3x6)	4
12	013-6201-53	SWITCH	1	37	074-1013-00	SOCKET (12P)	1
13	074-3033-26	SOCKET (26P)	1	38	311-1969-00	LOWER CASE	1
14	345-8090-00	CUSHION RUBBER	1	39	313-2052-30	HEAT SINK	1
15	075-0395-01	JACK	1	40	309-1885-00	ES-PLATE (1CD)	1
16	716-0778-52	WAVE SCREW (2x6)	10	41	310-1889-00	UPPER CASE	1
17	716-0872-51	SCREW (M1.7x5)	2	42	929-5027-81	CD-MECH-MODULE	1
18	345-6308-00	RUBBER SW (LH)	1	43	331-4123-00	CD BRKT	1
19	345-6309-00	RUBBER SW (RH)	1	44	345-6006-02	GASKET (M-B Only)	1
20	345-6310-00	RUBBER SW (UP)	1	45	714-2603-89	MACHINE SCREW (M2.6x3)	2
21	-----	Main PWB	1	46	816-3020-51	FLAT WIRE	1
22	074-1189-88	SOCKET (38P)	1	47	716-0878-50	SCREW (M2.6x5)	5
23	076-3011-76	PLUG (26P)	1	48	735-2614-1B	D-SEMS SCREW (M2.6x5)	2
24	073-0762-90	TERMINAL	2	49	714-2606-8B	MACHINE SCREW (M2.6x6)	18
25	076-6000-59	PLUG (9P) (M-A No used)	1	50	276-0066-15 276-0066-16 276-0066-17 276-0153-06	SETPLATE (M-A) SETPLATE (M-B) SETPLATE (M-C) SETPLATE (L-A)	1

PP-3135M  
PN-3135L

# ELECTRICAL PARTS LIST

## Main PWB(B1) section

Note) Some parts depend on each model . The model name is specified in the description.  
M-A : PP-3135M-A, M-B : PP-3135M-B, M-C : PP-3135M-C, L-A : PN-3135L-A

REF No.	PART No.	DESCRIPTION	REF No.	PART No.	DESCRIPTION	REF No.	PART No.	DESCRIPTION
ANT101	092-2210-01	ANT-RECEPT	C258	168-5622-55	5600pF K	C401	168-1042-78	16V 0.1uF K
BL101	880-2901L	TUNER PACK	C259	168-2222-55	2200pF K	C402	168-1042-78	16V 0.1uF K
C101	168-2222-55	2200pF K	C301	163-4753-65	50V 4.7uF	C403	166-2201-50	22pF CH
C104	119-0000-05	1/10W 0 ohm JW	C302	168-1042-78	16V 0.1uF K	C404	166-2201-50	22pF CH
C112	043-0319-51	200pF J CH	C303	166-1811-50	180pF CH	C405	168-4722-55	4700pF K
C113	166-2201-50	22pF CH	C304	168-1042-78	16V 0.1uF K	C406	168-2242-58	0.22uF K
C118	168-1022-55	1000pF K	C305	168-1042-78	16V 0.1uF K	C408	166-1801-50	18pF CH
C121	163-1073-35	16V 100uF	C306	166-8097-50	8pF C CH	C409	168-1042-78	16V 0.1uF K
C124	168-2222-55	2200pF K	C307	166-8097-50	8pF C CH	C410	163-4763-15	6.3V 47uF
C127	168-1022-55	1000pF K	C308	168-1022-55	1000pF K	C411	168-1042-78	16V 0.1uF K
C129	168-1022-55	1000pF K	C309	163-4753-65	50V 4.7uF	C412	168-1032-55	0.01uF K
C132	168-1022-55	1000pF K	C310	168-1042-78	16V 0.1uF K	C414	168-2242-58	0.22uF K
C135	168-1022-55	1000pF K	C311	163-4753-65	50V 4.7uF	C415	168-2242-58	0.22uF K
C136	163-1073-35	16V 100uF	C312	168-1042-78	16V 0.1uF K	C416	168-2242-58	0.22uF K
C145	168-6822-55	6800pF K (L-A,No use)	C313	168-1022-55	1000pF K	C417	168-2242-58	0.22uF K
C146	163-3363-25	10V 33uF (L-A,No use)	C314	168-1022-55	1000pF K	C418	168-2242-58	0.22uF K
C147	163-3363-25	10V 33uF (L-A,No use)	C315	166-1011-50	100pF CH	C419	168-1022-55	1000pF K
C148	166-5601-50	56pF CH (L-A,No use)	C316	168-1042-78	16V 0.1uF K	C420	168-4722-55	4700pF K
C150	166-2201-50	22pF CH (L-A,No use)	C317	168-5622-55	5600pF K	C501	168-1042-78	16V 0.1uF K
C151	166-5601-50	56pF CH (L-A,No use)	C318	168-5622-55	5600pF K	C502	168-1042-78	16V 0.1uF K
C152	163-1063-35	16V 10uF	C319	166-1011-50	100pF CH	C503	168-1042-78	16V 0.1uF K
C153	166-2201-50	22pF CH (L-A,No use)	C320	166-1011-50	100pF CH	C504	168-1042-78	16V 0.1uF K
C154	163-1063-35	16V 10uF	C322	168-1022-55	1000pF K	C506	166-5611-50	560pF CH
C155	043-0570-90	16V 2.2uF K (L-A,No use)	C323	168-1022-55	1000pF K	C507	166-5611-50	560pF CH
C156	168-1042-78	16V 0.1uF K (L-A,No use)	C324	163-2273-05	4V 220uF	C509	166-5611-50	560pF CH
C157	168-1022-55	1000pF K	C325	168-2222-55	2200pF K	C510	166-5611-50	560pF CH
C203	168-1042-78	16V 0.1uF K	C326	166-4711-50	470pF CH	C511	166-2201-50	22pF CH
C204	163-3363-25	10V 33uF	C327	163-2263-35	16V 22uF	C512	166-2201-50	22pF CH
C205	043-0570-90	16V 2.2uF K	C328	163-4763-15	6.3V 47uF	C513	166-2201-50	22pF CH
C206	043-0570-90	16V 2.2uF K	C330	166-1011-50	100pF CH	C514	166-2201-50	22pF CH
C207	043-0570-90	16V 2.2uF K	C331	168-1042-78	16V 0.1uF K	C515	168-1052-78	16V 1uF K
C208	043-0570-90	16V 2.2uF K	C332	166-1011-50	100pF CH	C516	163-1073-35	16V 100uF
C209	043-0570-90	16V 2.2uF K	C333	168-1022-55	1000pF K	C518	166-5611-50	560pF CH
C210	043-0570-90	16V 2.2uF K	C334	168-1022-55	1000pF K	C519	166-5611-50	560pF CH
C211	043-0570-90	16V 2.2uF K	C335	163-1063-35	16V 10uF	C520	168-3342-58	0.33uF K
C212	043-0570-90	16V 2.2uF K	C336	168-1052-78	16V 1uF K	C521	166-5611-50	560pF CH
C213	168-1022-55	1000pF K (L-A,No use)	C337	168-3332-78	0.033uF K	C522	166-5611-50	560pF CH
C214	168-1022-55	1000pF K	C338	168-1022-55	1000pF K	C523	168-1042-78	16V 0.1uF K
C215	168-1022-55	1000pF K (L-A,No use)	C340	168-1022-55	1000pF K	C524	168-2242-58	0.22uF K
C216	168-1022-55	1000pF K (L-A,No use)	C341	166-1011-50	100pF CH	C525	043-0552-90	6.3V 47uF M
C217	168-1022-55	1000pF K	C342	168-1022-55	1000pF K	C526	043-0566-90	50V 2.2uF K
C218	168-1022-55	1000pF K	C343	168-4712-55	470pF K	C527	043-0604-90	25V 10uF B
C219	168-3332-78	0.033uF K	C344	168-1042-78	16V 0.1uF K	C529	168-4742-78	0.47uF K
C220	168-3332-78	0.033uF K	C345	168-1022-55	1000pF K	C530	168-1042-38	50V 0.1uF K
C221	168-4722-55	4700pF K	C347	168-3322-55	3300pF K	C531	163-1073-35	16V 100uF
C222	168-4722-55	4700pF K	C348	168-3322-55	3300pF K	C532	168-1542-58	0.15uF K
C224	168-1042-78	16V 0.1uF K	C349	168-3322-55	3300pF K	C533	168-1542-58	0.15uF K
C227	043-0552-90	6.3V 47uF M	C350	168-3322-55	3300pF K	C534	168-1542-58	0.15uF K
C230	168-2242-58	0.22uF K	C351	168-3322-55	3300pF K	C535	168-1542-58	0.15uF K
C231	168-3342-58	0.33uF K	C352	168-3322-55	3300pF K	C536	168-1042-78	16V 0.1uF K
C232	043-0554-90	25V 10uF	C354	043-0554-90	25V 10uF	C537	168-1052-78	16V 1uF K
C238	163-1063-35	16V 10uF	C355	042-1736-90	16V 470uF M	C540	042-1760-90	16V 10uF M
C241	168-1022-55	1000pF K (M-B,No use)	C356	168-4722-55	4700pF K	C541	178-2742-78	0.27uF
C242	168-1022-55	1000pF K (M-B,No use)	C357	163-1073-15	6.3V 100uF	C542	168-1052-78	16V 1uF K
C245	168-2222-55	2200pF K	C358	168-2222-55	2200pF K	C543	163-4763-35	16V 47uF
C257	168-5622-55	5600pF K	C359	043-0570-90	16V 2.2uF K	C544	163-2273-25	10V 220uF
			C360	043-0570-90	16V 2.2uF K	C545	168-2212-55	220pF K
			C361	166-2201-50	22pF CH	C546	166-2201-50	22pF CH
			C362	168-2222-55	2200pF K	C548	163-4763-35	16V 47uF
			C363	166-2201-50	22pF CH	C549	042-1465-00	16V 3300uF
			C364	166-2201-50	22pF CH	C550	172-1041-15	0.1uF
			C365	168-2222-55	2200pF K	C551	163-4763-35	16V 47uF
			C366	166-2201-50	22pF CH	C552	163-4763-35	16V 47uF
			C367	168-2222-55	2200pF K	C554	168-6822-55	6800pF K
			C368	166-2201-50	22pF CH	C555	168-6822-55	6800pF K
			C369	166-2201-50	22pF CH	C556	168-6822-55	6800pF K
			C370	043-0570-90	16V 2.2uF K	C557	168-6822-55	6800pF K
			C371	043-0570-90	16V 2.2uF K	C558	168-6822-55	6800pF K
			C372	043-0570-90	16V 2.2uF K	C559	168-6822-55	6800pF K
			C373	043-0570-90	16V 2.2uF K	C560	168-6822-55	6800pF K

Note) Some parts depend on each model. The model name is specified in the description.  
M-A : PP-3135M-A, M-B : PP-3135M-B, M-C : PP-3135M-C, L-A : PN-3135L-A

REF No.	PART No.	DESCRIPTION	REF No.	PART No.	DESCRIPTION	REF No.	PART No.	DESCRIPTION
C561	168-6822-55	6800pF K			TAAD	L402	010-3406-54	2.2uH J
C562	168-6822-55	6800pF K	D233	001-9210-50	AVR-M1608C270M	L501	010-3104-54	600 ohm/100MHz
C563	043-0574-90	25V 1.0uF			TAAD	L502	010-3414-92	2.2UH
C564	168-1042-78	16V 0.1uF K	D234	001-9210-50	AVR-M1608C270M	L504	010-8048-00	240uH
C565	163-1063-35	16V 10uF			TAAD	P402	076-3011-76	26P
C566	168-2232-55	0.022uF K	D401	001-2630-90	1SS420-TPL3,F	P403	076-6000-59	9P (M-A, No use)
C567	042-4000-90	16V 470uF	D501	001-2640-90	D1FJ4	Q105	198-3018-00	2SK3018
C568	168-1522-55	1500pF K	D502	001-0529-48	MA8091-H	Q106	198-3018-00	2SK3018
C569	166-2201-50	22pF CH	D504	001-0529-48	MA8091-H	Q107	192-5886-00	2SC5886
C570	178-2242-38	0.22uF B	D506	001-2015-00	RL253	Q108	125-2027-90	DTC143EU
C571	168-1542-58	0.15uF K	D507	001-0580-90	1SS352	Q109	190-2060-00	2SA2060
C572	168-1542-58	0.15uF K	D508	001-0580-90	1SS352	Q201	192-4081-00	2SC4081
C573	168-1542-58	0.15uF K	D510	001-0529-48	MA8091-H	Q202	192-4116-00	2SC4116
C574	168-1542-58	0.15uF K	D511	001-4320-50	EDZC6.8B			(L-A, No use)
C576	168-1022-55	1000pF K	D512	001-0580-90	1SS352	Q203	192-4081-00	2SC4081
CCT402	050-0140-54	1/32W 1k ohm x4J	D513	001-4320-50	EDZC6.8B	Q204	192-4081-00	2SC4081
CCT403	050-0145-52	1/16W 1k ohm x4	D514	001-4320-50	EDZC6.8B	Q205	125-9015-92	RN4902
CCT404	050-0145-52	1/16W 1k ohm x4	D515	001-0529-34	MA8062-L			(L-A, No use)
D104	001-0580-90	1SS352	D516	001-0580-90	1SS352	Q206	125-9015-92	RN4902
D105	001-2412-90	RR264M-400 (L-A, No use)	D517	001-0529-47	MA8091-M			(L-A, No use)
D106	001-0529-48	MA8091-H	D536	001-2412-90	RR264M-400	Q207	125-0021-91	DTA114EUA
D107	001-0580-90	1SS352	D538	001-2412-90	RR264M-400	Q208	125-2027-91	DTC114EUA
D108	001-9210-50	AVR-M1608C270M TAAD	IC104	051-3020-90	NJM4565V (L-A, No use)	Q210	125-0006-90	UNR2110
D109	001-9210-50	AVR-M1608C270M TAAD	IC202	051-3552-90	NJU7741F15	Q211	125-2027-91	DTC114EUA
D110	001-4320-50	EDZC6.8B	IC203	051-3518-90	NJM2846DL3-33-TE1	Q214	193-1259-50	2SD1259DS R,Q
D114	001-9210-50	AVR-M1608C270M TAAD (L-A, No use)	IC301	-----	SAF7730HV/N332	Q215	192-4081-00	2SC4081
D115	001-9210-50	AVR-M1608C270M TAAD (L-A, No use)	IC302	051-3020-90	NJM4565V (M-A, M-C, L-A)	Q216	192-4081-00	2SC4081
D116	001-4320-50	EDZC6.8B	IC302	051-3034-90	NJM4558V (M-B)			(M-B, No use)
D117	001-4320-50	EDZC6.8B	IC401	051-9430-90	S-24CS64A01-T8T1G (M-A, M-C)	Q217	125-0021-91	DTA114EUA
D120	001-4320-50	EDZC6.8B (M-B, No use)	IC401	0519426-90	S-24CS16A01-T8TIG (M-B, L-A)	Q218	125-0021-91	DTA114EUA
D121	001-4320-50	EDZC6.8B (M-B, No use)	IC403	052-3222-30	M30876MJA-C21GP (M-A,)	Q301	125-7007-90	S15441BDC-TI-E3
D202	001-4305-39	UDZSTE-17 36B TAAD (L-A, No use)	IC403	-----	M30876FJAGP (M-B, M-C, L-A)	Q302	125-2027-91	DTC114EUA
D203	001-4305-39	UDZSTE-17 36B TAAD (L-A, No use)	IC404	051-6607-08	PCA82C250T-T	Q401	198-3018-00	2SK3018
D204	001-4305-39	UDZSTE-17 36B	IC405	051-5417-08	S-80927CNMC-B8M	Q402	198-3018-00	2SK3018
D205	001-0580-90	1SS352 (L-A, No use)	IC502	051-3019-90	NJM2060V	Q407	125-2027-91	DTC114EUA
D206	001-0580-90	1SS352	IC503	051-3551-90	NJM2878F3-33-TE1	Q408	198-3018-00	2SK3018
D207	001-0580-90	1SS352	IC504	051-3396-90	NJM2386ADL3-33-TE1	Q409	125-2027-91	DTC114EUA
D208	001-0580-90	1SS352	IC505	051-3517-90	LT3481EMSE#TRP BF	Q410	198-3018-00	2SK3018
D210	001-4313-53	HZU9B1L TRF-E	IC506	051-2067-00	TB2946HQ	Q411	125-2027-91	DTC114EUA
D215	001-9210-50	AVR-M1608C270M TAAD	IC507	051-3034-90	NJM4558V	Q501	125-9015-92	RN4902
D216	001-9210-50	AVR-M1608C270M TAAD	IC508	051-5441-08	BD4828G-TR	Q504	125-2027-91	(L-A, No use)
D217	001-9210-50	AVR-M1608C270M TAAD	J101	074-1302-16	16P	Q505	191-1197-50	DTC114EUA
D218	001-9210-50	AVR-M1608C270M TAAD	J202	074-1189-88	38P	Q506	192-5886-00	2SC5886
D219	001-9210-50	AVR-M1608C270M TAAD	J204	074-1302-08	8P	Q508	125-2027-91	DTC114EUA
D220	001-9210-50	AVR-M1608C270M TAAD	J206	074-1013-00	12P	Q511	192-5810-00	2SC5810 TE12L
D221	001-9210-50	AVR-M1608C270M TAAD	J502	074-4009-20	20P	Q512	125-2027-91	DTC114EUA
D222	001-9210-50	AVR-M1608C270M TAAD (L-A, No use)	L105	010-2003-04	30uH	Q513	191-1197-50	2SB1197K Q,R
D223	001-9210-50	AVR-M1608C270M TAAD (L-A, No use)	L106	010-4011-20	2.5mH +3/-3%	Q514	192-4116-51	2SC4116 G,L
D224	001-9210-50	AVR-M1608C270M TAAD (L-A, No use)	L201	010-3104-54	600 ohm/100MHz	Q515	191-1204-61	2SB1204 R,S,T
D231	001-9210-50	AVR-M1608C270M TAAD	L202	010-3104-54	600 ohm/100MHz	Q516	125-2027-91	DTC114EUA
D232	001-9210-50	AVR-M1608C270M TAAD	L301	010-3104-54	600 ohm/100MHz	Q517	191-1197-50	2SB1197K Q,R
			L302	010-3104-54	600 ohm/100MHz	Q518	192-4081-00	2SC4081
			L303	010-3104-54	600 ohm/100MHz	Q519	192-4116-00	2SC4116
			L304	010-3104-54	600 ohm/100MHz	Q520	125-2027-91	DTC114EUA
			L305	010-3104-54	600 ohm/100MHz	Q521	192-4116-51	2SC4116 G,L
			L306	010-3104-54	600 ohm/100MHz	R109	119-0000-05	1/10W 0 ohm JW
			L307	010-3104-54	600 ohm/100MHz	R125	119-0000-05	1/10W 0 ohm JW
			L308	010-3104-54	600 ohm/100MHz	R129	166-1511-50	150pF CH
			L309	010-3104-54	600 ohm/100MHz	R135	119-1011-15	1/10W 100 ohm
			L310	010-3104-54	600 ohm/100MHz	R141	119-1011-15	1/10W 100 ohm
			L311	010-3104-54	600 ohm/100MHz	R143	119-1011-15	1/10W 100 ohm
			L312	010-3104-54	600 ohm/100MHz	R146	116-6891-15	1/4W 6.8 ohm
			L313	010-3104-54	600 ohm/100MHz	R150	119-3321-15	1/10W 3.3k ohm
			L401	010-3601-50	600 ohm/100MHz	R154	119-3321-15	1/10W 3.3k ohm
						R155	119-3321-15	1/10W 3.3k ohm
						R161	119-0000-05	1/10W 0 ohm JW
						R162	119-3321-15	1/10W 3.3k ohm
						R167	119-2231-15	1/10W 22k ohm

PP-3135M  
PN-3135L

Note) Some parts depend on each model . The model name is specified in the description.  
M-A : PP-3135M-A, M-B : PP-3135M-B, M-C : PP-3135M-C, L-A : PN-3135L-A

REF No.	PART No.	DESCRIPTION	REF No.	PART No.	DESCRIPTION	REF No.	PART No.	DESCRIPTION
R168	119-1001-15	(L-A,No use) 1/10W 10 ohm	R252	119-1021-15	(M-B,No use) 1/10W 1k ohm	R401	119-1021-15	1/10W 1k ohm (M-A,No use)
R169	119-2231-15	1/10W 22k ohm (L-A,No use)	R253	119-1021-15	1/10W 1k ohm (M-B,No use)	R402	119-1021-15	1/10W 1k ohm (M-A,No use)
R170	116-1091-15	1/4W 1 ohm	R258	119-1021-15	1/10W 1k ohm	R403	119-1021-15	1/10W 1k ohm (M-A,No use)
R172	119-1031-15	1/10W 10k ohm (L-A,No use)	R259	119-1021-15	1/10W 1k ohm	R404	119-0000-15	1/10W 0 ohm JW (M-A,No use)
R173	116-1221-15	1/4W 1.2k ohm	R260	119-1021-15	1/10W 1k ohm	R405	119-1021-15	1/10W 1k ohm (M-A,No use)
R174	116-3911-15	1/4W 390 ohm	R261	119-1021-15	1/10W 1k ohm (L-A,Only)	R406	119-1021-15	1/10W 1k ohm (M-A,No use)
R175	119-2231-15	1/10W 22k ohm (L-A,No use)	R301	119-1031-15	1/10W 10k ohm	R406	119-1021-15	1/10W 1k ohm (M-A,No use)
R176	119-1031-15	1/10W 10k ohm	R302	119-1031-15	1/10W 10k ohm	R407	119-1021-15	1/10W 1k ohm (M-A,No use)
R177	119-4731-15	1/10W 47k ohm (L-A,No use)	R303	119-2201-15	1/10W 22 ohm	R407	119-1021-15	1/10W 1k ohm (M-A,No use)
R178	119-1001-15	1/10W 10 ohm (L-A,No use)	R304	032-0140-80	1/10W 18k ohm F	R408	119-1021-15	1/10W 1k ohm (M-A,No use)
R179	119-3321-15	1/10W 3.3k ohm (L-A,No use)	R305	032-0140-80	1/10W 18k ohm F	R411	119-4721-15	1/10W 4.7k ohm
R180	119-0000-05	1/10W 0 ohm JW	R306	032-0140-80	1/10W 18k ohm F	R412	119-4721-15	1/10W 4.7k ohm
R201	032-0140-89	1/10W 47k ohm F	R307	032-0140-80	1/10W 18k ohm F	R413	119-3311-15	1/10W 330 ohm
R202	032-0140-89	1/10W 47k ohm F	R308	119-1031-15	1/10W 10k ohm	R414	119-3311-15	1/10W 330 ohm
R203	032-0140-89	1/10W 47k ohm F	R309	119-1011-15	1/10W 100 ohm	R415	119-4731-15	1/10W 47k ohm
R204	032-0140-89	1/10W 47k ohm F	R310	119-1021-15	1/10W 1k ohm	R416	119-4731-15	1/10W 47k ohm
R205	119-3331-15	1/10W 33k ohm	R311	032-0140-50	1/10W 10k ohm F	R417	119-4731-15	1/10W 47k ohm
R206	119-3331-15	1/10W 33k ohm	R312	119-3921-15	1/10W 3.9k ohm	R422	119-0000-05	1/10W 0 ohm JW
R210	119-3011-15	1/10W 300 ohm	R313	032-0140-50	1/10W 10k ohm F	R423	119-1011-15	1/10W 100 ohm
R211	119-3011-15	1/10W 300 ohm	R314	119-3921-15	1/10W 3.9k ohm	R424	119-1011-15	1/10W 100 ohm
R212	119-4731-15	1/10W 47k ohm	R315	032-0140-50	1/10W 10k ohm F	R432	119-1011-15	1/10W 100 ohm
R214	119-4721-15	1/10W 4.7k ohm	R316	119-0000-05	1/10W 0 ohm JW	R433	119-1011-15	1/10W 100 ohm
R215	119-4721-15	1/10W 4.7k ohm	R317	032-0140-50	1/10W 10k ohm F	R434	119-1031-15	1/10W 10k ohm
R216	119-1021-15	1/10W 1k ohm	R318	119-1041-15	1/10W 100k ohm	R435	119-1031-15	1/10W 10k ohm
R217	119-5621-15	1/10W 5.6k ohm (L-A,No use)	R319	119-1041-15	1/10W 100k ohm	R436	116-6201-15	1/4W 62 ohm
R218	119-1021-15	1/10W 1k ohm (L-A,No use)	R320	119-1001-15	1/10W 10 ohm	R437	119-4731-15	1/10W 47k ohm
R219	119-5621-15	1/10W 5.6k ohm	R321	119-3921-15	1/10W 3.9k ohm	R438	116-6201-15	1/4W 62 ohm
R220	119-5621-15	1/10W 5.6k ohm	R322	119-0000-05	1/10W 0 ohm JW	R439	119-4731-15	1/10W 47k ohm
R221	119-5631-15	1/10W 56k ohm (L-A,No use)	R323	119-1021-15	1/10W 1k ohm	R440	119-4731-15	1/10W 47k ohm
R222	119-3011-15	1/10W 300 ohm	R324	119-3921-15	1/10W 3.9k ohm	R441	119-1031-15	1/10W 10k ohm
R223	119-5631-15	1/10W 56k ohm	R325	119-0000-05	1/10W 0 ohm JW	R442	119-4721-15	1/10W 4.7k ohm
R224	119-5631-15	1/10W 56k ohm	R327	032-0140-50	1/10W 10k ohm F	R443	116-6201-15	1/4W 62 ohm
R225	119-1031-15	1/10W 10k ohm (L-A,No use)	R329	032-0140-50	1/10W 10k ohm F	R444	119-1021-15	1/10W 1k ohm
R226	116-8211-15	1/4W 820 ohm (L-A,No use)	R331	032-0140-50	1/10W 10k ohm F	R445	119-4731-15	1/10W 47k ohm
R227	116-8211-15	1/4W 820 ohm (L-A,No use)	R332	032-0140-50	1/10W 10k ohm F	R446	119-4731-15	1/10W 47k ohm
R228	116-8211-15	1/4W 820 ohm (L-A,No use)	R333	032-0140-50	1/10W 10k ohm F	R447	119-1031-15	1/10W 10k ohm
R229	116-8211-15	1/4W 820 ohm (L-A,No use)	R334	032-0140-50	1/10W 10k ohm F	R448	119-4731-15	1/10W 47k ohm
R230	119-1031-15	1/10W 10k ohm	R335	119-1031-15	1/10W 10k ohm	R449	119-4731-15	1/10W 47k ohm
R231	119-1031-15	1/10W 10k ohm	R336	119-1031-15	1/10W 10k ohm	R450	119-0000-05	1/10W 0 ohm JW
R232	032-0140-89	1/10W 47k ohm F	R337	119-1031-15	1/10W 10k ohm	R451	119-3321-15	1/10W 3.3k ohm
R233	032-0140-89	1/10W 47k ohm F	R338	119-1031-15	1/10W 10k ohm	R452	119-4731-15	1/10W 47k ohm
R234	119-5631-15	1/10W 56k ohm	R339	119-1011-15	1/10W 100 ohm	R453	119-1031-15	1/10W 10k ohm
R235	119-1031-15	1/10W 10k ohm	R340	119-1011-15	1/10W 100 ohm	R454	119-4731-15	1/10W 47k ohm
R236	119-2231-15	1/10W 22k ohm	R341	119-0000-05	1/10W 0 ohm JW	R455	119-3321-15	1/10W 3.3k ohm
R237	119-4731-15	1/10W 47k ohm (L-A,No use)	R342	119-0000-05	1/10W 0 ohm JW	R456	119-1021-15	1/10W 1k ohm
R238	119-4731-15	1/10W 47k ohm	R343	119-0000-05	1/10W 0 ohm JW	R457	119-3321-15	1/10W 3.3k ohm
R239	119-1031-15	1/10W 10k ohm	R344	119-0000-05	1/10W 0 ohm JW	R458	119-1021-15	1/10W 1k ohm
R240	119-6821-15	1/10W 6.8k ohm	R345	119-0000-05	1/10W 0 ohm JW	R459	119-4731-15	1/10W 47k ohm
R241	119-4731-15	1/10W 47k ohm	R346	119-0000-05	1/10W 0 ohm JW	R460	119-4731-15	1/10W 47k ohm
R247	116-3911-15	1/4W 390 ohm	R347	119-1031-15	1/10W 10k ohm	R461	119-0000-05	1/10W 0 ohm JW
R248	116-3911-15	1/4W 390 ohm	R348	119-0000-05	1/10W 0 ohm JW	R463	119-4731-15	1/10W 47k ohm
R249	119-1041-15	1/10W 100k ohm	R349	119-4731-15	1/10W 47k ohm	R464	119-3321-15	1/10W 3.3k ohm
R250	119-5621-15	1/10W 5.6k ohm (M-B,No use)	R350	119-0000-05	1/10W 0 ohm JW	R466	119-4731-15	1/10W 47k ohm
R251	119-5621-15	1/10W 5.6k ohm	R351	119-1021-15	1/10W 1k ohm	R468	119-4791-15	1/10W 4.7 ohm
			R352	119-1021-15	1/10W 1k ohm	R469	119-1011-15	1/10W 100 ohm
			R353	119-1021-15	1/10W 1k ohm	R471	116-6201-15	1/4W 62 ohm
			R354	119-1021-15	1/10W 1k ohm	R472	119-1011-15	1/10W 100 ohm
			R355	119-1001-15	1/10W 10 ohm	R474	119-4731-15	1/10W 47k ohm
			R357	032-0140-15	1/10W 6.8k ohm F	R475	119-1011-15	1/10W 100 ohm
			R358	032-0140-15	1/10W 6.8k ohm F	R476	119-1011-15	1/10W 100 ohm
			R360	032-0140-15	1/10W 6.8k ohm F	R477	119-4721-15	1/10W 4.7k ohm
			R361	032-0140-15	1/10W 6.8k ohm F	R478	119-4721-15	1/10W 4.7k ohm
			R362	032-0140-50	1/10W 10k ohm F	R481	119-2231-15	1/10W 22k ohm
			R363	032-0140-50	1/10W 10k ohm F	R484	119-4731-15	1/10W 47k ohm
			R364	032-0140-50	1/10W 10k ohm F	R485	119-4731-15	1/10W 47k ohm
			R365	032-0140-50	1/10W 10k ohm F	R486	119-1041-15	1/10W 100k ohm
			R366	032-0140-50	1/10W 10k ohm F			
			R367	032-0140-50	1/10W 10k ohm F			

Note) Some parts depend on each model . The model name is specified in the description.  
M-A : PP-3135M-A, M-B : PP-3135M-B, M-C : PP-3135M-C, L-A : PN-3135L-A

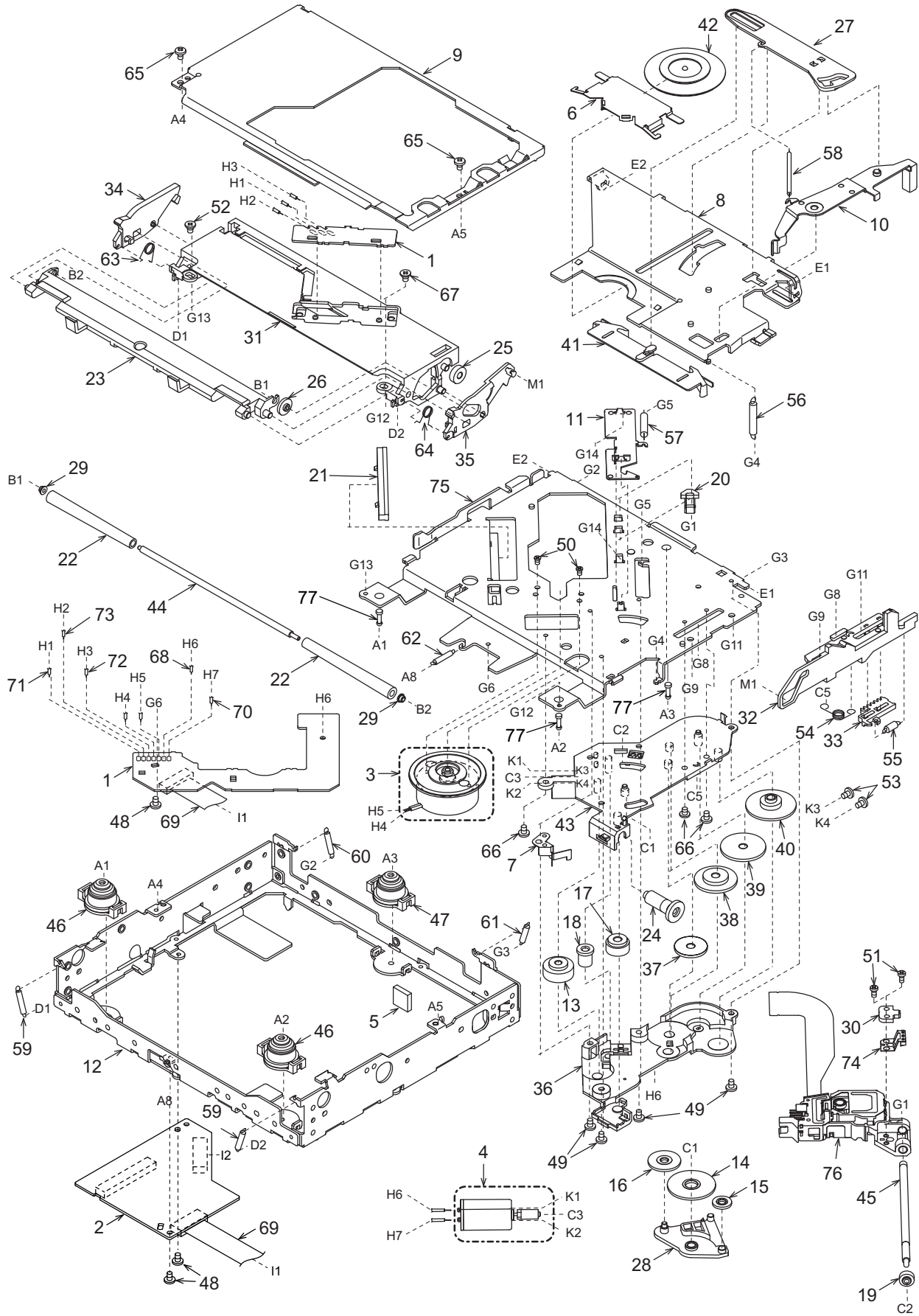
REF No.	PART No.	DESCRIPTION	REF No.	PART No.	DESCRIPTION	REF No.	PART No.	DESCRIPTION
R487	119-1041-15	1/10W 100k ohm	R523	119-1031-15	1/10W 10k ohm	R570	119-0000-05	1/10W 0 ohm JW
R492	119-4731-15	1/10W 47k ohm	R524	119-4731-15	1/10W 47k ohm	R571	119-0000-05	1/10W 0 ohm JW
R493	119-4721-15	1/10W 4.7k ohm	R525	119-0000-05	1/10W 0 ohm JW	R572	032-0208-51	1/4W 15k ohm
R494	119-4721-15	1/10W 4.7k ohm	R527	032-0148-63	1/10W 130k ohm D	R573	119-2221-15	1/10W 2.2k ohm
R495	119-4731-15	1/10W 47k ohm	R528	032-0148-64	1/10W 390k ohm D	R575	116-1531-15	1/4W 15k ohm
R496	119-4721-15	1/10W 4.7k ohm	R530	119-1031-15	1/10W 10k ohm	R576	119-0000-05	1/10W 0 ohm JW
R497	119-4721-15	1/10W 4.7k ohm	R532	119-1031-15	1/10W 10k ohm	R577	119-1031-15	1/10W 10k ohm
R498	119-1041-15	1/10W 100k ohm	R533	119-1841-15	1/10W 180k ohm	R578	168-6812-55	680pF K
R499	119-1041-15	1/10W 100k ohm	R534	119-1031-15	1/10W 10k ohm	R579	119-1031-15	1/10W 10k ohm
R501	116-8211-15	1/4W 820 ohm (L-A,No use)	R535	116-6811-15	1/4W 680 ohm	R580	119-5611-15	1/10W 560 ohm
R502	119-1031-15	1/10W 10k ohm	R536	119-1031-15	1/10W 10k ohm	R581	116-4791-15	1/4W 4.7 ohm
R503	119-1031-15	1/10W 10k ohm	R537	032-0140-51	1/10W 15k ohm F	R582	116-4791-15	1/4W 4.7 ohm
R504	119-1031-15	1/10W 10k ohm	R544	119-4731-15	1/10W 47k ohm	R583	119-2231-15	1/10W 22k ohm
R505	119-1031-15	1/10W 10k ohm	R545	119-4731-15	1/10W 47k ohm	R584	119-3321-15	1/10W 3.3k ohm
R506	116-8211-15	1/4W 820 ohm (L-A,No use)	R546	116-4721-15	1/4W 4.7k ohm	R586	116-8211-15	1/4W 820 ohm (L-A,No use)
R507	119-1031-15	1/10W 10k ohm	R547	119-4721-15	1/10W 4.7k ohm	R588	119-3341-15	1/10W 330k ohm
R508	119-1031-15	1/10W 10k ohm	R548	119-4721-15	1/10W 4.7k ohm	R592	119-1021-15	1/10W 1k ohm
R509	119-1031-15	1/10W 10k ohm	R549	119-3331-15	1/10W 33k ohm	R593	119-1021-15	1/10W 1k ohm
R510	119-1031-15	1/10W 10k ohm	R555	116-3911-15	1/4W 390 ohm	R4001	119-1021-15	1/10W 1k ohm
R511	119-1031-15	1/10W 10k ohm	R556	119-1521-15	1/10W 1.5k ohm	R4004	119-1021-15	1/10W 1k ohm
R512	119-1031-15	1/10W 10k ohm	R557	116-1221-15	1/4W 1.2k ohm	R4005	119-1021-15	1/10W 1k ohm
R514	119-1051-15	1/10W 1M ohm	R558	119-1031-15	1/10W 10k ohm	SUP102	060-0122-91	DSP-141N-S00B
R515	119-1051-15	1/10W 1M ohm	R559	116-1221-15	1/4W 1.2k ohm	TH101	002-0229-00	RTH8L05BAIR8M1B
R516	119-1051-15	1/10W 1M ohm	R560	119-1031-15	1/10W 10k ohm	TC401	004-1580-10	30pF GRN
R517	119-1051-15	1/10W 1M ohm	R561	116-1221-15	1/4W 1.2k ohm	TM101	073-0762-90	TERMINAL
R518	119-1031-15	1/10W 10k ohm	R562	116-1221-15	1/4W 1.2k ohm	TM502	073-0762-90	TERMINAL
R519	119-1031-15	1/10W 10k ohm	R563	119-1031-15	1/10W 10k ohm	X301	061-3537-90	41.6MHz
R520	119-1031-15	1/10W 10k ohm	R564	119-4721-15	1/10W 4.7k ohm	X401	061-3567-90	8.000MHz AT-41CD2
R521	119-1031-15	1/10W 10k ohm	R565	119-1521-15	1/10W 1.5k ohm	PWB	039-3392-00	PWB(WITHOUT COMPONENT)
R522	119-1031-15	1/10W 10k ohm	R566	119-1031-15	1/10W 10k ohm			
			R567	032-0148-50	1/10W 100k ohm D			
			R568	032-0140-16	1/10W 180k ohm F			

Switch PWB(B2) section

REF No.	PART No.	DESCRIPTION	REF No.	PART No.	DESCRIPTION	REF No.	PART No.	DESCRIPTION
C601	043-0554-90	25V 10uF	D617	001-7109-90	SML-311DTT86	D633	001-7109-90	SML-311DTT86
C602	043-0554-90	25V 10uF			ORG			ORG
C603	168-1042-78	16V 0.1uF K	D618	001-7109-90	SML-311DTT86	D634	001-7109-90	SML-311DTT86
C604	043-0554-90	25V 10uF			ORG			ORG
C605	168-1042-78	16V 0.1uF K	D619	001-7109-90	SML-311DTT86	D635	001-7109-90	SML-311DTT86
D601	001-9210-50	AVR-M1608C270M			ORG			ORG
D602	001-9210-50	AVR-M1608C270M	D620	001-7109-90	SML-311DTT86	D636	001-7109-90	SML-311DTT86
		TAAD			ORG			ORG
D603	001-9210-50	AVR-M1608C270M	D621	001-7109-90	SML-311DTT86	D637	001-7109-90	SML-311DTT86
		TAAD			ORG			ORG
D604	001-4320-50	EDZC6.8B	D622	001-7109-90	SML-311DTT86	D638	001-7109-90	SML-311DTT86
D605	001-7109-90	SML-311DTT86			ORG			ORG
		ORG	D623	001-7109-90	SML-311DTT86	D639	001-7109-90	SML-311DTT86
D606	001-7109-90	SML-311DTT86			ORG			ORG
		ORG	D624	001-7109-90	SML-311DTT86	D640	001-7109-90	SML-311DTT86
D607	001-7109-90	SML-311DTT86			ORG			ORG
		ORG	D625	001-7109-90	SML-311DTT86	D641	001-7109-90	SML-311DTT86
D610	001-7109-90	SML-311DTT86			ORG			ORG
		ORG	D626	001-7109-90	SML-311DTT86	D642	001-7109-90	SML-311DTT86
D611	001-7109-90	SML-311DTT86			ORG			ORG
		ORG	D627	001-7109-90	SML-311DTT86	D643	001-7109-90	SML-311DTT86
D612	001-7109-90	SML-311DTT86			ORG			ORG
		ORG	D628	001-7109-90	SML-311DTT86	D644	001-7109-90	SML-311DTT86
D613	001-7109-90	SML-311DTT86			ORG			ORG
		ORG	D629	001-7109-90	SML-311DTT86	D645	001-7109-90	SML-311DTT86
D614	001-7109-90	SML-311DTT86			ORG			ORG
		ORG	D630	001-7109-90	SML-311DTT86	D656	001-7109-90	SML-311DTT86
D615	001-7109-90	SML-311DTT86			ORG			ORG
		ORG	D631	001-7109-90	SML-311DTT86	D662	001-9210-50	AVR-M1608C270M
D616	001-7109-90	SML-311DTT86			ORG			TAAD
		ORG	D632	001-7109-90	SML-311DTT86	D663	001-9210-50	AVR-M1608C270M
		ORG			ORG			TAAD

REF No.	PART No.	DESCRIPTION	REF No.	PART No.	DESCRIPTION	REF No.	PART No.	DESCRIPTION
D664	001-9210-50	AVR-M1608C270M TAAD	R606	116-1821-15	1/4W 1.8k ohm	R629	116-2221-15	1/4W 2.2k ohm
D665	001-9210-50	AVR-M1608C270M TAAD	R607	119-4731-15	1/10W 47k ohm	R630	116-2221-15	1/4W 2.2k ohm
D666	001-9210-50	AVR-M1608C270M TAAD	R608	116-2221-15	1/4W 2.2k ohm	R631	116-2221-15	1/4W 2.2k ohm
D667	001-9210-50	AVR-M1608C270M TAAD	R609	116-2721-15	1/4W 2.7k ohm	R632	116-2221-15	1/4W 2.2k ohm
D668	001-9210-50	AVR-M1608C270M TAAD	R611	116-2221-15	1/4W 2.2k ohm	R633	116-2221-15	1/4W 2.2k ohm
D669	001-9210-50	AVR-M1608C270M TAAD	R612	116-2221-15	1/4W 2.2k ohm	R634	116-2221-15	1/4W 2.2k ohm
IC601	051-6057-00	ML9090A-01GA	R613	116-2221-15	1/4W 2.2k ohm	R635	119-0000-05	1/10W 0 ohm JW
J601	074-3033-26	26P	R614	116-2221-15	1/4W 2.2k ohm	R636	116-2221-15	1/4W 2.2k ohm
J602	075-0395-01	JACK	R615	116-1021-15	1/4W 1k ohm	R637	119-0000-05	1/10W 0 ohm JW
LCD601	379-1434-50	INDICATOR (LCD)	R616	116-2221-15	1/4W 2.2k ohm	R639	116-1821-15	1/4W 1.8k ohm
Q601	190-1162-00	2SA1162	R617	116-1021-15	1/4W 1k ohm	R640	119-2221-15	1/10W 2.2k ohm
Q602	192-2712-51	2SC2712 G,L	R618	116-2221-15	1/4W 2.2k ohm	S601	016-7004-00	ROTARY SWITCH
R601	032-0140-00	1/10W 56k ohm F	R619	116-1021-15	1/4W 1k ohm	S602	013-6201-53	SKPMAPE010
R602	119-4731-15	1/10W 47k ohm	R620	116-2221-15	1/4W 2.2k ohm	S603	013-6202-52	SKPMBJE010
R604	032-0140-53	1/10W 2.2k ohm F	R621	116-1021-15	1/4W 1k ohm	S604	013-6202-52	SKPMBJE010
R605	032-0140-53	1/10W 2.2k ohm F	R622	116-1821-15	1/4W 1.8k ohm	S605	013-6202-52	SKPMBJE010
			R623	116-1021-15	1/4W 1k ohm	S606	013-6202-52	SKPMBJE010
			R624	116-1821-15	1/4W 1.8k ohm	TM601	073-0778-90	TERMINAL
			R625	116-1021-15	1/4W 1k ohm	PWB	039-3307-00	PWB(WITHOUT COMPONENT)
			R626	116-1821-15	1/4W 1.8k ohm			
			R627	116-2221-15	1/4W 2.2k ohm			
			R628	116-2721-15	1/4W 2.7k ohm			

# EXPLODED VIEW/PARTS LIST



NO.	PART NO.	DESCRIPTION	Q'TY	NO.	PART NO.	DESCRIPTION	Q'TY
1	-----	SENSOR PWB	1	40	621-1751-20	POWER GEAR D	1
2	-----	CD PWB	1	41	621-1752-20	DISC STOPPER	1
3	SMA-182-100	SPINDLE MOTOR-ASSY	1	42	621-1753-20	CLAMPER RING	1
4	SMA-183-100	SLED MOTOR-ASSY	1	43	621-1754-20	GEAR BASE	1
5	345-5476-20	CUSHION RUBBER	1	44	622-1571-21	ROLLER SHAFT	1
6	620-1023-23	CLAMPER PLATE	1	45	624-0018-01	LEAD SCREW	1
7	620-1026-21	SPRING PLATE	1	46	629-0086-20	DAMPER F	2
8	620-1596-23	CLAMPER LINK	1	47	629-0087-20	DAMPER R	1
9	620-1862-20	UPPER CHASSIS	1	48	716-1507-01	SCREW(M2x3)	3
10	620-1752-20	SENSOR ARM	1	49	716-1670-01	SCREW(M2x4)	4
11	620-1753-20	ID-LOCK PLATE	1	50	716-1733-01	SCREW(M1.7x2.3)	2
12	620-1868-20	LOWER CHASSIS	1	51	716-3469-01	SCREW(1.7x4)	2
13	621-0608-21	SECOND GEAR	1	52	716-3473-01	SCREW(M2x3)	1
14	621-0609-20	BASE GEAR	1	53	716-3551-00	SCREW(M1.4x2.5)	2
15	621-0610-20	IDLE GEAR A	1	54	750-7865-20	SHIFT SPRING	1
16	621-0611-20	IDLE GEAR B	1	55	750-7866-20	RACK SPRING	1
17	621-0612-21	ROLLER GEAR A	1	56	750-7867-20	CLAMPER SPRING	1
18	621-0620-20	THREAD GEAR A	1	57	750-7868-20	ID-LOCK SPRING	1
19	621-0621-20	THREAD GEAR B	1	58	750-7869-20	SENSOR SPRING	1
20	621-0623-23	LS-HOLDER	1	59	750-7870-20	DR-SPRING F	2
21	621-0624-22	GUIDE RAIL	1	60	750-7871-20	DR-SPRING RA	1
22	621-0711-21	LOADING ROLLER	2	61	750-7872-20	DR-SPRING RB	1
23	621-0718-21	ROLLER GUIDE	1	62	750-7873-20	DR-SPRING C	1
24	621-0719-20	ROLLER GEAR B	1	63	750-6797-20	ROLLER SPRING L	1
25	621-0720-20	ROLLER GEAR C	1	64	750-6798-20	ROLLER SPRING R	1
26	621-0721-20	ROLLER GEAR D	1	65	714-2003-8B	SCREW(M2x3)	2
27	621-0728-20	STOPPER LINK	1	66	780-2025-00	SCREW(M2x2.5)	3
28	621-1719-20	IDLE CASE	1	67	781-1730-00	SCREW(M1.7x3)	1
29	621-1726-20	ROLLER SLEEVE	2	68	803-4906-60	VINYL-COAT-WIRE(ORG)	1
30	621-1729-20	SH-BASE	1	69	816-2542-01	FLAT WIRE	1
31	621-1742-20	UPPER GUIDE	1	70	816-2590-00	VINYL-COAT-WIRE(GRN)	1
32	621-1743-20	SHIFT LEVER	1	71	816-2591-00	VINYL-COAT-WIRE(YEL)	1
33	621-1744-20	RACK	1	72	816-2592-00	VINYL-COAT-WIRE(BLUE)	1
34	621-1745-20	LOCK ARM L	1	73	816-2593-00	VINYL-COAT-WIRE(PUR)	1
35	621-1746-20	LOCK ARM R	1	74	966-1722-20	SH-RACK-ASSY	1
36	621-1747-20	GEAR COVER	1	75	620-1866-20	DRIVE-PLATE	1
37	621-1748-20	POWER GEAR A	1	76	969-0075-30	PICKUP-ASSY	1
38	621-1749-20	POWER GEAR B	1	77	622-1570-21	DAMPER PIN	3
39	621-1750-20	POWER GEAR C	1				

# ELECTRICAL PARTS LIST

## CD PWB(BM1) section

REF No.	PART No.	DESCRIPTION	REF No.	PART No.	DESCRIPTION	REF No.	PART No.	DESCRIPTION
C2	178-1052-78	1uF	C60	168-1042-78	16V 0.1uF	R19	119-0000-05	1/10W 0 ohm JW
C3	042-0627-90	16V 100uF	C63	168-1042-78	16V 0.1uF	R20	119-0000-05	1/10 0ohm JW
C4	168-1042-78	16V 0.1uF	C68	168-1042-78	16V 0.1uF	R22	119-2231-15	1/10W 22k ohm
C6	178-1052-78	1uF	C69	042-1710-90	6.3V 100uF	R23	119-0000-05	1/10 0ohm JW
C7	042-0560-85	6.3V 100uF	C74	042-1709-90	6.3V 47uF	R25	119-1041-15	1/10W 100k ohm
C8	178-1052-78	1uF	C75	168-1042-78	16V 0.1uF	R26	119-0000-05	1/10W 0 ohm JW
C9	166-4711-50	470pF CH	C77	168-1042-78	16V 0.1uF	R27	119-4731-15	1/10W 47k ohm
C10	168-4732-78	0.047uF K	C78	168-1022-55	1000pF K	R29	119-5621-15	1/10W 5.6k ohm
C11	166-4711-50	470pF CH	C79	168-1022-55	1000pF K	R30	119-2231-15	1/10W 22k ohm
C12	168-4732-78	0.047uF K	C80	042-0423-20	10V-10uF	R31	119-4731-15	1/10W 47k ohm
C14	168-1042-78	16V 0.1uF	D1	001-1305-90	DAN217UT106	R32	119-3341-15	1/10W 330k ohm
C15	166-1007-50	10pF CH	IC1	051-6733-30	TC94A73MFG-201	R33	119-1041-15	1/10W 100k ohm
C16	166-1007-50	10pF CH	IC2	051-6079-80	BA5830FM-E2	R34	119-1041-15	1/10W 100k ohm
C17	168-1042-78	16V 0.1uF	IC3	051-3395-90	NJU7780U1-15-TES	R35	119-1041-15	1/10W 100k ohm
C18	168-2222-55	2200pF K	J1	074-1138-65	SOCKET (15P)	R36	119-1011-15	1/10W 100 ohm
C19	168-1042-78	16V 0.1uF	J2	074-1138-60	SOCKET (10P)	R38	119-1041-15	1/10W 100k ohm
C20	168-1042-78	16V 0.1uF	J3	074-1205-88	SOCKET (38P)	R39	119-0000-05	1/10W 0 ohm JW
C22	168-6822-55	6800pF K	L1	119-0000-05	1/10 0ohm JW	R41	119-4721-15	1/10W 4.7k ohm
C24	168-3332-78	0.033uF K	L2	119-0000-05	1/10 0ohm JW	R42	119-4721-15	1/10W 4.7k ohm
C25	168-3332-78	0.033uF K	L3	119-0000-05	1/10 0ohm JW	R45	119-1031-15	1/10W 10k ohm
C26	043-0570-90	16V 2.2uF K	L4	010-3104-50	30ohm/100MHZ	R46	119-4731-15	1/10W 47k ohm
C28	168-1042-78	16V 0.1uF	L5	010-3406-26	0.01uH	R47	119-4731-15	1/10W 47k ohm
C29	168-1042-78	16V 0.1uF	Q1	131-1188-50	2SB1188 Q,R	R48	119-1031-15	1/10W 10k ohm
C30	168-1042-78	16V 0.1uF	Q2	198-3018-00	2SK3018	R49	119-1031-15	1/10W 10k ohm
C31	168-1042-78	16V 0.1uF	Q3	198-3018-00	2SK3018	R50	119-2211-15	1/10W 220 ohm
C33	168-1042-78	16V 0.1uF	Q4	192-4155-51	2SC4155A S,T	R51	119-1031-15	1/10W 10k ohm
C34	168-1042-78	16V 0.1uF	Q5	198-3018-00	2SK3018	R52	119-1031-15	1/10W 10k ohm
C35	168-5622-55	5600pF K	Q6	192-4155-51	2SC4155A S,T	R53	119-2211-15	1/10W 220 ohm
C36	168-1042-78	16V 0.1uF	Q7	198-3018-00	2SK3018	R54	119-3331-15	1/10W 33k ohm
C37	168-5622-55	5600pF K	Q8	198-3018-00	2SK3018	R55	119-4721-15	1/10W 4.7k ohm
C38	166-6801-50	68pF	R1	119-2211-15	1/10W 220 ohm	R56	119-3331-15	1/10W 33k ohm
C39	168-1042-78	16V 0.1uF	R2	117-6811-15	1/8W 680 ohm	R57	119-4721-15	1/10W 4.7k ohm
C40	168-1532-55	0.015uF K	R3	117-0000-05	1/8W 0 ohm JW	R58	119-3331-15	1/10W 33k ohm
C41	168-1042-78	16V 0.1uF	R4	119-1001-15	1/10W 10 ohm	R59	119-4721-15	1/10W 4.7k ohm
C42	168-1032-55	0.01uF K	R5	119-2731-15	1/10W 27k ohm	R60	119-3331-15	1/10W 33k ohm
C43	168-1042-78	16V 0.1uF	R6	119-2731-15	1/10W 27k ohm	R61	119-4721-15	1/10W 4.7k ohm
C44	168-1042-78	16V 0.1uF	R7	119-2221-15	1/10W 2.2k ohm	R62	119-3331-15	1/10W 33k ohm
C46	168-1522-55	1500pF K	R8	119-2731-15	1/10W 27k ohm	R63	119-4721-15	1/10W 4.7k ohm
C47	168-3322-55	3300pF K	R9	119-2731-15	1/10W 27k ohm	R64	119-1051-15	1/10W 1M ohm
C48	168-1032-55	0.01uF K	R10	119-1051-15	1/10W 1M ohm	R65	119-4701-15	1/10W 47 ohm
C49	168-1042-78	16V 0.1uF	R11	119-2211-15	1/10W 220 ohm	R66	119-1051-15	1/10W 1M ohm
C54	168-1532-55	0.015uF K	R13	119-8231-15	1/10W 82k ohm	R67	119-0000-05	1/10W 0 ohm JW
C55	168-1042-78	16V 0.1uF	R14	119-1531-15	1/10W 15k ohm	TM1	073-0768-90	TERMINAL
C56	168-1042-78	16V 0.1uF	R15	119-8231-15	1/10W 82k ohm	X1	061-3534-90	16.92MHz
C58	166-6097-50	6pF CH	R16	119-4731-15	1/10W 47k ohm	PWB	039-3205-01	PWB(WITHOUT COMPONENTS)
C59	166-4701-50	47pF CH	R17	119-0000-05	1/10 0ohm JW			

## SENSOR PWB(BM2) section

REF No.	PART No.	DESCRIPTION	REF No.	PART No.	DESCRIPTION	REF No.	PART No.	DESCRIPTION
D1	001-7058-90	AN1105W-RR	Q1	060-4015-91	PS1192HB-32-TR	S2	013-7413-50	LIMIT
D2	001-7058-90	AN1105W-RR	Q2	060-4015-91	PS1192HB-32-TR	PWB	039-1944-21	PWB(WITHOUT COMPONENTS)
J1	074-1138-60	10P	S1	013-7414-50	CHUCKING			

## BLOCK DIAGRAM

