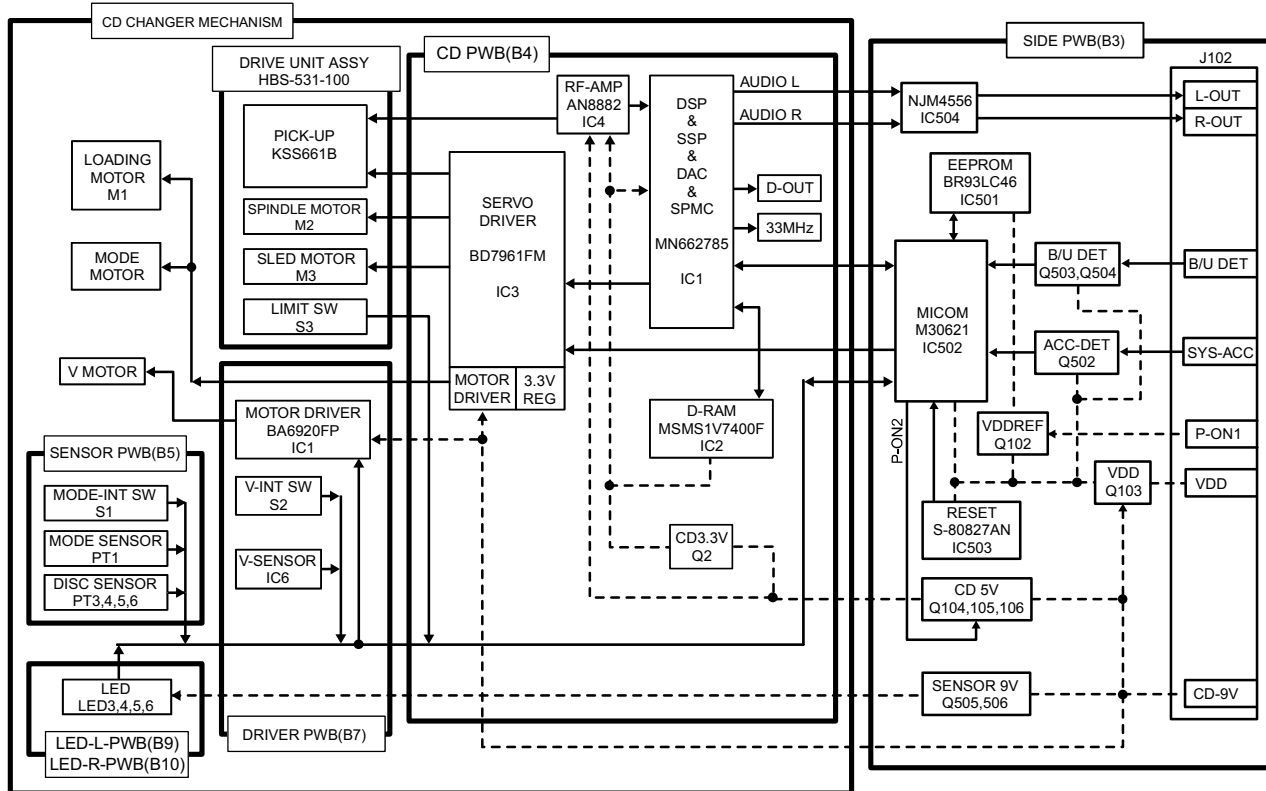
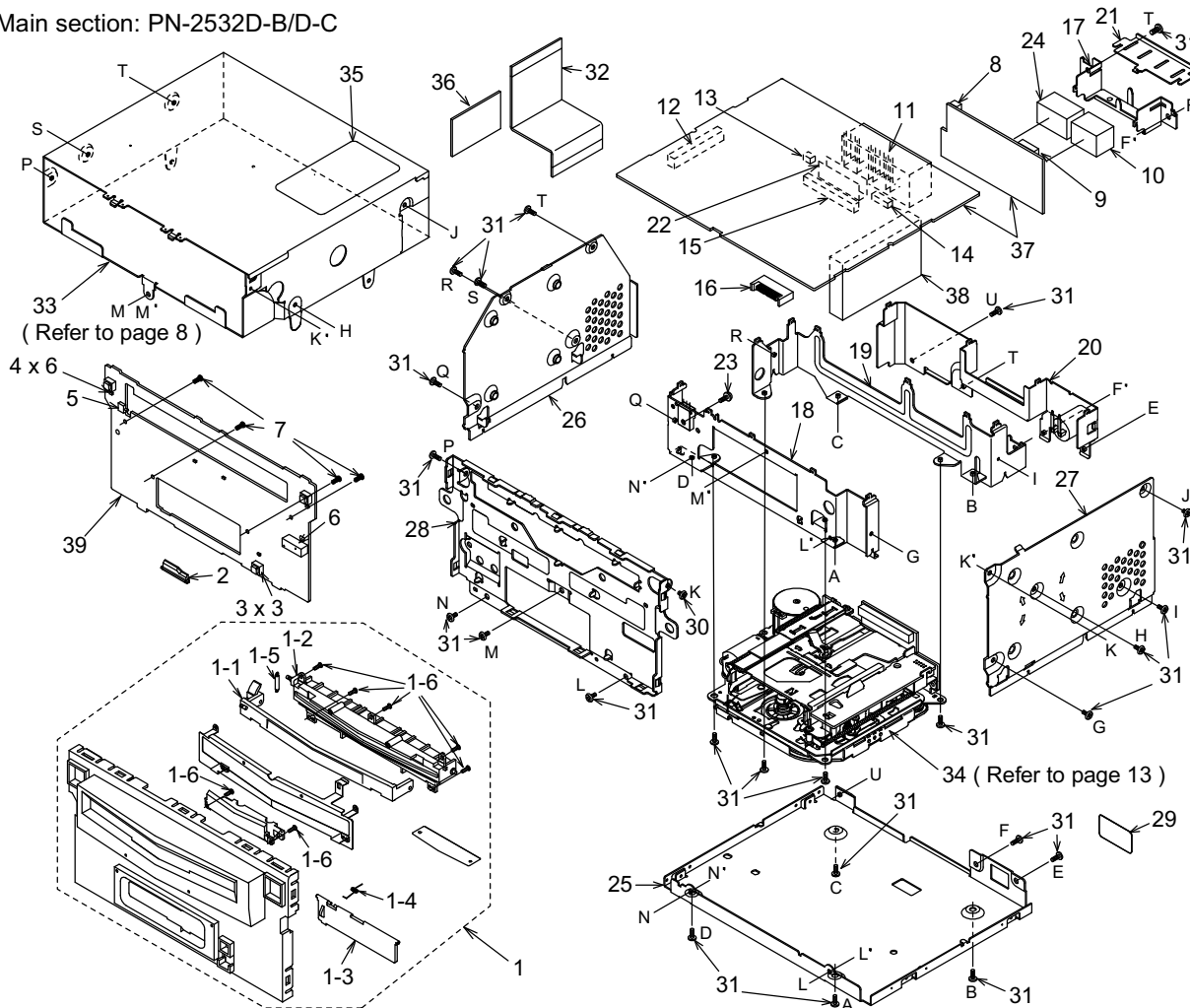


CD changer module section



EXPLODED VIEW / PARTS LIST

Main section: PN-2532D-B/D-C



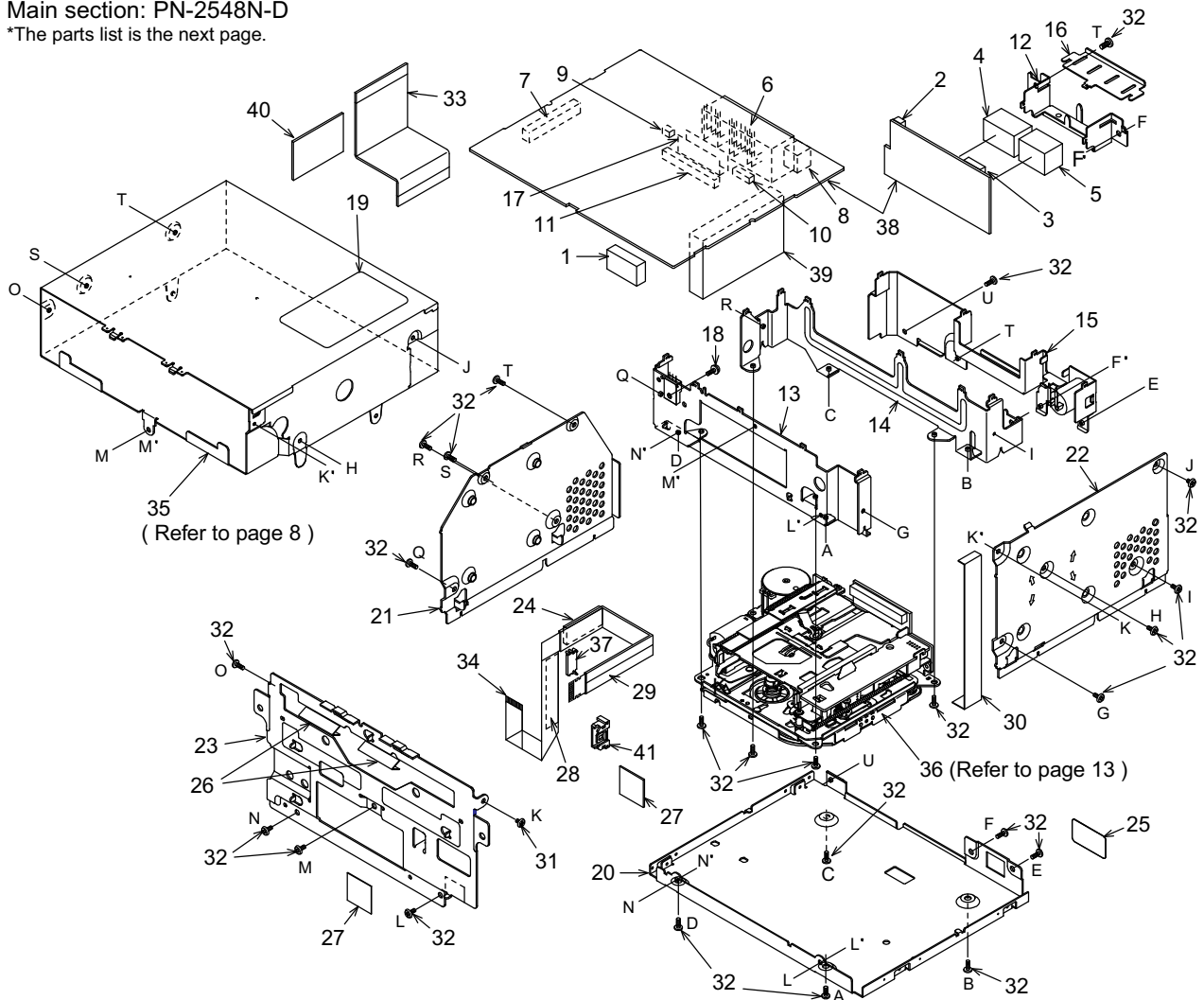
**PN-2532D-B/
D-C/2548N-D**

Note)Several different parts of the same reference number are alternative parts. One of those parts is used in the set.

NO.	PART NO.	DESCRIPTION	Q'TY	NO.	PART NO.	DESCRIPTION	QTY
1	940-8018-63	ESCUTCHEON-ASSY	1	19	331-3237-21	MECH BRACKET(REAR)	1
1-1	335-6828-01	DOOR	1	20	331-3239-21	REAR PLATE	1
1-2	335-6829-03	DOOR BASE	1	21	331-3257-20	CONNECTOR HOLDER	1
1-3	320-0588-96	DUSTPROOF COVER	1	22	347-6595-01	INSULATOR	1
1-4	750-2626-00	SPRING	1	23	716-1494-00	IT SCREW(M2.6x6)	1
1-5	750-6708-01	SPRING	1	24	074-1013-30	OUTLET SOCKET	1
1-6	716-0872-00	PAD SCREW(M1.7x5 SILVER)	7	25	311-1834-23	LOWER CASE	1
2	335-6826-01	GUIDE ILLUMI	1	26	331-3258-22	SIDE CASE(L)	1
3	013-6201-51	TACT SWITCH	3	27	331-3259-22	SIDE CASE(R)	1
4	001-7069-90	LED	6	28	331-3483-20	ES-PLATE	1
5	013-7415-50	DETECTOR SWITCH	1	29	347-6623-01	SPACER	1
6	074-1151-10	OUTLET SOCKET	1	30	714-2004-81	MACHINE SCREW(M2x4)	1
7	716-0778-10	WAVE SCREW	4	31	714-2605-81	MACHINE SCREW(M2.6x5)	24
8	074-0898-06	OUTLET SOCKET(6P)	1	32	816-2563-00	FLAT WIRE	1
9	074-0898-18	OUTLET SOCKET(18P)	1		816-2563-10	FLAT WIRE	
10	074-1087-12	OUTLET SOCKET(16P)	1	33	929-0196-81	CD-MECH-MODULE	1
11	074-1141-00	OUTLET SOCKET(10P+6P)	1	34	930-0794-80	TAPE MECHANISM	1
12	074-1192-22	OUTLET SOCKET(22P)	1	35	286-6126-60	SETPLATE(PN-2532D-B)	1
13	076-0368-06	PLUG (6P)	1		286-6126-67	SETPLATE(PN-2532D-C)	
14	076-0368-18	PLUG (18P)	1	36	335-6788-01	MOLDED PART	1
15	076-0509-20	PLUG (20P)	1	37	-----	MAIN PWB	1
16	076-0540-10	PLUG(10P)	1	38	880-1921U	TUNER	1
17	331-2025-21	CONNECTOR HOLDER	1	39	-----	ESCUTCHEON PWB	1
18	331-3236-22	MECH BRACKET(FRONT)	1				

Main section: PN-2548N-D

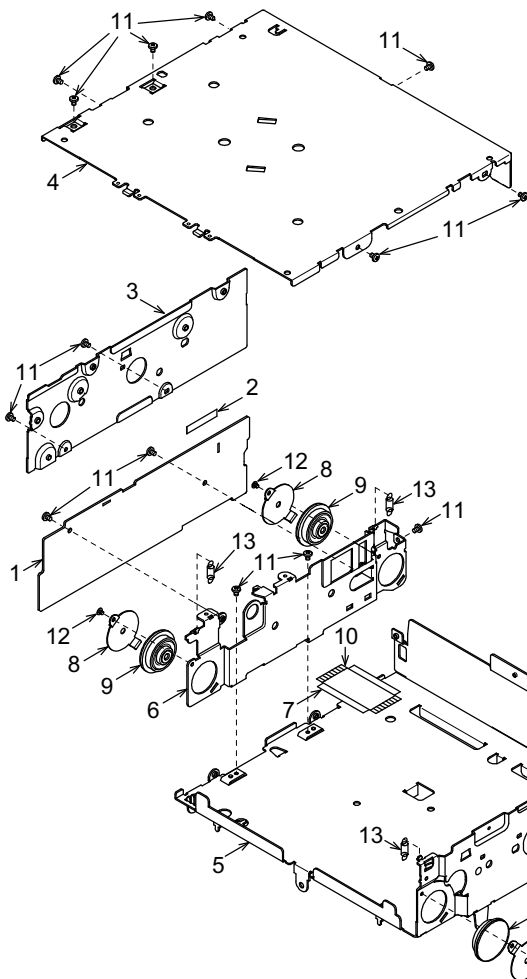
*The parts list is the next page.



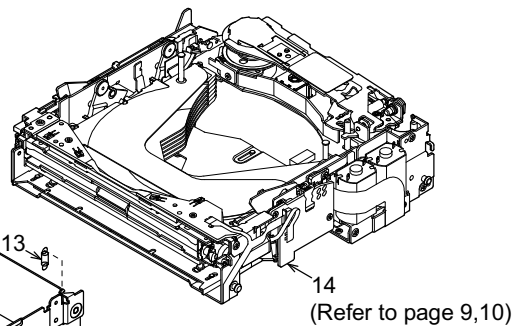
Note)Several different parts of the same reference number are alternative parts. One of those parts is used in the set.

NO.	PART NO.	DESCRIPTION	Q'TY	NO.	PART NO.	DESCRIPTION	Q'TY
1	074-0834-10	OUTLET SOCKET(10P)	1	22	331-3259-22	SIDE CASE(R)	1
2	074-0898-06	OUTLET SOCKET(6P)	1	23	331-3519-01	ES-PLATE	1
3	074-0898-18	OUTLET SOCKET(18P)	1	24	345-5300-01	CUSHIN SPONGE	1
4	074-1013-30	OUTLET SOCKET(12P)	1	25	347-6623-01	SPACER	1
5	074-1087-12	OUTLET SOCKET(16P)	1	26	347-6910-01	PROTECTOR	2
6	074-1141-00	OUTLET SOCKET(10P+6P)	1	27	347-6964-01	PROTECT SHEET	2
7	074-1192-22	OUTLET SOCKET(22P)	1	28	347-6965-01	DOUBLE FACE	1
8	074-1236-10	OUTLET SOCKET(8P)	1	29	347-6966-02	PROTECT SHEET	1
9	076-0368-06	PLUG(6P)	1	30	347-6967-01	PROTECT SHEET	1
10	076-0368-18	PLUG(18P)	1	31	714-2004-81	MACHINE SCREW (M2x4)	1
11	076-0509-20	PLUG(20P)	1	32	714-2605-81	MACHINE SCREW (M2.6x5)	24
12	331-2025-21	CONNECTOR HOLDER	1	33	816-2563-10	FLAT WIRE	1
13	331-3236-22	MECH-BRKT(FRONT)	1		816-2563-00	FLAT WIRE	
14	331-3237-21	MECH-BRKT(REAR)	1	34	816-2638-01	FLAT WIRE	1
15	331-3239-41	REAR PLATE	1	35	929-0196-81	CD-MECH-MODULE	1
16	331-3257-20	CONNECTOR HOLDER	1	36	930-0794-80	TAPE MECHANISM	1
17	347-6965-01	INSULATOR	1	37	076-0716-10	PLUG	1
18	716-1494-00	IT SCREW(M2.6x6)	1	38	-----	MAIN PWB	1
19	286-9526-60	SETPLATE	1	39	880-1921U	TUNER	1
20	311-1834-23	LOWER CASE	1	40	335-6788-01	MOLDED PART	1
21	331-3258-22	SIDE CASE(L)	1	41	076-0716-00	PLUG	1

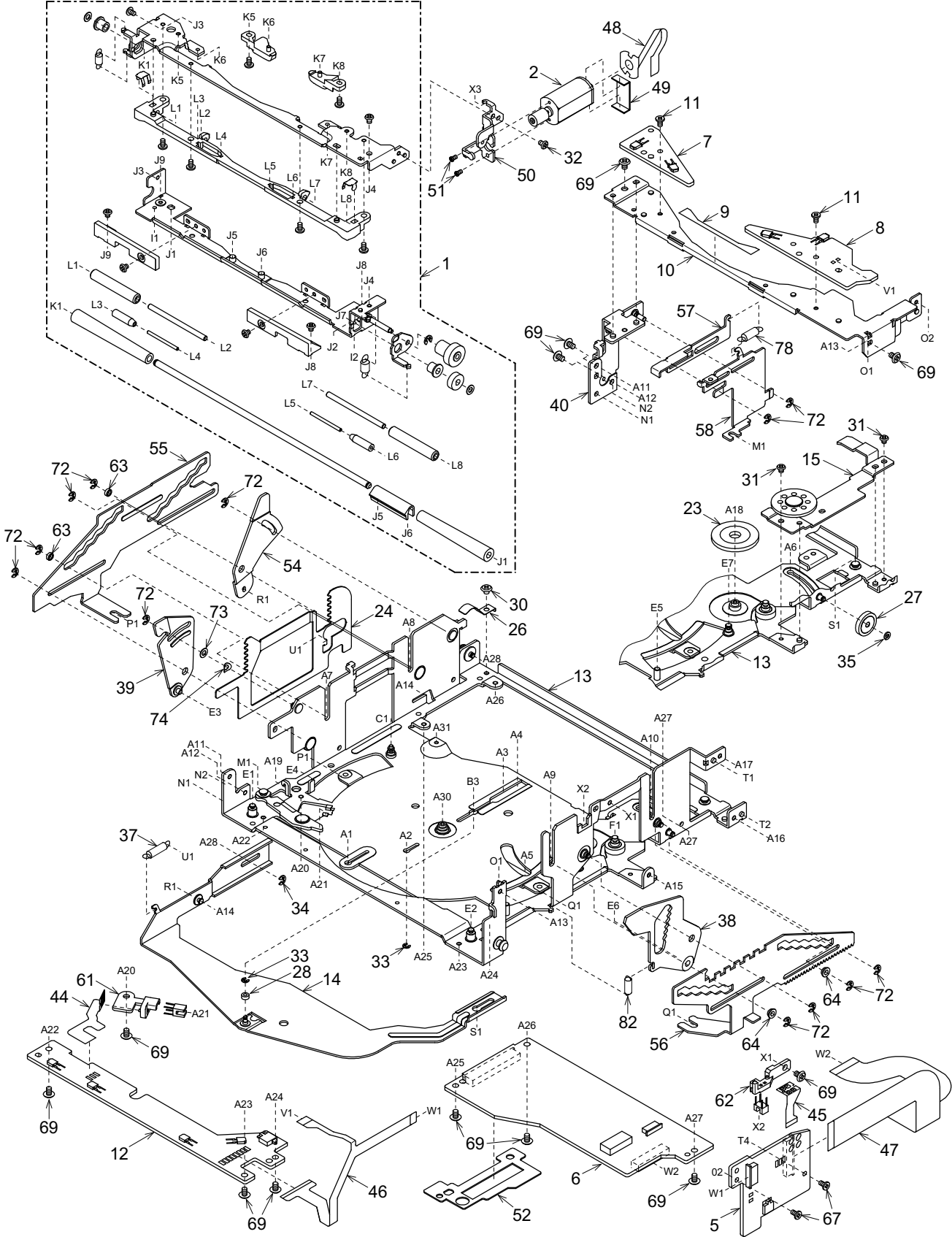
CD changer module section

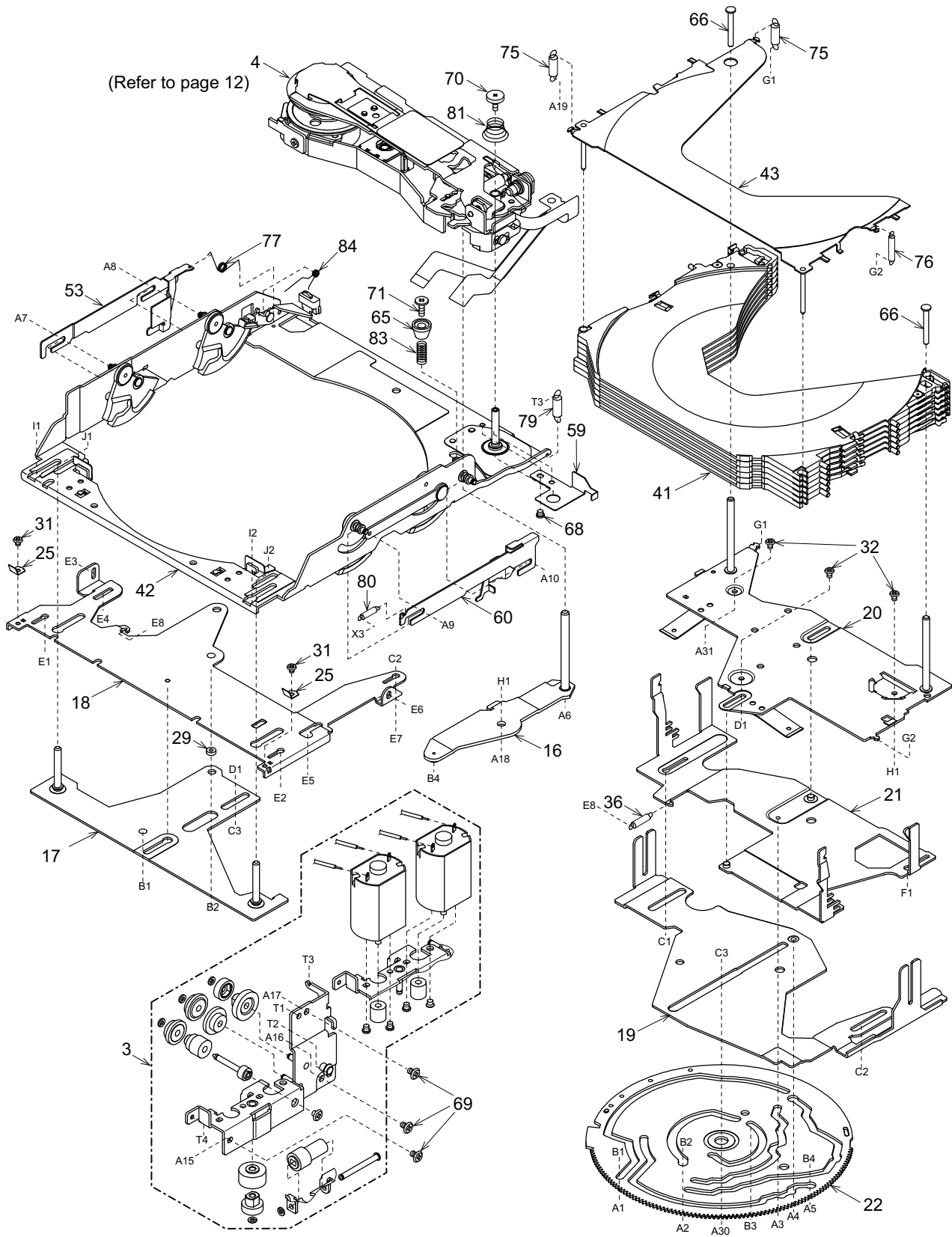


NO.	PART NO.	DESCRIPTION	Q'TY
1	-----	SIDE PWB	1
2	347-6657-01	LO-COVER SHEET	1
3	305-0315-21	SIDE COVER	1
4	310-1741-23	UPPER CASE	1
5	311-1837-25	LOWER CASE	1
6	331-3266-24	PWB-HOLDER	1
7	347-6619-00	INSULATOR	1
8	620-1086-20	DAMPER-H-PLT	4
9	629-0083-01	DAMPER	4
10	039-1957-01	FPC (WITHOUT COMPONENT)	1
11	716-1716-00	SCREW(M2 x 3)	14
12	716-3450-00	SCREW(M1.7 x 2)	4
13	750-3491-00	FL-SPRING	4
14	-----	CD CHANGER MECHANISM	1



CD changer mechanism section: Main chassis





NO.	PART NO.	DESCRIPTION	Q'TY	NO.	PART NO.	DESCRIPTION	Q'TY
1	HBS-521-100	LOADING UNIT	1	45	039-2010-00	PIV-FPC (WITHOUT COMPONENT)	1
2	SMA-186-100	LOADING MOTOR-ASSY	1	46	039-2012-00	SENSOR-FPC (WITHOUT COMPONENT)	1
3	HBS-530-100	MTR-P-SUB-ASSY	1	47	039-2013-02	MOS-FPC (WITHOUT COMPONENT)	1
4	HBS-531-100	DRIVE UNIT	1	48	039-2014-01	L-MOTOR-FPC (WITHOUT COMPONENT)	1
5	-----	DRIVER-PWB	1	49	347-6657-01	LO-COVER SHEET	1
6	-----	CD-PWB	1	50	620-1576-20	LO-MOTOR-PLT	1
7	-----	LED-L-PWB	1	51	738-1422-11	SCREW(M1.4 x 2.2)	2
8	-----	LED-R-PWB	1	52	347-6974-21	FPC COVER	1
9	039-2011-01	LED-FPC (WITHOUT COMPONENT)	1	53	620-1056-22	HLR-PLATE-L	1
10	620-1577-20	FRONT-PLATE	1	54	620-1066-20	LOCK LINK-LR	1
11	716-1866-00	SCREW(M1.7 x 3)	2	55	620-1067-21	SLIDE PLATE L	1
12	-----	SENSOR-PWB	1	56	620-1068-22	SLIDE PLATE-R	1
13	966-0597-24	CHASSIS-ASSY	1	57	620-1071-21	EJECT ARM	1
14	966-0600-23	LOCK-P-RE-ASSY	1	58	620-1072-20	EJECT PLATE	1
15	966-0601-21	M-GEAR-P-ASSY	1	59	620-1083-20	FPC-PLATE	1
16	966-0602-24	DR-LINK-ASSY	1	60	620-1580-20	HLR-PLATE-R	1
17	966-0603-21	MODE-P-ASSY	1	61	621-0641-21	PI-HOLDER-M	1
18	966-0604-24	LOCK-PF-ASSY	1	62	621-0656-21	PI-HOLDER-V	1
19	966-0605-20	SHIFT-P-ASSY	1	63	622-1622-20	SL-G-ROLLER	2
20	966-0607-26	COV-PLATE-ASSY	1	64	622-1623-00	SL-G-ROLLER-R	2
21	966-0606-23	HLC-PLATE-ASSY	1	65	622-1648-23	DU-STP-SLEEVE	1
22	620-1041-26	GEAR PLATE	1	66	622-1650-23	COV-PLATE PIN B	2
23	620-1042-20	M-GEAR-H	1	67	716-1866-00	SCREW(M1.7 x 3)	2
24	620-1090-20	GAP PLATE	1	68	716-1873-00	SCREW(M2 x 1.6)	1
25	620-1568-20	RATTLE PLATE-F	2	69	716-3449-00	SCREW(M2 x 3)	15
26	620-1604-20	DR-PLATE-SPRING	1	70	716-3459-00	SCREW(M1.7 x 5)	1
27	621-0640-20	V-GEAR-G	1	71	716-3466-02	SCREW(M2 x 6)	1
28	622-1651-00	LOCK-RE-ROLLER	1	72	743-1500-10	E-RING	12
29	622-1652-00	LOCK-PF-ROLLER	1	73	746-0624-00	WASHER	1
30	716-1850-01	SCREW(M2 x 2)	1	74	746-0712-23	WASHER	1
31	716-3450-00	SCREW(M1.7 x 2)	4	75	750-3478-01	TOP-P-SP-L	2
32	716-3451-00	SCREW(M1.7 x 2.5)	4	76	750-3479-01	TOP-P-SP-R	1
33	743-1200-10	E-RING	2	77	750-3480-01	DR-LOCK-SP	1
34	743-1500-10	E-RING	1	78	750-3483-00	EJECT-A-SPRING	1
35	746-0761-00	WASHER	1	79	750-3484-01	DR-BASE-SPRING	1
36	750-3485-01	TENTION-SP-L	1	80	750-3486-01	LO-TENSION-SP	1
37	750-3497-00	GAP-P-SPRING L	1	81	750-3489-01	DRIVE-P-SPRING	1
38	966-0615-21	LOCK-L-RF-ASSY	1	82	750-3496-00	GAP-P-SPRING R	1
39	966-0616-20	LOCK-L-LF-ASSY	1	83	750-6711-01	DU-STP-SPRING	1
40	966-0618-21	EJECT-B-ASSY	1	84	750-6712-01	DR-LOCK-SP-B	1
41	966-0624-27	DISC-HOL-ASSY	1				
42	966-0652-22	DR-BASE-P-ASSY	1				
43	HBS-535-100	TOP PLATE-ASSY	1				
44	039-2009-00	PIM-FPC (WITHOUT COMPONENT)	1				

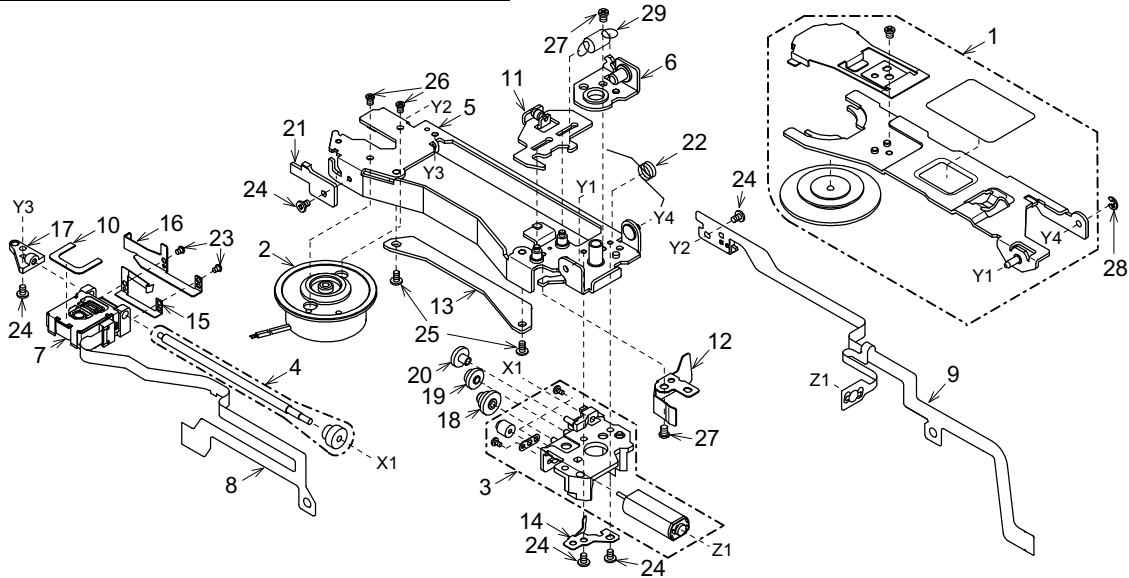
CD changer mechanism section: Drive unit

* The exploded view is on page 12.

NO.	PART NO.	DESCRIPTION	Q'TY	NO.	PART NO.	DESCRIPTION	Q'TY
1	HBS-532-100	CLAMP SUB-ASSY	1	9	039-2016-02	M/S-FPC (WITHOUT COMPONENT)	1
2	SMA-185-101	SPINDLE MOTOR-ASSY	1	10	347-6632-00	PU-SHEET	1
3	SMA-191-100	SLED MOTOR-ASSY	1	11	HBS-542-101	D-SHIFT-PLATE ASSY	1
4	HBS-515-101	LS-ASSY	1	12	620-1078-20	PUSH PLATE	1
5	966-0649-82	DRIVE PLT-ASSY	1	13	620-1080-22	PU-GUIDE-PLATE	1
6	966-0650-20	SPRING-PLT-ASSY	1	14	620-1081-20	SCREW PUSH-PLT	1
7	969-0011-00	PICK UP-ASSY	1	15	620-1587-83	SH-SPRING-PLT	1
8	039-2015-01	P/U-FPC (WITHOUT COMPONENT)	1	16	620-1730-81	SCREW-HOL-PLT	1

NO.	PART NO.	DESCRIPTION	Q'TY
17	621-0670-20	LS-HOLDER-L	1
18	621-0673-20	D-GEAR-A	1
19	621-0674-20	D-GEAR-B	1
20	621-0675-20	D-GEAR-C	1
21	621-0683-21	DU-STOPPER	1
22	750-3504-00	CLAMP-A-SPRING	1
23	716-3511-00	SCREW(phi1.4 x 3)	2

NO.	PART NO.	DESCRIPTION	Q'TY
24	716-3470-00	SCREW(M1.7 x 3)	5
25	716-3474-00	SCREW(M1.7 x 3)	2
26	738-1720-17	PRECISION SCREW(M1.7 x 2)	2
27	738-2025-17	PRECISION SCREW(M2 x 2.5)	2
28	743-1500-10	E-RING	1
29	750-3487-00	SHIFT-P-SPRING	1

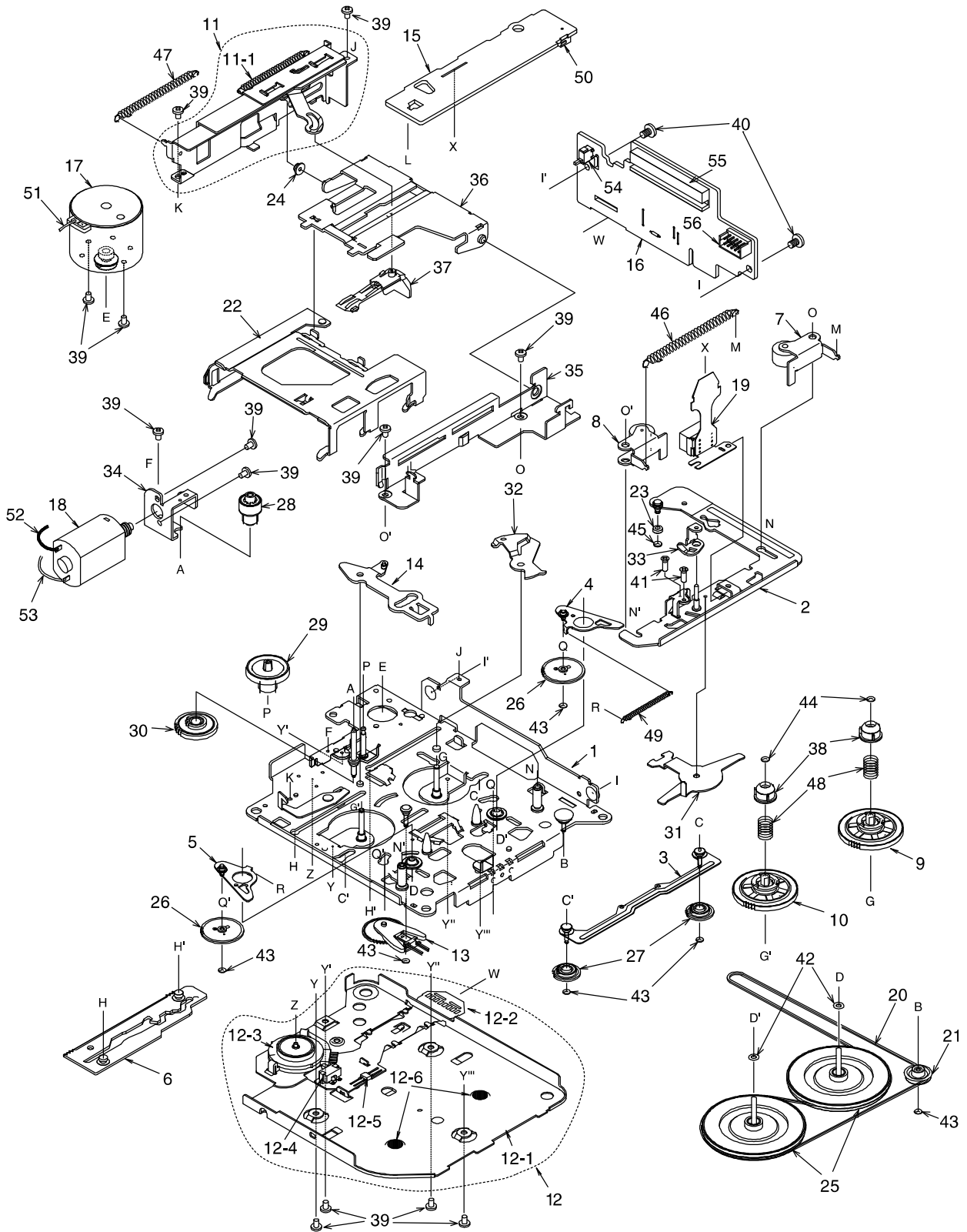


Tape mechanism section

* The exploded view is on page 13.

NO.	PART NO.	DESCRIPTION	Q'TY
1	960-4294-22	DECK PLATE ASSY	1
2	960-4261-20	HEAD PLATE ASSY	1
3	960-4262-04	FF/REW-P ASSY	1
4	960-4263-03	IDLER-P-ASSY L	1
5	960-4264-03	IDLER-P-ASSY R	1
6	960-4266-20	MODE PLATE ASSY	1
7	960-4269-05	ROLLER ASSY F	1
8	960-4270-05	ROLLER ASSY R	1
9	960-4348-03	REEL ASSY F	1
10	960-4349-03	REEL ASSY R	1
11	960-4389-20	EJECT SUB ASSY	1
11-1	750-3020-01	SWITCH(MODE)	1
12	960-4338-09	BOTTOM SUB ASSY	1
12-1	960-4295-02	BOTTOM P-ASSY	1
12-2	099-9926-01	BOTTOM PWB (WITHOUT COMPONENT)	1
12-3	013-3951-32	SWITCH(MODE)	1
12-4	013-3953-01	SWITCH(METAL)	1
12-5	051-1776-00	IC	1
12-6	746-0767-00	WASHER	2
13	960-4282-06	DETECT SUB ASSY	1
14	960-4301-02	PLAY LINK ASSY	1
15	-----	SIDE PWB	1
16	-----	REAR PWB	1
17	SMA-168-100	MAIN MOTOR ASSY	1
18	SMA-169-100	POWER MOTOR ASSY	1
19	011-0328-01	HEAD	1
20	602-0118-00	BELT	1
21	604-0046-00	TENSION PULLEY	1
22	606-0093-07	PACK GUIDE	1
23	610-0342-01	HEAD P-ROLLER	1
24	610-0343-00	GUIDE A-ROLLER	1

NO.	PART NO.	DESCRIPTION	Q'TY
25	611-0091-03	FLYWHEEL	2
26	613-0662-00	IDLER GEAR	2
27	613-0286-03	FF/REW GEAR	2
28	613-0288-01	HELICAL GEAR	1
29	613-0289-01	GEAR A	1
30	613-0337-20	POWER GEAR	1
31	630-2597-01	CHANGE LINK	1
32	630-2598-05	EJECT LINK	1
33	630-2600-01	ADJUST LINK	1
34	630-2601-02	MOTOR PLATE	1
35	630-2626-06	PWB FRAME	1
36	630-2642-01	GUIDE ARM	1
37	631-1992-02	PACK STOPPER	1
38	631-1993-01	SLIDE BUSH	2
39	716-0484-00	SCREW(M2x2.5)	13
40	716-1676-00	PWB SCREW(M2.6x6)	2
41	716-0833-10	SCREW(M2x5.6)	2
42	746-0624-00	WASHER	2
43	746-0724-00	WASHER	6
44	746-0761-00	WASHER	2
45	746-0762-00	WASHER	1
46	750-2946-02	PINCH SPRING	1
47	750-2947-04	EJECT P-SPRING	1
48	750-2949-00	SLIDE SPRING	2
49	750-3017-02	IDLER P-SPRING	1
50	074-0898-10	OUTLET SOCKET(10P)	1
51	802-4906-60	WIRE(RED)	1
52	806-4914-60	WIRE(BLUE)	1
53	816-2349-00	WIRE(WHITE)	1
54	013-3906-00	SWITCH(TAPE IN)	1
55	074-1012-20	OUTLET SOCKET(20P)	1
56	076-0368-10	PLUG(10P)	1



ELECTRICAL PARTS LIST

Main PWB(B1) section

Note) Several different parts of the same reference number are alternative parts.

One of those parts is used in the set.

Some parts depend on each model. The model name is specified in the description.

REF No.	PART No.	DESCRIPTION	REF No.	PART No.	DESCRIPTION	REF No.	PART No.	DESCRIPTION
BL101	880-1921U	TUNER	C208	166-5096-50	5pF CH(2548N)	C509	042-0423-94	10V 4.7uF TAN
C101	166-1511-50	150pF CH	C209	166-5096-50	5pF CH(2548N)	C510	168-1042-78	16V 0.1uF
C102	166-4701-50	47pF CH	C210	166-2201-50	22pF CH(2548N)	C511	188-1063-38	16V 10uF
C103	166-4701-50	47pF CH	C211	166-2201-50	22pF CH(2548N)	C515	188-4763-38	16V 47uF
C104	178-1542-78	0.15uF	C212	166-5096-50	5pF CH(2548N)	C601	168-2222-55	2200pF K
C105	168-1032-55	0.01uF K	C213	166-5096-50	5pF CH(2548N)	C602	168-2222-55	2200pF K
C106	168-1032-55	0.01uF K	C305	163-2263-35	16V 22uF	C603	168-2222-55	2200pF K
C107	178-1052-78	1uF	C307	042-0592-73	50V 1uF	C604	168-2222-55	2200pF K
C108	187-1063-37	16V 10uF	C308	188-1053-68	50V 1uF	C605	168-2222-55	2200pF K
C109	168-3322-55	3300pF K	C309	188-1053-68	50V 1uF(2548N)	C606	168-2222-55	2200pF K
C110	168-1022-55	1000pF K	C310	188-1053-68	50V 1uF(2548N)	C607	168-2222-55	2200pF K
C111	168-4732-78	0.047uF K	C311	188-1053-68	50V 1uF	C608	168-2222-55	2200pF K
C112	166-1501-50	15pF CH	C312	042-0592-73	50V 1uF	C609	168-2222-55	2200pF K
C114	178-2242-78	0.22uF	C316	188-1053-68	50V 1uF	C610	168-2222-55	2200pF K
C115	166-1007-50	10pF CH	C317	188-1053-68	50V 1uF	C611	172-1041-15	0.1uF
C116	188-4763-18	6.3V 47uF	C323	178-1842-78	0.18uF	C612	042-1551-02	16V 1000uF
C117	168-5612-55	560pF Z	C324	178-1842-78	0.18uF	C613	188-1053-68	50V 1uF
C118	178-1052-78	1uF	C325	178-1842-78	0.18uF	C614	172-1041-15	0.1uF(2532D)
C119	166-4701-50	47pF CH	C326	178-1842-78	0.18uF	C615	188-1063-38	16V 10uF(2532D)
C120	188-2253-68	50V 2.2uF	C327	168-8212-55	820pF K	C620	168-2232-55	0.022uF K
C121	188-1073-28	10V 100uF	C328	168-8212-55	820pF K	C701	188-1053-68	50V 1uF
C122	043-0277-51	0.022uF	C329	168-8212-55	820pF K	C702	188-1053-68	50V 1uF
C123	166-5601-50	56pF CH	C330	168-8212-55	820pF K	C705	042-0592-58	16V 10uF
C124	168-1042-78	16V 0.1uF	C331	042-0592-58	16V 10uF	C706	042-0592-58	16V 10uF
C125	188-1073-28	10V 100uF	C332	042-0592-58	16V 10uF	C707	042-0592-58	16V 10uF
C126	168-3312-55	330pF K	C333	168-1832-55	0.018uF K	C708	042-0592-58	16V 10uF
C129	168-1042-78	16V 0.1uF	C334	168-1022-55	1000pF K	C711	166-5601-50	56pF CH
C130	188-1073-28	10V 100uF	C401	168-1042-78	16V 0.1uF	C712	166-5601-50	56pF CH
C132	178-1052-78	1uF	C402	168-1042-78	16V 0.1uF	C713	166-2201-50	22pF CH
C133	168-1232-55	0.012uF K	C403	168-1042-78	16V 0.1uF	C714	166-2201-50	22pF CH
C134	186-1053-69	50V 1uF	C404	168-1042-78	16V 0.1uF	C715	166-2201-50	22pF CH
C135	188-4763-38	16V 47uF	C405	042-1505-82	16V 10uF	C716	166-2201-50	22pF CH
C136	043-0277-51	0.022uF	C406	168-1042-78	16V 0.1uF	C717	166-5601-50	56pF CH
C138	168-1022-55	1000pF K	C408	178-1052-78	1uF	C718	166-5601-50	56pF CH
C140	188-4763-38	16V 47uF	C409	168-2232-55	0.022uF K	C719	166-5601-50	56pF CH
C141	168-2232-55	0.022uF K	C410	168-1042-78	16V 0.1uF	C720	166-5601-50	56pF CH
C142	166-1011-50	100pF CH	C412	166-1011-50	100pF CH	C721	166-2201-50	22pF CH
C143	166-1011-50	100pF CH	C414	166-1011-50	100pF CH	C722	166-2201-50	22pF CH
C144	166-1011-50	100pF CH	C416	166-1011-50	100pF CH	C723	166-2201-50	22pF CH
C145	166-1011-50	100pF CH	C417	166-1011-50	100pF CH	C724	166-2201-50	22pF CH
C146	166-1801-50	18pF CH	C418	168-1022-55	1000pF K	C725	166-5601-50	56pF CH
C147	168-3932-78	0.039uF K	C420	188-4763-18	6.3V 47uF	C726	166-5601-50	56pF CH
C148	168-3932-78	0.039uF K	C421	168-1042-78	16V 0.1uF	C727	042-1548-52	10V 220uF
C149	168-3932-78	0.039uF K	C422	168-1022-55	1000pF K	C728	042-1548-52	10V 220uF
C150	168-3932-78	0.039uF K	C423	168-1042-78	16V 0.1uF	C729	042-1548-52	10V 220uF
C151	166-1801-50	18pF CH	C424	168-1032-55	0.01uF K	C730	042-1548-52	10V 220uF
C152	168-4722-55	4700pF K	C434	168-2222-55	2200pF K(2548N)	C731	042-1548-52	10V 220uF
C153	166-1201-50	12pF CH	C461	178-1052-78	1uF	C732	042-1548-52	10V 220uF
C154	168-1032-55	0.01uF K	C462	166-1011-50	100pF CH	C733	042-1548-52	10V 220uF
C156	166-2201-50	22pF CH	C463	166-1011-50	100pF CH	C734	042-1548-52	10V 220uF
C158	166-2201-50	22pF CH	C464	166-1011-50	100pF CH	C737	042-1548-52	10V 220uF
C159	168-1022-55	1000pF K	C465	166-1011-50	100pF CH	C740	187-4763-35	16V 47uF
C160	166-2201-50	22pF CH	C466	166-1011-50	100pF CH	C743	188-1063-38	16V 10uF
C161	187-1073-37	16V 100uF	C501	168-1042-78	16V 0.1uF	C744	042-1562-65	10V 220uF
C162	168-1042-78	16V 0.1uF	C502	188-1073-28	10V 100uF	C745	166-2201-50	22pF CH
C163	168-1022-55	1000pF K	C503	188-1063-38	16V 10uF	C1001	042-1562-67	16V 10uF
C201	168-2222-55	2200pF K(2548N)	C504	187-1073-37	16V 100uF	C1002	042-1562-67	16V 10uF
C204	042-0592-58	16V 10uF(2548N)	C505	168-1042-78	16V 0.1uF	C1003	042-1562-67	16V 10uF
C205	042-0592-58	16V 10uF(2548N)	C506	163-1073-35	16V 100uF	C1004	042-1562-67	16V 10uF
C206	042-0592-58	16V 10uF(2548N)	C507	187-1073-37	16V 100uF	C1006	168-1022-55	1000pF K
C207	042-0592-58	16V 10uF(2548N)	C508	187-1073-37	16V 100uF	C1007	168-2232-55	0.022uF K

REF No.	PART No.	DESCRIPTION	REF No.	PART No.	DESCRIPTION	REF No.	PART No.	DESCRIPTION
C1010	168-1022-55	1000pF K	IC404	052-3177-03	M30624MGA-550GP(2532D)	Q405	191-0709-00	2SB709A Q,R,S
C1011	168-1022-55	1000pF K				Q411	192-2712-00	2SC2712(2548N)
C1012	188-1066-38	16V 10uF NP	IC404	052-3177-12	M30624MGA-598GP(2548N)	Q411	193-0601-00	2SD601A(2548N)
C1013	188-1066-38	16V 10uF NP				Q415	125-2004-92	RN1402(2548N)
C1017	168-1022-55	1000pF K	IC405	051-5436-08	S-80933ANMP	Q415	125-2005-91	UN2211
C1018	168-1022-55	1000pF K	IC501	051-1834-00	LM2936	Q416	192-2712-00	2SC2712
CCT401	050-0122-50	1/10W 10k ohm x4J	IC601	051-5418-08	S80827AN	Q416	193-0601-00	2SD601A
CCT402	050-0140-54	1/32W 1k ohm x4J	IC701	051-1407-00	NJM4556AL	Q417	192-2712-00	2SC2712
CCT403	050-0140-54	1/32W 1k ohm x4J	IC702	051-1407-00	NJM4556AL	Q417	193-0601-00	2SD601A
CCT404	050-0140-54	1/32W 1k ohm x4J	IC703	051-1407-00	NJM4556AL	Q418	125-0001-91	UN2111
CCT405	050-0140-54	1/32W 1k ohm x4J	IC704	051-1407-00	NJM4556AL	Q418	125-0002-92	RN2402(2548N)
CCT406	050-0140-54	1/32W 1k ohm x4J	IC705	051-3020-90	NJM4565V	Q418	125-0014-92	DTA114EK(2548N)
CCT407	050-0140-54	1/32W 1k ohm x4J	IC707	051-3020-90	NJM4565V	Q501	103-2353-00	2SD2353
CCT408	050-0140-54	1/32W 1k ohm x4J	J201	074-1236-10	8P(2548N)	Q502	193-2118-00	2SD2118F5 Q,R,S
CCT409	050-0140-54	1/32W 1k ohm x4J	J402	074-1192-22	22P	Q503	193-1858-00	2SD1858
CCT411	050-0140-54	1/32W 1k ohm x4J	J601	074-1141-00	NS10+6	Q504	125-9002-92	RN4602(2548N)
CCT412	050-0140-54	1/32W 1k ohm x4J	J1001	074-1087-12	A-16 REMO	Q504	125-9003-92	IMD3
CCT414	050-0140-54	1/32W 1k ohm x4J	J1002	074-1013-30	A-12MW ND	Q505	125-2004-92	RN1402(2548N)
CCT415	050-0140-54	1/32W 1k ohm x4J	L101	010-2198-65	0.1uH	Q505	125-2005-91	UN2211
CCT417	050-0140-54	1/32W 1k ohm x4J	L102	010-2198-53	5.6uH	Q506	190-1015-00	2SA1015
D101	001-3205-90	1SV251	L103	010-2312-52	0.27uH	Q506	190-1048-00	2SA1048
D102	001-3205-90	1SV251	L104	010-2003-04	NLV32 22uH J	Q507	191-1205-60	2SB1205R,S,T
D400	001-0516-90	MA111	L106	010-6009-76	22uH	Q508	125-9002-92	RN4602(2548N)
D400	001-0517-90	1SS355	L151	010-6009-76	22uH	Q508	125-9003-92	IMD3
D401	001-0516-90	MA111	L401	010-3407-66	22uH	Q603	192-2712-00	2SC2712
D401	001-0517-90	1SS355	L601	010-8028-00	COIL	Q603	193-0601-00	2SD601A
D402	001-0529-44	MA8082M	P201	076-0368-18	18P	Q604	125-2004-92	RN1402(2548N)
D402	001-4301-44	HZU8.2B2	P202	076-0368-06	6P	Q604	125-2005-91	UN2211
D409	001-0529-48	MA8091H(2548N)	P402	074-0834-10	10P(2548N)	Q605	190-1037-00	2SA1037
D409	001-4301-48	HZU9.1B3(2548N)	P402	076-0540-10	10P(2532D)	Q605	191-0709-00	2SB709A Q,R,S
D501	001-0504-49	HZS9C3L	P403	076-0509-20	20P	Q606	100-1359-00	2SA1359
D502	001-0504-48	HZS9C2L	P1001	074-0898-18	18P	Q607	125-2004-92	RN1402(2548N)
D503	001-0466-90	S5688B	P1002	074-0898-06	6P	Q607	125-2005-91	UN2211
D504	001-0466-90	S5688B	Q101	192-2712-00	2SC2712	Q608	190-1037-00	2SA1037
D602	001-0529-34	MA8062L	Q101	193-0601-00	2SD601A	Q608	191-0709-00	2SB709A Q,R,S
D602	001-4301-34	HZU6.2B1	Q102	192-2712-00	2SC2712	Q609	100-1359-00	2SA1359
D603	001-0466-90	S5688B	Q102	193-0601-00	2SD601A	Q701	192-2712-00	2SC2712
D604	001-0516-90	MA111	Q103	125-2004-92	RN1402(2548N)	Q701	193-0601-00	2SD601A
D604	001-0517-90	1SS355	Q103	125-2005-91	UN2211	Q703	192-2712-00	2SC2712
D605	001-0466-90	S5688B	Q104	125-2004-92	RN1402(2548N)	Q703	193-0601-00	2SD601A
D606	001-0516-90	MA111	Q104	125-2005-91	UN2211	Q704	190-1037-00	2SA1037
D606	001-0517-90	1SS355	Q105	192-2412-50	2SC2412K-R.S (2548N)	Q704	191-0709-00	2SB709A Q,R,S
D607	001-2015-00	RL253				Q705	190-1037-00	2SA1037
D608	001-0466-90	S5688B	Q105	192-2712-51	2SC2712 G,L	Q705	191-0709-00	2SB709A Q,R,S
D703	001-0354-91	MA151WK	Q106	125-2004-92	RN1402(2548N)	Q706	190-1037-00	2SA1037
D703	001-0356-91	1SS184	Q106	125-2005-91	UN2211	Q706	191-0709-00	2SB709A Q,R,S
D1002	001-0422-38	MTZJ36	Q107	192-2412-50	2SC2412K-R.S (2548N)	Q707	190-1037-00	2SA1037
D1003	001-0529-44	MA8082M				Q707	191-0709-00	2SB709A Q,R,S
D1003	001-4301-44	HZU8.2B2	Q107	192-2712-51	2SC2712 G,L	Q1001	125-0001-91	UN2111
D1006	001-0330-90	1SS119	Q109	190-1298-00	2SA1298	Q1001	125-0002-92	RN2402(2548N)
D1007	001-0330-90	1SS119	Q111	190-1298-00	2SA1298	Q1001	125-0014-92	DTA114EK(2548N)
D1009	001-0584-35	MA8240	Q113	192-2712-00	2SC2712	Q1003	192-2712-00	2SC2712
D1009	001-4302-35	UDZTE-17	Q113	193-0601-00	2SD601A	Q1003	193-0601-00	2SD601A
D1010	001-0516-90	MA111	Q201	125-2004-92	RN1402(2548N)	Q1006	125-2004-92	RN1402(2548N)
D1010	001-0517-90	1SS355	Q201	125-2005-91	UN2211(2548N)	Q1006	125-2005-91	UN2211
IC101	051-4617-90	LA1061M-TE-L	Q202	125-9002-92	RN4602(2548N)	Q1007	125-9006-90	IMX1
IC102	051-4607-90	SAA6581	Q202	125-9003-92	IMD3(2548N)	Q1007	125-9007-90	HN1C01F(2548N)
IC103	051-3020-90	NJM4565V	Q401	125-2004-96	RN1406	Q1008	125-0001-91	UN2111
IC104	051-6212-08	LC72191JM	Q401	125-2020-96	DTC143ZK(2548N)	Q1008	125-0002-92	RN2402(2548N)
IC201	051-3020-90	NJM4565V(2548N)	Q402	190-1428-00	2SA1428	Q1008	125-0014-92	DTA114EK(2548N)
IC302	051-5027-00	LC75412WS	Q404	125-2004-92	RN1402(2548N)	Q1009	192-2712-00	2SC2712
IC401	051-1014-08	TA7291F	Q404	125-2005-91	UN2211	Q1009	193-0601-00	2SD601A
IC403	051-3034-90	NJM4558V	Q405	190-1037-00	2SA1037	Q1010	125-2004-92	RN1402(2548N)

REF No.	PART No.	DESCRIPTION	REF No.	PART No.	DESCRIPTION	REF No.	PART No.	DESCRIPTION
Q1010	125-2005-91	UN2211	R212	032-0106-69	1/8W 39k ohm D (2548N)	R463	119-4731-15	1/10W 47k ohm
Q1011	192-2712-00	2SC2712	R213	032-0106-69	1/8W 39k ohm D (2548N)	R469	119-4731-15	1/10W 47k ohm
Q1011	193-0601-00	2SD601A	R214	032-0106-69	1/8W 39k ohm D (2548N)	R472	119-4741-15	1/10W 470k ohm (2548N)
R101	119-1041-15	1/10W 100k ohm	R215	032-0106-69	1/8W 39k ohm D (2548N)	R479	119-4741-15	1/10W 470k ohm (2548N)
R102	119-1041-15	1/10W 100k ohm	R217	119-0000-05	1/10W 0 ohm JM (2548N)	R480	119-4731-15	1/10W 47k ohm
R103	119-2731-15	1/10W 27k ohm	R218	119-0000-05	1/10W 0 ohm JM	R481	119-4731-15	1/10W 47k ohm
R104	119-2731-15	1/10W 27k ohm	R310	119-2731-15	1/10W 27k ohm	R487	119-4731-15	1/10W 47k ohm
R105	119-1041-15	1/10W 100k ohm	R311	119-2731-15	1/10W 27k ohm	R488	119-4731-15	1/10W 47k ohm
R106	119-1041-15	1/10W 100k ohm	R312	119-2731-15	1/10W 27k ohm	R489	119-4731-15	1/10W 47k ohm
R107	119-1031-15	1/10W 10k ohm	R313	119-2731-15	1/10W 27k ohm	R492	119-4731-15	1/10W 47k ohm
R108	119-1031-15	1/10W 10k ohm	R320	119-2731-15	1/10W 27k ohm	R493	119-4731-15	1/10W 47k ohm
R109	119-5631-15	1/10W 56k ohm	R321	119-2731-15	1/10W 27k ohm	R494	119-4731-15	1/10W 47k ohm
R110	119-3911-15	1/10W 390 ohm	R351	119-4721-15	1/10W 4.7k ohm	R495	119-1031-15	1/10W 10k ohm
R111	119-4731-15	1/10W 47k ohm	R352	119-4721-15	1/10W 4.7k ohm	R496	119-5631-15	1/10W 56k ohm
R113	119-2221-15	1/10W 2.2k ohm	R355	119-4721-15	1/10W 4.7k ohm	R497	119-1021-15	1/10W 1k ohm
R114	119-1031-15	1/10W 10k ohm	R356	119-4721-15	1/10W 4.7k ohm	R501	111-2211-98	1/4W 220 ohm
R115	119-1021-15	1/10W 1k ohm	R401	119-1031-15	1/10W 10k ohm	R502	116-3911-15	1/4W 390 ohm
R116	119-1021-15	1/10W 1k ohm	R402	119-1031-15	1/10W 10k ohm	R503	119-1031-15	1/10W 10k ohm
R117	119-4721-15	1/10W 4.7k ohm	R403	116-1221-15	1/4W 1.2k ohm	R504	116-1011-15	1/4W 100 ohm
R118	119-1021-15	1/10W 1k ohm	R404	116-1221-15	1/4W 1.2k ohm	R505	119-4721-15	1/10W 4.7k ohm
R119	119-1021-15	1/10W 1k ohm	R405	119-1031-15	1/10W 10k ohm	R506	119-1021-15	1/10W 1k ohm
R120	119-2221-15	1/10W 2.2k ohm	R406	116-1001-15	1/4W 10 ohm	R507	119-1031-15	1/10W 10k ohm
R121	119-4721-15	1/10W 4.7k ohm	R407	116-1001-15	1/4W 10 ohm	R508	116-7501-15	1/4W 75 ohm
R122	119-8201-15	1/10W 82 ohm	R408	116-1001-15	1/4W 10 ohm	R509	116-2201-15	1/4W 22 ohm
R124	119-3321-15	1/10W 3.3k ohm	R409	116-1001-15	1/4W 10 ohm	R510	116-2201-15	1/4W 22 ohm
R125	119-1031-15	1/10W 10k ohm	R410	119-2221-15	1/10W 2.2k ohm	R511	119-1041-15	1/10W 100k ohm
R126	116-1501-15	1/4W 15 ohm	R411	119-1041-15	1/10W 100k ohm (2548N)	R601	119-4741-15	1/10W 470k ohm
R127	116-1001-15	1/4W 10 ohm	R412	119-1021-15	1/10W 1k ohm	R602	119-2741-15	1/10W 270k ohm
R128	119-2221-15	1/10W 2.2k ohm	R414	119-4731-15	1/10W 47k ohm	R605	119-1031-15	1/10W 10k ohm
R129	119-2221-15	1/10W 2.2k ohm	R415	119-4731-15	1/10W 47k ohm (2532D)	R606	119-5611-15	1/10W 560 ohm
R130	119-1031-15	1/10W 10k ohm	R416	119-4731-15	1/10W 47k ohm	R607	116-1221-15	1/4W 1.2k ohm
R131	119-1031-15	1/10W 10k ohm	R417	119-1021-15	1/10W 1k ohm	R608	119-4721-15	1/10W 4.7k ohm
R132	119-4721-15	1/10W 4.7k ohm	R418	119-1041-15	1/10W 100k ohm	R609	111-6891-98	1/4W 6.8 ohm
R133	119-1021-15	1/10W 1k ohm	R419	119-4731-15	1/10W 47k ohm	R610	111-6891-98	1/4W 6.8 ohm
R134	119-2221-15	1/10W 2.2k ohm	R421	119-4731-15	1/10W 47k ohm	R611	116-1221-15	1/4W 1.2k ohm
R135	119-1021-15	1/10W 1k ohm	R423	119-4731-15	1/10W 47k ohm	R612	119-4721-15	1/10W 4.7k ohm
R136	119-1021-15	1/10W 1k ohm	R425	119-4731-15	1/10W 47k ohm	R613	116-1221-15	1/4W 1.2k ohm
R137	116-2701-15	1/4W 27 ohm	R428	119-4731-15	1/10W 47k ohm	R614	111-5691-98	1/4W 5.6 ohm
R138	119-1021-15	1/10W 1k ohm	R429	119-1021-15	1/10W 1k ohm	R615	111-5691-98	1/4W 5.6 ohm
R140	119-4721-15	1/10W 4.7k ohm	R431	119-4731-15	1/10W 47k ohm	R616	116-1531-15	1/4W 15k ohm
R141	119-4731-15	1/10W 47k ohm	R433	119-4731-15	1/10W 47k ohm	R617	114-2291-18	1W2.2ohm(2532D)
R142	119-1031-15	1/10W 10k ohm	R434	119-2231-15	1/10W 22k ohm	R618	119-0000-05	1/10W 0 ohm (2532D)
R143	119-1031-15	1/10W 10k ohm	R436	119-2231-15	1/10W 22k ohm	R701	119-4731-15	1/10W 47k ohm
R144	119-1021-15	1/10W 1k ohm	R437	032-0140-52	1/10W 33k ohm F	R702	119-1041-15	1/10W 100k ohm
R145	119-1011-15	1/10W 100 ohm	R438	119-2231-15	1/10W 22k ohm	R703	119-1031-15	1/10W 10k ohm
R146	119-4741-15	1/10W 470k ohm	R440	119-4731-15	1/10W 47k ohm	R704	119-4731-15	1/10W 47k ohm
R161	119-0000-05	1/10W 0 ohm JM	R442	119-1021-15	1/10W 1k ohm	R705	119-1041-15	1/10W 100k ohm
R162	119-0000-05	1/10W 0 ohm JM	R444	119-4731-15	1/10W 47k ohm	R706	119-1031-15	1/10W 10k ohm
R201	116-1211-15	1/4W 120 ohm (2548N)	R445	032-0140-52	1/10W 33k ohm F	R708	119-5621-15	1/10W 5.6k ohm
R203	119-1831-15	1/10W 18k ohm (2548N)	R448	032-0140-00	1/10W 56k ohm F	R709	119-5621-15	1/10W 5.6k ohm
R206	119-1031-15	1/10W 10k ohm (2548N)	R449	032-0140-00	1/10W 56k ohm F	R710	119-5621-15	1/10W 5.6k ohm
R207	119-1031-15	1/10W 10k ohm (2548N)	R452	119-1031-15	1/10W 10k ohm	R711	119-5621-15	1/10W 5.6k ohm
R208	032-0106-65	1/8W 100k ohm D (2548N)	R453	119-4731-15	1/10W 47k ohm	R714	119-3321-15	1/10W 3.3k ohm
R209	032-0106-65	1/8W 100k ohm D (2548N)	R458	119-4731-15	1/10W 47k ohm	R715	119-1031-15	1/10W 10k ohm
R210	032-0106-65	1/8W 100k ohm D (2548N)	R459	119-4731-15	1/10W 47k ohm	R716	119-1031-15	1/10W 10k ohm
R211	032-0106-65	1/8W 100k ohm D (2548N)	R460	119-1041-15	1/10W 100k ohm	R717	119-3321-15	1/10W 3.3k ohm
						R718	119-1031-15	1/10W 10k ohm
						R719	119-1031-15	1/10W 10k ohm
						R720	119-3321-15	1/10W 3.3k ohm
						R721	119-3321-15	1/10W 3.3k ohm
						R722	119-2231-15	1/10W 22k ohm

REF No.	PART No.	DESCRIPTION	REF No.	PART No.	DESCRIPTION	REF No.	PART No.	DESCRIPTION
R723	119-2231-15	1/10W 22k ohm	R750	119-2231-15	1/10W 22k ohm	R1021	119-5621-15	1/10W 5.6k ohm
R733	119-1001-15	1/10W 10 ohm	R751	119-1001-15	1/10W 10 ohm	R1022	119-3011-15	1/10W 300 ohm
R734	119-2231-15	1/10W 22k ohm	R756	119-1031-15	1/10W 10k ohm	R1026	119-4731-15	1/10W 47k ohm
R735	119-1001-15	1/10W 10 ohm	R757	119-1031-15	1/10W 10k ohm	R1040	119-1031-15	1/10W 10k ohm
R736	119-1541-15	1/10W 150k ohm	R758	119-4731-15	1/10W 47k ohm	R1041	119-5631-15	1/10W 56k ohm
R737	119-1541-15	1/10W 150k ohm	R759	119-4731-15	1/10W 47k ohm	R1042	119-1031-15	1/10W 10k ohm
R738	119-2231-15	1/10W 22k ohm	R1002	119-3011-15	1/10W 300 ohm	R1043	119-4721-15	1/10W 4.7k ohm
R739	119-2231-15	1/10W 22k ohm	R1003	119-3011-15	1/10W 300 ohm	R1044	119-1531-15	1/10W 15k ohm
R740	119-1001-15	1/10W 10 ohm	R1004	119-1031-15	1/10W 10k ohm	R1045	119-3321-15	1/10W 3.3k ohm
R741	119-2231-15	1/10W 22k ohm	R1005	119-5631-15	1/10W 56k ohm	SUP101	060-0122-91	DSP-141N-S00B
R742	119-2031-15	1/10W 20k ohm	R1006	119-1021-15	1/10W 1k ohm	SUP102	060-0122-91	DSP-141N-S00B
R743	119-1001-15	1/10W 10 ohm	R1010	119-2231-15	1/10W 22k ohm	VR101	012-5203-63	470k ohm
R744	119-3931-15	1/10W 39k ohm	R1015	119-4731-15	1/10W 47k ohm	VR102	012-5203-56	10k ohm
R745	119-3931-15	1/10W 39k ohm	R1016	119-1031-15	1/10W 10k ohm	X101	061-3013-00	4.33MHz
R746	119-1031-15	1/10W 10k ohm	R1017	119-1031-15	1/10W 10k ohm	X102	061-1066-00	7.2MHz
R747	119-1031-15	1/10W 10k ohm	R1018	119-5631-15	1/10W 56k ohm	X401	060-1505-50	10MHz
R748	119-2231-15	1/10W 22k ohm	R1019	119-5631-15	1/10W 56k ohm	PWB	039-2548-20	PWB(WITHOUT COMPONENT)
R749	119-1001-15	1/10W 10 ohm	R1020	119-5621-15	1/10W 5.6k ohm			

Escutcheon PWB(B2) section: PN-2532D

REF No.	PART No.	DESCRIPTION	REF No.	PART No.	DESCRIPTION	REF No.	PART No.	DESCRIPTION
D901	001-7069-90	LED YELLOW	R901	116-2221-15	1/8W 2.2k ohm	S902	013-6201-51	SKPMAA
D902	001-7069-90	LED YELLOW	R902	116-2221-15	1/8W 2.2k ohm	S903	013-6201-51	SKPMAA
D903	001-7069-90	LED YELLOW	R903	116-3321-15	1/8W 3.3k ohm	S904	013-6201-51	SKPMAA
D904	001-7069-90	LED YELLOW	R904	116-6821-15	1/8W 6.8k ohm	PWB	039-2270-02	PWB(WITHOUT COMPONENT)
D905	001-7069-90	LED YELLOW	R905	116-8211-15	1/8W 820 ohm			
D906	001-7069-90	LED YELLOW	R906	116-8211-15	1/8W 820 ohm			
J901	074-1151-10	10P	S901	013-7415-50	SPVG110400			

Side PWB(B3) section: CD changer mechanism

REF No.	PART No.	DESCRIPTION	REF No.	PART No.	DESCRIPTION	REF No.	PART No.	DESCRIPTION
C101	168-1045-56	0.1uF Z	IC503	051-5418-08	S-80827ANMP-EDQ	R115	119-2731-15	1/10W 27k ohm
C102	168-1042-78	16V 0.1uF				R116	119-5611-15	1/10W 560 ohm
C104	163-1073-15	6.3V 100uF	IC504	051-1407-90	NJM4556AM	R117	119-5611-15	1/10W 560 ohm
C106	163-1063-35	16V 10uF	J101	074-1189-95	45P	R118	119-4731-15	1/10W 47k ohm
C107	163-1073-15	6.3V 100uF	J102	074-1191-22	22P	R119	119-4731-15	1/10W 47k ohm
C108	168-1042-78	16V 0.1uF	L101	010-3071-65	18uH	R120	119-3941-15	1/10W 390k ohm
C109	168-1042-78	16V 0.1uF	L102	010-3407-68	NLV32 33uH J	R121	119-1041-15	1/10W 100k ohm
C110	168-1042-78	16V 0.1uF	Q101	125-2004-92	RN1402	R122	119-1041-15	1/10W 100k ohm
C111	163-1073-35	16V 100uF	Q102	131-1188-50	2SB1188PQR	R124	119-1041-15	1/10W 100k ohm
C112	168-2722-55	2700pF K	Q103	193-1758-00	2SD1758TK P,Q,R	R125	119-1041-15	1/10W 100k ohm
C113	163-2263-35	16V 22uF	Q104	193-1758-00	2SD1758TK P,Q,R	R126	119-2221-15	1/10W 2.2k ohm
C114	163-2263-35	16V 22uF	Q105	125-0014-92	DTA114EK	R504	119-5621-15	1/10W 5.6k ohm
C115	166-3311-50	330pF CH	Q106	125-2004-92	RN1402	R505	119-1031-15	1/10W 10k ohm
C116	166-3311-50	330pF CH	Q502	190-1162-00	2SA1162	R506	119-1041-15	1/10W 100k ohm
C117	166-1011-50	100pF CH	Q503	190-1162-00	2SA1162	R507	119-0000-05	1/10W 0 ohm JW
C118	166-1011-50	100pF CH	Q504	192-2712-00	2SC2712	R509	119-4731-15	1/10W 47k ohm
C119	168-2722-55	2700pF K	Q505	125-2004-92	RN1402	R510	119-1031-15	1/10W 10k ohm
C120	168-1022-55	1000pF K	Q506	125-0014-92	DTA114EK	R511	119-1031-15	1/10W 10k ohm
C121	163-2263-35	16V22uF	Q507	125-0002-92	RN2402	R512	050-0145-54	1/16W 47k ohm x4
C122	168-1022-55	1000pF K	Q508	192-2712-00	2SC2712	R513	119-1041-15	1/10W 100k ohm
C123	163-2263-35	16V 22uF	R101	119-4711-15	1/10W 470 ohm	R514	119-2241-15	1/10W 220k ohm
C124	042-0403-55	16V 33uF	R102	119-2231-15	1/10W 22k ohm	R515	119-2241-15	1/10W 220k ohm
C125	042-0403-55	16V 33uF	R103	119-1821-15	1/10W 1.8k ohm	R516	119-2241-15	1/10W 220k ohm
C501	163-1063-35	16V 10uF	R104	119-1831-15	1/10W 18k ohm	R517	119-1041-15	1/10W 100k ohm
C502	168-1045-56	0.1uF Z	R105	116-1211-15	1/4W 120 ohm	R518	119-2241-15	1/10W 220k ohm
C503	168-4735-56	0.047uF Z	R106	119-1041-15	1/10W 100k ohm	R522	119-1041-15	1/10W 100k ohm
C504	168-1045-56	0.1uF Z	R107	119-4731-15	1/10W 47k ohm	R524	119-1041-15	1/10W 100k ohm
D100	001-0516-90	MA111	R108	119-1031-15	1/10W 10k ohm	R526	119-4731-15	1/10W 47k ohm
D103	001-0504-07	HZS4BLL	R109	119-1031-15	1/10W 10k ohm	R529	119-1021-15	1/10W 1k ohm
D104	001-0516-90	MA111	R110	119-4741-15	1/10W 470k ohm	R531	119-1021-15	1/10W 1k ohm
D105	001-0529-31	MA8056-L	R111	119-4741-15	1/10W 470k ohm	R532	119-1021-15	1/10W 1k ohm
IC501	051-9400-28	BR93LC46F-WE2	R112	119-2731-15	1/10W 27k ohm	R533	119-1021-15	1/10W 1k ohm
IC502	052-5047-24	M30621MCM-4U9GP	R113	119-2731-15	1/10W 27k ohm	R535	119-2231-15	1/10W 22k ohm
			R114	119-2731-15	1/10W 27k ohm	R536	119-2231-15	1/10W 22k ohm

REF No.	PART No.	DESCRIPTION	REF No.	PART No.	DESCRIPTION	REF No.	PART No.	DESCRIPTION
R538	119-1031-15	1/10W 10k ohm	R544	119-1041-15	1/10W 100k ohm	R549	119-1021-15	1/10W 1k ohm
R539	119-5631-15	1/10W 56k ohm	R545	119-1041-15	1/10W 100k ohm	X501	060-1505-50	10MHz
R541	119-1021-15	1/10W 1k ohm	R546	119-1021-15	1/10W 1k ohm	PWB	039-2433-20	PWB(WITHOUT COMPONENT)
R542	119-4721-15	1/10W 4.7k ohm	R547	119-1021-15	1/10W 1k ohm			
R543	119-1041-15	1/10W 100k ohm	R548	119-1021-15	1/10W 1k ohm			

CD PWB(B4) section: CD changer mechanism

REF No.	PART No.	DESCRIPTION	REF No.	PART No.	DESCRIPTION	REF No.	PART No.	DESCRIPTION
C2	046-1022-58	1000pF	C41	045-1011-50	100pF	R18	033-1031-15	1/10W 10k ohm
C3	168-1042-78	16V 0.1uF	C42	168-1042-78	16V 0.1uF	R19	033-5621-15	1/10W 5.6k ohm
C4	042-0636-54	4V 220uF	C43	042-0636-52	4V 47uF	R20	033-6831-15	1/10W 68k ohm
C5	168-1042-78	16V 0.1uF	C50	168-1042-78	16V 0.1uF	R21	033-5621-15	1/10W 5.6k ohm
C6	046-1032-78	0.01uF	C51	168-1042-78	16V 0.1uF	R22	033-1031-15	1/10W 10k ohm
C7	168-1042-78	16V 0.1uF	C60	168-5612-55	560pF Z	R23	033-1031-15	1/10W 10k ohm
C8	178-4742-78	0.47uF	D1	001-0367-91	1SS226	R24	033-4731-15	1/10W 47k ohm
C9	178-2242-78	0.22uF	IC1	051-6365-00	MN662785TBUC	R25	033-3931-15	1/10W 39k ohm
C10	168-1042-78	16V 0.1uF	IC2	051-9318-00	MSM51V17400D-60TS-K	R26	033-6831-15	1/10W 68k ohm
C11	168-1042-78	16V 0.1uF	IC2	051-9318-51	K4E160412C-FC60	R27	033-6831-15	1/10W 68k ohm
C12	168-1042-78	16V 0.1uF	IC3	051-6060-08	BD7961FM-E2	R28	033-1031-15	1/10W 10k ohm
C13	046-2232-78	0.022uF	IC4	051-5711-90	AN8882SB-E1	R29	033-2201-15	1/10W 22 ohm
C14	168-5612-55	560pF Z	J1	074-1189-95	45P	R31	033-8211-15	1/10W 820 ohm
C15	168-1042-78	16V 0.1uF	J4	074-1138-56	6P	R32	033-5631-15	1/10W 56k ohm
C16	046-2212-58	220pF	J5	074-1201-65	15P	R33	033-6831-15	1/10W 68k ohm
C17	046-2212-58	220pF	J6	074-1059-76	26P	R34	033-3331-15	1/10W 33k ohm
C18	168-1222-55	1200pF K	L2	010-2155-93	10uH	R35	033-6831-15	1/10W 68k ohm
C19	046-3322-58	3300pF	L2	010-3050-93	10uH	R38	033-3931-15	1/10W 39k ohm
C20	168-3932-78	0.039uF K	Q2	131-1188-00	2SB1188	R39	033-1831-15	1/10W 18k ohm
C21	168-3932-78	0.039uF K	Q3	131-1188-00	2SB1188	R40	117-1001-15	1/8W 10 ohm
C22	042-0416-52	10V 10uF M TAN	R2	033-1041-15	1/10W 100k ohm	R41	033-6821-15	1/10W 6.8k ohm
C25	178-1052-78	1uF	R4	033-3311-15	1/10W 330 ohm	R42	033-6821-15	1/10W 6.8k ohm
C26	042-0472-91	16V 47uF	R5	033-1041-15	1/10W 100k ohm	R43	033-3331-15	1/10W 33k ohm
C27	178-3342-78	0.33uF	R6	033-3931-15	1/10W 39k ohm	R44	033-5631-15	1/10W 56k ohm
C29	168-2732-55	16V 0.027uF K	R7	033-1041-15	1/10W 100k ohm	R45	116-4711-15	1/4W 470 ohm
C30	042-0416-58	4V 100uF M TAN	R8	033-5611-15	1/10W 560 ohm	R46	117-1811-15	1/8W 180 ohm
C31	042-0636-52	4V 47uF	R9	033-5611-15	1/10W 560 ohm	R47	116-4711-15	1/4W 470 ohm
C32	046-1022-58	1000pF	R10	033-1011-15	1/10W 100 ohm	R48	033-1031-15	1/10W 10k ohm
C33	046-3322-58	3300pF	R11	033-3911-15	1/10W 390 ohm	R49	033-1011-15	1/10W 100 ohm
C34	168-2732-55	16V 0.027uF K	R12	033-2221-15	1/10W 2.2k ohm	R50	050-0140-74	1/32W 12k ohm x 4J
C35	178-2742-78	0.27uF	R13	033-6831-15	1/10W 68k ohm	R60	033-2221-15	1/10W 2.2k ohm
C36	178-1052-78	1uF	R14	033-5621-15	1/10W 5.6k ohm	TM1	073-0768-90	TERMINAL
C37	168-1042-78	16V 0.1uF	R15	033-1021-15	1/10W 1k ohm	X1	060-1527-90	33.8688MHz
C38	042-0472-91	16V 47uF	R16	033-5631-15	1/10W 56k ohm	PWB	039-2398-20	PWB(WITHOUT COMPONENT)
C39	042-0636-50	6.3V 100uF	R17	033-1031-15	1/10W 10k ohm			
C40	045-1211-50	120pF						

Sensor PWB(B5) section: CD changer mechanism

REF No.	PART No.	DESCRIPTION	REF No.	PART No.	DESCRIPTION
PT3	060-0252-01	PT4850F	S1	013-7414-50	SPVG22
PT4	060-0252-01	PT4850F	PWB	039-1956-00	PWB(WITHOUT COMPONENT)
PT5	060-0252-01	PT4850F			
PT6	060-0252-01	PT4850F			

PIM-FPC PWB(B6) section: CD changer mechanism

REF No.	PART No.	DESCRIPTION
IC5	051-5806-02	GPIS95

Driver PWB(B7) section: CD changer mechanism

REF No.	PART No.	DESCRIPTION	REF No.	PART No.	DESCRIPTION	REF No.	PART No.	DESCRIPTION
C1	168-1045-56	0.1uF Z	J1	074-1239-76	26P	R3	032-0104-59	1/4W 2.2 ohm
C2	163-1073-35	16V100uF	J2	074-1100-59	9P	S2	013-7412-50	SPVG21
D1	001-0529-29	MA8051-M	R1	033-1021-15	1/10W 1k ohm	PWB	039-2242-00	PWB(WITHOUT COMPONENT)
IC1	051-6044-18	BA6920FP-Y	R2	032-0104-59	1/4W 2.2 ohm			

PIV-FPC PWB(B8) section: CD changer mechanism

REF No.	PART No.	DESCRIPTION
IC6	051-5806-01	GPIS93

PN-2532D-B/
D-C/2548N-D

LED-L-PWB(B9) section: CD changer mechanism

REF No.	PART No.	DESCRIPTION	REF No.	PART No.	DESCRIPTION
LED3	001-7042-00	GL4800	PWB	039-1954-20	PWB(WITHOUT COMPONENT)
LED4	001-7042-00	GL4800			

LED-R-PWB(B10) section: CD changer mechanism

REF No.	PART No.	DESCRIPTION	REF No.	PART No.	DESCRIPTION
LED5	001-7042-00	GL4800	PWB	039-1955-20	PWB(WITHOUT COMPONENT)
LED6	001-7042-00	GL4800			

L-Motor-FPC(B11) section: CD changer mechanism

REF No.	PART No.	DESCRIPTION
M1	SMA-186-100	LOADING

M/S-FPC(B12) section: CD changer mechanism

REF No.	PART No.	DESCRIPTION	REF No.	PART No.	DESCRIPTION	REF No.	PART No.	DESCRIPTION
M2	SMA-185-101	SPINDLE	M3	SMA-191-100	SLED	S3	013-7414-50	SPVG22

Side PWB(B13) section: Tape mechanism

REF No.	PART No.	DESCRIPTION	REF No.	PART No.	DESCRIPTION	REF No.	PART No.	DESCRIPTION
C1	168-5612-55	560pF	C16	168-1032-55	0.01uF	R8	119-3341-15	1/10W 330k ohm
C2	168-5612-55	560pF	C17	178-4745-79	0.47uF	R9	119-1131-15	1/10W 11k ohm
C3	168-5612-55	560pF	C18	168-1042-78	0.1uF	R10	119-1131-15	1/10W 11k ohm
C4	168-5612-55	560pF	C19	163-2263-35	16V 22uF	R11	119-1531-15	1/10W 15k ohm
C5	178-1055-79	1uF	IC1	051-5204-00	HA12216F	R12	119-1531-15	1/10W 15k ohm
C6	168-1232-55	0.012uF	J1	074-0898-10	10P	R13	032-0140-80	1/10W 18k ohm F
C7	168-1232-55	0.012uF	L1	010-2198-76	0.047uH	R14	119-1531-15	1/10W 15k ohm
C8	168-4732-78	0.047uF	L2	010-2198-76	0.047uH	R15	119-1031-15	1/10W 10k ohm
C9	168-4732-78	0.047uF	R1	119-2731-15	1/10W 27k ohm	R16	119-3921-15	1/10W 3.9k ohm
C10	168-5612-55	560pF	R2	119-2731-15	1/10W 27k ohm	R17	119-1241-15	1/10W 120k ohm
C11	168-5612-55	560pF	R3	119-2731-15	1/10W 27k ohm	R18	119-2231-15	1/10W 22k ohm
C12	168-1042-78	0.1uF	R4	119-2731-15	1/10W 27k ohm	VR1	012-6014-56	10k ohm
C13	168-1042-78	0.1uF	R5	119-1811-15	1/10W 180 ohm	VR2	012-6014-56	10k ohm
C14	168-1032-55	0.01uF	R6	119-1811-15	1/10W 180 ohm	PWB	039-1912-01	PWB(WITHOUT COMPONENT)
C15	163-4753-50	35V 4.7uF	R7	119-3341-15	1/10W 330k ohm			

Bottom PWB(B14) section: Tape mechanism

REF No.	PART No.	DESCRIPTION	REF No.	PART No.	DESCRIPTION	REF No.	PART No.	DESCRIPTION
IC2	051-1776-00	NJL5801K	SW1	013-3953-01	SPPB32	SW2	013-3951-32	MODE SWITCH

Rear PWB(B15) section: Tape mechanism

REF No.	PART No.	DESCRIPTION	REF No.	PART No.	DESCRIPTION	REF No.	PART No.	DESCRIPTION
P1	076-0368-10	10P	R19	111-5611-91	1/4WS 560 ohm	PWB	039-1913-00	PWB(WITHOUT COMPONENT)
J2	074-1012-20	20P	S1	013-3906-00	SPPB51			

CIRCUIT DIAGRAM

Escutcheon PWB(B2) section: PN-2532D

