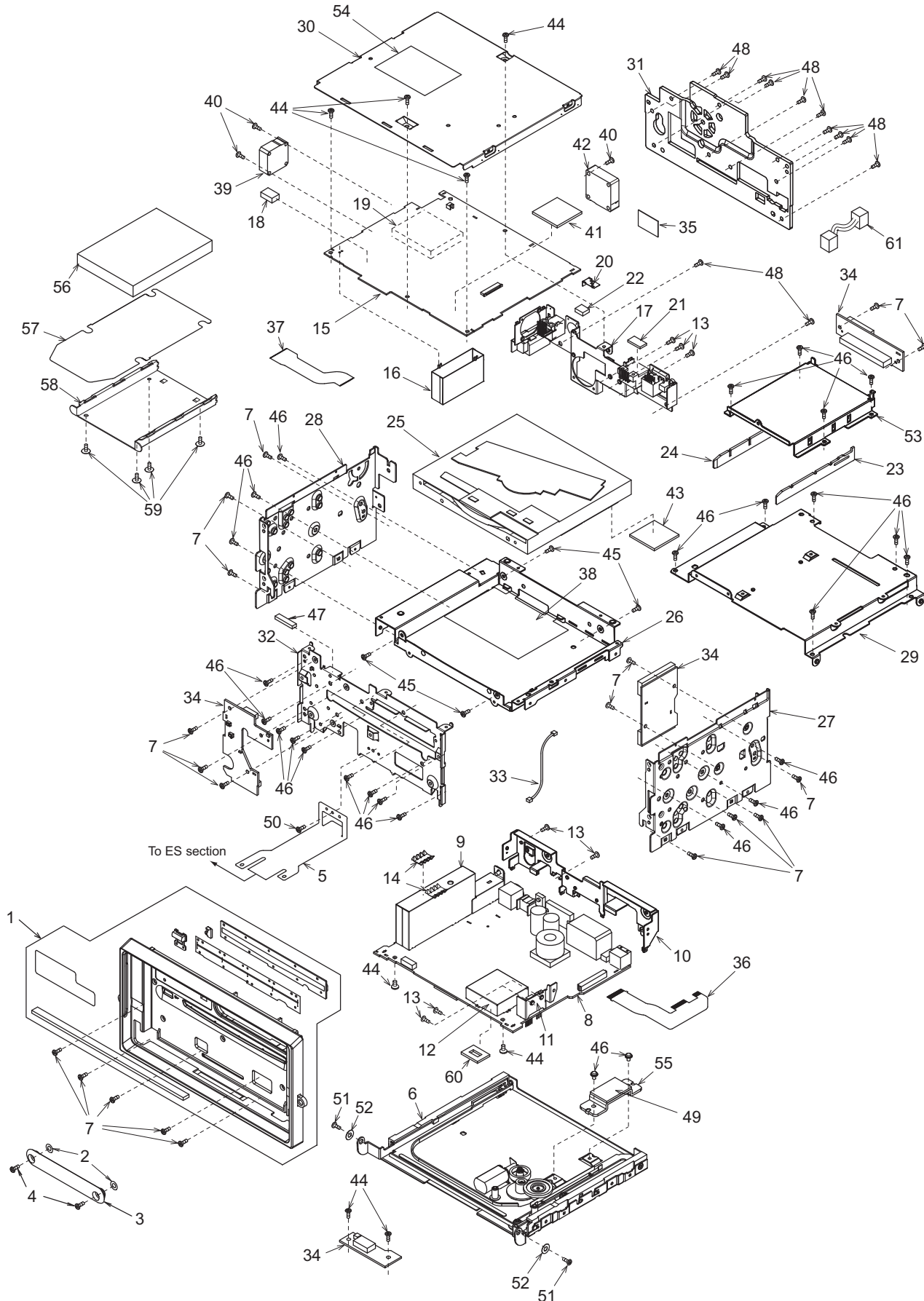


EXPLODED VIEW / PARTS LIST

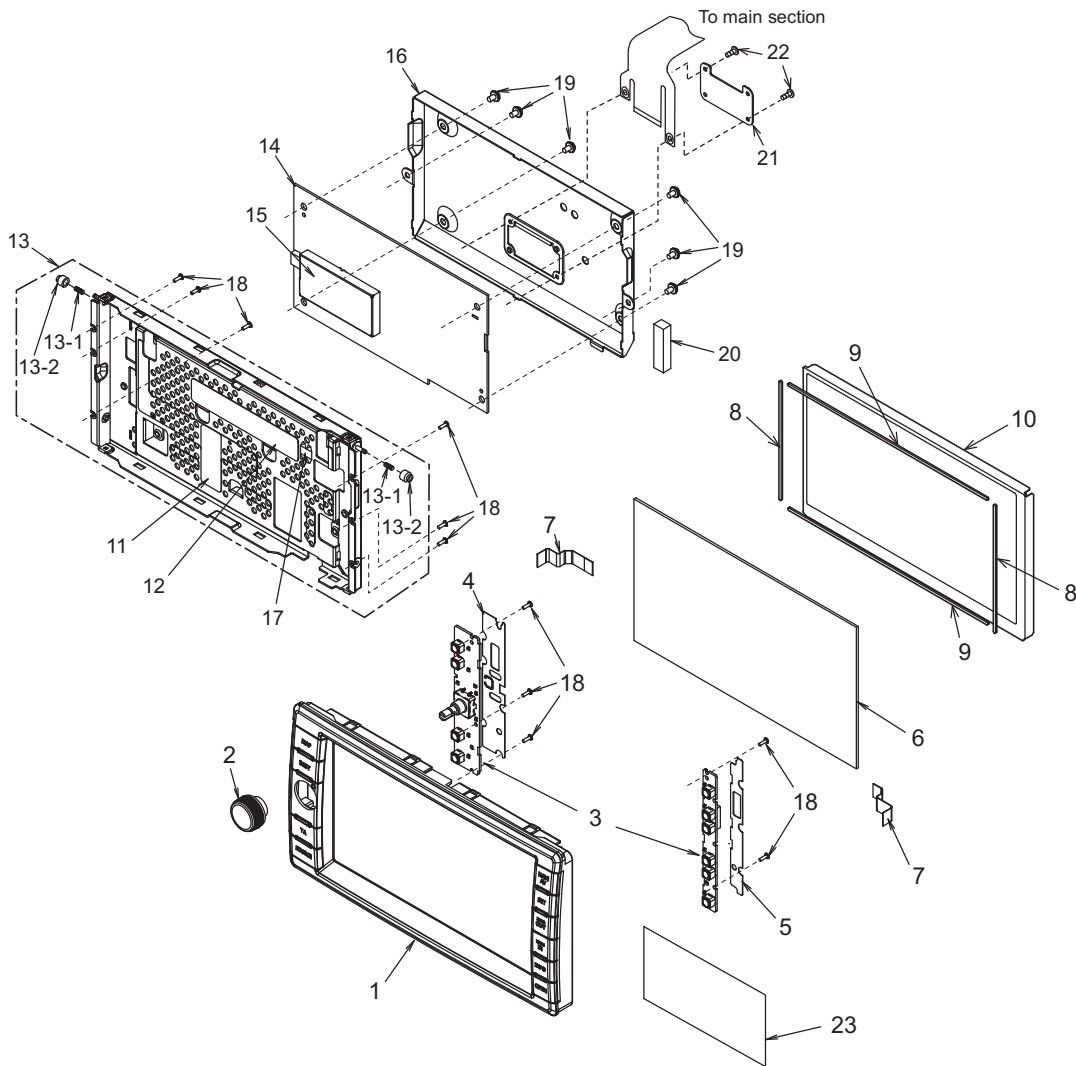
Main section



NO.	PART NO.	DESCRIPTION	Q'TY
1	940-8190-00	INNER-ES-ASSY	1
2	746-0942-00	WASHER	2
3	383-0762-10	HDD COVER	1
4	716-3619-00	SCREW (M3 x 10)	2
5	039-3024-00	FPC (MAIN-ES)	1
6	948-0793-00	TV-SLIDE MECH	1
7	716-3504-10	SCREW (M2.6 x 4)	19
8	-----	AUDIO PWB	1
9	331-4416-00	SHIELD CASE	1
10	331-4401-00	PWB PLATE	1
11	331-4402-00	TR HOLDER	1
12	331-4417-00	SHIELD CASE	1
13	780-3006-51	SCREW (M3 x 6)	7
14	331-3038-00	EARTH PLATE	2
15	-----	NAVI PWB	1
16	331-3664-01	SHIELD CASE	1
17	331-4400-00	PWB PLATE	1
18	345-6138-00	CUSHION	1
19	331-4415-00	SHIELD CASE	1
20	331-2978-00	EARTH PLATE	1
21	345-6122-00	SPACER RUBBER	1
22	345-6123-00	SPACER RUBBER	1
23	335-7016-00	HDD GUIDE-R	1
24	335-7017-00	HDD GUIDE-L	1
25	929-2506-00	DVD MECH	1
26	312-0485-00	LOWER CHASSIS	1
27	312-0481-00	SIDE CHASSIS	1
28	312-0480-01	SIDE CHASSIS	1
29	312-0484-00	UPPER CHASSIS	1
30	310-1839-02	UPPER CASE	1
31	313-2010-00	HEAT SINK	1

NO.	PART NO.	DESCRIPTION	Q'TY
32	309-0842-00	FRONT PLATE	1
33	092-2211-00	ANT CABLE	1
34	-----	JOINT PWB	1
35	347-8346-00	COVER FILM	1
36	039-2982-00	FPC (AUDIO-DVD)	1
37	039-2983-00	FPC (NAVI-DVD)	1
38	347-8345-00	LOWER SHEET	1
39	020-3051-01	DC-MOTOR(SIDE)	1
40	780-2614-50	SCREW (M2.6 x 14)	3
41	345-6120-00	HEAT RUBBER	1
42	020-3052-03	DC-MOTOR(REAR)	1
43	345-6119-00	HEAT RUBBER	1
44	780-2604-50	SCREW (M2.6 x 4)	8
45	731-2608-8B	TAPTIGHT	4
46	714-2604-8B	MACHINE SCREW (M2.6 x 4)	27
47	345-6137-00	CUSHION	1
48	714-2610-8B	MACHINE SCREW (M2.6 x 10)	12
49	345-6121-00	HEAT RUBBER	1
50	716-3504-20	SCREW (M2.6 x 4)	1
51	716-3577-00	DECORATIVE SCREW(M2)	2
52	335-7903-00	BUSH	2
53	331-3659-02	HDD CASE	1
54	276-0293-02 276-0293-03	SETPLATE(QY-5002S-D) SETPLATE(QY-5002S-E)	1
55	313-2011-00	HEAT SINK	1
56	-----	HARD DISC DRIVE	1
57	347-7963-00	HDD PULL SHEET	1
58	331-3660-12	HDD BRKT	1
59	716-3503-50	SCREW (M3 x 4)	4
60	345-6124-00	CUSHION	1
61	854-8253-00	EXTENSION LEAD	1

Escutcheon section



NO.	PART NO.	DESCRIPTION	Q'TY
1	940-8189-00	ESCUTCHEON-ASSY	1
2	380-5697-00	KNOB	1
3	-----	SWITCH PWB	1
4	347-8312-00	INSULATOR-L	1
5	347-8313-00	INSULATOR-R	1
6	013-9718-00	SWITCH (TOUCH PANEL)	1
7	816-3019-55	FLAT WIRE (SW PWB-LCD PWB)	2
8	347-7038-00	SPACER	2
9	347-7423-00	SPACER	2
10	379-0471-00	INDICATOR	1
11	347-8314-00	DOUBLE FACE	1
12	347-7042-00	DOUBLE FACE	1

NO.	PART NO.	DESCRIPTION	Q'TY
13	948-0790-00	PANEL-CHASSIS-ASSY	1
13-1	750-6746-10	ROLLER SPRING	2
13-2	335-7074-00	ROLLER	2
14	-----	LCD PWB	1
15	331-3672-11	SHIELD CASE	1
16	331-4398-00	REAR-COVER	1
17	331-3038-10	EARTH PLATE	1
18	716-0872-61	PAD SCREW(M1.7 x 6)	11
19	716-1611-50	IT SCREW(M2.6 x 4)	6
20	345-6114-00	CUSHION RUBBER	1
21	039-1742-00	SUPPORT PWB	1
22	716-1851-00	SCREW(M2 x 3)	2
23	347-7414-00	PROTECTOR SHEET	1

ELECTRICAL PARTS LIST

Audio PWB(B1) section

REF No.	PART No.	DESCRIPTION	REF No.	PART No.	DESCRIPTION	REF No.	PART No.	DESCRIPTION
ANT101	092-0702-00	ANTENNA RECEPT	C241	168-4732-78	0.047uF K	C322	043-0603-90	16V 10uF
ANT202	092-2203-00	ANT-RECEPT	C242	042-0423-20	10V 10uF	C323	166-1007-50	10pF CH
BL200	880-2091E	AM/FM TUNER	C243	166-1011-50	100pF CH	C324	168-1042-78	16V 0.1uF
C100	168-1042-78	16V 0.1uF	C244	168-1042-78	16V 0.1uF	C325	168-1042-78	16V 0.1uF
C101	168-1042-78	16V 0.1uF	C245	042-0618-50	10V 4.7uF TAN	C326	043-0603-90	16V 10uF
C102	166-1011-50	100pF CH	C246	168-1042-78	16V 0.1uF	C327	168-5612-55	560pF Z
C103	166-1801-50	18pF CH	C247	168-1042-78	16V 0.1uF	C328	168-5612-55	560pF Z
C104	166-2201-50	22pF CH	C248	042-0618-50	10V 4.7uF TAN	C329	168-4712-55	470pF K
C105	043-0551-90	6.3V 4.7uF M	C249	168-1042-78	16V 0.1uF	C330	168-4712-55	470pF K
C106	168-1042-78	16V 0.1uF	C250	166-1011-50	100pF CH	C331	168-6812-55	680pF K
C107	043-0603-90	16V 10uF	C251	168-1052-78	1uF	C332	168-6812-55	680pF K
C108	168-1052-78	1uF	C252	168-2232-55	0.022uF K	C333	168-8212-55	820pF K
C109	168-1042-78	16V 0.1uF	C253	168-1042-78	16V 0.1uF	C334	168-8212-55	820pF K
C110	043-0603-90	16V 10uF	C254	168-3332-78	0.033uF K	C335	043-0603-90	16V 10uF
C111	166-1011-50	100pF CH	C255	042-0618-50	10V 4.7uF TAN	C336	043-0603-90	16V 10uF
C112	042-0416-56	10V 22uF M TAN	C256	166-1811-50	180pF CH	C337	043-0603-90	16V 10uF
C113	168-1022-55	1000pF K	C257	168-1022-55	1000pF K	C338	043-0603-90	16V 10uF
C114	168-1052-78	1uF	C258	168-3322-55	3300pF K	C339	043-0603-90	16V 10uF
C115	168-1032-55	0.01uF K	C259	168-3322-55	3300pF K	C340	043-0603-90	16V 10uF
C116	042-0650-01	5.5V 0.22F	C260	168-1022-55	1000pF K	C341	043-0603-90	16V 10uF
C117	168-1052-78	1uF	C261	042-1726-90	6.3V 100uF	C342	168-1042-78	16V 0.1uF
C118	168-1232-55	0.012uF K	C262	168-1042-78	16V 0.1uF	C343	168-1042-78	16V 0.1uF
C119	168-1232-55	0.012uF K	C263	168-1042-78	16V 0.1uF	C344	168-1042-78	16V 0.1uF
C120	168-1022-55	1000pF K	C264	042-0618-50	10V 4.7uF TAN	C345	168-4712-55	470pF K
C121	168-1042-78	16V 0.1uF	C265	166-1011-50	100pF CH	C346	168-4712-55	470pF K
C122	042-0650-01	5.5V 0.22F	C266	168-1042-78	16V 0.1uF	C347	166-1011-50	100pF CH
C123	168-1042-78	16V 0.1uF	C267	168-1022-55	1000pF K	C348	166-1011-50	100pF CH
C124	042-0416-57	10V 47uF M TAN	C268	168-3322-55	3300pF K	C349	043-0559-90	6.3V 22uF
C125	168-1042-78	16V 0.1uF	C269	168-3322-55	3300pF K	C350	043-0559-90	6.3V 22uF
C126	165-1073-35	16V 100uF	C270	168-1022-55	1000pF K	C351	043-0559-90	6.3V 22uF
C127	168-1042-78	16V 0.1uF	C271	168-2232-55	0.022uF K	C352	043-0559-90	6.3V 22uF
C128	168-1042-78	16V 0.1uF	C272	166-1007-50	10pF CH	C353	168-8212-55	820pF K
C202	166-2201-50	22pF CH	C273	166-1007-50	10pF CH	C354	168-8212-55	820pF K
C203	168-1042-78	16V 0.1uF	C274	168-4712-55	470pF K	C355	166-1011-50	100pF CH
C204	168-1042-78	16V 0.1uF	C275	166-1007-50	10pF CH	C356	166-1011-50	100pF CH
C205	166-1511-50	150pF CH	C276	166-1011-50	100pF CH	C357	168-1042-78	16V 0.1uF
C206	043-0603-90	16V 10uF	C277	166-1011-50	100pF CH	C358	168-1042-78	16V 0.1uF
C207	043-0603-90	16V 10uF	C278	168-1042-78	16V 0.1uF	C359	168-2232-55	0.022uF K
C208	043-0603-90	16V 10uF	C280	042-1726-90	6.3V 100uF	C360	168-2232-55	0.022uF K
C209	043-0603-90	16V 10uF	C281	168-1042-78	16V 0.1uF	C361	043-0264-56	270pF
C210	043-0603-90	16V 10uF	C282	166-1011-50	100pF CH	C362	043-0264-56	270pF
C211	043-0603-90	16V 10uF	C283	178-3342-78	0.33uF	C363	168-1042-78	16V 0.1uF
C212	165-1073-35	16V 100uF	C284	168-2232-55	0.022uF K	C364	165-1063-35	16V 10uF
C213	168-1032-55	0.01uF K	C285	168-2232-55	0.022uF K	C365	165-1063-35	16V 10uF
C214	168-2232-55	0.022uF K	C286	166-1011-50	100pF CH	C366	165-1063-35	16V 10uF
C215	166-1011-50	100pF CH	C288	166-1011-50	100pF CH	C367	166-2701-50	27pF CH
C216	168-1042-78	16V 0.1uF	C289	166-1007-50	10pF CH	C368	166-2701-50	27pF CH
C217	168-1022-55	1000pF K	C295	168-1042-78	16V 0.1uF	C369	165-1073-15	6.3V 100uF
C218	168-1042-78	16V 0.1uF	C297	168-1042-78	16V 0.1uF	C370	166-4701-50	47pF CH
C219	165-4763-15	6.3V 47uF	C298	166-1011-50	100pF CH	C371	166-4701-50	47pF CH
C220	043-0603-90	16V 10uF	C299	168-1042-78	16V 0.1uF	C372	043-0559-90	6.3V 22uF
C221	043-0603-90	16V 10uF	C300	165-1063-35	16V 10uF	C373	043-0559-90	6.3V 22uF
C222	178-2242-78	0.22uF	C301	168-1042-78	16V 0.1uF	C374	166-1011-50	100pF CH
C223	168-4712-55	470pF K	C302	043-0603-90	16V 10uF	C375	168-1042-78	16V 0.1uF
C224	168-4712-55	470pF K	C304	165-4763-15	6.3V 47uF	C376	168-1042-78	16V 0.1uF
C225	168-1042-78	16V 0.1uF	C305	043-0603-90	16V 10uF	C377	168-1042-78	16V 0.1uF
C226	168-5612-55	560pF Z	C306	043-0603-90	16V 10uF	C378	168-1052-78	1uF
C227	168-5612-55	560pF Z	C307	043-0603-90	16V 10uF	C379	168-1042-78	16V 0.1uF
C228	168-5612-55	560pF Z	C308	165-4763-15	6.3V 47uF	C380	166-1021-50	1000pF CH
C229	168-5612-55	560pF Z	C309	168-1022-55	1000pF K	C381	166-1021-50	1000pF CH
C230	166-1011-50	100pF CH	C310	168-1022-55	1000pF K	C382	166-1011-50	100pF CH
C231	166-4701-50	47pF CH	C311	168-1022-55	1000pF K	C383	165-4763-35	16V 47uF
C232	166-4701-50	47pF CH	C312	168-1022-55	1000pF K	C384	168-1042-78	16V 0.1uF
C233	168-1022-55	1000pF K	C313	043-0547-50	16V 3.3uF	C385	168-1042-78	16V 0.1uF
C234	168-1042-78	16V 0.1uF	C314	168-1042-78	16V 0.1uF	C386	168-1052-78	1uF
C235	042-1726-90	6.3V 100uF	C315	043-0603-90	16V 10uF	C387	168-1052-78	1uF
C236	168-1042-78	16V 0.1uF	C316	043-0603-90	16V 10uF	C388	168-1052-78	1uF
C237	042-0416-57	10V 47uF M TAN	C317	168-1042-78	16V 0.1uF	C389	168-1052-78	1uF
C238	042-0416-56	10V 22uF M TAN	C318	168-1042-78	16V 0.1uF	C390	165-4753-55	35V 4.7uF
C239	168-1042-78	16V 0.1uF	C319	043-0603-90	16V 10uF	C391	165-4753-55	35V 4.7uF
C240	042-1726-90	6.3V 100uF	C320	043-0603-90	16V 10uF	C392	165-1073-35	16V 100uF
			C321	043-0603-90	16V 10uF			

REF No.	PART No.	DESCRIPTION	REF No.	PART No.	DESCRIPTION	REF No.	PART No.	DESCRIPTION
C393	165-4763-15	6.3V 47uF	C641	168-1042-78	16V 0.1uF	D619	001-2630-90	1SS420-TPL3,F
C394	165-4763-15	6.3V 47uF	C642	168-2222-55	2200pF K	D620	001-2630-90	1SS420-TPL3,F
C395	042-1754-90	6.3V 1000uF M	C643	168-2222-55	2200pF K	D655	001-0517-90	1SS355
C396	165-1063-35	16V 10uF	C644	168-2222-55	2200pF K	D660	001-0517-90	1SS355
C397	168-1042-78	16V 0.1uF	C645	168-2222-55	2200pF K	F400	060-8066-90	4A
C398	168-1032-55	0.01uF K	C646	168-2222-55	2200pF K	FIL300	060-3114-52	LFA20-2A1
C399	166-3096-50	3pF CJ	C647	168-2222-55	2200pF K	FIL301	060-3114-52	LFA20-2A1
C400	168-1032-55	0.01uF K	C648	165-3363-45	25V 33uF	FIL501	060-3116-52	EMI-FILTER
C401	168-1032-55	0.01uF K	C649	168-2222-55	2200pF K	FIL506	060-3114-52	LFA20-2A1
C402	168-1042-78	16V 0.1uF	C650	168-2222-55	2200pF K	FIL507	060-3114-52	LFA20-2A1
C403	168-1052-78	1uF	C652	168-1042-78	16V 0.1uF	FIL508	060-3114-52	LFA20-2A1
C404	165-4763-15	6.3V 47uF	C653	042-1746-00	16V 2200uF	FIL509	060-3114-52	LFA20-2A1
C405	168-1052-78	1uF	C680	168-1042-78	16V 0.1uF	FIL510	060-3116-52	EMI-FILTER
C450	043-0547-50	16V 3.3uF	C682	166-4711-50	470pF CH	IC100	051-9402-68	BR93L56F-W
C500	168-1042-78	16V 0.1uF	C683	166-4711-50	470pF CH	IC101	051-9402-68	BR93L56F-W
C501	168-1042-78	16V 0.1uF	C684	166-4711-50	470pF CH	IC102	052-7080-12	uPD70F3276YGJ-UEN-A
C502	168-1042-78	16V 0.1uF	C685	166-4711-50	470pF CH	IC103	051-5408-08	S-80921ANMP-DDJ
C503	165-1073-35	16V 100uF	C691	168-1042-78	16V 0.1uF	IC104	051-5408-38	R3112N211A-TR
C504	168-1022-55	1000pF K	C692	168-1042-78	16V 0.1uF	IC105	051-3406-90	NJM2078M
C507	042-0416-57	10V 47uF M TAN	C693	168-1042-78	16V 0.1uF	IC106	051-7202-28	TC75H32FU TE85L
C508	168-1042-78	16V 0.1uF	C694	043-0563-90	16V 47uF	IC200	051-1905-91	AN77L05M
C509	042-0416-57	10V 47uF M TAN	C695	165-1073-35	16V 100uF	IC201	-----	SAF7730H/N116F
C510	168-1042-38	50V 0.1uF	C696	165-1073-35	16V 100uF	IC300	051-6736-90	WM8728EDS/R
C511	043-0603-90	16V 10uF	C699	165-2263-35	16V 22uF	IC301	051-6736-90	WM8728EDS/R
C512	042-1750-90	16V 100uF M	D100	001-0529-43	MA8082-L	IC302	051-3054-90	HA17558ATEL
C513	043-0603-90	16V 10uF	D102	001-0529-26	MA8047-M	IC303	051-3026-90	NJM4580V
C516	042-1750-90	16V 100uF M	D103	060-8078-00	EZAEG3A50AV	IC304	051-3026-90	NJM4580V
C517	168-1042-78	16V 0.1uF	D150	001-0517-90	1SS355	IC305	051-1811-90	BA3129F
C518	168-1042-78	16V 0.1uF	D180	001-2630-90	1SS420-TPL3,F	IC306	051-3026-90	NJM4580V
C521	168-3342-58	0.33uF	D200	001-0517-90	1SS355	IC307	051-3026-90	NJM4580V
C522	168-3342-58	0.33uF	D250	001-0529-21	MA8039-H	IC308	051-5306-90	MM1117XF
C524	168-1042-78	16V 0.1uF	D251	001-1305-90	DAN217U-T106	IC309	051-5306-90	MM1117XF
C525	168-1022-55	1000pF K	D252	001-1305-90	DAN217U-T106	IC310	051-3927-90	NJM2505F
C526	168-1022-55	1000pF K	D300	001-0529-44	MA8082-M	IC311	051-5326-90	TK15420MTL
C595	168-1042-78	16V 0.1uF	D301	001-0517-90	1SS355	IC315	051-5336-90	MM1227XFBE
C600	178-2242-78	0.22uF	D302	001-0517-90	1SS355	IC500	051-3513-90	PQ070XH02ZPH
C601	178-2242-78	0.22uF	D303	001-0529-27	MA8047H	IC501	051-3289-00	BA09ST
C602	178-2242-78	0.22uF	D304	001-0517-90	1SS355	IC502	051-3513-90	PQ070XH02ZPH
C603	178-2242-78	0.22uF	D305	001-0517-90	1SS355	IC504	051-7244-08	TC7WH125FU-TE12L
C604	168-1052-78	1uF	D306	001-0517-90	1SS355	IC515	051-7202-28	TC75H32FU TE85L
C605	168-1042-78	16V 0.1uF	D307	001-0529-21	MA8039-H	IC600	051-3294-90	TA78DS10F
C606	042-1753-90	16V 100uF M	D308	001-1305-90	DAN217U-T106	IC601	051-3342-90	BA05CC0WFP-004EL
C607	042-1753-90	16V 100uF M	D309	001-1305-90	DAN217U-T106	IC602	051-3377-90	LM3485MM
C608	166-1811-50	180pF CH	D310	001-1305-90	DAN217U-T106	IC603	051-2057-00	TB2906HQ
C609	166-1211-50	120pF CH	D311	001-1305-90	DAN217U-T106	IC604	-----	LP2951ACSD/AULF
C610	168-1042-78	16V 0.1uF	D312	001-1305-90	DAN217U-T106	IC605	051-6600-58	HA12187FP
C611	168-1042-78	16V 0.1uF	D313	001-1305-90	DAN217U-T106	J100	075-0339-00	MINI JACK
C612	168-1052-78	1uF	D314	001-0517-90	1SS355	J101	074-3023-58	8P
C613	166-1211-50	120pF CH	D460	001-0517-90	1SS355	J300	074-1030-00	MINI DIN 8P
C614	168-1042-78	16V 0.1uF	D502	001-2630-90	1SS420-TPL3,F	J500	074-2201-83	33P
C615	168-1022-55	1000pF K	D504	001-0529-32	MA8056-M	J501	074-3014-80	30P
C616	042-1750-90	16V 100uF M	D505	001-0529-32	MA8056-M	J502	074-3018-80	SOCKET 30P
C617	165-1073-35	16V 100uF	D506	001-0529-32	MA8056-M	J503	074-2225-92	SOCKET(42P)
C618	168-1032-55	0.01uF K	D507	001-0529-32	MA8056-M	J600	074-1194-00	13P CE-NET
C619	165-1073-35	16V 100uF	D509	001-2630-90	1SS420-TPL3,F	J601	074-4007-20	SOCKET(20P)
C620	042-1753-90	16V 100uF M	D600	001-0517-90	1SS355	L100	010-2279-50	4.7uH
C621	168-1042-78	16V 0.1uF	D601	001-2629-90	D1FM3-5063	L101	010-2279-50	4.7uH
C622	165-2263-35	16V 22uF	D602	001-0517-90	1SS355	L102	010-3105-62	1k ohm/100MHz
C624	168-4732-78	0.047uF K	D603	001-4100-50	PTZ TE25 9.1B	L103	010-3105-62	1k ohm/100MHz
C625	168-1042-78	16V 0.1uF	D604	001-0517-90	1SS355	L105	010-3104-53	220 ohm/100MHz
C626	042-0423-20	10V 10uF	D605	001-2403-90	M1F60	L106	010-3105-62	1k ohm/100MHz
C627	165-1063-35	16V 10uF	D606	001-0517-90	1SS355	L107	010-3105-62	1k ohm/100MHz
C628	043-0566-90	50V 2.2uF K	D607	001-0517-90	1SS355	L108	010-3105-62	1k ohm/100MHz
C629	168-1042-38	50V 0.1uF	D608	001-2403-90	M1F60	L109	010-2279-50	4.7uH
C630	178-4742-78	0.47uF	D609	001-4310-00	RLZ TE-11 9.1B	L202	010-2003-04	30uH
C631	042-0592-58	16V 10uF	D610	001-0517-90	1SS355	L205	010-2279-50	4.7uH
C633	168-1052-78	1uF	D611	001-0517-90	1SS355	L206	010-2279-50	4.7uH
C634	168-1042-78	16V 0.1uF	D612	001-0517-90	1SS355	L207	010-3105-62	1k ohm/100MHz
C635	042-1746-00	16V 2200uF	D613	001-0529-32	MA8056-M	L208	010-3109-63	1k ohm/100MHz
C636	168-1042-78	16V 0.1uF	D614	001-0517-90	1SS355	L209	010-3105-62	1k ohm/100MHz
C637	168-1052-78	1uF	D615	001-0529-26	MA8047-M	L210	010-3105-62	1k ohm/100MHz
C638	042-1750-90	16V 100uF M	D616	001-0517-90	1SS355			
C639	043-0499-51	0.1uF	D617	001-0584-35	MA8240			
C640	168-1052-78	1uF	D618	001-4311-00	ST70-27F-7072			

REF No.	PART No.	DESCRIPTION	REF No.	PART No.	DESCRIPTION	REF No.	PART No.	DESCRIPTION
L211	010-3105-62	1k ohm/100MHz	P300	076-0714-12	PLUG	R106	119-1031-15	1/10W 10k ohm
L212	010-3105-62	1k ohm/100MHz	Q100	125-2026-92	UN5212	R107	119-1031-15	1/10W 10k ohm
L213	010-3105-62	1k ohm/100MHz	Q103	192-4081-00	2SC4081	R108	119-1031-15	1/10W 10k ohm
L214	010-3103-64	1.5k ohm/100MHz	Q104	125-0020-92	UN5112	R109	119-1021-15	1/10W 1k ohm
L215	010-3105-62	1k ohm/100MHz	Q105	192-4081-00	2SC4081	R110	119-1031-15	1/10W 10k ohm
L216	010-3105-62	1k ohm/100MHz	Q106	192-4081-00	2SC4081	R111	119-1031-15	1/10W 10k ohm
L299	010-3407-66	22uH J	Q107	192-4081-00	2SC4081	R112	119-1031-15	1/10W 10k ohm
L300	010-3105-62	1k ohm/100MHz	Q150	125-0020-92	UN5112	R113	119-1031-15	1/10W 10k ohm
L301	010-3105-62	1k ohm/100MHz	Q165	192-4081-00	2SC4081	R114	119-1031-15	1/10W 10k ohm
L302	010-3103-64	1.5k ohm/100MHz	Q200	125-2026-95	UN521N	R117	119-1031-15	1/10W 10k ohm
L303	010-3103-64	1.5k ohm/100MHz	Q201	190-1298-00	2SA1298	R120	119-1031-15	1/10W 10k ohm
L304	010-3103-64	1.5k ohm/100MHz	Q202	125-2026-95	UN521N	R121	119-1031-15	1/10W 10k ohm
L305	010-3103-64	1.5k ohm/100MHz	Q203	190-1298-00	2SA1298	R122	119-0000-05	1/10W 0 ohm JW
L306	010-3103-64	1.5k ohm/100MHz	Q204	125-7005-90	PHK04P02T	R123	119-1031-15	1/10W 10k ohm
L307	010-3103-64	1.5k ohm/100MHz	Q300	192-4081-00	2SC4081	R125	119-2231-15	1/10W 22k ohm
L312	010-2279-50	4.7uH	Q301	125-2026-96	UN5210	R126	119-1031-15	1/10W 10k ohm
L313	010-3406-66	22uH J	Q302	125-2026-96	UN5210	R127	119-1031-15	1/10W 10k ohm
L350	010-3105-62	1k ohm/100MHz	Q303	125-0020-91	UN5111	R128	119-1031-15	1/10W 10k ohm
L500	010-3104-53	220 ohm/100MHz	Q304	192-4081-00	2SC4081	R129	119-3941-15	1/10W 390k ohm
L501	010-3104-53	220 ohm/100MHz	Q305	125-2026-96	UN5210	R130	119-0000-05	1/10W 0 ohm JW
L502	010-3104-53	220 ohm/100MHz	Q306	125-0021-95	DTA143ZUA-T106	R131	119-1011-15	1/10W 100 ohm
L503	010-3104-53	220 ohm/100MHz	Q307	125-0021-95	DTA143ZUA-T106	R133	116-6801-15	1/4W 68 ohm
L504	010-3105-62	1k ohm/100MHz	Q308	193-1306-00	2SD1306	R134	119-1031-15	1/10W 10k ohm
L505	010-3105-62	1k ohm/100MHz	Q309	193-1306-00	2SD1306	R136	119-1031-15	1/10W 10k ohm
L506	010-3105-62	1k ohm/100MHz	Q310	193-1306-00	2SD1306	R138	119-4711-15	1/10W 470 ohm
L507	010-3407-26	0.01uH	Q311	193-1306-00	2SD1306	R139	119-1031-15	1/10W 10k ohm
L509	010-3104-53	220 ohm/100MHz	Q312	193-1306-00	2SD1306	R141	119-1011-15	1/10W 100 ohm
L510	010-3104-53	220 ohm/100MHz	Q313	193-1306-00	2SD1306	R142	119-1031-15	1/10W 10k ohm
L511	010-3104-53	220 ohm/100MHz	Q314	192-4081-00	2SC4081	R143	119-1231-15	1/10W 12k ohm
L512	010-3105-62	1k ohm/100MHz	Q315	193-1306-00	2SD1306	R144	119-1021-15	1/10W 1k ohm
L513	010-3105-62	1k ohm/100MHz	Q316	193-1306-00	2SD1306	R145	119-4721-15	1/10W 4.7k ohm
L515	010-3105-62	1k ohm/100MHz	Q465	190-1736-00	2SA1736	R146	119-1031-15	1/10W 10k ohm
L516	010-3105-62	1k ohm/100MHz	Q466	125-2026-95	UN521N	R147	032-0140-66	1/10W 220 ohm F
L521	010-3104-53	220 ohm/100MHz	Q502	125-2026-93	UN5213	R148	119-4731-15	1/10W 47k ohm
L524	010-3105-62	1k ohm/100MHz	Q506	125-9017-92	UMD3N-TR	R149	119-1031-15	1/10W 10k ohm
L526	010-3105-62	1k ohm/100MHz	Q507	125-9017-92	UMD3N-TR	R150	119-2231-15	1/10W 22k ohm
L527	010-3105-62	1k ohm/100MHz	Q600	125-2026-95	UN521N	R151	119-1031-15	1/10W 10k ohm
L528	010-3105-62	1k ohm/100MHz	Q601	190-1298-00	2SA1298	R152	119-1031-15	1/10W 10k ohm
L529	010-3105-62	1k ohm/100MHz	Q602	125-2026-95	UN521N	R153	119-1031-15	1/10W 10k ohm
L530	010-3105-62	1k ohm/100MHz	Q603	190-1736-00	2SA1736	R154	119-1031-15	1/10W 10k ohm
L531	010-3105-62	1k ohm/100MHz	Q604	101-1143-00	2SB1143	R155	119-0000-05	1/10W 0 ohm JW
L532	010-3105-62	1k ohm/100MHz	Q605	125-2026-95	UN521N	R156	119-1041-15	1/10W 100k ohm
L533	010-3105-62	1k ohm/100MHz	Q606	190-1736-00	2SA1736	R157	119-4741-15	1/10W 470k ohm
L534	010-3105-62	1k ohm/100MHz	Q607	125-7008-90	RSS050P03	R158	032-0140-03	1/10W 220k ohm F
L535	010-3104-53	220 ohm/100MHz	Q608	125-2026-92	UN5212	R159	119-4741-15	1/10W 470k ohm
L536	010-3104-53	220 ohm/100MHz	Q609	190-1298-00	2SA1298	R160	119-1041-15	1/10W 100k ohm
L537	010-3104-53	220 ohm/100MHz	Q610	102-3420-50	2SC3420 GR,BL	R161	119-1041-15	1/10W 100k ohm
L538	010-3104-53	220 ohm/100MHz	Q611	125-2026-95	UN521N	R162	032-0140-66	1/10W 220 ohm F
L539	010-3105-62	1k ohm/100MHz	Q612	190-1736-00	2SA1736	R163	119-1031-15	1/10W 10k ohm
L540	010-3105-62	1k ohm/100MHz	Q613	193-1306-00	2SD1306	R164	119-1031-15	1/10W 10k ohm
L541	010-3105-62	1k ohm/100MHz	Q614	190-2096-00	2SA2096	R165	119-1031-15	1/10W 10k ohm
L542	010-3105-62	1k ohm/100MHz	Q615	125-2026-92	UN5212	R166	119-4731-15	1/10W 47k ohm
L543	010-3105-62	1k ohm/100MHz	Q616	190-1576-00	2SA1576A	R167	119-1041-15	1/10W 100k ohm
L544	010-3105-62	1k ohm/100MHz	Q618	125-2026-95	UN521N	R168	119-1031-15	1/10W 10k ohm
L545	010-3105-62	1k ohm/100MHz	Q619	190-1736-00	2SA1736	R169	119-4731-15	1/10W 47k ohm
L546	010-3105-62	1k ohm/100MHz	Q620	125-2026-95	UN521N	R170	032-0140-67	1/10W 3.3k ohm F
L547	010-3105-62	1k ohm/100MHz	Q621	131-1188-00	2SB1188	R171	032-0140-51	1/10W 15k ohm F
L548	010-3105-62	1k ohm/100MHz	Q622	193-2118-00	2SD2118F5 Q,R,S	R172	119-1011-15	1/10W 100 ohm
L550	010-3105-62	1k ohm/100MHz	Q623	125-2026-95	UN521N	R173	119-1051-15	1/10W 1M ohm
L560	010-3105-62	1k ohm/100MHz	Q624	190-1736-00	2SA1736	R174	032-0140-56	1/10W 12k ohm F
L561	010-3105-62	1k ohm/100MHz	Q625	192-4081-00	2SC4081	R175	032-0140-52	1/10W 33k ohm F
L570	010-3105-62	1k ohm/100MHz	Q626	190-1576-00	2SA1576A	R176	032-0140-03	1/10W 220k ohm F
L571	010-3105-62	1k ohm/100MHz	Q627	125-2026-93	UN5213	R177	119-1031-15	1/10W 10k ohm
L572	010-3105-62	1k ohm/100MHz	Q628	190-1298-00	2SA1298	R178	119-4731-15	1/10W 47k ohm
L573	010-3105-62	1k ohm/100MHz	Q629	125-2026-93	UN5213	R179	119-4731-15	1/10W 47k ohm
L600	010-3104-54	600 ohm/100MHz	Q630	192-4081-00	2SC4081	R180	119-4731-15	1/10W 47k ohm
L601	010-3075-51	27uH	Q631	192-4081-00	2SC4081	R181	119-1031-15	1/10W 10k ohm
L602	010-3500-90	4.7uH	Q632	190-1298-00	2SA1298	R182	119-4731-15	1/10W 47k ohm
L603	010-8020-01	CHOKE	R100	119-4731-15	1/10W 47k ohm	R183	119-0000-05	1/10W 0 ohm JW
L604	010-3104-53	220 ohm/100MHz	R101	119-4731-15	1/10W 47k ohm	R190	119-1031-15	1/10W 10k ohm
L660	010-3015-58	4.7uH	R102	119-1021-15	1/10W 1k ohm	R191	032-0140-22	1/10W 68k ohm F
L661	010-2275-55	4.7uH	R103	119-1041-15	1/10W 100k ohm	R192	032-0140-52	1/10W 33k ohm F
L680	010-2279-50	4.7uH	R104	119-1021-15	1/10W 1k ohm	R193	032-0140-70	1/10W 1.8k ohm F
L695	010-3104-53	220 ohm/100MHz	R105	119-1031-15	1/10W 10k ohm	R194	119-1031-15	1/10W 10k ohm

REF No.	PART No.	DESCRIPTION	REF No.	PART No.	DESCRIPTION	REF No.	PART No.	DESCRIPTION
R195	119-4731-15	1/10W 47k ohm	R308	119-1021-15	1/10W 1k ohm	R384	119-4731-15	1/10W 47k ohm
R196	119-4731-15	1/10W 47k ohm	R309	119-2231-15	1/10W 22k ohm	R385	119-1041-15	1/10W 100k ohm
R198	119-1811-15	1/10W 180 ohm	R310	119-1021-15	1/10W 1k ohm	R386	119-1041-15	1/10W 100k ohm
R199	119-1021-15	1/10W 1k ohm	R311	119-8221-15	1/10W 8.2k ohm	R387	119-1041-15	1/10W 100k ohm
R200	119-2231-15	1/10W 22k ohm	R312	119-1031-15	1/10W 10k ohm	R388	119-2231-15	1/10W 22k ohm
R201	119-1031-15	1/10W 10k ohm	R313	119-1021-15	1/10W 1k ohm	R389	119-2231-15	1/10W 22k ohm
R202	119-1021-15	1/10W 1k ohm	R314	119-8221-15	1/10W 8.2k ohm	R390	119-4731-15	1/10W 47k ohm
R203	119-1041-15	1/10W 100k ohm	R315	119-1021-15	1/10W 1k ohm	R391	119-4731-15	1/10W 47k ohm
R204	119-1011-15	1/10W 100 ohm	R316	119-2231-15	1/10W 22k ohm	R392	119-4731-15	1/10W 47k ohm
R205	119-1011-15	1/10W 100 ohm	R318	119-3311-15	1/10W 330 ohm	R393	119-4731-15	1/10W 47k ohm
R206	119-1011-15	1/10W 100 ohm	R319	119-3311-15	1/10W 330 ohm	R394	119-3921-15	1/10W 3.9k ohm
R207	119-1031-15	1/10W 10k ohm	R321	119-2221-15	1/10W 2.2k ohm	R395	119-4731-15	1/10W 47k ohm
R208	119-2231-15	1/10W 22k ohm	R322	119-2231-15	1/10W 22k ohm	R396	119-3921-15	1/10W 3.9k ohm
R209	119-1021-15	1/10W 1k ohm	R323	119-2231-15	1/10W 22k ohm	R397	119-4731-15	1/10W 47k ohm
R212	119-1031-15	1/10W 10k ohm	R324	119-1031-15	1/10W 10k ohm	R398	119-3321-15	1/10W 3.3k ohm
R213	119-1031-15	1/10W 10k ohm	R325	119-1031-15	1/10W 10k ohm	R399	119-0000-05	1/10W 0 ohm JW
R214	119-4721-15	1/10W 4.7k ohm	R326	119-1031-15	1/10W 10k ohm	R401	119-3321-15	1/10W 3.3k ohm
R215	032-0140-80	1/10W 18k ohm F	R327	119-1031-15	1/10W 10k ohm	R402	119-1031-15	1/10W 10k ohm
R216	032-0140-51	1/10W 15k ohm F	R328	119-3311-15	1/10W 330 ohm	R403	119-4731-15	1/10W 47k ohm
R217	032-0140-80	1/10W 18k ohm F	R329	119-3311-15	1/10W 330 ohm	R404	119-2231-15	1/10W 22k ohm
R218	032-0140-51	1/10W 15k ohm F	R330	119-2721-15	1/10W 2.7k ohm	R405	119-2231-15	1/10W 22k ohm
R219	032-0140-51	1/10W 15k ohm F	R331	119-2721-15	1/10W 2.7k ohm	R406	119-0000-05	1/10W 0 ohm JW
R220	032-0140-80	1/10W 18k ohm F	R332	119-2721-15	1/10W 2.7k ohm	R408	119-2231-15	1/10W 22k ohm
R221	032-0140-51	1/10W 15k ohm F	R333	119-2721-15	1/10W 2.7k ohm	R409	119-2231-15	1/10W 22k ohm
R222	032-0140-80	1/10W 18k ohm F	R334	119-1021-15	1/10W 1k ohm	R410	119-1021-15	1/10W 1k ohm
R223	119-1041-15	1/10W 100k ohm	R335	119-1021-15	1/10W 1k ohm	R411	119-1021-15	1/10W 1k ohm
R224	119-8231-15	1/10W 82k ohm	R336	119-4731-15	1/10W 47k ohm	R412	119-2221-15	1/10W 2.2k ohm
R225	119-8231-15	1/10W 82k ohm	R337	119-4731-15	1/10W 47k ohm	R413	119-2221-15	1/10W 2.2k ohm
R226	119-1041-15	1/10W 100k ohm	R338	119-4731-15	1/10W 47k ohm	R419	032-0140-12	1/10W 75 ohm F
R227	032-0140-51	1/10W 15k ohm F	R339	119-4731-15	1/10W 47k ohm	R420	119-4731-15	1/10W 47k ohm
R228	032-0140-80	1/10W 18k ohm F	R340	119-1041-15	1/10W 100k ohm	R421	032-0140-12	1/10W 75 ohm F
R229	032-0140-51	1/10W 15k ohm F	R341	119-1041-15	1/10W 100k ohm	R422	032-0140-12	1/10W 75 ohm F
R230	032-0140-80	1/10W 18k ohm F	R342	032-0140-56	1/10W 12k ohm F	R423	032-0140-12	1/10W 75 ohm F
R231	032-0140-80	1/10W 18k ohm F	R343	032-0140-56	1/10W 12k ohm F	R425	032-0140-12	1/10W 75 ohm F
R232	032-0140-51	1/10W 15k ohm F	R344	119-2231-15	1/10W 22k ohm	R426	119-1031-15	1/10W 10k ohm
R233	032-0140-80	1/10W 18k ohm F	R345	119-2231-15	1/10W 22k ohm	R427	119-1031-15	1/10W 10k ohm
R234	032-0140-51	1/10W 15k ohm F	R346	119-1031-15	1/10W 10k ohm	R428	119-4721-15	1/10W 4.7k ohm
R235	119-4721-15	1/10W 4.7k ohm	R347	119-1031-15	1/10W 10k ohm	R429	119-2221-15	1/10W 2.2k ohm
R236	119-1001-15	1/10W 10 ohm	R348	119-1031-15	1/10W 10k ohm	R430	119-4721-15	1/10W 4.7k ohm
R237	119-4721-15	1/10W 4.7k ohm	R349	119-1031-15	1/10W 10k ohm	R431	119-2221-15	1/10W 2.2k ohm
R238	119-4721-15	1/10W 4.7k ohm	R350	119-1031-15	1/10W 10k ohm	R432	119-4731-15	1/10W 47k ohm
R239	119-1011-15	1/10W 100 ohm	R351	119-1031-15	1/10W 10k ohm	R433	119-4731-15	1/10W 47k ohm
R240	119-1011-15	1/10W 100 ohm	R352	119-1031-15	1/10W 10k ohm	R434	119-1011-15	1/10W 100 ohm
R241	119-1011-15	1/10W 100 ohm	R353	119-1031-15	1/10W 10k ohm	R450	119-4731-15	1/10W 47k ohm
R242	119-1021-15	1/10W 1k ohm	R354	119-1031-15	1/10W 10k ohm	R451	119-4731-15	1/10W 47k ohm
R243	119-4721-15	1/10W 4.7k ohm	R355	119-1031-15	1/10W 10k ohm	R452	119-4731-15	1/10W 47k ohm
R244	119-1011-15	1/10W 100 ohm	R356	119-3321-15	1/10W 3.3k ohm	R453	119-4731-15	1/10W 47k ohm
R245	119-1011-15	1/10W 100 ohm	R357	119-3321-15	1/10W 3.3k ohm	R465	032-0140-66	1/10W 220 ohm F
R246	119-1011-15	1/10W 100 ohm	R358	119-2721-15	1/10W 2.7k ohm	R466	032-0140-66	1/10W 220 ohm F
R247	119-1011-15	1/10W 100 ohm	R359	119-2721-15	1/10W 2.7k ohm	R501	116-1211-15	1/4W 120 ohm
R248	119-1031-15	1/10W 10k ohm	R360	032-0140-51	1/10W 15k ohm F	R502	119-1031-15	1/10W 10k ohm
R249	119-1011-15	1/10W 100 ohm	R361	032-0140-51	1/10W 15k ohm F	R503	116-1211-15	1/4W 120 ohm
R250	119-1031-15	1/10W 10k ohm	R362	119-4731-15	1/10W 47k ohm	R504	116-1211-15	1/4W 120 ohm
R251	119-1011-15	1/10W 100 ohm	R363	119-4731-15	1/10W 47k ohm	R505	119-4731-15	1/10W 47k ohm
R252	119-1031-15	1/10W 10k ohm	R364	119-2231-15	1/10W 22k ohm	R506	116-2211-15	1/4W 220 ohm
R253	119-1031-15	1/10W 10k ohm	R365	119-2231-15	1/10W 22k ohm	R507	119-0000-05	1/10W 0 ohm JW
R254	119-1031-15	1/10W 10k ohm	R366	032-0140-51	1/10W 15k ohm F	R509	032-0140-75	1/10W 1.5k ohm F
R255	119-1011-15	1/10W 100 ohm	R367	032-0140-51	1/10W 15k ohm F	R510	032-0140-71	1/10W 390 ohm F
R256	119-1031-15	1/10W 10k ohm	R368	119-2231-15	1/10W 22k ohm	R511	032-0140-62	1/10W 1k ohm F
R257	119-4721-15	1/10W 4.7k ohm	R369	119-2231-15	1/10W 22k ohm	R512	032-0140-83	1/10W 150 ohm F
R258	119-1011-15	1/10W 100 ohm	R370	119-2231-15	1/10W 22k ohm	R515	032-0140-23	1/10W 68 ohm F
R259	119-1011-15	1/10W 100 ohm	R371	119-2231-15	1/10W 22k ohm	R517	119-4731-15	1/10W 47k ohm
R260	119-4731-15	1/10W 47k ohm	R372	119-2231-15	1/10W 22k ohm	R518	119-1031-15	1/10W 10k ohm
R261	119-1031-15	1/10W 10k ohm	R373	119-2231-15	1/10W 22k ohm	R519	119-4731-15	1/10W 47k ohm
R262	119-1031-15	1/10W 10k ohm	R374	119-3321-15	1/10W 3.3k ohm	R520	119-1011-15	1/10W 100 ohm
R299	116-8291-15	1/4W 8.2 ohm	R375	119-3321-15	1/10W 3.3k ohm	R521	119-4731-15	1/10W 47k ohm
R300	119-4711-15	1/10W 470 ohm	R376	119-3311-15	1/10W 330 ohm	R523	119-1011-15	1/10W 100 ohm
R301	119-4711-15	1/10W 470 ohm	R377	119-1021-15	1/10W 1k ohm	R524	119-1221-15	1/10W 1.2k ohm
R302	119-4711-15	1/10W 470 ohm	R378	119-1021-15	1/10W 1k ohm	R526	032-0140-56	1/10W 12k ohm F
R303	119-4711-15	1/10W 470 ohm	R379	119-3311-15	1/10W 330 ohm	R528	119-1031-15	1/10W 10k ohm
R304	119-4711-15	1/10W 470 ohm	R380	119-2221-15	1/10W 2.2k ohm	R529	119-0000-05	1/10W 0 ohm JW
R305	119-4711-15	1/10W 470 ohm	R381	119-1021-15	1/10W 1k ohm	R531	119-0000-05	1/10W 0 ohm JW
R306	119-4711-15	1/10W 470 ohm	R382	119-1021-15	1/10W 1k ohm	R532	032-0140-62	1/10W 1k ohm F
R307	119-4711-15	1/10W 470 ohm	R383	119-2221-15	1/10W 2.2k ohm	R533	119-0000-05	1/10W 0 ohm JW

REF No.	PART No.	DESCRIPTION	REF No.	PART No.	DESCRIPTION	REF No.	PART No.	DESCRIPTION
R581	119-1231-15	1/10W 12k ohm	R629	116-1011-15	1/4W 100 ohm	R663	116-6801-15	1/4W 68 ohm
R595	119-4731-15	1/10W 47k ohm	R630	116-1011-15	1/4W 100 ohm	R664	119-1031-15	1/10W 10k ohm
R596	119-0000-05	1/10W 0 ohm JW	R631	119-1031-15	1/10W 10k ohm	R665	119-4731-15	1/10W 47k ohm
R600	116-1221-15	1/4W 1.2k ohm	R632	119-4721-15	1/10W 4.7k ohm	R666	119-4721-15	1/10W 4.7k ohm
R601	119-1021-15	1/10W 1k ohm	R633	119-3921-15	1/10W 3.9k ohm	R667	119-1031-15	1/10W 10k ohm
R602	119-1021-15	1/10W 1k ohm	R634	119-1031-15	1/10W 10k ohm	R668	119-1031-15	1/10W 10k ohm
R603	119-1021-15	1/10W 1k ohm	R635	119-1031-15	1/10W 10k ohm	R669	119-1031-15	1/10W 10k ohm
R604	119-1021-15	1/10W 1k ohm	R638	116-1811-15	1/4W 180 ohm	R670	119-1031-15	1/10W 10k ohm
R605	119-1031-15	1/10W 10k ohm	R640	119-1031-15	1/10W 10k ohm	R671	119-4731-15	1/10W 47k ohm
R606	119-6811-15	1/10W 680 ohm	R641	119-1031-15	1/10W 10k ohm	R672	119-4731-15	1/10W 47k ohm
R607	119-6811-15	1/10W 680 ohm	R642	116-1521-15	1/4W 1.5k ohm	R673	119-1031-15	1/10W 10k ohm
R608	119-1031-15	1/10W 10k ohm	R643	119-3321-15	1/10W 3.3k ohm	R674	119-1031-15	1/10W 10k ohm
R610	032-0140-63	1/10W 27k ohm F	R644	116-3311-15	1/4W 330 ohm	R675	116-1811-15	1/4W 180 ohm
R611	032-0140-05	1/10W 82k ohm F	R645	116-1521-15	1/4W 1.5k ohm	R676	116-1811-15	1/4W 180 ohm
R612	119-2291-15	1/10W 2.2 ohm	R646	116-1811-15	1/4W 180 ohm	R677	032-0140-03	1/10W 220k ohm F
R613	119-2701-15	1/10W 27 ohm	R647	032-0140-63	1/10W 27k ohm F	R678	032-0140-88	1/10W 100k ohm F
R614	116-6811-15	1/4W 680 ohm	R648	119-1031-15	1/10W 10k ohm	R679	032-0140-56	1/10W 12k ohm F
R615	119-1031-15	1/10W 10k ohm	R649	116-2291-15	1/4W 2.2 ohm	R680	119-4731-15	1/10W 47k ohm
R616	119-0000-05	1/10W 0 ohm JW	R650	116-2291-15	1/4W 2.2 ohm	R681	119-1031-15	1/10W 10k ohm
R617	119-8221-15	1/10W 8.2k ohm	R651	116-2291-15	1/4W 2.2 ohm	R682	119-1031-15	1/10W 10k ohm
R618	116-6811-15	1/4W 680 ohm	R652	032-0140-50	1/10W 10k ohm F	R683	032-0140-80	1/10W 18k ohm F
R619	032-0140-03	1/10W 220k ohm F	R653	119-3321-15	1/10W 3.3k ohm	R684	119-1231-15	1/10W 12k ohm
R620	119-1031-15	1/10W 10k ohm	R654	119-2231-15	1/10W 22k ohm	R685	119-1031-15	1/10W 10k ohm
R621	116-3911-15	1/4W 390 ohm	R655	119-0000-05	1/10W 0 ohm JW	SUP201	060-0122-20	DSP-141N-S00B
R622	116-3911-15	1/4W 390 ohm	R656	116-2291-15	1/4W 2.2 ohm	TH100	002-0315-00	TN10-3U153JT
R623	119-1031-15	1/10W 10k ohm	R657	116-2291-15	1/4W 2.2 ohm	X100	060-8045-00	PKLCS1212E4001-R
R624	116-2211-15	1/4W 220 ohm	R658	116-2291-15	1/4W 2.2 ohm	X101	061-3522-90	32.768KHz
R625	116-1011-15	1/4W 100 ohm	R659	119-3321-15	1/10W 3.3k ohm	X102	060-1541-90	3.14MHz
R626	116-1011-15	1/4W 100 ohm	R660	119-1031-15	1/10W 10k ohm	X200	061-3537-90	41.6MHz
R627	116-1011-15	1/4W 100 ohm	R661	119-0000-05	1/10W 0 ohm JW	PWB	039-3135-00	PWB(WITHOUT COMPONENTS)
R628	116-1011-15	1/4W 100 ohm	R662	032-0140-51	1/10W 15k ohm F			

Joint PWB(B2) section

REF No.	PART No.	DESCRIPTION	REF No.	PART No.	DESCRIPTION	REF No.	PART No.	DESCRIPTION
C700	166-1501-50	15pF CH	IC3000	051-5806-01	GP1S93	R708	119-4301-15	1/10W 43 ohm
C701	166-2201-50	22pF CH	IC3001	051-5806-01	GP1S93	R709	119-2221-15	1/10W 2.2k ohm
C702	166-6801-50	68pF CH	IC3002	051-1014-08	TA7291FG-EL	R710	119-1511-15	1/10W 150 ohm
C703	166-8097-50	8pF C CH	J3000	076-3024-00	50P	R711	119-3321-15	1/10W 3.3k ohm
C704	168-1022-55	1000pF K	L701	010-2198-50	0.15uH	R712	119-6821-15	1/10W 6.8k ohm
C705	168-1042-78	16V 0.1uF	L702	010-2198-61	0.12uH	R713	119-1531-15	1/10W 15k ohm
C706	166-2201-50	22pF CH	L703	010-2198-62	0.27uH	R714	119-6821-15	1/10W 6.8k ohm
C707	168-4732-78	0.047uF K	L704	010-8037-00	0.315uH	R715	119-1531-15	1/10W 15k ohm
C708	166-4096-50	4pF CH	L705	010-8037-01	0.85uH	R716	119-1021-15	1/10W 1k ohm
C709	168-1222-55	1200pF K	L706	010-2198-84	0.68uH	R717	119-6811-15	1/10W 680 ohm
C710	166-3301-50	33pF CH	L707	010-2198-62	0.27uH	R718	119-6811-15	1/10W 680 ohm
C711	168-4732-78	0.047uF K	L708	010-2198-62	0.27uH	R719	119-1011-15	1/10W 100 ohm
C712	166-1201-50	12pF CH	L750	010-3406-29	0.018uH	R720	119-3911-15	1/10W 390 ohm
C713	168-4732-78	0.047uF K	P700	076-0324-09	9P	R721	119-1011-15	1/10W 100 ohm
C714	166-1201-50	12pF CH	P3000	076-3006-58	8P	R722	119-3911-15	1/10W 390 ohm
C715	168-3932-78	0.039uF K	P3001	076-3011-80	30P	R723	119-4701-15	1/10W 47 ohm
C716	168-1222-55	1200pF K	P3002	076-3011-80	30P	R724	119-4701-15	1/10W 47 ohm
C717	168-1022-55	1000pF K	P3003	076-0478-52	2P	R725	119-5611-15	1/10W 560 ohm
C718	168-1022-55	1000pF K	P3004	076-3018-80	30P PLUG	R726	119-4731-15	1/10W 47k ohm
C719	166-1007-50	10pF CH	P3005	074-1322-10	50P	R727	119-5611-15	1/10W 560 ohm
C720	166-1007-50	10pF CH	P3006	076-3018-80	30P PLUG	R729	119-2721-15	1/10W 2.7k ohm
C750	166-3096-50	3pF CJ	Q700	192-2223-13	2SC2223-T1B	R730	119-1011-15	1/10W 100 ohm
C3002	168-1045-56	0.1uF Z	Q701	126-0222-90	3SK222 V221,22	R750	119-3941-15	1/10W 390k ohm
C3003	168-1042-78	16V 0.1uF	Q702	192-2223-13	2SC2223-T1B	R780	119-0000-05	1/10W 0 ohm JW
C3004	168-1042-78	16V 0.1uF	Q703	192-4703-50	2SC4703 SF,SE	R3000	116-5611-15	1/4W 560 ohm
C3005	043-0604-90	25V 10uF B	Q704	192-4703-50	2SC4703 SF,SE	R3001	116-5611-15	1/4W 560 ohm
C3006	043-0604-90	25V 10uF B	Q705	193-1306-00	2SD1306	R3002	119-3321-15	1/10W 3.3k ohm
D700	001-9006-90	HVM189S	Q706	193-1306-00	2SD1306	R3010	119-1021-15	1/10W 1k ohm
D701	001-0530-90	1SS271	Q707	190-1162-00	2SA1162	R3012	119-3911-15	1/10W 390 ohm
D702	001-0516-90	MA111	Q3000	125-2026-95	UN521N	R3013	119-5611-15	1/10W 560 ohm
D3002	001-4305-20	UDZSTE-17 5.6B	R700	119-3921-15	1/10W 3.9k ohm	R3014	119-1021-15	1/10W 1k ohm
D3004	001-7038-92	CL-221HR HI-BRI RED	R701	119-5631-15	1/10W 56k ohm	R3015	119-1021-15	1/10W 1k ohm
D3006	001-0584-24	MA8082	R702	119-4731-15	1/10W 47k ohm	R3016	119-3311-15	1/10W 330 ohm
D3007	001-7043-91	CL-170UR U-RED	R703	119-3331-15	1/10W 33k ohm	S3000	013-6312-50	SKRP-ABE-010
D3008	001-7036-90	CL-201R-X RED	R704	119-4711-15	1/10W 470 ohm	S3001	013-6312-50	SKRP-ABE-010
D3009	001-7043-91	CL-170UR U-RED	R705	119-4721-15	1/10W 4.7k ohm	PWB	039-3136-00	PWB(WITHOUT COMPONENTS)
D3010	001-4305-20	UDZSTE-17 5.6B	R706	119-1511-15	1/10W 150 ohm			
			R707	119-5631-15	1/10W 56k ohm			

Navi PWB(B3) section

REF No.	PART No.	DESCRIPTION	REF No.	PART No.	DESCRIPTION	REF No.	PART No.	DESCRIPTION
ANT1101	092-2203-00	ANT-RECEPT	C169	166-1011-50	100pF CH	C245	046-1042-78	0.1uF
BAT1000	088-0060-00	CR2354/1VC	C170	046-1042-78	0.1uF	C246	166-1011-50	100pF CH
BL1001	060-8076-00	GPS RECEIVER	C171	046-1042-78	0.1uF	C247	046-1042-78	0.1uF
BL1101	880-1431E	FM TUNER	C172	046-1042-78	0.1uF	C248	166-1011-50	100pF CH
C101	046-1042-78	0.1uF	C173	046-1042-78	0.1uF	C249	166-1011-50	100pF CH
C102	043-0603-90	16V 10uF	C174	046-1042-78	0.1uF	C250	046-1042-78	0.1uF
C103	168-1052-78	1uF	C175	046-1042-78	0.1uF	C251	166-1011-50	100pF CH
C104	042-1726-90	6.3V 100uF	C176	046-1042-78	0.1uF	C252	046-1042-78	0.1uF
C105	168-1052-78	1uF	C177	046-1042-78	0.1uF	C253	046-1042-78	0.1uF
C106	042-1726-90	6.3V 100uF	C178	046-1042-78	0.1uF	C254	166-1011-50	100pF CH
C107	168-1052-78	1uF	C179	046-1042-78	0.1uF	C255	046-1042-78	0.1uF
C108	046-1042-78	0.1uF	C180	046-1042-78	0.1uF	C256	166-1011-50	100pF CH
C109	168-1052-78	1uF	C181	043-0603-90	16V 10uF	C257	166-1011-50	100pF CH
C110	046-1042-78	0.1uF	C182	168-1022-55	1000pF K	C258	046-1042-78	0.1uF
C111	046-1042-78	0.1uF	C183	046-1042-78	0.1uF	C259	166-1011-50	100pF CH
C112	046-1042-78	0.1uF	C185	166-1011-50	100pF CH	C260	046-1042-78	0.1uF
C113	046-1042-78	0.1uF	C188	168-1022-55	1000pF K	C261	046-1042-78	0.1uF
C114	046-1042-78	0.1uF	C189	166-1011-50	100pF CH	C262	166-1011-50	100pF CH
C115	046-1042-78	0.1uF	C190	166-1011-50	100pF CH	C263	046-1042-78	0.1uF
C116	166-1011-50	100pF CH	C191	046-1042-78	0.1uF	C264	166-1011-50	100pF CH
C117	046-1042-78	0.1uF	C192	046-1042-78	0.1uF	C265	046-1042-78	0.1uF
C118	046-1042-78	0.1uF	C193	166-1011-50	100pF CH	C266	046-1042-78	0.1uF
C119	166-1011-50	100pF CH	C194	046-1042-78	0.1uF	C267	046-1042-78	0.1uF
C120	042-1726-90	6.3V 100uF	C195	046-1042-78	0.1uF	C268	166-1011-50	100pF CH
C121	168-1052-78	1uF	C196	046-1042-78	0.1uF	C269	046-1042-78	0.1uF
C122	046-1042-78	0.1uF	C197	046-1042-78	0.1uF	C270	166-1011-50	100pF CH
C123	046-1042-78	0.1uF	C198	046-1042-78	0.1uF	C271	046-1042-78	0.1uF
C124	046-1042-78	0.1uF	C200	168-1052-78	1uF	C272	046-1042-78	0.1uF
C125	046-1042-78	0.1uF	C201	043-0603-90	16V 10uF	C273	046-1042-78	0.1uF
C126	046-1042-78	0.1uF	C202	043-0603-90	16V 10uF	C274	166-1011-50	100pF CH
C127	046-1042-78	0.1uF	C203	046-1042-78	0.1uF	C275	046-1042-78	0.1uF
C128	046-1042-78	0.1uF	C204	166-1011-50	100pF CH	C276	166-1011-50	100pF CH
C129	046-1042-78	0.1uF	C205	046-1042-78	0.1uF	C277	042-1726-90	6.3V 100uF
C130	046-1042-78	0.1uF	C206	166-1011-50	100pF CH	C278	046-1042-78	0.1uF
C131	046-1042-78	0.1uF	C207	046-1042-78	0.1uF	C401	043-0603-90	16V 10uF
C132	046-1042-78	0.1uF	C208	166-1011-50	100pF CH	C402	168-4745-79	0.47uF Z
C133	166-1011-50	100pF CH	C209	046-1042-78	0.1uF	C403	166-1011-50	100pF CH
C134	046-1042-78	0.1uF	C210	166-1011-50	100pF CH	C404	046-1042-78	0.1uF
C135	046-1042-78	0.1uF	C211	166-1011-50	100pF CH	C405	046-1042-78	0.1uF
C136	046-1042-78	0.1uF	C212	046-1042-78	0.1uF	C406	046-1042-78	0.1uF
C137	046-1042-78	0.1uF	C213	166-1011-50	100pF CH	C407	046-1042-78	0.1uF
C138	046-1042-78	0.1uF	C214	046-1042-78	0.1uF	C408	046-1042-78	0.1uF
C139	166-1011-50	100pF CH	C215	046-1042-78	0.1uF	C409	043-0603-90	16V 10uF
C140	046-1042-78	0.1uF	C216	166-1011-50	100pF CH	C410	046-1042-78	0.1uF
C141	046-1042-78	0.1uF	C217	046-1042-78	0.1uF	C411	168-4745-79	0.47uF Z
C142	046-1042-78	0.1uF	C218	166-1011-50	100pF CH	C412	166-1011-50	100pF CH
C143	166-1011-50	100pF CH	C219	166-1011-50	100pF CH	C413	166-1011-50	100pF CH
C144	166-1011-50	100pF CH	C220	046-1042-78	0.1uF	C414	166-1011-50	100pF CH
C145	046-1042-78	0.1uF	C221	166-1011-50	100pF CH	C415	166-1011-50	100pF CH
C146	046-1042-78	0.1uF	C222	046-1042-78	0.1uF	C416	166-1011-50	100pF CH
C147	042-1726-90	6.3V 100uF	C223	046-1042-78	0.1uF	C417	166-1011-50	100pF CH
C148	046-1042-78	0.1uF	C224	166-1011-50	100pF CH	C424	166-1011-50	100pF CH
C149	166-2201-50	22pF CH	C225	046-1042-78	0.1uF	C425	046-1042-78	0.1uF
C150	046-1042-78	0.1uF	C226	166-1011-50	100pF CH	C427	166-1011-50	100pF CH
C151	043-0603-90	16V 10uF	C227	046-1042-78	0.1uF	C429	168-1022-55	1000pF K
C152	046-1042-78	0.1uF	C228	046-1042-78	0.1uF	C440	046-1042-78	0.1uF
C153	046-1042-78	0.1uF	C229	046-1042-78	0.1uF	C450	168-1022-55	1000pF K
C154	046-1042-78	0.1uF	C230	166-1011-50	100pF CH	C452	046-1042-78	0.1uF
C155	046-1042-78	0.1uF	C231	046-1042-78	0.1uF	C454	046-1042-78	0.1uF
C156	046-1042-78	0.1uF	C232	166-1011-50	100pF CH	C455	046-1042-78	0.1uF
C157	046-1042-78	0.1uF	C233	046-1042-78	0.1uF	C502	046-1042-78	0.1uF
C158	166-1011-50	100pF CH	C234	046-1042-78	0.1uF	C503	046-1042-78	0.1uF
C159	046-1042-78	0.1uF	C235	046-1042-78	0.1uF	C504	046-1042-78	0.1uF
C160	046-1042-78	0.1uF	C236	166-1011-50	100pF CH	C505	046-1042-78	0.1uF
C161	046-1042-78	0.1uF	C237	046-1042-78	0.1uF	C506	046-1042-78	0.1uF
C162	046-1042-78	0.1uF	C238	166-1011-50	100pF CH	C507	046-1042-78	0.1uF
C163	046-1042-78	0.1uF	C239	043-0603-90	16V 10uF	C508	046-1042-78	0.1uF
C164	046-1042-78	0.1uF	C240	043-0603-90	16V 10uF	C509	046-1042-78	0.1uF
C165	046-1042-78	0.1uF	C241	046-1042-78	0.1uF	C510	046-1042-78	0.1uF
C166	046-1042-78	0.1uF	C242	166-1011-50	100pF CH	C511	046-1042-78	0.1uF
C167	046-1042-78	0.1uF	C243	046-1042-78	0.1uF	C512	046-1042-78	0.1uF
C168	046-1042-78	0.1uF	C244	166-1011-50	100pF CH	C513	046-1042-78	0.1uF

REF No.	PART No.	DESCRIPTION	REF No.	PART No.	DESCRIPTION	REF No.	PART No.	DESCRIPTION
C514	046-1042-78	0.1uF	C649	046-1042-78	0.1uF	C805	046-1042-78	0.1uF
C515	046-1042-78	0.1uF	C650	046-1042-78	0.1uF	C806	046-1042-78	0.1uF
C516	046-1042-78	0.1uF	C651	046-1042-78	0.1uF	C807	166-1201-50	12pF CH
C517	046-1042-78	0.1uF	C652	046-1042-78	0.1uF	C808	166-1201-50	12pF CH
C518	046-1042-78	0.1uF	C653	046-1042-78	0.1uF	C809	046-1042-78	0.1uF
C520	042-0416-57	10V 47uF M TAN	C654	046-1042-78	0.1uF	C810	046-1042-78	0.1uF
C521	046-1042-78	0.1uF	C655	046-1042-78	0.1uF	C811	168-1032-55	0.01uF K
C522	042-0416-57	10V 47uF M TAN	C656	046-1042-78	0.1uF	C812	168-8232-78	0.082uF K
C523	046-1042-78	0.1uF	C657	046-1042-78	0.1uF	C813	043-0603-90	16V 10uF
C525	042-0416-57	10V 47uF M TAN	C658	046-1042-78	0.1uF	C814	168-1045-56	0.1uF Z
C529	168-1022-55	1000pF K	C659	046-1042-78	0.1uF	C815	046-1042-78	0.1uF
C538	166-1011-50	100pF CH	C660	043-0603-90	16V 10uF	C816	168-1042-78	16V 0.1uF
C539	166-1011-50	100pF CH	C661	046-1042-78	0.1uF	C817	046-1042-78	0.1uF
C540	166-1011-50	100pF CH	C662	046-1042-78	0.1uF	C819	168-1042-78	16V 0.1uF
C541	166-1011-50	100pF CH	C663	046-1042-78	0.1uF	C820	168-1042-78	16V 0.1uF
C542	166-1011-50	100pF CH	C664	046-1042-78	0.1uF	C831	168-1045-56	0.1uF Z
C543	166-1011-50	100pF CH	C665	046-1042-78	0.1uF	C832	043-0603-90	16V 10uF
C544	166-1011-50	100pF CH	C666	046-1042-78	0.1uF	C833	168-1042-78	16V 0.1uF
C545	166-1011-50	100pF CH	C667	046-1042-78	0.1uF	C834	168-1042-78	16V 0.1uF
C546	166-1011-50	100pF CH	C668	046-1042-78	0.1uF	C835	166-1011-50	100pF CH
C547	166-1011-50	100pF CH	C669	046-1042-78	0.1uF	C836	166-1011-50	100pF CH
C548	166-1011-50	100pF CH	C670	046-1042-78	0.1uF	C837	166-1011-50	100pF CH
C549	166-1011-50	100pF CH	C671	046-1042-78	0.1uF	C838	168-1022-55	1000pF K
C550	166-1011-50	100pF CH	C672	046-1042-78	0.1uF	C839	166-1011-50	100pF CH
C551	166-1011-50	100pF CH	C673	046-1042-78	0.1uF	C840	166-1011-50	100pF CH
C552	166-1011-50	100pF CH	C674	046-1042-78	0.1uF	C841	166-1011-50	100pF CH
C553	166-1011-50	100pF CH	C675	046-1042-78	0.1uF	C901	046-1042-78	0.1uF
C601	046-1042-78	0.1uF	C676	046-1042-78	0.1uF	C902	046-1042-78	0.1uF
C602	166-1011-50	100pF CH	C677	046-1042-78	0.1uF	C903	046-1042-78	0.1uF
C603	166-1011-50	100pF CH	C678	046-1042-78	0.1uF	C904	046-1042-78	0.1uF
C604	046-1042-78	0.1uF	C680	046-1042-78	0.1uF	C905	043-0603-90	16V 10uF
C605	043-0603-90	16V 10uF	C681	043-0603-90	16V 10uF	C906	046-1042-78	0.1uF
C606	166-1011-50	100pF CH	C682	166-1011-50	100pF CH	C907	046-1042-78	0.1uF
C607	046-1042-78	0.1uF	C683	166-1011-50	100pF CH	C908	165-1073-35	16V 100uF
C608	043-0603-90	16V 10uF	C684	166-1011-50	100pF CH	C909	168-1045-56	0.1uF Z
C609	046-1042-78	0.1uF	C685	166-1011-50	100pF CH	C950	168-1022-55	1000pF K
C610	042-1726-90	6.3V 100uF	C686	166-1011-50	100pF CH	C990	168-1022-55	1000pF K
C611	046-1042-78	0.1uF	C687	166-1011-50	100pF CH	C991	166-1011-50	100pF CH
C612	046-1042-78	0.1uF	C688	166-1011-50	100pF CH	C1001	166-1011-50	100pF CH
C613	046-1042-78	0.1uF	C689	166-1011-50	100pF CH	C1002	168-1045-56	0.1uF Z
C614	046-1042-78	0.1uF	C690	166-1011-50	100pF CH	C1003	166-1011-50	100pF CH
C615	046-1042-78	0.1uF	C691	166-1011-50	100pF CH	C1004	168-1045-56	0.1uF Z
C616	046-1042-78	0.1uF	C692	166-1011-50	100pF CH	C1005	043-0603-90	16V 10uF
C617	046-1042-78	0.1uF	C693	166-1011-50	100pF CH	C1006	166-1011-50	100pF CH
C618	046-1042-78	0.1uF	C694	166-1011-50	100pF CH	C1007	168-1045-56	0.1uF Z
C619	046-1042-78	0.1uF	C695	166-1011-50	100pF CH	C1008	165-1063-35	16V 10uF
C620	046-1042-78	0.1uF	C696	166-1011-50	100pF CH	C1009	168-1045-56	0.1uF Z
C621	046-1042-78	0.1uF	C697	166-1011-50	100pF CH	C1010	168-4745-79	0.47uF Z
C622	046-1042-78	0.1uF	C698	166-1011-50	100pF CH	C1011	168-1045-56	0.1uF Z
C623	042-1726-90	6.3V 100uF	C699	166-1011-50	100pF CH	C1012	043-0603-90	16V 10uF
C624	046-1042-78	0.1uF	C702	168-4745-79	0.47uF Z	C1013	168-1045-56	0.1uF Z
C625	046-1042-78	0.1uF	C703	043-0603-90	16V 10uF	C1014	168-1032-55	0.01uF K
C626	046-1042-78	0.1uF	C706	046-1042-78	0.1uF	C1015	168-1032-55	0.01uF K
C627	046-1042-78	0.1uF	C709	046-1042-78	0.1uF	C1016	168-1032-55	0.01uF K
C628	046-1042-78	0.1uF	C710	046-1042-78	0.1uF	C1017	168-1032-55	0.01uF K
C629	046-1042-78	0.1uF	C711	046-1042-78	0.1uF	C1022	046-1042-78	0.1uF
C630	046-1042-78	0.1uF	C713	046-1042-78	0.1uF	C1023	168-1045-56	0.1uF Z
C631	046-1042-78	0.1uF	C715	168-1045-56	0.1uF Z	C1024	166-2211-50	220pF CH
C632	046-1042-78	0.1uF	C718	168-1032-55	0.01uF K	C1025	166-2211-50	220pF CH
C633	046-1042-78	0.1uF	C719	165-1063-35	16V 10uF	C1026	166-2211-50	220pF CH
C634	046-1042-78	0.1uF	C720	168-1022-55	1000pF K	C1044	168-1045-56	0.1uF Z
C635	046-1042-78	0.1uF	C730	168-4745-79	0.47uF Z	C1101	166-1801-50	18pF CH
C636	046-1042-78	0.1uF	C731	046-1042-78	0.1uF	C1102	168-1045-56	0.1uF Z
C637	046-1042-78	0.1uF	C732	166-1011-50	100pF CH	C1103	166-1011-50	100pF CH
C638	046-1042-78	0.1uF	C733	046-1042-78	0.1uF	C1104	168-1032-55	0.01uF K
C639	046-1042-78	0.1uF	C734	046-1042-78	0.1uF	C1106	168-1045-56	0.1uF Z
C640	046-1042-78	0.1uF	C735	168-4745-79	0.47uF Z	C1107	166-1011-50	100pF CH
C641	046-1042-78	0.1uF	C736	168-4745-79	0.47uF Z	C1108	168-1045-56	0.1uF Z
C642	046-1042-78	0.1uF	C737	046-1042-78	0.1uF	C1109	168-1045-56	0.1uF Z
C643	046-1042-78	0.1uF	C739	043-0603-90	16V 10uF	C1110	166-1011-50	100pF CH
C645	046-1042-78	0.1uF	C801	043-0603-90	16V 10uF	C1111	168-1022-55	1000pF K
C646	046-1042-78	0.1uF	C802	043-0603-90	16V 10uF	C1112	165-1073-35	16V 100uF
C647	046-1042-78	0.1uF	C803	046-1042-78	0.1uF	C1113	043-0603-90	16V 10uF
C648	046-1042-78	0.1uF	C804	046-1042-78	0.1uF	C1117	168-1045-56	0.1uF Z

REF No.	PART No.	DESCRIPTION	REF No.	PART No.	DESCRIPTION	REF No.	PART No.	DESCRIPTION
C1118	168-1045-56	0.1uF Z	C1317	043-0604-90	25V 10uF B	C1491	168-1045-56	0.1uF Z
C1119	165-1063-35	16V 10uF	C1318	042-0423-97	16V 10uF	C1492	168-1045-56	0.1uF Z
C1120	166-6811-50	680pF	C1319	043-0604-90	25V 10uF B	C1495	168-1045-56	0.1uF Z
C1121	168-1045-56	0.1uF Z	C1320	043-0604-90	25V 10uF B	C1496	043-0603-90	16V 10uF
C1122	166-8211-50	820pF	C1321	043-0604-90	25V 10uF B	C1498	043-0603-90	16V 10uF
C1123	168-1032-55	0.01uF K	C1322	168-1022-55	1000pF K	C1499	168-1045-56	0.1uF Z
C1124	043-0603-90	16V 10uF	C1323	043-0604-90	25V 10uF B	C1501	168-1032-55	0.01uF K
C1125	168-2232-55	0.022uF K	C1324	042-1750-90	16V 100uF M	C1502	168-1045-56	0.1uF Z
C1126	168-1032-55	0.01uF K	C1325	168-1032-55	0.01uF K	C1503	168-1045-56	0.1uF Z
C1127	043-0603-90	16V 10uF	C1326	168-1045-56	0.1uF Z	C1504	166-1011-50	100pF CH
C1128	043-0603-90	16V 10uF	C1327	043-0574-90	25V 1.0uF	C1505	168-3332-78	0.033uF K
C1129	043-0603-90	16V 10uF	C1328	043-0568-90	25V 2.2uF	C1506	168-1022-55	1000pF K
C1130	166-4701-50	47pF CH	C1331	168-1022-55	1000pF K	C1507	168-1045-56	0.1uF Z
C1131	166-4701-50	47pF CH	C1332	166-1211-50	120pF CH	C1509	166-1011-50	100pF CH
C1132	166-4701-50	47pF CH	C1333	165-1073-35	16V 100uF	C1511	168-1032-55	0.01uF K
C1133	166-5601-50	56pF CH	C1334	168-1045-56	0.1uF Z	C1512	168-1032-55	0.01uF K
C1136	168-1045-56	0.1uF Z	C1335	166-3321-50	3300pFJ CH	C1513	168-1045-56	0.1uF Z
C1137	166-5611-50	560pF CH	C1336	168-3322-55	3300pF K	C1514	168-1022-55	1000pF K
C1138	168-1045-56	0.1uF Z	C1337	166-6811-50	680pF	C1515	168-1022-55	1000pF K
C1139	166-3311-50	330pF CH	C1338	168-1032-55	0.01uF K	C1516	168-1032-55	0.01uF K
C1140	043-0605-90	10V 2.2uF	C1339	166-6801-50	68pF CH	C1517	168-1045-56	0.1uF Z
C1141	166-1011-50	100pF CH	C1340	168-1045-56	0.1uF Z	C1518	046-1042-78	0.1uF
C1142	043-0603-90	16V 10uF	C1341	168-1045-56	0.1uF Z	C1519	168-2232-55	0.022uF K
C1147	043-0603-90	16V 10uF	C1342	168-1032-55	0.01uF K	C1520	165-4763-15	6.3V 47uF
C1201	043-0548-50	2.2uF	C1343	166-6811-50	680pF	C1521	168-1045-56	0.1uF Z
C1202	168-1045-56	0.1uF Z	C1344	168-3922-55	3900pF K	C1522	168-1045-56	0.1uF Z
C1203	043-0603-90	16V 10uF	C1345	166-5601-50	56pF CH	C1523	168-1045-56	0.1uF Z
C1204	168-1045-56	0.1uF Z	C1346	166-2221-50	2200pF CH	C1525	168-1022-55	1000pF K
C1205	168-1045-56	0.1uF Z	C1347	166-1221-50	1200pF CH	C1526	165-4763-15	6.3V 47uF
C1206	168-1045-56	0.1uF Z	C1348	042-1726-90	6.3V 100uF	C1527	165-4763-15	6.3V 47uF
C1207	043-0603-90	16V 10uF	C1349	043-0568-90	25V 2.2uF	CCT101	050-0140-66	1/32W 47 ohm x4J
C1208	043-0603-90	16V 10uF	C1350	168-1045-56	0.1uF Z	CCT102	050-0140-69	1/32W 56 ohm x4J
C1209	168-1045-56	0.1uF Z	C1351	168-1045-56	0.1uF Z	CCT103	050-0140-69	1/32W 56 ohm x4J
C1210	043-0603-90	16V 10uF	C1352	168-1045-56	0.1uF Z	CCT104	050-0140-69	1/32W 56 ohm x4J
C1211	043-0603-90	16V 10uF	C1353	168-1045-56	0.1uF Z	CCT105	050-0140-69	1/32W 56 ohm x4J
C1212	168-1045-56	0.1uF Z	C1355	168-1052-78	1uF	CCT106	050-0140-69	1/32W 56 ohm x4J
C1213	168-4745-79	0.47uF Z	C1356	168-1045-56	0.1uF Z	CCT107	050-0140-69	1/32W 56 ohm x4J
C1214	043-0603-90	16V 10uF	C1357	168-1045-56	0.1uF Z	CCT108	050-0140-69	1/32W 56 ohm x4J
C1215	043-0548-50	2.2uF	C1358	168-1045-56	0.1uF Z	CCT109	050-0140-69	1/32W 56 ohm x4J
C1216	165-1063-35	16V 10uF	C1359	042-0423-97	16V 10uF	CCT110	050-0140-69	1/32W 56 ohm x4J
C1217	168-1045-56	0.1uF Z	C1360	168-1045-56	0.1uF Z	CCT111	050-0140-69	1/32W 56 ohm x4J
C1218	166-2721-50	2700pFJ CH	C1361	042-1726-90	6.3V 100uF	CCT115	050-0140-57	1/32W 10k ohm x4J
C1219	168-1045-56	0.1uF Z	C1362	043-0603-90	16V 10uF	CCT117	050-0140-57	1/32W 10k ohm x4J
C1220	166-2221-50	2200pF CH	C1363	042-1726-90	6.3V 100uF	CCT118	050-0140-57	1/32W 10k ohm x4J
C1221	168-1032-55	0.01uF K	C1364	168-1045-56	0.1uF Z	CCT119	050-0140-57	1/32W 10k ohm x4J
C1222	166-2211-50	220pF CH	C1366	042-1726-90	6.3V 100uF	CCT120	050-0140-57	1/32W 10k ohm x4J
C1223	043-0603-90	16V 10uF	C1368	043-0574-90	25V 1.0uF	CCT121	050-0140-56	1/32W 4.7k ohm x4J
C1224	168-6822-55	6800pF K	C1369	043-0574-90	25V 1.0uF	CCT125	050-0140-51	1/32W 22 ohm x4J
C1225	166-1211-50	120pF CH	C1370	168-1045-56	0.1uF Z	CCT126	050-0140-51	1/32W 22 ohm x4J
C1226	043-0548-50	2.2uF	C1372	043-0603-90	16V 10uF	CCT127	050-0140-52	1/32W 100 ohm x4J
C1227	168-1042-78	16V 0.1uF	C1373	043-0603-90	16V 10uF	CCT128	050-0140-57	1/32W 10k ohm x4J
C1229	168-1042-78	16V 0.1uF	C1374	043-0605-90	10V 2.2uF	CCT129	050-0140-57	1/32W 10k ohm x4J
C1230	165-1063-35	16V 10uF	C1375	043-0605-90	10V 2.2uF	CCT130	050-0140-52	1/32W 100 ohm x4J
C1231	165-1063-35	16V 10uF	C1402	168-1045-56	0.1uF Z	CCT131	050-0140-57	1/32W 10k ohm x4J
C1232	168-1032-55	0.01uF K	C1407	043-0604-90	25V 10uF B	CCT132	050-0140-52	1/32W 100 ohm x4J
C1233	043-0548-50	2.2uF	C1410	166-4711-50	470pF CH	CCT133	050-0140-52	1/32W 100 ohm x4J
C1234	166-1011-50	100pF CH	C1411	166-4711-50	470pF CH	CCT134	050-0140-57	1/32W 10k ohm x4J
C1236	165-1063-35	16V 10uF	C1413	168-1045-56	0.1uF Z	CCT135	050-0140-57	1/32W 10k ohm x4J
C1237	043-0603-90	16V 10uF	C1414	046-1042-78	0.1uF	CCT136	050-0140-57	1/32W 10k ohm x4J
C1238	168-1032-55	0.01uF K	C1415	046-1042-78	0.1uF	CCT137	050-0140-59	1/32W 33 ohm x4J
C1301	165-1063-35	16V 10uF	C1416	043-0603-90	16V 10uF	CCT138	050-0140-57	1/32W 10k ohm x4J
C1302	168-1022-55	1000pF K	C1417	043-0603-90	16V 10uF	CCT139	050-0140-66	1/32W 47 ohm x4J
C1304	168-1045-56	0.1uF Z	C1424	043-0603-90	16V 10uF	CCT140	050-0140-52	1/32W 100 ohm x4J
C1305	165-1063-35	16V 10uF	C1425	043-0603-90	16V 10uF	CCT141	050-0140-57	1/32W 10k ohm x4J
C1306	189-4783-31	16V 4700uF	C1426	168-1045-56	0.1uF Z	CCT300	050-0140-66	1/32W 47 ohm x4J
C1307	042-0423-97	16V 10uF	C1431	043-0603-90	16V 10uF	CCT301	050-0140-66	1/32W 47 ohm x4J
C1308	168-1045-56	0.1uF Z	C1433	168-1045-56	0.1uF Z	CCT302	050-0140-66	1/32W 47 ohm x4J
C1310	168-1045-56	0.1uF Z	C1434	168-1045-56	0.1uF Z	CCT303	050-0140-66	1/32W 47 ohm x4J
C1311	166-1211-50	120pF CH	C1437	168-1045-56	0.1uF Z	CCT304	050-0140-66	1/32W 47 ohm x4J
C1312	165-1073-35	16V 100uF	C1443	168-1045-56	0.1uF Z	CCT305	050-0140-66	1/32W 47 ohm x4J
C1313	043-0605-90	10V 2.2uF	C1448	189-2283-32	16V 2200uF	CCT306	050-0140-66	1/32W 47 ohm x4J
C1314	168-1045-56	0.1uF Z	C1450	168-1045-56	0.1uF Z	CCT307	050-0140-66	1/32W 47 ohm x4J
C1315	043-0604-90	25V 10uF B	C1487	166-1011-50	100pF CH	CCT308	050-0140-66	1/32W 47 ohm x4J
C1316	043-0605-90	10V 2.2uF	C1488	166-1011-50	100pF CH	CCT309	050-0140-66	1/32W 47 ohm x4J

REF No.	PART No.	DESCRIPTION	REF No.	PART No.	DESCRIPTION	REF No.	PART No.	DESCRIPTION
CCT310	050-0140-66	1/32W 47 ohm x4J	D1005	001-0584-20	MA8056	IC603	051-7536-90	SN74CBTLV16211 GR
CCT311	050-0140-66	1/32W 47 ohm x4J	D1006	001-4910-91	DF5A5.6F	IC604	051-7203-48	SN74LV74APW
CCT312	050-0140-66	1/32W 47 ohm x4J	D1011	001-0584-20	MA8056	IC606	-----	D610A003BPYP225
CCT313	050-0140-66	1/32W 47 ohm x4J	D1103	001-2412-90	RR264M-400	IC610	051-7529-90	SN74LVC541APW
CCT314	050-0140-66	1/32W 47 ohm x4J	D1104	001-0529-16	MA8033-L	IC611	051-9330-00	K4S641632F-TC60
CCT315	050-0140-66	1/32W 47 ohm x4J	D1105	001-0580-90	1SS352	IC612	051-7244-08	TC7WH125FU-TE12L
CCT332	050-0140-51	1/32W 22 ohm x4J	D1106	001-0580-90	1SS352	IC613	051-7503-58	SN74LVC16245 ADGGR
CCT333	050-0140-51	1/32W 22 ohm x4J	D1111	001-0584-20	MA8056	IC614	051-7221-48	TC7SZ04FU
CCT334	050-0140-51	1/32W 22 ohm x4J	D1112	001-0584-20	MA8056	IC615	051-7524-38	TC7SZ08FU-TE85L
CCT335	050-0140-51	1/32W 22 ohm x4J	D1113	001-0584-20	MA8056	IC616	051-7202-28	TC7SH32FU TE85L
CCT336	050-0140-51	1/32W 22 ohm x4J	D1201	001-0529-27	MA8047H	IC620	051-7524-38	TC7SZ08FU-TE85L
CCT401	050-0140-51	1/32W 22 ohm x4J	D1202	001-0529-27	MA8047H	IC710	051-6651-00	R5C807
CCT402	050-0140-51	1/32W 22 ohm x4J	D1301	001-2629-90	D1FM3-5063	IC801	051-6457-00	ADV7180BSTZ
CCT403	050-0140-51	1/32W 22 ohm x4J	D1302	001-0580-90	1SS352	IC901	051-7243-18	TC7SET08FU-TE85L,F
CCT404	050-0140-51	1/32W 22 ohm x4J	D1303	001-2403-90	M1F60	IC902	051-7539-80	TC7WZ34FU-TE12L
CCT405	050-0140-69	1/32W 56 ohm x4J	D1304	001-2630-90	1SS420-TPL3,F	IC903	051-7503-78	SN74LVCHR16245 AGR
CCT406	050-0140-69	1/32W 56 ohm x4J	D1305	001-2630-90	1SS420-TPL3,F	IC1001	051-6923-58	ADC121S021CIMFX
CCT407	050-0140-69	1/32W 56 ohm x4J	D1306	001-2630-90	1SS420-TPL3,F	IC1002	051-7524-38	TC7SZ08FU-TE85L
CCT408	050-0140-69	1/32W 56 ohm x4J	D1307	001-2629-90	D1FM3-5063	IC1003	948-0683-11	EWTS86KA11
CCT501	050-0140-71	1/32W 82 ohm x4J	D1308	001-2630-90	1SS420-TPL3,F	IC1004	051-7539-80	TC7WZ34FU-TE12L
CCT601	050-0140-69	1/32W 56 ohm x4J	D1309	001-2630-90	1SS420-TPL3,F	IC1005	051-7529-80	TC74LCX541FT-EL
CCT602	050-0140-69	1/32W 56 ohm x4J	D1310	001-2629-90	D1FM3-5063	IC1008	051-7539-80	TC7WZ34FU-TE12L
CCT603	050-0140-69	1/32W 56 ohm x4J	D1311	001-2629-90	D1FM3-5063	IC1101	051-3054-90	HA17558ATEL
CCT604	050-0140-69	1/32W 56 ohm x4J	D1405	001-0367-91	1SS226	IC1102	051-7538-80	TC7WG17FU-TE12L
CCT605	050-0140-52	1/32W 100 ohm x4J	D1406	001-0367-91	1SS226	IC1103	051-3026-90	NJM4580V
CCT606	050-0140-52	1/32W 100 ohm x4J	D1407	001-0584-20	MA8056	IC1104	051-4607-90	AA6581T
CCT607	050-0140-52	1/32W 100 ohm x4J	D1501	001-0580-90	1SS352	IC1202	051-6718-90	AK5357VT-E2
CCT608	050-0140-52	1/32W 100 ohm x4J	D1505	001-2630-90	1SS420-TPL3,F	IC1203	051-3053-90	NJM2058V
CCT609	050-0140-52	1/32W 100 ohm x4J	FIL1001	060-3115-52	CKD310JB1C474ST	IC1204	051-3054-90	HA17558ATEL
CCT610	050-0140-52	1/32W 100 ohm x4J	FIL1101	060-3114-52	LFA20-2A1	IC1205	051-6736-90	WM8728EDS/R
CCT611	050-0140-63	1/32W 47k ohm x4J	FIL1403	060-3114-52	LFA20-2A1	IC1301	051-3304-90	LP2954IMX
CCT612	050-0140-63	1/32W 47k ohm x4J	FIL1404	060-3114-52	LFA20-2A1	IC1302	051-3337-90	BA09CCOWFP
CCT613	050-0140-63	1/32W 47k ohm x4J	FIL1405	060-3114-52	LFA20-2A1	IC1303	051-3298-90	TDA3664/N1
CCT614	050-0140-63	1/32W 47k ohm x4J	FIL1407	060-3114-52	LFA20-2A1	IC1304	051-3377-90	LM3485MM
CCT615	050-0140-69	1/32W 56 ohm x4J	FIL1408	060-3114-52	LFA20-2A1	IC1305	051-3260-00	BA05ST
CCT616	050-0140-69	1/32W 56 ohm x4J	FIL1409	060-3114-52	LFA20-2A1	IC1306	051-3380-90	TPS5120DBTRG4
CCT617	050-0140-69	1/32W 56 ohm x4J	FIL1410	060-3117-51	CKD510JB1E223ST	IC1307	051-3340-00	LD1085P
CCT618	050-0140-69	1/32W 56 ohm x4J	FIL1411	060-3117-51	CKD510JB1E223ST	IC1309	051-3500-90	R1173S001D-E2-F
CCT619	050-0140-69	1/32W 56 ohm x4J	IC101	051-7524-38	TC7SZ08FU-TE85L	IC1402	051-3026-90	NJM4580V
CCT620	050-0140-69	1/32W 56 ohm x4J	IC102	051-7522-08	SN74LVC1G32 DCKR	IC1407	051-3407-90	TA75S393F
CCT621	050-0140-69	1/32W 56 ohm x4J	IC103	-----	R8A77700BDA01 BGV	IC1410	051-7537-80	TC7SZ14FU-TH85L
CCT622	050-0140-52	1/32W 100 ohm x4J	IC104	051-7534-90	SN74LVC1G97 DCKR	IC1411	051-7272-08	TC7SZ125F
CCT623	050-0140-59	1/32W 33 ohm x4J	IC105	051-7539-80	TC7WZ34FU-TE12L	IC1412	051-6736-90	WM8728EDS/R
CCT624	050-0140-59	1/32W 33 ohm x4J	IC106	051-7272-08	TC7SZ125F	IC1501	051-5408-38	R3112N211A-TR
CCT625	050-0140-59	1/32W 33 ohm x4J	IC107	051-7526-08	SN74LVC1G126 DCKR	IC1502	052-7086-10	M30615FGAGP
CCT626	050-0140-59	1/32W 33 ohm x4J	IC0108	051-7505-58	TC74VHC08FT-EL	IC1504	051-7505-58	TC74VHC08FT-EL
CCT627	050-0140-59	1/32W 33 ohm x4J	IC109	051-7540-80	TC7WZ32FU-TE12L	IC1505	051-7202-28	TC7SH32FU TE85L
CCT630	050-0140-69	1/32W 56 ohm x4J	IC110	051-7537-80	TC7SZ14FU-TH85L	IC1506	051-5436-38	BD5233G-TR
CCT631	050-0140-69	1/32W 56 ohm x4J	IC200	051-9333-30	MT46V16M16P-6T -IT	IC1508	051-7243-18	TC7SET08FU-TE85L,F
CCT632	050-0140-69	1/32W 56 ohm x4J	IC201	051-9333-30	MT46V16M16P-6T -IT	IC1509	051-7293-90	TC7SET125FU-TE85L
CCT633	050-0140-69	1/32W 56 ohm x4J	IC202	051-9333-30	MT46V16M16P-6T -IT	IC1510	051-7272-08	TC7SZ125F
CCT701	050-0140-63	1/32W 47k ohm x4J	IC203	051-9333-30	MT46V16M16P-6T -IT	J601	074-2201-83	33P
CCT702	050-0140-70	1/32W 10 ohm x4J	IC401	052-3583-00	S29JL032H70TFI320 (Refer to page 1)	J701	074-8005-00	OUTLET SOCKET
CCT703	050-0140-70	1/32W 10 ohm x4J	IC403	051-7503-18	TC74VCXH16245FT-EL	J1101	074-4033-17	OUTLET SOCKET
CCT704	050-0140-59	1/32W 33 ohm x4J	IC404	051-7221-48	TC7SZ04FU	J1201	075-0339-00	MINI JACK
CCT705	050-0140-69	1/32W 56 ohm x4J	IC405	051-7534-90	SN74LVC1G97 DCKR	J1402	074-3014-80	30P
CCT706	050-0140-69	1/32W 56 ohm x4J	IC406	051-9120-50	LP62S16128BV-70LLIF	J1403	074-3018-80	SOCKET 30P
CCT707	050-0140-69	1/32W 56 ohm x4J	IC407	051-7539-80	TC7WZ34FU-TE12L	J1410	074-1320-05	5P
CCT708	050-0140-69	1/32W 56 ohm x4J	IC408	051-7505-18	SN74ALVC08PWR	L101	010-3105-58	120 ohm/100MHz
CCT709	050-0140-70	1/32W 10 ohm x4J	IC501	051-6834-00	XC3S50-4VQG100I-0985	L102	010-3104-53	220 ohm/100MHz
CCT710	050-0140-70	1/32W 10 ohm x4J				L103	010-3104-53	220 ohm/100MHz
CCT801	050-0140-69	1/32W 56 ohm x4J				L104	010-3104-53	220 ohm/100MHz
CCT802	050-0140-69	1/32W 56 ohm x4J				L105	010-3104-54	600 ohm/100MHz
CCT1001	050-0140-51	1/32W 22 ohm x4J				L106	010-3104-54	600 ohm/100MHz
CCT1002	050-0140-51	1/32W 22 ohm x4J				L107	010-3104-54	600 ohm/100MHz
CCT1003	050-0140-57	1/32W 10k ohm x4J				L108	010-3105-58	120 ohm/100MHz
CCT1201	050-0140-59	1/32W 33 ohm x4J						
CCT1202	050-0140-59	1/32W 33 ohm x4J						
CCT1501	050-0140-54	1/32W 1k ohm x4J						
CCT1502	050-0140-63	1/32W 47k ohm x4J						
D601	001-2623-90	RB400VA-50TR						
D602	001-0580-90	1SS352						
D702	001-2630-90	1SS420-TPL3,F						
D703	001-2630-90	1SS420-TPL3,F						

REF No.	PART No.	DESCRIPTION	REF No.	PART No.	DESCRIPTION	REF No.	PART No.	DESCRIPTION
L200	010-3104-53	220 ohm/100MHz	L1425	010-3103-50	1500 ohm/100MHz	R154	119-1001-15	1/10W 10 ohm
L401	010-3104-54	600 ohm/100MHz	L1427	010-3103-50	1500 ohm/100MHz	R156	119-1031-15	1/10W 10k ohm
L402	010-3104-54	600 ohm/100MHz	L1428	010-3103-50	1500 ohm/100MHz	R157	119-3301-15	1/10W 33 ohm
L509	010-3104-53	220 ohm/100MHz	L1438	010-3103-50	1500 ohm/100MHz	R158	119-3301-15	1/10W 33 ohm
L510	010-3104-53	220 ohm/100MHz	L1439	010-3104-53	220 ohm/100MHz	R159	119-3301-15	1/10W 33 ohm
L511	010-3104-53	220 ohm/100MHz	L1496	010-3104-54	600 ohm/100MHz	R160	119-4731-15	1/10W 47k ohm
L601	010-3104-53	220 ohm/100MHz	L1497	010-3104-53	220 ohm/100MHz	R161	119-1011-15	1/10W 100 ohm
L602	010-3104-53	220 ohm/100MHz	L1498	010-3104-53	220 ohm/100MHz	R162	119-1001-15	1/10W 10 ohm
L603	010-3105-62	1k ohm/100MHz	L1501	010-3105-62	1k ohm/100MHz	R163	119-1001-15	1/10W 10 ohm
L604	010-3104-53	220 ohm/100MHz	L1502	010-3104-53	220 ohm/100MHz	R173	119-1211-15	1/10W 120 ohm
L605	010-3104-53	220 ohm/100MHz	L1503	010-3104-53	220 ohm/100MHz	R176	119-1031-15	1/10W 10k ohm
L701	010-3104-53	220 ohm/100MHz	L1504	010-3104-53	220 ohm/100MHz	R177	119-1011-15	1/10W 100 ohm
L801	010-3104-53	220 ohm/100MHz	L1505	010-3104-53	220 ohm/100MHz	R178	119-1031-15	1/10W 10k ohm
L802	010-3104-53	220 ohm/100MHz	P901	074-1323-00	50P	R179	119-2221-15	1/10W 2.2k ohm
L803	010-3104-53	220 ohm/100MHz	P1001	076-0714-10	10P	R180	119-1031-15	1/10W 10k ohm
L805	010-3104-53	220 ohm/100MHz	P1401	076-0478-52	2P	R181	119-1011-15	1/10W 100 ohm
L901	010-3104-53	220 ohm/100MHz	P1402	076-6001-52	PLUG(2P)	R182	032-0140-51	1/10W 15k ohm F
L902	010-3104-53	220 ohm/100MHz	Q601	192-4081-00	2SC4081	R183	119-1011-15	1/10W 100 ohm
L1001	010-3104-54	600 ohm/100MHz	Q602	131-1188-50	2SB1188PQR	R184	119-1001-15	1/10W 10 ohm
L1002	010-3104-54	600 ohm/100MHz	Q701	131-1188-50	2SB1188PQR	R185	119-1031-15	1/10W 10k ohm
L1003	010-3104-54	600 ohm/100MHz	Q705	192-4081-00	2SC4081	R186	119-1031-15	1/10W 10k ohm
L1004	010-3104-54	600 ohm/100MHz	Q1104	125-2027-91	DTC114EUA	R187	119-3301-15	1/10W 33 ohm
L1005	010-3104-54	600 ohm/100MHz	Q1201	125-0021-91	DTA114EUA	R188	119-1031-15	1/10W 10k ohm
L1006	010-3104-54	600 ohm/100MHz	Q1203	192-3326-00	2SC3326	R189	119-1031-15	1/10W 10k ohm
L1007	010-3104-54	600 ohm/100MHz	Q1210	192-4081-00	2SC4081	R190	119-2221-15	1/10W 2.2k ohm
L1008	010-3105-62	1k ohm/100MHz	Q1301	190-2096-00	2SA2096	R191	119-3301-15	1/10W 33 ohm
L1009	010-3105-62	1k ohm/100MHz	Q1302	193-1306-00	2SD1306	R192	119-1011-15	1/10W 100 ohm
L1010	010-3105-58	120 ohm/100MHz	Q1303	190-1736-00	2SA1736	R193	119-1011-15	1/10W 100 ohm
L1011	010-3105-58	120 ohm/100MHz	Q1304	192-4081-00	2SC4081	R194	119-1031-15	1/10W 10k ohm
L1012	010-3105-58	120 ohm/100MHz	Q1305	125-7006-90	RSS075P03 TB	R196	119-1001-15	1/10W 10 ohm
L1013	010-3105-58	120 ohm/100MHz	Q1306	125-8017-90	SP8K4-TB	R197	119-1001-15	1/10W 10 ohm
L1101	010-3105-62	1k ohm/100MHz	Q1307	125-8017-90	SP8K4-TB	R198	032-0140-51	1/10W 15k ohm F
L1102	010-3105-62	1k ohm/100MHz	Q1308	131-1188-50	2SB1188PQR	R199	119-1031-15	1/10W 10k ohm
L1103	010-3105-62	1k ohm/100MHz	Q1309	192-4081-00	2SC4081	R300	119-3301-15	1/10W 33 ohm
L1104	010-3105-62	1k ohm/100MHz	Q1310	131-1188-50	2SB1188PQR	R301	119-3301-15	1/10W 33 ohm
L1105	010-3105-62	1k ohm/100MHz	Q1311	192-4081-00	2SC4081	R302	119-1511-15	1/10W 150 ohm
L1106	010-3105-62	1k ohm/100MHz	Q1401	125-0021-97	DTA113ZU	R303	119-2201-15	1/10W 22 ohm
L1107	010-3105-62	1k ohm/100MHz	Q1402	192-4081-00	2SC4081	R305	119-4701-15	1/10W 47 ohm
L1108	010-3105-62	1k ohm/100MHz	Q1403	060-4022-90	CPT-203S-C-TU	R306	119-4701-15	1/10W 47 ohm
L1109	010-3105-62	1k ohm/100MHz	Q1406	125-2027-91	DTC114EUA	R307	119-4701-15	1/10W 47 ohm
L1110	010-3105-62	1k ohm/100MHz	Q1407	190-1576-00	2SA1576A	R308	119-4701-15	1/10W 47 ohm
L1111	010-3104-54	600 ohm/100MHz	Q1408	125-2027-91	DTC114EUA	R309	119-4701-15	1/10W 47 ohm
L1112	010-3104-54	600 ohm/100MHz	Q1413	125-2027-91	DTC114EUA	R310	119-4701-15	1/10W 47 ohm
L1113	010-3104-54	600 ohm/100MHz	Q1414	125-2038-92	RN1902	R311	119-4701-15	1/10W 47 ohm
L1202	010-3104-53	220 ohm/100MHz	Q1501	190-1576-00	2SA1576A	R312	119-4701-15	1/10W 47 ohm
L1203	010-3104-53	220 ohm/100MHz	Q1507	125-2027-91	DTC114EUA	R313	119-4701-15	1/10W 47 ohm
L1205	010-3104-53	220 ohm/100MHz	Q1510	125-2038-92	RN1902	R314	119-4701-15	1/10W 47 ohm
L1206	010-3104-53	220 ohm/100MHz	Q1511	125-2038-92	RN1902	R315	119-4701-15	1/10W 47 ohm
L1301	010-3104-53	220 ohm/100MHz	R101	119-1031-15	1/10W 10k ohm	R316	119-4701-15	1/10W 47 ohm
L1302	010-3104-54	600 ohm/100MHz	R102	119-0000-05	1/10W 0 ohm JW	R317	119-4701-15	1/10W 47 ohm
L1303	010-3104-54	600 ohm/100MHz	R103	119-0000-05	1/10W 0 ohm JW	R318	119-4701-15	1/10W 47 ohm
L1304	010-3500-92	10uH	R105	119-3301-15	1/10W 33 ohm	R319	119-4701-15	1/10W 47 ohm
L1305	010-3500-92	10uH	R110	119-1031-15	1/10W 10k ohm	R320	119-4701-15	1/10W 47 ohm
L1306	010-3104-54	600 ohm/100MHz	R111	119-3301-15	1/10W 33 ohm	R401	119-3301-15	1/10W 33 ohm
L1307	010-3500-92	10uH	R112	119-1021-15	1/10W 1k ohm	R405	119-0000-05	1/10W 0 ohm JW
L1308	010-3500-92	10uH	R113	119-4701-15	1/10W 47 ohm	R406	119-3301-15	1/10W 33 ohm
L1309	010-3500-92	10uH	R114	119-3301-15	1/10W 33 ohm	R407	119-3301-15	1/10W 33 ohm
L1401	010-3104-53	220 ohm/100MHz	R115	119-1031-15	1/10W 10k ohm	R408	119-8201-15	1/10W 82 ohm
L1408	010-3500-92	10uH	R116	119-1031-15	1/10W 10k ohm	R409	119-0000-05	1/10W 0 ohm JW
L1409	010-3105-62	1k ohm/100MHz	R124	032-0140-79	1/10W 2.7k ohm F	R410	119-0000-05	1/10W 0 ohm JW
L1410	010-3103-50	1500 ohm/100MHz	R126	032-0140-24	1/10W 82 ohm F	R411	119-1001-15	1/10W 10 ohm
L1411	010-3103-50	1500 ohm/100MHz	R127	119-5601-15	1/10W 56 ohm	R413	119-1001-15	1/10W 10 ohm
L1413	010-3103-50	1500 ohm/100MHz	R128	119-1011-15	1/10W 100 ohm	R414	119-1001-15	1/10W 10 ohm
L1414	010-3103-50	1500 ohm/100MHz	R129	119-1011-15	1/10W 100 ohm	R415	119-1001-15	1/10W 10 ohm
L1415	010-3103-50	1500 ohm/100MHz	R132	119-4731-15	1/10W 47k ohm	R500	119-3311-15	1/10W 330 ohm
L1416	010-3103-50	1500 ohm/100MHz	R133	119-4731-15	1/10W 47k ohm	R503	119-4721-15	1/10W 4.7k ohm
L1417	010-3103-50	1500 ohm/100MHz	R139	119-0000-05	1/10W 0 ohm JW	R504	119-2201-15	1/10W 22 ohm
L1418	010-3103-50	1500 ohm/100MHz	R140	119-4731-15	1/10W 47k ohm	R601	119-1011-15	1/10W 100 ohm
L1419	010-3103-50	1500 ohm/100MHz	R144	119-3301-15	1/10W 33 ohm	R602	119-5601-15	1/10W 56 ohm
L1420	010-3103-50	1500 ohm/100MHz	R145	119-1011-15	1/10W 100 ohm	R603	119-5601-15	1/10W 56 ohm
L1421	010-3103-50	1500 ohm/100MHz	R147	119-3301-15	1/10W 33 ohm	R604	119-5601-15	1/10W 56 ohm
L1422	010-3103-50	1500 ohm/100MHz	R148	119-1021-15	1/10W 1k ohm	R605	119-1031-15	1/10W 10k ohm
L1423	010-3103-50	1500 ohm/100MHz	R149	119-1031-15	1/10W 10k ohm	R606	119-2221-15	1/10W 2.2k ohm
L1424	010-3104-54	600 ohm/100MHz	R152	119-4721-15	1/10W 4.7k ohm	R607	119-6801-15	1/10W 68 ohm

REF No.	PART No.	DESCRIPTION	REF No.	PART No.	DESCRIPTION	REF No.	PART No.	DESCRIPTION
R608	119-2211-15	1/10W 220 ohm	R820	119-1521-15	1/10W 1.5k ohm	R1225	119-1031-15	1/10W 10k ohm
R609	119-1011-15	1/10W 100 ohm	R823	119-5601-15	1/10W 56 ohm	R1226	119-3921-15	1/10W 3.9k ohm
R610	119-1011-15	1/10W 100 ohm	R827	119-1801-15	1/10W 18 ohm	R1227	119-8221-15	1/10W 8.2k ohm
R611	119-3311-15	1/10W 330 ohm	R829	119-5611-15	1/10W 560 ohm	R1231	119-1021-15	1/10W 1k ohm
R612	119-3321-15	1/10W 3.3k ohm	R901	119-2201-15	1/10W 22 ohm	R1232	119-3311-15	1/10W 330 ohm
R614	119-4721-15	1/10W 4.7k ohm	R902	119-4731-15	1/10W 47k ohm	R1234	119-3311-15	1/10W 330 ohm
R618	119-1011-15	1/10W 100 ohm	R903	119-2201-15	1/10W 22 ohm	R1235	119-2221-15	1/10W 2.2k ohm
R619	119-5601-15	1/10W 56 ohm	R904	119-2201-15	1/10W 22 ohm	R1236	119-4731-15	1/10W 47k ohm
R623	119-0000-05	1/10W 0 ohm JW	R905	119-0000-05	1/10W 0 ohm JW	R1237	119-1821-15	1/10W 1.8k ohm
R624	119-1031-15	1/10W 10k ohm	R907	119-5621-15	1/10W 5.6k ohm	R1238	119-1011-15	1/10W 100 ohm
R625	119-1031-15	1/10W 10k ohm	R908	119-1021-15	1/10W 1k ohm	R1260	119-1031-15	1/10W 10k ohm
R626	119-1021-15	1/10W 1k ohm	R909	119-8201-15	1/10W 82 ohm	R1261	119-1031-15	1/10W 10k ohm
R627	119-3321-15	1/10W 3.3k ohm	R910	119-8201-15	1/10W 82 ohm	R1262	119-2221-15	1/10W 2.2k ohm
R629	119-0000-05	1/10W 0 ohm JW	R911	119-8201-15	1/10W 82 ohm	R1263	119-4731-15	1/10W 47k ohm
R630	119-1031-15	1/10W 10k ohm	R912	119-1031-15	1/10W 10k ohm	R1301	119-1031-15	1/10W 10k ohm
R631	119-1021-15	1/10W 1k ohm	R913	119-1011-15	1/10W 100 ohm	R1302	119-1031-15	1/10W 10k ohm
R632	119-1031-15	1/10W 10k ohm	R914	119-0000-05	1/10W 0 ohm JW	R1303	116-1011-15	1/4W 100 ohm
R633	119-2211-15	1/10W 220 ohm	R1001	119-4701-15	1/10W 47 ohm	R1304	116-1011-15	1/4W 100 ohm
R634	119-1031-15	1/10W 10k ohm	R1003	119-1031-15	1/10W 10k ohm	R1305	116-1011-15	1/4W 100 ohm
R639	119-1001-15	1/10W 10 ohm	R1004	119-1041-15	1/10W 100k ohm	R1306	116-1011-15	1/4W 100 ohm
R640	119-3301-15	1/10W 33 ohm	R1005	119-1531-15	1/10W 15k ohm	R1307	116-1011-15	1/4W 100 ohm
R644	119-3311-15	1/10W 330 ohm	R1006	119-1041-15	1/10W 100k ohm	R1308	116-1011-15	1/4W 100 ohm
R645	119-3311-15	1/10W 330 ohm	R1010	119-4701-15	1/10W 47 ohm	R1309	116-1221-15	1/4W 1.2k ohm
R646	119-3311-15	1/10W 330 ohm	R1013	119-0000-05	1/10W 0 ohm JW	R1310	119-1031-15	1/10W 10k ohm
R650	119-1031-15	1/10W 10k ohm	R1016	119-1031-15	1/10W 10k ohm	R1311	119-3921-15	1/10W 3.9k ohm
R651	119-1031-15	1/10W 10k ohm	R1017	119-1021-15	1/10W 1k ohm	R1312	032-0140-03	1/10W 220k ohm F
R652	119-4721-15	1/10W 4.7k ohm	R1018	119-1031-15	1/10W 10k ohm	R1313	032-0140-88	1/10W 100k ohm F
R656	119-1031-15	1/10W 10k ohm	R1019	119-1021-15	1/10W 1k ohm	R1314	032-0140-63	1/10W 27k ohm F
R657	119-1031-15	1/10W 10k ohm	R1020	119-1031-15	1/10W 10k ohm	R1315	119-1031-15	1/10W 10k ohm
R658	119-1031-15	1/10W 10k ohm	R1021	119-1031-15	1/10W 10k ohm	R1316	119-1021-15	1/10W 1k ohm
R659	119-1031-15	1/10W 10k ohm	R1036	119-0000-05	1/10W 0 ohm JW	R1317	119-2241-15	1/10W 220k ohm
R660	119-1031-15	1/10W 10k ohm	R1038	119-4701-15	1/10W 47 ohm	R1318	119-2201-15	1/10W 22 ohm
R661	119-1031-15	1/10W 10k ohm	R1101	119-1021-15	1/10W 1k ohm	R1319	119-0000-05	1/10W 0 ohm JW
R662	119-1021-15	1/10W 1k ohm	R1102	119-1031-15	1/10W 10k ohm	R1320	032-0140-51	1/10W 15k ohm F
R663	119-4731-15	1/10W 47k ohm	R1103	119-0000-05	1/10W 0 ohm JW	R1321	032-0140-05	1/10W 82k ohm F
R664	119-5621-15	1/10W 5.6k ohm	R1104	119-5631-15	1/10W 56k ohm	R1322	032-0140-67	1/10W 3.3k ohm F
R665	119-0000-05	1/10W 0 ohm JW	R1105	032-0140-21	1/10W 549k ohm F	R1323	119-0000-05	1/10W 0 ohm JW
R666	119-1031-15	1/10W 10k ohm	R1106	119-2231-15	1/10W 22k ohm	R1324	119-1031-15	1/10W 10k ohm
R668	119-1031-15	1/10W 10k ohm	R1108	119-4711-15	1/10W 470 ohm	R1325	119-3321-15	1/10W 3.3k ohm
R669	119-4731-15	1/10W 47k ohm	R1109	119-4711-15	1/10W 470 ohm	R1327	119-0000-05	1/10W 0 ohm JW
R670	119-8201-15	1/10W 82 ohm	R1110	119-4711-15	1/10W 470 ohm	R1328	032-0140-52	1/10W 33k ohm F
R671	119-8201-15	1/10W 82 ohm	R1111	119-4731-15	1/10W 47k ohm	R1329	032-0140-63	1/10W 33k ohm F
R672	119-4731-15	1/10W 47k ohm	R1112	119-1021-15	1/10W 1k ohm	R1330	032-0140-05	1/10W 82k ohm F
R701	119-1011-15	1/10W 100 ohm	R1113	119-4731-15	1/10W 47k ohm	R1331	032-0140-63	1/10W 27k ohm F
R702	119-5601-15	1/10W 56 ohm	R1115	119-3331-15	1/10W 33k ohm	R1332	119-0000-05	1/10W 0 ohm JW
R704	119-2231-15	1/10W 22k ohm	R1116	119-3321-15	1/10W 3.3k ohm	R1333	032-0140-62	1/10W 1k ohm F
R705	119-1221-15	1/10W 1.2k ohm	R1117	119-1031-15	1/10W 10k ohm	R1334	032-0140-79	1/10W 2.7k ohm F
R706	119-4731-15	1/10W 47k ohm	R1118	119-1231-15	1/10W 12k ohm	R1335	032-0140-79	1/10W 2.7k ohm F
R710	119-1011-15	1/10W 100 ohm	R1119	119-2201-15	1/10W 22 ohm	R1336	032-0140-62	1/10W 1k ohm F
R711	119-1031-15	1/10W 10k ohm	R1120	119-2721-15	1/10W 2.7k ohm	R1337	119-0000-05	1/10W 0 ohm JW
R713	119-3301-15	1/10W 33 ohm	R1121	119-1041-15	1/10W 100k ohm	R1338	119-0000-05	1/10W 0 ohm JW
R718	119-4731-15	1/10W 47k ohm	R1122	119-4701-15	1/10W 47 ohm	R1339	119-0000-05	1/10W 0 ohm JW
R719	119-1031-15	1/10W 10k ohm	R1123	032-0140-50	1/10W 10k ohm F	R1340	119-0000-05	1/10W 0 ohm JW
R720	119-2221-15	1/10W 2.2k ohm	R1124	032-0140-50	1/10W 10k ohm F	R1341	119-9121-15	1/10W 9.1k ohm
R721	119-2231-15	1/10W 22k ohm	R1125	032-0140-50	1/10W 10k ohm F	R1342	119-7521-15	1/10W 7.5k ohm
R723	119-1031-15	1/10W 10k ohm	R1126	032-0140-50	1/10W 10k ohm F	R1343	032-0140-66	1/10W 220 ohm F
R730	119-1031-15	1/10W 10k ohm	R1127	032-0140-50	1/10W 10k ohm F	R1344	032-0140-98	1/10W 330 ohm F
R735	119-2201-15	1/10W 22 ohm	R1128	032-0140-50	1/10W 10k ohm F	R1345	032-0140-13	1/10W 33 ohm F
R736	119-2201-15	1/10W 22 ohm	R1129	119-1021-15	1/10W 1k ohm	R1346	119-2711-15	1/10W 270 ohm
R737	119-1031-15	1/10W 10k ohm	R1130	032-0140-50	1/10W 10k ohm F	R1347	119-1031-15	1/10W 10k ohm
R738	119-1031-15	1/10W 10k ohm	R1131	032-0140-50	1/10W 10k ohm F	R1348	119-1021-15	1/10W 1k ohm
R741	119-3301-15	1/10W 33 ohm	R1132	119-1021-15	1/10W 1k ohm	R1350	032-0140-56	1/10W 12k ohm F
R744	119-1031-15	1/10W 10k ohm	R1133	119-4701-15	1/10W 47 ohm	R1351	032-0140-51	1/10W 15k ohm F
R752	119-1011-15	1/10W 100 ohm	R1134	119-1011-15	1/10W 100 ohm	R1352	119-1031-15	1/10W 10k ohm
R753	119-0000-05	1/10W 0 ohm JW	R1142	119-0000-05	1/10W 0 ohm JW	R1353	119-2211-15	1/10W 220 ohm
R755	119-1011-15	1/10W 100 ohm	R1216	119-3311-15	1/10W 330 ohm	R1354	119-1031-15	1/10W 10k ohm
R801	119-5601-15	1/10W 56 ohm	R1217	119-2221-15	1/10W 2.2k ohm	R1355	119-1021-15	1/10W 1k ohm
R803	119-2221-15	1/10W 2.2k ohm	R1218	119-4721-15	1/10W 4.7k ohm	R1356	119-0000-05	1/10W 0 ohm JW
R804	119-0000-05	1/10W 0 ohm JW	R1219	119-1231-15	1/10W 12k ohm	R1360	119-1021-15	1/10W 1k ohm
R805	119-4731-15	1/10W 47k ohm	R1220	119-2721-15	1/10W 2.7k ohm	R1363	119-1031-15	1/10W 10k ohm
R806	119-0000-05	1/10W 0 ohm JW	R1221	119-1531-15	1/10W 15k ohm	R1364	119-0000-05	1/10W 0 ohm JW
R813	119-0000-05	1/10W 0 ohm JW	R1222	119-1831-15	1/10W 18k ohm	R1409	119-4731-15	1/10W 47k ohm
R816	032-0140-06	1/10W 100 ohm F	R1223	119-4721-15	1/10W 4.7k ohm	R1410	119-4731-15	1/10W 47k ohm
R817	032-0140-92	1/10W 1.6k ohm F	R1224	119-4731-15	1/10W 47k ohm	R1411	119-1011-15	1/10W 100 ohm

REF No.	PART No.	DESCRIPTION	REF No.	PART No.	DESCRIPTION	REF No.	PART No.	DESCRIPTION
R1412	119-3331-15	1/10W 33k ohm	R1497	119-0000-05	1/10W 0 ohm JW	R1543	119-3311-15	1/10W 330 ohm
R1413	119-4721-15	1/10W 4.7k ohm	R1498	119-4731-15	1/10W 47k ohm	R1544	119-4731-15	1/10W 47k ohm
R1417	119-1011-15	1/10W 100 ohm	R1499	119-4731-15	1/10W 47k ohm	R1545	119-4731-15	1/10W 47k ohm
R1418	119-4721-15	1/10W 4.7k ohm	R1501	119-1021-15	1/10W 1k ohm	R1546	119-1031-15	1/10W 10k ohm
R1419	119-1021-15	1/10W 1k ohm	R1502	119-1021-15	1/10W 1k ohm	R1548	119-4731-15	1/10W 47k ohm
R1420	119-8211-15	1/10W 820 ohm	R1503	119-1031-15	1/10W 10k ohm	R1549	119-4731-15	1/10W 47k ohm
R1421	119-4731-15	1/10W 47k ohm	R1504	119-1031-15	1/10W 10k ohm	R1550	119-0000-05	1/10W 0 ohm JW
R1422	119-3311-15	1/10W 330 ohm	R1507	032-0140-67	1/10W 3.3k ohm F	TH1102	002-0325-00	MINISMDC150F
R1423	119-4731-15	1/10W 47k ohm	R1508	032-0140-81	1/10W 3.9k ohm F			/24-2
R1426	119-4721-15	1/10W 4.7k ohm	R1509	119-4731-15	1/10W 47k ohm	TM1301	073-0778-90	TERMINAL
R1427	119-5641-15	1/10W 560k ohm	R1510	119-1011-15	1/10W 100 ohm	TM1302	073-0778-90	TERMINAL
R1428	119-1021-15	1/10W 1k ohm	R1512	119-1011-15	1/10W 100 ohm	TM1303	073-0778-90	TERMINAL
R1429	119-1031-15	1/10W 10k ohm	R1513	119-1031-15	1/10W 10k ohm	TM1304	073-0778-90	TERMINAL
R1430	119-1031-15	1/10W 10k ohm	R1514	119-4731-15	1/10W 47k ohm	TM1305	073-0778-90	TERMINAL
R1431	119-3331-15	1/10W 33k ohm	R1515	119-1021-15	1/10W 1k ohm	TM1306	073-0778-90	TERMINAL
R1434	119-2231-15	1/10W 22k ohm	R1519	119-1021-15	1/10W 1k ohm	TM1307	073-0778-90	TERMINAL
R1435	119-1531-15	1/10W 15k ohm	R1520	119-4731-15	1/10W 47k ohm	TM1310	073-0778-90	TERMINAL
R1436	119-1531-15	1/10W 15k ohm	R1525	119-1021-15	1/10W 1k ohm	VR1101	012-4997-59	47k ohm VR
R1437	119-4731-15	1/10W 47k ohm	R1526	119-1041-15	1/10W 100k ohm	X101	061-4547-90	9.59790MHz
R1438	119-3321-15	1/10W 3.3k ohm	R1527	119-1011-15	1/10W 100 ohm	X102	061-4539-90	48MHz 2725T
R1439	119-2231-15	1/10W 22k ohm	R1533	119-1011-15	1/10W 100 ohm	X601	061-4537-90	22.5792MHz/2725T
R1443	119-4721-15	1/10W 4.7k ohm	R1534	119-1011-15	1/10W 100 ohm	X801	061-3557-90	28.63636MHz
R1444	119-1021-15	1/10W 1k ohm	R1535	119-1011-15	1/10W 100 ohm	X1101	061-3552-90	4.33MHz
R1462	116-1021-15	1/4W 1k ohm	R1536	119-1011-15	1/10W 100 ohm	X1501	060-1533-90	CSTCE10M0G52-RO
R1463	116-1021-15	1/4W 1k ohm	R1538	119-2231-15	1/10W 22k ohm			
R1464	116-1021-15	1/4W 1k ohm	R1539	119-1011-15	1/10W 100 ohm	PWB	039-3134-01	PWB(WITHOUT COMPONENTS)
R1485	119-1011-15	1/10W 100 ohm	R1540	119-1031-15	1/10W 10k ohm			
R1487	119-3331-15	1/10W 33k ohm	R1541	119-1011-15	1/10W 100 ohm			
R1492	119-4731-15	1/10W 47k ohm	R1542	119-4731-15	1/10W 47k ohm			

LCD PWB(B4) section

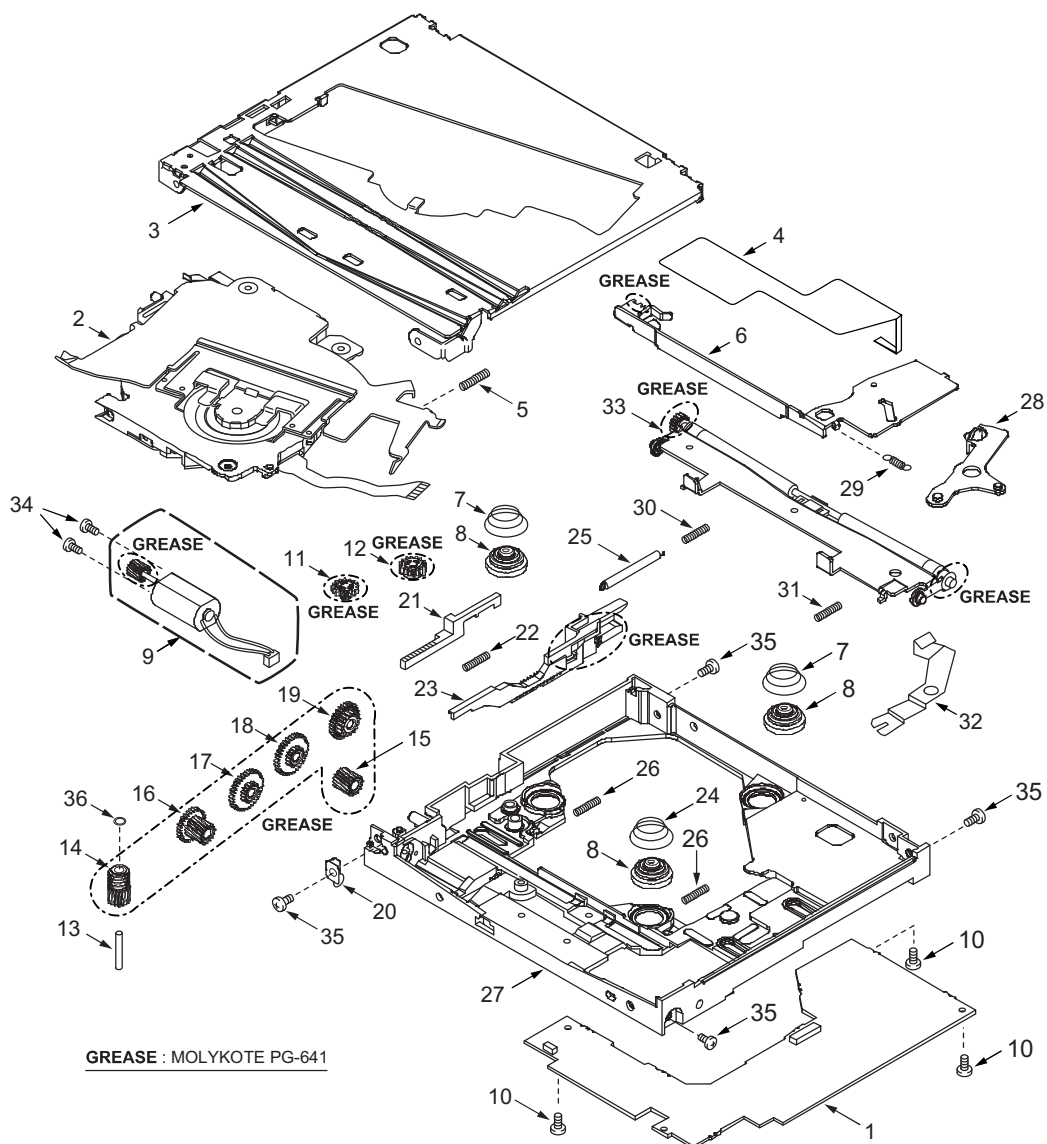
REF No.	PART No.	DESCRIPTION	REF No.	PART No.	DESCRIPTION	REF No.	PART No.	DESCRIPTION
C701	042-1760-90	16V 10uF M	C758	042-1760-90	16V 10uF M	C809	168-1042-78	16V 0.1uF
C702	042-1760-90	16V 10uF M	C759	168-1032-55	0.01uF K	C810	042-1764-90	16V 100uF M
C703	042-1760-90	16V 10uF M	C760	168-1045-56	0.1uF Z	C811	168-1042-78	16V 0.1uF
C704	166-1007-50	10pF CH	C761	042-1760-90	16V 10uF M	C812	168-1042-78	16V 0.1uF
C706	042-1764-90	16V 100uF M	C762	042-1764-90	16V 100uF M	C813	168-1042-78	16V 0.1uF
C709	178-1055-79	1uF	C763	178-2242-78	0.22uF	C814	168-1042-78	16V 0.1uF
C710	168-1032-55	0.01uF K	C764	168-1045-56	0.1uF Z	C815	166-4711-50	470pF CH
C712	168-1032-55	0.01uF K	C765	168-1032-55	0.01uF K	C816	168-1042-78	16V 0.1uF
C713	166-8211-50	820pF	C766	042-1760-90	16V 10uF M	C817	168-1042-78	16V 0.1uF
C714	168-1032-55	0.01uF K	C767	168-1045-56	0.1uF Z	C818	168-1042-78	16V 0.1uF
C715	168-1032-55	0.01uF K	C768	168-1032-55	0.01uF K	C819	168-1042-78	16V 0.1uF
C716	168-1032-55	0.01uF K	C769	178-2242-78	0.22uF	C850	168-1045-56	0.1uF Z
C717	168-1032-55	0.01uF K	C770	168-1045-56	0.1uF Z	C851	178-2255-79	2.2uF
C718	168-1032-55	0.01uF K	C771	168-6832-78	0.068uF K	C852	043-0549-50	3KV10PF
C719	168-1032-55	0.01uF K	C772	168-1032-55	0.01uF K	C853	042-1727-90	16V 33uF TAN
C720	043-0547-50	16V 3.3uF	C773	166-1801-50	18pF CH	C854	168-1045-56	0.1uF Z
C721	168-1052-78	1uF	C774	168-1032-55	0.01uF K	C855	168-1232-55	0.012uF K
C722	042-1764-90	16V 100uF M	C776	168-1032-55	0.01uF K	C856	166-3911-50	390pF CH
C723	168-1052-78	1uF	C777	168-1032-55	0.01uF K	C857	042-1763-90	25V 47uF M
C724	168-1052-78	1uF	C778	168-1045-56	0.1uF Z	C858	168-1022-55	1000pF K
C725	168-1032-55	0.01uF K	C779	168-1032-55	0.01uF K	C859	168-1032-55	0.01uF K
C726	168-1032-55	0.01uF K	C780	168-1032-55	0.01uF K	C860	166-3311-50	330pF CH
C727	168-1052-78	1uF	C781	168-1042-78	16V 0.1uF	C861	168-4722-55	4700pF K
C728	042-1764-90	16V 100uF M	C782	166-6811-50	680pF	C862	168-6832-78	0.068uF K
C729	168-1032-55	0.01uF K	C783	168-1045-56	0.1uF Z	C863	178-2255-79	2.2uF
C730	168-1052-78	1uF	C784	168-1022-55	1000pF K	C864	168-2232-55	0.022uF K
C731	168-1032-55	0.01uF K	C785	168-1045-56	0.1uF Z	C865	178-1052-78	1uF
C733	168-2232-55	0.022uF K	C786	166-1011-50	100pF CH	C866	043-0567-90	25V 22uF
C734	166-5601-50	56pF CH	C787	168-1045-56	0.1uF Z	C867	043-0567-90	25V 22uF
C735	168-1042-78	16V 0.1uF	C788	166-4701-50	47pF CH	C868	168-1032-55	0.01uF K
C736	168-4732-78	0.047uF K	C789	166-5096-50	5pF CH	C869	042-1763-90	25V 47uF M
C737	168-1042-78	16V 0.1uF	C790	168-1045-56	0.1uF Z	C870	168-1045-56	0.1uF Z
C738	168-1032-55	0.01uF K	C791	168-1045-56	0.1uF Z	C873	042-1763-90	25V 47uF M
C739	168-1052-78	1uF	C801	166-4711-50	470pF CH	C875	042-1761-90	35V 22uF M
C750	168-1032-55	0.01uF K	C802	166-4711-50	470pF CH	C876	042-1761-90	35V 22uF M
C751	168-1045-56	0.1uF Z	C803	166-4711-50	470pF CH	C877	168-1045-56	0.1uF Z
C752	042-1765-90	10V 33uF	C804	166-4711-50	470pF CH	C878	042-1761-90	35V 22uF M
C753	168-1045-56	0.1uF Z	C805	166-1021-50	1000pF CH	C879	042-1764-90	16V 100uF M
C754	042-1764-90	16V 100uF M	C806	166-1021-50	1000pF CH	C880	178-1055-79	1uF
C755	168-1032-55	0.01uF K	C807	166-1021-50	1000pF CH	C881	042-1763-90	25V 47uF M
C757	168-1045-56	0.1uF Z	C808	166-1021-50	1000pF CH	C882	168-1042-78	16V 0.1uF

REF No.	PART No.	DESCRIPTION	REF No.	PART No.	DESCRIPTION	REF No.	PART No.	DESCRIPTION
C883	042-1761-90	35V 22uF M	L751	010-3407-62	10uH J	R770	119-1821-15	1/10W 1.8k ohm
C884	042-1763-90	25V 47uF M	L752	010-3407-62	10uH J	R771	119-1011-15	1/10W 100 ohm
C885	042-1764-90	16V 100uF M	L753	010-3407-68	33uH J	R772	119-4721-15	1/10W 4.7k ohm
C886	178-1055-79	1uF	L754	010-3406-59	5.6uH J	R773	119-4731-15	1/10W 47k ohm
C887	168-1022-55	1000pF K	L801	010-3406-59	5.6uH J	R774	119-1531-15	1/10W 15k ohm
C888	042-1763-90	25V 47uF M	L852	010-3059-90	200 ohm FILTER	R775	119-1531-15	1/10W 15k ohm
C889	042-1761-90	35V 22uF M	L875	010-3010-50	100uH	R777	119-3321-15	1/10W 3.3k ohm
C890	042-1762-90	35V 4.7uF M	L876	010-3406-74	100uH J	R778	119-3311-15	1/10W 330 ohm
C891	042-1764-90	16V 100uF M	L877	010-3406-74	100uH J	R779	032-0140-79	1/10W 2.7k ohm F
C893	042-1750-90	16V 100uF M	L878	010-3057-90	100uH	R780	119-3621-15	1/10W 3.6k ohm
C894	042-1763-90	25V 47uF M	L879	010-3406-74	100uH J	R781	119-1831-15	1/10W 18k ohm
C895	042-1763-90	25V 47uF M	L880	010-3406-74	100uH J	R782	119-0000-05	1/10W 0 ohm JW
C896	178-1055-79	1uF	P851	076-0529-02	2P	R783	032-0140-57	1/10W 5.6k ohm F
C897	168-2222-55	2200pF K	Q701	192-3265-00	2SC3265 O,Y	R784	119-1031-15	1/10W 10k ohm
CCT750	050-0140-52	1/32W 100 ohm x4J	Q702	190-1298-00	2SA1298	R801	119-2231-15	1/10W 22k ohm
CCT751	050-0140-52	1/32W 100 ohm x4J	Q703	192-3265-00	2SC3265 O,Y	R802	119-2231-15	1/10W 22k ohm
CCT752	050-0140-58	1/32W 470 ohm x4J	Q704	190-1298-00	2SA1298	R803	119-4711-15	1/10W 470 ohm
CCT801	050-0140-54	1/32W 1k ohm x4J	Q750	192-4118-00	2SC4118	R804	119-4711-15	1/10W 470 ohm
CCT802	050-0140-58	1/32W 470 ohm x4J	Q801	125-2027-94	DTC123JUA	R805	119-3321-15	1/10W 3.3k ohm
CCT803	050-0140-54	1/32W 1k ohm x4J	Q802	125-2027-94	DTC123JUA	R806	119-6811-15	1/10W 680 ohm
CCT804	050-0140-63	1/32W 47k ohm x4J	Q803	125-0021-94	DTA123JUA	R807	119-4731-15	1/10W 47k ohm
CCT805	050-0140-63	1/32W 47k ohm x4J	Q804	125-0021-94	DTA123JUA	R808	119-1051-15	1/10W 1M ohm
D750	001-0535-90	MA729	Q851	125-0025-92	RN2302	R809	119-2211-15	1/10W 220 ohm
D752	001-3218-90	1SV231	Q852	125-2032-92	RN1302	R814	119-4731-15	1/10W 47k ohm
D753	001-0529-29	MA8051-M	Q875	192-2873-00	2SC2873	R815	119-4731-15	1/10W 47k ohm
D754	001-0529-29	MA8051-M	R701	119-1031-15	1/10W 10k ohm	R816	119-4731-15	1/10W 47k ohm
D801	001-0367-91	1SS226	R702	119-6821-15	1/10W 6.8k ohm	R817	119-4731-15	1/10W 47k ohm
D802	001-0367-91	1SS226	R703	119-4321-15	1/10W 4.3k ohm	R818	119-4731-15	1/10W 47k ohm
D803	001-0367-91	1SS226	R704	119-5621-15	1/10W 5.6k ohm	R851	116-6811-15	1/4W 680 ohm
D804	001-0367-91	1SS226	R705	119-1011-15	1/10W 100 ohm	R852	119-1041-15	1/10W 100k ohm
D805	001-0525-90	IMN10	R706	119-5621-15	1/10W 5.6k ohm	R853	119-1031-15	1/10W 10k ohm
D806	001-0580-90	1SS352	R707	119-6821-15	1/10W 6.8k ohm	R854	032-0140-89	1/10W 47k ohm F
D807	001-4305-20	UDZSTE-17 5.6B	R708	119-1011-15	1/10W 100 ohm	R855	119-1021-15	1/10W 1k ohm
D808	001-4305-20	UDZSTE-17 5.6B	R709	032-0140-62	1/10W 1k ohm F	R856	119-3931-15	1/10W 39k ohm
D809	001-4305-20	UDZSTE-17 5.6B	R710	119-3931-15	1/10W 39k ohm	R857	119-1031-15	1/10W 10k ohm
D810	001-4305-20	UDZSTE-17 5.6B	R711	119-3931-15	1/10W 39k ohm	R858	119-3351-15	1/10W 3.3M ohm
D811	001-4305-20	UDZSTE-17 5.6B	R712	119-3931-15	1/10W 39k ohm	R859	119-1021-15	1/10W 1k ohm
D812	001-4305-20	UDZSTE-17 5.6B	R713	119-4731-15	1/10W 47k ohm	R860	119-1021-15	1/10W 1k ohm
D813	001-4305-20	UDZSTE-17 5.6B	R714	032-0140-80	1/10W 18k ohm F	R861	119-6841-15	1/10W 680k ohm
D814	001-4305-20	UDZSTE-17 5.6B	R715	032-0140-58	1/10W 51k ohm F	R862	119-1051-15	1/10W 1M ohm
D815	001-4305-20	UDZSTE-17 5.6B	R716	032-0140-23	1/10W 68 ohm F	R863	032-0140-90	1/10W 560 ohm F
D816	001-4305-20	UDZSTE-17 5.6B	R717	032-0140-23	1/10W 68 ohm F	R864	032-0140-61	1/10W 3k ohm F
D851	001-0529-29	MA8051-M	R718	032-0140-23	1/10W 68 ohm F	R865	119-1021-15	1/10W 1k ohm
D852	001-1315-90	HSM123TL-E	R719	119-2231-15	1/10W 22k ohm	R866	119-1021-15	1/10W 1k ohm
D853	001-1315-90	HSM123TL-E	R720	119-2231-15	1/10W 22k ohm	R874	119-2231-15	1/10W 22k ohm
D875	001-0517-90	1SS355	R721	119-2231-15	1/10W 22k ohm	R875	119-1001-15	1/10W 10 ohm
D876	001-0517-90	1SS355	R722	119-2231-15	1/10W 22k ohm	R876	119-3311-15	1/10W 330 ohm
D877	001-2606-90	M1FS4	R723	032-0140-52	1/10W 33k ohm F	R877	119-1841-15	1/10W 180k ohm
D878	001-0517-90	1SS355	R724	032-0140-99	1/10W 39k ohm F	R878	119-6841-15	1/10W 680k ohm
D879	001-0517-90	1SS355	R725	119-1831-15	1/10W 18k ohm	R879	119-3931-15	1/10W 39k ohm
F852	060-8058-92	1.0A ERBSE1R00U	R726	119-1231-15	1/10W 12k ohm	R880	119-6841-15	1/10W 680k ohm
FIL750	060-3118-50	FK2125T25	R729	119-5641-15	1/10W 560k ohm	R881	119-2431-15	1/10W 24k ohm
IC701	051-1292-90	NJM4565M-D	R730	119-5611-15	1/10W 560 ohm	R882	119-2221-15	1/10W 2.2k ohm
IC702	051-5313-10	IR3Y29BM	R731	119-1011-15	1/10W 100 ohm	R893	119-1811-15	1/10W 180 ohm
IC751	051-6443-00	TC200G02AF-0104Z	R732	119-1011-15	1/10W 100 ohm	R898	119-0000-05	1/10W 0 ohm JW
IC752	051-7262-48	TC7WH14FU-TE12L,F	R733	119-1011-15	1/10W 100 ohm	T851	007-1181-90	TR25-A-S
IC754	051-3025-90	NJM2107F	R734	032-0140-80	1/10W 18k ohm F	T875	007-1168-90	TR11-A-S
IC755	051-7243-18	TC7SET08FU-TE85L,F	R736	119-2221-15	1/10W 2.2k ohm	TM701	073-0762-90	TERMINAL
IC801	052-7066-01	M30102M2-561FP	R742	119-4731-15	1/10W 47k ohm	TM801	073-0762-90	TERMINAL
IC851	125-9023-90	TPCF8402TE85L,F	R743	119-4731-15	1/10W 47k ohm	TM851	073-0762-90	TERMINAL
IC852	051-3925-90	OZ9910ISN-T2	R745	119-1011-15	1/10W 100 ohm	TM852	073-0762-90	TERMINAL
IC853	125-9023-90	TPCF8402TE85L,F	R746	119-1011-15	1/10W 100 ohm	VR701	012-6009-56	10k ohm B VR
IC854	051-3351-90	BA033CC0FP-E2	R747	119-1011-15	1/10W 100 ohm	VR702	012-6009-53	2.2k ohm B VR
IC875	051-3913-90	NJM2368E	R754	119-6811-15	1/10W 680 ohm	VR703	012-6009-58	33k ohm B VR
J701	074-2225-92	SOCKET(42P)	R757	119-3301-15	1/10W 33 ohm	VR704	012-6009-58	33k ohm B VR
J750	074-2241-80	30P	R758	119-1011-15	1/10W 100 ohm	VR705	012-6009-58	33k ohm B VR
J801	074-2219-54	SOCKET 4P	R759	119-1011-15	1/10W 100 ohm	VR706	012-6009-58	33k ohm B VR
J803	074-2225-66	SOCKET 16P	R760	119-1021-15	1/10W 1k ohm	VR707	012-6009-57	22k ohm B VR
J804	074-2225-66	SOCKET 16P	R761	119-1021-15	1/10W 1k ohm	VR750	012-6009-56	10k ohm B VR
L701	010-3406-68	33uH J	R762	119-1021-15	1/10W 1k ohm	VR875	012-6009-52	1k ohm B VR
L702	010-3406-68	33uH J	R763	119-4711-15	1/10W 470 ohm	X801	060-1531-90	4.91MHz
L750	010-3407-62	10uH J	R767	119-1051-15	1/10W 1M ohm	PWB	039-3111-00	PWB(WITHOUT COMPONENTS)
			R768	119-6831-15	1/10W 68k ohm			
			R769	119-6831-15	1/10W 68k ohm			

Switch PWB(B5) section

REF No.	PART No.	DESCRIPTION	REF No.	PART No.	DESCRIPTION	REF No.	PART No.	DESCRIPTION
D4002	001-7094-91	VFR1112H-TR	D4030	001-7094-92	VFR1112H-6A83A2	S4004	013-6203-51	TACT SWITCH
D4006	001-7094-92	VFR1112H-6A83A2	D4031	001-7094-92	VFR1112H-6A83A2	S4005	013-6203-51	TACT SWITCH
D4007	001-7094-92	VFR1112H-6A83A2	J4001	074-2212-66	16P	S4006	013-6203-51	TACT SWITCH
D4008	001-7094-91	VFR1112H-TR	J4002	074-2212-66	16P	S4007	013-6203-51	TACT SWITCH
D4012	001-7094-91	VFR1112H-TR	R4001	119-0000-05	1/10W 0 ohm JW	S4008	013-6203-51	TACT SWITCH
D4013	001-7094-91	VFR1112H-TR	R4002	119-3321-15	1/10W 3.3k ohm	S4009	013-6203-51	TACT SWITCH
D4016	001-7094-91	VFR1112H-TR	R4003	117-1221-15	1/8W 1.2k ohm	S4010	013-6203-51	TACT SWITCH
D4017	001-7094-92	VFR1112H-6A83A2	R4004	117-1221-15	1/8W 1.2k ohm	S4011	013-6203-51	TACT SWITCH
D4018	001-7094-92	VFR1112H-6A83A2	R4005	119-3321-15	1/10W 3.3k ohm	S4012	013-6203-51	TACT SWITCH
D4019	001-7094-92	VFR1112H-6A83A2	R4006	119-3321-15	1/10W 3.3k ohm	VR1	016-0018-22	VR W/SHAFT
D4020	001-7094-92	VFR1112H-6A83A2	R4007	119-3321-15	1/10W 3.3k ohm	PWB	039-3137-00	PWB(WITHOUT COMPONENTS)
D4024	001-7094-92	VFR1112H-6A83A2	R4008	119-3321-15	1/10W 3.3k ohm			
D4026	001-7094-92	VFR1112H-6A83A2	S4003	013-6203-51	TACT SWITCH			

EXPLODED VIEW / PARTS LIST



NO.	PART NO.	DESCRIPTION	Q'TY	NO.	PART NO.	DESCRIPTION	Q'TY
1	-----	Servo PWB	1	19	658-0238-03	Laoding Gear (6)	1
2	658-0247-01	Suspension Assy	1	20	658-0238-04	Worm Gear Housing Spring	1
3	658-0244-16	Upper Chassis	1	21	658-0238-05	Clamp Rack	1
4	658-0247-02	Sensor FPC Assy	1	22	658-0238-06	Clamp Rack Spring	1
5	658-0237-88	Earth Spring	1	23	658-0238-07	Slide Lever	1
6	658-0239-06	Suspension Lock Lever (L)	1	24	658-0238-08	Suspension Spring (F)	1
7	658-0237-90	Suspension Spring	2	25	658-0238-09	Slide Lever Spring	1
8	658-0239-07	Damper	3	26	658-0238-10	Offset Spring	2
9	658-0247-03	Loading Motor Assy	1	27	658-0238-11	Main Chassis	1
10	658-0238-23	Screw	3	28	658-0238-12	Suspension Lock Lever (R)	1
11	658-0237-94	Lock Gear (1)	1	29	658-0238-13	Suspension Lock Lever L Spring	1
12	658-0237-95	Lock Gear (2)	1	30	658-0238-15	Feeder Spring (L)	1
13	658-0246-01	Loading Gear Shaft	1	31	658-0238-16	Feeder Spring (R)	1
14	658-0246-02	Laoding Gear (1)	1	32	658-0238-17	Upper Spring	1
15	658-0237-98	Laoding Gear (2)	1	33	658-0244-19	Feeder Arm Assy	1
16	658-0237-99	Laoding Gear (3)	1	34	658-0238-21	Screw	2
17	658-0238-01	Laoding Gear (4)	1	35	658-0244-20	Screw	4
18	658-0238-02	Laoding Gear (5)	1	36	658-0247-04	Load Gear 1 Collar	1

ELECTRICAL PARTS LIST

Servo PWB(BM1) section

REF No.	PART No.	DESCRIPTION	REF No.	PART No.	DESCRIPTION	REF No.	PART No.	DESCRIPTION
C101	658-0246-12	50V560pF	C253	658-0240-12	0.1uF 10WV	C544	658-0240-12	0.1uF 10WV
C102	658-0240-12	0.1uF 10WV	C261	658-0240-12	0.1uF 10WV	C545	658-0240-12	0.1uF 10WV
C103	658-0246-13	50V0.001uF	C262	658-0240-12	0.1uF 10WV	C546	658-0240-12	0.1uF 10WV
C104	658-0246-13	50V0.001uF	C263	658-0240-12	0.1uF 10WV	C547	658-0240-12	0.1uF 10WV
C113	658-0240-12	0.1uF 10WV	C264	658-0240-12	0.1uF 10WV	C548	658-0240-12	0.1uF 10WV
C114	658-0240-13	10uF 6.3WV	C265	658-0240-12	0.1uF 10WV	C551	658-0240-12	0.1uF 10WV
C115	658-0240-13	10uF 6.3WV	C266	658-0240-12	0.1uF 10WV	C552	658-0240-12	0.1uF 10WV
C116	658-0246-13	50V0.001uF	C271	658-0240-12	0.1uF 10WV	C553	658-0240-12	0.1uF 10WV
C117	658-0240-13	10uF 6.3WV	C272	658-0240-12	0.1uF 10WV	C554	658-0240-12	0.1uF 10WV
C121	658-0246-14	50V6pF	C275	658-0240-12	0.1uF 10WV	C555	658-0240-12	0.1uF 10WV
C122	658-0240-13	10uF 6.3WV	C311	658-0240-12	0.1uF 10WV	C556	658-0240-12	0.1uF 10WV
C124	658-0240-12	0.1uF 10WV	C312	658-0244-07	Ceramic,50WV0.1uF	C557	658-0246-22	50V100pF
C125	658-0240-12	0.1uF 10WV	C313	658-0240-12	0.1uF 10WV	C561	658-0240-12	0.1uF 10WV
C126	658-0237-28	25V0.027uF	C314	658-0244-07	Ceramic,50WV0.1uF	C601	658-0240-42	1uF 6.3WV
C127	658-0237-27	16V0.047uF	C315	658-0240-12	0.1uF 10WV	C602	658-0246-22	50V100pF
C128	658-0240-12	0.1uF 10WV	C316	658-0240-12	0.1uF 10WV	C603	658-0246-22	50V100pF
C129	658-0246-22	50V100pF	C321	658-0240-12	0.1uF 10WV	C604	658-0246-22	50V100pF
C131	658-0246-12	50V560pF	C322	658-0244-07	Ceramic,50WV0.1uF	C605	658-0246-22	50V100pF
C132	658-0246-12	50V560pF	C323	658-0240-12	0.1uF 10WV	C606	658-0246-22	50V100pF
C133	658-0240-12	0.1uF 10WV	C324	658-0240-12	0.1uF 10WV	C607	658-0246-22	50V100pF
C134	658-0240-12	0.1uF 10WV	C325	658-0240-12	0.1uF 10WV	C608	658-0246-22	50V100pF
C136	658-0240-12	0.1uF 10WV	C401	658-0246-13	50V0.001uF	C609	658-0246-22	50V100pF
C137	658-0240-13	10uF 6.3WV	C402	658-0246-13	50V0.001uF	C611	658-0240-42	1uF 6.3WV
C141	658-0247-06	16V0.01uF	C403	658-0246-13	50V0.001uF	C612	658-0246-22	50V100pF
C142	658-0240-12	0.1uF 10WV	C404	658-0246-13	50V0.001uF	C613	658-0246-22	50V100pF
C143	658-0240-12	0.1uF 10WV	C405	658-0240-12	0.1uF 10WV	C614	658-0246-22	50V100pF
C144	658-0240-12	0.1uF 10WV	C406	658-0240-14	47uF 6.3WV	C616	658-0246-22	50V100pF
C145	658-0240-12	0.1uF 10WV	C411	658-0244-07	Ceramic,50WV0.1uF	C621	658-0240-12	0.1uF 10WV
C151	658-0240-12	0.1uF 10WV	C412	658-0240-43	10uF 16WV	C622	658-0246-22	50V100pF
C152	658-0237-21	6.3V47uF Tan	C413	658-0240-42	1uF 6.3WV	C623	658-0240-12	0.1uF 10WV
C153	658-0240-12	0.1uF 10WV	C414	658-0240-14	47uF 6.3WV	C631	658-0240-12	0.1uF 10WV
C154	658-0237-21	6.3V47uF Tan	C421	658-0244-07	Ceramic,50WV0.1uF	C641	658-0240-12	0.1uF 10WV
C201	658-0240-12	0.1uF 10WV	C422	658-0240-14	47uF 6.3WV	C651	658-0240-12	0.1uF 10WV
C202	658-0240-12	0.1uF 10WV	C423	658-0240-12	0.1uF 10WV	C652	658-0240-13	10uF 6.3WV
C203	658-0240-12	0.1uF 10WV	C431	658-0240-12	0.1uF 10WV	C653	658-0240-12	0.1uF 10WV
C204	658-0240-12	0.1uF 10WV	C432	658-0240-12	0.1uF 10WV	C701	658-0240-44	330PF 50WV
C205	658-0240-12	0.1uF 10WV	C433	658-0240-12	0.1uF 10WV	C702	658-0240-44	330PF 50WV
C206	658-0246-22	50V100pF	C441	658-0240-12	0.1uF 10WV	C703	658-0246-23	50WV120PF
C207	658-0240-13	10uF 6.3WV	C501	658-0246-22	50V100pF	C722	658-0240-13	10uF 6.3WV
C208	658-0240-13	10uF 6.3WV	C502	658-0246-22	50V100pF	C723	658-0240-12	0.1uF 10WV
C211	658-0240-12	0.1uF 10WV	C503	658-0246-22	50V100pF	CN101	658-0247-09	Connector 30P
C213	658-0246-22	50V100pF	C504	658-0246-22	50V100pF	CN201	658-0247-10	Connector 40P
C214	658-0246-22	50V100pF	C505	658-0246-22	50V100pF	CN301	658-0247-11	Connector 4P
C215	658-0247-06	16V0.01uF	C506	658-0246-22	50V100pF	CN302	658-0246-27	Connector 2P
C216	658-0247-06	16V0.01uF	C507	658-0246-22	50V100pF	CN303	658-0247-12	Connector 20P
C221	658-0246-17	Ceramic,50WV22PF	C508	658-0246-22	50V100pF	CN401	658-0247-13	Connector 12P
C222	658-0246-17	Ceramic,50WV22PF	C509	658-0246-22	50V100pF	CN701	658-0247-09	Connector 30P
C223	658-0240-12	0.1uF 10WV	C511	658-0240-13	10uF 6.3WV	D311	658-0237-19	MA721TX
C224	658-0240-12	0.1uF 10WV	C512	658-0240-13	10uF 6.3WV	IC101	658-0237-01	AN8703FH-V
C225	658-0240-12	0.1uF 10WV	C513	658-0246-22	50V100pF	IC201	658-0240-01	MNZS26EDCUB
C226	658-0240-12	0.1uF 10WV	C514	658-0240-12	0.1uF 10WV	IC271	658-0246-03	C0JBAA000372
C231	658-0247-06	16V0.01uF	C515	658-0246-22	50V100pF	IC275	658-0244-01	C0JBAZ001014
C232	658-0240-12	0.1uF 10WV	C516	658-0240-12	0.1uF 10WV	IC311	658-0237-08	C0GBY0000012
C234	658-0247-06	16V0.01uF	C517	658-0246-22	50V100pF	IC321	658-0237-09	C0GBH0000006
C235	658-0240-13	10uF 6.3WV	C518	658-0240-12	0.1uF 10WV	IC411	658-0246-05	C0CBADC00084
C236	658-0240-12	0.1uF 10WV	C521	658-0240-12	0.1uF 10WV	IC421	658-0244-02	YEAM17805FP
C237	658-0247-07	16V0.022uF	C522	658-0240-13	10uF 6.3WV	IC431	658-0246-06	C0JBAA000356
C239	658-0247-08	50V47pF	C523	658-0240-13	10uF 6.3WV	IC441	658-0246-07	MN13821SJP
C240	658-0240-12	0.1uF 10WV	C524	658-0240-12	0.1uF 10WV	IC501	658-0247-05	C1AB00002402
C241	658-0240-12	0.1uF 10WV	C525	658-0240-12	0.1uF 10WV	IC561	658-0244-01	C0JBAZ001014
C242	658-0246-13	50V0.001uF	C526	658-0240-13	10uF 6.3WV	IC601	658-0246-09	C3ABPJ000074
C243	658-0240-12	0.1uF 10WV	C527	658-0240-12	0.1uF 10WV	IC621	658-0246-10	C3FBMD000282
C244	658-0237-34	50V0.0056uF	C528	658-0240-12	0.1uF 10WV	IC631	658-0240-37	C0JBAH0000082
C245	658-0246-13	50V0.001uF	C529	658-0240-12	0.1uF 10WV	IC641	658-0240-37	C0JBAH0000082
C246	658-0246-13	50V0.001uF	C530	658-0240-13	10uF 6.3WV	IC651	658-0246-11	C3GBCA000001
C247	658-0246-13	50V0.001uF	C531	658-0240-13	10uF 6.3WV	IC652	658-0240-39	C0JBAB000255
C248	658-0246-12	50V560pF	C532	658-0240-12	0.1uF 10WV	IC721	658-0245-02	C0FBBK000048
C249	658-0246-12	50V560pF	C534	658-0240-12	0.1uF 10WV	L101	658-0240-30	JOJCC0000152
C250	658-0240-12	0.1uF 10WV	C541	658-0240-13	10uF 6.3WV	L102	658-0240-30	JOJCC0000152
C251	658-0246-20	50V0.0022uF	C542	658-0240-13	10uF 6.3WV	L201	658-0240-30	JOJCC0000152
C252	658-0246-21	50V470pF	C543	658-0240-12	0.1uF 10WV	L401	658-0240-32	YELTBMHS800T

REF No.	PART No.	DESCRIPTION	REF No.	PART No.	DESCRIPTION	REF No.	PART No.	DESCRIPTION
L403	658-0240-32	YELTBMHS800T	R223	033-3931-15	1/16W 39k ohm	R431	658-0240-23	100k ohm 1/16W
L404	658-0240-32	YELTBMHS800T	R227	033-0000-05	1/16W 0 ohm	R441	033-4731-15	1/16W 47k ohm
L406	658-0240-32	YELTBMHS800T	R231	033-1021-15	1/16W 1k ohm	R501	033-1011-15	1/16W 100 ohm
L511	658-0240-52	JOJCC0000042	R232	033-1531-15	1/16W 15k ohm	R511	658-0240-47	33 ohm 1/16W
L512	658-0240-56	JOMAB0000134	R234	033-1051-15	1/16W 1M ohm	R512	033-1011-15	1/16W 100 ohm
L513	658-0240-30	JOJCC0000152	R235	033-5621-15	1/16W 5.6k ohm	R513	033-1011-15	1/16W 100 ohm
L514	658-0240-30	JOJCC0000152	R236	033-5621-15	1/16W 5.6k ohm	R514	658-0240-18	150 ohm 1/16W
L515	658-0240-30	JOJCC0000152	R251	033-1031-15	1/16W 10k ohm	R515	033-3931-15	1/16W 39k ohm
L516	658-0240-30	JOJCC0000152	R252	033-4731-15	1/16W 47k ohm	R516	033-4731-15	1/16W 47k ohm
L541	658-0240-30	JOJCC0000152	R253	033-1531-15	1/16W 15k ohm	R517	033-4731-15	1/16W 47k ohm
L701	658-0240-46	470PF 50WV	R254	033-1531-15	1/16W 15k ohm	R518	033-2201-15	1/16W 22 ohm
L702	658-0240-46	470PF 50WV	R255	033-1531-15	1/16W 15k ohm	R519	033-2201-15	1/16W 22 ohm
L703	658-0240-57	JOMAB0000015	R261	658-0237-56	Resistor Network	R521	033-1011-15	1/16W 100 ohm
L704	658-0240-57	JOMAB0000015	R262	658-0244-14	NetworkResistor	R522	658-0240-47	33 ohm 1/16W
L705	658-0246-31	G1JC2R2K00013	R263	658-0244-09	Chip,1/16W27 ohm	R523	116-1001-10	1/8W 10 ohm
L721	658-0246-32	JOJCC0000159	R264	033-2201-15	1/16W 22 ohm	R524	658-0240-47	33 ohm 1/16W
L722	658-0246-32	JOJCC0000159	R265	033-2201-15	1/16W 22 ohm	R525	658-0240-47	33 ohm 1/16W
L723	658-0246-32	JOJCC0000159	R266	033-0000-05	1/16W 0 ohm	R526	658-0240-18	150 ohm 1/16W
L724	658-0246-32	JOJCC0000159	R267	033-1031-15	1/16W 10k ohm	R527	658-0244-11	Chip,1/16W1k ohm
Q151	658-0237-14	TR 2SB766ATX	R268	033-1021-15	1/16W 1k ohm	R528	658-0240-48	75 ohm 1/10W
Q152	658-0237-14	TR 2SB766ATX	R269	033-1031-15	1/16W 10k ohm	R541	033-3321-15	1/16W 3.3k ohm
Q153	658-0240-10	B1GDCFN0007	R270	033-3931-15	1/16W 39k ohm	R543	033-4711-15	1/16W 470 ohm
Q154	658-0240-11	B1GBCFN0009	R271	658-0237-56	Resistor Network	R552	033-1031-15	1/16W 10k ohm
Q251	658-0244-04	Transistor B3HB00000023	R272	658-0237-58	Resistor Network	R553	033-1031-15	1/16W 10k ohm
Q252	658-0244-04	Transistor B3HB00000023	R273	658-0237-58	Resistor Network	R554	033-2021-15	1/16W 2k ohm
Q253	658-0244-04	Transistor B3HB00000023	R274	658-0244-14	NetworkResistor	R555	033-3931-15	1/16W 39k ohm
Q301	658-0237-18	TR B1GBGEEA0001	R275	033-2201-15	1/16W 22 ohm	R556	033-3931-15	1/16W 39k ohm
Q321	658-0244-05	Transistor B1GBGFGG0001	R276	033-2201-15	1/16W 22 ohm	R557	033-3931-15	1/16W 39k ohm
R101	033-1231-15	1/16W 12k ohm	R277	033-2201-15	1/16W 22 ohm	R570	033-4711-15	1/16W 470 ohm
R102	033-1231-15	1/16W 12k ohm	R278	033-2201-15	1/16W 22 ohm	R571	033-4711-15	1/16W 470 ohm
R103	658-0237-41	1/16W 24k ohm	R279	033-2201-15	1/16W 22 ohm	R572	033-4711-15	1/16W 470 ohm
R104	658-0237-42	1/16W 3.9k ohm Metal	R280	033-2201-15	1/16W 22 ohm	R573	033-4711-15	1/16W 470 ohm
R106	658-0237-43	1/16W 18k ohm Metal	R281	033-2201-15	1/16W 22 ohm	R574	033-4711-15	1/16W 470 ohm
R107	033-4721-15	1/16W 4.7k ohm	R282	033-2201-15	1/16W 22 ohm	R575	033-4711-15	1/16W 470 ohm
R110	033-2021-15	1/16W 2k ohm	R283	033-2201-15	1/16W 22 ohm	R576	033-4711-15	1/16W 470 ohm
R121	033-1221-15	1/16W 1.2k ohm	R284	033-2201-15	1/16W 22 ohm	R577	033-4711-15	1/16W 470 ohm
R131	033-1051-15	1/16W 1M ohm	R285	033-2201-15	1/16W 22 ohm	R621	658-0240-18	150 ohm 1/16W
R132	033-1051-15	1/16W 1M ohm	R286	033-2201-15	1/16W 22 ohm	R623	033-1031-15	1/16W 10k ohm
R141	033-1031-15	1/16W 10k ohm	R287	033-2201-15	1/16W 22 ohm	R631	658-0240-50	75 ohm 1/16W
R142	033-1031-15	1/16W 10k ohm	R288	033-2201-15	1/16W 22 ohm	R651	033-2021-15	1/16W 2k ohm
R151	033-2291-15	1/16W 2.2 ohm	R289	033-2201-15	1/16W 22 ohm	R701	033-1011-15	1/16W 100 ohm
R152	658-0237-40	1/2W 20 ohm	R290	033-2201-15	1/16W 22 ohm	R702	033-1011-15	1/16W 100 ohm
R153	033-2291-15	1/16W 2.2 ohm	R291	033-3931-15	1/16W 39k ohm	R703	033-1011-15	1/16W 100 ohm
R154	658-0237-40	1/2W 20 ohm	R292	033-3931-15	1/16W 39k ohm	R704	033-0000-05	1/16W 0 ohm
R155	033-1021-15	1/16W 1k ohm	R293	033-3931-15	1/16W 39k ohm	R705	033-0000-05	1/16W 0 ohm
R156	033-3331-15	1/16W 33k ohm	R294	033-3931-15	1/16W 39k ohm	R706	033-0000-05	1/16W 0 ohm
R157	033-2231-15	1/16W 22k ohm	R295	033-3931-15	1/16W 39k ohm	R707	033-1011-15	1/16W 100 ohm
R201	033-4711-15	1/16W 470 ohm	R296	033-3931-15	1/16W 39k ohm	R708	033-1011-15	1/16W 100 ohm
R202	033-1031-15	1/16W 10k ohm	R297	033-3931-15	1/16W 39k ohm	R709	033-2211-15	1/16W 220 ohm
R203	033-1031-15	1/16W 10k ohm	R298	033-3931-15	1/16W 39k ohm	R711	118-0000-10	0 ohm
R212	658-0240-18	150 ohm 1/16W	R301	033-1811-15	1/16W 180 ohm	R712	118-0000-10	0 ohm
R214	033-4721-15	1/16W 4.7k ohm	R302	033-1811-15	1/16W 180 ohm	R713	033-2211-15	1/16W 220 ohm
R215	033-4721-15	1/16W 4.7k ohm	R303	033-1811-15	1/16W 180 ohm	R714	033-2211-15	1/16W 220 ohm
R216	033-2731-15	1/16W 27k ohm	R311	033-4731-15	1/16W 47k ohm	R715	033-2211-15	1/16W 220 ohm
R217	033-2731-15	1/16W 27k ohm	R312	033-1811-15	1/16W 180 ohm	R716	033-2211-15	1/16W 220 ohm
R218	033-1031-15	1/16W 10k ohm	R313	033-6821-15	1/16W 6.8k ohm	R717	033-1011-15	1/16W 100 ohm
R219	033-3321-15	1/16W 3.3k ohm	R314	033-5621-15	1/16W 5.6k ohm	R718	033-1011-15	1/16W 100 ohm
R220	033-3321-15	1/16W 3.3k ohm	R315	033-5621-15	1/16W 5.6k ohm	R721	033-1011-15	1/16W 100 ohm
R221	033-1051-15	1/16W 1M ohm	R316	033-1031-15	1/16W 10k ohm	R722	033-1011-15	1/16W 100 ohm
R222	033-4711-15	1/16W 470 ohm	R317	033-5621-15	1/16W 5.6k ohm	R723	033-1011-15	1/16W 100 ohm
			R321	033-4721-15	1/16W 4.7k ohm	R724	033-1011-15	1/16W 100 ohm
			R322	033-4731-15	1/16W 47k ohm	R725	033-1011-15	1/16W 100 ohm
			R323	658-0244-10	Chip,1/8W0.51 ohm	SW301	658-0244-13	Switch
			R324	033-1011-15	1/16W 100 ohm			K0L1BA000104
			R325	033-1011-15	1/16W 100 ohm	XL201	658-0237-52	H0J168500003
			R327	117-0000-10	0 ohm	XL501	658-0239-02	Crystal Oscillator