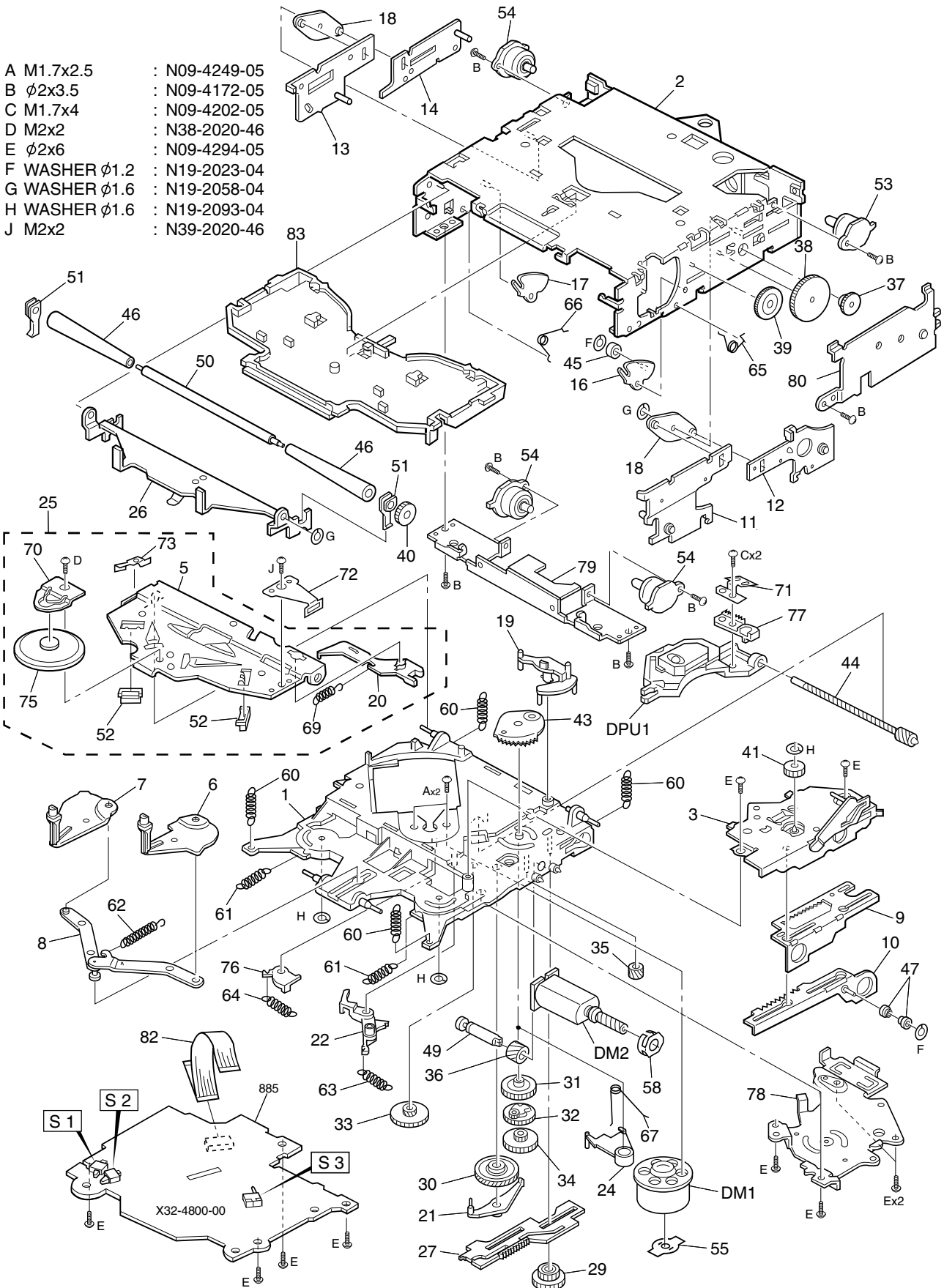


EXPLODED VIEW (MECHANISM)

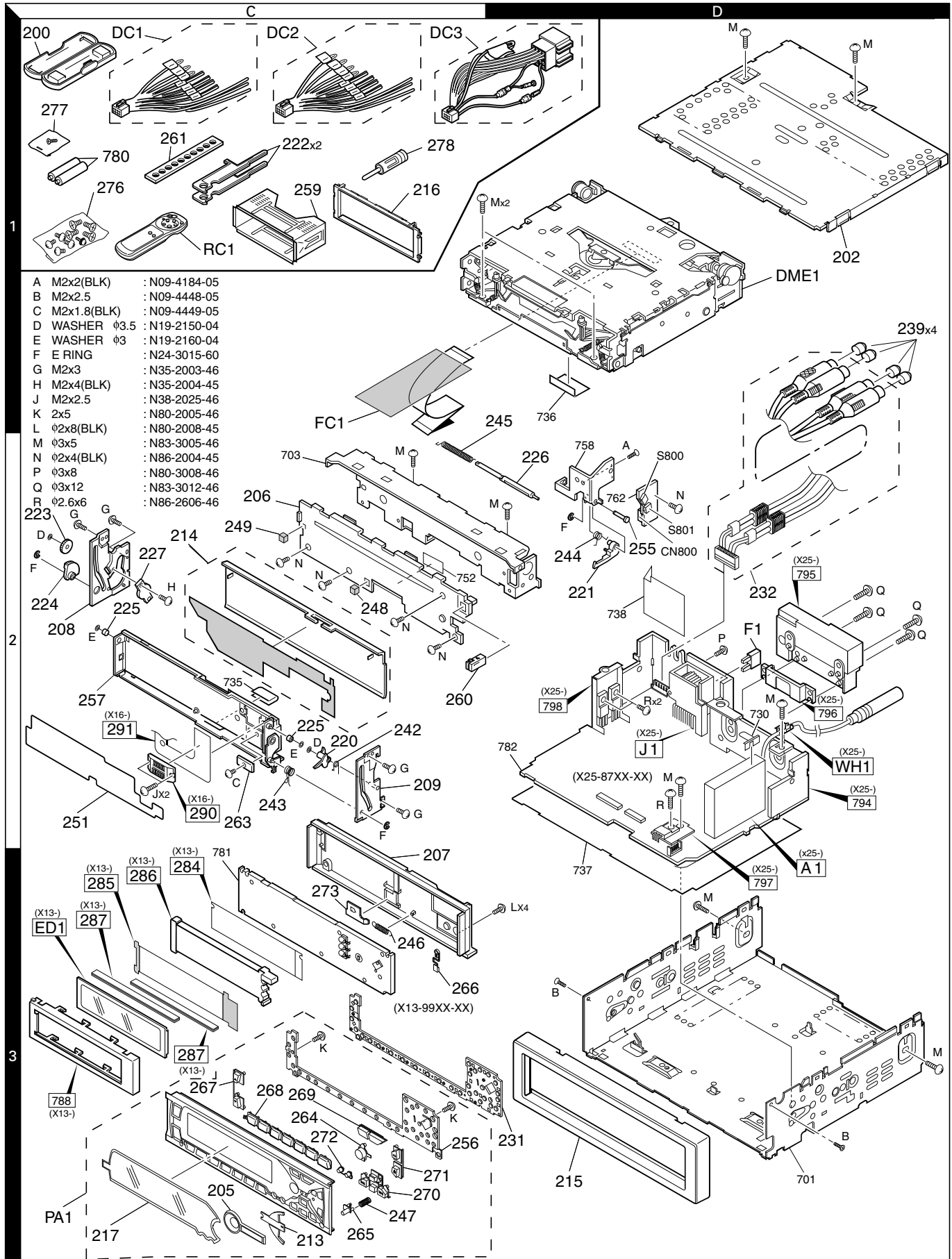
- | | | | |
|---|-------------|---|-------------|
| A | M1.7x2.5 | : | N09-4249-05 |
| B | φ2x3.5 | : | N09-4172-05 |
| C | M1.7x4 | : | N09-4202-05 |
| D | M2x2 | : | N38-2020-46 |
| E | φ2x6 | : | N09-4294-05 |
| F | WASHER φ1.2 | : | N19-2023-04 |
| G | WASHER φ1.6 | : | N19-2058-04 |
| H | WASHER φ1.6 | : | N19-2093-04 |
| J | M2x2 | : | N39-2020-46 |



Parts with the exploded numbers larger than 700 are not supplied.

KDC-V6017,V6090R/RV,V7018R

EXPLODED VIEW (UNIT)



KDC-V6017, V6090R/R, V7018R

PARTS LIST

* New Parts

Parts without **Parts No.** are not supplied.

Les articles non mentionnes dans le **Parts No.** ne sont pas fournis.

Teile ohne **Parts No.** werden nicht geliefert.

Ref. No.	A d d	N e w	Parts No.	Description	Dest inati on	Ref. No.	A d d	N e w	Parts No.	Description	Dest inati on
KDC-V6017, V6090R/R, V7018R						△	F1	2D	F52-0011-05	FUSE(MINI BLADE TYPE) (10A)	K1M2E2
200	1C		A02-1497-03	PLASTIC CABINET ASSY		242	2C	*	G01-3057-04	TORSION COIL SPRING (SW LEVER)	
202	1D	*	A52-0779-02	TOP PLATE		243	2C	*	G01-3058-04	TORSION COIL SPRING (MAIN)	
205	3C		A21-4073-03	DRESSING PANEL		244	2D	*	G01-3059-04	TORSION COIL SPRING (RELEASE)	
206	2C	*	A22-2853-23	SUB PANEL ASSY		245	1D	*	G01-3060-04	TORSION COIL SPRING (FPC ROLL)	
207	3C		A46-1692-01	REAR COVER		246	3C	*	G01-3069-04	EXTENSION SPRING (LOCK)	
208	2C	*	A50-1019-04	SIDE PLATE ASSY (L)		247	3C	*	G01-3070-04	COMPRESSION SPRING (RELEASE)	
209	2C	*	A50-1022-04	SIDE PLATE ASSY (R)		248	2C	*	G11-1919-04	CUSHION (SUB PANEL MIDDLE)	
PA1	3C	*	A64-2164-02	PANEL ASSY	K1	249	2C	*	G11-1920-24	CUSHION (SUB PANEL LEFT)	
PA1	3C	*	A64-2168-02	PANEL ASSY	M2	251	2C	*	G16-1178-04	SHEET (CAUTION)	
PA1	3C	*	A64-2172-02	PANEL ASSY	E2E1	-		*	H10-4762-12	POLYSTYRENE FOAMED FIXTURE	E1
RC1	1C		A70-0883-05	REMOTE CONTROLLER ASSY(RC-500)	K1M2	-		*	H10-4763-12	POLYSTYRENE FOAMED FIXTURE	E2
213	3C	*	B03-3071-03	DRESSING PLATE		-		*	H10-4764-12	POLYSTYRENE FOAMED FIXTURE	K1M2
214	2C	*	B03-3075-02	DRESSING PLATE (BLK)		-		*	H25-0329-04	PROTECTION BAG (280X450X0.03)	K1M2E2
215	3D	*	B07-3007-03	ESCUTCHEON ASSY (BLK)		-		*	H25-0337-04	PROTECTION BAG (180X300X0.03)	
216	1C		B07-3010-02	ESCUTCHEON (J CAR)	K1M2	-			H25-1108-04	PROTECTION BAG (100X300X0.03)	
217	3C	*	B10-3266-01	FRONT GLASS	K1	-			H25-1111-04	PROTECTION BAG (280X450X0.03)	
217	3C	*	B10-3270-01	FRONT GLASS	M2	-		*	H54-2002-03	ITEM CARTON CASE	E1
-	3C	*	B10-3274-01	FRONT GLASS	E2E1	-		*	H54-2005-03	ITEM CARTON CASE	E2
-			B46-0100-50	WARRANTY CARD	K1M2E1	-		*	H54-2007-03	ITEM CARTON CASE	E1
-			B46-0606-04	ID CARD	K1	-		*	H54-2007-03	ITEM CARTON CASE	K1
-			B46-0612-14	ID CARD	M2	-		*	H54-2012-03	ITEM CARTON CASE	M2
-			B46-0632-04	ID CARD	E2E1	255	2D	*	J12-1156-04	PIN (RELEASE)	
-			B58-1376-04	CAUTION CARD		256	3C	*	J19-5036-02	HOLDER	
-		*	B64-1867-00	INST. MANUAL (ENG,RUS,POL)	E2	257	2C	*	J21-9613-12	MOUNTING HARDWARE ASSY (PANEL)	
-		*	B64-1868-00	INST. MANUAL (CZE,HUN,CRO)	E2	259	1C	*	J21-9641-13	MOUNTING HARDWARE ASSY	
-		*	B64-1869-00	INST. MANUAL (SWE,FIN)	E2	260	2C		J52-0604-05	PUSH LATCH	
-		*	B64-1873-00	INST. MANUAL (ENGLISH)	E1	261	1C		J54-0606-04	STAY	K1M2
-		*	B64-1874-00	INST. MANUAL (FRE,GER,DUT)	E1	263	2C	*	J90-0999-04	GUIDE (PANEL MECHA)	
-		*	B64-1875-00	INST. MANUAL (ITA,SPA,POR)	E1	264	3C		K24-3647-04	KNOB (DB)	
-		*	B64-1876-00	INST. MANUAL (ENG,FRE,SPA)	K1	265	3C		K24-3648-04	KNOB (RELEASE)	
-		*	B64-1877-00	INST. MANUAL (ENG,CHI)	M2	266	3C		K24-3658-04	KNOB (RELEASE2)	
-		*	B64-1878-00	INST. MANUAL (ARABIC)	M2	267	3C		K25-1222-03	KNOB (VOL)	
220	2C	*	D10-4557-04	LEVER (SRT POSITION SW)		268	3C		K25-1223-03	KNOB (PRESET)	
221	2D	*	D10-4558-04	ARM (RELEASE)		269	3C		K25-1224-03	KNOB (SRC)	
222	1C	*	D10-4562-04	LEVER		270	3C		K25-1225-03	KNOB (FM,AM)	
222	1C	*	D10-4621-04	LEVER	E1	271	3C		K25-1226-03	KNOB (EJECT)	
223	2C	*	D13-2117-04	GEAR (IDOL)		272	3C		K25-1227-03	KNOB (DISP)	
224	2C	*	D13-2118-04	GEAR (ARM)		273	3C		K29-7017-03	KNOB (LOCK)	
225	2C		D14-0751-04	ROLLER (PANEL)		276	1C		N99-1700-05	SCREW SET	K1M2
226	2D		D14-0752-03	ROLLER (FPC)		277	1C		N99-1704-05	SCREW SET	
227	2C		D39-0244-05	DAMPER		A	2D		N09-4184-05	MACHINE SCREW (M2X2 BLK)	
231	3D		E29-1824-02	CONDUCTIVE RUBBER (KEY)		B	3D		N09-4448-05	MACHINE SCREW (M2X2.5)	
232	2D	*	E30-4935-05	CORD WITH PINPLUG		C	2C		N09-4449-05	MACHINE SCREW (M2X1.8 BLK)	
CN800	2D		E41-0070-05	SOCKET FOR PIN ASSY (4P)		D	2C		N19-2150-04	FLAT WASHER (1.6X3.5X0.25)	
△ DC1	1C		E30-4940-05	DC CORD	K1	E	2C		N19-2160-04	FLAT WASHER (1.2X3.0X0.25)	
△ DC2	1C		E30-4941-05	DC CORD	M2	F	2C		N24-3015-60	E TYPE RETAINING RING	
△ DC3	1C		E30-4943-05	DC CORD	E2	G	2C		N35-2003-46	BINDING HEAD MACHINE SCREW	
△ DC3	1C	*	E30-4957-05	DC CORD	E1	H	2C		N35-2004-45	BINDING HEAD MACHINE SCREW	
FC1	1C	*	E39-0375-05	FLAT CABLE		J	2C		N38-2025-46	PAN HEAD MACHIN SCREW	
239	1D		F29-0049-05	INSULATING COVER		K	3C		N80-2005-46	PAN HEAD TAPTITE SCREW	
△ F1	2D		F52-0006-05	FUSE(MINI BLADE TYPE) (10A)		L	3D		N80-2008-45	PAN HEAD TAPTITE SCREW	
						M	1D		N83-3005-46	PAN HEAD TAPTITE SCREW	
						N	2C		N86-2004-45	BINDING HEAD TAPTITE SCREW	

K1: KDC-V6017 E1: KDC-V6090R E2: KDC-V6090RY M2: KDC-V7018R

△ indicates safety critical components.

KDC-V6017,V6090R/R,Y,V7018R

PARTS LIST

* New Parts

Parts without **Parts No.** are not supplied.

Les articles non mentionnes dans le **Parts No.** ne sont pas fournis.

Teile ohne **Parts No.** werden nicht geliefert.

KDC-V6017,V6090R/R,Y,V7018R

Ref. No.	A d d	N e w	Parts No.	Description	Dest inati on
S800,801	2D		S68-0830-05	PUSH SWITCH	
278	1C		T90-0523-05	ANTENNA ADAPTOR	E2E1
278	1C		T90-0534-05	ANTENNA ADAPTOR	E2E1
DME1	1D	*	X92-4100-00	MECHANISM ASSY (DXM-1360)	
SWITCH UNIT (X13-99XX-XX)					
284	3C	*	B11-1322-04	REFLECTION SHEET	
285	3C	*	B11-1323-14	OPTICAL DIFFUSER	
286	3C	*	B19-2069-03	LIGHTING BOARD	
D1 -18			B30-1605-05	LED(2COLOR PG/RED)	
D19			B30-1564-05	LED(1608,BLUE)	
D20 -23			B30-1599-05	LED(NICHIA FULL)	
ED1	3C		B38-1053-05	LIQUID CRYSTAL	
C1			CC73GCH1H681J	CHIP C 680PF J	
C2 -4			CK73GB1C104K	CHIP C 0.10UF K	
C2 -4			CK73GB1H104K	CHIP C 0.10UF K	
C5 ,6			CK73GB1H103K	CHIP C 0.010UF K	
C8 -24			CK73GB1H103K	CHIP C 0.010UF K	
C25 ,26			CK73GB0J105K	CHIP C 1.0UF K	
C27			CK73GB1H222K	CHIP C 2200PF K	
287	3C		E29-1596-04	CONDUCTIVE RUBBER	
J1			E59-0835-05	RECTANGULAR PLUG (15P)	
L4			L40-1015-34	SMALL FIXED INDUCTOR (100UH)	
X1			L78-0556-05	RESONATOR (4.19MHZ)	
CP1			R90-1020-05	MULTI-COMP 22K X2	
CP3			R90-0723-05	MULTI-COMP 47K X2	
CP4			R90-0714-05	MULTI-COMP 10K X4	
CP5			R90-0726-05	MULTI-COMP 10K X2	
CP6			R90-0724-05	MULTI-COMP 1K X4	
CP7			R90-1022-05	MULTI-COMP 470 X2	
CP10			R90-0724-05	MULTI-COMP 1K X4	
CP11			R90-0718-05	MULTI-COMP 4.7K X4	
R2 ,3			RK73GB1J103J	CHIP R 10K J 1/16W	
R5 -7			RK73GB1J102J	CHIP R 1.0K J 1/16W	
R8			RK73FB2A101J	CHIP R 100 J 1/10W	
R9			RK73GB1J102J	CHIP R 1.0K J 1/16W	
R10			RK73GB1J223J	CHIP R 22K J 1/16W	
R11			RK73GB1J471J	CHIP R 470 J 1/16W	
R15			RK73GB1J104J	CHIP R 100K J 1/16W	
R16			RK73GB1J473J	CHIP R 47K J 1/16W	
R17			RK73GB1J103J	CHIP R 10K J 1/16W	
R18			RK73GB1J751J	CHIP R 750 J 1/16W	
R19			RK73GB1J433J	CHIP R 43K J 1/16W	
R20 -23			RK73GB1J222J	CHIP R 2.2K J 1/16W	
R24 -27			RK73EB2B331J	CHIP R 330 J 1/8W	
R28			RK73EB2B511J	CHIP R 510 J 1/8W	
R29 ,30			RK73EB2B561J	CHIP R 560 J 1/8W	
R31			RK73EB2B621J	CHIP R 620 J 1/8W	
R32 ,33			RK73EB2B561J	CHIP R 560 J 1/8W	
R34			RK73EB2B621J	CHIP R 620 J 1/8W	
R35 ,36			RK73EB2B561J	CHIP R 560 J 1/8W	
R37			RK73EB2B621J	CHIP R 620 J 1/8W	

Ref. No.	A d d	N e w	Parts No.	Description	Dest inati on
R38 ,39			RK73EB2B561J	CHIP R 560 J 1/8W	
R40			RK73EB2B621J	CHIP R 620 J 1/8W	
R41 -43			RK73GB1J473J	CHIP R 47K J 1/16W	
R44			RK73EB2B391J	CHIP R 390 J 1/8W	
R45			RK73EB2B331J	CHIP R 330 J 1/8W	
D24			MA3091-M	ZENER DIODE	
D26			DA204U	DIODE	
IC1			UPD780076GK501	MI-COM IC	
IC2			LC75878W	MOS-IC	
IC3			RS-171	ANALOGUE IC	
Q1			2SC2412K	TRANSISTOR	
Q1			2SD601A	TRANSISTOR	K1M2E2
Q2 ,3			2SD2114K	TRANSISTOR	
Q4			DTA144EUA	DIGITAL TRANSISTOR	
Q4			KRA304	DIGITAL TRANSISTOR	K1M2E2
Q5 -7			2SC2412K	TRANSISTOR	
Q5 -7			2SD601A	TRANSISTOR	K1M2E2
SUB-CIRCUIT UNIT (X16-118X-XX)					
290	2C		E58-0903-05	RECTANGULAR RECEPTACLE (15P)	
291	2C		J84-0121-12	FLEXIBLE PRINTED WIRING BOARD	
ELECTRIC UNIT (X25-87XX-XX)					
C1 ,2			C90-2606-05	ELECTRO 0.47UF 50WV	
C13 -16			C90-5296-05	NP-ELECT 0.22UF 50WV	
C17 ,18			C90-2597-05	ELECTRO 10UF 16WV	
C21 ,22			C90-2597-05	ELECTRO 10UF 16WV	
C23 ,24			C90-2606-05	ELECTRO 0.47UF 50WV	
C25			CE04CW1A470M	ELECTRO 47UF 10WV	
C33 ,34			CK73FB1E104K	CHIP C 0.10UF K	
C41			CK73GB1A474K	CHIP C 0.47UF K	
C42			CC73GCH1H151J	CHIP C 150PF J	
C43			CK73GB1E333K	CHIP C 0.033UF K	
C43			CK73GB1H333K	CHIP C 0.033UF K	
C44			CK73GB1H103K	CHIP C 0.010UF K	
C51			CK73GB1H222K	CHIP C 2200PF K	
C52			C90-5235-05	ELECTRO 2200UF 16WV	
C53			CK73GB1H103K	CHIP C 0.010UF K	
C54			C90-2594-05	ELECTRO 10UF 10WV	
C55			C90-2866-05	ELECTRO 220UF 16WV	
C56			CE04CW0J101M	ELECTRO 100UF 6.3WV	
C57			CE04CW1C101M	ELECTRO 100UF 16WV	
C58			CE04CW1A221M	ELECTRO 220UF 10WV	
C59			CE04CW1A101M	ELECTRO 100UF 10WV	
C71			CK73GB1H103K	CHIP C 0.010UF K	M2E2E1
C72			CK73GB1E223K	CHIP C 0.022UF K	
C72			CK73GB1H223K	CHIP C 0.022UF K	
C73			C90-2608-05	ELECTRO 1.0UF 50WV	
C74			C90-2602-05	ELECTRO 0.10UF 50WV	
C75			CK73GB1C683K	CHIP C 0.068UF K	
C75			CK73GB1H683K	CHIP C 0.068UF K	
C76			C90-2598-05	ELECTRO 3.3UF 25WV	
C77			CK73GB1H102K	CHIP C 1000PF K	
C78 -80			CK73GB1H103K	CHIP C 0.010UF K	
C83 -90			CK73GB1E473K	CHIP C 0.047UF K	

K1: KDC-V6017 E1: KDC-V6090R E2: KDC-V6090RY M2: KDC-V7018R

KDC-V6017, V6090R/RV, V7018R

PARTS LIST

* New Parts

Parts without **Parts No.** are not supplied.

Les articles non mentionnes dans le **Parts No.** ne sont pas fournis.

Teile ohne **Parts No.** werden nicht geliefert.

ELECTRIC UNIT (X25-87XX-XX)

Ref. No.	A d d	N e w	Parts No.	Description	Dest inati on
C83 -90			CK73GB1H473K	CHIP C 0.047UF K	
C91			C90-2606-05	ELECTRO 0.47UF 50WV	
C92			CE04CW1C220M	ELECTRO 22UF 16WV	
C93			CK73GB1C104K	CHIP C 0.10UF K	
C93			CK73GB1H104K	CHIP C 0.10UF K	
C94			C90-2608-05	ELECTRO 1.0UF 50WV	
C101			C90-2610-05	ELECTRO 2.2UF 50WV	
C102			CK73GB1H153K	CHIP C 0.015UF K	
C103			CE04CW1A470M	ELECTRO 47UF 10WV	
C104			CK73GB1H103K	CHIP C 0.010UF K	
C105,106			CK73GB1C104K	CHIP C 0.10UF K	
C105,106			CK73GB1H104K	CHIP C 0.10UF K	
C112,113			CK73GB1H103K	CHIP C 0.010UF K	
C120			CK73GB1H103K	CHIP C 0.010UF K	
C135			CK73GB1H103K	CHIP C 0.010UF K	M2E2E1
C136			C90-2594-05	ELECTRO 10UF 10WV	M2E2E1
C137			CC73GCH1H331J	CHIP C 330PF J	M2E2E1
C138			C90-2594-05	ELECTRO 10UF 10WV	M2E2E1
C139,140			CC73GCH1H100D	CHIP C 10PF D	M2E2E1
C152			CK73GB1A224K	CHIP C 0.22UF K	
C154-157			CK73GB1H103K	CHIP C 0.010UF K	
C163			CK73GB1H103K	CHIP C 0.010UF K	
C201			CK73GB1H103K	CHIP C 0.010UF K	
C202			CE04CW0J470M	ELECTRO 47UF 6.3WV	
C203			CK73EBOJ106K	CHIP C 10UF K	
C204			CC73GCH1H220J	CHIP C 22PF J	
C205			CC73GCH1H270J	CHIP C 27PF J	
C206			CK73GB0J105K	CHIP C 1.0UF K	
C211			CK73GB1H102K	CHIP C 1000PF K	
CN1			E40-3241-05	PIN ASSY (6P)	
CN5			E40-9550-05	FLAT CABLE CONNECTOR (22P)	
CN6			E40-9557-05	FLAT CABLE CONNECTOR (13P)	
CN7			E40-5448-05	PIN ASSY (4P)	
△ J1	2D		E58-0863-15	RECTANGULAR RECEPTACLE (16P)	
J4			E56-0834-05	CYLINDRICAL RECEPTACLE (13P)	
WH1	2D		E30-4804-05	CORD WITH PLUG	
WH1	2D	*	E30-4932-05	CORD WITH PLUG	K1M2E2
L1			L33-1170-05	CHOKO COIL ASSY	
L2 -7			L40-4795-91	SMALL FIXED INDUCTOR(4.7UH,J)	
L8			L33-1123-05	LINE FILTER COIL (52mH)	
L12			L92-0075-05	CHIP FERRITE	
X1			L78-0821-05	RESONATOR (20MHz)	
X2			L77-2738-05	CRYSTAL RESONATOR (32.768kHz)	
X3			L77-2002-05	CRYSTAL RESONATOR (4.332MHz)	M2E2E1
M	2D		N83-3005-46	PAN HEAD TAPTITE SCREW	
P	2D		N80-3008-46	PAN HEAD TAPTITE SCREW	
Q	2D		N83-3012-46	PAN HEAD TAPTITE SCREW	
R	2D		N86-2606-46	BINDING HEAD TAPTITE SCREW	
R1 ,2			RK73GB1J361J	CHIP R 360 J 1/16W	
R3 ,4			RK73GB1J223J	CHIP R 22K J 1/16W	
R5 ,6			RK73EB2B181J	CHIP R 180 J 1/8W	
R13 ,14			RK73GB1J361J	CHIP R 360 J 1/16W	
R15 ,16			RK73GB1J223J	CHIP R 22K J 1/16W	

Ref. No.	A d d	N e w	Parts No.	Description	Dest inati on
R17 ,18			RK73EB2B181J	CHIP R 180 J 1/8W	
R19 -22			RK73GB1J103J	CHIP R 10K J 1/16W	
R23 ,24			RK73EB2B100J	CHIP R 10 J 1/8W	
R25			RK73EB2B4R7J	CHIP R 4.7 J 1/8W	
R41			RK73GB1J472J	CHIP R 4.7K J 1/16W	
R42			RK73GB1J103J	CHIP R 10K J 1/16W	
R51			RK73GB1J101J	CHIP R 100 J 1/16W	
R52			RD14BB2C223J	RD 22K J 1/6W	
R53			RK73GB1J222J	CHIP R 2.2K J 1/16W	
R54			RK73GB1J223J	CHIP R 22K J 1/16W	
R55			RK73FB2A103J	CHIP R 10K J 1/10W	
R56			RK73FB2A102J	CHIP R 1.0K J 1/10W	
R57			RK73GB1J102J	CHIP R 1.0K J 1/16W	
R58 ,59			RD14DB2H2R2J	SMALL-RD 2.2 J 1/2W	
R60			RD14BB2C152J	RD 1.5K J 1/6W	
R61			RD14BB2C102J	RD 1.0K J 1/6W	
R62			RK73EB2B2R2J	CHIP R 2.2 J 1/8W	
R71			RK73EB2B102J	CHIP R 1.0K J 1/8W	M2E2E1
R72			RK73FB2A561J	CHIP R 560 J 1/10W	M2E2E1
R73			RK73GB1J223J	CHIP R 22K J 1/16W	M2E2E1
R74			RK73EB2B103J	CHIP R 10K J 1/8W	M2E2E1
R76			RK73GB1J473J	CHIP R 47K J 1/16W	M2E2E1
R77			RK73GB1J104J	CHIP R 100K J 1/16W	
R78			RK73EB2B103J	CHIP R 10K J 1/8W	
R79 ,80			RD14DB2H102J	SMALL-RD 1.0K J 1/2W	
R81			RD14BB2C223J	RD 22K J 1/6W	
R82			RD14BB2C472J	RD 4.7K J 1/6W	M2
R82 ,83			RD14BB2C472J	RD 4.7K J 1/6W	K1E2E1
R84 ,85			RD14DB2H102J	SMALL-RD 1.0K J 1/2W	K1
R86			RK73FB2A223J	CHIP R 22K J 1/10W	K1
R87			RK73FB2A243J	CHIP R 24K J 1/10W	
R88 ,89			RK73GB1J103J	CHIP R 10K J 1/16W	
R90 ,91			RK73GB1J223J	CHIP R 22K J 1/16W	
R92			RD14BB2C333J	RD 33K J 1/6W	
R93			RD14DB2H332J	SMALL-RD 3.3K J 1/2W	
R94			RK73GB1J104J	CHIP R 100K J 1/16W	
R101			RK73GB1J103J	CHIP R 10K J 1/16W	
R102			RK73GB1J101J	CHIP R 100 J 1/16W	
R103			RK73GB1J103J	CHIP R 10K J 1/16W	
R105			RK73GB1J473J	CHIP R 47K J 1/16W	
R106			RK73GB1J152J	CHIP R 1.5K J 1/16W	
R108			RK73GB1J622J	CHIP R 6.2K J 1/16W	
R113			RK73GB1J472J	CHIP R 4.7K J 1/16W	
R114			RK73GB1J102J	CHIP R 1.0K J 1/16W	
R115			RK73GB1J472J	CHIP R 4.7K J 1/16W	
R121			RK73EB2B101J	CHIP R 100 J 1/8W	
R122-126			RK73EB2B472J	CHIP R 4.7K J 1/8W	
R127,128			RK73EB2B101J	CHIP R 100 J 1/8W	
R129,130			RK73GB1J104J	CHIP R 100K J 1/16W	
R141,142			RK73EB2B102J	CHIP R 1.0K J 1/8W	
R143,144			RK73GB1J223J	CHIP R 22K J 1/16W	
R145			RK73GB1J473J	CHIP R 47K J 1/16W	
R161			RK73GB1J102J	CHIP R 1.0K J 1/16W	M2E2E1
R162			RK73GB1J472J	CHIP R 4.7K J 1/16W	M2E2E1
R170-173			RK73GB1J104J	CHIP R 100K J 1/16W	

K1: KDC-V6017 E1: KDC-V6090R E2: KDC-V6090RY M2: KDC-V7018R

△ indicates safety critical components.

KDC-V6017, V6090R/RV, V7018R

PARTS LIST

* New Parts

Parts without **Parts No.** are not supplied.

Les articles non mentionnés dans le **Parts No.** ne sont pas fournis.

Teile ohne **Parts No.** werden nicht geliefert.

ELECTRIC UNIT (X25-87XX-XX)

Ref. No.	A d d	N e w	Parts No.	Description	Dest inati on
R174			RK73GB1J222J	CHIP R 2.2K J 1/16W	
R175			RK73EB2B471J	CHIP R 470 J 1/8W	
R177			RK73EB2B102J	CHIP R 1.0K J 1/8W	
R178			RK73GB1J472J	CHIP R 4.7K J 1/16W	
R179			RK73GB1J105J	CHIP R 1.0M J 1/16W	
R180			RK73EB2B472J	CHIP R 4.7K J 1/8W	
R181			RK73EB2B471J	CHIP R 470 J 1/8W	
R182			RK73GB1J473J	CHIP R 47K J 1/16W	
R183			RK73EB2B471J	CHIP R 470 J 1/8W	
R184,185			RK73EB2B102J	CHIP R 1.0K J 1/8W	
R187			RK73EB2B102J	CHIP R 1.0K J 1/8W	
R189			RK73GB1J471J	CHIP R 470 J 1/16W	
R190			RK73GB1J104J	CHIP R 100K J 1/16W	
R191			RK73GB1J471J	CHIP R 470 J 1/16W	
R192			RK73GB1J104J	CHIP R 100K J 1/16W	
R193,194			RK73GB1J471J	CHIP R 470 J 1/16W	
R201			RK73GB1J221J	CHIP R 220 J 1/16W	
R202			RK73GB1J103J	CHIP R 10K J 1/16W	
R204-209			RK73GB1J102J	CHIP R 1.0K J 1/16W	
R210			RK73GB1J222J	CHIP R 2.2K J 1/16W	
R213,214			RK73GB1J104J	CHIP R 100K J 1/16W	K1
R214			RK73GB1J104J	CHIP R 100K J 1/16W	M2E2E1
R215			RK73GB1J471J	CHIP R 470 J 1/16W	
R219,220			RK73GB1J222J	CHIP R 2.2K J 1/16W	
R223,224			RK73GB1J104J	CHIP R 100K J 1/16W	
R225			RK73GB1J102J	CHIP R 1.0K J 1/16W	
R226			RK73GB1J222J	CHIP R 2.2K J 1/16W	
R227,228			RK73GB1J102J	CHIP R 1.0K J 1/16W	
R229			RK73GB1J104J	CHIP R 100K J 1/16W	
R230,231			RK73GB1J471J	CHIP R 470 J 1/16W	
R232			RK73GB1J104J	CHIP R 100K J 1/16W	
R233-236			RK73GB1J222J	CHIP R 2.2K J 1/16W	M2E2E1
R236			RK73GB1J222J	CHIP R 2.2K J 1/16W	K1
R237			RK73GB1J104J	CHIP R 100K J 1/16W	K1
R239-242			RK73GB1J104J	CHIP R 100K J 1/16W	K1
R239,240			RK73GB1J104J	CHIP R 100K J 1/16W	M2E2E1
R243			RK73GB1J222J	CHIP R 2.2K J 1/16W	
R245			RK73GB1J104J	CHIP R 100K J 1/16W	
R246			RK73GB1J473J	CHIP R 47K J 1/16W	
R247			RK73GB1J102J	CHIP R 1.0K J 1/16W	
R252,253			RK73GB1J102J	CHIP R 1.0K J 1/16W	
R254			RK73GB1J222J	CHIP R 2.2K J 1/16W	
R255			RK73GB1J225J	CHIP R 2.2M J 1/16W	
R258,259			RK73GB1J471J	CHIP R 470 J 1/16W	
R260			RK73GB1J102J	CHIP R 1.0K J 1/16W	
R261,262			RK73GB1J472J	CHIP R 4.7K J 1/16W	
R263,264			RK73GB1J103J	CHIP R 10K J 1/16W	
R269			RK73GB1J104J	CHIP R 100K J 1/16W	K1M2
R270,271			RK73GB1J104J	CHIP R 100K J 1/16W	E2E1
R271			RK73GB1J104J	CHIP R 100K J 1/16W	K1
R272,273			RK73GB1J104J	CHIP R 100K J 1/16W	M2
R273			RK73GB1J104J	CHIP R 100K J 1/16W	K1E2E1
R275			RK73GB1J104J	CHIP R 100K J 1/16W	
R281			RK73GB1J104J	CHIP R 100K J 1/16W	
R282			RK73GB1J103J	CHIP R 10K J 1/16W	

Ref. No.	A d d	N e w	Parts No.	Description	Dest inati on
W51 -56			R92-1252-05	CHIP R 0 OHM	K1M2
W51 -58			R92-1252-05	CHIP R 0 OHM	E2E1
W58			R92-1252-05	CHIP R 0 OHM	K1M2
D1			RM10ZLF	DIODE	
D2			MA4056(N)-M	ZENER DIODE	
D3			1GWJ43	DIODE	
D4			MA4091(N)-L	ZENER DIODE	
D5			HZS9A2L	ZENER DIODE	K1M2E2
D5			MA4082(N)-L	ZENER DIODE	
D6		*	HZS11B2	ZENER DIODE	K1M2E2
D6			MA4110-L	ZENER DIODE	
D11			HZS6B1	ZENER DIODE	M2E2
D11			MA4056-M	ZENER DIODE	M2E2E1
D12			HZS5B1	ZENER DIODE	M2E2
D12			MA4047-M	ZENER DIODE	M2E2E1
D13			AM01Z	DIODE	
D13			DSM1SD2	DIODE	
D13			ERA15-02	DIODE	
D14			1SS133	DIODE	
D15,16			AM01Z	DIODE	K1E2E1
D15,16			DSM1SD2	DIODE	K1E2E1
D15,16			ERA15-02	DIODE	K1E2E1
D16			AM01Z	DIODE	M2
D16			DSM1SD2	DIODE	M2
D16			ERA15-02	DIODE	M2
D17,18			MA4068(N)-M	ZENER DIODE	
D21 -28			AM01Z	DIODE	
D21 -28			DSM1SD2	DIODE	
D21 -28			ERA15-02	DIODE	
D30 -34			1SS133	DIODE	
D35,36			MA4068(N)-M	ZENER DIODE	
D37			IMSA-6801	SURGE ABSORBER	K1M2E2
D37			SA-C2012-101TB	SURGE ABSORBER	E1
D41,42			HZS6C1	ZENER DIODE	K1M2E2
D41,42			MA4062-L	ZENER DIODE	
D44			HZS6C1	ZENER DIODE	K1M2E2
D44			MA4062-L	ZENER DIODE	
D45 -47			MA4068(N)-M	ZENER DIODE	
D71			1SS133	DIODE	
IC1		*	UPD703033GC076	MI-COM IC	
IC2			TDA7407D	ANALOGUE IC	
IC3			HD74HC02FP	MOS-IC	K1M2E2
IC3			TC74HC02AF	IC	
IC4			TA8263BH	ANALOGUE IC	
IC7			TDA7479D	ANALOGUE IC	M2E2E1
IC8			S-80837ANNP	MOS-IC	
Q1,2			DTC143TUA	DIGITAL TRANSISTOR	
Q1,2		*	KRC410	DIGITAL TRANSISTOR	K1M2E2
Q5,6			DTC143TUA	DIGITAL TRANSISTOR	
Q5,6		*	KRC410	DIGITAL TRANSISTOR	K1M2E2
Q7			DTA124EUA	DIGITAL TRANSISTOR	
Q7		*	KRA303	DIGITAL TRANSISTOR	K1M2E2
Q11			2SC4081	TRANSISTOR	
Q11			2SD1819A	TRANSISTOR	K1M2E2

K1: KDC-V6017 E1: KDC-V6090R E2: KDC-V6090RY M2: KDC-V7018R

KDC-V6017, V6090R/RV, V7018R

PARTS LIST

* New Parts

Parts without **Parts No.** are not supplied.

Les articles non mentionnes dans le **Parts No.** ne sont pas fournis.

Teile ohne **Parts No.** werden nicht geliefert.

ELECTRIC UNIT (X25-87XX-XX)

Ref. No.	A d d	N e w	Parts No.	Description	Dest inati on
Q12			2SB1548(P)	TRANSISTOR	
Q13			2SA1576A	TRANSISTOR	
Q13			2SB1218A	TRANSISTOR	K1M2E2
Q14			2SC4081	TRANSISTOR	
Q14			2SD1819A	TRANSISTOR	K1M2E2
Q15			2SB1548(P)	TRANSISTOR	
Q16			DTC124EUA	DIGITAL TRANSISTOR	
Q16			UN5212	DIGITAL TRANSISTOR	K1M2E2
Q17			DTA124EUA	DIGITAL TRANSISTOR	
Q17		*	KRA303	DIGITAL TRANSISTOR	K1M2E2
Q18			2SD2375	TRANSISTOR	
Q19			DTC124EUA	DIGITAL TRANSISTOR	
Q19			UN5212	DIGITAL TRANSISTOR	K1M2E2
Q20			DTA124EUA	DIGITAL TRANSISTOR	
Q20		*	KRA303	DIGITAL TRANSISTOR	K1M2E2
Q21			2SB1184	TRANSISTOR	
Q22			2SC4081	TRANSISTOR	
Q22			2SD1819A	TRANSISTOR	K1M2E2
Q25			DTA123JK	DIGITAL TRANSISTOR	M2E2E1
Q25			KRA105S	DIGITAL TRANSISTOR	M2E2
Q26			DTC144EUA	DIGITAL TRANSISTOR	
Q26			UN5213	DIGITAL TRANSISTOR	K1M2E2
Q27			DTC114YUA	DIGITAL TRANSISTOR	M2E2E1
Q27			UN5214	DIGITAL TRANSISTOR	M2E2
Q27 ,28			DTC114YUA	DIGITAL TRANSISTOR	K1
Q27 ,28			UN5214	DIGITAL TRANSISTOR	K1
Q29			DTA124EUA	DIGITAL TRANSISTOR	
Q29		*	KRA303	DIGITAL TRANSISTOR	K1M2E2
Q30			2SA1576A	TRANSISTOR	
Q30			2SB1218A	TRANSISTOR	K1M2E2
Q31 ,32			2SB1277(Q,R)	TRANSISTOR	K1
Q32			2SB1277(Q,R)	TRANSISTOR	M2E2E1
Q33 ,34			2SC4081	TRANSISTOR	
Q33 ,34			2SD1819A	TRANSISTOR	K1M2E2
Q42			DTC124EUA	DIGITAL TRANSISTOR	
Q42			UN5212	DIGITAL TRANSISTOR	K1M2E2
Q43			2SC4081	TRANSISTOR	
Q43			2SD1819A	TRANSISTOR	K1M2E2
Q45 ,46			DTC124EUA	DIGITAL TRANSISTOR	
Q45 ,46			UN5212	DIGITAL TRANSISTOR	K1M2E2
Q47 ,48			2SB1277(Q,R)	TRANSISTOR	
Q51			DTC144EUA	DIGITAL TRANSISTOR	
Q51			UN5213	DIGITAL TRANSISTOR	K1M2E2
Q52			2SC4081	TRANSISTOR	M2E2E1
Q52			2SD1819A	TRANSISTOR	M2E2
Q55			2SA1576A	TRANSISTOR	
Q55			2SB1218A	TRANSISTOR	K1M2E2
Q56			DTC124EUA	DIGITAL TRANSISTOR	
Q56			UN5212	DIGITAL TRANSISTOR	K1M2E2
TH1			PTH9C42BD471Q	POSITIVE RESISTOR	
A1	3D		X86-3240-11	TUNER UNIT	K1
A1	3D		X86-3242-70	TUNER UNIT	M2E2
A1	3D		X86-3342-71	TUNER UNIT	E1

Ref. No.	A d d	N e w	Parts No.	Description	Dest inati on
CD PLAYER UNIT (X32-5030-00)					
C1 ,2			CK73FB1C105K	CHIP C	1.0UF K
C3			CK73FBJ475K	CHIP C	4.7UF K
C4			C92-0566-05	CHIP-TAN	10UF 6.3VW
C5			CC73GCH1H150J	CHIP C	15PF J
C6			CC73GCH1H020C	CHIP C	2.0PF C
C7			CK73GB1C104K	CHIP C	0.10UF K
C8			CK73FB1C105K	CHIP C	1.0UF K
C10			CK73GB1H472K	CHIP C	4700PF K
C11			CK73GB1H682K	CHIP C	6800PF K
C12			CK73GB1H332K	CHIP C	3300PF K
C13			CK73GB1C333K	CHIP C	0.033UF K
C14			CK73GB1H472K	CHIP C	4700PF K
C15			CK73GB1C473K	CHIP C	0.047U K
C16			CC73GCH1H151J	CHIP C	150PF J
C17			CK73GB1H472K	CHIP C	4700PF K
C18			CC73GCH1H221J	CHIP C	220PF J
C19 ,20			CK73GB1C104K	CHIP C	0.10UF K
C21			CK73FBJ475K	CHIP C	4.7UF K
C23			CK73GB1H102K	CHIP C	1000PF K
C24			CK73GB1E223K	CHIP C	0.022UF K
C25			CK73GB1H153K	CHIP C	0.015UF K
C26			CK73GBJ105K	CHIP C	1.0UF K
C28			CK73GBJ105K	CHIP C	1.0UF K
C29			CK73GB1C104K	CHIP C	0.10UF K
C33 -35			CK73GB1C104K	CHIP C	0.10UF K
C41			CK73EB1C225K	CHIP C	2.2UF K
C43			CK73GB1H153K	CHIP C	0.015UF K
C45			CK73GB1H153K	CHIP C	0.015UF K
C46			CK73GB1C473K	CHIP C	0.047UF K
C51			CK73FB1C105K	CHIP C	1.0UF K
C55			CK73GB1C104K	CHIP C	0.10UF K
C63			C92-1359-05	CHIP-TAN	10UF 16VW
C67 ,68			CK73GBJ105K	CHIP C	1.0UF K
C71 ,72			CK73GB1H471K	CHIP C	470PF K
C77 ,78			CC73GCH1H680J	CHIP C	68PF J
C79 ,80			CK73GB1H222K	CHIP C	2200PF K
C85			CK73GB1C104K	CHIP C	0.10UF K
C89			CK73GB1H222K	CHIP C	2200PF K
CN1			E40-9536-05	FLAT CABLE CONNECTOR (16P)	
CN2			E40-9339-05	FLAT CABLE CONNECTOR (22P)	
CN2			E41-0036-05	FLAT CABLE CONNECTOR (22P)	
CN2			E41-0129-05	FLAT CABLE CONNECTOR (22P)	
X1			L78-0572-05	RESONATOR (16.93MHZ)	
CP1 -3			R90-1019-05	MULTI-COMP	100 X2
R3			RK73GB1J272J	CHIP R	2.7K J 1/16W
R5			RK73GB1J361J	CHIP R	360 J 1/16W
R6			RK73GB1J272J	CHIP R	2.7K J 1/16W
R8			RK73EB2B4R7J	CHIP R	4.7 J 1/8W
R9			RK73EB2B100J	CHIP R	10 J 1/8W
R10 ,11			RK73GB1J103J	CHIP R	10K J 1/16W
R12			RK73GB1J912J	CHIP R	9.1K J 1/16W
R15			RK73GB1J824J	CHIP R	820K J 1/16W

K1: KDC-V6017 E1: KDC-V6090R E2: KDC-V6090RY M2: KDC-V7018R

△ indicates safety critical components.

KDC-V6017, V6090R/RV, V7018R

PARTS LIST

* New Parts

Parts without **Parts No.** are not supplied.

Les articles non mentionnés dans le **Parts No.** ne sont pas fournis.

Teile ohne **Parts No.** werden nicht geliefert.

CD PLAYER UNIT (X32-5030-00)

Ref. No.	A d d	N e w	Parts No.	Description	Dest inati on
R16			RK73GB1J223J	CHIP R 22K J 1/16W	
R17			RK73GB1J433J	CHIP R 43K J 1/16W	
R18			RK73GB1J392J	CHIP R 3.9K J 1/16W	
R19			RK73GB1J513J	CHIP R 51K J 1/16W	
R20			RK73GB1J104J	CHIP R 100K J 1/16W	
R21			RK73GB1J244J	CHIP R 240K J 1/16W	
R32			RK73GB1J104J	CHIP R 100K J 1/16W	
R34			RK73GB1J683J	CHIP R 68K J 1/16W	
R36			RK73GB1J151J	CHIP R 150 J 1/16W	
R37			RK73GB1J471J	CHIP R 470 J 1/16W	
R38			RK73GB1J224J	CHIP R 220K J 1/16W	
R44			RK73GB1J512J	CHIP R 5.1K J 1/16W	
R45			RK73GB1J103J	CHIP R 10K J 1/16W	
R46			RK73GB1J102J	CHIP R 1.0K J 1/16W	
R47			RK73GB1J103J	CHIP R 10K J 1/16W	
R49			RK73GB1J472J	CHIP R 4.7K J 1/16W	
R52			RK73GB1J104J	CHIP R 100K J 1/16W	
R54			RK73GB1J104J	CHIP R 100K J 1/16W	
R71			RK73GB1J103J	CHIP R 10K J 1/16W	
R72			RK73GB1J102J	CHIP R 1.0K J 1/16W	
R73			RK73GB1J473J	CHIP R 47K J 1/16W	
R75			RK73GB1J333J	CHIP R 33K J 1/16W	
R76			RK73GB1J622J	CHIP R 6.2K J 1/16W	
R77			RK73GB1J563J	CHIP R 56K J 1/16W	
R78			RK73GB1J243J	CHIP R 24K J 1/16W	
R81			RK73GB1J333J	CHIP R 33K J 1/16W	
R82			RK73GB1J123J	CHIP R 12K J 1/16W	
R83			RK73GB1J102J	CHIP R 1.0K J 1/16W	
R101,102			RK73GB1J332J	CHIP R 3.3K J 1/16W	
R103,104			RK73GB1J562J	CHIP R 5.6K J 1/16W	
R107,108			RK73FB2A331J	CHIP R 330 J 1/10W	
R117,118			RK73FB2A203J	CHIP R 20K J 1/10W	
R121,122			RK73FB2A203J	CHIP R 20K J 1/10W	
R125,126			RK73FB2A203J	CHIP R 20K J 1/10W	
R202			RK73GB1J104J	CHIP R 100K J 1/16W	
R213			RK73GB1J104J	CHIP R 100K J 1/16W	
R218			RK73GB1J473J	CHIP R 47K J 1/16W	
R233			RK73GB1J622J	CHIP R 6.2K J 1/16W	
R234			RK73GB1J103J	CHIP R 10K J 1/16W	
W17			R92-2053-05	CHIP R 0 J 1/8W	
S1 ,2			S68-0838-05	PUSH SWITCH	
S3			S68-0859-05	PUSH SWITCH	
D1 ,2			DAN202U	DIODE	
D3			DA204U	DIODE	
D4			DAN202U	DIODE	
IC1			AN22000AA	ANALOGUE IC	
IC2		*	MN662773KF1	MOS-IC	
IC4			BA5917AFP	ANALOGUE IC	
IC5			TA78L05F	IC(VOLTAGE REGULATOR/ +5V)	
IC6			NJM4565MD	IC(OP AMP X2)	
Q1			MCH6101	TRANSISTOR	
Q2			DTC124EUA	DIGITAL TRANSISTOR	
Q3 ,4			2SA1362(Y)	TRANSISTOR	
Q5			DTC124EUA	DIGITAL TRANSISTOR	

Ref. No.	A d d	N e w	Parts No.	Description	Dest inati on
MECHANISM ASSY (X92-4100-00)					
1		2A	A10-4482-01	CHASSIS	
2		1B	A10-4225-33	CHASSIS CALKING ASSY	
3		2B	A11-0915-43	SUB CHASSIS CALKING ASSY	
5		2A	D10-3082-13	ARM	
6		2A	D10-4306-14	ARM ASSY	
7		2A	D10-4305-14	ARM ASSY	
8		3A	D10-3087-44	ARM ASSY	
9		3B	D10-3092-03	SLIDER	
10		3B	D10-3093-04	SLIDER ASSY	
11		2B	D10-3095-04	SLIDER ASSY	
12		2B	D10-3096-04	SLIDER ASSY	
13		1A	D10-3099-24	SLIDER ASSY	
14		1A	D10-3100-04	SLIDER ASSY	
16		1B	D10-4004-04	LEVER ASSY	
17		1B	D10-4006-04	LEVER	
18		1A	D10-4007-04	LEVER	
19		2B	D10-4008-14	LEVER	
20		2A	D10-4009-23	ARM	
21		3A	D10-4010-04	LEVER	
22		3A	D10-4307-04	LEVER ASSY	
24		3B	D10-4050-04	ARM	
25		2A	D10-4038-23	ARM ASSY	
26		2A	D10-4123-24	LEVER ASSY	
27		3A	D13-1442-03	RACK (GEAR)	
29		3B	D13-1231-04	GEAR	
30		3A	D13-1240-04	GEAR	
31		3B	D13-1233-04	GEAR	
32		3B	D13-1234-14	GEAR ASSY	
33		3A	D13-1441-03	GEAR	
34		3B	D13-1232-04	GEAR	
35		3B	D13-1241-04	GEAR	
36		3A	D13-1242-04	GEAR	
37		1B	D13-1243-04	GEAR	
38		1B	D13-1244-04	GEAR	
39		1B	D13-1245-14	GEAR	
40		2A	D13-1246-04	GEAR	
41		2B	D13-1247-04	GEAR	
43		2B	D13-1249-04	GEAR ASSY	
44		2B	D13-1341-04	GEAR ASSY (LEAD SCREW)	
45		1B	D14-0668-04	ROLLER	
46		2A	D14-0670-04	ROLLER	
47		3B	D14-0674-04	ROLLER	
49		3A	D21-2228-14	SHAFT	
50		1A	D21-2229-04	SHAFT	
51		1A	D23-0925-24	RETAINER	
52		2A	D32-0614-04	STOPPER	
53		1B	D39-0223-05	DAMPER (YEL)	
54		2B	D39-0224-05	DAMPER (BLK)	
55		3B	F09-1246-04	SHEET	
58		3B	F09-1266-14	SHEET	
60		2A	G01-2770-04	EXTENSION SPRING	
61		3A	G01-2771-04	EXTENSION SPRING	

K1: KDC-V6017 E1: KDC-V6090R E2: KDC-V6090RY M2: KDC-V7018R

