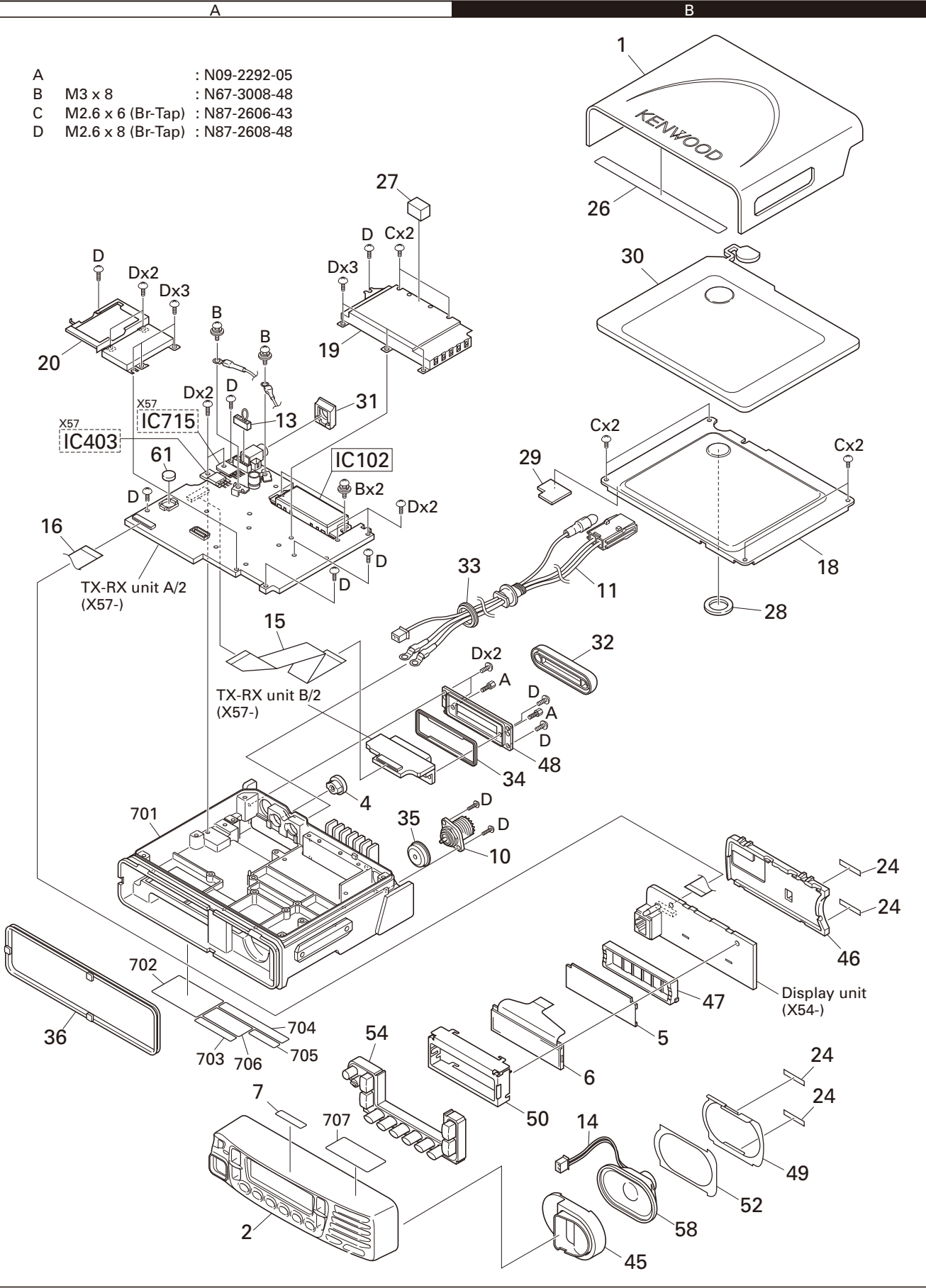


EXPLODED VIEW

- A : N09-2292-05
- B M3 x 8 : N67-3008-48
- C M2.6 x 6 (Br-Tap) : N87-2606-43
- D M2.6 x 8 (Br-Tap) : N87-2608-48

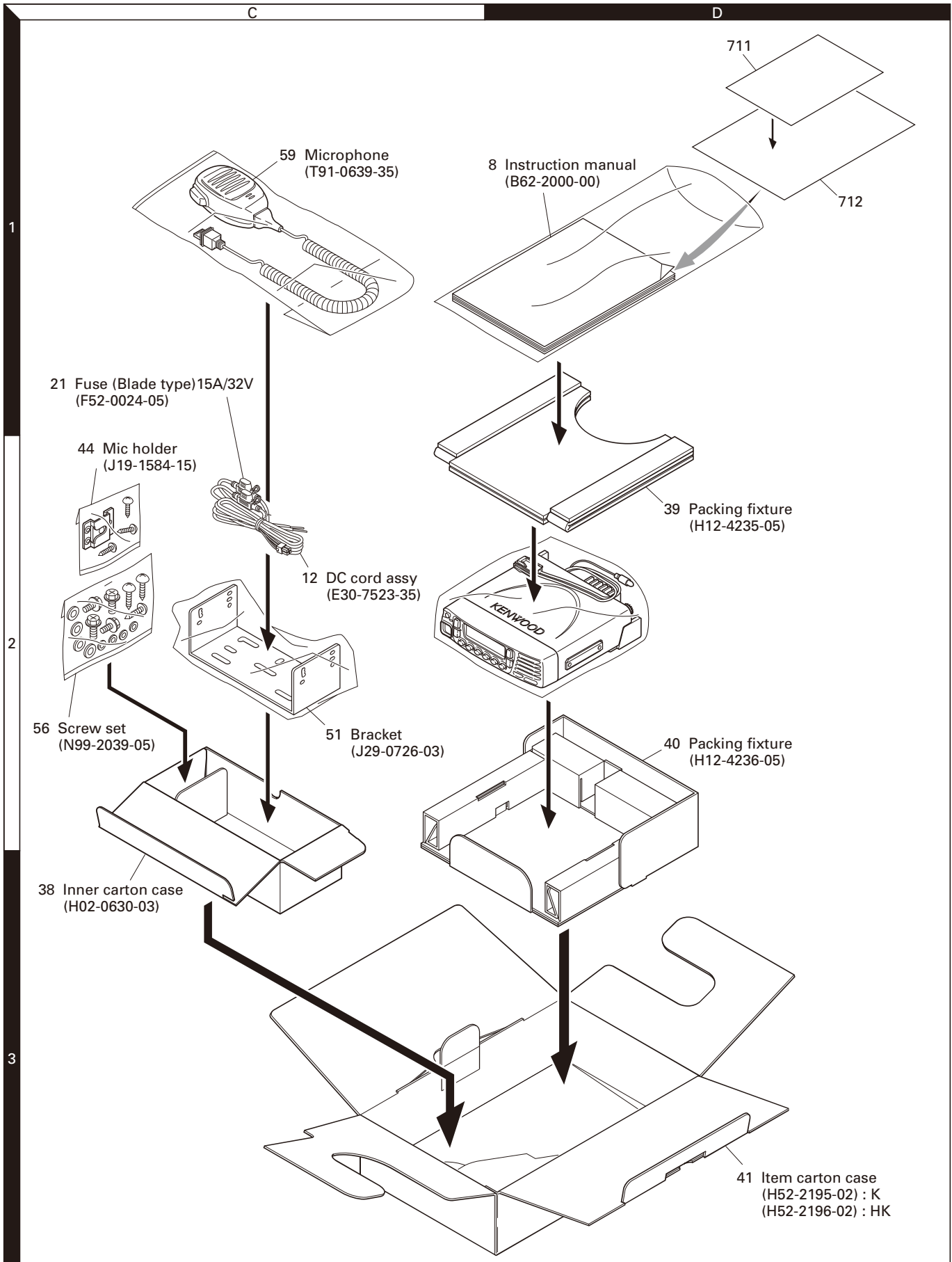


Parts with the exploded numbers larger than 700 are not supplied.

If a part reference number is listed in a box on the exploded view of the PCB (for example, IC123), that part does not come with the PCB. These parts must be ordered separately.

NX-700/700H

PACKING



Parts with the exploded numbers larger than 700 are not supplied.

NX-700/700H

PARTS LIST

* New Parts. Δ indicates safety critical components.

Parts without **Parts No.** are not supplied.

Les articles non mentionnés dans le **Parts No.** ne sont pas fournis.

Teile ohne **Parts No.** werden nicht geliefert.

L : Scandinavia

Y : PX (Far East, Hawaii)

Y : AAFES (Europe)

K : USA

T : England

X : Australia

P : Canada

E : Europe

M : Other Areas

NX-700 (Y51-5140-10)

NX-700H (Y51-5190-10)

DISPLAY UNIT (X54-3640-10)

Ref. No.	Address	New parts	Parts No.	Description	Desti-nation
NX-700/700H					
1	1B		A01-2194-11	COVER	
2	3A		A62-1162-03	PANEL ASSY	
4	2A		B09-0681-03	CAP (KAP-2)	
5	3B		B11-1850-04	FILTER (LCD)	
6	3B		B38-0922-05	LCD ASSY	
7	3A		B42-7296-04	STICKER (NEXEDGE)	
8	1D		B62-2000-00	INSTRUCTION MANUAL	
10	2B		E04-0167-15	RF COAXIAL RECEPTACLE (M)	
11	2B		E30-7520-15	DC CORD (PIG TAIL)	
12	2C		E30-7523-35	DC CORD ASSY ACCESSORY	
13	1A		E37-1118-05	LEAD WIRE WITH CONNECTOR (SHORT CABLE)	
14	3B		E37-1124-05	LEAD WIRE WITH CONNECTOR (2P/SP)	
15	2A		E37-1378-05	FLAT CABLE (30P/D-SUB)	
16	2A		E37-1379-05	FLAT CABLE (30P/PANEL)	
18	2B		F10-2488-12	SHIELDING PLATE (CHASSIS)	
19	1A		F10-2489-13	SHIELDING CASE (FINAL)	
20	1A		F10-2490-13	SHIELDING CASE (VCO)	
21	2C		F52-0024-05	FUSE (BLADE TYPE) 15A/32V	
-			G10-1322-04	FIBROUS SHEET (PANEL-SP)	
24	3B		G10-1342-04	FIBROUS SHEET (BIRITUKI)	
-			G11-4336-04	SHEET (PANEL-FG)	
26	1B		G11-4343-04	SHEET (STEP)	
27	1A		G13-2018-04	CUSHION (FINAL)	
28	2B		G13-2047-04	CUSHION (DC SCREW)	
29	2B	*	G13-2262-04	CUSHION (PLATE-FFC)	
30	1B		G53-1613-11	PACKING (SHIELD PLATE)	
31	1A		G53-1616-03	PACKING (PHINE JACK)	
32	2B		G53-1626-03	PACKING (D-SUB OUTER)	
33	2B		G53-1643-04	PACKING (DC CORD)	
34	2A		G53-1645-03	PACKING (D-SUB INNER)	
35	2A		G53-1662-04	PACKING (ANT)	
36	3A		G53-1676-03	PACKING (CHASSIS)	
38	3C	*	H02-0630-03	INNER CARTON CASE	
39	2D	*	H12-4235-05	PACKING FIXTURE	
40	2D	*	H12-4236-05	PACKING FIXTURE	
41	3D	*	H52-2195-02	ITEM CARTON CASE	K
41	3D	*	H52-2196-02	ITEM CARTON CASE	HK
44	2C		J19-1584-15	MIC HOLDER ACCESSORY	
45	3B		J19-5464-13	HOLDER (SP)	
46	3B		J19-5485-12	HOLDER (PANEL)	
47	3B		J19-5502-03	HOLDER (LCD)	
48	2B		J21-8479-02	MOUNTING HARDWARE (D-SUB)	
49	3B		J21-8481-03	MOUNTING HARDWARE (SP)	
50	3B		J21-8569-03	MOUNTING HARDWARE (LCD)	
51	2C		J29-0726-03	BRACKET ACCESSORY	
52	3B		J30-1289-04	SPACER (SP SHEET)	
54	3A		K29-9401-03	KEY TOP	
A	2B		N09-2292-05	HEXAGON HEAD SCREW	
B	1A,2A		N67-3008-48	PAN HEAD SEMS SCREW	
C	1A,2B		N87-2606-43	BRAZIER HEAD TAPTITE SCREW	
D	1A,2A,2B		N87-2608-48	BRAZIER HEAD TAPTITE SCREW	
56	2C		N99-2039-05	SCREW SET ACCESSORY	

Ref. No.	Address	New parts	Parts No.	Description	Desti-nation
58	3B		T07-0757-15	SPEAKER	
59	1C		T91-0639-35	MICROPHONE ACCESSORY	
61	2A		W09-0971-05	LITHIUM CELL	
DISPLAY UNIT (X54-3640-10)					
D914			B30-2304-05	LED (RED/GREEN)	
D915-926			B30-2281-05	LED (Y)	
D927-936			B30-2282-05	LED (Y)	
C903			CK73HB1E103K	CHIP C 0.010UF	K
C905			CK73HB1A104K	CHIP C 0.10UF	K
C906			CK73HB1H222K	CHIP C 2200PF	K
C907-909			CK73HB1H102K	CHIP C 1000PF	K
C910-912			CC73HCH1H101J	CHIP C 100PF	J
C913			CK73HB1A104K	CHIP C 0.10UF	K
C914			CK73HB1H102K	CHIP C 1000PF	K
C915			CK73FB1E475K	CHIP C 4.7UF	K
C916			CK73GB1E105K	CHIP C 1.0UF	K
C917,918			CK73HB1A104K	CHIP C 0.10UF	K
C919			CK73HB1H102K	CHIP C 1000PF	K
C920			CC73HCH1H121J	CHIP C 120PF	J
C921			CK73HB1A104K	CHIP C 0.10UF	K
C922-925			CK73HB1H102K	CHIP C 1000PF	K
C926-929			CK73HB1A104K	CHIP C 0.10UF	K
C930			CK73GB1E105K	CHIP C 1.0UF	K
C931,932			CK73HB1H102K	CHIP C 1000PF	K
C933			CK73GB1E105K	CHIP C 1.0UF	K
C934			CK73HB1H102K	CHIP C 1000PF	K
C935			CS77BA1E4R7M	CHIP TNL 4.7UF 25WV	
C936			CC73HCH1H100D	CHIP C 10PF	D
C938			CC73HCH1H100D	CHIP C 10PF	D
C939			CK73GB1C104K	CHIP C 0.10UF	K
C940			CK73FB1A106K	CHIP C 10UF	K
C941,942			CK73HB1H102K	CHIP C 1000PF	K
C943,944			CS77BA1E4R7M	CHIP TNL 4.7UF 25WV	
C945			CK73GB1H103K	CHIP C 0.010UF	K
C946			CC73HCH1H101J	CHIP C 100PF	J
C947			CK73HB1A104K	CHIP C 0.10UF	K
C948			CC73HCH1H101J	CHIP C 100PF	J
C949-954			CK73GB1E105K	CHIP C 1.0UF	K
C955			CC73HCH1H101J	CHIP C 100PF	J
C956,957			CK73HB1E103K	CHIP C 0.010UF	K
C958			CK73HB1H102K	CHIP C 1000PF	K
C959,960			CK73HB1E103K	CHIP C 0.010UF	K
C961			CK73HBOJ105K	CHIP C 1.0UF	K
C962			CK73HB1A104K	CHIP C 0.10UF	K
C963			CC73HCH1H101J	CHIP C 100PF	J
C964			CK73GB1E105K	CHIP C 1.0UF	K
C965			CK73HB1A104K	CHIP C 0.10UF	K
C966,967			CK73HB1H102K	CHIP C 1000PF	K
CN901			E40-6559-05	FLAT CABLE CONNECTOR	
CN902			E41-2671-05	PIN ASSY	
CN905			E40-6557-05	FLAT CABLE CONNECTOR	

NX-700/700H

PARTS LIST

DISPLAY UNIT (X54-3640-10)

TX-RX UNIT (X57-7380-XX)

Ref. No.	Address	New parts	Parts No.	Description	Destination	Ref. No.	Address	New parts	Parts No.	Description	Destination
J901			E58-0522-05	MODULAR JACK		R960			RK73HB1J000J	CHIP R 0.0 J 1/16W	
-			J31-0551-05	COLLAR		R962			RK73HB1J000J	CHIP R 0.0 J 1/16W	
L901,902			L41-1095-39	SMALL FIXED INDUCTOR (1.0UH)		R963,964			RK73GB2A391J	CHIP R 390 J 1/10W	
L903-905			L92-0140-05	CHIP FERRITE		R965,966			RK73GB2A821J	CHIP R 820 J 1/10W	
L906			L92-0163-05	BEADS CORE		R967-974			RK73HB1J103J	CHIP R 10K J 1/16W	
L907			L92-0140-05	CHIP FERRITE		R976			RK73HB1J000J	CHIP R 0.0 J 1/16W	
L908			L92-0163-05	BEADS CORE		R977-979			RK73HB1J473J	CHIP R 47K J 1/16W	
X901			L77-1950-05	CRYSTAL RESONATOR (11.0592MHZ)		R981,982			RK73HB1J103J	CHIP R 10K J 1/16W	
CP907,908			RK75HA1JR00J	CHIP-COM 0.00 J 1/16W		R986			RK73HB1J103J	CHIP R 10K J 1/16W	
CP909			RK74HA1J104J	CHIP-COM 100K J 1/16W		R988			RK73HB1J473J	CHIP R 47K J 1/16W	
CP910		*	RK74HA1J101J	CHIP-COM 100 J 1/16W		R989			RK73HB1J474J	CHIP R 470K J 1/16W	
CP912		*	RK74HA1J101J	CHIP-COM 100 J 1/16W		R990			RK73HB1J472J	CHIP R 4.7K J 1/16W	
CP917			RK74HA1J104J	CHIP-COM 100K J 1/16W		R991			RK73HB1J474J	CHIP R 470K J 1/16W	
R900			RK73HB1J000J	CHIP R 0.0 J 1/16W		R992			RK73HB1J000J	CHIP R 0.0 J 1/16W	
R901			RK73GB2A000J	CHIP R 0.0 J 1/10W		R996			RK73HB1J472J	CHIP R 4.7K J 1/16W	
R902			RK73HB1J102J	CHIP R 1.0K J 1/16W		R997			RK73GB2A000J	CHIP R 0.0 J 1/10W	
R904			RK73HB1J101J	CHIP R 100 J 1/16W		R998			RK73HB1J000J	CHIP R 0.0 J 1/16W	
R905			RK73HB1J102J	CHIP R 1.0K J 1/16W		R999			RK73HB1J101J	CHIP R 100 J 1/16W	
R906			RK73HB1J331J	CHIP R 330 J 1/16W		D901,902			AVRM16080MAAB	VARISTOR	
R907			RK73HB1J104J	CHIP R 100K J 1/16W		D903			02DZ18F-X	ZENER DIODE	
R908			RK73HB1J473J	CHIP R 47K J 1/16W		D904			AVRM16080MAAB	VARISTOR	
R909			RK73HB1J104J	CHIP R 100K J 1/16W		D906			MINISMDC020F	VARISTOR	
R911			RK73HB1J472J	CHIP R 4.7K J 1/16W		D907			02DZ18F-X	ZENER DIODE	
R912			RK73HB1J333J	CHIP R 33K J 1/16W		D908			HSC119	DIODE	
R913			RK73HB1J823J	CHIP R 82K J 1/16W		D910			1SS416	DIODE	
R914			RK73HB1J104J	CHIP R 100K J 1/16W		D911,912			HSC119	DIODE	
R915			RK73HB1J473J	CHIP R 47K J 1/16W		D913			DA204U	DIODE	
R916,917			RK73HB1J103J	CHIP R 10K J 1/16W		D937			1SS416	DIODE	
R918			RK73GB2A100J	CHIP R 10 J 1/10W		IC901			TC7W66FK-F	MOS-IC	
R919			RK73HB1J103J	CHIP R 10K J 1/16W		IC902			TC7S51FE(F)	MOS-IC	
R920,921			RK73HB1J101J	CHIP R 100 J 1/16W		IC903			XC6204B502PR	MOS-IC	
R922-925			RK73HB1J102J	CHIP R 1.0K J 1/16W		IC904			XC6204B332M	MOS-IC	
R926			RK73HB1J103J	CHIP R 10K J 1/16W		IC905			TC7SH126FU-F	MOS-IC	
R927			RK73HB1J473J	CHIP R 47K J 1/16W		IC906			LM2682MMX	MOS-IC	
R928			RK73HB1J103J	CHIP R 10K J 1/16W		IC907			TC7WH126FU-F	MOS-IC	
R929			RK73HB1J474J	CHIP R 470K J 1/16W		IC908			TC7SH08FU-F	MOS-IC	
R930			RK73HB1J103J	CHIP R 10K J 1/16W		IC909			LMC7101BIM5	MOS-IC	
R931			RK73FB2B561J	CHIP R 560 J 1/8W		IC910			TC74LCX245FK	MOS-IC	
R932			RK73FB2B471J	CHIP R 470 J 1/8W		IC911			30620SPGPU3C	MICRO CONTROL UNIT	
R933			RK73HB1J101J	CHIP R 100 J 1/16W		IC912			TC7WZ245FK-F	MOS-IC	
R934-937			RK73HB1J473J	CHIP R 47K J 1/16W		IC913			29AL16D7KCCA	ROM IC	
R938,939			RK73HB1J103J	CHIP R 10K J 1/16W		Q901			SSM3K15TE(F)	FET	
R940			RK73HB1J274J	CHIP R 270K J 1/16W		Q902			DTC144EE	DIGITAL TRANSISTOR	
R941			RK73HB1J124J	CHIP R 120K J 1/16W		Q904			DTC144EE	DIGITAL TRANSISTOR	
R942			RK73HB1J000J	CHIP R 0.0 J 1/16W		Q905,906			DTC114EE	DIGITAL TRANSISTOR	
R943			RK73HB1J102J	CHIP R 1.0K J 1/16W		Q908,909			DTC114EE	DIGITAL TRANSISTOR	
R944			RK73HB1J104J	CHIP R 100K J 1/16W		Q910			12A02CH	TRANSISTOR	
R945,946			RK73HB1J000J	CHIP R 0.0 J 1/16W		Q911			SSM3K15TE(F)	FET	
R947			RK73HB1J474J	CHIP R 470K J 1/16W		Q913			UPA672T-A	FET	
R948			RK73HB1J103J	CHIP R 10K J 1/16W		TH901			ERTJ0EV104H	THERMISTOR	
R949			RK73HB1J102J	CHIP R 1.0K J 1/16W							
R950			RK73HB1J473J	CHIP R 47K J 1/16W							
R952			RK73HB1J000J	CHIP R 0.0 J 1/16W							
R953			RK73GB2A271J	CHIP R 270 J 1/10W							
R954			RK73GB2A470J	CHIP R 47 J 1/10W							
R955			RK73GB2A271J	CHIP R 270 J 1/10W							
R956			RK73GB2A101J	CHIP R 100 J 1/10W							
R957,958			RK73GB2A271J	CHIP R 270 J 1/10W							
						TX-RX UNIT (X57-7380-XX for service) -11 : NX-700 -13 : NX-700H					
						C1			CK73HB1A104K	CHIP C 0.10UF K	
						C2			CK73HB1H471K	CHIP C 470PF K	
						C3			CK73HB1A104K	CHIP C 0.10UF K	
						C5			CC73HCH1H101J	CHIP C 100PF J	
						C6			CK73HB1E103K	CHIP C 0.010UF K	

PARTS LIST

TX-RX UNIT (X57-7380-XX)

Ref. No.	Address	New parts	Parts No.	Description	Desti-nation	Ref. No.	Address	New parts	Parts No.	Description	Desti-nation
C7			CC73HCH1H470J	CHIP C 47PF J		C91			CC73HCH1H220J	CHIP C 22PF J	
C8			CC73HCH1H180J	CHIP C 18PF J		C92			CK73HB1H102K	CHIP C 1000PF K	
C9			CK73FB1A106K	CHIP C 10UF K		C93			CC73HCH1H050B	CHIP C 5.0PF B	
C11			CC73HCH1H390J	CHIP C 39PF J		C94			CC73HCH1H150J	CHIP C 15PF J	
C12			CK73HB0J105K	CHIP C 1.0UF K		C95,96			CK73HB1H102K	CHIP C 1000PF K	
C13			CK73HB1E103K	CHIP C 0.010UF K		C97			CK73HB1A104K	CHIP C 0.10UF K	
C14			CC73HCH1H101J	CHIP C 100PF J		C98			CC73HCH1H100C	CHIP C 10PF C	
C15,16			CK73HB1E103K	CHIP C 0.010UF K		C101			CK73HB1H471K	CHIP C 470PF K	
C17			CC73HCH1H101J	CHIP C 100PF J		C102			CK73HB1H102K	CHIP C 1000PF K	
C18			CK73GB1E105K	CHIP C 1.0UF K		C103			CK73HB1E103K	CHIP C 0.010UF K	
C19-23			CC73HCH1H101J	CHIP C 100PF J		C104-107			CK73HB1H471K	CHIP C 470PF K	
C24			CK73HB1A104K	CHIP C 0.10UF K		C108			CK73FB1E475K	CHIP C 4.7UF K	
C25,26			CC73HCH1H101J	CHIP C 100PF J		C109			CC73HCH1H330J	CHIP C 33PF J	
C27			CK73HB1A104K	CHIP C 0.10UF K		C110-112			CK73HB1H471K	CHIP C 470PF K	
C28,29			CC73HCH1H101J	CHIP C 100PF J		C115-117			CK73HB1H471K	CHIP C 470PF K	
C31			CC73HCH1H101J	CHIP C 100PF J		C118			CC73HCH1H560J	CHIP C 56PF J	
C32			CS77CA1VR15M	CHIP TNTL 0.15UF 35WV		C119			CK73HB1H471K	CHIP C 470PF K	
C33			CC73HCH1H330J	CHIP C 33PF J		C120			CC73HCH1H220J	CHIP C 22PF J	
C34			CS77BA1D100M	CHIP TNTL 10UF 20WV		C121			CC73HCH1H090B	CHIP C 9.0PF B	
C35			C92-0863-05	CHIP TNTL 0.047UF 35WV		C122			CC73HCH1H220J	CHIP C 22PF J	
C36			CK73HB1H102K	CHIP C 1000PF K		C123			CC73HCH1H330J	CHIP C 33PF J	
C37			C93-0787-05	CHIP C 0.1UF K		C124			CK73HB1H471K	CHIP C 470PF K	
C38			CK73HB1H102K	CHIP C 1000PF K		C125			CC73HCH1H220J	CHIP C 22PF J	
C39			CK73HB1H471K	CHIP C 470PF K		C126			CK73HB1H471K	CHIP C 470PF K	
C41			CK73HB1H471K	CHIP C 470PF K		C127			CC73HCH1H470J	CHIP C 47PF J	
C42,43			CC73HCH1H101J	CHIP C 100PF J		C128			CC73HCH1H330J	CHIP C 33PF J	
C44,45			CK73HB1H471K	CHIP C 470PF K		C130			CC73HCH1H101J	CHIP C 100PF J	
C46			CC73HCH1H470J	CHIP C 47PF J		C132-134			CK73HB1H471K	CHIP C 470PF K	
C47			CK73HB0J105K	CHIP C 1.0UF K		C135			CK73FB1H471K	CHIP C 470PF K	
C48-51			CK73HB1H471K	CHIP C 470PF K		C136			CC73HCH1H101J	CHIP C 100PF J	
C52			CC73HCH1H390G	CHIP C 39PF G		C137			CC73FCH1H180J	CHIP C 18PF J	
C53			CC73HCH1H180G	CHIP C 18PF G		C138	*		CK73GB0J335K	CHIP C 3.3UF K	K
C54			CK73HB0J105K	CHIP C 1.0UF K		C139			CS77BA1E4R7M	CHIP TNTL 4.7UF 25WV	HK
C55			CK73HB1A104K	CHIP C 0.10UF K		C141			CC73HCH1H220J	CHIP C 22PF J	
C56			CC73HCH1H030B	CHIP C 3.0PF B		C145			CC73HCH1H470J	CHIP C 47PF J	
C57			CC73HCH1H020B	CHIP C 2.0PF B		C148			CC73HCH1H101J	CHIP C 100PF J	
C61			CC73HCH1H220G	CHIP C 22PF G		C149			CK73HB1H471K	CHIP C 470PF K	
C62			CC73HCH1H390G	CHIP C 39PF G		C151			C92-0875-05	ELECTRO 47UF 25WV	
C63			CK73HB1H471K	CHIP C 470PF K		C154-156			CC73HCH1H101J	CHIP C 100PF J	
C64			CC73HCH1H560J	CHIP C 56PF J		C157-159			CK73HB1H471K	CHIP C 470PF K	
C65,66			CK73HB1H471K	CHIP C 470PF K		C162			CK73HB1H821K	CHIP C 820PF K	K
C67			CC73HCH1H330G	CHIP C 33PF G		C163			CM73F2H090D	CHIP C 9.0PF D	HK
C68			CK73HB1H102K	CHIP C 1000PF K		C164			CC73FCH1H180J	CHIP C 18PF J	
C69			CK73HB1H471K	CHIP C 470PF K		C165			CM73F2H121J	CHIP C 120PF J	
C70			CC73HCH1H070B	CHIP C 7.0PF B		C167			CM73F2H270J	CHIP C 27PF J	HK
C71			CK73HB1H471K	CHIP C 470PF K		C167			CM73F2H430J	CHIP C 43PF J	K
C72			CC73HCH1H100B	CHIP C 10PF B		C169			CC73GCH1H020B	CHIP C 2.0PF B	K
C73			CK73HB1H471K	CHIP C 470PF K		C169			CC73GCH1H060B	CHIP C 6.0PF B	HK
C75			CK73FB1A106K	CHIP C 10UF K		C170			CK73HB1H471K	CHIP C 470PF K	
C76			CC73HCH1HR75B	CHIP C 0.75PF B		C171			CC73GCH1H0R3B	CHIP C 0.3PF B	HK
C77,78			CK73HB1H471K	CHIP C 470PF K		C171			CC73GCH1H0R5B	CHIP C 0.5PF B	K
C79,80			CC73HCH1H080B	CHIP C 8.0PF B		C172			CK73HB1H471K	CHIP C 470PF K	
C81			CC73HCH1H090B	CHIP C 9.0PF B		C173			CM73F2H220J	CHIP C 22PF J	HK
C82			CC73HCH1H080B	CHIP C 8.0PF B		C173			CM73F2H470J	CHIP C 47PF J	K
C83			CK73GB1E105K	CHIP C 1.0UF K		C174			CM73F2H180J	CHIP C 18PF J	HK
C84,85			CK73GB1H103K	CHIP C 0.010UF K		C175			CK73HB1H471K	CHIP C 470PF K	
C86			CK73HB1H471K	CHIP C 470PF K		C176			CC73GCH1H050B	CHIP C 5.0PF B	HK
C87,88			CC73HCH1H0R5B	CHIP C 0.5PF B		C176			CC73GCH1H1R5B	CHIP C 1.5PF B	K
C89			CK73HB1H102K	CHIP C 1000PF K		C177			CC73GCH1H0R3B	CHIP C 0.3PF B	HK
C90			CK73HB1H471K	CHIP C 470PF K		C177			CC73GCH1H0R5B	CHIP C 0.5PF B	K

NX-700/700H

PARTS LIST

TX-RX UNIT (X57-7380-XX)

Ref. No.	Address	New parts	Parts No.	Description	Destination	Ref. No.	Address	New parts	Parts No.	Description	Destination
C178			CK73HB1H471K	CHIP C 470PF K		C270			CK73HB1H471K	CHIP C 470PF K	
C179			CM73F2H360J	CHIP C 36PF J	HK	C272			CC73HCH1H180G	CHIP C 18PF G	
C179			CM73F2H390J	CHIP C 39PF J	K	C275			CC73HCH1H270G	CHIP C 27PF G	
C182			CM73F2H220J	CHIP C 22PF J	K	C276			CK73HB1H471K	CHIP C 470PF K	
C182			CM73F2H270J	CHIP C 27PF J	HK	C279			CK73HB1H102K	CHIP C 1000PF K	
C183			CK73HB1H471K	CHIP C 470PF K		C280			CC73HCH1H180G	CHIP C 18PF G	
C184			CC73GCH1H030B	CHIP C 3.0PF B	K	C282			CK73HB1H102K	CHIP C 1000PF K	
C184			CC73GCH1H060B	CHIP C 6.0PF B	HK	C283			CK73HB1H471K	CHIP C 470PF K	
C186			CC73GCH1H0R3B	CHIP C 0.3PF B	HK	C284			CK73HB1H102K	CHIP C 1000PF K	
C186			CC73GCH1H0R5B	CHIP C 0.5PF B	K	C285			CC73HCH1H120G	CHIP C 12PF G	
C188			CM73F2H150J	CHIP C 15PF J	HK	C286			CK73HB1H102K	CHIP C 1000PF K	
C188			CM73F2H180J	CHIP C 18PF J	K	C287			CC73GCH1H150G	CHIP C 15PF G	
C190			CK73HB1E103K	CHIP C 0.010UF K		C288			CK73HB1H102K	CHIP C 1000PF K	
C193-195			CK73HB1E103K	CHIP C 0.010UF K		C289			CK73GB1H104K	CHIP C 0.10UF K	
C197			CK73HB1H102K	CHIP C 1000PF K		C290			CK73HB1H102K	CHIP C 1000PF K	
C198			CK73HB1H471K	CHIP C 470PF K		C291			CC73HCH1H120G	CHIP C 12PF G	
C201			CK73HB1E103K	CHIP C 0.010UF K		C293,294			CK73HB1H102K	CHIP C 1000PF K	
C202-205			CK73HB1A104K	CHIP C 0.10UF K		C295			CC73HCH1H120G	CHIP C 12PF G	
C206			CC73HCH1H100B	CHIP C 10PF B		C296			CK73HB1H102K	CHIP C 1000PF K	
C207,208			CK73HB1E103K	CHIP C 0.010UF K		C297			CC73GCH1H150G	CHIP C 15PF G	
C210			CC73HCH1H100B	CHIP C 10PF B		C298			CK73GB1H104K	CHIP C 0.10UF K	
C211			CC73HCH1H680J	CHIP C 68PF J		C299-301			CK73HB1H102K	CHIP C 1000PF K	
C212-214			CK73HB1A104K	CHIP C 0.10UF K		C302			CC73HCH1H120G	CHIP C 12PF G	
C215			CC73HCH1H101J	CHIP C 100PF J		C304			CK73HB1H102K	CHIP C 1000PF K	
C216			CC73HCH1H680J	CHIP C 68PF J		C308			CK73HB1A104K	CHIP C 0.10UF K	
C217			CC73HCH1H470J	CHIP C 47PF J		C311			CK73HB1H102K	CHIP C 1000PF K	
C218			CK73HB1A104K	CHIP C 0.10UF K		C315			CK73HB1H102K	CHIP C 1000PF K	
C219,220			CK73GB0J475K	CHIP C 4.7UF K		C316			CC73GCH1H180G	CHIP C 18PF G	
C221			CK73FB1A106K	CHIP C 10UF K		C328			CC73HCH1H270G	CHIP C 27PF G	
C222,223			CK73HB1E103K	CHIP C 0.010UF K		C329			CK73HB1H102K	CHIP C 1000PF K	
C224			CK73HB1A104K	CHIP C 0.10UF K		C330-334			CK73HB1A104K	CHIP C 0.10UF K	
C225			CK73FB1A106K	CHIP C 10UF K		C335			CC73HCH1H151J	CHIP C 150PF J	
C226			CC73HCH1H820J	CHIP C 82PF J		C336			CK73HB1E103K	CHIP C 0.010UF K	
C227			CK73HB1A104K	CHIP C 0.10UF K		C337,338			CK73HB1H102K	CHIP C 1000PF K	
C228			CK73HB1E103K	CHIP C 0.010UF K		C341,342			CK73HB1H102K	CHIP C 1000PF K	
C229			CK73HB1A104K	CHIP C 0.10UF K		C348			CK73HB1E103K	CHIP C 0.010UF K	
C230			CK73HB1E103K	CHIP C 0.010UF K		C351			CK73HBOJ105K	CHIP C 1.0UF K	
C231,232			CK73HB1A104K	CHIP C 0.10UF K		C352,353			CK73HB1A104K	CHIP C 0.10UF K	
C233			CK73HBOJ105K	CHIP C 1.0UF K		C354			CK73FB1A106K	CHIP C 10UF K	
C234			CK73HB1E103K	CHIP C 0.010UF K		C355			CK73HB1A104K	CHIP C 0.10UF K	
C235			CC73HCH1H470J	CHIP C 47PF J		C356			CK73HB1H471K	CHIP C 470PF K	
C237			CK73HB1E103K	CHIP C 0.010UF K		C357			CK73HB1E103K	CHIP C 0.010UF K	
C238			CK73HB1H471K	CHIP C 470PF K		C358			CK73HB1H102K	CHIP C 1000PF K	
C239,240			CK73HB1E103K	CHIP C 0.010UF K		C359			CK73HB1H471K	CHIP C 470PF K	
C242			CK73HB1H471K	CHIP C 470PF K		C401			C92-0777-05	ELECTRO 1000UF 25WV	
C243			CK73HB1E103K	CHIP C 0.010UF K		C403			CK73HB1H471K	CHIP C 470PF K	
C244			CC73HCH1H470J	CHIP C 47PF J		C405			CK73HB1H471K	CHIP C 470PF K	
C245,246			CK73HB1E103K	CHIP C 0.010UF K		C406			CK73HB1H102K	CHIP C 1000PF K	
C247			CK73HB1A104K	CHIP C 0.10UF K		C409			CK73HB1E103K	CHIP C 0.010UF K	
C252			CC73HCH1H010B	CHIP C 1.0PF B		C410			CK73GB1H103K	CHIP C 0.010UF K	
C256			CC73HCH1H010B	CHIP C 1.0PF B		C411			CK73HB1H471K	CHIP C 470PF K	
C259			CK73HB1E103K	CHIP C 0.010UF K		C413			CK73GB1E105K	CHIP C 1.0UF K	
C260,261			CK73HB1H471K	CHIP C 470PF K		C415			CK73HB1H471K	CHIP C 470PF K	
C262,263			CK73HB1E103K	CHIP C 0.010UF K		C417			CK73HB1H471K	CHIP C 470PF K	
C264			CK73HB1H471K	CHIP C 470PF K		C419			CK73HB1H102K	CHIP C 1000PF K	
C265			CK73HB1E103K	CHIP C 0.010UF K		C420			CK73HB1A104K	CHIP C 0.10UF K	
C266			CK73HB1H102K	CHIP C 1000PF K		C421			CK73GB1H473K	CHIP C 0.047UF K	
C267			CK73HB1H471K	CHIP C 470PF K		C422			CK73FB1E475K	CHIP C 4.7UF K	
C268			CK73HB1H102K	CHIP C 1000PF K		C424			CK73GB1E105K	CHIP C 1.0UF K	
C269			CC73HCH1H100C	CHIP C 10PF C		C425			CK73GB1H104K	CHIP C 0.10UF K	

PARTS LIST

TX-RX UNIT (X57-7380-XX)

Ref. No.	Address	New parts	Parts No.	Description	Desti-nation	Ref. No.	Address	New parts	Parts No.	Description	Desti-nation
C426			CK73HB1E103K	CHIP C 0.010UF K		C540			CK73HB0J105K	CHIP C 1.0UF K	
C427			CK73HB1H471K	CHIP C 470PF K		C541			CK73HB1A104K	CHIP C 0.10UF K	
C428			CC73HCH1H101J	CHIP C 100PF J		C542			CS77CP0J100M	CHIP TNTL 10UF 6.3WV	
C429			CK73GB1H104K	CHIP C 0.10UF K		C543-546			CC73HCH1H101J	CHIP C 100PF J	
C430,431			CK73FB1E475K	CHIP C 4.7UF K		C547-550			CK73HB1A104K	CHIP C 0.10UF K	
C432			C92-0875-05	ELECTRO 47UF 25W		C551			CK73HB1E103K	CHIP C 0.010UF K	
C433			CK73GB1H104K	CHIP C 0.10UF K		C552			CK73HB0J105K	CHIP C 1.0UF K	
C434			CK73HB1H102K	CHIP C 1000PF K		C553			CC73HCH1H101J	CHIP C 100PF J	
C435			CK73FB1A106K	CHIP C 10UF K		C554-558			CK73HB1A104K	CHIP C 0.10UF K	
C436			CS77BA1A100M	CHIP TNTL 10UF 10WV		C559			CK73HB1E103K	CHIP C 0.010UF K	
C437			CK73HB1A224K	CHIP C 0.22UF K		C560			CK73HB0J105K	CHIP C 1.0UF K	
C438			CK73FB1A106K	CHIP C 10UF K		C561-563			CC73HCH1H101J	CHIP C 100PF J	
C439			CK73HB1E103K	CHIP C 0.010UF K		C565,566			CC73HCH1H101J	CHIP C 100PF J	
C440			CK73GB1E105K	CHIP C 1.0UF K		C567			CK73HB1H102K	CHIP C 1000PF K	
C441,442			CK73HB1E103K	CHIP C 0.010UF K		C568-578			CC73HCH1H101J	CHIP C 100PF J	
C443,444			CK73GB1E105K	CHIP C 1.0UF K		C579			CK73HB1H102K	CHIP C 1000PF K	
C445			CK73FB1A106K	CHIP C 10UF K		C580			CC73HCH1H101J	CHIP C 100PF J	
C446			C92-0765-05	CHIP TNTL 4.7UF 16WV		C581-583			CK73HB1H102K	CHIP C 1000PF K	
C447			CK73HB1A224K	CHIP C 0.22UF K		C584,585			CC73HCH1H101J	CHIP C 100PF J	
C448			CK73HB1E103K	CHIP C 0.010UF K		C586			CK73HB1E103K	CHIP C 0.010UF K	
C449			CK73GB1C225K	CHIP C 2.2UF K		C587-589			CK73HB1H102K	CHIP C 1000PF K	
C450			CK73HB1E103K	CHIP C 0.010UF K		C590,591			CK73HB1E103K	CHIP C 0.010UF K	
C451			CK73GB1C225K	CHIP C 2.2UF K		C592,593			CC73HCH1H101J	CHIP C 100PF J	
C452			CK73HB0J105K	CHIP C 1.0UF K		C594,595			CK73HB1E103K	CHIP C 0.010UF K	
C453			CK73GB1E105K	CHIP C 1.0UF K		C596			CK73HB1A104K	CHIP C 0.10UF K	
C454			CK73HB1H471K	CHIP C 470PF K		C597-607			CK73HB1H102K	CHIP C 1000PF K	
C455,456			CK73HB1E103K	CHIP C 0.010UF K		C608			CC73HCH1H101J	CHIP C 100PF J	
C457,458			CK73GB1E105K	CHIP C 1.0UF K		C609			CK73HB1H102K	CHIP C 1000PF K	
C459			C92-0765-05	CHIP TNTL 4.7UF 16WV		C610			CC73HCH1H101J	CHIP C 100PF J	
C460			CK73HB1A104K	CHIP C 0.10UF K		C611			CK73HB1H102K	CHIP C 1000PF K	
C461			CC73HCH1H181J	CHIP C 180PF J		C612			CK73GB1H103K	CHIP C 0.010UF K	
C462			CK73HB1H471K	CHIP C 470PF K		C613-616			CK73GB1E105K	CHIP C 1.0UF K	
C463			CK73HB0J105K	CHIP C 1.0UF K		C618			CK73HB1E103K	CHIP C 0.010UF K	
C464			CC73HCH1H220J	CHIP C 22PF J		C620,621			CK73HB1E103K	CHIP C 0.010UF K	
C465-467			CK73GB1E105K	CHIP C 1.0UF K		C701	*		CK73GB0J335K	CHIP C 3.3UF K	
C468			CK73HB1E103K	CHIP C 0.010UF K		C702			CK73HB0J105K	CHIP C 1.0UF K	
C471			CK73HB0J105K	CHIP C 1.0UF K		C705			CK73HB1H122K	CHIP C 1200PF K	
C473			CS77BA1E4R7M	CHIP TNTL 4.7UF 25WV		C706			CK73HB1H331K	CHIP C 330PF K	
C474			CK73HB1E103K	CHIP C 0.010UF K		C707			CK73HB1A104K	CHIP C 0.10UF K	
C475			CK73FB1A106K	CHIP C 10UF K		C708			CK73HB1H122K	CHIP C 1200PF K	
C501,502			CK73HB0J105K	CHIP C 1.0UF K		C709			CC73HCH1H221J	CHIP C 220PF J	
C503-507			CK73HB1A104K	CHIP C 0.10UF K		C710			CK73HB1E103K	CHIP C 0.010UF K	
C508			CK73HB1H102K	CHIP C 1000PF K		C711			CC73HCH1H181J	CHIP C 180PF J	
C509			CK73HB1A104K	CHIP C 0.10UF K		C712			CC73HCH1H680J	CHIP C 68PF J	
C511-514			CK73HB1A104K	CHIP C 0.10UF K		C714			CK73HB1E103K	CHIP C 0.010UF K	
C515			CK73HB0J105K	CHIP C 1.0UF K		C715			CK73HB1H122K	CHIP C 1200PF K	
C516,517			CK73HB1A104K	CHIP C 0.10UF K		C716			CC73HCH1H221J	CHIP C 220PF J	
C518			CK73GB1E105K	CHIP C 1.0UF K		C717			CK73HB1A104K	CHIP C 0.10UF K	
C520-523			CK73HB1E103K	CHIP C 0.010UF K		C718			CC73HCH1H221J	CHIP C 220PF J	
C527			CK73HB1E103K	CHIP C 0.010UF K		C719,720			CK73HB1A104K	CHIP C 0.10UF K	
C528			CK73HB1A104K	CHIP C 0.10UF K		C721			CC73HCH1H221J	CHIP C 220PF J	
C529,530			CK73HB1E103K	CHIP C 0.010UF K		C722			CC73HCH1H470J	CHIP C 47PF J	
C531			CK73HB1A104K	CHIP C 0.10UF K		C723,724			CK73HB1A104K	CHIP C 0.10UF K	
C532			CK73HB1E103K	CHIP C 0.010UF K		C725			CK73HB1E103K	CHIP C 0.010UF K	
C533			CK73HB1A104K	CHIP C 0.10UF K		C726			CK73HB1A104K	CHIP C 0.10UF K	
C534			CC73HCH1H101J	CHIP C 100PF J		C727			CC73HCH1H820J	CHIP C 82PF J	
C535			CS77CP0J100M	CHIP TNTL 10UF 6.3WV		C729			CK73HB1A104K	CHIP C 0.10UF K	
C536			CK73HB1E103K	CHIP C 0.010UF K		C730			CK73HB1H561K	CHIP C 560PF K	
C537,538			CK73HB1A104K	CHIP C 0.10UF K		C731			CK73HB1A104K	CHIP C 0.10UF K	
C539			CK73HB1E103K	CHIP C 0.010UF K		C732			CK73HB1E103K	CHIP C 0.010UF K	

NX-700/700H

PARTS LIST

TX-RX UNIT (X57-7380-XX)

Ref. No.	Address	New parts	Parts No.	Description	Destination	Ref. No.	Address	New parts	Parts No.	Description	Destination
C734			CK73HB1E103K	CHIP C 0.010UF K		C922,923			CK73HB1H102K	CHIP C 1000PF K	
C735			CK73FB1E475K	CHIP C 4.7UF K		CN401,402			E23-1260-04	TERMINAL	
C736			CC73HCH1H101J	CHIP C 100PF J		CN403			E41-1682-05	PIN ASSY	
C737			CK73HB1A104K	CHIP C 0.10UF K		CN502-513			E23-1278-05	TERMINAL	
C738			CK73HB1H102K	CHIP C 1000PF K		CN516,517			E23-1278-05	TERMINAL	
C740			CK73HB1H472K	CHIP C 4700PF K		CN520			E23-1278-05	TERMINAL	
C741			CK73HB1A154K	CHIP C 0.15UF K		CN527			E23-1278-05	TERMINAL	
C742			CK73HB1A104K	CHIP C 0.10UF K		CN540			E23-1278-05	TERMINAL	
C743			CK73HB1E103K	CHIP C 0.010UF K		CN542,543			E23-1278-05	TERMINAL	
C744			CK73HB1A104K	CHIP C 0.10UF K		CN549			E40-6720-05	SOCKET FOR PIN ASSY	
C745-747			CK73HB1E103K	CHIP C 0.010UF K		CN595			E40-6361-05	PIN ASSY	
C748-751			CK73HB1A104K	CHIP C 0.10UF K		CN597			E40-6558-05	FLAT CABLE CONNECTOR	
C752,753			CK73HB1E103K	CHIP C 0.010UF K		CN600			E40-6560-05	FLAT CABLE CONNECTOR	
C754			CK73HB1H102K	CHIP C 1000PF K		CN611,612			E23-1278-05	TERMINAL	
C757			CC73HCH1H150J	CHIP C 15PF J		CN614			E23-1278-05	TERMINAL	
C761			CK73HB1E103K	CHIP C 0.010UF K		CN705			E40-6582-05	PIN ASSY	
C762,763			CK73HB1A104K	CHIP C 0.10UF K		CN901			E40-6560-05	FLAT CABLE CONNECTOR	
C764			CC73HCH1H220J	CHIP C 22PF J		J701			E11-0425-05	3.5D PHONE JACK (3P)	
C765,766			CK73GB1E105K	CHIP C 1.0UF K		J901			E58-0521-05	SUB SOCKET(D)	
C767			CK73HB1A104K	CHIP C 0.10UF K		F401			F53-0328-05	FUSE 5A	
C768,769			CK73HB1E103K	CHIP C 0.010UF K		F501			F53-0352-05	FUSE 2A	
C770			CK73HB1A104K	CHIP C 0.10UF K		CN405			J19-5386-05	HOLDER	
C773			CK73HB1A104K	CHIP C 0.10UF K		CD201			L79-1850-05	TUNING COIL	
C774			CK73HB1H102K	CHIP C 1000PF K		CF201			L72-1017-05	CERAMIC FILTER	
C775			CK73HB1A104K	CHIP C 0.10UF K		CF202			L72-1021-05	CERAMIC FILTER	
C776			CK73HB0J105K	CHIP C 1.0UF K		CF203			L72-1020-05	CERAMIC FILTER	
C777			CK73HB1H102K	CHIP C 1000PF K		L1			L41-4795-39	SMALL FIXED INDUCTOR (4.7UH)	
C778			CK73HB1A104K	CHIP C 0.10UF K		L2			L92-0163-05	BEADS CORE	
C779			CC73HCH1H680J	CHIP C 68PF J		L3,4			L40-1001-86	SMALL FIXED INDUCTOR (10UH)	
C782-786			CK73HB1A104K	CHIP C 0.10UF K		L7,8			L40-5667-92	SMALL FIXED INDUCTOR (5.6NH)	
C787			CK73FB1A106K	CHIP C 10UF K		L10,11			L40-2285-92	SMALL FIXED INDUCTOR (220NH)	
C788			CK73HB1A104K	CHIP C 0.10UF K		L12			L40-6875-92	SMALL FIXED INDUCTOR (68NH)	
C789			CK73FB1E475K	CHIP C 4.7UF K		L13,14			L40-2285-92	SMALL FIXED INDUCTOR (220NH)	
C790			CK73FB1A106K	CHIP C 10UF K		L15			L40-8275-92	SMALL FIXED INDUCTOR (82NH)	
C791			CK73HB1H102K	CHIP C 1000PF K		L16			L40-5667-92	SMALL FIXED INDUCTOR (5.6NH)	
C792			CC73HCH1H470J	CHIP C 47PF J		L17			L40-2285-92	SMALL FIXED INDUCTOR (220NH)	
C793			CK73HB1H102K	CHIP C 1000PF K		L18			L40-5667-92	SMALL FIXED INDUCTOR (5.6NH)	
C794,795			CK73FB1A106K	CHIP C 10UF K		L19			L40-2285-92	SMALL FIXED INDUCTOR (220NH)	
C796-799			CK73HB1A104K	CHIP C 0.10UF K		L20			L40-3975-92	SMALL FIXED INDUCTOR (39NH)	
C801,802			CK73GB1E105K	CHIP C 1.0UF K		L22			L34-4610-05	AIR-CORE COIL	
C803-805			CK73HB1H102K	CHIP C 1000PF K		L23			L34-4607-05	AIR-CORE COIL	
C806			C92-0906-05	ELECTRO 330UF 16WV		L24			L92-0446-05	BEADS CORE	
C807			C92-0875-05	ELECTRO 47UF 25WV		L25,26			L40-3391-86	SMALL FIXED INDUCTOR (3.3UH)	
C809			CK73HB1H102K	CHIP C 1000PF K		L27			L40-1085-71	SMALL FIXED INDUCTOR (100NH)	
C810			CK73HB1H471K	CHIP C 470PF K		L28			L40-1085-92	SMALL FIXED INDUCTOR (100NH)	
C811			CK73HB1H102K	CHIP C 1000PF K		L31-36			L92-0163-05	BEADS CORE	
C813			CK73FB1A106K	CHIP C 10UF K		L40,41			L92-0163-05	BEADS CORE	
C814			CK73HB1H471K	CHIP C 470PF K		L101			L40-8275-92	SMALL FIXED INDUCTOR (82NH)	
C815,816			CK73FB1A106K	CHIP C 10UF K		L102			L40-6875-92	SMALL FIXED INDUCTOR (68NH)	
C817			CK73HB1E103K	CHIP C 0.010UF K		L103			L92-0140-05	CHIP FERRITE	
C818			CK73HB0J105K	CHIP C 1.0UF K		L104			L40-3375-92	SMALL FIXED INDUCTOR (33NH)	
C820			CK73GB1E105K	CHIP C 1.0UF K		L105			L40-3975-92	SMALL FIXED INDUCTOR (39NH)	
C821			CK73HB1H102K	CHIP C 1000PF K		L106			L92-0140-05	CHIP FERRITE	
C824			CK73HB1H102K	CHIP C 1000PF K		L107-109			L92-0179-05	CHIP FERRITE	
C825			CC73HCH1H101J	CHIP C 100PF J		L108,109			L92-0179-05	CHIP FERRITE	
C901			CC73HCH1H101J	CHIP C 100PF J		L110			L34-4638-05	AIR-CORE COIL	
C902			CK73HB1H102K	CHIP C 1000PF K		L111			L34-4744-05	AIR-CORE COIL	
C903-906			CC73HCH1H101J	CHIP C 100PF J							HK
C907			CK73HB1H102K	CHIP C 1000PF K							K
C908-921			CC73HCH1H101J	CHIP C 100PF J							

PARTS LIST

TX-RX UNIT (X57-7380-XX)

Ref. No.	Address	New parts	Parts No.	Description	Destination	Ref. No.	Address	New parts	Parts No.	Description	Destination
L112-115			L34-4742-05	AIR-CORE COIL		R30			RK73HB1J000J	CHIP R 0.0 J 1/16W	
L116			L34-4848-05	AIR-CORE COIL		R31			RK73HB1J151J	CHIP R 150 J 1/16W	
L201			L40-1085-71	SMALL FIXED INDUCTOR (100NH)		R33			RK73HB1J184J	CHIP R 180K J 1/16W	
L202			L40-5681-86	SMALL FIXED INDUCTOR (0.56UH)		R34			RK73HB1J473J	CHIP R 47K J 1/16W	
L204			L41-4778-45	SMALL FIXED INDUCTOR (47NH)		R35			RK73HB1J102J	CHIP R 1.0K J 1/16W	
L205			L40-5681-86	SMALL FIXED INDUCTOR (0.56UH)		R36			RK73HH1J391D	CHIP R 390 D 1/16W	
L206			L92-0138-05	CHIP FERRITE		R37			RK73HB1J103J	CHIP R 10K J 1/16W	
L207			L40-5681-86	SMALL FIXED INDUCTOR (0.56UH)		R38			RK73HB1J106J	CHIP R 10M J 1/16W	
L208			L92-0138-05	CHIP FERRITE		R39			RK73HB1J472J	CHIP R 4.7K J 1/16W	
L209			L39-1498-05	TOROIDAL COIL		R42,43			RK73HB1J000J	CHIP R 0.0 J 1/16W	
L210			L92-0138-05	CHIP FERRITE		R44			RK73HB1J104J	CHIP R 100K J 1/16W	
L211			L40-1085-92	SMALL FIXED INDUCTOR (100NH)		R45,46			RK73HB1J223J	CHIP R 22K J 1/16W	
L212			L39-1498-05	TOROIDAL COIL		R47			RK73HB1J000J	CHIP R 0.0 J 1/16W	
L213			L40-4775-92	SMALL FIXED INDUCTOR (47NH)		R48			RK73HB1J104J	CHIP R 100K J 1/16W	
L214			L39-1498-05	TOROIDAL COIL		R49			RK73HB1J123J	CHIP R 12K J 1/16W	
L215			L40-4775-92	SMALL FIXED INDUCTOR (47NH)		R51			RK73HB1J473J	CHIP R 47K J 1/16W	
L217-219			L34-4566-05	AIR-CORE COIL		R52			RK73HB1J683J	CHIP R 68K J 1/16W	
L220			L92-0138-05	CHIP FERRITE		R56			RK73HB1J331J	CHIP R 330 J 1/16W	
L221			L34-4566-05	AIR-CORE COIL		R57			RK73HB1J472J	CHIP R 4.7K J 1/16W	
L222			L41-2785-14	SMALL FIXED INDUCTOR (270NH)		R59			RK73HB1J223J	CHIP R 22K J 1/16W	
L223			L40-1585-92	SMALL FIXED INDUCTOR (150NH)		R60			RK73HB1J563J	CHIP R 56K J 1/16W	
L229,230			L34-4605-05	AIR-CORE COIL		R61			RK73HB1J223J	CHIP R 22K J 1/16W	
L401-403			L92-0179-05	CHIP FERRITE	HK	R62			RK73HB1J474J	CHIP R 470K J 1/16W	
L402,403			L92-0179-05	CHIP FERRITE	K	R63			RK73HB1J472J	CHIP R 4.7K J 1/16W	
L404			L92-0639-05	CHIP FERRITE		R64,65			RK73HH1J271D	CHIP R 270 D 1/16W	
L405			L33-1496-05	SMALL FIXED INDUCTOR		R66			RK73HB1J121J	CHIP R 120 J 1/16W	
L406			L33-1462-05	SMALL FIXED INDUCTOR		R67			RK73HB1J151J	CHIP R 150 J 1/16W	
L501-503			L92-0138-05	CHIP FERRITE		R68			RK73HB1J102J	CHIP R 1.0K J 1/16W	
L506-511			L92-0138-05	CHIP FERRITE		R69			RK73HB1J473J	CHIP R 47K J 1/16W	
L512			L92-0140-05	CHIP FERRITE		R70			RK73HB1J154J	CHIP R 150K J 1/16W	
L517,518			L92-0138-05	CHIP FERRITE		R71			RK73HB1J101J	CHIP R 100 J 1/16W	
L521-523			L92-0162-05	BEADS CORE		R72			RK73HB1J332J	CHIP R 3.3K J 1/16W	
L901,902			L92-0140-05	CHIP FERRITE		R73			RK73HB1J103J	CHIP R 10K J 1/16W	
L903-905			L92-0162-05	BEADS CORE		R74			RK73HB1J271J	CHIP R 270 J 1/16W	
X1			L77-3014-05	TCXO (19.2MHZ)		R75			RK73HB1J222J	CHIP R 2.2K J 1/16W	
X501			L77-1802-05	CRYSTAL RESONATOR (32768HZ)		R76			RK73HB1J470J	CHIP R 47 J 1/16W	
X502			L77-3015-05	TCXO (18.432MHZ)		R77			RK73HB1J000J	CHIP R 0.0 J 1/16W	
XF202			L71-0649-05	MCF (58.05MHZ)		R78			RK73HB1J472J	CHIP R 4.7K J 1/16W	
R1,2			RK73HH1J223D	CHIP R 22K D 1/16W		R79			RK73HB1J560J	CHIP R 56 J 1/16W	
R3			RK73HB1J274J	CHIP R 270K J 1/16W		R80			RK73HB1J183J	CHIP R 18K J 1/16W	
R4			RK73HB1J224J	CHIP R 220K J 1/16W		R82			RK73HB1J102J	CHIP R 1.0K J 1/16W	
R5			RK73HB1J101J	CHIP R 100 J 1/16W		R83			RK73GB2A272J	CHIP R 2.7K J 1/10W	
R6,7			RK73HB1J472J	CHIP R 4.7K J 1/16W		R84			RK73HB1J221J	CHIP R 220 J 1/16W	
R9			RK73HB1J472J	CHIP R 4.7K J 1/16W		R85			RK73HB1J474J	CHIP R 470K J 1/16W	
R10			RK73HB1J000J	CHIP R 0.0 J 1/16W		R86			RK73HB1J101J	CHIP R 100 J 1/16W	
R11,12			RK73HB1J100J	CHIP R 10 J 1/16W		R88,89			RK73HB1J000J	CHIP R 0.0 J 1/16W	
R13			RK73HB1J103J	CHIP R 10K J 1/16W		R90,91			RK73GB2A000J	CHIP R 0.0 J 1/10W	
R14,15			RK73HB1J100J	CHIP R 10 J 1/16W		R92,93			RK73HB1J000J	CHIP R 0.0 J 1/16W	
R17			RK73HB1J000J	CHIP R 0.0 J 1/16W		R101			RK73HB1J332J	CHIP R 3.3K J 1/16W	
R18			RK73HB1J100J	CHIP R 10 J 1/16W		R102			RK73HB1J271J	CHIP R 270 J 1/16W	
R20			RK73HB1J102J	CHIP R 1.0K J 1/16W		R103			RK73HB1J180J	CHIP R 18 J 1/16W	
R21			RK73HB1J100J	CHIP R 10 J 1/16W		R104			RK73HB1J271J	CHIP R 270 J 1/16W	
R22			RK73HB1J473J	CHIP R 47K J 1/16W		R105			RK73HB1J333J	CHIP R 33K J 1/16W	
R23			RK73HB1J102J	CHIP R 1.0K J 1/16W		R106			RK73HB1J103J	CHIP R 10K J 1/16W	
R25			RK73HB1J000J	CHIP R 0.0 J 1/16W		R107			RK73HB1J181J	CHIP R 180 J 1/16W	
R26			RK73HB1J474J	CHIP R 470K J 1/16W		R108			RK73GB2A101J	CHIP R 100 J 1/10W	
R27			RK73HB1J104J	CHIP R 100K J 1/16W		R109			RK73HB1J471J	CHIP R 470 J 1/16W	
R28			RK73HB1J473J	CHIP R 47K J 1/16W		R110			RK73GB2A220J	CHIP R 22 J 1/10W	
R29			RK73HB1J683J	CHIP R 68K J 1/16W		R111			RK73HB1J272J	CHIP R 2.7K J 1/16W	
						R112			RK73HB1J182J	CHIP R 1.8K J 1/16W	

NX-700/700H

PARTS LIST

TX-RX UNIT (X57-7380-XX)

Ref. No.	Address	New parts	Parts No.	Description	Destination	Ref. No.	Address	New parts	Parts No.	Description	Destination
R113			RK73GB2A220J	CHIP R 22 J 1/10W		R220			RK73HB1J473J	CHIP R 47K J 1/16W	
R114			RK73HB1J331J	CHIP R 330 J 1/16W		R221			RK73HB1J183J	CHIP R 18K J 1/16W	
R115			RK73HB1J473J	CHIP R 47K J 1/16W	K	R222			RK73HB1J222J	CHIP R 2.2K J 1/16W	
R115			RK73HB1J563J	CHIP R 56K J 1/16W	HK	R223			RK73HB1J274J	CHIP R 270K J 1/16W	
R116			RK73HB1J183J	CHIP R 18K J 1/16W	HK	R224			RK73HB1J103J	CHIP R 10K J 1/16W	
R116			RK73HB1J223J	CHIP R 22K J 1/16W	K	R225			RK73HB1J153J	CHIP R 15K J 1/16W	
R117			RK73HB1J000J	CHIP R 0.0 J 1/16W		R226			RK73HB1J223J	CHIP R 22K J 1/16W	
R119			RK73HB1J103J	CHIP R 10K J 1/16W		R227			RK73HB1J473J	CHIP R 47K J 1/16W	
R120			RK73HB1J473J	CHIP R 47K J 1/16W	K	R228			RK73HB1J104J	CHIP R 100K J 1/16W	
R120			RK73HB1J563J	CHIP R 56K J 1/16W	HK	R229			RK73HB1J223J	CHIP R 22K J 1/16W	
R121			RK73HB1J104J	CHIP R 100K J 1/16W		R231			RK73HB1J222J	CHIP R 2.2K J 1/16W	
R122			RK73HB1J332J	CHIP R 3.3K J 1/16W		R232			RK73HB1J103J	CHIP R 10K J 1/16W	
R123			RK73FB2B221J	CHIP R 220 J 1/8W	HK	R234			RK73HB1J221J	CHIP R 220 J 1/16W	
R123			RK73FB2B271J	CHIP R 270 J 1/8W	K	R235			RK73HB1J101J	CHIP R 100 J 1/16W	
R124,125			RK73FB2B390J	CHIP R 39 J 1/8W	K	R236			RK73HB1J104J	CHIP R 100K J 1/16W	
R124,125			RK73FB2B470J	CHIP R 47 J 1/8W	HK	R238			RK73HB1J000J	CHIP R 0.0 J 1/16W	
R126			RK73HB1J104J	CHIP R 100K J 1/16W		R239			RK73HB1J103J	CHIP R 10K J 1/16W	
R127			RK73FB2B221J	CHIP R 220 J 1/8W	HK	R240			RK73HB1J104J	CHIP R 100K J 1/16W	
R127			RK73FB2B271J	CHIP R 270 J 1/8W	K	R242			RK73HB1J221J	CHIP R 220 J 1/16W	
R130			RK73HB1J104J	CHIP R 100K J 1/16W		R243			RK73HB1J101J	CHIP R 100 J 1/16W	
R131			RK73HB1J221J	CHIP R 220 J 1/16W		R244			RK73HB1J000J	CHIP R 0.0 J 1/16W	
R132			RK73HB1J104J	CHIP R 100K J 1/16W	HK	R245			RK73HB1J104J	CHIP R 100K J 1/16W	
R132			RK73HB1J334J	CHIP R 330K J 1/16W	K	R247			RK73HB1J104J	CHIP R 100K J 1/16W	
R134			RK73HB1J104J	CHIP R 100K J 1/16W		R248			RK73HB1J474J	CHIP R 470K J 1/16W	
R135			RK73HB1J334J	CHIP R 330K J 1/16W	K	R250			RK73HB1J000J	CHIP R 0.0 J 1/16W	
R135			RK73HB1J394J	CHIP R 390K J 1/16W	HK	R256			RK73HB1J181J	CHIP R 180 J 1/16W	
R137			RK73EB2E241J	CHIP R 240 J 1/4W		R257			RK73HB1J000J	CHIP R 0.0 J 1/16W	
R138			RK73HB1J104J	CHIP R 100K J 1/16W	HK	R261			RK73HB1J000J	CHIP R 0.0 J 1/16W	
R138-140			RK73HB1J104J	CHIP R 100K J 1/16W	K	R263			RK73HB1J470J	CHIP R 47 J 1/16W	
R139			RK73HB1J124J	CHIP R 120K J 1/16W	HK	R264			RK73HB1J472J	CHIP R 4.7K J 1/16W	
R140			RK73HB1J104J	CHIP R 100K J 1/16W	HK	R265			RK73HB1J332J	CHIP R 3.3K J 1/16W	
R141			RK73GB2A000J	CHIP R 0.0 J 1/10W		R266			RK73HB1J103J	CHIP R 10K J 1/16W	
R142			RK73HB1J394J	CHIP R 390K J 1/16W	HK	R267			RK73HB1J222J	CHIP R 2.2K J 1/16W	
R142			RK73HB1J824J	CHIP R 820K J 1/16W	K	R268			RK73HB1J271J	CHIP R 270 J 1/16W	
R143			RK73HB1J823J	CHIP R 82K J 1/16W	K	R269			RK73HB1J470J	CHIP R 47 J 1/16W	
R143,144			RK73HB1J104J	CHIP R 100K J 1/16W	HK	R270			RK73HB1J680J	CHIP R 68 J 1/16W	
R144,145			RK73HB1J104J	CHIP R 100K J 1/16W	K	R271			RK73HB1J222J	CHIP R 2.2K J 1/16W	
R145			RK73HB1J473J	CHIP R 47K J 1/16W	HK	R273			RK73HB1J000J	CHIP R 0.0 J 1/16W	
R146			RK73HB1J124J	CHIP R 120K J 1/16W	HK	R274			RK73HB1J102J	CHIP R 1.0K J 1/16W	
R146			RK73HB1J823J	CHIP R 82K J 1/16W	K	R275			RK73HB1J181J	CHIP R 180 J 1/16W	
R147			RK73HB1J822J	CHIP R 8.2K J 1/16W		R276			RK73GB2A330J	CHIP R 33 J 1/10W	
R148			RK73HB1J563J	CHIP R 56K J 1/16W		R277			RK73HB1J121J	CHIP R 120 J 1/16W	
R149			RK73HB1J154J	CHIP R 150K J 1/16W		R278			RK73HB1J181J	CHIP R 180 J 1/16W	
R150			R92-1061-05	JUMPER REST 0 OHM		R279			RK73HB1J470J	CHIP R 47 J 1/16W	
R154			RK73EB2E241J	CHIP R 240 J 1/4W		R280			RK73HB1J102J	CHIP R 1.0K J 1/16W	
R156			RK73HB1J000J	CHIP R 0.0 J 1/16W		R281			RK73HB1J121J	CHIP R 120 J 1/16W	
R161			RK73HB1J332J	CHIP R 3.3K J 1/16W		R282,283			RK73HB1J104J	CHIP R 100K J 1/16W	
R201			RK73HB1J153J	CHIP R 15K J 1/16W		R284			RK73HB1J103J	CHIP R 10K J 1/16W	
R202			RK73HB1J470J	CHIP R 47 J 1/16W		R285			RK73HB1J000J	CHIP R 0.0 J 1/16W	
R203,204			RK73HB1J223J	CHIP R 22K J 1/16W		R286			RK73HB1J104J	CHIP R 100K J 1/16W	
R205			RK73HB1J334J	CHIP R 330K J 1/16W		R287			RK73HB1J274J	CHIP R 270K J 1/16W	
R206,207			RK73HB1J223J	CHIP R 22K J 1/16W		R288			RK73HB1J104J	CHIP R 100K J 1/16W	
R208			RK73HB1J153J	CHIP R 15K J 1/16W		R290,291			RK73HB1J104J	CHIP R 100K J 1/16W	
R209,210			RK73HB1J100J	CHIP R 10 J 1/16W		R292			RK73HB1J103J	CHIP R 10K J 1/16W	
R211			RK73HB1J102J	CHIP R 1.0K J 1/16W		R294			RK73HB1J221J	CHIP R 220 J 1/16W	
R212			RK73HB1J000J	CHIP R 0.0 J 1/16W		R296			RK73HB1J274J	CHIP R 270K J 1/16W	
R213			RK73HB1J102J	CHIP R 1.0K J 1/16W		R297			RK73HB1J104J	CHIP R 100K J 1/16W	
R215			RK73HB1J272J	CHIP R 2.7K J 1/16W		R299			RK73HB1J104J	CHIP R 100K J 1/16W	
R216			RK73HB1J000J	CHIP R 0.0 J 1/16W		R301			RK73HB1J120J	CHIP R 12 J 1/16W	
R218,219			RK73HB1J103J	CHIP R 10K J 1/16W		R302			RK73HB1J000J	CHIP R 0.0 J 1/16W	

PARTS LIST

TX-RX UNIT (X57-7380-XX)

Ref. No.	Address	New parts	Parts No.	Description	Destination	Ref. No.	Address	New parts	Parts No.	Description	Destination
R303			RK73HB1J104J	CHIP R 100K J 1/16W		R443			RK73HH1J223D	CHIP R 22K D 1/16W	
R304			RK73HB1J222J	CHIP R 2.2K J 1/16W		R444			RK73HB1J272J	CHIP R 2.7K J 1/16W	
R305			RK73HB1J000J	CHIP R 0.0 J 1/16W		R445			RK73HB1J473J	CHIP R 47K J 1/16W	
R306			RK73HB1J472J	CHIP R 4.7K J 1/16W		R446			RK73GB2A100J	CHIP R 10 J 1/10W	
R307			RK73HB1J102J	CHIP R 1.0K J 1/16W		R447			RK73HB1J473J	CHIP R 47K J 1/16W	
R310			RK73HB1J000J	CHIP R 0.0 J 1/16W		R448			RK73HB1J000J	CHIP R 0.0 J 1/16W	
R313			RK73HB1J000J	CHIP R 0.0 J 1/16W		R449			RK73GB2A220J	CHIP R 22 J 1/10W	
R314			RK73HB1J152J	CHIP R 1.5K J 1/16W		R450			RK73HB1J000J	CHIP R 0.0 J 1/16W	
R315			RK73HB1J000J	CHIP R 0.0 J 1/16W		R501			RK73HB1J104J	CHIP R 100K J 1/16W	
R319			RK73HB1J104J	CHIP R 100K J 1/16W		R503			RK73HB1J102J	CHIP R 1.0K J 1/16W	
R320-322			RK73HB1J000J	CHIP R 0.0 J 1/16W		R504			RK73HB1J104J	CHIP R 100K J 1/16W	
R324,325			RK73HB1J182J	CHIP R 1.8K J 1/16W		R506			RK73HB1J474J	CHIP R 470K J 1/16W	
R327			RK73HB1J332J	CHIP R 3.3K J 1/16W		R507			RK73HB1J000J	CHIP R 0.0 J 1/16W	
R328			RK73HB1J102J	CHIP R 1.0K J 1/16W		R509			RK73HB1J000J	CHIP R 0.0 J 1/16W	
R329			RK73HB1J562J	CHIP R 5.6K J 1/16W		R510			RK73HB1J474J	CHIP R 470K J 1/16W	
R330			RK73GB2A100J	CHIP R 10 J 1/10W		R511			RK73HB1J220J	CHIP R 22 J 1/16W	
R331			RK73HB1J473J	CHIP R 47K J 1/16W		R512			RK73HB1J104J	CHIP R 100K J 1/16W	
R332			RK73HB1J000J	CHIP R 0.0 J 1/16W		R514			RK73HB1J000J	CHIP R 0.0 J 1/16W	
R333			RK73HB1J102J	CHIP R 1.0K J 1/16W		R515,516			RK73HB1J104J	CHIP R 100K J 1/16W	
R334			RK73HB1J000J	CHIP R 0.0 J 1/16W		R520,521			RK73HB1J473J	CHIP R 47K J 1/16W	
R338			RK73HB1J103J	CHIP R 10K J 1/16W		R522			RK73HB1J474J	CHIP R 470K J 1/16W	
R339			RK73HB1J000J	CHIP R 0.0 J 1/16W		R523			RK73HB1J473J	CHIP R 47K J 1/16W	
R340,341			RK73GB2A000J	CHIP R 0.0 J 1/10W		R524			RK73HB1J000J	CHIP R 0.0 J 1/16W	
R342,343			RK73HB1J000J	CHIP R 0.0 J 1/16W		R525			RK73HB1J104J	CHIP R 100K J 1/16W	
R346			RK73HB1J223J	CHIP R 22K J 1/16W		R527			RK73HB1J104J	CHIP R 100K J 1/16W	
R347			RK73HB1J000J	CHIP R 0.0 J 1/16W		R528,529			RK73HB1J000J	CHIP R 0.0 J 1/16W	
R352,353			RK73HB1J000J	CHIP R 0.0 J 1/16W		R531			RK73HB1J104J	CHIP R 100K J 1/16W	
R401			RK73HH1J105D	CHIP R 1.0M D 1/16W		R532			RK73HB1J101J	CHIP R 100 J 1/16W	
R402			RK73HB1J471J	CHIP R 470 J 1/16W		R533,534			RK73HB1J000J	CHIP R 0.0 J 1/16W	
R403			RK73HH1J104D	CHIP R 100K D 1/16W		R536,537			RK73HB1J000J	CHIP R 0.0 J 1/16W	
R404			RK73HB1J103J	CHIP R 10K J 1/16W		R538			RK73HB1J101J	CHIP R 100 J 1/16W	
R405			RK73HH1J274D	CHIP R 270K D 1/16W		R539			RK73HB1J000J	CHIP R 0.0 J 1/16W	
R406			RK73HH1J104D	CHIP R 100K D 1/16W		R540,541			RK73HB1J101J	CHIP R 100 J 1/16W	
R407			RK73HB1J473J	CHIP R 47K J 1/16W		R542			RK73HB1J104J	CHIP R 100K J 1/16W	
R408			RK73HB1J103J	CHIP R 10K J 1/16W		R543			RK73HB1J000J	CHIP R 0.0 J 1/16W	
R409			RK73HB1J683J	CHIP R 68K J 1/16W		R544			RK73HB1J104J	CHIP R 100K J 1/16W	
R410			RK73HB1J684J	CHIP R 680K J 1/16W		R545			RK73HB1J000J	CHIP R 0.0 J 1/16W	
R411			RK73HB1J104J	CHIP R 100K J 1/16W		R548			RK73GB2A000J	CHIP R 0.0 J 1/10W	
R413			RK73HB1J474J	CHIP R 470K J 1/16W		R551			RK73HB1J101J	CHIP R 100 J 1/16W	
R415			RK73HB1J332J	CHIP R 3.3K J 1/16W		R552-554			RK73HB1J104J	CHIP R 100K J 1/16W	
R417			RK73HB1J473J	CHIP R 47K J 1/16W		R556-558			RK73HB1J104J	CHIP R 100K J 1/16W	
R418,419			RK73HB1J103J	CHIP R 10K J 1/16W		R560			RK73HB1J000J	CHIP R 0.0 J 1/16W	
R420			RK73HB1J473J	CHIP R 47K J 1/16W		R561			RK73HB1J473J	CHIP R 47K J 1/16W	
R421			RK73HB1J474J	CHIP R 470K J 1/16W		R562			RK73GB2A000J	CHIP R 0.0 J 1/10W	
R422			RK73HB1J103J	CHIP R 10K J 1/16W		R565			RK73GB2A000J	CHIP R 0.0 J 1/10W	
R423-425			RK73GB2A472J	CHIP R 4.7K J 1/10W		R567			RK73HB1J151J	CHIP R 150 J 1/16W	
R426			RK73HB1J474J	CHIP R 470K J 1/16W		R568			RK73HB1J102J	CHIP R 1.0K J 1/16W	
R428,429			RK73HB1J103J	CHIP R 10K J 1/16W		R569			RK73HB1J220J	CHIP R 22 J 1/16W	
R430			RK73HH1J124D	CHIP R 120K D 1/16W		R572			RK73HB1J220J	CHIP R 22 J 1/16W	
R431			RK73HH1J183D	CHIP R 18K D 1/16W		R574			RK73GB2A000J	CHIP R 0.0 J 1/10W	
R432			RK73HH1J223D	CHIP R 22K D 1/16W		R575			RK73HB1J103J	CHIP R 10K J 1/16W	
R433			RK73HB1J102J	CHIP R 1.0K J 1/16W		R576			RK73HB1J000J	CHIP R 0.0 J 1/16W	
R434			RK73HB1J330J	CHIP R 33 J 1/16W		R577			RK73HB1J102J	CHIP R 1.0K J 1/16W	
R435			RK73GB2A100J	CHIP R 10 J 1/10W		R578-580			RK73HB1J000J	CHIP R 0.0 J 1/16W	
R436			RK73HB1J000J	CHIP R 0.0 J 1/16W		R581			RK73HB1J474J	CHIP R 470K J 1/16W	
R437			RK73HB1J474J	CHIP R 470K J 1/16W		R582-586			RK73HB1J000J	CHIP R 0.0 J 1/16W	
R438			RK73HB1J154J	CHIP R 150K J 1/16W		R587			RK73HB1J102J	CHIP R 1.0K J 1/16W	
R440			RK73HB1J102J	CHIP R 1.0K J 1/16W		R588-590			RK73HB1J000J	CHIP R 0.0 J 1/16W	
R441			RK73HB1J123J	CHIP R 12K J 1/16W		R591			RK73HB1J102J	CHIP R 1.0K J 1/16W	
R442			RK73HH1J334D	CHIP R 330K D 1/16W		R592,593			RK73HB1J000J	CHIP R 0.0 J 1/16W	

NX-700/700H

PARTS LIST

TX-RX UNIT (X57-7380-XX)

Ref. No.	Address	New parts	Parts No.	Description	Destination	Ref. No.	Address	New parts	Parts No.	Description	Destination
R594			RK73HB1J102J	CHIP R 1.0K J 1/16W		R713			RK73HB1J563J	CHIP R 56K J 1/16W	
R595			RK73HB1J000J	CHIP R 0.0 J 1/16W		R714			RK73HB1J104J	CHIP R 100K J 1/16W	
R596			RK73HB1J104J	CHIP R 100K J 1/16W		R715			RK73HB1J473J	CHIP R 47K J 1/16W	
R597			RK73HB1J102J	CHIP R 1.0K J 1/16W		R716			RK73HB1J000J	CHIP R 0.0 J 1/16W	
R598-601			RK73FB2B102J	CHIP R 1.0K J 1/8W		R717			RK73HB1J473J	CHIP R 47K J 1/16W	
R602			RK73HB1J102J	CHIP R 1.0K J 1/16W		R718			RK73HB1J000J	CHIP R 0.0 J 1/16W	
R603,604			RK73HB1J000J	CHIP R 0.0 J 1/16W		R720			RK73HB1J104J	CHIP R 100K J 1/16W	
R605			RK73HB1J102J	CHIP R 1.0K J 1/16W		R721			RK73HB1J222J	CHIP R 2.2K J 1/16W	
R606			RK73HB1J103J	CHIP R 10K J 1/16W		R722			RK73HB1J683J	CHIP R 68K J 1/16W	
R607,608			RK73HB1J102J	CHIP R 1.0K J 1/16W		R724			RK73HB1J563J	CHIP R 56K J 1/16W	
R610			RK73HB1J102J	CHIP R 1.0K J 1/16W		R725			RK73HB1J683J	CHIP R 68K J 1/16W	
R611,612			RK73HB1J105J	CHIP R 1.0M J 1/16W		R726			RK73HB1J100J	CHIP R 10 J 1/16W	
R614			RK73HB1J474J	CHIP R 470K J 1/16W		R727			RK73HB1J274J	CHIP R 270K J 1/16W	
R615,616			RK73HB1J000J	CHIP R 0.0 J 1/16W		R728			RK73HB1J000J	CHIP R 0.0 J 1/16W	
R617-620			RK73HB1J102J	CHIP R 1.0K J 1/16W		R729			RK73HB1J104J	CHIP R 100K J 1/16W	
R621,622			RK73HB1J000J	CHIP R 0.0 J 1/16W		R730			RK73HB1J103J	CHIP R 10K J 1/16W	
R623-625			RK73HB1J104J	CHIP R 100K J 1/16W		R731			RK73HB1J000J	CHIP R 0.0 J 1/16W	
R627,628			RK73HB1J104J	CHIP R 100K J 1/16W		R732			RK73HB1J473J	CHIP R 47K J 1/16W	
R629			RK73HB1J105J	CHIP R 1.0M J 1/16W		R733			RK73HB1J333J	CHIP R 33K J 1/16W	
R630			RK73HB1J102J	CHIP R 1.0K J 1/16W		R734			RK73HB1J223J	CHIP R 22K J 1/16W	
R632			RK73HB1J103J	CHIP R 10K J 1/16W		R737			RK73HB1J473J	CHIP R 47K J 1/16W	
R633			RK73HB1J000J	CHIP R 0.0 J 1/16W		R738			RK73HB1J102J	CHIP R 1.0K J 1/16W	
R634			RK73HB1J103J	CHIP R 10K J 1/16W		R739			RK73HB1J000J	CHIP R 0.0 J 1/16W	
R636			RK73HB1J000J	CHIP R 0.0 J 1/16W		R740,741			RK73HB1J104J	CHIP R 100K J 1/16W	
R637			RK73HB1J103J	CHIP R 10K J 1/16W		R744			RK73HB1J473J	CHIP R 47K J 1/16W	
R638			RK73HB1J104J	CHIP R 100K J 1/16W		R745			RK73HB1J104J	CHIP R 100K J 1/16W	
R639			RK73HB1J102J	CHIP R 1.0K J 1/16W		R746			RK73HB1J103J	CHIP R 10K J 1/16W	
R640			RK73HB1J103J	CHIP R 10K J 1/16W		R747			RK73HB1J334J	CHIP R 330K J 1/16W	
R641,642			RK73HB1J104J	CHIP R 100K J 1/16W		R748			RK73HB1J000J	CHIP R 0.0 J 1/16W	
R644			RK73GB2A000J	CHIP R 0.0 J 1/10W		R749			RK73HB1J823J	CHIP R 82K J 1/16W	
R646			RK73HB1J682J	CHIP R 6.8K J 1/16W		R750			RK73HB1J332J	CHIP R 3.3K J 1/16W	
R648			RK73HB1J682J	CHIP R 6.8K J 1/16W		R751			RK73HB1J271J	CHIP R 270 J 1/16W	
R650			RK73GB2A000J	CHIP R 0.0 J 1/10W		R752			RK73HB1J102J	CHIP R 1.0K J 1/16W	
R651			RK73FB2B102J	CHIP R 1.0K J 1/8W		R753			RK73HB1J563J	CHIP R 56K J 1/16W	
R652			RK73HB1J104J	CHIP R 100K J 1/16W		R755			RK73HB1J103J	CHIP R 10K J 1/16W	
R654			RK73GB2A000J	CHIP R 0.0 J 1/10W		R756			RK73HB1J153J	CHIP R 15K J 1/16W	
R656			RK73HB1J471J	CHIP R 470 J 1/16W		R758			RK73HB1J103J	CHIP R 10K J 1/16W	
R658			RK73GB2A000J	CHIP R 0.0 J 1/10W		R759			RK73HB1J104J	CHIP R 100K J 1/16W	
R659-661			RK73HB1J104J	CHIP R 100K J 1/16W		R760			RK73HB1J152J	CHIP R 1.5K J 1/16W	
R662,663			RK73HB1J474J	CHIP R 470K J 1/16W		R761			RK73HB1J104J	CHIP R 100K J 1/16W	
R664-674			RK73HB1J104J	CHIP R 100K J 1/16W		R762			RK73HB1J474J	CHIP R 470K J 1/16W	
R676			RK73HB1J104J	CHIP R 100K J 1/16W		R763			RK73HB1J183J	CHIP R 18K J 1/16W	
R677			RK73HB1J474J	CHIP R 470K J 1/16W		R764			RK73HB1J124J	CHIP R 120K J 1/16W	
R678			RK73HB1J104J	CHIP R 100K J 1/16W		R765			RK73HB1J102J	CHIP R 1.0K J 1/16W	
R680-683			RK73HB1J000J	CHIP R 0.0 J 1/16W		R766			RK73HB1J104J	CHIP R 100K J 1/16W	
R684-686			RK73HB1J104J	CHIP R 100K J 1/16W		R767,768			RK73HB1J473J	CHIP R 47K J 1/16W	
R687,688			RK73HB1J472J	CHIP R 4.7K J 1/16W		R769			RK73HB1J472J	CHIP R 4.7K J 1/16W	
R689,690			RK73HB1J474J	CHIP R 470K J 1/16W		R770			RK73HB1J563J	CHIP R 56K J 1/16W	
R691-696			RK73HB1J104J	CHIP R 100K J 1/16W		R771			RK73HB1J104J	CHIP R 100K J 1/16W	
R697,698			RK73HB1J000J	CHIP R 0.0 J 1/16W		R772			RK73HB1J123J	CHIP R 12K J 1/16W	
R701			RK73HB1J104J	CHIP R 100K J 1/16W		R773			RK73HB1J684J	CHIP R 680K J 1/16W	
R703			RK73HB1J103J	CHIP R 10K J 1/16W		R774			RK73HB1J474J	CHIP R 470K J 1/16W	
R704			RK73HB1J563J	CHIP R 56K J 1/16W		R775			RK73HB1J823J	CHIP R 82K J 1/16W	
R705			RK73HB1J104J	CHIP R 100K J 1/16W		R776			RK73HB1J334J	CHIP R 330K J 1/16W	
R706			RK73HB1J683J	CHIP R 68K J 1/16W		R777			RK73HB1J154J	CHIP R 150K J 1/16W	
R707			RK73HB1J153J	CHIP R 15K J 1/16W		R778			RK73HB1J394J	CHIP R 390K J 1/16W	
R708			RK73HB1J683J	CHIP R 68K J 1/16W		R779			RK73HB1J474J	CHIP R 470K J 1/16W	
R709			RK73HB1J822J	CHIP R 8.2K J 1/16W		R780,781			RK73HB1J104J	CHIP R 100K J 1/16W	
R710			RK73HB1J104J	CHIP R 100K J 1/16W		R782			RK73HB1J153J	CHIP R 15K J 1/16W	
R712			RK73HB1J683J	CHIP R 68K J 1/16W		R783			RK73HB1J000J	CHIP R 0.0 J 1/16W	

PARTS LIST

TX-RX UNIT (X57-7380-XX)

Ref. No.	Address	New parts	Parts No.	Description	Destination	Ref. No.	Address	New parts	Parts No.	Description	Destination
R784			RK73HB1J154J	CHIP R 150K J 1/16W		D19-21			HVC131	DIODE	
R785			RK73HB1J103J	CHIP R 10K J 1/16W		D101			HVC131	DIODE	
R786			RK73HB1J393J	CHIP R 39K J 1/16W		D102			02DZ5.6F-X,Y	ZENER DIODE	
R787			RK73HB1J274J	CHIP R 270K J 1/16W		D103,104			L407CDB	DIODE (50V/1W)	HK
R788			RK73HB1J223J	CHIP R 22K J 1/16W		D104			L407CDB	DIODE (50V/1W)	K
R789			RK73HB1J000J	CHIP R 0.0 J 1/16W		D105			L7091CER	DIODE	
R790			RK73HB1J224J	CHIP R 220K J 1/16W		D107-109			HSM88AS-E	DIODE	
R791			RK73HB1J564J	CHIP R 560K J 1/16W		D201,202			DAN235E	DIODE	
R792			RK73HB1J102J	CHIP R 1.0K J 1/16W		D205			HVC131	DIODE	
R793,794			RK73HB1J000J	CHIP R 0.0 J 1/16W		D207-210			1SV283F	VARIABLE CAPACITANCE DIODE	
R795			RK73HB1J224J	CHIP R 220K J 1/16W		D213			1SV283F	VARIABLE CAPACITANCE DIODE	
R796			RK73HB1J103J	CHIP R 10K J 1/16W		D215			HVC131	DIODE	
R797			RK73HB1J334J	CHIP R 330K J 1/16W		D216-218			1SV283F	VARIABLE CAPACITANCE DIODE	
R798			RK73HB1J684J	CHIP R 680K J 1/16W		D401			02DZ18F-X	ZENER DIODE	
R799			RK73HB1J563J	CHIP R 56K J 1/16W		D403			1SS416	DIODE	
R800			RK73HB1J472J	CHIP R 4.7K J 1/16W		D404			22ZR-10D	SURGE ABSORBER	
R801			RK73HB1J104J	CHIP R 100K J 1/16W		D405			DSA3A1	DIODE	
R802			RK73HB1J273J	CHIP R 27K J 1/16W		D406			HSC119	DIODE	
R803			RK73HB1J153J	CHIP R 15K J 1/16W		D407			CRS02-Q	DIODE	
R804			RK73HB1J681J	CHIP R 680 J 1/16W		D408			1SS301F	DIODE	
R805			RK73HB1J823J	CHIP R 82K J 1/16W		D409-412			1SS388F	DIODE	
R806			RK73HB1J562J	CHIP R 5.6K J 1/16W		D501,502			1SS388F	DIODE	
R807,808			RK73HB1J103J	CHIP R 10K J 1/16W		D503,504			1SS416	DIODE	
R809			RK73HB1J104J	CHIP R 100K J 1/16W		D506,507			1SS416	DIODE	
R810			RK73HB1J102J	CHIP R 1.0K J 1/16W		D508			DA204U	DIODE	
R812,813			RK73HB1J472J	CHIP R 4.7K J 1/16W		D509,510			1SS416	DIODE	
R814-816			RK73HB1J104J	CHIP R 100K J 1/16W		D511,512			DA204U	DIODE	
R817			RK73HB1J473J	CHIP R 47K J 1/16W		D702			HSC119	DIODE	
R818			RK73HB1J333J	CHIP R 33K J 1/16W		D703-705			RB706F-40	DIODE	
R819			RK73HB1J000J	CHIP R 0.0 J 1/16W		D706,707			EMZ6.8N	ZENER DIODE	
R820			RK73HB1J474J	CHIP R 470K J 1/16W		D901-904			DA204U	DIODE	
R821			RK73HB1J000J	CHIP R 0.0 J 1/16W		D905,906			02DZ18F-X	ZENER DIODE	
R822			RK73HB1J101J	CHIP R 100 J 1/16W		D907,908			DA204U	DIODE	
R823			RK73HB1J472J	CHIP R 4.7K J 1/16W		D909			1SS355	DIODE	
R825,826			RK73HB1J103J	CHIP R 10K J 1/16W		D910			02DZ18F-X	ZENER DIODE	
R827			RK73HB1J332J	CHIP R 3.3K J 1/16W		D911,912			DA204U	DIODE	
R828			RK73HB1J000J	CHIP R 0.0 J 1/16W		D913			1SS355	DIODE	
R831			RK73HB1J000J	CHIP R 0.0 J 1/16W		D914			02DZ18F-X	ZENER DIODE	
R833-835			RK73HB1J101J	CHIP R 100 J 1/16W		IC1			LMC7101BIM5	MOS-IC	
R836			RK73HB1J000J	CHIP R 0.0 J 1/16W		IC2			LM73CIMKX-0	MOS-IC	
R837			RK73HB1J472J	CHIP R 4.7K J 1/16W		IC3			Note 1	MOS-IC	
R838			RK73HB1J000J	CHIP R 0.0 J 1/16W		IC4			LMC7101BIM5	MOS-IC	
R841			RK73HB1J000J	CHIP R 0.0 J 1/16W		IC5			TC75W51FK(F)	MOS-IC	
R842			RK73FB2B102J	CHIP R 1.0K J 1/8W		IC101			NJM2904V-ZB	MOS-IC	
R843			RK73HB1J471J	CHIP R 470 J 1/16W		IC102	2A		RA30H1317M123	MOS-IC	K
R845			RK73HB1J102J	CHIP R 1.0K J 1/16W		IC102	2A		RA60H13171123	MOS-IC	HK
R846			RK73HB1J332J	CHIP R 3.3K J 1/16W		IC103			NJM2904V-ZB	MOS-IC	
R901			RK73GB2A471J	CHIP R 470 J 1/10W		IC201			MCP6021-E/OT	MOS-IC	
R902,903			RK73HB1J101J	CHIP R 100 J 1/16W		IC202			TK10931VTL-G	ANALOGUE IC	
R904-913			RK73HB1J471J	CHIP R 470 J 1/16W		IC203			TC75W51FK(F)	MOS-IC	
R914			RK73GB2A471J	CHIP R 470 J 1/10W		IC204			SPM5001	MOS-IC	
R915			RK73HB1J000J	CHIP R 0.0 J 1/16W		IC205,206			LMC7101BIM5	MOS-IC	
R918,919			RK73HB1J000J	CHIP R 0.0 J 1/16W		IC401			XC6108C23CMN	MOS-IC	
R921			RK73HB1J474J	CHIP R 470K J 1/16W		IC402			XC6204B332P1	ANALOGUE IC	
R922			RK73HB1J000J	CHIP R 0.0 J 1/16W		IC403	2A		NJM78M08FA-ZB	ANALOGUE IC	
D3			DA221	DIODE		IC404			TA7805FQ	MOS-IC	
D5,6			HVC131	DIODE		IC405			LT1616ES6-PBF	ANALOGUE IC	
D7,8			1SV325F	VARIABLE CAPACITANCE DIODE		IC406			TK71733S	BI-POLAR IC	
D11-16			1SV282-F	VARIABLE CAPACITANCE DIODE		IC407,408			XC6204B332M	MOS-IC	
D18			1SV278F	VARIABLE CAPACITANCE DIODE		IC409			XC6205B152PRN	ANALOGUE IC	

Note 1: This part cannot be replaced. Therefore, this part is not supplied as a service part.
If a part reference number is listed in a shaded box, that part does not come with the PCB.

NX-700/700H

PARTS LIST

TX-RX UNIT (X57-7380-XX)

Ref. No.	Address	New parts	Parts No.	Description	Destination	Ref. No.	Address	New parts	Parts No.	Description	Destination
IC410			XC9101D09AKR	ANALOGUE IC		Q413-415			DTC114EE	DIGITAL TRANSISTOR	
IC501			Note 1 (BGA)	ROM IC		Q416			SSM6L05FU-F	FET	
IC502			Note 1 (BGA)	MICROPROCESSOR IC		Q417			SSM5H01TU-F	FET	
IC503			Note 1 (BGA)	SRAM IC		Q501			UPA672T-A	FET	
IC504			RV5C386A	MOS-IC		Q701			SSM3K15TE(F)	FET	
IC505			TC7SH08FU-F	MOS-IC		Q702			2SC4617(Q)	TRANSISTOR	
IC506			XC6109C29ANN	ANALOGUE IC		Q703			SSM3K15TE(F)	FET	
IC507			TC7SH126FU-F	MOS-IC		Q704			2SC4738(GR)F	TRANSISTOR	
IC508			SM5023CNDH-G	MOS-IC		Q705			2SA1832(GR)F	TRANSISTOR	
IC509			TC7WT125FUF	MOS-IC		Q706,707			2SJ243-A	FET	
IC510			Note 1 (BGA)	MOS-IC		Q708			2SA1832(GR)F	TRANSISTOR	
IC511			TC7SH08FU-F	MOS-IC		Q709			DTC114EE	DIGITAL TRANSISTOR	
IC512,513			TC7SET08FU-F	MOS-IC		Q710			DTC363EU	DIGITAL TRANSISTOR	
IC514			TC7WBD125AFK	MOS-IC		Q901,902			QSX6	TRANSISTOR	
IC515			TC7WT126FU-F	MOS-IC		TH101,102			ERTJ0EV104H	THERMISTOR	
IC516			TC7WH126FU-F	MOS-IC		TH701			ERTJ0EV104H	THERMISTOR	
IC517			Note 1	MOS-IC							
IC518			ADM202EARNZ	MOS-IC							
IC701			TC75S51FE(F)	MOS-IC							
IC702,703			TC75W51FK(F)	MOS-IC							
IC704			MCP6021-E/OT	MOS-IC							
IC705,706			TC75W51FK(F)	MOS-IC							
IC707,708			TC7W53FK(F)	MOS-IC							
IC709			TC75W51FK(F)	MOS-IC							
IC710			TC7W53FK(F)	MOS-IC							
IC711			TC75W51FK(F)	MOS-IC							
IC712			M62364FP-F	MOS-IC							
IC713			TC7W53FK(F)	MOS-IC							
IC714			TC75S51FE(F)	MOS-IC							
IC715	2A		LA4425A	MOS-IC							
Q1			2SC5383-T111	TRANSISTOR							
Q2			DTA114YE	DIGITAL TRANSISTOR							
Q3			SSM3K15TE(F)	FET							
Q5			EMD9	TRANSISTOR							
Q6			2SC5636	TRANSISTOR							
Q7			2SC5383-T111	TRANSISTOR							
Q9,10			2SK508NV(K52)	FET							
Q11			SSM6L05FU-F	FET							
Q12			2SJ347F	FET							
Q13,14			2SC5636	TRANSISTOR							
Q15			2SK1215-E(E)	FET							
Q101			2SC5108(Y)F	TRANSISTOR							
Q102			2SC5455-A	TRANSISTOR							
Q105			DTC114EE	DIGITAL TRANSISTOR							
Q106			2SK1830F	FET							
Q201			DTA114EE	DIGITAL TRANSISTOR							
Q202			DTC114EE	DIGITAL TRANSISTOR							
Q203			2SC5636	TRANSISTOR							
Q204,205			2SC3356(R23)	TRANSISTOR							
Q208			2SC5636	TRANSISTOR							
Q210			2SC3357-A	TRANSISTOR							
Q212			EMD9	TRANSISTOR							
Q401,402			DTC114EE	DIGITAL TRANSISTOR							
Q403			DTC114TE	DIGITAL TRANSISTOR							
Q404			2SJ645	FET							
Q405			2SA1955A-F	TRANSISTOR							
Q406			UPA672T-A	FET							
Q407-409			12A02CH	TRANSISTOR							
Q410			SSM3K15TE(F)	FET							
Q411,412			2SA1955A-F	TRANSISTOR							