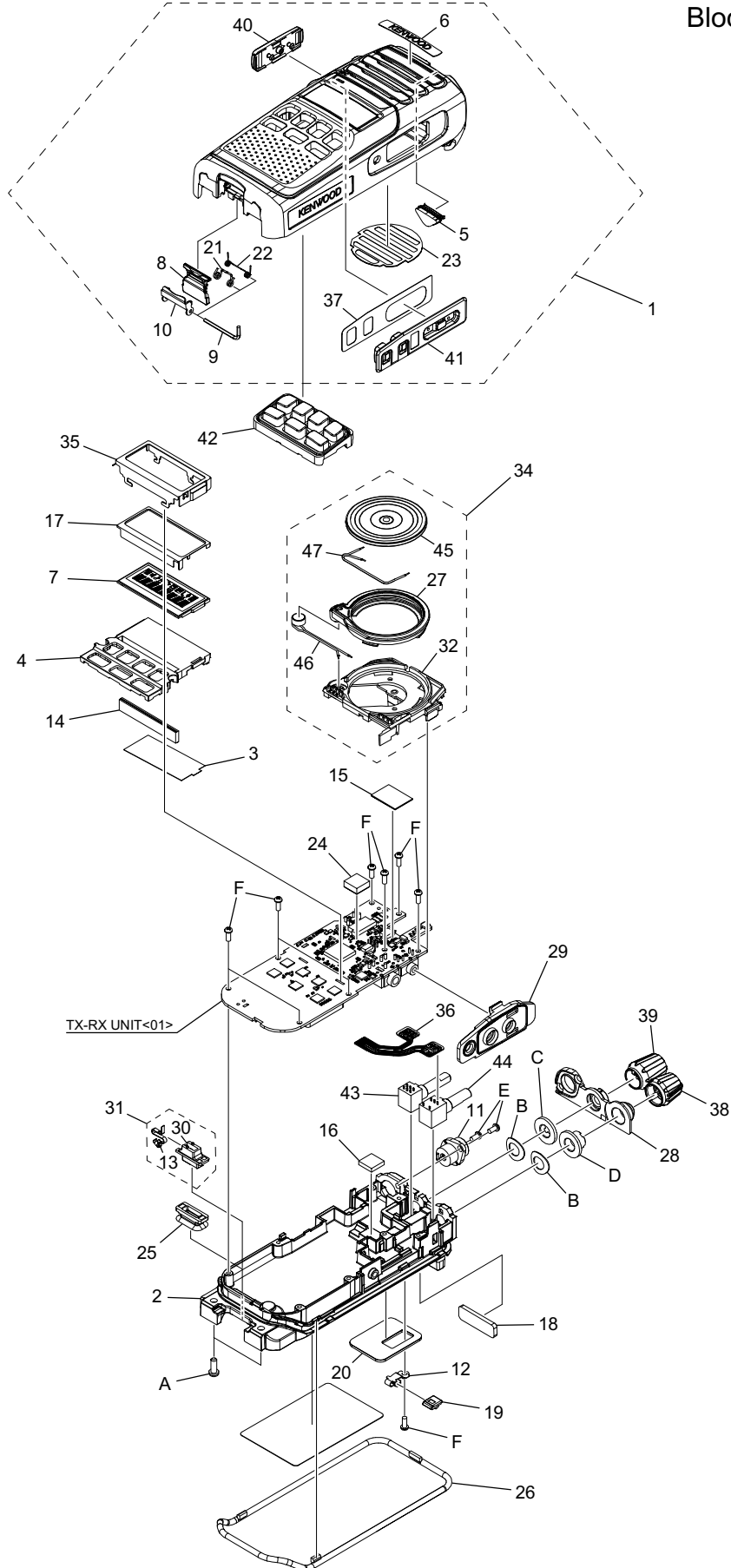


Exploded view of general assembly and parts list (NX-1300 series)

Block No.M2MM



General assembly (NX-1300 series)

Block No. [M][2][M][M]

△ Symbol No.	Part No.	Part Name	Description	Local
1	A0C-0249-01	P,CABINET ASSY	7KEY	
2	A1A-0131-02	CHASSIS	COAT	
3	B11-1877-24	FILTER	LCD	
4	B1B-0158-00	ILL.GUIDE	LCD	
5	B1B-0174-00	ILL.GUIDE		
6	B4D-0065-00	KENWOOD BADGE		
7	B38-0935-35	LCD		
8	D1A-0071-00	LEVER		
9	D2B-0066-00	SHAFT		
10	D32-0441-13	STOPPER		
11	E04-0477-15	C.RECEPTACLE-SM		
12	E23-1253-24	TERMINAL		
13	E23-1395-04	TERMINAL	+VE	
14	E29-1229-35	INTER CONNECTOR	LCD	
15	G10-1348-04	FIBROUS SHEET	AUDIO IC	
16	G11-4465-04	RUBBER SHEET	FET	
17	G11-4525-14	SHEET	LCD	
18	G13-2009-04	CUSHION		
19	G13-2033-04	CUSHION		
20	G13-2034-24	CUSHION		
21	G0A-0106-10	COIL SPRING		
22	G0A-0107-10	COIL SPRING		
23	G1A-0092-00	FIBROUS SHEET		
24	G1D-0402-00	CUSHION		
25	G53-2218-03	PACKING	+VE	
26	G5D-0191-00	RUBBER SEAL	SURROUND	
27	G5D-0192-00	RUBBER SEAL		
28	G5D-0193-10	RUBBER SEAL	TOP	
29	G5D-0194-00	RUBBER SEAL	2PIN	
30	J19-5579-03	HOLDER	+VE	
31	J19-5580-03	HOLDER ASSY	+VE	
32	J1K-0747-10	HOLDER		
34	J1K-0897-10	HOLDER ASSY	SPK	
35	J21-8619-13	MOUNTING	LCD	
36	J8C-0015-00	FLEX P.BOARD		
37	J9K-0054-00	ADHESIVE SHEET		
38	K2K-0189-10	KNOB	VOL	
39	K2K-0190-00	KNOB	CH	
40	K2K-0410-00	BUTTON KNOB		
41	K2K-0411-00	BUTTON KNOB		
42	K2K-0412-10	KEY TOP	7KEY	
43	S6A-0011-10	ROTARY SWITCH	LCD	
44	R3B-0017-10	V RESISTOR		
45	T0H-0011-00	SPEAKER		
46	T9B-0062-10	MIC ELEMENT		
47	E3F-0194-00	PARALLEL CORD		
A	N09-6621-05	PAN HEAD SCREW	(x2)	
B	N19-2214-05	SPECIAL WASHER	(x2)	
C	N1X-0024-00	CIRCULAR NUT	CH	
D	N1X-0038-00	CIRCULAR NUT	VOL	
E	N30-2604-48	P.HEAD M.SCREW	SMA(x2)	
F	N83-2005-48	P.HEAD T.SCREW	(x9)	
-	XCA-077K-00	TX-RX UNIT	SERVICE UNIT	13-DUK5,13-DK5
-	XCA-078K-00	TX-RX UNIT	SERVICE UNIT	13-NUK5,13-NK5

Electrical parts list (NX-1300 series)

TX-RX UNIT

XC1-296K-00

(NX-1300DU,NX-1300D,NX-1300NU,NX-1300N)

Note 1:If changing this IC, please contact our service center.

Note 2:This part cannot be replaced. Therefore, this part is not supplied as a service part.

Block No. [0][2]

△ Symbol No.	Part No.	Part Name	Description	Local
IC1	BU32TD2WNVX	MOS IC		
IC2	AK1543	MOS IC		
IC3	TPS61041DRVR	ANALOG IC		
IC4	OPA170AIDRLR	MOS IC		
IC5	BU7295HFV	MOS IC		
IC100	BU7465HFV	MOS IC		
IC200	RP571Q4	MOS IC		
IC201	TLV9062IDSGR	MOS IC		
IC202	TLV9062IDSGR	MOS IC		
IC203	BU32TD2WNVX	MOS IC		
IC300	TA7368PG	MOS IC		
IC301	BU7465HFV	MOS IC		
IC302	NJU7089KV1	MOS IC		
IC400	XC6209B502D-G	MOS IC		
IC401	MM1856A50N	BIPOLAR IC		
IC402	XC6209B502D-G	MOS IC		
IC403	BU32TD2WNVX	MOS IC		
IC404	BU32TD2WNVX	MOS IC		
IC405	PST8228U	MOS IC		
IC406	XC61CC5602N-G	MOS IC		
IC407	TPS62140RGT	MOS IC		
IC408	BU32TD2WNVX	MOS IC		
IC500	IS25LP016DJUL	ROM IC	Note 1	
IC501	2F405VGT6KHGA	MPU IC		
IC502	NJU6368PF1	MOS IC		
IC600	BU7465HFV	MOS IC		
IC601	TLV9062IDSGR	MOS IC		
IC602	TLV9062IDSGR	MOS IC		
IC603	BU7465HFV	MOS IC		
IC604	R2A20178NP	MCU IC		
IC605	DAC101C081CIM	MOS IC		
IC606	BU7465HFV	MOS IC		
IC700	PT16557LQ	MOS IC		
Q1	EM6M2	FET		
Q3	2SD2654/W/	TRANSISTOR		
Q4	BFU660F	TRANSISTOR		
Q5	2SC5108FT/Y/	TRANSISTOR		
Q100	2SC5108FT/Y/	TRANSISTOR		
Q101	RE1C001ZP	FET		
Q102	RE1C001ZP	FET		
Q103	LTC044EEBFS8	DIGI TRANSISTOR		
Q104	RFM00U7UF	FET		
Q105	RE1C001UN	FET		
Q106	RFM01U7PF	FET		
Q107	RD07MUS2BT514	FET		
Q108	SSM6L36FET	FET		
Q200	BFR193W	TRANSISTOR		
Q202	RE1C001ZP	FET		
Q300	LTC014EEBFS8	DIGI TRANSISTOR		

△ Symbol No.	Part No.	Part Name	Description	Local
Q301	LTC014EEBFS8	DIGI TRANSISTOR		
Q302	LTC014EEBFS8	DIGI TRANSISTOR		
Q303	SSM3K324RF	FET		
Q304	SSM3K324RF	FET		
Q305	LTC014EEBFS8	DIGI TRANSISTOR		
Q306	LTC014EEBFS8	DIGI TRANSISTOR		
Q307	2SB1694	TRANSISTOR		
Q308	SSM6N15AFEM	DUAL FET		
Q309	2SAR293P5	TRANSISTOR		
Q310	UMG3N	DIGI TR ARRAY		
Q311	LTC014EEBFS8	DIGI TRANSISTOR		
Q312	LTC014EEBFS8	DIGI TRANSISTOR		
Q313	SSM6N15AFEM	DUAL FET		
Q400	SSM6L36FET	FET		
Q402	EMD12	TRANSISTOR		
Q403	LTC044EEBFS8	DIGI TRANSISTOR		
Q404	SSM6N15AFEM	DUAL FET		
Q600	LSCR523EBFS8	TRANSISTOR		
Q601	LSAR523EBFS8	TRANSISTOR		
Q700	EMD9	TRANSISTOR		
Q701	EMD9	TRANSISTOR		
D1	RB561VM-40	SCHOTTKY DIODE		
D2	EDZV8.2B	ZENER DIODE		
D4	KDS160E-P	DIODE		
D5	1SV305FT	VARI CAP DIODE		
D6	BB174	VARI CAP DIODE		
D7	SMV1130-079LF	VARI CAP DIODE		
D8	SMV1130-079LF	VARI CAP DIODE		
D9	BB174	VARI CAP DIODE		
D101	RN142SM	DIODE		
D102	RN142SM	DIODE		
D103	RN142SM	DIODE		
D104	RN142SM	DIODE		
D105	SPC10501A01	VARIATOR		
D200	1SV305FT	VARI CAP DIODE		
D201	1SV305FT	VARI CAP DIODE		
D202	1SV305FT	VARI CAP DIODE		
D203	1SV305FT	VARI CAP DIODE		
D300	NSSM240A	LED		
D303	RB706F-40-MC	DIODE		
D304	AVRM10120MAAB	VARIATOR		
D305	AVRM10120MAAB	VARIATOR		
D306	AVRM10120MAAB	VARIATOR		
D307	AVRM10120MAAB	VARIATOR		
D400	SM4004PL	DIODE		
D401	DAN222WMM	DIODE ARRAY		
D402	RB521S-30-TP	DIODE		
D600	DAN217WMM	DIODE		
D601	DAN217WMM	DIODE		
D602	DAN217WMM	DIODE		
D603	1SS372F	SCHOTTKY DIODE		
D701	B30-2365-05	LED		
D703	B30-2365-05	LED		
D704	B30-2365-05	LED		
D705	B30-2365-05	LED		
D716	RB521CM-30	DIODE		
D717	RB521CM-30	DIODE		
D718	RB521CM-30	DIODE		
D719	RB521CM-30	DIODE		
C1	CK73HB1A105K	C CAPACITOR	1uF 10V K	
C3	CK73JXR1H471K	C CAPACITOR	470pF 50V K	
C4	CC730CC1H100F	C CAPACITOR	10pF 50V F	
C5	CK73HB1A105K	C CAPACITOR	1uF 10V K	

△ Symbol No.	Part No.	Part Name	Description	Local	△ Symbol No.	Part No.	Part Name	Description	Local
C6	CK730DX1C103K	C CAPACITOR	0.01uF 16V K		C84	CC730CC1H020B	C CAPACITOR	2pF 50V B	
C7	CC730CC1H100F	C CAPACITOR	10pF 50V F		C85	CC730CC1H2R5B	C CAPACITOR	2.5pF 50V B	
C8	CC73JCH1H101J	C CAPACITOR	100pF 50V J		C86	CC730CC1H020B	C CAPACITOR	2pF 50V B	
C9	CK730DX1C103K	C CAPACITOR	0.01uF 16V K		C87	CC730CC1H1R5B	C CAPACITOR	1.5pF 50V B	
C10	CK73GXR1E475K	C CAPACITOR	4.7uF 25V K		C88	CC730CC1H470G	C CAPACITOR	47pF 50V G	
C11	CC73JCH1H101J	C CAPACITOR	100pF 50V J		C90	CK73JXR0J474K	C CAPACITOR	0.47uF 6.3V K	
C12	CK73GB0J335K	C CAPACITOR	3.3uF 6.3V K		C91	CC730CC1H050B	C CAPACITOR	5pF 50V B	
C13	CC73JCH1H101J	C CAPACITOR	100pF 50V J		C92	CC730CC1H050B	C CAPACITOR	5pF 50V B	
C14	CC73JCH1H101J	C CAPACITOR	100pF 50V J		C93	CC730CC1H470G	C CAPACITOR	47pF 50V G	
C15	CK730PQ1E475K	C CAPACITOR	4.7uF 25V K		C100	CC730CC1H150G	C CAPACITOR	47pF 50V G	
C16	CC73JCH1H101J	C CAPACITOR	100pF 50V J		C101	CK73JXR1H271K	C CAPACITOR	270pF 50V K	
C17	CK730DX1C103K	C CAPACITOR	0.01uF 16V K		C102	CK73JXR1H271K	C CAPACITOR	270pF 50V K	
C18	CK730DX1C103K	C CAPACITOR	0.01uF 16V K		C103	CK73JXR1C104K	C CAPACITOR	0.1uF 16V K	
C19	CC73JCH1H101J	C CAPACITOR	100pF 50V J		C104	CK73JXR1H471K	C CAPACITOR	470pF 50V K	
C20	CC73JCH1H101J	C CAPACITOR	100pF 50V J		C105	CC730CC1H080B	C CAPACITOR	8pF 50V B	
C21	CK73JXR1C104K	C CAPACITOR	0.1uF 16V K		C106	CK730DX1C103K	C CAPACITOR	0.01uF 16V K	
C22	CK73JXR1A473K	C CAPACITOR	0.047uF 10V K		C108	CK73JXR1H271K	C CAPACITOR	270pF 50V K	
C23	CK73JXR1H271K	C CAPACITOR	270pF 50V K		C112	CK73JXR1H271K	C CAPACITOR	270pF 50V K	
C24	CK730DX1C103K	C CAPACITOR	0.01uF 16V K		C113	CK73JXR1H271K	C CAPACITOR	270pF 50V K	
C26	CK730DX1C103K	C CAPACITOR	0.01uF 16V K		C114	CK73JXR1H271K	C CAPACITOR	270pF 50V K	
C27	CK73JXR1H681K	C CAPACITOR	680pF 50V K		C116	CK73JXR1H271K	C CAPACITOR	270pF 50V K	
C28	CC73JCH1H101J	C CAPACITOR	100pF 50V J		C117	CK73JXR1H271K	C CAPACITOR	270pF 50V K	
C29	CK73GXR1H105K	C CAPACITOR	1uF 50V K		C119	CC730CC1H070B	C CAPACITOR	7pF 50V B	
C30	CC730CC1H330G	C CAPACITOR	33pF 50V G		C121	CK73HB0J225K	C CAPACITOR	2.2uF 6.3V K	
C31	CC73JCH1H101J	C CAPACITOR	100pF 50V J		C122	CK73JXR1H271K	C CAPACITOR	270pF 50V K	
C32	C93-1959-05	C CAPACITOR	0.1uF 16V		C123	CC730CC1H100F	C CAPACITOR	10pF 50V F	
C33	CK73JXR1H681K	C CAPACITOR	680pF 50V K		C124	CC730EE1H100F	C CAPACITOR	10pF 50V F	
C34	CK730PS1H684K	C CAPACITOR	0.68uF 50V K		C125	CC730EE1H050B	C CAPACITOR	5pF 50V B	
C36	CK730DX1C103K	C CAPACITOR	0.01uF 16V K		C126	CK73JXR1H271K	C CAPACITOR	270pF 50V K	
C37	CC73JCH1H101J	C CAPACITOR	100pF 50V J		C127	CC730EE1H150G	C CAPACITOR	15pF 50V G	
C38	CC73JCH1H101J	C CAPACITOR	100pF 50V J		C128	CK73JXR1H271K	C CAPACITOR	270pF 50V K	
C39	CK73JXR0J224K	C CAPACITOR	0.22uF 6.3V K		C129	CC730EE1H470J	C CAPACITOR	47pF 50V J	
C40	CK73JXR0J224K	C CAPACITOR	0.22uF 6.3V K		C131	CC730EE1H471K	C CAPACITOR	470pF 50V K	
C42	CC73JCH1H101J	C CAPACITOR	100pF 50V J		C132	CK73JXR1H271K	C CAPACITOR	270pF 50V K	
C45	CS77AAV1D1R5M	TA E CAPACITOR	1.5uF 20V M		C133	CK73JXR1H271K	C CAPACITOR	270pF 50V K	
C46	CK730PP1H154K	C CAPACITOR	0.15uF 50V K		C134	CK73JXR1H271K	C CAPACITOR	270pF 50V K	
C48	CC730AD1H104J	C CAPACITOR	0.1uF 50V J		C135	CC730EE1H220G	C CAPACITOR	22pF 50V G	
C49	CC730CC1H470G	C CAPACITOR	47pF 50V G		C136	CC730EE1H470J	C CAPACITOR	47pF 50V J	
C50	CC730CC1H470G	C CAPACITOR	47pF 50V G		C138	CC730EE1H470J	C CAPACITOR	47pF 50V J	
C51	CS77BP1A4R7M	TA E CAPACITOR	4.7uF 10V M		C139	CC730EE1H151J	C CAPACITOR	150pF 50V J	
C52	CC730CC1H040B	C CAPACITOR	4pF 50V B		C140	CC730EE1H151J	C CAPACITOR	150pF 50V J	
C53	CC730CC1H070B	C CAPACITOR	7pF 50V B		C145	CK73HB1A105K	C CAPACITOR	1uF 10V K	
C54	CC730CC1H0R5B	C CAPACITOR	0.5pF 50V B		C146	CC730EF1H180G	C CAPACITOR	18pF 50V G	
C55	CC730CC1H470G	C CAPACITOR	47pF 50V G		C147	CK730MZ1A104K	C CAPACITOR	0.1uF 10V K	
C56	CC730CC1H040B	C CAPACITOR	4pF 50V B		C149	CC730EE1H271J	C CAPACITOR	270pF 50V J	
C57	CC730CC1H030B	C CAPACITOR	3pF 50V B		C150	CK730PY1H103K	C CAPACITOR	0.01uF 50V K	
C59	CC730CC1H0R5B	C CAPACITOR	0.5pF 50V B		C154	CC730EF1H060B	C CAPACITOR	6pF 50V B	
C60	CC730CC1H050B	C CAPACITOR	5pF 50V B		C155	CC730EF1H060B	C CAPACITOR	6pF 50V B	
C61	CC730CC1H470G	C CAPACITOR	47pF 50V G		C157	CC73JCH1H101J	C CAPACITOR	100pF 50V J	
C62	CC730CC1H090B	C CAPACITOR	9pF 50V B		C158	CC730EF1H040B	C CAPACITOR	4pF 50V B	
C63	CK73HB1A105K	C CAPACITOR	1uF 10V K		C161	CC730EF1H040B	C CAPACITOR	4pF 50V B	
C64	CK73HB0J475M	C CAPACITOR	4.7uF 6.3V M		C162	CK73JXR1C104K	C CAPACITOR	0.1uF 16V K	
C65	CC730CC1H070B	C CAPACITOR	7pF 50V B		C163	CC730EF1H040B	C CAPACITOR	4pF 50V B	
C66	CC730CC1H3R5B	C CAPACITOR	3.5pF 50V B		C164	CC730EF1H471K	C CAPACITOR	470pF 50V K	
C67	CC730CC1H470G	C CAPACITOR	47pF 50V G		C165	CK73JXR1H271K	C CAPACITOR	270pF 50V K	
C69	CC730CC1H470G	C CAPACITOR	47pF 50V G		C166	CC730CC1H040B	C CAPACITOR	4pF 50V B	
C70	CK73JXR1C104K	C CAPACITOR	0.1uF 16V K		C167	CC730EF1H050B	C CAPACITOR	5pF 50V B	
C72	CC730CC1H2R5B	C CAPACITOR	2.5pF 50V B		C168	CC730EF1H101G	C CAPACITOR	100pF 50V G	
C76	CC730CC1H030B	C CAPACITOR	3pF 50V B		C169	CC730EF1H010B	C CAPACITOR	1pF 50V B	
C78	CK73JXR1C104K	C CAPACITOR	0.1uF 16V K		C170	CC730EF1H010B	C CAPACITOR	1pF 50V B	
C79	CC730CC1H470G	C CAPACITOR	47pF 50V G		C171	CC730EF1H060B	C CAPACITOR	6pF 50V B	
C80	CC730CC1H470G	C CAPACITOR	47pF 50V G		C172	CC730EF1H030B	C CAPACITOR	3pF 50V B	
C81	CK73JXR1C104K	C CAPACITOR	0.1uF 16V K		C173	CC730EF1H040B	C CAPACITOR	4pF 50V B	
C82	CC730CC1H030B	C CAPACITOR	3pF 50V B		C174	CC730EF1H030B	C CAPACITOR	3pF 50V B	
C83	CC730CC1H020B	C CAPACITOR	2pF 50V B		C175	CC730EF1H0R3B	C CAPACITOR	0.3pF 50V B	

△ Symbol No.	Part No.	Part Name	Description	Local	△ Symbol No.	Part No.	Part Name	Description	Local
C176	CC730EF1H020B	C CAPACITOR	2pF 50V B		C300	CK73JXR1H471K	C CAPACITOR	470pF 50V K	
C178	CC730EF1H330G	C CAPACITOR	33pF 50V G		C301	CK73HB1A105K	C CAPACITOR	1uF 10V K	
C179	CC730EE1H090B	C CAPACITOR	9pF 50V B		C302	CK73JXR1H471K	C CAPACITOR	470pF 50V K	
C180	CC730EE1H090B	C CAPACITOR	9pF 50V B		C303	CK73JXR1H471K	C CAPACITOR	470pF 50V K	
C181	CK73JXR1C104K	C CAPACITOR	0.1uF 16V K		C304	CK73JXR1H471K	C CAPACITOR	470pF 50V K	
C187	CK73JXR1E222K	C CAPACITOR	2200pF 25V K		C305	CK73JXR1H471K	C CAPACITOR	470pF 50V K	
C188	CK73JXR1C104K	C CAPACITOR	0.1uF 16V K		C306	CK73EXR0J476M	C CAPACITOR	47uF 6.3V M	
C190	CC730EE1H101J	C CAPACITOR	100pF 50V J		C307	CK73EXR0J476M	C CAPACITOR	47uF 6.3V M	
C200	CC730CC1H050B	C CAPACITOR	5pF 50V B		C308	CK73JXR1A473K	C CAPACITOR	0.047uF 10V K	
C201	CK73JXR1H271K	C CAPACITOR	270pF 50V K		C309	CK73JXR1H471K	C CAPACITOR	470pF 50V K	
C202	CC730CC1H3R5B	C CAPACITOR	3.5pF 50V B		C311	CK73JXR1H471K	C CAPACITOR	470pF 50V K	
C203	CC730CC1H180G	C CAPACITOR	18pF 50V G		C313	CC73JCH1H101J	C CAPACITOR	100pF 50V J	
C204	CC730CC1H080B	C CAPACITOR	8pF 50V B		C314	CK73JXR1C104K	C CAPACITOR	0.1uF 16V K	
C205	CC730CC1H080B	C CAPACITOR	8pF 50V B		C315	CK730AY0J226M	C CAPACITOR	22uF 6.3V M	
C206	CK73JXR1H271K	C CAPACITOR	270pF 50V K		C316	CK73JXR1H471K	C CAPACITOR	470pF 50V K	
C207	CC730CC1H180G	C CAPACITOR	18pF 50V G		C317	CK73JXR1H471K	C CAPACITOR	470pF 50V K	
C208	CC730CC1H020B	C CAPACITOR	2pF 50V B		C318	CK73JXR1H471K	C CAPACITOR	470pF 50V K	
C209	CK73JXR1H271K	C CAPACITOR	270pF 50V K		C319	CK73JXR1H471K	C CAPACITOR	470pF 50V K	
C210	CC730CC1H030B	C CAPACITOR	3pF 50V B		C320	CK730AU1C225K	C CAPACITOR	2.2uF 16V K	
C211	CK73JXR1H271K	C CAPACITOR	270pF 50V K		C321	CK73HB1C105K	C CAPACITOR	1uF 16V K	
C213	CK73JXR1C104K	C CAPACITOR	0.1uF 16V K		C322	CK73JXR1H471K	C CAPACITOR	470pF 50V K	
C214	CK73HB1A105K	C CAPACITOR	1uF 10V K		C323	CK73JXR1C104K	C CAPACITOR	0.1uF 16V K	
C216	CC730EE1H102K	C CAPACITOR	1000pF 50V K		C324	CK73JXR1H471K	C CAPACITOR	470pF 50V K	
C217	CK73JXR1H271K	C CAPACITOR	270pF 50V K		C325	CK73JXR1H271K	C CAPACITOR	270pF 50V K	
C219	CC730CC1H100F	C CAPACITOR	10pF 50V F		C326	CK73JXR0J224K	C CAPACITOR	0.22uF 6.3V K	
C220	CK730DX1C103K	C CAPACITOR	0.01uF 16V K		C327	CK73GB0J106K	C CAPACITOR	10uF 6.3V K	
C221	CC730CC1H330G	C CAPACITOR	33pF 50V G		C328	CK73JXR1H471K	C CAPACITOR	470pF 50V K	
C222	CK730DX1C103K	C CAPACITOR	0.01uF 16V K		C329	CK73JXR1C104K	C CAPACITOR	0.1uF 16V K	
C223	CK730PY1H103K	C CAPACITOR	0.01uF 50V K		C330	CC73JCH1H101J	C CAPACITOR	100pF 50V J	
C224	CC730EE1H102K	C CAPACITOR	1000pF 50V K		C331	CK73JXR1H271K	C CAPACITOR	270pF 50V K	
C225	CK73JXR1H152K	C CAPACITOR	1500pF 50V K		C332	CK73JXR1A683K	C CAPACITOR	0.068uF 10V K	
C226	CK730DX1C103K	C CAPACITOR	0.01uF 16V K		C334	CK73HB1A105K	C CAPACITOR	1uF 10V K	
C227	CK73JXR1E102J	C CAPACITOR	1000pF 25V J		C335	CK73HB1A105K	C CAPACITOR	1uF 10V K	
C228	CK73JXR1E102J	C CAPACITOR	1000pF 25V J		C336	CK73HB1A105K	C CAPACITOR	1uF 10V K	
C229	CK730DX1C103K	C CAPACITOR	0.01uF 16V K		C337	CC730EE1H271J	C CAPACITOR	270pF 50V J	
C230	CK730DX1C103K	C CAPACITOR	0.01uF 16V K		C340	CK73JXR1H271K	C CAPACITOR	270pF 50V K	
C231	CK73JXR1H271K	C CAPACITOR	270pF 50V K		C342	CK73JXR1C104K	C CAPACITOR	0.1uF 16V K	
C232	CK73JXR1H152K	C CAPACITOR	1500pF 50V K		C343	CK73JXR1H271K	C CAPACITOR	270pF 50V K	
C234	CK730DX1C103K	C CAPACITOR	0.01uF 16V K		C344	CK73JXR1H271K	C CAPACITOR	270pF 50V K	
C235	CK730DX1C103K	C CAPACITOR	0.01uF 16V K		C345	CK73JXR1H271K	C CAPACITOR	270pF 50V K	
C236	CK73HB1A105K	C CAPACITOR	1uF 10V K		C346	CK73JXR1H271K	C CAPACITOR	270pF 50V K	
C237	CK73HB1A105K	C CAPACITOR	1uF 10V K		C349	CC73JCH1H101J	C CAPACITOR	100pF 50V J	
C238	CK73JXR1H122K	C CAPACITOR	1200pF 50V K		C350	CC73JCH1H101J	C CAPACITOR	100pF 50V J	
C239	CC730EE1H271G	C CAPACITOR	270pF 50V G		C400	CC730EE1H471K	C CAPACITOR	470pF 50V K	
C240	CK73JXR1C104K	C CAPACITOR	0.1uF 16V K		C401	CC730EE1H471K	C CAPACITOR	470pF 50V K	
C241	CC730EE1H221G	C CAPACITOR	220pF 50V G		C402	CC730EE1H470J	C CAPACITOR	47pF 50V J	
C242	CC730EE1H221G	C CAPACITOR	220pF 50V G		C403	CK730PX1A105K	C CAPACITOR	1uF 10V K	
C244	CC730EE1H271G	C CAPACITOR	270pF 50V G		C404	CK730PX1A105K	C CAPACITOR	1uF 10V K	
C245	CK73JXR1H122K	C CAPACITOR	1200pF 50V K		C405	CK73JXR1H471K	C CAPACITOR	470pF 50V K	
C246	CC730EE1H221G	C CAPACITOR	220pF 50V G		C406	CK73JXR1H471K	C CAPACITOR	470pF 50V K	
C247	CK73JXR1C104K	C CAPACITOR	0.1uF 16V K		C409	CK730PX1A105K	C CAPACITOR	1uF 10V K	
C248	CC730EE1H221G	C CAPACITOR	220pF 50V G		C410	CK730PX1A105K	C CAPACITOR	1uF 10V K	
C249	CC730CC1H030B	C CAPACITOR	3pF 50V B		C411	CK730PX1A105K	C CAPACITOR	1uF 10V K	
C255	CC730CC1H0R5B	C CAPACITOR	0.5pF 50V B		C412	CK730PX1A105K	C CAPACITOR	1uF 10V K	
C256	CK73JXR1A473K	C CAPACITOR	0.047uF 10V K		C413	CK73HB1A105K	C CAPACITOR	1uF 10V K	
C257	CC730CC1H020B	C CAPACITOR	2pF 50V B		C414	CK73GB0J106K	C CAPACITOR	10uF 6.3V K	
C258	CC730CC1H180G	C CAPACITOR	18pF 50V G		C415	CK73HB1A105K	C CAPACITOR	1uF 10V K	
C259	CC730CC1H1R5B	C CAPACITOR	1.5pF 50V B		C416	CK73HB1A105K	C CAPACITOR	1uF 10V K	
C260	CC730CC1H1R5B	C CAPACITOR	1.5pF 50V B		C417	CK73HB1A105K	C CAPACITOR	1uF 10V K	
C261	CK73JXR1H271K	C CAPACITOR	270pF 50V K		C418	CK73HB1A105K	C CAPACITOR	1uF 10V K	
C262	CC730CC1H180G	C CAPACITOR	18pF 50V G		C419	CK730DX1C103K	C CAPACITOR	0.01uF 16V K	
C263	CC730CC1H040B	C CAPACITOR	4pF 50V B		C421	CK730AU1C225K	C CAPACITOR	2.2uF 16V K	
C266	CK73JXR1H271K	C CAPACITOR	270pF 50V K		C422	CK730AY1C106K	C CAPACITOR	10uF 16V K	
C269	CK73JXR1E102J	C CAPACITOR	1000pF 25V J		C423	CK730AY1C106K	C CAPACITOR	10uF 16V K	
C270	CK73JXR1E102J	C CAPACITOR	1000pF 25V J		C424	CK73JXR1E332K	C CAPACITOR	3300pF 25V K	

△ Symbol No.	Part No.	Part Name	Description	Local	△ Symbol No.	Part No.	Part Name	Description	Local
C425	CK73JXR1C104K	C CAPACITOR	0.1uF 16V K		C627	CK73JXR1C104K	C CAPACITOR	0.1uF 16V K	
C427	CK730AY0J226M	C CAPACITOR	22uF 6.3V M		C628	CK73HB1A105K	C CAPACITOR	1uF 10V K	
C428	CK73HB1A105K	C CAPACITOR	1uF 10V K		C629	CK73JXR1C104K	C CAPACITOR	0.1uF 16V K	
C429	CK73HB1A105K	C CAPACITOR	1uF 10V K		C631	CC73JCH1H470J	C CAPACITOR	47pF 50V J	
C430	CK73HB1A105K	C CAPACITOR	1uF 10V K		C632	CK73JXR1C104K	C CAPACITOR	0.1uF 16V K	
C500	CK73HB1A105K	C CAPACITOR	1uF 10V K		C633	CK73HB1A105K	C CAPACITOR	1uF 10V K	
C504	CK73JXR1C104K	C CAPACITOR	0.1uF 16V K		C634	CK73JXR1A223K	C CAPACITOR	0.022uF 10V K	
C505	CK73JXR1C104K	C CAPACITOR	0.1uF 16V K		C635	CC73JCH1H101J	C CAPACITOR	100pF 50V J	
C506	CK73JXR1H102K	C CAPACITOR	1000pF 50V K		C638	CK73JXR1H102K	C CAPACITOR	1000pF 50V K	
C508	CK73JXR1C104K	C CAPACITOR	0.1uF 16V K		C639	CK73JXR1H102K	C CAPACITOR	1000pF 50V K	
C509	CK73JXR1H102K	C CAPACITOR	1000pF 50V K		C640	CK73HB1A105K	C CAPACITOR	1uF 10V K	
C510	CK73HXR0J105K	C CAPACITOR	1uF 6.3V K		C641	CK73HB0J475M	C CAPACITOR	4.7uF 6.3V M	
C511	CK730DX1C103K	C CAPACITOR	0.01uF 16V K		C642	CK73JXR1H471K	C CAPACITOR	470pF 50V K	
C512	CK73HXR0J105K	C CAPACITOR	1uF 6.3V K		C643	CK73JXR1C104K	C CAPACITOR	0.1uF 16V K	
C513	CK730DX1C103K	C CAPACITOR	0.01uF 16V K		C644	CK73HB1A105K	C CAPACITOR	1uF 10V K	
C514	CK73HB0J475M	C CAPACITOR	4.7uF 6.3V M		C645	CK73JXR1C104K	C CAPACITOR	0.1uF 16V K	
C515	CK73JXR1H471K	C CAPACITOR	470pF 50V K		C646	CK73HB1A105K	C CAPACITOR	1uF 10V K	
C516	CK73JXR1H471K	C CAPACITOR	470pF 50V K		C647	CC73JCH1H470J	C CAPACITOR	47pF 50V J	
C517	CK73JXR1H471K	C CAPACITOR	470pF 50V K		C648	CK73JXR1H471K	C CAPACITOR	470pF 50V K	
C518	CK73JXR1C104K	C CAPACITOR	0.1uF 16V K		C649	CK73JXR0J474K	C CAPACITOR	0.47uF 6.3V K	
C519	CK73JXR1H102K	C CAPACITOR	1000pF 50V K		C650	CC73JCH1H101J	C CAPACITOR	100pF 50V J	
C520	CK73JXR1C104K	C CAPACITOR	0.1uF 16V K		C711	CK730DX1C103K	C CAPACITOR	0.01uF 16V K	
C521	CK73JXR1H102K	C CAPACITOR	1000pF 50V K		C712	CK73HB1A105K	C CAPACITOR	1uF 10V K	
C522	CK73HB0J225K	C CAPACITOR	2.2uF 6.3V K		C713	CK73JXR1A473K	C CAPACITOR	0.047uF 10V K	
C523	CK73JXR1H102K	C CAPACITOR	1000pF 50V K		C714	CK73JXR1A473K	C CAPACITOR	0.047uF 10V K	
C524	CK73JXR1C104K	C CAPACITOR	0.1uF 16V K		C715	CK73JXR1H271K	C CAPACITOR	270pF 50V K	
C525	CK730DX1C103K	C CAPACITOR	0.01uF 16V K		C716	CK73JXR1H271K	C CAPACITOR	270pF 50V K	
C526	CK73JXR1C104K	C CAPACITOR	0.1uF 16V K		R2	RK73HB1J222J	MG RESISTOR	2.2kΩ 1/16W J	
C527	CK730DX1C103K	C CAPACITOR	0.01uF 16V K		R3	RK73HB1J682J	MG RESISTOR	6.8kΩ 1/16W J	
C528	CK73HB0J475M	C CAPACITOR	4.7uF 6.3V M		R4	RK73HB1J331J	MG RESISTOR	330Ω 1/16W J	
C529	CS77FAV0J101M	TA E CAPACITOR	100uF 6.3V M		R5	RK73HB1J100J	MG RESISTOR	10Ω 1/16W J	
C530	CK73JXR1C104K	C CAPACITOR	0.1uF 16V K		R6	R92-3774-05	MG RESISTOR	27Ω 0.25W	
C531	CK73JXR1H102K	C CAPACITOR	1000pF 50V K		R7	R92-3774-05	MG RESISTOR	27Ω 0.25W	
C532	CK73JXR1C104K	C CAPACITOR	0.1uF 16V K		R8	RK73HB1J100J	MG RESISTOR	10Ω 1/16W J	
C533	CK73HB0J225K	C CAPACITOR	2.2uF 6.3V K		R9	RK73JB1H102J	MG RESISTOR	1kΩ 1/20W J	
C534	CK730DX1C103K	C CAPACITOR	0.01uF 16V K		R10	RK73HB1J100J	MG RESISTOR	10Ω 1/16W J	
C535	CK730DX1C103K	C CAPACITOR	0.01uF 16V K		R11	RK73HB1J000J	MG RESISTOR	0Ω 1/16W J	
C536	CK730DX1C103K	C CAPACITOR	0.01uF 16V K		R12	RK73HB1J103J	MG RESISTOR	10kΩ 1/16W J	
C537	CK73JXR1H271K	C CAPACITOR	270pF 50V K		R13	RK73HB1J103J	MG RESISTOR	10kΩ 1/16W J	
C538	CK730DX1C103K	C CAPACITOR	0.01uF 16V K		R14	RK73HB1J273J	MG RESISTOR	27kΩ 1/16W J	
C539	CK730DX1C103K	C CAPACITOR	0.01uF 16V K		R15	RK73HB1J474J	MG RESISTOR	470kΩ 1/16W J	
C600	CK73JXR1H471K	C CAPACITOR	470pF 50V K		R16	RK73HB1J333J	MG RESISTOR	33kΩ 1/16W J	
C601	CK73GB0J106K	C CAPACITOR	10uF 6.3V K		R17	RK73GB2A220J	MG RESISTOR	22Ω 1/10W J	
C602	CK73JXR1C104K	C CAPACITOR	0.1uF 16V K		R18	RK73JB1H100J	MG RESISTOR	10Ω 1/20W J	
C603	CK73JXR1H471K	C CAPACITOR	470pF 50V K		R20	RK73HB1J000J	MG RESISTOR	0Ω 1/16W J	
C604	CK73HB0J225K	C CAPACITOR	2.2uF 6.3V K		R21	RK73HB1J100J	MG RESISTOR	10Ω 1/16W J	
C605	CK73HB0J225K	C CAPACITOR	2.2uF 6.3V K		R22	RK73HB1J102J	MG RESISTOR	1kΩ 1/16W J	
C606	CK73JXR1A473K	C CAPACITOR	0.047uF 10V K		R23	RK73HB1J223J	MG RESISTOR	22kΩ 1/16W J	
C607	CK73JXR1E332K	C CAPACITOR	3300pF 25V K		R24	RK73HB1J124J	MG RESISTOR	120kΩ 1/16W J	
C608	CK73JXR1E272K	C CAPACITOR	2700pF 25V K		R25	RK73HB1J472J	MG RESISTOR	4.7kΩ 1/16W J	
C609	CK730DX1C103K	C CAPACITOR	0.01uF 16V K		R26	RK73HB1J104J	MG RESISTOR	100kΩ 1/16W J	
C610	CK73JXR0J474K	C CAPACITOR	0.47uF 6.3V K		R27	RK73HB1J106J	MG RESISTOR	10MΩ 1/16W J	
C612	CK73JXR0J474K	C CAPACITOR	0.47uF 6.3V K		R28	RK73HB1J470J	MG RESISTOR	47Ω 1/16W J	
C613	CK73JXR0J474K	C CAPACITOR	0.47uF 6.3V K		R29	RK73HB1J104J	MG RESISTOR	100kΩ 1/16W J	
C614	CC73JCH1H560J	C CAPACITOR	56pF 50V J		R30	RK73HB1J000J	MG RESISTOR	0Ω 1/16W J	
C615	CK73JXR1C104K	C CAPACITOR	0.1uF 16V K		R31	RK73HB1J000J	MG RESISTOR	0Ω 1/16W J	
C616	CC73JCH1H101J	C CAPACITOR	100pF 50V J		R32	RK73HB1J152J	MG RESISTOR	1.5kΩ 1/16W J	
C617	CK73JXR1C104K	C CAPACITOR	0.1uF 16V K		R33	RK73HB1J103J	MG RESISTOR	10kΩ 1/16W J	
C618	CK73JXR1C104K	C CAPACITOR	0.1uF 16V K		R34	RK73HH1J391D	MG RESISTOR	390Ω 1/16W D	
C619	CC73JCH1H560J	C CAPACITOR	56pF 50V J		R35	RK73HB1J000J	MG RESISTOR	0Ω 1/16W J	
C620	CK73JXR1H331K	C CAPACITOR	330pF 50V K		R36	RK73HB1J000J	MG RESISTOR	0Ω 1/16W J	
C622	CK73JXR1C104K	C CAPACITOR	0.1uF 16V K		R37	RK73HH1J103D	MG RESISTOR	10kΩ 1/16W D	
C623	CK73JXR1C104K	C CAPACITOR	0.1uF 16V K		R38	RK73HH1J103D	MG RESISTOR	10kΩ 1/16W D	
C624	CK73JXR1H331K	C CAPACITOR	330pF 50V K		R39	RK73JB1H103J	MG RESISTOR	10kΩ 1/20W J	
C626	CK73JXR1H471K	C CAPACITOR	470pF 50V K						

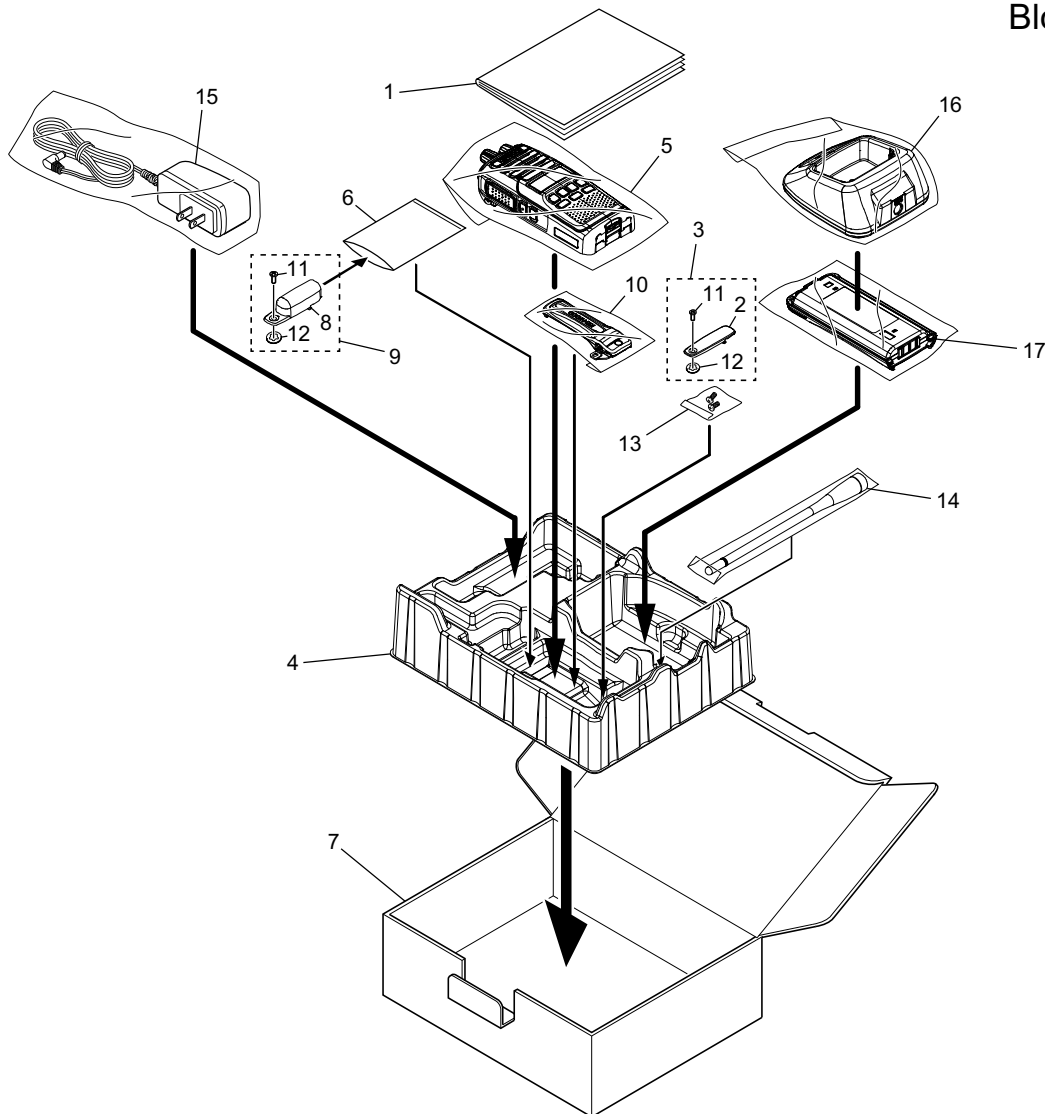
△ Symbol No.	Part No.	Part Name	Description	Local	△ Symbol No.	Part No.	Part Name	Description	Local
R40	RK73JB1H223J	MG RESISTOR	22kΩ 1/20W J		R201	RK73HB1J682J	MG RESISTOR	6.8kΩ 1/16W J	
R41	RK73HB1J104J	MG RESISTOR	100kΩ 1/16W J		R202	RK73HB1J000J	MG RESISTOR	0Ω 1/16W J	
R42	RK73HB1J273J	MG RESISTOR	27kΩ 1/16W J		R203	RK73HB1J682J	MG RESISTOR	6.8kΩ 1/16W J	
R43	RK73HB1J473J	MG RESISTOR	47kΩ 1/16W J		R204	RK73HB1J150J	MG RESISTOR	15Ω 1/16W J	
R44	RN73HOAJ562D	MF RESISTOR	5.6kΩ D		R205	RK73HB1J000J	MG RESISTOR	0Ω 1/16W J	
R45	RN73HH1J103D	MF RESISTOR	10kΩ 1/16W D		R207	RK73HB1J000J	MG RESISTOR	0Ω 1/16W J	
R46	RK73HB1J4R7J	MG RESISTOR	4.7Ω 1/16W J		R210	RK73JB1H000J	MG RESISTOR	0Ω 1/20W J	
R47	RN73HH1J151D	MF RESISTOR	150Ω 1/16W D		R211	RK73HB1J3R3J	MG RESISTOR	3.3Ω 1/16W J	
R50	RK73HB1J2R2J	MG RESISTOR	2.2Ω 1/16W J		R212	RK73HB1J3R3J	MG RESISTOR	3.3Ω 1/16W J	
R51	RK73HB1J220J	MG RESISTOR	22Ω 1/16W J		R214	RK73HH1J103D	MG RESISTOR	10kΩ 1/16W D	
R52	RK73HB1J103J	MG RESISTOR	10kΩ 1/16W J		R215	RK73HB1J000J	MG RESISTOR	0Ω 1/16W J	
R53	RK73HB1J682J	MG RESISTOR	6.8kΩ 1/16W J		R216	RK73HB1J000J	MG RESISTOR	0Ω 1/16W J	
R54	RK73HB1J101J	MG RESISTOR	100Ω 1/16W J		R218	RK73JB1H103J	MG RESISTOR	10kΩ 1/20W J	
R55	RK73HB1J561J	MG RESISTOR	560Ω 1/16W J		R219	RK73JB1H100J	MG RESISTOR	10Ω 1/20W J	
R57	RK73HB1J000J	MG RESISTOR	0Ω 1/16W J		R220	RK73JB1H100J	MG RESISTOR	10Ω 1/20W J	
R62	RK73HB1J272J	MG RESISTOR	2.7kΩ 1/16W J		R223	RK73HB1J150J	MG RESISTOR	15Ω 1/16W J	
R63	RK73HB1J272J	MG RESISTOR	2.7kΩ 1/16W J		R224	RK73HH1J103D	MG RESISTOR	10kΩ 1/16W D	
R64	RK73HB1J560J	MG RESISTOR	56Ω 1/16W J		R225	RK73HH1J103D	MG RESISTOR	10kΩ 1/16W D	
R65	RK73HB1J560J	MG RESISTOR	56Ω 1/16W J		R226	RK73HH1J822D	MG RESISTOR	8.2kΩ 1/16W D	
R66	RK73HB1J000J	MG RESISTOR	0Ω 1/16W J		R227	RK73HH1J822D	MG RESISTOR	8.2kΩ 1/16W D	
R70	RK73HB1J000J	MG RESISTOR	0Ω 1/16W J		R228	RK73HH1J683D	MG RESISTOR	68kΩ 1/16W D	
R81	RK73HB1J000J	MG RESISTOR	0Ω 1/16W J		R229	RK73HH1J473D	MG RESISTOR	47kΩ 1/16W D	
R100	RK73HH1J472D	MG RESISTOR	4.7kΩ 1/16W D		R230	RK73HB1J100J	MG RESISTOR	10Ω 1/16W J	
R101	RK73HH1J472D	MG RESISTOR	4.7kΩ 1/16W D		R231	RK73HH1J683D	MG RESISTOR	68kΩ 1/16W D	
R102	RN73HH1J220D	MF RESISTOR	22Ω 1/16W D		R232	RK73HH1J473D	MG RESISTOR	47kΩ 1/16W D	
R103	RK73HH1J181D	MG RESISTOR	180Ω 1/16W D		R233	RK73HH1J822D	MG RESISTOR	8.2kΩ 1/16W D	
R104	RN73HH1J222D	MF RESISTOR	2.2kΩ 1/16W D		R234	RK73HH1J822D	MG RESISTOR	8.2kΩ 1/16W D	
R109	RK73HH1J223D	MG RESISTOR	22kΩ 1/16W D		R235	RK73HH1J103D	MG RESISTOR	10kΩ 1/16W D	
R110	RK73HH1J223D	MG RESISTOR	22kΩ 1/16W D		R236	RK73HH1J103D	MG RESISTOR	10kΩ 1/16W D	
R111	RK73HH1J124D	MG RESISTOR	120kΩ 1/16W D		R237	RK73HB1J102J	MG RESISTOR	1kΩ 1/16W J	
R112	RK73HH1J124D	MG RESISTOR	120kΩ 1/16W D		R238	RK73HH1J123D	MG RESISTOR	12kΩ 1/16W D	
R113	RK73HB1J000J	MG RESISTOR	0Ω 1/16W J		R239	RK73HB1J100J	MG RESISTOR	10Ω 1/16W J	
R114	RK73JB1H224J	MG RESISTOR	220kΩ 1/20W J		R240	RK73HH1J473D	MG RESISTOR	47kΩ 1/16W D	
R115	RK73JB1H224J	MG RESISTOR	220kΩ 1/20W J		R241	RK73HH1J473D	MG RESISTOR	47kΩ 1/16W D	
R116	RK73HH1J223D	MG RESISTOR	22kΩ 1/16W D		R242	RK73HH1J123D	MG RESISTOR	12kΩ 1/16W D	
R117	RK73HH1J561D	MG RESISTOR	560Ω 1/16W D		R243	RK73HB1J102J	MG RESISTOR	1kΩ 1/16W J	
R118	RK73HH1J473D	MG RESISTOR	47kΩ 1/16W D		R249	RK73JB1H474J	MG RESISTOR	470kΩ 1/20W J	
R119	RK73HB1J273J	MG RESISTOR	27kΩ 1/16W J		R250	RK73HB1J000J	MG RESISTOR	0Ω 1/16W J	
R120	RN73HH1J471D	MF RESISTOR	470Ω 1/16W D		R252	RK73JB1H104J	MG RESISTOR	100kΩ 1/20W J	
R121	RK73HB1J470J	MG RESISTOR	47Ω 1/16W J		R253	RK73JB1H100J	MG RESISTOR	10Ω 1/20W J	
R123	RK73HB1J000J	MG RESISTOR	0Ω 1/16W J		R254	RK73HB1J000J	MG RESISTOR	0Ω 1/16W J	
R126	RK73EB2ER39J	MG RESISTOR	0.39Ω 1/4W J		R300	RK73HB1J101J	MG RESISTOR	100Ω 1/16W J	
R127	RK73EB2ER39J	MG RESISTOR	0.39Ω 1/4W J		R301	RK73HB1J101J	MG RESISTOR	100Ω 1/16W J	
R128	RK73HB1J390J	MG RESISTOR	39Ω 1/16W J		R302	RK73HB1J101J	MG RESISTOR	100Ω 1/16W J	
R129	RK73HH1J183D	MG RESISTOR	18kΩ 1/16W D		R303	RK73HB1J101J	MG RESISTOR	100Ω 1/16W J	
R130	RK73HH1J183D	MG RESISTOR	18kΩ 1/16W D		R304	RK73HB1J151J	MG RESISTOR	150Ω 1/16W J	
R132	RK73HB1J470J	MG RESISTOR	47Ω 1/16W J		R305	RK73HB1J121J	MG RESISTOR	120Ω 1/16W J	
R134	RK73HH1J183D	MG RESISTOR	18kΩ 1/16W D		R306	RK73HB1J181J	MG RESISTOR	180Ω 1/16W J	
R135	RK73JB1H101J	MG RESISTOR	100Ω 1/20W J		R307	RK73HB1J102J	MG RESISTOR	1kΩ 1/16W J	
R136	RK73HB1J390J	MG RESISTOR	39Ω 1/16W J		R308	RK73HB1J334J	MG RESISTOR	330kΩ 1/16W J	
R137	RK73HH1J183D	MG RESISTOR	18kΩ 1/16W D		R309	RK73HB1J274J	MG RESISTOR	270kΩ 1/16W J	
R140	RN73HH1J680D	MF RESISTOR	68Ω 1/16W D		R310	RK73HB1J103J	MG RESISTOR	10kΩ 1/16W J	
R141	RN73HH1J680D	MF RESISTOR	68Ω 1/16W D		R311	RK73HB1J101J	MG RESISTOR	100Ω 1/16W J	
R142	RK73GB2A823J	MG RESISTOR	82kΩ 1/10W J		R312	RK73HB1J474J	MG RESISTOR	470kΩ 1/16W J	
R143	RK73JB1H472J	MG RESISTOR	4.7kΩ 1/20W J		R313	RK73HB1J152J	MG RESISTOR	1.5kΩ 1/16W J	
R144	RK73JB1H000J	MG RESISTOR	0Ω 1/20W J		R314	RK73HB1J561J	MG RESISTOR	560Ω 1/16W J	
R145	RK73JB1H104J	MG RESISTOR	100kΩ 1/20W J		R315	RK73HB1J473J	MG RESISTOR	47kΩ 1/16W J	
R146	RK73JB1H102J	MG RESISTOR	1kΩ 1/20W J		R316	RK73JB1H682J	MG RESISTOR	6.8kΩ 1/20W J	
R147	RK73EB2ER39J	MG RESISTOR	0.39Ω 1/4W J		R317	RK73JB1H473J	MG RESISTOR	47kΩ 1/20W J	
R148	RK73HB1J102J	MG RESISTOR	1kΩ 1/16W J		R318	RK73HB1J183J	MG RESISTOR	18kΩ 1/16W J	
R149	RK73HB1J000J	MG RESISTOR	0Ω 1/16W J		R319	RK73HB1J124J	MG RESISTOR	120kΩ 1/16W J	
R150	RK73HB1J105J	MG RESISTOR	1MΩ 1/16W J		R320	RK73JB1H101J	MG RESISTOR	100Ω 1/20W J	
R151	RK73HH1J474D	MG RESISTOR	470kΩ 1/16W D		R321	RK73HB1J331J	MG RESISTOR	330Ω 1/16W J	
R152	RK73HB1J101J	MG RESISTOR	100Ω 1/16W J		R322	RK73HB1J332J	MG RESISTOR	3.3kΩ 1/16W J	
R153	RK73HB1J101J	MG RESISTOR	100Ω 1/16W J		R323	RK73JB1H473J	MG RESISTOR	47kΩ 1/20W J	

△ Symbol No.	Part No.	Part Name	Description	Local	△ Symbol No.	Part No.	Part Name	Description	Local
R324	RK73HB1J103J	MG RESISTOR	10kΩ 1/16W J		R601	RK73HB1J182J	MG RESISTOR	1.8kΩ 1/16W J	
R325	RK73HB1J823J	MG RESISTOR	82kΩ 1/16W J		R602	RK73JB1H103J	MG RESISTOR	10kΩ 1/20W J	
R326	RK73JB1H473J	MG RESISTOR	47kΩ 1/20W J		R603	RK73JB1H102J	MG RESISTOR	1kΩ 1/20W J	
R327	RK73HB1J273J	MG RESISTOR	27kΩ 1/16W J		R604	RK73JB1H683J	MG RESISTOR	68kΩ 1/20W J	
R328	RK73JB1H102J	MG RESISTOR	1kΩ 1/20W J		R605	RK73JB1H683J	MG RESISTOR	68kΩ 1/20W J	
R329	RK73JB1H101J	MG RESISTOR	100Ω 1/20W J		R606	RK73JB1H103J	MG RESISTOR	10kΩ 1/20W J	
R330	RK73JB1H000J	MG RESISTOR	0Ω 1/20W J		R607	RK73JB1H103J	MG RESISTOR	10kΩ 1/20W J	
R331	RK73JB1H102J	MG RESISTOR	1kΩ 1/20W J		R608	RK73HB1J272J	MG RESISTOR	2.7kΩ 1/16W J	
R332	RK73JB1H473J	MG RESISTOR	47kΩ 1/20W J		R609	RK73HB1J473J	MG RESISTOR	47kΩ 1/16W J	
R400	RK73HB1J102J	MG RESISTOR	1kΩ 1/16W J		R610	RK73HB1J472J	MG RESISTOR	4.7kΩ 1/16W J	
R401	RK73JB1H104J	MG RESISTOR	100kΩ 1/20W J		R611	RK73JB1H103J	MG RESISTOR	10kΩ 1/20W J	
R402	RK73JB1H104J	MG RESISTOR	100kΩ 1/20W J		R612	RK73HB1J474J	MG RESISTOR	470kΩ 1/16W J	
R405	RK73JB1H104J	MG RESISTOR	100kΩ 1/20W J		R613	RK73HB1J101J	MG RESISTOR	100Ω 1/16W J	
R406	RK73JB1H104J	MG RESISTOR	100kΩ 1/20W J		R614	RK73HB1J563J	MG RESISTOR	56kΩ 1/16W J	
R407	RK73HB1J393J	MG RESISTOR	39kΩ 1/16W J		R615	RK73HB1J104J	MG RESISTOR	100kΩ 1/16W J	
R408	RK73JB1H103J	MG RESISTOR	10kΩ 1/20W J		R616	RK73JB1H104J	MG RESISTOR	100kΩ 1/20W J	
R409	RK73JB1H104J	MG RESISTOR	100kΩ 1/20W J		R617	RK73HB1J104J	MG RESISTOR	100kΩ 1/16W J	
R410	RK73HB1J103J	MG RESISTOR	10kΩ 1/16W J		R618	RK73HB1J104J	MG RESISTOR	100kΩ 1/16W J	
R412	RK73JB1H104J	MG RESISTOR	100kΩ 1/20W J		R619	RK73HB1J000J	MG RESISTOR	0Ω 1/16W J	
R413	RK73JB1H104J	MG RESISTOR	100kΩ 1/20W J		R620	RK73HB1J101J	MG RESISTOR	100Ω 1/16W J	
R414	RK73HB1J000J	MG RESISTOR	0Ω 1/16W J		R621	RK73HB1J101J	MG RESISTOR	100Ω 1/16W J	
R415	RK73FB2B000J	MG RESISTOR	0Ω 1/8W J		R622	RK73HB1J101J	MG RESISTOR	100Ω 1/16W J	
R416	RK73HH1J103D	MG RESISTOR	10kΩ 1/16W D		R623	RK73HB1J100J	MG RESISTOR	10Ω 1/16W J	
R417	RK73HH1J333D	MG RESISTOR	33kΩ 1/16W D		R624	RK73HB1J104J	MG RESISTOR	100kΩ 1/16W J	
R500	RK73JB1H000J	MG RESISTOR	0Ω 1/20W J		R625	RK73HB1J104J	MG RESISTOR	100kΩ 1/16W J	
R501	RK73HB1J000J	MG RESISTOR	0Ω 1/16W J		R626	RK73HB1J101J	MG RESISTOR	100Ω 1/16W J	
R502	RK73JB1H101J	MG RESISTOR	100Ω 1/20W J		R627	RK73HB1J104J	MG RESISTOR	100kΩ 1/16W J	
R503	RK73HB1J104J	MG RESISTOR	100kΩ 1/16W J		R628	RK73HB1J100J	MG RESISTOR	10Ω 1/16W J	
R504	RK73JB1H103J	MG RESISTOR	10kΩ 1/20W J		R629	RK73HH1J473D	MG RESISTOR	47kΩ 1/16W D	
R505	RK73JB1H102J	MG RESISTOR	1kΩ 1/20W J		R630	RK73HH1J473D	MG RESISTOR	47kΩ 1/16W D	
R506	RK73JB1H473J	MG RESISTOR	47kΩ 1/20W J		R631	RK73HB1J104J	MG RESISTOR	100kΩ 1/16W J	
R507	RK73JB1H102J	MG RESISTOR	1kΩ 1/20W J		R632	RK73HB1J000J	MG RESISTOR	0Ω 1/16W J	
R509	RK73JB1H104J	MG RESISTOR	100kΩ 1/20W J		R633	RK73HB1J100J	MG RESISTOR	10Ω 1/16W J	
R510	RK73JB1H103J	MG RESISTOR	10kΩ 1/20W J		R634	RK73HB1J101J	MG RESISTOR	100Ω 1/16W J	
R511	RK73JB1H104J	MG RESISTOR	100kΩ 1/20W J		R635	RK73HB1J000J	MG RESISTOR	0Ω 1/16W J	
R512	RK73JB1H473J	MG RESISTOR	47kΩ 1/20W J		R636	RK73JB1H473J	MG RESISTOR	47kΩ 1/20W J	
R513	RK73JB1H000J	MG RESISTOR	0Ω 1/20W J		R637	RK73HB1J102J	MG RESISTOR	1kΩ 1/16W J	
R514	RK73JB1H103J	MG RESISTOR	10kΩ 1/20W J		R638	RK73HB1J100J	MG RESISTOR	10Ω 1/16W J	
R515	RK73JB1H103J	MG RESISTOR	10kΩ 1/20W J		R639	RK73HB1J102J	MG RESISTOR	1kΩ 1/16W J	
R516	RK73JB1H103J	MG RESISTOR	10kΩ 1/20W J		R640	RK73HB1J104J	MG RESISTOR	100kΩ 1/16W J	
R518	RK73JB1H104J	MG RESISTOR	100kΩ 1/20W J		R641	RK73JB1H473J	MG RESISTOR	47kΩ 1/20W J	
R520	RK73JB1H000J	MG RESISTOR	0Ω 1/20W J		R643	RK73HB1J103J	MG RESISTOR	10kΩ 1/16W J	
R521	RK73JB1H474J	MG RESISTOR	470kΩ 1/20W J		R644	RK73HB1J103J	MG RESISTOR	10kΩ 1/16W J	
R522	RK73JB1H820J	MG RESISTOR	82Ω 1/20W J		R645	RK73HB1J153J	MG RESISTOR	15kΩ 1/16W J	
R523	RK73JB1H101J	MG RESISTOR	100Ω 1/20W J		R646	RK73HB1J100J	MG RESISTOR	10Ω 1/16W J	
R524	RK73JB1H100J	MG RESISTOR	10Ω 1/20W J		R647	RK73HB1J101J	MG RESISTOR	100Ω 1/16W J	
R525	RK73JB1H000J	MG RESISTOR	0Ω 1/20W J		R648	RK73HB1J271J	MG RESISTOR	270Ω 1/16W J	
R526	RK73JB1H000J	MG RESISTOR	0Ω 1/20W J		R649	RK73JB1H103J	MG RESISTOR	10kΩ 1/20W J	
R527	RK73JB1H000J	MG RESISTOR	0Ω 1/20W J		R650	RK73HB1J105J	MG RESISTOR	1MΩ 1/16W J	
R528	RK73JB1H103J	MG RESISTOR	10kΩ 1/20W J		R651	RK73JB1H104J	MG RESISTOR	100kΩ 1/20W J	
R530	RK73HB1J000J	MG RESISTOR	0Ω 1/16W J		R700	RK73HB1J000J	MG RESISTOR	0Ω 1/16W J	
R531	RK73HB1J000J	MG RESISTOR	0Ω 1/16W J		R701	RK73JB1H472J	MG RESISTOR	4.7kΩ 1/20W J	
R532	RK73HB1J000J	MG RESISTOR	0Ω 1/16W J		R702	RK73HB1J271J	MG RESISTOR	270Ω 1/16W J	
R533	RK73HB1J000J	MG RESISTOR	0Ω 1/16W J		R704	RK73HB1J271J	MG RESISTOR	270Ω 1/16W J	
R534	RK73HB1J000J	MG RESISTOR	0Ω 1/16W J		R705	RK73HB1J472J	MG RESISTOR	4.7kΩ 1/16W J	
R535	RK73HB1J000J	MG RESISTOR	0Ω 1/16W J		R706	RK73HB1J472J	MG RESISTOR	4.7kΩ 1/16W J	
R536	RK73HB1J000J	MG RESISTOR	0Ω 1/16W J		R718	RK73JB1H103J	MG RESISTOR	10kΩ 1/20W J	
R537	RK73HB1J000J	MG RESISTOR	0Ω 1/16W J		R719	RK73JB1H224J	MG RESISTOR	220kΩ 1/20W J	
R538	RK73HB1J000J	MG RESISTOR	0Ω 1/16W J		R721	RK73JB1H103J	MG RESISTOR	10kΩ 1/20W J	
R539	RK73HB1J000J	MG RESISTOR	0Ω 1/16W J		R722	RK73JB1H000J	MG RESISTOR	0Ω 1/20W J	
R540	RK73HB1J000J	MG RESISTOR	0Ω 1/16W J		R723	RK73JB1H103J	MG RESISTOR	10kΩ 1/20W J	
R541	RK73HB1J000J	MG RESISTOR	0Ω 1/16W J		R724	RK73JB1H103J	MG RESISTOR	10kΩ 1/20W J	
R542	RK73HB1J000J	MG RESISTOR	0Ω 1/16W J		R725	RK73JB1H103J	MG RESISTOR	10kΩ 1/20W J	
R543	RK73HB1J000J	MG RESISTOR	0Ω 1/16W J		R726	RK73JB1H103J	MG RESISTOR	10kΩ 1/20W J	
R600	RK73JB1H471J	MG RESISTOR	470Ω 1/20W J		R727	RK73JB1H103J	MG RESISTOR	10kΩ 1/20W J	

△ Symbol No.	Part No.	Part Name	Description	Local	△ Symbol No.	Part No.	Part Name	Description	Local
R728	RK73JB1H103J	MG RESISTOR	10kΩ 1/20W J		L407	LB73H0AV-001	CHIP FERRITE		
R729	RK73JB1H103J	MG RESISTOR	10kΩ 1/20W J		L408	LB73H0AV-001	CHIP FERRITE		
R730	RK73JB1H103J	MG RESISTOR	10kΩ 1/20W J		L500	LB73H0AV-002	CHIP FERRITE		
R731	RK73JB1H103J	MG RESISTOR	10kΩ 1/20W J		L501	LB73H0AV-002	CHIP FERRITE		
R732	RK73JB1H103J	MG RESISTOR	10kΩ 1/20W J		L600	LB73H0AV-003	CHIP FERRITE		
R733	RK73JB1H103J	MG RESISTOR	10kΩ 1/20W J		L601	LB73H0AV-003	CHIP FERRITE		
R734	RK73JB1H103J	MG RESISTOR	10kΩ 1/20W J		L602	LB73H0AV-003	CHIP FERRITE		
R735	RK73JB1H103J	MG RESISTOR	10kΩ 1/20W J		L603	LB73H0AV-003	CHIP FERRITE		
R736	RK73JB1H103J	MG RESISTOR	10kΩ 1/20W J		L604	LB73H0AV-003	CHIP FERRITE		
					L700	LB73H0AV-002	CHIP FERRITE		
L1	LB73H0AV-001	CHIP FERRITE			CN1	E23-1278-05	TERMINAL		
L2	LK73G0BB4R7K	M.CHIP INDUCTOR			CN2	E23-1278-05	TERMINAL		
L3	LB73H0AV-002	CHIP FERRITE			CN3	E23-1278-05	TERMINAL		
L4	LB73G0BJ-001	CHIP FERRITE			CN4	E23-1278-05	TERMINAL		
L5	L41-1502-70	CHIP INDUCTOR			CN5	E23-1278-05	TERMINAL		
L6	LB73H0AY-004	CHIP FERRITE			CN6	E23-1278-05	TERMINAL		
L7	LK73H0AMR10J	M.CHIP INDUCTOR	0.1uH		CN7	E23-1278-05	TERMINAL		
L8	LK73H0AMR10J	M.CHIP INDUCTOR	0.1uH		CN8	E23-1278-05	TERMINAL		
L9	LK73H0AMR10J	M.CHIP INDUCTOR	0.1uH		CN9	E23-1278-05	TERMINAL		
L10	LB73H0AY-004	CHIP FERRITE			CN10	E23-1278-05	TERMINAL		
L11	LR79H0AZ5N1B	CHIP INDUCTOR			CN300	E40-6922-05	F.C.CONNECTOR		
L13	L3C-0020-00	OSC-COIL			CP1	RK74HA1J101J	MG RESISTOR	100Ω 1/16W J	
L15	LK73H0AMR15J	M.CHIP INDUCTOR			CP200	RK74HA1J474J	MG RESISTOR	470kΩ 1/16W J	
L16	LK73H0AMR10J	M.CHIP INDUCTOR	0.1uH		CP201	RK74HB1J101J	NET RESISTOR	100Ω 1/16W J	
L17	LK73H0AMR15J	M.CHIP INDUCTOR			CP202	RK74HA1J104J	MG RESISTOR	100kΩ 1/16W J	
L18	LK73H0AM10NJ	M.CHIP INDUCTOR	10nH		CP203	RK74HA1J104J	MG RESISTOR	100kΩ 1/16W J	
L19	LK73H0AM5N6S	M.CHIP INDUCTOR	5.6nH		CP300	RK74HA1J103J	MG RESISTOR	10kΩ 1/16W J	
L20	LK73H0AM4N7S	M.CHIP INDUCTOR	4.7nH		CP301	RK74HA1J103J	MG RESISTOR	10kΩ 1/16W J	
L21	LK73H0AM6N8J	M.CHIP INDUCTOR	6.8nH		CP401	RK74HA1J474J	MG RESISTOR	470kΩ 1/16W J	
L100	LK73H0BC27NJ	M.CHIP INDUCTOR			CP500	RK74HA1J473J	MG RESISTOR	47kΩ 1/16W J	
L104	LK73H0AM56NJ	M.CHIP INDUCTOR			CP501	RK74HA1J473J	MG RESISTOR	47kΩ 1/16W J	
L105	LK73H0BC18NJ	M.CHIP INDUCTOR			CP600	RK74HB1J101J	NET RESISTOR	100Ω 1/16W J	
L106	LB73H0AV-002	CHIP FERRITE			CP601	RK74HA1J474J	MG RESISTOR	470kΩ 1/16W J	
L107	LK73H0BC12NJ	M.CHIP INDUCTOR			CP701	RK74HB1J471J	MG RESISTOR	470Ω 1/16W J	
L108	LR79G0GK27NG	CHIP INDUCTOR			CP702	RK74HB1J471J	MG RESISTOR	470Ω 1/16W J	
L109	LB73F0AV-002	CHIP FERRITE			CP703	RK74HB1J103J	NET RESISTOR	10kΩ 1/16W J	
L111	L41-1563-53	CHIP INDUCTOR			CP704	RK74HB1J103J	NET RESISTOR	10kΩ 1/16W J	
L112	LB73F0AV-002	CHIP FERRITE			CP705	RK74HB1J103J	NET RESISTOR	10kΩ 1/16W J	
L113	LR79Z0DD21N9J	CHIP INDUCTOR			CP706	RK74HB1J103J	NET RESISTOR	10kΩ 1/16W J	
L114	LR79G0GK6N0C	CHIP INDUCTOR			CP709	RK74HB1J103J	NET RESISTOR	10kΩ 1/16W J	
L115	LR79G0GKR22G	CHIP INDUCTOR			CP711	RK74HB1J103J	NET RESISTOR	10kΩ 1/16W J	
L116	LR79Z0DD16N9J	CHIP INDUCTOR			CP712	RK74HB1J101J	NET RESISTOR	100Ω 1/16W J	
L117	LR79Z0DD16N9J	CHIP INDUCTOR			E1	-----	SHIELDING CASE	Note 2	
L118	LR79Z0DD16N9J	CHIP INDUCTOR			F300	F53-0498-05	FUSE	1.0A	
L119	LR79Z0DD16N9J	CHIP INDUCTOR			F400	FZA10BQ-3R15	FUSE (CC)	3.15A	
L120	LK73H0AM22NJ	M.CHIP INDUCTOR			J300	E1B-0021-10	PHONE JACK		
L200	L41-1575-53	CHIP INDUCTOR			S301	S70-0414-05	TACTILE PUSH SW		
L201	L41-8268-14	CHIP INDUCTOR			S302	S7A-0036-00	TACTILE PUSH SW		
L202	L41-8268-14	CHIP INDUCTOR			S303	S7A-0036-00	TACTILE PUSH SW		
L204	LR79G0CQ6N8C	CHIP INDUCTOR			S701	S70-0519-05	TACTILE PUSH SW		
L205	L41-8268-14	CHIP INDUCTOR			S702	S70-0519-05	TACTILE PUSH SW		
L206	L41-8268-14	CHIP INDUCTOR			S703	S70-0519-05	TACTILE PUSH SW		
L208	LB73H0AV-002	CHIP FERRITE			S704	S70-0519-05	TACTILE PUSH SW		
L210	LK73H0AM27NJ	M.CHIP INDUCTOR	27nH		S705	S70-0519-05	TACTILE PUSH SW		
L211	LB73H0AV-001	CHIP FERRITE			S706	S70-0519-05	TACTILE PUSH SW		
L212	LB73H0AV-001	CHIP FERRITE			S707	S70-0519-05	TACTILE PUSH SW		
L213	LB73H0AV-001	CHIP FERRITE			TH1	NCP15WF104F03	N THERMISTOR		
L214	LB73H0AV-001	CHIP FERRITE			TH100	NCP15WF104F03	N THERMISTOR		
L400	LB73F0DD-001	CHIP FERRITE			X1	L7H-0110-00	TCXO		
L401	LB73H0AV-001	CHIP FERRITE			X500	L7H-0111-00	TCXO		
L402	LB73H0AV-001	CHIP FERRITE							
L403	LB73G0CQ-001	CHIP FERRITE							
L404	LB73G0CQ-001	CHIP FERRITE							
L405	LK73P0CF2R2M	M.CHIP INDUCTOR							
L406	LB73G0CQ-001	CHIP FERRITE							

Packing materials and accessories parts list (NX-1300 series)

Block No.M4MM



Packing and accessories

Block No. [M][4][M][M]

△ Symbol No.	Part No.	Part Name	Description	Local
1	B5A-3224-00	INST.MANUAL	E,F,S	
2	B0K-0116-00	CAP		
3	B0K-0117-00	CAP ASSY	2PIN	
4	-----	PACKING FIXTURE	ACC	
5	-----	PROTECTION BAG	RADIO	
6	-----	PROTECTION BAG	HOLDER	
7	H5A-1914-00	ITEM CARTON	ACC	
8	J1K-0817-00	HOLDER		
9	J1K-0818-00	HOLDER ASSY	2PIN	
10	J29-0734-25	HOOK ASSY		
11	N0Z-0292-00	BI.HEAD M.SCREW	(x2)	
12	N1Y-0054-00	INS.WASHER	(x2)	
13	N99-2089-05	SCREW SET		
14	T90-1039-25	WHIP ANTENNA	KRA-27M	
15	W08-1247-25	AC ADAPTER (CC)	K	
16	W08-1249-65	CHARGER (CC)		
17	-----	LI-ION BAT.P(CC)	KNB-45L	