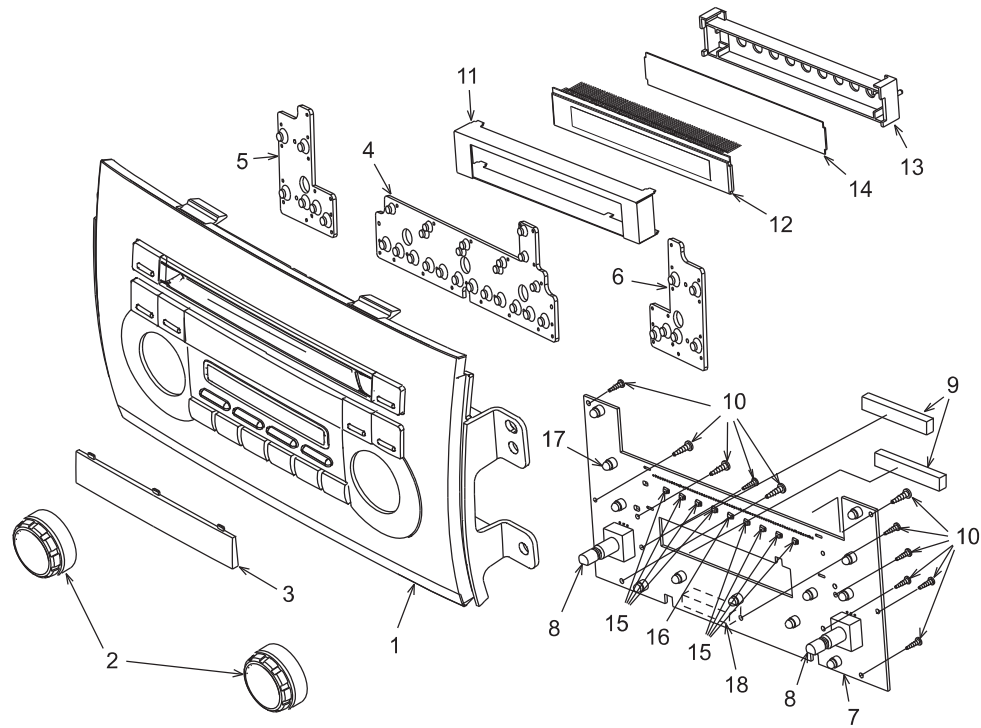


# EXPLODED VIEW/PARTS LIST

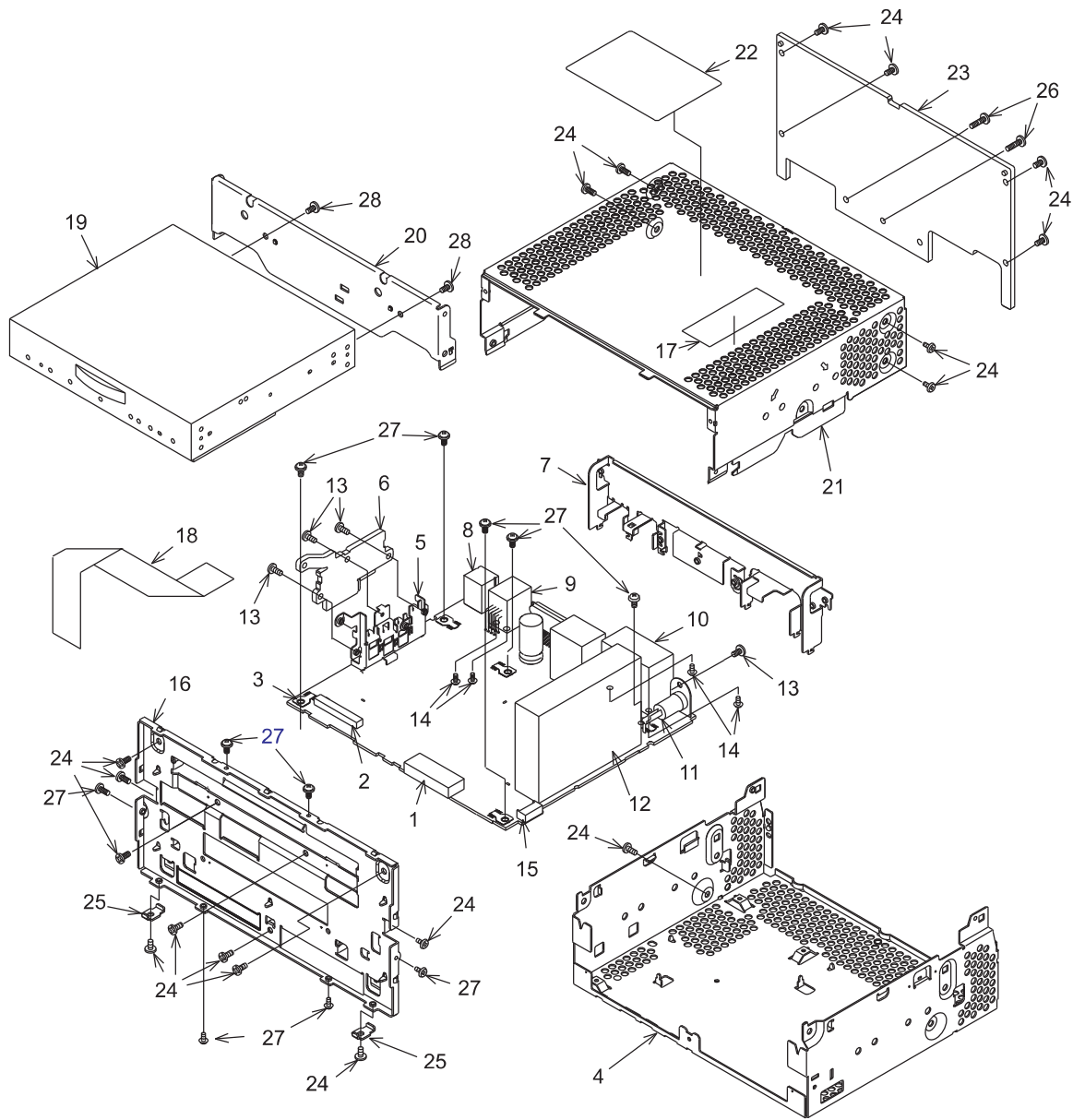
## Escutcheon section



Clamping torque value of a screw is 0.2 +0.04/-0.04 Newton meter.

NO.	PART NO.	DESCRIPTION	Q'TY	NO.	PART NO.	DESCRIPTION	Q'TY
1	940-8120-31	ESCUTCHEON ASSY	1	10	716-0778-51	P-TITE SCREW (2x6)	11
2	947-0602-00	KNOB ASSY	2	11	331-4264-00	LCD COVER	1
3	371-5854-10	DIAL COVER	1	12	379-1362-51	INDICATOR (LCD)	1
4	345-5589-00	RUBBER SW (CENTER)	1	13	335-7705-00	LCD HOLDER	1
5	345-5590-00	RUBBER SW (LEFT)	1	14	335-7929-00	COLOR FILTER	1
6	345-5591-00	RUBBER SW (RIGHT)	1	15	001-7048-91	DIODE RED	8
7	-----	Switch PWB	1	16	001-7087-90	DIODE RED	1
8	016-0014-12	VR W/SHAFT	2	17	017-0420-43	PL LAMP (14V 40mA RED)	12
9	345-8639-01	PROTECTOR	2	18	074-3013-74	OUTLETSOCKET	1

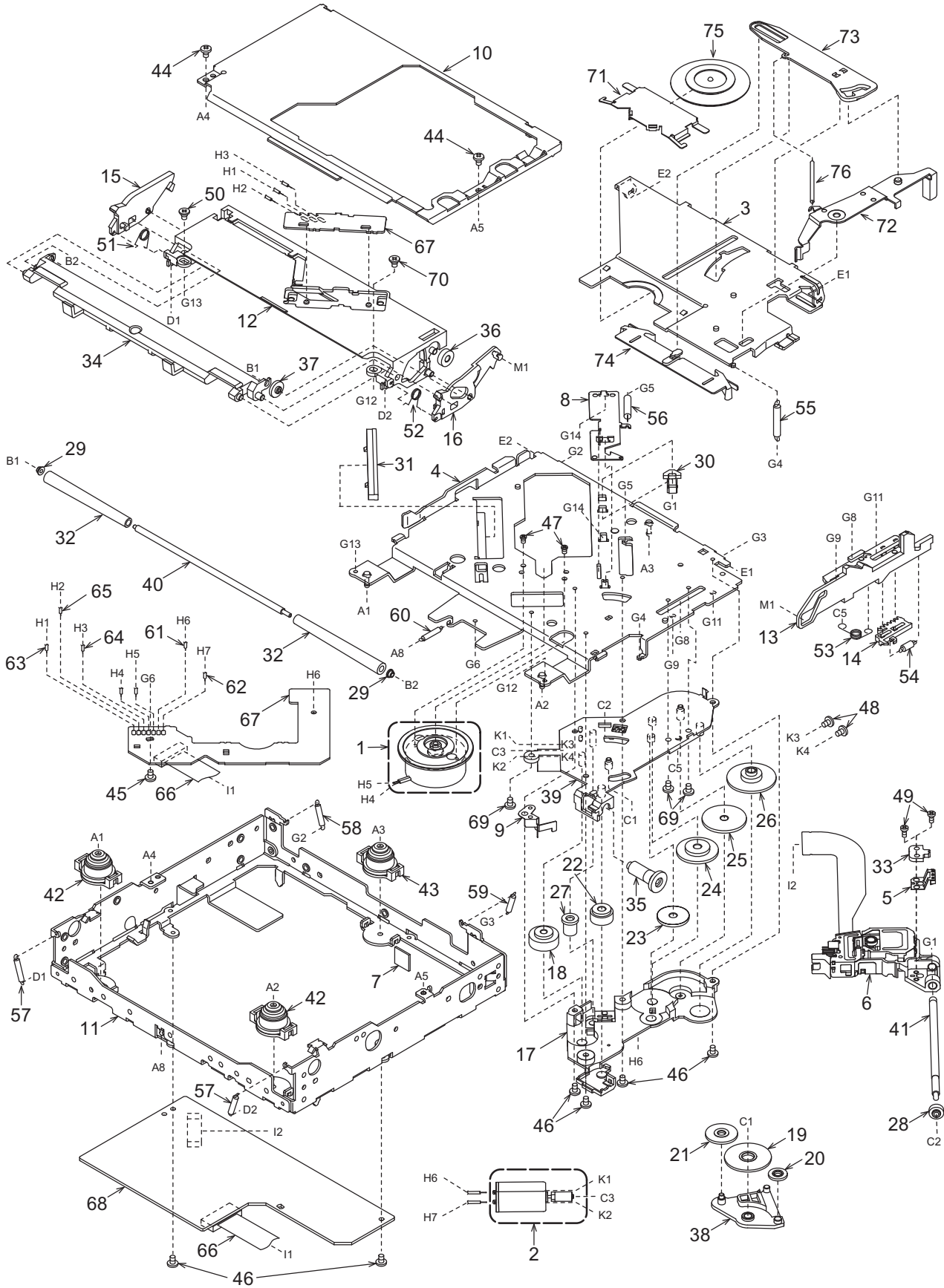
Main section



Clamping torque value of a screw is 0.4 +0.08/-0.08 Newton meter.

NO.	PART NO.	DESCRIPTION	Q'TY	NO.	PART NO.	DESCRIPTION	Q'TY
1	076-0662-74	PLUG(26P)	1	15	076-0717-09	PLUG	1
2	074-1237-70	OUTLET SOCKET	1	16	309-0819-00	ES PLATE	1
3	073-0762-90	TERMINAL	5	17	285-1960-00	GUIDE LABEL	1
4	311-1919-02	LOWER CASE	1	18	816-4030-50	FLAT WIRE	1
5	331-4126-00	TR HOLDER	1	19	929-5005-80	CD-MECH-MODULE	1
6	313-1966-00	SUB HEAT SINK	1	20	331-4123-00	CD BRKT	1
7	331-4127-00	REAR PLATE	1	21	310-1826-00	UPPER CASE	1
8	074-1194-00	OUTLET SOCKET	1	22	286-6224-24	SETPLATE	1
9	074-1302-08	OUTLET SOCKET	1	23	313-1962-00	HEAT SINK	1
10	074-4007-20	OUTLET SOCKET	1	24	714-2606-8B	MACHINE SCREW(M2.6x6)	18
11	092-0702-00	ANT-RECEPT	1	25	331-4193-20	SU-PLATE	2
12	941-0221-70	TUNER PACK	2	26	714-2610-89	MACHINE SCREW(M2.6x10)	2
13	714-2606-8B	MACHINE SCREW(M2.6x6)	4	27	716-0878-50	IT SCREW(M2.6x5)	11
14	778-3006-00	TAP-SCREW(3x6)	4	28	714-2603-8B	MACHINE SCREW(M2.6x3)	2

CD mechanism section:(929-5005-80)



NO.	PART NO.	DESCRIPTION	Q'TY	NO.	PART NO.	DESCRIPTION	Q'TY
1	SMA-182-100	SPD-MOTOR-ASSY	1	39	621-1754-20	GEAR BASE	1
2	SMA-183-100	POW-MOTOR-ASSY	1	40	622-1571-21	ROLLER SHAFT	1
3	620-1596-23	CLAMPER LINK	1	41	624-0020-00	LEAD SCREW	1
4	966-1743-21	DRIVE-PLT-ASSY	1	42	629-0086-20	DAMPER F	2
5	966-1722-20	SH-RACK-ASSY	1	43	629-0087-20	DAMPER R	1
6	969-0071-30	PICKUP-ASSY	1	44	714-2003-8B	MACHIN SCREW(M2x3)	2
7	345-5476-20	CUSHION RUBBER	1	45	716-1507-01	SCREW(M2x3)	1
8	620-1753-20	ID-LOCK PLATE	1	46	716-1670-01	SCREW(M2x4)	6
9	620-1026-21	SPRING PLATE	1	47	716-1733-01	SCREW(M1.7x2.3)	2
10	620-1598-22	UPPER CHASSIS	1	48	716-3551-00	SCREW(M1.4x2.5)	2
11	620-1766-20	LOWER CHASSIS-W	1	49	716-3469-01	SCREW(phi1.7x4)	2
12	621-1742-20	UPPER GUIDE	1	50	716-3473-01	SCREW(M2x3)	1
13	621-1743-20	SHIFT LEVER	1	51	750-6797-20	ROLLER SPRING L	1
14	621-1744-20	RACK	1	52	750-6798-20	ROLLER SPRING R	1
15	621-1745-20	LOCK ARM L	1	53	750-3467-21	SHIFT SPRING	1
16	621-1746-20	LOCK ARM R	1	54	750-3468-20	RACK SPRING	1
17	621-1747-20	GEAR COVER	1	55	750-3469-20	CLAMPER SPRING	1
18	621-0608-21	SECOND GEAR	1	56	750-3470-20	ID-LOCK SPRING	1
19	621-0609-20	BASE GEAR	1	57	750-3472-21	DR-SPRING F	2
20	621-0610-20	IDLE GEAR A	1	58	750-3473-20	DR-SPRING RA	1
21	621-0611-20	IDLE GEAR B	1	59	750-3474-20	DR-SPRING RB	1
22	621-0612-21	ROLLER GEAR A	1	60	750-3475-21	DR-SPRING C	1
23	621-1748-20	POWER GEAR A	1	61	803-4906-60	VINYL-COAT-WIRE(ORG)	1
24	621-1749-20	POWER GEAR B	1	62	816-2590-00	LEAD(GRN)	1
25	621-1750-20	POWER GEAR C	1	63	816-2591-00	LEAD(YEL)	1
26	621-1751-20	POWER GEAR D	1	64	816-2592-00	LEAD(BLU)	1
27	621-0620-20	THREAD GEAR A	1	65	816-2593-00	LEAD(PUR)	1
28	621-0621-20	THREAD GEAR B	1	66	816-2624-50	FLAT WIRE	1
29	621-1726-20	ROLLER SLEEVE	2	67	-----	SENSOR PWB	1
30	621-0623-23	LS-HOLDER	1	68	-----	CD PWB	1
31	621-0624-22	GUIDE RAIL	1	69	780-2025-00	SCREW(M2.0x2.5)	3
32	621-0711-20	LOADING ROLLER	2	70	781-1730-00	SCREW(M1.7x3.0)	1
33	621-1729-20	SH-BASE	1	71	620-1023-23	CLAMPER PLATE	1
34	621-0718-21	ROLLER GUIDE	1	72	620-1752-20	SENSOR ARM	1
35	621-0719-20	ROLLER GEAR	1	73	621-0728-20	STOPPER LINK	1
36	621-0720-20	ROLLER GEAR C	1	74	621-1752-20	DISC STOPPER	1
37	621-0721-20	ROLLER GEAR D	1	75	621-1753-20	CLAMPER RING	1
38	621-1719-20	IDLE CASE	1	76	750-3471-20	SENSOR SPRING	1

# ELECTRICAL PARTS LIST

## Switch PWB section (B1)

REF No.	PART No.	DESCRIPTION	REF No.	PART No.	DESCRIPTION	REF No.	PART No.	DESCRIPTION
C100	168-1042-78	16V 0.1uF	D115	001-0516-90	MA111	R110	119-4711-15	1/10W 470 ohm
C101	168-1042-78	16V 0.1uF	D116	001-0516-90	MA111	R111	119-4711-15	1/10W 470 ohm
C102	168-1042-78	16V 0.1uF	IC100	051-6084-00	NUJ6625FG1-03	R112	119-8211-15	1/10W 820 ohm
C103	168-1042-78	16V 0.1uF	J100	074-3013-74	24P	R113	119-8211-15	1/10W 820 ohm
C104	168-1042-78	16V 0.1uF	L100	010-3406-66	22uH J	R114	119-7511-15	1/10W 750 ohm
C105	178-1052-78	1uF	PL100	017-0420-43	14V 40mA RED	R116	119-0000-05	1/10W 0 ohm JW
D100	001-7048-91	RFR1112H-22 C,D RED	PL101	017-0420-43	14V 40mA RED	R117	119-0000-05	1/10W 0 ohm JW
D101	001-7048-91	RFR1112H-22 C,D RED	PL102	017-0420-43	14V 40mA RED	R119	119-0000-05	1/10W 0 ohm JW
D102	001-7048-91	RFR1112H-22 C,D RED	PL104	017-0420-43	14V 40mA RED	R120	119-0000-05	1/10W 0 ohm JW
D103	001-7048-91	RFR1112H-22 C,D RED	PL105	017-0420-43	14V 40mA RED	R121	119-4341-15	1/10W 430k ohm
D104	001-7087-90	RBR1112H C,D,E RED	PL106	017-0420-43	14V 40mA RED	R125	119-0000-05	1/10W 0 ohm JW
D105	001-7048-91	RFR1112H-22 C,D RED	PL107	017-0420-43	14V 40mA RED	R126	119-0000-05	1/10W 0 ohm JW
D106	001-7048-91	RFR1112H-22 C,D RED	PL108	017-0420-43	14V 40mA RED	R128	119-1021-15	1/10W 1k ohm
D107	001-7048-91	RFR1112H-22 C,D RED	PL109	017-0420-43	14V 40mA RED	R129	119-1021-15	1/10W 1k ohm
D108	001-7048-91	RFR1112H-22 C,D RED	PL110	017-0420-43	14V 40mA RED	R131	119-0000-05	1/10W 0 ohm JW
D113	001-0516-90	MA111	PL111	017-0420-43	14V 40mA RED	R132	119-0000-05	1/10W 0 ohm JW
D114	001-0516-90	MA111	R100	119-5611-15	1/10W 560 ohm	R200	119-1841-15	1/10W 180k ohm
			R101	119-4711-15	1/10W 470 ohm	R201	119-1841-15	1/10W 180k ohm
			R102	119-4711-15	1/10W 470 ohm	R202	119-1841-15	1/10W 180k ohm
			R103	119-5611-15	1/10W 560 ohm	R203	119-1841-15	1/10W 180k ohm
			R104	119-4711-15	1/10W 470 ohm	TH100	002-0306-90	SC20-3J153
			R105	119-4711-15	1/10W 470 ohm	TM100	073-0778-90	TERMINAL
			R106	119-5611-15	1/10W 560 ohm	VR100	016-0014-12	VR W/SHAFT
			R107	119-4711-15	1/10W 470 ohm	VR101	016-0014-12	VR W/SHAFT
			R108	119-4711-15	1/10W 470 ohm	PWB	039-2920-00	PWB(WITHOUT COMPONENT)
			R109	119-5611-15	1/10W 560 ohm			

## Main PWB section (B2)

REF No.	PART No.	DESCRIPTION	REF No.	PART No.	DESCRIPTION	REF No.	PART No.	DESCRIPTION
ANT102	092-0702-00	ANT RECEPT	C306	178-1052-78	1uF	C396	163-1053-65	50V 1uF
BL101	941-0221-70	TUNER PACK	C309	168-2232-55	0.022uF K	C397	042-1624-00	16V 4700uF
C103	168-2232-55	0.022uF K	C310	168-2232-55	0.022uF K	C398	163-1063-35	16V 10uF
C104	188-1073-28	10V 100uF	C311	188-2253-68	50V 2.2uF	C399	163-1053-65	50V 1uF
C105	168-1042-78	16V 0.1uF	C312	188-2253-68	50V 2.2uF	C501	168-1042-78	16V 0.1uF
C106	168-1042-78	16V 0.1uF	C313	188-2253-68	50V 2.2uF	C502	188-4763-18	6.3V 47uF
C107	188-1073-28	10V 100uF	C314	188-2253-68	50V 2.2uF	C503	168-1032-55	0.01uF K
C108	168-1042-78	16V 0.1uF	C318	168-1522-55	1500pF K	C504	168-1032-55	0.01uF K
C109	168-2232-55	0.022uF K	C319	168-1522-55	1500pF K	C505	168-1032-55	0.01uF K
C111	168-2232-55	0.022uF K	C322	188-1063-38	16V 10uF	C506	168-1042-78	16V 0.1uF
C112	168-4745-79	0.47uF Z	C323	188-1063-38	16V 10uF	C507	188-1053-68	50V 1uF
C113	168-5632-78	16V 0.056uF	C324	188-1073-28	10V 100uF	C509	168-1022-55	1000pF K
C114	168-5632-78	16V 0.056uF	C325	168-1042-78	16V 0.1uF	C510	168-1022-55	1000pF K
C121	166-1501-50	15pF CH	C326	188-1053-68	50V 1uF	C511	168-1042-78	16V 0.1uF
C122	188-4763-38	16V 47uF	C327	188-1053-68	50V 1uF	C512	168-1032-55	0.01uF K
C123	168-1022-55	1000pF K	C328	188-2253-68	50V 2.2uF	C513	189-1073-29	10V 100uF
C124	042-1458-90	50V 1uF LN	C329	188-2253-68	50V 2.2uF	C514	168-1042-78	16V 0.1uF
C125	166-1501-50	15pF CH	C330	168-2222-55	2200pF K	C515	166-1011-50	100pF CH
C126	166-1011-50	100pF CH	C331	168-2222-55	2200pF K	C516	188-1063-38	16V 10uF
C127	166-1011-50	100pF CH	C332	178-3342-78	0.33uF	C517	042-0559-00	5.5V 0.1F
C128	166-1011-50	100pF CH	C333	178-3342-78	0.33uF	C722	168-1042-78	16V 0.1uF
C129	166-1011-50	100pF CH	C334	166-4711-50	470pF CH	C731	172-1041-15	0.1uF
C130	168-2232-55	0.022uF K	C335	166-4711-50	470pF CH	C732	188-1053-68	50V 1uF
C131	188-4763-38	16V 47uF	C346	188-1073-28	10V 100uF	C741	043-0328-90	0.1uF
C132	166-1811-50	180pF CH	C352	168-1042-78	16V 0.1uF	C744	188-1073-28	10V 100uF
C133	168-1042-78	16V 0.1uF	C353	042-1562-15	10V 220uF	C761	188-1063-38	16V 10uF
C160	168-1042-78	16V 0.1uF	C354	166-2201-50	22pF CH	C762	188-1063-38	16V 10uF
C212	188-4763-38	16V 47uF	C355	166-2201-50	22pF CH	C771	188-1073-28	10V 100uF
C231	168-1042-78	16V 0.1uF	C356	166-1007-50	10pF CH	C772	188-1063-38	16V 10uF
C232	188-4763-18	6.3V 47uF	C357	166-1007-50	10pF CH	C791	188-4756-58	35V 4.7uF
C233	168-1042-78	16V 0.1uF	C358	188-1063-38	16V 10uF	C792	168-1042-78	16V 0.1uF
C234	168-2232-55	0.022uF K	C359	188-1063-38	16V 10uF	C811	172-1041-15	0.1uF
C271	189-4773-19	6.3V 470uF	C360	188-1063-38	16V 10uF	C821	188-1063-38	16V 10uF
C273	043-0328-90	0.1uF	C361	188-1063-38	16V 10uF	CCT501	050-0140-54	1/32W 1k ohm x4J
C274	189-2273-29	10V 220uF	C391	168-1042-78	16V 0.1uF	CCT504	050-0140-54	1/32W 1k ohm x4J
C276	043-0328-90	0.1uF	C392	168-1042-78	16V 0.1uF	CCT505	050-0140-54	1/32W 1k ohm x4J
C301	178-1052-78	1uF	C393	168-1042-78	16V 0.1uF	D391	001-0516-90	MA111
C302	178-1052-78	1uF	C394	168-1042-78	16V 0.1uF	D505	001-0516-90	MA111
C305	178-1052-78	1uF	C395	168-1032-55	0.01uF K	D506	001-2403-90	M1F60

REF No.	PART No.	DESCRIPTION	REF No.	PART No.	DESCRIPTION	REF No.	PART No.	DESCRIPTION
D507	001-4301-25	HZU4.7B1	R121	119-0000-05	1/10W 0 ohm JW	R536	119-2221-15	1/10W 2.2k ohm
D508	001-0466-90	S5688B	R122	119-3321-15	1/10W 3.3k ohm	R537	119-1031-15	1/10W 10k ohm
D509	001-0504-36	HZS7A1L	R123	119-4721-15	1/10W 4.7k ohm	R538	119-1031-15	1/10W 10k ohm
D701	001-0424-31	MA4180	R124	119-2221-15	1/10W 2.2k ohm	R539	119-1031-15	1/10W 10k ohm
D702	001-0424-31	MA4180	R125	119-1021-15	1/10W 1k ohm	R540	119-4731-15	1/10W 47k ohm
D703	001-0424-31	MA4180	R127	119-5631-15	1/10W 56k ohm	R541	119-5621-15	1/10W 5.6k ohm
D711	001-0466-90	S5688B	R128	119-4731-15	1/10W 47k ohm	R542	119-2231-15	1/10W 22k ohm
D712	001-0466-90	S5688B	R130	119-2221-15	1/10W 2.2k ohm	R544	119-4731-15	1/10W 47k ohm
D731	001-0466-90	S5688B	R131	119-1031-15	1/10W 10k ohm	R545	119-6831-15	1/10W 68k ohm
D761	001-0504-39	HZS7 B2L	R132	119-1031-15	1/10W 10k ohm	R546	119-1021-15	1/10W 1k ohm
D771	001-0347-43	MA4082L	R133	119-2221-15	1/10W 2.2k ohm	R547	119-1021-15	1/10W 1k ohm
D772	001-0347-25	MA4047L	R134	119-2221-15	1/10W 2.2k ohm	R548	119-1031-15	1/10W 10k ohm
D801	001-0592-00	RM4Z	R135	119-1031-15	1/10W 10k ohm	R549	119-3341-15	1/10W 330k ohm
D851	001-4301-68	HZU18B1	R271	119-4731-15	1/10W 47k ohm	R550	032-0140-22	1/10W 68k ohm F
IC121	051-6201-90	LC72146M	R274	119-0000-05	1/10W 0 ohm JW	R551	032-0140-00	1/10W 56k ohm F
IC271	051-3333-00	NJM2396F05	R301	119-1021-15	1/10W 1k ohm	R552	117-6821-15	1/8W 6.8k ohm
IC272	051-3366-00	NJM2396F08	R302	119-1021-15	1/10W 1k ohm	R553	119-4731-15	1/10W 47k ohm
IC301	051-5042-91	CL7639V11	R305	119-1021-15	1/10W 1k ohm	R554	119-4731-15	1/10W 47k ohm
IC351	051-3034-90	NJM4558V	R306	119-1021-15	1/10W 1k ohm	R555	119-5621-15	1/10W 5.6k ohm
IC391	051-2040-00	TA8276H	R309	119-1021-15	1/10W 1k ohm	R556	119-1021-15	1/10W 1k ohm
IC501	052-3196-21	M30622MGP-E22GP	R310	119-1021-15	1/10W 1k ohm	R557	119-2231-15	1/10W 22k ohm
IC502	051-0869-58	NJM2103M	R311	119-5631-15	1/10W 56k ohm	R558	119-2231-15	1/10W 22k ohm
IC503	051-9400-29	BR93L46F-W	R312	119-5631-15	1/10W 56k ohm	R559	119-1021-15	1/10W 1k ohm
IC504	051-6600-58	HA12187FP	R313	119-5631-15	1/10W 56k ohm	R560	119-1021-15	1/10W 1k ohm
IC741	051-3369-00	NJM2388F84	R314	119-5631-15	1/10W 56k ohm	R561	119-1021-15	1/10W 1k ohm
J231	074-1237-70	20P	R319	119-1031-15	1/10W 10k ohm	R562	119-1021-15	1/10W 1k ohm
J701	074-1194-00	13P CE-NET	R320	119-1221-15	1/10W 1.2k ohm	R563	119-0000-05	1/10W 0 ohm JW
J721	074-1302-08	8P	R321	119-1031-15	1/10W 10k ohm	R564	119-1021-15	1/10W 1k ohm
J801	074-4007-20	SOCKET(20P)	R322	119-1221-15	1/10W 1.2k ohm	R566	119-1021-15	1/10W 1k ohm
L101	010-2003-04	30uH	R323	119-0000-05	1/10W 0 ohm JW	R568	119-4731-15	1/10W 47k ohm
L102	010-6009-76	22uH J	R324	119-0000-05	1/10W 0 ohm JW	R569	119-4731-15	1/10W 47k ohm
L103	010-6009-76	22uH J	R325	119-0000-05	1/10W 0 ohm JW	R572	119-4731-15	1/10W 47k ohm
L121	010-6009-76	22uH J	R326	119-0000-05	1/10W 0 ohm JW	R574	119-4731-15	1/10W 47k ohm
L231	010-6009-76	22uH J	R351	119-8211-15	1/10W 820 ohm	R701	116-1211-15	1/4W 120 ohm
L501	010-6009-76	22uH J	R352	119-1021-15	1/10W 1k ohm	R702	116-6801-15	1/4W 68 ohm
L502	010-6009-76	22uH J	R353	032-0140-50	1/10W 10k ohm F	R703	119-2231-15	1/10W 22k ohm
L801	010-8026-00	210uH	R354	032-0140-50	1/10W 10k ohm F	R704	119-2231-15	1/10W 22k ohm
P501	076-0662-74	24P	R355	032-0140-50	1/10W 10k ohm F	R711	116-2221-15	1/4W 2.2k ohm
P503	076-0717-09	9P	R356	032-0140-50	1/10W 10k ohm F	R712	117-1031-15	1/8W 10k ohm
Q121	190-1298-00	2SA1298	R357	032-0140-50	1/10W 10k ohm F	R713	116-2221-15	1/4W 2.2k ohm
Q122	190-1298-00	2SA1298	R358	032-0140-50	1/10W 10k ohm F	R714	119-1031-15	1/10W 10k ohm
Q123	190-1298-00	2SA1298	R359	032-0140-50	1/10W 10k ohm F	R715	119-3321-15	1/10W 3.3k ohm
Q391	125-2027-91	DTC114EUA	R360	032-0140-50	1/10W 10k ohm F	R726	119-1021-15	1/10W 1k ohm
Q392	192-4116-00	2SC4116	R391	119-5631-15	1/10W 56k ohm	R731	116-5621-15	1/4W 5.6k ohm
Q502	190-1736-00	2SA1736	R392	119-1221-15	1/10W 1.2k ohm	R732	116-4721-15	1/4W 4.7k ohm
Q503	192-4116-00	2SC4116	R393	119-2221-15	1/10W 2.2k ohm	R761	032-0092-56	1/8W 22k ohm F
Q504	192-4116-00	2SC4116	R394	119-2221-15	1/10W 2.2k ohm	R762	119-1541-15	1/10W 15k ohm
Q505	192-4116-00	2SC4116	R395	119-2221-15	1/10W 2.2k ohm	R763	032-0092-51	1/8W 1k ohm F
Q506	193-2118-50	2SD2118F5 R,S	R396	119-2221-15	1/10W 2.2k ohm	R764	119-1221-15	1/10W 1.2k ohm
Q701	192-4116-00	2SC4116	R397	119-1031-15	1/10W 10k ohm	R772	119-2231-15	1/10W 22k ohm
Q711	190-1736-00	2SA1736	R398	119-4731-15	1/10W 47k ohm	R773	116-1021-15	1/4W 1k ohm
Q712	192-4116-00	2SC4116	R399	119-4731-15	1/10W 47k ohm	R774	119-2231-15	1/10W 22k ohm
Q761	193-1664-00	2SD1664 P,Q,R	R400	119-1031-15	1/10W 10k ohm	R779	116-1821-15	1/4W 1.8k ohm
Q762	125-0021-91	DTA114EUA	R502	119-4721-15	1/10W 4.7k ohm	R780	117-1821-15	1/8W 1.8k ohm
Q763	125-2027-91	DTC114EUA	R504	119-4721-15	1/10W 4.7k ohm	R781	119-0000-05	1/10W 0 ohm JW
Q771	193-2118-00	2SD2118F5 Q,R,S	R510	119-4721-15	1/10W 4.7k ohm	R791	119-0000-05	1/10W 0 ohm JW
Q773	192-4116-00	2SC4116	R511	119-4721-15	1/10W 4.7k ohm	R792	116-4721-15	1/4W 4.7k ohm
Q775	192-4116-00	2SC4116	R512	119-4721-15	1/10W 4.7k ohm	R794	119-1831-15	1/10W 18k ohm
Q776	125-0021-91	DTA114EUA	R513	119-4721-15	1/10W 4.7k ohm	R795	119-4721-15	1/10W 4.7k ohm
Q777	125-2027-91	DTC114EUA	R514	119-1021-15	1/10W 1k ohm	R796	116-5611-15	1/4W 56k ohm
Q791	192-4116-00	2SC4116	R515	119-1041-15	1/10W 100k ohm	R801	119-0000-05	1/10W 0 ohm JW
Q792	192-4116-00	2SC4116	R516	119-1041-15	1/10W 100k ohm	R802	119-0000-05	1/10W 0 ohm JW
Q821	190-1736-00	2SA1736	R517	116-1001-15	1/4W 10 ohm	R821	116-1031-15	1/4W 10k ohm
Q822	192-4116-00	2SC4116	R520	119-4731-15	1/10W 47k ohm	R822	119-1031-15	1/10W 10k ohm
R101	119-0000-05	1/10W 0 ohm JW	R522	119-4731-15	1/10W 47k ohm	R823	119-1031-15	1/10W 10k ohm
R102	119-0000-05	1/10W 0 ohm JW	R527	119-4721-15	1/10W 4.7k ohm	R824	116-2221-15	1/4W 2.2k ohm
R103	119-1041-15	1/10W 100k ohm	R528	032-0140-66	1/10W 220 ohm F	R825	116-2221-15	1/4W 2.2k ohm
R104	119-2221-15	1/10W 2.2k ohm	R529	119-1031-15	1/10W 10k ohm	R905	119-0000-05	1/10W 0 ohm JW
R105	119-3911-15	1/10W 390 ohm	R530	119-1041-15	1/10W 100k ohm	SUP101	060-0122-20	DSP-141N-SOOB
R106	119-2221-15	1/10W 2.2k ohm	R531	119-1031-15	1/10W 10k ohm	TH711	002-0318-01	1206L035YRT
R107	116-1001-15	1/4W 10 ohm	R532	119-4721-15	1/10W 4.7k ohm	TM101	073-0762-90	TERMINAL
R108	119-2231-15	1/10W 22k ohm	R533	119-4721-15	1/10W 4.7k ohm	TM501	073-0762-90	TERMINAL
R109	119-5121-15	1/10W 5.1k ohm	R534	119-1021-15	1/10W 1k ohm	TM502	073-0762-90	TERMINAL
R111	166-8201-50	82pF CH	R535	119-1031-15	1/10W 10k ohm	TM801	073-0762-90	TERMINAL

REF No.	PART No.	DESCRIPTION	REF No.	PART No.	DESCRIPTION	REF No.	PART No.	DESCRIPTION
TM802	073-0762-90	TERMINAL	X501	060-1533-90	CSTCE10M0G52-RO	PWB	039-2765-02	PWB(WITHOUT COMPONENT)
X121	061-1066-00	702MHz						

### CD PWB(B3) section

REF No.	PART No.	DESCRIPTION	REF No.	PART No.	DESCRIPTION	REF No.	PART No.	DESCRIPTION
C1	168-1042-78	16V 0.1uF	C134	168-1042-78	16V 0.1uF	R7	033-4731-15	1/10W 47k ohm
C4	168-1042-78	16V 0.1uF	C135	045-6801-50	50V 68pF	R8	033-1051-15	1/10W 1M ohm
C5	046-1032-78	0.01uF	C136	178-1052-78	1uF	R9	033-3311-15	1/10W 330 ohm
C9	046-4722-58	4700pF	C138	168-1042-78	16V 0.1uF	R12	033-4731-15	1/10W 47k ohm
C10	045-1011-50	100pF	C139	168-1042-78	16V 0.1uF	R13	033-1041-15	1/10W 100k ohm
C13	168-1042-78	16V 0.1uF	C140	046-6812-58	680pF	R14	033-4721-15	1/10W 4.7k ohm
C16	168-1042-78	16V 0.1uF	C142	178-1052-78	1uF	R15	033-4721-15	1/10W 4.7k ohm
C17	046-1032-78	0.01uF	C144	042-0560-85	6.3V 100uF	R16	033-1021-15	1/10W 1k ohm
C18	178-1052-78	1uF	C145	168-1042-78	16V 0.1uF	R17	033-1021-15	1/10W 1k ohm
C19	046-1032-78	0.01uF	C146	168-1042-78	16V 0.1uF	R19	033-4731-15	1/10W 47k ohm
C20	168-1042-78	16V 0.1uF	C147	178-1052-78	1uF	R20	033-4731-15	1/10W 47k ohm
C21	042-0595-53	4V220uF	C148	042-0595-53	4V220uF	R23	033-2211-15	1/10W 220 ohm
C22	168-1042-78	16V 0.1uF	C149	163-1073-35	16V100uF	R24	033-4731-15	1/10W 47k ohm
C23	168-1042-78	16V 0.1uF	C150	168-1042-78	16V 0.1uF	R28	033-6841-15	1/10W 680k ohm
C24	046-1032-78	0.01uF	C151	178-1052-78	1uF	R29	033-6841-15	1/10W 680k ohm
C25	045-8097-50	8pF	C200	178-1052-78	1uF	R30	033-1041-15	1/10W 100k ohm
C26	045-8097-50	8pF	CCT1	050-0145-54	1/16W 47k ohm x4	R31	033-1031-15	1/10W 10k ohm
C27	042-0416-52	10V10uF TAN	CCT2	050-0145-58	2.2k ohm x 4	R32	033-1031-15	1/10W 10k ohm
C28	046-1032-78	0.01uF	CCT3	050-0140-63	1/32W 47k ohm x4J	R33	033-1031-15	1/10W 10k ohm
C29	168-1042-78	16V 0.1uF	CCT101	050-0140-68	1/32W 3.3k ohm x4J	R34	033-6831-15	1/10W 68k ohm
C30	045-1201-50	12pF	D1	001-2610-90	RB480KTL	R35	033-6831-15	1/10W 68k ohm
C31	168-1042-78	16V 0.1uF	D2	001-2610-90	RB480KTL	R36	033-3311-15	1/10W 330 ohm
C32	046-1032-78	0.01uF	D3	001-2610-90	RB480KTL	R43	033-4731-15	1/10W 47k ohm
C33	046-1032-78	0.01uF	D4	001-2610-90	RB480KTL	R44	033-4731-15	1/10W 47k ohm
C34	046-1032-78	0.01uF	D5	001-2610-90	RB480KTL	R45	033-4731-15	1/10W 47k ohm
C35	046-1022-58	1000pF	D6	001-2610-90	RB480KTL	R101	033-1231-15	1/10W 12k ohm
C102	163-1073-35	16V100uF	D101	001-0367-91	1S5226	R102	033-3321-15	1/10W 3.3k ohm
C103	046-4722-58	4700pF	IC1	051-7518-18	SN74LVC139APWR	R103	033-3331-15	1/10W 33k ohm
C104	046-1032-78	0.01uF	IC2	051-3315-90	TPS76316DBVR	R104	033-4731-15	1/10W 47k ohm
C105	168-1042-78	16V 0.1uF	IC3	051-7239-38	SN74AHCT08PWR	R105	033-4731-15	1/10W 47k ohm
C106	168-1042-78	16V 0.1uF	IC5	051-5441-08	BD4828G-TR	R106	033-2211-15	1/10W 220 ohm
C107	042-0416-52	10V10uF TAN	IC6	051-6700-00	TMS320DA140	R107	033-2211-15	1/10W 220 ohm
C108	168-1042-78	16V 0.1uF	IC10	052-5055-34	MBM29DL800BA-90PFTN	R108	033-1021-15	1/10W 1k ohm
C109	168-1042-78	16V 0.1uF	IC11	051-6919-08	NJU6391PE	R109	033-1021-15	1/10W 1k ohm
C110	168-1042-78	16V 0.1uF	IC12	051-7221-58	SN74AHC1G04HDC	R110	033-4731-15	1/10W 47k ohm
C111	168-1042-78	16V 0.1uF				R115	033-0000-05	1/10W 0 ohm
C112	168-4732-78	0.047uF				R116	033-5621-15	1/10W 5.6k ohm
C113	168-4732-78	0.047uF	IC13	051-7280-38	TC7SU04FU-TE85L	R117	033-4731-15	1/10W 47k ohm
C114	168-1042-78	16V 0.1uF	IC14	051-7280-38	TC7SU04FU-TE85L	R118	033-3341-15	1/10W 330k ohm
C115	045-4701-50	47pF	IC101	051-6069-08	FAN8047G3	R119	033-2231-15	1/10W 22k ohm
C116	046-4712-58	470pF	IC102	051-6399-00	TC94A15F	R120	033-2231-15	1/10W 22k ohm
C117	046-4712-58	470pF	J1	074-1138-65	15P	R121	117-1001-15	1/10W 10 ohm
C118	168-1042-78	16V 0.1uF	J2	074-1138-60	10P	R122	033-2211-15	1/10W 220 ohm
C119	168-1042-78	16V 0.1uF	J3	074-1237-70	20P	R123	117-6811-15	1/10W 680 ohm
C120	046-1532-78	0.015uF	Q1	131-1188-50	2SB1188PQR	R124	032-0162-50	1/10W 0.51 ohm
C121	046-6822-58	6800pF	Q2	125-2004-92	RN1402	R126	033-1021-15	1/10W 1k ohm
C122	168-1042-78	16V 0.1uF	Q101	131-1188-50	2SB1188PQR	R127	033-1021-15	1/10W 1k ohm
C123	046-1032-78	0.01uF	Q102	131-1188-50	2SB1188PQR	R130	033-1051-15	1/10W 1M ohm
C126	046-3332-78	0.033uF	R1	033-4721-15	1/10W 4.7k ohm	TM101	073-0768-90	TERMINAL
C127	046-4722-58	4700pF	R2	033-1041-15	1/10W 100k ohm	X1	061-3534-90	16.92MHz
C130	168-1042-78	16V 0.1uF	R3	033-1041-15	1/10W 100k ohm	PWB	039-2429-21	PWB(WITHOUT COMPONENTS)
C131	046-1522-58	1500pF	R4	033-1031-15	1/10W 10k ohm			
C132	168-1042-78	16V 0.1uF	R5	033-2231-15	1/10W 22k ohm			
C133	046-1532-78	0.015uF	R6	033-3911-15	1/10W 390 ohm			

### Sensor PWB(B4) section

REF No.	PART No.	DESCRIPTION	REF No.	PART No.	DESCRIPTION	REF No.	PART No.	DESCRIPTION
D11	001-7058-90	AN1105W-RR	Q11	060-4015-90	PS1192H	S2	013-7413-50	LIMIT
D12	001-7058-90	AN1105W-RR	Q12	060-4015-90	PS1192H	PWB	039-2675-00	PWB(WITHOUT COMPONENTS)
J4	074-1138-60	10P	S1	013-7414-50	CHUCKING			