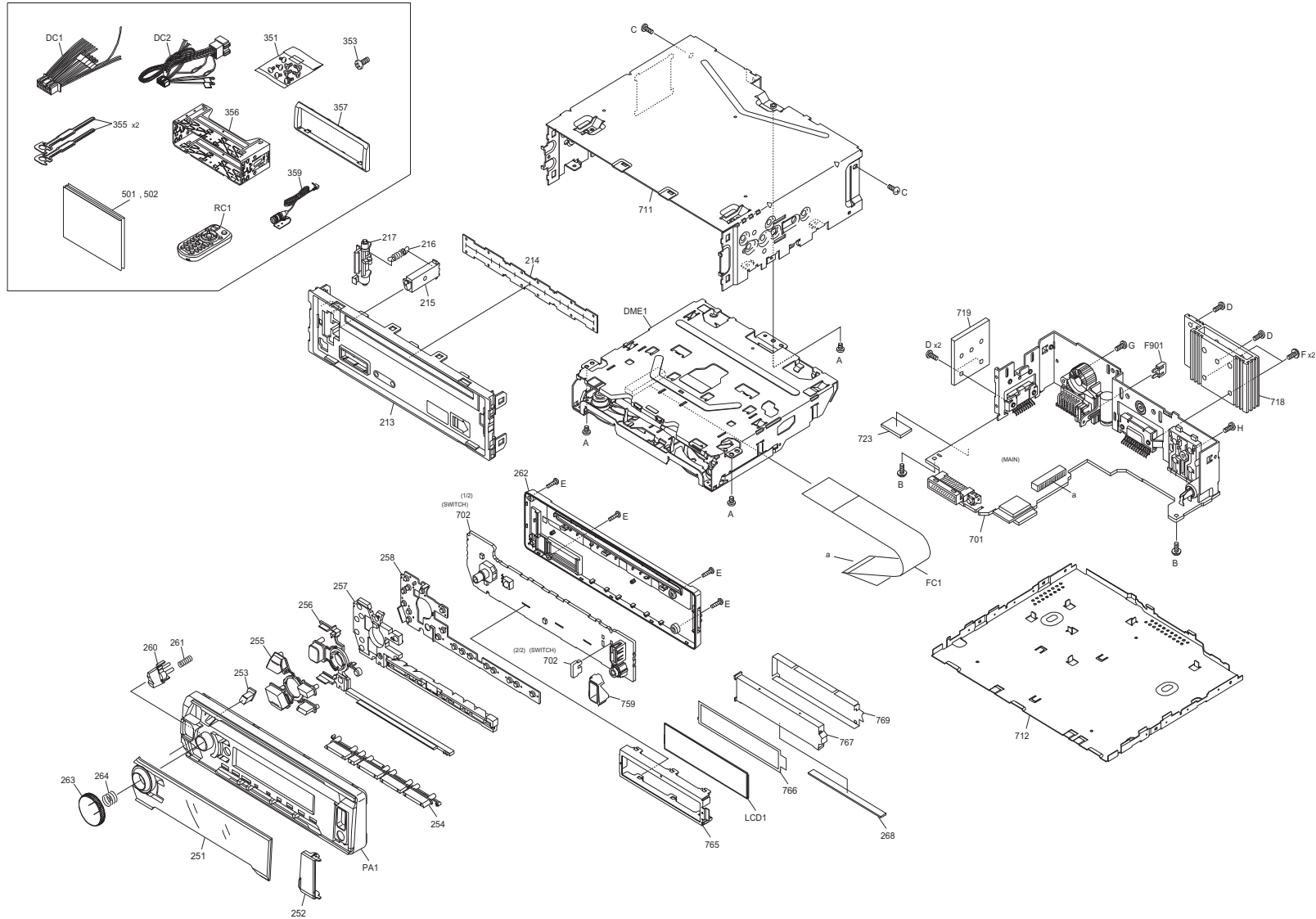


EXPLODED VIEW (UNIT)

Block No.M1MM



Parts with the exploded numbers larger than 700 are not supplied.

created date:2015-11-26

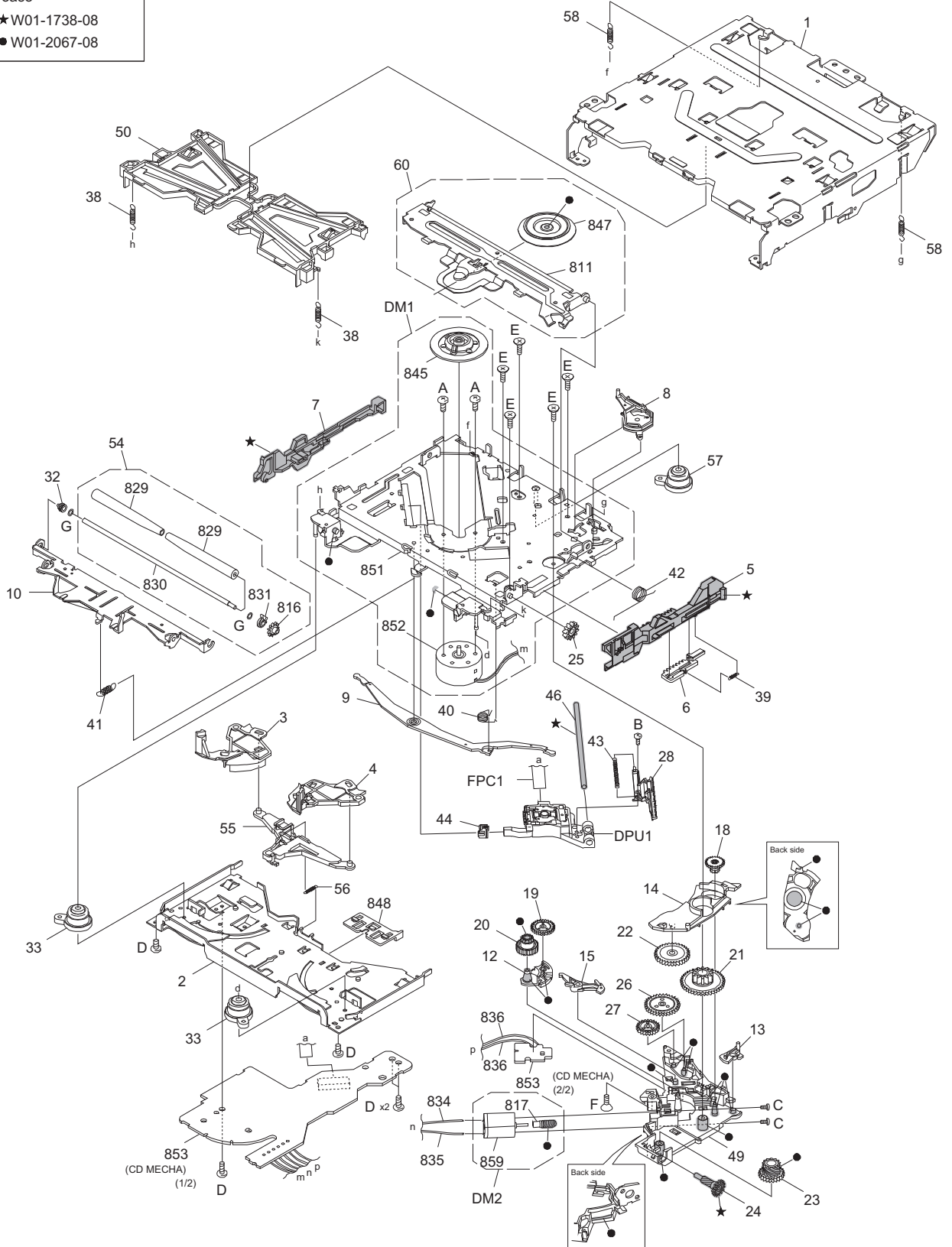
| MODEL | MARK | MODEL | MARK | MODEL | MARK | MODEL | MARK |
|------------|------|------------|------|------------|------|-------------|------|
| KDC-BT265U | K0 | KDC-BT500U | M3 | KDC-BT500U | E2 | KDC-MP365BT | K4 |

| Safe | Symbol No. | Parts No. | Parts Name | Description | QTY | Local |
|--|------------|----------------|-----------------|---------------------|-----|----------|
| EXPLODED VIEW (UNIT) <M1MM> | | | | | | |
| △ | DC1 | QAM1623-002 | DC CORD | | 1 | K0,M3,K4 |
| △ | DC2 | QAM1333-001 | DC CORD | | 1 | E2 |
| | DME1 | XJJ-0410-00 | CD MECHANISM | | 1 | |
| △ | F901 | FZB10BT-100 | BLADE FUSE | | 1 | |
| | FC1 | WJT0307-001A-E | E-CARD WIRE | | 1 | |
| | LCD1 | B3H-0034-00 | LCD | | 1 | |
| | PA1 | A6D-0052-00 | PANEL | | 1 | K0,K4 |
| | PA1 | A6D-0052-01 | PANEL | | 1 | M3,E2 |
| | RC1 | QAL1303-004 | REMOCON | | 1 | K4 |
| | A | QYSDST2604ZA | TAP SCREW | M2.6 x 4mm | 3 | |
| | B | GE40377-002A | SPECIAL SCREW | | 2 | |
| | C | QYSDST2606ZA | TAP SCREW | M2.6 x 6mm | 2 | |
| | D | QYSDST2610ZA | TAP SCREW | M2.6 x 10mm | 4 | |
| | E | QYSDSF2008ZA | TAP SCREW | M2 x 8mm | 4 | |
| | F | GE40377-005A | SPECIAL SCREW | | 2 | |
| | G | QYSPSG3008ZA | TAP SCREW | M3 x 8mm | 1 | |
| | H | QYSDSF2608ZA | TAP SCREW | M2.6 x 8mm | 1 | |
| | 213 | A2C-0021-02 | SUB PANEL | | 1 | |
| | 214 | F1K-0035-00 | BLIND PLATE | | 1 | |
| | 215 | D1A-0023-00 | LEVER | | 1 | |
| | 216 | G0A-0027-00 | EXTEN.SPRING | | 1 | |
| | 217 | D1A-0022-00 | LEVER | | 1 | |
| | 251 | B1A-0032-08 | FRONT GLASS | | 1 | K0 |
| | 251 | B1A-0032-0N | FRONT GLASS | | 1 | M3,E2 |
| | 251 | B1A-0032-0A | FRONT GLASS | | 1 | K4 |
| | 252 | F0G-0096-00 | COVER | | 1 | |
| | 253 | K2F-0028-00 | PUSH KNOB | | 1 | |
| | 254 | K2F-0030-00 | PUSH KNOB | | 1 | |
| | 255 | K2F-0029-00 | PUSH KNOB | | 1 | |
| | 256 | B1B-0041-03 | LENS | | 1 | |
| | 257 | B1K-0035-00 | LIGHTING BOARD | | 1 | |
| | 258 | E2K-0024-00 | CONDUCT RUBBER | | 1 | |
| | 260 | K2K-0162-00 | KNOB | | 1 | |
| | 261 | GE30999-013A | COMP.SPRING | | 1 | |
| | 262 | A4G-0023-00 | REAR COVER | | 1 | |
| | 263 | K2K-0101-00 | KNOB | | 1 | K0 |
| | 263 | K2K-0165-00 | KNOB BASE | | 1 | M3,E2,K4 |
| | 264 | GE40127-005A | KNOB SPRING | | 1 | |
| | 268 | QNZ1117-001 | RUBBER CONNE | | 1 | |
| | 351 | GE40531-001A | SCREW SET | | 1 | K4 |
| | 353 | QYSPSF2008ZA | TAP SCREW | M2 x 8mm | 1 | K0,M3,K4 |
| | 355 | GE40685-001A | HOOK | | 2 | |
| | 356 | GE20362-002A | MOUNTING SLEEVE | | 1 | |
| | 357 | B0H-0014-00 | ESCUTCHEON | | 1 | K0,K4 |
| | 357 | B0H-0013-00 | ESCUTCHEON | | 1 | M3,E2 |
| | 359 | QAN0126-001 | MICROPHONE | | 1 | |
| | 501 | B5A-0878-10 | INST.MANUAL | ENG FRE SPA | 1 | K0,K4 |
| | 501 | B5A-0881-00 | INST.MANUAL | ENG ARA | 1 | M3 |
| | 501 | B5A-0880-00 | INST.MANUAL | ENG GER RUS | 1 | E2 |
| | 502 | B5A-0880-01 | INST.MANUAL | FRE SPA ITA POR DUT | 1 | E2 |
| | 701 | ----- | MAIN PWB ASSY | NO SERVICE PART | 1 | K0 |
| | 701 | ----- | MAIN PWB ASSY | NO SERVICE PART | 1 | M3 |
| | 701 | ----- | MAIN PWB ASSY | NO SERVICE PART | 1 | E2 |
| | 701 | ----- | MAIN PWB ASSY | NO SERVICE PART | 1 | K4 |
| | 702 | ----- | SWITCH PWB ASSY | NO SERVICE PART | 1 | K0 |
| | 702 | ----- | SWITCH PWB ASSY | NO SERVICE PART | 1 | M3,E2 |
| | 702 | ----- | SWITCH PWB ASSY | NO SERVICE PART | 1 | K4 |
| | 711 | ----- | TOP COVER | NO SERVICE PART | 1 | K0,M3,K4 |
| | 711 | ----- | TOP COVER | NO SERVICE PART | 1 | E2 |
| | 712 | ----- | BOTTOM PLATE | NO SERVICE PART | 1 | |
| | 718 | ----- | HEAT SINK | NO SERVICE PART | 1 | |
| | 719 | ----- | REG HEAT SINK | NO SERVICE PART | 1 | |
| | 723 | ----- | COOL SHEET | NO SERVICE PART | 1 | |
| | 759 | ----- | LIGHTING BOARD | NO SERVICE PART | 1 | K0,K4 |
| | 765 | ----- | LCD CASE | NO SERVICE PART | 1 | |
| | 766 | ----- | OPTI.DIFFUSER | NO SERVICE PART | 1 | |
| | 767 | ----- | LIGHTING BOARD | NO SERVICE PART | 1 | |
| | 769 | ----- | REF.SHEET | NO SERVICE PART | 1 | |

EXPLODED VIEW (CD MECHANISM: XJJ-0410-00)

Block No.MBMM

Grease
 ★W01-1738-08
 ●W01-2067-08



Parts with the exploded numbers larger than 800 are not supplied.

| MODEL | MARK | MODEL | MARK | MODEL | MARK | MODEL | MARK |
|------------|------|------------|------|------------|------|-------------|------|
| KDC-BT265U | K0 | KDC-BT500U | M3 | KDC-BT500U | E2 | KDC-MP365BT | K4 |

| Safe | Symbol No. | Parts No. | Parts Name | Description | QTY | Local |
|---|------------|---------------|--------------------|-----------------|-----|-------|
| EXPLODED VIEW (CD MECHANISM: XJJ-0410-00) <MBMM> | | | | | | |
| | DM1 | CM-FC2-MD | MD CHASSIS ASSY | | 1 | |
| | DM2 | CM-FC2-M | LOADING MOTOR ASSY | | 1 | |
| | DPU1 | T2F-0002-00 | CD OPT PICKUP | | 1 | |
| | FPC1 | QAL1465-001 | FPC | | 1 | |
| | A | LV45568-001A | MINI SCREW | | 2 | |
| | B | QYSPSGT1745ZA | TAP SCREW | M1.7 x 4.5mm | 1 | |
| | C | QYSPSPT2025MA | SCREW | M2 x 2.5mm | 2 | |
| | D | VKZ4539-054 | MINI SCREW | | 5 | |
| | E | LV45818-001A | G.HOLDER SCREW | | 5 | |
| | F | LV45815-001A | M. SHAFT SCREW | | 1 | |
| | G | LV45816-001A | ROLLER WASHER | | 2 | |
| | 1 | LV11877-003A | OUTER CHASSIS | | 1 | |
| | 2 | LV11878-004A | LOWER CHASSIS | | 1 | |
| | 3 | LV3A174-002A | DISC ARM L | | 1 | |
| | 4 | LV3A175-001A | DISC ARM R | | 1 | |
| | 5 | LV23057-001A | SLIDER R | | 1 | |
| | 6 | LV3A178-001A | TRIGGER SLIDER | | 1 | |
| | 7 | LV23058-001A | SLIDER L | | 1 | |
| | 8 | LV3A179-002A | TRIGGER ARM | | 1 | |
| | 9 | LV3A173-001A | JOINT LEVER | | 1 | |
| | 10 | LV23055-003A | ROLLER LEVER | | 1 | |
| | 12 | LV3A181-002A | TRANSFER ARM | | 1 | |
| | 13 | LV45797-002A | SL LOCK CAM | | 1 | |
| | 14 | LV3A182-003A | SL LOCK ARM | | 1 | |
| | 15 | LV3A183-001A | PICK LOCK ARM | | 1 | |
| | 18 | LV3A187-002A | HELICAL GEAR 1 | | 1 | |
| | 19 | LV3A188-001A | TRANSFER GEAR | | 1 | |
| | 20 | LV3A189-001A | LOAD GEAR H | | 1 | |
| | 21 | LV3A190-001A | DRIVE GEAR | | 1 | |
| | 22 | LV3A191-001A | JOINT GEAR | | 1 | |
| | 23 | LV3A192-001A | WORM GEAR 2 | | 1 | |
| | 24 | LV3A193-001A | HELICAL GEAR 2 | | 1 | |
| | 25 | LV3A194-001A | LOAD GEAR V | | 1 | |
| | 26 | LV3A195-001A | PICK GEAR 1 | | 1 | |
| | 27 | LV3A196-001A | PICK GEAR 2 | | 1 | |
| | 28 | LV3A197-001A | RACK GEAR | | 1 | |
| | 32 | LV45796-001A | R.RETAINER L | | 1 | |
| | 33 | D39-0403-05 | DAMPER | | 2 | |
| | 38 | LV45809-001A | FLOAT SPRING(F) | | 2 | |
| | 39 | LV45810-001A | TRIGGER SPRING | | 1 | |
| | 40 | LV45811-001A | LOAD SPRING | | 1 | |
| | 41 | LV45812-001A | ROLLER SPRING | | 1 | |
| | 42 | LV45813-002A | CLAMP SPRING | | 1 | |
| | 43 | LV45814-001A | PICK SPRING | | 1 | |
| | 44 | LV36813-201A | SUB GUIDE CAP | | 1 | |
| | 46 | D2B-0037-00 | SHAFT | | 1 | |
| | 49 | LV11881-002A | GEAR HOLDER | | 1 | |
| | 50 | LV11880-003A | DISC GUIDE | | 1 | |
| | 54 | CM-FC2-R | ROLLER ASSY | | 1 | |
| | 55 | D10-7176-03 | ARM | | 1 | |
| | 56 | G01-4809-04 | EXTEN.SPRING | | 1 | |
| | 57 | D39-0404-05 | DAMPER | | 1 | |
| | 58 | LV45835-001A | FLOAT SPRING(R) | | 2 | |
| | 60 | LV3A271-001A | CL BASE ASSY | | 1 | |
| | 811 | ----- | CLAMP ARM | NO SERVICE PART | 1 | |
| | 816 | ----- | ROLLER GEAR | NO SERVICE PART | 1 | |
| | 817 | ----- | WORM GEAR 1 | NO SERVICE PART | 1 | |
| | 829 | ----- | ROLLER | NO SERVICE PART | 2 | |
| | 830 | ----- | ROLLER SHAFT | NO SERVICE PART | 1 | |
| | 831 | ----- | R.RETAINER R | NO SERVICE PART | 1 | |
| | 834 | ----- | SIN TWIST WIRE | NO SERVICE PART | 1 | |
| | 835 | ----- | SIN TWIST WIRE | NO SERVICE PART | 1 | |
| | 836 | ----- | SIN TWIST WIRE | NO SERVICE PART | 2 | |
| | 845 | ----- | HC TURN TABLE | NO SERVICE PART | 1 | |
| | 847 | ----- | CLAMPER | NO SERVICE PART | 1 | |
| | 848 | ----- | WIRE HOLDER | NO SERVICE PART | 1 | |
| | 851 | ----- | MD CHASSIS ASSY | NO SERVICE PART | 1 | |
| | 852 | ----- | SPINDLE MOTOR | NO SERVICE PART | 1 | |
| | 853 | ----- | CD MECHA PWB ASSY | NO SERVICE PART | 1 | |
| | 859 | ----- | MOTOR | NO SERVICE PART | 1 | |

| MODEL | MARK | MODEL | MARK | MODEL | MARK | MODEL | MARK |
|------------|------|------------|------|------------|------|-------------|------|
| KDC-BT265U | K0 | KDC-BT500U | M3 | KDC-BT500U | E2 | KDC-MP365BT | K4 |

| Safe | Symbol No. | Parts No. | Parts Name | Description | QTY | Local |
|---|------------|----------------|-----------------|-------------|-----|-------|
| MAIN PWB ASSY (XJ1-122x-xx) <01> | | | | | | |
| | IC102 | NJM8065V | ANALOG IC | | 1 | |
| | IC161 | NJM8065V | ANALOG IC | | 1 | |
| | IC162 | NJM8065V | ANALOG IC | | 1 | |
| | IC163 | NJM8065V | ANALOG IC | | 1 | |
| | IC164 | NJM11100F1 | ANALOG IC | | 1 | |
| | IC220 | NJM8065V | ANALOG IC | | 1 | |
| △ | IC301 | JCV8034 | IC | | 1 | |
| | IC411 | MFI337S395901 | MCU IC | | 1 | |
| | IC540 | BD2242G-G | MOS IC | | 1 | |
| △ | IC601 | TEF6657HN-X | IC | | 1 | |
| △ | IC701 | STA1080 | MPU IC | | 1 | |
| | IC702 | TC7SH08FU-X | IC(DIGITAL) | | 1 | |
| △ | IC821 | W3F-0140-00 | ROM IC | | 1 | |
| △ | IC822 | W25Q16DVSSIG | ROM IC | | 1 | |
| | IC831 | BU4228F-W | IC | | 1 | |
| | IC841 | BR24T02FJ-W-X | IC | | 1 | |
| | IC851 | BD00IA5WEFJ | ANALOG IC | | 1 | |
| | IC862 | MP9943AGQ | ANALOG IC | | 1 | |
| △ | IC901 | LV5685PV-H | ANALOG IC | | 1 | |
| | IC930 | BD33IC0WEFJ | ANALOG IC | | 1 | |
| | IC941 | BU33TD3WG-W | IC | | 1 | |
| | IC1303 | W0C-0167-00 | CIRCUIT MODULE | | 1 | |
| | Q220 | 2SC1623/5-6/-X | TRANSISTOR | | 1 | |
| | Q240 | IMX9 | DUAL TRANSISTOR | | 1 | |
| | Q270 | LTA024EEB-X | DIGI TRANSISTOR | | 1 | |
| | Q271 | LSAR523UBFS8 | TRANSISTOR | | 1 | |
| | Q272 | LTC024EEB-X | DIGI TRANSISTOR | | 1 | |
| | Q273 | LTA024EEB-X | DIGI TRANSISTOR | | 1 | |
| | Q370 | IMX9 | DUAL TRANSISTOR | | 1 | K0,K4 |
| | Q380 | IMX9 | DUAL TRANSISTOR | | 1 | K0,K4 |
| | Q880 | LTC043EUBFS8 | DIGI TRANSISTOR | | 1 | |
| | Q920 | LTA014YEBFS8 | DIGI TRANSISTOR | | 1 | |
| | Q2001 | LTA043EEBFS8 | DIGI TRANSISTOR | | 1 | |
| | Q2002 | LTC043TEB-X | DIGI TRANSISTOR | | 1 | |
| | Q2010 | LTC043TEB-X | DIGI TRANSISTOR | | 1 | |
| | Q2011 | LTC043TEB-X | DIGI TRANSISTOR | | 1 | |
| | Q2020 | LTC043TEB-X | DIGI TRANSISTOR | | 1 | |
| | Q2021 | LTC043TEB-X | DIGI TRANSISTOR | | 1 | |
| | Q2030 | LTC043TEB-X | DIGI TRANSISTOR | | 1 | |
| | Q2031 | LTC043TEB-X | DIGI TRANSISTOR | | 1 | |
| | D100 | DZ2J075M | ZENER DIODE | | 1 | |
| | D101 | DZ2J075M | ZENER DIODE | | 1 | |
| | D222 | DZ2J056M | ZENER DIODE | | 1 | |
| | D271 | BAW56-TP-X | SI DIODE | | 1 | |
| | D273 | DA2J101 | DIODE | | 1 | |
| | D370 | BAW56-TP-X | SI DIODE | | 1 | |
| | D390 | MBRX130 | SCHOTTKY DIODE | | 1 | |
| | D391 | MBR0530-X | SB DIODE | | 1 | |
| | D400 | RB521SM-30-X | SB DIODE | | 1 | |
| | D401 | DZ2J051M | ZENER DIODE | | 1 | |
| | D471 | RSB6.8SM-X | BP Z DIODE | | 1 | |
| | D473 | RSB6.8SM-X | BP Z DIODE | | 1 | |
| | D701 | DZ2J051M | ZENER DIODE | | 1 | |
| | D702 | DZ2J051M | ZENER DIODE | | 1 | |
| | D704 | DZ2J051M | ZENER DIODE | | 1 | |
| | D706 | DZ2J051M | ZENER DIODE | | 1 | |
| | D707 | DZ2J051M | ZENER DIODE | | 1 | |
| | D709 | DZ2J051M | ZENER DIODE | | 1 | |
| | D710 | DZ2J051M | ZENER DIODE | | 1 | |
| | D711 | DZ2J051M | ZENER DIODE | | 1 | |
| | D862 | DB22306 | SCHOTTKY DIODE | | 1 | |
| | D902 | SK34A-L-X | SB DIODE | | 1 | |
| | D903 | SK34A-L-X | SB DIODE | | 1 | |
| | D930 | GS1J-LTP-X | SI DIODE | | 1 | |
| △ | D990 | 1N5401-BPC04 | SI DIODE | | 1 | |
| | D2005 | DA2J101 | DIODE | | 1 | |
| | D2006 | DA2J101 | DIODE | | 1 | |
| | D2008 | DA2J101 | DIODE | | 1 | |
| | D2009 | DA2J101 | DIODE | | 1 | |
| | C103 | CK73FXR1C475K | C CAPACITOR | 4.7uF 16V K | 1 | |
| | C104 | CK73FXR1C106K | C CAPACITOR | 10uF 16V K | 1 | |
| | C105 | CK73FXR1C475K | C CAPACITOR | 4.7uF 16V K | 1 | |
| | C106 | CK73GXR1A105K | C CAPACITOR | 1uF 10V K | 1 | |
| | C120 | CC73HCH1H180J | C CAPACITOR | 18pF 50V J | 1 | |
| | C121 | CC73HCH1H180J | C CAPACITOR | 18pF 50V J | 1 | |
| | C122 | CK73FXR1C475K | C CAPACITOR | 4.7uF 16V K | 1 | |
| | C123 | CK73FXR1C475K | C CAPACITOR | 4.7uF 16V K | 1 | |
| | C124 | CC73HCH1H050C | C CAPACITOR | 5pF 50V C | 1 | |
| | C125 | CC73HCH1H050C | C CAPACITOR | 5pF 50V C | 1 | |
| | C126 | CK73FXR1C106K | C CAPACITOR | 10uF 16V K | 1 | |
| | C127 | CK73FXR1C106K | C CAPACITOR | 10uF 16V K | 1 | |
| | C146 | CC73HCH1H271J | C CAPACITOR | 270pF 50V J | 1 | |
| | C160 | CK73FXR1C475K | C CAPACITOR | 4.7uF 16V K | 1 | |
| | C161 | CK73FXR1C475K | C CAPACITOR | 4.7uF 16V K | 1 | |
| | C162 | CC73HCH1H470J | C CAPACITOR | 47pF 50V J | 1 | |
| | C163 | CC73HCH1H271J | C CAPACITOR | 270pF 50V J | 1 | |
| | C164 | CC73HCH1H470J | C CAPACITOR | 47pF 50V J | 1 | |
| | C165 | CK73FXR1C475K | C CAPACITOR | 4.7uF 16V K | 1 | |
| | C166 | CC73HCH1H470J | C CAPACITOR | 47pF 50V J | 1 | |
| | C167 | CK73FXR1C106K | C CAPACITOR | 10uF 16V K | 1 | |
| | C169 | CK73FXR1C475K | C CAPACITOR | 4.7uF 16V K | 1 | |

| | | | | | | | |
|------------|------|------------|------|------------|------|-------------|------|
| MODEL | MARK | MODEL | MARK | MODEL | MARK | MODEL | MARK |
| KDC-BT265U | K0 | KDC-BT500U | M3 | KDC-BT500U | E2 | KDC-MP365BT | K4 |

| Safe | Symbol No. | Parts No. | Parts Name | Description | QTY | Local |
|------|------------|---------------|-------------|---------------|-----|-------|
| | C170 | CC73HCH1H470J | C CAPACITOR | 47pF 50V J | 1 | |
| | C171 | CK73FXR1C475K | C CAPACITOR | 4.7uF 16V K | 1 | |
| | C172 | CC73HCH1H470J | C CAPACITOR | 47pF 50V J | 1 | |
| | C173 | CK73FXR1C475K | C CAPACITOR | 4.7uF 16V K | 1 | |
| | C174 | CC73HCH1H271J | C CAPACITOR | 270pF 50V J | 1 | |
| | C175 | CC73HCH1H470J | C CAPACITOR | 47pF 50V J | 1 | |
| | C176 | CC73HCH1H470J | C CAPACITOR | 47pF 50V J | 1 | |
| | C177 | CK73FXR1C106K | C CAPACITOR | 10uF 16V K | 1 | |
| | C179 | CK73FXR1C475K | C CAPACITOR | 4.7uF 16V K | 1 | |
| | C180 | CK73FXR1C475K | C CAPACITOR | 4.7uF 16V K | 1 | |
| | C181 | CK73FXR1C475K | C CAPACITOR | 4.7uF 16V K | 1 | |
| | C182 | CC73HCH1H470J | C CAPACITOR | 47pF 50V J | 1 | |
| | C183 | CC73HCH1H271J | C CAPACITOR | 270pF 50V J | 1 | |
| | C184 | CC73HCH1H470J | C CAPACITOR | 47pF 50V J | 1 | |
| | C185 | CK73FXR1C475K | C CAPACITOR | 4.7uF 16V K | 1 | |
| | C186 | CC73HCH1H470J | C CAPACITOR | 47pF 50V J | 1 | |
| | C187 | CK73FXR1C106K | C CAPACITOR | 10uF 16V K | 1 | |
| | C189 | CK73FXR1C475K | C CAPACITOR | 4.7uF 16V K | 1 | |
| | C190 | CC73HCH1H271J | C CAPACITOR | 270pF 50V J | 1 | |
| | C191 | CK73FXR0J106K | C CAPACITOR | 10uF 6.3V K | 1 | |
| | C192 | CK73FXR0J106K | C CAPACITOR | 10uF 6.3V K | 1 | |
| | C193 | CK73HBB1C103K | C CAPACITOR | 0.01uF 16V K | 1 | |
| | C194 | CK73FXR1C106K | C CAPACITOR | 10uF 16V K | 1 | |
| | C195 | CC73HCH1H470J | C CAPACITOR | 47pF 50V J | 1 | |
| | C196 | CC73HCH1H470J | C CAPACITOR | 47pF 50V J | 1 | |
| | C197 | CK73FXR1C475K | C CAPACITOR | 4.7uF 16V K | 1 | |
| | C198 | CC73HCH1H271J | C CAPACITOR | 270pF 50V J | 1 | |
| | C222 | CK73GBB1H333K | C CAPACITOR | 0.033uF 50V K | 1 | |
| | C223 | CK73GBB1H333K | C CAPACITOR | 0.033uF 50V K | 1 | |
| | C224 | CK73HXR1A105K | C CAPACITOR | 1uF 10V K | 1 | |
| | C225 | CK73HXR1A105K | C CAPACITOR | 1uF 10V K | 1 | |
| | C226 | CC73HCH1H220J | C CAPACITOR | 22pF 50V J | 1 | |
| | C227 | CK73HBB1H471K | C CAPACITOR | 470pF 50V K | 1 | |
| | C228 | CK73HXR1A105K | C CAPACITOR | 1uF 10V K | 1 | |
| | C229 | CK73HXR1A105K | C CAPACITOR | 1uF 10V K | 1 | |
| | C230 | CK73HXR1A105K | C CAPACITOR | 1uF 10V K | 1 | |
| | C231 | CK73HBB1H471K | C CAPACITOR | 470pF 50V K | 1 | |
| | C234 | CK73GXR1C105K | C CAPACITOR | 1uF 16V K | 1 | |
| | C235 | CK73GXR1C105K | C CAPACITOR | 1uF 16V K | 1 | |
| | C236 | CK73HBB1A104K | C CAPACITOR | 0.1uF 10V K | 1 | |
| | C237 | CK73HBB1C103K | C CAPACITOR | 0.01uF 16V K | 1 | |
| | C251 | CK73EBB1A106K | C CAPACITOR | 10uF 10V K | 1 | |
| | C261 | CK73EBB1A106K | C CAPACITOR | 10uF 10V K | 1 | |
| | C273 | CK73GXR1A105K | C CAPACITOR | 1uF 10V K | 1 | |
| | C304 | CD04AV1C470M | E CAPACITOR | 47uF 16V M | 1 | |
| | C311 | CK73FBB0J475K | C CAPACITOR | 4.7uF 6.3V K | 1 | |
| | C312 | CK730AV1C105K | C CAPACITOR | 1uF 16V K | 1 | |
| | C316 | CK730AV1C224K | C CAPACITOR | 0.22uF 16V K | 1 | |
| | C317 | CK730AV1C224K | C CAPACITOR | 0.22uF 16V K | 1 | |
| | C318 | CK730AV1C224K | C CAPACITOR | 0.22uF 16V K | 1 | |
| | C319 | CK730AV1C224K | C CAPACITOR | 0.22uF 16V K | 1 | |
| | C321 | CK73EBB1A106K | C CAPACITOR | 10uF 10V K | 1 | K0,K4 |
| | C331 | CK73EBB1A106K | C CAPACITOR | 10uF 10V K | 1 | K0,K4 |
| | C370 | CK73GXR1H104K | C CAPACITOR | 0.1uF 50V K | 1 | |
| | C390 | CK73FBB1H224K | C CAPACITOR | 0.22uF 50V K | 1 | |
| | C391 | CK73FBB1H224K | C CAPACITOR | 0.22uF 50V K | 1 | |
| | C402 | CK73GXR1H104K | C CAPACITOR | 0.1uF 50V K | 1 | |
| | C410 | CK73GXR1H104K | C CAPACITOR | 0.1uF 50V K | 1 | |
| | C472 | CK73GXR1H104K | C CAPACITOR | 0.1uF 50V K | 1 | |
| | C540 | CK73GXR1C105K | C CAPACITOR | 1uF 16V K | 1 | |
| | C541 | CK73GXR1C105K | C CAPACITOR | 1uF 16V K | 1 | |
| | C542 | CK73FXR0J106K | C CAPACITOR | 10uF 6.3V K | 1 | |
| | C601 | CK73FXR0J106K | C CAPACITOR | 10uF 6.3V K | 1 | |
| | C602 | CK73FXR0J106K | C CAPACITOR | 10uF 6.3V K | 1 | |
| | C603 | CK73HBB1A104K | C CAPACITOR | 0.1uF 10V K | 1 | |
| | C604 | CK73HBB1H152K | C CAPACITOR | 1500pF 50V K | 1 | |
| | C605 | CK73GBB1H102K | C CAPACITOR | 1000pF 50V K | 1 | |
| | C606 | CC73HCH1H090D | C CAPACITOR | 9pF 50V D | 1 | |
| | C607 | CC73HCH1H010C | C CAPACITOR | 1pF 50V C | 1 | |
| | C608 | CK73HBB1H102K | C CAPACITOR | 1000pF 50V K | 1 | |
| | C609 | CK73HBB1A104K | C CAPACITOR | 0.1uF 10V K | 1 | |
| | C610 | CC73HCH1H120J | C CAPACITOR | 12pF 50V J | 1 | |
| | C611 | CC73HCH1H010C | C CAPACITOR | 1pF 50V C | 1 | |
| | C612 | CK73GBB1H103K | C CAPACITOR | 0.01uF 50V K | 1 | |
| | C614 | CC73HCH1H220J | C CAPACITOR | 22pF 50V J | 1 | |
| | C615 | CC73GCH1H330J | C CAPACITOR | 33pF 50V J | 1 | |
| | C616 | CK73HBB1H102K | C CAPACITOR | 1000pF 50V K | 1 | |
| | C617 | CK73HBB0J224K | C CAPACITOR | 0.22uF 6.3V K | 1 | |
| | C618 | CK73HBB1A104K | C CAPACITOR | 0.1uF 10V K | 1 | |
| | C619 | CK73HBB1A104K | C CAPACITOR | 0.1uF 10V K | 1 | |
| | C620 | CK73GXR1A105K | C CAPACITOR | 1uF 10V K | 1 | |
| | C621 | CK73GXR1A105K | C CAPACITOR | 1uF 10V K | 1 | |
| | C702 | CK73FXR1C106K | C CAPACITOR | 10uF 16V K | 1 | |
| | C703 | CK73HBB1H103K | C CAPACITOR | 0.01uF 50V K | 1 | |
| | C704 | CC73HCH1H150J | C CAPACITOR | 15pF 50V J | 1 | |
| | C705 | CC73HCH1H150J | C CAPACITOR | 15pF 50V J | 1 | |
| | C706 | CK73FXR1C106K | C CAPACITOR | 10uF 16V K | 1 | |
| | C707 | CK73HBB1E223K | C CAPACITOR | 0.022uF 25V K | 1 | |
| | C708 | CC73GCH1H101J | C CAPACITOR | 100pF 50V J | 1 | |
| | C709 | CC73GCH1H100D | C CAPACITOR | 10pF 50V D | 1 | |
| | C710 | CK73HBB1H222K | C CAPACITOR | 2200pF 50V K | 1 | |
| | C711 | CK73GBB1H471K | C CAPACITOR | 470pF 50V K | 1 | |

| | | | | | | | |
|------------|------|------------|------|------------|------|-------------|------|
| MODEL | MARK | MODEL | MARK | MODEL | MARK | MODEL | MARK |
| KDC-BT265U | K0 | KDC-BT500U | M3 | KDC-BT500U | E2 | KDC-MP365BT | K4 |

| Safe | Symbol No. | Parts No. | Parts Name | Description | QTY | Local |
|------|------------|---------------|-------------|---------------|-----|-------|
| | C713 | CK73GXR1A105K | C CAPACITOR | 1uF 10V K | 1 | |
| | C714 | CK73GBB1H103K | C CAPACITOR | 0.01uF 50V K | 1 | |
| | C716 | CK73GCH1H101J | C CAPACITOR | 100pF 50V J | 1 | |
| | C719 | CK73GXR1A105K | C CAPACITOR | 1uF 10V K | 1 | |
| | C720 | CK73GXR1H104K | C CAPACITOR | 0.1uF 50V K | 1 | |
| | C722 | CK73FXR0J106K | C CAPACITOR | 10uF 6.3V K | 1 | |
| | C724 | CK73GBB1H103K | C CAPACITOR | 0.01uF 50V K | 1 | |
| | C725 | CK73FXR1C106K | C CAPACITOR | 10uF 16V K | 1 | |
| | C726 | CK73GBB1H103K | C CAPACITOR | 0.01uF 50V K | 1 | |
| | C727 | CK73FXR1C106K | C CAPACITOR | 10uF 16V K | 1 | |
| | C728 | CK73GCH1H101J | C CAPACITOR | 100pF 50V J | 1 | |
| | C729 | CK73FXR1A475K | C CAPACITOR | 4.7uF 10V K | 1 | |
| | C730 | CK73GCH1H101J | C CAPACITOR | 100pF 50V J | 1 | |
| | C731 | CK73FXR1A475K | C CAPACITOR | 4.7uF 10V K | 1 | |
| | C733 | CK73GXR0J475K | C CAPACITOR | 4.7uF 6.3V K | 1 | |
| | C735 | CK73GBB1H472K | C CAPACITOR | 4700pF 50V K | 1 | |
| | C736 | CC73HCH1H070D | C CAPACITOR | 7pF 50V D | 1 | |
| | C737 | CC73HCH1H070D | C CAPACITOR | 7pF 50V D | 1 | |
| | C738 | CK73GBB1H472K | C CAPACITOR | 4700pF 50V K | 1 | |
| | C740 | CK73GBB1H472K | C CAPACITOR | 4700pF 50V K | 1 | |
| | C741 | CC73GCH1H100D | C CAPACITOR | 10pF 50V D | 1 | |
| | C742 | CC73GCH1H101J | C CAPACITOR | 100pF 50V J | 1 | |
| | C750 | CK73FXR1A475K | C CAPACITOR | 4.7uF 10V K | 1 | |
| | C756 | CK73HXR1A105K | C CAPACITOR | 1uF 10V K | 1 | |
| | C757 | CC73HCH1H330J | C CAPACITOR | 33pF 50V J | 1 | |
| | C820 | CK73GBB1H472K | C CAPACITOR | 4700pF 50V K | 1 | |
| | C821 | CK73GBB1H471K | C CAPACITOR | 470pF 50V K | 1 | |
| | C824 | CC73GCH1H101J | C CAPACITOR | 100pF 50V J | 1 | |
| | C830 | CK73HBB1H471K | C CAPACITOR | 470pF 50V K | 1 | |
| | C831 | CK73GXR1C105K | C CAPACITOR | 1uF 16V K | 1 | |
| | C840 | CK73GBB1C473K | C CAPACITOR | 0.047uF 16V K | 1 | |
| | C851 | CK73FXR1C475K | C CAPACITOR | 4.7uF 16V K | 1 | |
| | C868 | QE20850-157Z | E CAPACITOR | 150uF | 1 | |
| | C871 | CK73HBB0J224K | C CAPACITOR | 0.22uF 6.3V K | 1 | |
| | C873 | CK73EBB1A106K | C CAPACITOR | 10uF 10V K | 1 | |
| | C876 | CK73GXR1H104K | C CAPACITOR | 0.1uF 50V K | 1 | |
| | C878 | CK73EBB1A106K | C CAPACITOR | 10uF 10V K | 1 | |
| | C880 | CK73HBB1A104K | C CAPACITOR | 0.1uF 10V K | 1 | |
| | C881 | CK73GBB1C224K | C CAPACITOR | 0.22uF 16V K | 1 | |
| | C883 | CC73HCH1H150J | C CAPACITOR | 15pF 50V J | 1 | |
| | C903 | CD04AS1C220M | E CAPACITOR | 22uF 16V M | 1 | |
| | C904 | CK73GXR1A105K | C CAPACITOR | 1uF 10V K | 1 | |
| | C905 | CD04AR1C471M | E CAPACITOR | 470uF 16V M | 1 | |
| | C906 | CK73GXR1A105K | C CAPACITOR | 1uF 10V K | 1 | |
| | C907 | CD04AS0J101M | E CAPACITOR | 100uF 6.3V M | 1 | |
| | C908 | CK73GXR1A105K | C CAPACITOR | 1uF 10V K | 1 | |
| | C909 | CK73GXR1H104K | C CAPACITOR | 0.1uF 50V K | 1 | |
| | C911 | CK73GXR1H104K | C CAPACITOR | 0.1uF 50V K | 1 | |
| | C912 | CK73GXR1A105K | C CAPACITOR | 1uF 10V K | 1 | |
| | C914 | CK73GXR1A105K | C CAPACITOR | 1uF 10V K | 1 | |
| | C916 | CK73GBB1H103K | C CAPACITOR | 0.01uF 50V K | 1 | |
| | C930 | CK73GXR1H104K | C CAPACITOR | 0.1uF 50V K | 1 | |
| | C931 | CK73FXR0J106K | C CAPACITOR | 10uF 6.3V K | 1 | |
| | C932 | CK73GXR1A105K | C CAPACITOR | 1uF 10V K | 1 | |
| | C940 | CK73FXR0J106K | C CAPACITOR | 10uF 6.3V K | 1 | |
| | C941 | CK73GXR1H104K | C CAPACITOR | 0.1uF 50V K | 1 | |
| | C942 | CK73GXR1C105K | C CAPACITOR | 1uF 16V K | 1 | |
| | C990 | QE20981-228 | E CAPACITOR | 2200uF | 1 | |
| | C1003 | CK73GXR1H104K | C CAPACITOR | 0.1uF 50V K | 1 | |
| | C1010 | CK73GBB1H471K | C CAPACITOR | 470pF 50V K | 1 | M3,K4 |
| | C1011 | CK73GBB1H471K | C CAPACITOR | 470pF 50V K | 1 | M3,K4 |
| | C1012 | CK73GBB1H471K | C CAPACITOR | 470pF 50V K | 1 | M3,K4 |
| | C1013 | CK73GBB1H471K | C CAPACITOR | 470pF 50V K | 1 | M3,K4 |
| | C1014 | CK73GBB1H471K | C CAPACITOR | 470pF 50V K | 1 | M3,K4 |
| | C1015 | CK73GBB1H471K | C CAPACITOR | 470pF 50V K | 1 | M3,K4 |
| | C1016 | CK73GBB1H471K | C CAPACITOR | 470pF 50V K | 1 | M3,K4 |
| | C1017 | CK73GBB1H471K | C CAPACITOR | 470pF 50V K | 1 | M3,K4 |
| | C1020 | CK73GBB1C104K | C CAPACITOR | 0.1uF 16V K | 1 | |
| | C1300 | CK73GXR1A105K | C CAPACITOR | 1uF 10V K | 1 | |
| | C1301 | CK73GBB1H103K | C CAPACITOR | 0.01uF 50V K | 1 | |
| | C1600 | CK73GXR1H104K | C CAPACITOR | 0.1uF 50V K | 1 | |
| | C1601 | CK73GXR1H104K | C CAPACITOR | 0.1uF 50V K | 1 | |
| | C1602 | CK73GXR1H104K | C CAPACITOR | 0.1uF 50V K | 1 | |
| | C1603 | CK73GXR1H104K | C CAPACITOR | 0.1uF 50V K | 1 | |
| | C1604 | CK73GXR1H104K | C CAPACITOR | 0.1uF 50V K | 1 | |
| | C1900 | CK73GBB1H103K | C CAPACITOR | 0.01uF 50V K | 1 | |
| | C2003 | CK73GXR1H104K | C CAPACITOR | 0.1uF 50V K | 1 | |
| | C2005 | CK73GBB1H471K | C CAPACITOR | 470pF 50V K | 1 | |
| | C2007 | CK73GBB1H103K | C CAPACITOR | 0.01uF 50V K | 1 | |
| | C2010 | CK73FXR0J106K | C CAPACITOR | 10uF 6.3V K | 1 | |
| | C2011 | CK73GBB1H103K | C CAPACITOR | 0.01uF 50V K | 1 | |
| | C2012 | CK73GXR1H104K | C CAPACITOR | 0.1uF 50V K | 1 | |
| | C2013 | CK73GBB1H471K | C CAPACITOR | 470pF 50V K | 1 | |
| | C2014 | CC73GCH1H101J | C CAPACITOR | 100pF 50V J | 1 | |
| | C2015 | CK73GBB1H472K | C CAPACITOR | 4700pF 50V K | 1 | |
| | C2016 | CK73GBB1H103K | C CAPACITOR | 0.01uF 50V K | 1 | |
| | C2017 | CK73GBB1H472K | C CAPACITOR | 4700pF 50V K | 1 | |
| | C2018 | CK73GBB1H103K | C CAPACITOR | 0.01uF 50V K | 1 | |
| | C2019 | CK73GXR1H104K | C CAPACITOR | 0.1uF 50V K | 1 | |
| | C2021 | CK73GBB1H471K | C CAPACITOR | 470pF 50V K | 1 | |
| | C2022 | CK73GXR1H104K | C CAPACITOR | 0.1uF 50V K | 1 | |
| | C2023 | CK73GXR1C105K | C CAPACITOR | 1uF 16V K | 1 | |
| | C2024 | CK73GBB1H471K | C CAPACITOR | 470pF 50V K | 1 | |

| | | | | | | | |
|------------|------|------------|------|------------|------|-------------|------|
| MODEL | MARK | MODEL | MARK | MODEL | MARK | MODEL | MARK |
| KDC-BT265U | K0 | KDC-BT500U | M3 | KDC-BT500U | E2 | KDC-MP365BT | K4 |

| Safe | Symbol No. | Parts No. | Parts Name | Description | QTY | Local |
|------|------------|---------------|---------------|---------------|-----|----------|
| | C2025 | CK73GBB1H103K | C CAPACITOR | 0.01uF 50V K | 1 | |
| | C2026 | CK73FXR0J106K | C CAPACITOR | 10uF 6.3V K | 1 | |
| | C2029 | CC73GCH1H050C | C CAPACITOR | 5pF 50V C | 1 | |
| | C2030 | CC73GCH1H050C | C CAPACITOR | 5pF 50V C | 1 | |
| | C2031 | CK73GBB1H103K | C CAPACITOR | 0.01uF 50V K | 1 | |
| | C2032 | CK73HBB1C103K | C CAPACITOR | 0.01uF 16V K | 1 | |
| | C2033 | CK73GBB1H103K | C CAPACITOR | 0.01uF 50V K | 1 | |
| | C2034 | CK73GBB1H103K | C CAPACITOR | 0.01uF 50V K | 1 | |
| | C2035 | CK73GXR1A105K | C CAPACITOR | 1uF 10V K | 1 | |
| | C2036 | CK73GBB1H103K | C CAPACITOR | 0.01uF 50V K | 1 | |
| | C2038 | CC73GCH1H101J | C CAPACITOR | 100pF 50V J | 1 | |
| | C2039 | CC73GCH1H101J | C CAPACITOR | 100pF 50V J | 1 | |
| | C2040 | CC73GCH1H100D | C CAPACITOR | 10pF 50V D | 1 | |
| | C2041 | CC73HCH1H101J | C CAPACITOR | 100pF 50V J | 1 | |
| | C2042 | CC73GCH1H101J | C CAPACITOR | 100pF 50V J | 1 | |
| | C2043 | CC73GCH1H101J | C CAPACITOR | 100pF 50V J | 1 | |
| | C2044 | CC73GCH1H101J | C CAPACITOR | 100pF 50V J | 1 | |
| | C2045 | CK73GBB1H472K | C CAPACITOR | 4700pF 50V K | 1 | |
| | C2047 | CK73GBB1H103K | C CAPACITOR | 0.01uF 50V K | 1 | |
| | C2048 | CK73GBB1H103K | C CAPACITOR | 0.01uF 50V K | 1 | |
| | C2049 | CK73GBB1H103K | C CAPACITOR | 0.01uF 50V K | 1 | |
| | C2050 | CK73GBB1H103K | C CAPACITOR | 0.01uF 50V K | 1 | |
| | C2051 | CK73HBB1C103K | C CAPACITOR | 0.01uF 16V K | 1 | |
| | C2052 | CK73HBB1C103K | C CAPACITOR | 0.01uF 16V K | 1 | |
| | C2055 | CK73GBB1H103K | C CAPACITOR | 0.01uF 50V K | 1 | |
| | C2056 | CK73HBB1H471K | C CAPACITOR | 470pF 50V K | 1 | |
| | C2058 | CK73GBB1H103K | C CAPACITOR | 0.01uF 50V K | 1 | |
| | C2060 | CK73GBB1H472K | C CAPACITOR | 4700pF 50V K | 1 | |
| | C2061 | CK73GBB1H103K | C CAPACITOR | 0.01uF 50V K | 1 | |
| | C2062 | CK73EBB1E105K | C CAPACITOR | 1uF 25V K | 1 | |
| | C2063 | CK73GBB1H103K | C CAPACITOR | 0.01uF 50V K | 1 | |
| | C2064 | CC73GCH1H101J | C CAPACITOR | 100pF 50V J | 1 | |
| | C2065 | CK73GXR1A105K | C CAPACITOR | 1uF 10V K | 1 | |
| | C2066 | CK73GXR1A105K | C CAPACITOR | 1uF 10V K | 1 | |
| | C2067 | CC73GCH1H101J | C CAPACITOR | 100pF 50V J | 1 | |
| | C2069 | CK73HBB1E223K | C CAPACITOR | 0.022uF 25V K | 1 | |
| | C2070 | RK73GB2A332J | MG RESISTOR | 3.3kΩ 1/10W J | 1 | |
| | C2072 | CK73HBB1H472K | C CAPACITOR | 4700pF 50V K | 1 | |
| | C2073 | CC73HCH1H101J | C CAPACITOR | 100pF 50V J | 1 | |
| | C2074 | CK73EBB1E105K | C CAPACITOR | 1uF 25V K | 1 | |
| | C2077 | CK73EBB1E105K | C CAPACITOR | 1uF 25V K | 1 | |
| | C2080 | CC73GCH1H050C | C CAPACITOR | 5pF 50V C | 1 | |
| | C2081 | CK73GBB1H103K | C CAPACITOR | 0.01uF 50V K | 1 | |
| | C2083 | CK73GBB1H103K | C CAPACITOR | 0.01uF 50V K | 1 | |
| | C2086 | CK73GBB1H103K | C CAPACITOR | 0.01uF 50V K | 1 | |
| | C2087 | CK73FXR0J106K | C CAPACITOR | 10uF 6.3V K | 1 | |
| | C2088 | CK73FXR0J106K | C CAPACITOR | 10uF 6.3V K | 1 | |
| | C2089 | CK73GXR1A475K | C CAPACITOR 2 | | 1 | K0 |
| | C2089 | CK73GXR0J475K | C CAPACITOR | 4.7uF 6.3V K | 1 | M3,E2,K4 |
| | C2090 | CK73GXR1A475K | C CAPACITOR 2 | | 1 | K0 |
| | C2090 | CK73GXR0J475K | C CAPACITOR | 4.7uF 6.3V K | 1 | M3,E2,K4 |
| | C2091 | CK73HBB1H331K | C CAPACITOR | 330pF 50V K | 1 | |
| | C2092 | CK73HBB1H331K | C CAPACITOR | 330pF 50V K | 1 | |
| | C2093 | CK73FXR1A106K | C CAPACITOR | 10uF 10V K | 1 | |
| | C2094 | CK73GXR1A475K | C CAPACITOR 2 | | 1 | K0 |
| | C2094 | CK73GXR0J475K | C CAPACITOR | 4.7uF 6.3V K | 1 | M3,E2,K4 |
| | C2095 | CK73GXR1A475K | C CAPACITOR 2 | | 1 | K0 |
| | C2095 | CK73GXR0J475K | C CAPACITOR | 4.7uF 6.3V K | 1 | M3,E2,K4 |
| | C2096 | CK73HBB1H331K | C CAPACITOR | 330pF 50V K | 1 | |
| | C2097 | CK73HBB1H331K | C CAPACITOR | 330pF 50V K | 1 | |
| | C2098 | CK73FXR1A106K | C CAPACITOR | 10uF 10V K | 1 | |
| | C2099 | CK73GXR1A475K | C CAPACITOR 2 | | 1 | K0 |
| | C2099 | CK73GXR0J475K | C CAPACITOR | 4.7uF 6.3V K | 1 | M3,E2,K4 |
| | C2100 | CK73GXR1A475K | C CAPACITOR 2 | | 1 | K0 |
| | C2100 | CK73GXR0J475K | C CAPACITOR | 4.7uF 6.3V K | 1 | M3,E2,K4 |
| | C2101 | CK73HBB1H331K | C CAPACITOR | 330pF 50V K | 1 | |
| | C2102 | CK73HBB1H331K | C CAPACITOR | 330pF 50V K | 1 | |
| | C2103 | CK73FXR1A106K | C CAPACITOR | 10uF 10V K | 1 | |
| | C2105 | CK73HBB1C103K | C CAPACITOR | 0.01uF 16V K | 1 | |
| | C2106 | CK73HBB1H471K | C CAPACITOR | 470pF 50V K | 1 | |
| | C2107 | CK73HBB1H471K | C CAPACITOR | 470pF 50V K | 1 | |
| | C2108 | CK73GBB1H471K | C CAPACITOR | 470pF 50V K | 1 | |
| | C2109 | CK73GBB1H471K | C CAPACITOR | 470pF 50V K | 1 | |
| | C2110 | CC73GCH1H101J | C CAPACITOR | 100pF 50V J | 1 | |
| | C2111 | CK73GBB1H472K | C CAPACITOR | 4700pF 50V K | 1 | |
| | C2112 | CC73GCH1H101J | C CAPACITOR | 100pF 50V J | 1 | |
| | C2114 | CK73GBB1H472K | C CAPACITOR | 4700pF 50V K | 1 | |
| | C2115 | CK73GBB1H471K | C CAPACITOR | 470pF 50V K | 1 | |
| | C2116 | CK73GBB1H103K | C CAPACITOR | 0.01uF 50V K | 1 | |
| | C2117 | CC73HCH1H101J | C CAPACITOR | 100pF 50V J | 1 | |
| | C2118 | CD04AR1C471M | E CAPACITOR | 470uF 16V M | 1 | |
| | C2120 | CK73GBB1H103K | C CAPACITOR | 0.01uF 50V K | 1 | |
| | C2121 | CK73GBB1H103K | C CAPACITOR | 0.01uF 50V K | 1 | |
| | R100 | RK73GB2A471J | MG RESISTOR | 470Ω 1/10W J | 1 | |
| | R101 | RK73HB1J000J | MG RESISTOR | 0Ω 1/16W J | 1 | |
| | R102 | RK73HB1J000J | MG RESISTOR | 0Ω 1/16W J | 1 | |
| | R105 | RK73GB2A000J | MG RESISTOR | 0Ω 1/10W J | 1 | |
| | R106 | RK73HB1J000J | MG RESISTOR | 0Ω 1/16W J | 1 | |
| | R107 | RK73GB2A000J | MG RESISTOR | 0Ω 1/10W J | 1 | |
| | R120 | RK73HB1J913J | MG RESISTOR | 91kΩ 1/16W J | 1 | |
| | R121 | RK73HB1J913J | MG RESISTOR | 91kΩ 1/16W J | 1 | |
| | R122 | RK73HB1J913J | MG RESISTOR | 91kΩ 1/16W J | 1 | |

| | | | | | | | |
|------------|------|------------|------|------------|------|-------------|------|
| MODEL | MARK | MODEL | MARK | MODEL | MARK | MODEL | MARK |
| KDC-BT265U | K0 | KDC-BT500U | M3 | KDC-BT500U | E2 | KDC-MP365BT | K4 |

| Safe | Symbol No. | Parts No. | Parts Name | Description | QTY | Local |
|------|------------|--------------|-------------|---------------|-----|-------|
| | R123 | RK73HB1J913J | MG RESISTOR | 91kΩ 1/16W J | 1 | |
| | R124 | RK73HB1J473J | MG RESISTOR | 47kΩ 1/16W J | 1 | |
| | R125 | RK73HB1J473J | MG RESISTOR | 47kΩ 1/16W J | 1 | |
| | R126 | RK73HB1J473J | MG RESISTOR | 47kΩ 1/16W J | 1 | |
| | R127 | RK73HB1J473J | MG RESISTOR | 47kΩ 1/16W J | 1 | |
| | R146 | RK73GB2A183J | MG RESISTOR | 18kΩ 1/10W J | 1 | |
| | R147 | RK73HB1J000J | MG RESISTOR | 0Ω 1/16W J | 1 | |
| | R148 | RK73HB1J752J | MG RESISTOR | 7.5kΩ 1/16W J | 1 | |
| | R149 | RK73HB1J000J | MG RESISTOR | 0Ω 1/16W J | 1 | |
| | R150 | RK73GB2A183J | MG RESISTOR | 18kΩ 1/10W J | 1 | |
| | R151 | RK73HB1J752J | MG RESISTOR | 7.5kΩ 1/16W J | 1 | |
| | R152 | RK73GB2A120J | MG RESISTOR | 12Ω 1/10W J | 1 | |
| | R153 | RK73GB2A200J | MG RESISTOR | 20Ω 1/10W J | 1 | K0,K4 |
| | R154 | RK73GB2A120J | MG RESISTOR | 12Ω 1/10W J | 1 | |
| | R155 | RK73GB2A200J | MG RESISTOR | 20Ω 1/10W J | 1 | K0,K4 |
| | R156 | RK73GB2A200J | MG RESISTOR | 20Ω 1/10W J | 1 | |
| | R157 | RK73GB2A200J | MG RESISTOR | 20Ω 1/10W J | 1 | |
| | R158 | RK73GB2A000J | MG RESISTOR | 0Ω 1/10W J | 1 | |
| | R159 | RK73GB2A000J | MG RESISTOR | 0Ω 1/10W J | 1 | |
| | R160 | RK73HB1J000J | MG RESISTOR | 0Ω 1/16W J | 1 | |
| | R161 | RK73GB2A822J | MG RESISTOR | 8.2kΩ 1/10W J | 1 | |
| | R162 | RK73HB1J753J | MG RESISTOR | 75kΩ 1/16W J | 1 | |
| | R163 | RK73HB1J752J | MG RESISTOR | 7.5kΩ 1/16W J | 1 | |
| | R164 | RK73HB1J753J | MG RESISTOR | 75kΩ 1/16W J | 1 | |
| | R165 | RK73GB2A183J | MG RESISTOR | 18kΩ 1/10W J | 1 | |
| | R166 | RK73HB1J752J | MG RESISTOR | 7.5kΩ 1/16W J | 1 | |
| | R167 | RK73GB2A120J | MG RESISTOR | 12Ω 1/10W J | 1 | |
| | R169 | RK73HB1J752J | MG RESISTOR | 7.5kΩ 1/16W J | 1 | |
| | R170 | RK73GB2A822J | MG RESISTOR | 8.2kΩ 1/10W J | 1 | |
| | R171 | RK73HB1J753J | MG RESISTOR | 75kΩ 1/16W J | 1 | |
| | R172 | RK73HB1J753J | MG RESISTOR | 75kΩ 1/16W J | 1 | |
| | R173 | RK73GB2A822J | MG RESISTOR | 8.2kΩ 1/10W J | 1 | |
| | R174 | RK73HB1J753J | MG RESISTOR | 75kΩ 1/16W J | 1 | |
| | R175 | RK73HB1J752J | MG RESISTOR | 7.5kΩ 1/16W J | 1 | |
| | R176 | RK73HB1J753J | MG RESISTOR | 75kΩ 1/16W J | 1 | |
| | R177 | RK73GB2A120J | MG RESISTOR | 12Ω 1/10W J | 1 | |
| | R178 | RK73GB2A183J | MG RESISTOR | 18kΩ 1/10W J | 1 | |
| | R179 | RK73HB1J000J | MG RESISTOR | 0Ω 1/16W J | 1 | |
| | R180 | RK73HB1J752J | MG RESISTOR | 7.5kΩ 1/16W J | 1 | |
| | R181 | RK73HB1J752J | MG RESISTOR | 7.5kΩ 1/16W J | 1 | |
| | R182 | RK73GB2A822J | MG RESISTOR | 8.2kΩ 1/10W J | 1 | |
| | R183 | RK73HB1J753J | MG RESISTOR | 75kΩ 1/16W J | 1 | |
| | R184 | RK73GH2A392D | MG RESISTOR | 3.9kΩ 1/10W D | 1 | |
| | R185 | RK73GB2A183J | MG RESISTOR | 18kΩ 1/10W J | 1 | |
| | R186 | RK73HB1J753J | MG RESISTOR | 75kΩ 1/16W J | 1 | |
| | R187 | RK73HB1J752J | MG RESISTOR | 7.5kΩ 1/16W J | 1 | |
| | R188 | RK73HB1J753J | MG RESISTOR | 75kΩ 1/16W J | 1 | |
| | R189 | RK73HB1J000J | MG RESISTOR | 0Ω 1/16W J | 1 | |
| | R190 | RK73GB2A822J | MG RESISTOR | 8.2kΩ 1/10W J | 1 | |
| | R191 | RK73HB1J752J | MG RESISTOR | 7.5kΩ 1/16W J | 1 | |
| | R193 | RK73HB1J752J | MG RESISTOR | 7.5kΩ 1/16W J | 1 | |
| | R194 | RK73GB2A822J | MG RESISTOR | 8.2kΩ 1/10W J | 1 | |
| | R195 | RK73HB1J753J | MG RESISTOR | 75kΩ 1/16W J | 1 | |
| | R196 | RK73HB1J753J | MG RESISTOR | 75kΩ 1/16W J | 1 | |
| | R197 | RK73HB1J753J | MG RESISTOR | 75kΩ 1/16W J | 1 | |
| | R198 | RK73GH2A102D | MG RESISTOR | 1kΩ 1/10W D | 1 | |
| | R199 | RK73GB2A183J | MG RESISTOR | 18kΩ 1/10W J | 1 | |
| | R200 | RK73GB2A000J | MG RESISTOR | 0Ω 1/10W J | 1 | |
| | R201 | RK73GB2A000J | MG RESISTOR | 0Ω 1/10W J | 1 | |
| | R220 | RK73HB1J101J | MG RESISTOR | 100Ω 1/16W J | 1 | |
| | R221 | RK73HB1J101J | MG RESISTOR | 100Ω 1/16W J | 1 | |
| | R222 | RK73GB2A000J | MG RESISTOR | 0Ω 1/10W J | 1 | |
| | R223 | RK73HB1J822J | MG RESISTOR | 8.2kΩ 1/16W J | 1 | |
| | R224 | RK73HB1J103J | MG RESISTOR | 10kΩ 1/16W J | 1 | |
| | R225 | RK73HB1J333J | MG RESISTOR | 33kΩ 1/16W J | 1 | |
| | R226 | RK73HB1J122J | MG RESISTOR | 1.2kΩ 1/16W J | 1 | |
| | R227 | RK73HB1J124J | MG RESISTOR | 120kΩ 1/16W J | 1 | |
| | R229 | RK73HB1J122J | MG RESISTOR | 1.2kΩ 1/16W J | 1 | |
| | R230 | RK73HB1J124J | MG RESISTOR | 120kΩ 1/16W J | 1 | |
| | R231 | RK73HB1J103J | MG RESISTOR | 10kΩ 1/16W J | 1 | |
| | R232 | RK73HB1J103J | MG RESISTOR | 10kΩ 1/16W J | 1 | |
| | R233 | RK73GB2A681J | MG RESISTOR | 680Ω 1/10W J | 1 | |
| | R234 | RK73GB2A222J | MG RESISTOR | 2.2kΩ 1/10W J | 1 | |
| | R236 | RK73GB2A000J | MG RESISTOR | 0Ω 1/10W J | 1 | |
| | R237 | RK73GB2A471J | MG RESISTOR | 470Ω 1/10W J | 1 | |
| | R238 | RK73HB1J103J | MG RESISTOR | 10kΩ 1/16W J | 1 | |
| | R239 | RK73HB1J000J | MG RESISTOR | 0Ω 1/16W J | 1 | |
| | R240 | RK73HB1J752J | MG RESISTOR | 7.5kΩ 1/16W J | 1 | |
| | R250 | RK73HB1J181J | MG RESISTOR | 180Ω 1/16W J | 1 | |
| | R251 | RK73HB1J223J | MG RESISTOR | 22kΩ 1/16W J | 1 | |
| | R252 | RK73GB2A331J | MG RESISTOR | 330Ω 1/10W J | 1 | |
| | R254 | RK73HB1J472J | MG RESISTOR | 4.7kΩ 1/16W J | 1 | |
| | R260 | RK73HB1J181J | MG RESISTOR | 180Ω 1/16W J | 1 | |
| | R261 | RK73HB1J223J | MG RESISTOR | 22kΩ 1/16W J | 1 | |
| | R262 | RK73GB2A331J | MG RESISTOR | 330Ω 1/10W J | 1 | |
| | R264 | RK73HB1J472J | MG RESISTOR | 4.7kΩ 1/16W J | 1 | |
| | R270 | RK73GB2A104J | MG RESISTOR | 100kΩ 1/10W J | 1 | |
| | R271 | RK73GB2A331J | MG RESISTOR | 330Ω 1/10W J | 1 | |
| | R272 | RK73HB1J303J | MG RESISTOR | 30kΩ 1/16W J | 1 | |
| | R273 | RK73EB2E223J | MG RESISTOR | 22kΩ 1/4W J | 1 | |
| | R302 | RK73GB2A821J | MG RESISTOR | 820Ω 1/10W J | 1 | |
| | R303 | RK73EB2E3R0J | MG RESISTOR | 3Ω 1/4W J | 1 | |

| | | | | | | | |
|------------|------|------------|------|------------|------|-------------|------|
| MODEL | MARK | MODEL | MARK | MODEL | MARK | MODEL | MARK |
| KDC-BT265U | K0 | KDC-BT500U | M3 | KDC-BT500U | E2 | KDC-MP365BT | K4 |

| Safe | Symbol No. | Parts No. | Parts Name | Description | QTY | Local |
|------|------------|--------------|-------------|---------------|-----|----------|
| | R304 | RK73GB2A473J | MG RESISTOR | 47kΩ 1/10W J | 1 | |
| | R320 | RK73GB2A181J | MG RESISTOR | 180Ω 1/10W J | 1 | K0,K4 |
| | R321 | RK73HB1J223J | MG RESISTOR | 22kΩ 1/16W J | 1 | K0,K4 |
| | R322 | RK73HB1J472J | MG RESISTOR | 4.7kΩ 1/16W J | 1 | K0,K4 |
| | R323 | RK73GB2A331J | MG RESISTOR | 330Ω 1/10W J | 1 | K0,K4 |
| | R330 | RK73GB2A181J | MG RESISTOR | 180Ω 1/10W J | 1 | K0,K4 |
| | R331 | RK73HB1J223J | MG RESISTOR | 22kΩ 1/16W J | 1 | K0,K4 |
| | R332 | RK73HB1J472J | MG RESISTOR | 4.7kΩ 1/16W J | 1 | K0,K4 |
| | R333 | RK73GB2A331J | MG RESISTOR | 330Ω 1/10W J | 1 | K0,K4 |
| | R370 | RK73GB2A683J | MG RESISTOR | 68kΩ 1/10W J | 1 | |
| | R371 | RK73GB2A123J | MG RESISTOR | 12kΩ 1/10W J | 1 | |
| | R372 | RK73GB2A103J | MG RESISTOR | 10kΩ 1/10W J | 1 | |
| | R390 | RK73EB2E472J | MG RESISTOR | 4.7kΩ 1/4W J | 1 | |
| | R400 | RK73GB2A102J | MG RESISTOR | 1kΩ 1/10W J | 1 | |
| | R402 | RK73HB1J222J | MG RESISTOR | 2.2kΩ 1/16W J | 1 | |
| | R410 | RK73HB1J101J | MG RESISTOR | 100Ω 1/16W J | 1 | |
| | R411 | RK73HB1J101J | MG RESISTOR | 100Ω 1/16W J | 1 | |
| | R412 | RK73HB1J472J | MG RESISTOR | 4.7kΩ 1/16W J | 1 | |
| | R413 | RK73HB1J472J | MG RESISTOR | 4.7kΩ 1/16W J | 1 | |
| | R414 | RK73GB2A472J | MG RESISTOR | 4.7kΩ 1/10W J | 1 | |
| | R540 | RK73GH2A123D | MG RESISTOR | 12kΩ 1/10W D | 1 | |
| | R542 | RK73GB2A222J | MG RESISTOR | 2.2kΩ 1/10W J | 1 | |
| | R543 | RK73GB2A000J | MG RESISTOR | 0Ω 1/10W J | 1 | |
| | R600 | RK73FB2B102J | MG RESISTOR | 1kΩ 1/8W J | 1 | |
| | R601 | RK73HB1J101J | MG RESISTOR | 100Ω 1/16W J | 1 | |
| | R602 | RK73HB1J820J | MG RESISTOR | 82Ω 1/16W J | 1 | |
| | R603 | RK73HB1J105J | MG RESISTOR | 1MΩ 1/16W J | 1 | |
| | R604 | RK73HB1J105J | MG RESISTOR | 1MΩ 1/16W J | 1 | |
| | R605 | RK73HB1J4R7J | MG RESISTOR | 4.7Ω 1/16W J | 1 | |
| | R611 | RK73HB1J101J | MG RESISTOR | 100Ω 1/16W J | 1 | |
| | R680 | RK73GB2A222J | MG RESISTOR | 2.2kΩ 1/10W J | 1 | |
| | R682 | RK73HB1J101J | MG RESISTOR | 100Ω 1/16W J | 1 | |
| | R683 | RK73GB2A000J | MG RESISTOR | 0Ω 1/10W J | 1 | |
| | R684 | RK73HB1J392J | MG RESISTOR | 3.9kΩ 1/16W J | 1 | |
| | R685 | RK73HB1J392J | MG RESISTOR | 3.9kΩ 1/16W J | 1 | |
| | R690 | RK73HB1J000J | MG RESISTOR | 0Ω 1/16W J | 1 | |
| | R691 | RK73HB1J000J | MG RESISTOR | 0Ω 1/16W J | 1 | |
| | R702 | RK73HB1J222J | MG RESISTOR | 2.2kΩ 1/16W J | 1 | |
| | R703 | RK73HB1J101J | MG RESISTOR | 100Ω 1/16W J | 1 | |
| | R704 | RK73HB1J222J | MG RESISTOR | 2.2kΩ 1/16W J | 1 | |
| | R705 | RK73HB1J101J | MG RESISTOR | 100Ω 1/16W J | 1 | |
| | R709 | RK73HB1J472J | MG RESISTOR | 4.7kΩ 1/16W J | 1 | |
| | R710 | RK73HB1J473J | MG RESISTOR | 47kΩ 1/16W J | 1 | |
| | R711 | RK73HB1J473J | MG RESISTOR | 47kΩ 1/16W J | 1 | |
| | R712 | RK73HB1J473J | MG RESISTOR | 47kΩ 1/16W J | 1 | |
| | R713 | RK73HB1J101J | MG RESISTOR | 100Ω 1/16W J | 1 | |
| | R714 | RK73HB1J473J | MG RESISTOR | 47kΩ 1/16W J | 1 | |
| | R715 | RK73GB2A101J | MG RESISTOR | 100Ω 1/10W J | 1 | |
| | R718 | RK73HB1J472J | MG RESISTOR | 4.7kΩ 1/16W J | 1 | |
| | R721 | RK73HB1J101J | MG RESISTOR | 100Ω 1/16W J | 1 | |
| | R723 | RK73GB2A101J | MG RESISTOR | 100Ω 1/10W J | 1 | |
| | R725 | RK73GB2A101J | MG RESISTOR | 100Ω 1/10W J | 1 | |
| | R726 | RK73HB1J103J | MG RESISTOR | 10kΩ 1/16W J | 1 | |
| | R730 | RK73HB1J222J | MG RESISTOR | 2.2kΩ 1/16W J | 1 | |
| | R731 | RK73GB2A101J | MG RESISTOR | 100Ω 1/10W J | 1 | |
| | R734 | RK73GB2A101J | MG RESISTOR | 100Ω 1/10W J | 1 | |
| | R737 | RK73GB2A101J | MG RESISTOR | 100Ω 1/10W J | 1 | |
| | R739 | RK73GB2A102J | MG RESISTOR | 1kΩ 1/10W J | 1 | |
| | R740 | RK73GB2A472J | MG RESISTOR | 4.7kΩ 1/10W J | 1 | |
| | R742 | RK73HB1J101J | MG RESISTOR | 100Ω 1/16W J | 1 | |
| | R743 | RK73HB1J222J | MG RESISTOR | 2.2kΩ 1/16W J | 1 | |
| | R744 | RK73GB2A101J | MG RESISTOR | 100Ω 1/10W J | 1 | |
| | R746 | RK73HB1J000J | MG RESISTOR | 0Ω 1/16W J | 1 | |
| | R748 | RK73GB2A101J | MG RESISTOR | 100Ω 1/10W J | 1 | |
| | R750 | RK73GB2A101J | MG RESISTOR | 100Ω 1/10W J | 1 | |
| | R752 | RK73GB2A101J | MG RESISTOR | 100Ω 1/10W J | 1 | |
| | R755 | RK73HB1J103J | MG RESISTOR | 10kΩ 1/16W J | 1 | |
| | R756 | RK73GB2A101J | MG RESISTOR | 100Ω 1/10W J | 1 | |
| | R768 | RK73GB2A333J | MG RESISTOR | 33kΩ 1/10W J | 1 | M3 |
| | R768 | RK73GB2A393J | MG RESISTOR | 39kΩ 1/10W J | 1 | E2 |
| | R769 | RK73HB1J473J | MG RESISTOR | 47kΩ 1/16W J | 1 | K0,K4 |
| | R769 | RK73HB1J153J | MG RESISTOR | 15kΩ 1/16W J | 1 | M3 |
| | R769 | RK73HB1J822J | MG RESISTOR | 8.2kΩ 1/16W J | 1 | E2 |
| | R770 | RK73GB2A333J | MG RESISTOR | 33kΩ 1/10W J | 1 | K4 |
| | R771 | RK73HB1J473J | MG RESISTOR | 47kΩ 1/16W J | 1 | K0,M3,E2 |
| | R771 | RK73HB1J153J | MG RESISTOR | 15kΩ 1/16W J | 1 | K4 |
| | R772 | RK73HB1J101J | MG RESISTOR | 100Ω 1/16W J | 1 | |
| | R777 | RK73HB1J101J | MG RESISTOR | 100Ω 1/16W J | 1 | |
| | R778 | RK73HB1J101J | MG RESISTOR | 100Ω 1/16W J | 1 | |
| | R781 | RK73HB1J000J | MG RESISTOR | 0Ω 1/16W J | 1 | |
| | R782 | RK73HB1J000J | MG RESISTOR | 0Ω 1/16W J | 1 | |
| | R783 | RK73HB1J000J | MG RESISTOR | 0Ω 1/16W J | 1 | |
| | R785 | RK73HB1J000J | MG RESISTOR | 0Ω 1/16W J | 1 | |
| | R788 | RK73GH2A823D | MG RESISTOR | 82kΩ 1/10W D | 1 | |
| | R789 | RK73GH2A393D | MG RESISTOR | 39kΩ 1/10W D | 1 | |
| | R790 | RK73GB2A000J | MG RESISTOR | 0Ω 1/10W J | 1 | |
| | R792 | RK73GB2A000J | MG RESISTOR | 0Ω 1/10W J | 1 | |
| | R794 | RK73GB2A101J | MG RESISTOR | 100Ω 1/10W J | 1 | |
| | R795 | RK73HB1J101J | MG RESISTOR | 100Ω 1/16W J | 1 | |
| | R796 | RK73GH2A302D | MG RESISTOR | 3kΩ 1/10W D | 1 | |
| | R797 | RK73HB1J222J | MG RESISTOR | 2.2kΩ 1/16W J | 1 | |
| | R798 | RK73HB1J222J | MG RESISTOR | 2.2kΩ 1/16W J | 1 | |
| | R799 | RK73HB1J105J | MG RESISTOR | 1MΩ 1/16W J | 1 | |

| | | | | | | | |
|------------|------|------------|------|------------|------|-------------|------|
| MODEL | MARK | MODEL | MARK | MODEL | MARK | MODEL | MARK |
| KDC-BT265U | K0 | KDC-BT500U | M3 | KDC-BT500U | E2 | KDC-MP365BT | K4 |

| Safe | Symbol No. | Parts No. | Parts Name | Description | QTY | Local |
|------|------------|--------------|---------------|---------------|-----|-------|
| | R800 | RK73HB1J000J | MG RESISTOR | 0Ω 1/16W J | 1 | |
| | R801 | RK73HB1J222J | MG RESISTOR | 2.2kΩ 1/16W J | 1 | |
| | R802 | RK73HB1J473J | MG RESISTOR | 47kΩ 1/16W J | 1 | M3,E2 |
| | R803 | RK73HB1J225J | MG RESISTOR | 2.2MΩ 1/16W J | 1 | K0,K4 |
| | R805 | RK73GB2A102J | MG RESISTOR | 1kΩ 1/10W J | 1 | |
| | R806 | RK73HB1J102J | MG RESISTOR | 1kΩ 1/16W J | 1 | |
| | R808 | RK73HB1J222J | MG RESISTOR | 2.2kΩ 1/16W J | 1 | |
| | R809 | RK73HB1J102J | MG RESISTOR | 1kΩ 1/16W J | 1 | |
| | R820 | RK73HB1J473J | MG RESISTOR | 47kΩ 1/16W J | 1 | |
| | R823 | RK73GB2A470J | MG RESISTOR | 47Ω 1/10W J | 1 | |
| | R824 | RK73HB1J473J | MG RESISTOR | 47kΩ 1/16W J | 1 | |
| | R827 | RK73HB1J103J | MG RESISTOR | 10kΩ 1/16W J | 1 | |
| | R828 | RK73GB2A103J | MG RESISTOR | 10kΩ 1/10W J | 1 | |
| | R829 | RK73HB1J000J | MG RESISTOR | 0Ω 1/16W J | 1 | |
| | R830 | RK73GB2A101J | MG RESISTOR | 100Ω 1/10W J | 1 | |
| | R840 | RK73GB2A101J | MG RESISTOR | 100Ω 1/10W J | 1 | |
| | R841 | RK73GB2A101J | MG RESISTOR | 100Ω 1/10W J | 1 | |
| | R842 | RK73GB2A101J | MG RESISTOR | 100Ω 1/10W J | 1 | |
| | R850 | RK73HH1J123D | MG RESISTOR | 12kΩ 1/16W D | 1 | |
| | R851 | RK73HH1J243D | MG RESISTOR | 24kΩ 1/16W D | 1 | |
| | R868 | RK73GB2A512J | MG RESISTOR | 5.1kΩ 1/10W J | 1 | |
| | R869 | RK73GB2A102J | MG RESISTOR | 1kΩ 1/10W J | 1 | |
| | R871 | RK73HB1J393J | MG RESISTOR | 39kΩ 1/16W J | 1 | |
| | R872 | RK73HB1J200J | MG RESISTOR | 20Ω 1/16W J | 1 | |
| | R873 | RK73HH1J183D | MG RESISTOR | 18kΩ 1/16W D | 1 | |
| | R875 | RK73HH1J393D | MG RESISTOR | 39kΩ 1/16W D | 1 | |
| | R876 | RK73HH1J683D | MG RESISTOR | 68kΩ 1/16W D | 1 | |
| | R878 | RK73GB2A103J | MG RESISTOR | 10kΩ 1/10W J | 1 | |
| | R880 | RK73HB1J222J | MG RESISTOR | 2.2kΩ 1/16W J | 1 | |
| | R889 | RK73HB1J332J | MG RESISTOR | 3.3kΩ 1/16W J | 1 | |
| | R905 | RK73GB2A101J | MG RESISTOR | 100Ω 1/10W J | 1 | |
| | R940 | RK73EB2E1R0J | MG RESISTOR | 1Ω 1/4W J | 1 | |
| | R980 | RK73EB2E682J | MG RESISTOR | 6.8kΩ 1/4W J | 1 | |
| | R981 | RK73EB2E682J | MG RESISTOR | 6.8kΩ 1/4W J | 1 | |
| | R982 | RK73EB2E473J | MG RESISTOR | 47kΩ 1/4W J | 1 | |
| | R984 | RK73EB2E473J | MG RESISTOR | 47kΩ 1/4W J | 1 | |
| | R1070 | RK73GB2A102J | MG RESISTOR | 1kΩ 1/10W J | 1 | |
| | R1300 | RK73GB2A562J | MG RESISTOR | 5.6kΩ 1/10W J | 1 | |
| | R1302 | RK73HB1J101J | MG RESISTOR | 100Ω 1/16W J | 1 | |
| | R1303 | RK73HB1J101J | MG RESISTOR | 100Ω 1/16W J | 1 | |
| | R2001 | RK73GB2A000J | MG RESISTOR | 0Ω 1/10W J | 1 | |
| | R2003 | RK73HB1J220J | MG RESISTOR | 22Ω 1/16W J | 1 | |
| | R2004 | RK73HB1J220J | MG RESISTOR | 22Ω 1/16W J | 1 | |
| | R2005 | RK73EB2E2R2J | MG RESISTOR | 2.2Ω 1/4W J | 1 | |
| | R2008 | RK73HB1J101J | MG RESISTOR | 100Ω 1/16W J | 1 | |
| | R2009 | RK73HB1J101J | MG RESISTOR | 100Ω 1/16W J | 1 | |
| | R2014 | RK73HB1J103J | MG RESISTOR | 10kΩ 1/16W J | 1 | |
| | R2016 | RK73HB1J220J | MG RESISTOR | 22Ω 1/16W J | 1 | |
| | R2017 | RK73HB1J220J | MG RESISTOR | 22Ω 1/16W J | 1 | |
| | R2020 | RK73HB1J000J | MG RESISTOR | 0Ω 1/16W J | 1 | |
| | R2021 | RK73HB1J000J | MG RESISTOR | 0Ω 1/16W J | 1 | |
| | R2023 | RK73HB1J000J | MG RESISTOR | 0Ω 1/16W J | 1 | |
| | R2025 | RK73HB1J000J | MG RESISTOR | 0Ω 1/16W J | 1 | |
| | R2026 | RK73GB2A000J | MG RESISTOR | 0Ω 1/10W J | 1 | |
| | R2033 | RK73HB1J103J | MG RESISTOR | 10kΩ 1/16W J | 1 | |
| | R2034 | RK73HB1J222J | MG RESISTOR | 2.2kΩ 1/16W J | 1 | |
| | R2038 | RK73EB2E000J | MG RESISTOR | 0Ω 1/4W J | 1 | |
| | R2040 | RK73GH2A100D | MG RESISTOR | 10Ω 1/10W D | 1 | |
| | R2042 | RK73HB1J303J | MG RESISTOR | 30kΩ 1/16W J | 1 | |
| | R2045 | RK73GB2A000J | MG RESISTOR | 0Ω 1/10W J | 1 | |
| | R2046 | RK73GB2A000J | MG RESISTOR | 0Ω 1/10W J | 1 | |
| | R2047 | RK73GB2A000J | MG RESISTOR | 0Ω 1/10W J | 1 | |
| | R2048 | RK73GB2A000J | MG RESISTOR | 0Ω 1/10W J | 1 | |
| | R2049 | RK73GB2A000J | MG RESISTOR | 0Ω 1/10W J | 1 | |
| | R2050 | RK73GB2A000J | MG RESISTOR | 0Ω 1/10W J | 1 | |
| | R2054 | RK73HB1J000J | MG RESISTOR | 0Ω 1/16W J | 1 | |
| | R2055 | RK73HB1J103J | MG RESISTOR | 10kΩ 1/16W J | 1 | |
| | R2056 | RK73HB1J432J | MG RESISTOR | 4.3kΩ 1/16W J | 1 | |
| | R2057 | RK73HB1J432J | MG RESISTOR | 4.3kΩ 1/16W J | 1 | |
| | R2058 | RK73HB1J103J | MG RESISTOR | 10kΩ 1/16W J | 1 | |
| | R2059 | RK73HB1J103J | MG RESISTOR | 10kΩ 1/16W J | 1 | |
| | R2060 | RK73HB1J103J | MG RESISTOR | 10kΩ 1/16W J | 1 | |
| | R2061 | RK73HB1J432J | MG RESISTOR | 4.3kΩ 1/16W J | 1 | |
| | R2062 | RK73HB1J432J | MG RESISTOR | 4.3kΩ 1/16W J | 1 | |
| | R2063 | RK73HB1J103J | MG RESISTOR | 10kΩ 1/16W J | 1 | |
| | R2064 | RK73HB1J103J | MG RESISTOR | 10kΩ 1/16W J | 1 | |
| | R2065 | RK73HB1J432J | MG RESISTOR | 4.3kΩ 1/16W J | 1 | |
| | R2066 | RK73HB1J432J | MG RESISTOR | 4.3kΩ 1/16W J | 1 | |
| | R2067 | RK73HB1J103J | MG RESISTOR | 10kΩ 1/16W J | 1 | |
| | R2069 | RK73HB1J471J | MG RESISTOR | 470Ω 1/16W J | 1 | |
| | R2070 | RK73HB1J472J | MG RESISTOR | 4.7kΩ 1/16W J | 1 | |
| | R2071 | RK73HB1J472J | MG RESISTOR | 4.7kΩ 1/16W J | 1 | |
| | R2072 | RK73HB1J472J | MG RESISTOR | 4.7kΩ 1/16W J | 1 | |
| | R2073 | RK73GB2A000J | MG RESISTOR | 0Ω 1/10W J | 1 | |
| | R2076 | RK73EB2E000J | MG RESISTOR | 0Ω 1/4W J | 1 | |
| | R2079 | RK73GB2A000J | MG RESISTOR | 0Ω 1/10W J | 1 | |
| | R2082 | RK73GB2A000J | MG RESISTOR | 0Ω 1/10W J | 1 | |
| | R2087 | RK73GB2A000J | MG RESISTOR | 0Ω 1/10W J | 1 | |
| | R2088 | RK73GB2A000J | MG RESISTOR | 0Ω 1/10W J | 1 | |
| | R2089 | RK73HB1J000J | MG RESISTOR | 0Ω 1/16W J | 1 | |
| | R2090 | RK73HB1J000J | MG RESISTOR | 0Ω 1/16W J | 1 | |
| | L411 | LR73Z0AD4R7M | CHIP INDUCTOR | 4.7μH | 1 | |

| MODEL | MARK | MODEL | MARK | MODEL | MARK | MODEL | MARK |
|------------|------|------------|------|------------|------|-------------|------|
| KDC-BT265U | K0 | KDC-BT500U | M3 | KDC-BT500U | E2 | KDC-MP365BT | K4 |

| Safe | Symbol No. | Parts No. | Parts Name | Description | QTY | Local |
|------|------------------------------------|---------------|-----------------|----------------|-----|-------|
| | L600 | LR73Z0AD4R7M | CHIP INDUCTOR | 4.7uH | 1 | |
| | L601 | LK73G0BE4R7K | M.CHIP INDUCTOR | | 1 | |
| | L602 | LK73G0BER47K | M.CHIP INDUCTOR | | 1 | |
| | L603 | NQLM93K-R10X | INDUCTOR | 0.1uH K | 1 | |
| | L604 | LK73G0BE1R0K | M.CHIP INDUCTOR | | 1 | |
| | L605 | LK73G0BER22K | M.CHIP INDUCTOR | | 1 | |
| | L606 | LK73G0BER12K | M.CHIP INDUCTOR | | 1 | |
| | L607 | LK73G0BER15K | M.CHIP INDUCTOR | | 1 | |
| | L701 | LR73Z0AD4R7M | CHIP INDUCTOR | 4.7uH | 1 | |
| | L702 | NQR0713-001X | FERRITE BEADS | | 1 | |
| | L703 | LB73H0AY-004 | CHIP FERRITE | | 1 | |
| | L704 | NQR0713-001X | FERRITE BEADS | | 1 | |
| | L705 | NQR0713-001X | FERRITE BEADS | | 1 | |
| | L706 | LB73H0CT-002 | CHIP FERRITE | | 1 | |
| | L707 | LB73H0CT-002 | CHIP FERRITE | | 1 | |
| | L811 | LB73H0AY-004 | CHIP FERRITE | | 1 | |
| | L821 | LB73G0BK-006 | CHIP FERRITE | | 1 | |
| | L822 | LB73H0CT-002 | CHIP FERRITE | | 1 | |
| | L824 | LB73H0CT-002 | CHIP FERRITE | | 1 | |
| | L825 | LB73H0CT-002 | CHIP FERRITE | | 1 | |
| | L826 | LB73H0CT-002 | CHIP FERRITE | | 1 | |
| | L827 | LB73H0CT-002 | CHIP FERRITE | | 1 | |
| | L828 | LB73H0CT-002 | CHIP FERRITE | | 1 | |
| | L829 | LB73H0CT-002 | CHIP FERRITE | | 1 | |
| | L830 | LB73G0BK-006 | CHIP FERRITE | | 1 | |
| | L831 | NQR0713-001X | FERRITE BEADS | | 1 | |
| | L863 | NQLL6EM-100X | INDUCTOR | 10uH M | 1 | |
| | L864 | NQLL65M-4R7X | INDUCTOR | 4.7uH M | 1 | |
| | L990 | QQR1927-001 | CHOKE COIL | | 1 | |
| | L2000 | LB73H0CT-002 | CHIP FERRITE | | 1 | |
| | L2001 | LB73H0CT-002 | CHIP FERRITE | | 1 | |
| | L2002 | NQR0593-001X | FERRITE BEADS | | 1 | |
| | L2003 | NQR0593-001X | FERRITE BEADS | | 1 | |
| | L2004 | NQR0593-001X | FERRITE BEADS | | 1 | |
| | L2005 | LR73Z0AD100M | CHIP INDUCTOR | 10uH | 1 | |
| | L2008 | NQR0713-001X | FERRITE BEADS | | 1 | |
| | L2009 | NQR0713-001X | FERRITE BEADS | | 1 | |
| | L2010 | NQR0713-001X | FERRITE BEADS | | 1 | |
| | CN502 | QGF1040F1-26 | FFC/FPC CONNE | FFC/FPC (1-26) | 1 | |
| | CN701 | QGZ2006J1-20 | DETACHABLE CONN | (1-20) | 1 | |
| | CN990 | QNZ0607-001 | CAR CONNECTOR | | 1 | |
| △ | F1 | F53-0513-08 | PATTERN FUSE | 4A | 1 | |
| △ | F2 | F53-0513-08 | PATTERN FUSE | 4A | 1 | |
| △ | F3 | FZA10BH-2R5 | FUSE (CC) | | 1 | |
| | J220 | E1B-0013-00 | 3.5D PHONE JACK | | 1 | |
| | J321 | QNN0868-001 | PIN JACK | | 1 | K0,K4 |
| | J321 | QNN0874-001 | PIN JACK | | 1 | M3,E2 |
| | J600 | QNB0356-001 | ANT TERMINAL | | 1 | |
| | S830 | QSW0648-001Z | TACT SWITCH | | 1 | |
| | VA600 | NAF0024-001X | ESD SUPPRESSOR | | 1 | |
| | VA703 | F0K-0010-00 | SURGE ABSORBER | | 1 | |
| | VA705 | F0K-0010-00 | SURGE ABSORBER | | 1 | |
| | X600 | QAX0969-001Z | CRYSTAL | | 1 | |
| | X701 | L7J-0092-00 | QUARTZ CRYSTAL | | 1 | |
| | X702 | NAX1256-001X | CRYSTAL | | 1 | |
| | SWITCH PWB ASSY (XJ6-059x-xx) <02> | | | | | |
| | IC1 | BU97520AKV-M | MOS IC | | 1 | |
| | IC90 | SIR8630B6T | IR DETECT UNIT | | 1 | K0,K4 |
| | Q1 | LSCR523UBFS8 | TRANSISTOR | | 1 | |
| | Q51 | LSCR523EBFS8 | TRANSISTOR | | 1 | |
| | Q52 | LSCR523UBFS8 | TRANSISTOR | | 1 | K4 |
| | D1 | DZ2J056M | ZENER DIODE | | 1 | |
| | D2 | MBRX130 | SCHOTTKY DIODE | | 1 | |
| | D20 | SML-D12V8WT | LED | | 1 | |
| | D21 | ASMPCW1ZCEB2 | LED | | 1 | K0 |
| | D21 | LRT67DU1V211 | LED | | 1 | M3,E2 |
| | D21 | ASMTUBB5ZT3Y2 | LED | | 1 | K4 |
| | D22 | ASMPCW1ZCEB2 | LED | | 1 | K0 |
| | D22 | LRT67DU1V211 | LED | | 1 | M3,E2 |
| | D22 | ASMTUBB5ZT3Y2 | LED | | 1 | K4 |
| | D23 | ASMPCW1ZCEB2 | LED | | 1 | K0 |
| | D23 | LRT67DU1V211 | LED | | 1 | M3,E2 |
| | D23 | ASMTUBB5ZT3Y2 | LED | | 1 | K4 |
| | D24 | ASMPCW1ZCEB2 | LED | | 1 | K0 |
| | D25 | QSMR-C13SBCMN | LED | | 1 | K4 |
| | D26 | QSMR-C13SBCMN | LED | | 1 | K4 |
| | D49 | NHSW157B | LED | | 1 | |
| | D80 | DZ2J051M | ZENER DIODE | | 1 | |
| | D81 | DZ2J051M | ZENER DIODE | | 1 | |
| | C1 | CK73GXR1C105K | C CAPACITOR | 1uF 16V K | 1 | |
| | C4 | CK73GXR1C105K | C CAPACITOR | 1uF 16V K | 1 | |
| | C5 | CK73GXR1C105K | C CAPACITOR | 1uF 16V K | 1 | |
| | C6 | CK73EXR1C106K | C CAPACITOR | 10uF 16V K | 1 | |
| | C7 | CK73GGB1H472K | C CAPACITOR | 4700pF 50V K | 1 | |
| | C60 | CK73GGB1H102K | C CAPACITOR | 1000pF 50V K | 1 | |
| | C61 | CK73GGB1H102K | C CAPACITOR | 1000pF 50V K | 1 | |
| | C80 | CC73GCH1H270J | C CAPACITOR | 27pF 50V J | 1 | |
| | C81 | CC73GCH1H270J | C CAPACITOR | 27pF 50V J | 1 | |
| | C82 | CK73EXR1C106K | C CAPACITOR | 10uF 16V K | 1 | |
| | C83 | CK73GGB1H471K | C CAPACITOR | 470pF 50V K | 1 | |
| | C84 | CK73GGB1H472K | C CAPACITOR | 4700pF 50V K | 1 | |
| | C85 | CK73GGB1H471K | C CAPACITOR | 470pF 50V K | 1 | |
| | C86 | CK73GGB1H472K | C CAPACITOR | 4700pF 50V K | 1 | |
| | C91 | CK73GXR1A105K | C CAPACITOR | 1uF 10V K | 1 | K0,K4 |

| MODEL | MARK | MODEL | MARK | MODEL | MARK | MODEL | MARK |
|------------|------|------------|------|------------|------|-------------|------|
| KDC-BT265U | K0 | KDC-BT500U | M3 | KDC-BT500U | E2 | KDC-MP365BT | K4 |

| Safe | Symbol No. | Parts No. | Parts Name | Description | QTY | Local |
|---|------------|---------------|-----------------|---------------|-----|----------|
| | R1 | RK73GB2A101J | MG RESISTOR | 100Ω 1/10W J | 1 | |
| | R3 | RK73GB2A471J | MG RESISTOR | 470Ω 1/10W J | 1 | |
| | R5 | RK73EB2E331J | MG RESISTOR | 330Ω 1/4W J | 1 | |
| | R6 | RK73GB2A102J | MG RESISTOR | 1kΩ 1/10W J | 1 | |
| | R7 | RK73EB2E000J | MG RESISTOR | 0Ω 1/4W J | 1 | |
| | R20 | RK73GB2A122J | MG RESISTOR | 1.2kΩ 1/10W J | 1 | K0,M3,E2 |
| | R21 | RK73GB2A122J | MG RESISTOR | 1.2kΩ 1/10W J | 1 | K4 |
| | R22 | RK73FB2B821J | MG RESISTOR | 820Ω 1/8W J | 1 | K0,M3,E2 |
| | R22 | RK73FB2B561J | MG RESISTOR | 560Ω 1/8W J | 1 | K4 |
| | R23 | RK73FB2B821J | MG RESISTOR | 820Ω 1/8W J | 1 | K0,M3,E2 |
| | R23 | RK73FB2B561J | MG RESISTOR | 560Ω 1/8W J | 1 | K4 |
| | R24 | RK73EB2E681J | MG RESISTOR | 680Ω 1/4W J | 1 | K0 |
| | R24 | RK73EB2E102J | MG RESISTOR | 1kΩ 1/4W J | 1 | M3,E2 |
| | R24 | RK73EB2E391J | MG RESISTOR | 390Ω 1/4W J | 1 | K4 |
| | R25 | RK73FB2B112J | MG RESISTOR | 1.1kΩ 1/8W J | 1 | K0 |
| | R26 | RK73FB2B561J | MG RESISTOR | 560Ω 1/8W J | 1 | K4 |
| | R48 | RK73EB2E331J | MG RESISTOR | 330Ω 1/4W J | 1 | |
| | R50 | RK73EB2E472J | MG RESISTOR | 4.7kΩ 1/4W J | 1 | K4 |
| | R51 | RK73EB2E682J | MG RESISTOR | 6.8kΩ 1/4W J | 1 | |
| | R60 | RK73FB2B101J | MG RESISTOR | 100Ω 1/8W J | 1 | |
| | R61 | RK73FB2B101J | MG RESISTOR | 100Ω 1/8W J | 1 | |
| | R62 | RK73FB2B4R7J | MG RESISTOR | 4.7Ω 1/8W J | 1 | |
| | R80 | RK73EB2E221J | MG RESISTOR | 220Ω 1/4W J | 1 | |
| | R1001 | RK73GB2A000J | MG RESISTOR | 0Ω 1/10W J | 1 | K0,M3,E2 |
| | R1006 | RK73GB2A000J | MG RESISTOR | 0Ω 1/10W J | 1 | K0,K4 |
| | RA1 | RK74GB1J101J | NET RESISTOR | 100Ω 1/16W J | 1 | |
| | RA2 | RK74GB1J101J | NET RESISTOR | 100Ω 1/16W J | 1 | |
| | RA3 | RK74GB1J101J | NET RESISTOR | 100Ω 1/16W J | 1 | |
| | CN1 | QG22006K1-20X | DETACHABLE CONN | (1-20) | 1 | |
| | FL80 | L7K-0030-00 | FILTER | | 1 | |
| | J60 | QNS0320-001 | 3.5 JACK | | 1 | |
| | J80 | E5J-0069-00 | USB TERMINAL | | 1 | |
| | S20 | T9K-0007-00 | ROTARY ENCODER | | 1 | |
| CD MECHA PWB ASSY (XJD-0030-00) <03> | | | | | | |
| | IC1 | MN6627553APA | IC | | 1 | |
| | IC2 | BD8266EFV-M-X | IC | | 1 | |
| | Q1 | 2SA2188/E-X | TRANSISTOR | | 1 | |
| | C1 | CK73HBB1A104K | C CAPACITOR | 0.1uF 10V K | 1 | |
| | C3 | CK73HBB1A104K | C CAPACITOR | 0.1uF 10V K | 1 | |
| | C4 | CK73HBB1A104K | C CAPACITOR | 0.1uF 10V K | 1 | |
| | C7 | CK73GBB1C334K | C CAPACITOR | 0.33uF 16V K | 1 | |
| | C8 | CK73HBB1H102K | C CAPACITOR | 1000pF 50V K | 1 | |
| | C9 | CK73HBB1C823K | C CAPACITOR | 0.082uF 16V K | 1 | |
| | C10 | CK73HBB1H102K | C CAPACITOR | 1000pF 50V K | 1 | |
| | C11 | CK73HBB1A104K | C CAPACITOR | 0.1uF 10V K | 1 | |
| | C12 | CK73HBB1E153K | C CAPACITOR | 0.015uF 25V K | 1 | |
| | C13 | CC73HCH1H681J | C CAPACITOR | 680pF 50V J | 1 | |
| | C14 | CK73HBB1A104K | C CAPACITOR | 0.1uF 10V K | 1 | |
| | C15 | CK73GXR0J475K | C CAPACITOR | 4.7uF 6.3V K | 1 | |
| | C16 | CK730AU0J105K | C CAPACITOR | 1uF 6.3V K | 1 | |
| | C17 | CK73GBB1C334K | C CAPACITOR | 0.33uF 16V K | 1 | |
| | C18 | CK73HBB1H332K | C CAPACITOR | 3300pF 50V K | 1 | |
| | C19 | CK73HBB1E223K | C CAPACITOR | 0.022uF 25V K | 1 | |
| | C20 | NCB20JK-106X | C CAPACITOR | 10uF 6.3V K | 1 | |
| | C21 | CK73GBB1C334K | C CAPACITOR | 0.33uF 16V K | 1 | |
| | C26 | CK73FXR1C106K | C CAPACITOR | 10uF 16V K | 1 | |
| | C27 | CK73HBB1A104K | C CAPACITOR | 0.1uF 10V K | 1 | |
| | C28 | CK73HBB1A104K | C CAPACITOR | 0.1uF 10V K | 1 | |
| | C50 | CK73HBB1H682K | C CAPACITOR | 6800pF 50V K | 1 | |
| | C51 | CK73HBB1H682K | C CAPACITOR | 6800pF 50V K | 1 | |
| | C52 | CK73HBB1H103K | C CAPACITOR | 0.01uF 50V K | 1 | |
| | C53 | CK73HBB1H103K | C CAPACITOR | 0.01uF 50V K | 1 | |
| | C55 | CK73HBB1A104K | C CAPACITOR | 0.1uF 10V K | 1 | |
| | C60 | CC73HCH1H821J | C CAPACITOR | 820pF 50V J | 1 | |
| | C61 | CC73HCH1H821J | C CAPACITOR | 820pF 50V J | 1 | |
| | C62 | CK73GXR0J106M | C CAPACITOR | 10uF 6.3V M | 1 | |
| | C82 | CC73HCH1H471J | C CAPACITOR | 470pF 50V J | 1 | |
| | C83 | CC73HCH1H120J | C CAPACITOR | 12pF 50V J | 1 | |
| | C84 | CC73HCH1H120J | C CAPACITOR | 12pF 50V J | 1 | |
| | C85 | CK73HBB1A104K | C CAPACITOR | 0.1uF 10V K | 1 | |
| | C244 | CK73GBB1C154K | C CAPACITOR | 0.15uF 16V K | 1 | |
| | R3 | RK73HB1J102J | MG RESISTOR | 1kΩ 1/16W J | 1 | |
| | R4 | RK73HB1J105J | MG RESISTOR | 1MΩ 1/16W J | 1 | |
| | R7 | RK73HB1J272J | MG RESISTOR | 2.7kΩ 1/16W J | 1 | |
| | R8 | RK73HB1J821J | MG RESISTOR | 820Ω 1/16W J | 1 | |
| | R9 | RK73HB1J823J | MG RESISTOR | 82kΩ 1/16W J | 1 | |
| | R10 | RK73FB2B4R7J | MG RESISTOR | 4.7Ω 1/8W J | 1 | |
| | R11 | RK73HB1J472J | MG RESISTOR | 4.7kΩ 1/16W J | 1 | |
| | R12 | RK73HB1J225J | MG RESISTOR | 2.2MΩ 1/16W J | 1 | |
| | R17 | RK73HB1J123J | MG RESISTOR | 12kΩ 1/16W J | 1 | |
| | R18 | RK73HB1J822J | MG RESISTOR | 8.2kΩ 1/16W J | 1 | |
| | R20 | RK73HB1J103J | MG RESISTOR | 10kΩ 1/16W J | 1 | |
| | R21 | RK73HB1J822J | MG RESISTOR | 8.2kΩ 1/16W J | 1 | |
| | R23 | RK73HB1J183J | MG RESISTOR | 18kΩ 1/16W J | 1 | |
| | R24 | RK73HB1J272J | MG RESISTOR | 2.7kΩ 1/16W J | 1 | |
| | R26 | RK73HB1J223J | MG RESISTOR | 22kΩ 1/16W J | 1 | |
| | R28 | RK73HB1J114J | MG RESISTOR | 110kΩ 1/16W J | 1 | |
| | R31 | RK73HB1J821J | MG RESISTOR | 820Ω 1/16W J | 1 | |
| | R32 | RK73HB1J821J | MG RESISTOR | 820Ω 1/16W J | 1 | |
| | R33 | RK73HB1J131J | MG RESISTOR | 130Ω 1/16W J | 1 | |
| | R37 | RK73HB1J103J | MG RESISTOR | 10kΩ 1/16W J | 1 | |
| | R44 | RK73HB1J101J | MG RESISTOR | 100Ω 1/16W J | 1 | |

| | | | | | | | |
|------------|------|------------|------|------------|------|-------------|------|
| MODEL | MARK | MODEL | MARK | MODEL | MARK | MODEL | MARK |
| KDC-BT265U | K0 | KDC-BT500U | M3 | KDC-BT500U | E2 | KDC-MP365BT | K4 |

| Safe | Symbol No. | Parts No. | Parts Name | Description | QTY | Local |
|------|------------|---------------|---------------|----------------|-----|-------|
| | R47 | RK73HB1J101J | MG RESISTOR | 100Ω 1/16W J | 1 | |
| | R305 | RK73HB1J101J | MG RESISTOR | 100Ω 1/16W J | 1 | |
| | RA1 | RK74HB1J562J | NET RESISTOR | 5.6kΩ 1/16W J | 1 | |
| | RA2 | RK74HB1J101J | NET RESISTOR | 100Ω 1/16W J | 1 | |
| | L1 | LB73G0BF-002 | CHIP FERRITE | | 1 | |
| | L2 | LB73H0AY-004 | CHIP FERRITE | | 1 | |
| | L3 | LB73H0AY-004 | CHIP FERRITE | | 1 | |
| | CN1 | QGF1044F2-26X | FFC/FPC CONNE | FFC/FPC (1-26) | 1 | |
| | CN2 | QGF0522F6-15W | FFC/FPC CONNE | FFC/FPC (1-15) | 1 | |
| | S1 | NSW0291-001X | DETECT SWITCH | | 1 | |
| | S2 | NSW0291-001X | DETECT SWITCH | | 1 | |
| | S3 | NSW0313-001X | DETECT SWITCH | | 1 | |
| | X1 | NAX1158-001X | CRYSTAL | | 1 | |