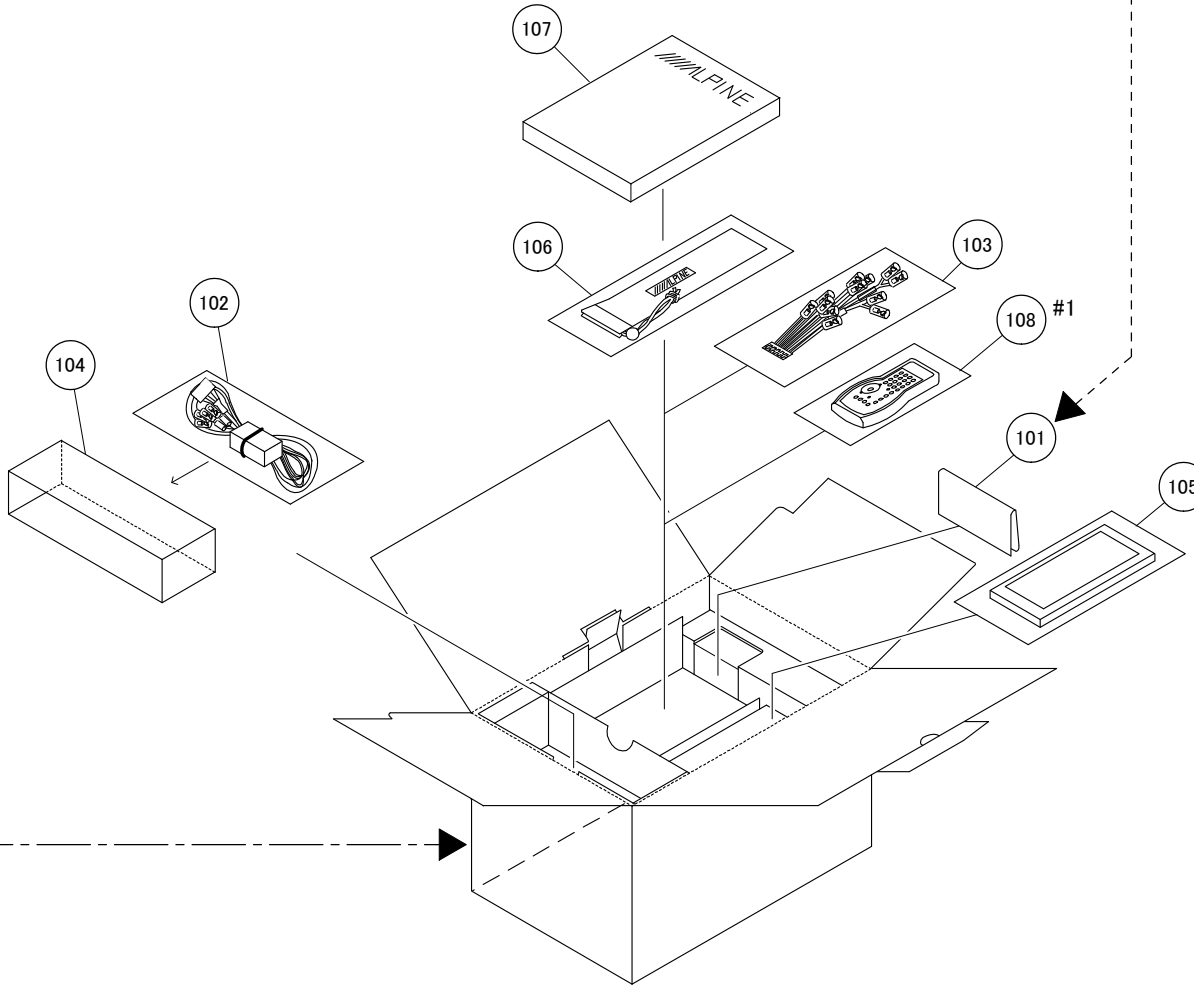
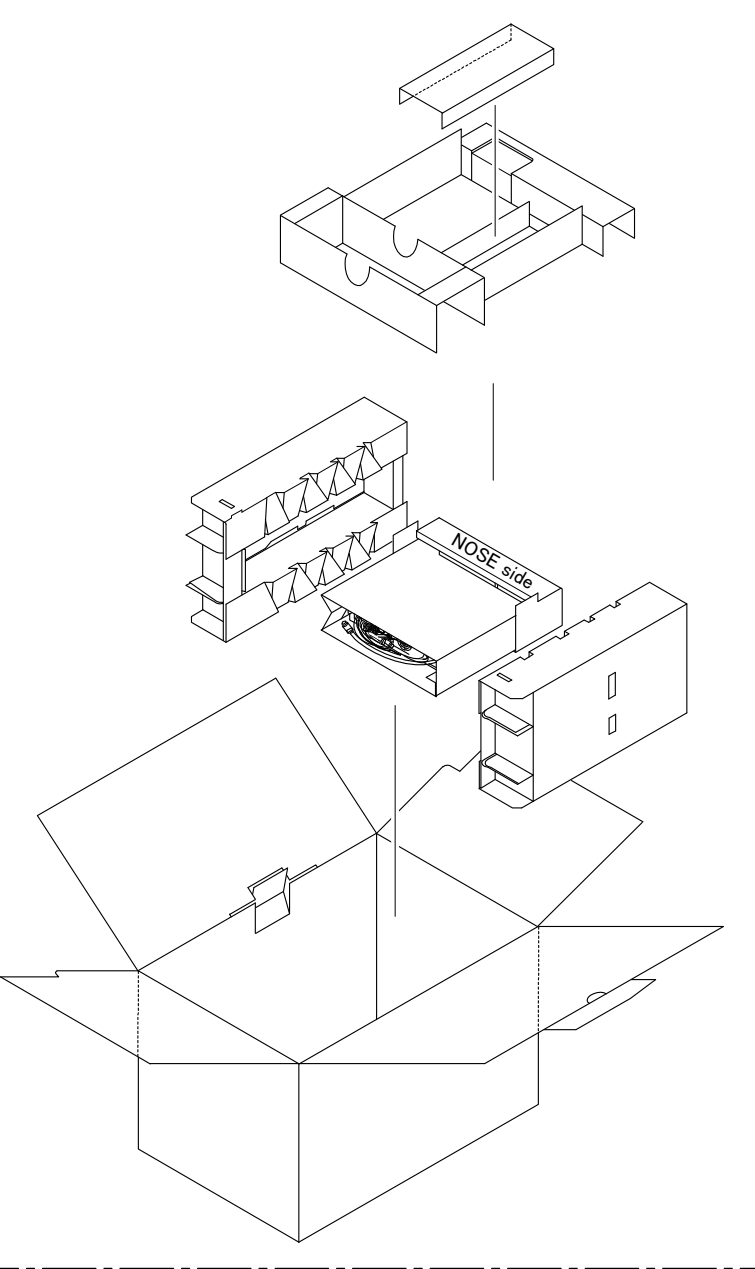
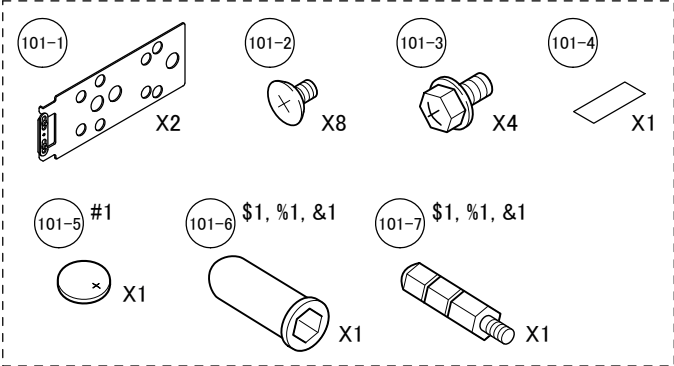


Packing Method View

NOTE : #1 : IVA-D105 (North American) Only,
 \$1 : IVA-D105E (General Foreign/Region3) Only,
 %1 : IVA-D105E (General Foreign/Region4) Only,
 &1 : IVA-D105E (Chinese) Only,
 Others : Common.



MODEL	Symbol No.	Parts No.	Description
	101-1	07T75070W01	BKT,STOPPER ASSY
	101-2	03A31982Y01	SCR,M4X5 FLAT A
	101-3	03B44963F07	SCR,MCH M4X6 A
	101-4	14S70565Y64	INS,CVR 13X2.4XT1.0
#1	101-5	60S70585F01	BAT,LIT.3V (CR2025)
\$1	101-6	36A11113W01	CAP,RUBBER(A)
%1	101-6	36A11113W01	CAP,RUBBER(A)
&1	101-6	36A11113W01	CAP,RUBBER(A)
\$1	101-7	03A60836Y01	SCR,CUS 5X7 ZN A
%1	101-7	03A60836Y01	SCR,CUS 5X7 ZN A
&1	101-7	03A60836Y01	SCR,CUS 5X7 ZN A
#1	102	09-07858Z01	ASSY,EDA0118A
\$1	102	09-07859Z01	ASSY,EDA0119A
%1	102	09-07859Z01	ASSY,EDA0119A
&1	102	09-07859Z01	ASSY,EDA0119A
	103	09-09872Z01	ASSY,EDA0013A
	104	15D61379Y01	CASE,INNER
	105	33-09705Z01	FACE,PLATE
	106	15B41543Y01	CARRING,BAG
#1	107	68-08564Z59	O/M AOAM AODL
\$1	107	68-08564Z61	O/M AAO AODL
%1	107	68-08564Z61	O/M AAO AODL
&1	107	68-08564Z64	O/M AOCH AODL
#1	108	97-02173Z01	ASSY,SBNN00003A

Mark Model Code

#1 IVA-D105(North American) Only,

\$1 IVA-D105E(General Foreign)(Region3) Only,

%1 IVA-D105E(General Foreign)(Region4) Only,

&1 IVA-D105E(Chinese) Only,

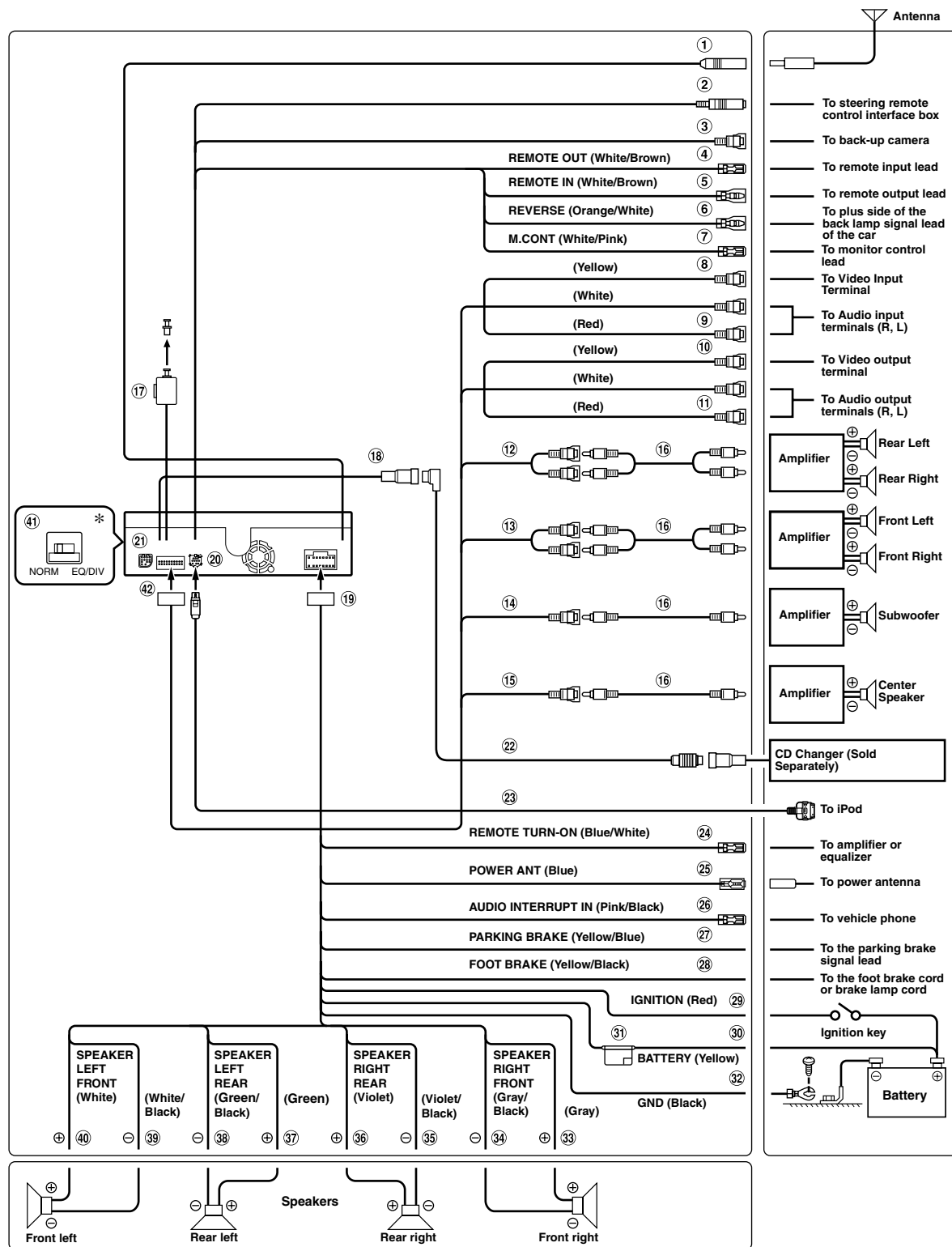
Others:Common.

NOTE:The part that has not PART NUMBER will not be supplied.

System Connection

(1) IVA-D105 Model Only

Connections

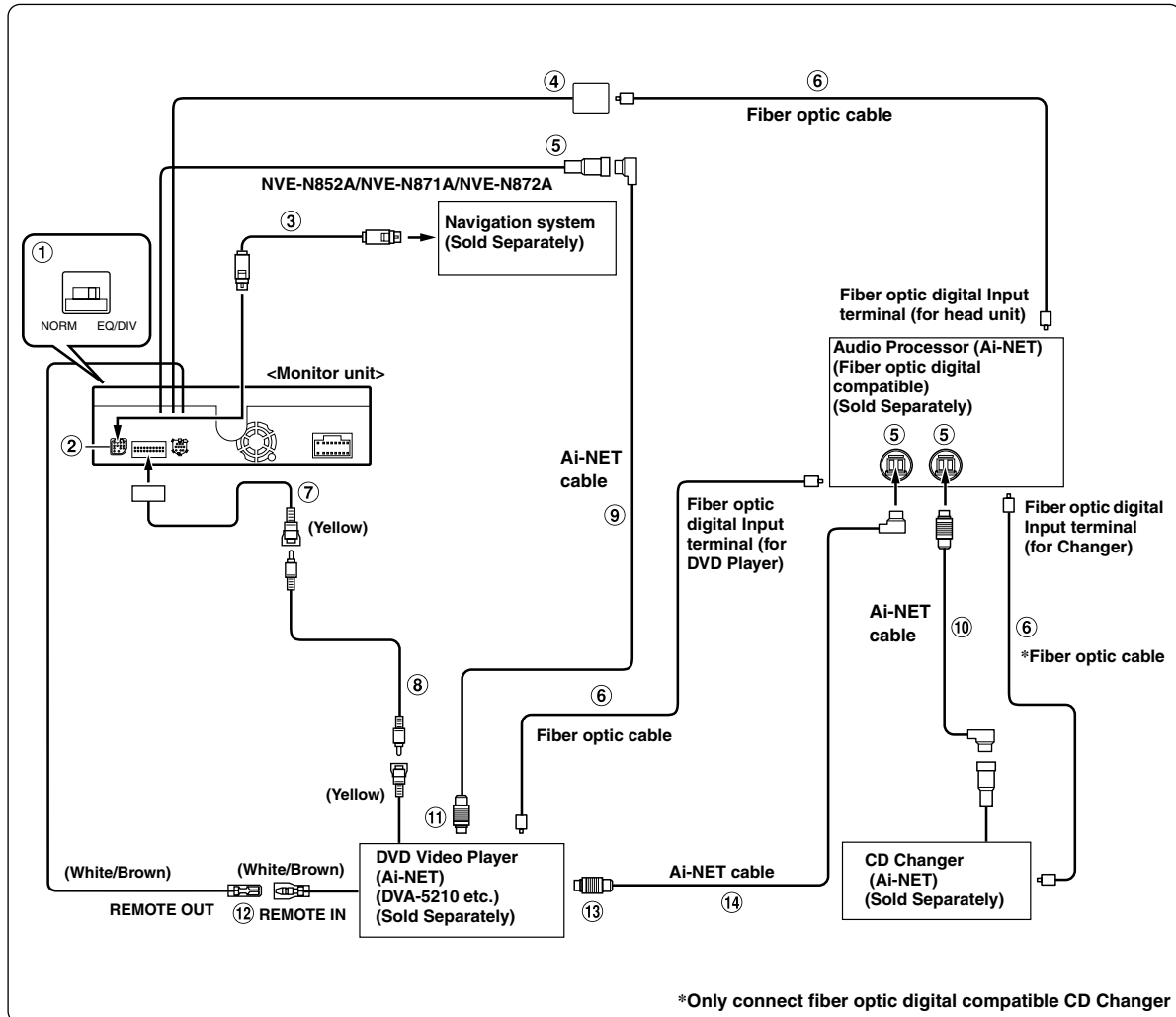


- Set the system switch to "NORM" when only a changer is connected (when the Ai-NET compatible equalizer is not used).
- * The system switch is located on the right of the unit (if the front panel is viewed from the front).

- ① **Antenna Receptacle**
- ② **Steering Remote Control Interface Connector**
To steering remote control interface box.
For details about connections, consult your nearest Alpine dealer.
- ③ **CAMERA Input Terminal**
Use when connecting a back-up camera.
- ④ **Remote Control Output Lead (White/Brown)**
Connect this lead to the remote control input lead. This lead outputs the controlling signals from the remote control.
- ⑤ **Remote Control Input Lead (White/Brown)**
Connect the external Alpine product to the remote control output lead.
- ⑥ **Reverse Lead (Orange/White)**
Use only when a back-up camera is connected. Connect to the plus side of the car's reverse lamp that lights when the transmission is shifted into reverse (R).
Switches the video picture to the back-up camera. This is linked with putting the car into reverse (R).
- ⑦ **Monitor Control Lead (White/Pink)**
Connect this to the Monitor Control Lead of the touch panel-compatible rear monitor.
- ⑧ **Video Output Connector (AUX OUTPUT) (Yellow)**
Output the video.
- ⑨ **Audio Output Connectors (AUX OUTPUT)**
RED is right and WHITE is left output the audio.
- ⑩ **Video Input Connector (AUX INPUT) (Yellow)**
Input the video.
- ⑪ **Audio Input Connectors (AUX INPUT)**
RED is right and WHITE is left input the audio.
- ⑫ **Rear Output RCA Connectors**
RED is right and WHITE is left.
- ⑬ **Front Output RCA Connectors**
RED is right and WHITE is left.
- ⑭ **Subwoofer Output RCA Connector**
- ⑮ **Center RCA Connector**
- ⑯ **RCA Extension Cable (sold separately)**
- ⑰ **Digital Output Terminal (Optical)**
Use when combining fiber optic digital input compatible products.
- ⑱ **Ai-NET Connector**
Connect this to the output or input connector of another device (CD Changer, Equalizer, HD Radio™ TUNER MODULE, etc.) equipped with Ai-NET.
 - You can input TV/video sound by connecting an optional Ai-NET/RCA Interface cable (KCA-121B) to this component.
- ⑲ **Power Supply Connector**
- ⑳ **iPod Direct Connector.**
iPod control signals.
Connect this to an iPod or an optional Bluetooth Box, using the FULL SPEED™ Connection Cable (KCE-422i) (sold separately).
To use a hands-free mobile phone, an optional Bluetooth Box connection is required. For details on connection, refer to the Owner's Manual of the Bluetooth Box.
- ㉑ **RGB Input Terminal**
Connect this to the RGB output terminal of the Navigation System.
- ㉒ **Ai-NET Cable (Included with CD Changer)**
- ㉓ **FULL SPEED™ Connection Cable (KCE-422i) (sold separately)**
- ㉔ **Remote Turn-On Lead (Blue/White)**
Connect this lead to the remote turn-on lead of your amplifier or signal processor.
- ㉕ **Power Antenna Lead (Blue)**
Connect this lead to the +B terminal of your power antenna, if applicable.
 - This lead should be used only for controlling the vehicle's power antenna. Do not use this lead to turn on an amplifier or a signal processor, etc.
- ㉖ **Audio Interrupt In Lead (Pink/Black)**
- ㉗ **Parking Brake Lead (Yellow/Blue)**
Connect this lead to the power supply side of the parking brake switch to transmit the parking brake status signals to the IVA-D105.
- ㉘ **Foot Brake Lead (Yellow/Black)**
Connect to the vehicle's foot brake lead or brake lamp lead.
- ㉙ **Switched Power Lead (Ignition) (Red)**
Connect this lead to an open terminal on the vehicle's fuse box or another unused power source which provides (+) 12V only when the ignition is turned on or in the accessory position.
- ㉚ **Battery Lead (Yellow)**
Connect this lead to the positive (+) post of the vehicle's battery.
- ㉛ **Fuse Holder (10A)**
- ㉜ **Ground Lead (Black)**
Connect this lead to a good chassis ground on the vehicle. Make sure the connection is made to bare metal and is securely fastened using the sheet metal screw provided.
- ㉝ **Right Front (+) Speaker Output Lead (Gray)**
- ㉞ **Right Front (-) Speaker Output Lead (Gray/Black)**
- ㉟ **Right Rear (-) Speaker Output Lead (Violet/Black)**
- ㊱ **Right Rear (+) Speaker Output Lead (Violet)**
- ㊲ **Left Rear (+) Speaker Output Lead (Green)**
- ㊳ **Left Rear (-) Speaker Output Lead (Green/Black)**
- ㊴ **Left Front (-) Speaker Output Lead (White/Black)**
- ㊵ **Left Front (+) Speaker Output Lead (White)**
- ㊶ **System Switch**
When connecting an equalizer or divider using Ai-NET feature, place this switch in the EQ/DIV position. When no device is connected, leave the switch in the NORM position.
 - Be sure to turn the power off to the unit before changing the switch position.
- ㊷ **AV Connector**

System Example

Connect the Ai-NET compatible audio processor (Fiber optic digital compatible), Navigation system, DVD player and changer.



- When the fiber optic compatible product is connected, it is necessary to set the mode of this unit.
- When the NVA-N751AS is connected for the Navigation System, use the RGB conversion cable KWE-503N (Sold separately).

Please observe the following when using Fiber Optic Cable.

- Do not coil the Fiber Optic Cable smaller than a 30 mm radius.
- Do not place anything on top of the Fiber Optic Cable.
- Be careful not to bend the Fiber Optic Cable at a sharp angle.

① **System Switch**

When connecting an equalizer or divider using Ai-NET feature, place this switch in the EQ/DIV position. When no device is connected, leave the switch in the NORM position.

- *Be sure to turn the power off to the unit before changing the switch position.*

② **RGB Input Terminal**

Connect this to the RGB output terminal of the Navigation System.

③ **RGB Cable (Included with NVE-N852A/NVE-N872A, not included with NVE-N871A)**

④ **Digital Output Terminal**

⑤ **Ai-NET Connector**

Connect this to the output or input connector of other product equipped with Ai-NET.

⑥ **Fiber optic Cable (Sold Separately)**

⑦ **Video Input Connector (AUX INPUT) (Yellow)**

Connect the video output lead of a DVD video player or DVD changer to this terminal.

⑧ **RCA Extension Cable (Included with DVD video player)**

⑨ **Ai-NET Cable (Included with DVD video player)**

⑩ **Ai-NET Cable (Included with CD Changer)**

⑪ **To Ai-NET Connector (Gray)**

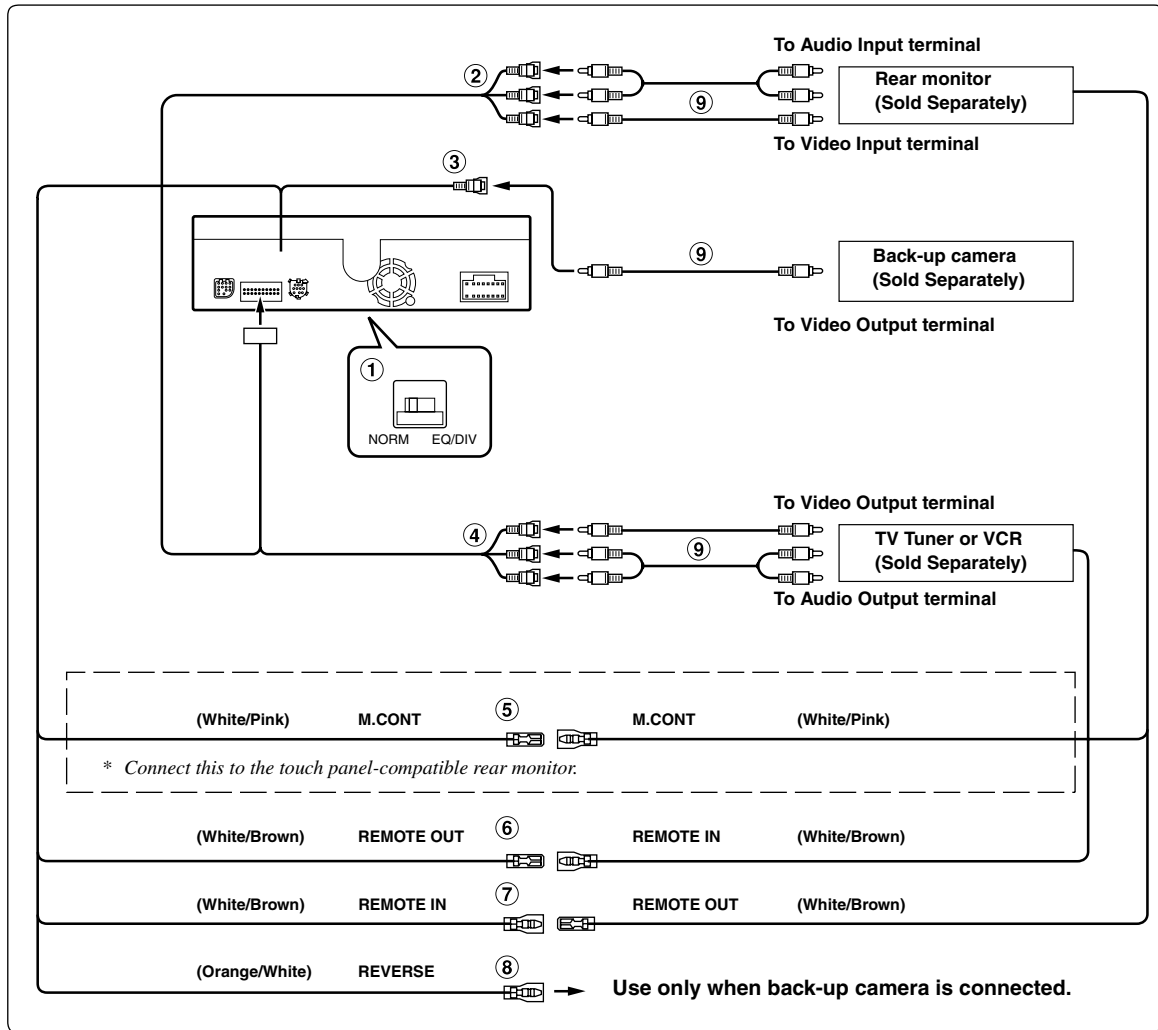
⑫ **Remote Control Output Lead (White/Brown)**

Connect this lead to the remote control input lead. This lead outputs the controlling signals from the remote control.

⑬ **To Ai-NET Connector (Black)**

⑭ **Ai-NET Cable (Included with Audio Processor)**

When Connecting External Equipment



① System Switch

When connecting an equalizer or divider using Ai-NET feature, place this switch in the EQ/DIV position. When no device is connected, leave the switch in the NORM position.

- Be sure to turn the power off to the unit before changing the switch position.

② Video/Audio Output Connectors (AUX OUTPUT)

Use when connecting an optional monitor etc.

③ CAMERA Input Terminal

Use when connecting a back-up camera.

④ Video/Audio Input Connectors (AUX INPUT)

⑤ Monitor Control Lead (White/Pink)

Connect this to the Monitor Control Lead of the touch panel-compatible rear monitor.

⑥ Remote Control Output Lead (White/Brown)

Connect this lead to the remote control input lead. This lead outputs the controlling signals from the remote control.

⑦ Remote Control Input Lead (White/Brown)

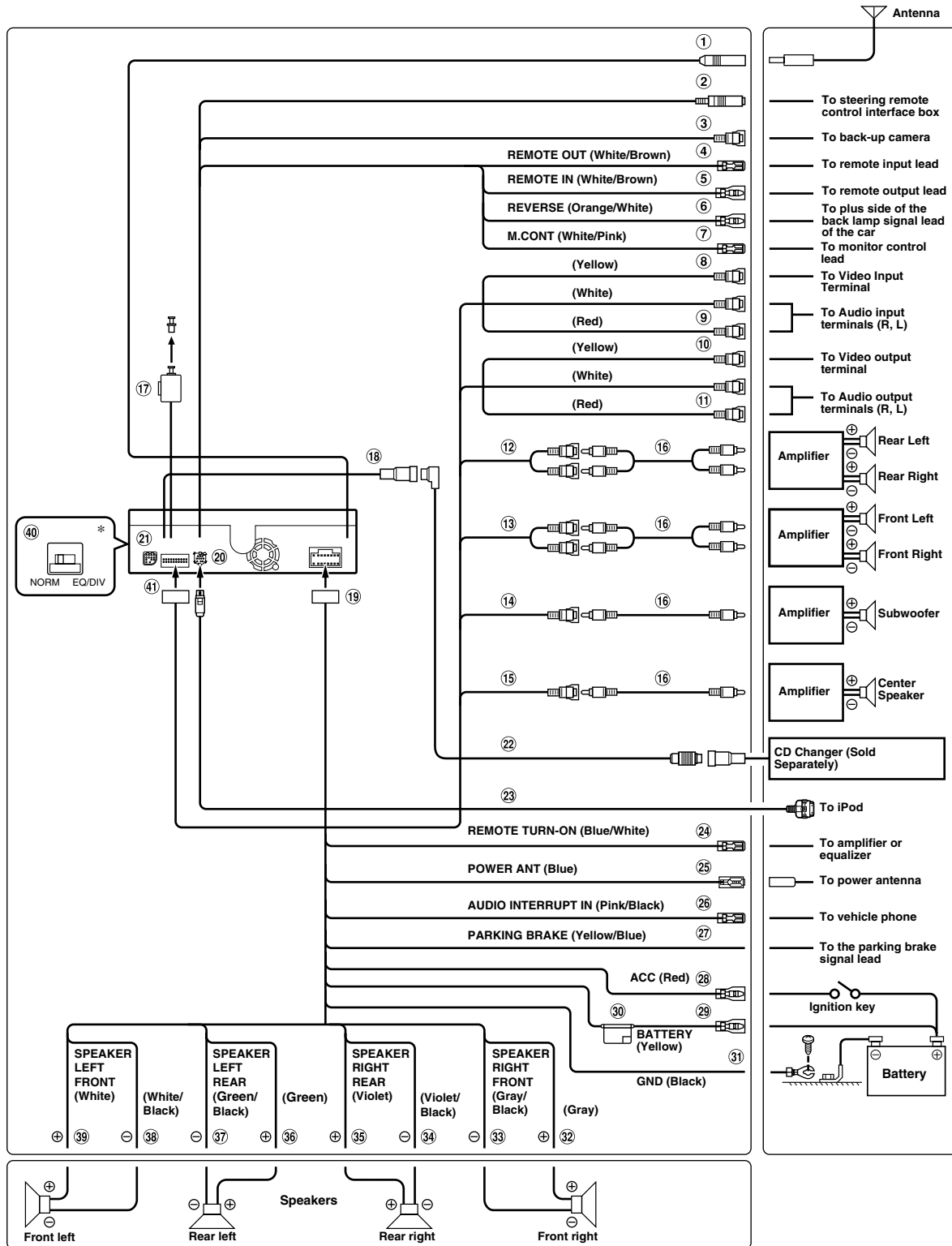
⑧ Reverse Lead (Orange/White)

Connect to the plus side of the car's reverse lamp which lights when the transmission is shifted into reverse (R). Switches the video picture to the back-up camera. This is linked to putting the car into reverse (R).

⑨ RCA Extension Cable (Sold separately)

(2) IVA-D105E Model Only

Connections



• Set the system switch to "NORM" when only a changer is connected (when the Ai-NET compatible equalizer is not used).

* The system switch is located on the right of the unit (if the front panel is viewed from the front).

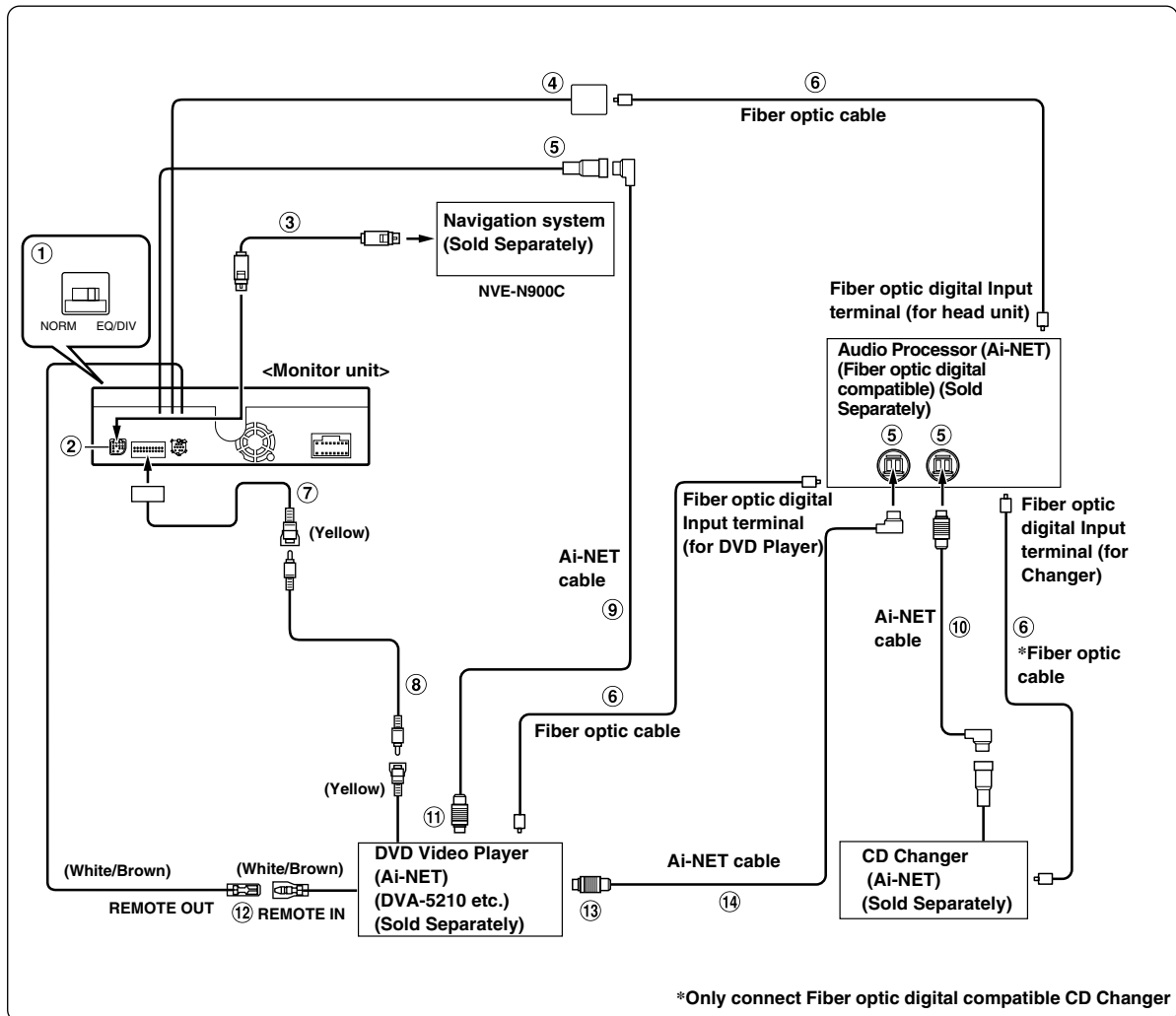
- ① **Antenna Receptacle**
- ② **Steering Remote Control Interface Connector**
To steering remote control interface box.
For details about connections, consult your nearest Alpine dealer.
- ③ **CAMERA Input Terminal**
Use when connecting a back-up camera.
- ④ **Remote Control Output Lead (White/Brown)**
Connect this lead to the remote control input lead. This lead outputs the controlling signals from the remote control.
- ⑤ **Remote Control Input Lead (White/Brown)**
Connect the external Alpine product to the remote control output lead.
- ⑥ **Reverse Lead (Orange/White)**
Use only when a back-up camera is connected. Connect to the plus side of the car's reverse lamp that lights when the transmission is shifted into reverse (R).
Switches the video picture to the back-up camera. This is linked with putting the car into reverse (R).
- ⑦ **Monitor Control Lead (White/Pink)**
Connect this to the Monitor Control Lead of the touch panel-compatible rear monitor.
- ⑧ **Video Output Connector (AUX OUTPUT) (Yellow)**
Output the video.
- ⑨ **Audio Output Connectors (AUX OUTPUT)**
RED is right and WHITE is left output the audio.
- ⑩ **Video Input Connector (AUX INPUT) (Yellow)**
Input the video.
- ⑪ **Audio Input Connectors (AUX INPUT)**
RED is right and WHITE is left input the audio.
- ⑫ **Rear Output RCA Connectors**
RED is right and WHITE is left.
- ⑬ **Front Output RCA Connectors**
RED is right and WHITE is left.
- ⑭ **Subwoofer RCA Connectors**
- ⑮ **Center RCA Connector**
- ⑯ **RCA Extension Cable (sold separately)**
- ⑰ **Digital Output Terminal (Optical)**
Use when combining fiber optic digital input compatible products.
- ⑱ **Ai-NET Connector**
Connect this to the output or input connector of another device (CD Changer, Equalizer, etc.) equipped with Ai-NET.

• *You can input TV/video sound by connecting an optional Ai-NET/ RCA Interface cable (KCA-121B) to this component.*
- ⑲ **Power Supply Connector**
- ⑳ **iPod Direct Connector.**
iPod control signals.
Connect this to an iPod or an optional Bluetooth Box, using the FULL SPEED™ Connection Cable (KCE-422i) (sold separately).
To use a hands-free mobile phone, an optional Bluetooth Box connection is required. For details on connection, refer to the Owner's Manual of the Bluetooth Box.
- ㉑ **RGB Input Terminal**
Connect this to the RGB output terminal of the Navigation System.
- ㉒ **Ai-NET Cable (Included with CD Changer)**
- ㉓ **FULL SPEED™ Connection Cable (KCE-422i) (sold separately)**
- ㉔ **Remote Turn-On Lead (Blue/White)**
Connect this lead to the remote turn-on lead of your amplifier or signal processor.
- ㉕ **Power Antenna Lead (Blue)**
Connect this lead to the +B terminal of your power antenna, if applicable.
• *This lead should be used only for controlling the vehicle's power antenna. Do not use this lead to turn on an amplifier or a signal processor, etc.*
- ㉖ **Audio Interrupt In Lead (Pink/Black)**
- ㉗ **Parking Brake Lead (Yellow/Blue)**
Connect this lead to the power supply side of the parking brake switch to transmit the parking brake status signals to the IVA-D105E.
- ㉘ **Switched Power Lead (Ignition) (Red)**
Connect this lead to an open terminal on the vehicle's fuse box or another unused power source which provides (+) 12V only when the ignition is turned on or in the accessory position.
- ㉙ **Battery Lead (Yellow)**
Connect this lead to the positive (+) post of the vehicle's battery.
- ㉚ **Fuse Holder (10A)**
- ㉛ **Ground Lead (Black)**
Connect this lead to a good chassis ground on the vehicle. Make sure the connection is made to bare metal and is securely fastened using the sheet metal screw provided.
- ㉜ **Right Front (+) Speaker Output Lead (Grey)**
- ㉝ **Right Front (-) Speaker Output Lead (Grey/Black)**
- ㉞ **Right Rear (-) Speaker Output Lead (Violet/Black)**
- ㉟ **Right Rear (+) Speaker Output Lead (Violet)**
- ㊱ **Left Rear (+) Speaker Output Lead (Green)**
- ㊲ **Left Rear (-) Speaker Output Lead (Green/Black)**
- ㊳ **Left Front (-) Speaker Output Lead (White/Black)**
- ㊴ **Left Front (+) Speaker Output Lead (White)**
- ㊵ **System Switch**
When connecting a processor or divider using Ai-NET, place this switch in the EQ/DIV position. When no device is connected, leave the switch in the NORM position.

• *Be sure to turn the power off to the unit before changing the switch position.*
- ㊶ **AV Connector**

System Example

Connect the Ai-NET compatible audio processor (Fiber optic digital compatible), Navigation system, DVD player and changer.



- When the Fiber optic compatible product is connected, it is necessary to set the mode of this unit.

Please observe the following when using Fiber optic Cable.

- Do not coil the Fiber optic Cable smaller than a 30 mm radius.
- Do not place anything on top of the Fiber optic Cable.
- Be careful not to bend the Fiber optic Cable at a sharp angle.

① **System Switch**

When connecting an equalizer or divider using Ai-NET feature, place this switch in the EQ/DIV position. When no device is connected, leave the switch in the NORM position.

- *Be sure to turn the power off to the unit before changing the switch position.*

② **RGB Input Terminal**

Connect this to the RGB output terminal of the Navigation System.

③ **RGB Cable (Included with NVE-N900C)**

④ **Digital Output Terminal**

⑤ **Ai-NET Connector**

Connect this to the output or input connector of other product equipped with Ai-NET.

⑥ **Fiber optic Cable (Sold Separately)**

⑦ **Video Input Connector (AUX INPUT) (Yellow)**

Connect the video output lead of a DVD video player or DVD changer to this terminal.

⑧ **RCA Extension Cable (Included with DVD video player)**

⑨ **Ai-NET Cable (Included with DVD video player)**

⑩ **Ai-NET Cable (Included with CD Changer)**

⑪ **To Ai-NET Connector (Grey)**

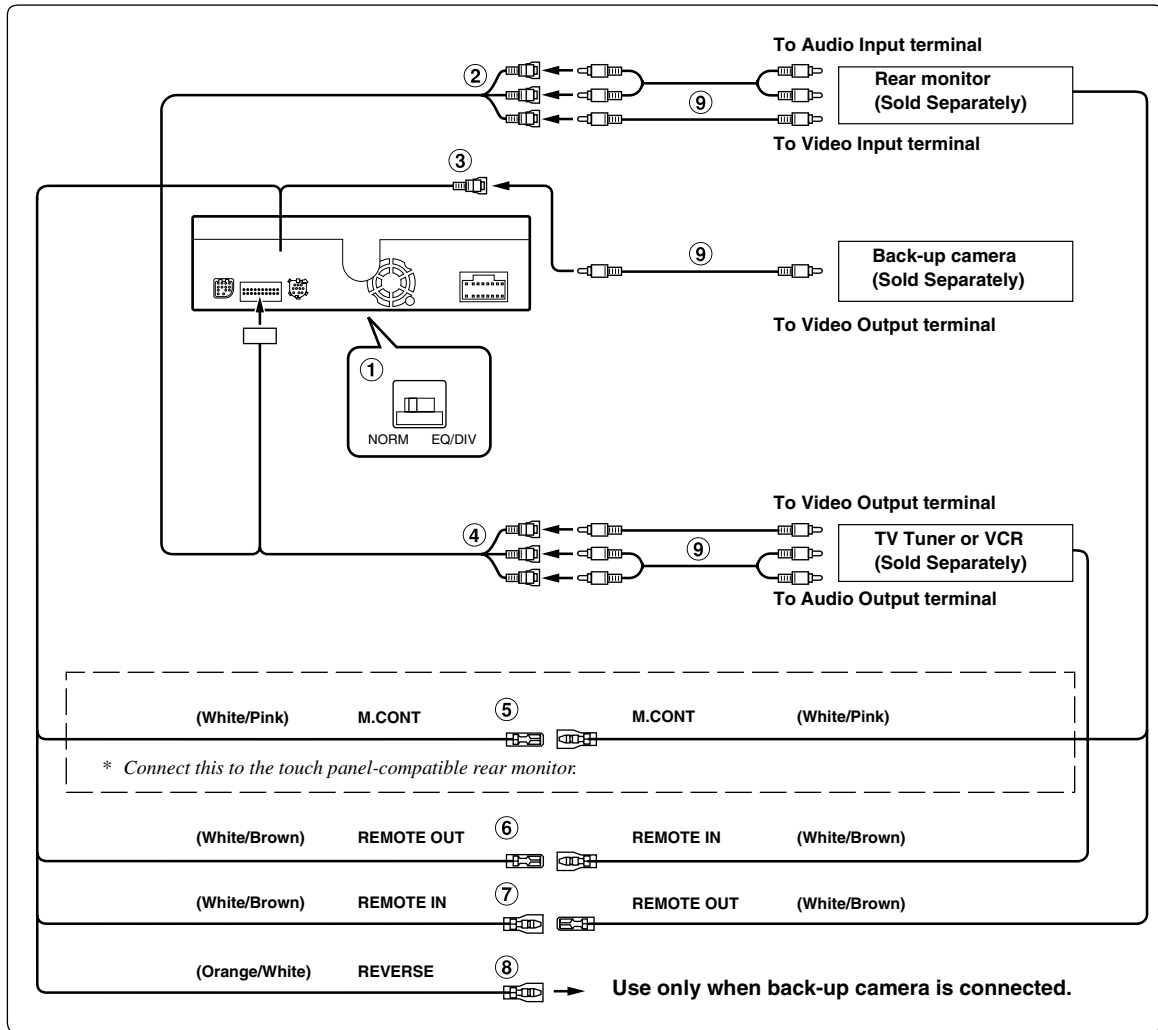
⑫ **Remote Control Output Lead (White/Brown)**

Connect this lead to the remote control input lead. This lead outputs the controlling signals from the remote control.

⑬ **To Ai-NET Connector (Black)**

⑭ **Ai-NET Cable (Included with Audio Processor)**

When Connecting External Equipment



① System Switch

When connecting an equalizer or divider using Ai-NET feature, place this switch in the EQ/DIV position. When no device is connected, leave the switch in the NORM position.

- Be sure to turn the power off to the unit before changing the switch position.

② Video/Audio Output Connectors (AUX OUTPUT)

Use when connecting an optional monitor etc.

③ CAMERA Input Terminal

Use when connecting a back-up camera.

④ Video/Audio Input Connectors (AUX INPUT)

⑤ Monitor Control Lead (White/Pink)

Connect this to the Monitor Control Lead of the touch panel-compatible rear monitor.

⑥ Remote Control Output Lead (White/Brown)

Connect this lead to the remote control input lead. This lead outputs the controlling signals from the remote control.

⑦ Remote Control Input Lead (White/Brown)

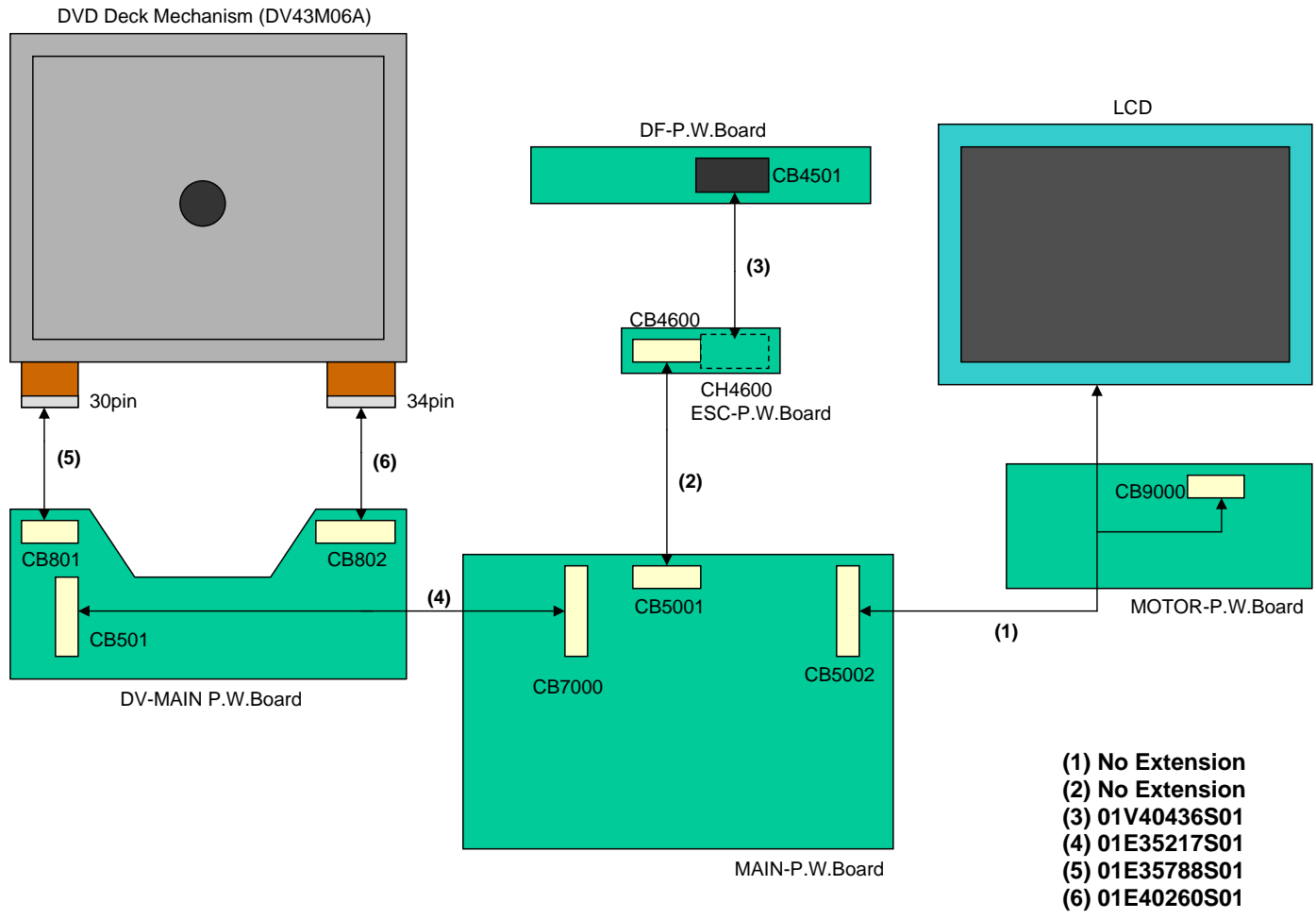
⑧ Reverse Lead (Orange/White)

Connect to the plus side of the car's reverse lamp which lights when the transmission is shifted into reverse (R). Switches the video picture to the back-up camera. This is linked to putting the car into reverse (R).


⑨ RCA Extension Cable (Sold separately)

Extension Cable

*Always connect the Extension Cable when making checks of voltage and repair.



P.W.Board	MIS	MODEL	Ref.	Parts No.	Parts Name
-----------	-----	-------	------	-----------	------------

MAIN-P.W.Board			ANT001	01T02127K14	ASSY,ANT CABLE D105
MAIN-P.W.Board			BZ5000	50T15447Y02	BUZZER,PKM13EPY -R5
MAIN-P.W.Board			C1001	08S45676W85	CAP,CER 104K-B1C -CP
MAIN-P.W.Board			C1002	08S45676W85	CAP,CER 104K-B1C -CP
MAIN-P.W.Board			C1003	08S45676W85	CAP,CER 104K-B1C -CP
MAIN-P.W.Board			C1004	08S82122F32	CAP,CER.62RJ-CH1H-CP
MAIN-P.W.Board			C1005	08S82122F27	CAP,CER.39RJ-CH1H-CP
MAIN-P.W.Board			C1006	08S45677W60	CAP,CER 102J-CH1H-CP
MAIN-P.W.Board			C1007	08S45677W60	CAP,CER 102J-CH1H-CP
MAIN-P.W.Board			C1008	08S45676W85	CAP,CER 104K-B1C -CP
MAIN-P.W.Board			C1009	08S82122F19	CAP,CER.18RJ-CH1H-CP
MAIN-P.W.Board			C1010	08S65670Y04	CAP,CER 475KX5R1E-CP
MAIN-P.W.Board			C1014	08S45676W80	CAP,CER 223K-B1E -CP
MAIN-P.W.Board			C1015	08S45676W80	CAP,CER 223K-B1E -CP
MAIN-P.W.Board			C1016	08S65128F69	CAP,CER.103K-B1H -CP
MAIN-P.W.Board			C1017	08T65463Y02	CAP,CER 334K-B1H -CP
MAIN-P.W.Board			C1018	08S45676W85	CAP,CER 104K-B1C -CP
MAIN-P.W.Board			C2000	08T81833F11	CAP,CER 225K-B1C -CP
MAIN-P.W.Board			C2001	08S60102F48	CAP,CER 105K-B1E -CP
MAIN-P.W.Board			C2002	08T81833F11	CAP,CER 225K-B1C -CP
MAIN-P.W.Board			C2003	08S60102F48	CAP,CER 105K-B1E -CP
MAIN-P.W.Board			C2004	08S60102F48	CAP,CER 105K-B1E -CP
MAIN-P.W.Board			C2005	08S60102F48	CAP,CER 105K-B1E -CP
MAIN-P.W.Board			C2006	08S60102F48	CAP,CER 105K-B1E -CP
MAIN-P.W.Board			C2007	08S60102F48	CAP,CER 105K-B1E -CP
MAIN-P.W.Board			C2008	08S60102F48	CAP,CER 105K-B1E -CP
MAIN-P.W.Board			C2009	08S60102F48	CAP,CER 105K-B1E -CP
MAIN-P.W.Board			C2010	08T81833F11	CAP,CER 225K-B1C -CP
MAIN-P.W.Board			C2011	08T81833F11	CAP,CER 225K-B1C -CP
MAIN-P.W.Board			C2012	08T81833F11	CAP,CER 225K-B1C -CP
MAIN-P.W.Board			C2013	08T81833F11	CAP,CER 225K-B1C -CP
MAIN-P.W.Board			C2014	08T81833F11	CAP,CER 225K-B1C -CP
MAIN-P.W.Board			C2015	08T81833F11	CAP,CER 225K-B1C -CP
MAIN-P.W.Board			C2016	08T81833F11	CAP,CER 225K-B1C -CP
MAIN-P.W.Board			C2017	08T81833F11	CAP,CER 225K-B1C -CP
MAIN-P.W.Board			C2018	08T81833F11	CAP,CER 225K-B1C -CP
MAIN-P.W.Board			C2019	08S45677W25	CAP,CER 36RJ-CH1H-CP
MAIN-P.W.Board			C2020	08S45677W25	CAP,CER 36RJ-CH1H-CP
MAIN-P.W.Board			C2021	08S45676W80	CAP,CER 223K-B1E -CP
MAIN-P.W.Board			C2022	08S45676W80	CAP,CER 223K-B1E -CP
MAIN-P.W.Board			C2023	08S65674Y03	CAP,CER 225KX5R1A-CP
MAIN-P.W.Board			C2024	08S65674Y03	CAP,CER 225KX5R1A-CP
MAIN-P.W.Board			C2100	08S65667Y02	CAP,CER 334KX5R1A-CP
MAIN-P.W.Board			C2101	08S65667Y02	CAP,CER 334KX5R1A-CP

Mark Model Code

#1 IVA-D105(North American) Only,

\$1 IVA-D105E(General Foreign)(Region3) Only,

%1 IVA-D105E(General Foreign)(Region4) Only,

&1 IVA-D105E(Chinese) Only,

Others:Common.

NOTE:The part that has not PART NUMBER will not be supplied.

P.W.Board	MIS	MODEL	Ref.	Parts No.	Parts Name
-----------	-----	-------	------	-----------	------------

MAIN-P.W.Board			C2102	08S65667Y02	CAP,CER 334KX5R1A-CP
MAIN-P.W.Board			C2103	08S65667Y02	CAP,CER 334KX5R1A-CP
MAIN-P.W.Board			C2104	08S35349Y16	CAP,CER 105K-B1A -CP
MAIN-P.W.Board			C2105	08S65128F90	CAP,CER 473K-B1H -CP
MAIN-P.W.Board			C2106	08S35349Y16	CAP,CER 105K-B1A -CP
MAIN-P.W.Board			C2300	08S45676W80	CAP,CER 223K-B1E -CP
MAIN-P.W.Board			C2301	08S65670Y01	CAP,CER 106KX5R1C-CP
MAIN-P.W.Board			C2302	08S35374W12	CAP,CER 106K-B0J -CP
MAIN-P.W.Board			C2303	08S45676W85	CAP,CER 104K-B1C -CP
MAIN-P.W.Board			C2304	08S65667Y05	CAP,CER 105KX5R1A-CP
MAIN-P.W.Board			C2305	08S65667Y05	CAP,CER 105KX5R1A-CP
MAIN-P.W.Board			C2306	08S65128F78	CAP,CER.223K-B1H -CP
MAIN-P.W.Board			C2307	08S35374W12	CAP,CER 106K-B0J -CP
MAIN-P.W.Board			C2308	08S35349Y16	CAP,CER 105K-B1A -CP
MAIN-P.W.Board			C2400	08S65670Y01	CAP,CER 106KX5R1C-CP
MAIN-P.W.Board			C2401	08S35350Y04	CAP,CER 105K-B1C -CP
MAIN-P.W.Board			C2403	08S45677W18	CAP,CER.18RJ-CH1H-CP
MAIN-P.W.Board			C2404	08S45676W80	CAP,CER 223K-B1E -CP
MAIN-P.W.Board			C2405	08S45676W80	CAP,CER 223K-B1E -CP
MAIN-P.W.Board			C2406	08S45677W20	CAP,CER.22RJ-CH1H-CP
MAIN-P.W.Board			C2407	08S45677W20	CAP,CER.22RJ-CH1H-CP
MAIN-P.W.Board			C2408	08S45677W20	CAP,CER.22RJ-CH1H-CP
MAIN-P.W.Board			C2409	08S45677W20	CAP,CER.22RJ-CH1H-CP
MAIN-P.W.Board			C2410	08S65674Y03	CAP,CER 225KX5R1A-CP
MAIN-P.W.Board			C2411	08S65674Y03	CAP,CER 225KX5R1A-CP
MAIN-P.W.Board			C2412	08S65674Y03	CAP,CER 225KX5R1A-CP
MAIN-P.W.Board			C2413	08S65674Y03	CAP,CER 225KX5R1A-CP
MAIN-P.W.Board			C2414	08S82122F45	CAP,CER.221J-CH1H-CP
MAIN-P.W.Board			C2415	08S72783F35	CAP,102-J-CH -CP
MAIN-P.W.Board			C2416	08S72783F35	CAP,102-J-CH -CP
MAIN-P.W.Board			C2417	08S82122F61	CAP,CER.102J-CH1H-CP
MAIN-P.W.Board			C2418	08S45677W07	CAP,CER.5R0C-CH1H-CP
MAIN-P.W.Board			C2419	08S35350Y04	CAP,CER 105K-B1C -CP
MAIN-P.W.Board			C2500	08S45676W85	CAP,CER 104K-B1C -CP
MAIN-P.W.Board			C2501	08S45676W85	CAP,CER 104K-B1C -CP
MAIN-P.W.Board			C2502	08S65667Y05	CAP,CER 105KX5R1A-CP
MAIN-P.W.Board			C2503	08S65667Y05	CAP,CER 105KX5R1A-CP
MAIN-P.W.Board			C2504	08S82122F45	CAP,CER.221J-CH1H-CP
MAIN-P.W.Board			C2505	08S82122F61	CAP,CER.102J-CH1H-CP
MAIN-P.W.Board			C2506	08S82122F61	CAP,CER.102J-CH1H-CP
MAIN-P.W.Board			C2507	08S65128F78	CAP,CER.223K-B1H -CP
MAIN-P.W.Board			C2600	08S35374W10	CAP,CER 225K-B1A -CP
MAIN-P.W.Board			C2700	08S82122F61	CAP,CER.102J-CH1H-CP
MAIN-P.W.Board			C2701	08S82122F61	CAP,CER.102J-CH1H-CP

Mark Model Code

#1 IVA-D105(North American) Only,

\$1 IVA-D105E(General Foreign)(Region3) Only,

%1 IVA-D105E(General Foreign)(Region4) Only,

&1 IVA-D105E(Chinese) Only,

Others:Common.

NOTE:The part that has not PART NUMBER will not be supplied.

P.W.Board	MIS	MODEL	Ref.	Parts No.	Parts Name
-----------	-----	-------	------	-----------	------------

MAIN-P.W.Board			C2702	08S45676W80	CAP,CER 223K-B1E -CP
MAIN-P.W.Board			C2703	08S45676W80	CAP,CER 223K-B1E -CP
MAIN-P.W.Board			C2704	08S45677W20	CAP,CER.22RJ-CH1H-CP
MAIN-P.W.Board			C2705	08S45677W20	CAP,CER.22RJ-CH1H-CP
MAIN-P.W.Board			C2706	08S35350Y04	CAP,CER 105K-B1C -CP
MAIN-P.W.Board			C2707	08S35350Y04	CAP,CER 105K-B1C -CP
MAIN-P.W.Board			C2708	08S35350Y04	CAP,CER 105K-B1C -CP
MAIN-P.W.Board			C3000	08S65128F78	CAP,CER.223K-B1H -CP
MAIN-P.W.Board			C3001	08S65667Y05	CAP,CER 105KX5R1A-CP
MAIN-P.W.Board			C3003	08S45676W73	CAP,CER.103K-B1H -CP
MAIN-P.W.Board			C3004	08S45676W94	CAP,CER 563K-B1C -CP
MAIN-P.W.Board			C3005	08S45676W94	CAP,CER 563K-B1C -CP
MAIN-P.W.Board			C3006	08S45676W85	CAP,CER 104K-B1C -CP
MAIN-P.W.Board			C3007	08S45676W73	CAP,CER.103K-B1H -CP
MAIN-P.W.Board			C3008	08S45676W85	CAP,CER 104K-B1C -CP
MAIN-P.W.Board			C3009	08S45676W85	CAP,CER 104K-B1C -CP
MAIN-P.W.Board			C3010	08S45676W85	CAP,CER 104K-B1C -CP
MAIN-P.W.Board			C3011	08S65128F69	CAP,CER.103K-B1H -CP
MAIN-P.W.Board			C3012	08S65128F69	CAP,CER.103K-B1H -CP
MAIN-P.W.Board			C3013	08S65128F88	CAP,CER 104K-B1H -CP
MAIN-P.W.Board			C3014	08S65128F88	CAP,CER 104K-B1H -CP
MAIN-P.W.Board			C3015	08S45676W65	CAP,CER.222K-B1H -CP
MAIN-P.W.Board			C3016	08S45676W65	CAP,CER.222K-B1H -CP
MAIN-P.W.Board			C3017	08S35374W11	CAP,CER 475K-B0J -CP
MAIN-P.W.Board			C3018	08S35374W10	CAP,CER 225K-B1A -CP
MAIN-P.W.Board			C3019	08S45676W85	CAP,CER 104K-B1C -CP
MAIN-P.W.Board			C3020	08S45676W85	CAP,CER 104K-B1C -CP
MAIN-P.W.Board			C3021	08S45676W85	CAP,CER 104K-B1C -CP
MAIN-P.W.Board			C3024	08S65128F90	CAP,CER 473K-B1H -CP
MAIN-P.W.Board			C3026	08S65128F78	CAP,CER.223K-B1H -CP
MAIN-P.W.Board			C3027	08S45676W85	CAP,CER 104K-B1C -CP
MAIN-P.W.Board			C3028	08S45676W85	CAP,CER 104K-B1C -CP
MAIN-P.W.Board			C3029	08S45677W60	CAP,CER 102J-CH1H-CP
MAIN-P.W.Board			C3030	08S35349Y16	CAP,CER 105K-B1A -CP
MAIN-P.W.Board			C3031	08S35349Y16	CAP,CER 105K-B1A -CP
MAIN-P.W.Board			C3100	08S65128F78	CAP,CER.223K-B1H -CP
MAIN-P.W.Board			C3101	08T65463Y02	CAP,CER 334K-B1H -CP
MAIN-P.W.Board			C3102	08S65128F78	CAP,CER.223K-B1H -CP
MAIN-P.W.Board			C3103	08S65128F69	CAP,CER.103K-B1H -CP
MAIN-P.W.Board			C3104	08S35374W07	CAP,CER 334K-B1C -CP
MAIN-P.W.Board			C3105	08S35374W07	CAP,CER 334K-B1C -CP
MAIN-P.W.Board			C3106	08T65463Y02	CAP,CER 334K-B1H -CP
MAIN-P.W.Board			C3107	08S65128F69	CAP,CER.103K-B1H -CP
MAIN-P.W.Board			C3108	08T65463Y02	CAP,CER 334K-B1H -CP

Mark Model Code

#1 IVA-D105(North American) Only,

\$1 IVA-D105E(General Foreign)(Region3) Only,

%1 IVA-D105E(General Foreign)(Region4) Only,

&1 IVA-D105E(Chinese) Only,

Others:Common.

NOTE:The part that has not PART NUMBER will not be supplied.

P.W.Board	MIS	MODEL	Ref.	Parts No.	Parts Name
-----------	-----	-------	------	-----------	------------

MAIN-P.W.Board			C3109	08S65128F78	CAP,CER.223K-B1H -CP
MAIN-P.W.Board			C3110	08S65128F78	CAP,CER.223K-B1H -CP
MAIN-P.W.Board			C3111	08S65128F78	CAP,CER.223K-B1H -CP
MAIN-P.W.Board			C3112	08S65128F69	CAP,CER.103K-B1H -CP
MAIN-P.W.Board			C3200	08S45676W73	CAP,CER.103K-B1H -CP
MAIN-P.W.Board			C3201	08S65669Y01	CAP,CER 334KX7R1E-CP
MAIN-P.W.Board			C3202	08S45676W85	CAP,CER 104K-B1C -CP
MAIN-P.W.Board			C3203	08S65128F78	CAP,CER.223K-B1H -CP
MAIN-P.W.Board			C3204	08S65128F78	CAP,CER.223K-B1H -CP
MAIN-P.W.Board			C3205	08S65128F78	CAP,CER.223K-B1H -CP
MAIN-P.W.Board			C3300	08S65667Y05	CAP,CER 105KX5R1A-CP
MAIN-P.W.Board			C3301	08S65128F90	CAP,CER 473K-B1H -CP
MAIN-P.W.Board			C5000	08S45676W85	CAP,CER 104K-B1C -CP
MAIN-P.W.Board			C5001	08S45676W80	CAP,CER 223K-B1E -CP
MAIN-P.W.Board			C5002	08S45676W80	CAP,CER 223K-B1E -CP
MAIN-P.W.Board			C5003	08S45677W60	CAP,CER 102J-CH1H-CP
MAIN-P.W.Board			C5004	08S45677W60	CAP,CER 102J-CH1H-CP
MAIN-P.W.Board			C5005	08S45677W20	CAP,CER.22RJ-CH1H-CP
MAIN-P.W.Board			C5006	08S45677W20	CAP,CER.22RJ-CH1H-CP
MAIN-P.W.Board			C5007	08S45676W85	CAP,CER 104K-B1C -CP
MAIN-P.W.Board			C5008	08S45676W85	CAP,CER 104K-B1C -CP
MAIN-P.W.Board			C5009	08S35374W11	CAP,CER 475K-B0J -CP
MAIN-P.W.Board			C5010	08S45676W65	CAP,CER.222K-B1H -CP
MAIN-P.W.Board			C5011	08S45677W60	CAP,CER 102J-CH1H-CP
MAIN-P.W.Board			C5012	08S45676W85	CAP,CER 104K-B1C -CP
MAIN-P.W.Board			C5013	08S45676W85	CAP,CER 104K-B1C -CP
MAIN-P.W.Board			C5014	08S45676W73	CAP,CER.103K-B1H -CP
MAIN-P.W.Board			C5015	08S45676W80	CAP,CER 223K-B1E -CP
MAIN-P.W.Board			C5016	08S45676W85	CAP,CER 104K-B1C -CP
MAIN-P.W.Board			C5017	08S45676W85	CAP,CER 104K-B1C -CP
MAIN-P.W.Board			C5018	08S45677W60	CAP,CER 102J-CH1H-CP
MAIN-P.W.Board			C5020	08S45677W60	CAP,CER 102J-CH1H-CP
MAIN-P.W.Board			C5021	08S45677W60	CAP,CER 102J-CH1H-CP
MAIN-P.W.Board			C5022	08S35349Y11	CAP,CER 223K-B1H -CP
MAIN-P.W.Board			C5024	08S45677W60	CAP,CER 102J-CH1H-CP
MAIN-P.W.Board			C5027	08S45677W60	CAP,CER 102J-CH1H-CP
MAIN-P.W.Board			C6000	08S45676W80	CAP,CER 223K-B1E -CP
MAIN-P.W.Board			C6001	08S45677W22	CAP,CER.27RJ-CH1H-CP
MAIN-P.W.Board			C6002	08S45677W22	CAP,CER.27RJ-CH1H-CP
MAIN-P.W.Board			C6003	08S45676W80	CAP,CER 223K-B1E -CP
MAIN-P.W.Board			C6004	08S45676W80	CAP,CER 223K-B1E -CP
MAIN-P.W.Board			C6005	08S45677W60	CAP,CER 102J-CH1H-CP
MAIN-P.W.Board			C6100	08S45676W80	CAP,CER 223K-B1E -CP
MAIN-P.W.Board			C6101	08S45676W80	CAP,CER 223K-B1E -CP

Mark Model Code

#1 IVA-D105(North American) Only,

\$1 IVA-D105E(General Foreign)(Region3) Only,

%1 IVA-D105E(General Foreign)(Region4) Only,

&1 IVA-D105E(Chinese) Only,

Others:Common.

NOTE:The part that has not PART NUMBER will not be supplied.

P.W.Board	MIS	MODEL	Ref.	Parts No.	Parts Name
MAIN-P.W.Board			C6102	08S45676W80	CAP,CER 223K-B1E -CP
MAIN-P.W.Board			C6103	08S45676W80	CAP,CER 223K-B1E -CP
MAIN-P.W.Board			C6200	08S45677W36	CAP,CER.101J-CH1H-CP
MAIN-P.W.Board			C6201	08S65128F69	CAP,CER.103K-B1H -CP
MAIN-P.W.Board			C6202	08S45676W80	CAP,CER 223K-B1E -CP
MAIN-P.W.Board			C6203	08S82122F61	CAP,CER.102J-CH1H-CP
MAIN-P.W.Board			C6204	08S82122F61	CAP,CER.102J-CH1H-CP
MAIN-P.W.Board			C6205	08S82122F61	CAP,CER.102J-CH1H-CP
MAIN-P.W.Board			C6206	08S45676W80	CAP,CER 223K-B1E -CP
MAIN-P.W.Board			C6300	08S65670Y01	CAP,CER 106KX5R1C-CP
MAIN-P.W.Board			C6301	08S65670Y01	CAP,CER 106KX5R1C-CP
MAIN-P.W.Board			C6302	08S65670Y01	CAP,CER 106KX5R1C-CP
MAIN-P.W.Board			C6303	08S60102F48	CAP,CER 105K-B1E -CP
MAIN-P.W.Board			C6304	08T65555Y01	CAP,CER 226K-BJ0J-CP
MAIN-P.W.Board			C6305	08T65555Y01	CAP,CER 226K-BJ0J-CP
MAIN-P.W.Board			C6306	08T65555Y01	CAP,CER 226K-BJ0J-CP
MAIN-P.W.Board			C6307	08T65555Y01	CAP,CER 226K-BJ0J-CP
MAIN-P.W.Board			C6308	08T65555Y01	CAP,CER 226K-BJ0J-CP
MAIN-P.W.Board			C6309	08T65555Y01	CAP,CER 226K-BJ0J-CP
MAIN-P.W.Board			C6310	08S45677W18	CAP,CER.18RJ-CH1H-CP
MAIN-P.W.Board			C6311	08S45677W18	CAP,CER.18RJ-CH1H-CP
MAIN-P.W.Board			C6312	08S45677W18	CAP,CER.18RJ-CH1H-CP
MAIN-P.W.Board			C6313	08S45676W80	CAP,CER 223K-B1E -CP
MAIN-P.W.Board			C6316	08S45676W80	CAP,CER 223K-B1E -CP
MAIN-P.W.Board			C6317	08S35349Y16	CAP,CER 105K-B1A -CP
MAIN-P.W.Board			C6318	08S35349Y16	CAP,CER 105K-B1A -CP
MAIN-P.W.Board			C6319	08S35349Y16	CAP,CER 105K-B1A -CP
MAIN-P.W.Board			C6320	08S35349Y16	CAP,CER 105K-B1A -CP
MAIN-P.W.Board		#1	C6400	08S45676W85	CAP,CER 104K-B1C -CP
MAIN-P.W.Board			C6401	08S45676W85	CAP,CER 104K-B1C -CP
MAIN-P.W.Board			C6402	08S65128F78	CAP,CER.223K-B1H -CP
MAIN-P.W.Board			C6403	08S45676W80	CAP,CER 223K-B1E -CP
MAIN-P.W.Board		#1	C6404	08S45539Y04	CAP,CER 103KX7R2J-CP
MAIN-P.W.Board			C6405	08S45676W80	CAP,CER 223K-B1E -CP
MAIN-P.W.Board			C7000	08S45676W80	CAP,CER 223K-B1E -CP
MAIN-P.W.Board			C7004	08S35374W12	CAP,CER 106K-B0J -CP
MAIN-P.W.Board			C7005	08S35374W12	CAP,CER 106K-B0J -CP
MAIN-P.W.Board			C7006	08S35374W12	CAP,CER 106K-B0J -CP
MAIN-P.W.Board			C7007	08S45676W85	CAP,CER 104K-B1C -CP
MAIN-P.W.Board			C7008	08S45677W52	CAP,CER 471J-CH1H-CP
MAIN-P.W.Board			C7009	08S45676W80	CAP,CER 223K-B1E -CP
MAIN-P.W.Board			C7010	08S45676W65	CAP,CER.222K-B1H -CP
MAIN-P.W.Board			C7011	08S45676W65	CAP,CER.222K-B1H -CP
MAIN-P.W.Board			C7012	08S45676W65	CAP,CER.222K-B1H -CP

Mark Model Code

#1 IVA-D105(North American) Only,



\$1 IVA-D105E(General Foreign)(Region3) Only,

%1 IVA-D105E(General Foreign)(Region4) Only,

&1 IVA-D105E(Chinese) Only,

Others:Common.

NOTE:The part that has not PART NUMBER will not be supplied.

P.W.Board	MIS	MODEL	Ref.	Parts No.	Parts Name
MAIN-P.W.Board			C7013	08S45676W65	CAP,CER.222K-B1H -CP
MAIN-P.W.Board			C7014	08S45676W65	CAP,CER.222K-B1H -CP
MAIN-P.W.Board			C7100	08S65670Y03	CAP,CER 335KX5R1E-CP
MAIN-P.W.Board			C7101	08S65670Y03	CAP,CER 335KX5R1E-CP
MAIN-P.W.Board			C7102	08S65670Y03	CAP,CER 335KX5R1E-CP
MAIN-P.W.Board			C7103	08S65670Y03	CAP,CER 335KX5R1E-CP
MAIN-P.W.Board			C7104	08S65670Y03	CAP,CER 335KX5R1E-CP
MAIN-P.W.Board			C7105	08S65670Y03	CAP,CER 335KX5R1E-CP
MAIN-P.W.Board			C7106	08S45677W52	CAP,CER 471J-CH1H-CP
MAIN-P.W.Board			C7107	08S45677W52	CAP,CER 471J-CH1H-CP
MAIN-P.W.Board			C7108	08S45677W52	CAP,CER 471J-CH1H-CP
MAIN-P.W.Board			C7109	08S45677W52	CAP,CER 471J-CH1H-CP
MAIN-P.W.Board			C7110	08S45677W52	CAP,CER 471J-CH1H-CP
MAIN-P.W.Board			C7111	08S45677W52	CAP,CER 471J-CH1H-CP
MAIN-P.W.Board			C7112	08S45677W38	CAP,CER 121J-CH1H-CP
MAIN-P.W.Board			C7113	08S45677W38	CAP,CER 121J-CH1H-CP
MAIN-P.W.Board			C7114	08S45677W38	CAP,CER 121J-CH1H-CP
MAIN-P.W.Board			C7115	08S45677W38	CAP,CER 121J-CH1H-CP
MAIN-P.W.Board			C7116	08S45677W38	CAP,CER 121J-CH1H-CP
MAIN-P.W.Board			C7117	08S45677W38	CAP,CER 121J-CH1H-CP
MAIN-P.W.Board			C7118	08S45677W42	CAP,CER.181J-CH1H-CP
MAIN-P.W.Board			C7119	08S45677W42	CAP,CER.181J-CH1H-CP
MAIN-P.W.Board			C7120	08S45677W42	CAP,CER.181J-CH1H-CP
MAIN-P.W.Board			C7121	08S45677W42	CAP,CER.181J-CH1H-CP
MAIN-P.W.Board			C7122	08S45677W42	CAP,CER.181J-CH1H-CP
MAIN-P.W.Board			C7123	08S45677W42	CAP,CER.181J-CH1H-CP
MAIN-P.W.Board			C7124	08S45677W16	CAP,CER.15RJ-CH1H-CP
MAIN-P.W.Board			C7125	08S45677W16	CAP,CER.15RJ-CH1H-CP
MAIN-P.W.Board			C7126	08S45677W16	CAP,CER.15RJ-CH1H-CP
MAIN-P.W.Board			C7127	08S45677W16	CAP,CER.15RJ-CH1H-CP
MAIN-P.W.Board			C7128	08S45677W16	CAP,CER.15RJ-CH1H-CP
MAIN-P.W.Board			C7129	08S45677W16	CAP,CER.15RJ-CH1H-CP
MAIN-P.W.Board			C7130	08S45676W80	CAP,CER 223K-B1E -CP
MAIN-P.W.Board			C7131	08S45676W80	CAP,CER 223K-B1E -CP
MAIN-P.W.Board			C7132	08S45676W80	CAP,CER 223K-B1E -CP
MAIN-P.W.Board			C7200	08S45677W60	CAP,CER 102J-CH1H-CP
MAIN-P.W.Board			C7201	08T81833F13	CAP,CER 106K-B1C -CP
MAIN-P.W.Board			C7202	08S45677W60	CAP,CER 102J-CH1H-CP
MAIN-P.W.Board			C7203	08S45677W60	CAP,CER 102J-CH1H-CP
MAIN-P.W.Board			C7204	08S35350Y05	CAP,CER 105K-B1A -CP
MAIN-P.W.Board			C7205	08S35350Y05	CAP,CER 105K-B1A -CP
MAIN-P.W.Board			CB2200	09-07665Z04	WTB,S20B-PADSS-1 -DB
MAIN-P.W.Board			CB3000	09T35473Y16	WTB,F169B001-16 -DB
MAIN-P.W.Board			CB3100	09T85454W02	WTB,53398-0290 -E6

Mark Model Code

#1 IVA-D105(North American) Only,



\$1 IVA-D105E(General Foreign)(Region3) Only,

%1 IVA-D105E(General Foreign)(Region4) Only,

&1 IVA-D105E(Chinese) Only,

Others:Common.

NOTE:The part that has not PART NUMBER will not be supplied.

P.W.Board	MIS	MODEL	Ref.	Parts No.	Parts Name
MAIN-P.W.Board			CB5000	09-01509Z13	WTB,BM07B-GHS -E7
MAIN-P.W.Board			CB5001	09T75245Y20	FFC,52892-2090 -E9
MAIN-P.W.Board			CB5002	09T75225Y45	FFC,51374-4593 -ER
MAIN-P.W.Board			CB6000	09-01509Z06	WTB,BM15B-GHS -ES
MAIN-P.W.Board			CB6300	09-05987Z01	WTB,BM04B-PASS-TFTEA
MAIN-P.W.Board			CB7000	09T45442Y50	FFC,54104-5092 -EQ
MAIN-P.W.Board			D1000	48T85357W01	DIO,1PS226 -CP
MAIN-P.W.Board			D2101	48T95572W01	DIO,SHT MA736-TX -E1
MAIN-P.W.Board			D2106	48T95572W01	DIO,SHT MA736-TX -E1
MAIN-P.W.Board			D2200	48T25651W01	DIO,MA152WA -CP
MAIN-P.W.Board			D2201	48T25651W01	DIO,MA152WA -CP
MAIN-P.W.Board			D2202	48T25651W01	DIO,MA152WA -CP
MAIN-P.W.Board			D2500	48T25651W01	DIO,MA152WA -CP
MAIN-P.W.Board			D2601	48T25665Y01	DIO,1SS355-TE17 -CP
MAIN-P.W.Board			D2602	48T25665Y01	DIO,1SS355-TE17 -CP
MAIN-P.W.Board			D3000	48T25593Y01	DIO,S1G-6904 -E1
MAIN-P.W.Board			D3002	48T63462F01	DIO,DAN202K-96 -CP
MAIN-P.W.Board			D3100	48T25593Y01	DIO,S1G-6904 -E1
MAIN-P.W.Board			D3101	48T25593Y01	DIO,S1G-6904 -E1
MAIN-P.W.Board			D3102	48T25593Y01	DIO,S1G-6904 -E1
MAIN-P.W.Board			D3103	48T25593Y01	DIO,S1G-6904 -E1
MAIN-P.W.Board			D3300	48T25593Y01	DIO,S1G-6904 -E1
MAIN-P.W.Board			D5000	48T94608F03	DIO,DAN202U(MIN) -CP
MAIN-P.W.Board			D5001	48T45701Y01	DIO,MA2S728-TX -CP
MAIN-P.W.Board			D5002	48T45701Y01	DIO,MA2S728-TX -CP
MAIN-P.W.Board			D5004	48T85357W01	DIO,1PS226 -CP
MAIN-P.W.Board			D5005	48T85357W01	DIO,1PS226 -CP
MAIN-P.W.Board			D5006	48T85357W01	DIO,1PS226 -CP
MAIN-P.W.Board			D5007	48T85357W01	DIO,1PS226 -CP
MAIN-P.W.Board			D5008	48T85357W01	DIO,1PS226 -CP
MAIN-P.W.Board			D5009	48T25665Y01	DIO,1SS355-TE17 -CP
MAIN-P.W.Board			D6000	48T25665Y01	DIO,1SS355-TE17 -CP
MAIN-P.W.Board			D6001	48T25593Y01	DIO,S1G-6904 -E1
MAIN-P.W.Board			D6200	48T85357W01	DIO,1PS226 -CP
MAIN-P.W.Board			D6201	48T85357W01	DIO,1PS226 -CP
MAIN-P.W.Board			D6300	48T25665Y01	DIO,1SS355-TE17 -CP
MAIN-P.W.Board			D6400	48T63462F01	DIO,DAN202K-96 -CP
MAIN-P.W.Board			D6401	48T25651W02	DIO,MA152WK-TX -CP
MAIN-P.W.Board			D6402	48T63462F01	DIO,DAN202K-96 -CP
MAIN-P.W.Board			DIN6200	09-05377Z01	DIN,TC7753-019117-DB
MAIN-P.W.Board			DIN6300	09T15462Y02	DIN,TCS7741-01WA -DB
MAIN-P.W.Board			E1000	23S75244Y19	CAP,ELY 101-1C -E6
MAIN-P.W.Board			E1003	23S75244Y19	CAP,ELY 101-1C -E6
MAIN-P.W.Board			E1004	23S75244Y19	CAP,ELY 101-1C -E6

Mark Model Code

#1 IVA-D105(North American) Only,

\$1 IVA-D105E(General Foreign)(Region3) Only,

%1 IVA-D105E(General Foreign)(Region4) Only,

&1 IVA-D105E(Chinese) Only,

Others:Common.

NOTE:The part that has not PART NUMBER will not be supplied.

P.W.Board	MIS	MODEL	Ref.	Parts No.	Parts Name
MAIN-P.W.Board			E2000	23T75543Y12	CAP,MVA 10R-1ED55-E2
MAIN-P.W.Board			E2001	23S75244Y25	CAP,ELY 22R-1E -E3
MAIN-P.W.Board			E2002	23S65134W44	CAP,ELY 22R-1E(6)-E6
MAIN-P.W.Board			E2100	23S65134W65	CAP,ELY 1R0-1H(3)-E2
MAIN-P.W.Board			E2101	23S65134W65	CAP,ELY 1R0-1H(3)-E2
MAIN-P.W.Board			E2102	23S65134W65	CAP,ELY 1R0-1H(3)-E2
MAIN-P.W.Board			E2103	23S65134W65	CAP,ELY 1R0-1H(3)-E2
MAIN-P.W.Board			E2104	23S75244Y32	CAP,ELY 4R7-1V -E2
MAIN-P.W.Board			E2105	23S75244Y16	CAP,ELY 10R-1C -E2
MAIN-P.W.Board			E2200	23S65134W72	CAP,ELY 3R3-1H(4)-E2
MAIN-P.W.Board			E2201	23S65134W72	CAP,ELY 3R3-1H(4)-E2
MAIN-P.W.Board			E2202	23S65134W72	CAP,ELY 3R3-1H(4)-E2
MAIN-P.W.Board			E2203	23S65134W72	CAP,ELY 3R3-1H(4)-E2
MAIN-P.W.Board			E2204	23S65134W72	CAP,ELY 3R3-1H(4)-E2
MAIN-P.W.Board			E2205	23S65134W72	CAP,ELY 3R3-1H(4)-E2
MAIN-P.W.Board			E2300	23T75543Y13	CAP,MVA 22R-1EE55-E3
MAIN-P.W.Board			E2301	23T75543Y13	CAP,MVA 22R-1EE55-E3
MAIN-P.W.Board			E2302	23T75543Y13	CAP,MVA 22R-1EE55-E3
MAIN-P.W.Board			E2303	23T75543Y13	CAP,MVA 22R-1EE55-E3
MAIN-P.W.Board			E2304	23S65134W32	CAP,ELY 22R-1C(5)-E3
MAIN-P.W.Board			E2305	23-08985Z27	CAP,PXE 471-1AJ80-EA
MAIN-P.W.Board			E2400	23S65134W32	CAP,ELY 22R-1C(5)-E3
MAIN-P.W.Board			E2401	23S65134W32	CAP,ELY 22R-1C(5)-E3
MAIN-P.W.Board			E2500	23T75543Y12	CAP,MVA 10R-1ED55-E2
MAIN-P.W.Board			E2501	23S65134W32	CAP,ELY 22R-1C(5)-E3
MAIN-P.W.Board			E2502	23-08985Z27	CAP,PXE 471-1AJ80-EA
MAIN-P.W.Board			E2600	23T75543Y06	CAP,MVA 22R-1CD55-E2
MAIN-P.W.Board			E2700	23S65134W32	CAP,ELY 22R-1C(5)-E3
MAIN-P.W.Board			E2701	23S65134W32	CAP,ELY 22R-1C(5)-E3
MAIN-P.W.Board			E3000	23S75244Y20	CAP,ELY 221-1C -E6
MAIN-P.W.Board			E3001	23S75244Y22	CAP,ELY 471-1C -EA
MAIN-P.W.Board			E3002	23T75543Y01	CAP,MVA 331-0J -E6
MAIN-P.W.Board			E3003	23-08985Z27	CAP,PXE 471-1AJ80-EA
MAIN-P.W.Board			E3004	23S75244Y25	CAP,ELY 22R-1E -E3
MAIN-P.W.Board			E3005	23S75244Y26	CAP,ELY 33R-1E -E3
MAIN-P.W.Board			E3006	23S75244Y25	CAP,ELY 22R-1E -E3
MAIN-P.W.Board			E3007	23S75244Y25	CAP,ELY 22R-1E -E3
MAIN-P.W.Board			E3008	23-04209Z02	CAP,KRG 472-1C +
MAIN-P.W.Board			E3009	23-08985Z27	CAP,PXE 471-1AJ80-EA
MAIN-P.W.Board			E3010	23T75543Y01	CAP,MVA 331-0J -E6
MAIN-P.W.Board			E3011	23T75543Y01	CAP,MVA 331-0J -E6
MAIN-P.W.Board			E3012	23S65134W44	CAP,ELY 22R-1E(6)-E6
MAIN-P.W.Board			E3100	23S65134W32	CAP,ELY 22R-1C(5)-E3
MAIN-P.W.Board			E3101	23T75543Y06	CAP,MVA 22R-1CD55-E2

Mark Model Code

#1 IVA-D105(North American) Only,

\$1 IVA-D105E(General Foreign)(Region3) Only,

%1 IVA-D105E(General Foreign)(Region4) Only,

&1 IVA-D105E(Chinese) Only,

Others:Common.

NOTE:The part that has not PART NUMBER will not be supplied.

P.W.Board	MIS	MODEL	Ref.	Parts No.	Parts Name
-----------	-----	-------	------	-----------	------------

MAIN-P.W.Board			E3102	23S75244Y20	CAP,ELY 221-1C -E6
MAIN-P.W.Board			E3103	23S75244Y19	CAP,ELY 101-1C -E6
MAIN-P.W.Board			E3104	23S75244Y19	CAP,ELY 101-1C -E6
MAIN-P.W.Board			E3105	23S75244Y20	CAP,ELY 221-1C -E6
MAIN-P.W.Board			E3106	23T65114Y02	CAP,FK 221-1C-E -E6
MAIN-P.W.Board			E3107	23S75244Y25	CAP,ELY 22R-1E -E3
MAIN-P.W.Board			E3108	23T65114Y02	CAP,FK 221-1C-E -E6
MAIN-P.W.Board			E3200	23S75244Y19	CAP,ELY 101-1C -E6
MAIN-P.W.Board			E3201	23S75244Y25	CAP,ELY 22R-1E -E3
MAIN-P.W.Board			E3202	23S75244Y27	CAP,ELY 47R-1E -E6
MAIN-P.W.Board			E5000	23T75543Y03	CAP,MVA 101-0JE55-E3
MAIN-P.W.Board			E6000	23T75543Y06	CAP,MVA 22R-1CD55-E2
MAIN-P.W.Board			E7000	23S65134W32	CAP,ELY 22R-1C(5)-E3
MAIN-P.W.Board			E7100	23S75244Y25	CAP,ELY 22R-1E -E3
MAIN-P.W.Board			E7101	23S75244Y25	CAP,ELY 22R-1E -E3
MAIN-P.W.Board			E7102	23S75244Y25	CAP,ELY 22R-1E -E3
MAIN-P.W.Board			F3000	65T75477Y01	FUSE,CCP2E 0.4A -CP
MAIN-P.W.Board			F5000	65T75477Y05	FUSE,CCP2E 1.0A -CP
MAIN-P.W.Board			F6000	65T75477Y13	FUSE,CCP2E 4.0A -CP
MAIN-P.W.Board			F6200	65T35516Y06	FUSE,TF16N 1.00A -CP
MAIN-P.W.Board			IC1000	51T25259Y03	BA00ASFP-E2 -NE5
MAIN-P.W.Board			IC1001	51T25259Y03	BA00ASFP-E2 -NE5
MAIN-P.W.Board			IC1002	51T93333F01	NJM2904M-TE3 -SE2
MAIN-P.W.Board			IC2000	51-07764Z01	TDA7417 -QE6
MAIN-P.W.Board			IC2001	51T25576W07	NJM4580V-TE2 -SE2
MAIN-P.W.Board			IC2100	51T65184Y01	TB2901H -ZS
MAIN-P.W.Board			IC2300	51T25576W07	NJM4580V-TE2 -SE2
MAIN-P.W.Board			IC2301	51-04557Z01	CXA2089Q -QT
MAIN-P.W.Board			IC2400	51T25576W07	NJM4580V-TE2 -SE2
MAIN-P.W.Board			IC2500	51T15567Y01	NJM2535V-TE2 -SE2
MAIN-P.W.Board			IC2700	51T25576W07	NJM4580V-TE2 -SE2
MAIN-P.W.Board			IC3000	51-04412Z01	L5960PD -SEU
MAIN-P.W.Board			IC3100	51T45594Y01	TDA3664 -NE2
MAIN-P.W.Board			IC3101	51T25259Y03	BA00ASFP-E2 -NE5
MAIN-P.W.Board			IC3102	51T25711Y04	BA08SFP-E2 -NE5
MAIN-P.W.Board			IC3103	51-02830Z01	BA7810HFP -NEA
MAIN-P.W.Board			IC3104	51-02830Z01	BA7810HFP -NEA
MAIN-P.W.Board			IC3105	51T25259Y03	BA00ASFP-E2 -NE5
MAIN-P.W.Board			IC3106	51-02830Z01	BA7810HFP -NEA
MAIN-P.W.Board			IC3107	51-02830Z01	BA7810HFP -NEA
MAIN-P.W.Board			IC3200	51T25711Y02	BA05SFP-E2 -NE5
MAIN-P.W.Board			IC3201	51-01520Z01	PQ012FZ01ZPH -NE5
MAIN-P.W.Board			IC3202	51-04428Z01	BD7800FP-E2 -NE5
MAIN-P.W.Board			IC3300	51-04315Z22	BU4229G-TR -CP

Mark Model Code

#1 IVA-D105(North American) Only,

\$1 IVA-D105E(General Foreign)(Region3) Only,

%1 IVA-D105E(General Foreign)(Region4) Only,

&1 IVA-D105E(Chinese) Only,

Others:Common.

NOTE:The part that has not PART NUMBER will not be supplied.

P.W.Board	MIS	MODEL	Ref.	Parts No.	Parts Name
MAIN-P.W.Board			IC5000	51T65777Y02	BR24L04FVM-WTR -SE1
MAIN-P.W.Board		#1	IC5001	53-10753Z97	INL,V1.001RAAL602A_M
MAIN-P.W.Board		\$1	IC5001	53-10753Z99	INL,V1.001RAAP702A_M
MAIN-P.W.Board		%1	IC5001	53-10753Z99	INL,V1.001RAAP702A_M
MAIN-P.W.Board		&1	IC5001	53-10753Z99	INL,V1.001RAAP702A_M
MAIN-P.W.Board			IC5002	51-02032Z01	TC7SET02FU-TE85L -CP
MAIN-P.W.Board			IC5003	51-07849Z01	TC7WH14FU-L -SE1
MAIN-P.W.Board			IC6000	51T15362Y01	TC74HCT7007AFTP2-SE6
MAIN-P.W.Board			IC6001	51T55070W05	MB88385CPF-ER -SE9
MAIN-P.W.Board			IC6100	51T35360Y01	TC7WH08FU-L -SE1
MAIN-P.W.Board			IC6101	51T15614Y01	TC74HC4051AFT-EL-SE5
MAIN-P.W.Board			IC6102	51T15614Y01	TC74HC4051AFT-EL-SE5
MAIN-P.W.Board			IC6103	51T35360Y01	TC7WH08FU-L -SE1
MAIN-P.W.Board			IC6200	51T35360Y01	TC7WH08FU-L -SE1
MAIN-P.W.Board			IC6300	51T15192Y01	TC74VHC14FT-EL -SE5
MAIN-P.W.Board			IC6301	51T35360Y01	TC7WH08FU-L -SE1
MAIN-P.W.Board			IC7000	51-01135Z01	PCM1606EG -SE6
MAIN-P.W.Board			IC7001	51T25183Y02	TC7SET08FU-EL -CP
MAIN-P.W.Board			IC7100	51T25576W07	NJM4580V-TE2 -SE2
MAIN-P.W.Board			IC7101	51T25576W07	NJM4580V-TE2 -SE2
MAIN-P.W.Board			IC7102	51T25576W07	NJM4580V-TE2 -SE2
MAIN-P.W.Board			L1000	24T55488Y20	IND,LLQ1608 R027J-CP
MAIN-P.W.Board			L1001	24T55488Y24	IND,LLQ1608 R039J-CP
MAIN-P.W.Board			L1002	24T16403W29	COI,IND.15R-M -CP
MAIN-P.W.Board			L1003	24T25164Y21	IND,FSLM2520 4R7J-CP
MAIN-P.W.Board			L3000	24-05496Z03	IND,SLF12575-H68RMEA
MAIN-P.W.Board			L3001	24-05496Z04	IND,SLF12575-H101MEA
MAIN-P.W.Board			L7000	24T65689Y01	FBI,FBMJ2125HS420-CP
MAIN-P.W.Board			L7001	24T65689Y01	FBI,FBMJ2125HS420-CP
MAIN-P.W.Board			L7002	24T65689Y01	FBI,FBMJ2125HS420-CP
MAIN-P.W.Board			L7003	24T65689Y01	FBI,FBMJ2125HS420-CP
MAIN-P.W.Board			L7004	24T95456W27	FBI,BLM18PG181SH1-CP
MAIN-P.W.Board			L7200	24T95456W12	FBI,BLM18AG102SH1-CP
MAIN-P.W.Board			L7201	24T95456W12	FBI,BLM18AG102SH1-CP
MAIN-P.W.Board			Q2200	48T25317Y01	TR,XN0F256-TX -CP
MAIN-P.W.Board			Q2201	48T25317Y01	TR,XN0F256-TX -CP
MAIN-P.W.Board			Q2202	48T25317Y01	TR,XN0F256-TX -CP
MAIN-P.W.Board			Q2300	48T63417F01	TR,2SC2412K-96 -CP
MAIN-P.W.Board			Q2301	48T63417F01	TR,2SC2412K-96 -CP
MAIN-P.W.Board			Q2401	48T94582F01	TR,2SC4081-Q -CP
MAIN-P.W.Board			Q2402	48T94581F01	TR,2SA1576A-T106 -CP
MAIN-P.W.Board			Q2403	48T94582F01	TR,2SC4081-Q -CP
MAIN-P.W.Board			Q2500	48T63417F01	TR,2SC2412K-96 -CP
MAIN-P.W.Board			Q2501	48T63420F03	TR,2SA1037AK-R146-CP

Mark Model Code

#1 IVA-D105(North American) Only,

\$1 IVA-D105E(General Foreign)(Region3) Only,

%1 IVA-D105E(General Foreign)(Region4) Only,

&1 IVA-D105E(Chinese) Only,

Others:Common.

NOTE:The part that has not PART NUMBER will not be supplied.

P.W.Board	MIS	MODEL	Ref.	Parts No.	Parts Name
MAIN-P.W.Board			Q2502	48T25317Y01	TR,XN0F256-TX -CP
MAIN-P.W.Board			Q2600	48T94606F03	TR,DTC124EUA-T106-CP
MAIN-P.W.Board			Q2601	48T75205Y01	TR,FMC2A-T148 -CP
MAIN-P.W.Board			Q2602	48T94606F06	TR,DTC114EUA-T106-CP
MAIN-P.W.Board			Q2603	48T94606F03	TR,DTC124EUA-T106-CP
MAIN-P.W.Board			Q2604	48T75205Y01	TR,FMC2A-T148 -CP
MAIN-P.W.Board			Q2605	48T94606F03	TR,DTC124EUA-T106-CP
MAIN-P.W.Board			Q2606	48T94606F06	TR,DTC114EUA-T106-CP
MAIN-P.W.Board			Q3000	48T63419F04	TR,2SA1036K-HR-96-CP
MAIN-P.W.Board			Q3001	48T75205Y01	TR,FMC2A-T148 -CP
MAIN-P.W.Board			Q3002	48T75205Y02	TR,FMC3A-T148 -CP
MAIN-P.W.Board			Q3003	48T75180Y01	TR,IMH1A-T110 -CP
MAIN-P.W.Board			Q3004	48T75205Y02	TR,FMC3A-T148 -CP
MAIN-P.W.Board			Q3005	48T75205Y02	TR,FMC3A-T148 -CP
MAIN-P.W.Board			Q3006	48T94606F08	TR,DTC143EUA-T106-CP
MAIN-P.W.Board			Q3007	48T65619Y01	FET,HN1K06FU-85L -CP
MAIN-P.W.Board			Q3100	48T94606F12	TR,DTC144TUA-T106-CP
MAIN-P.W.Board			Q3101	48T94606F08	TR,DTC143EUA-T106-CP
MAIN-P.W.Board			Q3102	48T63419F04	TR,2SA1036K-HR-96-CP
MAIN-P.W.Board			Q3300	48T62967F25	TR,DTC123JKA-T146-CP
MAIN-P.W.Board			Q3301	48T15141W03	TR ,2SB1184F5 -E5
MAIN-P.W.Board			Q5000	48T62967F02	TR,DTC114EKA-T146-CP
MAIN-P.W.Board			Q5001	48T94581F01	TR,2SA1576A-T106 -CP
MAIN-P.W.Board			Q5002	48T94606F01	TR,DTC144EUA-T106-CP
MAIN-P.W.Board			Q6000	48T75205Y02	TR,FMC3A-T148 -CP
MAIN-P.W.Board			Q6001	48T94606F56	TR,DTA114EUA-T106-CP
MAIN-P.W.Board			Q6200	48T94606F03	TR,DTC124EUA-T106-CP
MAIN-P.W.Board			Q6201	48T94606F17	TR,DTC123YUA-T106-CP
MAIN-P.W.Board			Q6202	48T15141W03	TR ,2SB1184F5 -E5
MAIN-P.W.Board			Q6300	48T94606F05	TR,DTC114TUA-T106-CP
MAIN-P.W.Board			Q6301	48T94606F04	TR,DTC143TUA-T106-CP
MAIN-P.W.Board			Q6302	48T94606F04	TR,DTC143TUA-T106-CP
MAIN-P.W.Board			Q6303	48T94606F04	TR,DTC143TUA-T106-CP
MAIN-P.W.Board			Q6304	48T94606F04	TR,DTC143TUA-T106-CP
MAIN-P.W.Board			Q6305	48T94582F01	TR,2SC4081-Q -CP
MAIN-P.W.Board			Q6306	48T94582F01	TR,2SC4081-Q -CP
MAIN-P.W.Board			Q6307	48T94582F01	TR,2SC4081-Q -CP
MAIN-P.W.Board			Q6308	48T94582F01	TR,2SC4081-Q -CP
MAIN-P.W.Board			Q6309	48T94581F01	TR,2SA1576A-T106 -CP
MAIN-P.W.Board			Q6310	48T94581F01	TR,2SA1576A-T106 -CP
MAIN-P.W.Board			Q6311	48T94581F01	TR,2SA1576A-T106 -CP
MAIN-P.W.Board			Q6312	48T94581F01	TR,2SA1576A-T106 -CP
MAIN-P.W.Board			Q6313	48T94582F01	TR,2SC4081-Q -CP
MAIN-P.W.Board			Q6314	48T94582F01	TR,2SC4081-Q -CP

Mark Model Code

#1 IVA-D105(North American) Only,

\$1 IVA-D105E(General Foreign)(Region3) Only,

%1 IVA-D105E(General Foreign)(Region4) Only,

&1 IVA-D105E(Chinese) Only,

Others:Common.

NOTE:The part that has not PART NUMBER will not be supplied.

P.W.Board	MIS	MODEL	Ref.	Parts No.	Parts Name
MAIN-P.W.Board			Q6315	48T94582F01	TR,2SC4081-Q -CP
MAIN-P.W.Board			Q6316	48T94582F01	TR,2SC4081-Q -CP
MAIN-P.W.Board			Q6317	48T94606F08	TR,DTC143EUA-T106-CP
MAIN-P.W.Board			Q6400	48T62966F01	TR,DTA143EKA-T146-CP
MAIN-P.W.Board			Q6401	48T62967F03	TR,DTC124EKA-T146-CP
MAIN-P.W.Board			Q6402	48T94606F68	TR,DTA143EUA-T106-CP
MAIN-P.W.Board			Q6403	48T62966F01	TR,DTA143EKA-T146-CP
MAIN-P.W.Board		#1	Q6404	48T62967F03	TR,DTC124EKA-T146-CP
MAIN-P.W.Board			Q7200	48T63420F04	TR,2SA1037AK-S146-CP
MAIN-P.W.Board			Q7201	48T63420F04	TR,2SA1037AK-S146-CP
MAIN-P.W.Board			R1000	06S15593Y25	RES,RK 101F 1/10 -CP
MAIN-P.W.Board			R1001	06S55361Y17	RES,RK 10RJ 1/4 -CP
MAIN-P.W.Board			R1002	06S55361Y01	RES,RK 2R2J 1/4 -CP
MAIN-P.W.Board			R1003	06S55362Y39	RES,RK JUMPER 1/4-CP
MAIN-P.W.Board			R1004	06S15594Y23	RES,RK JUMPER1/10-CP
MAIN-P.W.Board			R1005	06S15594Y23	RES,RK JUMPER1/10-CP
MAIN-P.W.Board			R1009	06S15594Y14	RES,RK 474F 1/10 -CP
MAIN-P.W.Board			R1010	06S15593Y36	RES,RK 301F 1/10 -CP
MAIN-P.W.Board			R1011	06S15593Y57	RES,RK 222F 1/10 -CP
MAIN-P.W.Board			R1012	06S15593Y79	RES,RK 183F 1/10 -CP
MAIN-P.W.Board			R1013	06S15593Y50	RES,RK 112F 1/10 -CP
MAIN-P.W.Board			R1014	06S15593Y50	RES,RK 112F 1/10 -CP
MAIN-P.W.Board			R1015	06S15593Y77	RES,RK 153F 1/10 -CP
MAIN-P.W.Board			R1016	06S15593Y81	RES,RK 223F 1/10 -CP
MAIN-P.W.Board			R1017	06S15593Y69	RES,RK 682F 1/10 -CP
MAIN-P.W.Board			R1018	06S15593Y81	RES,RK 223F 1/10 -CP
MAIN-P.W.Board			R1019	06S15593Y57	RES,RK 222F 1/10 -CP
MAIN-P.W.Board		\$1	R1023	06S15593Y85	RES,RK 333F 1/10 -CP
MAIN-P.W.Board		%1	R1023	06S15593Y85	RES,RK 333F 1/10 -CP
MAIN-P.W.Board		&1	R1023	06S15593Y85	RES,RK 333F 1/10 -CP
MAIN-P.W.Board			R1030	06S15593Y39	RES,RK 391F 1/10 -CP
MAIN-P.W.Board			R1031	06S15593Y77	RES,RK 153F 1/10 -CP
MAIN-P.W.Board			R1032	06S15593Y69	RES,RK 682F 1/10 -CP
MAIN-P.W.Board			R1033	06S15593Y85	RES,RK 333F 1/10 -CP
MAIN-P.W.Board			R1034	06S15593Y50	RES,RK 112F 1/10 -CP
MAIN-P.W.Board			R1035	06S15593Y50	RES,RK 112F 1/10 -CP
MAIN-P.W.Board			R2002	06S15593Y25	RES,RK 101F 1/10 -CP
MAIN-P.W.Board			R2003	06S15593Y25	RES,RK 101F 1/10 -CP
MAIN-P.W.Board			R2004	06S15593Y81	RES,RK 223F 1/10 -CP
MAIN-P.W.Board			R2005	06S15593Y81	RES,RK 223F 1/10 -CP
MAIN-P.W.Board			R2006	06S15593Y81	RES,RK 223F 1/10 -CP
MAIN-P.W.Board			R2007	06S15593Y81	RES,RK 223F 1/10 -CP
MAIN-P.W.Board			R2009	06S15593Y97	RES,RK 104F 1/10 -CP
MAIN-P.W.Board			R2010	06S15593Y97	RES,RK 104F 1/10 -CP

Mark Model Code

#1 IVA-D105(North American) Only,

\$1 IVA-D105E(General Foreign)(Region3) Only,

%1 IVA-D105E(General Foreign)(Region4) Only,

&1 IVA-D105E(Chinese) Only,

Others:Common.

NOTE:The part that has not PART NUMBER will not be supplied.

P.W.Board	MIS	MODEL	Ref.	Parts No.	Parts Name
-----------	-----	-------	------	-----------	------------

MAIN-P.W.Board			R2011	06S15594Y23	RES,RK JUMPER1/10-CP
MAIN-P.W.Board			R2100	06S15593Y73	RES,RK 103F 1/10 -CP
MAIN-P.W.Board			R2200	06S15593Y91	RES,RK 563F 1/10 -CP
MAIN-P.W.Board			R2201	06S15593Y91	RES,RK 563F 1/10 -CP
MAIN-P.W.Board			R2202	06S15593Y91	RES,RK 563F 1/10 -CP
MAIN-P.W.Board			R2203	06S15593Y91	RES,RK 563F 1/10 -CP
MAIN-P.W.Board			R2204	06S15593Y91	RES,RK 563F 1/10 -CP
MAIN-P.W.Board			R2205	06S15593Y91	RES,RK 563F 1/10 -CP
MAIN-P.W.Board			R2206	06S55361Y49	RES,RK 221J 1/4 -CP
MAIN-P.W.Board			R2207	06S55361Y49	RES,RK 221J 1/4 -CP
MAIN-P.W.Board			R2208	06S55361Y47	RES,RK 181J 1/4 -CP
MAIN-P.W.Board			R2209	06S55361Y47	RES,RK 181J 1/4 -CP
MAIN-P.W.Board			R2210	06S55361Y47	RES,RK 181J 1/4 -CP
MAIN-P.W.Board			R2211	06S55361Y47	RES,RK 181J 1/4 -CP
MAIN-P.W.Board			R2212	06S55361Y41	RES,RK 101J 1/4 -CP
MAIN-P.W.Board			R2213	06S55361Y41	RES,RK 101J 1/4 -CP
MAIN-P.W.Board			R2214	06S55361Y41	RES,RK 101J 1/4 -CP
MAIN-P.W.Board			R2215	06S55361Y41	RES,RK 101J 1/4 -CP
MAIN-P.W.Board			R2216	06S55361Y41	RES,RK 101J 1/4 -CP
MAIN-P.W.Board			R2217	06S55361Y41	RES,RK 101J 1/4 -CP
MAIN-P.W.Board			R2300	06S15593Y50	RES,RK 112F 1/10 -CP
MAIN-P.W.Board			R2301	06S15593Y50	RES,RK 112F 1/10 -CP
MAIN-P.W.Board			R2302	06S15593Y50	RES,RK 112F 1/10 -CP
MAIN-P.W.Board			R2303	06S15593Y50	RES,RK 112F 1/10 -CP
MAIN-P.W.Board			R2304	06S15593Y25	RES,RK 101F 1/10 -CP
MAIN-P.W.Board			R2305	06S15593Y25	RES,RK 101F 1/10 -CP
MAIN-P.W.Board			R2306	06S15593Y25	RES,RK 101F 1/10 -CP
MAIN-P.W.Board			R2307	06S15593Y25	RES,RK 101F 1/10 -CP
MAIN-P.W.Board			R2308	06S55361Y41	RES,RK 101J 1/4 -CP
MAIN-P.W.Board			R2309	06S55361Y45	RES,RK 151J 1/4 -CP
MAIN-P.W.Board			R2310	06S55361Y37	RES,RK 68RJ 1/4 -CP
MAIN-P.W.Board			R2311	06S55361Y37	RES,RK 68RJ 1/4 -CP
MAIN-P.W.Board			R2313	06S15594Y23	RES,RK JUMPER1/10-CP
MAIN-P.W.Board			R2314	06S15594Y23	RES,RK JUMPER1/10-CP
MAIN-P.W.Board			R2400	06S55361Y30	RES,RK 36RJ 1/4 -CP
MAIN-P.W.Board			R2401	06S55361Y31	RES,RK 39RJ 1/4 -CP
MAIN-P.W.Board			R2402	06S55361Y30	RES,RK 36RJ 1/4 -CP
MAIN-P.W.Board			R2403	06S15593Y81	RES,RK 223F 1/10 -CP
MAIN-P.W.Board			R2404	06S15593Y79	RES,RK 183F 1/10 -CP
MAIN-P.W.Board			R2405	06S15593Y89	RES,RK 473F 1/10 -CP
MAIN-P.W.Board			R2406	06S55361Y31	RES,RK 39RJ 1/4 -CP
MAIN-P.W.Board			R2407	06S15593Y41	RES,RK 471F 1/10 -CP
MAIN-P.W.Board			R2408	06S15593Y47	RES,RK 821F 1/10 -CP
MAIN-P.W.Board			R2409	06S15594Y04	RES,RK 184F 1/10 -CP

Mark Model Code

#1 IVA-D105(North American) Only,

\$1 IVA-D105E(General Foreign)(Region3) Only,

%1 IVA-D105E(General Foreign)(Region4) Only,

&1 IVA-D105E(Chinese) Only,

Others:Common.

NOTE:The part that has not PART NUMBER will not be supplied.

P.W.Board	MIS	MODEL	Ref.	Parts No.	Parts Name
-----------	-----	-------	------	-----------	------------

MAIN-P.W.Board			R2410	06S15593Y42	RES,RK 511F 1/10 -CP
MAIN-P.W.Board			R2411	06S15593Y49	RES,RK 102F 1/10 -CP
MAIN-P.W.Board			R2412	06S15593Y22	RES,RK 75RF 1/10 -CP
MAIN-P.W.Board			R2413	06S15593Y53	RES,RK 152F 1/10 -CP
MAIN-P.W.Board			R2414	06S55365Y85	RES,RK 682J 1/10 -CP
MAIN-P.W.Board			R2415	06S15593Y81	RES,RK 223F 1/10 -CP
MAIN-P.W.Board			R2416	06S15593Y81	RES,RK 223F 1/10 -CP
MAIN-P.W.Board			R2417	06S15593Y81	RES,RK 223F 1/10 -CP
MAIN-P.W.Board			R2418	06S15593Y81	RES,RK 223F 1/10 -CP
MAIN-P.W.Board			R2419	06S15593Y81	RES,RK 223F 1/10 -CP
MAIN-P.W.Board			R2420	06S15593Y81	RES,RK 223F 1/10 -CP
MAIN-P.W.Board			R2421	06S15593Y81	RES,RK 223F 1/10 -CP
MAIN-P.W.Board			R2422	06S15593Y81	RES,RK 223F 1/10 -CP
MAIN-P.W.Board			R2423	06S55361Y30	RES,RK 36RJ 1/4 -CP
MAIN-P.W.Board			R2424	06S55361Y31	RES,RK 39RJ 1/4 -CP
MAIN-P.W.Board			R2500	06S15593Y25	RES,RK 101F 1/10 -CP
MAIN-P.W.Board			R2501	06S55361Y41	RES,RK 101J 1/4 -CP
MAIN-P.W.Board			R2502	06S15593Y25	RES,RK 101F 1/10 -CP
MAIN-P.W.Board			R2503	06S15594Y22	RES,RK 105F 1/10 -CP
MAIN-P.W.Board			R2504	06S15594Y22	RES,RK 105F 1/10 -CP
MAIN-P.W.Board			R2505	06S15594Y22	RES,RK 105F 1/10 -CP
MAIN-P.W.Board			R2506	06S15593Y91	RES,RK 563F 1/10 -CP
MAIN-P.W.Board			R2507	06S15593Y91	RES,RK 563F 1/10 -CP
MAIN-P.W.Board			R2508	06S15593Y25	RES,RK 101F 1/10 -CP
MAIN-P.W.Board			R2509	06S55361Y47	RES,RK 181J 1/4 -CP
MAIN-P.W.Board			R2510	06S55361Y47	RES,RK 181J 1/4 -CP
MAIN-P.W.Board			R2511	06S55361Y51	RES,RK 271J 1/4 -CP
MAIN-P.W.Board			R2512	06S55361Y41	RES,RK 101J 1/4 -CP
MAIN-P.W.Board			R2513	06S55361Y41	RES,RK 101J 1/4 -CP
MAIN-P.W.Board			R2514	06S55361Y37	RES,RK 68RJ 1/4 -CP
MAIN-P.W.Board			R2600	06S15593Y73	RES,RK 103F 1/10 -CP
MAIN-P.W.Board			R2601	06S15593Y73	RES,RK 103F 1/10 -CP
MAIN-P.W.Board			R2602	06S15593Y73	RES,RK 103F 1/10 -CP
MAIN-P.W.Board			R2603	06S15593Y89	RES,RK 473F 1/10 -CP
MAIN-P.W.Board			R2604	06S15593Y33	RES,RK 221F 1/10 -CP
MAIN-P.W.Board			R2605	06S15593Y25	RES,RK 101F 1/10 -CP
MAIN-P.W.Board			R2606	06S15593Y25	RES,RK 101F 1/10 -CP
MAIN-P.W.Board			R2607	06S15593Y73	RES,RK 103F 1/10 -CP
MAIN-P.W.Board			R2608	06S15593Y25	RES,RK 101F 1/10 -CP
MAIN-P.W.Board			R2700	06S15593Y81	RES,RK 223F 1/10 -CP
MAIN-P.W.Board			R2701	06S15593Y81	RES,RK 223F 1/10 -CP
MAIN-P.W.Board			R2702	06S15593Y81	RES,RK 223F 1/10 -CP
MAIN-P.W.Board			R2703	06S15593Y81	RES,RK 223F 1/10 -CP
MAIN-P.W.Board			R2704	06S15593Y69	RES,RK 682F 1/10 -CP

Mark Model Code

#1 IVA-D105(North American) Only,

\$1 IVA-D105E(General Foreign)(Region3) Only,

%1 IVA-D105E(General Foreign)(Region4) Only,

&1 IVA-D105E(Chinese) Only,

Others:Common.

NOTE:The part that has not PART NUMBER will not be supplied.

P.W.Board	MIS	MODEL	Ref.	Parts No.	Parts Name
-----------	-----	-------	------	-----------	------------

MAIN-P.W.Board			R2705	06S15593Y69	RES,RK 682F 1/10 -CP
MAIN-P.W.Board			R2706	06S15593Y50	RES,RK 112F 1/10 -CP
MAIN-P.W.Board			R2707	06S15593Y50	RES,RK 112F 1/10 -CP
MAIN-P.W.Board			R3000	06S15593Y25	RES,RK 101F 1/10 -CP
MAIN-P.W.Board			R3001	06S15593Y25	RES,RK 101F 1/10 -CP
MAIN-P.W.Board			R3002	06S15593Y33	RES,RK 221F 1/10 -CP
MAIN-P.W.Board			R3003	06S15594Y06	RES,RK 224F 1/10 -CP
MAIN-P.W.Board			R3004	06S15593Y95	RES,RK 823F 1/10 -CP
MAIN-P.W.Board			R3005	06S15593Y65	RES,RK 472F 1/10 -CP
MAIN-P.W.Board			R3006	06S15593Y65	RES,RK 472F 1/10 -CP
MAIN-P.W.Board			R3007	06S15593Y81	RES,RK 223F 1/10 -CP
MAIN-P.W.Board			R3008	06S15593Y62	RES,RK 362F 1/10 -CP
MAIN-P.W.Board			R3009	06S15593Y01	RES,RK 10RF 1/10 -CP
MAIN-P.W.Board			R3010	06S15593Y01	RES,RK 10RF 1/10 -CP
MAIN-P.W.Board			R3011	06S55361Y95	RES,RK 183J 1/4 -CP
MAIN-P.W.Board			R3012	06S15593Y66	RES,RK 512F 1/10 -CP
MAIN-P.W.Board			R3013	06S15593Y53	RES,RK 152F 1/10 -CP
MAIN-P.W.Board			R3014	06S15593Y69	RES,RK 682F 1/10 -CP
MAIN-P.W.Board			R3015	06S15593Y47	RES,RK 821F 1/10 -CP
MAIN-P.W.Board			R3016	06S15593Y81	RES,RK 223F 1/10 -CP
MAIN-P.W.Board			R3017	06S15593Y81	RES,RK 223F 1/10 -CP
MAIN-P.W.Board			R3019	06S15593Y70	RES,RK 752F 1/10 -CP
MAIN-P.W.Board			R3020	06S15593Y67	RES,RK 562F 1/10 -CP
MAIN-P.W.Board			R3022	06S45348Y31	RES,RK 224F 1/4 -CP
MAIN-P.W.Board			R3023	06S15593Y87	RES,RK 393F 1/10 -CP
MAIN-P.W.Board			R3024	06S15593Y87	RES,RK 393F 1/10 -CP
MAIN-P.W.Board			R3025	06S15593Y73	RES,RK 103F 1/10 -CP
MAIN-P.W.Board			R3026	06S15593Y57	RES,RK 222F 1/10 -CP
MAIN-P.W.Board			R3028	06S15593Y82	RES,RK 243F 1/10 -CP
MAIN-P.W.Board			R3029	06S45674W01	RES,RK 2R2J 1/10 -CP
MAIN-P.W.Board			R3031	06S15593Y49	RES,RK 102F 1/10 -CP
MAIN-P.W.Board			R3032	06S15593Y49	RES,RK 102F 1/10 -CP
MAIN-P.W.Board			R3033	06S15593Y47	RES,RK 821F 1/10 -CP
MAIN-P.W.Board			R3034	06S15593Y47	RES,RK 821F 1/10 -CP
MAIN-P.W.Board			R3035	06S15593Y89	RES,RK 473F 1/10 -CP
MAIN-P.W.Board			R3037	06S15593Y89	RES,RK 473F 1/10 -CP
MAIN-P.W.Board			R3038	06S45675W04	RES,RK 823J 1/10 -CP
MAIN-P.W.Board			R3039	06S15593Y89	RES,RK 473F 1/10 -CP
MAIN-P.W.Board			R3041	06S15593Y95	RES,RK 823F 1/10 -CP
MAIN-P.W.Board			R3042	06S15593Y89	RES,RK 473F 1/10 -CP
MAIN-P.W.Board			R3100	06S45675W45	RES,RK 1R0J 1/10 -CP
MAIN-P.W.Board			R3101	06S15593Y91	RES,RK 563F 1/10 -CP
MAIN-P.W.Board			R3102	06S15593Y87	RES,RK 393F 1/10 -CP
MAIN-P.W.Board			R3103	06S15593Y79	RES,RK 183F 1/10 -CP

Mark Model Code

#1 IVA-D105(North American) Only,

\$1 IVA-D105E(General Foreign)(Region3) Only,

%1 IVA-D105E(General Foreign)(Region4) Only,

&1 IVA-D105E(Chinese) Only,

Others:Common.

NOTE:The part that has not PART NUMBER will not be supplied.

P.W.Board	MIS	MODEL	Ref.	Parts No.	Parts Name
-----------	-----	-------	------	-----------	------------

MAIN-P.W.Board			R3104	06S15593Y47	RES,RK 821F 1/10 -CP
MAIN-P.W.Board			R3105	06S15593Y57	RES,RK 222F 1/10 -CP
MAIN-P.W.Board			R3106	06S15593Y57	RES,RK 222F 1/10 -CP
MAIN-P.W.Board			R3107	06S15593Y82	RES,RK 243F 1/10 -CP
MAIN-P.W.Board			R3108	06S15593Y34	RES,RK 241F 1/10 -CP
MAIN-P.W.Board			R3109	06S15593Y57	RES,RK 222F 1/10 -CP
MAIN-P.W.Board			R3110	06S15593Y77	RES,RK 153F 1/10 -CP
MAIN-P.W.Board			R3111	06S15593Y39	RES,RK 391F 1/10 -CP
MAIN-P.W.Board			R3112	06S15593Y57	RES,RK 222F 1/10 -CP
MAIN-P.W.Board			R3113	06S15593Y36	RES,RK 301F 1/10 -CP
MAIN-P.W.Board			R3114	06S15593Y57	RES,RK 222F 1/10 -CP
MAIN-P.W.Board			R3115	06S15593Y81	RES,RK 223F 1/10 -CP
MAIN-P.W.Board			R3116	06S15593Y81	RES,RK 223F 1/10 -CP
MAIN-P.W.Board			R3117	06S15593Y39	RES,RK 391F 1/10 -CP
MAIN-P.W.Board			R3118	06S15593Y57	RES,RK 222F 1/10 -CP
MAIN-P.W.Board			R3119	06S15593Y81	RES,RK 223F 1/10 -CP
MAIN-P.W.Board			R3120	06S45674W01	RES,RK 2R2J 1/10 -CP
MAIN-P.W.Board			R3125	06S55366Y27	RES,RK 364J 1/10 -CP
MAIN-P.W.Board			R3127	06S15593Y70	RES,RK 752F 1/10 -CP
MAIN-P.W.Board			R3128	06S15594Y20	RES,RK 824F 1/10 -CP
MAIN-P.W.Board			R3129	06S15593Y77	RES,RK 153F 1/10 -CP
MAIN-P.W.Board			R3130	06S15593Y92	RES,RK 623F 1/10 -CP
MAIN-P.W.Board			R3131	06S15593Y32	RES,RK 201F 1/10 -CP
MAIN-P.W.Board			R3132	06S15593Y57	RES,RK 222F 1/10 -CP
MAIN-P.W.Board			R3200	06S55361Y01	RES,RK 2R2J 1/4 -CP
MAIN-P.W.Board			R3202	06S55361Y01	RES,RK 2R2J 1/4 -CP
MAIN-P.W.Board			R3203	06S15594Y08	RES,RK 274F 1/10 -CP
MAIN-P.W.Board			R3204	06S15593Y58	RES,RK 242F 1/10 -CP
MAIN-P.W.Board			R3205	06S15593Y84	RES,RK 303F 1/10 -CP
MAIN-P.W.Board			R3206	06S15593Y70	RES,RK 752F 1/10 -CP
MAIN-P.W.Board			R3207	06S15593Y88	RES,RK 433F 1/10 -CP
MAIN-P.W.Board			R3208	06S15593Y71	RES,RK 822F 1/10 -CP
MAIN-P.W.Board			R3300	06S15593Y49	RES,RK 102F 1/10 -CP
MAIN-P.W.Board			R3301	06S15593Y77	RES,RK 153F 1/10 -CP
MAIN-P.W.Board			R3302	06S15593Y41	RES,RK 471F 1/10 -CP
MAIN-P.W.Board			R3303	06S55361Y70	RES,RK 162J 1/4 -CP
MAIN-P.W.Board			R3304	06S55361Y70	RES,RK 162J 1/4 -CP
MAIN-P.W.Board			R3305	06S55361Y70	RES,RK 162J 1/4 -CP
MAIN-P.W.Board			R3306	06S55361Y70	RES,RK 162J 1/4 -CP
MAIN-P.W.Board			R3307	06S55361Y98	RES,RK 243J 1/4 -CP
MAIN-P.W.Board			R3308	06S55361Y89	RES,RK 103J 1/4 -CP
MAIN-P.W.Board			R5000	06S15593Y73	RES,RK 103F 1/10 -CP
MAIN-P.W.Board			R5001	06S15593Y57	RES,RK 222F 1/10 -CP
MAIN-P.W.Board			R5002	06S15593Y41	RES,RK 471F 1/10 -CP

Mark Model Code

#1 IVA-D105(North American) Only,

\$1 IVA-D105E(General Foreign)(Region3) Only,

%1 IVA-D105E(General Foreign)(Region4) Only,

&1 IVA-D105E(Chinese) Only,

Others:Common.

NOTE:The part that has not PART NUMBER will not be supplied.

P.W.Board	MIS	MODEL	Ref.	Parts No.	Parts Name
-----------	-----	-------	------	-----------	------------

MAIN-P.W.Board			R5003	06S15593Y65	RES,RK 472F 1/10 -CP
MAIN-P.W.Board			R5004	06S15593Y25	RES,RK 101F 1/10 -CP
MAIN-P.W.Board			R5005	06S15593Y65	RES,RK 472F 1/10 -CP
MAIN-P.W.Board			R5006	06S55361Y49	RES,RK 221J 1/4 -CP
MAIN-P.W.Board			R5007	06S15593Y25	RES,RK 101F 1/10 -CP
MAIN-P.W.Board			R5008	06S15593Y57	RES,RK 222F 1/10 -CP
MAIN-P.W.Board			R5009	06S15593Y25	RES,RK 101F 1/10 -CP
MAIN-P.W.Board			R5010	06S15593Y25	RES,RK 101F 1/10 -CP
MAIN-P.W.Board			R5011	06S15593Y81	RES,RK 223F 1/10 -CP
MAIN-P.W.Board			R5013	06S15593Y81	RES,RK 223F 1/10 -CP
MAIN-P.W.Board			R5014	06S15593Y63	RES,RK 392F 1/10 -CP
MAIN-P.W.Board			R5016	06S15593Y25	RES,RK 101F 1/10 -CP
MAIN-P.W.Board			R5018	06S15593Y25	RES,RK 101F 1/10 -CP
MAIN-P.W.Board			R5021	06S15593Y25	RES,RK 101F 1/10 -CP
MAIN-P.W.Board			R5022	06S55361Y77	RES,RK 332J 1/4 -CP
MAIN-P.W.Board			R5023	06S15593Y25	RES,RK 101F 1/10 -CP
MAIN-P.W.Board			R5024	06S15593Y25	RES,RK 101F 1/10 -CP
MAIN-P.W.Board			R5025	06S15593Y25	RES,RK 101F 1/10 -CP
MAIN-P.W.Board			R5026	06S55361Y73	RES,RK 222J 1/4 -CP
MAIN-P.W.Board			R5027	06S15593Y25	RES,RK 101F 1/10 -CP
MAIN-P.W.Board			R5028	06S15593Y65	RES,RK 472F 1/10 -CP
MAIN-P.W.Board			R5029	06S15593Y81	RES,RK 223F 1/10 -CP
MAIN-P.W.Board			R5030	06S15594Y14	RES,RK 474F 1/10 -CP
MAIN-P.W.Board			R5031	06S15593Y65	RES,RK 472F 1/10 -CP
MAIN-P.W.Board			R5032	06S15593Y25	RES,RK 101F 1/10 -CP
MAIN-P.W.Board			R5033	06S15593Y25	RES,RK 101F 1/10 -CP
MAIN-P.W.Board			R5034	06S15593Y25	RES,RK 101F 1/10 -CP
MAIN-P.W.Board			R5035	06S15593Y25	RES,RK 101F 1/10 -CP
MAIN-P.W.Board			R5036	06S15593Y25	RES,RK 101F 1/10 -CP
MAIN-P.W.Board			R5037	06S15593Y81	RES,RK 223F 1/10 -CP
MAIN-P.W.Board			R5038	06S15593Y97	RES,RK 104F 1/10 -CP
MAIN-P.W.Board			R5039	06S15593Y97	RES,RK 104F 1/10 -CP
MAIN-P.W.Board			R5040	06S15593Y65	RES,RK 472F 1/10 -CP
MAIN-P.W.Board			R5041	06S15593Y65	RES,RK 472F 1/10 -CP
MAIN-P.W.Board			R5042	06S15593Y25	RES,RK 101F 1/10 -CP
MAIN-P.W.Board			R5043	06S15593Y25	RES,RK 101F 1/10 -CP
MAIN-P.W.Board			R5044	06S15593Y81	RES,RK 223F 1/10 -CP
MAIN-P.W.Board			R5045	06S15593Y25	RES,RK 101F 1/10 -CP
MAIN-P.W.Board			R5046	06S15593Y81	RES,RK 223F 1/10 -CP
MAIN-P.W.Board			R5047	06S15593Y25	RES,RK 101F 1/10 -CP
MAIN-P.W.Board			R5048	06S15593Y25	RES,RK 101F 1/10 -CP
MAIN-P.W.Board			R5049	06S15593Y25	RES,RK 101F 1/10 -CP
MAIN-P.W.Board			R5050	06S15593Y25	RES,RK 101F 1/10 -CP
MAIN-P.W.Board			R5051	06S15593Y25	RES,RK 101F 1/10 -CP

Mark Model Code

#1 IVA-D105(North American) Only,

\$1 IVA-D105E(General Foreign)(Region3) Only,

%1 IVA-D105E(General Foreign)(Region4) Only,

&1 IVA-D105E(Chinese) Only,

Others:Common.

NOTE:The part that has not PART NUMBER will not be supplied.

P.W.Board	MIS	MODEL	Ref.	Parts No.	Parts Name
MAIN-P.W.Board			R5052	06S15593Y73	RES,RK 103F 1/10 -CP
MAIN-P.W.Board			R5053	06S55361Y65	RES,RK 102J 1/4 -CP
MAIN-P.W.Board			R5054	06S15593Y25	RES,RK 101F 1/10 -CP
MAIN-P.W.Board			R5055	06S15593Y25	RES,RK 101F 1/10 -CP
MAIN-P.W.Board			R5056	06S15593Y25	RES,RK 101F 1/10 -CP
MAIN-P.W.Board			R5057	06S15593Y25	RES,RK 101F 1/10 -CP
MAIN-P.W.Board			R5058	06S15593Y77	RES,RK 153F 1/10 -CP
MAIN-P.W.Board		#1	R5059	06S15593Y81	RES,RK 223F 1/10 -CP
MAIN-P.W.Board			R5060	06S15593Y81	RES,RK 223F 1/10 -CP
MAIN-P.W.Board			R5061	06S15594Y23	RES,RK JUMPER1/10-CP
MAIN-P.W.Board			R5062	06S15593Y49	RES,RK 102F 1/10 -CP
MAIN-P.W.Board			R5063	06S15593Y49	RES,RK 102F 1/10 -CP
MAIN-P.W.Board			R5064	06S15593Y49	RES,RK 102F 1/10 -CP
MAIN-P.W.Board			R5065	06S15594Y23	RES,RK JUMPER1/10-CP
MAIN-P.W.Board			R5066	06S15593Y25	RES,RK 101F 1/10 -CP
MAIN-P.W.Board			R5067	06S15593Y25	RES,RK 101F 1/10 -CP
MAIN-P.W.Board			R5068	06S15593Y25	RES,RK 101F 1/10 -CP
MAIN-P.W.Board			R5069	06S15593Y81	RES,RK 223F 1/10 -CP
MAIN-P.W.Board			R5070	06S15593Y49	RES,RK 102F 1/10 -CP
MAIN-P.W.Board			R5071	06S15593Y81	RES,RK 223F 1/10 -CP
MAIN-P.W.Board		#1	R5072	06S15594Y23	RES,RK JUMPER1/10-CP
MAIN-P.W.Board		\$1	R5073	06S15594Y23	RES,RK JUMPER1/10-CP
MAIN-P.W.Board		%1	R5073	06S15594Y23	RES,RK JUMPER1/10-CP
MAIN-P.W.Board		&1	R5073	06S15594Y23	RES,RK JUMPER1/10-CP
MAIN-P.W.Board			R5075	06S15593Y81	RES,RK 223F 1/10 -CP
MAIN-P.W.Board			R5076	06S15594Y22	RES,RK 105F 1/10 -CP
MAIN-P.W.Board			R5078	06S15593Y81	RES,RK 223F 1/10 -CP
MAIN-P.W.Board			R6000	06S15593Y65	RES,RK 472F 1/10 -CP
MAIN-P.W.Board			R6001	06S15593Y65	RES,RK 472F 1/10 -CP
MAIN-P.W.Board			R6002	06S15593Y65	RES,RK 472F 1/10 -CP
MAIN-P.W.Board			R6003	06S15593Y65	RES,RK 472F 1/10 -CP
MAIN-P.W.Board			R6004	06S15593Y65	RES,RK 472F 1/10 -CP
MAIN-P.W.Board			R6005	06S15593Y69	RES,RK 682F 1/10 -CP
MAIN-P.W.Board			R6006	06S55361Y46	RES,RK 161J 1/4 -CP
MAIN-P.W.Board			R6007	06S55361Y46	RES,RK 161J 1/4 -CP
MAIN-P.W.Board			R6008	06S15593Y53	RES,RK 152F 1/10 -CP
MAIN-P.W.Board			R6009	06S15593Y57	RES,RK 222F 1/10 -CP
MAIN-P.W.Board			R6010	06S55361Y46	RES,RK 161J 1/4 -CP
MAIN-P.W.Board			R6011	06S55361Y46	RES,RK 161J 1/4 -CP
MAIN-P.W.Board			R6012	06S55361Y17	RES,RK 10RJ 1/4 -CP
MAIN-P.W.Board			R6013	06S15593Y57	RES,RK 222F 1/10 -CP
MAIN-P.W.Board			R6014	06S15593Y53	RES,RK 152F 1/10 -CP
MAIN-P.W.Board			R6015	06S55361Y51	RES,RK 271J 1/4 -CP
MAIN-P.W.Board			R6016	06S55361Y51	RES,RK 271J 1/4 -CP

Mark Model Code

#1 IVA-D105(North American) Only,

\$1 IVA-D105E(General Foreign)(Region3) Only,

%1 IVA-D105E(General Foreign)(Region4) Only,

&1 IVA-D105E(Chinese) Only,

Others:Common.

NOTE:The part that has not PART NUMBER will not be supplied.

P.W.Board	MIS	MODEL	Ref.	Parts No.	Parts Name
-----------	-----	-------	------	-----------	------------

MAIN-P.W.Board			R6017	06S15593Y81	RES,RK 223F 1/10 -CP
MAIN-P.W.Board			R6018	06S45674W89	RES,RK 223J 1/10 -CP
MAIN-P.W.Board			R6019	06S15593Y49	RES,RK 102F 1/10 -CP
MAIN-P.W.Board			R6100	06S15593Y89	RES,RK 473F 1/10 -CP
MAIN-P.W.Board			R6101	06S15593Y81	RES,RK 223F 1/10 -CP
MAIN-P.W.Board			R6102	06S15593Y81	RES,RK 223F 1/10 -CP
MAIN-P.W.Board			R6103	06S55361Y65	RES,RK 102J 1/4 -CP
MAIN-P.W.Board			R6104	06S55361Y65	RES,RK 102J 1/4 -CP
MAIN-P.W.Board			R6200	06S55362Y39	RES,RK JUMPER 1/4-CP
MAIN-P.W.Board			R6201	06S15594Y22	RES,RK 105F 1/10 -CP
MAIN-P.W.Board			R6202	06S55361Y65	RES,RK 102J 1/4 -CP
MAIN-P.W.Board			R6203	06S55361Y65	RES,RK 102J 1/4 -CP
MAIN-P.W.Board			R6204	06S15593Y49	RES,RK 102F 1/10 -CP
MAIN-P.W.Board			R6205	06S55361Y65	RES,RK 102J 1/4 -CP
MAIN-P.W.Board			R6206	06S55361Y71	RES,RK 182J 1/4 -CP
MAIN-P.W.Board			R6207	06S15593Y89	RES,RK 473F 1/10 -CP
MAIN-P.W.Board			R6208	06S55361Y71	RES,RK 182J 1/4 -CP
MAIN-P.W.Board			R6209	06S55361Y70	RES,RK 162J 1/4 -CP
MAIN-P.W.Board			R6210	06S55361Y69	RES,RK 152J 1/4 -CP
MAIN-P.W.Board			R6211	06S55361Y98	RES,RK 243J 1/4 -CP
MAIN-P.W.Board			R6212	06S15593Y49	RES,RK 102F 1/10 -CP
MAIN-P.W.Board			R6213	06S15593Y25	RES,RK 101F 1/10 -CP
MAIN-P.W.Board			R6214	06S55361Y65	RES,RK 102J 1/4 -CP
MAIN-P.W.Board			R6215	06S55361Y65	RES,RK 102J 1/4 -CP
MAIN-P.W.Board			R6216	06S55361Y65	RES,RK 102J 1/4 -CP
MAIN-P.W.Board			R6300	06S15593Y65	RES,RK 472F 1/10 -CP
MAIN-P.W.Board			R6301	06S15593Y81	RES,RK 223F 1/10 -CP
MAIN-P.W.Board			R6302	06S15593Y79	RES,RK 183F 1/10 -CP
MAIN-P.W.Board			R6303	06S15593Y89	RES,RK 473F 1/10 -CP
MAIN-P.W.Board			R6304	06S15593Y81	RES,RK 223F 1/10 -CP
MAIN-P.W.Board			R6305	06S15593Y79	RES,RK 183F 1/10 -CP
MAIN-P.W.Board			R6306	06S15593Y89	RES,RK 473F 1/10 -CP
MAIN-P.W.Board			R6307	06S15593Y81	RES,RK 223F 1/10 -CP
MAIN-P.W.Board			R6308	06S15593Y79	RES,RK 183F 1/10 -CP
MAIN-P.W.Board			R6309	06S15593Y89	RES,RK 473F 1/10 -CP
MAIN-P.W.Board			R6310	06S15593Y81	RES,RK 223F 1/10 -CP
MAIN-P.W.Board			R6311	06S15593Y87	RES,RK 393F 1/10 -CP
MAIN-P.W.Board			R6312	06S15593Y61	RES,RK 332F 1/10 -CP
MAIN-P.W.Board			R6313	06S15593Y61	RES,RK 332F 1/10 -CP
MAIN-P.W.Board			R6314	06S15593Y61	RES,RK 332F 1/10 -CP
MAIN-P.W.Board			R6315	06S15593Y55	RES,RK 182F 1/10 -CP
MAIN-P.W.Board			R6316	06S15593Y41	RES,RK 471F 1/10 -CP
MAIN-P.W.Board			R6317	06S15593Y47	RES,RK 821F 1/10 -CP
MAIN-P.W.Board			R6318	06S15593Y41	RES,RK 471F 1/10 -CP

Mark Model Code

#1 IVA-D105(North American) Only,

\$1 IVA-D105E(General Foreign)(Region3) Only,

%1 IVA-D105E(General Foreign)(Region4) Only,

&1 IVA-D105E(Chinese) Only,

Others:Common.

NOTE:The part that has not PART NUMBER will not be supplied.

P.W.Board	MIS	MODEL	Ref.	Parts No.	Parts Name
MAIN-P.W.Board			R6319	06S15593Y47	RES,RK 821F 1/10 -CP
MAIN-P.W.Board			R6320	06S15593Y41	RES,RK 471F 1/10 -CP
MAIN-P.W.Board			R6321	06S15593Y47	RES,RK 821F 1/10 -CP
MAIN-P.W.Board			R6322	06S15593Y53	RES,RK 152F 1/10 -CP
MAIN-P.W.Board			R6323	06S15593Y55	RES,RK 182F 1/10 -CP
MAIN-P.W.Board			R6324	06S15594Y04	RES,RK 184F 1/10 -CP
MAIN-P.W.Board			R6325	06S15594Y04	RES,RK 184F 1/10 -CP
MAIN-P.W.Board			R6326	06S15594Y04	RES,RK 184F 1/10 -CP
MAIN-P.W.Board			R6327	06S15593Y42	RES,RK 511F 1/10 -CP
MAIN-P.W.Board			R6328	06S15593Y49	RES,RK 102F 1/10 -CP
MAIN-P.W.Board			R6329	06S15593Y42	RES,RK 511F 1/10 -CP
MAIN-P.W.Board			R6330	06S15593Y49	RES,RK 102F 1/10 -CP
MAIN-P.W.Board			R6331	06S15593Y42	RES,RK 511F 1/10 -CP
MAIN-P.W.Board			R6332	06S15593Y49	RES,RK 102F 1/10 -CP
MAIN-P.W.Board			R6333	06S15593Y51	RES,RK 122F 1/10 -CP
MAIN-P.W.Board			R6334	06S15593Y56	RES,RK 202F 1/10 -CP
MAIN-P.W.Board			R6335	06S15593Y25	RES,RK 101F 1/10 -CP
MAIN-P.W.Board			R6336	06S15593Y25	RES,RK 101F 1/10 -CP
MAIN-P.W.Board			R6337	06S15593Y25	RES,RK 101F 1/10 -CP
MAIN-P.W.Board			R6338	06S15593Y25	RES,RK 101F 1/10 -CP
MAIN-P.W.Board			R6339	06S15593Y53	RES,RK 152F 1/10 -CP
MAIN-P.W.Board			R6340	06S15593Y53	RES,RK 152F 1/10 -CP
MAIN-P.W.Board			R6341	06S15593Y53	RES,RK 152F 1/10 -CP
MAIN-P.W.Board			R6342	06S15593Y49	RES,RK 102F 1/10 -CP
MAIN-P.W.Board			R6343	06S15593Y81	RES,RK 223F 1/10 -CP
MAIN-P.W.Board			R6345	06S15593Y89	RES,RK 473F 1/10 -CP
MAIN-P.W.Board			R6346	06S55361Y65	RES,RK 102J 1/4 -CP
MAIN-P.W.Board			R6347	06S55361Y33	RES,RK 47RJ 1/4 -CP
MAIN-P.W.Board			R6348	06S55361Y89	RES,RK 103J 1/4 -CP
MAIN-P.W.Board			R6349	06S55361Y33	RES,RK 47RJ 1/4 -CP
MAIN-P.W.Board			R6350	06S55361Y73	RES,RK 222J 1/4 -CP
MAIN-P.W.Board			R6351	06S55361Y65	RES,RK 102J 1/4 -CP
MAIN-P.W.Board			R6352	06S55361Y30	RES,RK 36RJ 1/4 -CP
MAIN-P.W.Board			R6353	06S55361Y31	RES,RK 39RJ 1/4 -CP
MAIN-P.W.Board			R6354	06S55361Y30	RES,RK 36RJ 1/4 -CP
MAIN-P.W.Board			R6355	06S55361Y31	RES,RK 39RJ 1/4 -CP
MAIN-P.W.Board			R6356	06S55361Y30	RES,RK 36RJ 1/4 -CP
MAIN-P.W.Board			R6357	06S55361Y31	RES,RK 39RJ 1/4 -CP
MAIN-P.W.Board			R6358	06S55361Y65	RES,RK 102J 1/4 -CP
MAIN-P.W.Board			R6359	06S15593Y89	RES,RK 473F 1/10 -CP
MAIN-P.W.Board			R6360	06S15593Y89	RES,RK 473F 1/10 -CP
MAIN-P.W.Board		#1	R6400	06S15593Y73	RES,RK 103F 1/10 -CP
MAIN-P.W.Board			R6401	06S15593Y73	RES,RK 103F 1/10 -CP
MAIN-P.W.Board			R6402	06S15593Y89	RES,RK 473F 1/10 -CP

Mark Model Code

#1 IVA-D105(North American) Only,

\$1 IVA-D105E(General Foreign)(Region3) Only,

%1 IVA-D105E(General Foreign)(Region4) Only,

&1 IVA-D105E(Chinese) Only,

Others:Common.

NOTE:The part that has not PART NUMBER will not be supplied.

P.W.Board	MIS	MODEL	Ref.	Parts No.	Parts Name
-----------	-----	-------	------	-----------	------------

MAIN-P.W.Board			R6403	06S15593Y89	RES,RK 473F 1/10 -CP
MAIN-P.W.Board			R6404	06S15593Y89	RES,RK 473F 1/10 -CP
MAIN-P.W.Board		#1	R6405	06S55361Y89	RES,RK 103J 1/4 -CP
MAIN-P.W.Board			R6406	06S55361Y89	RES,RK 103J 1/4 -CP
MAIN-P.W.Board			R6407	06S55361Y89	RES,RK 103J 1/4 -CP
MAIN-P.W.Board			R6408	06S55361Y89	RES,RK 103J 1/4 -CP
MAIN-P.W.Board			R6409	06S55361Y89	RES,RK 103J 1/4 -CP
MAIN-P.W.Board			R7000	06S15593Y13	RES,RK 33RF 1/10 -CP
MAIN-P.W.Board			R7001	06S15593Y13	RES,RK 33RF 1/10 -CP
MAIN-P.W.Board			R7002	06S15593Y01	RES,RK 10RF 1/10 -CP
MAIN-P.W.Board			R7003	06S15593Y13	RES,RK 33RF 1/10 -CP
MAIN-P.W.Board			R7004	06S15593Y21	RES,RK 68RF 1/10 -CP
MAIN-P.W.Board			R7005	06S15593Y85	RES,RK 333F 1/10 -CP
MAIN-P.W.Board			R7006	06S15593Y81	RES,RK 223F 1/10 -CP
MAIN-P.W.Board			R7009	06S15593Y25	RES,RK 101F 1/10 -CP
MAIN-P.W.Board			R7011	06S15593Y13	RES,RK 33RF 1/10 -CP
MAIN-P.W.Board			R7012	06S15593Y13	RES,RK 33RF 1/10 -CP
MAIN-P.W.Board			R7013	06S15593Y13	RES,RK 33RF 1/10 -CP
MAIN-P.W.Board			R7014	06S15593Y13	RES,RK 33RF 1/10 -CP
MAIN-P.W.Board			R7015	06S15593Y13	RES,RK 33RF 1/10 -CP
MAIN-P.W.Board			R7100	06S15593Y51	RES,RK 122F 1/10 -CP
MAIN-P.W.Board			R7101	06S15593Y51	RES,RK 122F 1/10 -CP
MAIN-P.W.Board			R7102	06S15593Y51	RES,RK 122F 1/10 -CP
MAIN-P.W.Board			R7103	06S15593Y51	RES,RK 122F 1/10 -CP
MAIN-P.W.Board			R7104	06S15593Y51	RES,RK 122F 1/10 -CP
MAIN-P.W.Board			R7105	06S15593Y51	RES,RK 122F 1/10 -CP
MAIN-P.W.Board			R7106	06S15593Y91	RES,RK 563F 1/10 -CP
MAIN-P.W.Board			R7107	06S15593Y91	RES,RK 563F 1/10 -CP
MAIN-P.W.Board			R7108	06S15593Y91	RES,RK 563F 1/10 -CP
MAIN-P.W.Board			R7109	06S15593Y91	RES,RK 563F 1/10 -CP
MAIN-P.W.Board			R7110	06S15593Y91	RES,RK 563F 1/10 -CP
MAIN-P.W.Board			R7111	06S15593Y91	RES,RK 563F 1/10 -CP
MAIN-P.W.Board			R7112	06S15593Y75	RES,RK 123F 1/10 -CP
MAIN-P.W.Board			R7113	06S15593Y75	RES,RK 123F 1/10 -CP
MAIN-P.W.Board			R7114	06S15593Y75	RES,RK 123F 1/10 -CP
MAIN-P.W.Board			R7115	06S15593Y75	RES,RK 123F 1/10 -CP
MAIN-P.W.Board			R7116	06S15593Y75	RES,RK 123F 1/10 -CP
MAIN-P.W.Board			R7117	06S15593Y75	RES,RK 123F 1/10 -CP
MAIN-P.W.Board			R7118	06S15593Y77	RES,RK 153F 1/10 -CP
MAIN-P.W.Board			R7119	06S15593Y77	RES,RK 153F 1/10 -CP
MAIN-P.W.Board			R7120	06S15593Y77	RES,RK 153F 1/10 -CP
MAIN-P.W.Board			R7121	06S15593Y77	RES,RK 153F 1/10 -CP
MAIN-P.W.Board			R7122	06S15593Y77	RES,RK 153F 1/10 -CP
MAIN-P.W.Board			R7123	06S15593Y77	RES,RK 153F 1/10 -CP

Mark Model Code

#1 IVA-D105(North American) Only,



\$1 IVA-D105E(General Foreign)(Region3) Only,

%1 IVA-D105E(General Foreign)(Region4) Only,

&1 IVA-D105E(Chinese) Only,

Others:Common.

NOTE:The part that has not PART NUMBER will not be supplied.

P.W.Board	MIS	MODEL	Ref.	Parts No.	Parts Name
MAIN-P.W.Board			R7124	06S15593Y90	RES,RK 513F 1/10 -CP
MAIN-P.W.Board			R7125	06S15593Y90	RES,RK 513F 1/10 -CP
MAIN-P.W.Board			R7126	06S15593Y90	RES,RK 513F 1/10 -CP
MAIN-P.W.Board			R7127	06S15593Y90	RES,RK 513F 1/10 -CP
MAIN-P.W.Board			R7128	06S15593Y90	RES,RK 513F 1/10 -CP
MAIN-P.W.Board			R7129	06S15593Y90	RES,RK 513F 1/10 -CP
MAIN-P.W.Board			R7130	06S15593Y65	RES,RK 472F 1/10 -CP
MAIN-P.W.Board			R7131	06S15593Y65	RES,RK 472F 1/10 -CP
MAIN-P.W.Board			R7132	06S15593Y65	RES,RK 472F 1/10 -CP
MAIN-P.W.Board			R7133	06S15593Y65	RES,RK 472F 1/10 -CP
MAIN-P.W.Board			R7134	06S15593Y65	RES,RK 472F 1/10 -CP
MAIN-P.W.Board			R7135	06S15593Y65	RES,RK 472F 1/10 -CP
MAIN-P.W.Board			R7136	06S15593Y03	RES,RK 12RF 1/10 -CP
MAIN-P.W.Board			R7137	06S15593Y03	RES,RK 12RF 1/10 -CP
MAIN-P.W.Board			R7138	06S15593Y03	RES,RK 12RF 1/10 -CP
MAIN-P.W.Board			R7139	06S15593Y03	RES,RK 12RF 1/10 -CP
MAIN-P.W.Board			R7140	06S15593Y03	RES,RK 12RF 1/10 -CP
MAIN-P.W.Board			R7141	06S15593Y03	RES,RK 12RF 1/10 -CP
MAIN-P.W.Board			R7200	06S15593Y09	RES,RK 22RF 1/10 -CP
MAIN-P.W.Board			R7201	06S15593Y09	RES,RK 22RF 1/10 -CP
MAIN-P.W.Board			R7202	06S15593Y37	RES,RK 331F 1/10 -CP
MAIN-P.W.Board			R7203	06S15593Y37	RES,RK 331F 1/10 -CP
MAIN-P.W.Board			R7204	06S15593Y37	RES,RK 331F 1/10 -CP
MAIN-P.W.Board			R7205	06S15593Y37	RES,RK 331F 1/10 -CP
MAIN-P.W.Board			RA5000	06S45591W07	RES,ARY MNR101J 4-CP
MAIN-P.W.Board			RA7000	06S45591W20	RES,ARY MNR33RJ 4-CP
MAIN-P.W.Board			RA7001	06S45591W20	RES,ARY MNR33RJ 4-CP
MAIN-P.W.Board			SA1000	48-00954Z01	VST,CSA30C201M-T -CP
MAIN-P.W.Board			SD3000	48T15368Y01	DIO,SHT EC31QS04L-E1
MAIN-P.W.Board			SD3001	48T15368Y01	DIO,SHT EC31QS04L-E1
MAIN-P.W.Board			SW2000	40T45282W02	SW,SLIDE SLD-42-508X
MAIN-P.W.Board			TH5000	48T25250Y06	TMT,ERTJ1VR223G -CP
MAIN-P.W.Board			TU1000	TU-09128Z01	TUNER,MX-A199
MAIN-P.W.Board			VT1000	24T35286Y02	IND,MG56 332J -DB
MAIN-P.W.Board			XL5001	91-04265Z01	XTL,AT-51CD2 5.0M-E7
MAIN-P.W.Board			XL6000	91-04265Z02	XTL,AT-51CD2 4.0M-E7
MAIN-P.W.Board			Z7000	91T15509Y10	EMI,BK1608LL121 -CP
MAIN-P.W.Board			Z7001	91T15509Y04	EMI,BK1608HM121 -CP
MAIN-P.W.Board			Z7002	91T15509Y04	EMI,BK1608HM121 -CP
MAIN-P.W.Board			ZD3000	48-02592Z01	DIO,ZEN Z5W27VJ -EA
MAIN-P.W.Board			ZD6000	48T35392Y06	DIO,ZEN RLZ7.5A -CP
MAIN-P.W.Board			ZD6001	48-01607Z19	DIO,ZEN LUDZ5.6B -CP
MAIN-P.W.Board			ZD6002	48T35392Y06	DIO,ZEN RLZ7.5A -CP
MAIN-P.W.Board			ZD6100	48-01607Z19	DIO,ZEN LUDZ5.6B -CP

Mark Model Code

#1 IVA-D105(North American) Only,

\$1 IVA-D105E(General Foreign)(Region3) Only,

%1 IVA-D105E(General Foreign)(Region4) Only,

&1 IVA-D105E(Chinese) Only,

Others:Common.

NOTE:The part that has not PART NUMBER will not be supplied.

P.W.Board	MIS	MODEL	Ref.	Parts No.	Parts Name
-----------	-----	-------	------	-----------	------------

MAIN-P.W.Board			ZD6101	48-01607Z19	DIO,ZEN LUDZ5.6B -CP
MAIN-P.W.Board			ZD6200	48-01607Z16	DIO,ZEN LUDZ5.1B -CP
MAIN-P.W.Board			ZD6300	48-01607Z19	DIO,ZEN LUDZ5.6B -CP
MAIN-P.W.Board			ZD6301	48-01607Z19	DIO,ZEN LUDZ5.6B -CP
MAIN-P.W.Board			ZD6302	48-01607Z19	DIO,ZEN LUDZ5.6B -CP
MONI-P.W.Board			C8001	08S45676W85	CAP,CER 104K-B1C -CP
MONI-P.W.Board			C8002	08T65555Y01	CAP,CER 226K-BJ0J-CP
MONI-P.W.Board			C8003	08T65555Y01	CAP,CER 226K-BJ0J-CP
MONI-P.W.Board			C8004	08S45676W85	CAP,CER 104K-B1C -CP
MONI-P.W.Board			C8005	08S45677W60	CAP,CER 102J-CH1H-CP
MONI-P.W.Board			C8006	08S45676W85	CAP,CER 104K-B1C -CP
MONI-P.W.Board			C8007	08S35374W11	CAP,CER 475K-B0J -CP
MONI-P.W.Board			C8008	08S45677W60	CAP,CER 102J-CH1H-CP
MONI-P.W.Board			C8009	08S45677W60	CAP,CER 102J-CH1H-CP
MONI-P.W.Board			C8010	08S45677W11	CAP,CER 9R0D-CH1H-CP
MONI-P.W.Board			C8011	08S45677W18	CAP,CER.18RJ-CH1H-CP
MONI-P.W.Board			C8012	08S45677W10	CAP,CER 8R0D-CH1H-CP
MONI-P.W.Board			C8013	08S45677W18	CAP,CER.18RJ-CH1H-CP
MONI-P.W.Board			C8014	08S45676W73	CAP,CER.103K-B1H -CP
MONI-P.W.Board			C8015	08S45676W73	CAP,CER.103K-B1H -CP
MONI-P.W.Board			C8016	08S45676W85	CAP,CER 104K-B1C -CP
MONI-P.W.Board			C8017	08S45676W85	CAP,CER 104K-B1C -CP
MONI-P.W.Board			C8018	08S45676W73	CAP,CER.103K-B1H -CP
MONI-P.W.Board			C8019	08S45676W80	CAP,CER 223K-B1E -CP
MONI-P.W.Board			C8101	08S45676W85	CAP,CER 104K-B1C -CP
MONI-P.W.Board			C8102	08S45677W60	CAP,CER 102J-CH1H-CP
MONI-P.W.Board			C8103	08S45677W60	CAP,CER 102J-CH1H-CP
MONI-P.W.Board			C8301	08T65555Y01	CAP,CER 226K-BJ0J-CP
MONI-P.W.Board			C8302	08T65555Y01	CAP,CER 226K-BJ0J-CP
MONI-P.W.Board			C8303	08S35349Y16	CAP,CER 105K-B1A -CP
MONI-P.W.Board			C8304	08S45676W85	CAP,CER 104K-B1C -CP
MONI-P.W.Board			C8305	08S45676W73	CAP,CER.103K-B1H -CP
MONI-P.W.Board			C8306	08S45676W73	CAP,CER.103K-B1H -CP
MONI-P.W.Board			C8307	08S45676W73	CAP,CER.103K-B1H -CP
MONI-P.W.Board			C8308	08S45676W73	CAP,CER.103K-B1H -CP
MONI-P.W.Board			C8309	08S45676W73	CAP,CER.103K-B1H -CP
MONI-P.W.Board			C8310	08S45676W73	CAP,CER.103K-B1H -CP
MONI-P.W.Board			C8311	08S35349Y16	CAP,CER 105K-B1A -CP
MONI-P.W.Board			C8312	08S35374W12	CAP,CER 106K-B0J -CP
MONI-P.W.Board			C8313	08S45677W36	CAP,CER.101J-CH1H-CP
MONI-P.W.Board			C8314	08S65670Y01	CAP,CER 106KX5R1C-CP
MONI-P.W.Board			C8316	08S65670Y01	CAP,CER 106KX5R1C-CP
MONI-P.W.Board			C8318	08S35349Y16	CAP,CER 105K-B1A -CP
MONI-P.W.Board			C8319	08S45677W10	CAP,CER 8R0D-CH1H-CP

Mark Model Code

#1 IVA-D105(North American) Only,

\$1 IVA-D105E(General Foreign)(Region3) Only,

%1 IVA-D105E(General Foreign)(Region4) Only,

&1 IVA-D105E(Chinese) Only,

Others:Common.

NOTE:The part that has not PART NUMBER will not be supplied.

P.W.Board	MIS	MODEL	Ref.	Parts No.	Parts Name
-----------	-----	-------	------	-----------	------------

MONI-P.W.Board			C8322	08S45676W71	CAP,CER.682K-B1H -CP
MONI-P.W.Board			C8323	08S45676W85	CAP,CER 104K-B1C -CP
MONI-P.W.Board			C8324	08T65555Y01	CAP,CER 226K-BJ0J-CP
MONI-P.W.Board			C8325	08T65555Y01	CAP,CER 226K-BJ0J-CP
MONI-P.W.Board			C8326	08S45676W85	CAP,CER 104K-B1C -CP
MONI-P.W.Board			C8327	08S45676W73	CAP,CER.103K-B1H -CP
MONI-P.W.Board			C8328	08S35349Y15	CAP,CER 474K-B1A -CP
MONI-P.W.Board			C8329	08S45677W10	CAP,CER 8R0D-CH1H-CP
MONI-P.W.Board			C8330	08S45676W73	CAP,CER.103K-B1H -CP
MONI-P.W.Board			C8334	08S65670Y01	CAP,CER 106KX5R1C-CP
MONI-P.W.Board			C8336	08S65670Y01	CAP,CER 106KX5R1C-CP
MONI-P.W.Board			C8337	08S65670Y01	CAP,CER 106KX5R1C-CP
MONI-P.W.Board			C8338	08S45676W80	CAP,CER 223K-B1E -CP
MONI-P.W.Board			C8339	08S45676W85	CAP,CER 104K-B1C -CP
MONI-P.W.Board			C8340	08S45676W80	CAP,CER 223K-B1E -CP
MONI-P.W.Board			C8341	08T81833F10	CAP,CER 106K-B0J -CP
MONI-P.W.Board			C8401	08S45677W36	CAP,CER.101J-CH1H-CP
MONI-P.W.Board			C8402	08S45677W36	CAP,CER.101J-CH1H-CP
MONI-P.W.Board			C8403	08S45677W36	CAP,CER.101J-CH1H-CP
MONI-P.W.Board			C8404	08S45677W36	CAP,CER.101J-CH1H-CP
MONI-P.W.Board			C8405	08S45677W60	CAP,CER 102J-CH1H-CP
MONI-P.W.Board			C8406	08S45676W80	CAP,CER 223K-B1E -CP
MONI-P.W.Board			C8407	08S45677W15	CAP,CER 13RJ-CH1H-CP
MONI-P.W.Board			C8408	08S45676W80	CAP,CER 223K-B1E -CP
MONI-P.W.Board			C8409	08S45676W80	CAP,CER 223K-B1E -CP
MONI-P.W.Board			C8410	08S45677W15	CAP,CER 13RJ-CH1H-CP
MONI-P.W.Board			C8411	08S45676W80	CAP,CER 223K-B1E -CP
MONI-P.W.Board			C8412	08S45676W80	CAP,CER 223K-B1E -CP
MONI-P.W.Board			C8413	08S45676W80	CAP,CER 223K-B1E -CP
MONI-P.W.Board			C8414	08S35349Y12	CAP,CER 105K-B0J -CP
MONI-P.W.Board			C8415	08S45676W85	CAP,CER 104K-B1C -CP
MONI-P.W.Board			C8416	08S45676W80	CAP,CER 223K-B1E -CP
MONI-P.W.Board			C8417	08S45676W80	CAP,CER 223K-B1E -CP
MONI-P.W.Board			C8418	08T65555Y01	CAP,CER 226K-BJ0J-CP
MONI-P.W.Board			C8419	08T65555Y01	CAP,CER 226K-BJ0J-CP
MONI-P.W.Board			C8420	08T65555Y01	CAP,CER 226K-BJ0J-CP
MONI-P.W.Board			C8502	08S45676W80	CAP,CER 223K-B1E -CP
MONI-P.W.Board			C8503	08S45677W52	CAP,CER 471J-CH1H-CP
MONI-P.W.Board			C8504	08S45676W85	CAP,CER 104K-B1C -CP
MONI-P.W.Board			C8505	08S45677W34	CAP,CER.82RJ-CH1H-CP
MONI-P.W.Board			C8507	08S45677W60	CAP,CER 102J-CH1H-CP
MONI-P.W.Board			C8508	08S45677W60	CAP,CER 102J-CH1H-CP
MONI-P.W.Board			C8509	08S45677W24	CAP,CER 33RJ-CH1H-CP
MONI-P.W.Board			C8510	08S65667Y01	CAP,CER 224KX5R1C-CP

Mark Model Code

#1 IVA-D105(North American) Only,

\$1 IVA-D105E(General Foreign)(Region3) Only,

%1 IVA-D105E(General Foreign)(Region4) Only,

&1 IVA-D105E(Chinese) Only,

Others:Common.

NOTE:The part that has not PART NUMBER will not be supplied.

P.W.Board	MIS	MODEL	Ref.	Parts No.	Parts Name
-----------	-----	-------	------	-----------	------------

MONI-P.W.Board			C8511	08S45676W85	CAP,CER 104K-B1C -CP
MONI-P.W.Board			C8512	08S45676W85	CAP,CER 104K-B1C -CP
MONI-P.W.Board			C8513	08S45676W80	CAP,CER 223K-B1E -CP
MONI-P.W.Board			C8514	08S45677W24	CAP,CER 33RJ-CH1H-CP
MONI-P.W.Board			C8515	08S45677W24	CAP,CER 33RJ-CH1H-CP
MONI-P.W.Board			C8516	08S35374W12	CAP,CER 106K-B0J -CP
MONI-P.W.Board			C8517	08S45676W85	CAP,CER 104K-B1C -CP
MONI-P.W.Board			C8518	08S35349Y12	CAP,CER 105K-B0J -CP
MONI-P.W.Board			C8519	08S45676W80	CAP,CER 223K-B1E -CP
MONI-P.W.Board			C8520	08S45677W24	CAP,CER 33RJ-CH1H-CP
MONI-P.W.Board			C8521	08S60102F48	CAP,CER 105K-B1E -CP
MONI-P.W.Board			C8522	08S45677W24	CAP,CER 33RJ-CH1H-CP
MONI-P.W.Board			C8523	08S45677W60	CAP,CER 102J-CH1H-CP
MONI-P.W.Board			C8525	08S45676W85	CAP,CER 104K-B1C -CP
MONI-P.W.Board			C8526	08S45677W54	CAP,CER 561J-CH1H-CP
MONI-P.W.Board			C8527	08S45676W85	CAP,CER 104K-B1C -CP
MONI-P.W.Board			C8528	08S45676W85	CAP,CER 104K-B1C -CP
MONI-P.W.Board			C8529	08S45677W60	CAP,CER 102J-CH1H-CP
MONI-P.W.Board			C8530	08S45677W36	CAP,CER.101J-CH1H-CP
MONI-P.W.Board			C8531	08S45677W48	CAP,CER.331J-CH1H-CP
MONI-P.W.Board			C8532	08S45677W44	CAP,CER.221J-CH1H-CP
MONI-P.W.Board			C8600	08S60102F48	CAP,CER 105K-B1E -CP
MONI-P.W.Board			C8602	08S65670Y01	CAP,CER 106KX5R1C-CP
MONI-P.W.Board			C8603	08S65670Y01	CAP,CER 106KX5R1C-CP
MONI-P.W.Board			C8604	08S45676W80	CAP,CER 223K-B1E -CP
MONI-P.W.Board			C8605	08S65670Y01	CAP,CER 106KX5R1C-CP
MONI-P.W.Board			C8606	08S65670Y01	CAP,CER 106KX5R1C-CP
MONI-P.W.Board			C8608	08S35350Y04	CAP,CER 105K-B1C -CP
MONI-P.W.Board			C8612	08S65670Y01	CAP,CER 106KX5R1C-CP
MONI-P.W.Board			C8613	08S45676W80	CAP,CER 223K-B1E -CP
MONI-P.W.Board			C8614	08S65670Y01	CAP,CER 106KX5R1C-CP
MONI-P.W.Board			C8615	08S35374W12	CAP,CER 106K-B0J -CP
MONI-P.W.Board			C8616	08S45676W80	CAP,CER 223K-B1E -CP
MONI-P.W.Board			C8617	08S35374W12	CAP,CER 106K-B0J -CP
MONI-P.W.Board			C8702	08S65670Y01	CAP,CER 106KX5R1C-CP
MONI-P.W.Board			C8704	08S65676Y05	CAP,CER 105KX7R1E-CP
MONI-P.W.Board			C8705	08S65674Y03	CAP,CER 225KX5R1A-CP
MONI-P.W.Board			C8706	08S45231Y35	CAP,CER 4R7J-CH1H-CP
MONI-P.W.Board			C8707	08S65667Y01	CAP,CER 224KX5R1C-CP
MONI-P.W.Board			C8708	08S65667Y01	CAP,CER 224KX5R1C-CP
MONI-P.W.Board			C8709	08S65677Y02	CAP,CER 475KX7R1E-CP
MONI-P.W.Board			C8710	08S35349Y21	CAP,CER 104K-B1H -CP
MONI-P.W.Board			C8711	08S35349Y21	CAP,CER 104K-B1H -CP
MONI-P.W.Board			C8712	08S65670Y02	CAP,CER 225KX5R1E-CP

Mark Model Code

#1 IVA-D105(North American) Only,

\$1 IVA-D105E(General Foreign)(Region3) Only,

%1 IVA-D105E(General Foreign)(Region4) Only,

&1 IVA-D105E(Chinese) Only,

Others:Common.

NOTE:The part that has not PART NUMBER will not be supplied.

P.W.Board	MIS	MODEL	Ref.	Parts No.	Parts Name
-----------	-----	-------	------	-----------	------------

MONI-P.W.Board			C8713	08S45231Y13	CAP,CER 10RD-CH1H-CP
MONI-P.W.Board			C8714	08S45676W85	CAP,CER 104K-B1C -CP
MONI-P.W.Board			C8715	08S45676W73	CAP,CER.103K-B1H -CP
MONI-P.W.Board			C8716	08S45676W73	CAP,CER.103K-B1H -CP
MONI-P.W.Board			C8717	08S65670Y01	CAP,CER 106KX5R1C-CP
MONI-P.W.Board			C8718	08S35349Y17	CAP,CER 225K-B0J -CP
MONI-P.W.Board			C8719	08S35374W08	CAP,CER 474K-B1C -CP
MONI-P.W.Board			C8721	08S35349Y12	CAP,CER 105K-B0J -CP
MONI-P.W.Board			C8722	08S45676W73	CAP,CER.103K-B1H -CP
MONI-P.W.Board			C8723	08S45676W85	CAP,CER 104K-B1C -CP
MONI-P.W.Board			C8724	08S45676W63	CAP,CER 152K-B1H -CP
MONI-P.W.Board			C8725	08S45676W89	CAP,CER 473K-B1E -CP
MONI-P.W.Board			C8726	08S45677W44	CAP,CER.221J-CH1H-CP
MONI-P.W.Board			C8727	08S45676W89	CAP,CER 473K-B1E -CP
MONI-P.W.Board			C8728	08S45676W73	CAP,CER.103K-B1H -CP
MONI-P.W.Board			C8729	08S45676W85	CAP,CER 104K-B1C -CP
MONI-P.W.Board			C8730	08S65670Y01	CAP,CER 106KX5R1C-CP
MONI-P.W.Board			C8731	08S65670Y01	CAP,CER 106KX5R1C-CP
MONI-P.W.Board			C8732	08S45676W73	CAP,CER.103K-B1H -CP
MONI-P.W.Board			C8733	08S65676Y03	CAP,CER 225KX7R1C-CP
MONI-P.W.Board			C8734	08S45677W60	CAP,CER 102J-CH1H-CP
MONI-P.W.Board			C8735	08-02639Z06	CAP,CER 10RJ-CG3F-E1
MONI-P.W.Board			C8736	08T65555Y01	CAP,CER 226K-BJ0J-CP
MONI-P.W.Board			C8737	08S35374W07	CAP,CER 334K-B1C -CP
MONI-P.W.Board			C8738	08S45676W80	CAP,CER 223K-B1E -CP
MONI-P.W.Board			C8739	08T65555Y01	CAP,CER 226K-BJ0J-CP
MONI-P.W.Board			C8741	08S65670Y01	CAP,CER 106KX5R1C-CP
MONI-P.W.Board			CB8001	09T15548Y09	WTB,SM(9)B-SRSS -E7
MONI-P.W.Board			CB8101	09T55174Y04	FFC,IMSA9616S-04Y-E9
MONI-P.W.Board			CB8201	09T15548Y02	WTB,SM(2)B-SRSS -E2
MONI-P.W.Board			CB8301	09T15536Y32	FFC,FH12-32S-0.5S-ED
MONI-P.W.Board			CB8302	09T15548Y05	WTB,SM(5)B-SRSS -E5
MONI-P.W.Board			CB8601	09T25408Y32	FFC,FH12A-32S-0.5-ED
MONI-P.W.Board			CB8701	09T85214W02	WTB,SM02(8)B-BHS -E9
MONI-P.W.Board			D8001	48T45701Y01	DIO,MA2S728-TX -CP
MONI-P.W.Board			D8002	48T45701Y01	DIO,MA2S728-TX -CP
MONI-P.W.Board			D8101	48T85357W01	DIO,1PS226 -CP
MONI-P.W.Board			D8102	48T85357W01	DIO,1PS226 -CP
MONI-P.W.Board			D8201	48T25665Y01	DIO,1SS355-TE17 -CP
MONI-P.W.Board			D8501	48T25665Y01	DIO,1SS355-TE17 -CP
MONI-P.W.Board			D8701	48T25665Y01	DIO,1SS355-TE17 -CP
MONI-P.W.Board			D8702	48T25665Y01	DIO,1SS355-TE17 -CP
MONI-P.W.Board			D8703	48T25665Y01	DIO,1SS355-TE17 -CP
MONI-P.W.Board			D8704	48T25665Y01	DIO,1SS355-TE17 -CP

Mark Model Code

#1 IVA-D105(North American) Only,

\$1 IVA-D105E(General Foreign)(Region3) Only,

%1 IVA-D105E(General Foreign)(Region4) Only,

&1 IVA-D105E(Chinese) Only,

Others:Common.

NOTE:The part that has not PART NUMBER will not be supplied.

P.W.Board	MIS	MODEL	Ref.	Parts No.	Parts Name
MONI-P.W.Board			D8705	48T45107W01	DIO,SI -DAN217 -CP
MONI-P.W.Board			D8706	48T25665Y01	DIO,1SS355-TE17 -CP
MONI-P.W.Board			D8707	48T25665Y01	DIO,1SS355-TE17 -CP
MONI-P.W.Board			F8701	65-02867Z03	FUSE,TF10AN 0.80A-CP
MONI-P.W.Board		#1	IC8001	53-10753Z96	INL,V1.001RAAL602A_F
MONI-P.W.Board		\$1	IC8001	53-10753Z98	INL,V1.001RAAP702A_F
MONI-P.W.Board		%1	IC8001	53-10753Z98	INL,V1.001RAAP702A_F
MONI-P.W.Board		&1	IC8001	53-10753Z98	INL,V1.001RAAP702A_F
MONI-P.W.Board			IC8002	51T65777Y02	BR24L04FVM-WTR -SE1
MONI-P.W.Board			IC8301	51-02431Z01	RB5P0090M -QT
MONI-P.W.Board			IC8302	51T25404Y02	TC7W53FU-TE12L -SE1
MONI-P.W.Board			IC8303	51T25183Y02	TC7SET08FU-EL -CP
MONI-P.W.Board			IC8401	51T65562Y06	LC74735NWH-8A14-E-QT
MONI-P.W.Board			IC8502	51T35235Y01	TC7SET32FU-TE85L -CP
MONI-P.W.Board			IC8503	51T45577Y01	LZ9GH29 -QT
MONI-P.W.Board			IC8504	51T15194Y01	TC74VHCT08AFT-EL-SE5
MONI-P.W.Board			IC8505	51T25491Y01	NJM2107F-TE1 -CP
MONI-P.W.Board			IC8702	51-05988Z01	LT3472 -NE2
MONI-P.W.Board			IC8703	51T25711Y02	BA05SFP-E2 -NE5
MONI-P.W.Board			IC8704	51T93332F02	NJM2903V-TE2 -SE2
MONI-P.W.Board			IC8705	51-02203Z01	OZ964ISN-L -SE5
MONI-P.W.Board			IC8707	51T25183Y02	TC7SET08FU-EL -CP
MONI-P.W.Board			L8301	24T95458W01	FBI,BLM31PG500SH1-CP
MONI-P.W.Board			L8501	24S45108Y30	IND,MA1608 15RK -CP
MONI-P.W.Board			L8502	24S45108Y21	IND,MA1608 2R7K -CP
MONI-P.W.Board			L8601	24T25164Y18	IND,FSLM2520 2R7J-CP
MONI-P.W.Board			L8701	24-02145Z09	IND,NLCV32T 22RK -CP
MONI-P.W.Board			L8702	24-02145Z11	IND,NLCV32T 47RK -CP
MONI-P.W.Board			L8703	24-02145Z11	IND,NLCV32T 47RK -CP
MONI-P.W.Board			Q8101	48T63420F03	TR,2SA1037AK-R146-CP
MONI-P.W.Board			Q8102	48T63420F03	TR,2SA1037AK-R146-CP
MONI-P.W.Board			Q8103	48T63420F03	TR,2SA1037AK-R146-CP
MONI-P.W.Board			Q8104	48T63417F03	TR,C2412K-BR-96 -CP
MONI-P.W.Board			Q8105	48T63417F03	TR,C2412K-BR-96 -CP
MONI-P.W.Board			Q8107	48T63419F04	TR,2SA1036K-HR-96-CP
MONI-P.W.Board			Q8108	48T94606F03	TR,DTC124EUA-T106-CP
MONI-P.W.Board			Q8201	48T94582F01	TR,2SC4081-Q -CP
MONI-P.W.Board			Q8202	48T55462Y02	TR,2SB1132-R-T100-E2
MONI-P.W.Board			Q8303	48T63417F03	TR,C2412K-BR-96 -CP
MONI-P.W.Board			Q8304	48T94606F53	TR,DTA124EUA-T106-CP
MONI-P.W.Board			Q8401	48T63419F01	TR,2SA1036K-96 -CP
MONI-P.W.Board			Q8402	48T94606F06	TR,DTC114EUA-T106-CP
MONI-P.W.Board			Q8501	48T94606F05	TR,DTC114TUA-T106-CP
MONI-P.W.Board			Q8502	48T63461F03	TR,2SC2411K-CQ-96-CP

Mark Model Code

#1 IVA-D105(North American) Only,

\$1 IVA-D105E(General Foreign)(Region3) Only,

%1 IVA-D105E(General Foreign)(Region4) Only,

&1 IVA-D105E(Chinese) Only,

Others:Common.

NOTE:The part that has not PART NUMBER will not be supplied.

P.W.Board	MIS	MODEL	Ref.	Parts No.	Parts Name
-----------	-----	-------	------	-----------	------------

MONI-P.W.Board			Q8701	48T75205Y01	TR,FMC2A-T148 -CP
MONI-P.W.Board			Q8702	48T75205Y01	TR,FMC2A-T148 -CP
MONI-P.W.Board			Q8703	48T75011W01	TR,2SD1782K-PQR-6-CP
MONI-P.W.Board			Q8704	48T75460Y01	FET,SP8M3-TB -E2
MONI-P.W.Board			Q8705	48T94582F01	TR,2SC4081-Q -CP
MONI-P.W.Board			Q8706	48T94606F01	TR,DTC144EUA-T106-CP
MONI-P.W.Board			Q8707	48T75460Y01	FET,SP8M3-TB -E2
MONI-P.W.Board			R8001	06S15593Y41	RES,RK 471F 1/10 -CP
MONI-P.W.Board			R8002	06S15593Y25	RES,RK 101F 1/10 -CP
MONI-P.W.Board			R8003	06S15593Y25	RES,RK 101F 1/10 -CP
MONI-P.W.Board			R8005	06S15593Y25	RES,RK 101F 1/10 -CP
MONI-P.W.Board			R8006	06S15593Y25	RES,RK 101F 1/10 -CP
MONI-P.W.Board			R8007	06S15593Y25	RES,RK 101F 1/10 -CP
MONI-P.W.Board			R8008	06S15593Y25	RES,RK 101F 1/10 -CP
MONI-P.W.Board			R8009	06S15593Y25	RES,RK 101F 1/10 -CP
MONI-P.W.Board			R8010	06S15593Y25	RES,RK 101F 1/10 -CP
MONI-P.W.Board			R8011	06S15593Y25	RES,RK 101F 1/10 -CP
MONI-P.W.Board			R8012	06S15593Y25	RES,RK 101F 1/10 -CP
MONI-P.W.Board			R8013	06S15593Y25	RES,RK 101F 1/10 -CP
MONI-P.W.Board			R8014	06S15593Y25	RES,RK 101F 1/10 -CP
MONI-P.W.Board			R8015	06S15593Y25	RES,RK 101F 1/10 -CP
MONI-P.W.Board			R8016	06S15593Y89	RES,RK 473F 1/10 -CP
MONI-P.W.Board			R8017	06S15593Y25	RES,RK 101F 1/10 -CP
MONI-P.W.Board			R8018	06S15593Y25	RES,RK 101F 1/10 -CP
MONI-P.W.Board			R8019	06S15593Y65	RES,RK 472F 1/10 -CP
MONI-P.W.Board			R8020	06S15593Y65	RES,RK 472F 1/10 -CP
MONI-P.W.Board			R8022	06S15593Y33	RES,RK 221F 1/10 -CP
MONI-P.W.Board			R8032	06S15593Y25	RES,RK 101F 1/10 -CP
MONI-P.W.Board			R8034	06S15593Y25	RES,RK 101F 1/10 -CP
MONI-P.W.Board			R8036	06S15593Y25	RES,RK 101F 1/10 -CP
MONI-P.W.Board			R8042	06S15593Y25	RES,RK 101F 1/10 -CP
MONI-P.W.Board			R8044	06S15593Y25	RES,RK 101F 1/10 -CP
MONI-P.W.Board			R8045	06S15593Y25	RES,RK 101F 1/10 -CP
MONI-P.W.Board			R8046	06S15593Y25	RES,RK 101F 1/10 -CP
MONI-P.W.Board			R8048	06S15593Y25	RES,RK 101F 1/10 -CP
MONI-P.W.Board			R8050	06S15593Y81	RES,RK 223F 1/10 -CP
MONI-P.W.Board			R8051	06S15593Y41	RES,RK 471F 1/10 -CP
MONI-P.W.Board			R8052	06S15593Y83	RES,RK 273F 1/10 -CP
MONI-P.W.Board			R8056	06S15593Y25	RES,RK 101F 1/10 -CP
MONI-P.W.Board			R8058	06S15593Y41	RES,RK 471F 1/10 -CP
MONI-P.W.Board			R8059	06S15593Y41	RES,RK 471F 1/10 -CP
MONI-P.W.Board			R8061	06S15593Y81	RES,RK 223F 1/10 -CP
MONI-P.W.Board			R8062	06S15593Y81	RES,RK 223F 1/10 -CP
MONI-P.W.Board			R8101	06S15593Y25	RES,RK 101F 1/10 -CP

Mark Model Code

#1 IVA-D105(North American) Only,

\$1 IVA-D105E(General Foreign)(Region3) Only,

%1 IVA-D105E(General Foreign)(Region4) Only,

&1 IVA-D105E(Chinese) Only,

Others:Common.

NOTE:The part that has not PART NUMBER will not be supplied.

P.W.Board	MIS	MODEL	Ref.	Parts No.	Parts Name
-----------	-----	-------	------	-----------	------------

MONI-P.W.Board			R8102	06S15593Y25	RES,RK 101F 1/10 -CP
MONI-P.W.Board			R8103	06S35083Y29	RES,RK 222F 1/4 -CP
MONI-P.W.Board			R8104	06S35083Y29	RES,RK 222F 1/4 -CP
MONI-P.W.Board			R8105	06S15593Y97	RES,RK 104F 1/10 -CP
MONI-P.W.Board			R8106	06S15593Y01	RES,RK 10RF 1/10 -CP
MONI-P.W.Board			R8107	06S15593Y09	RES,RK 22RF 1/10 -CP
MONI-P.W.Board			R8108	06S15593Y97	RES,RK 104F 1/10 -CP
MONI-P.W.Board			R8109	06S15593Y57	RES,RK 222F 1/10 -CP
MONI-P.W.Board			R8110	06S15593Y73	RES,RK 103F 1/10 -CP
MONI-P.W.Board			R8111	06S15593Y65	RES,RK 472F 1/10 -CP
MONI-P.W.Board			R8112	06S15593Y73	RES,RK 103F 1/10 -CP
MONI-P.W.Board			R8113	06S15593Y57	RES,RK 222F 1/10 -CP
MONI-P.W.Board			R8114	06S15593Y82	RES,RK 243F 1/10 -CP
MONI-P.W.Board			R8115	06S15593Y73	RES,RK 103F 1/10 -CP
MONI-P.W.Board			R8116	06S15593Y82	RES,RK 243F 1/10 -CP
MONI-P.W.Board			R8117	06S15593Y65	RES,RK 472F 1/10 -CP
MONI-P.W.Board			R8118	06S15593Y82	RES,RK 243F 1/10 -CP
MONI-P.W.Board			R8119	06S15593Y81	RES,RK 223F 1/10 -CP
MONI-P.W.Board			R8120	06S15593Y57	RES,RK 222F 1/10 -CP
MONI-P.W.Board			R8201	06S15593Y65	RES,RK 472F 1/10 -CP
MONI-P.W.Board			R8202	06S15593Y82	RES,RK 243F 1/10 -CP
MONI-P.W.Board			R8203	06S15593Y89	RES,RK 473F 1/10 -CP
MONI-P.W.Board			R8204	06S15593Y37	RES,RK 331F 1/10 -CP
MONI-P.W.Board			R8301	06S15593Y49	RES,RK 102F 1/10 -CP
MONI-P.W.Board			R8302	06S15593Y25	RES,RK 101F 1/10 -CP
MONI-P.W.Board			R8303	06S15593Y49	RES,RK 102F 1/10 -CP
MONI-P.W.Board			R8304	06S15593Y79	RES,RK 183F 1/10 -CP
MONI-P.W.Board			R8305	06S15593Y49	RES,RK 102F 1/10 -CP
MONI-P.W.Board			R8306	06S15593Y49	RES,RK 102F 1/10 -CP
MONI-P.W.Board			R8307	06S15593Y35	RES,RK 271F 1/10 -CP
MONI-P.W.Board			R8308	06S15593Y43	RES,RK 561F 1/10 -CP
MONI-P.W.Board			R8309	06S15593Y31	RES,RK 181F 1/10 -CP
MONI-P.W.Board			R8310	06S15593Y33	RES,RK 221F 1/10 -CP
MONI-P.W.Board			R8311	06S35083Y82	RES,RK 36RF 1/4 -CP
MONI-P.W.Board			R8312	06S35083Y08	RES,RK 39RF 1/4 -CP
MONI-P.W.Board			R8313	06S15593Y25	RES,RK 101F 1/10 -CP
MONI-P.W.Board			R8314	06S15593Y45	RES,RK 681F 1/10 -CP
MONI-P.W.Board			R8315	06S15594Y22	RES,RK 105F 1/10 -CP
MONI-P.W.Board			R8316	06S15593Y57	RES,RK 222F 1/10 -CP
MONI-P.W.Board			R8319	06S15594Y22	RES,RK 105F 1/10 -CP
MONI-P.W.Board			R8320	06S15593Y25	RES,RK 101F 1/10 -CP
MONI-P.W.Board			R8321	06S15593Y25	RES,RK 101F 1/10 -CP
MONI-P.W.Board			R8322	06S15593Y25	RES,RK 101F 1/10 -CP
MONI-P.W.Board			R8323	06S15593Y73	RES,RK 103F 1/10 -CP

Mark Model Code

#1 IVA-D105(North American) Only,

\$1 IVA-D105E(General Foreign)(Region3) Only,

%1 IVA-D105E(General Foreign)(Region4) Only,

&1 IVA-D105E(Chinese) Only,

Others:Common.

NOTE:The part that has not PART NUMBER will not be supplied.

P.W.Board	MIS	MODEL	Ref.	Parts No.	Parts Name
-----------	-----	-------	------	-----------	------------

MONI-P.W.Board			R8324	06S15593Y67	RES,RK 562F 1/10 -CP
MONI-P.W.Board			R8326	06S55366Y39	RES,RK JUMPER1/10-CP
MONI-P.W.Board			R8327	06S15593Y71	RES,RK 822F 1/10 -CP
MONI-P.W.Board			R8329	06S15593Y51	RES,RK 122F 1/10 -CP
MONI-P.W.Board			R8330	06S15593Y55	RES,RK 182F 1/10 -CP
MONI-P.W.Board			R8331	06S15593Y49	RES,RK 102F 1/10 -CP
MONI-P.W.Board			R8332	06S15593Y49	RES,RK 102F 1/10 -CP
MONI-P.W.Board			R8333	06S15593Y89	RES,RK 473F 1/10 -CP
MONI-P.W.Board			R8334	06S15593Y89	RES,RK 473F 1/10 -CP
MONI-P.W.Board			R8335	06S15593Y49	RES,RK 102F 1/10 -CP
MONI-P.W.Board			R8337	06S55366Y39	RES,RK JUMPER1/10-CP
MONI-P.W.Board			R8338	06S55366Y39	RES,RK JUMPER1/10-CP
MONI-P.W.Board			R8339	06S55366Y39	RES,RK JUMPER1/10-CP
MONI-P.W.Board			R8401	06S15593Y73	RES,RK 103F 1/10 -CP
MONI-P.W.Board			R8402	06S15593Y49	RES,RK 102F 1/10 -CP
MONI-P.W.Board			R8410	06S15593Y21	RES,RK 68RF 1/10 -CP
MONI-P.W.Board			R8411	06S15593Y25	RES,RK 101F 1/10 -CP
MONI-P.W.Board			R8420	06S55366Y39	RES,RK JUMPER1/10-CP
MONI-P.W.Board			R8421	06S15593Y58	RES,RK 242F 1/10 -CP
MONI-P.W.Board			R8422	06S15593Y33	RES,RK 221F 1/10 -CP
MONI-P.W.Board			R8423	06S15593Y33	RES,RK 221F 1/10 -CP
MONI-P.W.Board			R8424	06S15593Y33	RES,RK 221F 1/10 -CP
MONI-P.W.Board			R8502	06S15593Y73	RES,RK 103F 1/10 -CP
MONI-P.W.Board			R8504	06S15593Y25	RES,RK 101F 1/10 -CP
MONI-P.W.Board			R8506	06S15593Y73	RES,RK 103F 1/10 -CP
MONI-P.W.Board			R8507	06S15593Y25	RES,RK 101F 1/10 -CP
MONI-P.W.Board			R8508	06S15593Y89	RES,RK 473F 1/10 -CP
MONI-P.W.Board			R8509	06S15593Y25	RES,RK 101F 1/10 -CP
MONI-P.W.Board			R8510	06S15593Y25	RES,RK 101F 1/10 -CP
MONI-P.W.Board			R8511	06S15593Y25	RES,RK 101F 1/10 -CP
MONI-P.W.Board			R8512	06S15593Y25	RES,RK 101F 1/10 -CP
MONI-P.W.Board			R8513	06S15593Y81	RES,RK 223F 1/10 -CP
MONI-P.W.Board			R8514	06S15593Y25	RES,RK 101F 1/10 -CP
MONI-P.W.Board			R8515	06S15594Y06	RES,RK 224F 1/10 -CP
MONI-P.W.Board			R8516	06S15593Y25	RES,RK 101F 1/10 -CP
MONI-P.W.Board			R8517	06S15594Y22	RES,RK 105F 1/10 -CP
MONI-P.W.Board			R8518	06S15593Y89	RES,RK 473F 1/10 -CP
MONI-P.W.Board			R8519	06S15593Y82	RES,RK 243F 1/10 -CP
MONI-P.W.Board			R8520	06S15593Y39	RES,RK 391F 1/10 -CP
MONI-P.W.Board			R8521	06S15593Y62	RES,RK 362F 1/10 -CP
MONI-P.W.Board			R8522	06S15593Y93	RES,RK 683F 1/10 -CP
MONI-P.W.Board			R8523	06S15593Y67	RES,RK 562F 1/10 -CP
MONI-P.W.Board			R8525	06S15593Y93	RES,RK 683F 1/10 -CP
MONI-P.W.Board			R8526	06S15594Y16	RES,RK 564F 1/10 -CP

Mark Model Code

#1 IVA-D105(North American) Only,

\$1 IVA-D105E(General Foreign)(Region3) Only,

%1 IVA-D105E(General Foreign)(Region4) Only,

&1 IVA-D105E(Chinese) Only,

Others:Common.

NOTE:The part that has not PART NUMBER will not be supplied.

P.W.Board	MIS	MODEL	Ref.	Parts No.	Parts Name
-----------	-----	-------	------	-----------	------------

MONI-P.W.Board			R8527	06S15594Y16	RES,RK 564F 1/10 -CP
MONI-P.W.Board			R8528	06S15594Y22	RES,RK 105F 1/10 -CP
MONI-P.W.Board			R8529	06S15593Y79	RES,RK 183F 1/10 -CP
MONI-P.W.Board			R8530	06S15593Y63	RES,RK 392F 1/10 -CP
MONI-P.W.Board			R8531	06S15593Y57	RES,RK 222F 1/10 -CP
MONI-P.W.Board			R8532	06S15593Y65	RES,RK 472F 1/10 -CP
MONI-P.W.Board			R8533	06S15593Y59	RES,RK 272F 1/10 -CP
MONI-P.W.Board			R8534	06S15593Y61	RES,RK 332F 1/10 -CP
MONI-P.W.Board			R8535	06S15593Y37	RES,RK 331F 1/10 -CP
MONI-P.W.Board			R8536	06S15593Y25	RES,RK 101F 1/10 -CP
MONI-P.W.Board			R8604	06S15593Y21	RES,RK 68RF 1/10 -CP
MONI-P.W.Board			R8605	06S15593Y84	RES,RK 303F 1/10 -CP
MONI-P.W.Board			R8606	06S15593Y79	RES,RK 183F 1/10 -CP
MONI-P.W.Board			R8608	06S15593Y73	RES,RK 103F 1/10 -CP
MONI-P.W.Board			R8609	06S15593Y65	RES,RK 472F 1/10 -CP
MONI-P.W.Board			R8610	06S15593Y68	RES,RK 622F 1/10 -CP
MONI-P.W.Board			R8611	06S15593Y81	RES,RK 223F 1/10 -CP
MONI-P.W.Board			R8700	06S55362Y39	RES,RK JUMPER 1/4-CP
MONI-P.W.Board			R8701	06S15593Y81	RES,RK 223F 1/10 -CP
MONI-P.W.Board			R8702	06S55362Y06	RES,RK 473J 1/4 -CP
MONI-P.W.Board			R8705	06S15593Y80	RES,RK 203F 1/10 -CP
MONI-P.W.Board			R8706	06S15593Y49	RES,RK 102F 1/10 -CP
MONI-P.W.Board			R8707	06S15593Y84	RES,RK 303F 1/10 -CP
MONI-P.W.Board			R8708	06S15593Y84	RES,RK 303F 1/10 -CP
MONI-P.W.Board			R8709	06S15593Y75	RES,RK 123F 1/10 -CP
MONI-P.W.Board			R8710	06S15594Y12	RES,RK 394F 1/10 -CP
MONI-P.W.Board			R8711	06S15593Y77	RES,RK 153F 1/10 -CP
MONI-P.W.Board			R8712	06S15593Y79	RES,RK 183F 1/10 -CP
MONI-P.W.Board			R8713	06S15593Y73	RES,RK 103F 1/10 -CP
MONI-P.W.Board			R8714	06S15593Y09	RES,RK 22RF 1/10 -CP
MONI-P.W.Board			R8715	06S15593Y57	RES,RK 222F 1/10 -CP
MONI-P.W.Board			R8716	06S15594Y16	RES,RK 564F 1/10 -CP
MONI-P.W.Board			R8717	06S15593Y73	RES,RK 103F 1/10 -CP
MONI-P.W.Board			R8718	06S15593Y77	RES,RK 153F 1/10 -CP
MONI-P.W.Board			R8719	06S15593Y97	RES,RK 104F 1/10 -CP
MONI-P.W.Board			R8720	06S15593Y77	RES,RK 153F 1/10 -CP
MONI-P.W.Board			R8721	06S15593Y87	RES,RK 393F 1/10 -CP
MONI-P.W.Board			R8723	06S15593Y90	RES,RK 513F 1/10 -CP
MONI-P.W.Board			R8724	06S15593Y82	RES,RK 243F 1/10 -CP
MONI-P.W.Board			R8725	06S15593Y90	RES,RK 513F 1/10 -CP
MONI-P.W.Board			R8726	06S15593Y81	RES,RK 223F 1/10 -CP
MONI-P.W.Board			R8727	06S15593Y73	RES,RK 103F 1/10 -CP
MONI-P.W.Board			R8728	06S15593Y73	RES,RK 103F 1/10 -CP
MONI-P.W.Board			R8729	06S15594Y22	RES,RK 105F 1/10 -CP

Mark Model Code

#1 IVA-D105(North American) Only,

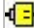
\$1 IVA-D105E(General Foreign)(Region3) Only,

%1 IVA-D105E(General Foreign)(Region4) Only,

&1 IVA-D105E(Chinese) Only,

Others:Common.

NOTE:The part that has not PART NUMBER will not be supplied.

P.W.Board	MIS	MODEL	Ref.	Parts No.	Parts Name
MONI-P.W.Board			R8730	06S15593Y61	RES,RK 332F 1/10 -CP
MONI-P.W.Board			R8731	06S55366Y39	RES,RK JUMPER1/10-CP
MONI-P.W.Board			R8732	06S15593Y40	RES,RK 431F 1/10 -CP
MONI-P.W.Board			R8736	06S15593Y97	RES,RK 104F 1/10 -CP
MONI-P.W.Board			R8737	06S15593Y77	RES,RK 153F 1/10 -CP
MONI-P.W.Board			R8738	06S15593Y53	RES,RK 152F 1/10 -CP
MONI-P.W.Board			R8739	06S15593Y82	RES,RK 243F 1/10 -CP
MONI-P.W.Board			R8740	06S15593Y97	RES,RK 104F 1/10 -CP
MONI-P.W.Board			R8741	06S15593Y66	RES,RK 512F 1/10 -CP
MONI-P.W.Board			RA8001	06S45591W15	RES,ARY MNR472J 4-CP
MONI-P.W.Board			RA8002	06S45591W07	RES,ARY MNR101J 4-CP
MONI-P.W.Board			RA8501	06S45591W07	RES,ARY MNR101J 4-CP
MONI-P.W.Board			RA8502	06S45591W07	RES,ARY MNR101J 4-CP
MONI-P.W.Board			SD8501	48T25247Y01	DIO,SHT MA716-TX -CP
MONI-P.W.Board			T8701	25-01508Z02	TRANS,CIU98 -T
MONI-P.W.Board			TH8501	48T25250Y06	TMT,ERTJ1VR223G -CP
MONI-P.W.Board			TH8701	48T25250Y06	TMT,ERTJ1VR223G -CP
MONI-P.W.Board			VD8501	48T25248Y01	DIO,VAR MA335-TX -CP
MONI-P.W.Board			VR8501	18T25572Y19	VAR,RH03ADC 104-X-CP
MONI-P.W.Board			VR8502	18T25572Y09	VAR,RH03ADC 222-X-CP
MONI-P.W.Board			VR8701	18T25572Y19	VAR,RH03ADC 104-X-CP
MONI-P.W.Board			VR8702	18T25572Y19	VAR,RH03ADC 104-X-CP
MONI-P.W.Board			VT8401	24-07489Z01	COIL,VTR 5CDM -E2
MONI-P.W.Board			XL8001	91T75391Y01	XTL,CM130 32.768K-E5
MONI-P.W.Board			XL8002	91T95084W27	XTL,CS20 4.9152M -E9
MONI-P.W.Board			XL8301	91T95084W13	XTL,CS20 4.43361M-E9
MONI-P.W.Board			XL8302	91T95084W11	XTL,CS20 3.57954M-E9
MONI-P.W.Board			Z8401	91T25741Y03	EMI,CNF20R102S -CP
MONI-P.W.Board			Z8402	91T25741Y03	EMI,CNF20R102S -CP
MONI-P.W.Board			Z8403	91T25741Y03	EMI,CNF20R102S -CP
MONI-P.W.Board			ZD8301	48-01607Z16	DIO,ZEN LUDZ5.1B -CP
MONI-P.W.Board			ZD8501	48-01607Z37	DIO,ZEN LUDZ10B -CP
MONI-P.W.Board			ZD8701	48-01607Z19	DIO,ZEN LUDZ5.6B -CP
MONI-P.W.Board			ZD8702	48-01607Z19	DIO,ZEN LUDZ5.6B -CP
DF-P.W.Board			C4501	08S45676W80	CAP,CER 223K-B1E -CP
DF-P.W.Board			C4520	08S35374W12	CAP,CER 106K-B0J -CP
DF-P.W.Board			C4530	08S45676W94	CAP,CER 563K-B1C -CP
DF-P.W.Board			C4531	08S35349Y12	CAP,CER 105K-B0J -CP
DF-P.W.Board			CB4501	09T65033Y16	BTB,CAM-C73-016 -EF
DF-P.W.Board			IC4520	51-01707Z01	RS-771 -NE2
DF-P.W.Board			IC4530	51T55185Y02	TPS850 -CP
DF-P.W.Board			LD4540	48T15521Y02	LED,RED SML-310LT-CP
DF-P.W.Board			LD4580	48-05731Z01	LED,BLU SML012BCT-CP
DF-P.W.Board			LD4582	48-07697Z01	LED,BLU SML512BC5TCP

Mark Model Code

#1 IVA-D105(North American) Only,



\$1 IVA-D105E(General Foreign)(Region3) Only,

%1 IVA-D105E(General Foreign)(Region4) Only,

&1 IVA-D105E(Chinese) Only,

Others:Common.

NOTE:The part that has not PART NUMBER will not be supplied.

P.W.Board	MIS	MODEL	Ref.	Parts No.	Parts Name
DF-P.W.Board			LD4583	48-07697Z01	LED,BLU SML512BC5TCP
DF-P.W.Board			LD4584	48-07697Z01	LED,BLU SML512BC5TCP
DF-P.W.Board			LD4585	48-07697Z01	LED,BLU SML512BC5TCP
DF-P.W.Board			LD4587	48-07697Z01	LED,BLU SML512BC5TCP
DF-P.W.Board			LD4589	48-07697Z01	LED,BLU SML512BC5TCP
DF-P.W.Board			Q4540	48T63417F01	TR,2SC2412K-96 -CP
DF-P.W.Board			Q4580	48T63788F01	TR,2SD1328-TX -CP
DF-P.W.Board			R4501	06S55361Y91	RES,RK 123J 1/4 -CP
DF-P.W.Board			R4510	06S15593Y84	RES,RK 303F 1/10 -CP
DF-P.W.Board			R4511	06S15593Y73	RES,RK 103F 1/10 -CP
DF-P.W.Board			R4512	06S15593Y66	RES,RK 512F 1/10 -CP
DF-P.W.Board			R4513	06S15593Y60	RES,RK 302F 1/10 -CP
DF-P.W.Board			R4514	06S45348Y04	RES,RK 202F 1/4 -CP
DF-P.W.Board			R4520	06S55361Y33	RES,RK 47RJ 1/4 -CP
DF-P.W.Board			R4521	06S55361Y65	RES,RK 102J 1/4 -CP
DF-P.W.Board			R4530	06S55361Y33	RES,RK 47RJ 1/4 -CP
DF-P.W.Board			R4531	06S15594Y10	RES,RK 334F 1/10 -CP
DF-P.W.Board			R4532	06S55361Y65	RES,RK 102J 1/4 -CP
DF-P.W.Board			R4540	06S55361Y67	RES,RK 122J 1/4 -CP
DF-P.W.Board			R4541	06S64995F61	RES,RK 222J 1/8 -CP
DF-P.W.Board			R4542	06S45674W69	RES,RK 332J 1/10 -CP
DF-P.W.Board			R4580	06S55361Y65	RES,RK 102J 1/4 -CP
DF-P.W.Board			R4581	06S55363Y58	RES,RK 511J 1/8 -CP
DF-P.W.Board			R4582	06S64995F47	RES,RK 561J 1/8 -CP
DF-P.W.Board			R4583	06S55363Y58	RES,RK 511J 1/8 -CP
DF-P.W.Board			R4585	06S55361Y65	RES,RK 102J 1/4 -CP
DF-P.W.Board			R4586	06S55363Y69	RES,RK 152J 1/8 -CP
DF-P.W.Board			R4590	06S15594Y23	RES,RK JUMPER1/10-CP
DF-P.W.Board			SW4510	40T45279Y07	ENC,EC09E15244 -DB
DF-P.W.Board			SW4511	40T65353Y01	SW,TACT SKRSPACE010E2
DF-P.W.Board			SW4512	40T65353Y01	SW,TACT SKRSPACE010E2
DF-P.W.Board			SW4513	40T65353Y01	SW,TACT SKRSPACE010E2
DF-P.W.Board			SW4515	40T65353Y01	SW,TACT SKRSPACE010E2
DF-P.W.Board			SW4516	40T65353Y01	SW,TACT SKRSPACE010E2
DF-P.W.Board			ZD4500	48-01607Z19	DIO,ZEN LUDZ5.6B -CP
ESC-P.W.Board			CB4600	09T75225Y20	FFC,51374-2093 -E7
ESC-P.W.Board			CH4600	09T65215Y66	BTB,CAM-C74-016 -B
ESC-P.W.Board			R4600	06S15594Y23	RES,RK JUMPER1/10-CP
ESC-P.W.Board			R4601	06S15593Y73	RES,RK 103F 1/10 -CP
ESC-P.W.Board			R4602	06S64995F57	RES,RK 152J 1/8 -CP
ESC-P.W.Board			R4603	06S64995F53	RES,RK 102J 1/8 -CP
ESC-P.W.Board			R4604	06S64995F57	RES,RK 152J 1/8 -CP
ESC-P.W.Board			R4605	06S55363Y41	RES,RK 101J 1/8 -CP
ESC-P.W.Board			R4606	06S64995F53	RES,RK 102J 1/8 -CP

Mark Model Code

#1 IVA-D105(North American) Only,












\$1 IVA-D105E(General Foreign)(Region3) Only,

%1 IVA-D105E(General Foreign)(Region4) Only,

&1 IVA-D105E(Chinese) Only,

Others:Common.

NOTE:The part that has not PART NUMBER will not be supplied.

P.W.Board	MIS	MODEL	Ref.	Parts No.	Parts Name
ESC-P.W.Board			R4608	06S64995F53	RES,RK 102J 1/8 -CP
ESC-P.W.Board			R4609	06S64995F29	RES,RK 101J 1/8 -CP
ESC-P.W.Board			R4610	06S64995F53	RES,RK 102J 1/8 -CP
ESC-P.W.Board			R4611	06S15594Y23	RES,RK JUMPER1/10-CP
ESC-P.W.Board			SW4600	40T65353Y01	SW,TACT SKRSPACE010E2
OPT-P.W.Board			C4700	08S65670Y01	CAP,CER 106KX5R1C-CP
OPT-P.W.Board			C4701	08S45677W12	CAP,CER.10RD-CH1H-CP
OPT-P.W.Board			C4702	08S45676W80	CAP,CER 223K-B1E -CP
OPT-P.W.Board			CB4700	09T25286Y03	WTB,BM(03)B-SRSS -E3
OPT-P.W.Board			IC4700	51T75111W01	TOTX193 -DS
OPT-P.W.Board			R4700	06S15593Y25	RES,RK 101F 1/10 -CP
OPT-P.W.Board			R4701	06S55361Y87	RES,RK 822J 1/4 -CP
MOTOR-P.W.Board			C9000	08S45676W80	CAP,CER 223K-B1E -CP
MOTOR-P.W.Board			C9001	08S45676W80	CAP,CER 223K-B1E -CP
MOTOR-P.W.Board			C9002	08S45676W80	CAP,CER 223K-B1E -CP
MOTOR-P.W.Board			C9003	08S45676W80	CAP,CER 223K-B1E -CP
MOTOR-P.W.Board			C9004	08S45676W80	CAP,CER 223K-B1E -CP
MOTOR-P.W.Board			CB9000	09T15189Y13	FFC,52559-1390 -E9
MOTOR-P.W.Board			CB9001	09T75307W02	WTB,53261-0290 -E6
MOTOR-P.W.Board			D9000	48T25665Y01	DIO,1SS355-TE17 -CP
MOTOR-P.W.Board			D9001	48T25665Y01	DIO,1SS355-TE17 -CP
MOTOR-P.W.Board			E9000	23S65134W81	CAP,ELY 22R-1C(4)-E2
MOTOR-P.W.Board			IC9000	51T75628W02	BA6285AFP-Y-E2 -SE9
MOTOR-P.W.Board			PR9000	48-08268Z01	PHT,INT KU163B -CP
MOTOR-P.W.Board			PR9001	48-08268Z01	PHT,INT KU163B -CP
MOTOR-P.W.Board			Q9000	48T94606F08	TR,DTC143EUA-T106-CP
MOTOR-P.W.Board			Q9001	48T94582F01	TR,2SC4081-Q -CP
MOTOR-P.W.Board			R9000	06S15593Y45	RES,RK 681F 1/10 -CP
MOTOR-P.W.Board			R9001	06S15593Y45	RES,RK 681F 1/10 -CP
MOTOR-P.W.Board			R9003	06S55362Y39	RES,RK JUMPER 1/4-CP
MOTOR-P.W.Board			R9005	06S15593Y89	RES,RK 473F 1/10 -CP
MOTOR-P.W.Board			R9006	06S15593Y89	RES,RK 473F 1/10 -CP
MOTOR-P.W.Board			R9007	06S15593Y39	RES,RK 391F 1/10 -CP
MOTOR-P.W.Board			SW9000	40T15494Y14	SW,DETCT SPVG2106-E6
MOTOR-P.W.Board			ZD9000	48T15541Y13	DIO,ZEN MAZS075 -CP
MOTOR-P.W.Board			ZD9001	48T15541Y55	DIO,ZEN MAZS0620M-CP
Miscellaneous			CH9001	09-08576Z01	ASSY,ATFA-0355-01A
Miscellaneous			ET5000	09-09873Z01	ASSY,EDA0014A
Miscellaneous			ET6000	09-09862Z01	ASSY,ATFD-0733-01A
Miscellaneous			ET8101	40-09492Z01	ASSY,EMU601A2A609
Miscellaneous			FR8201	50-02759Z01	ASSY,AFL12A901A
Miscellaneous			LCD8601	65-01708Z02	ASSY,LB065WQ2-TM01
Miscellaneous			M3100	59T55190Y26	MOTOR,F2510CT-12UCV
Miscellaneous			M9001	59T65085W01	MOTOR,LOAD FF-050SK

Mark Model Code

- #1 IVA-D105(North American) Only,
- \$1 IVA-D105E(General Foreign)(Region3) Only,
- %1 IVA-D105E(General Foreign)(Region4) Only,
- &1 IVA-D105E(Chinese) Only,

Others:Common.

NOTE:The part that has not PART NUMBER will not be supplied.

P.W.Board	MIS	MODEL	Ref.	Parts No.	Parts Name
-----------	-----	-------	------	-----------	------------

DV43M06A			C1	08S45232Y11	CAP,CER 103K-B1C -CP
DV43M06A			C2	08S45232Y17	CAP,CER 104K-B0J -CP
DV43M06A			C4	08S45677W54	CAP,CER 561J-CH1H-CP
DV43M06A			C5	08S65668Y04	CAP,CER 104KX5R1A-CP
DV43M06A			C502	08S65670Y01	CAP,CER 106KX5R1C-CP
DV43M06A			C503	08S65670Y01	CAP,CER 106KX5R1C-CP
DV43M06A			C505	08S45231Y29	CAP,CER 221J-CH1H-CP
DV43M06A			C506	08S65670Y01	CAP,CER 106KX5R1C-CP
DV43M06A			C507	08S45232Y05	CAP,CER 102K-B1H -CP
DV43M06A			C514	08S45232Y05	CAP,CER 102K-B1H -CP
DV43M06A			C540	08S45231Y33	CAP,CER 471J-CH1H-CP
DV43M06A			C541	08S45231Y36	CAP,CER 681J-CH1E-CP
DV43M06A			C601	08S45232Y05	CAP,CER 102K-B1H -CP
DV43M06A			C602	08S45232Y05	CAP,CER 102K-B1H -CP
DV43M06A			C603	08S45232Y17	CAP,CER 104K-B0J -CP
DV43M06A			C604	08S45232Y05	CAP,CER 102K-B1H -CP
DV43M06A			C605	08S45232Y05	CAP,CER 102K-B1H -CP
DV43M06A			C606	08S45232Y17	CAP,CER 104K-B0J -CP
DV43M06A			C607	08S45232Y05	CAP,CER 102K-B1H -CP
DV43M06A			C608	08S45232Y05	CAP,CER 102K-B1H -CP
DV43M06A			C609	08S45232Y17	CAP,CER 104K-B0J -CP
DV43M06A			C610	08S45232Y05	CAP,CER 102K-B1H -CP
DV43M06A			C611	08S45232Y05	CAP,CER 102K-B1H -CP
DV43M06A			C612	08S45232Y17	CAP,CER 104K-B0J -CP
DV43M06A			C613	08S45232Y17	CAP,CER 104K-B0J -CP
DV43M06A			C614	08S45232Y05	CAP,CER 102K-B1H -CP
DV43M06A			C615	08S45232Y17	CAP,CER 104K-B0J -CP
DV43M06A			C616	08S45232Y05	CAP,CER 102K-B1H -CP
DV43M06A			C617	08S45232Y05	CAP,CER 102K-B1H -CP
DV43M06A			C618	08S45232Y17	CAP,CER 104K-B0J -CP
DV43M06A			C619	08S45232Y05	CAP,CER 102K-B1H -CP
DV43M06A			C620	08S45232Y05	CAP,CER 102K-B1H -CP
DV43M06A			C621	08S45232Y05	CAP,CER 102K-B1H -CP
DV43M06A			C622	08S45232Y05	CAP,CER 102K-B1H -CP
DV43M06A			C623	08S45232Y17	CAP,CER 104K-B0J -CP
DV43M06A			C624	08S45232Y05	CAP,CER 102K-B1H -CP
DV43M06A			C625	08S45232Y17	CAP,CER 104K-B0J -CP
DV43M06A			C626	08S45232Y17	CAP,CER 104K-B0J -CP
DV43M06A			C627	08S45232Y17	CAP,CER 104K-B0J -CP
DV43M06A			C632	08S45232Y17	CAP,CER 104K-B0J -CP
DV43M06A			C633	08S45232Y05	CAP,CER 102K-B1H -CP
DV43M06A			C652	08T81833F12	CAP,CER 106K-B1A -CP
DV43M06A			C675	08S45231Y23	CAP,CER 68RJ-CH1H-CP
DV43M06A			C676	08S45231Y22	CAP,CER 56RJ-CH1H-CP

Mark Model Code

#1 IVA-D105(North American) Only,

\$1 IVA-D105E(General Foreign)(Region3) Only,

%1 IVA-D105E(General Foreign)(Region4) Only,

&1 IVA-D105E(Chinese) Only,

Others:Common.

NOTE:The part that has not PART NUMBER will not be supplied.

P.W.Board	MIS	MODEL	Ref.	Parts No.	Parts Name
-----------	-----	-------	------	-----------	------------

DV43M06A			C677	08S45231Y13	CAP,CER 10RD-CH1H-CP
DV43M06A			C678	08S45231Y19	CAP,CER 33RJ-CH1H-CP
DV43M06A			C679	08S45231Y22	CAP,CER 56RJ-CH1H-CP
DV43M06A			C702	08S45232Y17	CAP,CER 104K-B0J -CP
DV43M06A			C703	08S45232Y17	CAP,CER 104K-B0J -CP
DV43M06A			C740	08S35349Y12	CAP,CER 105K-B0J -CP
DV43M06A			C741	08S45232Y11	CAP,CER 103K-B1C -CP
DV43M06A			C781	08S65670Y01	CAP,CER 106KX5R1C-CP
DV43M06A			C783	08S45232Y17	CAP,CER 104K-B0J -CP
DV43M06A			C784	08S45232Y05	CAP,CER 102K-B1H -CP
DV43M06A			C785	08S45232Y05	CAP,CER 102K-B1H -CP
DV43M06A			C786	08S45232Y17	CAP,CER 104K-B0J -CP
DV43M06A			C787	08S45232Y17	CAP,CER 104K-B0J -CP
DV43M06A			C788	08S45232Y05	CAP,CER 102K-B1H -CP
DV43M06A			C789	08S45232Y05	CAP,CER 102K-B1H -CP
DV43M06A			C801	08S45232Y17	CAP,CER 104K-B0J -CP
DV43M06A			C806	08S45232Y05	CAP,CER 102K-B1H -CP
DV43M06A			C807	08S45676W87	CAP,CER 333K-B1E -CP
DV43M06A			C808	08S45232Y17	CAP,CER 104K-B0J -CP
DV43M06A			C809	08S45232Y17	CAP,CER 104K-B0J -CP
DV43M06A			C810	08S45232Y17	CAP,CER 104K-B0J -CP
DV43M06A			C811	08S45676W70	CAP,CER 562K-B1H -CP
DV43M06A			C812	08S45676W79	CAP,CER 183K-B1E -CP
DV43M06A			C813	08S45232Y17	CAP,CER 104K-B0J -CP
DV43M06A			C814	08S45232Y17	CAP,CER 104K-B0J -CP
DV43M06A			C815	08S45232Y17	CAP,CER 104K-B0J -CP
DV43M06A			C816	08S45232Y17	CAP,CER 104K-B0J -CP
DV43M06A			C817	08S35349Y16	CAP,CER 105K-B1A -CP
DV43M06A			C818	08S35349Y16	CAP,CER 105K-B1A -CP
DV43M06A			C819	08S45232Y17	CAP,CER 104K-B0J -CP
DV43M06A			C820	08S35374W12	CAP,CER 106K-B0J -CP
DV43M06A			C821	08S45232Y17	CAP,CER 104K-B0J -CP
DV43M06A			C822	08S45232Y17	CAP,CER 104K-B0J -CP
DV43M06A			C823	08S45232Y17	CAP,CER 104K-B0J -CP
DV43M06A			C824	08S45232Y17	CAP,CER 104K-B0J -CP
DV43M06A			C825	08S45232Y17	CAP,CER 104K-B0J -CP
DV43M06A			C826	08S45232Y17	CAP,CER 104K-B0J -CP
DV43M06A			C827	08S45232Y17	CAP,CER 104K-B0J -CP
DV43M06A			C828	08S45232Y11	CAP,CER 103K-B1C -CP
DV43M06A			C829	08S45232Y11	CAP,CER 103K-B1C -CP
DV43M06A			C830	08S45232Y08	CAP,CER 332K-B1H -CP
DV43M06A			C831	08S45232Y08	CAP,CER 332K-B1H -CP
DV43M06A			C832	08S45232Y08	CAP,CER 332K-B1H -CP
DV43M06A			C833	08S45232Y08	CAP,CER 332K-B1H -CP

Mark Model Code

#1 IVA-D105(North American) Only,

\$1 IVA-D105E(General Foreign)(Region3) Only,

%1 IVA-D105E(General Foreign)(Region4) Only,

&1 IVA-D105E(Chinese) Only,

Others:Common.

NOTE:The part that has not PART NUMBER will not be supplied.

P.W.Board	MIS	MODEL	Ref.	Parts No.	Parts Name
DV43M06A			C835	08S45232Y07	CAP,CER 222K-B1H -CP
DV43M06A			C836	08S45232Y07	CAP,CER 222K-B1H -CP
DV43M06A			C837	08S45231Y25	CAP,CER 101J-CH1H-CP
DV43M06A			C838	08S45677W40	CAP,CER.151J-CH1H-CP
DV43M06A			C839	08S45677W40	CAP,CER.151J-CH1H-CP
DV43M06A			C840	08S45231Y25	CAP,CER 101J-CH1H-CP
DV43M06A			C841	08S45677W40	CAP,CER.151J-CH1H-CP
DV43M06A			C842	08S45677W40	CAP,CER.151J-CH1H-CP
DV43M06A			C844	08T81833F13	CAP,CER 106K-B1C -CP
DV43M06A			C852	08S45232Y17	CAP,CER 104K-B0J -CP
DV43M06A			C853	08T81833F13	CAP,CER 106K-B1C -CP
DV43M06A			C854	08T81833F13	CAP,CER 106K-B1C -CP
DV43M06A			C856	08S45232Y17	CAP,CER 104K-B0J -CP
DV43M06A			C857	08S65668Y04	CAP,CER 104KX5R1A-CP
DV43M06A			C860	08S45232Y11	CAP,CER 103K-B1C -CP
DV43M06A			C861	08S65668Y04	CAP,CER 104KX5R1A-CP
DV43M06A			C862	08S35374W10	CAP,CER 225K-B1A -CP
DV43M06A			C863	08S35374W10	CAP,CER 225K-B1A -CP
DV43M06A			C864	08S45232Y17	CAP,CER 104K-B0J -CP
DV43M06A			C865	08S45232Y17	CAP,CER 104K-B0J -CP
DV43M06A			C871	08S45232Y17	CAP,CER 104K-B0J -CP
DV43M06A			C872	08S45232Y17	CAP,CER 104K-B0J -CP
DV43M06A			C873	08S65670Y06	CAP,CER 226KX5R1A-CP
DV43M06A			C874	08S65670Y06	CAP,CER 226KX5R1A-CP
DV43M06A			C877	08S45232Y13	CAP,CER 223K-B1C -CP
DV43M06A			C881	08S65670Y06	CAP,CER 226KX5R1A-CP
DV43M06A			C882	08S65670Y06	CAP,CER 226KX5R1A-CP
DV43M06A			C883	08S35349Y12	CAP,CER 105K-B0J -CP
DV43M06A			C884	08S45676W80	CAP,CER 223K-B1E -CP
DV43M06A			C891	08S65670Y06	CAP,CER 226KX5R1A-CP
DV43M06A			C892	08S65670Y06	CAP,CER 226KX5R1A-CP
DV43M06A			C893	08S35349Y12	CAP,CER 105K-B0J -CP
DV43M06A			C894	08S45676W80	CAP,CER 223K-B1E -CP
DV43M06A			C899	08S45232Y13	CAP,CER 223K-B1C -CP
DV43M06A			C901	08S65667Y05	CAP,CER 105KX5R1A-CP
DV43M06A			C902	08S65667Y05	CAP,CER 105KX5R1A-CP
DV43M06A			C903	08S35374W12	CAP,CER 106K-B0J -CP
DV43M06A			C904	08S65667Y05	CAP,CER 105KX5R1A-CP
DV43M06A			C905	08S45232Y11	CAP,CER 103K-B1C -CP
DV43M06A			C906	08S45232Y17	CAP,CER 104K-B0J -CP
DV43M06A			CB501	09-04228Z07	FFC,IMSA9682S-50Y-ER
DV43M06A			CB502	09-04228Z11	FFC,IMSA9682S-40Y-ER
DV43M06A			CB503	09-04228Z01	FFC,IMSA9682S-10Y-E7
DV43M06A			CB801	09-04228Z05	FFC,IMSA9682S-30Y-ES

Mark Model Code

#1 IVA-D105(North American) Only,

\$1 IVA-D105E(General Foreign)(Region3) Only,

%1 IVA-D105E(General Foreign)(Region4) Only,

&1 IVA-D105E(Chinese) Only,

Others:Common.

NOTE:The part that has not PART NUMBER will not be supplied.

P.W.Board	MIS	MODEL	Ref.	Parts No.	Parts Name
-----------	-----	-------	------	-----------	------------

DV43M06A			CB802	09-04228Z10	FFC,IMSA9682S-34Y-ER
DV43M06A			D726	48-04465Z01	DIO,MA2711100L-TX-CP
DV43M06A			D727	48-04465Z01	DIO,MA2711100L-TX-CP
DV43M06A			IC601	51-07925Z01	MN2DS0016UB -QT
DV43M06A			IC701	53-10989Z03	OFL,V1.200DV43M06A
DV43M06A			IC702	51-00726Z02	MB85R256PFCN-G -ST
DV43M06A			IC781	51-04556Z01	UPD45128163G5-A75-ST
DV43M06A			IC806	51-08553Z01	BU4309G-TR -CP
DV43M06A			IC851	51T55021Y02	BD7905BFS-E2 -SEE
DV43M06A			IC852	51-01579Z01	NJU7011F-TE1 -CP
DV43M06A			IC853	51T35316Y01	TC7S14FU-TE85L -CP
DV43M06A			L501	24T65689Y01	FBI,FBMJ2125HS420-CP
DV43M06A			L502	24T65689Y01	FBI,FBMJ2125HS420-CP
DV43M06A			L503	24T65689Y01	FBI,FBMJ2125HS420-CP
DV43M06A			L504	24T65689Y01	FBI,FBMJ2125HS420-CP
DV43M06A			L820	24T95456W27	FBI,BLM18PG181SH1-CP
DV43M06A			LD1	48-07922Z01	LED,DNP1111R-TR -CP
DV43M06A			Q540	48T45251W53	TR ,UN5112 22-22 -CP
DV43M06A			Q541	48T15656Y01	TR,2SC4617-TL -CP
DV43M06A			Q872	48T25137Y02	TR,UN9212J-TX -CP
DV43M06A			Q873	48T25137Y06	TR,UN9216J-TX -CP
DV43M06A			Q874	48T25137Y06	TR,UN9216J-TX -CP
DV43M06A			Q881	48T75011W01	TR,2SD1782K-PQR-6-CP
DV43M06A			Q882	48T55462Y01	TR,2SB1132-QR-100-E2
DV43M06A			Q891	48T75011W01	TR,2SD1782K-PQR-6-CP
DV43M06A			Q892	48T55462Y01	TR,2SB1132-QR-100-E2
DV43M06A			R1	06S65415Y23	RES,RK 681F 1/16 -CP
DV43M06A			R500	06S15615Y81	RES,RK 223J 1/16 -CP
DV43M06A			R514	06S15615Y81	RES,RK 223J 1/16 -CP
DV43M06A			R515	06S15615Y81	RES,RK 223J 1/16 -CP
DV43M06A			R516	06S15615Y81	RES,RK 223J 1/16 -CP
DV43M06A			R517	06S15615Y81	RES,RK 223J 1/16 -CP
DV43M06A			R518	06S15615Y81	RES,RK 223J 1/16 -CP
DV43M06A			R519	06S15615Y81	RES,RK 223J 1/16 -CP
DV43M06A			R520	06S15615Y81	RES,RK 223J 1/16 -CP
DV43M06A			R521	06S15615Y13	RES,RK 33RJ 1/16 -CP
DV43M06A			R522	06S15615Y13	RES,RK 33RJ 1/16 -CP
DV43M06A			R523	06S15615Y13	RES,RK 33RJ 1/16 -CP
DV43M06A			R524	06S15615Y49	RES,RK 102J 1/16 -CP
DV43M06A			R525	06S15615Y49	RES,RK 102J 1/16 -CP
DV43M06A			R526	06S15615Y65	RES,RK 472J 1/16 -CP
DV43M06A			R527	06S15615Y13	RES,RK 33RJ 1/16 -CP
DV43M06A			R528	06S15615Y13	RES,RK 33RJ 1/16 -CP
DV43M06A			R529	06S15615Y13	RES,RK 33RJ 1/16 -CP

Mark Model Code

#1 IVA-D105(North American) Only,

\$1 IVA-D105E(General Foreign)(Region3) Only,

%1 IVA-D105E(General Foreign)(Region4) Only,

&1 IVA-D105E(Chinese) Only,

Others:Common.

NOTE:The part that has not PART NUMBER will not be supplied.

P.W.Board	MIS	MODEL	Ref.	Parts No.	Parts Name
-----------	-----	-------	------	-----------	------------

DV43M06A			R530	06S15615Y13	RES,RK 33RJ 1/16 -CP
DV43M06A			R531	06S15615Y13	RES,RK 33RJ 1/16 -CP
DV43M06A			R532	06S15615Y13	RES,RK 33RJ 1/16 -CP
DV43M06A			R533	06S15615Y25	RES,RK 101J 1/16 -CP
DV43M06A			R534	06S15615Y25	RES,RK 101J 1/16 -CP
DV43M06A			R535	06S15615Y81	RES,RK 223J 1/16 -CP
DV43M06A			R536	06S15615Y81	RES,RK 223J 1/16 -CP
DV43M06A			R537	06S15615Y17	RES,RK 47RJ 1/16 -CP
DV43M06A			R538	06S15615Y25	RES,RK 101J 1/16 -CP
DV43M06A			R539	06S15615Y25	RES,RK 101J 1/16 -CP
DV43M06A			R540	06S15615Y25	RES,RK 101J 1/16 -CP
DV43M06A			R541	06S15615Y17	RES,RK 47RJ 1/16 -CP
DV43M06A			R542	06S15615Y21	RES,RK 68RJ 1/16 -CP
DV43M06A			R545	06S15615Y25	RES,RK 101J 1/16 -CP
DV43M06A			R546	06S15615Y81	RES,RK 223J 1/16 -CP
DV43M06A			R547	06S15615Y81	RES,RK 223J 1/16 -CP
DV43M06A			R548	06S15615Y81	RES,RK 223J 1/16 -CP
DV43M06A			R549	06S15615Y81	RES,RK 223J 1/16 -CP
DV43M06A			R550	06S15615Y81	RES,RK 223J 1/16 -CP
DV43M06A			R551	06S15615Y81	RES,RK 223J 1/16 -CP
DV43M06A			R552	06S15615Y81	RES,RK 223J 1/16 -CP
DV43M06A			R553	06S15615Y81	RES,RK 223J 1/16 -CP
DV43M06A			R554	06S15615Y81	RES,RK 223J 1/16 -CP
DV43M06A			R555	06S15615Y81	RES,RK 223J 1/16 -CP
DV43M06A			R556	06S15615Y25	RES,RK 101J 1/16 -CP
DV43M06A			R557	06S15615Y25	RES,RK 101J 1/16 -CP
DV43M06A			R558	06S15615Y25	RES,RK 101J 1/16 -CP
DV43M06A			R559	06S15615Y25	RES,RK 101J 1/16 -CP
DV43M06A			R560	06S15615Y25	RES,RK 101J 1/16 -CP
DV43M06A			R561	06S15615Y81	RES,RK 223J 1/16 -CP
DV43M06A			R562	06S15615Y81	RES,RK 223J 1/16 -CP
DV43M06A			R563	06S15615Y81	RES,RK 223J 1/16 -CP
DV43M06A			R564	06S15615Y81	RES,RK 223J 1/16 -CP
DV43M06A			R565	06S15615Y81	RES,RK 223J 1/16 -CP
DV43M06A			R566	06S15615Y81	RES,RK 223J 1/16 -CP
DV43M06A			R567	06S15615Y81	RES,RK 223J 1/16 -CP
DV43M06A			R568	06S15615Y81	RES,RK 223J 1/16 -CP
DV43M06A			R569	06S15615Y81	RES,RK 223J 1/16 -CP
DV43M06A			R570	06S15615Y81	RES,RK 223J 1/16 -CP
DV43M06A			R571	06S15615Y81	RES,RK 223J 1/16 -CP
DV43M06A			R572	06S15615Y81	RES,RK 223J 1/16 -CP
DV43M06A			R573	06S15615Y81	RES,RK 223J 1/16 -CP
DV43M06A			R574	06S15615Y81	RES,RK 223J 1/16 -CP
DV43M06A			R575	06S15615Y81	RES,RK 223J 1/16 -CP

Mark Model Code

#1 IVA-D105(North American) Only,

\$1 IVA-D105E(General Foreign)(Region3) Only,

%1 IVA-D105E(General Foreign)(Region4) Only,

&1 IVA-D105E(Chinese) Only,

Others:Common.

NOTE:The part that has not PART NUMBER will not be supplied.

P.W.Board	MIS	MODEL	Ref.	Parts No.	Parts Name
-----------	-----	-------	------	-----------	------------

DV43M06A			R576	06S15615Y81	RES,RK 223J 1/16 -CP
DV43M06A			R577	06S15615Y17	RES,RK 47RJ 1/16 -CP
DV43M06A			R578	06S15615Y23	RES,RK 82RJ 1/16 -CP
DV43M06A			R579	06S15615Y23	RES,RK 82RJ 1/16 -CP
DV43M06A			R580	06S15615Y17	RES,RK 47RJ 1/16 -CP
DV43M06A			R581	06S15615Y23	RES,RK 82RJ 1/16 -CP
DV43M06A			R582	06S15615Y17	RES,RK 47RJ 1/16 -CP
DV43M06A			R583	06S15615Y23	RES,RK 82RJ 1/16 -CP
DV43M06A			R584	06S15615Y23	RES,RK 82RJ 1/16 -CP
DV43M06A			R585	06S15615Y23	RES,RK 82RJ 1/16 -CP
DV43M06A			R586	06S15615Y23	RES,RK 82RJ 1/16 -CP
DV43M06A			R587	06S15615Y23	RES,RK 82RJ 1/16 -CP
DV43M06A			R588	06S15615Y23	RES,RK 82RJ 1/16 -CP
DV43M06A			R589	06S15615Y23	RES,RK 82RJ 1/16 -CP
DV43M06A			R590	06S15615Y67	RES,RK 562J 1/16 -CP
DV43M06A			R591	06S15615Y73	RES,RK 103J 1/16 -CP
DV43M06A			R6	06S15615Y67	RES,RK 562J 1/16 -CP
DV43M06A			R602	06S15615Y81	RES,RK 223J 1/16 -CP
DV43M06A			R603	06S15615Y81	RES,RK 223J 1/16 -CP
DV43M06A			R604	06S15615Y81	RES,RK 223J 1/16 -CP
DV43M06A			R605	06S15615Y81	RES,RK 223J 1/16 -CP
DV43M06A			R606	06S15615Y81	RES,RK 223J 1/16 -CP
DV43M06A			R607	06S15615Y81	RES,RK 223J 1/16 -CP
DV43M06A			R608	06S15615Y81	RES,RK 223J 1/16 -CP
DV43M06A			R609	06S15615Y81	RES,RK 223J 1/16 -CP
DV43M06A			R610	06S15615Y81	RES,RK 223J 1/16 -CP
DV43M06A			R611	06S15615Y81	RES,RK 223J 1/16 -CP
DV43M06A			R612	06S65415Y37	RES,RK 103F 1/16 -CP
DV43M06A			R613	06S65415Y37	RES,RK 103F 1/16 -CP
DV43M06A			R614	06S15615Y81	RES,RK 223J 1/16 -CP
DV43M06A			R621	06S15615Y65	RES,RK 472J 1/16 -CP
DV43M06A			R671	06S15615Y21	RES,RK 68RJ 1/16 -CP
DV43M06A			R672	06S15615Y25	RES,RK 101J 1/16 -CP
DV43M06A			R673	06S15615Y25	RES,RK 101J 1/16 -CP
DV43M06A			R674	06S15615Y25	RES,RK 101J 1/16 -CP
DV43M06A			R675	06S15615Y23	RES,RK 82RJ 1/16 -CP
DV43M06A			R676	06S15615Y33	RES,RK 221J 1/16 -CP
DV43M06A			R677	06S15615Y19	RES,RK 56RJ 1/16 -CP
DV43M06A			R678	06S15615Y13	RES,RK 33RJ 1/16 -CP
DV43M06A			R679	06S15615Y81	RES,RK 223J 1/16 -CP
DV43M06A			R701	06S15615Y81	RES,RK 223J 1/16 -CP
DV43M06A			R703	06S15615Y81	RES,RK 223J 1/16 -CP
DV43M06A			R704	06S15615Y17	RES,RK 47RJ 1/16 -CP
DV43M06A			R710	06S15615Y81	RES,RK 223J 1/16 -CP

Mark Model Code

#1 IVA-D105(North American) Only,

\$1 IVA-D105E(General Foreign)(Region3) Only,

%1 IVA-D105E(General Foreign)(Region4) Only,

&1 IVA-D105E(Chinese) Only,

Others:Common.

NOTE:The part that has not PART NUMBER will not be supplied.

P.W.Board	MIS	MODEL	Ref.	Parts No.	Parts Name
-----------	-----	-------	------	-----------	------------

DV43M06A			R711	06S15615Y81	RES,RK 223J 1/16 -CP
DV43M06A			R712	06S15615Y81	RES,RK 223J 1/16 -CP
DV43M06A			R713	06S15615Y81	RES,RK 223J 1/16 -CP
DV43M06A			R714	06S15615Y81	RES,RK 223J 1/16 -CP
DV43M06A			R715	06S15615Y81	RES,RK 223J 1/16 -CP
DV43M06A			R716	06S15615Y81	RES,RK 223J 1/16 -CP
DV43M06A			R717	06S15615Y81	RES,RK 223J 1/16 -CP
DV43M06A			R718	06S15615Y81	RES,RK 223J 1/16 -CP
DV43M06A			R719	06S15615Y81	RES,RK 223J 1/16 -CP
DV43M06A			R720	06S15615Y81	RES,RK 223J 1/16 -CP
DV43M06A			R721	06S15615Y81	RES,RK 223J 1/16 -CP
DV43M06A			R722	06S15615Y81	RES,RK 223J 1/16 -CP
DV43M06A			R723	06S15615Y81	RES,RK 223J 1/16 -CP
DV43M06A			R724	06S15615Y81	RES,RK 223J 1/16 -CP
DV43M06A			R725	06S15615Y81	RES,RK 223J 1/16 -CP
DV43M06A			R740	06S65415Y41	RES,RK 223F 1/16 -CP
DV43M06A			R742	06S65415Y24	RES,RK 821F 1/16 -CP
DV43M06A			R743	06S65415Y43	RES,RK 333F 1/16 -CP
DV43M06A			R744	06S15616Y23	RES,RK JUMPER1/16-CP
DV43M06A			R751	06S15616Y23	RES,RK JUMPER1/16-CP
DV43M06A			R752	06S15615Y09	RES,RK 22RJ 1/16 -CP
DV43M06A			R753	06S15615Y21	RES,RK 68RJ 1/16 -CP
DV43M06A			R754	06S15615Y21	RES,RK 68RJ 1/16 -CP
DV43M06A			R755	06S15615Y21	RES,RK 68RJ 1/16 -CP
DV43M06A			R756	06S15615Y21	RES,RK 68RJ 1/16 -CP
DV43M06A			R757	06S15615Y21	RES,RK 68RJ 1/16 -CP
DV43M06A			R758	06S15615Y21	RES,RK 68RJ 1/16 -CP
DV43M06A			R759	06S15615Y21	RES,RK 68RJ 1/16 -CP
DV43M06A			R760	06S15615Y21	RES,RK 68RJ 1/16 -CP
DV43M06A			R761	06S15615Y21	RES,RK 68RJ 1/16 -CP
DV43M06A			R762	06S15615Y21	RES,RK 68RJ 1/16 -CP
DV43M06A			R763	06S15615Y21	RES,RK 68RJ 1/16 -CP
DV43M06A			R764	06S15615Y21	RES,RK 68RJ 1/16 -CP
DV43M06A			R765	06S15615Y21	RES,RK 68RJ 1/16 -CP
DV43M06A			R766	06S15615Y21	RES,RK 68RJ 1/16 -CP
DV43M06A			R767	06S15615Y21	RES,RK 68RJ 1/16 -CP
DV43M06A			R768	06S15615Y21	RES,RK 68RJ 1/16 -CP
DV43M06A			R769	06S15615Y21	RES,RK 68RJ 1/16 -CP
DV43M06A			R770	06S15615Y21	RES,RK 68RJ 1/16 -CP
DV43M06A			R771	06S15615Y21	RES,RK 68RJ 1/16 -CP
DV43M06A			R772	06S15615Y21	RES,RK 68RJ 1/16 -CP
DV43M06A			R780	06S15615Y25	RES,RK 101J 1/16 -CP
DV43M06A			R781	06S15615Y25	RES,RK 101J 1/16 -CP
DV43M06A			R782	06S15615Y25	RES,RK 101J 1/16 -CP

Mark Model Code

#1 IVA-D105(North American) Only,

\$1 IVA-D105E(General Foreign)(Region3) Only,

%1 IVA-D105E(General Foreign)(Region4) Only,

&1 IVA-D105E(Chinese) Only,

Others:Common.

NOTE:The part that has not PART NUMBER will not be supplied.

P.W.Board	MIS	MODEL	Ref.	Parts No.	Parts Name
-----------	-----	-------	------	-----------	------------

DV43M06A			R783	06S15615Y25	RES,RK 101J 1/16 -CP
DV43M06A			R784	06S15615Y25	RES,RK 101J 1/16 -CP
DV43M06A			R785	06S15615Y25	RES,RK 101J 1/16 -CP
DV43M06A			R786	06S15615Y25	RES,RK 101J 1/16 -CP
DV43M06A			R787	06S15615Y25	RES,RK 101J 1/16 -CP
DV43M06A			R788	06S15615Y25	RES,RK 101J 1/16 -CP
DV43M06A			R789	06S15615Y25	RES,RK 101J 1/16 -CP
DV43M06A			R790	06S15615Y25	RES,RK 101J 1/16 -CP
DV43M06A			R791	06S15615Y25	RES,RK 101J 1/16 -CP
DV43M06A			R792	06S15615Y25	RES,RK 101J 1/16 -CP
DV43M06A			R793	06S15615Y25	RES,RK 101J 1/16 -CP
DV43M06A			R794	06S15615Y25	RES,RK 101J 1/16 -CP
DV43M06A			R795	06S15615Y25	RES,RK 101J 1/16 -CP
DV43M06A			R801	06S15615Y25	RES,RK 101J 1/16 -CP
DV43M06A			R802	06S15615Y25	RES,RK 101J 1/16 -CP
DV43M06A			R803	06S15615Y81	RES,RK 223J 1/16 -CP
DV43M06A			R804	06S15615Y81	RES,RK 223J 1/16 -CP
DV43M06A			R805	06S15615Y81	RES,RK 223J 1/16 -CP
DV43M06A			R806	06S15615Y81	RES,RK 223J 1/16 -CP
DV43M06A			R807	06S15615Y25	RES,RK 101J 1/16 -CP
DV43M06A			R808	06S15615Y25	RES,RK 101J 1/16 -CP
DV43M06A			R809	06S15615Y25	RES,RK 101J 1/16 -CP
DV43M06A			R810	06S15615Y73	RES,RK 103J 1/16 -CP
DV43M06A			R811	06S15615Y73	RES,RK 103J 1/16 -CP
DV43M06A			R812	06S15615Y73	RES,RK 103J 1/16 -CP
DV43M06A			R813	06S15615Y73	RES,RK 103J 1/16 -CP
DV43M06A			R814	06S15615Y73	RES,RK 103J 1/16 -CP
DV43M06A			R815	06S15615Y73	RES,RK 103J 1/16 -CP
DV43M06A			R816	06S65415Y31	RES,RK 332F 1/16 -CP
DV43M06A			R819	06S65415Y45	RES,RK 473F 1/16 -CP
DV43M06A			R820	06S15615Y73	RES,RK 103J 1/16 -CP
DV43M06A			R821	06S15615Y81	RES,RK 223J 1/16 -CP
DV43M06A			R822	06S15615Y73	RES,RK 103J 1/16 -CP
DV43M06A			R823	06S15615Y81	RES,RK 223J 1/16 -CP
DV43M06A			R824	06S15615Y25	RES,RK 101J 1/16 -CP
DV43M06A			R825	06S15615Y25	RES,RK 101J 1/16 -CP
DV43M06A			R829	06S15615Y13	RES,RK 33RJ 1/16 -CP
DV43M06A			R830	06S15615Y81	RES,RK 223J 1/16 -CP
DV43M06A			R831	06S15615Y81	RES,RK 223J 1/16 -CP
DV43M06A			R832	06S15615Y81	RES,RK 223J 1/16 -CP
DV43M06A			R833	06S15615Y99	RES,RK 124J 1/16 -CP
DV43M06A			R834	06S15615Y89	RES,RK 473J 1/16 -CP
DV43M06A			R846	06S15615Y81	RES,RK 223J 1/16 -CP
DV43M06A			R847	06S15615Y81	RES,RK 223J 1/16 -CP

Mark Model Code

#1 IVA-D105(North American) Only,

\$1 IVA-D105E(General Foreign)(Region3) Only,

%1 IVA-D105E(General Foreign)(Region4) Only,

&1 IVA-D105E(Chinese) Only,

Others:Common.

NOTE:The part that has not PART NUMBER will not be supplied.

P.W.Board	MIS	MODEL	Ref.	Parts No.	Parts Name
DV43M06A			R851	06S15615Y25	RES,RK 101J 1/16 -CP
DV43M06A			R853	06S55364Y42	RES,RK 1R0J 1/8 -CP
DV43M06A			R854	06S55364Y42	RES,RK 1R0J 1/8 -CP
DV43M06A			R855	06S55364Y42	RES,RK 1R0J 1/8 -CP
DV43M06A			R856	06S55364Y42	RES,RK 1R0J 1/8 -CP
DV43M06A			R857	06S15615Y25	RES,RK 101J 1/16 -CP
DV43M06A			R858	06S15615Y25	RES,RK 101J 1/16 -CP
DV43M06A			R859	06S45674W02	RES,RK 2R7J 1/10 -CP
DV43M06A			R860	06S45674W02	RES,RK 2R7J 1/10 -CP
DV43M06A			R861	06S45674W02	RES,RK 2R7J 1/10 -CP
DV43M06A			R862	06S45674W02	RES,RK 2R7J 1/10 -CP
DV43M06A			R863	06S45674W02	RES,RK 2R7J 1/10 -CP
DV43M06A			R864	06S45674W02	RES,RK 2R7J 1/10 -CP
DV43M06A			R865	06S45674W02	RES,RK 2R7J 1/10 -CP
DV43M06A			R866	06S45674W02	RES,RK 2R7J 1/10 -CP
DV43M06A			R867	06S45674W02	RES,RK 2R7J 1/10 -CP
DV43M06A			R868	06S45674W02	RES,RK 2R7J 1/10 -CP
DV43M06A			R871	06S15615Y49	RES,RK 102J 1/16 -CP
DV43M06A			R872	06S15615Y23	RES,RK 82RJ 1/16 -CP
DV43M06A			R873	06S15615Y23	RES,RK 82RJ 1/16 -CP
DV43M06A			R875	06S15593Y87	RES,RK 393F 1/10 -CP
DV43M06A			R876	06S15593Y87	RES,RK 393F 1/10 -CP
DV43M06A			R877	06S15593Y77	RES,RK 153F 1/10 -CP
DV43M06A			R878	06S15593Y77	RES,RK 153F 1/10 -CP
DV43M06A			R881	06S15615Y35	RES,RK 271J 1/16 -CP
DV43M06A			R882	06S15615Y41	RES,RK 471J 1/16 -CP
DV43M06A			R883	06S15615Y09	RES,RK 22RJ 1/16 -CP
DV43M06A			R885	06S45675W06	RES,RK 104J 1/10 -CP
DV43M06A			R886	06S65522Y19	RES,RK 3R3F 1/4 -CP
DV43M06A			R891	06S15615Y35	RES,RK 271J 1/16 -CP
DV43M06A			R892	06S15615Y41	RES,RK 471J 1/16 -CP
DV43M06A			R893	06S15615Y09	RES,RK 22RJ 1/16 -CP
DV43M06A			R895	06S45675W06	RES,RK 104J 1/10 -CP
DV43M06A			R896	06S65522Y19	RES,RK 3R3F 1/4 -CP
DV43M06A			R898	06S65522Y24	RES,RK 8R2F 1/4 -CP
DV43M06A			R899	06S35083Y52	RES,RK 1R0F 1/4 -CP
DV43M06A			R901	06S65415Y41	RES,RK 223F 1/16 -CP
DV43M06A			R902	06S65415Y33	RES,RK 472F 1/16 -CP
DV43M06A			R903	06S65415Y37	RES,RK 103F 1/16 -CP
DV43M06A			R905	06S65415Y38	RES,RK 123F 1/16 -CP
DV43M06A			R911	06S65415Y19	RES,RK 331F 1/16 -CP
DV43M06A			R912	06S65415Y19	RES,RK 331F 1/16 -CP
DV43M06A			R921	06S65415Y19	RES,RK 331F 1/16 -CP
DV43M06A			R922	06S65415Y19	RES,RK 331F 1/16 -CP

Mark Model Code

#1 IVA-D105(North American) Only,

\$1 IVA-D105E(General Foreign)(Region3) Only,

%1 IVA-D105E(General Foreign)(Region4) Only,

&1 IVA-D105E(Chinese) Only,

Others:Common.

NOTE:The part that has not PART NUMBER will not be supplied.

P.W.Board	MIS	MODEL	Ref.	Parts No.	Parts Name
DV43M06A			R931	06S65415Y19	RES,RK 331F 1/16 -CP
DV43M06A			R932	06S65415Y19	RES,RK 331F 1/16 -CP
DV43M06A			R941	06S65415Y19	RES,RK 331F 1/16 -CP
DV43M06A			R942	06S65415Y19	RES,RK 331F 1/16 -CP
DV43M06A			R951	06S15615Y13	RES,RK 33RJ 1/16 -CP
DV43M06A			R952	06S15615Y81	RES,RK 223J 1/16 -CP
DV43M06A			RA510	06S15771Y12	RES,ARYEXB28V82RJ-CP
DV43M06A			RA511	06S15771Y12	RES,ARYEXB28V82RJ-CP
DV43M06A			RA512	06S15771Y12	RES,ARYEXB28V82RJ-CP
DV43M06A			RA513	06S15771Y12	RES,ARYEXB28V82RJ-CP
DV43M06A			TH801	48T75201Y03	TMT,NCP15XH103F0S-CP
DV43M06A			TH802	48T75201Y03	TMT,NCP15XH103F0S-CP
DV43M06A			VR901	18T25572Y11	VAR,RH03ADC 472-X-CP
DV43M06A			XL601	91T75115Y01	XTL,FXO-64FL2 27M-E2
DV43M06A			Z550	91T75196Y23	EMI,BK1005LL181 -CP
DV43M06A			Z551	91T75196Y23	EMI,BK1005LL181 -CP
DV43M06A			Z552	91T75196Y23	EMI,BK1005LL181 -CP
DV43M06A			Z553	91T75196Y23	EMI,BK1005LL181 -CP
DV43M06A			Z554	91T75196Y23	EMI,BK1005LL181 -CP
DV43M06A			Z671	91T75196Y23	EMI,BK1005LL181 -CP
DV43M06A			Z672	91T75196Y15	EMI,BK1005HM121 -CP
DV43M06A			Z673	91T75196Y15	EMI,BK1005HM121 -CP
DV43M06A			Z674	91T75196Y15	EMI,BK1005HM121 -CP
DV43M06A			Z675	91T75196Y15	EMI,BK1005HM121 -CP
DV43M06A			Z676	91T75196Y16	EMI,BK1005HM241 -CP
DV43M06A			Z677	91T75196Y23	EMI,BK1005LL181 -CP
DV43M06A			Z901	91T75196Y01	EMI,BK1005HM102 -CP
DV43M06A			Z902	91T75196Y01	EMI,BK1005HM102 -CP
DV43M06A			Z903	91T75196Y01	EMI,BK1005HM102 -CP
DV43M06A			Z904	91T75196Y01	EMI,BK1005HM102 -CP
DV43M06A			Z951	91T75196Y19	EMI,BK1005LL220 -CP
DV43M06A			HD1	EP-02357Z01	ED21A710
DV43M06A			PT1	48-04836Z01	PHT,TR PS1191RB22-CP
DV43M06A			M1	59-08691Z01	MOTOR,FF-N30VB-1D180
DV43M06A			M2	59-08652Z01	MOTOR,PM23F-064-APA4
DV43M06A			M3	59-08679Z01	MOTOR,24C030A020
DV43M06A			SW2	40-08757Z02	SW,DETCT ESE18L62CE5
DV43M06A			SW3	40-08757Z01	SW,DETCT ESE18R62CE5
DV43M06A			SW4	40-02984Z02	SW,DETCT SPVN3101-E5
DV43M06A			SW5	40-02984Z02	SW,DETCT SPVN3101-E5
DV43M06A			SW6	40-02984Z02	SW,DETCT SPVN3101-E5

Mark Model Code

#1 IVA-D105(North American) Only,

\$1 IVA-D105E(General Foreign)(Region3) Only,

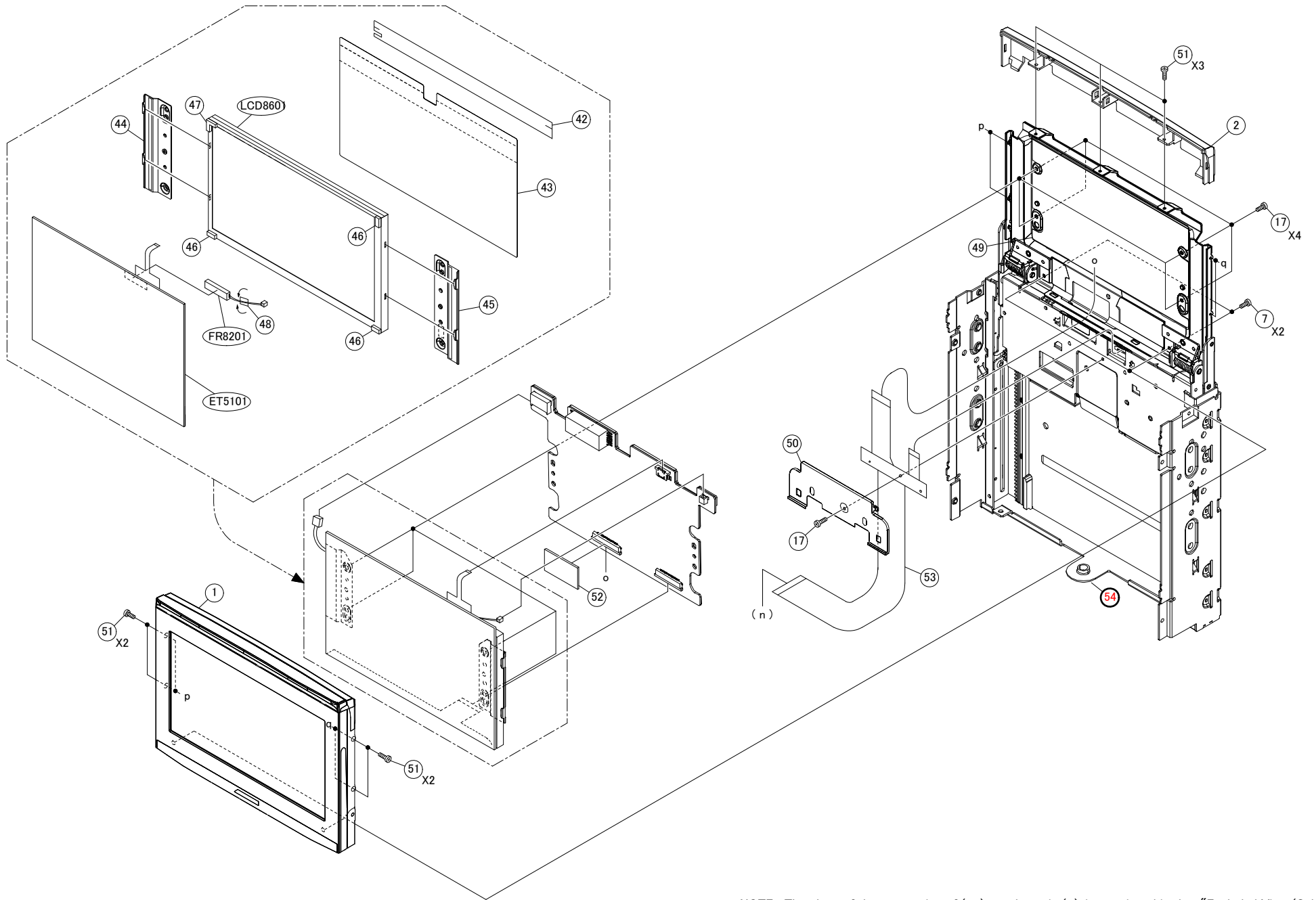
%1 IVA-D105E(General Foreign)(Region4) Only,

&1 IVA-D105E(Chinese) Only,

Others:Common.

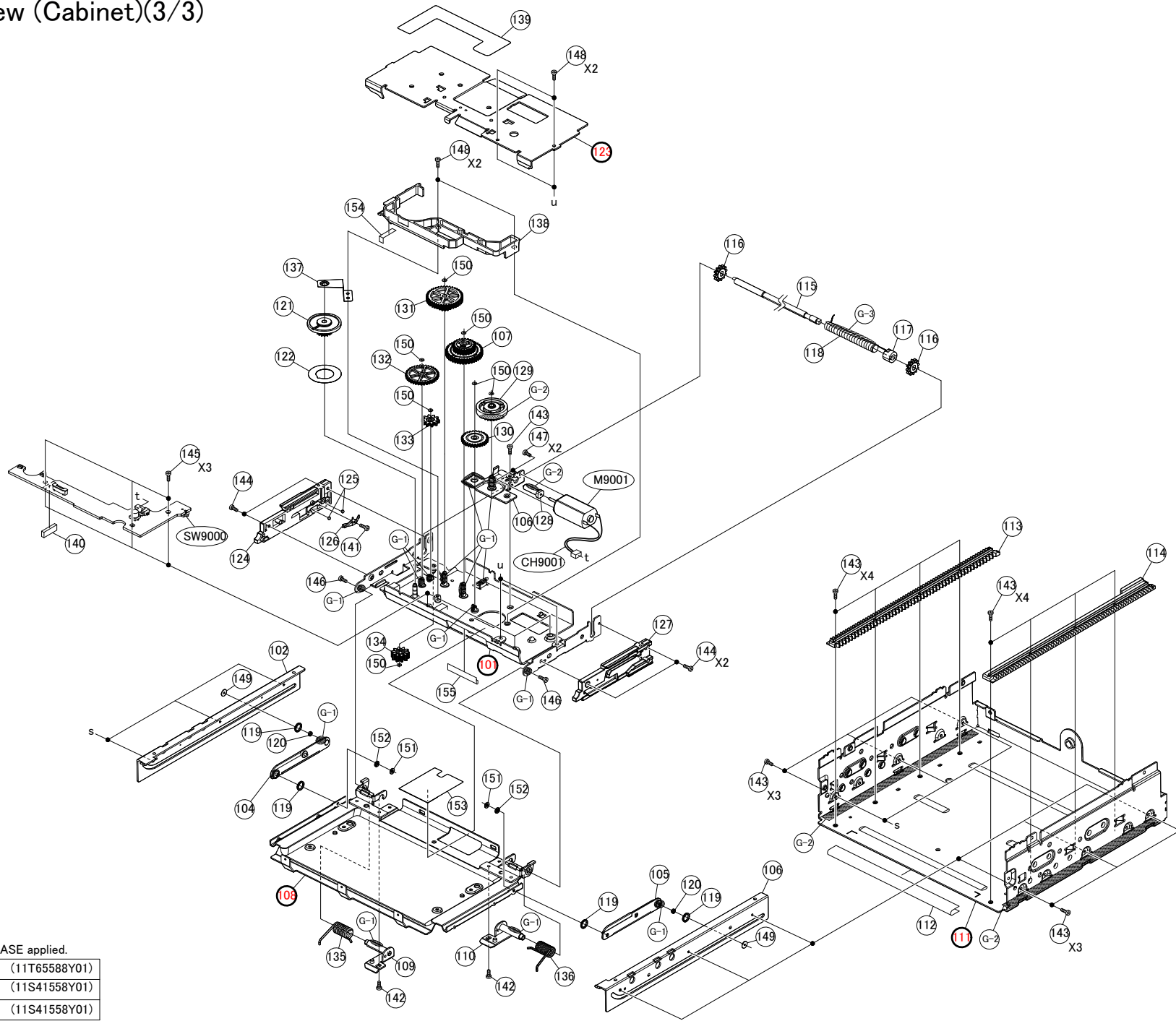
NOTE:The part that has not PART NUMBER will not be supplied.


Exploded View (Cabinet)(2/3)



NOTE : The place of the connection of (n) as shown in (), is mentioned in the "Exploded View (Cabinet) (1

Exploded View (Cabinet)(3/3)



 paint of GREASE applied.

G-1	GREASE,G-1017	(11T65588Y01)
G-2	GREASE,G-8007	(11S41558Y01)
G-3	GREASE,KD-39M	(11S41558Y01)

MODEL	Symbol No.	Parts No.	Description
#1	1	13-09223Z01	NOSE,MONITOR ASSY
\$1	1	13-09223Z03	NOSE,MONITOR ASSY
%1	1	13-09223Z03	NOSE,MONITOR ASSY
&1	1	13-09223Z03	NOSE,MONITOR ASSY
	2	13-09204Z01	NOSE,MONITOR TOP B
#1	3	13-09224Z01	NOSE,PIECE ASSY
\$1	3	13-09224Z03	NOSE,PIECE ASSY
%1	3	13-09224Z03	NOSE,PIECE ASSY
&1	3	13-09224Z03	NOSE,PIECE ASSY
	4	36-09226Z01	KNOB,VOL ASSY
	5	13-09222Z01	NOSE,BOTTOM
	6	41A50111W10	SPRING,KNOB
	7	03S70693Y17	SCR,P-T 1.7X4 ZB A
	8	03-02876Z16	SCR,WEV 1.7X8 ZB A
#1	9	SU-09261Z01	SERVICE_NOSE_D105
\$1	9	SU-09263Z01	SERVICE_NOSE_D105E
%1	9	SU-09263Z01	SERVICE_NOSE_D105E
&1	9	SU-09263Z01	SERVICE_NOSE_D105E
	10	13-09225Z01	NOSE,ESC ASSY
	11	DV-10623Z01	DV43M06A
	12	-----	BKT,DVD MECH
	13	-----	COVER,DVD MECH
	14	15-09558Z01	COVER,DUST
	15	14-09564Z01	INS,COVER DVD MECH A
	16	07-09442Z01	BKT,FPC
	17	03S60820Y37	SCR,MCH 2X3 ZNNA
	18	03S60822Y07	SCR,S-T 2.6X4 ZN A
	19	30T04231K03	SML2CD-50X60.0-BDX32
	20	54-09751Z01	LABEL,REAR
	21	-----	CHAS,BASE
	22	-----	HEAT,SINK SYSTEM
	23	14-09563Z01	INS,MAIN
	24	07A02928K01	BKT,FAN
	25	03S60822Y33	SCR,S-T 2.6X4.5 ZN A
	26	03S60822Y10	SCR,S-T 2.6X5 ZN A
	27	03S60820Y70	SCR,MCH 2X14 ZNNA
	28	03S60822Y19	SCR,S-T 2.6X10 ZN A
	29	-----	HEAT,SINK POWER
	30	30T04231K02	SML2CD-20X42.0-BDX14
	31	14-04107Z05	INS,PT-L 7X7XT1
	32	41T15030Y05	SPR,97-520-02 Iyama
	35	-----	BKT,IC
	38	14-09566Z01	INS,COVER FPC
	39	15-05711Z01	CASE,OPT
	40	14A04209K15	INS,CVR 35X165XT0.05

Mark Model Code

#1 IVA-D105(North American) Only,

\$1 IVA-D105E(General Foreign)(Region3) Only,

%1 IVA-D105E(General Foreign)(Region4) Only,

&1 IVA-D105E(Chinese) Only,

Others:Common.

NOTE:The part that has not PART NUMBER will not be supplied.

MODEL	Symbol No.	Parts No.	Description
	41	03S60823Y17	SCR,P-T 2X4 ZN A
	42	14-06718Z01	INS,COVER LCD
	43	14-09567Z01	INS,LCD MODULE
	44	07-08875Z01	BKT,LCD L
	45	07-08876Z01	BKT,LCD R
	46	75S61553Y36	CUS,RUB 10X6XT1.2
	47	75A70778Y01	CUS,RUB T-PANEL
	48	75-04360Z03	CUSHION,CABLE
	49	14-09568Z01	INS,PWB LCD
	50	15-09443Z01	COVER,FPC
	51	03-00712Z20	SCR,MCH 1.4X3 ZB A
	52	75-06068Z39	CUS,RUB 15X25XT1
	53	84-09995Z01	FPC,MAIN RAAL602A
	54	MM-06056Z01	JR44A010
	101	-----	ASSY,RIV CHAS SLIDE
	102	07-07521Z01	ASSY,RIV BKT GUIDE L
	103	07-07524Z01	ASSY,RIV BKT GUIDE R
	104	07-07526Z01	ASSY,RIV ARM TL L
	105	07-07532Z01	ASSY,RIV ARM TL R
	106	07-07534Z01	ASSY,RIV BKT MOTOR
	107	44-07537Z02	ASSY,GEAR LMT
	108	-----	ASSY,RIV BTM MONI
	109	07-07548Z01	ASSY,RV BKT SPG L
	110	07-07551Z01	ASSY,RV BKT SPG R
	111	-----	COVER,TOP
	112	14-06140Z09	INS,CVR 120X15XT0.05
	113	44-07554Z01	RACK,LOAD L
	114	44-07555Z01	RACK,LOAD R
	115	47-07561Z01	SHAFT,SLIDE
	116	44-07562Z01	GEAR,SLIDE
	117	43-07563Z01	BUSH,DRIVE
	118	41-07564Z01	SPRING,DRIVE
	119	43-07531Z01	BUSH,ARM SIDE
	120	43-08248Z01	BUSH,ARM
	121	44-07572Z01	GEAR,SENSOR
	122	14-07613Z02	REFLECTOR,SHEET
	123	-----	COVER,SLIDE
	124	15-07557Z01	COVER,MECH L
	125	43A61738Y02	STEEL,BALL
	126	41-07559Z01	SPRING,BALL
	127	15-07558Z01	COVER,MECH R
	128	44-07565Z02	GEAR,WORM
	129	44-07566Z02	GEAR,LD1
	130	44-07567Z01	GEAR,LD2
	131	44-07568Z01	GEAR,LD4

Mark Model Code

#1 IVA-D105(North American) Only,

\$1 IVA-D105E(General Foreign)(Region3) Only,

%1 IVA-D105E(General Foreign)(Region4) Only,

&1 IVA-D105E(Chinese) Only,

Others:Common.

NOTE:The part that has not PART NUMBER will not be supplied.

MODEL	Symbol No.	Parts No.	Description
	132	44-07569Z01	GEAR,LD5
	133	44-07570Z01	GEAR,LD6
	134	44-07571Z01	GEAR,LD7
	135	41-07573Z01	SPG,MONI L
	136	41-07574Z01	SPG,MONI R
	137	41-07575Z01	SPRING,SENSOR
	138	15-10199Z01	COVER,WALL MECH
	139	14-10200Z01	INS,CVR SLIDE
	140	75-06068Z38	CUS,RUB 15.4X5XT3
	141	03S70693Y14	SCR,P-T 1.4X3 ZB A
	142	03-00340Z24	SCR,S-T 2.6X3 ZB A
	143	03-00712Z76	SCR,MCH 2X2 ZBSA
	144	03-00340Z25	SCR,S-T 2X3 ZB A
	145	03S60821Y68	SCR,WAS 2X4 ZN A
	146	03-00712Z39	SCR,MCH 2.6X5 ZB A
	147	03S68259F23	SCR,P-LOCK M2X3
	148	03-00712Z75	SCR,MCH 2X3 ZBSA
	149	04B41345P68	WAS,LOC 1.2X5X0.35
	150	04B41345P14	WASH,LOCK 2.1X4X0.25
	151	04-02953Z05	WAS,ETW 1.5X4X0.4A
	152	04S40075G92	WAS,LOC 2.1X5X0.5
	153	14-10249Z01	INS,FPC D105
	154	75-06068Z50	CUS,RUB 10X5XT5
	155	14-06145Z60	INS,CVR 35X9XT0.05
	ANT001	01T02127K14	ASSY,ANT CABLE D105
	CB2200	09-07665Z04	WTB,S20B-PADSS-1 -DB
	CB3000	09T35473Y16	WTB,F169B001-16 -DB
	CB4501	09T65033Y16	BTB,CAM-C73-016 -EF
	CH4600	09T65215Y66	BTB,CAM-C74-016 -B
	CH9001	09-08576Z01	ASSY,ATFA-0355-01A
	DIN6200	09-05377Z01	DIN,TC7753-019117-DB
	DIN6300	09T15462Y02	DIN,TCS7741-01WA -DB
	ET5000	09-09873Z01	ASSY,EDA0014A
	ET5101	40-09492Z01	ASSY,EMU601A2A609
	ET6000	09-09862Z01	ASSY,ATFD-0733-01A
	FR8201	50-02759Z01	ASSY,AFL12A901A
	IC4700	51T75111W01	TOTX193 -DS
	LCD8601	65-01708Z02	ASSY,LB065WQ2-TM01
	M3100	59T55190Y26	MOTOR,F2510CT-12UCV
	M9001	59T65085W01	MOTOR,LOAD FF-050SK
	SW2000	40T45282W02	SW,SLIDE SLD-42-508X
	SW4510	40T45279Y07	ENC,EC09E15244 -DB
	SW4600	40T65353Y01	SW,TACT SKRSPACE010E2
	SW9000	40T15494Y14	SW,DETCT SPVG2106-E6
	TU1000	TU-09128Z01	TUNER,MX-A199

Mark Model Code

#1 IVA-D105(North American) Only,

\$1 IVA-D105E(General Foreign)(Region3) Only,

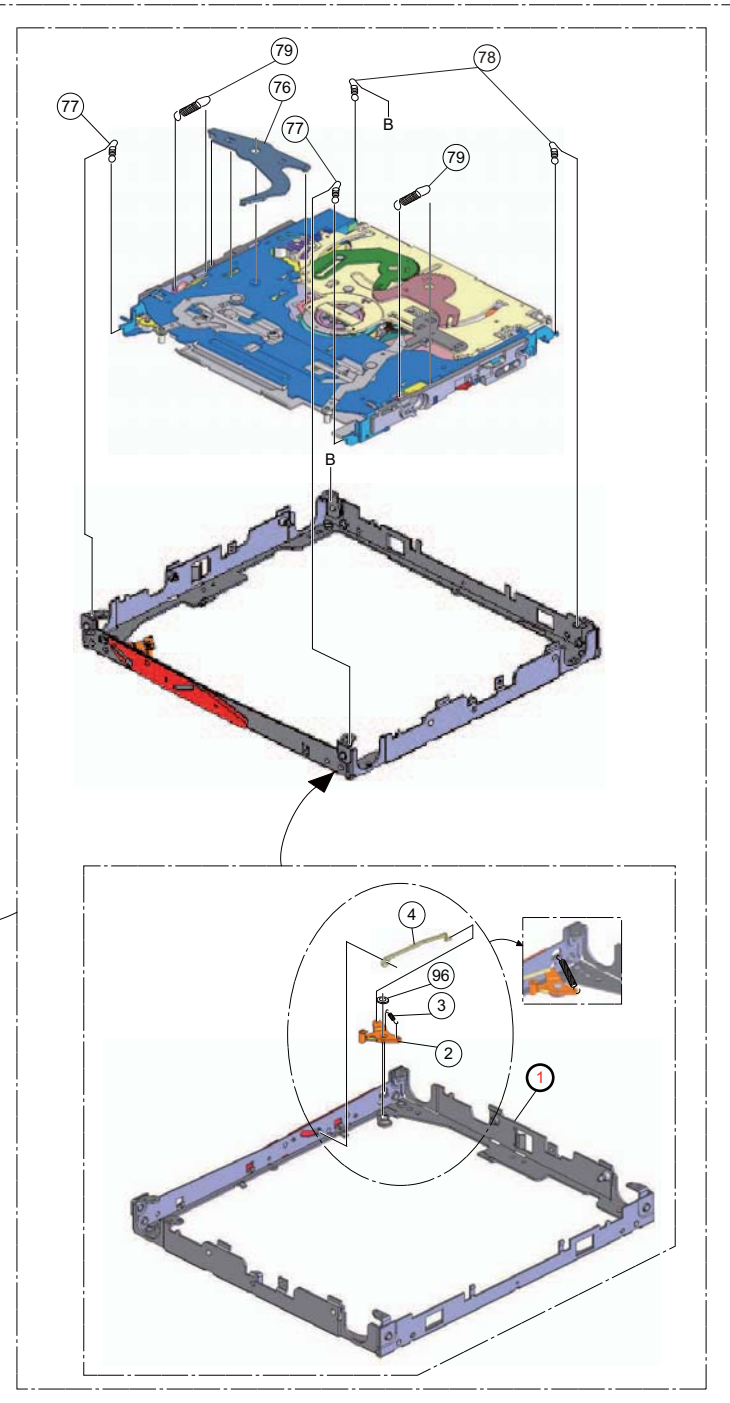
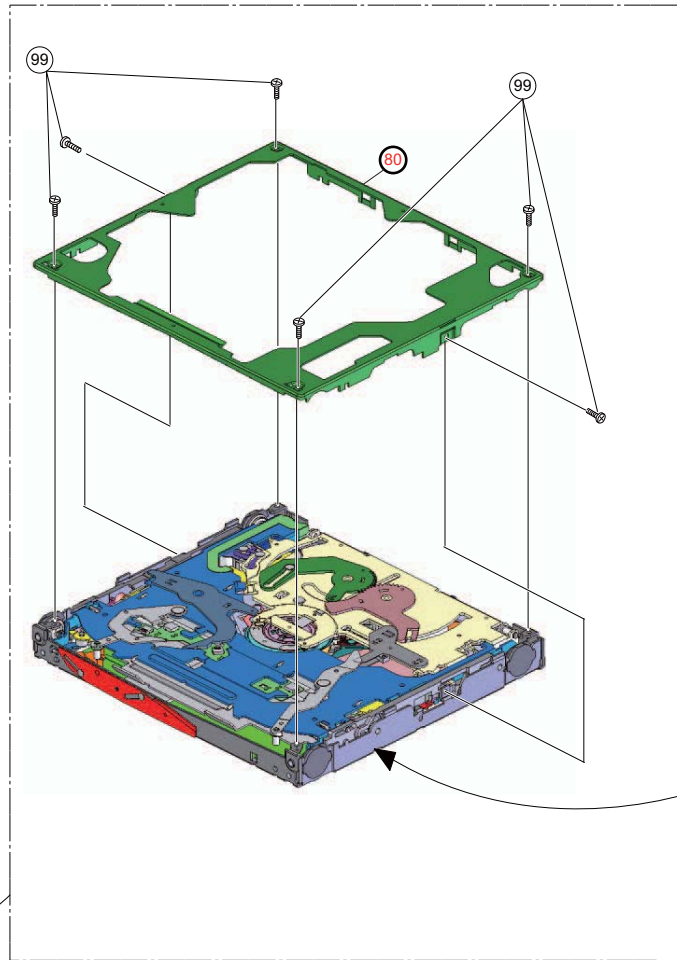
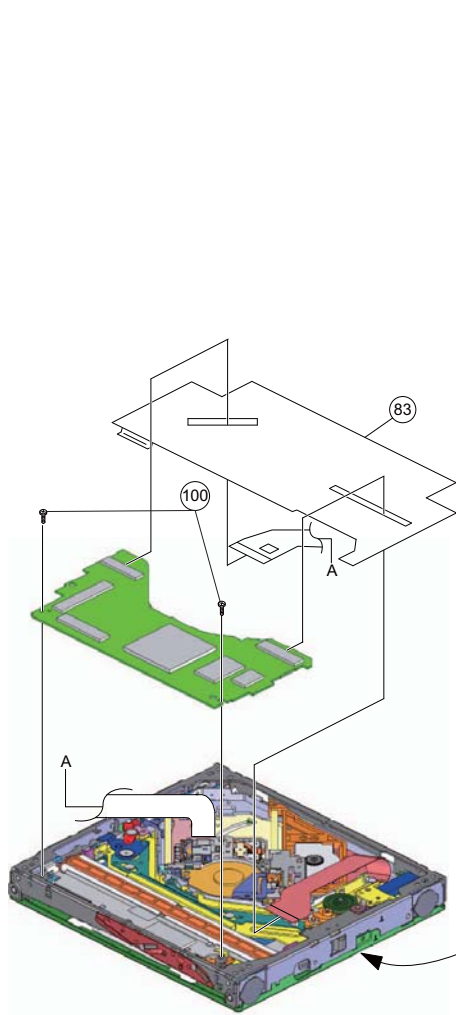
%1 IVA-D105E(General Foreign)(Region4) Only,

&1 IVA-D105E(Chinese) Only,

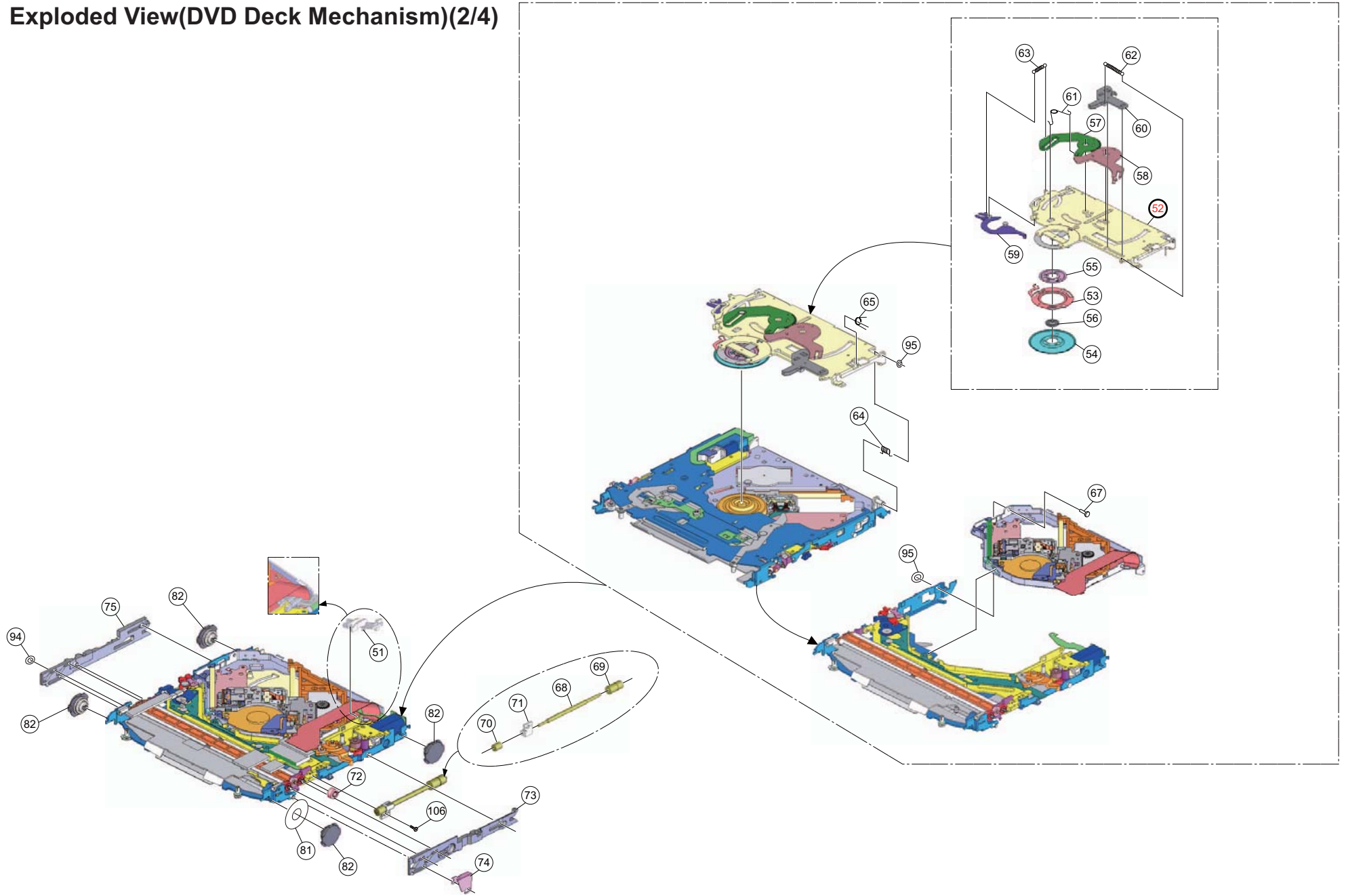
Others:Common.

NOTE:The part that has not PART NUMBER will not be supplied.

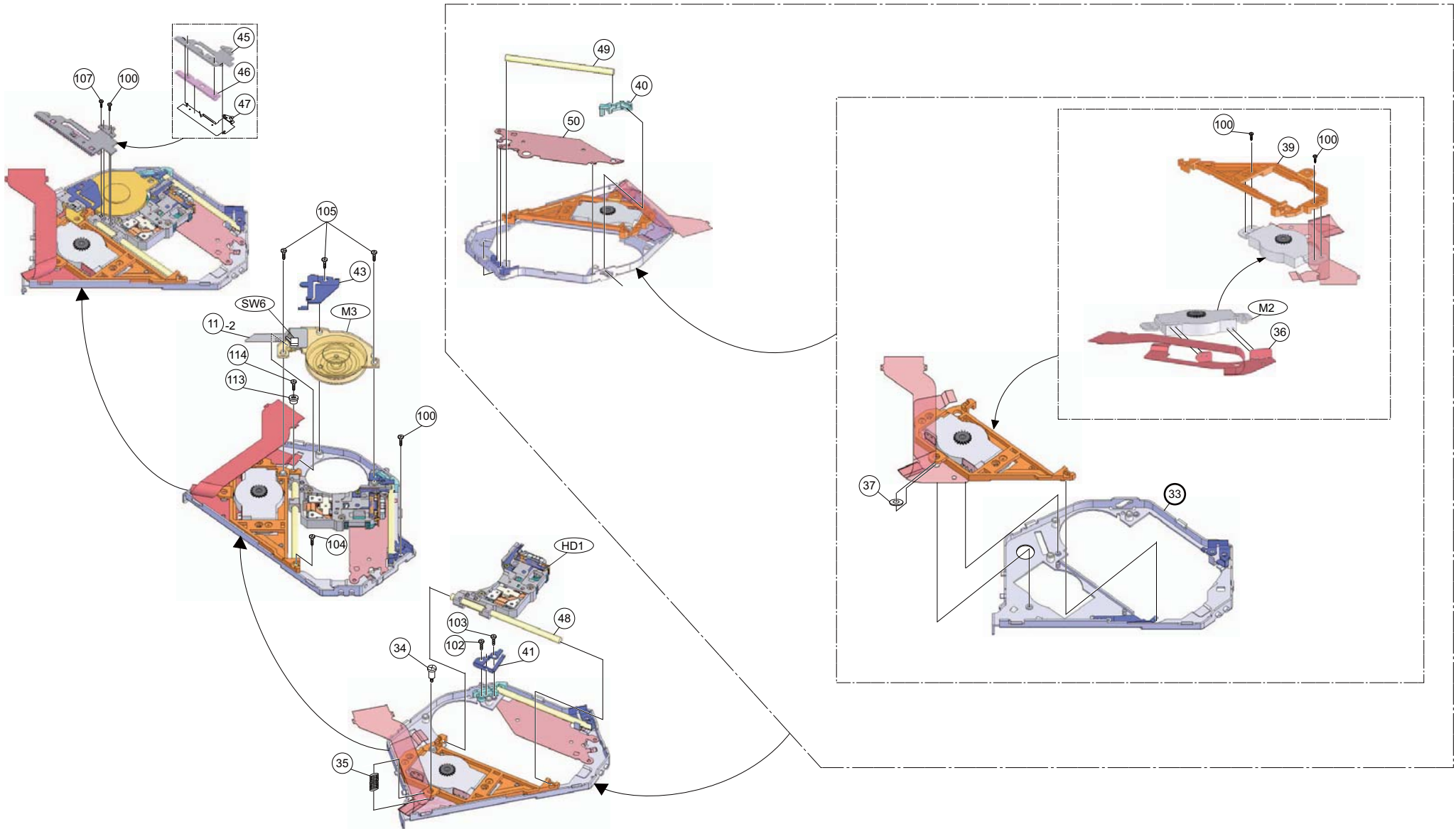
Exploded View(DVD Deck Mechanism)(1/4)



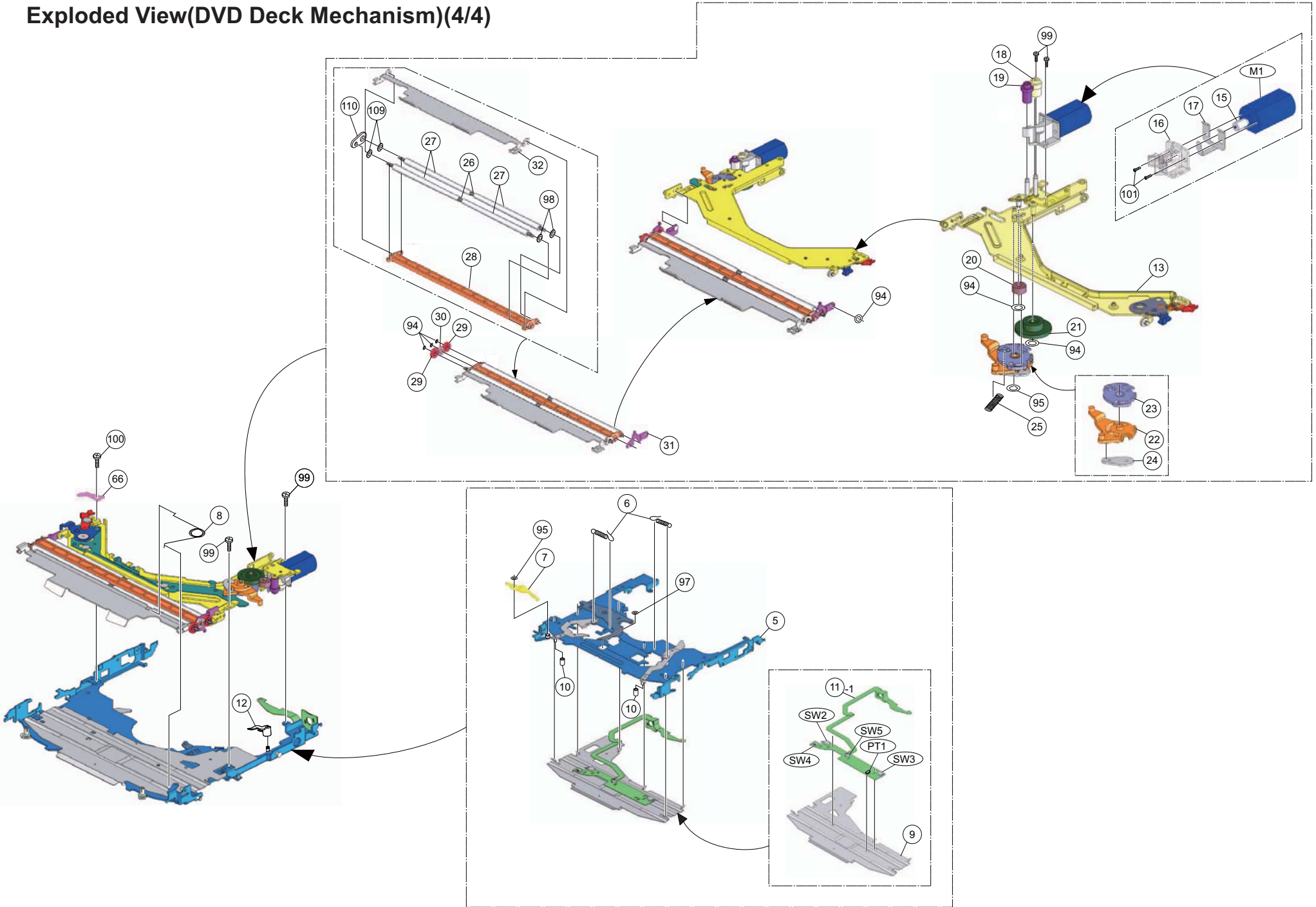
Exploded View(DVD Deck Mechanism)(2/4)



Exploded View(DVD Deck Mechanism)(3/4)



Exploded View(DVD Deck Mechanism)(4/4)



DVD Deck Mechanism Assembly Parts List

NOTE : The part that has not PART NUMBER will not be supplied.

1	-----	ASSY,RIV CHAS BASE T
2	45-09964Z01	LEVER,SHUT ASST T
3	41-09695Z01	SPRING,LEV SHUT ASST
4	41-07868Z01	SPRING,ROD SHUTTER
5	27-06681Z01	ASSY,RIV CHAS FLOAT
6	41-06769Z01	SPRING,LEV DISC SW
7	45-09113Z01	LEVER,SHUTTER FLOAT
8	41-09696Z01	SPRING,LEV SHT FLOAT
9	27-06440Z01	GUIDE, TOP
10	43-06451Z01	ROLLER,DISC
11	84-09236Z01	FPC,DETECT
12	45-06682Z01	ASSY,RIV LEV TRIGER
13	27-06665Z01	ASSY,RIV CHAS LOAD
15	44-06453Z01	GEAR,LOAD(A)
16	07-06838Z01	BKT,COVER LOAD
17	41-06448Z01	SPRING LOAD MOTOR
18	44-06454Z01	GEAR,LOAD(B)
19	44-06455Z01	GEAR,LOAD(C)
20	44-06457Z01	GEAR,LOAD(E)
21	44-06458Z01	GEAR,LOAD(F)
22	44-06463Z01	GEAR,LOAD LINK(A)
23	44-06464Z01	GEAR,LOAD LINK(B)
24	45-06660Z01	ASSY,RIV LEV LOCK
25	41-06670Z01	SPRING,LOAD LINK
26	47-06519Z01	SHAFT,ROLLER
27	49-06683Z01	ROLLER,DV43M
28	07-07869Z01	ARM,ROLLER TWIN
29	44-06461Z01	GEAR,ROLLER(C)
30	44-06462Z01	GEAR,ROLLER(D)
31	07-09881Z01	ARM,ROLLER GUDIE(R)
32	07-09106Z01	ARM,DISC GUIDE
33	-----	ASSY,RIV CHAS PICKUP
34	46-09157Z01	STUD,ADUST SCREW
35	41-09156Z01	SPRING,DRIVE COIL
36	84-09239Z01	FPC,DRIVE(060)
37	14-09990Z01	INSULATOR,FPC DRIVE
39	07-06839Z01	BKT,CHASSIS SLED
40	07-06836Z01	BKT,SHAFT SUB
41	41-06444Z01	SPRING SHAFT SUB(A)
43	41-06445Z01	SPRING,SHAFT MAIN(A)
45	44-06465Z01	GEAR,RACK
46	44-06768Z01	GEAR,RACK SUB
47	15-06433Z01	BKT,RACK COVER
48	47-06520Z01	SHAFT,PICKUP MAIN
49	47-06521Z01	SHAFT,PICKUP SUB
50	15-06434Z01	COVER SUB
51	07-09965Z01	BKT,GUIDE FPC
52	-----	ASSY,RIV ARM CLAMP
53	41-06446Z01	SPRING,CLAMP HOLD
54	43-06449Z01	TABLE,CLAMPER(A)
55	43-06450Z01	TABLE,CLAMPER(B)
56	43-06452Z01	STOPPER,CLAMP

57	45-06482Z01	LEVER,DISC(L)
58	45-06483Z01	LEVER,DISC(R)
59	45-06666Z01	ASSY,RIV LEV TRIG(D)
60	45-06484Z01	SLIDER,RETURN
61	41-09813Z01	SPRING,TORSION LEVER
62	41-06672Z01	SPRING,SLIDER RETURN
63	41-06673Z01	SPRING,LEV TRIG DISC
64	41-06674Z01	SPRING,ARM CLAMP(R)
65	41-09155Z01	SPRING,CLAMP ASSIST
66	07-09922Z01	BKT,SLIDER(R)
67	46-06746Z01	STUD,CHASSIS PICK(R)
68	47-06518Z01	SHAFT,LOAD
69	44-06456Z01	GEAR,LOAD(D)
70	44-06459Z01	GEAR,ROLLER(A)
71	07-06837Z01	BKT,SHAFT LOAD
72	44-06460Z01	GEAR,ROLLER(B)
73	45-06478Z01	SLIDER,LOCK(L)
74	15-09921Z01	COVER,SLIDER
75	45-06479Z01	SLIDER,LOCK(R)
76	45-06404Z01	LEVER,CLAMP SW
77	41-07870Z02	SPRING,DRIVE F
78	41-07871Z02	SPRING,DRIVE R
79	41-06677Z01	SPRING,ROLLER
80	-----	CHASSIS, TOP T
81	14-09989Z01	INSULATOR,DAMPER
82	75-08608Z01	DAMPER,DV43M
83	15-06435Z01	COVER FPC DRIVE
94	04B41345P02	WASH,1.7X3.5X0.25
95	04B41345P12	WASH,L. 1.7X3.5X0.35
96	04B41345P45	WASH,2.1X4.5X0.35
97	04S40075G07	WASH,2.1X4X0.5
98	04S40075G91	WAS,LOC 2.1X3.8X0.13
99	03S94385F07	SCR,NYLOK M2X2
100	03S94385F19	SCR,NYLOK M2X2.5
101	03S60827Y04	SCR,P-L 1.4X2 ZN A
102	03S94385F18	SCR,NYLOK M2X3.5
103	03S94385F11	SCR,NYLOK M2X5 P2
104	03S94385F22	SCR,NYLOK M2X7.5
105	03S94385F98	SCR,NYLOK M2X2.5
106	03-00712Z10	SCR,MCH 2X2.2 ZBNA
107	03S60827Y11	SCR,P-L 1.4X2.5 ZN A
109	04S40075G93	WAS,LOC 2.1X3.8X0.4
110	45-10191Z01	LEVER,ARM ROLLER
113	46-10190Z01	STUD,RACK BKT
114	03-01599Z05	SCR,MCH 2X6.5 NNN
HD1	EP-02357Z01	ED21A710
PT1	48-04836Z01	PHT,TR PS1191RB22-CP
M1	59-08691Z01	MOTOR,FF-N30VB-1D180
M2	59-08652Z01	MOTOR,PM23F-064-APA4
M3	59-08679Z01	MOTOR,24C030A020
SW2	40-08757Z02	SW,DETCT ESE18L62CE5
SW3	40-08757Z01	SW,DETCT ESE18R62CE5
SW4	40-02984Z02	SW,DETCT SPVN3101-E5
SW5	40-02984Z02	SW,DETCT SPVN3101-E5
SW6	40-02984Z02	SW,DETCT SPVN3101-E5