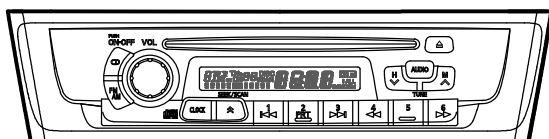


Service Manual



NISSAN Automobile Genuine
 AM/FM Radio CD Stereo

Model PN-2165M-N
 (Genuine No. 28185 4Z560)
 (ID CY448 / Black Escutcheon)

Model PN-2165M-P
 (Genuine No. 28185 4Z570)
 (ID CY458 / Brown Escutcheon)

Model PN-2165M-Q
 (Genuine No. 28185 4Z580)
 (ID CY468 / Gray Escutcheon)

ORIGINAL SERVICE MANUAL

This additional service manual is designed to be used together with Original model.

Original model	Manual No.
PN-2165M-A,B,C	298-5779-00

DIFFERENCE FROM ORIGINAL MODEL

1. Difference fix equalizer circuit of the main PWB section.

SPECIFICATIONS

Radio section

Tuning system:	PLL Frequency synthesizer system
Receive range:	AM 530kHz to 1,710kHz
	FM 87.9MHz to 107.9MHz
Intermediate frequency:	AM 450 +3/ -3kHz
	FM 10.7 +0.2/ -0.2MHz
Quieting sensitivity:	AM Less than 32dBu(at 20dB S/N)
	FM Less than 10dBu(at 30dB S/N)
Separation:	FM More than 20dB(at 1kHz)
Auto tuning stop sensitivity:	
	AM 36 +6/ -6dBu
	FM 25 +6/ -6dBu

CD section

Disc:	12cm,8cm Disc
Frequency response:	17Hz to 20kHz(+3/ -3dB)
Separation:	More than 50dB(1kHz,0.5W)
S/N ratio:	More than 74dB(1kHz,5W)
Distortion:	Less than 0.4%(1kHz,0.5W)

General

Output power:	30W x4
Power supply voltage:	DC14.4V(10.8V to 15.6V) Negative ground
Back-up consumption:	Less than 3mA
Dimensions(mm):	264.2(W) x63.6(H) x171.9(D)
Weight:	1.7kg

* Specifications and design are subject to change without notice for further improvement.

COMPONENT

PN-2165M-N / M-P / M-Q

Main unit ----- 1

NOTE

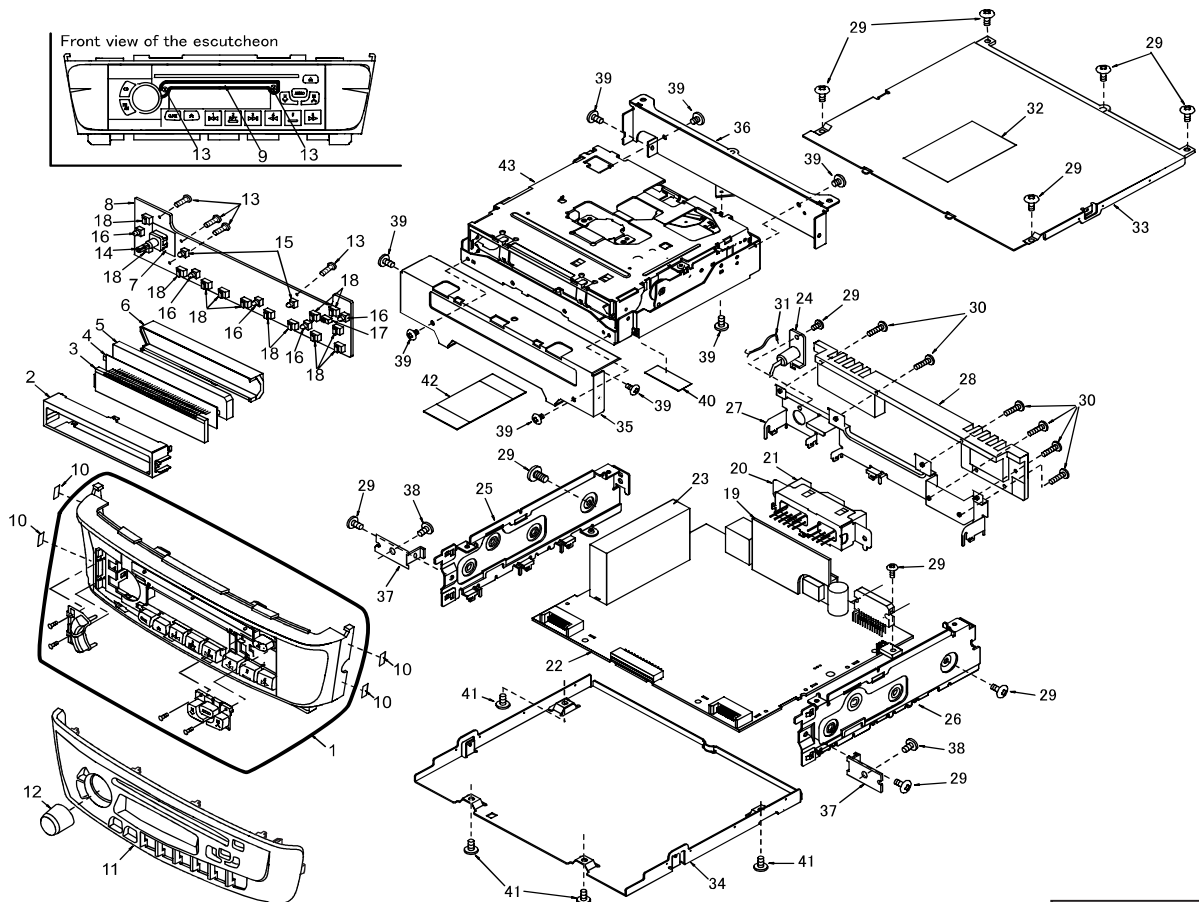
We cannot supply PWB with component parts in principle. When a circuit on PWB has failure, please repair it by component parts base. Parts which are not mentioned in service manual are not supplied.

EXPLODED VIEW/PARTS LIST

Main section

Note)Some parts depend on each model.The model name is specified in the description .
(CY448;PN2165MN, CY458;PN2165MP, CY468;PN2165MQ)

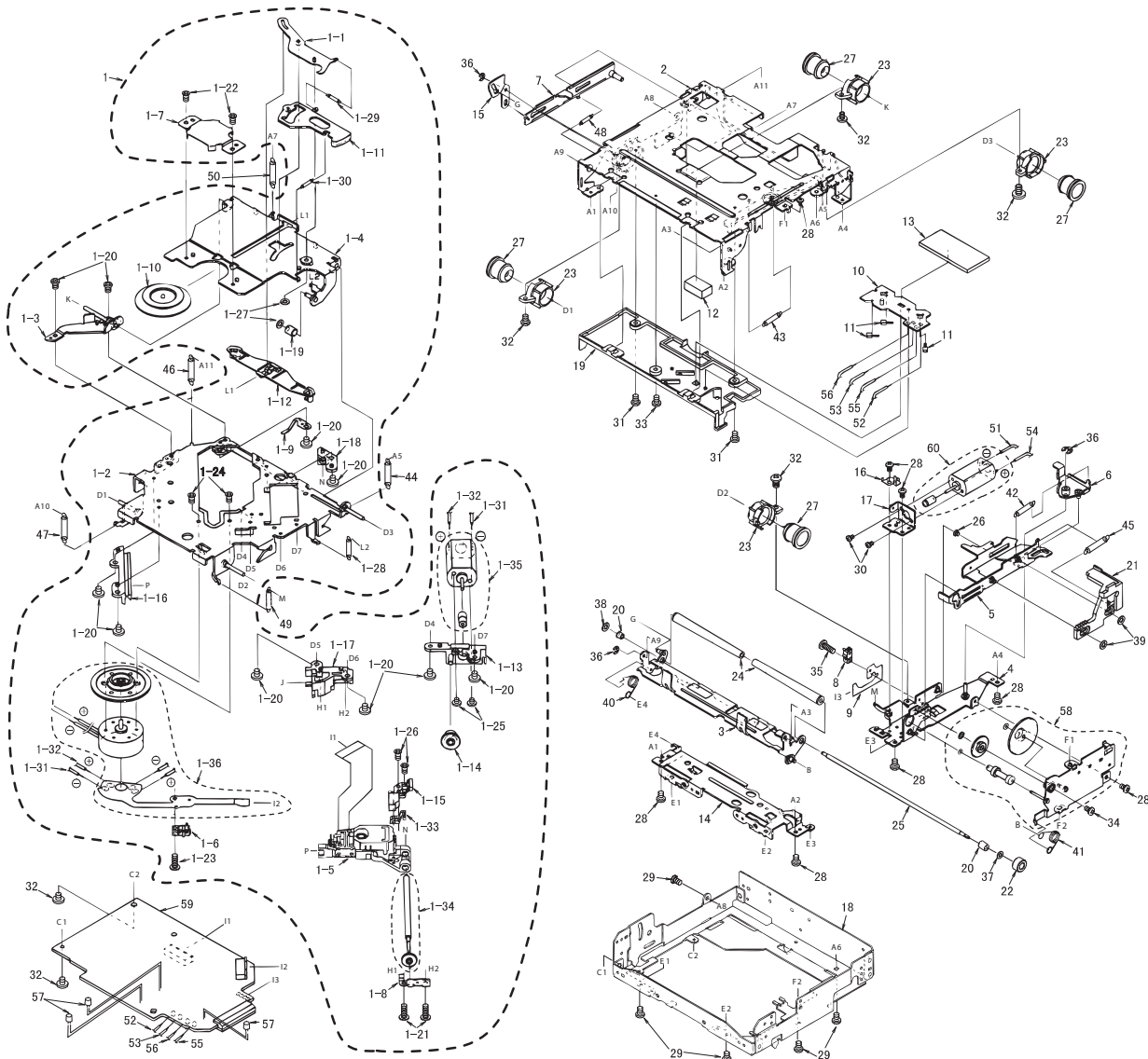
NO.	PART NO.	DESCRIPTION	Q'TY	NO.	PART NO.	DESCRIPTION	Q'TY
1	940-7894-63 940-7894-64 940-7894-65	ESCUTCHEON ASSY(CY448) ESCUTCHEON ASSY(CY458) ESCUTCHEON ASSY(CY468)	1	22	039-1501-00	MAIN PWB (WITHOUT COMPONENT)	1
2	331-2448-01	LCD HOLDER	1	23	880-1916B	AM/FM TUNER PACK	1
3	379-1161-20	INDICATOR	1	24	092-0702-00	ANT RECEP	1
4	335-5779-00	COLOR FILTER	1	25	305-0272-01	SIDE PLATE(L)	1
5	335-5777-00	LCD ILLUMI	1	26	305-0273-01	SIDE PLATE(R)	1
6	335-5778-00	ILLUMI HOLDER	1	27	307-0613-01	REAR COVER	1
7	347-6178-00	COLOR FILTER	1	28	313-1739-00	HEAT SINK	1
*8	039-1502-01	SWITCH PWB (WITHOUT COMPONENT)	1	29	714-2605-81	MACHINE SCREW(M2.6 x5)	11
9	335-6197-00	SPACER	1	30	714-2612-81	MACHINE SCREW(M2.6 x12)	6
10	347-2510-00	CUSHION TAPE	4	31	800-0205-00	WIRE	1
*11	373-0957-01 373-0957-02 373-0957-03	DIAL COVER(CY448) DIAL COVER(CY458) DIAL COVER(CY468)	1	*32	286-9269-10 286-9269-11 286-9269-12	SETPLATE(CY448) SETPLATE(CY458) SETPLATE(CY468)	1
12	380-5433-00	KNOB	1	33	303-0471-01	UPPER COVER	1
13	716-0872-00	PAD SCREW(M1.7 x5)	6	34	304-0459-01	LOWER COVER	1
14	016-0010-15	VARIABLE RESISTOR	1	35	331-2450-00	MECH BRACKET(FRONT)	1
15	017-0447-09	PILOT LAMP(8V105mA)	2	36	331-2451-00	MECH BRACKET(REAR)	1
16	017-0433-08	PILOT LAMP(14V40m)	5	37	331-2452-00	ESCUTCHEON BRACKET	2
17	013-6302-50	SWITCH	1	38	702-3008-81	TAP SCREW	2
18	013-6300-51	SWITCH	13	39	714-2303-81	MACHINE SCREW(M2.3 x3)	8
19	039-1463-00	SUB PWB (WITHOUT COMPONENT)	1	40	347-2022-01	PAPER PART	1
20	331-2449-01	CONNECTOR HOLDER	1	41	716-1494-00	IT SCREW(M2.6 x6)	4
21	074-1185-10	OUTLET SOCKET(NS10/6MW)	1	42	816-2490-00	FLAT WIRE	1
				43	929-0069-88	CD MECHANISM	1



CD mechanism section : 929-0069-88

Note)Several different parts of the same reference number are alternative parts.
One of those parts is used in the set.

NO.	PART NO.	DESCRIPTION	Q'TY	NO.	PART NO.	DESCRIPTION	Q'TY
1	HBS-463-100	DRIVE UNIT	1	1-16	621-0357-03	PICK UP GUIDE	1
1-1	966-0314-40	STOP LINK-ASSY	1	*1-17	621-0358-50	LS-HOLDER-F	1
1-2	966-0447-40	DR-PLATE-ASSY	1	*1-18	621-0359-50	LS-HOLDER-R	1
1-3	966-0448-40	SIDE PLATE-ASSY	1	1-19	622-1073-02	CLAMPER ROLLER	1
1-4	966-0449-40	CLAMP-LINK-ASSY	1	1-20	714-2003-81	MACHINE SCREW(M2X3)	10
*1-5	969-0050-52 969-0050-04	PICK UP UNIT	1	1-21	716-0675-00	SCREW(M2X5.5)	2
1-6	013-7100-00	LIMIT SWITCH	1	1-22	716-1468-00	SCREW(M2X2.5)	2
*1-7	620-0198-40	CLAMPER PLATE	1	1-23	716-1555-00	WAVE SCREW(M2X5)	1
*1-8	620-0491-40	SPRING PLATE	1	1-24	716-1733-00	SCREW(M1.7X2.3)	2
1-9	620-0690-01	RATTLE PLATE	1	1-25	732-2004-11	SEMS SCREW	2
1-10	621-0205-02	CLAMPER RING	1	1-26	739-1735-17	PRECISION SCREW	2
*1-11	621-0251-50	LOCK LINK	1	1-27	746-0761-00	WASHER	2
*1-12	621-0252-50	DISC STOPPER	1	1-28	750-3097-03	CLAMPER SPRING	1
*1-13	621-0253-50	MOTOR HOLDER	1	1-29	750-3098-00	L-LINK SPRING	1
1-14	621-0255-02	SECOUND GEAR	1	1-30	750-3099-00	ES-SPRING	1
*1-15	621-0375-50	SH-BASE	1	1-31	816-2372-00	LEAD(BLUE)	1



PN-2165M-N,P
PN-2165M-

NO.	PART NO.	DESCRIPTION	Q'TY	NO.	PART NO.	DESCRIPTION	Q'TY
1-32	816-2373-00	LEAD(WHITE)	1	29	714-2603-81	MACHINE SCREW(M2.6X3)	5
1-33	966-0454-00	SH-RACK-ASSY	1	30	716-1468-00	SCREW(M2X2.5)	2
1-34	HBS-432-100	LS-GEAR-ASSY	1	31	716-1507-00	SCREW(M2X3)	2
1-35	SMA-146-100	SLED MOTOR-ASSY	1	32	716-1670-00	SCREW(M2X4)	6
1-36	SMA-151-100	SPINDLE MOTOR-ASSY	1	33	716-1677-00	SCREW(M2X5)	1
*2	966-0308-41	CHASSIS-ASSY	1	34	716-1704-00	SCREW(M2X7)	1
*3	966-0309-23	L-DISC-G-ASSY	1	35	716-1742-00	SCREW(M2X5)	1
*4	966-0310-41	SFT-P-CH-ASSY	1	36	743-1500-10	E-RING	3
5	966-0312-40	SHIFT-P-ASSY	1	37	746-0712-03	WASHER	1
6	966-0358-40	DRIVE-L-PL-ASSY	1	38	746-0762-00	WASHER	1
7	966-0359-40	SIDE-L-PL-ASSY	1	39	746-0877-02	WASHER	2
8	013-3879-01	CHUCKING SWITCH	1	40	750-3090-02	RO-SPRING-L	1
9	039-0586-01	CHUCKING SWITCH PWB (WITHOUT COMPONENT)	1	41	750-3091-03	RO-SPRING-R	1
10	039-0588-01	SENSOR PWB (WITHOUT COMPONENT)	1	42	750-3092-03	SHIFT SPRING	1
11	060-0252-01	PHOTO-TR (PT4850F)	3	43	750-3094-00	S-ARM SPRING	1
12	345-7513-01	CLAMPER SHEET	1	44	750-3096-01	DR-SPRING-R	1
13	345-7514-00	S-PWB-SHEET	1	45	750-3098-00	L-LINK SPRING	1
*14	620-0485-40	FRONT PLATE	1	46	750-3164-00	DR-SPRING-LR	1
*15	620-0488-40	S-L-LINK PLATE	1	47	750-3188-00	DR-SPRING-F-B	1
16	620-0489-02	MOTOR PLATE	1	48	750-3189-00	SIDE-L-SPRING	1
17	620-0492-01	MOTOR BRACKET	1	49	750-3201-00	DR-SPRING-F-R	1
*18	620-0773-40	MECH-BRACKET	1	50	750-3202-00	CENTER SPRING-B	1
*19	621-0402-50	U-DISC GUIDE-F	1	51	800-4904-60	VINYL-COAT-WIRE(BLK)	1
*20	621-0243-50	ROLLER SLEEVE	2	52	800-4910-60	VINYL-COAT-WIRE(BLK)	1
*21	621-0248-51	RACK GEAR	1	53	801-4910-60	VINYL-COAT-WIRE(BRN)	1
*22	621-0249-50	ROLLER GEAR	1	54	802-4904-60	VINYL-COAT-WIRE(RED)	1
*23	621-0250-50	DAMPER HOLDER	4	55	802-4910-60	VINYL-COAT-WIRE(RED)	1
24	621-0258-03	LOADING ROLLER	2	56	804-4910-60	VINYL-COAT-WIRE(YEL)	1
25	622-1072-05	ROLLER SHAFT	1	57	001-0563-00	DIODE	3
26	622-1219-01	SHIFT ROLLER	1	58	HBS-430-100	GEAR-PLATE-ASSY	1
27	629-0058-00	DAMPER-VA	4	*59	039-1088-05	MECHANISM PWB (WITHOUT COMPONENT)	1
28	714-2003-81	MACHINE SCREW(M2X3)	8	60	SMA-147-100	LOADING MOTOR-ASSY	1

ELECTRICAL PARTS LIST

Main PWB section(B1)

Note) Several different parts of the same reference number are alternative parts.
One of those parts is used in the set.

REF No.	PART No.	DESCRIPTION	REF No.	PART No.	DESCRIPTION	REF No.	PART No.	DESCRIPTION
ANT101	092-0702-00	ANT RECEPT	C158	176-1011-50	100pF CH	C219	042-0562-86	50V1uF
BL101	880-1916B	AM/FM TUNER	C159	176-1007-50	10pF CH	C220	178-1242-78	0.12uF
C108	176-1501-50	15pF CH	C201	042-0562-67	16V10uF	C221	178-1242-78	0.12uF
C109	043-0277-51	0.022uF	C202	183-1043-69	50V0.1uF	C222	178-1532-78	0.015uF
C110	176-1021-50	1000pF CH	C203	183-1043-69	50V0.1uF	C223	178-1532-78	0.015uF
C111	183-1073-29	10V100uF	C204	042-0562-67	16V10uF	C224	178-3312-78	330pF
C112	042-0458-90	50V1uF	C205	042-0562-67	16V10uF	C225	178-3312-78	330pF
C113	183-1073-29	10V100uF	C206	042-0562-67	16V10uF	C226	042-0562-67	16V10uF
C115	042-0562-86	50V1uF	C207	178-1042-78	0.1uF	C227	042-0562-67	16V10uF
C116	178-1232-78	0.012uF	C208	183-3353-69	50V3.3uF	C228	178-3332-78	0.033uF
C140	172-2231-15	0.022uF	C209	183-3353-69	50V3.3uF	C229	042-0505-84	10V33uF
C141	183-4763-39	16V47uF	C210	042-0505-84	10V33uF	C301	176-1011-50	100pF CH
C143	117-0000-05	1/8W 0 ohm JW	C211	178-1042-78	0.1uF	C302	176-1011-50	100pF CH
C144	176-1007-50	10pF CH	C212	042-0562-86	50V1uF	C303	176-1011-50	100pF CH
C145	178-3932-78	0.039uF	C213	042-0562-86	50V1uF	C304	176-1011-50	100pF CH
C146	178-3932-78	0.039uF	C214	042-0562-67	16V10uF	C306	176-2201-50	22pF CH
C153	183-1073-29	10V100uF	C215	042-0562-67	16V10uF	C307	183-1053-67	50V1uF
C154	178-1042-78	0.1uF	C216	042-0562-67	16V10uF	C308	178-3922-78	3900pF
C156	176-1007-50	10pF CH	C217	042-0562-67	16V10uF	C309	178-3922-78	3900pF
C157	178-2232-78	0.022uF	C218	042-0562-86	50V1uF	C310	178-4742-78	0.47uF

REF No.	PART No.	DESCRIPTION	REF No.	PART No.	DESCRIPTION	REF No.	PART No.	DESCRIPTION
C401	183-4763-17	6.3V47uF	C652	178-2222-55	2200pF	Q203	125-9003-92	IMD3
C402	178-1042-78	0.1uF	C653	178-2222-55	2200pF	Q301	125-0001-91	UN2111
C403	183-1063-39	16V10uF	C654	178-2222-55	2200pF	Q401	193-2118-00	2SD2118
C404	042-0417-90	10V220uF	C655	178-2222-55	2200pF	Q402	193-2118-00	2SD2118
C405	183-1073-29	10V100uF	C656	178-2222-55	2200pF	Q405	190-1428-00	2SA1428
C406	183-1063-39	16V10uF	C657	178-2222-55	2200pF	Q406	125-2005-91	UN2211
C407	183-1063-39	16V10uF	C662	042-0417-90	10V220uF	Q407	190-1048-00	2SA1048
C408	183-4763-19	6.3V47uF	C663	042-0562-70	16V47uF	Q409	102-3420-00	2SC3420
C409	178-1042-78	0.1uF	C686	178-1032-78	0.01uF	Q410	193-1858-00	2SD1858
C410	184-4773-22	10V470uF	C687	176-2201-50	22pF CH	Q411	125-9003-92	IMD3
C411	183-4756-58	35V4.7uF NP	C688	176-2201-50	22pF CH	Q411	125-9002-02	RN4602
C413	178-1042-78	0.1uF	C689	176-2201-50	22pF CH	Q412	193-0601-00	2SD601A
C414	178-1042-78	0.1uF	C690	176-2201-50	22pF CH	Q414	125-2005-91	UN2211
C416	183-4763-17	6.3V47uF	C691	176-2201-50	22pF CH	Q417	193-2118-00	2SD2118
C417	178-1042-78	0.1uF	C692	176-2201-50	22pF CH	Q419	193-1306-00	2SD1306
C418	178-1042-78	0.1uF	C693	176-2201-50	22pF CH	Q420	193-0601-00	2SD601A
C420	042-0505-81	10V22uF	C694	176-2201-50	22pF CH	Q421	125-9003-92	IMD3
C422	178-1042-78	0.1uF	C695	176-2201-50	22pF CH	Q422	125-0001-91	UN2111
C423	183-4763-39	16V47uF	C696	176-2201-50	22pF CH	Q423	125-2005-91	UN2211
C424	042-0505-81	10V22uF	C697	176-2201-50	22pF CH	Q503	193-0601-00	2SD601A
C503	042-0562-70	16V47uF	C698	176-2201-50	22pF CH	R2	117-0000-00	1/8W 0 ohm
C504	183-1053-69	50V1uF	C699	176-2201-50	22pF CH	R110	117-2221-15	1/8W 2.2k ohm
C505	042-0465-00	16V3300uF	C700	176-2201-50	22pF CH	R111	117-2221-15	1/8W 2.2k ohm
C506	172-1041-15	0.1uF	C701	176-2201-50	22pF CH	R112	117-3321-15	1/8W 3.3k ohm
C507	183-1063-39	16V10uF	C702	176-2201-50	22pF CH	R113	117-4721-15	1/8W 4.7k ohm
C508	176-1011-50	100pF CH	D301	001-0294-00	1SS133	R115	111-2221-98	1/4W 2.2k ohm
C510	176-4711-50	470pF CH	D301	001-0330-90	1SS119	R116	117-1021-15	1/8W 1k ohm
C601	042-0562-67	16V10uF	D401	001-0504-31	HZS6 A2L	R118	111-1031-98	1/4W 10k ohm
C602	042-0562-67	16V10uF	D402	001-0377-48	MA4091H	R120	111-1031-98	1/4W 10k ohm
C603	042-0562-67	16V10uF	D402	001-0376-49	MTZJ10A	R121	111-2221-98	1/4W 2.2k ohm
C604	042-0562-67	16V10uF	D402	001-0400-48	HZS9.1JB3	R132	117-2221-15	1/8W 2.2k ohm
C605	176-5611-50	560pF CH	D403	001-0294-00	1SS133	R133	111-5691-98	1/4W 5.6 ohm
C608	176-5611-50	560pF CH	D403	001-0330-90	1SS119	R134	117-4741-15	1/8W 470k ohm
C609	176-2201-50	22pF CH	D404	001-0504-45	HZS9B1L	R135	111-1001-98	1/4W 10 ohm
C610	176-2201-50	22pF CH	D405	001-0504-31	HZS6 A2L	R136	111-8291-98	1/4W 8.2 ohm
C611	176-2201-50	22pF CH	D406	001-0377-39	MA4068H	R138	117-1011-15	1/8W 100 ohm
C612	176-2201-50	22pF CH	D406	001-0400-39	HZS6.8JB3	R139	117-8201-15	1/8W 82 ohm
C613	178-4742-78	0.47uF	D406	001-0376-40	MTZJ7.5A	R201	117-3011-15	1/8W 300 ohm
C614	178-2242-78	0.22uF	D407	001-0400-43	HZS8.2JB1	R202	117-4731-15	1/8W 47k ohm
C615	178-5632-78	0.056uF	D407	001-0376-44	MTZJ8.2B	R203	117-3931-15	1/8W 39k ohm
C616	178-4742-78	0.47uF	D407	001-0377-43	MA4082L	R204	117-4731-15	1/8W 47k ohm
C617	178-3932-78	0.039uF	D410	001-0294-00	1SS133	R205	111-8211-98	1/4W 820 ohm
C618	178-5632-78	0.056uF	D410	001-0330-90	1SS119	R206	117-3011-15	1/8W 300 ohm
C619	178-1842-78	0.18uF	D503	001-0466-90	S5688B	R207	117-0000-05	1/8W 0 ohm JW
C620	178-3932-78	0.039uF	D505	001-0466-90	S5688B	R208	117-0000-05	1/8W 0 ohm JW
C621	178-1032-78	0.01uF	D506	001-0466-90	S5688B	R209	117-4721-15	1/8W 4.7k ohm
C622	178-1832-78	0.018uF	D507	001-0377-34	MA4062L	R210	117-4721-15	1/8W 4.7k ohm
C623	178-1832-78	0.018uF	D507	001-0400-34	HZS6C1	R213	117-4741-15	1/8W 470k ohm
C624	178-1032-78	0.01uF	D507	001-0346-34	MTZJ6.2A	R215	111-8211-98	1/4W 820 ohm
C625	178-6832-78	0.068uF	D508	001-0627-90	U1BC44	R216	032-0106-63	1/8W 47k ohm D
C626	178-2232-78	0.022uF	D509	001-0627-90	U1BC44	R217	032-0106-63	1/8W 47k ohm D
C627	178-3332-78	0.033uF	D510	001-0627-90	U1BC44	R218	032-0106-63	1/8W 47k ohm D
C628	178-6832-78	0.068uF	D511	001-0627-90	U1BC44	R219	032-0106-63	1/8W 47k ohm D
C629	178-1032-78	0.01uF	IC201	051-5012-00	LC75386	R220	117-4731-15	1/8W 47k ohm
C630	178-2232-78	0.022uF	IC301	052-1160-01	LC72366-9946	R221	117-3931-15	1/8W 39k ohm
C631	178-8232-78	0.082uF	IC601	051-3019-90	NJM2060V	R301	117-2231-15	1/8W 22k ohm
C632	178-6832-78	0.068uF	IC602	051-3019-90	NJM2060V	R302	117-4731-15	1/8W 47k ohm
C633	178-1242-78	0.12uF	IC603	051-3019-90	NJM2060V	R303	117-1031-15	1/8W 10k ohm
C634	178-1242-78	0.12uF	IC604	051-2023-01	TA8260AH	R304	117-1031-15	1/8W 10k ohm
C636	178-8232-78	0.082uF	IC605	051-3019-90	NJM2060V	R305	117-4731-15	1/8W 47k ohm
C637	178-1242-78	0.12uF	IC606	051-3020-90	NJM4565V	R306	117-1041-15	1/8W 100k ohm
C638	183-2253-67	50V2.2uF	J201	074-0850-08	8P	R307	117-1041-15	1/8W 100k ohm
C639	178-2242-78	0.22uF	J301	074-1186-26	26P	R308	117-1041-15	1/8W 100k ohm
C640	178-2242-78	0.22uF	L102	010-2003-04	COIL	R309	117-4731-15	1/8W 47k ohm
C641	178-6832-78	0.068uF	L401	010-2230-64	2.2uH	R310	117-1031-15	1/8W 10k ohm
C642	178-8232-78	0.082uF	L501	009-0670-01	CHOKE	R311	117-1031-15	1/8W 10k ohm
C643	178-1242-78	0.12uF	P501	076-0324-16		R312	117-4731-15	1/8W 47k ohm
C644	178-6832-78	0.068uF	P502	076-0540-12	12P	R313	117-4731-15	1/8W 47k ohm
C646	172-1041-15	0.1uF	P503	076-0540-10	10P	R315	117-4731-15	1/8W 47k ohm
C647	183-1053-69	50V1uF	Q103	198-0669-00	2SK669	R316	117-6841-15	1/8W 680k ohm
C648	178-2222-55	2200pF	Q106	190-1150-00	2SA1150	R317	117-1021-15	1/8W 1k ohm
C649	178-2222-55	2200pF	Q107	190-1150-00	2SA1150	R318	117-1021-15	1/8W 1k ohm
C650	178-2222-55	2200pF	Q109	125-2005-91	UN2211	R319	117-1031-15	1/8W 10k ohm
C651	178-2222-55	2200pF	Q201	125-2005-91	UN2211	R320	117-1031-15	1/8W 10k ohm

REF No.	PART No.	DESCRIPTION	REF No.	PART No.	DESCRIPTION	REF No.	PART No.	DESCRIPTION
R322	117-1031-15	1/8W 10k ohm	R601	117-1031-15	1/8W 10k ohm	R642	117-1021-15	1/8W 1k ohm
R323	119-1021-15	1/10W 1k ohm	R602	117-1031-15	1/8W 10k ohm	R643	117-1521-15	1/8W 1.5k ohm
R324	119-1021-15	1/10W 1k ohm	R603	117-1031-15	1/8W 10k ohm	R644	117-1221-15	1/8W 1.2k ohm
R325	119-1021-15	1/10W 1k ohm	R604	117-1031-15	1/8W 10k ohm	R645	117-1831-15	1/8W 18k ohm
R326	119-1021-15	1/10W 1k ohm	R605	117-2731-15	1/8W 27k ohm	R646	117-4721-15	1/8W 4.7k ohm
R327	119-1021-15	1/10W 1k ohm	R608	117-2731-15	1/8W 27k ohm	R647	117-1021-15	1/8W 1k ohm
R328	119-1021-15	1/10W 1k ohm	R609	117-1031-15	1/8W 10k ohm	R650	117-2231-15	1/8W 22k ohm
R405	111-2211-98	1/4W 220 ohm	R610	117-1031-15	1/8W 10k ohm	R651	117-1831-15	1/8W 18k ohm
R406	111-4711-98	1/4W 470 ohm	R611	117-4721-15	1/8W 4.7k ohm	R652	117-1021-15	1/8W 1k ohm
R407	117-1041-15	1/8W 100k ohm	R612	117-4721-15	1/8W 4.7k ohm	R653	117-1021-15	1/8W 1k ohm
R408	111-1021-98	1/4W 1k ohm	R613	117-4721-15	1/8W 4.7k ohm	R654	117-1031-15	1/8W 10k ohm
R409	117-3321-15	1/8W 3.3k ohm	R614	117-4721-15	1/8W 4.7k ohm	R655	117-1031-15	1/8W 10k ohm
R410	117-2231-15	1/8W 22k ohm	R615	117-1031-15	1/8W 10k ohm	R656	117-5131-15	1/8W 51k ohm
R411	117-1031-15	1/8W 10k ohm	R616	117-1031-15	1/8W 10k ohm	R657	117-5131-15	1/8W 51k ohm
R414	111-3911-98	1/4W 390 ohm	R617	117-2221-15	1/8W 2.2k ohm	R658	111-1031-98	1/4W 10k ohm
R415	117-1041-15	1/8W 100k ohm	R618	117-2221-15	1/8W 2.2k ohm	R659	111-1031-98	1/4W 10k ohm
R416	117-6821-15	1/8W 6.8k ohm	R619	117-2221-15	1/8W 2.2k ohm	R660	117-5131-15	1/8W 51k ohm
R417	117-2231-15	1/8W 22k ohm	R620	117-2221-15	1/8W 2.2k ohm	R661	117-5131-15	1/8W 51k ohm
R418	111-2021-98	1/4W 2k ohmJ	R621	117-1021-15	1/8W 1k ohm	R662	117-1031-15	1/8W 10k ohm
R419	117-1031-15	1/8W 10k ohm	R622	117-1521-15	1/8W 1.5k ohm	R663	117-1031-15	1/8W 10k ohm
R420	111-4731-98	1/4W 47k ohm	R623	117-1521-15	1/8W 1.5k ohm	R664	111-1031-98	1/4W 10k ohm
R427	111-8211-98	1/4W 820 ohm	R624	117-1021-15	1/8W 1k ohm	R665	117-1021-15	1/8W 1k ohm
R428	111-8211-98	1/4W 820 ohm	R625	117-1511-15	1/8W 150 ohm	R666	117-1021-15	1/8W 1k ohm
R429	111-8211-98	1/4W 820 ohm	R626	117-1511-15	1/8W 150 ohm	R667	111-1031-98	1/4W 10k ohm
R430	117-5611-15	1/8W 560 ohm	R627	117-1511-15	1/8W 150 ohm	R668	117-2231-15	1/8W 22k ohm
R432	111-1831-98	1/4W 18k ohm	R628	117-1511-15	1/8W 150 ohm	R669	117-1831-15	1/8W 18k ohm
R433	111-4721-98	1/4W 4.7k ohm	R629	117-1541-15	1/8W 150k ohm	R670	117-2221-15	1/8W 2.2k ohm
R434	111-2021-98	1/4W 2k ohmJ	R630	117-1541-15	1/8W 150k ohm	R682	117-2231-15	1/8W 22k ohm
R435	111-8211-98	1/4W 820 ohm	R631	117-1541-15	1/8W 150k ohm	R683	117-2231-15	1/8W 22k ohm
R438	117-4741-15	1/8W 470k ohm	R632	117-1541-15	1/8W 150k ohm	R684	117-2231-15	1/8W 22k ohm
R439	111-2291-98	1/4W 2.2 ohm	R633	117-1541-15	1/8W 150k ohm	R685	117-2231-15	1/8W 22k ohm
R502	117-4731-15	1/8W 47k ohm	R634	117-1541-15	1/8W 150k ohm	R686	117-1031-15	1/8W 10k ohm
R505	117-8221-15	1/8W 8.2k ohm	R635	117-1541-15	1/8W 150k ohm	R687	117-1031-15	1/8W 10k ohm
R506	117-4731-15	1/8W 47k ohm	R636	117-1541-15	1/8W 150k ohm	R688	117-1031-15	1/8W 10k ohm
R507	117-1031-15	1/8W 10k ohm	R637	117-1511-15	1/8W 150 ohm	R689	117-1031-15	1/8W 10k ohm
R508	111-1531-98	1/4W 15k ohm	R638	117-1511-15	1/8W 150 ohm	SUP101	060-0122-20	DSP-141N-S00B
R509	114-2291-11	1W 2.2 ohm	R639	117-1511-15	1/8W 150 ohm	TC301	004-1580-64	47pF
R510	117-5611-15	1/8W 560 ohm	R640	117-1511-15	1/8W 150 ohm	X301	061-1053-00	4.5MHz
R511	117-1021-15	1/8W 1k ohm	R641	117-1221-15	1/8W 1.2k ohm			

Mechanism PWB section(B4)

Difference the following parts in the parts list.(Original service manual page 12)

REF No.	PART No.	DESCRIPTION
L3	010-3407-62	10 uH J

Other parts of PN-2165M-G,H,I,M are the same as PN-2165M-A,B,C.