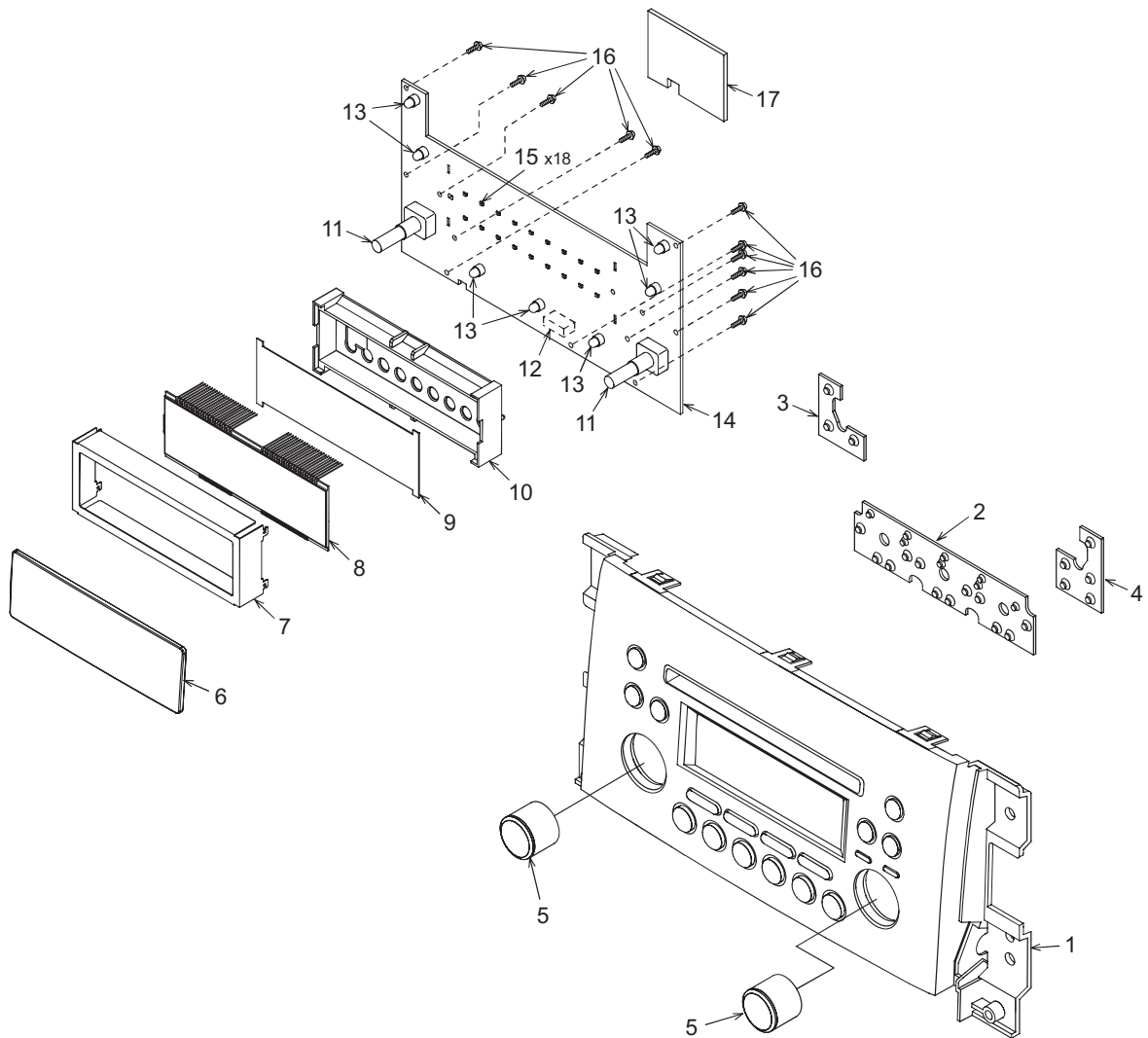


EXPLODED VIEW / PARTS LIST

Escutcheon section



NOTE)Clamping torque value of a screw is 0.4 +0.08/-0.08 Newton meter.

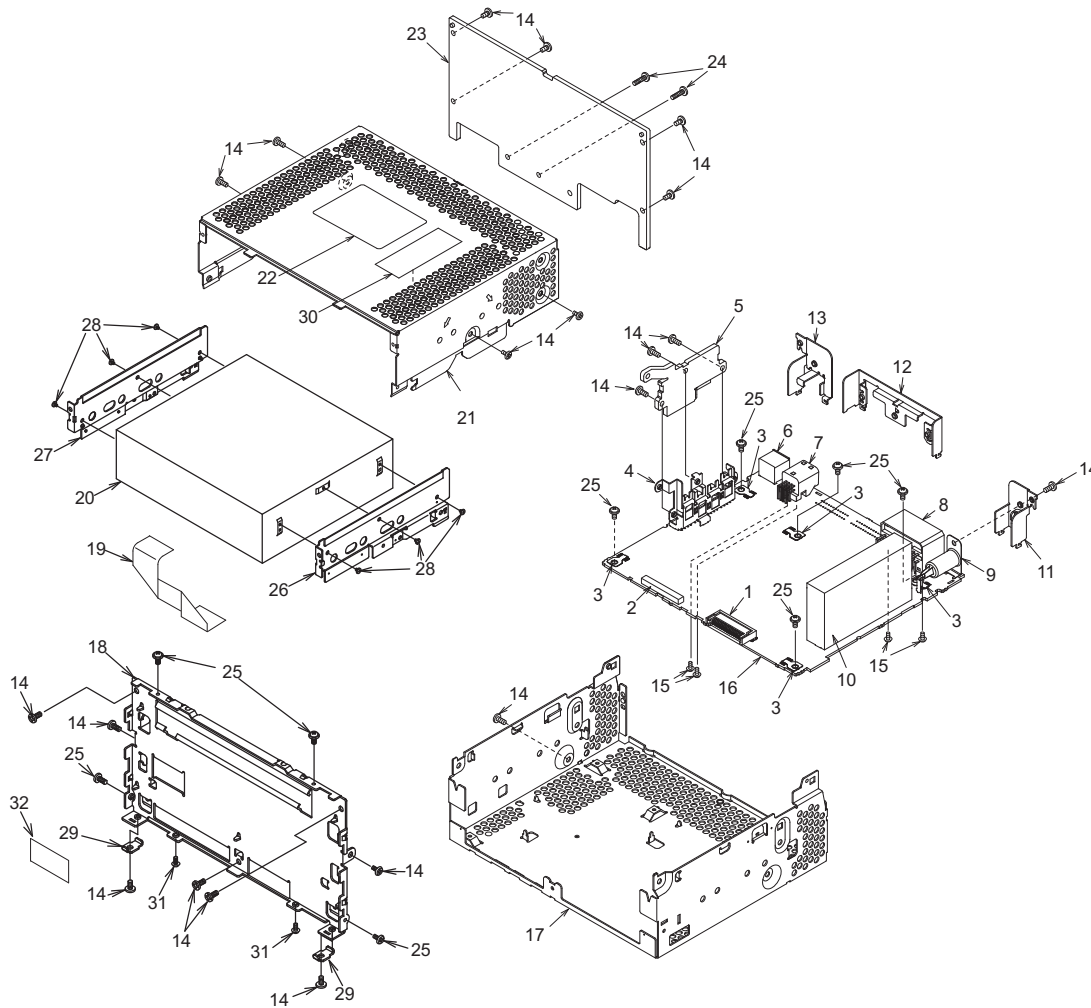
※ Some parts depend on each model. The model name is specified in the description.

3181D-A/B : PS-3181D-A.PS3181D-B , 3181D-C/D : PS-3181D-C.PS-3181D-D
 3181D-A/C : PS-3181D-A.PS3181D-C , 3181D-B/D : PS-3181D-B.PS-3181D-D
 3182D-A/C : PS-3182D-A.PS3182D-C , 3182D-B/D : PS-3182D-B.PS-3182D-D
 3182D-A/B : PS-3182D-A.PS3182D-B , 3182D-C/D : PS-3182D-C.PS-3182D-D

NO.	PART NO.	DESCRIPTION	Q'TY
1	940-8229-22 940-8229-23	ES-ASSY (3181D-A/C,3182D-A/C) ES-ASSY (3181D-B/D,3182D-B/D)	1
2	345-5782-11	RUBBER SW (A)	1
3	345-5783-00	RUBBER SW (B)	1
4	345-6227-00	RUBBER SW (D)	1
5	380-5610-00	KNOB	2
6	373-1175-00	DIAL COVER	1
7	331-4550-01	LCD COVER	1
8	379-1412-80 379-1429-50	INDICATOR (LCD) (3181D-A/B,3182D-A/B) INDICATOR (LCD) (3181D-C/D,3182D-C/D)	1

NO.	PART NO.	DESCRIPTION	Q'TY
9	335-8274-00	COLOR FILTER	1
10	335-8273-00	LCD HOLDER	1
11	016-0018-17	VR W/SHAFT	2
12	074-3013-74	OUTLET SOCKET	1
13	017-0420-43	PILOTLAMP	7
14	-----	Switch PWB	1
15	001-7094-91	LED (RED)	18
16	716-0778-51	WAVE SCREW(2 x 6)	11
17	345-6272-00	PROTECTOR	1

Main section



Note)Clamping torque value of a screw is 0.4 +0.08/-0.08 Newton meter.

Note) 3181D-A:PS-3181D-A,3181D-B:PS3181D-B,3181D-C:PS-3181D-C,3181D-D: PS-3181D-D
3182D-A:PS-3182D-A,3182D-B:PS3182D-B,3182D-C:PS-3182D-C,3182D-D: PS-3182D-D

NO.	PART NO.	DESCRIPTION	Q'TY	NO.	PART NO.	DESCRIPTION	Q'TY
1	076-3011-74	PLUG (24P)	1	19	816-4055-50	FLAT WIRE (CD)	1
2	074-1237-69	OUTLET SOCKET (19P)	1	20	929-0420-80	CD-MECH (6CD)	1
3	073-0762-90	TERMINAL	5	21	310-1826-60	UPPER CASE	1
4	331-4126-00	TR HOLDER	1	22	276-0586-04	SETPLATE (3181D-A)	1
5	313-1966-00	SUB HEAT SINK	1		276-0586-05	SETPLATE (3181D-B)	1
6	074-1194-00	OUTLET SOCKET (Ce-NET)	1		276-0273-88	SETPLATE (3181D-C)	1
7	074-1302-08	OUTLET SOCKET (8P)	1		276-0273-89	SETPLATE (3181D-D)	1
8	074-4007-20	OUTLET SOCKET (20P)	1		276-0586-08	SETPLATE (3182D-A)	1
9	092-0702-50	ANT-RECEPT	1		276-0586-09	SETPLATE (3182D-B)	1
10	941-0221-70	TUNER PACK	2		276-0273-90	SETPLATE (3182D-C)	1
11	331-4549-00	ANT HOLDER	1		276-0273-91	SETPLATE (3182D-D)	1
12	331-4548-00	IC HOLDER	1	23	313-1962-00	HEAT SINK	1
13	331-4547-00	SOCKET HOLDER	1	24	714-2610-89	MACHINE SCREW (M2.6x10)	2
14	714-2606-8B	MACHINE SCREW (M2.6x6)	20	25	716-0878-50	IT SCREW (M2.6x5)	9
15	778-3006-00	TAP-SCREW (3x6)	4	26	331-4092-10	MECH BRKT (R)	1
16	-----	Main PWB	1	27	331-4091-10	MECH BRKT (L)	1
17	311-1919-70	LOWER CASE	1	28	716-3552-00	MACHINE SCREW (M2.3x2.5)	6
18	309-0836-12	ES PLATE	1	29	331-4193-20	SU-PLATE	2
				30	285-1960-00	GUIDE LABEL	1
				31	780-2603-06	IT SCREW (M2.6x3)	2
				32	347-8651-00	PROTECTOR	1

ELECTRICAL PARTS LIST

Note) Some parts depend on each model. The model name is specified in the description.
 3181D-A/B : PS3181D-A.PS3181D-B , 3181D-C/D : PS-3181D-C.PS3181D-D
 3182D-A/B : PS3182D-A.PS3182D-B , 3182D-C/D : PS-3182D-C.PS3182D-D

Main PWB(B1) section

REF No.	PART No.	DESCRIPTION	REF No.	PART No.	DESCRIPTION	REF No.	PART No.	DESCRIPTION
ANT101	092-0702-50	ANT-RECEPT	C401	166-3911-50	390pF CH	D772	001-0347-39	MA4068H
BL101	941-0221-70	AM/FM TUNER	C402	043-0570-90	16V 2.2uF K	D801	001-0592-00	RM4Z
C102	168-2232-55	0.022uF K	C403	168-5632-78	16V 0.056uF	D851	001-4301-68	HZU18B1
C103	168-2232-55	0.022uF K	C404	043-0570-90	16V 2.2uF K	IC121	051-6212-18	LC72191JM-UC
C104	188-1073-28	10V 100uF	C405	188-1063-38	16V 10uF	IC241	051-3367-90	NJU7780U1-33-TE2
C105	168-1042-78	16V 0.1uF	C406	188-1073-28	10V 100uF	IC272	051-3334-00	NJM2396F09
C106	168-1042-78	16V 0.1uF	C407	168-1042-78	16V 0.1uF	IC351	051-3034-90	NJM4558V
C107	188-1073-28	10V 100uF	C408	166-3911-50	390pF CH	IC391	051-2040-00	TA8276H
C108	168-1042-78	16V 0.1uF	C409	043-0570-90	16V 2.2uF K	IC401	051-5046-90	CL7639V20
C109	168-2232-55	0.022uF K	C410	168-5632-78	16V 0.056uF	IC501	052-3220-31	M30622MGP-E72GP
C111	168-3332-78	0.033uF K	C411	043-0570-90	16V 2.2uF K	IC502	051-0869-58	NJM2103M
C112	168-4745-79	0.47uF Z	C412	168-1042-78	16V 0.1uF	IC503	051-9402-68	BR93L56F-W
C113	168-8232-78	0.082uF K	C417	178-4742-78	0.47uF	IC504	051-6600-58	HA12187FP
C114	168-8232-78	0.082uF K	C418	168-4722-55	4700pF K	IC741	051-3369-00	NJM2388F84
C121	166-1801-50	18pF CH	C419	178-4742-78	0.47uF	J241	074-1237-69	19PIN
C122	188-4763-38	16V 47uF	C420	168-4722-55	4700pF K	J701	074-1194-00	13P CE-NET
C123	168-1022-55	1000pF K	C421	178-4742-78	0.47uF	J721	074-1302-08	TH8P-SOCKET
C124	042-1458-90	50V 1uF LN	C422	168-4722-55	4700pF K	J801	074-4007-20	20P
C126	166-1011-50	100pF CH	C423	178-4742-78	0.47uF	L101	010-2003-04	30uH
C127	166-1011-50	100pF CH	C424	168-4722-55	4700pF K	L102	010-6009-76	22uH J
C128	166-1011-50	100pF CH	C501	168-1042-78	16V 0.1uF	L103	010-6009-76	22uH J
C129	166-1011-50	100pF CH	C502	188-4763-18	6.3V 47uF	L122	010-6009-76	22uH J
C130	168-2232-55	0.022uF K	C503	168-1032-55	0.01uF K	L501	010-6009-76	22uH J
C131	188-4763-38	16V 47uF	C504	168-1032-55	0.01uF K	L502	010-6009-76	22uH J
C133	168-1042-78	16V 0.1uF	C505	168-1032-55	0.01uF K	L801	010-8026-00	210uH
C160	168-1042-78	16V 0.1uF	C506	168-1042-78	16V 0.1uF	P501	076-3011-74	24P
C212	188-4763-38	16V 47uF	C507	188-1053-68	50V 1uF	Q121	191-1197-50	2SB1197K Q,R
C222	168-1042-78	16V 0.1uF	C509	168-1022-55	1000pF K	Q122	191-1197-50	2SB1197K Q,R
C241	168-2232-55	0.022uF K	C510	168-1022-55	1000pF K	Q123	191-1197-50	2SB1197K Q,R
C243	188-4763-38	16V 47uF	C511	168-1042-78	16V 0.1uF	Q124	192-4116-51	2SC4116 G,L
C244	168-1042-78	16V 0.1uF	C512	168-1032-55	0.01uF K	Q125	192-4116-51	2SC4116 G,L
C245	168-1042-78	16V 0.1uF	C513	189-1073-29	10V 100uF	Q241	125-0021-91	DTA114EUA
C274	189-2273-29	10V 220uF	C514	168-1042-78	16V 0.1uF	Q242	125-2027-91	DTC114EUA
C276	043-0328-90	0.1uF	C515	166-1011-50	100pF CH	Q243	193-0601-00	2SD601A
C301	178-1052-78	1uF	C516	188-1063-38	16V 10uF	Q244	192-4116-51	2SC4116 G,L
C302	178-1052-78	1uF	C517	042-0559-00	5.6V 0.1F	Q245	125-2027-91	DTC114EUA
C305	178-1052-78	1uF	C722	168-1042-78	16V 0.1uF	Q246	125-0021-91	DTA114EUA
C306	178-1052-78	1uF	C731	172-1041-15	0.1uF	Q247	125-2027-91	DTC114EUA
C309	168-1832-55	0.018uF K	C732	188-1053-68	50V 1uF	Q248	198-3018-00	2SK3018
C310	168-1832-55	0.018uF K	C741	043-0328-90	0.1uF	Q249	198-3018-00	2SK3018
C311	188-2253-68	50V 2.2uF	C744	188-1073-28	10V 100uF	Q391	125-2027-93	DTC144EUA
C312	188-2253-68	50V 2.2uF	C761	188-1063-38	16V 10uF	Q502	190-2071-00	2SA2071 T100
C313	188-2253-68	50V 2.2uF	C762	188-1063-38	16V 10uF	Q503	192-4116-51	2SC4116 G,L
C314	188-2253-68	50V 2.2uF	C771	188-1073-28	10V 100uF	Q504	192-4116-51	2SC4116 G,L
C318	168-1522-55	1500pF K	C772	188-1063-38	16V 10uF	Q505	192-4116-51	2SC4116 G,L
C319	168-1522-55	1500pF K	C811	172-1041-15	0.1uF	Q506	193-2118-50	2SD2118F5 R,S
C334	166-4711-50	470pF CH	C821	188-1063-38	16V 10uF	Q701	192-4116-51	2SC4116 G,L
C335	166-4711-50	470pF CH	CCT501	050-0140-54	1/32W 1k ohm x4J	Q711	190-2071-00	2SA2071 T100
C346	188-1073-28	10V 100uF	CCT504	050-0140-54	1/32W 1k ohm x4J	Q712	192-4116-51	2SC4116 G,L
C352	168-1042-78	16V 0.1uF	CCT505	050-0140-54	1/32W 1k ohm x4J	Q761	192-5810-00	2SC5810 TE12L
C353	042-1562-65	10V 220uF	D391	001-0580-90	1SS352	Q762	125-0021-91	DTA114EUA
C354	166-2201-50	22pF CH	D505	001-0580-90	1SS352	Q763	125-2027-91	DTC114EUA
C355	166-2201-50	22pF CH	D506	001-2403-90	M1F60	Q771	192-5886-00	2SC5886
C356	166-1007-50	10pF CH	D507	001-4301-25	HZU4.7B1	Q773	192-4116-51	2SC4116 G,L
C357	166-1007-50	10pF CH	D508	001-0466-90	S5688B	Q775	192-4116-51	2SC4116 G,L
C358	188-1063-38	16V 10uF	D509	001-0504-36	HZS7 A1L	Q776	125-0021-91	DTA114EUA
C359	188-1063-38	16V 10uF	D701	001-0424-31	MA4180	Q777	125-2027-91	DTC114EUA
C360	188-1063-38	16V 10uF	D702	001-0424-31	MA4180	Q821	190-2071-00	2SA2071 T100
C361	188-1063-38	16V 10uF	D703	001-0424-31	MA4180	Q822	192-4116-51	2SC4116 G,L
C391	168-1042-78	16V 0.1uF	D711	001-0466-90	S5688B	R101	119-0000-05	1/10W 0 ohm JW
C392	168-1042-78	16V 0.1uF	D712	001-0466-90	S5688B	R102	119-0000-05	1/10W 0 ohm JW
C393	168-1042-78	16V 0.1uF	D731	001-0466-90	S5688B	R103	119-1041-15	1/10W 100k ohm
C394	168-1042-78	16V 0.1uF	D761	001-0504-39	HZS7 B2L	R104	119-2221-15	1/10W 2.2k ohm
C395	168-1032-55	0.01uF K			(3181D-A/B,3182D-A/B)	R105	119-5611-15	1/10W 560 ohm
C396	163-1053-65	50V 1uF				R106	119-2221-15	1/10W 2.2k ohm
C397	042-1624-00	16V 4700uF	D761	001-0504-40	HZS7 B3L	R107	116-1001-15	1/4W 10 ohm
C398	163-1063-35	16V 10uF			(3181D-C/D,3182D-C/D)	R108	119-2231-15	1/10W 22k ohm
C399	163-1053-65	50V 1uF				R109	119-5121-15	1/10W 5.1k ohm
C400	166-2201-50	22pF CH	D771	001-0347-44	MA4082M	R111	166-8201-50	82pF CH

Note) Some parts depend on each model. The model name is specified in the description.

PS-3181D-A/B/C/D : PS3181D-A.PS3181D-B.PS-3181D-C.PS3181D-D
 PS-3182D-A/B/C/D : PS3182D-A.PS3182D-B.PS-3182D-C.PS3182D-D

REF No.	PART No.	DESCRIPTION	REF No.	PART No.	DESCRIPTION	REF No.	PART No.	DESCRIPTION
R122	119-3321-15	1/10W 3.3k ohm	R400	119-1031-15	1/10W 10k ohm	R574	119-4731-15	1/10W 47k ohm
R123	119-4721-15	1/10W 4.7k ohm	R401	119-2731-15	1/10W 27k ohm			(PS-3181D-A/B/C/D)
R124	119-2221-15	1/10W 2.2k ohm	R402	119-2021-15	1/10W 2k ohm	R574	-----	(PS-3182D-A/B/C/D)
R125	119-1021-15	1/10W 1k ohm	R403	119-2731-15	1/10W 27k ohm	R701	116-1211-15	1/4W 120 ohm
R126	119-0000-05	1/10W 0 ohm JW	R404	119-2021-15	1/10W 2k ohm	R702	116-6801-15	1/4W 68 ohm
R127	119-5631-15	1/10W 56k ohm	R405	119-0000-05	1/10W 0 ohm JW	R703	119-2231-15	1/10W 22k ohm
R128	119-4731-15	1/10W 47k ohm	R502	119-4721-15	1/10W 4.7k ohm	R704	119-2231-15	1/10W 22k ohm
R129	119-4731-15	1/10W 47k ohm	R503	119-4721-15	1/10W 4.7k ohm	R711	116-2221-15	1/4W 2.2k ohm
R130	119-2221-15	1/10W 2.2k ohm	R504	119-4721-15	1/10W 4.7k ohm	R712	117-1031-15	1/8W 10k ohm
R131	119-1031-15	1/10W 10k ohm	R510	119-4721-15	1/10W 4.7k ohm	R713	116-2221-15	1/4W 2.2k ohm
R132	119-1031-15	1/10W 10k ohm	R511	119-4721-15	1/10W 4.7k ohm	R714	119-1031-15	1/10W 10k ohm
R133	119-2221-15	1/10W 2.2k ohm	R512	119-4721-15	1/10W 4.7k ohm	R715	119-3321-15	1/10W 3.3k ohm
R134	119-2221-15	1/10W 2.2k ohm	R513	119-4721-15	1/10W 4.7k ohm	R726	119-1021-15	1/10W 1k ohm
R135	119-1031-15	1/10W 10k ohm	R514	119-1021-15	1/10W 1k ohm	R731	116-5621-15	1/4W 5.6k ohm
R242	119-4731-15	1/10W 47k ohm	R515	119-1041-15	1/10W 100k ohm	R732	116-4721-15	1/4W 4.7k ohm
R243	119-1021-15	1/10W 1k ohm	R516	119-1041-15	1/10W 100k ohm	R761	032-0092-56	1/8W 22k ohm F
R245	119-3331-15	1/10W 33k ohm	R517	116-1001-15	1/4W 10 ohm	R762	032-0092-31	1/8W 150k ohm F
R246	119-4731-15	1/10W 47k ohm	R520	119-4731-15	1/10W 47k ohm	R763	032-0092-51	1/8W 1k ohm F
R248	119-1041-15	1/10W 100k ohm	R521	119-4731-15	1/10W 47k ohm	R764	119-1221-15	1/10W 1.2k ohm
R250	119-3331-15	1/10W 33k ohm	R522	119-4731-15	1/10W 47k ohm	R771	119-0000-05	1/10W 0 ohm JW
R253	119-4731-15	1/10W 47k ohm	R527	119-4721-15	1/10W 4.7k ohm	R772	119-2231-15	1/10W 22k ohm
R255	119-3331-15	1/10W 33k ohm	R528	032-0140-66	1/10W 220 ohm F	R773	116-1021-15	1/4W 1k ohm
R256	119-0000-05	1/10W 0 ohm JW	R529	119-1031-15	1/10W 10k ohm	R774	119-2231-15	1/10W 22k ohm
R258	119-4731-15	1/10W 47k ohm	R530	119-1041-15	1/10W 100k ohm	R779	116-1821-15	1/4W 1.8k ohm
R271	119-4731-15	1/10W 47k ohm	R531	119-1031-15	1/10W 10k ohm	R780	117-1821-15	1/8W 1.8k ohm
R276	119-0000-05	1/10W 0 ohm JW	R532	119-4721-15	1/10W 4.7k ohm	R781	119-0000-05	1/10W 0 ohm JW
R301	119-1021-15	1/10W 1k ohm	R533	119-4721-15	1/10W 4.7k ohm	R793	119-0000-05	1/10W 0 ohm JW
R302	119-1021-15	1/10W 1k ohm	R534	119-1021-15	1/10W 1k ohm	R801	119-0000-05	1/10W 0 ohm JW
R305	119-1021-15	1/10W 1k ohm	R535	119-1031-15	1/10W 10k ohm	R802	119-0000-05	1/10W 0 ohm JW
R306	119-1021-15	1/10W 1k ohm	R536	119-2221-15	1/10W 2.2k ohm	R821	116-1031-15	1/4W 10k ohm
R309	119-1021-15	1/10W 1k ohm	R537	119-1031-15	1/10W 10k ohm	R822	119-3321-15	1/10W 3.3k ohm
R310	119-1021-15	1/10W 1k ohm	R538	119-1031-15	1/10W 10k ohm	R823	119-1031-15	1/10W 10k ohm
R311	119-5631-15	1/10W 56k ohm	R539	119-1031-15	1/10W 10k ohm	R824	116-2221-15	1/4W 2.2k ohm
R312	119-5631-15	1/10W 56k ohm	R540	119-4731-15	1/10W 47k ohm	R825	116-2221-15	1/4W 2.2k ohm
R313	119-5631-15	1/10W 56k ohm	R541	119-5621-15	1/10W 5.6k ohm	R826	119-8221-15	1/10W 8.2k ohm
R314	119-5631-15	1/10W 56k ohm	R542	119-2231-15	1/10W 22k ohm	R902	119-0000-05	1/10W 0 ohm JW
R323	119-0000-05	1/10W 0 ohm JW	R544	119-4731-15	1/10W 47k ohm	R907	119-0000-05	1/10W 0 ohm JW
R324	119-0000-05	1/10W 0 ohm JW	R545	119-6831-15	1/10W 68k ohm			(PS-3181D-A/B/C/D)
R325	119-0000-05	1/10W 0 ohm JW	R546	119-1021-15	1/10W 1k ohm	R907	-----	(PS-3182D-A/B/C/D)
R326	119-0000-05	1/10W 0 ohm JW	R547	119-1021-15	1/10W 1k ohm	R908	-----	(PS-3181D-A/B/C/D)
R351	119-8211-15	1/10W 820 ohm	R548	119-1031-15	1/10W 10k ohm	R908	119-0000-05	1/10W 0 ohm JW
R352	119-1021-15	1/10W 1k ohm	R549	119-3341-15	1/10W 330k ohm			(PS-3182D-A/B/C/D)
R353	032-0140-50	1/10W 10k ohm F	R550	032-0140-22	1/10W 68k ohm F	SUP101	060-0122-20	DSP-141N-S00B
R354	032-0140-50	1/10W 10k ohm F	R551	032-0140-00	1/10W 56k ohm F	TC121	004-1580-10	30pF GRN
R355	032-0140-50	1/10W 10k ohm F	R552	117-6821-15	1/8W 6.8k ohm	TH711	002-0318-21	THERMISTOR
R356	032-0140-50	1/10W 10k ohm F	R553	119-4731-15	1/10W 47k ohm	TM101	073-0762-90	TERMINAL
R357	032-0140-50	1/10W 10k ohm F	R554	119-4731-15	1/10W 47k ohm	TM501	073-0762-90	TERMINAL
R358	032-0140-50	1/10W 10k ohm F	R555	119-5621-15	1/10W 5.6k ohm	TM502	073-0762-90	TERMINAL
R359	032-0140-50	1/10W 10k ohm F	R556	119-1021-15	1/10W 1k ohm	TM801	073-0762-90	TERMINAL
R360	032-0140-50	1/10W 10k ohm F	R557	119-4731-15	1/10W 47k ohm	TM802	073-0762-90	TERMINAL
R391	119-5631-15	1/10W 56k ohm	R558	119-1031-15	1/10W 10k ohm	X121	061-1066-00	7.2MHz
R392	119-1221-15	1/10W 1.2k ohm	R568	119-4731-15	1/10W 47k ohm	X501	060-1533-90	CSTCE10M0G52-RO
R393	119-2221-15	1/10W 2.2k ohm	R570	119-4731-15	1/10W 47k ohm			
R394	119-2221-15	1/10W 2.2k ohm	R572	119-4731-15	1/10W 47k ohm	PWB	039-3295-00	PWB(WITHOUT COMPONENT)
R395	119-2221-15	1/10W 2.2k ohm	R573	-----	(PS-3181D-A/B/C/D)			
R396	119-2221-15	1/10W 2.2k ohm	R573	119-4731-15	1/10W 47k ohm			
R397	119-1031-15	1/10W 10k ohm			(PS-3182D-A/B/C/D)			

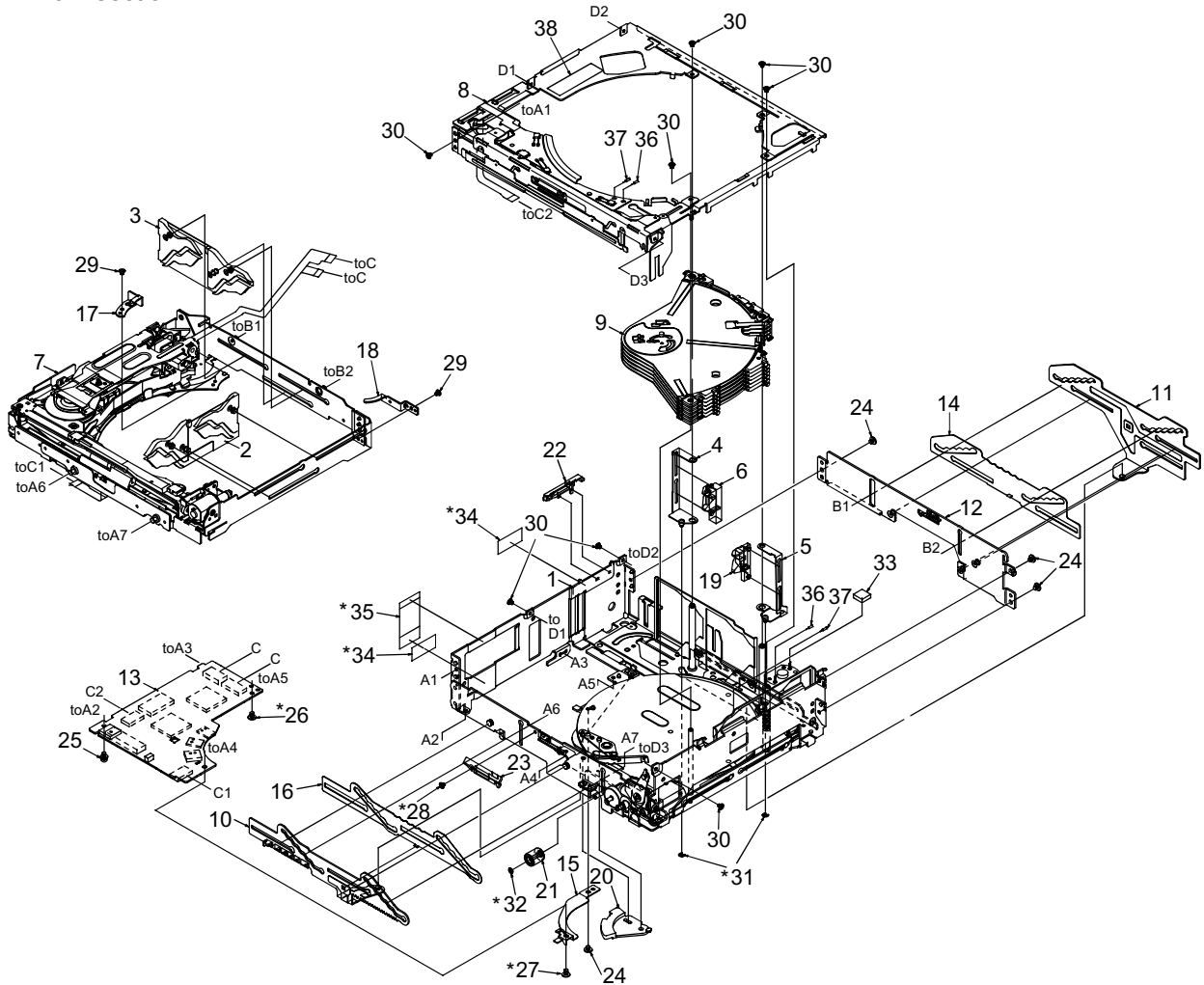
Switch PWB section (B2)

Note) Some parts depend on each model. The model name is specified in the description.
 3181D-A/-B : PS3181D-A.PS3181D-B , 3181D-C/-D : PS-3181D-C.PS3181D-D
 3182D-A/-B : PS3182D-A.PS3182D-B , 3182D-C/-D : PS-3182D-C.PS3182D-D

REF No.	PART No.	DESCRIPTION	REF No.	PART No.	DESCRIPTION	REF No.	PART No.	DESCRIPTION
C901	168-1042-78	16V 0.1uF	R925	119-2211-15	1/10W 220 ohm (3181D-A/-B)	R935	119-2211-15	1/10W 220 ohm (3181D-A/-B)
C902	168-1042-78	16V 0.1uF			(3182D-A/-B)			(3182D-A/-B)
C903	168-1042-78	16V 0.1uF	R925	119-2711-15	1/10W 270 ohm (3181D-C/-D)	R935	119-2711-15	1/10W 270 ohm (3181D-C/-D)
C904	168-1042-78	16V 0.1uF			(3182D-C/-D)			(3182D-C/-D)
C905	168-1042-78	16V 0.1uF	R926	119-2211-15	1/10W 220 ohm (3181D-A/-B)	R936	119-2411-15	1/10W 240 ohm (3181D-A/-B)
C906	178-1052-78	1uF			(3182D-A/-B)			(3182D-A/-B)
D901	001-0580-90	1SS352	R926	119-2711-15	1/10W 270 ohm (3181D-C/-D)	R936	119-3011-15	1/10W 300 ohm (3181D-C/-D)
D902	001-0580-90	1SS352			(3182D-C/-D)			(3182D-C/-D)
D903	001-0580-90	1SS352	R927	119-2411-15	1/10W 240 ohm (3181D-A/-B)	R937	119-2211-15	1/10W 220 ohm (3181D-A/-B)
D904	001-0580-90	1SS352			(3182D-A/-B)			(3182D-A/-B)
D905	001-7094-91	VFR1112H-TR	R927	119-3011-15	1/10W 300 ohm (3181D-C/-D)	R937	119-2711-15	1/10W 270 ohm (3181D-C/-D)
D906	001-7094-91	VFR1112H-TR			(3182D-C/-D)			(3182D-C/-D)
D907	001-7094-91	VFR1112H-TR	R928	119-2211-15	1/10W 220 ohm (3181D-A/-B)	R938	119-2211-15	1/10W 220 ohm (3181D-A/-B)
D908	001-7094-91	VFR1112H-TR			(3182D-A/-B)			(3182D-A/-B)
D909	001-7094-91	VFR1112H-TR	R928	119-2711-15	1/10W 270 ohm (3181D-C/-D)	R938	119-2711-15	1/10W 270 ohm (3181D-C/-D)
D910	001-7094-91	VFR1112H-TR			(3182D-C/-D)			(3182D-C/-D)
D911	001-7094-91	VFR1112H-TR	R929	119-2211-15	1/10W 220 ohm (3181D-A/-B)	R939	119-2411-15	1/10W 240 ohm (3181D-A/-B)
D912	001-7094-91	VFR1112H-TR			(3182D-A/-B)			(3182D-A/-B)
D913	001-7094-91	VFR1112H-TR	R929	119-2711-15	1/10W 270 ohm (3181D-C/-D)	R939	119-3011-15	1/10W 300 ohm (3181D-C/-D)
D914	001-0580-90	1SS352			(3182D-C/-D)			(3182D-C/-D)
D915	001-7094-91	VFR1112H-TR	R930	119-2411-15	1/10W 240 ohm (3181D-A/-B)	R940	119-0000-05	1/10W 0 ohm JW
D916	001-7094-91	VFR1112H-TR			(3182D-A/-B)	R941	119-2211-15	1/10W 220 ohm (3181D-A/-B)
D917	001-7094-91	VFR1112H-TR	R930	119-3011-15	1/10W 300 ohm (3181D-C/-D)			(3182D-A/-B)
D918	001-7094-91	VFR1112H-TR			(3182D-C/-D)	R941	119-2711-15	1/10W 270 ohm (3181D-C/-D)
D919	001-7094-91	VFR1112H-TR	R931	119-2211-15	1/10W 220 ohm (3181D-A/-B)			(3182D-C/-D)
D920	001-7094-91	VFR1112H-TR			(3182D-A/-B)	R942	119-2211-15	1/10W 220 ohm (3181D-A/-B)
D921	001-7094-91	VFR1112H-TR	R931	119-2711-15	1/10W 270 ohm (3181D-C/-D)			(3182D-A/-B)
D922	001-7094-91	VFR1112H-TR			(3182D-C/-D)	R942	119-2711-15	1/10W 270 ohm (3181D-C/-D)
D923	001-7094-91	VFR1112H-TR	R932	119-2211-15	1/10W 220 ohm (3181D-A/-B)			(3182D-C/-D)
IC901	051-6084-00	NJU6625FG1-03			(3182D-A/-B)	R943	119-2411-15	1/10W 240 ohm (3181D-A/-B)
J901	074-3013-74	24P	R932	119-2711-15	1/10W 270 ohm (3181D-C/-D)			(3182D-A/-B)
L901	010-3406-66	22uH J			(3182D-C/-D)	R943	119-3011-15	1/10W 300 ohm (3181D-C/-D)
LCD901	379-1412-80	INDICATOR(LCD) (3181D-A/-B)	R933	119-2411-15	1/10W 240 ohm (3181D-A/-B)	TH901	002-0315-00	TN10-3U153JT
		(3182D-A/-B)			(3182D-A/-B)	VR901	016-0018-17	VR W/SHAFT
LCD901	379-1429-50	INDICATOR(LCD) (3181D-C/-D)	R933	119-3011-15	1/10W 300 ohm (3181D-C/-D)	VR902	016-0018-17	VR W/SHAFT
		(3182D-C/-D)			(3182D-C/-D)	PWB	039-3292-00	PWB(WITHOUT COMPONENTS)
PL901	017-0420-43	14V 40mA RED	R934	119-2211-15	1/10W 220 ohm (3181D-A/-B)			
PL902	017-0420-43	14V 40mA RED			(3182D-A/-B)			
PL903	017-0420-43	14V 40mA RED	R934	119-2711-15	1/10W 270 ohm (3181D-C/-D)			
PL904	017-0420-43	14V 40mA RED			(3182D-C/-D)			
PL905	017-0420-43	14V 40mA RED						
PL907	017-0420-43	14V 40mA RED						
PL908	017-0420-43	14V 40mA RED						
R901	119-0000-05	1/10W 0 ohm JW						
R902	119-0000-05	1/10W 0 ohm JW						
R907	119-0000-05	1/10W 0 ohm JW						
R908	119-0000-05	1/10W 0 ohm JW						
R909	119-0000-05	1/10W 0 ohm JW						
R910	119-0000-05	1/10W 0 ohm JW						
R914	119-0000-05	1/10W 0 ohm JW						
R917	119-0000-05	1/10W 0 ohm JW						
R918	119-4341-15	1/10W 430k ohm						
R919	119-1021-15	1/10W 1k ohm						
R920	119-1021-15	1/10W 1k ohm						
R921	119-1841-15	1/10W 180k ohm						
R922	119-1841-15	1/10W 180k ohm						
R923	119-1841-15	1/10W 180k ohm						
R924	119-1841-15	1/10W 180k ohm						

EXPLODED VIEW/PARTS LIST

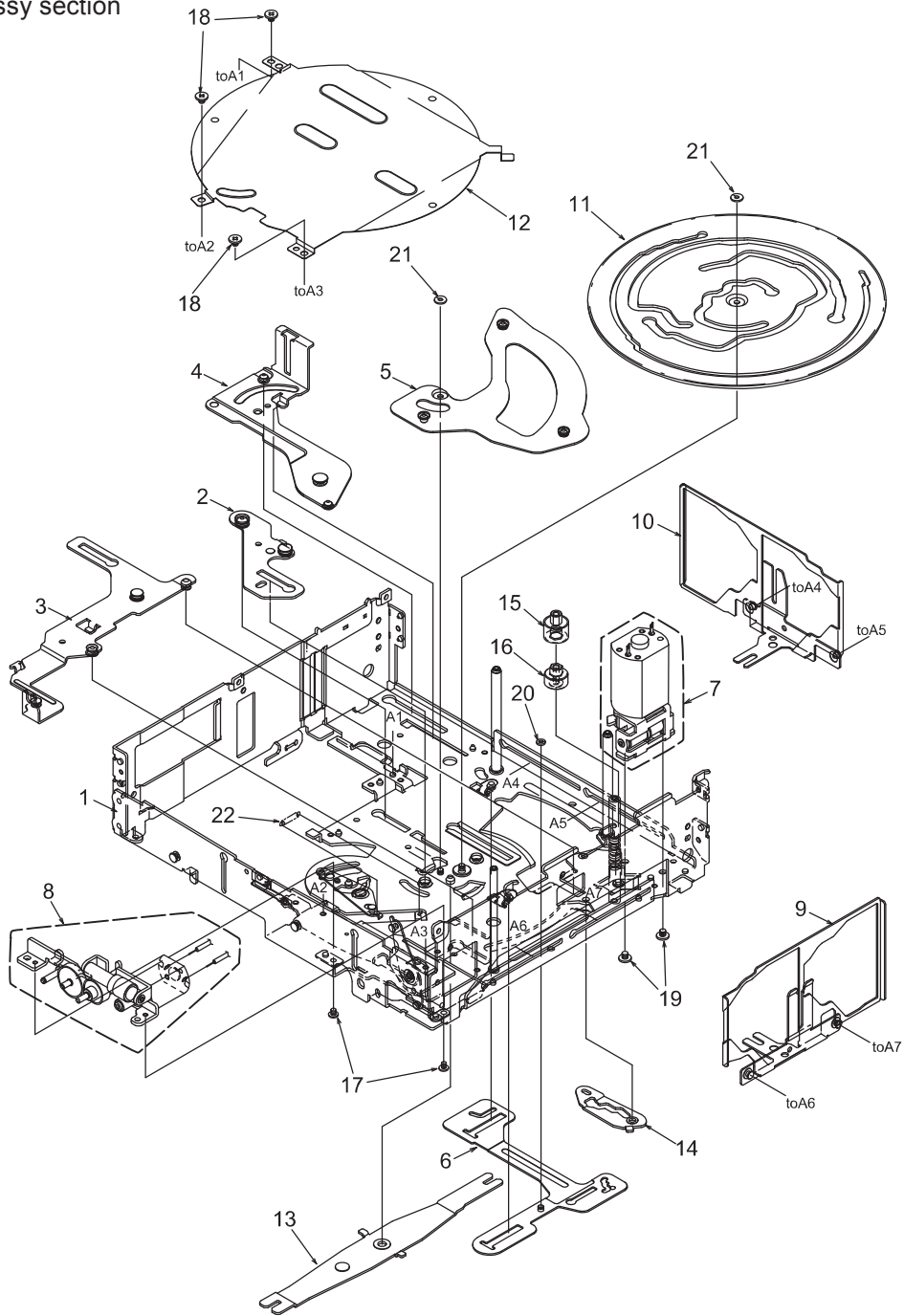
Main section



* Do not reuse the following parts.
(No.26,27,28,31,32,34,35)

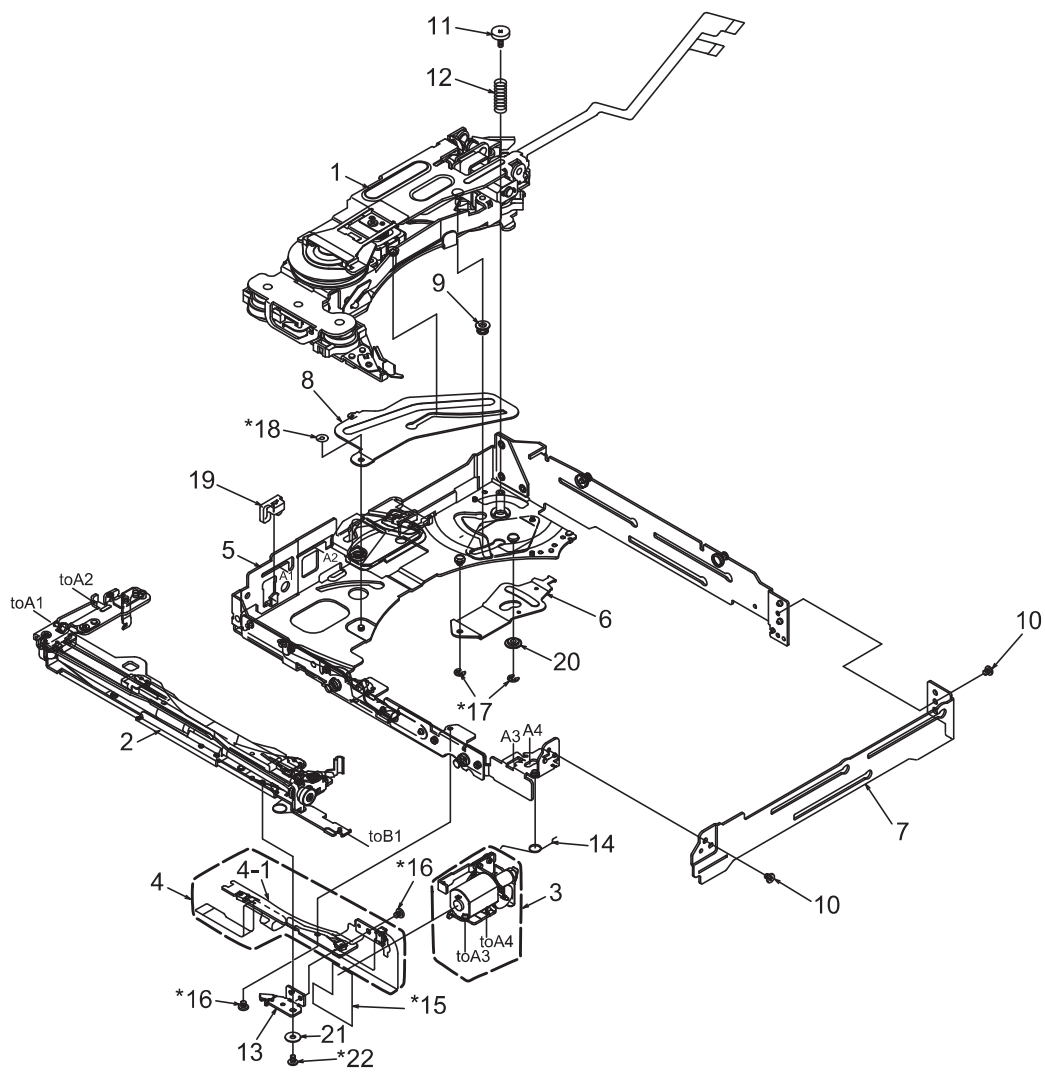
NO.	PART NO.	DESCRIPTION	Q'TY	NO.	PART NO.	DESCRIPTION	Q'TY
1	-----	LOWER UNIT ASSY	1	20	621-1812-20	SW LINK	1
2	HBS-617-100	KUSABI-ASSY-S	1	21	621-1765-20	UD-GEAR-D	1
3	HBS-618-100	KUSABI-ASSY-R	1	22	621-1715-20	FPC-STOPPER	1
4	966-1846-20	DS-SP-ASSY L	1	23	621-1736-20	UD-GEAR-B	1
5	966-1847-21	DS-SP ASSY R	1	24	716-1850-01	SCREW(M2.0x2)	4
6	966-0667-21	DISC STP-ASSY L	1	25	716-3598-00	SCREW(M2.0x4)	1
7	966-1844-21	DRIVE-CH UNIT	1	26	716-3599-00	SCREW(M2.0x2 sealock)	1
8	966-1840-22	UPPER UNIT ASSY	1	27	716-3600-00	SCREW(M2.0x3 sealock)	1
9	HBS-602-100	DISCHOLDER UNIT	1	28	716-3601-00	SCREW(M1.7x2 sealock)	1
10	966-1771-21	SLIDE-P-ASSY	1	29	716-3450-00	SCREW(M1.7x2.0)	2
11	966-1814-21	SLIDE-P-ASSY-R	1	30	716-3451-01	SCREW(M1.7x2.5)	8
12	966-1874-20	REAR-P-ASSY R	1	31	744-0045-01	C-RING	2
13	HBS-631-100	CD PWB ASSY	1	32	746-0761-00	WASHER	1
14	620-1662-21	GAP PLATE R	1	33	345-5824-00	RUBBER PART	1
15	620-1640-20	SW-H-PLATE	1	34	347-8230-00	PROTECT SHEET	2
16	620-1778-21	GAP PLATE F	1	35	347-8219-00	FPC-SHEET N	1
17	620-1685-21	DS-PLATE L	1	36	800-4921-60	VINYL-COAT-WIRE	1
18	620-1686-20	DS-PLATE R	1	37	802-4921-60	VINYL-COAT-WIRE	1
19	621-1815-20	DISC STOPPER R	1	38	293-8575-00	MECH LABEL	1

Lower unit assy section



NO.	PART NO.	DESCRIPTION	Q'TY	NO.	PART NO.	DESCRIPTION	Q'TY
1	966-1834-24	LOWER-C-ASSY	1	12	620-1624-24	GEAR COVER	1
2	966-0658-22	DH-SP-ASSY	1	13	620-1848-21	UD LINK	1
3	966-1836-20	TATSU-P-ASSY	1	14	620-1847-91	DS-SHIFT LINK	1
4	966-1832-20	D-SHT PL-B-ASSY	1	15	621-1811-21	M-GEAR B	1
5	966-0659-22	DH-SP-ASSY B	1	16	621-0733-20	M-GEAR C	1
6	966-1835-92	DS-SP-ASSY	1	17	716-3451-01	SCREW(M1.7x2.5)	2
7	HBS-622-100	M-MTR SUB ASSY	1	18	716-1850-01	SCREW(M2.0x2.0)	3
8	HBS-616-100	UD-MOTOR-ASSY	1	19	716-1851-03	SCREW(M2.0x3.0)	2
9	966-1872-20	INITIAL ASSY S	1	20	746-0870-00	WASHER	1
10	966-1873-20	INITIAL ASSY R	1	21	746-0768-00	WASHER	2
11	620-1623-24	CAM GEAR	1	22	750-6756-21	SW-L-SPRING	1

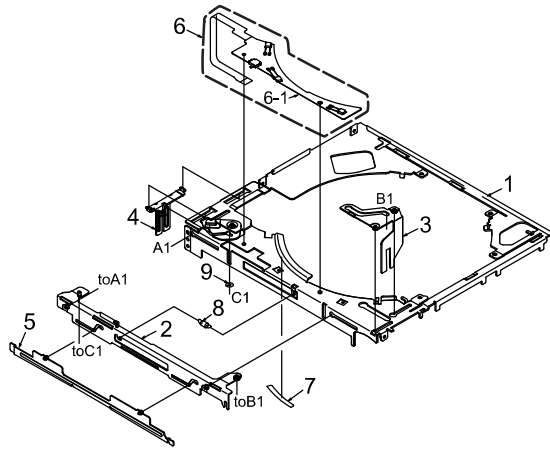
Drive-CH unit section



* Do not reuse the following parts.
(No.15,16,17,18,22)

NO.	PART NO.	DESCRIPTION	Q'TY	NO.	PART NO.	DESCRIPTION	Q'TY
1	HBS-620-100	DRIVE UNIT	1	12	750-6852-20	DRIVE SPRING A	1
2	HBS-612-100	LOADING-U-ASSY	1	13	620-1831-21	S-PWB PLATE	1
3	HBS-615-100	LO-MOTOR-S-ASSY	1	14	750-6754-20	LO-ES-SPRING B	1
4	HBS-614-100	L-SEN-FPC-ASSY	1	15	345-5424-01	SEN-FPC GUIDE	1
4-1	-----	SENSOR-L-FPC	1	16	716-3601-00	SCREW(M1.7x2 sealock)	2
5	966-1828-22	DRIVE-CH A-ASSY	1	17	743-1500-1B	E-RING	2
6	620-1838-21	D-SHIFT LINK A	1	18	746-0870-00	WASHER	1
7	620-1837-20	DRIVE CHASSIS B	1	19	621-1807-00	RUBBER PART	1
8	620-1836-20	DR-SUPPORT-PL	1	20	622-1850-20	D-SHIFT ROLLERE	1
9	622-1743-21	D-SHIFT ROLLERB	1	21	347-8392-00	FPC WASHER	1
10	716-3450-00	SCREW(M1.7x2)	2	22	716-3451-02	SCREW(M1.7x2.5 sealock)	1
11	716-3603-00	SCREW(M1.7x5)	1				

Upper unit assy section



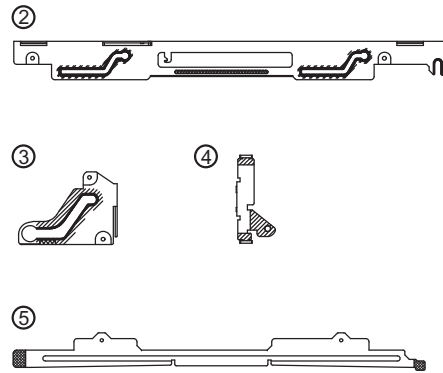
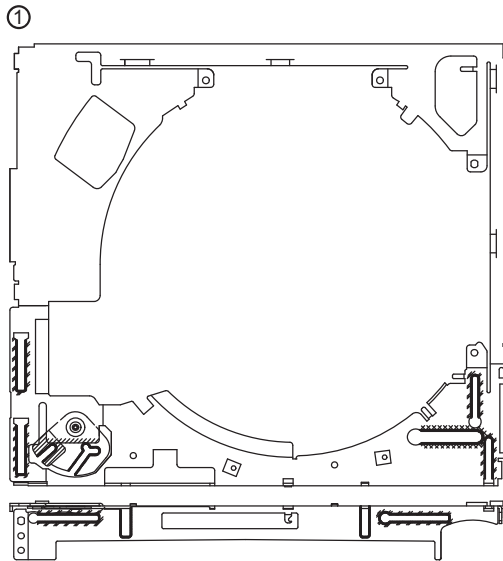
* Do not reuse the following parts.
(No.6,7,9)

NO.	PART NO.	DESCRIPTION	QTY
1	966-1823-21	UPPER-CHA-ASSY	1
2	966-1824-20	LO-SHIFT A ASSY	1
3	966-1791-20	LO-SHIFT B ASSY	1
4	966-1825-20	LO-SHIFT C ASSY	1
5	966-1826-20	SHUTTER ASSY	1
6	HBS-613-100	U-SEN-FPC-ASSY	1
6-1	-----	SENSOR-U-FPC	1
7	347-8216-00	RATTLE SHEET	1
8	750-6850-20	SHUTTER SPRING	1
9	746-0870-00	WASHER	1

[Grease Point]

* Grease : SANKOL FG-87HSR

	Put grease on the surface	
	Put grease on the reverse side	
	Put grease on the both sides	
	Put grease on the edge	



ELECTRICAL PARTS LIST

CD PWB(BM1) section

REF No.	PART No.	DESCRIPTION	REF No.	PART No.	DESCRIPTION	REF No.	PART No.	DESCRIPTION
C1	168-1052-78	16V 1uF	C13	168-1052-78	16V 1uF	C22	168-1052-78	16V 1uF
C3	168-1042-78	16V 0.1uF	C14	168-1042-78	16V 0.1uF	C25	168-4732-78	0.047uF K
C4	043-0559-90	6.3V 22uF	C15	168-1052-78	16V 1uF	C26	166-4711-50	470pF CH
C5	168-1032-55	0.01uF K	C16	043-0559-90	6.3V 22uF	C27	168-1052-78	16V 1uF
C6	042-1702-90	6.3V 100uF	C17	168-1032-55	0.01uF K	C28	168-4732-78	0.047uF K
C7	168-1052-78	16V 1uF	C18	168-1052-78	16V 1uF	C29	166-4711-50	470pF CH
C9	168-1052-78	16V 1uF	C19	043-0559-90	6.3V 22uF	C30	166-1007-50	10pF CH
C11	168-1052-78	16V 1uF	C20	168-1042-78	16V 0.1uF	C31	166-1007-50	10pF CH
C12	042-0671-01	10V 47uF TA	C21	168-1032-55	0.01uF K	C32	168-1042-78	16V 0.1uF

Note) Several different parts of the same reference number are alternative parts.
One of those parts is used in the set.

REF No.	PART No.	DESCRIPTION	REF No.	PART No.	DESCRIPTION	REF No.	PART No.	DESCRIPTION
C33	168-2222-55	2200pF K	IC3	051-6733-00	TC94A73MFG-201	R30	119-4701-15	1/10W 47 ohm
C34	168-1042-78	16V 0.1uF	IC4	051-6060-08	BD7961FM-E2	R31	119-2201-15	1/10W 22 ohm
C35	168-1042-78	16V 0.1uF	IC5	051-5452-90	BD5235G	R32	119-1051-15	1/10W 1M ohm
C36	168-1042-78	16V 0.1uF	IC8	051-9402-78	BR93L56RFVM-W	R33	119-2211-15	1/10W 220 ohm
C37	168-6822-55	6800pF K	IC9	051-6072-08	BD7931FE2	R34	119-4731-15	1/10W 47k ohm
C39	168-1042-78	16V 0.1uF	IC10	051-5833-00	GP1S093HCZ	R35	119-1051-15	1/10W 1M ohm
C40	168-3332-78	0.033uF K	IC11	051-3392-90	S-1323B15NB-N8ATFG	R36	119-4721-15	1/10W 4.7k ohm
C41	168-1042-78	16V 0.1uF				R37	119-4731-15	1/10W 47k ohm
C42	168-1042-78	16V 0.1uF	J1	074-1237-69	SOCKET 19P	R38	119-2231-15	1/10W 22k ohm
C43	168-1042-78	16V 0.1uF	J2	074-1201-65	SOCKET 15P	R39	119-1041-15	1/10W 100k ohm
C45	168-1042-78	16V 0.1uF	J3	074-1138-56	SOCKET 6P	R40	119-4721-15	1/10W 4.7k ohm
C46	168-1042-78	16V 0.1uF	J4	074-1100-61	SOCKET 11P	R41	119-4731-15	1/10W 47k ohm
C48	168-1042-78	16V 0.1uF	J5	074-1201-61	SOCKET 11P	R42	032-0140-16	1/10W 180k ohm F
C49	168-1042-78	16V 0.1uF	Q1	060-0252-01	PT4850F	R43	119-4731-15	1/10W 47k ohm
C50	168-1042-78	16V 0.1uF	Q2	125-0021-91	DTA114EUA	R44	119-2201-15	1/10W 22 ohm
C51	168-1042-78	16V 0.1uF	Q3	198-3018-00	2SK3018	R45	119-1511-15	1/10W 150 ohm
C52	168-5622-55	5600pF K	Q4	190-2060-00	2SA2060	R46	119-4721-15	1/10W 4.7k ohm
C53	168-1042-78	16V 0.1uF	Q8	190-2060-00	2SA2060	R47	032-0140-96	1/10W 120k ohm F
C54	166-6801-50	68pF CH	Q9	125-9026-90	IMF29	R48	119-1041-15	1/10W 100k ohm
C55	168-1532-55	0.015uF K	Q10	125-2027-91	DTC114EUA	R50	119-2211-15	1/10W 220 ohm
C56	168-1042-78	16V 0.1uF	Q11	125-0021-91	DTA114EUA	R51	119-0000-05	1/10W 0 ohm JW
C57	168-1032-55	0.01uF K	Q12	125-2027-91	DTC114EUA	R52	119-1041-15	1/10W 100k ohm
C58	168-1042-78	16V 0.1uF	Q13	125-9026-90	IMF29	R53	119-5621-15	1/10W 5.6k ohm
C59	168-1042-78	16V 0.1uF	R1	119-6811-15	1/10W 680 ohm	R55	119-3341-15	1/10W 330k ohm
C60	168-1522-55	1500pF K	R2	119-6811-15	1/10W 680 ohm	R56	119-4731-15	1/10W 47k ohm
C61	168-3322-55	3300pF K	R3	032-0163-91	1/2W 10 ohm	R57	119-2231-15	1/10W 22k ohm
C62	168-1032-55	0.01uF K	R4	032-0163-91	1/2W 10 ohm	R58	119-2211-15	1/10W 220 ohm
C64	168-1042-78	16V 0.1uF	R5	119-2231-15	1/10W 22k ohm	R59	119-1511-15	1/10W 150 ohm
C65	168-1032-55	0.01uF K	R6	116-1001-15	1/4W 10 ohm	R60	119-4731-15	1/10W 47k ohm
C67	168-1032-55	0.01uF K	R7	119-1021-15	1/10W 1k ohm	R61	119-1041-15	1/10W 100k ohm
C69	168-1532-55	0.015uF K	R8	116-1591-15	1/4W 1.5 ohm	R62	119-1041-15	1/10W 100k ohm
C70	166-4701-50	47pF CH	R9	119-2231-15	1/10W 22k ohm	R63	119-1041-15	1/10W 100k ohm
C71	168-1042-78	16V 0.1uF	R10	119-4711-15	1/10W 470 ohm	R64	119-1011-15	1/10W 100 ohm
C72	168-1042-78	16V 0.1uF	R11	119-2211-15	1/10W 220 ohm	R65	119-1041-15	1/10W 100k ohm
C74	166-6097-50	6pF CH	R12	119-6811-15	1/10W 680 ohm	R66	117-5611-15	1/8W 560 ohm
C75	168-1042-78	16V 0.1uF	R13	119-1011-15	1/10W 100 ohm	R67	116-3311-15	1/4W 330 ohm
C76	168-5622-55	5600pF K	R14	119-2231-15	1/10W 22k ohm	R68	116-3311-15	1/4W 330 ohm
C77	168-1032-55	0.01uF K	R15	119-8231-15	1/10W 82k ohm	R81	116-1591-15	1/4W 1.5 ohm
C101	043-0563-90	16V 47uF	R16	119-1041-15	1/10W 100k ohm	R101	119-0000-05	1/10W 0 ohm JW
CCT1	050-0145-59	1/16W 22 ohm x4	R17	119-1041-15	1/10W 100k ohm	R102	119-0000-05	1/10W 0 ohm JW
CCT2	050-0145-54	1/16W 47k ohm x4	R18	119-1041-15	1/10W 100k ohm	R103	119-0000-05	1/10W 0 ohm JW
CCT3	050-0145-54	1/16W 47k ohm x4	R19	119-1041-15	1/10W 100k ohm	R201	119-0000-05	1/10W 0 ohm JW
CCT4	050-0145-55	1/16W 10k ohm x4	R20	119-1041-15	1/10W 100k ohm	R212	119-1041-15	1/10W 100k ohm
CCT5	050-0140-55	1/32W 2.2k ohmx4J	R21	119-2221-15	1/10W 2.2k ohm	S1	013-7416-50	SW SPVL110200
D1	001-4301-14	HZU 3.0B1	R22	119-4711-15	1/10W 470 ohm	S2	013-7416-50	SW SPVL110200
D1	001-0529-14	MA8030-L	R23	119-1051-15	1/10W 1M ohm	S3	013-7412-50	SPVG21
D2	001-0367-91	1SS226	R24	119-2211-15	1/10W 220 ohm	S4	013-7415-50	SPVG110400
D3	001-4301-13	HZU 2.7B2	R25	119-2211-15	1/10W 220 ohm	X1	061-3534-90	16.92MHz
D3	001-0529-13	MA8029-H	R26	119-1041-15	1/10W 100k ohm	X3	060-1545-90	20MHz
D4	001-4301-18	HZU 3.6B1	R27	119-1051-15	1/10W 1M ohm	PWB	039-3058-20	PWB(WITHOUT COMPONENT)
D4	001-0529-18	MA8036-L	R28	119-1041-15	1/10W 100k ohm			
IC2	052-5077-01	TMP91CY22IFG	R29	119-1041-15	1/10W 100k ohm			

Sensor-L-PFC(BM2) section

REF No.	PART No.	DESCRIPTION
PT1	060-0252-01	PT14850F
PT2	060-0252-01	PT14850F
PT3	051-5833-00	GP1S093HCZ

REF No.	PART No.	DESCRIPTION
PWB	039-3003-20	PWB(WITHOUT COMPONENTS)

Sensor-U-PFC(BM3) section

REF No.	PART No.	DESCRIPTION
LED1	001-7077-00	GL4804
LED2	001-7042-00	GL4800
LED3	001-7042-00	GL4800

REF No.	PART No.	DESCRIPTION
S5	013-7417-50	ABC1122P161
PWB	039-3004-20	PWB(WITHOUT COMPONENTS)