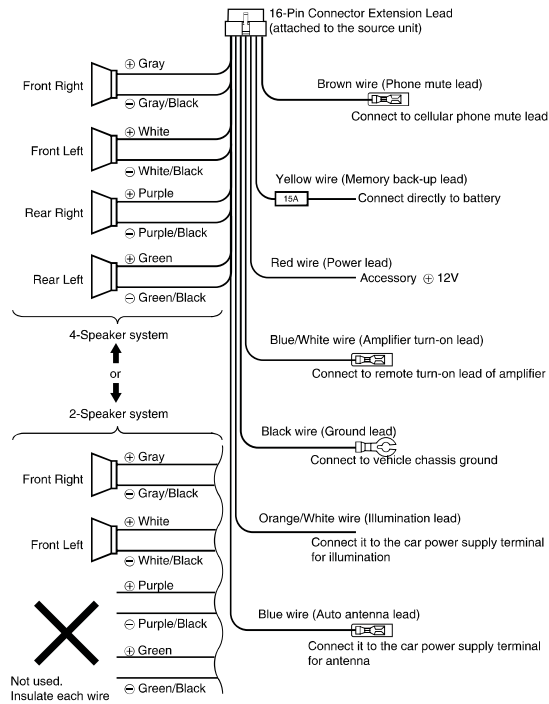
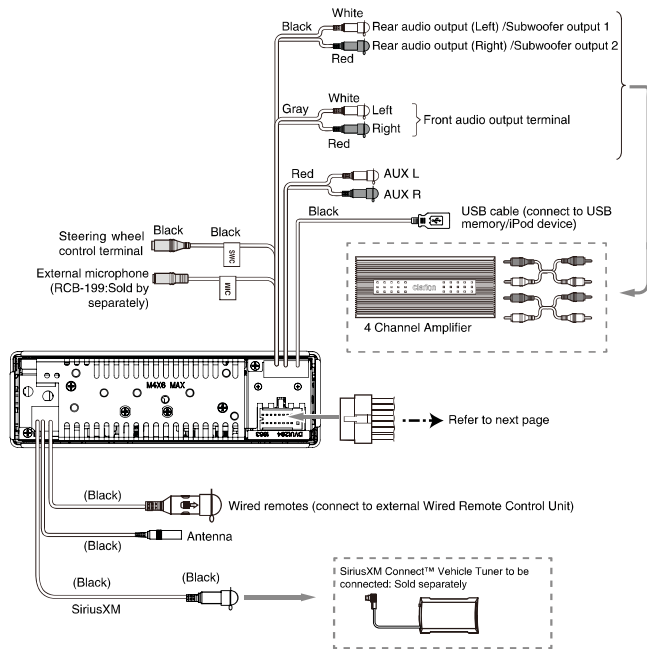


WIRING CONNECTION



8) Connecting the accessories

• Connecting to the external amplifier

External amplifiers can be connected to the 4 channel RCA output connections. Ensure that the connectors are not grounded or shorted to prevent damage to the unit.

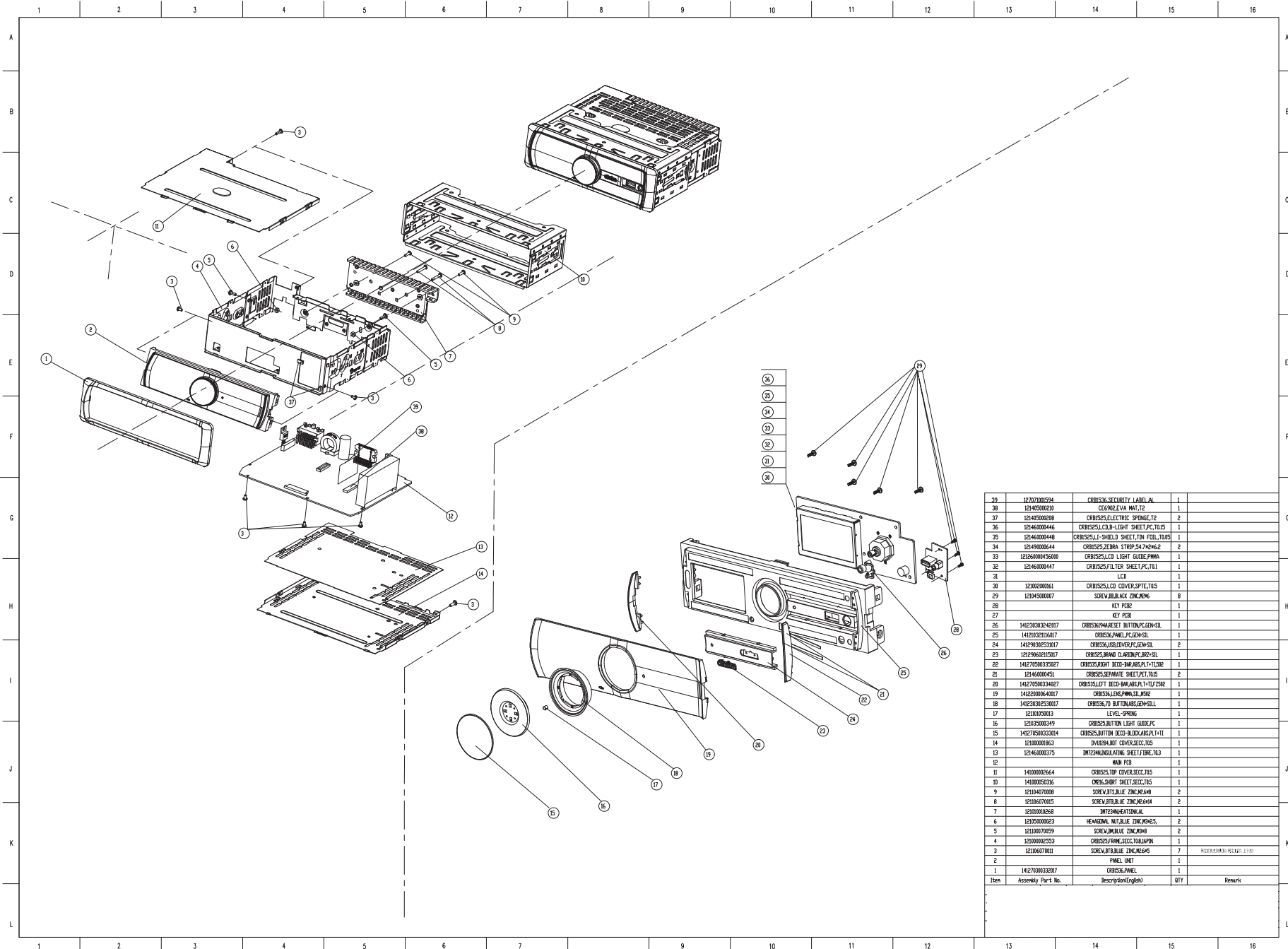
PARTS LIST

Quotation of assembly parts for M502							Updated: 19rd, MAR 2012
NO.	Clarion Model	Part NO #	Qty	MOQ	Description	Lead time(day)	Assembly parts Picture
1	9482CRB1536194A	843CRB1536MB005	1	30	CRB1536 MB MI	TBC	
2	9482CRB1536194A	143830001236	1	30	I/O,CM1511,15P,130MM	TBC	
3	9482CRB1536194A	843CRB1536KB004	1	30	CRB1536 KB MI	TBC	
4	9482CRB1536194A	141270300332017	1	30	Outer Escutcheon	TBC	
5	9482CRB1536194A	828DVU1284SS020	1	30	BOT COVER*INSULATING	TBC	
6	9482CRB1536194A	141000002664	1	30	TOP COVER	TBC	
7	9482CRB1536194A	123830001449	1	30	ANT/SIRIUSWIRED输出线	TBC	
8	9482CRB1536194A	123830001448	1	30	WIRE HARNES	TBC	
9	9482CRB1536194A	121090000327	2	200	L-KEY	TBC	
10	9482CRB1536194A	843CRB1536RMT003	1	30	REMOTE CONTROL	TBC	

Package Contents

Source unit	1
Trim ring	1
Mounting bracket	1
Screws M5x6 mm	4
L-key	2
Wire connector	1
Owner's manual	1
Warranty card	1
Remote control (with battery)	1
M4 NUT	1
Washer	2
Support Strap	1

EXPLODED VIEW / PARTS LIST



29	12707000294	CRBS26 SECURITY LABEL	1	
30	12146000070	CEX902 EVA MAT12	1	
37	12149000208	CRBS25 ELECTRIC SPONGE T2	2	
36	12146000446	CRBS25 LCD B-LIGHT SHEET PC T015	1	
25	12146000448	CRBS25 L-SHIELD SHEET 17IN F01L T015	1	
34	12149000044	CRBS25 ZEBRA STRIP 54.7x24x6.2	2	
33	1212600045600	CRBS25 LCD LIGHT GUIDE P99A	1	
32	12146000447	CRBS25 FILTER SHEET PC T81	1	
31		LED	1	
30	12108000661	CRBS25 LCD COVER SP1E T05	1	
29	12104500007	SCREW BLACK ZINC MO6	8	
28		KEY PCB	1	
27		KEY PCB	1	
26	141230303242017	CRBS26 POWER SET BUTTON PC GEN 3SL	1	
25	141230303106107	CRBS26 POWER SET SW 3SL	1	
24	141230303250107	CRBS26 LED POWER SET SW 3SL	2	
23	121296402150107	CRBS25 BRND CLAMP PC 302-01L	1	
22	141272500335027	CRBS25 RIGHT BECD-BWARS PL1-T1502	1	
21	12146000451	CRBS25 SEPARATE SHEET PET T015	2	
20	141272500334107	CRBS25 LEFT BECD-BWARS PL1-T1502	1	
19	141220000640017	CRBS26 LENS P99A 3SL MSK2	1	
18	141230303201017	CRBS26 70 BUTTONS GEN 3-SL	1	
17	12110100013	LEVEL SPRING	1	
16	12105500049	CRBS25 BUTTON LIGHT GUIDE PC	1	
15	141272500333014	CRBS25 BUTTON BECD-BL00ARS PL1-F11	1	
14	12100000863	INVO284 BOT COVER SEC2 T05	1	
13	121460000375	INT284 INSULATING SHEET FIBRE T03	1	
12		MAIN PCB	1	
11	141000002664	CRBS25 TOP COVER SEC2 T05	1	
10	141000002616	CRBS25 SHFT SHEET SEC2 T05	1	
9	12104670008	SCREW BT BLUE ZINC MO6	2	
8	12104670015	SCREW BT BLUE ZINC MO6 A04	1	
7	12100000268	INT284 MECHANICAL	1	
6	12105000023	HEXAGON NUT BLUE ZINC MO6 S	2	
5	12100007059	SCREW BK BLUE ZINC MO6	2	
4	121000002933	CRBS25 FRAME SEC2 T81 B APN	1	
3	12110670011	SCREW BT BLUE ZINC MO6 S	7	REORDER NO: REK01.17.01
2		PANEL NET	1	
1	1412703032207	CRBS26 PANEL	1	
Item	Assembly Part No.	Description (English)	QTY	Remark