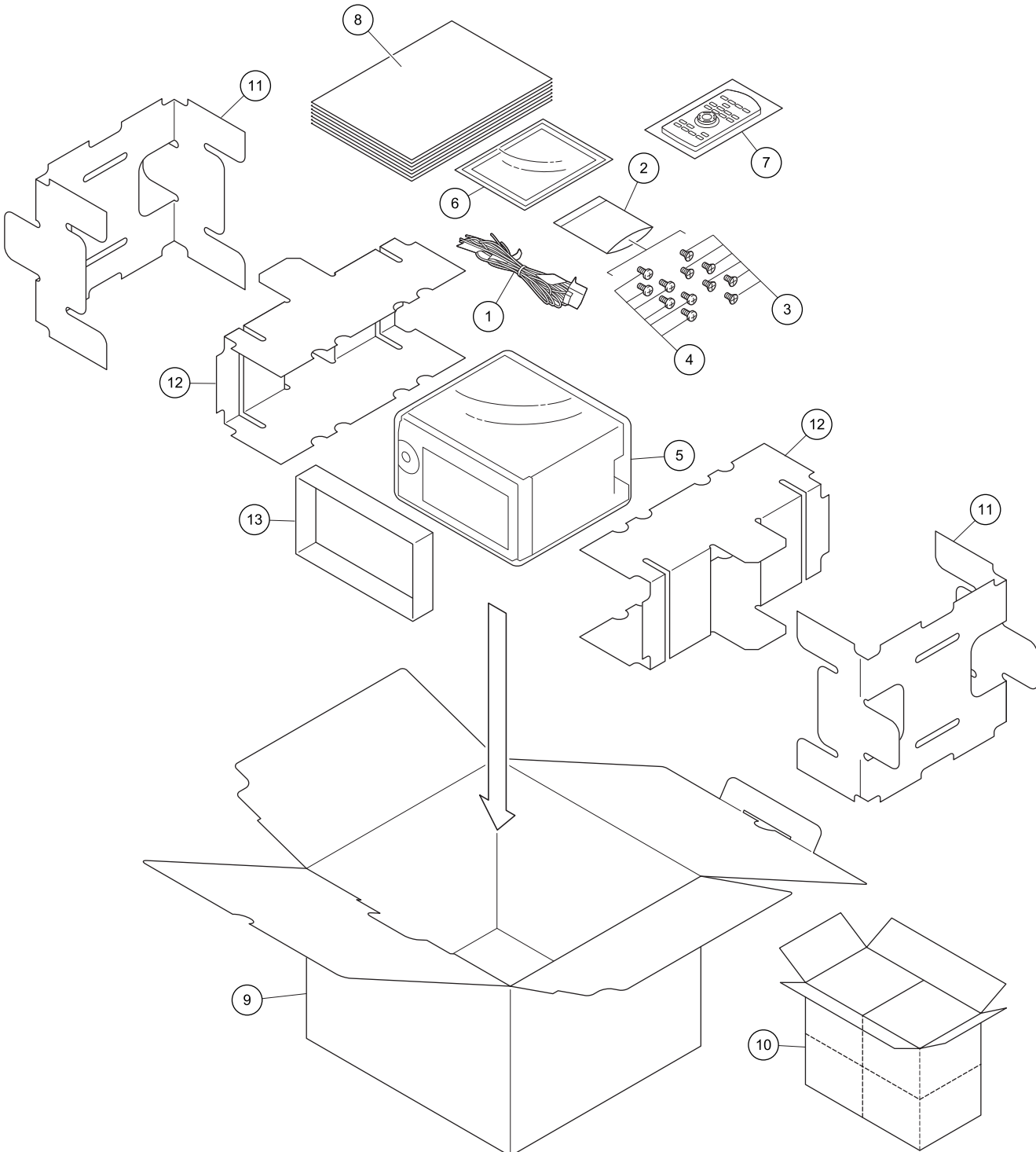


9. EXPLODED VIEWS AND PARTS LIST

NOTES : • Parts marked by " * " are generally unavailable because they are not in our Master Spare Parts List.
• The ⚠ mark found on some component parts indicates the importance of the safety factor of the part. Therefore, when replacing, be sure to use parts of identical designation.
• Screw adjacent to ▽ mark on the product are used for disassembly.
• For the applying amount of lubricants or glue, follow the instructions in this manual.
(In the case of no amount instructions, apply as you think it appropriate.)

9.1 PACKING (1) (AVH-P1400DVD/XUUC)



1 2 3 4

9.2 PACKING (2)

A

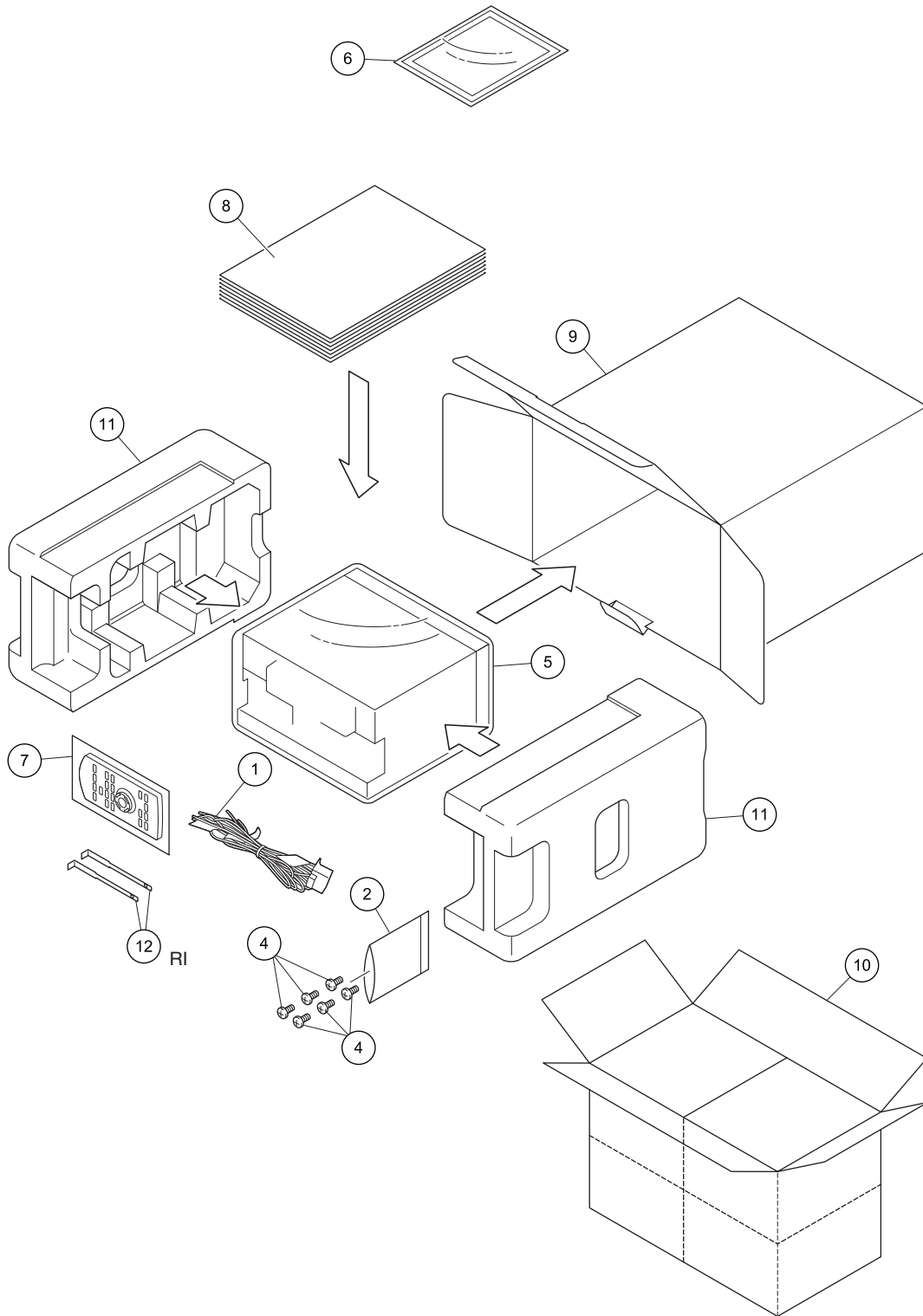
B

C

D

E

F



PACKING (2) SECTION PARTS LIST

<u>Mark No.</u>	<u>Description</u>	<u>Part No.</u>	<u>Mark No.</u>	<u>Description</u>	<u>Part No.</u>
1	Cord Assy	CDP1435	8-3	Owner's Manual	See Contrast table (2)
* 2	Polyethylene Bag	CEG1160			
3		* 8-4	Warranty Card	See Contrast table (2)
4	Screw	TRZ50P080FTC	* 8-5	Service Network	See Contrast table (2)
5	Cover	CEG1356	9	Unit Box	See Contrast table (2)
			10	Contain Box	See Contrast table (2)
6	Panel	CNS9475	11	Protector	See Contrast table (2)
7	Card Remote Control Unit	CXE5116			
8-1	Owner's Manual	See Contrast table (2)	12	Handle	See Contrast table (2)
8-2	Owner's Manual	See Contrast table (2)			

(2) CONTRAST TABLE

AVH-1450DVD/XMRC, AVH-1450DVD/XURD, AVH-1450DVD/XMRI and AVH-1490DVD/XMID are constructed the same except for the following:

Mark	No.	Description	AVH-1450DVD/ XMRC	AVH-1450DVD/ XURD	AVH-1450DVD/ XMRI	AVH-1490DVD/ XMID
	8-1	Owner's Manual	CRB3733	CRB3733	CRB3733	CRB3743
	8-2	Owner's Manual	CRB3734	CRB3736	CRB3738	Not used
	8-3	Owner's Manual	Not used	CRB3737	CRB3739	Not used
*	8-4	Warranty Card	Not used	Not used	Not used	CRY1304
*	8-5	Service Network	Not used	Not used	Not used	CRY1305
	9	Unit Box	CHG7894	CHG7869	CHG7897	CHG7895
	10	Contain Box	CHL7894	CHL7869	CHL7897	CHL7895
	11	Protector	CHP3952	CHP3952	CHP3690	CHP3952
	12	Handle	Not used	Not used	CND6289	Not used

Owner's Manual, Installation Manual

Part No.	Language
CRB3733	English
CRB3734	Traditional Chinese
CRB3736	Spanish(Espanol)
CRB3737	Portuguese(B)
CRB3738	Arabic
CRB3739	Persian
CRB3743	English

1 2 3 4

9.3 EXTERIOR (1)

A

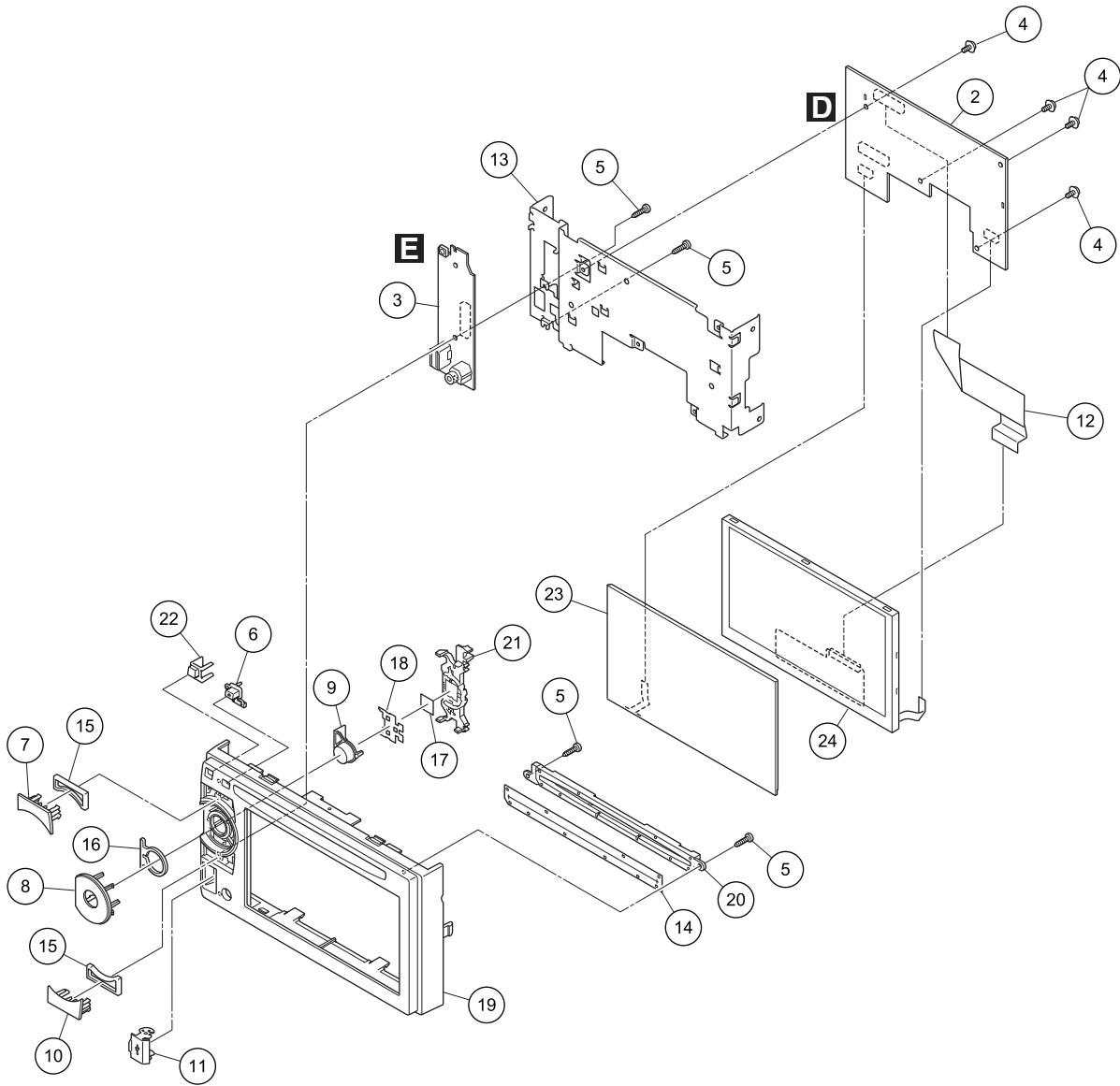
B

C

D

E

F



EXTERIOR (1) SECTION PARTS LIST

<u>Mark No.</u>	<u>Description</u>	<u>Part No.</u>	
1		
2	Service Unit (Monitor)(Others)	CXX4177	A
	Service Unit (Monitor)/(RC)	CXX4551	
3	Service Unit (Keyboard)	CXX4180	
4	Screw	AMZ20P030FTC	
5	Screw	BPZ20P080FTC	
6	Button (EJECT)	CAI3614	
7	Button (TRK UP/DOWN)	CAI3615	
8	Button (SRC, OFF, +, -)	CAI3616	
9	Button (HOME)	CAI3617	
10	Button (MUTE, MODE)	CAI3618	B
11	Door (USB)	CAT2927	
12	FFC	CDE9472	
13	Holder	CND6219	
14	Cover	CNN2628	
15	Cushion	CNN3878	
16	Cushion	CNN3879	
17	Sheet	CNN3944	
18	Sheet	CNN4037	
19	Grille		C
	AVH-P1400DVD/XUUC	CNU1749	
	AVH-1450DVD/XMRC	CNU1750	
	AVH-1450DVD/XURD	CNU1750	
	AVH-1450DVD/XMRI	CNU1750	
	AVH-1490DVD/XMID	CNU1751	
20	Holder	CNW1775	
21	Lighting Conductor	CNW2314	
22	Lighting Conductor	CNW2315	
23	Touch Panel	CSX1169	D
24	LCD	CWX3868	

9.4 EXTERIOR (2)

1

2

3

4

A

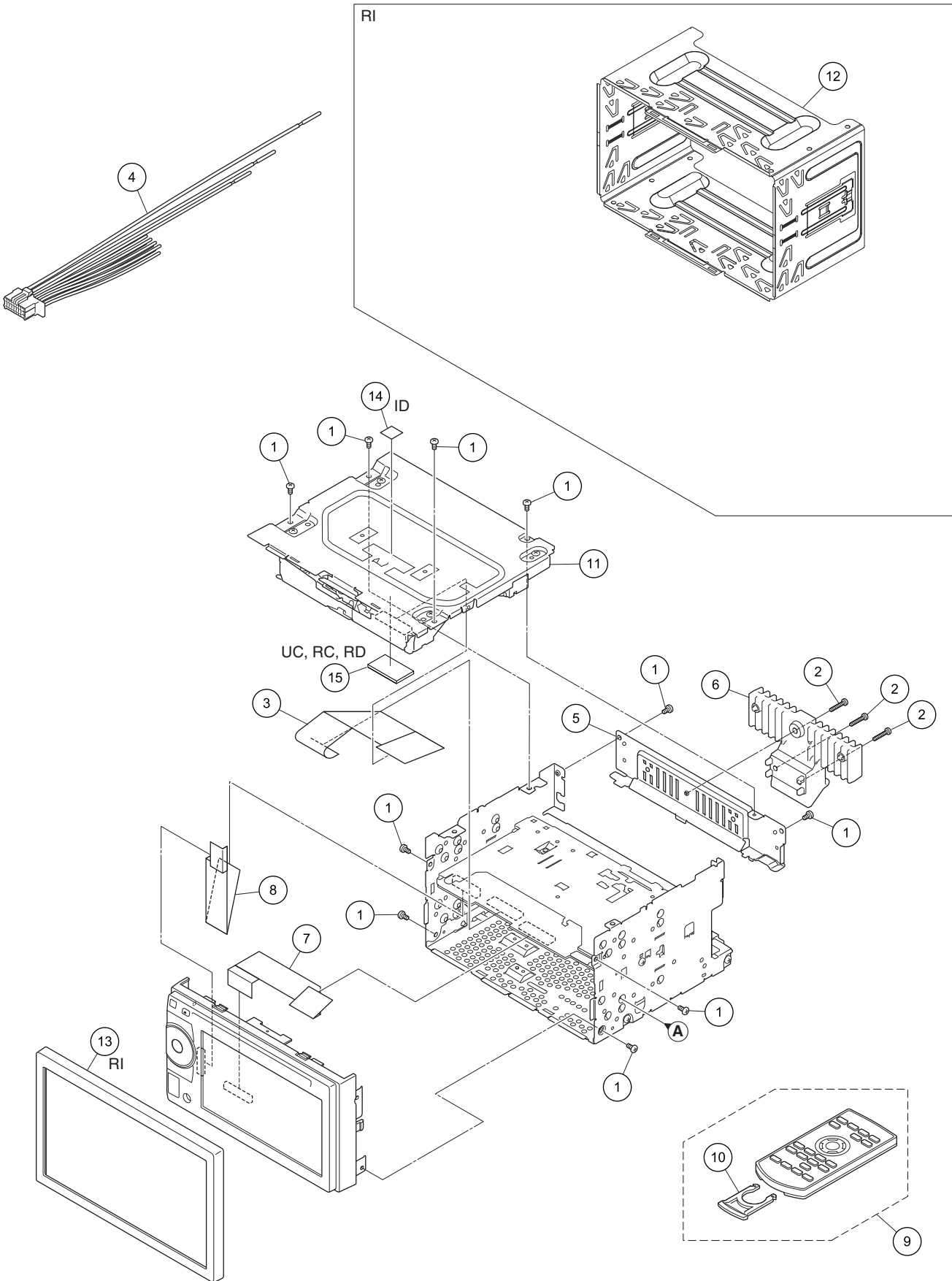
B

C

D

E

F



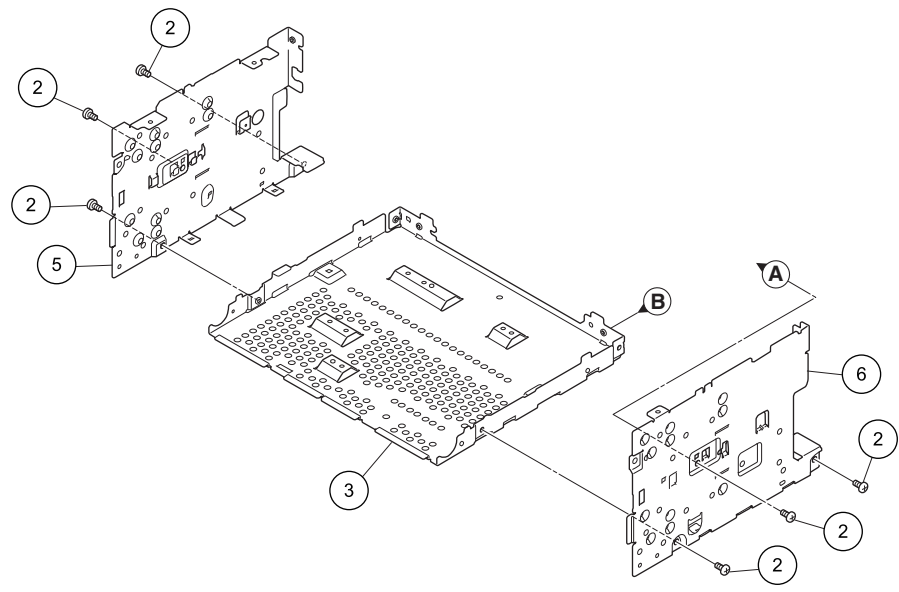
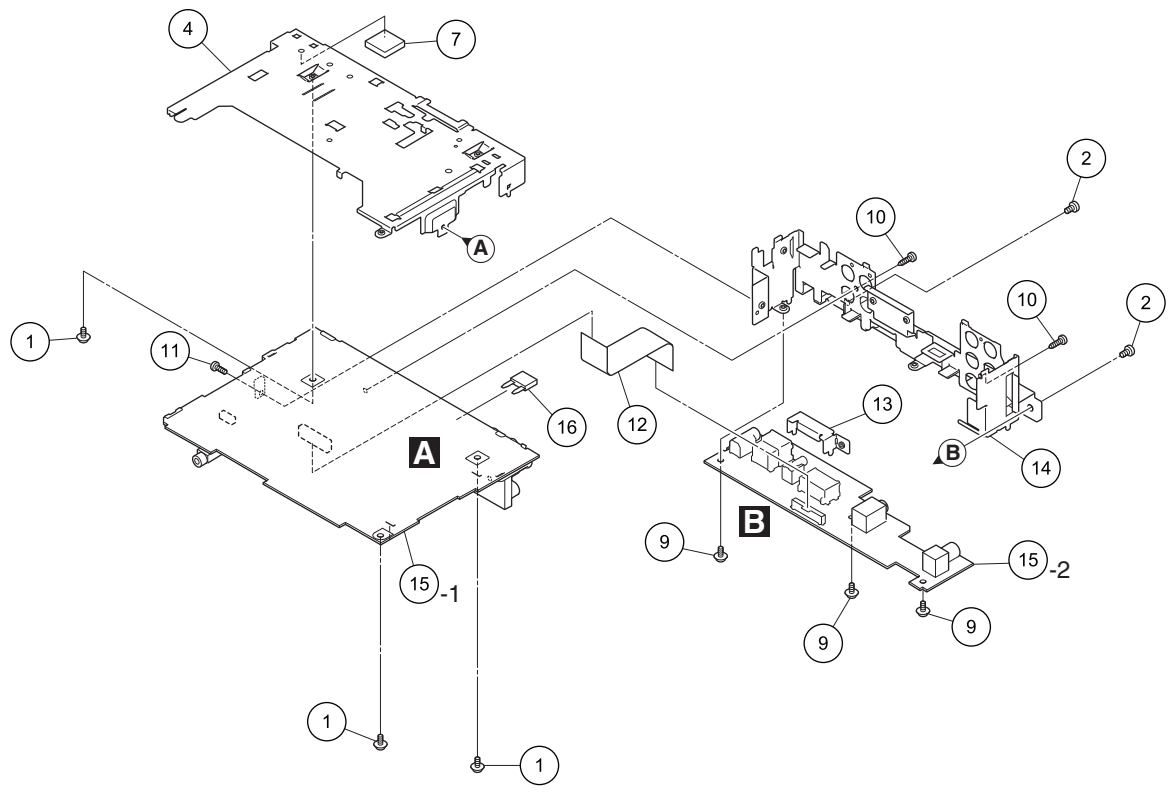
1

2

3

4

9.5 EXTERIOR (3)



EXTERIOR (3) SECTION PARTS LIST

<u>Mark No.</u>	<u>Description</u>	<u>Part No.</u>	<u>Mark No.</u>	<u>Description</u>	<u>Part No.</u>
1	Screw	ASZ26P050FTC	10	Screw	BPZ26P080FTC
2	Screw	BSZ26P050FTC	11	Screw	BSZ26P080FTC
3	Chassis	CNA3210	12	FFC	CDE9546
4	Holder	CND6247	13	Holder	CND4814
5	Bracket	CND6248	14	Holder	See Contrast table (2)
6	Bracket	CND6336	15	Service Unit (Mother I/F)	See Contrast table (2)
7	Sheet	CNN3994			
8		⚠	16 Fuse (10 A)	YEK5001
9	Screw	ASZ26P050FTC			

(2) CONTRAST TABLE

AVH-P1400DVD/XUUC, AVH-1450DVD/XMRC, AVH-1450DVD/XURD, AVH-1450DVD/XMRI and AVH-1490DVD/XMID are constructed the same except for the following:

Mark	No.	Description	AVH-P1400DVD/ XUUC	AVH-1450DVD/ XMRC	AVH-1450DVD/ XURD	AVH-1450DVD/ XMRI	AVH-1490DVD/ XMID
	14	Holder	CND6319	CND6318	CND6318	CND6318	CND6318
	15	Service Unit (Mother I/F)	CXX4149	CXX4150	CXX4151	CXX4152	CXX4153

9.6 DVD MECHANISM MODULE (1)

A

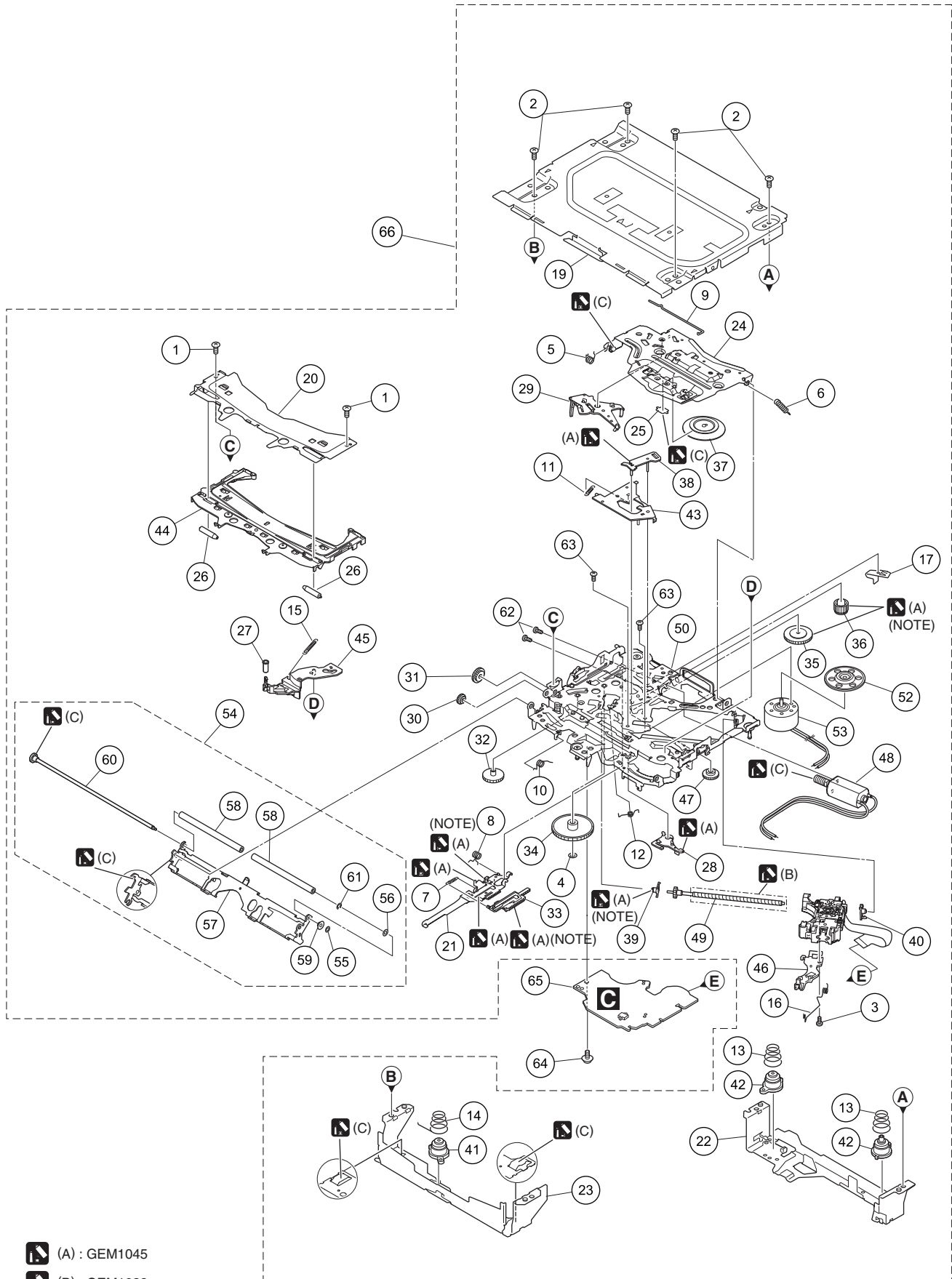
B

C

D

E

F

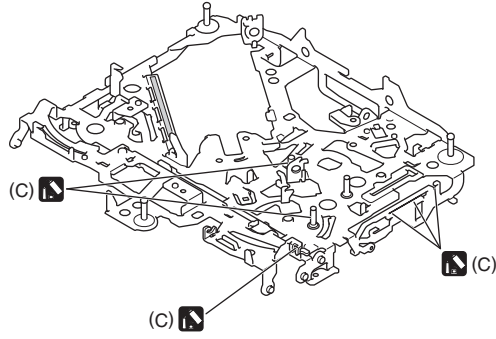


- (A) : GEM1045
- (B) : GEM1038
- (C) : GEM1024

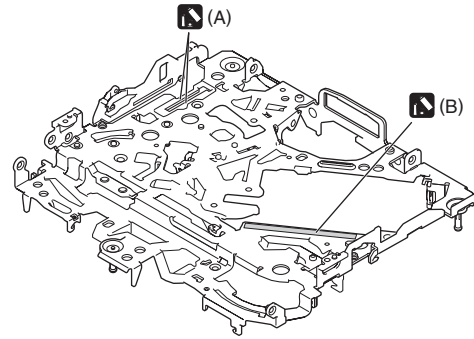
(NOTE) Apply grease to the whole part.

9.7 DVD MECHANISM MODULE (2)

A



B






C

D

E

F

-  (A) : GEM1045
-  (B) : GEM1038
-  (C) : GEM1024

12. ELECTRICAL PARTS LIST

NOTE:

- Parts whose parts numbers are omitted are subject to being not supplied.
- The part numbers shown below indicate chip components.

Chip Resistor

RS1/○S○○○○J,RS1/○○S○○○○J

Chip Capacitor (except for CQS.....)

CKS....., CCS....., CSZS.....

- The \triangle mark found on some component parts indicates the importance of the safety factor of the part. Therefore, when replacing, be sure to use parts of identical designation.
- Meaning of the figures and others in the parentheses in the parts list.

Example) IC 301 is on the point (face A, 91 of x-axis, and 111 of y-axis) of the corresponding PC board.

IC 301 (A, 91, 111) IC NJM2068V

- The expression of the unit in this manual is shown by u instead of μ . Please do not make a mistake.

<u>Circuit Symbol and No.</u>	<u>Part No.</u>	<u>Circuit Symbol and No.</u>	<u>Part No.</u>
A:AVH-P1400DVD/XUUC		Unit Number : CXX4153(E)	
B:AVH-1450DVD/XMRC		Unit Name : Service Unit(Mother I/F)	

C:AVH-1450DVD/XURD

MISCELLANEOUS

D:AVH-1450DVD/XMRI

IC 101	(A,97,122) IC	PA2030A
IC 201	(B,100,77) IC	PML020A
IC 251	(B,100,42) IC	AK4223VQ
IC 531	(A,71,61) IC(A)	HA12241FP
IC 601	(B,68,35) IC	S-80829CNMC-B80

E:AVH-1490DVD/XMID

IC 602	(A,42,45) IC(A)	PE5795A8
	(A,42,45) IC(B,C,D,E)	PE5796A8
IC 751	(A,77,76) IC	341S2162
IC 801	(B,62,70) IC	S-812C33AUA-C2N
IC 802	(A,166,80) IC	NJM2388F84
IC 901	(B,23,77) IC	NJM2886DL3-05

Unit Number : CXX4149(A)

Unit Number : CXX4150(B)

Unit Number : CXX4151(C)

Unit Number : CXX4152(D)

Unit Number : CXX4153(E)

Unit Name : Service Unit(Mother I/F)

Unit Number : YWX5032

Unit Name : DVD Core Unit

Unit Number : CXX4177(A)(C)(D)(E)

Unit Number : CXX4551(B)

Unit Name : Service Unit(Monitor)

Unit Number : CXX4180

Unit Name : Service Unit(Keyboard)

IC 951	(B,143,66) IC	AN33012UA
IC 1401	(A,39,88) IC	TDA7706
IC 1851	(B,159,97) IC	OZ529IGN
Q 121	(B,52,80) Chip Transistor	HN1C01FU
Q 122	(B,52,77) Transistor	DRC9A14E0
Q 123	(B,51,70) Chip Transistor	HN1A01FU
Q 125	(B,46,72) Transistor	DRC9A14E0
Q 162	(B,108,100) Chip Transistor	RN4983
Q 163	(A,113,113) Chip Transistor	RN1903
Q 164	(B,105,100) Chip Transistor	RN4982
Q 301	(B,58,21) Transistor	UMF5N
Q 302	(B,58,17) Transistor	UMF5N
Q 303	(B,59,14) Chip Transistor	HN1C03FU
Q 401	(B,90,20) Chip Transistor	2SD2114K
Q 404	(B,93,23) Transistor	RN4984
Q 405	(B,93,16) Transistor	RN4984

Service Unit(Mother I/F)

Consists of

Mother PCB

IF PCB

AB

Unit Number : CXX4149(A)

Unit Number : CXX4150(B)

Unit Number : CXX4151(C)

Unit Number : CXX4152(D)

Q 451	(B,90,97) Transistor	UMF23N
Q 501	(A,36,113) Chip Transistor	HN1C01FU
Q 502	(A,43,113) Chip Transistor	HN1C01FU
Q 503	(A,26,113) Chip Transistor	HN1C01FU
Q 603	(A,82,54) Transistor	LSCR523UB
Q 701	(B,87,30) Chip Transistor	HN1C01FU
Q 702	(B,93,31) Chip Transistor	RN4982
Q 801	(B,68,77) Transistor	2SB1184F5
Q 802	(A,83,90) Transistor	2SD1664

	5		6		7		8
	<u>Circuit Symbol and No.</u>		<u>Part No.</u>		<u>Circuit Symbol and No.</u>		<u>Part No.</u>
Q 803	(B,67,70)	Chip Transistor	RN4986				
Q 951	(A,157,54)	Power MOS FET	SFT1342				
Q 952	(A,136,83)	Power MOS FET	SFT1342				
D 101	(B,67,103)	Diode	CRG03				
D 102	(B,67,101)	Diode	CRG03				
D 121	(B,54,86)	Diode	HZU7L(A1)				
D 122	(B,61,83)	Diode	DA2J101				
D 123	(B,49,67)	Diode	DAN202UM				
D 125	(B,57,85)	Diode	HZU7L(C3)				
D 126	(B,49,76)	Diode	DZ2J056M0				
D 127	(B,53,74)	Diode	DAN202UM				
D 128	(B,61,122)	Diode	1SR154-400				
D 129	(B,64,122)	Diode	1SR154-400				
D 164	(A,106,104)	Diode	DA2J101				
D 301	(B,54,11)	Diode	DA2J101				
D 401	(B,95,28)	Diode	DZ2J039M0				
D 532	(B,126,111)	Diode	DZ2S068C				
D 533	(B,138,111)	Diode	DZ2S068C				
D 534	(A,135,114)	Diode	DZ2S068C				
D 601	(B,69,31)	Diode	DA2J101				
D 602	(B,45,30)	Diode	RB751V-40				
D 603	(B,45,24)	Diode	RB501V-40				
D 802	(A,84,87)	Diode	DZ2J180M0				
D 803	(A,89,90)	Diode	1SR154-400				
D 902	(B,29,70)	Diode	CRG03				
D 951	(A,152,53)	Diode	RB056L-40				
D 952	(A,138,77)	Diode	RB056L-40				
D 953	(B,146,87)	Diode	RSX201L-30				
D 954	(B,150,87)	Diode	RSX201L-30				
D 1401	(A,23,95)	Diode	RN731V				
D 1402	(A,29,95)	Diode	RN731V				
D 1460	(A,18,94)	Diode	EZAEG2A50AX				
D 1851	(B,152,104)	Diode	DB2X41400				
D 1852	(A,125,110)	Diode	RSX201L-30				
D 2509	(A,126,40)	Diode	DZ2S068C				
D 2510	(A,126,38)	Diode	DZ2S068C				
D 2511	(A,119,40)	Diode	DZ2S068C				
D 2512	(A,117,40)	Diode	DZ2S068C				
L 124	(A,63,93)	Choke Coil 600 uH	CTH1221				
L 571	(B,125,18)	Inductor	CTF1713				
L 601	(A,58,55)	Inductor	CTF1787				
L 602	(A,58,39)	Inductor	CTF1787				
L 603	(A,41,28)	Inductor	CTF1787				
L 604	(A,40,61)	Inductor	CTF1787				
L 605	(A,27,36)	Inductor	CTF1787				
L 951	(A,145,50)	Inductor	CTH1253				
L 952	(A,134,70)	Inductor	CTH1253				
L 953	(A,153,79)	Choke Coil 10 uH	CTH1486				
L 1404	(A,26,95)	Chip Coil	LCTAWR15J2520				
L 1405	(A,26,91)	Chip Coil	LCTAWR27J2520				
L 1406	(A,25,88)	Inductor	CTF1786				
L 1407	(A,27,84)	Inductor	CTF1786				
L 1408	(A,22,84)	Inductor	CTF1389				
L 1409	(A,29,92)	Inductor	CTF1794				
L 1410	(A,27,79)	Inductor	LCTAW220J2520				
L 1411	(A,30,78)	Inductor(A,C)	LCYB68NJ1005				
L 1412	(A,35,97)	Inductor	CTF1786				
L 1413	(A,35,98)	Inductor	CTF1786				
L 1414	(A,38,76)	Chip Coil	LCTAW470J2520				
L 1415	(A,41,79)	Inductor	CTF1786				

L 1416	(A,46,84)	Inductor	CTF1786
L 1417	(A,49,90)	Inductor	CTF1786
L 1420	(A,45,96)	Inductor	CTF1786
L 1851	(A,152,106)	Inductor	CTH1527
L 1852	(B,155,101)	Inductor	CTF1793
X 601	(A,62,43)	Oscillator 3.932 16 MHz	CSS1772
X 1401	(A,43,100)	Oscillator 36.48 MHz	CSS1805
P 451	(B,92,55)	Poly Switch	MINISMDC075F/24-2
P 501	(B,27,111)	Poly Switch	MINISMDC075F/24-2
P 533	(B,129,109)	Poly Switch	MINISMDC075F/24-2
△ P902	(A,128,63)	Fuse 1 A	CEK1381
P 1401	(A,18,96)	Surge Absorber	IMSA-6803-01Y900
△ P1821	(B,107,12)	Fuse 2.5 A	CEK1385
△ P1822	(B,155,11)	Fuse 1.5 A	CEK1383
△ P1951	(B,135,45)	Fuse 1.25 A	CEK1382
△ P1971	(B,80,22)	Fuse 1.5 A	CEK1383
BZ2501	(A,53,37)	Buzzer	CPV1062
CN301	(A,70,11)	Connector	CKS6297
CN341	(A,154,14)	Connector	VKN1612
CN451	(A,99,54)	Connector	CKS6051
CN701	(A,111,14)	Connector	CKS6025
CN2501	(A,98,45)	Connector	CKS6051
CN2502	(A,109,26)	Connector	CKS4497
JA121	(A,63,118)	Plug	CKM1376
JA501	(A,35,121)	Pin Jack	XKB7001
JA531	(A,129,121)	RCA Jack	CKB1102
JA1401	(A,14,112)	Antenna Jack	YKS5041
JA2502	(A,13,34)	Pin Jack	CKB1065
JA2504	(A,166,28)	Connector	CKS4124
JA2505	(A,149,23)	Connector(A)	CKS5271

RESISTORS

R 123	(B,53,83)	RS1/16SS103J
R 124	(B,49,70)	RS1/16SS473J
R 125	(B,51,73)	RS1/16SS223J
R 126	(B,52,84)	RS1/16SS473J
R 127	(B,60,82)	RS1/16SS103J
R 128	(B,51,68)	RS1/16SS473J
R 129	(B,53,87)	RS1/16SS472J
R 130	(B,53,72)	RS1/16SS473J
R 131	(B,55,69)	RS1/16SS103J
R 135	(B,54,82)	RS1/16SS104J
R 136	(B,47,71)	RS1/16SS104J
R 137	(B,56,84)	RS1/16SS473J
R 138	(B,47,70)	RS1/16SS102J
R 139	(B,55,76)	RS1/16SS103J
R 140	(B,56,74)	RS1/16SS153J
R 142	(B,51,91)	RS1/4SA102J
R 143	(B,59,100)	RS1/4SA102J
R 144	(B,59,102)	RS1/4SA102J
R 152	(B,53,70)	RS1/16SS102J
R 200	(A,107,102)	RS1/16SS102J
R 201	(A,117,76)	RS1/16SS0R0J
R 202	(A,114,76)	RS1/16SS0R0J
R 204	(B,107,67)	RS1/16SS272J
R 205	(B,105,68)	RS1/16SS272J
R 210	(B,107,68)	RS1/16SS562J
R 214	(B,104,91)	RS1/16SS0R0J

1

2

3

4

Circuit Symbol and No.**Part No.****Circuit Symbol and No.****Part No.**

R 215	(B,96,91)	RS1/16SS0R0J	R 601	(A,44,61)	RS1/16SS103J
R 217	(B,101,91)	RS1/16SS0R0J	R 602	(B,58,33)	RS1/16SS472J
R 218	(B,99,91)	RS1/16SS0R0J	R 605	(A,47,61)	RS1/16SS104J
R 223	(B,93,70)	RS1/16SS473J	R 607	(A,45,61)	RS1/16SS103J
R 224	(A,117,112)	RS1/16SS683J	R 611	(B,46,62)	RS1/16SS102J
R 225	(B,107,97)	RS1/16SS103J	R 612	(B,51,49)	RS1/16SS473J
R 226	(A,115,116)	RS1/16SS152J	R 619	(B,69,32)	RS1/16SS104J
R 227	(A,115,111)	RS1/16SS683J	R 621	(A,70,53)	RS1/16SS102J
R 228	(A,114,117)	RS1/16SS101J	R 623	(A,57,41)	RS1/16SS100J
R 229	(B,105,102)	RS1/16SS473J	R 624	(A,37,60)	RS1/16SS104J
R 230	(A,98,76)	RS1/16SS0R0J	R 631	(A,58,37)	RS1/16SS104J
R 251	(B,110,44)	RAB4CQ101J	R 632	(B,32,32)	RS1/16SS104J
R 252	(B,110,41)	RAB4CQ101J	R 635	(A,60,61)	RS1/16SS473J
R 254	(B,107,38)	RS1/16SS75R0F	R 637	(B,26,33) (B,C,D,E)	RS1/16SS473J
R 255	(B,104,34)	RS1/16SS75R0F	R 638	(A,85,54)	RS1/16SS473J
R 258	(B,87,48)	RAB4CQ101J	R 639	(A,70,52)	RS1/16SS471J
R 259	(B,87,42)	RAB4CQ101J	R 640	(A,76,55)	RS1/16SS471J
R 260	(B,87,36)	RAB4CQ101J	R 641	(B,46,39)	RS1/16SS102J
R 301	(B,56,22)	RS1/16SS103J	R 642	(A,66,48)	RS1/16SS473J
R 302	(B,55,18)	RS1/16SS103J	R 643	(A,62,55) (A)	RS1/16SS472J
R 303	(B,55,21)	RS1/16SS103J	R 644	(B,52,51)	RS1/16SS472J
R 304	(B,55,16)	RS1/16SS103J	R 645	(B,51,54)	RS1/16SS472J
R 305	(B,61,20)	RS1/16SS105J	R 646	(B,54,35)	RS1/16SS101J
R 306	(B,63,15)	RS1/16SS105J	R 647	(B,52,58)	RS1/16SS473J
R 308	(B,71,12)	RS1/16SS102J	R 649	(B,62,25)	RS1/16SS472J
R 309	(B,71,13)	RS1/16SS102J	R 650	(B,49,37)	RS1/16SS472J
R 316	(B,57,13)	RS1/16SS222J	R 651	(B,52,32)	RS1/16SS471J
R 317	(B,62,14)	RS1/16SS222J	R 652	(B,52,25)	RS1/16SS471J
R 401	(B,87,21)	RS1/16SS103J	R 653	(A,57,59)	RS1/16SS473J
R 404	(B,97,35)	RS1/16SS122J	R 655	(B,57,60)	RS1/16SS473J
R 408	(B,91,26)	RS1/16SS152J	R 656	(B,57,61)	RS1/16SS473J
R 451	(B,91,95)	RS1/10SR222J	R 657	(B,48,49)	RS1/16SS221J
R 452	(B,92,96)	RS1/16SS562J	R 658	(B,47,24)	RS1/16SS101J
R 453	(B,92,98)	RS1/16SS332J	R 659	(B,38,50)	RS1/16SS221J
R 501	(B,44,111)	RS1/16SS821J	R 660	(B,39,50)	RS1/16SS221J
R 502	(A,45,113)	RS1/16SS223J	R 661	(A,57,32)	RS1/16SS102J
R 503	(A,35,111)	RS1/16SS472J	R 662	(B,44,31)	RS1/16SS103J
R 504	(A,32,112)	RS1/16SS223J	R 663	(B,43,24)	RS1/16SS104J
R 505	(A,33,112)	RS1/16SS472J	R 665	(B,27,27)	RS1/16SS473J
R 506	(B,33,109)	RS1/16SS821J	R 666	(B,26,29) (C,D)	RS1/16SS473J
R 507	(B,42,111)	RS1/16SS821J	R 667	(B,27,29) (B,E)	RS1/16SS473J
R 508	(A,40,114)	RS1/16SS223J	R 668	(B,26,31) (B,D)	RS1/16SS473J
R 509	(A,41,112)	RS1/16SS472J	R 669	(B,27,31) (C,E)	RS1/16SS473J
R 510	(A,43,111)	RS1/16SS472J	R 670	(B,26,25) (C,E)	RS1/16SS473J
R 511	(A,29,113)	RS1/16SS223J	R 671	(B,27,25) (B,D)	RS1/16SS473J
R 512	(B,33,107)	RS1/16SS821J	R 673	(A,42,61)	RS1/16SS103J
R 513	(B,40,111)	RS1/16SS821J	R 674	(B,42,58)	RS1/16SS221J
R 514	(A,38,113)	RS1/16SS223J	R 675	(B,41,57)	RS1/16SS103J
R 515	(A,26,111)	RS1/16SS472J	R 676	(B,42,57)	RS1/16SS221J
R 516	(A,24,112)	RS1/16SS472J	R 677	(B,40,36)	RS1/16SS473J
R 517	(A,24,114)	RS1/16SS223J	R 678	(A,33,60)	RS1/16SS473J
R 518	(B,33,106)	RS1/16SS821J	R 682	(B,46,47)	RS1/16SS473J
R 531	(A,76,59) (A)	RS1/16SS101J	R 684	(B,34,59)	RS1/16SS104J
R 532	(A,76,60) (A)	RS1/16SS101J	R 685	(A,34,60)	RS1/16SS222J
R 533	(A,76,62) (A)	RS1/16SS102J	R 686	(B,31,32)	RS1/16SS104J
R 535	(B,133,108)	RS1/16SS750J	R 687	(B,36,26)	RS1/16SS473J
R 536	(B,139,110)	RS1/16SS223J	R 688	(B,35,45)	RS1/16SS473J
R 537	(B,125,109)	RS1/16SS223J	R 689	(B,37,48)	RS1/16SS471J
R 579	(A,156,18)	RS1/16SS0R0J	R 692	(B,52,48)	RS1/16SS104J
R 580	(A,155,18)	RS1/16SS0R0J	R 702	(A,105,21)	RS1/16SS102J
			R 703	(A,103,22)	RS1/16SS471J

1

2

3

4

5
Circuit Symbol and No.

6
Part No.

7
Circuit Symbol and No.

8
Part No.

R 704	(A,107,21)	RAB4CQ221J
R 711	(B,92,33)	RS1/16SS472J
R 712	(B,90,30)	RS1/16SS472J
R 713	(B,96,32)	RS1/16SS102J
R 752	(A,70,78)	RS1/16SS103J
R 753	(A,75,73)	RS1/16SS103J
R 754	(A,68,77)	RS1/16SS103J
R 755	(B,77,74)	RS1/16SS102J
R 756	(A,80,73)	RS1/16SS101J
R 757	(A,81,76)	RS1/16SS101J
R 801	(B,68,83)	RS1/16SS391J
R 802	(A,87,86)	RS1/10SR2R2J
R 803	(A,85,84)	RS1/10SR2R2J
R 804	(A,89,86)	RS1/10SR2R2J
R 805	(A,88,83)	RS1/10SR2R2J
R 806	(A,87,89)	RS1/16SS911J
R 903	(B,23,67)	RS1/16SS0R0J
R 952	(B,140,76)	RS1/16SS561J
R 953	(B,142,75)	RS1/16SS3302D
R 954	(B,140,74)	RS1/16SS4301D
R 955	(B,139,74)	RS1/16SS3601D
R 957	(B,143,74)	RS1/16SS123J
R 958	(B,138,58)	RS1/16SS103J
R 960	(B,148,59) 0.011 ohm	CCN1341
R 961	(B,137,60)	RS1/16SS204J
R 962	(B,137,58)	RS1/16SS394J
R 963	(B,151,72) 0.012 ohm	CCN1321
R 964	(B,141,71)	RS1/16SS224J
R 965	(B,143,57)	RS1/16SS153J
R 967	(B,140,57)	RS1/16SS1101D
R 968	(B,139,56)	RS1/16SS2701D
R 969	(B,141,57)	RS1/16SS2702D
R 970	(B,141,56)	RS1/16SS511J
R 1401	(A,23,97)	RS1/16SS221J
R 1402	(A,19,84)	RS1/16SS105J
R 1403	(A,31,96)	RS1/16SS751J
R 1404	(A,29,80)	RS1/16SS152J
R 1405	(A,32,79)	RS1/16SS105J
R 1406	(A,30,79) (B,D,E)	RS1/16SS0R0J
R 1407	(A,34,76)	RS1/16SS471J
R 1408	(A,35,78)	RS1/16SS330J
R 1409	(A,38,78)	RS1/16SS681J
R 1410	(A,41,98)	RS1/16SS0R0J
R 1411	(A,47,78)	RS1/4SA5R6J
R 1412	(A,44,76)	RS1/4SA5R6J
R 1413	(A,43,74)	RS1/4SA5R6J
R 1415	(B,42,81)	RS1/16SS102J
R 1426	(A,33,102)	RS1/10SR0R0J
R 1848	(A,169,107)	RS1/16SS102J
R 1849	(A,169,106)	RS1/16SS102J
R 1851	(A,159,100)	RS1/16SS3902D
R 1852	(A,159,98)	RS1/16SS1201D
R 1853	(A,162,99)	RS1/16SS1002D
R 1854	(B,156,92)	RS1/16SS104J
R 1855	(A,162,93)	RS1/16SS393J
R 1857	(A,159,93)	RS1/16SS1202D
R 1859	(A,155,93)	RS1/16SS104J
R 1860	(A,156,93)	RS1/16SS104J
R 1862	(B,166,101)	RS1/16SS102J
R 1863	(B,166,100)	RS1/16SS102J

R 1865	(A,170,105)	RS1/16SS102J
R 1866	(A,171,104)	RS1/16SS102J
R 2503	(B,27,30)	RS1/16SS750J
R 2504	(B,155,43)	RS1/10SR102J
R 2505	(B,149,44)	RS1/10SR102J
R 2514	(B,104,38)	RAB4CQ750J
R 2516	(A,123,38)	RS1/10SR102J
R 2517	(A,123,40)	RS1/10SR102J
R 2518	(A,119,37)	RS1/10SR471J
R 2519	(A,117,37)	RS1/10SR471J
R 2523	(B,136,36) (A)	RS1/16SS150J
R 2524	(B,147,36) (A)	RS1/16SS102J
R 2525	(B,151,36) (A)	RS1/16SS102J
R 2526	(B,136,41) (A)	RS1/16SS470J
R 2527	(B,146,36) (A)	RS1/16SS223J
R 2528	(B,153,36) (A)	RS1/16SS223J
R 2529	(B,144,36) (A)	RS1/16SS181J
R 2530	(B,154,36) (A)	RS1/16SS181J

CAPACITORS

C 101	(A,97,108) 0.47 uF	CCG1328
C 121	(A,98,108) 0.47 uF	CCG1328
C 122	(A,101,108) 0.47 uF	CCG1328
C 123	(A,102,108) 0.47 uF	CCG1328
C 124	(A,97,111) 0.47 uF	CCG1328
C 125	(A,98,111) 0.47 uF	CCG1328
C 126	(A,101,111) 0.47 uF	CCG1328
C 127	(A,102,111) 0.47 uF	CCG1328
C 128	(A,104,108) 2.2 uF	CCG1218
C 129	(A,95,109) 10 uF	CCG1236
C 151	(A,104,112) 2.2 uF	CCG1218
C 152	(B,77,120) 0.1 uF	CCG1321
C 153	(B,67,99)	CKSQYB104K50
C 154	(B,58,80)	CKSRYB105K10
C 158	(B,55,71)	CKSRYB104K50
C 160	(B,49,74)	CKSRYB104K50
C 162	(A,111,107)	CEVW101M16
C 163	(A,117,115) 4.7 uF	CCG1201
C 165	(B,61,79)	CKSRYB104K50
C 166	(A,77,99)	CEAT332M16
C 212	(A,111,77) 2.2 uF	CCG1218
C 213	(B,107,84)	CKSRYB105K10
C 214	(B,109,84)	CCSQCH223J50
C 215	(B,111,84)	CCSQCH223J50
C 216	(B,109,79)	CKSRYB105K10
C 218	(B,109,76) (A)	CKSRYB105K10
C 219	(B,109,74) (A)	CKSRYB105K10
C 220	(B,109,73)	CKSRYB105K10
C 221	(B,107,70)	CKSRYB105K10
C 222	(B,104,85)	CKSRYB105K10
C 223	(A,102,77) 0.1 uF	CCG1321
C 224	(B,101,69)	CKSRYB474K10
C 225	(A,104,78) 10 uF	CCG1192
C 226	(B,100,68)	CCSSCH100D50
C 227	(B,98,67) 10 uF	CCG1192
C 229	(B,99,84)	CCSSCH100D50
C 230	(B,91,82)	CKSRYB105K10
C 231	(B,90,80)	CKSRYB105K10
C 232	(B,90,78)	CKSRYB105K10

1

2

3

4

Circuit Symbol and No.**Part No.****Circuit Symbol and No.****Part No.**

C 233	(B,90,77)	CKSRYB105K10	C 604	(B,64,66) 10 000 pF	CCG1318
C 234	(B,90,74) (A)	CKSRYB105K10	C 605	(B,61,63) 0.1 uF	CCG1321
C 235	(B,91,72) (A)	CKSRYB105K10	C 606	(A,57,53)	CKSSYB104K10
C 238	(A,96,83) 10 uF	CCG1192	C 607	(A,57,34)	CKSSYB104K10
C 239	(A,95,75)	CKSSYB104K10	C 608	(A,57,39)	CKSSYB104K10
C 240	(A,103,82) 10 uF	CCG1192	C 609	(B,54,40) 4.7 uF	CCG1201
C 242	(A,99,78) 0.1 uF	CCG1321	C 610	(B,51,25)	CKSSYB104K10
C 251	(A,94,76) 10 uF	CCG1192	C 611	(B,46,35)	CKSSYB103K16
C 252	(B,107,47)	CKSSYB104K10	C 612	(A,42,30)	CKSSYB104K10
C 253	(B,107,46)	CKSSYB104K10	C 613	(A,40,60)	CKSSYB104K10
C 254	(B,107,45)	CKSSYB104K10	C 614	(A,27,38)	CKSSYB104K10
C 255	(B,107,44)	CKSSYB104K10	C 615	(B,72,59)	CKSSYB681K50
C 256	(B,107,43)	CKSSYB104K10	C 641	(B,47,43)	CKSSYB102K50
C 257	(B,107,42)	CKSSYB104K10	C 701	(A,101,21) 0.1 uF	CCG1321
C 258	(B,107,41)	CKSSYB104K10	C 702	(B,100,21) 10 uF	CCG1192
C 259	(B,108,40)	CKSSYB104K10	C 703	(B,100,19) 10 uF	CCG1192
C 260	(B,110,39)	CKSSYB104K10	C 704	(B,100,18) 10 uF	CCG1192
C 263	(B,101,32) 10 uF	CCG1192	C 705	(A,99,20) 0.1 uF	CCG1321
C 264	(B,102,33)	CKSSYB104K10	C 707	(B,102,12) 2.2 uF	CCG1322
C 265	(B,102,36)	CKSSYB104K10	C 751	(B,79,76)	CKSSYB104K10
C 266	(A,99,43) 10 uF	CCG1192	C 752	(A,68,78)	CKSSYB104K10
C 267	(B,99,48)	CKSSYB104K10	C 801	(B,67,85)	CKSSYB103K16
C 268	(A,104,41) 0.1 uF	CCG1321	C 802	(A,75,87)	CEAT102M16
C 269	(A,105,42) 10 uF	CCG1192	C 803	(A,84,85)	CKSSYB104K16
C 270	(A,102,45) 0.1 uF	CCG1321	C 804	(A,53,73) Capacitor	CEVW470M16
C 271	(A,101,46) 10 uF	CCG1192	C 805	(B,62,67)	CKSSYB104K10
C 272	(B,91,51)	CKSRYB105K10	C 807	(A,114,89)	CEVW101M16
C 273	(B,91,49)	CKSRYB105K10	C 808	(B,160,90)	CKSRYB105K16
C 274	(B,91,48)	CKSRYB105K10	C 901	(B,18,77) 10 uF	CCG1192
C 275	(B,91,46)	CKSRYB105K10	C 902	(B,24,70)	CKSRYB105K10
C 276	(B,91,45)	CKSRYB105K10	C 951	(B,140,75)	CCSSCH471J50
C 277	(B,91,43)	CKSRYB105K10	C 952	(B,144,74)	CKSSYB103K16
C 278	(B,91,42)	CKSRYB105K10	C 953	(B,143,72)	CCSSCH8R0D50
C 279	(B,91,40)	CKSRYB105K10	C 954	(B,143,59)	CCSSCH8R0D50
C 280	(B,91,39)	CKSRYB105K10	C 955	(B,144,57)	CKSSYB103K16
C 281	(B,91,37)	CKSRYB105K10	C 956	(B,142,57)	CCSSCH391J50
C 282	(B,91,36)	CKSRYB105K10	C 957	(A,141,57)	CKSSYB102K50
C 283	(B,91,34)	CKSRYB105K10	C 958	(A,140,57)	CKSSYB104K10
C 301	(B,53,14)	CKSSYB104K10	C 959	(A,139,57) 10 uF	CCG1236
C 302	(B,61,19)	CKSSYB102K50	C 960	(A,136,57) 10 uF	CCG1236
C 303	(B,64,15)	CKSSYB102K50	C 961	(A,134,57) 47 uF	CCG1233
C 304	(B,68,12)	CKSSYB473K16	C 963	(B,151,64)	CKSRYB473K50
C 305	(B,68,13)	CKSSYB473K16	C 964	(B,151,68)	CKSRYB102K50
C 401	(B,94,26)	CKSRYB471K50	C 965	(B,150,62) 10 uF	CCG1236
C 501	(B,44,109) 4.7 uF	CCG1201	C 966	(B,142,60)	CKSSYB104K10
C 502	(B,36,109) 4.7 uF	CCG1201	C 967	(B,150,69) 10 uF	CCG1236
C 503	(B,42,109) 4.7 uF	CCG1201	C 968	(B,150,66) 10 uF	CCG1236
C 504	(B,36,107) 4.7 uF	CCG1201	C 969	(B,145,58)	CKSSYB104K16
C 505	(B,40,109) 4.7 uF	CCG1201	C 970	(B,145,72)	CKSSYB104K16
C 506	(B,36,105) 4.7 uF	CCG1201	C 971	(B,139,72)	CKSSYB104K10
C 507	(B,21,113)	CKSSYB102K50	C 972	(B,141,73)	CKSRYB105K10
C 531	(A,71,57) (A)	CKSSYB102K50	C 974	(A,145,62) 47 uF	CCG1233
C 532	(A,72,57) (A)	CKSSYB102K50	C 975	(A,160,79)	CKSRYB102K50
C 533	(A,70,57) (A)	CKSSYB104K10	C 976	(A,140,62) 10 uF	CCG1236
C 534	(B,142,112)	CKSRYB104K50	C 977	(A,161,77) 10 uF	CCG1236
C 535	(B,124,111)	CKSRYB104K50	C 978	(A,142,62) 10 uF	CCG1236
C 537	(B,135,111)	CKSRYB104K50	C 979	(A,159,68)	CEAT332M16
C 601	(B,71,33)	CKSRYB105K10	C 980	(A,138,63)	CKSSYB104K10
C 602	(A,59,47)	CCSSCH220J50	C 981	(A,137,63)	CKSSYB102K50
C 603	(A,58,41)	CCSSCH220J50	C 1410	(A,18,93) (A,C)	CCSSCK2R0C50

1

2

3

4

1

2

3

4

Circuit Symbol and No.**Part No.****Circuit Symbol and No.****Part No.**

R 1112	(B,5,58)	RS1/10SR3R3J	R 1535	(A,22,44)	RS1/16SS104J
R 1113	(B,15,59)	RS1/10SR3R9J	R 1536	(B,32,48)	RS1/16SS104J
R 1114	(B,19,57)	RS1/10SR3R3J	R 1537	(A,24,46)	RS1/16SS104J
R 1115	(B,6,61)	RS1/10SR2R7J	R 1538	(A,55,35)	RS1/16SS104J
R 1116	(B,6,62)	RS1/10SR2R7J	R 1539	(B,33,48)	RS1/16SS104J
R 1117	(B,17,59)	RS1/10SR3R9J	R 1540	(A,26,46)	RS1/16SS221J
R 1118	(B,16,59)	RS1/10SR3R9J	R 1541	(A,26,45)	RS1/16SS221J
R 1223	(A,42,50)	RS1/16SS561J	R 1542	(B,26,34)	RS1/16SS103J
R 1225	(B,29,8)	RS1/16SS471J	R 1543	(A,32,48)	RS1/16SS181J
R 1251	(A,5,48)	RS1/16SS333J	R 1544	(A,36,48)	RS1/16SS181J
R 1252	(A,5,47)	RS1/16SS473J	R 1546	(A,33,49)	RS1/16SS682J
R 1253	(A,5,46)	RS1/16SS333J	R 1601	(A,32,17)	RS1/16SS123J
R 1254	(A,5,45)	RS1/16SS473J	R 1602	(A,32,18)	RS1/16SS123J
R 1255	(A,21,48)	RS1/16SS183J	R 1603	(B,31,21)	RS1/16SS1002D
R 1256	(A,21,46)	RS1/16SS752J	R 1604	(A,23,21)	RS1/16SS105J
R 1257	(B,8,37)	RS1/16SS221J	R 1605	(A,22,23)	RS1/16SS105J
R 1258	(A,19,39)	RS1/16SS221J	R 1670	(B,40,21)	RS1/16SS1002D
R 1401	(B,34,28)	RS1/16SS221J	R 1671	(B,42,19)	RS1/16SS2402D
R 1402	(B,34,47)	RS1/16SS104J	R 1672	(A,39,18)	RS1/16SS2000D
R 1405	(B,55,35)	RS1/16SS104J	R 1674	(A,36,17)	RS1/16SS3002D
R 1406	(B,39,45)	RS1/16SS472J	R 1801	(B,41,8)	RS1/16SS104J
R 1480	(A,72,24)	RAB4CQ560J	R 1802	(B,43,8)	RS1/16SS104J
R 1481	(A,72,28)	RAB4CQ560J	R 1803	(B,37,13)	RS1/16SS821J
R 1482	(A,72,32)	RAB4CQ560J	R 1804	(B,39,14)	RS1/16SS821J
R 1483	(A,72,35)	RAB4CQ560J	R 1950	(A,44,18)	RS1/10SR24R0F
R 1484	(A,72,39)	RAB4CQ560J	R 1951	(A,42,18)	RS1/10SR24R0F
R 1485	(A,55,22)	RAB4CQ560J	R 1952	(A,26,50)	RS1/16SS105J
R 1486	(A,55,28)	RAB4CQ560J	R 1953	(A,26,51)	RS1/16SS821J
R 1487	(A,56,37)	RAB4CQ560J	R 1954	(A,48,5)	RS1/16SS153J
R 1488	(A,55,40)	RAB4CQ560J	R 1955	(A,50,5)	RS1/16SS153J
R 1489	(A,54,30)	RS1/16SS560J	R 1982	(A,10,62)	RS1/16SS822J
R 1490	(A,72,21)	RS1/16SS560J	R 1983	(B,40,20)	RS1/16SS1000D
R 1501	(B,48,21)	RS1/16SS122J	R 1987	(B,43,21)	RS1/16SS0R0J
R 1503	(B,46,21)	RS1/16SS105J			
R 1504	(A,50,17)	RS1/16SS121J			
R 1505	(B,45,15)	RS1/16SS101J			
R 1506	(B,45,14)	RS1/16SS101J	C 1001	(B,34,10)	CKSRYB105K10
R 1507	(B,43,17)	RS1/16SS101J	C 1002	(B,12,17)	CKSSYB104K16
R 1508	(B,42,18)	RS1/16SS221J	C 1003	(B,15,19)	CKSSYB104K16
R 1509	(A,20,34)	RS1/16SS102J	C 1004	(B,15,17) 4.7 uF	CCG1201
R 1510	(A,11,29)	RS1/16SS102J	C 1005	(B,40,11)	CKSRYB105K16
R 1512	(A,55,32)	RS1/16SS470J	C 1010	(B,60,23)	CKSQYB225K10
R 1513	(A,23,38)	RS1/16SS103J	C 1011	(B,64,22)	CKSRYB105K10
R 1514	(A,24,40)	RS1/16SS183J	C 1015	(A,25,7)	CKSSYB102K50
R 1516	(A,24,36)	RS1/16SS104J	C 1016	(B,64,15)	CKSSYB102K50
R 1517	(B,57,22)	RS1/16SS103J	C 1018	(B,14,21)	CKSSYB104K10
R 1518	(B,33,31)	RS1/16SS103J	C 1040	(B,51,7)	CCSRCH821J50
R 1519	(A,24,43)	RS1/16SS102J	C 1041	(B,19,11)	CCSRCH271J50
R 1522	(A,21,37)	RS1/16SS104J	C 1101	(B,14,53) 10 uF	CCG1192
R 1523	(A,22,37)	RS1/16SS221J	C 1104	(B,7,57)	CKSSYB104K10
R 1524	(B,29,33)	RS1/16SS472J	C 1105	(B,18,54)	CKSSYB104K10
R 1525	(A,24,44)	RS1/16SS103J	C 1106	(B,8,66)	CKSSYB103K16
R 1526	(A,22,40)	RS1/16SS103J	C 1107	(B,25,53)	CKSSYB103K16
R 1527	(A,35,49)	RS1/16SS682J	C 1108	(A,19,57)	CKSSYB103K16
R 1528	(B,19,34)	RS1/16SS103J	C 1109	(A,7,57)	CKSRYB224K16
R 1529	(B,35,21)	RS1/16SS103J	C 1110	(A,17,58)	CKSSYB103K16
R 1530	(B,17,34)	RS1/16SS103J	C 1111	(A,9,66)	CKSRYB224K16
R 1531	(B,33,30)	RS1/16SS103J	C 1112	(B,17,52) 22 uF	DCH1256
R 1532	(A,24,42)	RS1/16SS101J	C 1113	(B,8,58) 22 uF	DCH1256
R 1534	(B,29,48)	RS1/16SS221J	C 1210	(B,77,34)	CKSSYB104K16

CAPACITORS

1

2

3

4

5		6		7		8	
<u>Circuit Symbol and No.</u>		<u>Part No.</u>		<u>Circuit Symbol and No.</u>		<u>Part No.</u>	
C 1251	(B,12,41)	CEVW101M16		C 1617	(B,27,28)	CKSSYB104K10	
C 1252	(B,7,41) 4.7 uF	CCG1222		C 1618	(A,22,29)	CCSSCH101J50	
C 1253	(B,7,39)	CKSSYB104K16		C 1619	(A,23,30)	CKSSYB562K25	
C 1254	(A,6,38)	CKSSYB104K16		C 1620	(B,27,30)	CKSSYB224K6R3	A
C 1255	(A,18,37)	CKSSYB104K16		C 1621	(A,22,31)	CKSSYB224K6R3	
C 1401	(B,34,27)	CKSSYB104K16		C 1622	(A,24,31)	CKSSYB333K16	
C 1403	(B,39,40)	CKSSYB104K10		C 1623	(A,27,20)	CKSRYP105K10	
C 1404	(B,40,40) 4.7 uF	CCG1201		C 1624	(A,24,32)	CKSSYB104K10	
C 1408	(B,57,27)	CKSSYB104K10		C 1625	(A,24,29)	CKSSYB104K10	
C 1409	(B,58,29) 4.7 uF	CCG1201		C 1671	(A,41,18)	CKSSYB104K10	
C 1410	(B,33,29)	CKSSYB104K16		C 1673	(A,37,19)	CKSSYB104K10	
C 1480	(A,71,19)	CKSSYB104K10		C 1674	(B,42,20)	CKSSYB104K10	
C 1481	(A,72,22)	CKSSYB104K10		C 1676	(B,38,21)	CKSRYP105K10	
C 1482	(A,72,26)	CKSSYB104K10		C 1801	(B,42,10) 4.7 uF	CCG1201	
C 1484	(A,72,30)	CKSSYB104K10		C 1802	(B,46,10) 4.7 uF	CCG1201	B
C 1485	(A,72,41)	CKSSYB104K10		C 1803	(B,42,12)	CCSRCH182J50	
C 1487	(A,57,29)	CKSSYB104K10		C 1804	(B,45,12)	CCSRCH182J50	
C 1488	(A,57,25)	CKSSYB104K10		C 1805	(B,34,13)	CKSSYB104K10	
C 1489	(A,64,17) 10 uF	CCG1192		C 1806	(B,32,13) 10 uF	CCG1192	
C 1490	(A,66,18)	CKSSYB102K50		C 1809	(B,39,16)	CKSSYB104K10	
C 1501	(B,61,20) 10 uF	CCG1192		C 1950	(A,27,51)	CKSSYB104K10	
C 1502	(B,54,20) 10 uF	CCG1192		C 1951	(A,23,54)	CCSSCH100D50	
C 1503	(A,54,33)	CKSSYB104K10		C 1952	(A,24,48)	CCSSCH100D50	
C 1504	(A,53,24)	CKSSYB104K10		C 1953	(B,60,17)	CKSRYP105K10	
C 1505	(A,53,27)	CKSSYB104K10		C 1954	(B,54,17)	CKSRYP105K10	C
C 1506	(B,52,35)	CKSSYB104K10		C 1955	(B,77,40)	CKSSYB104K16	
C 1507	(A,53,36)	CKSSYB104K10		D Unit Number : CXX4177(A)(C)(D)(E) Unit Number : CXX4551(B) Unit Name : Service Unit(Monitor) MISCELLANEOUS			
C 1508	(A,53,39)	CKSSYB104K10					
C 1509	(A,53,42)	CKSSYB104K10					
C 1510	(B,51,18)	CCSSCH100D50					
C 1511	(A,48,18)	CKSSYB104K10					
C 1512	(B,45,18)	CCSSCH100D50					
C 1513	(A,48,48)	CKSSYB104K10					
C 1514	(B,45,21)	CKSSYB104K10					
C 1515	(A,45,18)	CKSSYB104K10					
C 1516	(A,43,48)	CKSSYB104K10					
C 1517	(A,42,48)	CKSSYB104K10		IC 5201	(A,128,63) IC	S-1172B34-E6	D
C 1518	(A,38,48)	CKSSYB104K10		IC 5202	(A,123,70) IC	S-1135D12-A6	
C 1519	(A,34,47)	CKSSYB104K10		IC 5203	(B,106,38) Regulator IC	S-1200B55-M5	
C 1520	(A,27,47)	CKSSYB104K10		IC 5301	(A,12,31) IC	OZ5271RN	
C 1521	(A,24,34)	CKSSYB104K10		IC 5401	(A,22,59) Service Flash ROM Unit(A,C,D,E)	CXX4206	
C 1522	(A,25,38)	CKSSYB104K10		IC 5401	(A,22,59) Service Flash ROM Unit(B)	CXX4344	
C 1523	(A,20,46)	CKSSYB224K6R3		IC 5601	(A,104,42) IC	TC75S57FU	
C 1524	(A,20,48)	CKSSYB473K16		IC 5603	(A,120,46) IC	BH7673G	
C 1526	(A,24,37)	CKSSYB103K16		IC 5604	(A,118,41) IC	BH7673G	
C 1528	(B,30,48)	CCSSCH471J50		IC 5605	(A,111,44) IC	BU7485G	
C 1601	(A,32,19)	CKSSYB103K16		IC 5606	(A,108,48) IC	BH7673G	
C 1602	(A,34,17)	CCSSCH101J50		IC 5801	(A,76,46) IC	S-24C04CI-K8U	E
C 1603	(A,33,18)	CCSSCH101J50		IC 5802	(A,56,58) IC	MN103SH13	
C 1604	(A,30,17)	CCSSCH680J50		IC 5803	(A,64,77) Logic IC	TC7SHU04FUS1	
C 1605	(A,30,18)	CCSSCH680J50		Q 5201	(A,122,78) Chip Transistor	HN1C01FU	
C 1606	(A,35,19)	CKSSYB104K10		Q 5602	(A,86,32) Transistor	LSAR523UB	
C 1607	(A,20,24) 10 uF	CCG1192		Q 5603	(A,114,51) Transistor	LSCR523UB	
C 1608	(A,28,18) 4.7 uF	CCG1201		Q 5604	(A,97,39) Transistor	LSCR523UB	
C 1609	(A,26,22)	CKSSYB104K10		Q 5605	(A,103,47) Transistor	LSCR523UB	
C 1612	(A,24,24)	CKSSYB104K10		D 5201	(A,131,54) Diode	CRG03	
C 1613	(A,24,25)	CKSSYB104K10		D 5301	(A,20,35) Diode	RB160M-60	
C 1614	(A,22,24)	CKSSYB104K10		L 5201	(B,110,36) Inductor	CTF1545	
C 1615	(A,23,26)	CKSSYB104K10		L 5301	(A,14,41) Choke Coil 10 uH	CTH1435	F
C 1616	(A,24,27)	CKSSYB104K10		L 5401	(A,31,49) Inductor	CTF1545	
				L 5601	(A,101,41) Inductor	CTF1545	

Circuit Symbol and No.**Part No.****Circuit Symbol and No.****Part No.**

L 5603	(A,88,36) Inductor	CTF1545	R 5404	(B,28,48)	RS1/16SS180J
			R 5405	(B,32,51)	RS1/16SS180J
L 5604	(A,110,51) Inductor	CTF1545			
L 5605	(A,93,39) Inductor	CTF1545	R 5406	(B,30,48)	RS1/16SS180J
L 5606	(A,100,47) Inductor	CTF1545	R 5407	(B,31,51)	RS1/16SS180J
L 5607	(A,111,48) Inductor	CTF1545	R 5408	(B,32,49)	RS1/16SS180J
L 5608	(B,123,44) Inductor	CTF1545	R 5409	(B,31,56)	RS1/16SS180J
			R 5410	(A,22,71)	RS1/16SS220J
L 5701	(A,88,79) Inductor	CTF1786			
L 5801	(A,51,38) Inductor	CTF1786	R 5411	(B,30,50)	RS1/16SS180J
L 5802	(A,74,40) Inductor	CTF1545	R 5412	(B,25,54)	RS1/16SS180J
L 5803	(A,75,54) Inductor	CTF1748	R 5413	(A,21,71)	RS1/16SS102J
L 5804	(B,63,55) Inductor	CTF1545	R 5414	(B,31,52)	RS1/16SS180J
			R 5415	(B,20,54)	RS1/16SS180J
L 5805	(B,64,53) Inductor	CTF1545			
L 5806	(B,73,51) Inductor	CTF1545	R 5416	(B,28,53)	RS1/16SS180J
L 5807	(B,51,52) Inductor	CTF1545	R 5417	(B,23,54)	RS1/16SS180J
L 5808	(B,51,53) Inductor	CTF1545	R 5418	(B,28,54)	RS1/16SS180J
L 5809	(A,40,51) Inductor	CTF1545	R 5419	(B,20,55)	RS1/16SS180J
			R 5420	(B,17,55)	RS1/16SS470J
L 5810	(A,75,76) Inductor	CTF1786			
L 5811	(A,37,62) Inductor	CTF1545	R 5421	(B,17,56)	RS1/16SS750J
L 5812	(B,52,68) Inductor	CTF1545	R 5603	(A,103,39)	RS1/16SS4702D
L 5813	(A,43,67) Inductor	CTF1545	R 5604	(A,105,40)	RS1/16SS5102D
L 5814	(B,49,69) Inductor	CTF1545	R 5605	(A,103,44)	RS1/16SS104J
			R 5606	(B,102,34)	RS1/16SS0R0J
L 5815	(A,82,75) Inductor	CTF1786			
L 5816	(A,49,77) Inductor	CTF1545	R 5607	(A,104,36)	RS1/16SS0R0J
L 5817	(A,36,76) Inductor	CTF1786	R 5608	(A,106,48)	RS1/16SS101J
L 5818	(B,64,59) Inductor	CTF1545	R 5609	(A,106,35)	RS1/16SS75R0F
L 5819	(A,64,71) Inductor	CTF1545	R 5612	(A,89,32)	RS1/16SS471J
			R 5613	(A,87,34)	RS1/16SS472J
L 5820	(A,63,72) Inductor	CTF1545			
X 5801	(A,70,74) Oscillator 9.597 MHz	CSS1787	R 5614	(A,88,34)	RS1/16SS472J
X 5802	(A,77,59) Oscillator 33 MHz	CSS1792	R 5615	(A,86,34)	RS1/16SS471J
CN5001	(A,117,28) Connector	CKS6297	R 5619	(A,108,44)	RS1/16SS273J
CN5102	(A,121,14) Connector	CKS6233	R 5620	(A,108,43)	RS1/16SS472J
			R 5622	(A,112,41)	RS1/16SS472J
CN5301	(A,15,17) Connector	CKS6233			
CN5701	(A,101,74) Connector	CKS6272	R 5623	(A,110,41)	RS1/16SS273J
			R 5624	(A,114,40)	RS1/16SS101J
			R 5625	(A,111,53)	RS1/16SS471J
			R 5626	(A,93,40)	RS1/16SS471J
			R 5628	(A,115,38)	RS1/16SS101J
			R 5633	(A,117,49)	RS1/16SS101J
			R 5634	(A,102,49)	RS1/16SS471J
			R 5801	(A,92,42)	RS1/16SS332J
			R 5802	(A,90,43)	RS1/16SS472J
			R 5803	(A,72,47)	RS1/16SS471J
			R 5804	(A,72,48)	RS1/16SS471J
			R 5805	(A,76,49)	RS1/16SS103J
			R 5806	(A,74,49)	RS1/16SS103J
			R 5807	(A,82,55)	RS1/16SS101J
			R 5808	(A,77,54)	RS1/16SS271J
			R 5809	(A,78,50)	RS1/16SS271J
			R 5810	(A,71,50)	RS1/16SS271J
			R 5811	(A,73,50)	RS1/16SS0R0J
			R 5812	(A,71,52)	RS1/16SS103J
			R 5813	(A,58,42)	RS1/16SS1002D
			R 5814	(A,90,53)	RS1/16SS103J
			R 5815	(A,90,54)	RS1/16SS103J
			R 5817	(A,48,42)	RS1/16SS473J
			R 5818	(A,36,48)	RAB4CQ103J
			R 5819	(A,40,48)	RAB4CQ103J
			R 5820	(A,47,48)	RS1/16SS103J
			R 5821	(A,54,75)	RS1/16SS103J
			R 5822	(A,66,76)	RS1/16SS105J

D RESISTORS

R 5201	(A,127,69)	RS1/16SS823J			
R 5202	(A,125,67)	RS1/16SS823J			
R 5203	(B,109,36)	RS1/16SS472J			
R 5206	(A,119,77)	RS1/10SR680J			
R 5207	(A,123,75)	RS1/16SS330J			
R 5208	(A,125,80)	RS1/16SS101J			
R 5209	(A,125,79)	RS1/16SS562J			
R 5210	(A,124,77)	RS1/16SS473J			
R 5211	(A,121,76)	RS1/16SS104J			
R 5301	(A,6,34)	RS1/16SS4702D			
R 5302	(A,8,37)	RS1/16SS102J			
R 5303	(A,16,26)	RS1/16SS683J			
R 5305	(A,17,26)	RS1/16SS102J			
R 5306	(A,31,39)	RS1/16SS104J			
R 5307	(A,31,38)	RS1/16SS3301F			
R 5308	(A,20,24)	RS1/16SS1103D			
R 5309	(A,19,24)	RS1/16SS8201D			
R 5315	(A,13,24)	RS1/16SS104J			
R 5316	(A,12,24)	RS1/16SS104J			
R 5317	(A,9,23)	RS1/16SS104J			
R 5401	(A,30,47)	RS1/16SS103J			
R 5402	(B,32,47)	RS1/16SS180J			
R 5403	(B,31,54)	RS1/16SS180J			

5		6		7		8	
<u>Circuit Symbol and No.</u>		<u>Part No.</u>		<u>Circuit Symbol and No.</u>		<u>Part No.</u>	
R 5823	(A,68,77)	RS1/16SS332J		C 5809	(A,60,40)	CKSSYB104K10	
R 5824	(A,61,78)	RS1/16SS220J		C 5810	(A,63,39)	CKSSYB104K10	
R 5825	(A,54,77)	RS1/16SS102J		C 5811	(A,64,40)	CKSSYB104K10	
R 5826	(A,72,61)	RS1/16SS471J		C 5812	(A,67,40)	CKSSYB104K10	
R 5828	(A,81,60)	RS1/16SS103J		C 5813	(A,68,40)	CKSSYB104K10	
R 5829	(A,80,63)	RS1/16SS271J		C 5814	(A,61,44)	CKSSYB104K10	
R 5830	(A,85,61)	RS1/16SS271J		C 5815	(A,70,45)	CKSSYB104K10	
R 5831	(A,85,63)	RAB4CQ101J		C 5818	(A,55,40)	CKSSYB102K50	
R 5832	(A,76,66)	RAB4CQ101J		C 5819	(A,63,41)	CKSSYB104K10	
R 5833	(A,89,65)	RAB4CQ101J		C 5820	(A,66,44)	CKSSYB104K10	
R 5834	(A,77,70)	RS1/16SS101J		C 5821	(A,60,42)	CKSSYB104K10	
R 5835	(A,75,70)	RS1/16SS101J		C 5823	(B,64,55)	CKSSYB104K10	
R 5836	(A,77,72)	RAB4CQ101J		C 5824	(A,71,54)	CKSSYB104K10	
				C 5825	(A,68,46)	CKSSYB221K50	
				C 5826	(A,57,41)	CCSSCH330J50	
CAPACITORS							
C 5201	(A,129,69) 4.7 uF	CCG1201		C 5827	(A,62,43)	CKSSYB104K10	
C 5202	(A,127,67)	CKSRYB105K10		C 5828	(A,68,52)	CKSSYB104K10	
C 5203	(A,129,58) 4.7 uF	CCG1201		C 5829	(A,65,44)	CKSSYB104K10	
C 5204	(A,121,71)	CKSRYB105K10		C 5830	(A,51,44)	CKSSYB104K10	
C 5205	(A,124,71)	CKSRYB105K10		C 5831	(B,51,50)	CKSSYB104K10	
C 5206	(B,107,41)	CKSRYB105K10		C 5832	(A,49,48)	CKSSYB104K10	
C 5207	(B,104,41)	CKSRYB105K10		C 5833	(A,42,51)	CKSSYB104K10	
C 5301	(A,7,27)	CCSSCH101J50		C 5834	(A,34,65) 10 uF	CCG1192	
C 5302	(A,6,33)	CKSRYB105K10		C 5835	(B,55,67)	CKSRYB105K10	
C 5303	(A,11,36)	CKSRYB105K10		C 5836	(A,39,66)	CKSRYB105K10	
C 5304	(A,17,23)	CKSRYB224K16		C 5837	(A,43,66)	CKSSYB104K10	
C 5305	(A,7,41) 10 uF	CCG1236		C 5838	(A,38,64)	CKSSYB103K16	
C 5307	(A,19,32) 10 uF	CCG1236		C 5839	(A,80,76)	CKSRYB105K10	
C 5401	(A,22,45) 4.7 uF	CCG1201		C 5840	(A,52,73)	CKSSYB104K10	
C 5402	(A,30,46)	CKSSYB104K10		C 5841	(A,40,58)	CKSSYB104K10	
C 5403	(A,21,47)	CKSSYB104K10		C 5842	(A,40,61)	CKSSYB104K10	
C 5602	(A,104,40)	CKSSYB104K10		C 5843	(A,41,63)	CKSSYB104K10	
C 5603	(A,103,40)	CKSSYB104K10		C 5844	(A,43,64)	CKSSYB104K10	
C 5607	(A,90,33) 10 uF	CCG1192		C 5845	(A,46,71)	CKSSYB104K10	
C 5608	(A,85,34)	CKSSYB104K10		C 5846	(A,50,70)	CKSSYB104K10	
C 5610	(A,113,48)	CKSRYB105K10		C 5847	(A,36,56) 10 uF	CCG1192	
C 5611	(A,110,40)	CCSSCH6R0D50		C 5848	(A,69,72)	CCSSCH180J50	
C 5613	(A,111,51)	CKSSYB104K10		C 5849	(A,40,73) 10 uF	CCG1192	
C 5614	(A,95,39)	CKSSYB104K10		C 5850	(A,70,77)	CCSSCH180J50	
C 5617	(A,101,48)	CKSSYB104K10		C 5852	(A,63,75)	CKSSYB104K10	
C 5619	(B,110,44)	CKSRYB105K10		C 5853	(A,75,57)	CCSSCH9R0D50	
C 5620	(B,119,42)	CKSRYB105K10		C 5854	(A,75,60)	CCSSCH120J50	
C 5621	(B,114,38)	CKSRYB105K10		C 5855	(A,69,63)	CKSSYB104K10	
C 5623	(A,123,46)	CKSRYB105K10		C 5856	(B,63,61)	CKSSYB104K10	
C 5624	(B,118,36)	CKSRYB105K10		C 5857	(A,69,66)	CKSSYB104K10	
C 5625	(A,112,38)	CKSRYB105K10		C 5858	(A,63,71)	CKSSYB104K10	
C 5626	(A,122,41)	CKSRYB105K10		C 5859	(A,61,72)	CKSSYB104K10	
C 5627	(A,124,41)	CKSRYB105K10		C 5860	(A,61,73)	CKSSYB104K10	
C 5630	(B,123,40)	CKSRYB105K10		C 5861	(A,56,76)	CKSSYB102K50	
C 5701	(A,87,74)	CKSSYB104K10					
C 5702	(A,86,76) 10 uF	CCG1192					
C 5801	(B,81,44) 10 uF	CCG1192					
C 5802	(A,87,47) 4.7 uF	CCG1201					
C 5803	(A,84,38) 4.7 uF	CCG1201					
C 5804	(A,86,43) 4.7 uF	CCG1201					
C 5805	(A,78,49)	CKSSYB104K10					
C 5806	(A,72,43) 10 uF	CCG1192					
C 5807	(A,55,38) 10 uF	CCG1192					
C 5808	(A,59,40)	CKSSYB104K10					

E
Unit Number : CXX4180
Unit Name : Service Unit(Keyboard)

MISCELLANEOUS

IC 3501	(A,10,91)	IR RC REC Module	PNJ4833M
Q 3501	(A,16,63)	Chip Transistor	HN1C01FU
Q 3502	(A,17,52)	Transistor	LSCR523UB
D 3501	(B,30,27)	Diode	DZ2S068C

Circuit Symbol and No.**Part No.**

D 3502	(B,27,25) Diode	DZ2S068C
D 3503	(A,28,48) Diode	DZ2S068C
D 3504	(B,25,25) Diode	DZ2S068C
D 3505	(A,26,50) Diode	DZ2S068C
D 3506	(B,8,31) Diode	HZM6.8Z4MWA
D 3508	(A,16,57) LED	SMLV56RGB1U1(Q)
S 3502	(A,23,94) Push Switch	CSG1155
S 3503	(A,8,36) Push Switch	CSG1155
S 3504	(A,16,71) Push Switch	CSG1155
S 3505	(A,16,44) Push Switch	CSG1155
S 3506	(A,29,57) Push Switch	CSG1155
S 3507	(A,27,79) Push Switch	CSG1155
S 3508	(A,8,79) Push Switch	CSG1155
S 3509	(A,27,36) Push Switch	CSG1155
S 3510	(A,23,57) Push Switch	CSG1155
CN3504	(B,27,45) Connector	CKS6387
JA3501	(A,25,14) Jack	CKN1084
JA3502	(A,10,19) Connector	CKS6267

RESISTORS

R 3501	(B,29,27)	RS1/16SS223J
R 3502	(B,24,28)	RS1/16SS750J
R 3503	(B,28,27)	RS1/16SS223J
R 3510	(B,19,91)	RS1/16SS470J
R 3511	(A,24,92)	RS1/16SS182J
R 3512	(A,19,73)	RS1/16SS222J
R 3513	(A,11,45)	RS1/16SS472J
R 3514	(A,25,76)	RS1/16SS182J
R 3515	(A,24,76)	RS1/16SS222J
R 3516	(A,28,42)	RS1/16SS472J
R 3517	(A,27,42)	RS1/16SS123J
R 3518	(A,19,64)	RS1/16SS680J
R 3519	(A,20,64)	RS1/16SS560J
R 3520	(A,21,64)	RS1/16SS0R0J
R 3521	(A,18,65)	RS1/16SS103J
R 3523	(A,14,65)	RS1/16SS680J
R 3524	(A,14,66)	RS1/16SS560J
R 3525	(A,12,66)	RS1/16SS0R0J
R 3526	(A,13,62)	RS1/16SS103J
R 3528	(A,18,50)	RS1/16SS680J
R 3529	(A,18,49)	RS1/16SS560J
R 3530	(A,18,48)	RS1/16SS0R0J
R 3531	(A,16,49)	RS1/16SS103J

CAPACITORS

C 3502	(B,18,92) 10 uF	CCG1192
C 3508	(B,21,40)	CKSRYB104K50
C 3509	(B,19,25)	CKSRYB104K50
C 3510	(B,21,26)	CKSRYB104K50

Miscellaneous Parts List

M 1	DVD Pickup Unit	CGY5100
M 2	Motor Unit(CRG(L/E))	CXC4026
M 2	Motor(SPINDLE)	EXM2002