

Service Manual

ORDER NO.
RRV4422

DJ MIXER

DJM-900NXS-M

THIS MANUAL IS APPLICABLE TO THE FOLLOWING MODEL(S) AND TYPE(S).

Model	Type	Power Requirement	Remarks
DJM-900NXS-M	SYXJ8	AC 220 V to 240 V	
DJM-900NXS-M	UXJCB	AC 120 V	
DJM-900NXS-M	LXJ	AC 110 V to 120 V or 220 V to 240 V	
DJM-900NXS-M	XJCN5	AC 220 V to 240 V	

This service manual should be used together with the following manual(s).

Model No.	Order No.	Remarks
DJM-900NXS/SYXJ8	RRV4170	

For SPECIFICATIONS and PANEL FACILITIES, refer to the operating instructions.

This product is a limited-production model derived from the DJM-900NXS (base model) in a different color.

This product is the same as the DJM-900NXS, except for the colors.

The major changes are as shown below.

Exterior panels: Changed to metallic

When replacing the above-mentioned parts, be sure to use the parts described in this manual.

1. CONTRAST OF MISCELLANEOUS PARTS

NOTES: ● Parts marked by "NSP" are generally unavailable because they are not in our Master Spare Parts List.

● The \triangle mark found on some component parts indicates the importance of the safety factor of the part. Therefore, when replacing, be sure to use parts of identical designation.

● Screws adjacent to ∇ mark on product are used for disassembly.

● For the applying amount of lubricants or glue, follow the instructions in this manual. (In the case of no amount instructions, apply as you think it appropriate.)

● Nos. indicate the pages and Nos. in the service manual for the base model.

● When ordering resistors, first convert resistance values into code form as shown in the following examples.

Ex.1 When there are 2 effective digits (any digit apart from 0), such as 560 ohm and 47k ohm (tolerance is shown by J=5%, and K=10%).

560 Ω \rightarrow 56 x 10¹ \rightarrow 561 RD1/4PU5 6 1 J
 47k Ω \rightarrow 47 x 10³ \rightarrow 473 RD1/4PU4 7 3 J
 0.5 Ω \rightarrow R50 RN2H 5 0 K
 1 Ω \rightarrow 1R0 RS1P 1 0 K

Ex.2 When there are 3 effective digits (such as in high precision metal film resistors).

5.62k Ω \rightarrow 562 x 10¹ \rightarrow 5621 RN1/4PC 5 6 2 1 F

CONTRAST TABLE

DJM-900NXS/SYXJ8, DJM-900NXS-M/SYXJ8, DJM-900NXS-M/UXJCB, DJM-900NXS-M/LXJ and DJM-900NXS-M/XJCN5 are constructed the same except for the following:

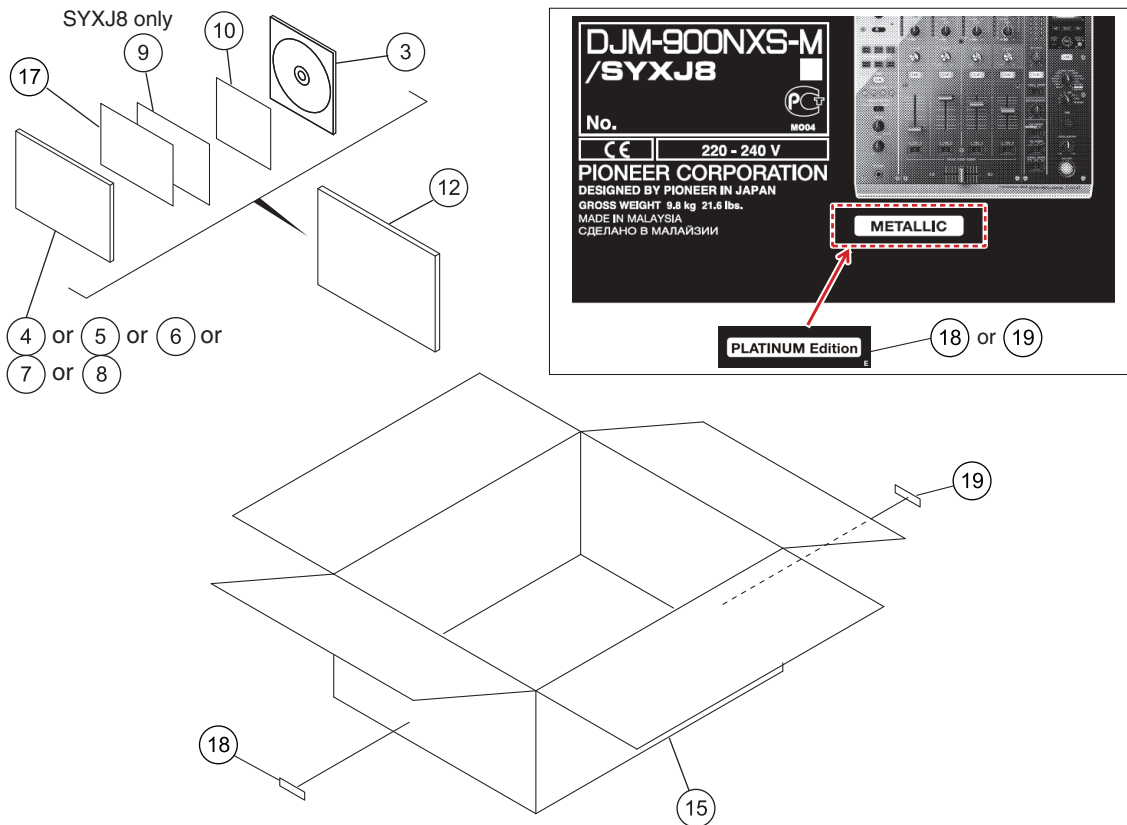
Mark	No.	Symbol and Description	DJM-900NXS /SYXJ8	DJM-900NXS-M /SYXJ8	DJM-900NXS-M /UXJCB	DJM-900NXS-M /LXJ	DJM-900NXS-M /XJCN5	Remarks
PCB ASSEMBLIES								
NSP	P91-7	1..MOTHER ASSY	DWM2418	DWM2499	DWM2499	DWM2499	DWM2499	
	P93-1	2..USB1 ASSY	DWX3192	DWX3469	DWX3469	DWX3469	DWX3469	
	P95-1	2..MAIN ASSY	DWX3190	DWX3467	DWX3467	DWX3467	DWX3467	
	P95-1	2..CDCB ASSY	DWX3191	DWX3468	DWX3468	DWX3468	DWX3468	
NSP	P91-1	1..AUDIO ASSY	DWM2419	DWM2500	DWM2500	DWM2500	DWM2500	
	P91-1	2..INPUT ASSY	DWX3193	DWX3470	DWX3470	DWX3470	DWX3470	
	P97-1	1..PNLA ASSY	DWX3196	DWX3471	DWX3471	DWX3471	DWX3471	
PACKING SECTION								
\triangle	P89-1	Power Cord	ADG7062	ADG7062	DDG1108	ADG7062	ADG7105	
	P89-4	Operating Instructions (En/Fr/De/It/Nl/Es/Ru)	DRB1569	DRB1569	Not used	Not used	Not used	
	P89-5	Operating Instructions (En)	Not used	Not used	DRB1671	Not used	Not used	
	P89-6	Operating Instructions (En/Es/Zhtw)	Not used	Not used	Not used	DRB1675	Not used	
	P89-8	Operating Instructions (En/Zhcn)	Not used	Not used	Not used	Not used	DRB1677	
NSP	P89-9	Warranty Card	ARY7158	ARY7158	Not used	Not used	Not used	
NSP	P89-10	Leaflet	DRH1204	DRH1204	DRH1204	DRH1204	DRH1203	
NSP	P89-15	Packing Case	DHG3077	DHG3251	DHG3252	DHG3254	DHG3255	
		Caution Card/M Label (En)	Not used	DRM1375	DRM1375	DRM1375	DRM1375	No. 17
		Label (Fr)	Not used	DRW2575	DRW2575	DRW2575	Not used	No. 18
		Label (Fr)	Not used	DRW2576	DRW2576	DRW2575	Not used	No. 19
EXTERIOR SECTION								
NSP	P91-21	Side Panel L	DNK5363	DNK6191	DNK6191	DNK6191	DNK6191	
	P91-22	Side Panel R	DNK5364	DNK6192	DNK6192	DNK6192	DNK6192	
	P91-23	Front Panel	DNK5845	DNK6193	DNK6193	DNK6193	DNK6193	
	P91-28	Caution Label	Not used	Not used	DRW2532	DRW2557	Not used	
	P91-29	Label	Not used	Not used	DRW1975	Not used	Not used	
NSP	P91-30	Name Label	DRW2463	DAL1239	DAL1240	DAL1242	DAL1259	
NSP	P91-46	Screw	CCZ30P080FTB	CMZ30P080FNI	CMZ30P080FNI	CMZ30P080FNI	CMZ30P080FNI	
NSP	NSP	Plate/DJM	Not used	DAM1091	DAM1091	DAM1091	DAM1091	No. 35
		Name Label/RU	DRW2486	Not used	Not used	Not used	Not used	
BOTTOM SECTION								

Mark	No.	Symbol and Description	DJM-900NXS /SYXJ8	DJM-900NXS-M /SYXJ8	DJM-900NXS-M /UXJCB	DJM-900NXS-M /LXJ	DJM-900NXS-M /XJCN5	Remarks
⚠ NSP	P93-5	AC Inlet Assy (2P)	DKP3762	DKP3762	Not used	DKP3762	DKP3762	
	P93-5	AC Inlet Assy (3P)	Not used	Not used	DKP3927	Not used	Not used	
	P93-8	Chassis	DNA1410	DNA1451	DNA1451	DNA1451	DNA1451	
	P93-9	Rear Panel	DNC2020	DNC2096	DNC2097	DNC2099	DNC2100	
	P93-34	Screw	Not used	Not used	PMH40P080FTC	Not used	Not used	
	CONTROL PANEL SECTION (1/2)							
	P95-33	Rotary SW Knob	DAA1256	DAA1313	DAA1313	DAA1313	DAA1313	
	P95-37	Slider Knob 1	DAC2684	DAC2912	DAC2912	DAC2912	DAC2912	
	P95-40	Fader Panel	DAH2830	DAH2967	DAH2967	DAH2967	DAH2967	
	P95-42	Control Panel	DNB1186	DNB1225	DNB1225	DNB1225	DNB1225	
P95-59	Screw	CCZ30P080FTB	CMZ30P080FNI	CMZ30P080FNI	CMZ30P080FNI	CMZ30P080FNI		
CONTROL PANEL SECTION (2/2)								
P97-5	Panel Stay	DND1265	DND1276	DND1276	DND1276	DND1276		

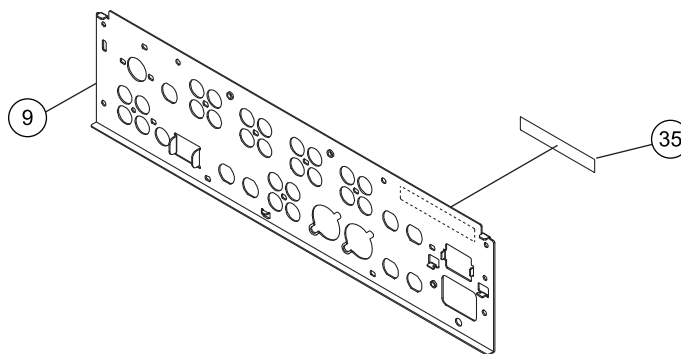
Notes : The numbers in the remarks column correspond to the numbers on the "EXPLODED VIEWS".

For PCB ASSEMBLIES, Refer to "CONTRAST OF PCB ASSEMBLIES", "2. SCHEMATIC DIAGRAM" and "3. PCB CONNECTION DIAGRAM".

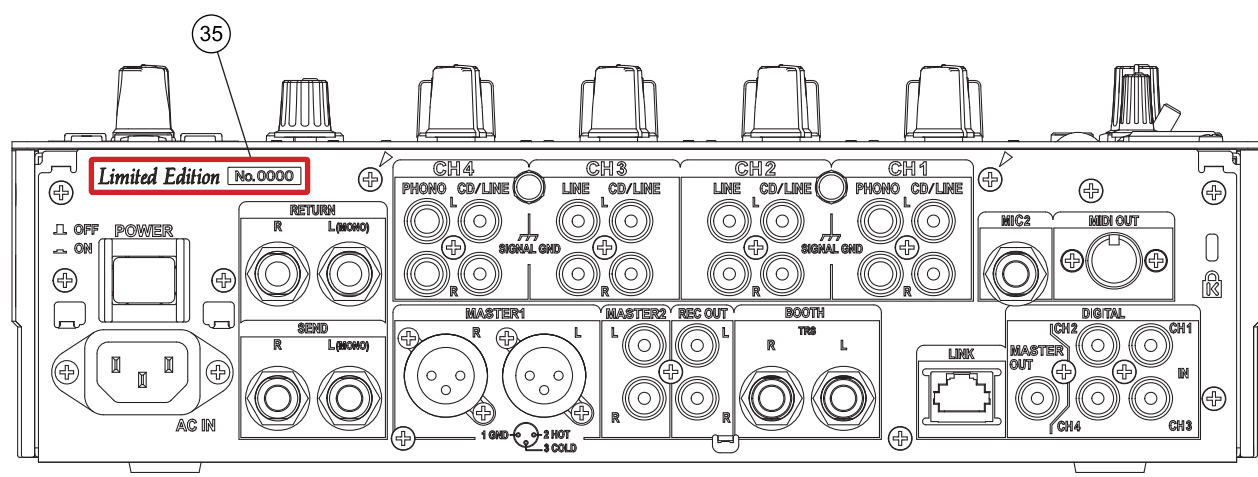
EXPLODED VIEWS PACKING SECTION



BOTTOM SECTION



35



CONTRAST OF PCB ASSEMBLIES

A F INPUT ASSY

DWX3193 and DWX3470 are constructed the same except for the following:

Mark	Symbol and Description	DWX3193	DWX3470	Remarks
	JA4201, JA4601, JA5001, JA5401 JACK	DKB1083	DKB1112	

G F MAIN ASSY

DWX3190 and DWX3467 are constructed the same except for the following:

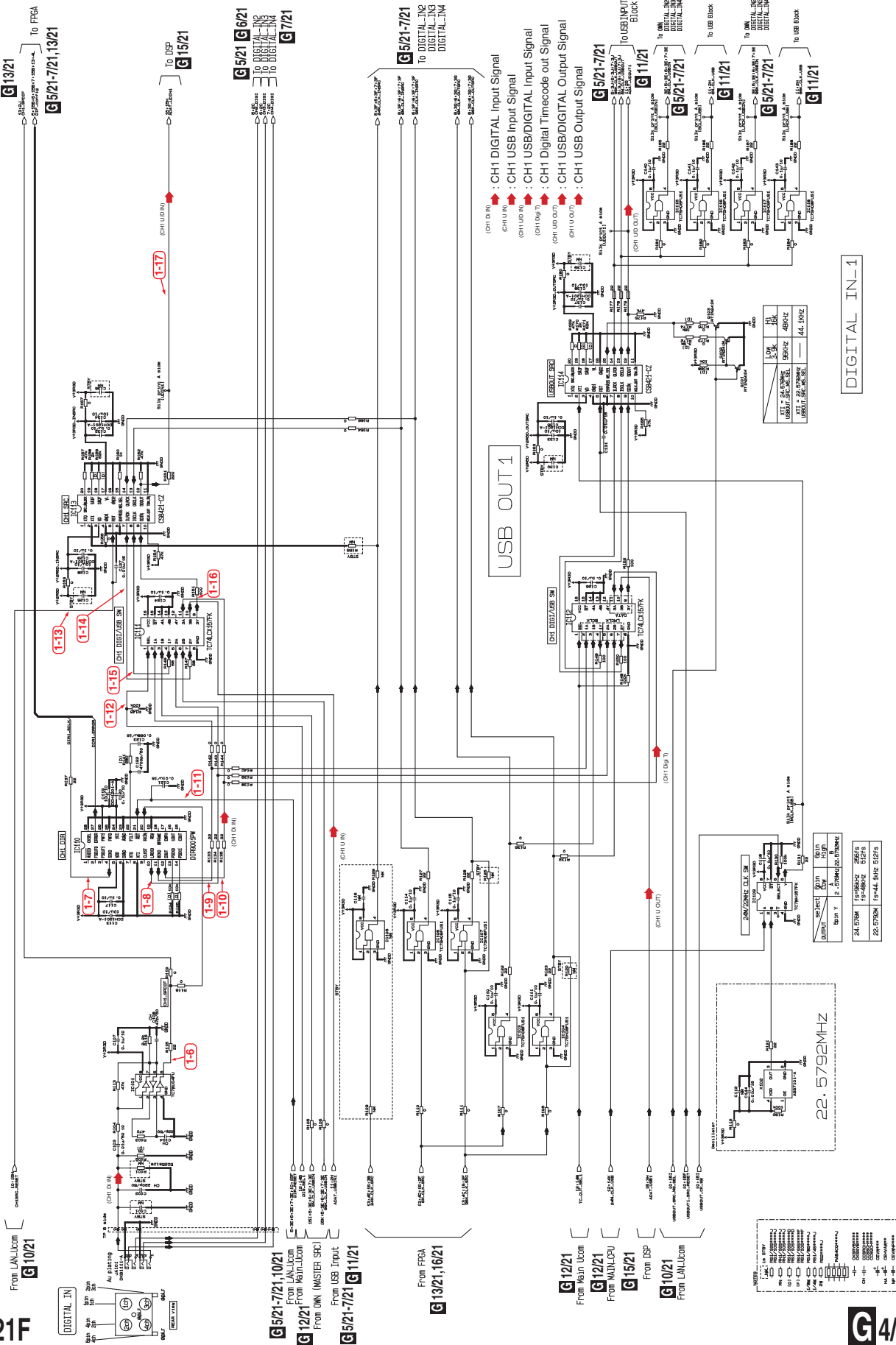
Mark	Symbol and Description	DWX3190	DWX3467	Remarks
	IC105, IC2004	TC7SH08FUS1	Not used	
	IC102, IC2002	TC7SHU04FUS1	Not used	
	IC2805, IC2806	NJM4580D	NJM2114D	
	IC1802	M12L64164A-5TG2Y-K	M12L64164A-5TG2M-K	
	IC702	MD56V82160-6TAZ-K	M12L2561616A-5TG2A-K	
	Q1206, Q1406, Q2001	LTA124EUB	RT1P241M-11	
	Q101-Q103, Q1205, Q1405	LTC124EUB	RT1N241M	
	Q1407, Q2003, Q2401-Q2403	LTC124EUB	RT1N241M	
	Q2601, Q2836, Q3409, Q3410	LTC124EUB	RT1N241M	
	Q1408, Q2602, Q2820, Q2822	LSC4081UB(QRS)	2SC4154-11(EF)	
	Q2824, Q2826	LSC4081UB(QRS)	2SC4154-11(EF)	
	Q2837	2SC3326(AB)	INC2002AC1	
	Q3401, Q3403	LSC4081UB(QRS)	2SC4154-11(EF)	
	L2002 CHIP BEADS	Not used	VTL1129	
	X102 CRYSTAL(22.5792 MHz)	Not used	ASS7101	
	X2003 CRYSTAL(24.576 MHz)	Not used	ASS7102	
	X101 CRYSTAL(22.5792 MHz)	DSS1202	Not used	
	X2002 CRYSTAL(24.576 MHz)	DSS1204	Not used	
	JA2401 1P JACK	DKB1089	DKB1113	
	JA3001 4P PIN JACK	DKB1083	DKB1112	
	JA101 4P PIN JACK	DKB1110	DKB1111	
	R2884-R2887	Not used	RS1/10SR0R0J	
	R190, R2115	Not used	RS1/10SR104J	
	R3062	Not used	RS1/8SQ0R0J	
	R2888-R2891	RN1/16SE3902D	Not used	
	R2002, R2633	RS1/10SR0R0J	Not used	
	R114, R2004	RS1/10SR105J	Not used	
	R2006	RS1/16SS102J	Not used	
	R117	RS1/16SS152J	Not used	
	R2008, R2017	RS1/16SS220J	RS1/16SS0R0J	
	C106, C109, C2004, C2006	CCSSCH120J50	Not used	

2. SCHEMATIC DIAGRAM

2.1 MAIN ASSY (4/21)

G4/21F MAIN ASSY (DWX3467)

USB1/DIGITAL 1 IN



DIGITAL IN_1

○ : Waveform measuring point

G4/21F

DJM-900NXS-M

G4/21F