



# PARTS LIST

## MONITOR WITH DVD RECEIVER

KW-ADV64BTJ	KW-AV60BTA	KW-AV60BTE
KW-AV60BTEE	KW-AV60BTEU	KW-AV60BTJ
KW-AV60BTU	KW-AV60E	KW-AV60EU
KW-AV60J	KW-AV60U	KW-AV60UF
	KW-AV68BTJW	



## ■ PRECAUTIONS ON SCHEMATIC DIAGRAMS

- Due to the improvement in performance, some part numbers shown in the circuit diagrams may not agree with those indicated in the Parts List.
- The parts numbers, values and rated voltage etc. in the Schematic Diagrams are for reference only.
- Since the circuit diagrams are standard ones, the circuits and circuit constants may be subject to change for improvement without any notice.

## ■ PRECAUTIONS ON PARTS LIST

- The parts identified by the  $\triangle$  symbol are critical for safety. Whenever replacing these parts, be sure to use specified ones to secure the safety.
- The parts not indicated in this Parts List and those which are filled with lines --- in the Parts No. columns will not be supplied.
- P.W. BOARD Ass'y will not be supplied, but those which are filled with the Parts No. in the Parts No. columns will be supplied.
- When ordering chips, screws etc., place bulk orders (unit of tens) whenever possible to improve shipping efficiency.
- There are cases where the actual implemented parts in the sets and the service parts are different. When ordering parts, make sure to refer to the Parts List.

## ■ PRECAUTIONS ON SERVICE

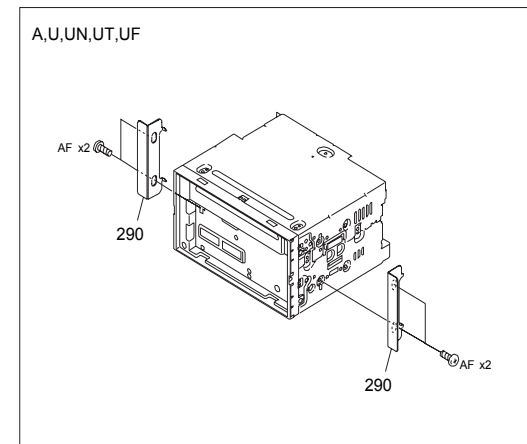
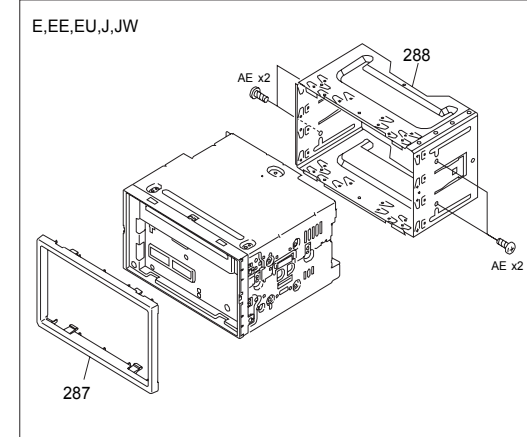
Certain parts of the power circuits and the GNDs differ according to the models. Care must be taken for the following points as the differences are indicated separately in the LIVE GND () and the ISOLATED (NEUTRAL) GND ()

1. Do not touch the LIVE GND, or do not touch the LIVE GND and the ISOLATED (NEUTRAL) GND at the same time. It may cause an electric shock.  
Before pulling out the chassis or other parts, make sure to pull out the power cord from the wall outlet first.
2. Do not short circuit between the LIVE GND and ISOLATED (NEUTRAL) GND, or never measure the LIVE GND and ISOLATED (NEUTRAL) GND at the same time using measuring instruments (oscilloscope, etc.). It may blow fuses or damage other parts.

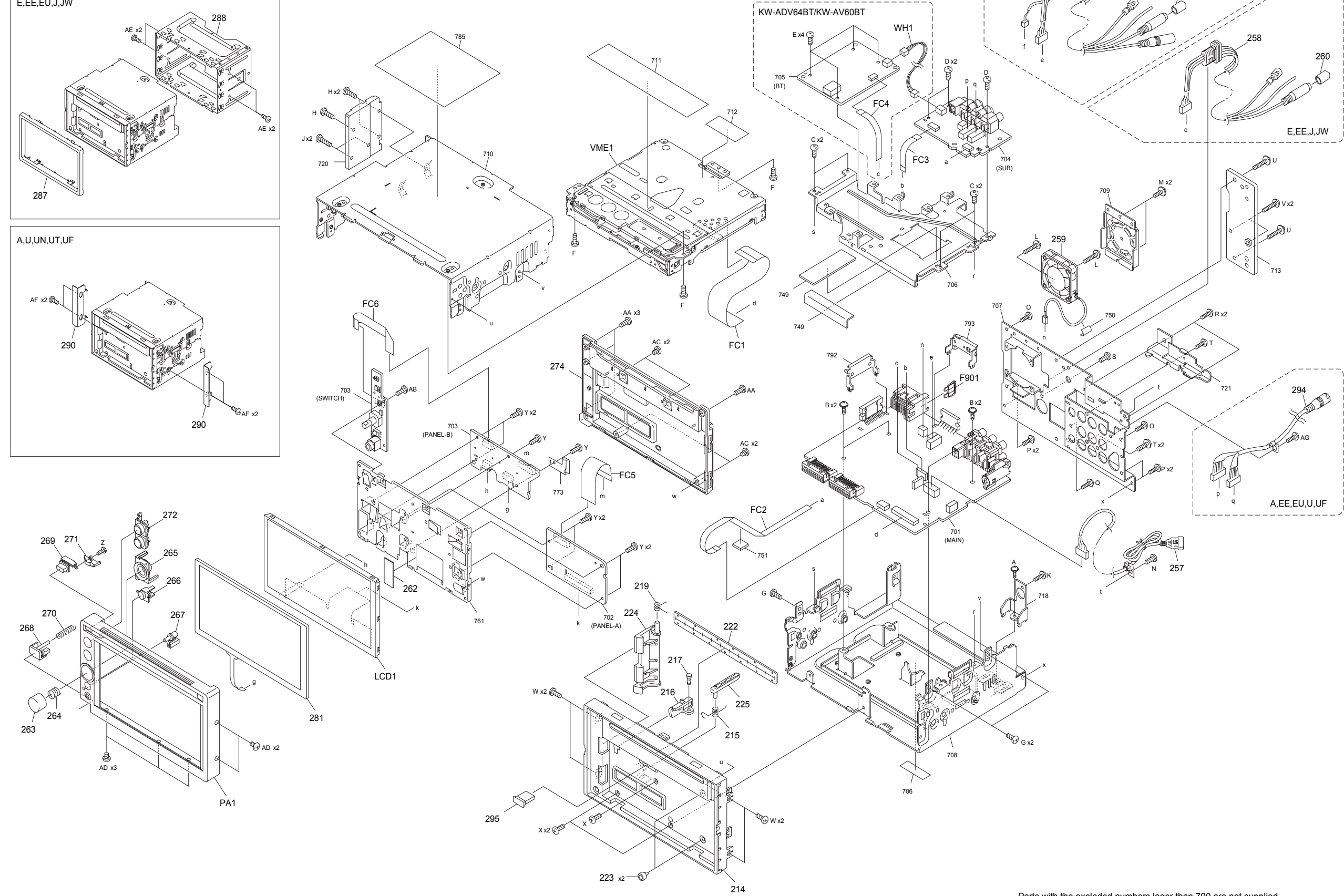
## ■ DEVIATION TOLERANCE RANGE

DEVIATION TOLERANCE RANGE									
F	G	J	K	M	N	R	H	Z	P
± 1%	± 2%	± 5%	±10%	±20%	±30%	+30% -10%	+50% -10%	+80% -20%	+100% -0%

# EXPLODED VIEW (UNIT)



Block No.M1MM



Parts with the exploded numbers larger than 700 are not supplied.

MODEL	MARK	MODEL	MARK	MODEL	MARK	MODEL	MARK
KW-ADV64BTJ	A	KW-AV60BTA	B	KW-AV60BTE	C	KW-AV60BTEE	D
KW-AV60BTEU	E	KW-AV60BTJ	F	KW-AV60BTU	G	KW-AV60E	H
KW-AV60EU	I	KW-AV60J	J	KW-AV60U	K	KW-AV60UF	L
KW-AV68BTJW	M						

Safe	Symbol No.	Parts No.	Parts Name	Description	QTY	Local
------	------------	-----------	------------	-------------	-----	-------

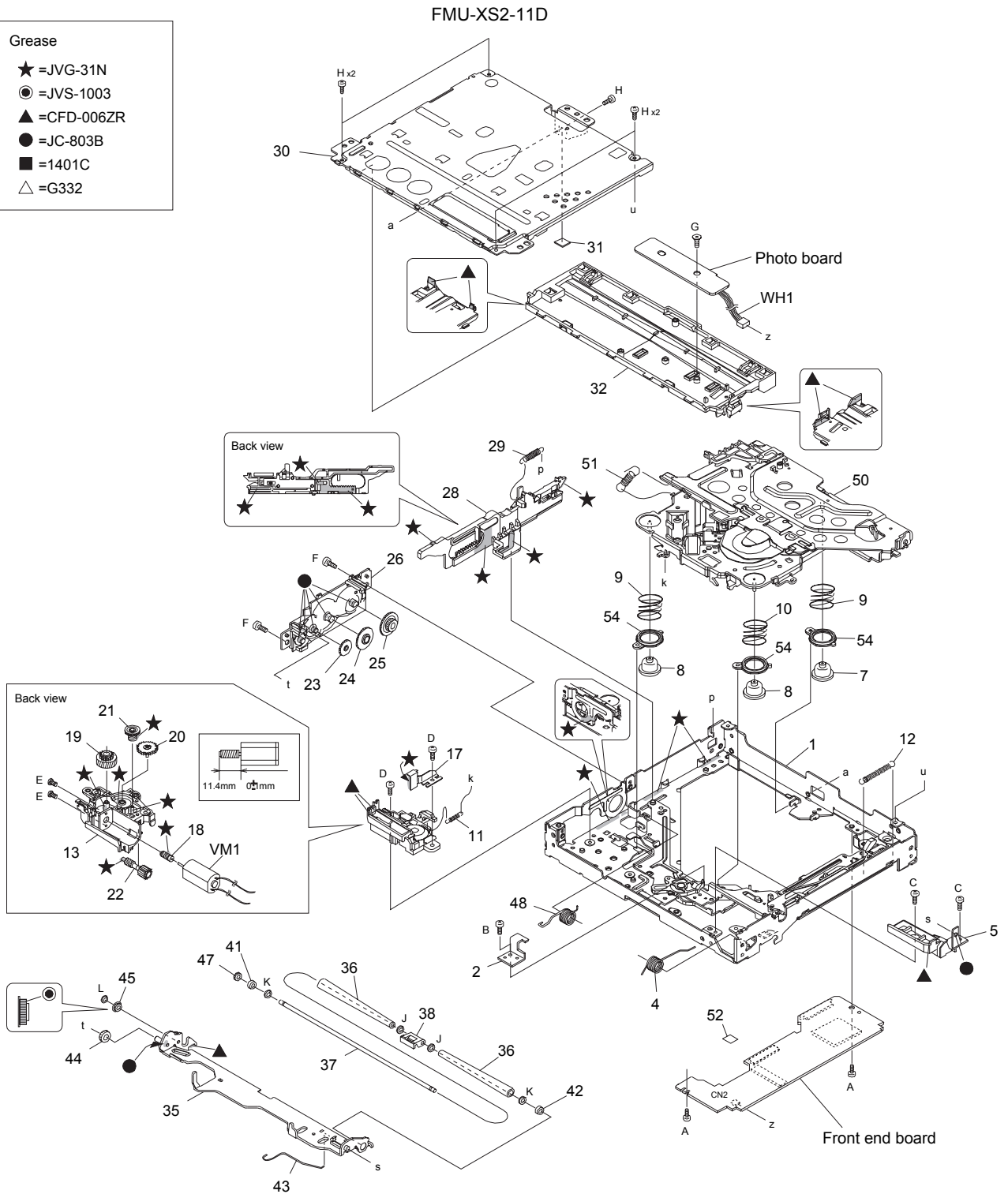
EXPLODED VIEW (UNIT) <M1MM>

△	F901	QMFZ064-100-J1	FUSE	10A	1	
	FC1	QUQY05-5013BC-E	FFC WIRE	50pin 13cm	1	
	FC2	QUQY05-1216BC-E	FFC WIRE	12pin 16cm	1	
	FC3	QUQY05-1405BC-E	FFC WIRE	14pin 5cm	1	
	FC4	QUQY05-1207BC-E	FFC WIRE	12pin 7cm	1	A,B,C,D,E,F,G,M
	FC5	QUQY05-3005BC-E	FFC WIRE	30pin 5cm	1	
	FC6	WJT0262-001A-E	E-CARD WIRE		1	
	LCD1	QLD0676-001	LCD MODULE		1	
	PA1	LV11725-015A	FRONT PANEL		1	A
	PA1	LV11725-013A	FRONT PANEL		1	B,C,D,E,G
	PA1	LV11725-012A	FRONT PANEL		1	F
	PA1	LV11725-017A	FRONT PANEL		1	H,I,K,L
	PA1	LV11725-016A	FRONT PANEL		1	J
	PA1	LV11725-014A	FRONT PANEL		1	M
	VME1	FMU-XS2-11D	DVD MECHANISM		1	
	VME1 or	FMU-XS2-31D	DVD MECHANISM		1	
	WH1	WJJ1184-001A-E	E-SI C WIRE C-C		1	A,B,C,D,E,F,G,M
	A	LV44615-003A	SPECIAL SCREW		1	
	B	LV44615-003A	SPECIAL SCREW		4	
	C	LV44615-003A	SPECIAL SCREW		4	
	D	LV44615-003A	SPECIAL SCREW		3	
	E	LV44615-003A	SPECIAL SCREW		4	A,B,C,D,E,F,G,M
	F	LV44800-004A	SPECIAL SCREW		3	
	G	LV44800-002A	SPECIAL SCREW		3	
	H	GE40377-003A	SPECIAL SCREW		3	
	J	LV41200-007A	SPECIAL SCREW		2	
	K	LV44800-002A	SPECIAL SCREW		1	
	L	LV45522-002A	SPECIAL SCREW		2	
	M	LV44800-002A	SPECIAL SCREW		2	
	N	LV44800-002A	SPECIAL SCREW		1	
	O	LV44800-002A	SPECIAL SCREW		2	
	P	LV44800-002A	SPECIAL SCREW		4	
	Q	LV44800-002A	SPECIAL SCREW		1	
	R	LV44800-002A	SPECIAL SCREW		2	
	S	LV44800-002A	SPECIAL SCREW		1	A,F,J
	T	QYSDSF3010ZA	TAP SCREW	M3 x 10mm	3	
	U	GE40377-003A	SPECIAL SCREW		2	
	V	QYSDST2610ZA	TAP SCREW	M2.6 x 10mm	2	
	W	QYSDST2004ZA	TAP SCREW	M2 x 4mm	4	
	X	QYSDST2006MA	TAP SCREW	M2 x 6mm	3	
	Y	LV44615-003A	SPECIAL SCREW		8	
	Z	VKZ4777-010	MINI SCREW		1	
	AA	VKZ4777-010	MINI SCREW		4	
	AB	LV44615-004A	SPECIAL SCREW		1	
	AC	LV44159-005A	MINI SCREW		4	
	AD	LV43819-009A	SPECIAL SCREW		5	
	AE	QYSSSP5008ZA	SCREW	M5 x 8mm	4	A,C,D,E,F,H,I,J,M
	AF	QYSDSP5008ZA	SCREW	M5 x 8mm	4	B,G,K,L
	AG	LV44800-002A	SPECIAL SCREW		1	B,D,E,G,I,K,L
	214	LV11724-001A	FRONT CHASSIS		1	A,B,C,D,E,F,G,M
	214	LV11724-002A	FRONT CHASSIS		1	H,I,J,K,L
	215	LV45282-001A	KICK SPRING		1	
	216	LV39081-001A	RELEASED LEVER		1	
	217	LV45503-001A	SHAFT(RELEASE)		1	
	219	LV45281-002A	LOCK SPRING		1	
	222	LV45134-003A	BLIND		1	
	223	LV44748-002A	DUMPER		2	
	224	LV22752-001A	LOCK LEVER		1	
	225	LV38632-001A	KICK LEVER		1	
	257	QAM1417-001	USB CABLE		1	
	258	QAM1415-001	CAR CABLE		1	A,C,D,F,H,J,M
	258	QAM1414-001	CAR CABLE		1	B,E,G,I,K,L
△	259	QAR0521-001	COOLING FAN		1	
	260	GE40101-001A	PIN CAP		1	
	262	LV44247-013A	SHIELD TIGHT		1	A,F,J
	263	LV39545-004A	VOL KNOB ASSY		1	A
	263	LV39545-003A	VOL KNOB ASSY		1	B,C,D,E,F,G,H,I,J,K,L,M
	264	GE40127-004A	KNOB SPRING		1	
	265	LV39083-001A	KNOB LENS		1	
	266	LV39084-001A	REMOTE LENS		1	
	267	LV39085-001A	RESET BUTTON		1	
	268	LV39087-001A	DETACH BUTTON		1	
	269	LV39086-001A	EJECT BUTTON		1	
	270	LV45283-001A	COMPRESSION SPRING		1	
	271	LV39088-003A	DISC LENS		1	
	272	LV39095-003A	BUTTON ASSY		1	
	274	LV11726-002A	REAR COVER		1	
	281	QAL1306-001	TOUCH PANEL		1	
	287	LV22463-005A	TRIM PLATE		1	A,C,D,E,F,H,I,J,M
	288	LV22812-002A	SLEEVE ASSY		1	A,C,D,E,F,H,I,J,M
	290	LV36544-001A	TRANSPORT BKT		2	B,G,K,L
	294	QAM1421-002	CAR CABLE		1	B,D,E,G,I,K,L
	295	QAU0526-002	RF MODULE		1	A,B,C,D,E,F,G,M

# EXPLODED VIEW (DVD MECHANISM: FMU-XS2-11D)

Block No.MJMM

- Grease
- ★ =JVG-31N
  - =JVS-1003
  - ▲ =CFD-006ZR
  - =JC-803B
  - =1401C
  - △ =G332



The parts without symbol number are not service.

MODEL	MARK	MODEL	MARK	MODEL	MARK	MODEL	MARK
KW-ADV64BTJ	A	KW-AV60BTA	B	KW-AV60BTE	C	KW-AV60BTEE	D
KW-AV60BTEU	E	KW-AV60BTJ	F	KW-AV60BTU	G	KW-AV60E	H
KW-AV60EU	I	KW-AV60J	J	KW-AV60U	K	KW-AV60UF	L
KW-AV68BTJW	M						

Safe	Symbol No.	Parts No.	Parts Name	Description	QTY	Local
------	------------	-----------	------------	-------------	-----	-------

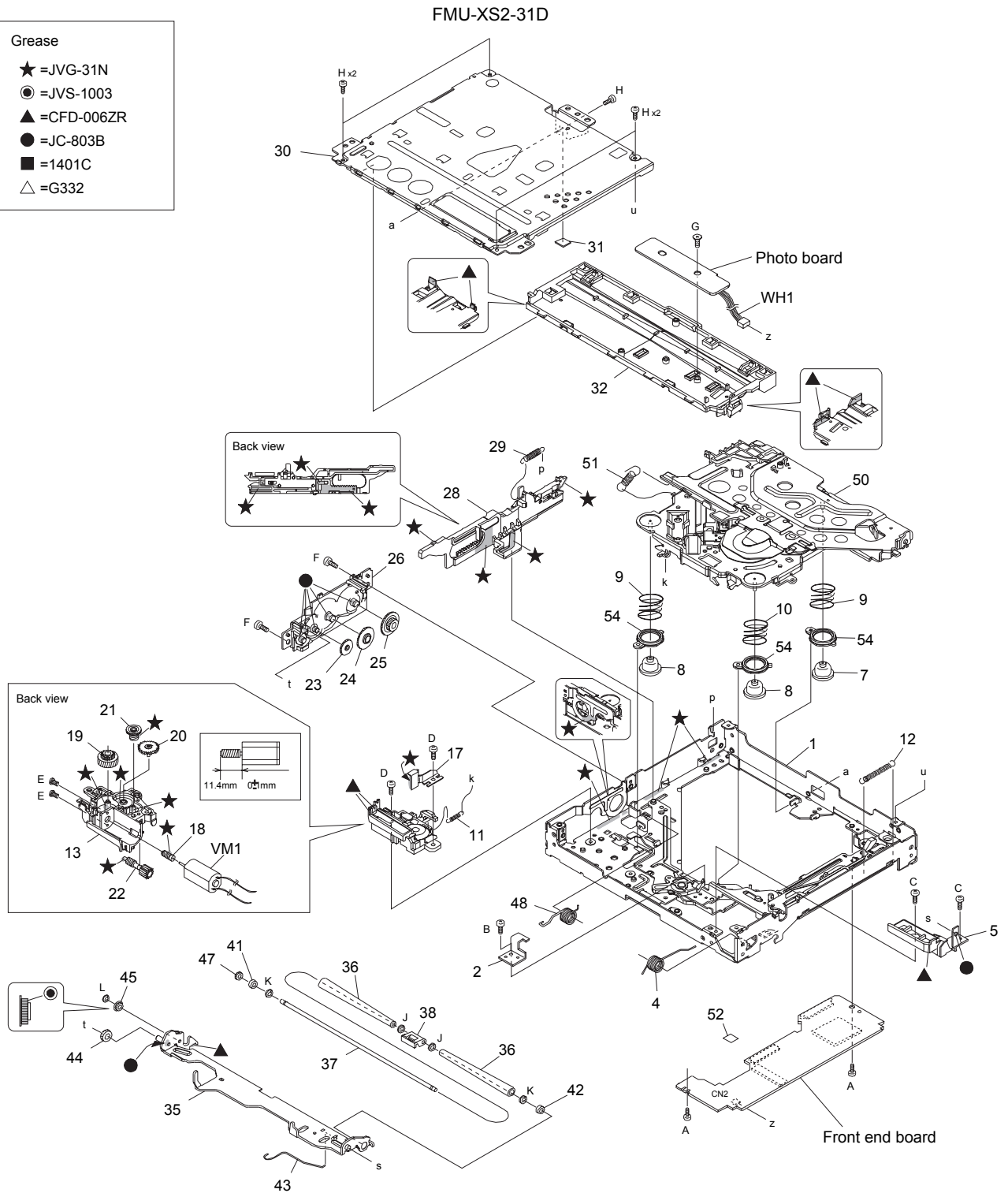
EXPLODED VIEW (DVD MECHANISM: FMU-XS2-11D) <MJMM>

VM1	QAR0531-001	LOADING MOTOR			1	
WH1	WJS0108-001A-E	E-FL/RB WIRE			1	
A	VKZ4539-054	MINI SCREW			2	
B	LV44959-002A	SPECIAL SCREW			1	
C	VKZ4539-054	MINI SCREW			2	
D	LV45135-001A	MINI TAP SCREW			2	
E	QYSPSPU1425MA	SCREW	M1.4 x 2.5mm		2	
F	VKZ4539-054	MINI SCREW			2	
G	LV44586-001A	SPECIAL SCREW			1	
H	VKZ4539-054	MINI SCREW			5	
J	LV45252-001A	WASHER			2	
K	LV44960-001A	SLIT WASHER			2	
L	QYWDL1735250	SLIT WASHER	3.5mm/1.7mm x 0.25mm		1	
1	LV11435-009A	MECHA FRAME			1	
2	LV45021-001A	STOPPER			1	
4	LV45249-002A	L A SPRING(R) 2			1	
5	LV37639-002A	L ARM HOLDER			1	
7	LV45639-002A	INSULATOR			1	
8	LV45639-001A	INSULATOR			2	
9	LV45074-001A	DAMPER SPRING B			2	
10	LV45073-001A	DAMPER SPRING A			1	
11	LV44897-002A	FLOATING SPRING			1	
12	LV44894-001A	LOCK SLIDER SPRING			1	
13	LV11436-001A	MOTOR HOLDER			1	
17	LV37642-001A	MOTOR TH SPRING			1	
18	LV37643-002A	MOTOR WORM GEAR			1	
19	LV37644-002A	M WHEEL GEAR			1	
20	LV37645-002A	M CONNECT GEAR			1	
21	LV37646-001A	A WORM GEAR			1	
22	LV37647-001A	A WHEEL GEAR			1	
23	LV37648-001A	ACT GEAR			1	
24	LV37649-001A	A CONNECT GAER			1	
25	LV37650-001A	LOAD GAER			1	
26	LV22553-003A	GEAR BASE			1	
28	LV37688-002A	SLIDE CAM ASSY			1	
29	LV45090-001A	S,CAM SPRING			1	
30	LV11437-003A	TOP COVER			1	
31	LV45157-001A	SPACER			1	
32	LV11600-001A	DISC PLATE 2			1	
35	LV22735-001A	LOADING A AS 2			1	
36	LV44902-002A	ROLLER			2	
37	LV45244-001A	ROLLER SHAFT 2			1	
38	LV37652-002A	SHAFT GUIDE			1	
41	LV44904-001A	ROLLER COLLAR L			1	
42	LV45221-001A	R. COLLAR R2			1	
43	LV45235-001A	L ARM ROD			1	
44	LV37653-001A	CONNECT GEAR			1	
45	LV37654-001A	MIDDLE GEAR			1	
47	LV37655-001A	ROLLER GAER			1	
48	LV45248-001A	L A SPRING(L) 2			1	
50	CM-FMUXD3D	TRA MECHA UNIT			1	
51	LV44910-002A	CLAMPER SPRING			1	
52	LV45289-002A	SPACER(P)			1	
54	LV39479-002A	INSULATOR CAP			3	

# EXPLODED VIEW (DVD MECHANISM: FMU-XS2-31D)

Block No.MUMM

- Grease
- ★ =JVG-31N
  - ◎ =JVS-1003
  - ▲ =CFD-006ZR
  - =JC-803B
  - =1401C
  - △ =G332



The parts without symbol number are not service.

MODEL	MARK	MODEL	MARK	MODEL	MARK	MODEL	MARK
KW-ADV64BTJ	A	KW-AV60BTA	B	KW-AV60BTE	C	KW-AV60BTEE	D
KW-AV60BTEU	E	KW-AV60BTJ	F	KW-AV60BTU	G	KW-AV60E	H
KW-AV60EU	I	KW-AV60J	J	KW-AV60U	K	KW-AV60UF	L
KW-AV68BTJW	M						

Safe	Symbol No.	Parts No.	Parts Name	Description	QTY	Local
------	------------	-----------	------------	-------------	-----	-------

EXPLODED VIEW (DVD MECHANISM: FMU-XS2-31D) <MUMM>

VM1	QAR0531-001	LOADING MOTOR			1	
WH1	WJM0515-001A-E	E-SI C WIRE C-F			1	
A	VKZ4539-054	MINI SCREW			2	
B	LV44959-002A	SPECIAL SCREW			1	
C	VKZ4539-054	MINI SCREW			2	
D	LV45135-001A	MINI TAP SCREW			2	
E	QYSPSPU1425MA	SCREW	M1.4 x 2.5mm		2	
F	VKZ4539-054	MINI SCREW			2	
G	LV44586-001A	SPECIAL SCREW			1	
H	VKZ4539-054	MINI SCREW			5	
J	LV45252-001A	WASHER			2	
K	LV44960-001A	SLIT WASHER			2	
L	QYWDL1735250	SLIT WASHER	3.5mm/1.7mm x 0.25mm		1	
1	LV11435-009A	MECHA FRAME			1	
2	LV45021-001A	STOPPER			1	
4	LV45249-002A	L A SPRING(R) 2			1	
5	LV37639-002A	L ARM HOLDER			1	
7	LV45639-002A	INSULATOR			1	
8	LV45639-001A	INSULATOR			2	
9	LV45074-001A	DAMPER SPRING B			2	
10	LV45073-001A	DAMPER SPRING A			1	
11	LV44897-002A	FLOATING SPRING			1	
12	LV44894-001A	LOCK SLIDER SPRING			1	
13	LV11436-001A	MOTOR HOLDER			1	
17	LV37642-001A	MOTOR TH SPRING			1	
18	LV37643-002A	MOTOR WORM GEAR			1	
19	LV37644-002A	M WHEEL GEAR			1	
20	LV37645-002A	M CONNECT GEAR			1	
21	LV37646-001A	A WORM GEAR			1	
22	LV37647-001A	A WHEEL GEAR			1	
23	LV37648-001A	ACT GEAR			1	
24	LV37649-001A	A CONNECT GAER			1	
25	LV37650-001A	LOAD GAER			1	
26	LV22553-003A	GEAR BASE			1	
28	LV37688-002A	SLIDE CAM ASSY			1	
29	LV45090-001A	S,CAM SPRING			1	
30	LV11437-003A	TOP COVER			1	
31	LV45157-001A	SPACER			1	
32	LV11600-001A	DISC PLATE 2			1	
35	LV22735-001A	LOADING A AS 2			1	
36	LV44902-002A	ROLLER			2	
37	LV45244-001A	ROLLER SHAFT 2			1	
38	LV37652-002A	SHAFT GUIDE			1	
41	LV44904-001A	ROLLER COLLAR L			1	
42	LV45221-001A	R. COLLAR R2			1	
43	LV45235-001A	L ARM ROD			1	
44	LV37653-001A	CONNECT GEAR			1	
45	LV37654-001A	MIDDLE GEAR			1	
47	LV37655-001A	ROLLER GAER			1	
48	LV45248-001A	L A SPRING(L) 2			1	
50	CM-FMUSD3D	TRA MECHA UNIT			1	
51	LV44910-002A	CLAMPER SPRING			1	
52	LV45289-002A	SPACER(P)			1	
54	LV39479-002A	INSULATOR CAP			3	

MAIN UNIT <01>

IC11	TEF6614TV1S3-X	IC			1	
IC101	TB2926CHQ	IC			1	
IC141	TDA7415CB	IC			1	
IC152	74AHC1G08GW-X	IC			1	A,B,D,E,F,G,I,J,K,L
IC153	74AHCT1G08GW-X	IC			1	A,B,D,E,F,G,I,J,K,L
IC161	TC74HCT4053AFTX	IC			1	
IC191	NJM4565E-X	IC			1	
IC261	NJM2584AM-X	IC			1	B,D,E,G,I,K,L
IC701	JVM551E	IC(MCU)			1	
IC721	R1EX24016ASAA-X	IC			1	
IC731	XC6120N242NG-X	IC			1	
IC801	LV5680P	IC			1	
IC802	BD9673EFJ-X	IC			1	
IC803	BA9743AFV-X	IC			1	
IC821	XC6213B332NG-X	IC			1	
IC831	BD9673EFJ-X	IC			1	
IC851	NJM2835DL1-15X	IC			1	
IC931	RT3J33M-X	MOS FET ARRAY			1	B,E,G,I,K,L
Q731	DRA9114E-X	DIGI TRANSISTOR			1	
Q791	2SA812A/5-6/-X	TRANSISTOR			1	
Q801	DRC9144E-X	DIGI TRANSISTOR			1	
Q802	DRA9144E-X	DIGI TRANSISTOR			1	
Q803	DRC9114E-X	DIGI TRANSISTOR			1	
Q804	DRA9114E-X	DIGI TRANSISTOR			1	
Q805	DRC9114E-X	DIGI TRANSISTOR			1	
Q821	DRA9114E-X	DIGI TRANSISTOR			1	
Q822	DRC9144E-X	DIGI TRANSISTOR			1	
Q871	MTM98140-X	TRANSISTOR			1	
Q872	DRA9114E-X	DIGI TRANSISTOR			1	
Q873	DRC9144E-X	DIGI TRANSISTOR			1	
Q874	DRC9114E-X	DIGI TRANSISTOR			1	
Q875	DRA9114E-X	DIGI TRANSISTOR			1	

MODEL	MARK	MODEL	MARK	MODEL	MARK	MODEL	MARK
KW-ADV64BTJ	A	KW-AV60BTA	B	KW-AV60BTE	C	KW-AV60BTEE	D
KW-AV60BTEU	E	KW-AV60BTJ	F	KW-AV60BTU	G	KW-AV60E	H
KW-AV60EU	I	KW-AV60J	J	KW-AV60U	K	KW-AV60UF	L
KW-AV68BTJW	M						

Safe	Symbol No.	Parts No.	Parts Name	Description	QTY	Local
	Q931	DRC9114Y-X	DIGI TRANSISTOR		1	B,E,G,I,K,L
	Q971	DSC5001/R/-X	TRANSISTOR		1	
	Q972	DSC5001/R/-X	TRANSISTOR		1	
	Q1121	DMC20402-W	PAIR TRANSISTOR		1	
	Q1221	DMC20402-W	PAIR TRANSISTOR		1	
	Q1301	DRC9114E-X	DIGI TRANSISTOR		1	
	Q1302	DRA9114E-X	DIGI TRANSISTOR		1	
	Q1401	INC2002AC1-X	TRANSISTOR		1	
	Q1501	DRA9114E-X	DIGI TRANSISTOR		1	
	Q1502	DSC5001/R/-X	TRANSISTOR		1	
	Q1503	DRA9114E-X	DIGI TRANSISTOR		1	
	Q1505	DRC9143Z-X	DIGI TRANSISTOR		1	
	Q1507	DRC9143Z-X	DIGI TRANSISTOR		1	
	Q1541	DRA9114E-X	DIGI TRANSISTOR		1	A,F,J
	Q1542	DRC9114Y-X	DIGI TRANSISTOR		1	A,F,J
	Q1942	DSC5001/R/-X	TRANSISTOR		1	
	Q1943	DRA9114Y-X	DIGI TRANSISTOR		1	
	Q1944	DSC5001/R/-X	TRANSISTOR		1	
	Q1951	RT1N141U-X	DIGI TRANSISTOR		1	
	Q1961	DRC9114E-X	DIGI TRANSISTOR		1	
	Q8021	DRC9114E-X	DIGI TRANSISTOR		1	
	Q8022	DRC9114E-X	DIGI TRANSISTOR		1	
	Q8101	TPC6110-X	MOS FET		1	
	Q8102	2SC1623A/5-6/-X	TRANSISTOR		1	
	Q8103	2SA812A/5-6/-X	TRANSISTOR		1	
	Q8104	DRC9114E-X	DIGI TRANSISTOR		1	
	Q8201	RTQ035N03-W	MOS FET		1	
	Q8202	2SA812A/5-6/-X	TRANSISTOR		1	
	Q8203	2SC1623A/5-6/-X	TRANSISTOR		1	
	Q8301	2SC1623A/5-6/-X	TRANSISTOR		1	
	D751	RKZ6.2B2KG-X	Z DIODE		1	
	D752	RKZ6.2B2KG-X	Z DIODE		1	
	D753	RKZ6.2B2KG-X	Z DIODE		1	
	D754	RKZ6.2B2KG-X	Z DIODE		1	
	D755	RKZ6.2B2KG-X	Z DIODE		1	
	D821	CRS03-W	SB DIODE		1	
	D871	RKZ18B2KG-X	Z DIODE		1	
	D901	1N5402-BPC04	SI DIODE		1	
	D902	GS1J-LTP-X	DIODE		1	C,E,H,I
	D931	RKZ18B2KG-X	Z DIODE		1	B,E,G,I,K,L
	D932	RKZ18B2KG-X	Z DIODE		1	B,E,G,I,K,L
	D935	RKS801KF-X	SI DIODE		1	B,E,G,I,K,L
	D936	RKS801KF-X	SI DIODE		1	B,E,G,I,K,L
	D971	RKZ6.8B2KG-X	Z DIODE		1	
	D972	RKZ6.8B2KG-X	Z DIODE		1	
	D1121	MC2836-X	DIODE		1	
	D1221	MC2836-X	DIODE		1	
	D1303	RKS801KF-X	SI DIODE		1	
	D1304	RKS801KF-X	SI DIODE		1	
	D1371	CRS03-W	SB DIODE		1	
	D1372	RKZ5.6B2KG-X	Z DIODE		1	
	D1401	MC2836-X	DIODE		1	
	D1402	MC2836-X	DIODE		1	
	D1403	MC2836-X	DIODE		1	
	D1501	MC2836-X	DIODE		1	
	D1502	MC2836-X	DIODE		1	
	D1503	MC2836-X	DIODE		1	
	D1911	CRS03-W	SB DIODE		1	
	D1912	CRS03-W	SB DIODE		1	
	D1921	MBRX130-TP-X	SB DIODE		1	A,B,F,G,J,K,L,M
	D1922	MBRX130-TP-X	SB DIODE		1	A,B,F,G,J,K,L,M
	D1931	MC2836-X	DIODE		1	
	D1941	RKS801KF-X	SI DIODE		1	
	D1961	RKZ18B2KG-X	Z DIODE		1	
	D1971	RKZ6.2B2KG-X	Z DIODE		1	
	D7301	RKS801KF-X	SI DIODE		1	
	D8001	RB051L-40-X	SB DIODE		1	
	D8011	CRS03-W	SB DIODE		1	
	D8021	RKZ6.2B2KG-X	Z DIODE		1	
	D8022	RKZ6.2B2KG-X	Z DIODE		1	
	D8031	RB051L-40-X	SB DIODE		1	
	D8101	RB051L-40-X	SB DIODE		1	
	D8106	RKZ6.2B2KG-X	Z DIODE		1	
	D8201	CRS03-W	SB DIODE		1	
	D8203	KDR720E-X	SB DIODE		1	
	D8204	KDR720E-X	SB DIODE		1	
	D8205	KDR720E-X	SB DIODE		1	
	D8301	RKS801KF-X	SI DIODE		1	
	D8501	RKS801KF-X	SI DIODE		1	
	C1	NCBA1HK-471W	C CAPACITOR	470pF 50V K	1	
	C8	NCA1HJ-270W	C CAPACITOR	27pF 50V J	1	
	C9	NCB31CK-224X	C CAPACITOR	0.22uF 16V K	1	
	C10	NCBA1CK-103W	C CAPACITOR	0.01uF 16V K	1	
	C12	NCBA1CK-103W	C CAPACITOR	0.01uF 16V K	1	
	C13	NCBA1AK-104W	C CAPACITOR	0.1uF 10V K	1	
	C14	NCBA1CK-103W	C CAPACITOR	0.01uF 16V K	1	
	C16	NCBA1CK-103W	C CAPACITOR	0.01uF 16V K	1	
	C17	QETN1CM-107Z	E CAPACITOR	100uF 16V M	1	

MODEL	MARK	MODEL	MARK	MODEL	MARK	MODEL	MARK
KW-ADV64BTJ	A	KW-AV60BTA	B	KW-AV60BTE	C	KW-AV60BTEE	D
KW-AV60BTEU	E	KW-AV60BTJ	F	KW-AV60BTU	G	KW-AV60E	H
KW-AV60EU	I	KW-AV60J	J	KW-AV60U	K	KW-AV60UF	L
KW-AV68BTJW	M						

Safe	Symbol No.	Parts No.	Parts Name	Description	QTY	Local
	C18	NCBA1AK-104W	C CAPACITOR	0.1uF 10V K	1	
	C19	NCB31CK-105X	C CAPACITOR	1uF 16V K	1	
	C20	NDCA1HJ-6R0W	C CAPACITOR	6pF 50V J	1	
	C21	NCBA1AK-104W	C CAPACITOR	0.1uF 10V K	1	
	C22	NCBA1HK-102W	C CAPACITOR	1000pF 50V K	1	
	C23	NDCA1HJ-100W	C CAPACITOR	10pF 50V J	1	
	C24	NCB31CK-224X	C CAPACITOR	0.22uF 16V K	1	
	C25	NCBA1CK-103W	C CAPACITOR	0.01uF 16V K	1	
	C26	NCB31CK-105X	C CAPACITOR	1uF 16V K	1	
	C27	NDCA1HJ-150W	C CAPACITOR	15pF 50V J	1	
	C29	NCBA1AK-104W	C CAPACITOR	0.1uF 10V K	1	
	C30	NCBA1CK-103W	C CAPACITOR	0.01uF 16V K	1	
	C42	NCBA1HK-102W	C CAPACITOR	1000pF 50V K	1	
	C45	NDCA1HJ-7R0W	C CAPACITOR	7pF 50V J	1	
	C46	NDCA1HJ-2R0W	C CAPACITOR	2pF 50V J	1	
	C50	NCB31HK-103X	C CAPACITOR	0.01uF 50V K	1	
	C260	NCB20JK-106X	C CAPACITOR	10uF 6.3V K	1	
	C262	NCB31CK-105X	C CAPACITOR	1uF 16V K	1	B,D,E,G,I,K,L
	C272	NCB31CK-105X	C CAPACITOR	1uF 16V K	1	B,D,E,G,I,K,L
	C282	NCB31CK-105X	C CAPACITOR	1uF 16V K	1	B,D,E,G,I,K,L
	C705	NCBA1AK-104W	C CAPACITOR	0.1uF 10V K	1	
	C713	NCBA1HK-102W	C CAPACITOR	1000pF 50V K	1	
	C714	NDCA1HJ-220W	C CAPACITOR	22pF 50V J	1	
	C715	NDCA1HJ-220W	C CAPACITOR	22pF 50V J	1	
	C717	NDCA1HJ-120W	C CAPACITOR	12pF 50V J	1	
	C718	NDCA1HJ-100W	C CAPACITOR	10pF 50V J	1	
	C723	QETN1AM-227Z	E CAPACITOR	220uF 10V M	1	
	C801	QEKJ1EM-106Z	E CAPACITOR	10uF 25V M	1	
	C802	QEKJ1EM-106Z	E CAPACITOR	10uF 25V M	1	A,B,F,G,J,K,L,M
	C803	QETN1AM-227Z	E CAPACITOR	220uF 10V M	1	
	C804	NCBA1AK-104W	C CAPACITOR	0.1uF 10V K	1	
	C805	NCBA1AK-104W	C CAPACITOR	0.1uF 10V K	1	
	C806	NCBA1AK-104W	C CAPACITOR	0.1uF 10V K	1	
	C807	NCB31CK-105X	C CAPACITOR	1uF 16V K	1	
	C808	QETN1EM-476Z	E CAPACITOR	47uF 25V M	1	
	C809	QETN1CM-227Z	E CAPACITOR	220uF 16V M	1	
	C810	NCB31HK-102X	C CAPACITOR	1000pF 50V K	1	
	C812	QETN1HM-226Z	E CAPACITOR	22uF 50V M	1	
	C816	NCB31HK-104X	C CAPACITOR	0.1uF 50V K	1	
	C820	NCB31HK-103X	C CAPACITOR	0.01uF 50V K	1	
	C821	QETN1CM-107Z	E CAPACITOR	100uF 16V M	1	
	C822	QEKJ1EM-106Z	E CAPACITOR	10uF 25V M	1	
	C871	NCBA1CK-103W	C CAPACITOR	0.01uF 16V K	1	
	C872	NCB31CK-334X	C CAPACITOR	0.33uF 16V K	1	
	C901	QE20769-278	E CAPACITOR	2700uF	1	
	C902	QEKJ1HM-225Z	E CAPACITOR	2.2uF 50V M	1	
	C904	QEKJ1HM-225Z	E CAPACITOR	2.2uF 50V M	1	
	C921	NCBA1HK-102W	C CAPACITOR	1000pF 50V K	1	
	C931	NCBA1CK-103W	C CAPACITOR	0.01uF 16V K	1	B,E,G,I,K,L
	C932	NCBA1CK-103W	C CAPACITOR	0.01uF 16V K	1	B,E,G,I,K,L
	C962	NCBA1CK-103W	C CAPACITOR	0.01uF 16V K	1	
	C1101	NDCA1HJ-101W	C CAPACITOR	100pF 50V J	1	
	C1102	NDCA1HJ-101W	C CAPACITOR	100pF 50V J	1	
	C1106	NCB31CK-224X	C CAPACITOR	0.22uF 16V K	1	
	C1111	NDCA1HJ-101W	C CAPACITOR	100pF 50V J	1	
	C1112	NDCA1HJ-101W	C CAPACITOR	100pF 50V J	1	
	C1116	NCB31CK-224X	C CAPACITOR	0.22uF 16V K	1	
	C1121	NDC31HJ-101X	C CAPACITOR	100pF 50V J	1	
	C1122	QEKJ1HM-475Z	E CAPACITOR	4.7uF 50V M	1	
	C1131	NDC31HJ-101X	C CAPACITOR	100pF 50V J	1	
	C1132	QEKJ1HM-475Z	E CAPACITOR	4.7uF 50V M	1	
	C1151	NDC31HJ-101X	C CAPACITOR	100pF 50V J	1	
	C1158	NCB31CK-105X	C CAPACITOR	1uF 16V K	1	A,F,J
	C1161	NCB31CK-105X	C CAPACITOR	1uF 16V K	1	
	C1162	QEKJ1HM-475Z	E CAPACITOR	4.7uF 50V M	1	
	C1163	NCB31CK-105X	C CAPACITOR	1uF 16V K	1	A,B,C,D,E,F,G,M
	C1164	NCB31CK-105X	C CAPACITOR	1uF 16V K	1	
	C1165	NCB31CK-105X	C CAPACITOR	1uF 16V K	1	
	C1166	NCB31CK-105X	C CAPACITOR	1uF 16V K	1	
	C1170	NCB31CK-105X	C CAPACITOR	1uF 16V K	1	
	C1191	QEKJ1EM-106Z	E CAPACITOR	10uF 25V M	1	
	C1192	QEKJ1EM-106Z	E CAPACITOR	10uF 25V M	1	
	C1193	NCBA1HK-471W	C CAPACITOR	470pF 50V K	1	
	C1194	NCBA1EK-682W	C CAPACITOR	6800pF 25V K	1	
	C1195	NCBA1HK-471W	C CAPACITOR	470pF 50V K	1	
	C1201	NDCA1HJ-101W	C CAPACITOR	100pF 50V J	1	
	C1202	NDCA1HJ-101W	C CAPACITOR	100pF 50V J	1	
	C1206	NCB31CK-224X	C CAPACITOR	0.22uF 16V K	1	
	C1211	NDCA1HJ-101W	C CAPACITOR	100pF 50V J	1	
	C1212	NDCA1HJ-101W	C CAPACITOR	100pF 50V J	1	
	C1216	NCB31CK-224X	C CAPACITOR	0.22uF 16V K	1	
	C1221	NDC31HJ-101X	C CAPACITOR	100pF 50V J	1	
	C1222	QEKJ1HM-475Z	E CAPACITOR	4.7uF 50V M	1	
	C1231	NDC31HJ-101X	C CAPACITOR	100pF 50V J	1	
	C1232	QEKJ1HM-475Z	E CAPACITOR	4.7uF 50V M	1	
	C1251	NDC31HJ-101X	C CAPACITOR	100pF 50V J	1	
	C1258	NCB31CK-105X	C CAPACITOR	1uF 16V K	1	A,F,J

MODEL	MARK	MODEL	MARK	MODEL	MARK	MODEL	MARK
KW-ADV64BTJ	A	KW-AV60BTA	B	KW-AV60BTE	C	KW-AV60BTEE	D
KW-AV60BTEU	E	KW-AV60BTJ	F	KW-AV60BTU	G	KW-AV60E	H
KW-AV60EU	I	KW-AV60J	J	KW-AV60U	K	KW-AV60UF	L
KW-AV68BTJW	M						

Safe	Symbol No.	Parts No.	Parts Name	Description	QTY	Local
	C1261	NCB31CK-105X	C CAPACITOR	1uF 16V K	1	
	C1262	QEKJ1HM-475Z	E CAPACITOR	4.7uF 50V M	1	
	C1263	NCB31CK-105X	C CAPACITOR	1uF 16V K	1	A,B,C,D,E,F,G,M
	C1264	NCB31CK-105X	C CAPACITOR	1uF 16V K	1	
	C1265	NCB31CK-105X	C CAPACITOR	1uF 16V K	1	
	C1266	NCB31CK-105X	C CAPACITOR	1uF 16V K	1	
	C1270	NCB31CK-105X	C CAPACITOR	1uF 16V K	1	
	C1291	QEKJ1EM-106Z	E CAPACITOR	10uF 25V M	1	
	C1292	QEKJ1EM-106Z	E CAPACITOR	10uF 25V M	1	
	C1293	NCBA1HK-471W	C CAPACITOR	470pF 50V K	1	
	C1294	NCBA1EK-682W	C CAPACITOR	6800pF 25V K	1	
	C1295	NCBA1HK-471W	C CAPACITOR	470pF 50V K	1	
	C1301	NCBA1CK-103W	C CAPACITOR	0.01uF 16V K	1	
	C1303	NDCA1HJ-820W	C CAPACITOR	82pF 50V J	1	
	C1304	NCB31CK-105X	C CAPACITOR	1uF 16V K	1	
	C1306	QEKJ1EM-106Z	E CAPACITOR	10uF 25V M	1	
	C1308	NDCA1HJ-820W	C CAPACITOR	82pF 50V J	1	
	C1309	NCB31HK-103X	C CAPACITOR	0.01uF 50V K	1	
	C1312	NCB31CK-105X	C CAPACITOR	1uF 16V K	1	
	C1313	NCB31CK-105X	C CAPACITOR	1uF 16V K	1	
	C1351	NCB31CK-473X	C CAPACITOR	0.047uF 16V K	1	
	C1353	NCB31HK-104X	C CAPACITOR	0.1uF 50V K	1	A,F,J
	C1354	NCBA1CK-103W	C CAPACITOR	0.01uF 16V K	1	A,B,D,E,F,G,I,J,K,L
	C1355	NCBA1CK-103W	C CAPACITOR	0.01uF 16V K	1	A,B,D,E,F,G,I,J,K,L
	C1358	NCJ21CK-106X-R	C CAPACITOR	10uF 16V K	1	A,F,J
	C1360	NCB31CK-473X	C CAPACITOR	0.047uF 16V K	1	
	C1364	NCB31CK-105X	C CAPACITOR	1uF 16V K	1	
	C1365	NCB31CK-105X	C CAPACITOR	1uF 16V K	1	
	C1367	NDCA1HJ-330W	C CAPACITOR	33pF 50V J	1	
	C1368	QEKJ1EM-106Z	E CAPACITOR	10uF 25V M	1	
	C1369	NCB31CK-105X	C CAPACITOR	1uF 16V K	1	
	C1370	NCJ21CK-106X-R	C CAPACITOR	10uF 16V K	1	
	C1371	QETN1CM-107Z	E CAPACITOR	100uF 16V M	1	
	C1373	QEKJ1HM-105Z	E CAPACITOR	1uF 50V M	1	
	C1374	NCB31AK-474X	C CAPACITOR	0.47uF 10V K	1	
	C1375	QEKJ1HM-105Z	E CAPACITOR	1uF 50V M	1	
	C1376	NCB31AK-474X	C CAPACITOR	0.47uF 10V K	1	
	C1378	QEKJ1EM-106Z	E CAPACITOR	10uF 25V M	1	
	C1380	NCB31CK-105X	C CAPACITOR	1uF 16V K	1	
	C1391	QETN1EM-476Z	E CAPACITOR	47uF 25V M	1	
	C1392	QEKJ1EM-106Z	E CAPACITOR	10uF 25V M	1	
	C1393	QEKJ1EM-106Z	E CAPACITOR	10uF 25V M	1	
	C1400	NDC31HJ-101X	C CAPACITOR	100pF 50V J	1	
	C1401	NCB31HK-102X	C CAPACITOR	1000pF 50V K	1	
	C1402	QEKJ1EM-106Z	E CAPACITOR	10uF 25V M	1	
	C1602	NCBA1HK-102W	C CAPACITOR	1000pF 50V K	1	
	C1603	QEKJ1CM-226Z	E CAPACITOR	22uF 16V M	1	
	C1604	QEKJ1CM-226Z	E CAPACITOR	22uF 16V M	1	
	C1911	NCB31HK-104X	C CAPACITOR	0.1uF 50V K	1	
	C1932	NCB31HK-104X	C CAPACITOR	0.1uF 50V K	1	
	C1944	NCB31AK-225X	C CAPACITOR	2.2uF 10V K	1	
	C1952	QEKJ1CM-226Z	E CAPACITOR	22uF 16V M	1	
	C1963	QEKJ1EM-106Z	E CAPACITOR	10uF 25V M	1	
	C6221	NCBA1CK-103W	C CAPACITOR	0.01uF 16V K	1	
	C6222	NCBA1CK-103W	C CAPACITOR	0.01uF 16V K	1	
	C7088	NCBA1CK-103W	C CAPACITOR	0.01uF 16V K	1	
	C7089	NCB31HK-103X	C CAPACITOR	0.01uF 50V K	1	
	C7092	NCB31HK-103X	C CAPACITOR	0.01uF 50V K	1	
	C7093	NCB31HK-103X	C CAPACITOR	0.01uF 50V K	1	
	C7095	NCBA1CK-103W	C CAPACITOR	0.01uF 16V K	1	
	C7104	NCBA1CK-103W	C CAPACITOR	0.01uF 16V K	1	
	C7106	NCBA1CK-103W	C CAPACITOR	0.01uF 16V K	1	
	C7107	NCBA1CK-103W	C CAPACITOR	0.01uF 16V K	1	
	C7108	NCBA1CK-103W	C CAPACITOR	0.01uF 16V K	1	
	C7109	NCBA1CK-103W	C CAPACITOR	0.01uF 16V K	1	
	C7121	NCBA1CK-103W	C CAPACITOR	0.01uF 16V K	1	
	C7126	NCBA1CK-103W	C CAPACITOR	0.01uF 16V K	1	
	C7128	NCBA1CK-103W	C CAPACITOR	0.01uF 16V K	1	
	C7301	NCBA1CK-103W	C CAPACITOR	0.01uF 16V K	1	
	C7302	NCB31CK-105X	C CAPACITOR	1uF 16V K	1	
	C8003	QEKJ1EM-476Z	E CAPACITOR	47uF 25V M	1	
	C8004	NCJ11EK-106X-R	C CAPACITOR	10uF 25V	1	
	C8005	NCBA1CK-104W	C CAPACITOR	0.1uF 16V K	1	
	C8006	NCBA1HK-682W	C CAPACITOR	6800pF 50V K	1	
	C8008	NCB20JK-106X	C CAPACITOR	10uF 6.3V K	1	
	C8009	QETN1AM-477Z	E CAPACITOR	470uF 10V M	1	
	C8010	NCB20JK-106X	C CAPACITOR	10uF 6.3V K	1	
	C8011	NCBA1HK-102W	C CAPACITOR	1000pF 50V K	1	
	C8033	QEKJ1EM-476Z	E CAPACITOR	47uF 25V M	1	
	C8034	NCJ11EK-106X-R	C CAPACITOR	10uF 25V	1	
	C8035	NCBA1CK-104W	C CAPACITOR	0.1uF 16V K	1	
	C8036	NCBA1HK-682W	C CAPACITOR	6800pF 50V K	1	
	C8038	NCB20JK-106X	C CAPACITOR	10uF 6.3V K	1	
	C8039	QEKJ0JM-337Z	E CAPACITOR	330uF 6.3V M	1	
	C8041	NCBA1HK-102W	C CAPACITOR	1000pF 50V K	1	
	C8101	NCB31AK-334X	C CAPACITOR	0.33uF 10V K	1	
	C8103	NCBA1HK-102W	C CAPACITOR	1000pF 50V K	1	
	C8106	NCJ11EK-106X-R	C CAPACITOR	10uF 25V	1	

MODEL	MARK	MODEL	MARK	MODEL	MARK	MODEL	MARK
KW-ADV64BTJ	A	KW-AV60BTA	B	KW-AV60BTE	C	KW-AV60BTEE	D
KW-AV60BTEU	E	KW-AV60BTJ	F	KW-AV60BTU	G	KW-AV60E	H
KW-AV60EU	I	KW-AV60J	J	KW-AV60U	K	KW-AV60UF	L
KW-AV68BTJW	M						

Safe	Symbol No.	Parts No.	Parts Name	Description	QTY	Local
	C8107	NCB20JK-106X	C CAPACITOR	10uF 6.3V K	1	
	C8108	QETN1AM-477Z	E CAPACITOR	470uF 10V M	1	
	C8201	NCB31AK-474X	C CAPACITOR	0.47uF 10V K	1	
	C8203	NCBA1HK-222W	C CAPACITOR	2200pF 50V K	1	
	C8204	NCB31HK-682X	C CAPACITOR	6800pF 50V K	1	
	C8205	NCBA1HK-391W	C CAPACITOR	390pF 50V K	1	
	C8206	NCJ11EK-106X-R	C CAPACITOR	10uF 25V	1	
	C8207	NCJ11EK-106X-R	C CAPACITOR	10uF 25V	1	
	C8208	QETN1HM-107Z	E CAPACITOR	100uF 50V M	1	
	C8209	NCJ11EK-106X-R	C CAPACITOR	10uF 25V	1	
	C8210	NCB31HK-104X	C CAPACITOR	0.1uF 50V K	1	
	C8213	QETN1HM-226Z	E CAPACITOR	22uF 50V M	1	
	C8301	NCBA1AK-104W	C CAPACITOR	0.1uF 10V K	1	
	C8302	NCBA1HK-272W	C CAPACITOR	2700pF 50V K	1	
	C8303	NCBA1AK-104W	C CAPACITOR	0.1uF 10V K	1	
	C8304	NCBA1HK-102W	C CAPACITOR	1000pF 50V K	1	
	C8306	NCB31CK-105X	C CAPACITOR	1uF 16V K	1	
	C8501	NCB21EK-334X	C CAPACITOR	0.33uF 25V K	1	
	C8502	QEKJ1CM-226Z	E CAPACITOR	22uF 16V M	1	
	R1	NRSA63J-0R0X	MG RESISTOR	0Ω 1/10W J	1	B,C,D,E,G,H,I,K,L,M
	R14	NRSA6AJ-472W	MG RESISTOR	4.7kΩ 1/16W J	1	
	R16	NRSA6AJ-684W	MG RESISTOR	680kΩ 1/16W J	1	
	R19	NRSA6AJ-101W	MG RESISTOR	100Ω 1/16W J	1	
	R21	NRS181J-220X	MG RESISTOR	22Ω 1/8W J	1	
	R22	NRSA6AJ-684W	MG RESISTOR	680kΩ 1/16W J	1	
	R23	NRSA6AJ-101W	MG RESISTOR	100Ω 1/16W J	1	
	R262	NRSA6AD-151W	MG RESISTOR	150Ω 1/16W D	1	
	R264	NRSA6AJ-470W	MG RESISTOR	47Ω 1/16W J	1	B,D,E,G,I,K,L
	R265	NRSA6AJ-470W	MG RESISTOR	47Ω 1/16W J	1	B,D,E,G,I,K,L
	R266	NRSA6AJ-470W	MG RESISTOR	47Ω 1/16W J	1	B,D,E,G,I,K,L
	R267	NRSA6AJ-470W	MG RESISTOR	47Ω 1/16W J	1	A,C,F,H,J,M
	R268	NRSA6AJ-470W	MG RESISTOR	47Ω 1/16W J	1	A,C,F,H,J,M
	R269	NRSA6AJ-470W	MG RESISTOR	47Ω 1/16W J	1	A,C,F,H,J,M
	R272	NRSA6AD-151W	MG RESISTOR	150Ω 1/16W D	1	
	R282	NRSA6AD-151W	MG RESISTOR	150Ω 1/16W D	1	
	R700	NRSA6AJ-221W	MG RESISTOR	220Ω 1/16W J	1	
	R701	NRSA6AJ-123W	MG RESISTOR	12kΩ 1/16W J	1	B,C,D,E,G,H,I,K,L,M
	R702	NRSA6AJ-123W	MG RESISTOR	12kΩ 1/16W J	1	A,F,J
	R702	NRSA6AJ-912W	MG RESISTOR	9.1kΩ 1/16W J	1	B,G,K,L
	R702	NRSA6AJ-332W	MG RESISTOR	3.3kΩ 1/16W J	1	C,H
	R702	NRSA6AJ-622W	MG RESISTOR	6.2kΩ 1/16W J	1	D
	R702	NRSA6AJ-153W	MG RESISTOR	15kΩ 1/16W J	1	E,I
	R702	NRSA6AJ-152W	MG RESISTOR	1.5kΩ 1/16W J	1	M
	R704	NRSA6AJ-123W	MG RESISTOR	12kΩ 1/16W J	1	
	R707	NRSA6AJ-473W	MG RESISTOR	47kΩ 1/16W J	1	
	R708	NRSA6AJ-105W	MG RESISTOR	1MΩ 1/16W J	1	
	R709	NRSA6AJ-223W	MG RESISTOR	22kΩ 1/16W J	1	
	R711	NRSA6AJ-123W	MG RESISTOR	12kΩ 1/16W J	1	
	R712	NRSA63J-123X	MG RESISTOR	12kΩ 1/16W J	1	
	R714	NRSA6AJ-0R0W	MG RESISTOR	0Ω 1/16W J	1	
	R715	NRSA6AJ-106W	MG RESISTOR	10MΩ 1/16W J	1	
	R722	NRSA6AJ-123W	MG RESISTOR	12kΩ 1/16W J	1	
	R723	NRSA6AJ-123W	MG RESISTOR	12kΩ 1/16W J	1	B,E,G,I,K,L
	R724	NRSA6AJ-123W	MG RESISTOR	12kΩ 1/16W J	1	A,C,D,F,H,J,M
	R725	NRSA6AJ-473W	MG RESISTOR	47kΩ 1/16W J	1	A,F,J
	R725	NRSA6AJ-223W	MG RESISTOR	22kΩ 1/16W J	1	C,H,M
	R726	NRSA6AJ-473W	MG RESISTOR	47kΩ 1/16W J	1	B,D,E,G,I,K,L
	R726	NRSA6AJ-223W	MG RESISTOR	22kΩ 1/16W J	1	C,H,M
	R729	NRSA63J-473X	MG RESISTOR	47kΩ 1/16W J	1	
	R734	NRSA6AJ-472W	MG RESISTOR	4.7kΩ 1/16W J	1	
	R735	NRSA6AJ-472W	MG RESISTOR	4.7kΩ 1/16W J	1	
	R740	NRSA6AJ-473W	MG RESISTOR	47kΩ 1/16W J	1	H,I,J,K,L
	R741	NRSA6AJ-473W	MG RESISTOR	47kΩ 1/16W J	1	A,B,C,D,E,F,G,M
	R743	NRSA6AJ-104W	MG RESISTOR	100kΩ 1/16W J	1	
	R747	NRSA6AJ-473W	MG RESISTOR	47kΩ 1/16W J	1	
	R749	NRSA6AJ-473W	MG RESISTOR	47kΩ 1/16W J	1	A,B,C,D,E,F,G,H,I,J,K,L
	R750	NRSA6AJ-473W	MG RESISTOR	47kΩ 1/16W J	1	M
	R752	NRSA6AJ-473W	MG RESISTOR	47kΩ 1/16W J	1	A,B,C,D,E,F,G,M
	R753	NRSA6AJ-473W	MG RESISTOR	47kΩ 1/16W J	1	H,I,J,K,L
	R757	NRSA6AJ-473W	MG RESISTOR	47kΩ 1/16W J	1	
	R765	NRSA6AJ-472W	MG RESISTOR	4.7kΩ 1/16W J	1	
	R766	NRSA6AJ-472W	MG RESISTOR	4.7kΩ 1/16W J	1	
	R774	NRSA6AJ-473W	MG RESISTOR	47kΩ 1/16W J	1	
	R776	NRSA6AJ-472W	MG RESISTOR	4.7kΩ 1/16W J	1	
	R777	NRSA6AJ-272W	MG RESISTOR	2.7kΩ 1/16W J	1	
	R780	NRSA6AJ-103W	MG RESISTOR	10kΩ 1/16W J	1	
	R781	NRSA6AJ-103W	MG RESISTOR	10kΩ 1/16W J	1	
	R790	NRSA6AJ-223W	MG RESISTOR	22kΩ 1/16W J	1	
	R792	NRSA6AJ-223W	MG RESISTOR	22kΩ 1/16W J	1	
	R796	NRSA6AJ-473W	MG RESISTOR	47kΩ 1/16W J	1	
	R797	NRSA6AJ-473W	MG RESISTOR	47kΩ 1/16W J	1	
	R798	NRSA6AJ-473W	MG RESISTOR	47kΩ 1/16W J	1	
	R799	NRSA6AJ-474W	MG RESISTOR	470kΩ 1/16W J	1	
	R800	NRSA6AJ-0R0W	MG RESISTOR	0Ω 1/16W J	1	
	R801	NRSA63D-103X	MG RESISTOR	10kΩ 1/16W D	1	
	R803	NRSA63D-562X	MG RESISTOR	5.6kΩ 1/16W D	1	
	R806	NRSA6AD-472W	MG RESISTOR	4.7kΩ 1/16W D	1	

MODEL	MARK	MODEL	MARK	MODEL	MARK	MODEL	MARK
KW-ADV64BTJ	A	KW-AV60BTA	B	KW-AV60BTE	C	KW-AV60BTEE	D
KW-AV60BTEU	E	KW-AV60BTJ	F	KW-AV60BTU	G	KW-AV60E	H
KW-AV60EU	I	KW-AV60J	J	KW-AV60U	K	KW-AV60UF	L
KW-AV68BTJW	M						

Safe	Symbol No.	Parts No.	Parts Name	Description	QTY	Local
	R807	NRSA6AD-273W	MG RESISTOR	27kΩ 1/16W D	1	
	R808	NRSA6AJ-331W	MG RESISTOR	330Ω 1/16W J	1	
	R809	NRSA6AJ-821W	MG RESISTOR	820Ω 1/16W J	1	
	R813	NRSA6AJ-271W	MG RESISTOR	270Ω 1/16W J	1	
	R815	NRSA02J-0R0X	MG RESISTOR	0Ω 1/10W J	1	A,B,F,G,J,K,L,M
	R871	NRSA6AJ-223W	MG RESISTOR	22kΩ 1/16W J	1	
	R872	NRSA6AJ-103W	MG RESISTOR	10kΩ 1/16W J	1	
	R873	NRSA6AJ-471W	MG RESISTOR	470Ω 1/16W J	1	
	R874	NRSA6AJ-472W	MG RESISTOR	4.7kΩ 1/16W J	1	
	R875	NRSA6AJ-103W	MG RESISTOR	10kΩ 1/16W J	1	
	R923	NRSA02J-0R0X	MG RESISTOR	0Ω 1/10W J	1	
	R931	NRSA02J-470X	MG RESISTOR	47Ω 1/10W J	1	B,E,G,I,K,L
	R932	NRSA02J-470X	MG RESISTOR	47Ω 1/10W J	1	B,E,G,I,K,L
	R933	NRSA6AD-472W	MG RESISTOR	4.7kΩ 1/16W D	1	B,E,G,I,K,L
	R934	NRSA6AD-472W	MG RESISTOR	4.7kΩ 1/16W D	1	B,E,G,I,K,L
	R935	NRSA02D-241X	MG RESISTOR	240Ω 1/10W D	1	B,E,G,I,K,L
	R936	NRSA02D-241X	MG RESISTOR	240Ω 1/10W D	1	B,E,G,I,K,L
	R937	NRSA6AJ-104W	MG RESISTOR	100kΩ 1/16W J	1	B,E,G,I,K,L
	R938	NRSA6AJ-104W	MG RESISTOR	100kΩ 1/16W J	1	B,E,G,I,K,L
	R939	NRSA6AJ-102W	MG RESISTOR	1kΩ 1/16W J	1	B,E,G,I,K,L
	R940	NRSA6AJ-102W	MG RESISTOR	1kΩ 1/16W J	1	B,E,G,I,K,L
	R941	NRSA6AJ-152W	MG RESISTOR	1.5kΩ 1/16W J	1	B,E,G,I,K,L
	R942	NRSA6AJ-152W	MG RESISTOR	1.5kΩ 1/16W J	1	B,E,G,I,K,L
	R943	NRSA6AJ-681W	MG RESISTOR	680Ω 1/16W J	1	B,E,G,I,K,L
	R944	NRSA6AJ-681W	MG RESISTOR	680Ω 1/16W J	1	B,E,G,I,K,L
	R945	NRSA02D-271X	MG RESISTOR	270Ω 1/10W D	1	B,E,G,I,K,L
	R946	NRSA02D-271X	MG RESISTOR	270Ω 1/10W D	1	B,E,G,I,K,L
	R961	NRSA6AJ-751W	MG RESISTOR	750Ω 1/16W J	1	
	R971	NRSA02J-683X	MG RESISTOR	68kΩ 1/10W J	1	
	R972	NRSA02J-473X	MG RESISTOR	47kΩ 1/10W J	1	
	R973	NRSA6AJ-153W	MG RESISTOR	15kΩ 1/16W J	1	
	R974	NRSA6AJ-473W	MG RESISTOR	47kΩ 1/16W J	1	
	R975	NRSA6AJ-103W	MG RESISTOR	10kΩ 1/16W J	1	
	R976	NRSA6AJ-822W	MG RESISTOR	8.2kΩ 1/16W J	1	
	R1101	NRSA6AJ-0R0W	MG RESISTOR	0Ω 1/16W J	1	
	R1102	NRSA6AJ-121W	MG RESISTOR	120Ω 1/16W J	1	
	R1103	NRSA6AJ-0R0W	MG RESISTOR	0Ω 1/16W J	1	
	R1110	NRSA6AJ-0R0W	MG RESISTOR	0Ω 1/16W J	1	B,D,E,G,I,K,L
	R1111	NRSA6AJ-0R0W	MG RESISTOR	0Ω 1/16W J	1	
	R1112	NRSA6AJ-121W	MG RESISTOR	120Ω 1/16W J	1	
	R1113	NRSA6AJ-0R0W	MG RESISTOR	0Ω 1/16W J	1	
	R1121	NRSA02J-101X	MG RESISTOR	100Ω 1/10W J	1	
	R1122	NRSA63J-473X	MG RESISTOR	47kΩ 1/16W J	1	
	R1123	NRSA6AJ-471W	MG RESISTOR	470Ω 1/16W J	1	
	R1124	NRSA6AJ-222W	MG RESISTOR	2.2kΩ 1/16W J	1	
	R1131	NRSA02J-101X	MG RESISTOR	100Ω 1/10W J	1	
	R1132	NRSA63J-473X	MG RESISTOR	47kΩ 1/16W J	1	
	R1133	NRSA6AJ-471W	MG RESISTOR	470Ω 1/16W J	1	
	R1134	NRSA6AJ-222W	MG RESISTOR	2.2kΩ 1/16W J	1	
	R1151	NRSA63J-222X	MG RESISTOR	2.2kΩ 1/16W J	1	
	R1152	NRSA63J-473X	MG RESISTOR	47kΩ 1/16W J	1	
	R1154	NRSA02J-101X	MG RESISTOR	100Ω 1/10W J	1	A,F,J
	R1161	NRSA6AJ-473W	MG RESISTOR	47kΩ 1/16W J	1	
	R1162	NRSA6AJ-473W	MG RESISTOR	47kΩ 1/16W J	1	
	R1166	NRSA63J-222X	MG RESISTOR	2.2kΩ 1/16W J	1	
	R1191	NRSA6AJ-472W	MG RESISTOR	4.7kΩ 1/16W J	1	
	R1192	NRSA6AJ-472W	MG RESISTOR	4.7kΩ 1/16W J	1	
	R1193	NRSA6AJ-472W	MG RESISTOR	4.7kΩ 1/16W J	1	
	R1194	NRSA6AJ-101W	MG RESISTOR	100Ω 1/16W J	1	
	R1195	NRSA6AJ-101W	MG RESISTOR	100Ω 1/16W J	1	
	R1196	NRSA6AJ-472W	MG RESISTOR	4.7kΩ 1/16W J	1	
	R1201	NRSA6AJ-0R0W	MG RESISTOR	0Ω 1/16W J	1	
	R1202	NRSA6AJ-121W	MG RESISTOR	120Ω 1/16W J	1	
	R1203	NRSA6AJ-0R0W	MG RESISTOR	0Ω 1/16W J	1	
	R1210	NRSA6AJ-0R0W	MG RESISTOR	0Ω 1/16W J	1	B,D,E,G,I,K,L
	R1211	NRSA6AJ-0R0W	MG RESISTOR	0Ω 1/16W J	1	
	R1212	NRSA6AJ-121W	MG RESISTOR	120Ω 1/16W J	1	
	R1213	NRSA6AJ-0R0W	MG RESISTOR	0Ω 1/16W J	1	
	R1221	NRSA02J-101X	MG RESISTOR	100Ω 1/10W J	1	
	R1222	NRSA63J-473X	MG RESISTOR	47kΩ 1/16W J	1	
	R1223	NRSA6AJ-471W	MG RESISTOR	470Ω 1/16W J	1	
	R1224	NRSA6AJ-222W	MG RESISTOR	2.2kΩ 1/16W J	1	
	R1231	NRSA02J-101X	MG RESISTOR	100Ω 1/10W J	1	
	R1232	NRSA63J-473X	MG RESISTOR	47kΩ 1/16W J	1	
	R1233	NRSA6AJ-471W	MG RESISTOR	470Ω 1/16W J	1	
	R1234	NRSA6AJ-222W	MG RESISTOR	2.2kΩ 1/16W J	1	
	R1251	NRSA63J-222X	MG RESISTOR	2.2kΩ 1/16W J	1	
	R1252	NRSA63J-473X	MG RESISTOR	47kΩ 1/16W J	1	
	R1254	NRSA02J-101X	MG RESISTOR	100Ω 1/10W J	1	A,F,J
	R1261	NRSA6AJ-473W	MG RESISTOR	47kΩ 1/16W J	1	
	R1262	NRSA6AJ-473W	MG RESISTOR	47kΩ 1/16W J	1	
	R1266	NRSA63J-222X	MG RESISTOR	2.2kΩ 1/16W J	1	
	R1291	NRSA6AJ-472W	MG RESISTOR	4.7kΩ 1/16W J	1	
	R1292	NRSA6AJ-472W	MG RESISTOR	4.7kΩ 1/16W J	1	
	R1293	NRSA6AJ-472W	MG RESISTOR	4.7kΩ 1/16W J	1	
	R1294	NRSA6AJ-101W	MG RESISTOR	100Ω 1/16W J	1	
	R1295	NRSA6AJ-101W	MG RESISTOR	100Ω 1/16W J	1	
	R1296	NRSA6AJ-472W	MG RESISTOR	4.7kΩ 1/16W J	1	

MODEL	MARK	MODEL	MARK	MODEL	MARK	MODEL	MARK
KW-ADV64BTJ	A	KW-AV60BTA	B	KW-AV60BTE	C	KW-AV60BTEE	D
KW-AV60BTEU	E	KW-AV60BTJ	F	KW-AV60BTU	G	KW-AV60E	H
KW-AV60EU	I	KW-AV60J	J	KW-AV60U	K	KW-AV60UF	L
KW-AV68BTJW	M						

Safe	Symbol No.	Parts No.	Parts Name	Description	QTY	Local
	R1301	NRSA6AJ-333W	MG RESISTOR	33kΩ 1/16W J	1	
	R1302	NRSA6AJ-473W	MG RESISTOR	47kΩ 1/16W J	1	
	R1303	NRSA6AJ-473W	MG RESISTOR	47kΩ 1/16W J	1	
	R1304	NRSA6AJ-331W	MG RESISTOR	330Ω 1/16W J	1	
	R1307	NRSA6AJ-430W	MG RESISTOR	43Ω 1/16W J	1	
	R1308	NRSA6AJ-123W	MG RESISTOR	12kΩ 1/16W J	1	
	R1309	NRSA6AJ-123W	MG RESISTOR	12kΩ 1/16W J	1	
	R1310	NRSA6AJ-0R0W	MG RESISTOR	0Ω 1/16W J	1	B,D,E,G,I,K,L
	R1311	NRSA6AJ-0R0W	MG RESISTOR	0Ω 1/16W J	1	
	R1314	NRSA6AJ-104W	MG RESISTOR	100kΩ 1/16W J	1	A,B,D,E,F,G,I,J,K,L
	R1315	NRSA6AJ-0R0W	MG RESISTOR	0Ω 1/16W J	1	A,B,D,E,F,G,I,J,K,L
	R1316	NRSA6AJ-104W	MG RESISTOR	100kΩ 1/16W J	1	A,B,D,E,F,G,I,J,K,L
	R1317	NRSA6AJ-104W	MG RESISTOR	100kΩ 1/16W J	1	A,F,J
	R1318	NRSA6AJ-0R0W	MG RESISTOR	0Ω 1/16W J	1	C,H,M
	R1319	NRSA63J-0R0X	MG RESISTOR	0Ω 1/10W J	1	C,H,M
	R1325	NRSA6AJ-0R0W	MG RESISTOR	0Ω 1/16W J	1	B,D,E,G,I,K,L
	R1326	NRSA02J-101X	MG RESISTOR	100Ω 1/10W J	1	A,F,J
	R1327	NRSA6AJ-104W	MG RESISTOR	100kΩ 1/16W J	1	A,B,D,E,F,G,I,J,K,L
	R1350	NRSA02J-100X	MG RESISTOR	10Ω 1/10W J	1	
	R1352	NRSA02J-470X	MG RESISTOR	47Ω 1/10W J	1	A,F,J
	R1356	NRSA02J-101X	MG RESISTOR	100Ω 1/10W J	1	A,F,J
	R1357	NRSA6AJ-0R0W	MG RESISTOR	0Ω 1/16W J	1	A,F,J
	R1358	NRSA6AJ-0R0W	MG RESISTOR	0Ω 1/16W J	1	B,D,E,G,I,K,L
	R1359	NRSA02J-101X	MG RESISTOR	100Ω 1/10W J	1	A,F,J
	R1360	NRSA6AJ-0R0W	MG RESISTOR	0Ω 1/16W J	1	A,F,J
	R1361	NRSA6AJ-473W	MG RESISTOR	47kΩ 1/16W J	1	
	R1362	NRSA6AJ-473W	MG RESISTOR	47kΩ 1/16W J	1	
	R1363	NRSA6AJ-104W	MG RESISTOR	100kΩ 1/16W J	1	A,B,D,E,F,G,I,J,K,L
	R1364	NRSA6AJ-0R0W	MG RESISTOR	0Ω 1/16W J	1	A,B,D,E,F,G,I,J,K,L
	R1368	NRSA6AJ-102W	MG RESISTOR	1kΩ 1/16W J	1	
	R1369	NRSA6AJ-103W	MG RESISTOR	10kΩ 1/16W J	1	
	R1370	NRSA6AJ-103W	MG RESISTOR	10kΩ 1/16W J	1	
	R1371	NRSA6AJ-221W	MG RESISTOR	220Ω 1/16W J	1	
	R1372	NRSA6AJ-104W	MG RESISTOR	100kΩ 1/16W J	1	
	R1373	NRSA6AJ-222W	MG RESISTOR	2.2kΩ 1/16W J	1	
	R1374	NRSA6AJ-101W	MG RESISTOR	100Ω 1/16W J	1	
	R1375	NRSA6AJ-472W	MG RESISTOR	4.7kΩ 1/16W J	1	
	R1391	NRSA6AJ-103W	MG RESISTOR	10kΩ 1/16W J	1	
	R1392	NRSA6AJ-103W	MG RESISTOR	10kΩ 1/16W J	1	
	R1393	NRSA6AJ-103W	MG RESISTOR	10kΩ 1/16W J	1	
	R1394	NRSA6AJ-103W	MG RESISTOR	10kΩ 1/16W J	1	
	R1401	NRSA02J-221X	MG RESISTOR	220Ω 1/10W J	1	
	R1402	NRSA6AJ-103W	MG RESISTOR	10kΩ 1/16W J	1	
	R1403	NRSA6AJ-821W	MG RESISTOR	820Ω 1/16W J	1	
	R1404	NRSA6AJ-472W	MG RESISTOR	4.7kΩ 1/16W J	1	
	R1502	NRSA6AJ-473W	MG RESISTOR	47kΩ 1/16W J	1	
	R1503	NRSA6AJ-222W	MG RESISTOR	2.2kΩ 1/16W J	1	
	R1542	NRSA6AJ-0R0W	MG RESISTOR	0Ω 1/16W J	1	A,F,J
	R1602	NRSA6AJ-103W	MG RESISTOR	10kΩ 1/16W J	1	
	R1603	NRSA6AJ-103W	MG RESISTOR	10kΩ 1/16W J	1	
	R1912	NRS181J-332X	MG RESISTOR	3.3kΩ 1/8W J	1	
	R1921	NRSA02J-472X	MG RESISTOR	4.7kΩ 1/10W J	1	A,B,F,G,J,K,L,M
	R1931	NRSA6AJ-103W	MG RESISTOR	10kΩ 1/16W J	1	
	R1932	NRSA6AJ-683W	MG RESISTOR	68kΩ 1/16W J	1	
	R1933	NRSA6AJ-123W	MG RESISTOR	12kΩ 1/16W J	1	
	R1941	NRSA6AJ-473W	MG RESISTOR	47kΩ 1/16W J	1	
	R1942	NRSA6AJ-223W	MG RESISTOR	22kΩ 1/16W J	1	
	R1944	NRSA6AJ-223W	MG RESISTOR	22kΩ 1/16W J	1	
	R1945	NRSA6AJ-471W	MG RESISTOR	470Ω 1/16W J	1	
	R1946	NRSA6AJ-473W	MG RESISTOR	47kΩ 1/16W J	1	
	R1947	NRSA6AJ-473W	MG RESISTOR	47kΩ 1/16W J	1	
	R1948	NRSA6AJ-223W	MG RESISTOR	22kΩ 1/16W J	1	
	R1952	NRSA6AJ-472W	MG RESISTOR	4.7kΩ 1/16W J	1	
	R1953	NRSA6AJ-273W	MG RESISTOR	27kΩ 1/16W J	1	
	R1961	NRSA6AJ-103W	MG RESISTOR	10kΩ 1/16W J	1	
	R1971	NRS181J-152X	MG RESISTOR	1.5kΩ 1/8W J	1	
	R6221	NRSA6AJ-333W	MG RESISTOR	33kΩ 1/16W J	1	
	R6222	NRSA6AJ-333W	MG RESISTOR	33kΩ 1/16W J	1	
	R7008	NRSA6AJ-102W	MG RESISTOR	1kΩ 1/16W J	1	
	R7011	NRSA6AJ-101W	MG RESISTOR	100Ω 1/16W J	1	A,F,J
	R7012	NRSA6AJ-102W	MG RESISTOR	1kΩ 1/16W J	1	
	R7014	NRSA6AJ-154W	MG RESISTOR	150kΩ 1/16W J	1	
	R7017	NRSA6AJ-101W	MG RESISTOR	100Ω 1/16W J	1	
	R7024	NRSA6AJ-473W	MG RESISTOR	47kΩ 1/16W J	1	
	R7025	NRSA6AJ-101W	MG RESISTOR	100Ω 1/16W J	1	
	R7038	NRSA6AJ-101W	MG RESISTOR	100Ω 1/16W J	1	
	R7040	NRSA6AJ-473W	MG RESISTOR	47kΩ 1/16W J	1	
	R7046	NRSA6AJ-222W	MG RESISTOR	2.2kΩ 1/16W J	1	
	R7047	NRSA6AJ-102W	MG RESISTOR	1kΩ 1/16W J	1	
	R7048	NRSA6AJ-472W	MG RESISTOR	4.7kΩ 1/16W J	1	
	R7062	NRSA6AJ-102W	MG RESISTOR	1kΩ 1/16W J	1	
	R7063	NRSA6AJ-102W	MG RESISTOR	1kΩ 1/16W J	1	
	R7064	NRSA6AJ-102W	MG RESISTOR	1kΩ 1/16W J	1	
	R7065	NRSA6AJ-221W	MG RESISTOR	220Ω 1/16W J	1	
	R7066	NRSA6AJ-221W	MG RESISTOR	220Ω 1/16W J	1	
	R7072	NRSA63J-102X	MG RESISTOR	1kΩ 1/16W J	1	
	R7073	NRSA63J-102X	MG RESISTOR	1kΩ 1/16W J	1	
	R7088	NRSA6AJ-102W	MG RESISTOR	1kΩ 1/16W J	1	

MODEL	MARK	MODEL	MARK	MODEL	MARK	MODEL	MARK
KW-ADV64BTJ	A	KW-AV60BTA	B	KW-AV60BTE	C	KW-AV60BTEE	D
KW-AV60BTEU	E	KW-AV60BTJ	F	KW-AV60BTU	G	KW-AV60E	H
KW-AV60EU	I	KW-AV60J	J	KW-AV60U	K	KW-AV60UF	L
KW-AV68BTJW	M						

Safe	Symbol No.	Parts No.	Parts Name	Description	QTY	Local
	R7089	NRSA6AJ-102W	MG RESISTOR	1kΩ 1/16W J	1	
	R7092	NRSA6AJ-102W	MG RESISTOR	1kΩ 1/16W J	1	
	R7093	NRSA6AJ-102W	MG RESISTOR	1kΩ 1/16W J	1	
	R7095	NRSA6AJ-102W	MG RESISTOR	1kΩ 1/16W J	1	
	R7103	NRSA6AJ-101W	MG RESISTOR	100Ω 1/16W J	1	
	R7115	NRSA6AJ-222W	MG RESISTOR	2.2kΩ 1/16W J	1	
	R7116	NRSA6AJ-222W	MG RESISTOR	2.2kΩ 1/16W J	1	
	R7118	NRSA6AJ-472W	MG RESISTOR	4.7kΩ 1/16W J	1	
	R7119	NRSA6AJ-102W	MG RESISTOR	1kΩ 1/16W J	1	
	R7121	NRSA6AJ-102W	MG RESISTOR	1kΩ 1/16W J	1	
	R7122	NRSA6AJ-102W	MG RESISTOR	1kΩ 1/16W J	1	
	R7130	NRSA6AJ-101W	MG RESISTOR	100Ω 1/16W J	1	
	R7201	NRSA6AJ-473W	MG RESISTOR	47kΩ 1/16W J	1	
	R7202	NRSA6AJ-473W	MG RESISTOR	47kΩ 1/16W J	1	
	R7301	NRSA6AJ-223W	MG RESISTOR	22kΩ 1/16W J	1	
	R7302	NRSA6AJ-473W	MG RESISTOR	47kΩ 1/16W J	1	
	R7303	NRSA6AJ-223W	MG RESISTOR	22kΩ 1/16W J	1	
	R7304	NRSA6AJ-103W	MG RESISTOR	10kΩ 1/16W J	1	
	R7502	NRSA6AJ-101W	MG RESISTOR	100Ω 1/16W J	1	
	R7503	NRSA6AJ-0R0W	MG RESISTOR	0Ω 1/16W J	1	
	R7504	NRSA6AJ-0R0W	MG RESISTOR	0Ω 1/16W J	1	
	R7777	NRSA6AJ-103W	MG RESISTOR	10kΩ 1/16W J	1	
	R8000	NRSA6AJ-102W	MG RESISTOR	1kΩ 1/16W J	1	
	R8001	NRSA6AJ-102W	MG RESISTOR	1kΩ 1/16W J	1	
	R8005	NRS181J-100X	MG RESISTOR	10Ω 1/8W J	1	
	R8006	NRSA6AJ-103W	MG RESISTOR	10kΩ 1/16W J	1	
	R8007	NRSA6AD-104W	MG RESISTOR	100kΩ 1/16W D	1	
	R8008	NRSA6AD-243W	MG RESISTOR	24kΩ 1/16W D	1	
	R8009	NRSA6AJ-103W	MG RESISTOR	10kΩ 1/16W J	1	
	R8010	NRSA6AJ-103W	MG RESISTOR	10kΩ 1/16W J	1	
	R8030	NRSA6AJ-103W	MG RESISTOR	10kΩ 1/16W J	1	
	R8031	NRSA6AJ-102W	MG RESISTOR	1kΩ 1/16W J	1	
	R8032	NRSA6AJ-103W	MG RESISTOR	10kΩ 1/16W J	1	
	R8033	NRSA6AJ-102W	MG RESISTOR	1kΩ 1/16W J	1	
	R8034	NRS181J-100X	MG RESISTOR	10Ω 1/8W J	1	
	R8036	NRSA6AJ-103W	MG RESISTOR	10kΩ 1/16W J	1	
	R8037	NRSA6AD-104W	MG RESISTOR	100kΩ 1/16W D	1	
	R8038	NRSA6AD-243W	MG RESISTOR	24kΩ 1/16W D	1	
	R8039	NRSA6AJ-0R0W	MG RESISTOR	0Ω 1/16W J	1	
	R8041	NRSA6AJ-223W	MG RESISTOR	22kΩ 1/16W J	1	
	R8042	NRSA6AJ-103W	MG RESISTOR	10kΩ 1/16W J	1	
	R8101	NRSA6AJ-683W	MG RESISTOR	68kΩ 1/16W J	1	
	R8102	NRSA6AJ-823W	MG RESISTOR	82kΩ 1/16W J	1	
	R8103	NRSA6AD-333W	MG RESISTOR	33kΩ 1/16W D	1	
	R8104	NRSA6AD-333W	MG RESISTOR	33kΩ 1/16W D	1	
	R8105	NRSA6AJ-121W	MG RESISTOR	120Ω 1/16W J	1	
	R8106	NRSA6AJ-222W	MG RESISTOR	2.2kΩ 1/16W J	1	
	R8107	NRSA6AJ-222W	MG RESISTOR	2.2kΩ 1/16W J	1	
	R8109	NRSA6AD-471W	MG RESISTOR	470Ω 1/16W D	1	
	R8110	NRSA6AD-122W	MG RESISTOR	1.2kΩ 1/16W D	1	
	R8111	NRSA6AD-102W	MG RESISTOR	1kΩ 1/16W D	1	
	R8115	NRSA6AJ-5R6W	MG RESISTOR	5.6Ω 1/16W J	1	
	R8201	NRSA6AJ-683W	MG RESISTOR	68kΩ 1/16W J	1	
	R8202	NRSA6AJ-683W	MG RESISTOR	68kΩ 1/16W J	1	
	R8203	NRSA6AD-333W	MG RESISTOR	33kΩ 1/16W D	1	
	R8204	NRSA6AD-333W	MG RESISTOR	33kΩ 1/16W D	1	
	R8205	NRSA6AJ-562W	MG RESISTOR	5.6kΩ 1/16W J	1	
	R8206	NRSA6AJ-821W	MG RESISTOR	820Ω 1/16W J	1	
	R8207	NRSA6AJ-471W	MG RESISTOR	470Ω 1/16W J	1	
	R8208	NRSA6AJ-103W	MG RESISTOR	10kΩ 1/16W J	1	
	R8209	NRSA6AD-472W	MG RESISTOR	4.7kΩ 1/16W D	1	
	R8210	NRSA6AD-123W	MG RESISTOR	12kΩ 1/16W D	1	
	R8211	NRSA6AD-102W	MG RESISTOR	1kΩ 1/16W D	1	
	R8212	NRSA6AJ-333W	MG RESISTOR	33kΩ 1/16W J	1	
	R8213	NRSA6AJ-123W	MG RESISTOR	12kΩ 1/16W J	1	
	R8214	NRSA6AJ-150W	MG RESISTOR	15Ω 1/16W J	1	
	R8215	NRSA6AJ-100W	MG RESISTOR	10Ω 1/16W J	1	
	R8216	NRSA02J-100X	MG RESISTOR	10Ω 1/10W J	1	
	R8217	NRSA6AJ-0R0W	MG RESISTOR	0Ω 1/16W J	1	
	R8301	NRSA6AJ-333W	MG RESISTOR	33kΩ 1/16W J	1	
	R8302	NRSA6AJ-473W	MG RESISTOR	47kΩ 1/16W J	1	
	R8303	NRSA6AJ-122W	MG RESISTOR	1.2kΩ 1/16W J	1	
	R8309	NRSA6AJ-0R0W	MG RESISTOR	0Ω 1/16W J	1	
	R9993	NRSA6AJ-0R0W	MG RESISTOR	0Ω 1/16W J	1	
	R9998	NRSA63J-0R0X	MG RESISTOR	0Ω 1/10W J	1	
	R9999	NRSA63J-0R0X	MG RESISTOR	0Ω 1/10W J	1	
	RA131	NRB04CJ-392W	NET RESISTOR	3.9kΩ J	1	
	RA132	NRB04CJ-392W	NET RESISTOR	3.9kΩ J	1	
	RA722	NRB04CJ-102W	NET RESISTOR	1kΩ J	1	A,B,C,D,E,F,G,M
	RA723	NRB04CJ-470W	NET RESISTOR	47Ω J	1	
	RA724	NRB04CJ-102W	NET RESISTOR	1kΩ J	1	
	RA725	NRB04CJ-102W	NET RESISTOR	1kΩ J	1	
	RA729	NRB04CJ-101W	NET RESISTOR	100Ω J	1	
	RA731	NRB04CJ-102W	NET RESISTOR	1kΩ J	1	
	L1	QQR1872-001	RF COIL		1	
	L2	QQL244J-561Z	COIL	560uH J	1	
	L3	NQL093K-R27X	P COIL	0.27uH K	1	

MODEL	MARK	MODEL	MARK	MODEL	MARK	MODEL	MARK
KW-ADV64BTJ	A	KW-AV60BTA	B	KW-AV60BTE	C	KW-AV60BTEE	D
KW-AV60BTEU	E	KW-AV60BTJ	F	KW-AV60BTU	G	KW-AV60E	H
KW-AV60EU	I	KW-AV60J	J	KW-AV60U	K	KW-AV60UF	L
KW-AV68BTJW	M						

Safe	Symbol No.	Parts No.	Parts Name	Description	QTY	Local
	L5	QQL244J-561Z	COIL	560uH J	1	
	L6	NQL79GM-4R7X	COIL	4.7uH M	1	
	L8	NQL093K-R47X	P COIL	0.47uH K	1	
	L9	NQL093K-4R7X	P COIL	4.7uH K	1	
	L10	NQL093K-R47X	P COIL	0.47uH K	1	
	L11	NQL093K-1R8X	P COIL	1.8uH K	1	
	L801	NQL52EM-220X	COIL	22uH M	1	
	L901	QQR1883-001	CHOKO COIL		1	
	L902	NQL79GM-101X	COIL	100uH M	1	
	L961	NQR0682-001X	CHOKO COIL		1	
	L8001	NQLC8CM-220X	COIL	22uH M	1	
	L8002	NQL52EM-220X	COIL	22uH M	1	
	L8031	NQLC8CM-220X	COIL	22uH M	1	
	L8101	NQLC8CM-220X	COIL	22uH M	1	
	L8201	NQLC8CM-470X	COIL	47uH M	1	
	BK101	LV44247-011A	SHIELD TIGHT		1	A,F,J
	BK102	LV45619-001A	SHIELD		1	A,F,J
	CN101	QGA2501C1-04	CONNECTOR	W-B (1-4)	1	
	CN103	QGF0536C3-12W	CONNECTOR	FFC/FPC (1-12)	1	A,B,C,D,E,F,G,M
	CN104	QGF0536C3-14W	CONNECTOR	FFC/FPC (1-14)	1	
	CN105	QGF0534F6-50X	CONNECTOR	FFC/FPC (1-50)	1	
	CN108	QGF0534F6-12X	CONNECTOR	FFC/FPC (1-12)	1	
	CN110	QGA1002F1-08X	CONNECTOR	W-B (1-8)	1	
	CN111	QGA2001C1-05	CONNECTOR	W-B (1-5)	1	
	CN112	QGA2001C1-02	CONNECTOR	W-B (1-2)	1	
	CN114	QGZ1102J1-20	CONNECTOR	(1-20)	1	
	CN115	QGZ1102J1-20	CONNECTOR	(1-20)	1	
	CN119	QGA2501C1-03	CONNECTOR	W-B (1-3)	1	B,E,G,I,K,L
	CN901	QNZ0607-001	CAR CONNECTOR		1	
	EP101	NNZ0129-001X	EARTH TERMINAL		1	
△	F151	NMFZ028-5R0X-J1	FUSE	5A	1	A,F,J
△	F801	NMFZ028-5R0X-J1	FUSE	5A	1	
△	F831	NMFZ028-2R0X-J1	FUSE	2A	1	
	J101	QNB0348-001	ANT TERMINAL		1	
	J151	QNZ0907-001	CIR CONNECTOR		1	A,F,J
	J1001	QNN0861-001	PIN JACK		1	
	K1	NQR0269-026X	FERRITE BEADS	10.500mA	1	A,F,J
	TH131	NAD0052-471X	P THERMISTOR	470Ω	1	
	VA111	NAF0034-270X	VARIISTOR(ZNR)	27V	1	
	VA121	NAF0034-270X	VARIISTOR(ZNR)	27V	1	
	VA131	NAF0034-270X	VARIISTOR(ZNR)	27V	1	
	VA151	NAF0034-270X	VARIISTOR(ZNR)	27V	1	A,F,J
	VA152	NAF0034-270X	VARIISTOR(ZNR)	27V	1	A,F,J
	VA153	NAF0034-270X	VARIISTOR(ZNR)	27V	1	A,F,J
	VA154	NAF0034-270X	VARIISTOR(ZNR)	27V	1	A,F,J
	VA155	NAF0034-270X	VARIISTOR(ZNR)	27V	1	A,F,J
	VA156	NAF0034-270X	VARIISTOR(ZNR)	27V	1	A,F,J
	VA751	NAF0034-270X	VARIISTOR(ZNR)	27V	1	
	VA752	NAF0034-270X	VARIISTOR(ZNR)	27V	1	
	VA753	NAF0034-270X	VARIISTOR(ZNR)	27V	1	
	VA754	NAF0034-270X	VARIISTOR(ZNR)	27V	1	
	VA755	NAF0034-270X	VARIISTOR(ZNR)	27V	1	
	VA941	NAF0034-270X	VARIISTOR(ZNR)	27V	1	
	X1	QAX0952-001Z	CRYSTAL		1	
	X701	QAX0967-001Z	CRYSTAL		1	
	X702	QAX0401-001	CRYSTAL	32.768KHz	1	
<b>PANEL-A UNIT &lt;02&gt;</b>						
	IC401	MN103SH23	IC(MCU)		1	
	IC403	XC6120N272NG-X	IC		1	
	IC404	NL17SZ17XV5-X	IC		1	
	IC404	or SN74LVC1G17L-X	IC		1	
	IC405	XC6213B122NG-X	IC		1	
	IC431	A3V28S40FTP-G6	IC		1	
	IC441	JVM573E	PROGRAMED IC	IC441 IC451 will need to be replaced in pairs	1	
	IC451	JVM574E	PROGRAMED IC	IC441 IC451 will need to be replaced in pairs	1	
	IC501	NJM2831F92-X	IC		1	
	IC511	NJM2904V-X	IC		1	
	Q4601	DSA5001/R/-X	TRANSISTOR		1	
	Q4611	DSA5001/R/-X	TRANSISTOR		1	
	Q4621	DSA5001/R/-X	TRANSISTOR		1	
	Q4631	DSA5001/R/-X	TRANSISTOR		1	
	Q5201	DRC9114E-X	DIGI TRANSISTOR		1	
	Q5202	DSC5001/R/-X	TRANSISTOR		1	
	Q5203	DSC5001/R/-X	TRANSISTOR		1	
	Q5301	DSA5001/R/-X	TRANSISTOR		1	
	Q5302	DSA5001/R/-X	TRANSISTOR		1	
	D5201	HSU119-X	SI DIODE		1	
	D5202	RKZ18B2KG-X	Z DIODE		1	
	C4001	NDCA1HJ-6R0W	C CAPACITOR	6pF 50V J	1	
	C4002	NDCA1HJ-6R0W	C CAPACITOR	6pF 50V J	1	
	C4010	NCBA1AK-104W	C CAPACITOR	0.1uF 10V K	1	
	C4013	NCBA1AK-104W	C CAPACITOR	0.1uF 10V K	1	
	C4019	NCBA1AK-104W	C CAPACITOR	0.1uF 10V K	1	
	C4020	NCJAOJK-105W-R	C CAPACITOR	1uF 6.3V K	1	
	C4028	NCBA1AK-104W	C CAPACITOR	0.1uF 10V K	1	
	C4038	NCBA1AK-104W	C CAPACITOR	0.1uF 10V K	1	

MODEL	MARK	MODEL	MARK	MODEL	MARK	MODEL	MARK
KW-ADV64BTJ	A	KW-AV60BTA	B	KW-AV60BTE	C	KW-AV60BTEE	D
KW-AV60BTEU	E	KW-AV60BTJ	F	KW-AV60BTU	G	KW-AV60E	H
KW-AV60EU	I	KW-AV60J	J	KW-AV60U	K	KW-AV60UF	L
KW-AV68BTJW	M						

Safe	Symbol No.	Parts No.	Parts Name	Description	QTY	Local
	C4039	NCJA0JK-105W-R	C CAPACITOR	1uF 6.3V K	1	
	C4049	NCBA1AK-104W	C CAPACITOR	0.1uF 10V K	1	
	C4051	NCBA1AK-104W	C CAPACITOR	0.1uF 10V K	1	
	C4055	NCBA1AK-104W	C CAPACITOR	0.1uF 10V K	1	
	C4056	NCB20JK-106X	C CAPACITOR	10uF 6.3V K	1	
	C4057	NCB20JK-106X	C CAPACITOR	10uF 6.3V K	1	
	C4062	NCBA1AK-104W	C CAPACITOR	0.1uF 10V K	1	
	C4066	NCBA1AK-104W	C CAPACITOR	0.1uF 10V K	1	
	C4067	NCJA0JK-105W-R	C CAPACITOR	1uF 6.3V K	1	
	C4069	NCBA1AK-104W	C CAPACITOR	0.1uF 10V K	1	
	C4074	NCBA1AK-104W	C CAPACITOR	0.1uF 10V K	1	
	C4075	NCJA0JK-105W-R	C CAPACITOR	1uF 6.3V K	1	
	C4085	NCBA1AK-104W	C CAPACITOR	0.1uF 10V K	1	
	C4094	NCBA1CK-103W	C CAPACITOR	0.01uF 16V K	1	
	C4095	NCBA1AK-104W	C CAPACITOR	0.1uF 10V K	1	
	C4097	NCBA1AK-104W	C CAPACITOR	0.1uF 10V K	1	
	C4103	NCBA1AK-104W	C CAPACITOR	0.1uF 10V K	1	
	C4106	NCBA1AK-104W	C CAPACITOR	0.1uF 10V K	1	
	C4107	NCBA1AK-104W	C CAPACITOR	0.1uF 10V K	1	
	C4120	NCBA1AK-104W	C CAPACITOR	0.1uF 10V K	1	
	C4121	NCBA1AK-104W	C CAPACITOR	0.1uF 10V K	1	
	C4122	NCBA1AK-104W	C CAPACITOR	0.1uF 10V K	1	
	C4129	NDC31HJ-151X	C CAPACITOR	150pF 50V J	1	
	C4135	NCBA1AK-104W	C CAPACITOR	0.1uF 10V K	1	
	C4145	NCBA1AK-104W	C CAPACITOR	0.1uF 10V K	1	
	C4154	NCBA1HK-102W	C CAPACITOR	1000pF 50V K	1	
	C4155	NCBA1HK-102W	C CAPACITOR	1000pF 50V K	1	
	C4157	NCBA1AK-104W	C CAPACITOR	0.1uF 10V K	1	
	C4160	NDCA1HJ-330W	C CAPACITOR	33pF 50V J	1	
	C4161	NDCA1HJ-560W	C CAPACITOR	56pF 50V J	1	
	C4163	NCBA1AK-104W	C CAPACITOR	0.1uF 10V K	1	
	C4164	NCBA1AK-104W	C CAPACITOR	0.1uF 10V K	1	
	C4165	NCBA1AK-104W	C CAPACITOR	0.1uF 10V K	1	
	C4166	NCBA1AK-104W	C CAPACITOR	0.1uF 10V K	1	
	C4168	NCJ20JM-226X-R	C CAPACITOR	22uF 6.3V M	1	
	C4169	NCBA1AK-104W	C CAPACITOR	0.1uF 10V K	1	
	C4171	NCBA1AK-104W	C CAPACITOR	0.1uF 10V K	1	
	C4172	NCBA1AK-104W	C CAPACITOR	0.1uF 10V K	1	
	C4173	NCBA1AK-104W	C CAPACITOR	0.1uF 10V K	1	
	C4176	NCBA1AK-104W	C CAPACITOR	0.1uF 10V K	1	
	C4177	NCBA1AK-104W	C CAPACITOR	0.1uF 10V K	1	
	C4178	NCBA1AK-104W	C CAPACITOR	0.1uF 10V K	1	
	C4182	NCBA1AK-104W	C CAPACITOR	0.1uF 10V K	1	
	C4183	NCJA0JK-105W-R	C CAPACITOR	1uF 6.3V K	1	
	C4190	NCBA1AK-104W	C CAPACITOR	0.1uF 10V K	1	
	C4196	NCBA1AK-104W	C CAPACITOR	0.1uF 10V K	1	
	C4201	NCBA1AK-104W	C CAPACITOR	0.1uF 10V K	1	
	C4210	NCBA1AK-104W	C CAPACITOR	0.1uF 10V K	1	
	C4217	NCB20JK-475X	C CAPACITOR	4.7uF 6.3V K	1	
	C4218	NCBA1AK-104W	C CAPACITOR	0.1uF 10V K	1	
	C4301	NCBA1AK-104W	C CAPACITOR	0.1uF 10V K	1	
	C4303	NCBA1AK-104W	C CAPACITOR	0.1uF 10V K	1	
	C4309	NCBA1AK-104W	C CAPACITOR	0.1uF 10V K	1	
	C4314	NCBA1AK-104W	C CAPACITOR	0.1uF 10V K	1	
	C4327	NCB20JK-106X	C CAPACITOR	10uF 6.3V K	1	
	C4343	NCBA1AK-104W	C CAPACITOR	0.1uF 10V K	1	
	C4349	NCBA1AK-104W	C CAPACITOR	0.1uF 10V K	1	
	C4354	NCB20JK-106X	C CAPACITOR	10uF 6.3V K	1	
	C4408	NCBA1AK-104W	C CAPACITOR	0.1uF 10V K	1	
	C4409	NCB20JK-106X	C CAPACITOR	10uF 6.3V K	1	
	C4508	NCBA1AK-104W	C CAPACITOR	0.1uF 10V K	1	
	C4601	NCBA1AK-104W	C CAPACITOR	0.1uF 10V K	1	
	C4602	NDCA1HJ-680W	C CAPACITOR	68pF 50V J	1	
	C4604	NDCA1HJ-180W	C CAPACITOR	18pF 50V J	1	
	C4605	NCB20JK-106X	C CAPACITOR	10uF 6.3V K	1	
	C4614	NDCA1HJ-560W	C CAPACITOR	56pF 50V J	1	
	C4615	NCJA0JK-105W-R	C CAPACITOR	1uF 6.3V K	1	
	C4616	NCJA0JK-105W-R	C CAPACITOR	1uF 6.3V K	1	
	C4624	NDCA1HJ-560W	C CAPACITOR	56pF 50V J	1	
	C4625	NCJA0JK-105W-R	C CAPACITOR	1uF 6.3V K	1	
	C4626	NCJA0JK-105W-R	C CAPACITOR	1uF 6.3V K	1	
	C4634	NDCA1HJ-560W	C CAPACITOR	56pF 50V J	1	
	C4635	NCJA0JK-105W-R	C CAPACITOR	1uF 6.3V K	1	
	C4636	NCJA0JK-105W-R	C CAPACITOR	1uF 6.3V K	1	
	C5001	NCB31HK-104X	C CAPACITOR	0.1uF 50V K	1	
	C5002	NCBA1CK-104W	C CAPACITOR	0.1uF 16V K	1	
	C5003	NCB20JK-106X	C CAPACITOR	10uF 6.3V K	1	
	C5004	NCJ21CK-106X-R	C CAPACITOR	10uF 16V K	1	
	C5005	NCJA0JK-105W-R	C CAPACITOR	1uF 6.3V K	1	
	C5010	NCB31CK-105X	C CAPACITOR	1uF 16V K	1	
	C5011	NCB31HK-104X	C CAPACITOR	0.1uF 50V K	1	
	C5103	NCBA1CK-104W	C CAPACITOR	0.1uF 16V K	1	
	C5201	NCB31HK-104X	C CAPACITOR	0.1uF 50V K	1	
	C5202	NCB21EK-105X	C CAPACITOR	1uF 25V K	1	
	C5203	NCB31HK-104X	C CAPACITOR	0.1uF 50V K	1	
	C5301	NCBA1CK-104W	C CAPACITOR	0.1uF 16V K	1	
	C5302	NCBA1AK-104W	C CAPACITOR	0.1uF 10V K	1	
	R4001	NRSA6AJ-681W	MG RESISTOR	680Ω 1/16W J	1	

MODEL	MARK	MODEL	MARK	MODEL	MARK	MODEL	MARK
KW-ADV64BTJ	A	KW-AV60BTA	B	KW-AV60BTE	C	KW-AV60BTEE	D
KW-AV60BTEU	E	KW-AV60BTJ	F	KW-AV60BTU	G	KW-AV60E	H
KW-AV60EU	I	KW-AV60J	J	KW-AV60U	K	KW-AV60UF	L
KW-AV68BTJW	M						

Safe	Symbol No.	Parts No.	Parts Name	Description	QTY	Local
	R4002	NRSA6AJ-105W	MG RESISTOR	1MΩ 1/16W J	1	
	R4030	NRSA6AJ-680W	MG RESISTOR	68Ω 1/16W J	1	
	R4053	NRSA6AJ-680W	MG RESISTOR	68Ω 1/16W J	1	
	R4054	NRSA6AJ-680W	MG RESISTOR	68Ω 1/16W J	1	
	R4058	NRSA6AJ-103W	MG RESISTOR	10kΩ 1/16W J	1	
	R4059	NRSA6AJ-102W	MG RESISTOR	1kΩ 1/16W J	1	
	R4060	NRSA6AJ-101W	MG RESISTOR	100Ω 1/16W J	1	
	R4062	NRSA6AJ-102W	MG RESISTOR	1kΩ 1/16W J	1	
	R4063	NRSA6AJ-102W	MG RESISTOR	1kΩ 1/16W J	1	
	R4064	NRSA6AJ-101W	MG RESISTOR	100Ω 1/16W J	1	
	R4065	NRSA6AJ-102W	MG RESISTOR	1kΩ 1/16W J	1	
	R4066	NRSA6AJ-101W	MG RESISTOR	100Ω 1/16W J	1	
	R4067	NRSA6AJ-101W	MG RESISTOR	100Ω 1/16W J	1	
	R4069	NRSA6AJ-101W	MG RESISTOR	100Ω 1/16W J	1	
	R4070	NRSA6AJ-101W	MG RESISTOR	100Ω 1/16W J	1	
	R4077	NRSA6AJ-101W	MG RESISTOR	100Ω 1/16W J	1	
	R4078	NRSA6AJ-680W	MG RESISTOR	68Ω 1/16W J	1	
	R4079	NRSA6AJ-680W	MG RESISTOR	68Ω 1/16W J	1	
	R4083	NRSA6AJ-680W	MG RESISTOR	68Ω 1/16W J	1	
	R4087	NRSA6AJ-680W	MG RESISTOR	68Ω 1/16W J	1	
	R4091	NRSA6AJ-680W	MG RESISTOR	68Ω 1/16W J	1	
	R4127	NRSA6AJ-101W	MG RESISTOR	100Ω 1/16W J	1	
	R4128	NRSA6AJ-101W	MG RESISTOR	100Ω 1/16W J	1	
△	R4129	NRSA6AJ-470W	MG RESISTOR	47Ω 1/16W J	1	
	R4130	NRSA6AJ-102W	MG RESISTOR	1kΩ 1/16W J	1	
	R4131	NRSA6AJ-101W	MG RESISTOR	100Ω 1/16W J	1	
	R4132	NRSA6AJ-220W	MG RESISTOR	22Ω 1/16W J	1	
	R4133	NRSA6AJ-470W	MG RESISTOR	47Ω 1/16W J	1	
	R4136	NRSA6AJ-470W	MG RESISTOR	47Ω 1/16W J	1	
	R4137	NRSA6AJ-101W	MG RESISTOR	100Ω 1/16W J	1	
	R4138	NRSA6AJ-330W	MG RESISTOR	33Ω 1/16W J	1	
	R4146	NRSA6AJ-102W	MG RESISTOR	1kΩ 1/16W J	1	
	R4157	NRSA6AJ-0R0W	MG RESISTOR	0Ω 1/16W J	1	
	R4161	NRSA6AJ-101W	MG RESISTOR	100Ω 1/16W J	1	
	R4164	NRSA6AD-103W	MG RESISTOR	10kΩ 1/16W D	1	
	R4166	NRSA6AJ-2R2W	MG RESISTOR	2.2Ω 1/16W J	1	
	R4167	NRSA6AJ-0R0W	MG RESISTOR	0Ω 1/16W J	1	
	R4402	NRSA6AJ-680W	MG RESISTOR	68Ω 1/16W J	1	
	R4501	NRSA6AJ-0R0W	MG RESISTOR	0Ω 1/16W J	1	
	R4502	NRSA6AJ-680W	MG RESISTOR	68Ω 1/16W J	1	
	R4503	NRSA6AJ-0R0W	MG RESISTOR	0Ω 1/16W J	1	
	R4516	NRSA6AJ-0R0W	MG RESISTOR	0Ω 1/16W J	1	
	R4517	NRSA6AJ-0R0W	MG RESISTOR	0Ω 1/16W J	1	
	R4601	NRSA6AJ-391W	MG RESISTOR	390Ω 1/16W J	1	
	R4606	NRSA6AJ-152W	MG RESISTOR	1.5kΩ 1/16W J	1	
	R4608	NRSA6AJ-471W	MG RESISTOR	470Ω 1/16W J	1	
	R4611	NRSA6AJ-470W	MG RESISTOR	47Ω 1/16W J	1	
	R4613	NRSA6AJ-103W	MG RESISTOR	10kΩ 1/16W J	1	
	R4614	NRSA6AJ-103W	MG RESISTOR	10kΩ 1/16W J	1	
	R4615	NRSA6AJ-151W	MG RESISTOR	150Ω 1/16W J	1	
	R4618	NRSA6AJ-471W	MG RESISTOR	470Ω 1/16W J	1	
	R4621	NRSA6AJ-470W	MG RESISTOR	47Ω 1/16W J	1	
	R4623	NRSA6AJ-103W	MG RESISTOR	10kΩ 1/16W J	1	
	R4624	NRSA6AJ-103W	MG RESISTOR	10kΩ 1/16W J	1	
	R4625	NRSA6AJ-151W	MG RESISTOR	150Ω 1/16W J	1	
	R4628	NRSA6AJ-471W	MG RESISTOR	470Ω 1/16W J	1	
	R4631	NRSA6AJ-470W	MG RESISTOR	47Ω 1/16W J	1	
	R4633	NRSA6AJ-103W	MG RESISTOR	10kΩ 1/16W J	1	
	R4634	NRSA6AJ-103W	MG RESISTOR	10kΩ 1/16W J	1	
	R4635	NRSA6AJ-151W	MG RESISTOR	150Ω 1/16W J	1	
	R4638	NRSA6AJ-471W	MG RESISTOR	470Ω 1/16W J	1	
	R4640	NRSA6AJ-0R0W	MG RESISTOR	0Ω 1/16W J	1	
	R5001	NRSA6AD-101W	MG RESISTOR	100Ω 1/16W D	1	
	R5002	NRSA6AD-161W	MG RESISTOR	160Ω 1/16W D	1	
	R5003	NRSA6AD-430W	MG RESISTOR	43Ω 1/16W D	1	
	R5004	NRSA6AD-360W	MG RESISTOR	36Ω 1/16W D	1	
	R5005	NRSA6AD-101W	MG RESISTOR	100Ω 1/16W D	1	
	R5006	NRSA6AD-161W	MG RESISTOR	160Ω 1/16W D	1	
	R5007	NRSA6AD-101W	MG RESISTOR	100Ω 1/16W D	1	
	R5008	NRSA6AD-360W	MG RESISTOR	36Ω 1/16W D	1	
	R5009	NRSA6AD-430W	MG RESISTOR	43Ω 1/16W D	1	
	R5010	NRSA6AD-161W	MG RESISTOR	160Ω 1/16W D	1	
	R5011	NRSA6AD-620W	MG RESISTOR	62Ω 1/16W D	1	
	R5020	NRSA6AJ-101W	MG RESISTOR	100Ω 1/16W J	1	
	R5106	NRSA6AD-822W	MG RESISTOR	8.2kΩ 1/16W D	1	
	R5107	NRSA6AD-472W	MG RESISTOR	4.7kΩ 1/16W D	1	
	R5109	NRSA6AJ-105W	MG RESISTOR	1MΩ 1/16W J	1	
	R5201	NRSA6AJ-473W	MG RESISTOR	47kΩ 1/16W J	1	
	R5203	NRSA6AJ-183W	MG RESISTOR	18kΩ 1/16W J	1	
	R5204	NRSA6AJ-183W	MG RESISTOR	18kΩ 1/16W J	1	
	R5205	NRSA6AJ-471W	MG RESISTOR	470Ω 1/16W J	1	
	R5302	NRSA6AJ-103W	MG RESISTOR	10kΩ 1/16W J	1	
	R5303	NRSA6AD-103W	MG RESISTOR	10kΩ 1/16W D	1	
	R5304	NRSA6AD-562W	MG RESISTOR	5.6kΩ 1/16W D	1	
	RA401	NRB04CJ-680W	NET RESISTOR	68Ω J	1	
	RA402	NRB04CJ-680W	NET RESISTOR	68Ω J	1	
	RA403	NRB04CJ-680W	NET RESISTOR	68Ω J	1	

MODEL	MARK	MODEL	MARK	MODEL	MARK	MODEL	MARK
KW-ADV64BTJ	A	KW-AV60BTA	B	KW-AV60BTE	C	KW-AV60BTEE	D
KW-AV60BTEU	E	KW-AV60BTJ	F	KW-AV60BTU	G	KW-AV60E	H
KW-AV60EU	I	KW-AV60J	J	KW-AV60U	K	KW-AV60UF	L
KW-AV68BTJW	M						

Safe	Symbol No.	Parts No.	Parts Name	Description	QTY	Local
	RA404	NRB04CJ-680W	NET RESISTOR	68Ω J	1	
	RA405	NRB04CJ-680W	NET RESISTOR	68Ω J	1	
	RA406	NRB04CJ-680W	NET RESISTOR	68Ω J	1	
	RA407	NRB04CJ-680W	NET RESISTOR	68Ω J	1	
	RA408	NRB04CJ-680W	NET RESISTOR	68Ω J	1	
	RA409	NRB04CJ-680W	NET RESISTOR	68Ω J	1	
	RA415	NRB04CJ-101W	NET RESISTOR	100Ω J	1	
	RA416	NRB04CJ-101W	NET RESISTOR	100Ω J	1	
	RA417	NRB04CJ-101W	NET RESISTOR	100Ω J	1	
	RA418	NRB04CJ-101W	NET RESISTOR	100Ω J	1	
	RA419	NRB04CJ-101W	NET RESISTOR	100Ω J	1	
	RA420	NRB04CJ-330W	NET RESISTOR	33Ω J	1	
	L4001	NQL79GM-470X	COIL	47uH M	1	
	L4601	NQLD8DJ-470X	COIL	47uH J	1	
	CN401	QGF0534F6-30X	CONNECTOR	FFC/FPC (1-30)	1	
	CN501	QGF0572F1-60X	CONNECTOR	FFC/FPC (1-60)	1	
	EP401	NNZ0129-001X	EARTH TERMINAL		1	
	X4001	NAX1038-001X	CRYSTAL		1	
<b>PANEL-B UNIT &lt;03&gt;</b>						
	IC611	BU33TD3WG-W	IC		1	
	IC651	KSM-2003TN5B	IR DETECT UNIT		1	
	Q6001	DSC5001/R/-X	TRANSISTOR		1	
	Q6002	DSC5001/R/-X	TRANSISTOR		1	
	Q6003	DSC5001/R/-X	TRANSISTOR		1	
	Q6004	DSC5001/R/-X	TRANSISTOR		1	
	Q6005	DSC7004/RS/-X	TRANSISTOR		1	
	Q6006	DSC5001/R/-X	TRANSISTOR		1	
	Q6007	DSC5001/R/-X	TRANSISTOR		1	
	Q6008	DSC5001/R/-X	TRANSISTOR		1	
	Q6009	DSC5001/R/-X	TRANSISTOR		1	
	Q6010	DRA9114E-X	DIGI TRANSISTOR		1	
	Q6011	DRC9114E-X	DIGI TRANSISTOR		1	
	Q6101	DRA9143Z-X	DIGI TRANSISTOR		1	
	Q6102	DRC9143Z-X	DIGI TRANSISTOR		1	
	Q6103	DRC9143Z-X	DIGI TRANSISTOR		1	
	Q6104	DRA9143Z-X	DIGI TRANSISTOR		1	
	Q6105	DRC9143Z-X	DIGI TRANSISTOR		1	
	Q6201	DSC5001/R/-X	TRANSISTOR		1	
	Q6202	DSC5001/R/-X	TRANSISTOR		1	
	Q6203	DSC5001/R/-X	TRANSISTOR		1	
	D6001	RKZ30BKG-X	Z DIODE		1	
	D6041	RKZ18B2KG-X	Z DIODE		1	
	D6042	RKS801KF-X	SI DIODE		1	
	D6101	RKZ6.2B2KG-X	Z DIODE		1	
	D6102	RKZ6.2B2KG-X	Z DIODE		1	
	D6103	RKZ6.2B2KG-X	Z DIODE		1	
	D6104	RKZ6.2B2KG-X	Z DIODE		1	
	D6501	NSSM065T-X	LED		1	
	D6502	NSSM065T-X	LED		1	
	D6503	NSSM065T-X	LED		1	
	D6504	NSSM065T-X	LED		1	
	D6506	SML-D12V8W/PQ-X	LED		1	
	D6507	SML-D12V8W/PQ-X	LED		1	
	C6001	NCB31HK-104X	C CAPACITOR	0.1uF 50V K	1	
	C6002	NCB31HK-104X	C CAPACITOR	0.1uF 50V K	1	
	C6003	NCB21EK-105X	C CAPACITOR	1uF 25V K	1	
	C6004	NCB31HK-104X	C CAPACITOR	0.1uF 50V K	1	
	C6015	NCB20JK-106X	C CAPACITOR	10uF 6.3V K	1	
	C6101	NDC31HJ-101X	C CAPACITOR	100pF 50V J	1	
	C6102	NDC31HJ-101X	C CAPACITOR	100pF 50V J	1	
	C6104	NDC31HJ-101X	C CAPACITOR	100pF 50V J	1	
	C6107	NCBA1AK-104W	C CAPACITOR	0.1uF 10V K	1	
	C6108	NCB20JK-475X	C CAPACITOR	4.7uF 6.3V K	1	
	C6110	NCB31CK-473X	C CAPACITOR	0.047uF 16V K	1	
	C6111	NDC31HJ-101X	C CAPACITOR	100pF 50V J	1	
	C6112	NDC31HJ-101X	C CAPACITOR	100pF 50V J	1	
	C6502	NCB20JK-106X	C CAPACITOR	10uF 6.3V K	1	
	R6001	NRSA6AJ-181W	MG RESISTOR	180Ω 1/16W J	1	
	R6002	NRSA6AJ-221W	MG RESISTOR	220Ω 1/16W J	1	
	R6003	NRSA6AJ-181W	MG RESISTOR	180Ω 1/16W J	1	
	R6004	NRSA6AJ-221W	MG RESISTOR	220Ω 1/16W J	1	
	R6005	NRSA6AJ-181W	MG RESISTOR	180Ω 1/16W J	1	
	R6006	NRSA6AJ-221W	MG RESISTOR	220Ω 1/16W J	1	
	R6007	NRSA6AJ-181W	MG RESISTOR	180Ω 1/16W J	1	
	R6008	NRSA6AJ-221W	MG RESISTOR	220Ω 1/16W J	1	
	R6010	NRSA6AJ-0R0W	MG RESISTOR	0Ω 1/16W J	1	
	R6012	NRSA6AJ-122W	MG RESISTOR	1.2kΩ 1/16W J	1	
	R6013	NRSA6AJ-121W	MG RESISTOR	120Ω 1/16W J	1	
	R6111	NRSA63J-473X	MG RESISTOR	47kΩ 1/16W J	1	
	R6112	NRSA63J-473X	MG RESISTOR	47kΩ 1/16W J	1	
	R6201	NRSA6AJ-473W	MG RESISTOR	47kΩ 1/16W J	1	
	R6202	NRSA6AJ-473W	MG RESISTOR	47kΩ 1/16W J	1	
	R6203	NRSA6AJ-473W	MG RESISTOR	47kΩ 1/16W J	1	
	R6204	NRSA6AD-301W	MG RESISTOR	300Ω 1/16W D	1	
	R6207	NRSA6AD-271W	MG RESISTOR	270Ω 1/16W D	1	
	R6208	NRSA6AD-301W	MG RESISTOR	300Ω 1/16W D	1	
	R6209	NRSA6AD-331W	MG RESISTOR	330Ω 1/16W D	1	

MODEL	MARK	MODEL	MARK	MODEL	MARK	MODEL	MARK
KW-ADV64BTJ	A	KW-AV60BTA	B	KW-AV60BTE	C	KW-AV60BTEE	D
KW-AV60BTEU	E	KW-AV60BTJ	F	KW-AV60BTU	G	KW-AV60E	H
KW-AV60EU	I	KW-AV60J	J	KW-AV60U	K	KW-AV60UF	L
KW-AV68BTJW	M						

Safe	Symbol No.	Parts No.	Parts Name	Description	QTY	Local	
	R6210	NRSA6AD-391W	MG RESISTOR	390Ω 1/16W D	1		
	R6212	NRSA63J-470X	MG RESISTOR	47Ω 1/16W J	1		
	R6501	NRSA63J-332X	MG RESISTOR	3.3kΩ 1/16W J	1		
	R6502	NRSA63J-332X	MG RESISTOR	3.3kΩ 1/16W J	1		
	R6509	NRSA6AJ-152W	MG RESISTOR	1.5kΩ 1/16W J	1		
	R6510	NRSA6AJ-152W	MG RESISTOR	1.5kΩ 1/16W J	1		
	RA601	NRB04CJ-821W	NET RESISTOR	820Ω J	1		
	RA602	NRB04CJ-102W	NET RESISTOR	1kΩ J	1		
	RA603	NRB04CJ-470W	NET RESISTOR	47Ω J	1		
	RA604	NRB04CJ-470W	NET RESISTOR	47Ω J	1		
	L6001	NQL79GM-470X	COIL	47uH M	1		
	CN601	QGZ1102K2-20X	CONNECTOR	(1-20)	1		
	CN602	QGZ1102K2-20X	CONNECTOR	(1-20)	1		
	CN603	QGF0534F6-30X	CONNECTOR	FFC/FPC (1-30)	1		
	CN604	QGF0534F6-17X	CONNECTOR	FFC/FPC (1-17)	1		
	CN605	QGF0534F6-10X	CONNECTOR	FFC/FPC (1-10)	1		
	CN606	QGF1039F3-04X	CONNECTOR	FFC/FPC (1-4)	1		
	CN651	QGF0534F6-17X	CONNECTOR	FFC/FPC (1-17)	1		
	J652	QNS0299-001	3.5 JACK		1		
	JS651	QSW1279-001	ROTARY ENCODER		1		
	S6501	NSW0335-001X	TACT SWITCH		1		
	S6502	NSW0335-001X	TACT SWITCH		1		
	S6503	NSW0335-001X	TACT SWITCH		1		
	S6504	NSW0335-001X	TACT SWITCH		1		
	VA602	NAF0034-270X	VARIATOR(ZNR)	27V	1		
	VA604	NAF0034-270X	VARIATOR(ZNR)	27V	1		
	VA606	NAF0034-270X	VARIATOR(ZNR)	27V	1		
	VA608	NAF0034-270X	VARIATOR(ZNR)	27V	1		
	VA611	NAF0034-270X	VARIATOR(ZNR)	27V	1		
	VA618	NAF0034-270X	VARIATOR(ZNR)	27V	1		
	VA620	NAF0034-270X	VARIATOR(ZNR)	27V	1		
	VA621	NAF0034-270X	VARIATOR(ZNR)	27V	1		
	VA622	NAF0034-270X	VARIATOR(ZNR)	27V	1		
	VA623	NAF0034-270X	VARIATOR(ZNR)	27V	1		
	VA624	NAF0034-270X	VARIATOR(ZNR)	27V	1		
	VA625	NAF0034-270X	VARIATOR(ZNR)	27V	1		
	VA626	NAF0034-270X	VARIATOR(ZNR)	27V	1		
	VA627	NAF0034-270X	VARIATOR(ZNR)	27V	1		
	VA628	NAF0034-270X	VARIATOR(ZNR)	27V	1		
	VA630	NAF0034-270X	VARIATOR(ZNR)	27V	1		
	VA638	NAF0034-270X	VARIATOR(ZNR)	27V	1		
	VA640	NAF0034-270X	VARIATOR(ZNR)	27V	1		
	VA642	NAF0034-270X	VARIATOR(ZNR)	27V	1		
	VA643	NAF0034-270X	VARIATOR(ZNR)	27V	1		
	VA644	NAF0034-270X	VARIATOR(ZNR)	27V	1		
	SUB UNIT <04>						
	IC201	NJM2561F1-X	IC		1		
	IC211	NJM2535V-X	IC		1		
	IC231	NJM2535V-X	IC		1		
	IC241	NJM2505AF-X	IC		1		
	D296	MC2850-X	SI DIODE		1	B,D,E,G,I,K,L	
	C200	QEKJ1EM-106Z	E CAPACITOR	10uF 25V M	1		
	C201	NCBA1AK-104W	C CAPACITOR	0.1uF 10V K	1		
	C202	QETN1AM-477Z	E CAPACITOR	470uF 10V M	1		
	C203	NCBA1AK-104W	C CAPACITOR	0.1uF 10V K	1		
	C211	NCB31CK-105X	C CAPACITOR	1uF 16V K	1		
	C212	NCB31CK-105X	C CAPACITOR	1uF 16V K	1		
	C214	NCBA1AK-104W	C CAPACITOR	0.1uF 10V K	1		
	C231	NCB31CK-105X	C CAPACITOR	1uF 16V K	1		
	C232	NCB31CK-105X	C CAPACITOR	1uF 16V K	1		
	C234	NCBA1AK-104W	C CAPACITOR	0.1uF 10V K	1		
	C241	NCB21CK-475X	C CAPACITOR	4.7uF 16V K	1		
	C242	NCB21CK-475X	C CAPACITOR	4.7uF 16V K	1		
	C243	NCB31CK-105X	C CAPACITOR	1uF 16V K	1		
	C244	NCBA1AK-104W	C CAPACITOR	0.1uF 10V K	1		
	C245	NDC31HJ-101X	C CAPACITOR	100pF 50V J	1		
	C261	NCBA1CK-104W	C CAPACITOR	0.1uF 16V K	1	B,D,E,G,I,K,L	
	C271	NCBA1CK-104W	C CAPACITOR	0.1uF 16V K	1	B,D,E,G,I,K,L	
	C281	NCBA1CK-104W	C CAPACITOR	0.1uF 16V K	1	B,D,E,G,I,K,L	
	C296	NCB31HK-473X	C CAPACITOR	0.047uF 50V K	1	B,D,E,G,I,K,L	
	C2102	NCB31CK-105X	C CAPACITOR	1uF 16V K	1	B,D,E,G,I,K,L	
	C2202	NCB31CK-105X	C CAPACITOR	1uF 16V K	1	B,D,E,G,I,K,L	
	C2302	NCB31CK-105X	C CAPACITOR	1uF 16V K	1	B,D,E,G,I,K,L	
	R201	NRSA63J-750X	MG RESISTOR	75Ω 1/16W J	1		
	R213	NRSA6AJ-105W	MG RESISTOR	1MΩ 1/16W J	1		
	R215	NRSA6AD-151W	MG RESISTOR	150Ω 1/16W D	1		
	R231	NRSA63J-750X	MG RESISTOR	75Ω 1/16W J	1		
	R233	NRSA6AJ-105W	MG RESISTOR	1MΩ 1/16W J	1		
	R238	NRSA6AJ-0R0W	MG RESISTOR	0Ω 1/16W J	1		
	R239	NRSA6AJ-0R0W	MG RESISTOR	0Ω 1/16W J	1		
	R241	NRSA6AJ-471W	MG RESISTOR	470Ω 1/16W J	1		
	R242	NRSA6AJ-471W	MG RESISTOR	470Ω 1/16W J	1		
	R243	NRSA63J-750X	MG RESISTOR	75Ω 1/16W J	1		
	R245	NRSA6AJ-154W	MG RESISTOR	150kΩ 1/16W J	1		
	R246	NRSA6AJ-104W	MG RESISTOR	100kΩ 1/16W J	1		
	R247	NRSA6AJ-101W	MG RESISTOR	100Ω 1/16W J	1		
	R251	NRSA02J-101X	MG RESISTOR	100Ω 1/10W J	1	B,D,E,G,I,K,L	
	R252	NRSA02J-101X	MG RESISTOR	100Ω 1/10W J	1	B,D,E,G,I,K,L	

MODEL	MARK	MODEL	MARK	MODEL	MARK	MODEL	MARK
KW-ADV64BTJ	A	KW-AV60BTA	B	KW-AV60BTE	C	KW-AV60BTEE	D
KW-AV60BTEU	E	KW-AV60BTJ	F	KW-AV60BTU	G	KW-AV60E	H
KW-AV60EU	I	KW-AV60J	J	KW-AV60U	K	KW-AV60UF	L
KW-AV68BTJW	M						

Safe	Symbol No.	Parts No.	Parts Name	Description	QTY	Local
	R261	NRSA6AJ-101W	MG RESISTOR	100Ω 1/16W J	1	B,D,E,G,I,K,L
	R268	NRSA63J-750X	MG RESISTOR	75Ω 1/16W J	1	B,D,E,G,I,K,L
	R271	NRSA6AJ-101W	MG RESISTOR	100Ω 1/16W J	1	B,D,E,G,I,K,L
	R278	NRSA63J-750X	MG RESISTOR	75Ω 1/16W J	1	B,D,E,G,I,K,L
	R281	NRSA6AJ-101W	MG RESISTOR	100Ω 1/16W J	1	B,D,E,G,I,K,L
	R288	NRSA63J-750X	MG RESISTOR	75Ω 1/16W J	1	B,D,E,G,I,K,L
	R291	NRSA6AJ-100W	MG RESISTOR	10Ω 1/16W J	1	B,D,E,G,I,K,L
	R296	NRSA63J-471X	MG RESISTOR	470Ω 1/16W J	1	B,D,E,G,I,K,L
	R2101	NRSA02J-101X	MG RESISTOR	100Ω 1/10W J	1	B,D,E,G,I,K,L
	R2201	NRSA02J-101X	MG RESISTOR	100Ω 1/10W J	1	B,D,E,G,I,K,L
	RA241	NRB04CJ-392W	NET RESISTOR	3.9kΩ J	1	
	CN201	QGF0534F6-14X	CONNECTOR	FFC/FPC (1-14)	1	
	CN202	QGF0534F6-12X	CONNECTOR	FFC/FPC (1-12)	1	
	CN231	QGA2001F1-02	CONNECTOR	W-B (1-2)	1	A,B,C,D,E,F,G,M
	CN261	QGA2001C1-07	CONNECTOR	W-B (1-7)	1	B,D,E,G,I,K,L
	CN262	QGA2001C1-06	CONNECTOR	W-B (1-6)	1	B,D,E,G,I,K,L
	J201	QNN0875-001	PIN JACK		1	
	J2000	QNS0283-001	3.5 JACK		1	A,B,C,D,E,F,G,M
	P201	QZW0112-002	WIRE CLAMP		1	
	P202	QZW0010-001	STYLE PIN		1	A,B,C,D,E,F,G,M
	P203	QZW0112-002	WIRE CLAMP		1	B,D,E,G,I,K,L
	VA201	NAF0034-270X	VARIATOR(ZNR)	27V	1	
	VA210	NAF0034-270X	VARIATOR(ZNR)	27V	1	B,D,E,G,I,K,L
	VA220	NAF0034-270X	VARIATOR(ZNR)	27V	1	B,D,E,G,I,K,L
	VA233	NAF0034-270X	VARIATOR(ZNR)	27V	1	
	VA241	NAF0034-270X	VARIATOR(ZNR)	27V	1	
	VA249	NAF0034-270X	VARIATOR(ZNR)	27V	1	
	VA251	NAF0034-270X	VARIATOR(ZNR)	27V	1	B,D,E,G,I,K,L
	VA252	NAF0034-270X	VARIATOR(ZNR)	27V	1	B,D,E,G,I,K,L
	VA261	NAF0034-270X	VARIATOR(ZNR)	27V	1	B,D,E,G,I,K,L
	VA271	NAF0034-270X	VARIATOR(ZNR)	27V	1	B,D,E,G,I,K,L
	VA281	NAF0034-270X	VARIATOR(ZNR)	27V	1	B,D,E,G,I,K,L
	VA291	NAF0034-270X	VARIATOR(ZNR)	27V	1	B,D,E,G,I,K,L
<b>BT UNIT &lt;05&gt;</b>						
	IC301	TCC8600	IC		1	A,B,C,D,E,F,G,M
	IC302	JVM501D	PROGRAMED IC		1	A,B,C,D,E,F,G,M
	IC303	A3V28S40FTP-G6	IC		1	A,B,C,D,E,F,G,M
	IC311	M24256-BRMN6-X	IC		1	A,B,C,D,E,F,G,M
	IC331	AK4387ET-X	IC		1	A,B,C,D,E,F,G,M
	IC332	NJM4565E-X	IC		1	A,B,C,D,E,F,G,M
	IC341	NJM4565E-X	IC		1	A,B,C,D,E,F,G,M
	IC371	XC6213B182NG-X	IC		1	A,B,C,D,E,F,G,M
	Q3001	DSA7504/QR/-X	TRANSISTOR		1	A,B,C,D,E,F,G,M
	Q3002	DRC9114E-X	DIGI TRANSISTOR		1	A,B,C,D,E,F,G,M
	Q3311	2SC1623A/5-6/-X	TRANSISTOR		1	A,B,C,D,E,F,G,M
	D3003	HSU119-X	SI DIODE		1	A,B,C,D,E,F,G,M
	D3311	RKZ6.2B2KG-X	Z DIODE		1	A,B,C,D,E,F,G,M
	D3312	HSU119-X	SI DIODE		1	A,B,C,D,E,F,G,M
	C311	NCB20JK-106X	C CAPACITOR	10uF 6.3V K	1	A,B,C,D,E,F,G,M
	C331	NCB20JK-106X	C CAPACITOR	10uF 6.3V K	1	A,B,C,D,E,F,G,M
	C333	NCBA1AK-104W	C CAPACITOR	0.1uF 10V K	1	A,B,C,D,E,F,G,M
	C335	NCBA1AK-104W	C CAPACITOR	0.1uF 10V K	1	A,B,C,D,E,F,G,M
	C337	NCBA1AK-104W	C CAPACITOR	0.1uF 10V K	1	A,B,C,D,E,F,G,M
	C339	NCB20JK-106X	C CAPACITOR	10uF 6.3V K	1	A,B,C,D,E,F,G,M
	C341	NCBA1AK-104W	C CAPACITOR	0.1uF 10V K	1	A,B,C,D,E,F,G,M
	C343	NCBA1AK-104W	C CAPACITOR	0.1uF 10V K	1	A,B,C,D,E,F,G,M
	C371	NCBA1AK-104W	C CAPACITOR	0.1uF 10V K	1	A,B,C,D,E,F,G,M
	C372	NCB21AK-225X	C CAPACITOR	2.2uF 10V K	1	A,B,C,D,E,F,G,M
	C3001	NCB20JK-106X	C CAPACITOR	10uF 6.3V K	1	A,B,C,D,E,F,G,M
	C3010	NCBA1CK-103W	C CAPACITOR	0.01uF 16V K	1	A,B,C,D,E,F,G,M
	C3100	NCBA1CK-103W	C CAPACITOR	0.01uF 16V K	1	A,B,C,D,E,F,G,M
	C3102	NCBA1HK-821W	C CAPACITOR	820pF 50V K	1	A,B,C,D,E,F,G,M
	C3103	NCBA1HJ-151W	C CAPACITOR	150pF 50V J	1	A,B,C,D,E,F,G,M
	C3104	NCB31CK-105X	C CAPACITOR	1uF 16V K	1	A,B,C,D,E,F,G,M
	C3142	NCB31CK-105X	C CAPACITOR	1uF 16V K	1	A,B,C,D,E,F,G,M
	C3143	NCBA1HJ-471W	C CAPACITOR	470pF 50V J	1	A,B,C,D,E,F,G,M
	C3145	NCBA1CK-123W	C CAPACITOR	0.012uF 16V K	1	A,B,C,D,E,F,G,M
	C3146	NCBA1CK-123W	C CAPACITOR	0.012uF 16V K	1	A,B,C,D,E,F,G,M
	C3147	NCBA1AK-104W	C CAPACITOR	0.1uF 10V K	1	A,B,C,D,E,F,G,M
	C3151	NCB31CK-105X	C CAPACITOR	1uF 16V K	1	A,B,C,D,E,F,G,M
	C3152	NCB31CK-105X	C CAPACITOR	1uF 16V K	1	A,B,C,D,E,F,G,M
	C3202	NCBA1HK-821W	C CAPACITOR	820pF 50V K	1	A,B,C,D,E,F,G,M
	C3203	NCBA1HJ-151W	C CAPACITOR	150pF 50V J	1	A,B,C,D,E,F,G,M
	C3204	NCB31CK-105X	C CAPACITOR	1uF 16V K	1	A,B,C,D,E,F,G,M
	C3241	NCBA1HK-102W	C CAPACITOR	1000pF 50V K	1	A,B,C,D,E,F,G,M
	C3242	NCB31CK-105X	C CAPACITOR	1uF 16V K	1	A,B,C,D,E,F,G,M
	C3243	NCBA1HJ-471W	C CAPACITOR	470pF 50V J	1	A,B,C,D,E,F,G,M
	C3301	NEAF1CM-107X	E CAPACITOR	100uF 16V M	1	A,B,C,D,E,F,G,M
	C3302	NCBA1AK-104W	C CAPACITOR	0.1uF 10V K	1	A,B,C,D,E,F,G,M
	C3303	NEAF1CM-476X	E CAPACITOR	47uF 16V M	1	A,B,C,D,E,F,G,M
	C3304	NCBA1CK-123W	C CAPACITOR	0.012uF 16V K	1	A,B,C,D,E,F,G,M
	C3311	NEAF1CM-107X	E CAPACITOR	100uF 16V M	1	A,B,C,D,E,F,G,M
	C3322	NCBA1CK-104W	C CAPACITOR	0.1uF 16V K	1	A,B,C,D,E,F,G,M
	C3323	NEAF1CM-476X	E CAPACITOR	47uF 16V M	1	A,B,C,D,E,F,G,M
	C3324	NCBA1HK-821W	C CAPACITOR	820pF 50V K	1	A,B,C,D,E,F,G,M
	C3325	NCBA1HJ-151W	C CAPACITOR	150pF 50V J	1	A,B,C,D,E,F,G,M
	C3326	NCB31CK-105X	C CAPACITOR	1uF 16V K	1	A,B,C,D,E,F,G,M
	C3407	NCBA1AK-104W	C CAPACITOR	0.1uF 10V K	1	A,B,C,D,E,F,G,M
	C3409	NCBA1AK-104W	C CAPACITOR	0.1uF 10V K	1	A,B,C,D,E,F,G,M

MODEL	MARK	MODEL	MARK	MODEL	MARK	MODEL	MARK
KW-ADV64BTJ	A	KW-AV60BTA	B	KW-AV60BTE	C	KW-AV60BTEE	D
KW-AV60BTEU	E	KW-AV60BTJ	F	KW-AV60BTU	G	KW-AV60E	H
KW-AV60EU	I	KW-AV60J	J	KW-AV60U	K	KW-AV60UF	L
KW-AV68BTJW	M						

Safe	Symbol No.	Parts No.	Parts Name	Description	QTY	Local
	C3410	NCBA1AK-104W	C CAPACITOR	0.1uF 10V K	1	A,B,C,D,E,F,G,M
	C3419	NCBA1AK-104W	C CAPACITOR	0.1uF 10V K	1	A,B,C,D,E,F,G,M
	C3424	NCBA1AK-104W	C CAPACITOR	0.1uF 10V K	1	A,B,C,D,E,F,G,M
	C3426	NCBA1AK-104W	C CAPACITOR	0.1uF 10V K	1	A,B,C,D,E,F,G,M
	C3440	NCBA1AK-104W	C CAPACITOR	0.1uF 10V K	1	A,B,C,D,E,F,G,M
	C3443	NCBA1AK-104W	C CAPACITOR	0.1uF 10V K	1	A,B,C,D,E,F,G,M
	C3454	NDCA1HJ-270W	C CAPACITOR	27pF 50V J	1	A,B,C,D,E,F,G,M
	C3455	NDCA1HJ-330W	C CAPACITOR	33pF 50V J	1	A,B,C,D,E,F,G,M
	C3458	NCBA1AK-104W	C CAPACITOR	0.1uF 10V K	1	A,B,C,D,E,F,G,M
	C3465	NCBA1AK-104W	C CAPACITOR	0.1uF 10V K	1	A,B,C,D,E,F,G,M
	C3468	NCBA1CK-103W	C CAPACITOR	0.01uF 16V K	1	A,B,C,D,E,F,G,M
	C3469	NCBA1AK-104W	C CAPACITOR	0.1uF 10V K	1	A,B,C,D,E,F,G,M
	C3472	NCBA1HK-122W	C CAPACITOR	1200pF 50V K	1	A,B,C,D,E,F,G,M
	C3473	NCJA0JK-105W-R	C CAPACITOR	1uF 6.3V K	1	A,B,C,D,E,F,G,M
	C3475	NDCA1HJ-331W	C CAPACITOR	330pF 50V J	1	A,B,C,D,E,F,G,M
	C3477	NCB31CK-154X	C CAPACITOR	0.15uF 10V K	1	A,B,C,D,E,F,G,M
	C3484	NCBA1AK-104W	C CAPACITOR	0.1uF 10V K	1	A,B,C,D,E,F,G,M
	C3491	NCBA1AK-104W	C CAPACITOR	0.1uF 10V K	1	A,B,C,D,E,F,G,M
	C3492	NCBA1CK-473W	C CAPACITOR	0.047uF 16V K	1	A,B,C,D,E,F,G,M
	C3524	NCBA1AK-104W	C CAPACITOR	0.1uF 10V K	1	A,B,C,D,E,F,G,M
	C3575	NDCA1HJ-220W	C CAPACITOR	22pF 50V J	1	A,B,C,D,E,F,G,M
	R322	NRSA6AJ-472W	MG RESISTOR	4.7kΩ 1/16W J	1	A,B,C,D,E,F,G,M
	R323	NRSA6AJ-473W	MG RESISTOR	47kΩ 1/16W J	1	A,B,C,D,E,F,G,M
	R324	NRSA6AJ-472W	MG RESISTOR	4.7kΩ 1/16W J	1	A,B,C,D,E,F,G,M
	R3001	NRSA6AJ-472W	MG RESISTOR	4.7kΩ 1/16W J	1	A,B,C,D,E,F,G,M
	R3002	NRSA6AJ-471W	MG RESISTOR	470Ω 1/16W J	1	A,B,C,D,E,F,G,M
	R3003	NRSA6AJ-103W	MG RESISTOR	10kΩ 1/16W J	1	A,B,C,D,E,F,G,M
	R3004	NRSA6AJ-153W	MG RESISTOR	15kΩ 1/16W J	1	A,B,C,D,E,F,G,M
	R3005	NRSA6AJ-153W	MG RESISTOR	15kΩ 1/16W J	1	A,B,C,D,E,F,G,M
	R3008	NRSA6AJ-102W	MG RESISTOR	1kΩ 1/16W J	1	A,B,C,D,E,F,G,M
	R3010	NRSA6AJ-100W	MG RESISTOR	10Ω 1/16W J	1	A,B,C,D,E,F,G,M
	R3101	NRSA6AJ-223W	MG RESISTOR	22kΩ 1/16W J	1	A,B,C,D,E,F,G,M
	R3102	NRSA6AJ-243W	MG RESISTOR	24kΩ 1/16W J	1	A,B,C,D,E,F,G,M
	R3103	NRSA6AJ-153W	MG RESISTOR	15kΩ 1/16W J	1	A,B,C,D,E,F,G,M
	R3142	NRSA6AJ-122W	MG RESISTOR	1.2kΩ 1/16W J	1	A,B,C,D,E,F,G,M
	R3143	NRSA6AJ-124W	MG RESISTOR	120kΩ 1/16W J	1	A,B,C,D,E,F,G,M
	R3144	NRSA6AJ-822W	MG RESISTOR	8.2kΩ 1/16W J	1	A,B,C,D,E,F,G,M
	R3145	NRSA6AJ-333W	MG RESISTOR	33kΩ 1/16W J	1	A,B,C,D,E,F,G,M
	R3146	NRSA6AJ-103W	MG RESISTOR	10kΩ 1/16W J	1	A,B,C,D,E,F,G,M
	R3151	NRSA6AJ-103W	MG RESISTOR	10kΩ 1/16W J	1	A,B,C,D,E,F,G,M
	R3152	NRSA6AJ-103W	MG RESISTOR	10kΩ 1/16W J	1	A,B,C,D,E,F,G,M
	R3201	NRSA6AJ-223W	MG RESISTOR	22kΩ 1/16W J	1	A,B,C,D,E,F,G,M
	R3202	NRSA6AJ-243W	MG RESISTOR	24kΩ 1/16W J	1	A,B,C,D,E,F,G,M
	R3203	NRSA6AJ-153W	MG RESISTOR	15kΩ 1/16W J	1	A,B,C,D,E,F,G,M
	R3241	NRSA6AJ-822W	MG RESISTOR	8.2kΩ 1/16W J	1	A,B,C,D,E,F,G,M
	R3242	NRSA6AJ-122W	MG RESISTOR	1.2kΩ 1/16W J	1	A,B,C,D,E,F,G,M
	R3243	NRSA6AJ-124W	MG RESISTOR	120kΩ 1/16W J	1	A,B,C,D,E,F,G,M
	R3311	NRSA6AJ-122W	MG RESISTOR	1.2kΩ 1/16W J	1	A,B,C,D,E,F,G,M
	R3312	NRSA6AJ-680W	MG RESISTOR	68Ω 1/16W J	1	A,B,C,D,E,F,G,M
	R3313	NRSA6AJ-680W	MG RESISTOR	68Ω 1/16W J	1	A,B,C,D,E,F,G,M
	R3321	NRSA6AJ-103W	MG RESISTOR	10kΩ 1/16W J	1	A,B,C,D,E,F,G,M
	R3322	NRSA6AJ-103W	MG RESISTOR	10kΩ 1/16W J	1	A,B,C,D,E,F,G,M
	R3323	NRSA6AJ-223W	MG RESISTOR	22kΩ 1/16W J	1	A,B,C,D,E,F,G,M
	R3324	NRSA6AJ-243W	MG RESISTOR	24kΩ 1/16W J	1	A,B,C,D,E,F,G,M
	R3325	NRSA6AJ-153W	MG RESISTOR	15kΩ 1/16W J	1	A,B,C,D,E,F,G,M
	R3326	NRSA6AJ-473W	MG RESISTOR	47kΩ 1/16W J	1	A,B,C,D,E,F,G,M
	R3404	NRSA6AJ-102W	MG RESISTOR	1kΩ 1/16W J	1	A,B,C,D,E,F,G,M
	R3415	NRSA6AJ-103W	MG RESISTOR	10kΩ 1/16W J	1	A,B,C,D,E,F,G,M
	R3444	NRSA6AJ-470W	MG RESISTOR	47Ω 1/16W J	1	A,B,C,D,E,F,G,M
	R3446	NRSA6AJ-470W	MG RESISTOR	47Ω 1/16W J	1	A,B,C,D,E,F,G,M
	R3447	NRSA6AJ-470W	MG RESISTOR	47Ω 1/16W J	1	A,B,C,D,E,F,G,M
	R3454	NRSA6AJ-151W	MG RESISTOR	150Ω 1/16W J	1	A,B,C,D,E,F,G,M
	R3455	NRSA6AJ-105W	MG RESISTOR	1MΩ 1/16W J	1	A,B,C,D,E,F,G,M
	R3460	NRSA6AJ-472W	MG RESISTOR	4.7kΩ 1/16W J	1	A,B,C,D,E,F,G,M
	R3463	NRSA6AJ-101W	MG RESISTOR	100Ω 1/16W J	1	A,B,C,D,E,F,G,M
	R3468	NRSA6AJ-223W	MG RESISTOR	22kΩ 1/16W J	1	A,B,C,D,E,F,G,M
	R3469	NRSA6AJ-223W	MG RESISTOR	22kΩ 1/16W J	1	A,B,C,D,E,F,G,M
	R3478	NRSA6AJ-472W	MG RESISTOR	4.7kΩ 1/16W J	1	A,B,C,D,E,F,G,M
	R3479	NRSA6AJ-153W	MG RESISTOR	15kΩ 1/16W J	1	A,B,C,D,E,F,G,M
	R3480	NRSA6AJ-153W	MG RESISTOR	15kΩ 1/16W J	1	A,B,C,D,E,F,G,M
	R3482	NRSA6AJ-330W	MG RESISTOR	33Ω 1/16W J	1	A,B,C,D,E,F,G,M
	R3483	NRSA6AJ-330W	MG RESISTOR	33Ω 1/16W J	1	A,B,C,D,E,F,G,M
	R3491	NRSA6AJ-103W	MG RESISTOR	10kΩ 1/16W J	1	A,B,C,D,E,F,G,M
	R3493	NRSA6AJ-271W	MG RESISTOR	270Ω 1/16W J	1	A,B,C,D,E,F,G,M
	R3494	NRSA6AJ-271W	MG RESISTOR	270Ω 1/16W J	1	A,B,C,D,E,F,G,M
	R3577	NRSA6AJ-472W	MG RESISTOR	4.7kΩ 1/16W J	1	A,B,C,D,E,F,G,M
	R3586	NRSA6AJ-472W	MG RESISTOR	4.7kΩ 1/16W J	1	A,B,C,D,E,F,G,M
	R3587	NRSA6AJ-472W	MG RESISTOR	4.7kΩ 1/16W J	1	A,B,C,D,E,F,G,M
	R3589	NRSA6AJ-472W	MG RESISTOR	4.7kΩ 1/16W J	1	A,B,C,D,E,F,G,M
	R3593	NRSA6AJ-472W	MG RESISTOR	4.7kΩ 1/16W J	1	A,B,C,D,E,F,G,M
	R3594	NRSA6AJ-472W	MG RESISTOR	4.7kΩ 1/16W J	1	A,B,C,D,E,F,G,M
	RA301	NRB04CJ-680W	NET RESISTOR	68Ω J	1	A,B,C,D,E,F,G,M
	RA302	NRB04CJ-680W	NET RESISTOR	68Ω J	1	A,B,C,D,E,F,G,M
	RA303	NRB04CJ-680W	NET RESISTOR	68Ω J	1	A,B,C,D,E,F,G,M
	RA304	NRB04CJ-680W	NET RESISTOR	68Ω J	1	A,B,C,D,E,F,G,M
	RA305	NRB04CJ-470W	NET RESISTOR	47Ω J	1	A,B,C,D,E,F,G,M
	RA306	NRB04CJ-472W	NET RESISTOR	4.7kΩ J	1	A,B,C,D,E,F,G,M

MODEL	MARK	MODEL	MARK	MODEL	MARK	MODEL	MARK
KW-ADV64BTJ	A	KW-AV60BTA	B	KW-AV60BTE	C	KW-AV60BTEE	D
KW-AV60BTEU	E	KW-AV60BTJ	F	KW-AV60BTU	G	KW-AV60E	H
KW-AV60EU	I	KW-AV60J	J	KW-AV60U	K	KW-AV60UF	L
KW-AV68BTJW	M						

Safe	Symbol No.	Parts No.	Parts Name	Description	QTY	Local
	RA307	NRB04CJ-101W	NET RESISTOR	100Ω J	1	A,B,C,D,E,F,G,M
	L3001	NQR0692-001X	CHOKE COIL		1	A,B,C,D,E,F,G,M
	L3301	NQL79GM-470X	COIL	47uH M	1	A,B,C,D,E,F,G,M
	L3462	NQL093K-1R8X	P COIL	1.8uH K	1	A,B,C,D,E,F,G,M
	L3473	NQL79GM-330X	COIL	33uH M	1	A,B,C,D,E,F,G,M
	B301	NRSA6AJ-0R0W	MG RESISTOR	0Ω 1/16W J	1	A,B,C,D,E,F,G,M
	CN301	QNZ1037-001	USB CONNECTOR		1	A,B,C,D,E,F,G,M
	CN311	QGF0534F6-12X	CONNECTOR	FFC/FPC (1-12)	1	A,B,C,D,E,F,G,M
	CN341	QGA2001F6-02X	CONNECTOR	W-B (1-2)	1	A,B,C,D,E,F,G,M
	X3402	NAX1168-001X	CRYSTAL		1	A,B,C,D,E,F,G,M

DVD UNIT (FMU-XS2-11D) IN DVD MECHA <06>

	IC101	RT3CLLM/EF/-X	TRANSISTOR		1	
	IC102	RT3K11M-X	MOS FET ARRAY		1	
	IC201	BD8215EFV-X	IC		1	
	IC301	MN2DS0040MA	IC		1	
	IC381	JVM531H	PROGRAMED IC		1	
	IC391	A3V28S40FTP-G6	IC		1	
	IC401	AK4387ET-X	IC		1	
	IC501	BR24T32FVT-W-X	IC		1	
	IC551	MFI337S3959-X	IC		1	
	IC901	MM3233CF-X	IC		1	
	IC921	BD12KA5FP-X	IC		1	
	Q4	DSC2001/R/-X	TRANSISTOR		1	
	Q11	DSC2001/R/-X	TRANSISTOR		1	
	Q12	LTC044EEB-X	DIGI TRANSISTOR		1	
	Q12 or	KRC404E-X	DIGI TRANSISTOR		1	
	Q12 or	DRC9144E-X	DIGI TRANSISTOR		1	
	Q101	2SB1424/R/-W	TRANSISTOR		1	
	Q101 or	2SA1363/EF/-X	TRANSISTOR		1	
	Q102	2SB1424/R/-W	TRANSISTOR		1	
	Q102 or	2SA1363/EF/-X	TRANSISTOR		1	
	Q103	2SC4617/QR/-X	TRANSISTOR		1	
	Q103 or	KTC4075E/YG/-X	TRANSISTOR		1	
	Q271	LTC014EEB-X	DIGI TRANSISTOR		1	
	Q271 or	KRC402E-X	DIGI TRANSISTOR		1	
	Q271 or	DRC9114E-X	DIGI TRANSISTOR		1	
	Q302	LTC044EEB-X	DIGI TRANSISTOR		1	
	Q302 or	KRC404E-X	DIGI TRANSISTOR		1	
	Q302 or	DRC9144E-X	DIGI TRANSISTOR		1	
	Q341	LTC044EEB-X	DIGI TRANSISTOR		1	
	Q341 or	KRC404E-X	DIGI TRANSISTOR		1	
	Q341 or	DRC9144E-X	DIGI TRANSISTOR		1	
	D6	AN1102W-6-X	IR LED		1	
	D7	AN1102W-6-X	IR LED		1	
	D9	PS1192HB-22-X	PHOTO TRANSISTOR		1	
	D11	PS1192HB-22-X	PHOTO TRANSISTOR		1	
	C101	NCJ20JM-226X-A	C CAPACITOR	22uF 6.3V M	1	
	C102	NCJ10JM-476X-A	C CAPACITOR	47uF 6.3V M	1	
	C103	NCJ10JM-476X-A	C CAPACITOR	47uF 6.3V M	1	
	C104	NCBA1CK-104W	C CAPACITOR	0.1uF 16V K	1	
	C105	NCBA1CK-104W	C CAPACITOR	0.1uF 16V K	1	
	C106	NCBA1CK-104W	C CAPACITOR	0.1uF 16V K	1	
	C107	NCBA1CK-104W	C CAPACITOR	0.1uF 16V K	1	
	C108	NCBA1CK-104W	C CAPACITOR	0.1uF 16V K	1	
	C109	NCBA1CK-104W	C CAPACITOR	0.1uF 16V K	1	
	C110	NCBA1CK-104W	C CAPACITOR	0.1uF 16V K	1	
	C111	NCB31CK-105X	C CAPACITOR	1uF 16V K	1	
	C112	NCB31CK-105X	C CAPACITOR	1uF 16V K	1	
	C113	NCBA1CK-104W	C CAPACITOR	0.1uF 16V K	1	
	C121	NCBA1CK-104W	C CAPACITOR	0.1uF 16V K	1	
	C122	NCBA1CK-333W	C CAPACITOR	0.033uF 16V K	1	
	C123	NCBA1CK-104W	C CAPACITOR	0.1uF 16V K	1	
	C124	NCBA1CK-104W	C CAPACITOR	0.1uF 16V K	1	
	C131	NCBA1HK-272W	C CAPACITOR	2700pF 50V K	1	
	C133	NCB31CK-684X	C CAPACITOR	0.68uF 16V K	1	
	C134	NCB31CK-684X	C CAPACITOR	0.68uF 16V K	1	
	C135	NCBA1CK-104W	C CAPACITOR	0.1uF 16V K	1	
	C136	NCBA1CK-104W	C CAPACITOR	0.1uF 16V K	1	
	C137	NCBA1CK-104W	C CAPACITOR	0.1uF 16V K	1	
	C138	NCBA1CK-104W	C CAPACITOR	0.1uF 16V K	1	
	C141	NCBA1CK-104W	C CAPACITOR	0.1uF 16V K	1	
	C151	NCBA1CK-104W	C CAPACITOR	0.1uF 16V K	1	
	C201	NCJ41CK-476X-A	C CAPACITOR	47uF 16V K	1	
	C203	NCJ41CK-476X-A	C CAPACITOR	47uF 16V K	1	
	C207	NCBA1CK-104W	C CAPACITOR	0.1uF 16V K	1	
	C208	NCBA1HK-222W	C CAPACITOR	2200pF 50V K	1	
	C209	NCBA1HK-102W	C CAPACITOR	1000pF 50V K	1	
	C210	NCBA1HK-102W	C CAPACITOR	1000pF 50V K	1	
	C211	NCBA1HK-102W	C CAPACITOR	1000pF 50V K	1	
	C212	NCBA1CK-104W	C CAPACITOR	0.1uF 16V K	1	
	C213	NCBA1CK-104W	C CAPACITOR	0.1uF 16V K	1	
	C214	NCBA1CK-104W	C CAPACITOR	0.1uF 16V K	1	
	C215	NCBA1CK-104W	C CAPACITOR	0.1uF 16V K	1	
	C218	NCBA1HK-102W	C CAPACITOR	1000pF 50V K	1	
	C219	NCBA1CK-104W	C CAPACITOR	0.1uF 16V K	1	
	C220	NCBA1CK-104W	C CAPACITOR	0.1uF 16V K	1	
	C221	NCB31CK-105X	C CAPACITOR	1uF 16V K	1	
	C241	NCBA1EK-223W	C CAPACITOR	0.022uF 25V K	1	
	C242	NCBA1EK-223W	C CAPACITOR	0.022uF 25V K	1	

MODEL	MARK	MODEL	MARK	MODEL	MARK	MODEL	MARK
KW-ADV64BTJ	A	KW-AV60BTA	B	KW-AV60BTE	C	KW-AV60BTEE	D
KW-AV60BTEU	E	KW-AV60BTJ	F	KW-AV60BTU	G	KW-AV60E	H
KW-AV60EU	I	KW-AV60J	J	KW-AV60U	K	KW-AV60UF	L
KW-AV68BTJW	M						

Safe	Symbol No.	Parts No.	Parts Name	Description	QTY	Local
	C251	NCBA1HK-221W	C CAPACITOR	220pF 50V K	1	
	C261	NDCA1HJ-181W	C CAPACITOR	180pF 50V J	1	
	C301	NCBA1CK-104W	C CAPACITOR	0.1uF 16V K	1	
	C302	NCBA1CK-104W	C CAPACITOR	0.1uF 16V K	1	
	C303	NCBA1CK-104W	C CAPACITOR	0.1uF 16V K	1	
	C304	NCBA1CK-104W	C CAPACITOR	0.1uF 16V K	1	
	C305	NCBA1CK-104W	C CAPACITOR	0.1uF 16V K	1	
	C306	NCBA1CK-104W	C CAPACITOR	0.1uF 16V K	1	
	C307	NCBA1CK-104W	C CAPACITOR	0.1uF 16V K	1	
	C308	NCBA1CK-104W	C CAPACITOR	0.1uF 16V K	1	
	C309	NCBA1CK-104W	C CAPACITOR	0.1uF 16V K	1	
	C310	NCBA1EK-103W	C CAPACITOR	0.01uF 25V K	1	
	C311	NCBA1CK-104W	C CAPACITOR	0.1uF 16V K	1	
	C314	NCBA1HK-122W	C CAPACITOR	1200pF 50V K	1	
	C315	NCBA1HK-122W	C CAPACITOR	1200pF 50V K	1	
	C316	NCB31CK-105X	C CAPACITOR	1uF 16V K	1	
	C317	NCB31CK-105X	C CAPACITOR	1uF 16V K	1	
	C318	NCB31CK-105X	C CAPACITOR	1uF 16V K	1	
	C319	NCBA1CK-104W	C CAPACITOR	0.1uF 16V K	1	
	C320	NCBA1CK-104W	C CAPACITOR	0.1uF 16V K	1	
	C322	NCBA1CK-104W	C CAPACITOR	0.1uF 16V K	1	
	C324	NCBA1CK-104W	C CAPACITOR	0.1uF 16V K	1	
	C325	NCBA1CK-104W	C CAPACITOR	0.1uF 16V K	1	
	C326	NCBA1EK-103W	C CAPACITOR	0.01uF 25V K	1	
	C327	NCBA1CK-104W	C CAPACITOR	0.1uF 16V K	1	
	C329	NCBA1CK-104W	C CAPACITOR	0.1uF 16V K	1	
	C330	NCBA1CK-104W	C CAPACITOR	0.1uF 16V K	1	
	C331	NCBA1CK-104W	C CAPACITOR	0.1uF 16V K	1	
	C332	NCBA1CK-104W	C CAPACITOR	0.1uF 16V K	1	
	C333	NCBA1CK-104W	C CAPACITOR	0.1uF 16V K	1	
	C351	NDCA1HJ-120W	C CAPACITOR	12pF 50V J	1	
	C352	NDCA1HJ-120W	C CAPACITOR	12pF 50V J	1	
	C381	NCB10JK-226X-R	C CAPACITOR	22uF 6.3V K	1	
	C382	NCBA1CK-104W	C CAPACITOR	0.1uF 16V K	1	
	C391	NCJ20JM-226X-A	C CAPACITOR	22uF 6.3V M	1	
	C392	NCBA1CK-104W	C CAPACITOR	0.1uF 16V K	1	
	C394	NCBA1CK-104W	C CAPACITOR	0.1uF 16V K	1	
	C395	NCBA1CK-104W	C CAPACITOR	0.1uF 16V K	1	
	C396	NCBA1CK-104W	C CAPACITOR	0.1uF 16V K	1	
	C397	NCBA1CK-104W	C CAPACITOR	0.1uF 16V K	1	
	C398	NCBA1CK-104W	C CAPACITOR	0.1uF 16V K	1	
	C399	NCBA1CK-104W	C CAPACITOR	0.1uF 16V K	1	
	C401	NCJ11AK-476X-A	C CAPACITOR	47uF 10V K	1	
	C402	NCBA1CK-104W	C CAPACITOR	0.1uF 16V K	1	
	C403	NCBA1CK-104W	C CAPACITOR	0.1uF 16V K	1	
	C404	NCB10JK-226X-R	C CAPACITOR	22uF 6.3V K	1	
	C405	NCBA1CK-104W	C CAPACITOR	0.1uF 16V K	1	
	C406	NCBA1HK-331W	C CAPACITOR	330pF 50V K	1	
	C411	NCBA1CK-473W	C CAPACITOR	0.047uF 16V K	1	
	C412	NDCA1HJ-101W	C CAPACITOR	100pF 50V J	1	
	C501	NCBA1CK-104W	C CAPACITOR	0.1uF 16V K	1	
	C511	NCBA1CK-104W	C CAPACITOR	0.1uF 16V K	1	
	C701	NCBA1CK-104W	C CAPACITOR	0.1uF 16V K	1	
	C702	NCBA1CK-104W	C CAPACITOR	0.1uF 16V K	1	
	C703	NCBA1CK-104W	C CAPACITOR	0.1uF 16V K	1	
	C704	NCBA1CK-104W	C CAPACITOR	0.1uF 16V K	1	
	C705	NCBA1CK-104W	C CAPACITOR	0.1uF 16V K	1	
	C901	NCB31CK-105X	C CAPACITOR	1uF 16V K	1	
	C902	NCB31CK-105X	C CAPACITOR	1uF 16V K	1	
	C911	NCJ10JM-476X-A	C CAPACITOR	47uF 6.3V M	1	
	C912	NCBA1CK-104W	C CAPACITOR	0.1uF 16V K	1	
	C913	NCJ20JM-226X-A	C CAPACITOR	22uF 6.3V M	1	
	C914	NCBA1CK-104W	C CAPACITOR	0.1uF 16V K	1	
	C921	NCB31CK-105X	C CAPACITOR	1uF 16V K	1	
	C923	NCB31CK-105X	C CAPACITOR	1uF 16V K	1	
	R11	NRSA63J-391X	MG RESISTOR	390Ω 1/16W J	1	
	R12	NRSA6AJ-184W	MG RESISTOR	180kΩ 1/16W J	1	
	R13	NRSA6AJ-103W	MG RESISTOR	10kΩ 1/16W J	1	
	R15	NRSA6AJ-822W	MG RESISTOR	8.2kΩ 1/16W J	1	
	R17	NRSA6AJ-473W	MG RESISTOR	47kΩ 1/16W J	1	
	R21	NRSA63J-391X	MG RESISTOR	390Ω 1/16W J	1	
	R101	NRSA6AJ-471W	MG RESISTOR	470Ω 1/16W J	1	
	R102	NRSA6AJ-471W	MG RESISTOR	470Ω 1/16W J	1	
	R103	NRSA6AJ-102W	MG RESISTOR	1kΩ 1/16W J	1	
	R104	NRSA63J-2R2X	MG RESISTOR	2.2Ω 1/16W J	1	
	R105	NRZ0122-270X	MG RESISTOR	27Ω	1	
	R106	NRSA6AJ-242W	MG RESISTOR	2.4kΩ 1/16W J	1	
	R107	NRSA6AJ-432W	MG RESISTOR	4.3kΩ 1/16W J	1	
	R111	NRSA6AJ-471W	MG RESISTOR	470Ω 1/16W J	1	
	R112	NRSA6AJ-471W	MG RESISTOR	470Ω 1/16W J	1	
	R113	NRSA6AJ-102W	MG RESISTOR	1kΩ 1/16W J	1	
	R114	NRSA63J-2R2X	MG RESISTOR	2.2Ω 1/16W J	1	
	R115	NRZ0122-390X	MG RESISTOR	39Ω	1	
	R116	NRSA6AJ-242W	MG RESISTOR	2.4kΩ 1/16W J	1	
	R117	NRSA6AJ-432W	MG RESISTOR	4.3kΩ 1/16W J	1	
	R121	NRSA6AJ-910W	MG RESISTOR	91Ω 1/16W J	1	
	R122	NRSA6AJ-910W	MG RESISTOR	91Ω 1/16W J	1	

MODEL	MARK	MODEL	MARK	MODEL	MARK	MODEL	MARK
KW-ADV64BTJ	A	KW-AV60BTA	B	KW-AV60BTE	C	KW-AV60BTEE	D
KW-AV60BTEU	E	KW-AV60BTJ	F	KW-AV60BTU	G	KW-AV60E	H
KW-AV60EU	I	KW-AV60J	J	KW-AV60U	K	KW-AV60UF	L
KW-AV68BTJW	M						

Safe	Symbol No.	Parts No.	Parts Name	Description	QTY	Local
	R123	NRSA6AJ-104W	MG RESISTOR	100kΩ 1/16W J	1	
	R124	NRSA6AJ-103W	MG RESISTOR	10kΩ 1/16W J	1	
	R125	NRSA6AJ-103W	MG RESISTOR	10kΩ 1/16W J	1	
	R126	NRSA63J-150X	MG RESISTOR	15Ω 1/16W J	1	
	R131	NRSA63D-122X	MG RESISTOR	1.2kΩ 1/16W D	1	
	R132	NRSA63D-122X	MG RESISTOR	1.2kΩ 1/16W D	1	
	R139	NRSA63J-0R0X	MG RESISTOR	0Ω 1/10W J	1	
	R141	NRSA63D-332X	MG RESISTOR	3.3kΩ 1/16W D	1	
	R142	NRSA6AJ-162W	MG RESISTOR	1.6kΩ 1/16W J	1	
	R151	NRSA6AJ-472W	MG RESISTOR	4.7kΩ 1/16W J	1	
	R165	NRSA6AJ-473W	MG RESISTOR	47kΩ 1/16W J	1	
	R201	NRZ0098-R22X	MG RESISTOR	0.22Ω	1	
	R202	NRZ0098-R22X	MG RESISTOR	0.22Ω	1	
	R203	NRSA63J-101X	MG RESISTOR	100Ω 1/16W J	1	
	R204	NRZ0098-R47X	MG RESISTOR	0.47Ω	1	
	R205	NRZ0098-R47X	MG RESISTOR	0.47Ω	1	
	R206	NRSA63D-473X	MG RESISTOR	47kΩ 1/16W D	1	
	R212	NRSA63D-104X	MG RESISTOR	100kΩ 1/16W D	1	
	R213	NRSA6AJ-101W	MG RESISTOR	100Ω 1/16W J	1	
	R221	NRSA6AJ-102W	MG RESISTOR	1kΩ 1/16W J	1	
	R222	NRSA6AJ-102W	MG RESISTOR	1kΩ 1/16W J	1	
	R232	NRSA6AJ-473W	MG RESISTOR	47kΩ 1/16W J	1	
	R233	NRSA6AJ-104W	MG RESISTOR	100kΩ 1/16W J	1	
	R234	NRSA6AJ-104W	MG RESISTOR	100kΩ 1/16W J	1	
	R241	NRSA63J-223X	MG RESISTOR	22kΩ 1/16W J	1	
	R242	NRSA63J-103X	MG RESISTOR	10kΩ 1/16W J	1	
	R243	NRSA63J-223X	MG RESISTOR	22kΩ 1/16W J	1	
	R244	NRSA63J-103X	MG RESISTOR	10kΩ 1/16W J	1	
	R251	NRSA63J-393X	MG RESISTOR	39kΩ 1/16W J	1	
	R252	NRSA63J-203X	MG RESISTOR	20kΩ 1/16W J	1	
	R261	NRSA63J-333X	MG RESISTOR	33kΩ 1/16W J	1	
	R262	NRSA63D-753X	MG RESISTOR	75kΩ 1/16W D	1	
	R271	NRSA6AJ-623W	MG RESISTOR	62kΩ 1/16W J	1	
	R272	NRSA6AJ-152W	MG RESISTOR	1.5kΩ 1/16W J	1	
	R273	NRSA6AJ-622W	MG RESISTOR	6.2kΩ 1/16W J	1	
	R274	NRSA6AJ-391W	MG RESISTOR	390Ω 1/16W J	1	
	R302	NRSA6AJ-101W	MG RESISTOR	100Ω 1/16W J	1	
	R303	NRSA6AJ-101W	MG RESISTOR	100Ω 1/16W J	1	
	R304	NRSA6AJ-101W	MG RESISTOR	100Ω 1/16W J	1	
	R306	NRSA6AJ-331W	MG RESISTOR	330Ω 1/16W J	1	
	R307	NRSA6AJ-331W	MG RESISTOR	330Ω 1/16W J	1	
	R308	NRSA63J-152X	MG RESISTOR	1.5kΩ 1/16W J	1	
	R309	NRSA63J-152X	MG RESISTOR	1.5kΩ 1/16W J	1	
	R310	NRSA6AJ-103W	MG RESISTOR	10kΩ 1/16W J	1	
	R311	NRSA6AJ-223W	MG RESISTOR	22kΩ 1/16W J	1	
	R313	NRSA63J-181X	MG RESISTOR	180Ω 1/16W J	1	
	R314	NRSA63D-222X	MG RESISTOR	2.2kΩ 1/16W D	1	
	R315	NRSA63D-222X	MG RESISTOR	2.2kΩ 1/16W D	1	
	R319	NRSA63D-243X	MG RESISTOR	24kΩ 1/16W D	1	
	R323	NRSA6AJ-104W	MG RESISTOR	100kΩ 1/16W J	1	
	R327	NRSA6AJ-270W	MG RESISTOR	27Ω 1/16W J	1	
	R328	NRSA6AJ-102W	MG RESISTOR	1kΩ 1/16W J	1	
	R329	NRSA6AJ-102W	MG RESISTOR	1kΩ 1/16W J	1	
	R330	NRSA6AJ-103W	MG RESISTOR	10kΩ 1/16W J	1	
	R341	NRSA63J-103X	MG RESISTOR	10kΩ 1/16W J	1	
	R351	NRSA63J-105X	MG RESISTOR	1MΩ 1/16W J	1	
	R352	NRSA6AJ-102W	MG RESISTOR	1kΩ 1/16W J	1	
	R365	NRSA6AJ-103W	MG RESISTOR	10kΩ 1/16W J	1	
	R376	NRSA6AJ-822W	MG RESISTOR	8.2kΩ 1/16W J	1	
	R386	NRSA6AJ-184W	MG RESISTOR	180kΩ 1/16W J	1	
	R400	NRSA6AJ-153W	MG RESISTOR	15kΩ 1/16W J	1	
	R401	NRSA63J-100X	MG RESISTOR	10Ω 1/16W J	1	
	R402	NRSA6AJ-100W	MG RESISTOR	10Ω 1/16W J	1	
	R403	NRSA6AJ-103W	MG RESISTOR	10kΩ 1/16W J	1	
	R501	NRSA6AJ-103W	MG RESISTOR	10kΩ 1/16W J	1	
	R511	NRSA6AJ-103W	MG RESISTOR	10kΩ 1/16W J	1	
	R512	NRSA6AJ-103W	MG RESISTOR	10kΩ 1/16W J	1	
	R515	NRSA6AJ-103W	MG RESISTOR	10kΩ 1/16W J	1	
	R601	NRS181F-270X	MG RESISTOR	27Ω 1/8W F	1	
	R602	NRS181F-270X	MG RESISTOR	27Ω 1/8W F	1	
	R611	NRSA6AJ-153W	MG RESISTOR	15kΩ 1/16W J	1	
	R612	NRSA6AJ-153W	MG RESISTOR	15kΩ 1/16W J	1	
	R702	NRSA6AJ-102W	MG RESISTOR	1kΩ 1/16W J	1	
	R911	NRZ0098-R18X	MG RESISTOR	0.18Ω	1	
	B341	NRSA63J-0R0X	MG RESISTOR	0Ω 1/10W J	1	
	B411	NRSA63J-0R0X	MG RESISTOR	0Ω 1/10W J	1	
	CN101	QGF0522F2-30W	CONNECTOR	FFC/FPC (1-30)	1	
	CN201	QGF0523F3-20W	CONNECTOR	FFC/FPC (1-20)	1	
	CN401	QGF0534F6-50X	CONNECTOR	FFC/FPC (1-50)	1	
	K101	NQR0007-002X	FERRITE BEADS		1	
	K102	NQR0007-002X	FERRITE BEADS		1	
	K301	NQR0129-002X	FERRITE BEADS		1	
	K311	NQR0129-002X	FERRITE BEADS		1	
	K312	NQR0129-002X	FERRITE BEADS		1	
	K313	NQR0129-002X	FERRITE BEADS		1	
	K314	NQR0129-002X	FERRITE BEADS		1	
	K381	NRSA63J-0R0X	MG RESISTOR	0Ω 1/10W J	1	
	K391	NQR0502-001X	FERRITE BEADS		1	

MODEL	MARK	MODEL	MARK	MODEL	MARK	MODEL	MARK
KW-ADV64BTJ	A	KW-AV60BTA	B	KW-AV60BTE	C	KW-AV60BTEE	D
KW-AV60BTEU	E	KW-AV60BTJ	F	KW-AV60BTU	G	KW-AV60E	H
KW-AV60EU	I	KW-AV60J	J	KW-AV60U	K	KW-AV60UF	L
KW-AV68BTJW	M						

Safe	Symbol No.	Parts No.	Parts Name	Description	QTY	Local
	K703	NQR0022-005X	FERRITE BEADS		1	
	K707	NQR0022-005X	FERRITE BEADS		1	
	K708	NQR0022-005X	FERRITE BEADS		1	
	K709	NQR0022-005X	FERRITE BEADS		1	
	K711	NQR0022-005X	FERRITE BEADS		1	
	K712	NQR0022-005X	FERRITE BEADS		1	
	K714	NQR0022-005X	FERRITE BEADS		1	
	K911	NQR0502-001X	FERRITE BEADS		1	
	S1	NSW0313-001X	DETECT SWITCH		1	
	S1 or	NSW0225-001X	DETECT SWITCH		1	
	X351	NAX1135-001X	CRYSTAL		1	

DVD UNIT (FMU-XS2-31D) IN DVD MECHA <07>

	IC101	RT3CLLM/EF-X	TRANSISTOR		1	
	IC102	RT3K11M-X	MOS FET ARRAY		1	
	IC201	BD7905BFS-X	IC		1	
	IC301	MN2DS0040MA	IC		1	
	IC381	JVM594C	PROGRAMED IC		1	
	IC391	A3V28S40FTP-G6	IC		1	
	IC401	AK4387ET-X	IC		1	
	IC501	BR24T32FVT-W-X	IC		1	
	IC551	MFI337S3959-X	IC		1	
	IC901	MM3233CF-X	IC		1	
	IC921	MM1701CH-X	IC		1	
	Q4	DSC2001/R/-X	TRANSISTOR		1	
	Q11	DSC2001/R/-X	TRANSISTOR		1	
	Q12	LTC044EEB-X	DIGI TRANSISTOR		1	
	Q101	2SB1424/R/-W	TRANSISTOR		1	
	Q102	2SB1424/R/-W	TRANSISTOR		1	
	Q103	2SC4617/QR/-X	TRANSISTOR		1	
	Q271	LTC014EEB-X	DIGI TRANSISTOR		1	
	Q302	LTC044EEB-X	DIGI TRANSISTOR		1	
	Q341	LTC044EEB-X	DIGI TRANSISTOR		1	
	D6	AN1102W-6-X	IR LED		1	
	D7	AN1102W-6-X	IR LED		1	
	D9	PS1192HB-22-X	PHOTO TRANSISTOR		1	
	D11	PS1192HB-22-X	PHOTO TRANSISTOR		1	
	C101	NCJ20JM-226X-A	C CAPACITOR	22uF 6.3V M	1	
	C102	NCJ10JM-476X-A	C CAPACITOR	47uF 6.3V M	1	
	C103	NCJ10JM-476X-A	C CAPACITOR	47uF 6.3V M	1	
	C104	NCBA1CK-104W	C CAPACITOR	0.1uF 16V K	1	
	C105	NCBA1CK-104W	C CAPACITOR	0.1uF 16V K	1	
	C106	NCBA1CK-104W	C CAPACITOR	0.1uF 16V K	1	
	C107	NCBA1CK-104W	C CAPACITOR	0.1uF 16V K	1	
	C108	NCBA1CK-104W	C CAPACITOR	0.1uF 16V K	1	
	C109	NCBA1CK-104W	C CAPACITOR	0.1uF 16V K	1	
	C110	NCBA1CK-104W	C CAPACITOR	0.1uF 16V K	1	
	C111	NCB31CK-105X	C CAPACITOR	1uF 16V K	1	
	C112	NCB31CK-105X	C CAPACITOR	1uF 16V K	1	
	C113	NCBA1CK-104W	C CAPACITOR	0.1uF 16V K	1	
	C121	NCBA1CK-104W	C CAPACITOR	0.1uF 16V K	1	
	C122	NCBA1CK-333W	C CAPACITOR	0.033uF 16V K	1	
	C123	NCBA1CK-104W	C CAPACITOR	0.1uF 16V K	1	
	C124	NCBA1CK-104W	C CAPACITOR	0.1uF 16V K	1	
	C131	NCBA1HK-272W	C CAPACITOR	2700pF 50V K	1	
	C133	NCB31CK-684X	C CAPACITOR	0.68uF 16V K	1	
	C134	NCB31CK-684X	C CAPACITOR	0.68uF 16V K	1	
	C135	NCBA1CK-104W	C CAPACITOR	0.1uF 16V K	1	
	C136	NCBA1CK-104W	C CAPACITOR	0.1uF 16V K	1	
	C137	NCBA1CK-104W	C CAPACITOR	0.1uF 16V K	1	
	C138	NCBA1CK-104W	C CAPACITOR	0.1uF 16V K	1	
	C141	NCBA1CK-104W	C CAPACITOR	0.1uF 16V K	1	
	C151	NCBA1CK-104W	C CAPACITOR	0.1uF 16V K	1	
	C201	NCJ41CK-476X-A	C CAPACITOR	47uF 16V K	1	
	C203	NCJ41CK-476X-A	C CAPACITOR	47uF 16V K	1	
	C207	NCBA1CK-104W	C CAPACITOR	0.1uF 16V K	1	
	C209	NCBA1HK-102W	C CAPACITOR	1000pF 50V K	1	
	C210	NCBA1HK-102W	C CAPACITOR	1000pF 50V K	1	
	C211	NCBA1HK-102W	C CAPACITOR	1000pF 50V K	1	
	C212	NCBA1CK-104W	C CAPACITOR	0.1uF 16V K	1	
	C213	NCBA1CK-104W	C CAPACITOR	0.1uF 16V K	1	
	C214	NCBA1CK-104W	C CAPACITOR	0.1uF 16V K	1	
	C215	NCBA1CK-104W	C CAPACITOR	0.1uF 16V K	1	
	C218	NCBA1HK-102W	C CAPACITOR	1000pF 50V K	1	
	C219	NCBA1CK-104W	C CAPACITOR	0.1uF 16V K	1	
	C220	NCBA1CK-104W	C CAPACITOR	0.1uF 16V K	1	
	C221	NCB31CK-105X	C CAPACITOR	1uF 16V K	1	
	C241	NCBA1EK-822W	C CAPACITOR	8200pF 25V K	1	
	C242	NCBA1EK-822W	C CAPACITOR	8200pF 25V K	1	
	C251	NDCA1HJ-111W	C CAPACITOR	110pF 50V J	1	
	C261	NCBA1HK-102W	C CAPACITOR	1000pF 50V K	1	
	C301	NCBA1CK-104W	C CAPACITOR	0.1uF 16V K	1	
	C302	NCBA1CK-104W	C CAPACITOR	0.1uF 16V K	1	
	C303	NCBA1CK-104W	C CAPACITOR	0.1uF 16V K	1	
	C304	NCBA1CK-104W	C CAPACITOR	0.1uF 16V K	1	
	C305	NCBA1CK-104W	C CAPACITOR	0.1uF 16V K	1	
	C306	NCBA1CK-104W	C CAPACITOR	0.1uF 16V K	1	
	C307	NCBA1CK-104W	C CAPACITOR	0.1uF 16V K	1	
	C308	NCBA1CK-104W	C CAPACITOR	0.1uF 16V K	1	

MODEL	MARK	MODEL	MARK	MODEL	MARK	MODEL	MARK
KW-ADV64BTJ	A	KW-AV60BTA	B	KW-AV60BTE	C	KW-AV60BTEE	D
KW-AV60BTEU	E	KW-AV60BTJ	F	KW-AV60BTU	G	KW-AV60E	H
KW-AV60EU	I	KW-AV60J	J	KW-AV60U	K	KW-AV60UF	L
KW-AV68BTJW	M						

Safe	Symbol No.	Parts No.	Parts Name	Description	QTY	Local
	C309	NCBA1CK-104W	C CAPACITOR	0.1uF 16V K	1	
	C310	NCBA1EK-103W	C CAPACITOR	0.01uF 25V K	1	
	C311	NCBA1CK-104W	C CAPACITOR	0.1uF 16V K	1	
	C314	NCBA1HK-122W	C CAPACITOR	1200pF 50V K	1	
	C315	NCBA1HK-122W	C CAPACITOR	1200pF 50V K	1	
	C316	NCB31CK-105X	C CAPACITOR	1uF 16V K	1	
	C317	NCB31CK-105X	C CAPACITOR	1uF 16V K	1	
	C318	NCB31CK-105X	C CAPACITOR	1uF 16V K	1	
	C319	NCBA1CK-104W	C CAPACITOR	0.1uF 16V K	1	
	C320	NCBA1CK-104W	C CAPACITOR	0.1uF 16V K	1	
	C322	NCBA1CK-104W	C CAPACITOR	0.1uF 16V K	1	
	C324	NCBA1CK-104W	C CAPACITOR	0.1uF 16V K	1	
	C325	NCBA1CK-104W	C CAPACITOR	0.1uF 16V K	1	
	C326	NCBA1EK-103W	C CAPACITOR	0.01uF 25V K	1	
	C327	NCBA1CK-104W	C CAPACITOR	0.1uF 16V K	1	
	C329	NCBA1CK-104W	C CAPACITOR	0.1uF 16V K	1	
	C330	NCBA1CK-104W	C CAPACITOR	0.1uF 16V K	1	
	C331	NCBA1CK-104W	C CAPACITOR	0.1uF 16V K	1	
	C332	NCBA1CK-104W	C CAPACITOR	0.1uF 16V K	1	
	C333	NCBA1CK-104W	C CAPACITOR	0.1uF 16V K	1	
	C351	NDCA1HJ-120W	C CAPACITOR	12pF 50V J	1	
	C352	NDCA1HJ-120W	C CAPACITOR	12pF 50V J	1	
	C381	NCB10JK-226X-R	C CAPACITOR	22uF 6.3V K	1	
	C382	NCBA1CK-104W	C CAPACITOR	0.1uF 16V K	1	
	C391	NCJ20JM-226X-A	C CAPACITOR	22uF 6.3V M	1	
	C392	NCBA1CK-104W	C CAPACITOR	0.1uF 16V K	1	
	C394	NCBA1CK-104W	C CAPACITOR	0.1uF 16V K	1	
	C395	NCBA1CK-104W	C CAPACITOR	0.1uF 16V K	1	
	C396	NCBA1CK-104W	C CAPACITOR	0.1uF 16V K	1	
	C397	NCBA1CK-104W	C CAPACITOR	0.1uF 16V K	1	
	C398	NCBA1CK-104W	C CAPACITOR	0.1uF 16V K	1	
	C399	NCBA1CK-104W	C CAPACITOR	0.1uF 16V K	1	
	C401	NCJ11AK-476X-A	C CAPACITOR	47uF 10V K	1	
	C402	NCBA1CK-104W	C CAPACITOR	0.1uF 16V K	1	
	C403	NCBA1CK-104W	C CAPACITOR	0.1uF 16V K	1	
	C404	NCB10JK-226X-R	C CAPACITOR	22uF 6.3V K	1	
	C405	NCBA1CK-104W	C CAPACITOR	0.1uF 16V K	1	
	C406	NCBA1HK-331W	C CAPACITOR	330pF 50V K	1	
	C411	NCBA1CK-473W	C CAPACITOR	0.047uF 16V K	1	
	C412	NDCA1HJ-101W	C CAPACITOR	100pF 50V J	1	
	C501	NCBA1CK-104W	C CAPACITOR	0.1uF 16V K	1	
	C511	NCBA1CK-104W	C CAPACITOR	0.1uF 16V K	1	
	C701	NCBA1CK-104W	C CAPACITOR	0.1uF 16V K	1	
	C702	NCBA1CK-104W	C CAPACITOR	0.1uF 16V K	1	
	C703	NCBA1CK-104W	C CAPACITOR	0.1uF 16V K	1	
	C704	NCBA1CK-104W	C CAPACITOR	0.1uF 16V K	1	
	C705	NCBA1CK-104W	C CAPACITOR	0.1uF 16V K	1	
	C901	NCB31CK-105X	C CAPACITOR	1uF 16V K	1	
	C902	NCB31CK-105X	C CAPACITOR	1uF 16V K	1	
	C911	NCJ10JM-476X-A	C CAPACITOR	47uF 6.3V M	1	
	C912	NCBA1CK-104W	C CAPACITOR	0.1uF 16V K	1	
	C913	NCJ20JM-226X-A	C CAPACITOR	22uF 6.3V M	1	
	C914	NCBA1CK-104W	C CAPACITOR	0.1uF 16V K	1	
	C921	NCB31CK-105X	C CAPACITOR	1uF 16V K	1	
	C922	NCBA1EK-103W	C CAPACITOR	0.01uF 25V K	1	
	C923	NCB31CK-105X	C CAPACITOR	1uF 16V K	1	
	R11	NRSA63J-391X	MG RESISTOR	390Ω 1/16W J	1	
	R12	NRSA6AJ-184W	MG RESISTOR	180kΩ 1/16W J	1	
	R13	NRSA6AJ-103W	MG RESISTOR	10kΩ 1/16W J	1	
	R15	NRSA6AJ-822W	MG RESISTOR	8.2kΩ 1/16W J	1	
	R17	NRSA6AJ-473W	MG RESISTOR	47kΩ 1/16W J	1	
	R21	NRSA63J-391X	MG RESISTOR	390Ω 1/16W J	1	
	R101	NRSA6AJ-471W	MG RESISTOR	470Ω 1/16W J	1	
	R102	NRSA6AJ-471W	MG RESISTOR	470Ω 1/16W J	1	
	R103	NRSA6AJ-102W	MG RESISTOR	1kΩ 1/16W J	1	
	R104	NRSA63J-2R2X	MG RESISTOR	2.2Ω 1/16W J	1	
	R105	NRZ0122-270X	MG RESISTOR	27Ω	1	
	R106	NRSA6AJ-242W	MG RESISTOR	2.4kΩ 1/16W J	1	
	R107	NRSA6AJ-432W	MG RESISTOR	4.3kΩ 1/16W J	1	
	R111	NRSA6AJ-471W	MG RESISTOR	470Ω 1/16W J	1	
	R112	NRSA6AJ-471W	MG RESISTOR	470Ω 1/16W J	1	
	R113	NRSA6AJ-102W	MG RESISTOR	1kΩ 1/16W J	1	
	R114	NRSA63J-2R2X	MG RESISTOR	2.2Ω 1/16W J	1	
	R115	NRZ0122-390X	MG RESISTOR	39Ω	1	
	R116	NRSA6AJ-242W	MG RESISTOR	2.4kΩ 1/16W J	1	
	R117	NRSA6AJ-432W	MG RESISTOR	4.3kΩ 1/16W J	1	
	R121	NRSA6AJ-910W	MG RESISTOR	91Ω 1/16W J	1	
	R122	NRSA6AJ-910W	MG RESISTOR	91Ω 1/16W J	1	
	R123	NRSA6AJ-104W	MG RESISTOR	100kΩ 1/16W J	1	
	R124	NRSA6AJ-103W	MG RESISTOR	10kΩ 1/16W J	1	
	R125	NRSA6AJ-103W	MG RESISTOR	10kΩ 1/16W J	1	
	R126	NRSA63J-150X	MG RESISTOR	15Ω 1/16W J	1	
	R131	NRSA63D-122X	MG RESISTOR	1.2kΩ 1/16W D	1	
	R132	NRSA63D-122X	MG RESISTOR	1.2kΩ 1/16W D	1	
	R139	NRSA63J-0R0X	MG RESISTOR	0Ω 1/10W J	1	
	R141	NRSA63D-332X	MG RESISTOR	3.3kΩ 1/16W D	1	
	R142	NRSA6AJ-162W	MG RESISTOR	1.6kΩ 1/16W J	1	

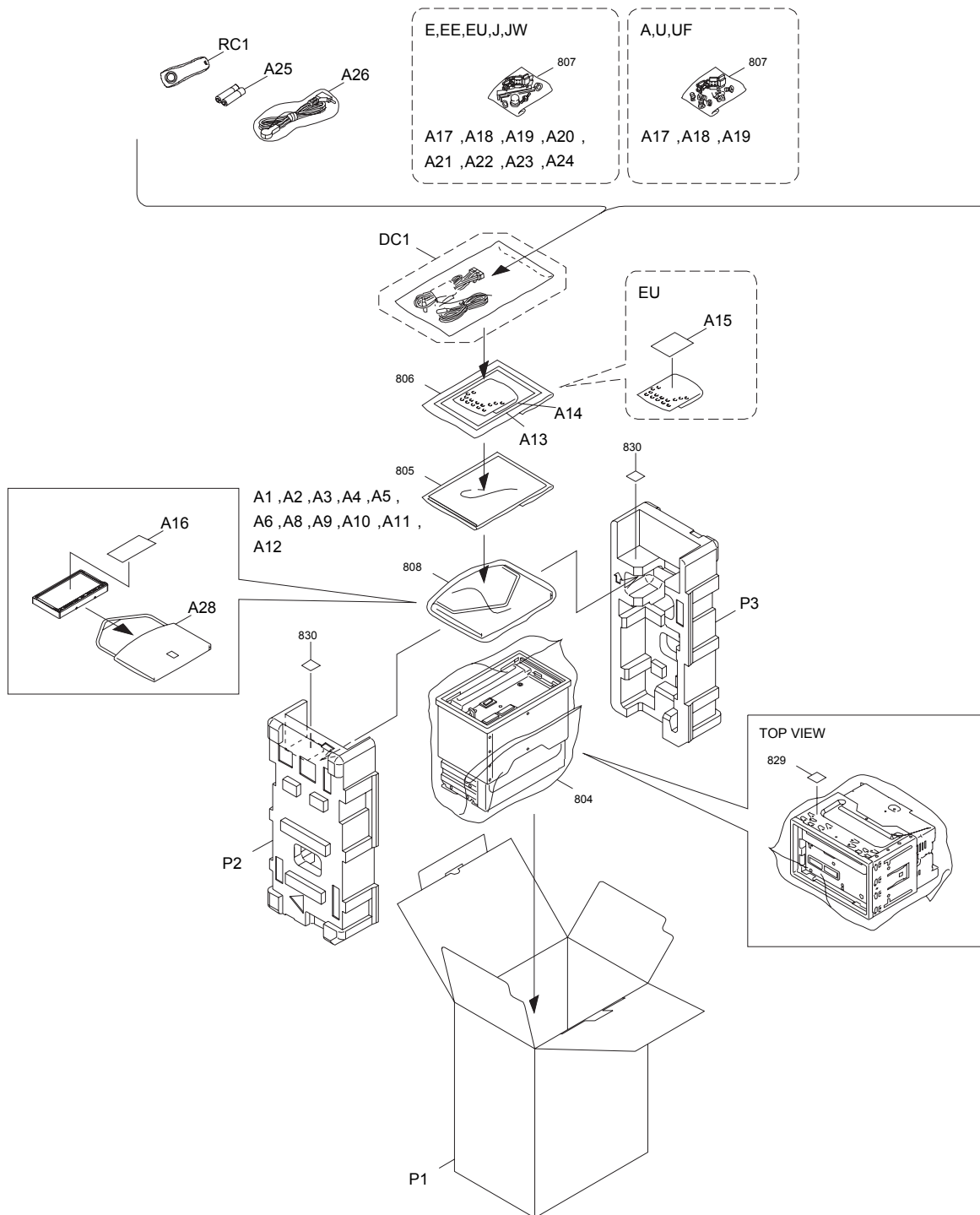
MODEL	MARK	MODEL	MARK	MODEL	MARK	MODEL	MARK
KW-ADV64BTJ	A	KW-AV60BTA	B	KW-AV60BTE	C	KW-AV60BTEE	D
KW-AV60BTEU	E	KW-AV60BTJ	F	KW-AV60BTU	G	KW-AV60E	H
KW-AV60EU	I	KW-AV60J	J	KW-AV60U	K	KW-AV60UF	L
KW-AV68BTJW	M						

Safe	Symbol No.	Parts No.	Parts Name	Description	QTY	Local
	R151	NRSA6AJ-472W	MG RESISTOR	4.7kΩ 1/16W J	1	
	R165	NRSA6AJ-473W	MG RESISTOR	47kΩ 1/16W J	1	
	R201	NRZ0098-R47X	MG RESISTOR	0.47Ω	1	
	R202	NRZ0098-R47X	MG RESISTOR	0.47Ω	1	
	R203	NRSA63J-101X	MG RESISTOR	100Ω 1/16W J	1	
	R204	NRZ0098-R47X	MG RESISTOR	0.47Ω	1	
	R205	NRZ0098-R47X	MG RESISTOR	0.47Ω	1	
	R212	NRSA63D-134X	MG RESISTOR	130kΩ 1/16W D	1	
	R213	NRSA6AJ-101W	MG RESISTOR	100Ω 1/16W J	1	
	R221	NRSA6AD-102W	MG RESISTOR	1kΩ 1/16W D	1	
	R222	NRSA6AD-102W	MG RESISTOR	1kΩ 1/16W D	1	
	R232	NRSA6AJ-473W	MG RESISTOR	47kΩ 1/16W J	1	
	R233	NRSA6AJ-104W	MG RESISTOR	100kΩ 1/16W J	1	
	R234	NRSA6AJ-104W	MG RESISTOR	100kΩ 1/16W J	1	
	R241	NRSA63J-623X	MG RESISTOR	62kΩ 1/16W J	1	
	R243	NRSA63J-623X	MG RESISTOR	62kΩ 1/16W J	1	
	R251	NRSA63J-114X	MG RESISTOR	110kΩ 1/16W J	1	
	R261	NRSA63J-472X	MG RESISTOR	4.7kΩ 1/16W J	1	
	R271	NRSA6AD-622W	MG RESISTOR	6.2kΩ 1/16W D	1	
	R272	NRSA6AD-202W	MG RESISTOR	2kΩ 1/16W D	1	
	R273	NRSA6AD-272W	MG RESISTOR	2.7kΩ 1/16W D	1	
	R274	NRSA6AD-302W	MG RESISTOR	3kΩ 1/16W D	1	
	R275	NRSA6AJ-0R0W	MG RESISTOR	0Ω 1/16W J	1	
	R302	NRSA6AJ-101W	MG RESISTOR	100Ω 1/16W J	1	
	R303	NRSA6AJ-101W	MG RESISTOR	100Ω 1/16W J	1	
	R304	NRSA6AJ-101W	MG RESISTOR	100Ω 1/16W J	1	
	R306	NRSA6AJ-331W	MG RESISTOR	330Ω 1/16W J	1	
	R307	NRSA6AJ-331W	MG RESISTOR	330Ω 1/16W J	1	
	R308	NRSA63J-152X	MG RESISTOR	1.5kΩ 1/16W J	1	
	R309	NRSA63J-152X	MG RESISTOR	1.5kΩ 1/16W J	1	
	R310	NRSA6AJ-103W	MG RESISTOR	10kΩ 1/16W J	1	
	R311	NRSA6AJ-223W	MG RESISTOR	22kΩ 1/16W J	1	
	R313	NRSA63J-181X	MG RESISTOR	180Ω 1/16W J	1	
	R314	NRSA63D-222X	MG RESISTOR	2.2kΩ 1/16W D	1	
	R315	NRSA63D-222X	MG RESISTOR	2.2kΩ 1/16W D	1	
	R319	NRSA63D-243X	MG RESISTOR	24kΩ 1/16W D	1	
	R323	NRSA6AJ-104W	MG RESISTOR	100kΩ 1/16W J	1	
	R327	NRSA6AJ-270W	MG RESISTOR	27Ω 1/16W J	1	
	R328	NRSA6AJ-102W	MG RESISTOR	1kΩ 1/16W J	1	
	R329	NRSA6AJ-102W	MG RESISTOR	1kΩ 1/16W J	1	
	R330	NRSA6AJ-103W	MG RESISTOR	10kΩ 1/16W J	1	
	R341	NRSA63J-103X	MG RESISTOR	10kΩ 1/16W J	1	
	R351	NRSA63J-105X	MG RESISTOR	1MΩ 1/16W J	1	
	R352	NRSA6AJ-102W	MG RESISTOR	1kΩ 1/16W J	1	
	R365	NRSA6AJ-103W	MG RESISTOR	10kΩ 1/16W J	1	
	R376	NRSA6AJ-822W	MG RESISTOR	8.2kΩ 1/16W J	1	
	R386	NRSA6AJ-184W	MG RESISTOR	180kΩ 1/16W J	1	
	R400	NRSA6AJ-153W	MG RESISTOR	15kΩ 1/16W J	1	
	R401	NRSA63J-100X	MG RESISTOR	10Ω 1/16W J	1	
	R402	NRSA6AJ-100W	MG RESISTOR	10Ω 1/16W J	1	
	R403	NRSA6AJ-103W	MG RESISTOR	10kΩ 1/16W J	1	
	R501	NRSA6AJ-103W	MG RESISTOR	10kΩ 1/16W J	1	
	R511	NRSA6AJ-103W	MG RESISTOR	10kΩ 1/16W J	1	
	R512	NRSA6AJ-103W	MG RESISTOR	10kΩ 1/16W J	1	
	R515	NRSA6AJ-103W	MG RESISTOR	10kΩ 1/16W J	1	
	R601	NRS181F-270X	MG RESISTOR	27Ω 1/8W F	1	
	R602	NRS181F-270X	MG RESISTOR	27Ω 1/8W F	1	
	R611	NRSA6AJ-153W	MG RESISTOR	15kΩ 1/16W J	1	
	R612	NRSA6AJ-153W	MG RESISTOR	15kΩ 1/16W J	1	
	R702	NRSA6AJ-102W	MG RESISTOR	1kΩ 1/16W J	1	
	R911	NRZ0098-R18X	MG RESISTOR	0.18Ω	1	
	B341	NRSA63J-0R0X	MG RESISTOR	0Ω 1/10W J	1	
	B411	NRSA63J-0R0X	MG RESISTOR	0Ω 1/10W J	1	
	CN11	QGA1002F1-03X	CONNECTOR	W-B (1-3)	1	
	CN101	QGF0522F2-30W	CONNECTOR	FFC/FPC (1-30)	1	
	CN201	QGF0523F3-20W	CONNECTOR	FFC/FPC (1-20)	1	
	CN401	QGF0534F6-50X	CONNECTOR	FFC/FPC (1-50)	1	
	K101	NQR0007-002X	FERRITE BEADS		1	
	K102	NQR0007-002X	FERRITE BEADS		1	
	K301	NQR0129-002X	FERRITE BEADS		1	
	K311	NQR0129-002X	FERRITE BEADS		1	
	K312	NQR0129-002X	FERRITE BEADS		1	
	K313	NQR0129-002X	FERRITE BEADS		1	
	K314	NQR0129-002X	FERRITE BEADS		1	
	K381	NRSA63J-0R0X	MG RESISTOR	0Ω 1/10W J	1	
	K391	NQR0502-001X	FERRITE BEADS		1	
	K703	NQR0022-005X	FERRITE BEADS		1	
	K707	NQR0022-005X	FERRITE BEADS		1	
	K708	NQR0022-005X	FERRITE BEADS		1	
	K709	NQR0022-005X	FERRITE BEADS		1	
	K711	NQR0022-005X	FERRITE BEADS		1	
	K712	NQR0022-005X	FERRITE BEADS		1	
	K714	NQR0022-005X	FERRITE BEADS		1	
	K911	NQR0502-001X	FERRITE BEADS		1	
	S1	NSW0313-001X	DETECT SWITCH		1	
	S1 or	NSW0225-001X	DETECT SWITCH		1	
	X351	NAX1135-001X	CRYSTAL		1	

# PACKING AND ACCESSORIES

Block No.M3MM

No additional / supplemental order of WARRANTY CARDS are available.



Parts with the exploded numbers larger than 700 are not supplied.

MODEL	MARK	MODEL	MARK	MODEL	MARK	MODEL	MARK
KW-ADV64BTJ	A	KW-AV60BTA	B	KW-AV60BTE	C	KW-AV60BTEE	D
KW-AV60BTEU	E	KW-AV60BTJ	F	KW-AV60BTU	G	KW-AV60E	H
KW-AV60EU	I	KW-AV60J	J	KW-AV60U	K	KW-AV60UF	L
KW-AV68BTJW	M						

Safe	Symbol No.	Parts No.	Parts Name	Description	QTY	Local
------	------------	-----------	------------	-------------	-----	-------

PACKING AND ACCESSORIES <M3MM>

	DC1	QAM1351-002	DC CORD		1	A,B,F,G,J,K,L,M
	DC1	QAM1352-002	DC CORD		1	C,D,E,H,I
	RC1	RM-RK252	REMOCON UNIT		1	A,B,E,G,I,K,L,M
	A1	LVT2293-001A	INST BOOK		1	A,F,J,M
	A1	LVT2298-001A	INST BOOK		1	B
	A1	LVT2294-001A	INST BOOK		1	C,H
	A1	LVT2295-001A	INST BOOK		1	D
	A1	LVT2296-001A	INST BOOK		1	E,I
	A1	LVT2297-001A	INST BOOK		1	G,K
	A1	LVT2299-001A	INST BOOK		1	L
	A2	LVT2294-002A	INST BOOK		1	C,H
	A2	LVT2296-002A	INST BOOK		1	E,I
	A3	LVT2293-002A	INSTALL MANUAL		1	A,F,J,M
	A3	LVT2298-002A	INSTALL MANUAL		1	B
	A3	LVT2294-003A	INSTALL MANUAL		1	C,H
	A3	LVT2297-002A	INSTALL MANUAL		1	G,K
	A3	LVT2296-003A	INSTALL MANUAL		1	I
	A3	LVT2299-002A	INSTALL MANUAL		1	L
	A4	LVT2294-004A	INSTALL MANUAL		1	C,H
	A4	LVT2295-002A	INSTALL MANUAL		1	D
	A4	LVT2296-003A	INSTALL MANUAL		1	E
	A4	LVT2296-004A	INSTALL MANUAL		1	I
	A5	LVT2296-004A	INSTALL MANUAL		1	E
	A6	BT-51044-1	REGISTRATION CARD		1	A,F,J
	A8	-----	WARRANTY CARD	BT-51029-3	1	A
	A8	-----	WARRANTY CARD	BT-54045-1	1	C,D,H
	A8	-----	WARRANTY CARD	BT-51018-6	1	F,J
	A8	-----	WARRANTY CARD	BT-59042-1	1	L
	A9	-----	WARRANTY CARD	BT-52008-1	1	A,F,J
	A10	LVT2328-001A	RUSSIAN SHEET		1	D
	A11	BT-59046-1	SVC CENTER LIST		1	L
	A12	LV39878-001A	IDENTITY CARD		1	C,H
	A13	GET0617-001H	USB/BT ADP SHT		1	A,B,C,D,E,F,G,M
△	A14	LVT2224-001A	CAUTION SHEET		1	A,B,C,D,E,F,G,M
	A15	GE40476-001A	BT LABEL		1	E
	A16	LVT1970-001A	CAUTION SHEET		1	
	A17	QYSDSP5008ZA	SCREW	M5 x 8mm	8	A,C,D,E,F,H,I,J,M
	A17	QYSDSP5008ZA	SCREW	M5 x 8mm	4	B,G,K,L
	A18	QYSSSP5008ZA	SCREW	M5 x 8mm	4	A,C,D,E,F,H,I,J,M
	A18	QYSSSP5008ZA	SCREW	M5 x 8mm	8	B,G,K,L
	A19	LV41478-001A	CORD CONNECTER		1	
	A20	LV45399-001A	HOOK		2	A,C,D,E,F,H,I,J,M
	A21	VKZ4027-202	PLUG NUT		1	A,C,D,E,F,H,I,J,M
	A22	GE40426-002A	MOUNT BOLT		1	A,C,D,E,F,H,I,J,M
	A23	VKZ4328-003	LOCK NUT		1	A,C,D,E,F,H,I,J,M
	A24	QYWWWS53A008ZA	WASHER	0mm/5.3mm x	1	A,C,D,E,F,H,I,J,M
	A25	-----	BATTERY		2	A,B,E,G,I,K,L
	A26	QAN0109-001	MICROPHONE		1	A,B,C,D,E,F,G,M
	A28	LV45104-001A	SOFT CASE		1	
	P1	LV39795-001A	CARTON		1	A
	P1	LV39793-001A	CARTON		1	B,E,G
	P1	LV39791-001A	CARTON		1	C
	P1	LV39792-001A	CARTON		1	D
	P1	LV39790-001A	CARTON		1	F
	P1	LV39797-001A	CARTON		1	H
	P1	LV39798-001A	CARTON		1	I,K
	P1	LV39796-001A	CARTON		1	J
	P1	LV39799-001A	CARTON		1	L
	P1	LV39794-001A	CARTON		1	M
	P2	LV11770-001A	CUSHION LEFT		1	A,C,D,E,F,H,I,J,M
	P2	LV11772-002A	CUSHION LEFT U		1	B,G,K,L
	P3	LV11769-001A	CUSHION RIGHT		1	A,C,D,E,F,H,I,J,M
	P3	LV11771-002A	CUSHION RIGHT U		1	B,G,K,L