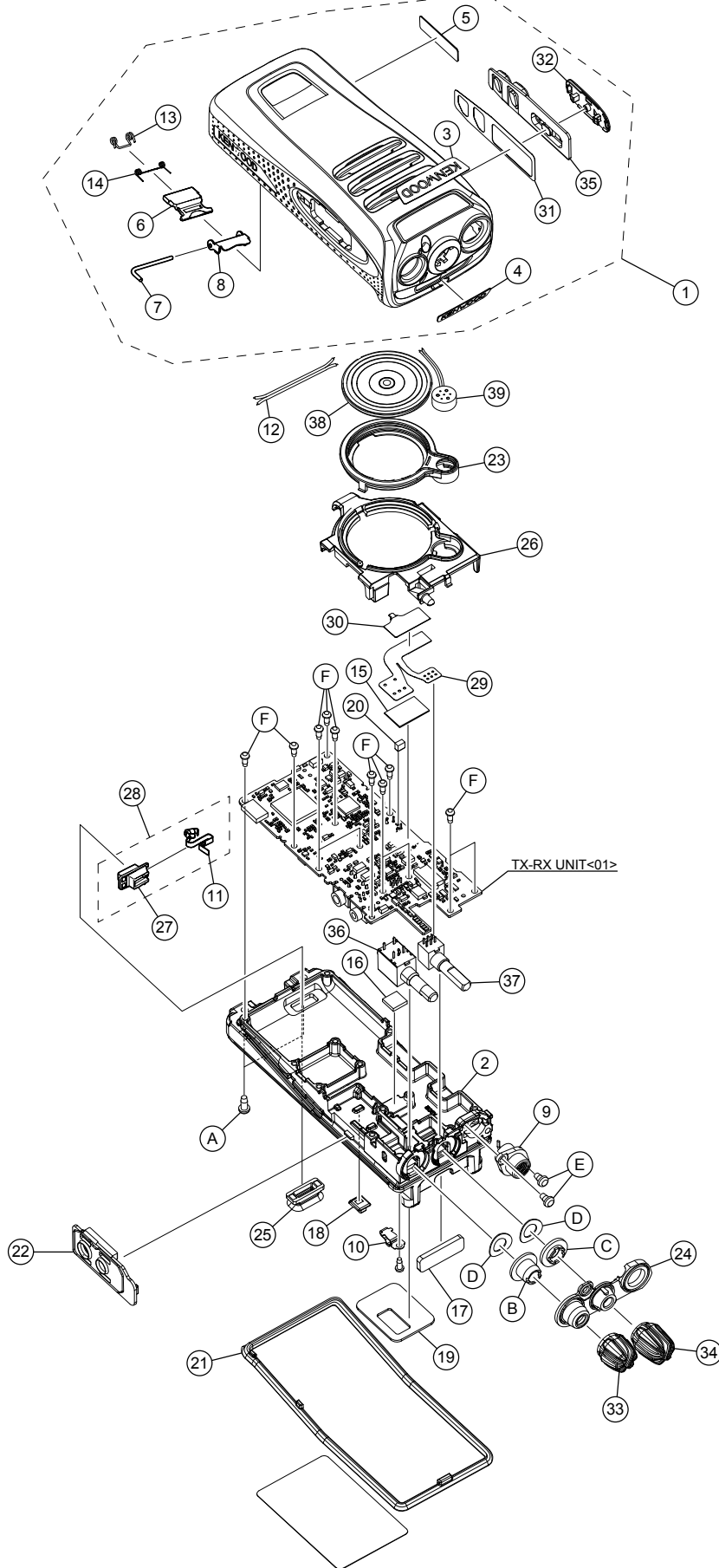


# Exploded view of general assembly and parts list

Block No.M1MM



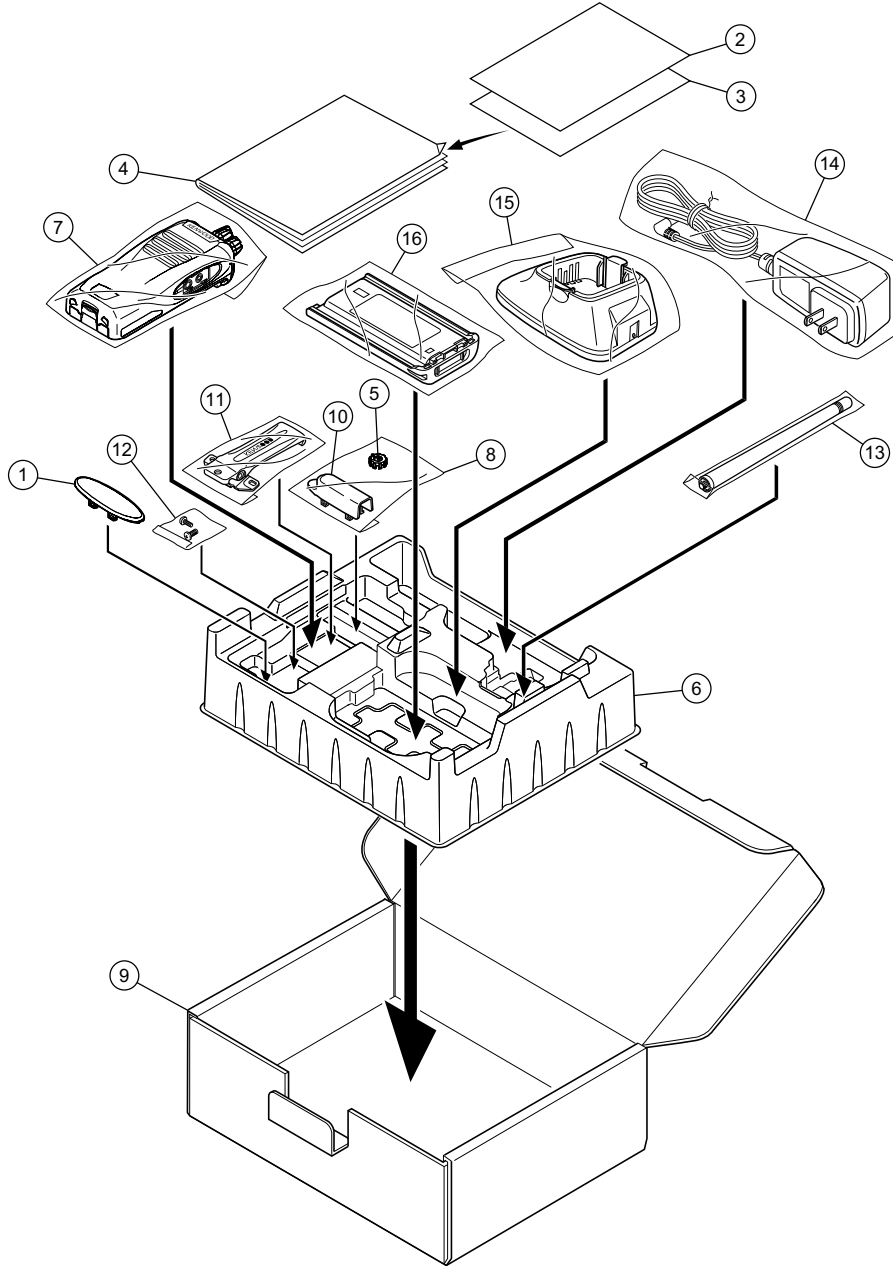
# General assembly

Block No. [M][1][M][M]

△ Symbol No.	Part No.	Part Name	Description	Local
1	A02-4228-03	PLASTIC CABINET ASSY		
2	A10-4177-01	CHASSIS		
3	B43-1693-04	BADGE(KENWOOD-FRONT)		
4	B43-1694-04	BADGE(KENWOOD)		
5	B43-1700-04	BADGE(NEXEDGE)		
6	D10-0649-03	LEVER		
7	D21-0863-04	SHAFT		
8	D32-0441-13	STOPPER		
9	E04-0477-15	RF COAXIAL RECEPTACLE(SMA)		
10	E23-1253-14	TERMINAL(GROUND)		
11	E23-1395-04	TERMINAL(+VE)		
12	E37-1288-05	PARALLEL CORD		
13	G01-4542-04	COIL SPRING(LEVER)		
14	G01-4543-14	COIL SPRING(STOPPER)		
15	G10-1348-04	FIBROUS SHEET(X57-IC)		
16	G11-4465-04	RUBBER SHEET(FET)		
17	G13-2009-04	CUSHION(CHASSIS)		
18	G13-2033-04	CUSHION(GROUND)		
19	G13-2034-14	CUSHION(CHASSIS)		
20	G13-2448-04	CUSHION(X57,SP)		
21	G53-1604-03	PACKING(CHASSIS)		
22	G53-2215-03	PACKING(SP/MIC)		
23	G53-2216-03	PACKING(SP)		
24	G53-2217-02	PACKING(VOLUME/SELECTOR)		
25	G53-2218-03	PACKING(+VE)		
26	J19-5578-12	HOLDER(SP)		
27	J19-5579-03	HOLDER(+VE)		
28	J19-5580-03	HOLDER ASSY		
29	J87-0054-05	FPC(VOLUME/SELECTOR)		
30	J87-0060-04	FPC(PCB)		
31	J99-0783-04	ADHESIVE SHEET(PTT)		
32	K29-9612-03	BUTTON KNOB(PTT)		
33	K29-9614-03	KNOB(VOLUME)		
34	K29-9615-03	KNOB(SELECTOR)		
35	K29-9625-03	BUTTON KNOB(PF)		
36	R31-0670-25	VARIABLE RESISTOR		
37	S60-0450-05	ROTARY SWITCH		
38	T07-0805-05	SPEAKER		
39	T91-0659-15	MIC ELEMENT		
A	N09-6621-05	PAN HEAD SCREW	(x2)	
B	N14-0849-05	CIRCULAR NUT(VOLUME)		
C	N14-0869-05	CIRCULAR NUT(SELECTOR)		
D	N19-2214-05	SPECIAL WASHER(VOL/SELECTOR)	(x2)	
E	N30-2604-48	PAN HEAD MACHINE SCREW	(x2)	
F	N83-2005-48	PAN HEAD TAPTITE SCREW	(x12)	

# Packing materials and accessories parts list

Block No.M2MM



## Packing and accessories

Block No. [M][2][M][M]

Symbol No.	Part No.	Part Name	Description	Local
1	B09-0758-03	CAP(SP/MIC)		
2	-----	PAMPHLET(SAR)		
3	-----	PAMPHLET(VOCODER)		
4	B62-2580-00	INSTRUCTION MANUAL		
5	D32-0456-03	STOPPER(SELECTOR)		
6	H12-4319-05	PACKING FIXTURE		
7	-----	PROTECTION BAG (100/200/0.07)		
8	-----	PROTECTION BAG		
9	H52-2589-01	ITEM CARTON CASE		
10	J19-5577-03	HOLDER(SP/MIC)		
11	J29-0734-15	BELT CLIP		
12	N99-2089-05	SCREW SET		
13	T90-1039-25	WHIP ANTENNA		
14	W08-1247-25	AC ADAPTER		
15	W08-1249-45	CHARGER		
16	-----	BATTERY ASSY		

# Electrical parts list

## TX-RX UNIT

X57-8510-10

Block No. [0][1]

△ Symbol No.	Part No.	Part Name	Description	Local
IC2	AK1541	MOS-IC		
IC3	BD7542FVM	MOS-IC		
IC200	BA2904FVM	MOS-IC		
IC400	AK2365	MOS-IC		
IC600	XC61CN4502N-G	MOS-IC		
IC601	XC6209B502P-G	MOS-IC		
IC602	MM1856A50N	BI-POLAR IC		
IC603	XC6209B502P-G	MOS-IC		
IC604	MM1856A33N	BI-POLAR IC		
IC605	BU4830F	MOS-IC		
IC606	XC6209B332M-G	MOS-IC		
IC700	EX25064ATA00A	ROM IC		
IC703	MM1856A33N	BI-POLAR IC		
IC704	BU7465HFV	MOS-IC		
IC705	CMX7141	MOS-IC		
IC706	BU7465HFV	MOS-IC		
IC707	TA7368PL	MOS-IC		
IC708	BU7465HFV	MOS-IC		
IC709	NJU7089KV1	MOS-IC		
IC710	2F405VGT6KFAA	MICROPROCESSOR IC		
IC713	SM5023CNDH-G	MOS-IC		
IC715	MM1856A33N	BI-POLAR IC		
IC717	BU7465HFV	MOS-IC		
Q1	SSM3J36TUT	FET		
Q2	2SC5636	TRANSISTOR		
Q3	RE1C001UN	FET		
Q4	KTC4075E(Y,GR)	TRANSISTOR		
Q5	MCH3914(8)-H	FET		
Q6	MCH3914(7)-H	FET		
Q7	SSM6L36FE	FET		
Q8	SSM3J36TUT	FET		
Q9	2SC5636	TRANSISTOR		
Q10	2SC5636	TRANSISTOR		
Q201	2SC5455-A	TRANSISTOR		
Q203	LTC014TEBFS8	TRANSISTOR		
Q205	RE1C001UN	FET		
Q206	RFM01U7P	FET		
Q207	LTC014EEBFS8	TRANSISTOR		
Q208	RD07MUS2BT112	FET		
Q209	RE1L002SN	FET		
Q210	LTA044EEBFS8	DIGITAL TRANSISTOR		
Q400	KTC4080E-P	TRANSISTOR		
Q403	KTC4075E(Y,GR)	TRANSISTOR		
Q404	BB506CFS-E	FET		
Q405	BB506CFS-E	FET		
Q600	LTC014EEBFS8	TRANSISTOR		
Q601	SSM6L36FE	FET		
Q602	SSM6L36FE	FET		
Q603	SSM3K127TUT	FET		
Q604	LTC014EEBFS8	TRANSISTOR		
Q605	LTC014EEBFS8	TRANSISTOR		
Q606	SSM3J36TUT	FET		
Q703	UM6K34N	FET		
Q704	KTC4075E(Y,GR)	TRANSISTOR		
Q705	2SC4116(GR)F	TRANSISTOR		
Q706	2SA1586(Y,GR)F	TRANSISTOR		
Q707	UPA672T-A	FET		
Q708	LTC014EEBFS8	TRANSISTOR		
Q709	LTC014EEBFS8	TRANSISTOR		
Q710	2SB1694	TRANSISTOR		
Q711	LTC014EEBFS8	TRANSISTOR		
Q712	LTC044EEBFS8	TRANSISTOR		
Q713	2SK3577-A	FET		
Q714	2SB1132(Q,R)	TRANSISTOR		
Q715	UMG3N	TRANSISTOR		
Q716	2SK3577-A	FET		
D4	1SV325F	VARIABLE CAPACITANCE DIODE		
D5	1SV325F	VARIABLE CAPACITANCE DIODE		

△ Symbol No.	Part No.	Part Name	Description	Local
D7	1SV325F	VARIABLE CAPACITANCE DIODE		
D9	1SV325F	VARIABLE CAPACITANCE DIODE		
D10	KDS160E-P	DIODE		
D11	BBY57-02V	VARIABLE CAPACITANCE DIODE		
D12	BBY57-02V	VARIABLE CAPACITANCE DIODE		
D13	KDV214E-P	DIODE		
D14	1SS390	DIODE		
D15	1SS390	DIODE		
D200	UDZW5.1(B)	ZENER DIODE		
D201	RN142S	DIODE		
D202	RN142S	DIODE		
D203	RN141S	DIODE		
D204	RN141S	DIODE		
D400	1SV305F	VARIABLE CAPACITANCE DIODE		
D401	1SV305F	VARIABLE CAPACITANCE DIODE		
D402	1SV305F	VARIABLE CAPACITANCE DIODE		
D403	1SV305F	VARIABLE CAPACITANCE DIODE		
D404	1SV305F	VARIABLE CAPACITANCE DIODE		
D405	JDV2S07FS	VARIABLE CAPACITANCE DIODE		
D600	RB521S-30-TP	DIODE		
D601	B30-2314-05	LED	(GREEN)	
D602	B30-2315-05	LED	(RED)	
D603	GN1G	DIODE		
D604	B30-1790-05	LED	(BLUE)	
D700	RB706F-40	DIODE		
D701	RB706F-40	DIODE		
D702	1SS372F	DIODE		
D703	MC2850	DIODE		
C6	CC73HCH1H101J	C CAPACITOR	100PF J	
C7	CC73HCH1H100B	C CAPACITOR	10PF B	
C8	CK73HB1E103K	C CAPACITOR	0.010UF K	
C9	CC73HCH1H101J	C CAPACITOR	100PF J	
C11	CC73HCH1H100B	C CAPACITOR	10PF B	
C13	CC73HCH1H101J	C CAPACITOR	100PF J	
C15	CK73HB1E103K	C CAPACITOR	0.010UF K	
C16	CK73HB1E103K	C CAPACITOR	0.010UF K	
C18	CK73HB1H271K	C CAPACITOR	270PF K	
C19	CK73HB1E103K	C CAPACITOR	0.010UF K	
C20	CK73HB1A104K	C CAPACITOR	0.10UF K	
C22	CK73HB1H271K	C CAPACITOR	270PF K	
C23	CK73HB1E103K	C CAPACITOR	0.010UF K	
C26	CS77MA1D1R5M	TA E CAPACITOR	1.5UF 20WV	
C27	CK73HB1H271K	C CAPACITOR	270PF K	
C28	CK73HB1H271K	C CAPACITOR	270PF K	
C29	CS77MA1V0R1M	TA E CAPACITOR	0.1UF 35WV	
C30	CK73HB1H271K	C CAPACITOR	270PF K	
C33	CK73HB1E103K	C CAPACITOR	0.010UF K	
C34	CK73HB1A104K	C CAPACITOR	0.10UF K	
C35	CC73HCH1H080B	C CAPACITOR	8.0PF B	
C36	CK73HB1A105K	C CAPACITOR	1.0UF K	
C37	CC73HCH1H030B	C CAPACITOR	3.0PF B	
C38	CK73HB1H271K	C CAPACITOR	270PF K	
C40	CC73HCH1H080B	C CAPACITOR	8.0PF B	
C41	CC73HCH1H100C	C CAPACITOR	10PF C	
C42	CK73HB1A104K	C CAPACITOR	0.10UF K	
C43	CK73HB1H271K	C CAPACITOR	270PF K	
C45	CK73HB1H271K	C CAPACITOR	270PF K	
C46	CC73HCH1H560J	C CAPACITOR	56PF J	
C47	CC73HCH1H220J	C CAPACITOR	22PF J	
C48	CC73HCH1H070B	C CAPACITOR	7.0PF B	
C49	CC73HCH1H100C	C CAPACITOR	10PF C	
C50	CK73HB1H271K	C CAPACITOR	270PF K	
C51	CK73HB1H271K	C CAPACITOR	270PF K	
C54	CC73HCH1HR75B	C CAPACITOR	0.75PF B	
C55	CC73HCH1HR75B	C CAPACITOR	0.75PF B	
C56	CK73FB0J226M	C CAPACITOR	22UF M	
C57	CC73HCH1H4R5B	C CAPACITOR	4.5PF B	
C58	CC73HCH1H050B	C CAPACITOR	5.0PF B	
C59	CK73HB1A105K	C CAPACITOR	1.0UF K	
C60	CC73HCH1H060B	C CAPACITOR	6.0PF B	
C61	CC73HCH1H030B	C CAPACITOR	3.0PF B	
C62	CC73HCH1H050B	C CAPACITOR	5.0PF B	
C63	CC73HCH1H040B	C CAPACITOR	4.0PF B	
C64	CK73HB1H271K	C CAPACITOR	270PF K	
C65	CK73HB1H271K	C CAPACITOR	270PF K	

△ Symbol No.	Part No.	Part Name	Description	Local	△ Symbol No.	Part No.	Part Name	Description	Local
C66	CC73HCH1H0R5B	C CAPACITOR	0.5PF B		C278	CC73GCH1H070B	C CAPACITOR	7.0PF B	
C67	CK73HB1H271K	C CAPACITOR	270PF K		C279	CC73GCH1H010B	C CAPACITOR	1.0PF B	
C68	CC73HCH1H0R3B	C CAPACITOR	0.3PF B		C280	CC73GCH1H3R5B	C CAPACITOR	3.5PF B	
C69	CK73HB1H271K	C CAPACITOR	270PF K		C400	CK73HB1A104K	C CAPACITOR	0.10UF K	
C71	CK73HB1H271K	C CAPACITOR	270PF K		C402	CC73HCH1H330J	C CAPACITOR	33PF J	
C72	CC73HCH1H330J	C CAPACITOR	33PF J		C403	CK73HB1E103K	C CAPACITOR	0.010UF K	
C73	CC73HCH1H100B	C CAPACITOR	10PF B		C404	CC73HCH1H220J	C CAPACITOR	22PF J	
C74	CC73HCH1H150J	C CAPACITOR	15PF J		C405	CC73HCH1H820J	C CAPACITOR	82PF J	
C75	CK73HB1H271K	C CAPACITOR	270PF K		C406	CK73HB1H271K	C CAPACITOR	270PF K	
C76	CK73HB1H271K	C CAPACITOR	270PF K		C407	CC73HCH1H390J	C CAPACITOR	39PF J	
C77	CK73HB1A104K	C CAPACITOR	0.10UF K		C409	CC73HCH1H820J	C CAPACITOR	82PF J	
C78	CC73HCH1H070B	C CAPACITOR	7.0PF B		C410	CK73HB1H271K	C CAPACITOR	270PF K	
C79	CC73HCH1H040B	C CAPACITOR	4.0PF B		C412	CC73HCH1H560J	C CAPACITOR	56PF J	
C80	CC73HCH1H050B	C CAPACITOR	5.0PF B		C413	CK73HB1H182K	C CAPACITOR	1800PF K	
C81	CC73HCH1H150J	C CAPACITOR	15PF J		C414	CK73HB1H681K	C CAPACITOR	680PF K	
C82	CC73HCH1H101J	C CAPACITOR	100PF J		C419	CK73HB1H271K	C CAPACITOR	270PF K	
C83	CC73HCH1H101J	C CAPACITOR	100PF J		C421	CK73HB1A333K	C CAPACITOR	0.033UF K	
C84	CK73HB1H103K	C CAPACITOR	0.010UF K		C422	CK73HB1E103K	C CAPACITOR	0.010UF K	
C85	CK73HB1A473K	C CAPACITOR	0.047UF K		C424	CK73HB1E103K	C CAPACITOR	0.010UF K	
C86	CK73HB1E103K	C CAPACITOR	0.010UF K		C426	CK73HB1E103K	C CAPACITOR	0.010UF K	
C87	CC73HCH1H101J	C CAPACITOR	100PF J		C428	CC73HCH1H020B	C CAPACITOR	2.0PF B	
C88	CC73HCH1H101J	C CAPACITOR	100PF J		C429	CC73HCH1H160J	C CAPACITOR	16PF J	
C89	CK73HB1A224K	C CAPACITOR	0.22UF K		C430	CC73HCH1H020B	C CAPACITOR	2.0PF B	
C90	CK73HB1A224K	C CAPACITOR	0.22UF K		C431	CK73HB1H271K	C CAPACITOR	270PF K	
C200	CK73HB1H271K	C CAPACITOR	270PF K		C432	CK73HB1E103K	C CAPACITOR	0.010UF K	
C202	CC73HCH1H080B	C CAPACITOR	8.0PF B		C433	CK73HB1H271K	C CAPACITOR	270PF K	
C207	CC73HCH1H180J	C CAPACITOR	18PF J		C434	CC73HCH1H010B	C CAPACITOR	1.0PF B	
C208	CC73HCH1H150J	C CAPACITOR	15PF J		C435	CK73HB1E103K	C CAPACITOR	0.010UF K	
C210	CK73HB1A224K	C CAPACITOR	0.22UF K		C436	CC73HCH1H2R5B	C CAPACITOR	2.5PF B	
C211	CK73HB1H271K	C CAPACITOR	270PF K		C437	CC73HCH1H150J	C CAPACITOR	15PF J	
C212	CK73HB1H271K	C CAPACITOR	270PF K		C438	CC73HCH1H050B	C CAPACITOR	5.0PF B	
C213	CK73HB1H271K	C CAPACITOR	270PF K		C439	CC73HCH1H020B	C CAPACITOR	2.0PF B	
C214	CK73HB1H271K	C CAPACITOR	270PF K		C440	CC73HCH1H1R5B	C CAPACITOR	1.5PF B	
C216	CC73HCH1H050B	C CAPACITOR	5.0PF B		C441	CK73HB1E103K	C CAPACITOR	0.010UF K	
C218	CK73HB1A104K	C CAPACITOR	0.10UF K		C442	CC73HCH1H010B	C CAPACITOR	1.0PF B	
C219	CK73HB1H271K	C CAPACITOR	270PF K		C443	CK73HB1H271K	C CAPACITOR	270PF K	
C220	CC73HCH1H100C	C CAPACITOR	10PF C		C444	CK73HB1H271K	C CAPACITOR	270PF K	
C222	CK73HB1H271K	C CAPACITOR	270PF K		C445	CC73HCH1H020B	C CAPACITOR	2.0PF B	
C223	CC73HCH1H100B	C CAPACITOR	10PF B		C446	CK73HB1H271K	C CAPACITOR	270PF K	
C224	CK73HB1H271K	C CAPACITOR	270PF K		C447	CK73HB1H271K	C CAPACITOR	270PF K	
C225	CK73HB1H271K	C CAPACITOR	270PF K		C448	CC73HCH1H1R5B	C CAPACITOR	1.5PF B	
C226	CK73HB1H271K	C CAPACITOR	270PF K		C449	CC73HCH1H110G	C CAPACITOR	11PF G	
C227	CK73FB1A105K	C CAPACITOR	1.0UF K		C450	CC73HCH1H020B	C CAPACITOR	2.0PF B	
C228	CC73HCH1H101J	C CAPACITOR	100PF J		C451	CK73HB1H271K	C CAPACITOR	270PF K	
C229	CK73HB1H271K	C CAPACITOR	270PF K		C452	CC73HCH1HR75B	C CAPACITOR	0.75PF B	
C230	CC73HCH1H470J	C CAPACITOR	47PF J		C453	CK73HB1H271K	C CAPACITOR	270PF K	
C232	CK73HB1H271K	C CAPACITOR	270PF K		C454	CC73HCH1H040B	C CAPACITOR	4.0PF B	
C233	CK73HB1H271K	C CAPACITOR	270PF K		C455	CC73HCH1H110G	C CAPACITOR	11PF G	
C234	CC73HCH1H330J	C CAPACITOR	33PF J		C456	CC73HCH1HR75B	C CAPACITOR	0.75PF B	
C235	CC73HCH1H470J	C CAPACITOR	47PF J		C457	CK73HB1H271K	C CAPACITOR	270PF K	
C236	CC73HCH1H100B	C CAPACITOR	10PF B		C458	CC73HCH1H1R5B	C CAPACITOR	1.5PF B	
C239	CC73HCH1H151J	C CAPACITOR	150PF J		C459	CC73HCH1H110G	C CAPACITOR	11PF G	
C240	CC73HCH1H151J	C CAPACITOR	150PF J		C460	CC73HCH1H2R5B	C CAPACITOR	2.5PF B	
C241	CC73GCH1H180J	C CAPACITOR	18PF J		C461	CK73HB1H271K	C CAPACITOR	270PF K	
C242	CC73GCH1H240J	C CAPACITOR	24PF J		C464	CK73HB1H271K	C CAPACITOR	270PF K	
C243	CC73GCH1H120J	C CAPACITOR	12PF J		C465	CK73HB1H271K	C CAPACITOR	270PF K	
C244	CC73GCH1H0R3B	C CAPACITOR	0.3PF B		C466	CK73HB1H271K	C CAPACITOR	270PF K	
C245	CK73GB1A105K	C CAPACITOR	1.0UF K		C468	CK73HB1A104K	C CAPACITOR	0.10UF K	
C247	CK73GB1C104K	C CAPACITOR	0.10UF K		C469	CC73HCH1H101J	C CAPACITOR	100PF J	
C248	CC73GCH1H240J	C CAPACITOR	24PF J		C470	CC73HCH1H0R3B	C CAPACITOR	0.3PF B	
C249	CK73HB1H471K	C CAPACITOR	470PF K		C471	CC73HCH1H110G	C CAPACITOR	11PF G	
C250	CK73HB1E103K	C CAPACITOR	0.010UF K		C472	CK73HB1H271K	C CAPACITOR	270PF K	
C252	CK73HB1H271K	C CAPACITOR	270PF K		C473	CC73HCH1H040B	C CAPACITOR	4.0PF B	
C258	CK73HB1H271K	C CAPACITOR	270PF K		C474	CC73HCH1H040B	C CAPACITOR	4.0PF B	
C262	CK73HB1A104K	C CAPACITOR	0.10UF K		C475	CC73HCH1H110G	C CAPACITOR	11PF G	
C263	CK73HB1H271K	C CAPACITOR	270PF K		C476	CC73HCH1H1R5B	C CAPACITOR	1.5PF B	
C265	CC73GCH1H2R5B	C CAPACITOR	2.5PF B		C477	CK73HB1H271K	C CAPACITOR	270PF K	
C266	CC73GCH1H1R5B	C CAPACITOR	1.5PF B		C478	CC73HCH1H300J	C CAPACITOR	30PF J	
C267	CC73GCH1H050B	C CAPACITOR	5.0PF B		C480	CC73HCH1H090B	C CAPACITOR	9.0PF B	
C268	CK73GB1H271K	C CAPACITOR	270PF K		C481	CC73HCH1H050B	C CAPACITOR	5.0PF B	
C269	CK73HB1H271K	C CAPACITOR	270PF K		C483	CC73HCH1H010B	C CAPACITOR	1.0PF B	
C270	CC73HCH1H040B	C CAPACITOR	4.0PF B		C485	CK73HB1H102K	C CAPACITOR	1000PF K	
C271	CC73GCH1H060B	C CAPACITOR	6.0PF B		C486	CK73GB0J106K	C CAPACITOR	10UF K	
C272	CC73GCH1H101J	C CAPACITOR	100PF J		C487	CK73HB1A104K	C CAPACITOR	0.10UF K	
C273	CC73GCH1HR75B	C CAPACITOR	0.75PF B		C488	CK73HB1A224K	C CAPACITOR	0.22UF K	
C274	CC73GCH1H020B	C CAPACITOR	2.0PF B		C489	CK73HB1A105K	C CAPACITOR	1.0UF K	
C275	CC73GCH1H060B	C CAPACITOR	6.0PF B		C491	CK73HB1A105K	C CAPACITOR	1.0UF K	
C276	CC73GCH1H0R3B	C CAPACITOR	0.3PF B		C492	CK73HB1E103K	C CAPACITOR	0.010UF K	

△ Symbol No.	Part No.	Part Name	Description	Local	△ Symbol No.	Part No.	Part Name	Description	Local
C493	CK73HB1E103K	C CAPACITOR	0.010UF K		C777	CK73HB1A683K	C CAPACITOR	0.068UF K	
C494	CK73HB1A224K	C CAPACITOR	0.22UF K		C778	CK73HB1H271K	C CAPACITOR	270PF K	
C495	CK73HB1A104K	C CAPACITOR	0.10UF K		C779	CK73GB0J106K	C CAPACITOR	10UF K	
C496	CK73GB0J106K	C CAPACITOR	10UF K		C780	CK73HB1H271K	C CAPACITOR	270PF K	
C497	CK73HB1A104K	C CAPACITOR	0.10UF K		C781	CK73HB1A104K	C CAPACITOR	0.10UF K	
C600	CK73GB1A105K	C CAPACITOR	1.0UF K		C782	CK73HB1H271K	C CAPACITOR	270PF K	
C601	CK73GB1A105K	C CAPACITOR	1.0UF K		C783	CK73GB1A105K	C CAPACITOR	1.0UF K	
C602	CK73GB1C225K	C CAPACITOR	2.2UF K		C784	CK73GB1C225K	C CAPACITOR	2.2UF K	
C603	CK73GB1A105K	C CAPACITOR	1.0UF K		C785	CK73GB0J106K	C CAPACITOR	10UF K	
C604	CK73HB1H271K	C CAPACITOR	270PF K		C786	CK73HB1A224K	C CAPACITOR	0.22UF K	
C605	CK73GB1A105K	C CAPACITOR	1.0UF K		C787	CK73HB1A104K	C CAPACITOR	0.10UF K	
C606	CK73GB1A105K	C CAPACITOR	1.0UF K		C788	CK73FB0J226M	C CAPACITOR	22UF M	
C607	CK73GB1A105K	C CAPACITOR	1.0UF K		C789	CC73HCH1H101J	C CAPACITOR	100PF J	
C609	CK73HB1H271K	C CAPACITOR	270PF K		C790	CK73HB1A473K	C CAPACITOR	0.047UF K	
C610	CK73HB1H271K	C CAPACITOR	270PF K		C791	CK73HB1A104K	C CAPACITOR	0.10UF K	
C611	CK73HB1H271K	C CAPACITOR	270PF K		C792	CC73HCH1H101J	C CAPACITOR	100PF J	
C612	CK73HB1A104K	C CAPACITOR	0.10UF K		C794	CK73HB1A683K	C CAPACITOR	0.068UF K	
C613	CK73HB1H271K	C CAPACITOR	270PF K		C795	CK73GB1A105K	C CAPACITOR	1.0UF K	
C615	CK73HB1H271K	C CAPACITOR	270PF K		C798	CK73HB1H271K	C CAPACITOR	270PF K	
C616	CK73HB1H271K	C CAPACITOR	270PF K		C801	CK73GB1A105K	C CAPACITOR	1.0UF K	
C618	CK73GB1A105K	C CAPACITOR	1.0UF K		C802	CK73HB1H271K	C CAPACITOR	270PF K	
C620	CK73HB1H271K	C CAPACITOR	270PF K		C805	CK73HB1H271K	C CAPACITOR	270PF K	
C621	CK73GB1A105K	C CAPACITOR	1.0UF K		C806	CK73HB1H271K	C CAPACITOR	270PF K	
C623	CK73HB1H271K	C CAPACITOR	270PF K		C807	CK73HB1A104K	C CAPACITOR	0.10UF K	
C624	CK73HB1H271K	C CAPACITOR	270PF K		C808	CK73EB0J476M	C CAPACITOR	47UF M	
C625	CK73HB1H271K	C CAPACITOR	270PF K		C809	CK73EB0J476M	C CAPACITOR	47UF M	
C626	CK73HB1H271K	C CAPACITOR	270PF K		C814	CK73HB1A104K	C CAPACITOR	0.10UF K	
C628	CK73HB1H271K	C CAPACITOR	270PF K		C815	CK73HB1A105K	C CAPACITOR	1.0UF K	
C629	CK73HB1E103K	C CAPACITOR	0.010UF K		C851	CK73HB1A104K	C CAPACITOR	0.10UF K	
C630	CK73HB1H271K	C CAPACITOR	270PF K		C852	CK73HB1H152K	C CAPACITOR	1500PF K	
C631	CK73HB1H271K	C CAPACITOR	270PF K		C853	CK73HB1A104K	C CAPACITOR	0.10UF K	
C700	CK73HB1H271K	C CAPACITOR	270PF K		C905	CK73HB1A104K	C CAPACITOR	0.10UF K	
C704	CK73HB1H102K	C CAPACITOR	1000PF K		C906	CK73HB1H103K	C CAPACITOR	0.010UF K	
C706	CK73HB1A104K	C CAPACITOR	0.10UF K		C907	CK73HB1H103K	C CAPACITOR	0.010UF K	
C711	CK73HB1H271K	C CAPACITOR	270PF K		C908	CK73HB0J105K	C CAPACITOR	1.0UF K	
C718	CK73HB1A104K	C CAPACITOR	0.10UF K		C909	CK73HB1A104K	C CAPACITOR	0.10UF K	
C719	CK73HB1H102K	C CAPACITOR	1000PF K		C910	CK73HB0J225K	C CAPACITOR	2.2UF K	
C720	CK73GB1A105K	C CAPACITOR	1.0UF K		C911	CK73HB1A104K	C CAPACITOR	0.10UF K	
C723	CK73GB1A105K	C CAPACITOR	1.0UF K		C912	CK73HB0J225K	C CAPACITOR	2.2UF K	
C730	CK73GB1A105K	C CAPACITOR	1.0UF K		C913	CK73HB1A104K	C CAPACITOR	0.10UF K	
C732	CK73HB1H271K	C CAPACITOR	270PF K		C914	CK73HB1H103K	C CAPACITOR	0.010UF K	
C734	CK73GB0J106K	C CAPACITOR	10UF K		C915	CK73HB1H103K	C CAPACITOR	0.010UF K	
C735	CK73GB0J106K	C CAPACITOR	10UF K		C920	CK73HB1A104K	C CAPACITOR	0.10UF K	
C736	CK73HB1H271K	C CAPACITOR	270PF K		C921	CK73HB1A104K	C CAPACITOR	0.10UF K	
C737	CK73HB1A105K	C CAPACITOR	1.0UF K		C922	CK73HB1A104K	C CAPACITOR	0.10UF K	
C739	CK73HB1E103K	C CAPACITOR	0.010UF K		C923	CK73HB1A104K	C CAPACITOR	0.10UF K	
C740	CK73HB1A104K	C CAPACITOR	0.10UF K		C924	CK73GB1A105K	C CAPACITOR	1.0UF K	
C741	CK73GB0J106K	C CAPACITOR	10UF K		C925	CK73HB1A105K	C CAPACITOR	1.0UF K	
C742	CK73HB1H271K	C CAPACITOR	270PF K		C970	CK73HB1H102K	C CAPACITOR	1000PF K	
C743	CK73HB1H103K	C CAPACITOR	0.010UF K		C971	CK73HB1A104K	C CAPACITOR	0.10UF K	
C744	CK73GB0J106K	C CAPACITOR	10UF K		C980	CS77MB20J101M	TA E CAPACITOR	100UF 6.3WV	
C745	CK73HB1A104K	C CAPACITOR	0.10UF K		C981	CK73HB0J475M	C CAPACITOR	4.7UF M	
C746	CK73HB1H271K	C CAPACITOR	270PF K		C982	CK73HB0J105K	C CAPACITOR	1.0UF K	
C747	CK73HB1H152K	C CAPACITOR	1500PF K		C983	CK73HB1H102K	C CAPACITOR	1000PF K	
C748	CK73HB1A105K	C CAPACITOR	1.0UF K		C984	CK73HB1H102K	C CAPACITOR	1000PF K	
C749	CC73HCH1H101J	C CAPACITOR	100PF J		C985	CK73HB1H102K	C CAPACITOR	1000PF K	
C750	CC73HCH1H101J	C CAPACITOR	100PF J		C986	CK73HB1H102K	C CAPACITOR	1000PF K	
C751	CK73HB1H271K	C CAPACITOR	270PF K		C989	CK73HB1A104K	C CAPACITOR	0.10UF K	
C754	CC73HCH1H101J	C CAPACITOR	100PF J		C999	CK73HB1A104K	C CAPACITOR	0.10UF K	
C756	CK73HB1A105K	C CAPACITOR	1.0UF K		R1	RK73HB1J103J	MG RESISTOR	10K J 1/16W	
C758	CK73HB0J475M	C CAPACITOR	4.7UF M		R2	RK73HB1J334J	MG RESISTOR	330K J 1/16W	
C759	CK73HB1A105K	C CAPACITOR	1.0UF K		R3	RK73HB1J000J	MG RESISTOR	0.0 J 1/16W	
C760	CK73HB1A474K	C CAPACITOR	0.47UF K		R4	RK73HB1J000J	MG RESISTOR	0.0 J 1/16W	
C761	CK73HB1A474K	C CAPACITOR	0.47UF K		R5	RK73HB1J000J	MG RESISTOR	0.0 J 1/16W	
C762	CK73HB1H271K	C CAPACITOR	270PF K		R7	RK73HB1J000J	MG RESISTOR	0.0 J 1/16W	
C763	CK73HB1A473K	C CAPACITOR	0.047UF K		R8	RK73HB1J331J	MG RESISTOR	330 J 1/16W	
C764	CK73HB1H271K	C CAPACITOR	270PF K		R9	RK73HB1J394J	MG RESISTOR	390K J 1/16W	
C765	CK73HB1H271K	C CAPACITOR	270PF K		R10	RK73HB1J101J	MG RESISTOR	100 J 1/16W	
C766	CK73HB1A474K	C CAPACITOR	0.47UF K		R11	RK73HB1J122J	MG RESISTOR	1.2K J 1/16W	
C767	CK73GB0J225K	C CAPACITOR	2.2UF K		R13	RK73HB1J100J	MG RESISTOR	10 J 1/16W	
C768	CK73GB0J225K	C CAPACITOR	2.2UF K		R16	RK73HB1J000J	MG RESISTOR	0.0 J 1/16W	
C769	CK73HB1A474K	C CAPACITOR	0.47UF K		R17	RK73HB1J000J	MG RESISTOR	0.0 J 1/16W	
C770	CK73HB1H271K	C CAPACITOR	270PF K		R18	RK73HB1J152J	MG RESISTOR	1.5K J 1/16W	
C771	CK73HB1H271K	C CAPACITOR	270PF K		R19	RK73HB1J391J	MG RESISTOR	390 J 1/16W	
C772	CC73HCH1H470J	C CAPACITOR	47PF J		R20	RK73HB1J000J	MG RESISTOR	0.0 J 1/16W	
C773	CK73HB1H271K	C CAPACITOR	270PF K		R21	RK73HB1J105J	MG RESISTOR	1.0M J 1/16W	
C774	CK73HB1H271K	C CAPACITOR	270PF K		R22	RK73HB1J103J	MG RESISTOR	10K J 1/16W	
C775	CK73HB1A104K	C CAPACITOR	0.10UF K						

△ Symbol No.	Part No.	Part Name	Description	Local	△ Symbol No.	Part No.	Part Name	Description	Local
R24	RK73HB1J474J	MG RESISTOR	470K J 1/16W		R409	RK73HB1J563J	MG RESISTOR	56K J 1/16W	
R25	RK73HB1J105J	MG RESISTOR	1.0M J 1/16W		R412	RK73HB1J100J	MG RESISTOR	10 J 1/16W	
R26	RK73HB1J102J	MG RESISTOR	1.0K J 1/16W		R413	RK73HB1J154J	MG RESISTOR	150K J 1/16W	
R27	RK73HB1J103J	MG RESISTOR	10K J 1/16W		R414	RK73HB1J101J	MG RESISTOR	100 J 1/16W	
R28	RK73HB1J102J	MG RESISTOR	1.0K J 1/16W		R417	RK73HB1J564J	MG RESISTOR	560K J 1/16W	
R29	RK73HB1J220J	MG RESISTOR	22 J 1/16W		R418	RK73HB1J564J	MG RESISTOR	560K J 1/16W	
R30	RK73HB1J154J	MG RESISTOR	150K J 1/16W		R419	RK73HB1J121J	MG RESISTOR	120 J 1/16W	
R31	RK73HB1J393J	MG RESISTOR	39K J 1/16W		R420	RK73HB1J101J	MG RESISTOR	100 J 1/16W	
R32	RK73HB1J472J	MG RESISTOR	4.7K J 1/16W		R421	RK73HB1J470J	MG RESISTOR	47 J 1/16W	
R33	RK73HB1J823J	MG RESISTOR	82K J 1/16W		R422	RK73HB1J472J	MG RESISTOR	4.7K J 1/16W	
R34	RK73HB1J104J	MG RESISTOR	100K J 1/16W		R423	RK73HB1J222J	MG RESISTOR	2.2K J 1/16W	
R35	RK73HB1J680J	MG RESISTOR	68 J 1/16W		R424	RK73HB1J391J	MG RESISTOR	39K J 1/16W	
R36	RK73HB1J151J	MG RESISTOR	150 J 1/16W		R425	RK73HB1J563J	MG RESISTOR	56K J 1/16W	
R37	RK73HB1J100J	MG RESISTOR	10 J 1/16W		R426	RK73HB1J124J	MG RESISTOR	120K J 1/16W	
R38	RK73HB1J100J	MG RESISTOR	10 J 1/16W		R427	RK73HB1J104J	MG RESISTOR	100K J 1/16W	
R39	RK73HB1J104J	MG RESISTOR	100K J 1/16W		R428	RK73HB1J563J	MG RESISTOR	56K J 1/16W	
R40	RK73HB1J154J	MG RESISTOR	150K J 1/16W		R429	RK73HB1J000J	MG RESISTOR	0.0 J 1/16W	
R41	RK73HB1J101J	MG RESISTOR	100 J 1/16W		R430	RK73HB1J474J	MG RESISTOR	470K J 1/16W	
R42	RK73HB1J682J	MG RESISTOR	6.8K J 1/16W		R433	RK73HB1J562J	MG RESISTOR	5.6K J 1/16W	
R43	RK73HB1J562J	MG RESISTOR	5.6K J 1/16W		R434	RK73HB1J100J	MG RESISTOR	10 J 1/16W	
R44	RK73HB1J220J	MG RESISTOR	22 J 1/16W		R435	RK73HB1J181J	MG RESISTOR	180 J 1/16W	
R45	RK73HB1J331J	MG RESISTOR	330 J 1/16W		R436	RK73HB1J474J	MG RESISTOR	470K J 1/16W	
R46	RK73HB1J222J	MG RESISTOR	2.2K J 1/16W		R438	RK73HB1J104J	MG RESISTOR	100K J 1/16W	
R48	RK73HB1J472J	MG RESISTOR	4.7K J 1/16W		R439	RK73HB1J823J	MG RESISTOR	82K J 1/16W	
R51	RK73HB1J102J	MG RESISTOR	1.0K J 1/16W		R440	RK73HB1J000J	MG RESISTOR	0.0 J 1/16W	
R52	RK73HB1J100J	MG RESISTOR	10 J 1/16W		R441	RK73HH1J473D	MG RESISTOR	47K D 1/16W	
R53	RK73HB1J000J	MG RESISTOR	0.0 J 1/16W		R444	RK73HB1J474J	MG RESISTOR	470K J 1/16W	
R54	RK73HB1J103J	MG RESISTOR	10K J 1/16W		R449	RK73HB1J224J	MG RESISTOR	220K J 1/16W	
R55	RK73HB1J273J	MG RESISTOR	27K J 1/16W		R450	RK73HB1J000J	MG RESISTOR	0.0 J 1/16W	
R56	RK73HB1J100J	MG RESISTOR	10 J 1/16W		R451	RK73HB1J000J	MG RESISTOR	0.0 J 1/16W	
R58	RK73HB1J103J	MG RESISTOR	10K J 1/16W		R452	RK73HB1J000J	MG RESISTOR	0.0 J 1/16W	
R200	RK73HB1J472J	MG RESISTOR	4.7K J 1/16W		R453	RK73HB1J000J	MG RESISTOR	0.0 J 1/16W	
R202	RK73HB1J000J	MG RESISTOR	0.0 J 1/16W		R454	RK73HB1J000J	MG RESISTOR	0.0 J 1/16W	
R210	RK73HB1J102J	MG RESISTOR	1.0K J 1/16W		R455	RK73HB1J104J	MG RESISTOR	100K J 1/16W	
R211	RK73HB1J152J	MG RESISTOR	1.5K J 1/16W		R460	RK73HB1J105J	MG RESISTOR	1.0M J 1/16W	
R212	RK73HB1J182J	MG RESISTOR	1.8K J 1/16W		R600	RK73GB2A221J	MG RESISTOR	220 J 1/10W	
R213	RK73HB1J220J	MG RESISTOR	22 J 1/16W		R601	RK73HB1J104J	MG RESISTOR	100K J 1/16W	
R214	RK73HB1J561J	MG RESISTOR	560 J 1/16W		R602	RK73HB1J104J	MG RESISTOR	100K J 1/16W	
R215	RK73HB1J821J	MG RESISTOR	820 J 1/16W		R603	RK73HB1J101J	MG RESISTOR	100 J 1/16W	
R217	RK73HB1J5R6J	MG RESISTOR	5.6 J 1/16W		R604	RK73GB2A331J	MG RESISTOR	330 J 1/10W	
R219	RK73HB1J821J	MG RESISTOR	820 J 1/16W		R605	RK73HB1J223J	MG RESISTOR	22K J 1/16W	
R222	RK73HB1J000J	MG RESISTOR	0.0 J 1/16W		R606	RK73HB1J104J	MG RESISTOR	100K J 1/16W	
R223	RK73HB1J561J	MG RESISTOR	560 J 1/16W		R607	RK73HB1J104J	MG RESISTOR	100K J 1/16W	
R224	RK73HB1J151J	MG RESISTOR	150 J 1/16W		R608	RK73GB2A271J	MG RESISTOR	270 J 1/10W	
R225	RK73HB1J183J	MG RESISTOR	18K J 1/16W		R609	RK73HB1J102J	MG RESISTOR	1.0K J 1/16W	
R226	RK73HB1J472J	MG RESISTOR	4.7K J 1/16W		R610	RK73HB1J104J	MG RESISTOR	100K J 1/16W	
R227	RK73HB1J273J	MG RESISTOR	27K J 1/16W		R611	RK73HB1J104J	MG RESISTOR	100K J 1/16W	
R228	RK73HB1J333J	MG RESISTOR	33K J 1/16W		R612	RK73HB1J104J	MG RESISTOR	100K J 1/16W	
R229	RK73HB1J470J	MG RESISTOR	47 J 1/16W		R613	RK73HB1J104J	MG RESISTOR	100K J 1/16W	
R230	RK73EB2ER39K	MG RESISTOR	0.39 K 1/4W		R614	RK73HH1J824D	MG RESISTOR	820K D 1/16W	
R231	RK73EB2ER39K	MG RESISTOR	0.39 K 1/4W		R615	RK73HH1J394D	MG RESISTOR	390K D 1/16W	
R232	RK73HB1J183J	MG RESISTOR	18K J 1/16W		R616	RK73HB1J000J	MG RESISTOR	0.0 J 1/16W	
R233	RK73EB2ER39K	MG RESISTOR	0.39 K 1/4W		R701	RK73HH1J103D	MG RESISTOR	10K D 1/16W	
R235	RK73HB1J182J	MG RESISTOR	1.8K J 1/16W		R702	RK73HH1J103D	MG RESISTOR	10K D 1/16W	
R236	RK73HB1J150J	MG RESISTOR	15 J 1/16W		R703	RK73HB1J153J	MG RESISTOR	15K J 1/16W	
R237	RK73HH1J154D	MG RESISTOR	150K D 1/16W		R705	RK73HB1J103J	MG RESISTOR	10K J 1/16W	
R238	RK73HH1J154D	MG RESISTOR	150K D 1/16W		R708	RK73HB1J102J	MG RESISTOR	1.0K J 1/16W	
R239	RK73HB1J183J	MG RESISTOR	18K J 1/16W		R709	RK73HB1J222J	MG RESISTOR	2.2K J 1/16W	
R241	RK73HH1J474D	MG RESISTOR	470K D 1/16W		R710	RK73HB1J102J	MG RESISTOR	1.0K J 1/16W	
R242	RK73HH1J474D	MG RESISTOR	470K D 1/16W		R711	RK73HH1J103D	MG RESISTOR	10K D 1/16W	
R243	RK73HB1J103J	MG RESISTOR	10K J 1/16W		R712	RK73HB1J473J	MG RESISTOR	47K J 1/16W	
R244	RK73HB1J563J	MG RESISTOR	56K J 1/16W		R715	RK73HB1J102J	MG RESISTOR	1.0K J 1/16W	
R246	RK73HB1J474J	MG RESISTOR	470K J 1/16W		R718	RK73HB1J820J	MG RESISTOR	82 J 1/16W	
R247	RK73HB1J104J	MG RESISTOR	100K J 1/16W		R720	RK73HB1J000J	MG RESISTOR	0.0 J 1/16W	
R248	RK73HB1J105J	MG RESISTOR	1.0M J 1/16W		R723	RK73HB1J000J	MG RESISTOR	0.0 J 1/16W	
R249	RK73HB1J271J	MG RESISTOR	270 J 1/16W		R725	RK73HB1J473J	MG RESISTOR	47K J 1/16W	
R250	RK73FB2B000J	MG RESISTOR	0.0 J 1/8W		R726	RK73HB1J102J	MG RESISTOR	1.0K J 1/16W	
R251	RK73HB1J271J	MG RESISTOR	270 J 1/16W		R736	RK73HB1J101J	MG RESISTOR	100 J 1/16W	
R252	RK73GB2A000J	MG RESISTOR	0.0 J 1/10W		R737	RK73HB1J101J	MG RESISTOR	100 J 1/16W	
R253	RK73GB2A823J	MG RESISTOR	82K J 1/10W		R740	RK73HB1J472J	MG RESISTOR	4.7K J 1/16W	
R254	RK73HB1J000J	MG RESISTOR	0.0 J 1/16W		R744	RK73HB1J150J	MG RESISTOR	15 J 1/16W	
R400	RK73HB1J334J	MG RESISTOR	330K J 1/16W		R746	RK73HB1J103J	MG RESISTOR	10K J 1/16W	
R401	RK73HB1J101J	MG RESISTOR	100 J 1/16W		R748	RK73HB1J000J	MG RESISTOR	0.0 J 1/16W	
R403	RK73HB1J222J	MG RESISTOR	2.2K J 1/16W		R751	RK73HB1J105J	MG RESISTOR	1.0M J 1/16W	
R404	RK73HB1J564J	MG RESISTOR	560K J 1/16W		R752	RK73HB1J000J	MG RESISTOR	0.0 J 1/16W	
R405	RK73HB1J474J	MG RESISTOR	470K J 1/16W		R755	RK73HB1J564J	MG RESISTOR	560K J 1/16W	
R407	RK73HB1J332J	MG RESISTOR	3.3K J 1/16W		R756	RK73HB1J100J	MG RESISTOR	10 J 1/16W	
R408	RK73HB1J332J	MG RESISTOR	3.3K J 1/16W		R757	RK73HB1J473J	MG RESISTOR	47K J 1/16W	

△ Symbol No.	Part No.	Part Name	Description	Local	△ Symbol No.	Part No.	Part Name	Description	Local
R759	RK73HB1J153J	MG RESISTOR	15K J 1/16W		R993	RK73HB1J101J	MG RESISTOR	100 J 1/16W	
R760	RK73HB1J473J	MG RESISTOR	47K J 1/16W		R994	RK73HB1J101J	MG RESISTOR	100 J 1/16W	
R762	RK73HB1J104J	MG RESISTOR	100K J 1/16W		R995	RK73HB1J101J	MG RESISTOR	100 J 1/16W	
R763	RK73HB1J104J	MG RESISTOR	100K J 1/16W		R996	RK73HB1J101J	MG RESISTOR	100 J 1/16W	
R764	RK73HB1J000J	MG RESISTOR	0.0 J 1/16W		R997	RK73HB1J101J	MG RESISTOR	100 J 1/16W	
R765	RK73HB1J273J	MG RESISTOR	27K J 1/16W		L1	L41-4795-39	SMALL FIXED INDUCTOR	(4.7UH)	
R766	RK73HB1J334J	MG RESISTOR	330K J 1/16W		L2	L92-0442-05	CHIP FERRITE		
R767	RK73HB1J104J	MG RESISTOR	100K J 1/16W		L3	L92-0163-05	BEADS CORE		
R768	RK73HB1J103J	MG RESISTOR	10K J 1/16W		L4	L40-6865-71	SMALL FIXED INDUCTOR	(6.8NH)	
R769	RK73HB1J104J	MG RESISTOR	100K J 1/16W		L7	L41-1885-53	SMALL FIXED INDUCTOR	(0.18UH)	
R770	RK73HB1J124J	MG RESISTOR	120K J 1/16W		L8	L41-1885-53	SMALL FIXED INDUCTOR	(0.18UH)	
R772	RK73HB1J154J	MG RESISTOR	150K J 1/16W		L9	L40-2275-71	SMALL FIXED INDUCTOR	(22NH)	
R773	RK73HB1J103J	MG RESISTOR	10K J 1/16W		L12	L41-1885-53	SMALL FIXED INDUCTOR	(0.18UH)	
R774	RK73HB1J101J	MG RESISTOR	100 J 1/16W		L13	L41-2285-53	SMALL FIXED INDUCTOR	(0.22UH)	
R775	RK73HB1J000J	MG RESISTOR	0.0 J 1/16W		L14	L41-2285-53	SMALL FIXED INDUCTOR	(0.22UH)	
R777	RK73HB1J104J	MG RESISTOR	100K J 1/16W		L15	L41-1578-14	SMALL FIXED INDUCTOR	(15NH)	
R780	RK73HB1J474J	MG RESISTOR	470K J 1/16W		L16	L41-1878-14	SMALL FIXED INDUCTOR	(18NH)	
R781	RK73HB1J682J	MG RESISTOR	6.8K J 1/16W		L17	L92-0163-05	BEADS CORE		
R782	RK73HB1J473J	MG RESISTOR	47K J 1/16W		L18	L41-2785-53	SMALL FIXED INDUCTOR	(0.27UH)	
R783	RK73HB1J272J	MG RESISTOR	2.7K J 1/16W		L19	L41-2785-53	SMALL FIXED INDUCTOR	(0.27UH)	
R784	RK73HB1J123J	MG RESISTOR	12K J 1/16W		L21	L41-2285-53	SMALL FIXED INDUCTOR	(0.22UH)	
R785	RK73HB1J123J	MG RESISTOR	12K J 1/16W		L23	L41-1885-53	SMALL FIXED INDUCTOR	(0.18UH)	
R786	RK73HB1J104J	MG RESISTOR	100K J 1/16W		L24	L40-2775-71	SMALL FIXED INDUCTOR	(27NH)	
R787	RK73HB1J105J	MG RESISTOR	1.0M J 1/16W		L25	L40-2775-71	SMALL FIXED INDUCTOR	(27NH)	
R788	RK73HB1J473J	MG RESISTOR	47K J 1/16W		L26	L40-8265-71	SMALL FIXED INDUCTOR	(8.2NH)	
R789	RK73HB1J103J	MG RESISTOR	10K J 1/16W		L27	L41-1885-53	SMALL FIXED INDUCTOR	(0.18UH)	
R790	RK73HB1J103J	MG RESISTOR	10K J 1/16W		L204	L40-8265-71	SMALL FIXED INDUCTOR	(8.2NH)	
R792	RK73HB1J471J	MG RESISTOR	470 J 1/16W		L205	L40-3375-71	SMALL FIXED INDUCTOR	(33NH)	
R793	RK73HB1J182J	MG RESISTOR	1.8K J 1/16W		L206	L92-0162-05	BEADS CORE		
R794	RK73HB1J152J	MG RESISTOR	1.5K J 1/16W		L207	L40-1275-71	SMALL FIXED INDUCTOR	(12NH)	
R795	RK73HB1J473J	MG RESISTOR	47K J 1/16W		L208	L34-4574-05	AIR-CORE COIL		
R796	RK73HB1J561J	MG RESISTOR	560 J 1/16W		L209	L92-0149-05	CHIP FERRITE		
R797	RK73HH1J274D	MG RESISTOR	270K D 1/16W		L211	L41-1563-53	SMALL FIXED INDUCTOR	(1.5NH)	
R798	RK73HH1J124D	MG RESISTOR	120K D 1/16W		L212	L92-0149-05	CHIP FERRITE		
R800	RK73HB1J183J	MG RESISTOR	18K J 1/16W		L213	L34-4565-05	AIR-CORE COIL		
R801	RK73HB1J101J	MG RESISTOR	100 J 1/16W		L216	L41-2285-43	SMALL FIXED INDUCTOR	(220NH)	
R802	RK73HB1J474J	MG RESISTOR	470K J 1/16W		L217	L34-4564-05	AIR-CORE COIL		
R803	RK73HB1J391J	MG RESISTOR	390 J 1/16W		L218	L34-4563-05	AIR-CORE COIL		
R804	RK73HB1J124J	MG RESISTOR	120K J 1/16W		L219	L34-4565-05	AIR-CORE COIL		
R805	RK73HB1J103J	MG RESISTOR	10K J 1/16W		L220	L34-4564-05	AIR-CORE COIL		
R806	RK73HB1J103J	MG RESISTOR	10K J 1/16W		L400	L41-1885-53	SMALL FIXED INDUCTOR	(0.18UH)	
R807	RK73HB1J183J	MG RESISTOR	18K J 1/16W		L401	L40-1085-71	SMALL FIXED INDUCTOR	(100NH)	
R809	RK73HB1J103J	MG RESISTOR	10K J 1/16W		L402	L40-1591-86	SMALL FIXED INDUCTOR	(1.5UH)	
R810	RK73HB1J334J	MG RESISTOR	330K J 1/16W		L403	L92-0138-05	CHIP FERRITE		
R811	RK73HB1J274J	MG RESISTOR	270K J 1/16W		L404	L41-6885-39	SMALL FIXED INDUCTOR	(0.68UH)	
R812	RK73HB1J473J	MG RESISTOR	47K J 1/16W		L405	L40-1575-71	SMALL FIXED INDUCTOR	(15NH)	
R813	RK73HB1J823J	MG RESISTOR	82K J 1/16W		L406	L41-2285-53	SMALL FIXED INDUCTOR	(0.22UH)	
R814	RK73HB1J273J	MG RESISTOR	27K J 1/16W		L407	L40-1575-71	SMALL FIXED INDUCTOR	(15NH)	
R815	RK73HB1J101J	MG RESISTOR	100 J 1/16W		L408	L40-1875-92	SMALL FIXED INDUCTOR	(18NH)	
R816	RK73HB1J102J	MG RESISTOR	1.0K J 1/16W		L410	L41-8268-14	SMALL FIXED INDUCTOR	(8.2NH)	
R817	RK73HB1J000J	MG RESISTOR	0.0 J 1/16W		L411	L41-8268-14	SMALL FIXED INDUCTOR	(8.2NH)	
R822	RK73HB1J224J	MG RESISTOR	220K J 1/16W		L412	L92-0138-05	CHIP FERRITE		
R824	RK73HB1J102J	MG RESISTOR	1.0K J 1/16W		L413	L41-8268-14	SMALL FIXED INDUCTOR	(8.2NH)	
R825	RK73HB1J104J	MG RESISTOR	100K J 1/16W		L414	L41-2785-14	SMALL FIXED INDUCTOR	(270NH)	
R826	RK73HB1J104J	MG RESISTOR	100K J 1/16W		L415	L41-8268-14	SMALL FIXED INDUCTOR	(8.2NH)	
R828	RK73HB1J333J	MG RESISTOR	33K J 1/16W		L416	L41-8268-14	SMALL FIXED INDUCTOR	(8.2NH)	
R850	RK73GB2A000J	MG RESISTOR	0.0 J 1/10W		L417	L41-5678-14	SMALL FIXED INDUCTOR	(56NH)	
R852	RK73HB1J123J	MG RESISTOR	12K J 1/16W		L420	L40-1875-71	SMALL FIXED INDUCTOR	(18NH)	
R853	RK73HB1J123J	MG RESISTOR	12K J 1/16W		L600	L92-0472-05	CHIP FERRITE		
R857	RK73HB1J100J	MG RESISTOR	10 J 1/16W		L601	L92-0138-05	CHIP FERRITE		
R860	RK73HB1J000J	MG RESISTOR	0.0 J 1/16W		L700	L92-0161-05	BEADS CORE		
R901	RK73HB1J473J	MG RESISTOR	47K J 1/16W		L701	L92-0161-05	BEADS CORE		
R902	RK73HB1J473J	MG RESISTOR	47K J 1/16W		L702	L92-0161-05	BEADS CORE		
R903	RK73HB1J220J	MG RESISTOR	22 J 1/16W		L901	L92-0163-05	BEADS CORE		
R904	RK73HB1J820J	MG RESISTOR	82 J 1/16W		L902	L92-0163-05	BEADS CORE		
R905	RK73HB1J474J	MG RESISTOR	470K J 1/16W		L903	L92-0163-05	BEADS CORE		
R907	RK73HB1J000J	MG RESISTOR	0.0 J 1/16W		CN600	E40-6922-05	FLAT CABLE CONNECTOR		
R960	RK73HB1J000J	MG RESISTOR	0.0 J 1/16W		CN912	E23-1167-05	TERMINAL		
R970	RK73HB1J000J	MG RESISTOR	0.0 J 1/16W		CN913	E23-1167-05	TERMINAL		
R977	RK73HB1J103J	MG RESISTOR	10K J 1/16W		CN914	E23-1167-05	TERMINAL		
R978	RK73HB1J103J	MG RESISTOR	10K J 1/16W		CN915	E23-1167-05	TERMINAL		
R979	RK73HB1J103J	MG RESISTOR	10K J 1/16W		CN916	E23-1167-05	TERMINAL		
R983	RK73GB2A000J	MG RESISTOR	0.0 J 1/10W		CN917	E23-1167-05	TERMINAL		
R984	RK73GB2A000J	MG RESISTOR	0.0 J 1/10W		CN918	E23-1167-05	TERMINAL		
R987	RK73GB2A000J	MG RESISTOR	0.0 J 1/10W		CN919	E23-1167-05	TERMINAL		
R988	RK73GB2A000J	MG RESISTOR	0.0 J 1/10W		CN920	E23-1167-05	TERMINAL		
R991	RK73HB1J101J	MG RESISTOR	100 J 1/16W						
R992	RK73HB1J101J	MG RESISTOR	100 J 1/16W						

△ Symbol No.	Part No.	Part Name	Description	Local
CN921	E23-1167-05	TERMINAL		
CP1	RK75HA1J101J	CHIP-COM	100 J 1/16W	
CP20	RK75HA1J473J	CHIP-COM	47K J 1/16W	
CP21	RK75HA1J473J	CHIP-COM	47K J 1/16W	
CP22	RK75HA1J102J	CHIP-COM	1.0K J 1/16W	
CP23	RK75HA1J473J	CHIP-COM	47K J 1/16W	
CP24	RK75HA1J102J	CHIP-COM	1.0K J 1/16W	
CP25	RK75HA1J473J	CHIP-COM	47K J 1/16W	
CP26	RK75HA1J103J	CHIP-COM	10K J 1/16W	
CP27	RK75HA1J474J	CHIP-COM	470K J 1/16W	
CP28	RK75HA1J103J	CHIP-COM	10K J 1/16W	
CP401	RK75HA1J474J	CHIP-COM	470K J 1/16W	
CP402	RK75HA1J474J	CHIP-COM	470K J 1/16W	
F600	F53-0324-15	FUSE	(2.5A)	
F601	F53-0319-15	FUSE	(1A)	
J601	E11-0703-05	PHONE JACK	(SP/MIC)	
S601	S70-0414-05	TACT SWITCH		
S602	S70-0414-05	TACT SWITCH		
S603	S70-0414-05	TACT SWITCH		
TH200	ERTJ0EV104J	THERMISTOR		
TH400	NCP18WM154J03	THERMISTOR		
X1	L77-3128-05	TCXO	(16.8MHZ)	
X2	L77-3129-05	TCXO	(19.2MHZ)	
XF400	L71-0684-05	MCF	(49.95MHZ)	