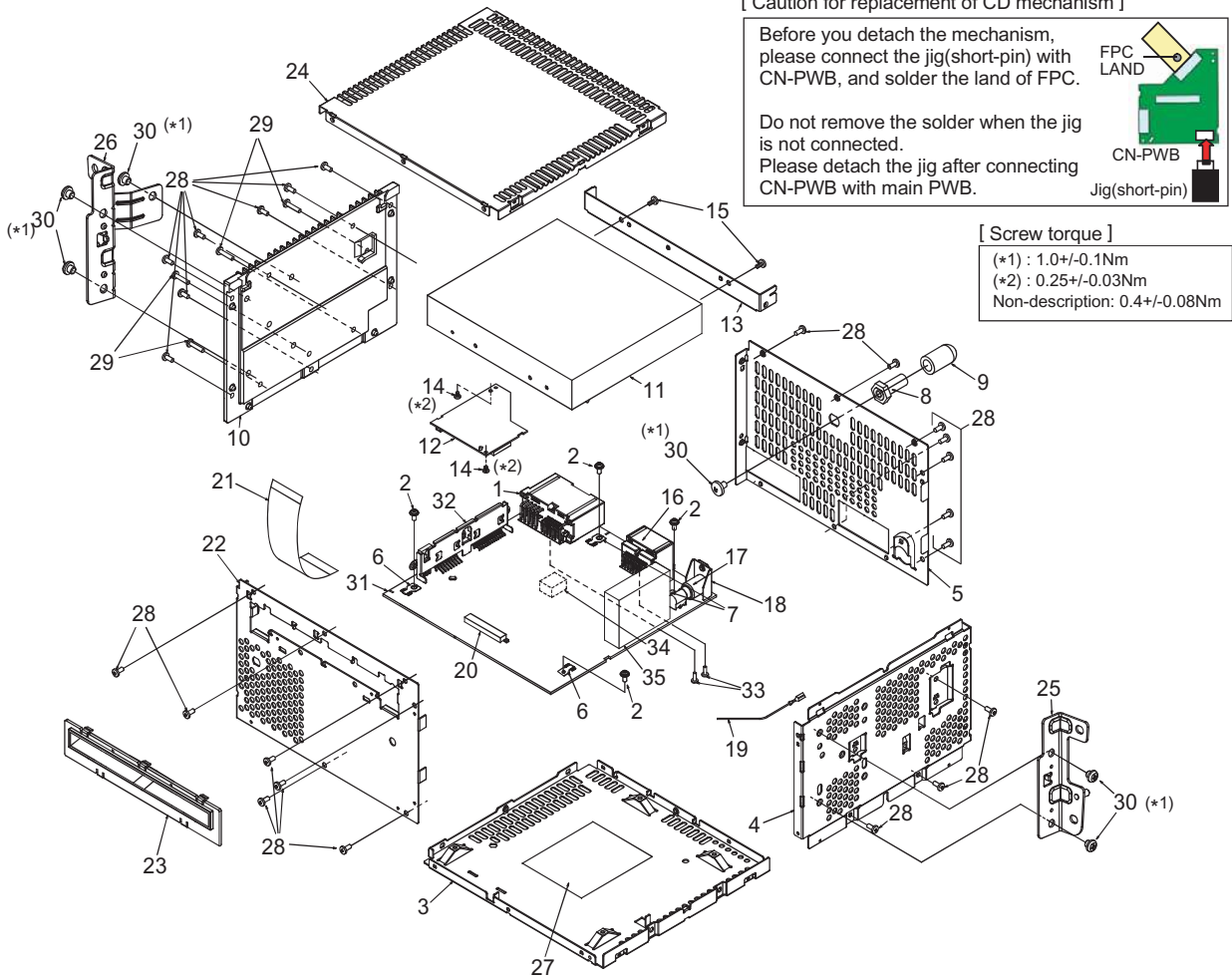


EXPLODED VIEW/PARTS LIST



NO.	PART NO.	DESCRIPTION	Q'TY
1	074-4032-24	OUTLET SOCKET(24P)	1
2	716-0878-50	SCREW(M2.6x5)	4
3	304-0487-00	LOWER-CVR	1
4	305-0349-10	SIDE-CVR	1
5	307-0730-01	REAR-CVR	1
6	073-0762-90	TERMINAL	2
7	073-0768-90	TERMINAL	2
8	716-3607-00	REAR BOLT	1
9	345-6054-00	RUBBER PART	1
10	313-2020-02	HEAT SINK	1
11	929-5013-81	CD-CHANG-MODULE	1
12	-----	MECH PWB	1
13	331-4431-10	MECH BRKT	1
14	716-1507-01	SCREW(M2x3)	2
15	714-2603-89	SCREW(M2.6x3)	2
16	074-4032-16	OUTLET SOCKET(16P)	1
17	092-2228-60	ANT-RECEPT	1
18	331-4433-00	ANT HOLDER	1

NO.	PART NO.	DESCRIPTION	Q'TY
19	840-0544-50	BONDING WIRE	1
20	074-1237-77	PULG(27P)	1
21	816-4044-50	FLAT WIRE	1
22	309-0847-02	FRONT PLATE	1
23	335-8124-01	DISC GUIDE	1
24	303-0494-00	UPPER-CVR	1
25	300-8180-02	MTG-BRKT-ASSY (R)	1
26	300-8179-02	MTG-BRKT-ASSY (L)	1
27	276-0647-12	SETPLATE	1
28	714-2606-8B	SCREW(M2.6x6)	23
29	714-2612-8H	SCREW(M2.6x12)	4
30	714-5006-8B	SCREW(M5x6)	6
31	-----	Main PWB	1
32	331-4432-01	IC HOLDER	1
33	716-3617-00	SCREW(M2.5x6)	2
34	345-6066-00	GASKET	1
35	880-20911	AM/FM TUNER PACK	1

ELECTRICAL PARTS LIST

CN PWB(B1) section

REF No.	PART No.	DESCRIPTION
J201	074-1138-65	15P
J301	074-1138-60	10P

REF No.	PART No.	DESCRIPTION
J401	074-1228-77	27P
J402	074-1228-54	4P

REF No.	PART No.	DESCRIPTION
PWB	039-3113-01	PWB (WITHOUT COMPONENT)

Main PWB(B2) section

REF No.	PART No.	DESCRIPTION
ANT104	092-2228-60	ANT-RECEPT
BL151	880-20911	AM/FM-TUNER
C173	166-1511-50	150pF CH
C174	165-1073-35	16V 100uF
C175	166-2201-50	22pF CH
C176	168-1022-55	1000pF K
C177	168-1022-55	1000pF K
C178	168-1022-55	1000pF K
C179	168-1022-55	1000pF K
C180	165-1073-35	16V 100uF
C181	168-1022-55	1000pF K
C182	168-1022-55	1000pF K
C183	168-1022-55	1000pF K
C201	168-1042-78	16V 0.1uF K
C202	168-2232-55	0.022uF K
C203	168-2232-55	0.022uF K
C204	168-2232-55	0.022uF K
C206	166-1011-50	100pF CH
C207	168-1042-78	16V 0.1uF K
C209	168-1042-78	16V 0.1uF K
C212	166-1011-50	100pF CH
C214	166-9097-50	9pF +/-0.5pF CH
C215	178-1055-79	1uF
C216	166-4711-50	470pF CH
C217	166-9097-50	9pF +/-0.5pF CH
C218	166-1811-50	180pF CH
C219	168-1022-55	1000pF K
C227	168-5622-55	5600pF K
C229	168-5622-55	5600pF K
C230	168-1042-78	16V 0.1uF K
C231	168-1022-55	1000pF K
C232	165-4753-55	35V 4.7uF
C233	168-1042-78	16V 0.1uF K
C234	166-1011-50	100pF CH
C235	168-2232-55	0.022uF K
C236	168-1022-55	1000pF K
C237	168-1042-78	16V 0.1uF K
C238	042-4021-92	6.3V 330uF
C239	168-1042-78	16V 0.1uF K
C240	042-4021-91	10V 220uF
C241	168-1042-78	16V 0.1uF K
C242	168-1042-78	16V 0.1uF K
C243	168-1022-55	1000pF K
C244	168-2232-55	0.022uF K
C245	168-1042-78	16V 0.1uF K
C246	168-1032-55	0.01uF K
C247	168-2222-55	2200pF K
C248	168-2222-55	2200pF K
C249	165-4753-55	35V 4.7uF
C250	168-1042-78	16V 0.1uF K
C251	168-1042-78	16V 0.1uF K
C252	165-4753-55	35V 4.7uF
C254	166-1011-50	100pF CH
C256	168-1042-78	16V 0.1uF K
C257	178-1055-79	1uF
C258	168-3332-78	0.033uF K
C259	165-4763-15	6.3V 47uF
C260	042-0423-94	10V 4.7uF
C261	168-1022-55	1000pF K
C262	168-1042-78	16V 0.1uF K
C263	165-1063-35	16V 10uF
C264	168-1052-78	16V 1uF K
C265	166-2211-50	220pF CH
C266	166-2211-50	220pF CH
C267	165-1073-15	6.3V 100uF
C268	168-1042-78	16V 0.1uF K

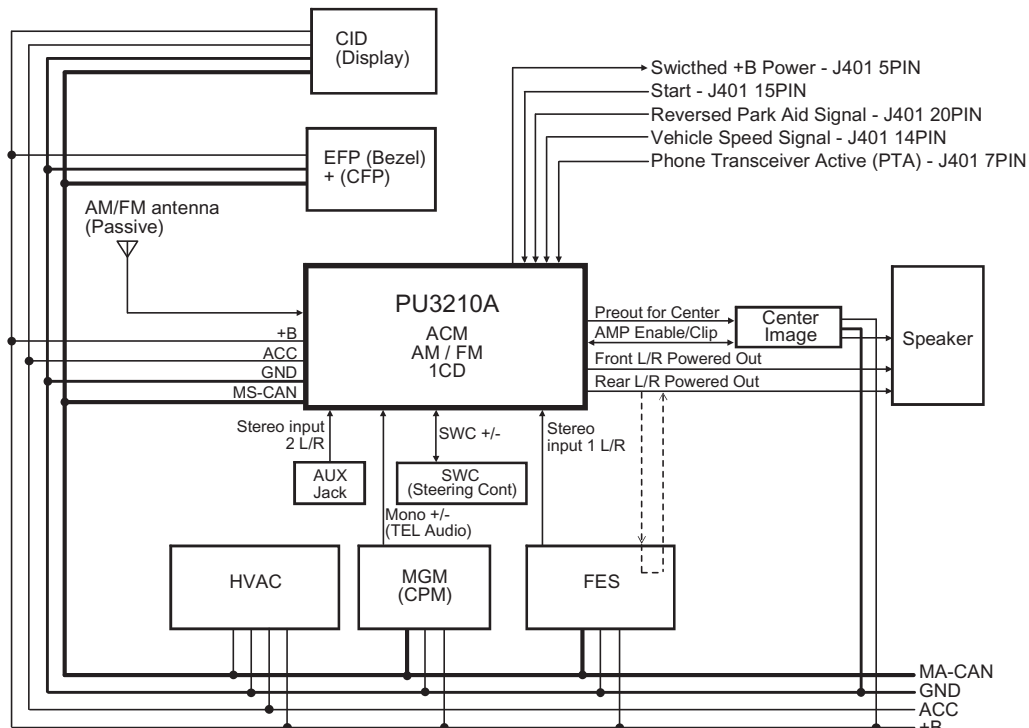
REF No.	PART No.	DESCRIPTION
C269	168-4732-78	0.047uF K
C270	165-2263-15	6.3V 22uF
C271	168-1052-78	16V 1uF K
C272	165-2263-15	6.3V 22uF
C273	168-1052-78	16V 1uF K
C274	165-4753-55	35V 4.7uF
C276	166-2211-50	220pF CH
C277	168-1042-78	16V 0.1uF K
C278	166-2211-50	220pF CH
C279	168-1052-78	16V 1uF K
C280	178-1055-79	1uF
C281	168-2722-55	2700pF K
C282	168-2722-55	2700pF K
C283	178-1055-79	1uF
C284	178-1055-79	1uF
C285	168-2722-55	2700pF K
C286	168-2722-55	2700pF K
C287	178-1055-79	1uF
C288	168-1542-58	0.15uF K
C289	168-1542-58	0.15uF K
C290	168-3322-55	3300pF K
C291	168-3322-55	3300pF K
C292	168-3322-55	3300pF K
C293	168-3322-55	3300pF K
C294	168-3322-55	3300pF K
C295	168-3322-55	3300pF K
C297	168-1032-55	0.01uF K
C300	042-0416-60	25V 10uF M TAN
C301	168-1045-56	25V 0.1uF Z
C302	166-6801-50	68pF CH
C303	168-1045-56	25V 0.1uF Z
C304	168-1032-55	0.01uF K
C305	168-1045-56	25V 0.1uF Z
C306	165-1053-65	50V 1uF
C307	168-1032-55	0.01uF K
C308	168-1045-56	25V 0.1uF Z
C312	168-1045-56	25V 0.1uF Z
C313	168-1532-55	0.015uF K
C314	168-1045-56	25V 0.1uF Z
C315	168-1522-55	1500pF K
C316	168-3322-55	3300pF K
C317	168-1042-78	16V 0.1uF K
C318	042-4023-91	6.3V 47uF
C320	168-1042-78	16V 0.1uF K
C321	042-4023-90	6.3V 100uF
C322	168-1042-78	16V 0.1uF K
C326	178-1055-79	1uF
C327	178-1055-79	1uF
C329	168-1532-55	0.015uF K
C330	042-4023-91	6.3V 47uF
C331	168-1042-78	16V 0.1uF K
C333	042-4023-90	6.3V 100uF
C334	178-1055-79	1uF
C335	168-3332-78	0.033uF K
C336	166-4701-50	47pF CH
C338	168-1045-56	25V 0.1uF Z
C339	168-6822-55	6800pF K
C347	168-3332-78	0.033uF K
C348	168-1045-56	25V 0.1uF Z
C349	168-1045-56	25V 0.1uF Z
C350	166-4711-50	470pF CH
C351	166-4711-50	470pF CH
C352	168-1042-78	16V 0.1uF K
C353	165-2263-15	6.3V 22uF
C354	168-1042-78	16V 0.1uF K
C355	168-1042-78	16V 0.1uF K

REF No.	PART No.	DESCRIPTION
C356	168-4732-78	0.047uF K
C357	168-4732-78	0.047uF K
C358	168-1045-56	25V 0.1uF Z
C359	166-1011-50	100pF CH
C360	168-2222-55	2200pF K
C361	168-1045-56	25V 0.1uF Z
C362	168-1045-56	25V 0.1uF Z
C363	166-1007-50	10pF CH
C364	168-1045-56	25V 0.1uF Z
C365	166-1007-50	10pF CH
C366	168-1045-56	25V 0.1uF Z
C367	168-1045-56	25V 0.1uF Z
C368	168-1045-56	25V 0.1uF Z
C369	168-1045-56	25V 0.1uF Z
C373	168-1045-56	25V 0.1uF Z
C375	168-5622-55	5600pF K
C378	168-1045-56	25V 0.1uF Z
C379	165-1073-35	16V 100uF
C380	168-1045-56	25V 0.1uF Z
C401	042-1767-90	16V 470uF
C402	178-1042-78	0.1uF
C403	165-1063-35	16V 10uF
C404	178-1042-78	0.1uF
C405	178-2222-78	2200pF
C406	168-1042-78	16V 0.1uF K
C407	165-1063-35	16V 10uF
C408	165-2263-35	16V 22uF
C409	168-1042-78	16V 0.1uF K
C410	168-1042-78	16V 0.1uF K
C411	178-1042-78	0.1uF
C412	168-1042-78	16V 0.1uF K
C413	168-1042-78	16V 0.1uF K
C414	042-1767-90	16V 470uF
C415	178-1042-78	0.1uF
C416	178-2222-78	2200pF
C417	178-2222-78	2200pF
C418	178-2222-78	2200pF
C419	178-2222-78	2200pF
C420	178-2222-78	2200pF
C421	178-2222-78	2200pF
C422	178-2222-78	2200pF
C423	178-2222-78	2200pF
C424	178-2222-78	2200pF
C429	168-1022-55	1000pF K
C430	168-1042-78	16V 0.1uF K
C435	168-3332-78	0.033uF K
C437	178-2222-78	2200pF
C438	178-2222-78	2200pF
C441	178-2222-78	2200pF
C442	178-2222-78	2200pF
C443	178-2222-78	2200pF
C444	176-1011-59	100pF SL
C445	176-1011-59	100pF SL
C446	178-2222-78	2200pF
C447	168-1045-56	25V 0.1uF Z
C448	165-2263-15	6.3V 22uF
C449	178-2222-78	2200pF
C450	178-2222-78	2200pF
C451	178-2222-78	2200pF
C452	178-2222-78	2200pF
C453	168-1042-78	16V 0.1uF K
C454	166-1011-50	100pF CH
C455	168-2245-79	0.22uF Z
C456	168-1042-78	16V 0.1uF K
C457	178-2222-78	2200pF
C458	178-1045-79	0.1uF

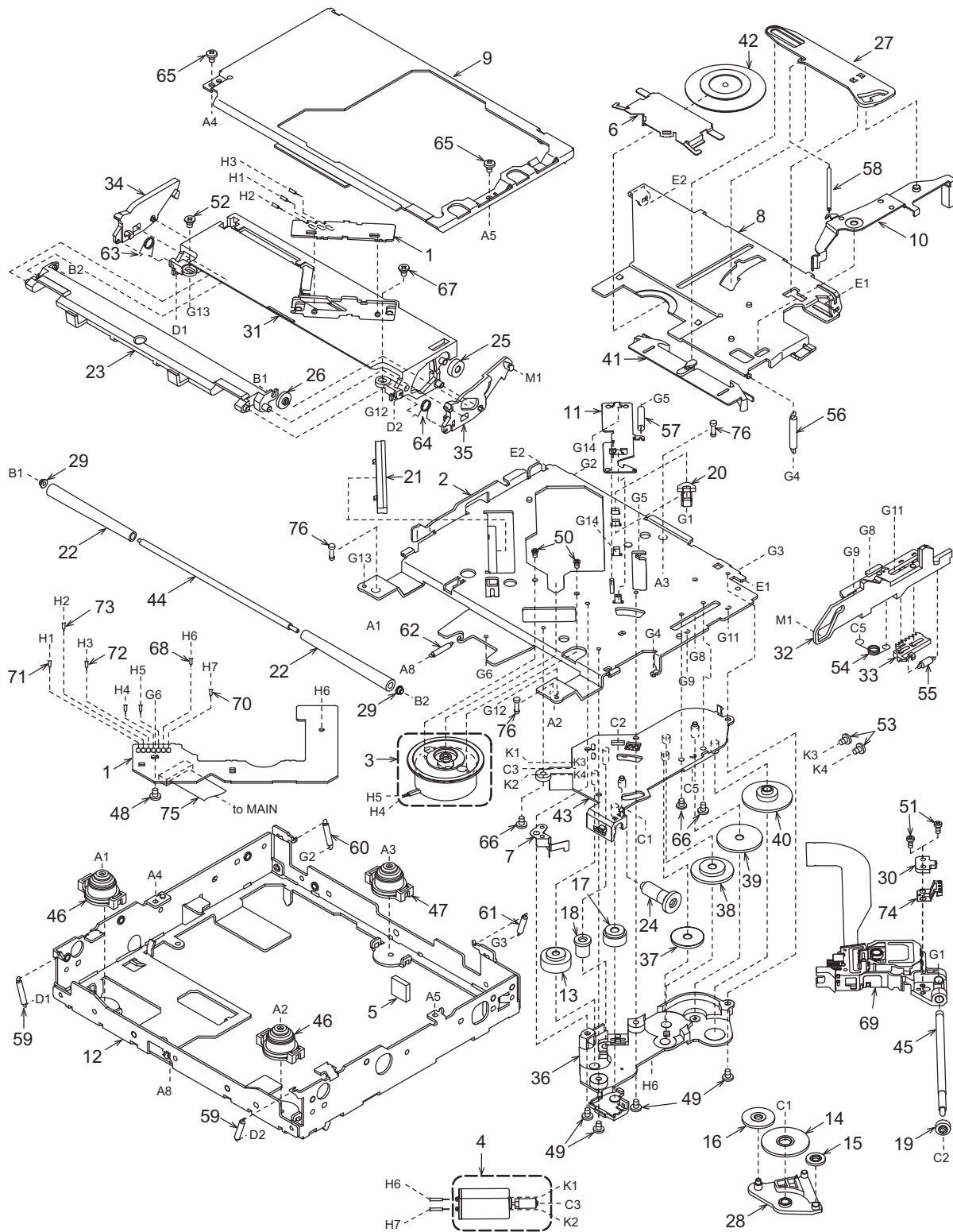
REF No.	PART No.	DESCRIPTION	REF No.	PART No.	DESCRIPTION	REF No.	PART No.	DESCRIPTION
C459	165-2263-35	16V 22uF	J301	074-1237-77	27P	R223	119-2201-15	1/10W 22 ohm
C460	165-2263-35	16V 22uF	J401	074-4032-24	24P	R224	119-1011-15	1/10W 100 ohm
C461	168-1042-78	16V 0.1uF K	J403	074-4032-16	16P	R225	119-1011-15	1/10W 100 ohm
C462	165-2263-35	16V 22uF	J601	076-6000-58	PLUG	R226	119-8221-15	1/10W 8.2k ohm
C463	168-1042-78	16V 0.1uF K	L113	010-2003-04	30uH	R228	119-1041-15	1/10W 100k ohm
C464	042-0423-97	16V 10uF	L200	010-3105-62	1k ohm/100MHz	R229	119-1041-15	1/10W 100k ohm
C499	178-2222-78	2200pF	L201	010-3105-62	1k ohm/100MHz	R230	032-0140-99	1/10W 39k ohm F
C503	165-2253-65	50V 2.2uF	L202	010-3105-62	1k ohm/100MHz	R231	032-0140-99	1/10W 39k ohm F
C505	165-2253-65	50V 2.2uF	L203	010-3105-62	1k ohm/100MHz	R232	032-0140-99	1/10W 39k ohm F
C507	165-2253-65	50V 2.2uF	L204	010-3105-62	1k ohm/100MHz	R233	032-0140-99	1/10W 39k ohm F
C509	165-2263-55	35V 22uF	L205	010-3105-62	1k ohm/100MHz	R236	032-0140-95	1/10W 20k ohm F
C510	043-0499-51	50V 0.1uF J	L206	010-3105-62	1k ohm/100MHz	R237	032-0140-95	1/10W 20k ohm F
C511	042-1717-00	16V 3300uF	L207	010-3105-62	1k ohm/100MHz	R238	032-0140-95	1/10W 20k ohm F
C515	168-2222-55	2200pF K	L208	010-3105-62	1k ohm/100MHz	R239	032-0140-95	1/10W 20k ohm F
C516	168-2222-55	2200pF K	L209	010-3105-62	1k ohm/100MHz	R240	119-2031-15	1/10W 20k ohm
C519	178-4742-78	0.47uF	L210	010-3105-62	1k ohm/100MHz	R241	119-2031-15	1/10W 20k ohm
C520	168-2222-55	2200pF K	L211	010-2198-51	0.22uH	R243	032-0140-89	1/10W 47k ohm F
C521	168-2222-55	2200pF K	L212	010-3105-62	1k ohm/100MHz	R244	119-1041-15	1/10W 100k ohm
C522	178-4742-78	0.47uF	L213	010-3105-62	1k ohm/100MHz	R245	119-1001-15	1/10W 10 ohm
C524	178-4742-78	0.47uF	L214	010-3104-54	600 ohm/100MHz	R246	032-0140-89	1/10W 47k ohm F
C525	168-1052-78	16V 1uF K	L215	010-3105-62	1k ohm/100MHz	R247	032-0140-89	1/10W 47k ohm F
C527	178-4742-78	0.47uF	L216	010-3105-62	1k ohm/100MHz	R249	119-1041-15	1/10W 100k ohm
C538	165-2253-65	50V 2.2uF	L217	010-3105-62	1k ohm/100MHz	R251	032-0140-89	1/10W 47k ohm F
C539	165-2253-65	50V 2.2uF	L218	010-3105-62	1k ohm/100MHz	R252	032-0140-62	1/10W 1k ohm F
C600	166-1501-50	15pF CH	L219	010-3105-62	1k ohm/100MHz	R253	032-0140-62	1/10W 1k ohm F
C604	165-4753-55	35V 4.7uF	L220	010-3105-62	1k ohm/100MHz	R254	032-0140-62	1/10W 1k ohm F
C605	165-4753-55	35V 4.7uF	L221	010-3105-62	1k ohm/100MHz	R255	032-0140-62	1/10W 1k ohm F
C607	168-1042-78	16V 0.1uF K	L222	010-3104-54	600 ohm/100MHz	R301	119-2231-15	1/10W 22k ohm
C608	042-4022-90	6.3V 1000uF	L223	010-3105-62	1k ohm/100MHz	R302	119-3321-15	1/10W 3.3k ohm
C609	042-4022-90	6.3V 1000uF	L301	010-3105-62	1k ohm/100MHz	R303	119-3331-15	1/10W 33k ohm
C610	178-1055-79	1uF	L302	010-3105-62	1k ohm/100MHz	R305	119-2231-15	1/10W 22k ohm
C611	168-1022-55	1000pF K	L303	010-3104-50	30 ohm/100MHz	R306	119-4731-15	1/10W 47k ohm
C612	168-1042-78	16V 0.1uF K	L304	010-3406-66	22uH J	R307	119-3341-15	1/10W 330k ohm
C613	168-1032-55	0.01uF K	L305	010-3105-69	80 ohm/100MHz	R309	119-2211-15	1/10W 220 ohm
C616	168-1042-78	16V 0.1uF K	L401	010-8049-00	145uH	R310	119-1001-15	1/10W 10 ohm
D301	001-1305-90	DAN217U-T106	L601	010-3105-62	1k ohm/100MHz	R311	119-5621-15	1/10W 5.6k ohm
D400	001-0516-90	MA111	L602	010-3105-62	1k ohm/100MHz	R312	119-3321-15	1/10W 3.3k ohm
D402	001-0592-00	RM4Z	Q201	125-7007-90	Si5441BDC-TI-E3	R313	119-1041-15	1/10W 100k ohm
D403	001-4315-50	MMBZ27VCLT1G	Q301	190-2060-00	2SA2060	R315	119-1041-15	1/10W 100k ohm
D404	001-0516-90	MA111	Q400	192-4081-00	2SC4081	R316	119-1041-15	1/10W 100k ohm
D405	001-0516-90	MA111	Q401	192-4081-00	2SC4081	R317	119-2211-15	1/10W 220 ohm
D406	001-1304-90	DAN202U	Q407	103-2394-00	2SD2394	R318	119-1011-15	1/10W 100 ohm
D407	001-4315-50	MMBZ27VCLT1G	Q409	125-9026-90	IMF29	R320	119-1041-15	1/10W 100k ohm
D408	001-0529-28	MA8051-L	Q411	125-9026-90	IMF29	R321	119-4731-15	1/10W 47k ohm
D414	001-0516-90	MA111	Q412	125-9017-92	UMD3N-TR	R323	119-1051-15	1/10W 1M ohm
D416	001-0516-90	MA111	Q418	125-9017-92	UMD3N-TR	R324	119-2221-15	1/10W 2.2k ohm
D418	001-0529-32	MA8056-M	Q421	190-1576-00	2SA1576A	R328	119-4731-15	1/10W 47k ohm
D419	001-4313-52	HZU7CZL	Q424	125-2042-90	DTC614TU-T106	R331	119-1021-15	1/10W 1k ohm
D420	001-0516-90	MA111	Q502	125-9017-92	UMD3N-TR	R332	119-1031-15	1/10W 10k ohm
D422	001-0516-90	MA111	Q504	125-2027-91	DTC114EUA	R333	119-1041-15	1/10W 100k ohm
D423	001-0516-90	MA111	R113	119-1001-15	1/10W 10 ohm	R334	119-2731-15	1/10W 27k ohm
D501	001-0529-21	MA8039-H	R114	119-1001-15	1/10W 10 ohm	R335	119-2731-15	1/10W 27k ohm
D502	001-0516-90	MA111	R119	119-1011-15	1/10W 100 ohm	R336	119-4731-15	1/10W 47k ohm
D505	001-1304-90	DAN202U	R120	119-1011-15	1/10W 100 ohm	R337	119-1531-15	1/10W 15k ohm
D603	001-0516-90	MA111	R121	119-2741-15	1/10W 270k ohm	R338	119-8231-15	1/10W 82k ohm
IC201	051-6706-60	SAF7730/N317	R133	119-6821-15	1/10W 6.8k ohm	R339	119-8231-15	1/10W 82k ohm
IC301	051-3543-90	BD33KA5WFP-E2	R134	119-6821-15	1/10W 6.8k ohm	R340	119-2731-15	1/10W 27k ohm
IC302	051-3511-90	BH15PB1WHFV-TR	R135	119-1011-15	1/10W 100 ohm	R341	119-2731-15	1/10W 27k ohm
IC303	051-6733-10	TC94A70FG-005	R136	119-1011-15	1/10W 100 ohm	R342	117-6811-15	1/10W 680 ohm
IC304	051-3511-90	BH15PB1WHFV-TR	R137	119-1011-15	1/10W 100 ohm	R400	116-2011-15	1/4W 200 ohm
IC305	051-6079-80	BA5830FM-E2	R138	119-1011-15	1/10W 100 ohm	R401	119-1041-15	1/10W 100k ohm
IC401	051-3510-01	TDA3681	R139	119-1011-15	1/10W 100 ohm	R402	119-1031-15	1/10W 10k ohm
IC402	051-3402-90	NJM2406F	R140	119-1041-15	1/10W 100k ohm	R403	119-9121-15	1/10W 9.1k ohm
IC403	051-3512-90	BH33PB1WHFV	R201	119-1031-15	1/10W 10k ohm	R404	119-1021-15	1/10W 1k ohm
IC404	051-3344-90	BD3930FP-E2	R205	119-1031-15	1/10W 10k ohm	R405	119-1021-15	1/10W 1k ohm
IC405	051-3218-90	TA76431F	R207	119-1031-15	1/10W 10k ohm	R406	119-1021-15	1/10W 1k ohm
IC407	051-6653-80	SN65HVD1040QDR Q1	R211	119-1031-15	1/10W 10k ohm	R407	119-1021-15	1/10W 1k ohm
IC408	051-5459-90	BD4836G-TR	R213	119-1011-15	1/10W 100 ohm	R408	119-1041-15	1/10W 100k ohm
IC501	051-2068-00	TDA7562B	R214	119-1021-15	1/10W 1k ohm	R409	032-0140-56	1/10W 12k ohm F
IC602	-----	uPD70F3351GC-8E A-A	R215	119-1001-15	1/10W 10 ohm	R410	032-0140-80	1/10W 18k ohm F
IC603	051-5423-08	S-80929CLMC-G6Z	R217	119-1001-15	1/10W 10 ohm	R411	119-1231-15	1/10W 12k ohm
IC604	-----	BR24S16FVT-WTR	R219	119-4731-15	1/10W 47k ohm	R412	119-3321-15	1/10W 3.3k ohm
			R220	119-1241-15	1/10W 120k ohm	R413	116-5691-15	1/4W 5.6 ohm
			R222	119-4731-15	1/10W 47k ohm	R414	119-9121-15	1/10W 9.1k ohm

REF No.	PART No.	DESCRIPTION	REF No.	PART No.	DESCRIPTION	REF No.	PART No.	DESCRIPTION
R415	119-1031-15	1/10W 10k ohm	R507	119-1021-15	1/10W 1k ohm	R627	119-3331-15	1/10W 33k ohm
R417	119-1031-15	1/10W 10k ohm	R509	119-1021-15	1/10W 1k ohm	R629	119-3331-15	1/10W 33k ohm
R418	117-2721-15	1/8W 2.7k ohm	R512	119-8221-15	1/10W 8.2k ohm	R630	119-3331-15	1/10W 33k ohm
R419	119-1521-15	1/10W 1.5k ohm	R513	119-4721-15	1/10W 4.7k ohm	R635	119-3321-15	1/10W 3.3k ohm
R420	119-4721-15	1/10W 4.7k ohm	R514	119-2231-15	1/10W 22k ohm	R639	119-1241-15	1/10W 120k ohm
R425	116-1221-15	1/4W 1.2k ohm	R515	119-8221-15	1/10W 8.2k ohm	R642	119-1041-15	1/10W 100k ohm
R426	116-1221-15	1/4W 1.2k ohm	R516	119-8221-15	1/10W 8.2k ohm	R643	119-1031-15	1/10W 10k ohm
R427	116-1221-15	1/4W 1.2k ohm	R517	119-3331-15	1/10W 33k ohm	R644	119-1241-15	1/10W 120k ohm
R428	116-1221-15	1/4W 1.2k ohm	R518	119-3331-15	1/10W 33k ohm	R646	119-1011-15	1/10W 100 ohm
R430	119-1031-15	1/10W 10k ohm	R519	119-3331-15	1/10W 33k ohm	R647	119-1011-15	1/10W 100 ohm
R432	119-2231-15	1/10W 22k ohm	R520	119-3331-15	1/10W 33k ohm	R648	119-3331-15	1/10W 33k ohm
R448	119-0000-05	1/10W 0 ohm JW	R521	119-1021-15	1/10W 1k ohm	R650	119-3331-15	1/10W 33k ohm
R449	119-1031-15	1/10W 10k ohm	R523	119-1021-15	1/10W 1k ohm	R652	119-6831-15	1/10W 68k ohm
R451	119-1021-15	1/10W 1k ohm	R529	119-1031-15	1/10W 10k ohm	R653	119-3331-15	1/10W 33k ohm
R456	116-2721-15	1/4W 2.7k ohm	R530	119-1021-15	1/10W 1k ohm	R654	119-3331-15	1/10W 33k ohm
R457	119-2241-15	1/10W 220k ohm	R571	119-1011-15	1/10W 100 ohm	R655	119-1231-15	1/10W 12k ohm
R458	119-1021-15	1/10W 1k ohm	R572	119-1011-15	1/10W 100 ohm	R656	119-1031-15	1/10W 10k ohm
R459	119-2231-15	1/10W 22k ohm	R601	119-6831-15	1/10W 68k ohm	R657	119-1031-15	1/10W 10k ohm
R460	119-1041-15	1/10W 100k ohm	R602	119-6831-15	1/10W 68k ohm	R658	119-1041-15	1/10W 100k ohm
R461	119-1031-15	1/10W 10k ohm	R603	119-1011-15	1/10W 100 ohm	R660	032-0148-52	1/16W 24k ohm D
R463	119-1041-15	1/10W 100k ohm	R604	119-3331-15	1/10W 33k ohm	R661	032-0148-52	1/16W 24k ohm D
R464	119-1041-15	1/10W 100k ohm	R605	119-3331-15	1/10W 33k ohm	SUP101	060-0122-91	DSP-141N-S00B
R465	119-1041-15	1/10W 100k ohm	R606	119-3331-15	1/10W 33k ohm	TC601	004-1589-52	TZB4R200AA10R00
R466	119-5621-15	1/10W 5.6k ohm	R607	119-3331-15	1/10W 33k ohm	TM101	073-0762-90	TERMINAL
R467	119-1831-15	1/10W 18k ohm	R608	119-3331-15	1/10W 33k ohm	TM102	073-0768-90	TERMINAL
R468	119-1041-15	1/10W 100k ohm	R611	119-4731-15	1/10W 47k ohm	TM301	073-0762-90	TERMINAL
R469	119-1041-15	1/10W 100k ohm	R615	119-3331-15	1/10W 33k ohm	TM501	073-0768-90	TERMINAL
R470	119-1041-15	1/10W 100k ohm	R616	119-3331-15	1/10W 33k ohm	X201	061-3537-90	41.6MHz
R471	119-1011-15	1/10W 100 ohm	R617	119-3331-15	1/10W 33k ohm	X301	061-3534-90	16.92MHz
R472	119-1231-15	1/10W 12k ohm	R618	119-3331-15	1/10W 33k ohm	X601	061-3561-90	AT-41CD2 3.997696 MHz
R473	119-4721-15	1/10W 4.7k ohm	R622	119-1011-15	1/10W 100 ohm	PWB	039-3389-02	PWB (WITHOUT COMPONENT)
R475	116-2011-15	1/4W 200 ohm	R623	119-1031-15	1/10W 10k ohm			
R476	116-2011-15	1/4W 200 ohm	R624	119-1011-15	1/10W 100 ohm			
R477	116-2011-15	1/4W 200 ohm	R625	119-1031-15	1/10W 10k ohm			
R503	119-8221-15	1/10W 8.2k ohm	R626	119-0000-05	1/10W 0 ohm JW			

OUTLINE OF SYSTEM



EXPLODED VIEW/PARTS LIST



NO.	PART NO.	DESCRIPTION	Q'TY	NO.	PART NO.	DESCRIPTION	Q'TY
1	-----	SENSOR PWB	1	39	621-1750-20	POWER GEAR C	1
2	-----	DRIVE PLATE	1	40	621-1751-20	POWER GEAR D	1
3	SMA-182-100	SPINDLE MOTOR-ASSY	1	41	621-1752-20	DISC STOPPER	1
4	SMA-197-100	SLED MOTOR-ASSY	1	42	621-1753-20	CLAMPER RING	1
5	345-5476-20	CUSHION RUBBER	1	43	621-1754-20	GEAR BASE	1
6	620-1023-23	CLAMPER PLATE	1	44	622-1571-21	ROLLER SHAFT	1
7	620-1026-21	SPRING PLATE	1	45	624-0020-00	LEAD SCREW	1
8	620-1596-23	CLAMPER LINK	1	46	629-0086-20	DAMPER F	2
9	620-1862-20	UPPER CHASSIS	1	47	629-0087-20	DAMPER R	1
10	620-1752-20	SENSOR ARM	1	48	716-1507-01	SCREW(M2x3)	1
11	620-1753-20	ID-LOCK PLATE	1	49	716-1670-01	SCREW(M2x4)	4
12	620-1791-20	LOWER CHASSIS	1	50	716-1733-01	SCREW(M1.7x2.3)	2
13	621-0608-21	SECOND GEAR	1	51	716-3469-01	SCREW(1.7x4)	2
14	621-0609-20	BASE GEAR	1	52	716-3473-01	SCREW(M2x3)	1
15	621-0610-20	IDLE GEAR A	1	53	716-3551-00	SCREW(M1.4x2.5)	2
16	621-0611-20	IDLE GEAR B	1	54	750-7865-20	SHIFT SPRING	1
17	621-0612-21	ROLLER GEAR A	1	55	750-7866-20	RACK SPRING	1
18	621-0620-20	THREAD GEAR A	1	56	750-7867-20	CLAMPER SPRING	1
19	621-0621-20	THREAD GEAR B	1	57	750-7868-20	ID-LOCK SPRING	1
20	621-0623-23	LS-HOLDER	1	58	750-7869-20	SENSOR SPRING	1
21	621-0624-22	GUIDE RAIL	1	59	750-7870-20	DR-SPRING F	2
22	621-0711-21	LOADING ROLLER	2	60	750-7871-20	DR-SPRING RA	1
23	621-0718-21	ROLLER GUIDE	1	61	750-7872-20	DR-SPRING RB	1
24	621-0719-20	ROLLER GEAR	1	62	750-7873-20	DR-SPRING C	1
25	621-0720-20	ROLLER GEAR C	1	63	750-6797-20	ROLLER SPRING L	1
26	621-0721-20	ROLLER GEAR D	1	64	750-6798-20	ROLLER SPRING R	1
27	621-0728-20	STOPPER LINK	1	65	714-2003-8B	SCREW(M2x3)	2
28	621-1719-20	IDLE CASE	1	66	780-2025-00	SCREW(M2x2.5)	3
29	621-1726-20	ROLLER SLEEVE	2	67	781-1730-00	SCREW(M1.7x3)	1
30	621-1729-20	SH-BASE	1	68	803-4906-60	VINYL-COAT-WIRE(ORG)	1
31	621-1742-20	UPPER GUIDE	1	69	969-0071-30	PICKUP-ASSY	1
32	621-1743-20	SHIFT LEVER	1	70	816-2590-00	LEAD(GRN)	1
33	621-1744-20	RACK	1	71	816-2591-00	LEAD(YEL)	1
34	621-1745-20	LOCK ARM L	1	72	816-2592-00	LEAD(BLUE)	1
35	621-1746-20	LOCK ARM R	1	73	816-2593-00	LEAD(PUR)	1
36	621-1747-20	GEAR COVER	1	74	966-1722-20	SH-RACK-ASSY	1
37	621-1748-20	POWER GEAR A	1	75	816-2542-01	FLAT WIRE	1
38	621-1749-20	POWER GEAR B	1	76	-----	DAMPER PIN	3

ELECTRICAL PARTS LIST

Sensor PWB(BM1) section

REF No.	PART No.	DESCRIPTION	REF No.	PART No.	DESCRIPTION	REF No.	PART No.	DESCRIPTION
D1	001-7058-90	AN1105W-RR	Q1	060-4015-91	PS1192HB	S2	013-7413-50	LIMIT
D2	001-7058-90	AN1105W-RR	Q2	060-4015-91	PS1192HB	PWB	039-2675-20	PWB(WITHOUT COMPONENT)
J1	074-1138-60	10P	S1	013-7414-50	CHUCKING			