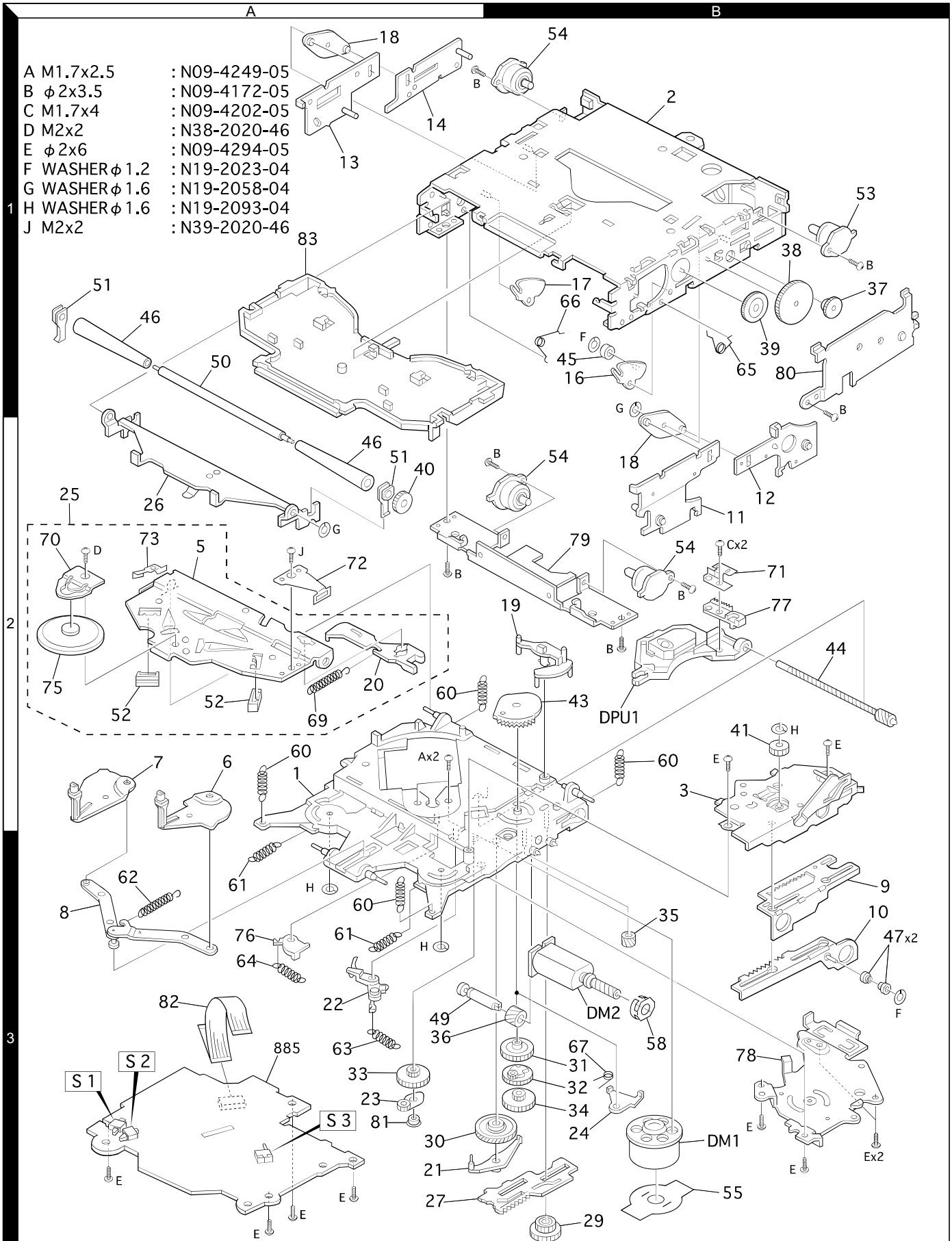
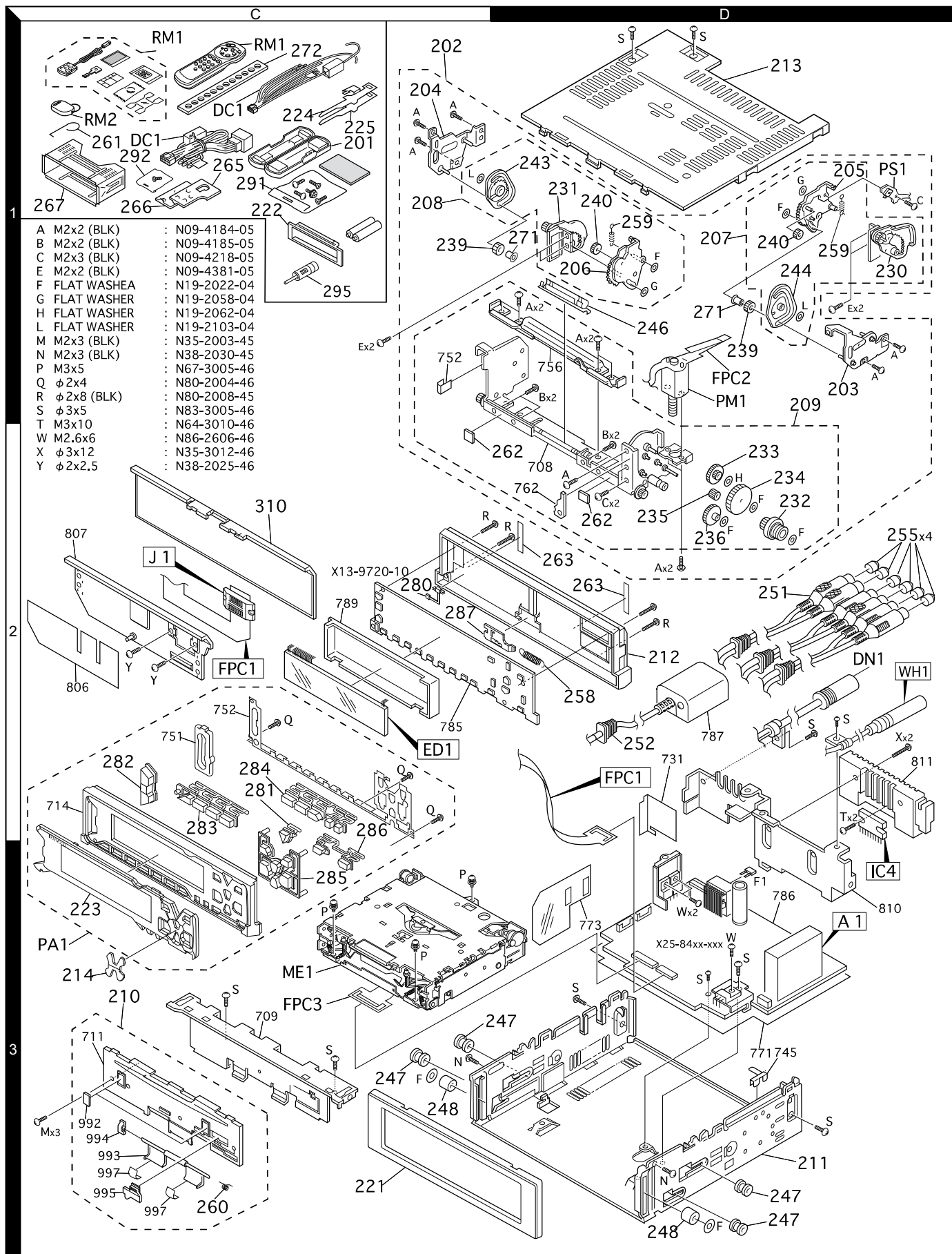


EXPLODED VIEW (CD MECHANISM)



EXPLODED VIEW (UNIT)



Parts with exploded numbers larger than 700 are not supplied.

PARTS LIST

* New Parts

Parts without Parts No. are not supplied.

Les articles non mentionnes dans le Parts No. ne sont pas fournis.

Teile ohne Parts No. werden nicht geliefert.

KDC-X915/X815/PS9016R/PS9080R

Ref.No.	A d d	N e w	Parts No.	Description	Dest inati on	Ref.No.	A d d	N e w	Parts No.	Description	Dest inati on
KDC-X915/X815/PS9016R/PS9080R											
201	1C		A02-1489-03	PLASTIC CABINET ASSY		240	1D		D13-1313-04	GEAR	
202	1C		A10-4671-02	CHASSIS ASSY		243	1D		D13-1456-13	GEAR ASSY	
203	1D		A10-4315-04	CHASSIS CALKING ASSY		244	1D		D13-1455-13	GEAR ASSY	
204	1C		A10-4317-04	CHASSIS CALKING ASSY		246	1D		D14-0678-04	ROLLER ASSY	
205	1D		A10-4319-04	CHASSIS CALKING ASSY		247	3D		D14-0723-04	ROLLER	
206	1D		A10-4321-04	CHASSIS CALKING ASSY		248	3D		D14-0716-14	ROLLER	
207	1D		A10-4674-02	CHASSIS ASSY		251	2D		E30-4796-05	CORD WITH PINPLUG	
208	1D		A10-4676-02	CHASSIS ASSY		252	2D		E30-4706-05	CORD WITH CONNECTOR	
209	1D		A10-4534-23	CHASSIS ASSY		DC1	1C		E30-4779-05	DC CORD	K1
210	3C		A22-2296-43	SUB PANEL ASSY		DC1	1C		E30-4781-05	DC CORD	M1
						DC1	1C		E30-4782-05	DC CORD	K
211	3D		A10-4666-03	CHASSIS ASSY	WO/E	DC1	1C		E30-4788-05	DC CORD	E
211	3D		A10-4667-03	CHASSIS ASSY	E	DN1	2D		E30-4802-05	CORD WITH DIN CONNECTOR	
212	2D		A46-1652-01	REAR COVER		255	2D		F29-0049-05	INSULATING COVER	
213	1D		A52-0742-12	TOP PLATE		F1	2D		F52-0004-05	FUSE(MINI BLADE TYPE)	K
214	3C		A21-4011-03	DRESSING PANEL		F1	2D		F52-0006-05	FUSE(MINI BLADE TYPE)	K1M1
PA1	2C	*	A64-1864-02	PANEL ASSY	E	F1	2D		F52-0006-05	FUSE(MINI BLADE TYPE)	E
PA1	2C	*	A64-1867-02	PANEL ASSY	K						
PA1	2C	*	A64-1868-02	PANEL ASSY	K1	258	2D		G01-2984-04	EXTENSION SPRING	
PA1	2C	*	A64-1873-02	PANEL ASSY	M1	259	1D		G01-2818-24	EXTENSION SPRING	
RM1	1C		A70-0864-05	REMOTE CONTROLLER ASSY	E	260	3C		G01-2920-14	TORSION COIL SPRING	
RM1	1C		A70-0883-05	REMOTE CONTROLLER ASSY	M1	261	1C		G01-2924-04	TORSION COIL SPRING	
RM1	1C		A70-0894-05	REMOTE CONTROLLER ASSY	KK1	262	1D		G11-1850-04	CUSHION	
RM2	1C		A70-0886-15	REMOTE CONTROLLER ASSY	M1E	263	2D		G16-1147-04	SHEET	
221	3C		B07-2139-03	ESCUTCHEON ASSY	M1	-			H10-4700-02	POLYSTYRENE FOAMED FIXTURE	
221	3C		B07-2146-03	ESCUTCHEON ASSY	KK1E	-			H21-1123-04	PROTECTION SHEET	
222	1C		B07-2183-02	ESCUTCHEON		-			H25-0329-04	PROTECTION BAG (280X450X0.03)	
223	2C	*	B10-3107-01	FRONT GLASS	K	-			H25-0337-04	PROTECTION BAG (180X300X0.03)	
223	2C	*	B10-3108-01	FRONT GLASS	K1	-			H25-1108-04	PROTECTION BAG (100X300X0.03)	
223	2C	*	B10-3113-01	FRONT GLASS	M1	-	*		H54-1652-03	ITEM CARTON CASE	K
223	2C	*	B10-3103-01	FRONT GLASS	E	-	*		H54-1653-03	ITEM CARTON CASE	K1
-			B46-0100-50	WARRANTY CARD		-	*		H54-1658-03	ITEM CARTON CASE	M1
-			B46-0606-04	ID CARD	KK1	-	*		H54-1662-03	ITEM CARTON CASE	E
-			B46-0631-03	USER CARD	KK1						
-			B46-0632-04	ID CARD	M1E	265	1C		J19-4875-04	BRACKET	WO/E
-			B58-1278-04	CAUTION CARD		266	1C		J19-4876-04	BRACKET	WO/E
-			B58-1309-04	CAUTION CARD	M1	267	1C		J21-9491-03	MOUNTING HARDWARE ASSY	
-			B58-1321-14	CAUTION CARD	M1	271	1D		J31-1035-24	COLLAR	
-			B64-1599-00	INSTRUCTION MANUAL E,T	M1	272	1C		J54-0606-04	STAY	
-			B64-1601-00	INSTRUCTION MANUAL E	KK1	FPC2	1D		J84-0062-23	FLEXIBLE PRINTED WIRING BOARD	
-			B64-1602-00	INSTRUCTION MANUAL F,S	KK1	FPC3	3C		J84-0066-13	FLEXIBLE PRINTED WIRING BOARD	
-			B64-1605-00	INSTRUCTION MANUAL E	E	280	2C		K24-3540-03	KNOB OPEN	
-			B64-1606-00	INSTRUCTION MANUAL F,G,D	E	281	2C		K24-3541-04	KNOB SRC	
-			B64-1607-00	INSTRUCTION MANUAL I,S,P	E	282	2C		K25-1095-03	KNOB VOL	
224	1C		D10-4301-14	LEVER		283	2C		K25-1096-03	KNOB 1-3	
225	1C		D10-4302-14	LEVER		284	2C		K25-1097-03	KNOB 4-6	
230	1D		D10-4448-03	ARM ASSY		285	2C		K25-1098-03	KNOB FM/AM	
231	1D		D10-4449-04	ARM ASSY		286	2C		K25-1099-03	KNOB CLK	
232	2D		D13-1302-64	GEAR ASSY		287	2D		K29-7010-04	KNOB ASSY LOCK	
233	2D		D13-1306-24	GEAR		291	1C		N99-1652-05	SCREW SET	WO/E
234	2D		D13-1403-03	GEAR		292	1C		N99-1683-05	SCREW SET	
235	2D		D13-1404-04	GEAR		A	1D		N09-4184-05	MACHINE SCREW (M2X2)	
236	2D		D13-1453-14	GEAR ASSY		B	1D		N09-4185-05	MACHINE SCREW (M2X2)	
239	1D		D13-1312-34	GEAR		C	1D		N09-4218-05	MACHINE SCREW (M2X3)	

K: KDC-X915 K1: KDC-X815 M1: KDC-PS9016R E: KDC-PS9080R

⚠ indicates safety critical components.

PARTS LIST

* New Parts

Parts without Parts No. are not supplied.

Les articles non mentionnes dans le Parts No. ne sont pas fournis.

Teile ohne Parts No. werden nicht geliefert.

KDC-X915/X815/PS9016R/PS9080R

SWITCH UNIT (X13-971X-XX)

SUB CIRCUIT (X13-978X-XX)

ELECTRIC UNIT (X25-84XX-XX)

Ref.No.	A d d	N e w	Parts No.	Description	Dest inati on
D	1D		N09-4340-05	MACHINE SCREW (M2X2.)	
E	1D		N09-4381-05	MACHINE SCREW (M2X2)	
F	2D		N19-2022-04	FLAT WASHER	
G	2D		N19-2058-04	FLAT WASHER	
H	1D		N19-2062-04	FLAT WASHER	
J	1D		N19-2085-04	FLAT WASHER	
K	1D		N19-2095-04	FLAT WASHER	
L	1D		N19-2103-04	FLAT WASHER	
M	3C		N35-2003-45	BINDING HEAD MACHINE SCREW	
N	3C		N38-2030-45	PAN HEAD MACHIN SCREW	
P	3C		N67-3005-46	PAN HEAD SEMS SCREW	
Q	2C		N80-2004-46	PAN HEAD TAPTITE SCREW	
R	2C		N80-2008-45	PAN HEAD TAPTITE SCREW	
S	1D		N83-3005-46	PAN HEAD TAPTITE SCREW	
PS1	1D		S68-0829-05	PUSH SWITCH	
PM1	1D		T42-0752-34	MOTOR ASSY	
295	1C		T90-0523-05	ANTENNA ADAPTOR	E
ME1	3C		X92-3710-00	MECHANISM ASSY	

SWITCH UNIT (X13-971X-XX)

D7 ,8			B30-1562-05	LED	
C1			CK73FB1H103K	CHIP C 0.010UF K	
C2			C92-0628-05	CHIP-TAN 10UF 10WV	
C3 ,4			CK73EB1C225K	CHIP C 2.2UF K	
C5			CK73FB1H103K	CHIP C 0.010UF K	
C6			CK73EB1C225K	CHIP C 2.2UF K	
C8			CK73FB1H103K	CHIP C 0.010UF K	
CN1			E59-0833-05	RECTANGULAR PLUG	
L1			L92-0302-05	CHIP FERRITE	
L2			L40-1015-34	SMALL FIXED INDUCTOR	
L3 ,4			L33-0385-05	SMALL FIXED INDUCTOR	
X1			L78-0683-05	RESONATOR	
CP1			R90-0714-05	MULTI-COMP 10K X4	
CP2 ,3			R90-0724-05	MULTI-COMP 1K X4	
CP4			R90-1022-05	MULTI-COMP 470 X2	
R1 ,2			RK73FB2A102J	CHIP R 1.0K J 1/10W	
R3 -5			RK73FB2A103J	CHIP R 10K J 1/10W	
R6 ,7			RK73FB2A274J	CHIP R 270K J 1/10W	
R8			RK73FB2A153J	CHIP R 15K J 1/10W	
R9			RK73FB2A101J	CHIP R 100 J 1/10W	
R10			RK73FB2A100J	CHIP R 10 J 1/10W	
R11			RK73FB2A823J	CHIP R 82K J 1/10W	
R12			RK73FB2A102J	CHIP R 1.0K J 1/10W	
R13 ,14			RK73FB2A472J	CHIP R 4.7K J 1/10W	
R15 ,16			RK73FB2A473J	CHIP R 47K J 1/10W	
R17			RK73FB2A102J	CHIP R 1.0K J 1/10W	
R18			R92-1215-05	CHIP R 470 J 1/2W	
R19			R92-2023-05	CHIP R 820 J 1/2W	
R20			RK73FB2A222J	CHIP R 2.2K J 1/10W	
R21			RK73FB2A102J	CHIP R 1.0K J 1/10W	
R22			RK73FB2A473J	CHIP R 47K J 1/10W	

Ref.No.	A d d	N e w	Parts No.	Description	Dest inati on
R23			RK73EB2B330J	CHIP R 33 J 1/8W	
R24			RK73FB2A222J	CHIP R 2.2K J 1/10W	
R25			RK73FB2A512J	CHIP R 5.1K J 1/10W	
R30			RK73FB2A102J	CHIP R 1.0K J 1/10W	
R31			RK73FB2A103J	CHIP R 10K J 1/10W	
R33			RK73FB2A223J	CHIP R 22K J 1/10W	
R34			RK73FB2A222J	CHIP R 2.2K J 1/10W	
R35			RK73FB2A2R2J	CHIP R 2.2 J 1/10W	
S1 -13			S70-0856-05	TACT SWITCH	
S14			S70-0857-05	TACT SWITCH	
S15 -18			S70-0860-05	TACT SWITCH	
S19 -21			S70-0851-05	TACT SWITCH	
S22			S68-0822-05	PUSH SWITCH	
S23			S70-0864-05	TACT SWITCH	
D1 ,2			DA227	DIODE	
D3			MA3056-M	ZENER DIODE	
D4 ,5			MA3062WA	ZENER DIODE	
ED1	2C		CN1914M	FLUORESCENT INDICATOR TUBE	
IC1			UPD784215GC155	MI-COM IC	
IC2			BA3830F	ANALOGUE IC	
IC3			RS-171	ANALOGUE IC	
Q1			DTA114YK	DIGITAL TRANSISTOR	
Q1			UN2114	DIGITAL TRANSISTOR	
Q2			DTA144EK	DIGITAL TRANSISTOR	
Q2			UN2113	DIGITAL TRANSISTOR	
Q3			DTC114EK	DIGITAL TRANSISTOR	
Q3			UN2211	DIGITAL TRANSISTOR	
Q5			DTC114EK	DIGITAL TRANSISTOR	
Q5			UN2211	DIGITAL TRANSISTOR	
Q6 ,7			2SC2412K	TRANSISTOR	
Q6 ,7			2SD601A	TRANSISTOR	
Q8			DTA124EK	DIGITAL TRANSISTOR	
Q8			KRA103S	TRANSISTOR	
Q8			UN2112	DIGITAL TRANSISTOR	

SUB CIRCUIT (X13-978X-XX)

310	2C	*	B03-3056-12	DRESSING PLATE	KK1E
310	2C		B03-3057-02	DRESSING PLATE	M1
J1			E58-0895-05	RECTANGULAR RECEPTACLE	
FPC1	2C		J84-0106-02	FLEXIBLE PRINTED WIRING BOARD	
Y	2C		N38-2025-46	PAN HEAD MACHIN SCREW	

ELECTRIC UNIT (X25-84XX-XX)

C1			C90-2822-05	ELECTRO 3900UF 16WV	K1M1E
C1			C90-2865-05	ELECTRO 2200UF 16WV	K
C2			CK73FB1H103K	CHIP C 0.010UF K	
C3			C90-2926-05	ELECTRO 220UF 16WV	
C4			CK73FB1H103K	CHIP C 0.010UF K	
C5			C90-2594-05	ELECTRO 10UF 10WV	
C6			CE04CW0J101M	ELECTRO 100UF 6.3WV	
C7			CK73EB1C105K	CHIP C 1.0UF K	
C8			CE04CW1A221M	ELECTRO 220UF 10WV	
C10			CE04CW1A101M	ELECTRO 100UF 10WV	

K: KDC-X915 K1: KDC-X815 M1: KDC-PS9016R E: KDC-PS9080R

▲ indicates safety critical components.

PARTS LIST

* New Parts

Parts without Parts No. are not supplied.

Les articles non mentionnes dans le Parts No. ne sont pas fournis.

Teile ohne Parts No. werden nicht geliefert.

ELECTRIC UNIT (X25-84XX-XX)

Ref.No.	A d d	N e w	Parts No.	Description	Dest inati on	Ref.No.	A d d	N e w	Parts No.	Description	Dest inati on
C12			CK73FB1H103K	CHIP C 0.010UF K	M1	C100			C90-2608-05	ELECTRO 1.0UF 50WV	K1M1E
C13			CK73FB1H223K	CHIP C 0.022UF K		C101			CE04CW1A101M	ELECTRO 100UF 10WV	K1M1E
C14			C90-2608-05	ELECTRO 1.0UF 50WV		C102			C90-2608-05	ELECTRO 1.0UF 50WV	K1M1E
C15			C90-2595-05	ELECTRO 4.7UF 16WV		C103,104			CE04CW1C220M	ELECTRO 22UF 16WV	
C16 ,17			CK73EB1C225K	CHIP C 2.2UF K		C105,106			CC73FCH1H820J	CHIP C 82PF J	K
C18			C90-2962-05	ELECTRO 100UF 16WV		C107,108			C90-2536-05	ELECTRO 10UF 16WV	K
C19 ,20			CK73EB1C225K	CHIP C 2.2UF K		C107,108			C90-2597-05	ELECTRO 10UF 16WV	K1M1E
C21			CE04CW1C220M	ELECTRO 22UF 16WV		C110			CK73FB1E473K	CHIP C 0.047UF K	
C22			CK73GB1E223K	CHIP C 0.022UF K		C111			CE04CWOJ470M	ELECTRO 47UF 6.3WV	
C23			CK73FB1H103K	CHIP C 0.010UF K		C112,113			C90-2606-05	ELECTRO 0.47UF 50WV	
C24			C90-2595-05	ELECTRO 4.7UF 16WV		C115,116			CK73FB1C224K	CHIP C 0.22UF K	
C25 ,26			CK73FB1E473K	CHIP C 0.047UF K		C117			C90-2594-05	ELECTRO 10UF 10WV	
C27			C90-2598-05	ELECTRO 3.3UF 25WV		C118			CK73FB1H103K	CHIP C 0.010UF K	
C28			CK73FB1E683K	CHIP C 0.068UF K		C119			C90-2594-05	ELECTRO 10UF 10WV	
C29			C90-2602-05	ELECTRO 0.10UF 50WV		C120,121			CC73FCH1H100D	CHIP C 10PF D	
C30			CK73FB1H102K	CHIP C 1000PF K		C122			CC73FCH1H271J	CHIP C 270PF J	
C31 ,32			CK73FB1H103K	CHIP C 0.010UF K		C123-128			CC73FSL1H102J	CHIP C 1000PF J	
C33			CE04CW0J470M	ELECTRO 47UF 6.3WV		C130			C90-2594-05	ELECTRO 10UF 10WV	M1E
C34			CK73FB1H103K	CHIP C 0.010UF K		C131			CK73GB1H471K	CHIP C 470PF K	M1E
C35			CC73FCH1H240J	CHIP C 24PF J		C132			CC73FCH1H121J	CHIP C 120PF J	M1E
C36			CC73FCH1H270J	CHIP C 27PF J		C133			CC73FCH1H060D	CHIP C 6.0PF D	M1E
C37			CK73EB1C105K	CHIP C 1.0UF K		C134			CC73FSL1H122J	CHIP C 1200PF J	M1E
C38			CK73FB1H102K	CHIP C 1000PF K	M1E	C135			CK73GB1H122K	CHIP C 1200PF K	M1E
C38			CK73FB1H472K	CHIP C 4700PF K	KK1	C136			CC73FCH1H180J	CHIP C 18PF J	M1E
C39			CK73FB1H103K	CHIP C 0.010UF K		C137			CC73FCH1H471J	CHIP C 470PF J	M1E
C42 -46			C90-2595-05	ELECTRO 4.7UF 16WV		C138			CC73FCH1H820J	CHIP C 82PF J	M1E
C48 ,49			C90-2597-05	ELECTRO 10UF 16WV		C139			CC73FSL1H102J	CHIP C 1000PF J	M1E
C50			CK73FB1C104K	CHIP C 0.10UF K		C140			CK73FB1H223K	CHIP C 0.022UF K	M1E
C51			CK73FB1H103K	CHIP C 0.010UF K		C141			CC73FSL1H222J	CHIP C 2200PF J	M1E
C52 ,53			C90-2597-05	ELECTRO 10UF 16WV		C142			CK73FB1H822K	CHIP C 8200PF K	M1E
C54			CC73FCH1H121J	CHIP C 120PF J		C144			CK73FB1H103K	CHIP C 0.010UF K	
C55			CK73FB1C823K	CHIP C 0.082UF K		C145			CC73FCH1H471J	CHIP C 470PF J	M1E
C56			CK73FB1C104K	CHIP C 0.10UF K		C146			CK73FB1H103K	CHIP C 0.010UF K	
C57			CK73EB1C474K	CHIP C 0.47UF K		C147			CE04CW1A101M	ELECTRO 100UF 10WV	
C58			CK73GB1E183K	CHIP C 0.018UF K		C148			CK73FB1E273K	CHIP C 0.027UF K	
C59			CK73FB1H103K	CHIP C 0.010UF K		C149			CK73EB1C105K	CHIP C 1.0UF K	M1E
C60			CE04CW1A101M	ELECTRO 100UF 10WV	K1M1E	C150,151			CK73FB1H103K	CHIP C 0.010UF K	M1E
C60			CE04CW1A470M	ELECTRO 47UF 10WV	K	C151			CK73FB1H103K	CHIP C 0.010UF K	KK1
C61			C90-2610-05	ELECTRO 2.2UF 50WV		C153			CK73FB1H103K	CHIP C 0.010UF K	
C62			CK73FB1H103K	CHIP C 0.010UF K		C157			CK73EB1C474K	CHIP C 0.47UF K	
C63			C93-1054-05	CHIP C 0.012UF K	K1M1E	C159			CK73FB1H103K	CHIP C 0.010UF K	
C64			C90-2608-05	ELECTRO 1.0UF 50WV		C160			CK73EB1C225K	CHIP C 2.2UF K	
C65 ,66			C90-2610-05	ELECTRO 2.2UF 50WV	K1M1E	C161			C90-2608-05	ELECTRO 1.0UF 50WV	
C65 ,66			C90-5204-05	ELECTRO 0.47UF 50WV	K	CN1			E40-5066-05	PIN ASSY	
C67 ,68			CK73FB1H682K	CHIP C 6800PF K	K	CN2			E40-3299-05	PIN ASSY	
C69 -76			CK73FB1C274K	CHIP C 0.27UF K		CN3			E40-3252-05	PIN ASSY	
C77 -80			CK73FB1C104K	CHIP C 0.10UF K		CN4			E40-3261-05	PIN ASSY	
C81 ,82			CE04CW1C220M	ELECTRO 22UF 16WV		CN5			E40-9550-05	FLAT CABLE CONNECTOR	
C83 ,84			CC73FCH1H820J	CHIP C 82PF J	K	CN6			E40-9557-05	FLAT CABLE CONNECTOR	
C85 ,86			CE04CW1C220M	ELECTRO 22UF 16WV		CN7			E40-5029-05	FLAT CABLE CONNECTOR	
C87 ,88			CC73FCH1H820J	CHIP C 82PF J	K	CN8			E40-3250-05	PIN ASSY	
C89 -92			C90-2536-05	ELECTRO 10UF 16WV	K	J1			E58-0836-05	RECTANGULAR RECEPTACLE	
C89 -92			C90-2597-05	ELECTRO 10UF 16WV	K1M1E	WH1	2D		E30-4440-05	CORD WITH PLUG	
C95 -98			C90-5296-05	ELECTRO 0.22UF 50WV	K1M1E	WH1	2D		E30-4804-05	CORD WITH PLUG	
C99			C90-2935-05	ELECTRO 1.0UF 50WV	K1M1E						

K: KDC-X915 K1: KDC-X815 M1: KDC-PS9016R E: KDC-PS9080R

⚠ indicates safety critical components.

PARTS LIST

* New Parts

Parts without Parts No. are not supplied.

Les articles non mentionnes dans le Parts No. ne sont pas fournis.

Teile ohne Parts No. werden nicht geliefert.

ELECTRIC UNIT (X25-84XX-XX)

Ref.No.	A d d	N e w	Parts No.	Description	Dest inati on
L1			L40-4795-34	SMALL FIXED INDUCTOR	
L2			L40-2205-34	SMALL FIXED INDUCTOR(22UH)	
L3 -7			L40-4795-34	SMALL FIXED INDUCTOR	
L8			L33-1039-05	LINE FILTER COIL	
L9			L39-1004-05	TRAP COIL	
L10			L40-4795-34	SMALL FIXED INDUCTOR	
L11			L92-0075-05	CHIP FERRITE	
X1			L78-0683-05	RESONATOR	
X2			L77-2738-05	CRYSTAL RESONATOR	
X3			L77-2002-05	CRYSTAL RESONATOR	
S	3D		N83-3005-46	PAN HEAD TAPTITE SCREW	
T	3D		N35-3010-46	BINDING HEAD MACHINE SCREW	K1M1
W	3D		N86-2606-46	BINDING HEAD TAPTITE SCREW	
X	3D		N83-3012-46	PAN HEAD TAPTITE SCREW	K1M1
CP2			R90-0724-05	MULTI-COMP 1K X4	
CP3			R90-1022-05	MULTI-COMP 470 X2	
CP4 -7			R90-0725-05	MULTI-COMP 1K X2	
CP9			R90-0725-05	MULTI-COMP 1K X2	
R1			RK73FB2A223J	CHIP R 22K J 1/10W	
R2			RK73FB2A101J	CHIP R 100 J 1/10W	
R3			RK73FB2A223J	CHIP R 22K J 1/10W	
R4			RK73FB2A222J	CHIP R 2.2K J 1/10W	
R5			RK73EB2B221J	CHIP R 220 J 1/8W	
R6			RK73FB2A153J	CHIP R 15K J 1/10W	
R7			R92-3032-05	CHIP R 4.3K D 1/10W	
R8 ,9			R92-3052-05	METAL GLAZE RESISTOR	
R11			RK73FB2A152J	CHIP R 1.5K J 1/10W	
R13			RK73FB2A471J	CHIP R 470 J 1/10W	
R14			RK73GB1J104J	CHIP R 100K J 1/16W	
R15			RK73EB2B752J	CHIP R 7.5K J 1/8W	M1E
R16			RK73EB2B103J	CHIP R 10K J 1/8W	
R17			RK73FB2A223J	CHIP R 22K J 1/10W	M1E
R18			RK73FB2A473J	CHIP R 47K J 1/10W	M1E
R19			RK73FB2A102J	CHIP R 1.0K J 1/10W	M1E
R20			RK73EB2B104J	CHIP R 100K J 1/8W	
R21			RK73FB2A102J	CHIP R 1.0K J 1/10W	
R22			RK73FB2A104J	CHIP R 100K J 1/10W	
R23			RK73FB2A750J	CHIP R 75 J 1/10W	
R24			RK73FB2A272J	CHIP R 2.7K J 1/10W	
R25			RK73FB2A470J	CHIP R 47 J 1/10W	
R26			RK73EB2B102J	CHIP R 1.0K J 1/8W	
R27			RK73GB1J752J	CHIP R 7.5K J 1/16W	
R28			RK73GB1J563J	CHIP R 56K J 1/16W	
R29			RK73GB1J913J	CHIP R 91K J 1/16W	
R30			RK73FB2A470J	CHIP R 47 J 1/10W	
R31			RK73FB2A103J	CHIP R 10K J 1/10W	
R32			RK73GB1J913J	CHIP R 91K J 1/16W	
R33			RK73FB2A913J	CHIP R 91K J 1/10W	
R34			RK73FB2A472J	CHIP R 4.7K J 1/10W	KK1
R35			R92-0366-05	CHIP R 560 J 1W	KK1
R36			RK73FB2A223J	CHIP R 22K J 1/10W	KK1
R37			RK73FB2A472J	CHIP R 4.7K J 1/10W	
R38			R92-0365-05	CHIP R 1.0K J 1/2W	
R39			RK73FB2A223J	CHIP R 22K J 1/10W	

Ref.No.	A d d	N e w	Parts No.	Description	Dest inati on
R40			R92-0365-05	CHIP R 1.0K J 1/2W	
R41			RK73EB2B472J	CHIP R 4.7K J 1/8W	
R42			RK73EB2B222J	CHIP R 2.2K J 1/8W	
R43 -45			RK73EB2B470J	CHIP R 47 J 1/8W	
R46			RK73EB2B222J	CHIP R 2.2K J 1/8W	
R47 ,48			RK73EB2B472J	CHIP R 4.7K J 1/8W	
R50 ,51			RK73FB2A123J	CHIP R 12K J 1/10W	
R52			RK73FB2A562J	CHIP R 5.6K J 1/10W	
R53			RK73GB1J223J	CHIP R 22K J 1/16W	
R54			RD14DB2H332J	SMALL-RD 3.3K J 1/2W	
R56 ,57			RK73EB2B104J	CHIP R 100K J 1/8W	
R58			RK73FB2A183J	CHIP R 18K J 1/10W	
R59			RK73GB1J104J	CHIP R 100K J 1/16W	
R60			RK73FB2A104J	CHIP R 100K J 1/10W	K1M1
R61			RK73FB2A104J	CHIP R 100K J 1/10W	K
R62			RK73FB2A104J	CHIP R 100K J 1/10W	M1
R63 ,64			RK73FB2A104J	CHIP R 100K J 1/10W	KK1
R65			RK73FB2A104J	CHIP R 100K J 1/10W	
R66			RK73FB2A222J	CHIP R 2.2K J 1/10W	
R67			RK73GB1J472J	CHIP R 4.7K J 1/16W	
R70			RK73FB2A102J	CHIP R 1.0K J 1/10W	
R71			RK73GB1J472J	CHIP R 4.7K J 1/16W	
R72 ,73			RK73FB2A562J	CHIP R 5.6K J 1/10W	
R74			RK73FB2A223J	CHIP R 22K J 1/10W	
R76			RK73GB1J470J	CHIP R 47 J 1/16W	
R77			RK73FB2A104J	CHIP R 100K J 1/10W	
R78			RK73FB2A470J	CHIP R 47 J 1/10W	
R79 ,80			RK73FB2A222J	CHIP R 2.2K J 1/10W	
R83			RK73GB1J104J	CHIP R 100K J 1/16W	
R84			RK73FB2A102J	CHIP R 1.0K J 1/10W	
R86			RK73FB2A561J	CHIP R 560 J 1/10W	
R89			RK73FB2A104J	CHIP R 100K J 1/10W	
R90			RK73GB1J222J	CHIP R 2.2K J 1/16W	
R92			RK73GB1J102J	CHIP R 1.0K J 1/16W	
R93			RK73FB2A222J	CHIP R 2.2K J 1/10W	M1E
R94			RK73GB1J223J	CHIP R 22K J 1/16W	KK1
R94			RK73GB1J273J	CHIP R 27K J 1/16W	M1E
R95 ,96			RK73GB1J472J	CHIP R 4.7K J 1/16W	
R97			RK73FB2A102J	CHIP R 1.0K J 1/10W	M1E
R99			RK73GB1J102J	CHIP R 1.0K J 1/16W	
R100			RK73FB2A102J	CHIP R 1.0K J 1/10W	
R101			RK73GB1J104J	CHIP R 100K J 1/16W	
R102,103			RK73FB2A470J	CHIP R 47 J 1/10W	
R104			RK73FB2A104J	CHIP R 100K J 1/10W	
R105-107			RK73FB2A222J	CHIP R 2.2K J 1/10W	
R108			RK73GB1J222J	CHIP R 2.2K J 1/16W	
R112,113			RK73GB1J222J	CHIP R 2.2K J 1/16W	
R114			RK73GB1J124J	CHIP R 120K J 1/16W	M1E
R114			RK73GB1J164J	CHIP R 160K J 1/16W	KK1
R115			RK73FB2A102J	CHIP R 1.0K J 1/10W	M1E
R118			RK73GB1J102J	CHIP R 1.0K J 1/16W	
R120			RK73GB1J102J	CHIP R 1.0K J 1/16W	M1E
R121			RK73GB1J103J	CHIP R 10K J 1/16W	
R122			RK73FB2A103J	CHIP R 10K J 1/10W	
R123			RK73FB2A102J	CHIP R 1.0K J 1/10W	

K: KDC-X915 K1: KDC-X815 M1: KDC-PS9016R E: KDC-PS9080R

▲ indicates safety critical components.

PARTS LIST

* New Parts

Parts without Parts No. are not supplied.

Les articles non mentionnes dans le Parts No. ne sont pas fournis.

Teile ohne Parts No. werden nicht geliefert.

ELECTRIC UNIT (X25-84XX-XX)

Ref.No.	A d d	N e w	Parts No.	Description	Dest inati on
R124			RK73GB1J473J	CHIP R 47K J 1/16W	
R125			RK73FB2A333J	CHIP R 33K J 1/10W	
R126,127			RK73FB2A473J	CHIP R 47K J 1/10W	
R128			RK73FB2A821J	CHIP R 820 J 1/10W	
R129			RK73GB1J153J	CHIP R 15K J 1/16W	
R130			RK73FB2A473J	CHIP R 47K J 1/10W	
R131			RK73FB2A472J	CHIP R 4.7K J 1/10W	
R132-136			RK73EB2B471J	CHIP R 470 J 1/8W	
R137-139			RK73FB2A222J	CHIP R 2.2K J 1/10W	
R140			RK73EB2B472J	CHIP R 4.7K J 1/8W	
R141,142			RK73GB1J104J	CHIP R 100K J 1/16W	
R143,144			RK73FB2A104J	CHIP R 100K J 1/10W	
R145			RK73FB2A472J	CHIP R 4.7K J 1/10W	
R147			RK73FB2A472J	CHIP R 4.7K J 1/10W	
R148,149			RK73GB1J334J	CHIP R 330K J 1/16W	
R151			RK73GB1J303J	CHIP R 30K J 1/16W	K
R152			RK73GB1J222J	CHIP R 2.2K J 1/16W	K
R153,154			RK73EB2B361J	CHIP R 360 J 1/8W	
R155,156			RK73FB2A472J	CHIP R 4.7K J 1/10W	
R157,158			RK73FB2A222J	CHIP R 2.2K J 1/10W	
R159,160			RK73EB2B361J	CHIP R 360 J 1/8W	
R161,162			RK73FB2A472J	CHIP R 4.7K J 1/10W	
R163,164			RK73FB2A222J	CHIP R 2.2K J 1/10W	
R165,166			RK73FB2A335J	CHIP R 3.3M J 1/10W	K
R167,168			RK73FB2A103J	CHIP R 10K J 1/10W	
R169,170			RK73FB2A223J	CHIP R 22K J 1/10W	
R171,172			RK73FB2A820J	CHIP R 82 J 1/10W	
R173			RK73EB2B472J	CHIP R 4.7K J 1/8W	
R175,176			RK73FB2A103J	CHIP R 10K J 1/10W	
R177,178			RK73FB2A223J	CHIP R 22K J 1/10W	
R179,180			RK73FB2A820J	CHIP R 82 J 1/10W	
R181-184			RK73FB2A472J	CHIP R 4.7K J 1/10W	K1M1
R185			RK73GB1J184J	CHIP R 180K J 1/16W	K1M1
R186			RK73FB2A431J	CHIP R 430 J 1/10W	K1M1
R187			RK73FB2A751J	CHIP R 750 J 1/10W	K1M1
R188			RK73FB2A243J	CHIP R 24K J 1/10W	K1M1
R189			RK73FB2A102J	CHIP R 1.0K J 1/10W	K1M1
R190			RK73FB2A101J	CHIP R 100 J 1/10W	K1M1
R191			RK73FB2A223J	CHIP R 22K J 1/10W	K1M1
R192			RK73GB1J333J	CHIP R 33K J 1/16W	K1M1
R193,194			RK73EB2B100J	CHIP R 10 J 1/8W	
R195			RK73EB2B4R7J	CHIP R 4.7 J 1/8W	
R196			RK73EB2B104J	CHIP R 100K J 1/8W	
R198			RK73FB2A105J	CHIP R 1.0M J 1/10W	
R199			RK73GB1J104J	CHIP R 100K J 1/16W	
R200			RK73EB2B222J	CHIP R 2.2K J 1/8W	
R201,202			RK73EB2B361J	CHIP R 360 J 1/8W	
R203,204			RK73FB2A472J	CHIP R 4.7K J 1/10W	
R205,206			RK73FB2A222J	CHIP R 2.2K J 1/10W	
R207,208			RK73FB2A103J	CHIP R 10K J 1/10W	
R209,210			RK73FB2A223J	CHIP R 22K J 1/10W	M1E
R211,212			RK73FB2A820J	CHIP R 82 J 1/10W	M1E
R215			RK73FB2A153J	CHIP R 15K J 1/10W	M1E
R216			RK73EB2B220J	CHIP R 22 J 1/8W	M1E
R217-219			RK73GB1J103J	CHIP R 10K J 1/16W	M1E

Ref.No.	A d d	N e w	Parts No.	Description	Dest inati on
R220			RK73FB2A103J	CHIP R 10K J 1/10W	M1E
R221			RK73FB2A823J	CHIP R 82K J 1/10W	M1E
R222			RK73FB2A272J	CHIP R 2.7K J 1/10W	M1E
R223			RK73FB2A333J	CHIP R 33K J 1/10W	M1E
R224			RK73FB2A153J	CHIP R 15K J 1/10W	M1E
R225			RK73FB2A103J	CHIP R 10K J 1/10W	M1E
R226			RK73GB1J562J	CHIP R 5.6K J 1/16W	M1E
R227			RK73GB1J103J	CHIP R 10K J 1/16W	M1E
R228			RK73FB2A104J	CHIP R 100K J 1/10W	M1E
R229			RK73FB2A103J	CHIP R 10K J 1/10W	M1E
R230			RK73FB2A222J	CHIP R 2.2K J 1/10W	M1E
R231			RK73GB1J562J	CHIP R 5.6K J 1/16W	M1E
R232			RK73FB2A272J	CHIP R 2.7K J 1/10W	
R233			RK73FB2A223J	CHIP R 22K J 1/10W	
R234			RK73EB2B102J	CHIP R 1.0K J 1/8W	
R235			RK73FB2A223J	CHIP R 22K J 1/10W	
R236			RK73EB2B102J	CHIP R 1.0K J 1/8W	
R237			RK73FB2A105J	CHIP R 1.0M J 1/10W	M1E
R241			RK73FB2A101J	CHIP R 100 J 1/10W	
R242			RK73GB1J101J	CHIP R 100 J 1/16W	
R243,244			RK73FB2A102J	CHIP R 1.0K J 1/10W	
R245			RK73FB2A122J	CHIP R 1.2K J 1/10W	
R246			RK73FB2A473J	CHIP R 47K J 1/10W	
R247			RK73GB1J102J	CHIP R 1.0K J 1/16W	
R248			RK73FB2A104J	CHIP R 100K J 1/10W	
VR1			R32-0229-05	SEMI FIXED VARIABLE RESISTOR	M1E
W16 -21			R92-2052-05	CHIP R 0 J 1/10W	KK1
W18 ,19			R92-2052-05	CHIP R 0 J 1/10W	M1E
W27			R92-2052-05	CHIP R 0 J 1/10W	M1
W28			R92-2052-05	CHIP R 0 J 1/10W	KK1
PH1			T95-0231-05	OPTO ISOLATOR	
D1			RM10ZLF	DIODE	
D2			AM01Z	DIODE	
D2			ERA15-01	DIODE	
D3			MA4056(N)-M	ZENER DIODE	
D4			MA4082(N)-L	ZENER DIODE	
D6			HZM4.7N(B2)	ZENER DIODE	M1E
D7			MA4110(N)-M	ZENER DIODE	
D8			MA4056(N)-M	ZENER DIODE	
D11 ,12			AM01Z	DIODE	KK1
D11 ,12			ERA15-01	DIODE	KK1
D12			AM01Z	DIODE	M1E
D12			ERA15-01	DIODE	M1E
D13			DAP202K	DIODE	
D13			KDS181	DIODE	
D13			MA152WA	DIODE	
D16			MA3062WA	ZENER DIODE	
D18			MA3062WA	ZENER DIODE	
D19			MA4056(N)-M	ZENER DIODE	
D20			MA4062(N)-M	ZENER DIODE	
D21			DAN202K	DIODE	
D21			KDS184	DIODE	
D21			MA152WK	DIODE	
D22			DA204K	DIODE	

K: KDC-X915 K1: KDC-X815 M1: KDC-PS9016R E: KDC-PS9080R

⚠ indicates safety critical components.

PARTS LIST

* New Parts

Parts without Parts No. are not supplied.

Les articles non mentionnés dans le Parts No. ne sont pas fournis.

Teile ohne Parts No. werden nicht geliefert.

ELECTRIC UNIT (X25-84XX-XX)

Ref.No.	A d d	N e w	Parts No.	Description	Dest inati on
D22			KDS226	DIODE	
D23 ,24			RD6.8M(B2)	ZENER DIODE	
D27			DAP202K	DIODE	K1M1E
D27			KDS181	DIODE	K1M1E
D27			MA152WA	DIODE	K1M1E
D28 ,29			RD6.8MW	ZENER DIODE	
D31			DAN202K	DIODE	M1E
D31			KDS184	DIODE	M1E
D31			MA152WK	DIODE	M1E
D32			MA3056-M	ZENER DIODE	
D33			SA-C2012-101TB	SURGE ABSORBER	
D34			DAN202K	DIODE	K1M1E
D34			KDS184	DIODE	K1M1E
D34			MA152WK	DIODE	K1M1E
D35 -43			1SR154-400	DIODE	K1M1E
D43			1SR154-400	DIODE	K
D47 ,48			DAP202K	DIODE	
D47 ,48			KDS181	DIODE	
D47 ,48			MA152WA	DIODE	
D50			MA3220-H	ZENER DIODE	
D51			DA204K	DIODE	
D51			KDS226	DIODE	
D55 -59			DA204K	DIODE	
D55 -59			KDS226	DIODE	
D60			MA3062WA	ZENER DIODE	
IC1			UPD784217GC104	MI-COM IC	
IC2			TDA7400	ANALOGUE IC	
IC3			M5237ML	IC(VOLTAGE REGULATOR)	
IC4			TDA7386	ANALOGUE IC	K1M1E
IC5			TDA7401	ANALOGUE IC	
IC6			TC7662BE0A	ANALOGUE IC	
IC7 -9			NJM2068MD	IC(OP AMP)	K
IC7 -9			NJM4565M-TE2	ANALOGUE IC	K1M1E
IC10			TC74HC02AF	IC	
IC11			TDA7479D	ANALOGUE IC	
IC12			NJM4565M-TE2	ANALOGUE IC	M1E
IC13			LB1930M	ANALOGUE IC	
IC14			BR24C01AF	MEMORY IC	
IC14			M24C01-WMN6T	MEMORY IC	
IC15			S-80830ANNP	MOS-IC	
IC16			NJM4565M-TE2	ANALOGUE IC	
Q1			2SB1565(E,F)	TRANSISTOR	
Q2			2SC2412K	TRANSISTOR	
Q2			2SD601A	TRANSISTOR	
Q3			2SB709A	TRANSISTOR	
Q4			2SB1565(E,F)	TRANSISTOR	
Q5			DTA124EK	DIGITAL TRANSISTOR	
Q5			KRA103S	TRANSISTOR	
Q5			UN2112	DIGITAL TRANSISTOR	
Q6			DTC124EK	DIGITAL TRANSISTOR	
Q6			KRC103S	TRANSISTOR	
Q6			UN2212	DIGITAL TRANSISTOR	
Q7			2SD2396F40	TRANSISTOR	
Q9			DTC124EK	DIGITAL TRANSISTOR	
Q9			KRC103S	TRANSISTOR	

Ref.No.	A d d	N e w	Parts No.	Description	Dest inati on
Q9			UN2212	DIGITAL TRANSISTOR	
Q11			DTA123JK	DIGITAL TRANSISTOR	
Q12			DTC144EK	DIGITAL TRANSISTOR	
Q12			KRC104S	TRANSISTOR	
Q12			UN2213	DIGITAL TRANSISTOR	
Q13			2SB1443	TRANSISTOR	
Q14			2SC2412K	TRANSISTOR	
Q14			2SD601A	TRANSISTOR	
Q15			2SB709A	TRANSISTOR	
Q16			2SC2412K	TRANSISTOR	
Q16			2SD601A	TRANSISTOR	
Q17			2SB709A	TRANSISTOR	
Q18			2SC2412K	TRANSISTOR	
Q18			2SD601A	TRANSISTOR	
Q19			2SB709A	TRANSISTOR	
Q20			2SC2412K	TRANSISTOR	
Q20			2SD601A	TRANSISTOR	
Q21			2SB1277(Q,R)	TRANSISTOR	
Q22			DTC114EK	DIGITAL TRANSISTOR	KK1
Q22			UN2211	DIGITAL TRANSISTOR	KK1
Q23			2SB1277(Q,R)	TRANSISTOR	
Q24			2SB709A	TRANSISTOR	
Q25			DTA124EK	DIGITAL TRANSISTOR	
Q25			KRA103S	TRANSISTOR	
Q25			UN2112	DIGITAL TRANSISTOR	
Q26			DTC114EK	DIGITAL TRANSISTOR	
Q26			UN2211	DIGITAL TRANSISTOR	
Q28 ,29			2SC2412K	TRANSISTOR	
Q28 ,29			2SD601A	TRANSISTOR	
Q30 ,31			DTA124EK	DIGITAL TRANSISTOR	
Q30 ,31			KRA103S	TRANSISTOR	
Q30 ,31			UN2112	DIGITAL TRANSISTOR	
Q32			2SC2412K	TRANSISTOR	
Q32			2SD601A	TRANSISTOR	
Q33			DTC124EK	DIGITAL TRANSISTOR	
Q33			KRC103S	TRANSISTOR	
Q33			UN2212	DIGITAL TRANSISTOR	
Q34 -37			2SC2412K	TRANSISTOR	
Q34 -37			2SD601A	TRANSISTOR	
Q38			DTC114YK	DIGITAL TRANSISTOR	K1M1
Q38			KRC107S	TRANSISTOR	K1M1
Q38			UN2214	DIGITAL TRANSISTOR	K1M1
Q39 ,40			2SC2412K	TRANSISTOR	
Q39 ,40			2SD601A	TRANSISTOR	
Q41			2SB709A	TRANSISTOR	
Q42			2SC2412K	TRANSISTOR	M1E
Q42			2SD601A	TRANSISTOR	M1E
Q43			DTC114TK	DIGITAL TRANSISTOR	M1E
Q43			UN2215	DIGITAL TRANSISTOR	M1E
Q44			DTA124EK	DIGITAL TRANSISTOR	M1E
Q44			KRA103S	TRANSISTOR	M1E
Q44			UN2112	DIGITAL TRANSISTOR	M1E
Q45			DTC124EK	DIGITAL TRANSISTOR	M1E
Q45			KRC103S	TRANSISTOR	M1E
Q45			UN2212	DIGITAL TRANSISTOR	M1E

K: KDC-X915 K1: KDC-X815 M1: KDC-PS9016R E: KDC-PS9080R

⚠ indicates safety critical components.

PARTS LIST

* New Parts

Parts without Parts No. are not supplied.

Les articles non mentionnes dans le Parts No. ne sont pas fournis.

Teile ohne Parts No. werden nicht geliefert.

ELECTRIC UNIT (X25-84XX-XX)

CD PLAYER UNIT (X32-474X-XX)

Ref.No.	A d d	N e w	Parts No.	Description	Dest inati on
Q48			2SB1188(Q,R)	TRANSISTOR	
Q49			DTC124EK	DIGITAL TRANSISTOR	
Q49			KRC103S	TRANSISTOR	
Q49			UN2212	DIGITAL TRANSISTOR	
Q50			2SB1188(Q,R)	TRANSISTOR	
Q51			DTC124EK	DIGITAL TRANSISTOR	
Q51			KRC103S	TRANSISTOR	
Q51			UN2212	DIGITAL TRANSISTOR	
Q52			DTC144EK	DIGITAL TRANSISTOR	
Q52			KRC104S	TRANSISTOR	
Q52			UN2213	DIGITAL TRANSISTOR	
Q53 ,54			DTA124EK	DIGITAL TRANSISTOR	
Q53 ,54			KRA103S	TRANSISTOR	
Q55			2SC2412K	TRANSISTOR	
Q55			2SD601A	TRANSISTOR	
Q56			2SB1443	TRANSISTOR	
TH1			PTH9C42BD471Q	POSITIVE RESISTOR	K1M1
A1	3D		X86-3082-70	TUNER UNIT	E
A1	3D		X86-3100-10	TUNER UNIT	KK1
A1	3D		X86-3222-70	TUNER UNIT	M1
CD PLAYER UNIT (X32-474X-XX)					
C1 ,2			CK73FB1A105K	CHIP C 1.0UF K	
C3			C92-1359-05	CHIP-TAN 10UF 16WV	
C4			C92-0566-05	CHIP-TAN 10UF 6.3WV	
C5			CC73FCH1H330J	CHIP C 33PF J	
C6			CC73FCH1H030C	CHIP C 3.0PF C	
C7			CK73FB1C104K	CHIP C 0.10UF K	
C8			CK73FB1A105K	CHIP C 1.0UF K	
C9			CC73FCH1H101J	CHIP C 100PF J	
C10			CK73FB1H472K	CHIP C 4700PF K	
C11			CK73FB1H682K	CHIP C 6800PF K	
C12			CK73FB1H222K	CHIP C 2200PF K	
C13			CK73FB1H273K	CHIP C 0.022UF K	
C14			CK73FB1H472K	CHIP C 4700PF K	
C15			CK73FB1E473K	CHIP C 0.047UF K	
C16			CC73FCH1H101J	CHIP C 100PF J	
C17			CK73FB1H472K	CHIP C 4700PF K	
C18			CK73FB1H471K	CHIP C 470PF K	
C19 ,20			CK73FB1C104K	CHIP C 0.10UF K	
C21			C92-1359-05	CHIP-TAN 10UF 16WV	
C22			CK73FB1C104K	CHIP C 0.10UF K	
C23			CK73FB1H102K	CHIP C 1000PF K	
C24			CK73FB1H223K	CHIP C 0.022UF K	
C25			CK73FB1H123K	CHIP C 0.012UF K	
C26			CK73FB1A105K	CHIP C 1.0UF K	
C28			CK73FB1A105K	CHIP C 1.0UF K	
C29			CK73FB1C104K	CHIP C 0.10UF K	
C31 ,32			CK73FB1H103K	CHIP C 0.010UF K	
C33 -36			CK73FB1C104K	CHIP C 0.10UF K	
C37			C93-1031-05	CERAMIC 0.010UF 50WV	
C40			CK73FB1C104K	CHIP C 0.10UF K	
C41			CK73EB1C225K	CHIP C 2.2UF K	
C43			CK73FB1H123K	CHIP C 0.012UF K	
C44			CK73FB1C104K	CHIP C 0.10UF K	

Ref.No.	A d d	N e w	Parts No.	Description	Dest inati on
C45			CK73FB1H123K	CHIP C 0.012UF K	
C46			CK73FB1E473K	CHIP C 0.047UF K	
C51			C92-1324-05	CHIP-TAN 4.7UF 16WV	
C52			CK73FB1E473K	CHIP C 0.047UF K	
C53 ,54			C93-1084-05	CERAMIC 1200PF J	
C55			CK73FB1C104K	CHIP C 0.10UF K	
C61			CK73EB1C105K	CHIP C 1.0UF K	
C63			C92-1324-05	CHIP-TAN 4.7UF 16WV	
C65 ,66			CK73FB1A105K	CHIP C 1.0UF K	
C67 ,68			C92-1324-05	CHIP-TAN 4.7UF 16WV	
C71 -74			C93-1084-05	CERAMIC 1200PF J	
C75 -78			CC73FCH1H271J	CHIP C 270PF J	
C79 ,80			C93-1044-05	CERAMIC 2200PF K	
C81			CK73FB1H102K	CHIP C 1000PF K	
C83 ,84			CC73FCH1H100D	CHIP C 10PF D	
C85 -87			CK73FB1C104K	CHIP C 0.10UF K	
CN1			E40-9536-05	FLAT CABLE CONNECTOR	
CN2			E40-9339-05	FLAT CABLE CONNECTOR	
CP8			L92-0320-05	FERRITE CORE	
L1			L40-1001-78	SMALL FIXED INDUCTOR(10UH)	
L2			L92-0308-05	FERRITE CORE	
L3			L92-0334-05	CHIP FERRITE	
L14			L79-0938-05	LC FILTER	
L15			L92-0308-05	FERRITE CORE	
X1			L77-2081-05	CRYSTAL RESONATOR	
CP1 -3			R90-1019-05	MULTI-COMP 100 X2	
R1 ,2			RK73FB2A333J	CHIP R 33K J 1/10W	
R3			RK73FB2A823J	CHIP R 82K J 1/10W	
R5			RK73FB2A910J	CHIP R 91 J 1/10W	
R6			RK73FB2A823J	CHIP R 82K J 1/10W	
R8			RK73EB2B4R7J	CHIP R 4.7 J 1/8W	
R9			RK73EB2B100J	CHIP R 10 J 1/8W	
R10 ,11			RK73FB2A682J	CHIP R 6.8K J 1/10W	
R12			RK73FB2A432J	CHIP R 4.3K J 1/10W	
R13			RK73FB2A363J	CHIP R 36K J 1/10W	
R14 ,15			RK73FB2A824J	CHIP R 820K J 1/10W	
R16			RK73FB2A223J	CHIP R 22K J 1/10W	
R17			RK73FB2A363J	CHIP R 36K J 1/10W	
R18			RK73FB2A392J	CHIP R 3.9K J 1/10W	
R19			RK73FB2A273J	CHIP R 27K J 1/10W	
R20			RK73FB2A104J	CHIP R 100K J 1/10W	
R21			RK73FB2A224J	CHIP R 220K J 1/10W	
R22 ,23			RK73FB2A333J	CHIP R 33K J 1/10W	
R31			RK73FB2A102J	CHIP R 1.0K J 1/10W	
R32			RK73FB2A104J	CHIP R 100K J 1/10W	
R34			RK73FB2A683J	CHIP R 68K J 1/10W	
R35			RK73FB2A104J	CHIP R 100K J 1/10W	
R36			RK73FB2A151J	CHIP R 150 J 1/10W	
R37			RK73FB2A471J	CHIP R 470 J 1/10W	
R38			RK73FB2A224J	CHIP R 220K J 1/10W	
R44			RK73FB2A512J	CHIP R 5.1K J 1/10W	
R45			RK73FB2A103J	CHIP R 10K J 1/10W	
R46			RK73FB2A102J	CHIP R 1.0K J 1/10W	

K: KDC-X915 K1: KDC-X815 M1: KDC-PS9016R E: KDC-PS9080R

⚠ indicates safety critical components.

PARTS LIST

* New Parts

Parts without Parts No. are not supplied.

Les articles non mentionnes dans le Parts No. ne sont pas fournis.

Teile ohne Parts No. werden nicht geliefert.

CD PLAYER UNIT (X32-474X-XX)

DAUGHTER UNIT (X89-241X-XX)

MECHANISM ASSY (X92-37XX-XX)

Ref.No.	A d d	N e w	Parts No.	Description	Dest inati on
R47			RK73FB2A103J	CHIP R 10K J 1/10W	
R49			RK73FB2A472J	CHIP R 4.7K J 1/10W	
R50			RK73FB2A102J	CHIP R 1.0K J 1/10W	
R52			RK73FB2A104J	CHIP R 100K J 1/10W	
R54			RK73FB2A104J	CHIP R 100K J 1/10W	
R71			RK73FB2A103J	CHIP R 10K J 1/10W	
R72			RK73FB2A102J	CHIP R 1.0K J 1/10W	
R73			RK73FB2A473J	CHIP R 47K J 1/10W	
R74			RK73FB2A103J	CHIP R 10K J 1/10W	
R75			RK73FB2A333J	CHIP R 33K J 1/10W	
R76			RK73FB2A622J	CHIP R 6.2K J 1/10W	
R77			RK73FB2A563J	CHIP R 56K J 1/10W	
R78			RK73FB2A243J	CHIP R 24K J 1/10W	
R79			RK73FB2A242J	CHIP R 2.4K J 1/10W	
R80			RK73FB2A202J	CHIP R 2.0K J 1/10W	
R81			RK73FB2A333J	CHIP R 33K J 1/10W	
R82			RK73FB2A103J	CHIP R 10K J 1/10W	
R83			RK73FB2A102J	CHIP R 1.0K J 1/10W	
R91			RK73FB2A472J	CHIP R 4.7K J 1/10W	
R101,102			RK73FB2A241J	CHIP R 240 J 1/10W	
R103,104			RK73FB2A122J	CHIP R 1.2K J 1/10W	
R115-118			R92-2029-05	CHIP R 2.0K D 1/10W	
R119-122			R92-2044-05	CHIP R 2.7K D 1/10W	
R123-126			R92-2048-05	CHIP R 7.5K D 1/10W	
R127,128			RK73FB2A331J	CHIP R 330 J 1/10W	
R202			RK73FB2A102J	CHIP R 1.0K J 1/10W	
R210			RK73FB2A102J	CHIP R 1.0K J 1/10W	
R211			RK73FB2A681J	CHIP R 680 J 1/10W	
R215			RK73FB2A103J	CHIP R 10K J 1/10W	
R216,217			RK73FB2A155J	CHIP R 1.5M J 1/10W	
R218			RK73FB2A473J	CHIP R 47K J 1/10W	
R219			RK73FB2A472J	CHIP R 4.7K J 1/10W	
R220			RK73FB2A103J	CHIP R 10K J 1/10W	
W1			R92-2053-05	CHIP R 0 J 1/8W	
W3			R92-2052-05	CHIP R 0 J 1/10W	
W8			R92-2052-05	CHIP R 0 J 1/10W	
S1 ,2			S68-0838-05	PUSH SWITCH	
S3			S68-0823-05	PUSH SWITCH	
D1 ,2			DAN202U	DIODE	
D3			DA204K	DIODE	
D4			DAN202U	DIODE	
IC1			AN8806SB	ANALOGUE IC	
IC2			MN662773KB3	MOS-IC	
IC4			BA5917AFP	ANALOGUE IC	
IC5			TA78L05F	IC(VOLTAGE REGULATOR/ +5V)	
IC6			NJM5532MD	IC(OP AMP)	
IC7			KKZ05F	CUSTOM IC	
IC8			TC7SH08F	MOS-IC	
IC9			TC7SZ04F	MOS-IC	
Q1			2SB1188	TRANSISTOR	
Q2			DTC124EUA	DIGITAL TRANSISTOR	
Q3 ,4			2SA1362(Y)	TRANSISTOR	
Q5			DTC124EUA	DIGITAL TRANSISTOR	

Ref.No.	A d d	N e w	Parts No.	Description	Dest inati on
Q7			FMC5A	DIGITAL TRANSISTOR	
Q8			DTC124EUA	DIGITAL TRANSISTOR	
DAUGHTER UNIT (X89-241X-XX)					
C1			C90-2966-05	ELECTRO 100UF 16VV	
C2			CK73FB1H103K	CHIP C 0.010UF K	
C3			C90-2966-05	ELECTRO 100UF 16VV	
C4			CK73FB1H103K	CHIP C 0.010UF K	
C5			C90-2984-05	ELECTRO 47UF 50VV	
C6			CK73FB1H103K	CHIP C 0.010UF K	
C7			CK73EB1C225K	CHIP C 2.2UF K	
CN1			E40-3250-05	PIN ASSY	
L1			L33-1029-05	SMALL FIXED INDUCTOR	
R1			RK73EB2B473J	CHIP R 47K J 1/8W	
R2			RK73FB2A152J	CHIP R 1.5K J 1/10W	
R3			RK73EB2B103J	CHIP R 10K J 1/8W	
R4			R92-2104-05	CHIP R 2.2 J 1W	
D1			MA4100-L	ZENER DIODE	
D2			MA4051(N)-M	ZENER DIODE	
D3			DA204K	DIODE	
D3			KDS226	DIODE	
Q1			2SB1184	TRANSISTOR	
Q2			2SC2412K	TRANSISTOR	
Q2			2SD601A	TRANSISTOR	
A1		*	W02-3232-05	ELECTRIC CIRCUIT MODULE	
MECHANISM ASSY (X92-37XX-XX)					
401	2A		A10-4482-01	CHASSIS	
402	2A		A10-4225-33	CHASSIS CALKING ASSY	
403	2B		A11-0915-43	SUB CHASSIS CALKING ASSY	
405A	2A		D10-4038-23	ARM ASSY	
406	2A		D10-4306-04	ARM ASSY	
407	2A		D10-4305-04	ARM ASSY	
408	3A		D10-3087-44	ARM ASSY	
409	3B		D10-3092-03	SLIDER	
410	3B		D10-3093-04	SLIDER ASSY	
411	2B		D10-3095-04	SLIDER ASSY	
412	2B		D10-3096-04	SLIDER ASSY	
413	1A		D10-3099-24	SLIDER ASSY	
414	1A		D10-3100-04	SLIDER ASSY	
415	2A		D10-4123-24	LEVER ASSY	
416	1B		D10-4004-04	LEVER ASSY	
417	1B		D10-4006-04	LEVER	
418	1A		D10-4007-04	LEVER	
419	2B		D10-4008-14	LEVER	
420	2A		D10-4009-23	ARM	
421	3B		D10-4010-04	LEVER	
422	3A		D10-4011-34	LEVER ASSY	
423	3A		D10-4013-14	ARM ASSY	
424	3B		D10-4050-04	ARM	
427	3B		D13-1340-13	RACK (GEAR)	
429	3B		D13-1231-04	GEAR	

PARTS LIST/SPECIFICATIONS

* New Parts

Parts without Parts No. are not supplied.

Les articles non mentionnes dans le Parts No. ne sont pas fournis.

Teile ohne Parts No. werden nicht geliefert.

Ref.No.	A d d w	N e w	Parts No.	Description	Dest inati on
430	3B		D13-1232-04	GEAR	
431	3B		D13-1233-04	GEAR	
432	3B		D13-1234-14	GEAR ASSY	
433	3A		D13-1238-03	GEAR	
434	3B		D13-1240-04	GEAR	
435	3B		D13-1241-04	GEAR	
436	3B		D13-1242-04	GEAR	
437	1B		D13-1243-04	GEAR	
438	1B		D13-1244-04	GEAR	
439	1B		D13-1245-14	GEAR	
440	2A		D13-1246-04	GEAR	
441	2B		D13-1247-04	GEAR	
443	2B		D13-1249-04	GEAR ASSY	
445	1B		D14-0668-04	ROLLER	
446	2A		D14-0670-04	ROLLER	
447	3B		D14-0674-04	ROLLER	
448	2B		D13-1341-04	GEAR ASSY	
449	3A		D21-2228-14	SHAFT	
450	1A		D21-2229-04	SHAFT	
451	1A		D23-0925-24	RETAINER	
452	2A		D32-0614-04	STOPPER	
453	1B		D39-0223-05	DAMPER	
454	2B		D39-0224-05	DAMPER	
455	3B		F09-1246-04	SHEET	
458	3B		F09-1266-14	SHEET	
460	2B		G01-2770-04	EXTENSION SPRING	
461	3A		G01-2771-04	EXTENSION SPRING	
462	3A		G01-2772-24	EXTENSION SPRING	
463	3A		G01-2773-14	EXTENSION SPRING	
464	3A		G01-2774-34	EXTENSION SPRING	
465	1B		G01-2775-04	TORSION COIL SPRING	
466	1B		G01-2776-14	TORSION COIL SPRING	
467	3B		G01-2777-24	TORSION COIL SPRING	
469	2A		G01-2844-04	EXTENSION SPRING	
470	2A		G02-1231-04	FLAT SPRING	
471	2B		G02-1232-24	FLAT SPRING	
472	2A		G02-1241-24	FLAT SPRING	
475	2A		J11-0613-13	CLAMPER	
476	3A		J19-4678-13	HOLDER	
477	2B		J19-4679-24	HOLDER	
478	3B		J21-7684-13	MOUNTING HARDWARE	
479	2B		J21-7686-13	MOUNTING HARDWARE	
480	1B		J21-7690-03	MOUNTING HARDWARE	
481	3A		J31-1032-04	COLLAR	
482	3A		J84-0107-05	FLEXIBLE PRINTED WIRING BOARD	
483	1A		J90-0757-22	GUIDE	
A	2A		N09-4249-05	MACHINE SCREW (M1.7X2.5,LOCK)	
B	1D		N09-4172-05	TAPPING SCREW (2X3.5)	
C	2B		N09-4202-05	STEPPED SCREW	
D	2A		N38-2020-46	PAN HEAD MACHIN SCREW	
F	3B		N19-2023-04	FLAT WASHER	
G	2A		N19-2058-04	FLAT WASHER	
H	3A		N19-2093-04	FLAT WASHER	
DM1	3B		T42-0764-04	DC MOTOR ASSY	
DM2	3B		T42-0763-04	DC MOTOR ASSY	
DPU1	2B		T25-0215-05	OPTICAL PICKUP HEAD	

KDC-X915/X815

FM Section

Frequency Range	87.9MHz~107.9MHz
(Frequency Step)	(200kHz)
Channel Space selection	50k/200kHz
Usable Sensitivity(S/N:30dB)	9.3dBf(0.8μV/75Ω)
Quieting Sensitivity(S/N:50dB)	15.2dBf (1.6μV/75Ω)
Frequency Response(±3.0dB)	30Hz~15kHz
S/N	70dB(MONO)
Selectivity	≥80dB(±400kHz)
Stereo Separation	40dB(1kHz)

AM Section

Frequency Range	530kHz~1700kHz
(Frequency Step)	(10kHz)
Channel Space selection	9k/10kHz
Usable Sensitivity(S/N:20dB)	28dBμ(25μV)

CD Section

Laser Diode	GaAIAs(λ=780nm)
Digital Filter(D/A)	8 Times Over Sampling
D/A Converter	1Bit
Spindle Speed	500~200(CLV)
Wow & Flutter	Below Measurable Limit
Frequency Response	10~20kHz(±1dB)
Total Harmonic Distortion	0.01%(1kHz)
S/N Ratio	105dB(1kHz)
Dynamic Range	100dB
Channel Separation	95dB

Preout Level (mV) /Load-Unbalanced 4500mV/10kΩ(CD/CD-CH)

Preout Impedance 80Ω

AMPLIFIER Section (KDC-X815 only)

Maximum Power	45W×4
Full Bandwidth Power(at less than 1%THD)	22W×4

TONE Section

Bass	100Hz±10dB
Treble	10kHz±10dB

General

Operating Voltage 14.4V
(11~16V allowable)

Current Consumption

KDC-X915	5A
KDC-X815	10A

Installation Size	KDC-X915	(W) ...	182(mm) 7-3/16(in)
		(H) ...	53(mm) 2-1/16(in)
		(D) ...	160(mm) 6-5/16(in)
	KDC-X815	(W) ...	182(mm) 7-3/16(in)
		(H) ...	53(mm) 2-1/16(in)
		(D) ...	162(mm) 6-3/8(in)

Weight

KDC-X915	4.0lbs(1.8kg)
KDC-X815	4.2lbs(1.9kg)