



PARTS LIST
GPS NAVIGATION SYSTEM

KW-NT30E

KW-NT30HDJ

KW-NT50HDTJ



■ PRECAUTIONS ON SCHEMATIC DIAGRAMS

- Due to the improvement in performance, some part numbers shown in the circuit diagrams may not agree with those indicated in the Parts List.
- The parts numbers, values and rated voltage etc. in the Schematic Diagrams are for reference only.
- Since the circuit diagrams are standard ones, the circuits and circuit constants may be subject to change for improvement without any notice.

■ PRECAUTIONS ON PARTS LIST

- The parts identified by the \triangle symbol are critical for safety. Whenever replacing these parts, be sure to use specified ones to secure the safety.
- The parts not indicated in this Parts List and those which are filled with lines --- in the Parts No. columns will not be supplied.
- P.W. BOARD Ass'y will not be supplied, but those which are filled with the Parts No. in the Parts No. columns will be supplied.
- When ordering chips, screws etc., place bulk orders (unit of tens) whenever possible to improve shipping efficiency.
- There are cases where the actual implemented parts in the sets and the service parts are different. When ordering parts, make sure to refer to the Parts List.

■ PRECAUTIONS ON SERVICE

Certain parts of the power circuits and the GNDs differ according to the models. Care must be taken for the following points as the differences are indicated separately in the LIVE GND () and the ISOLATED (NEUTRAL) GND ()

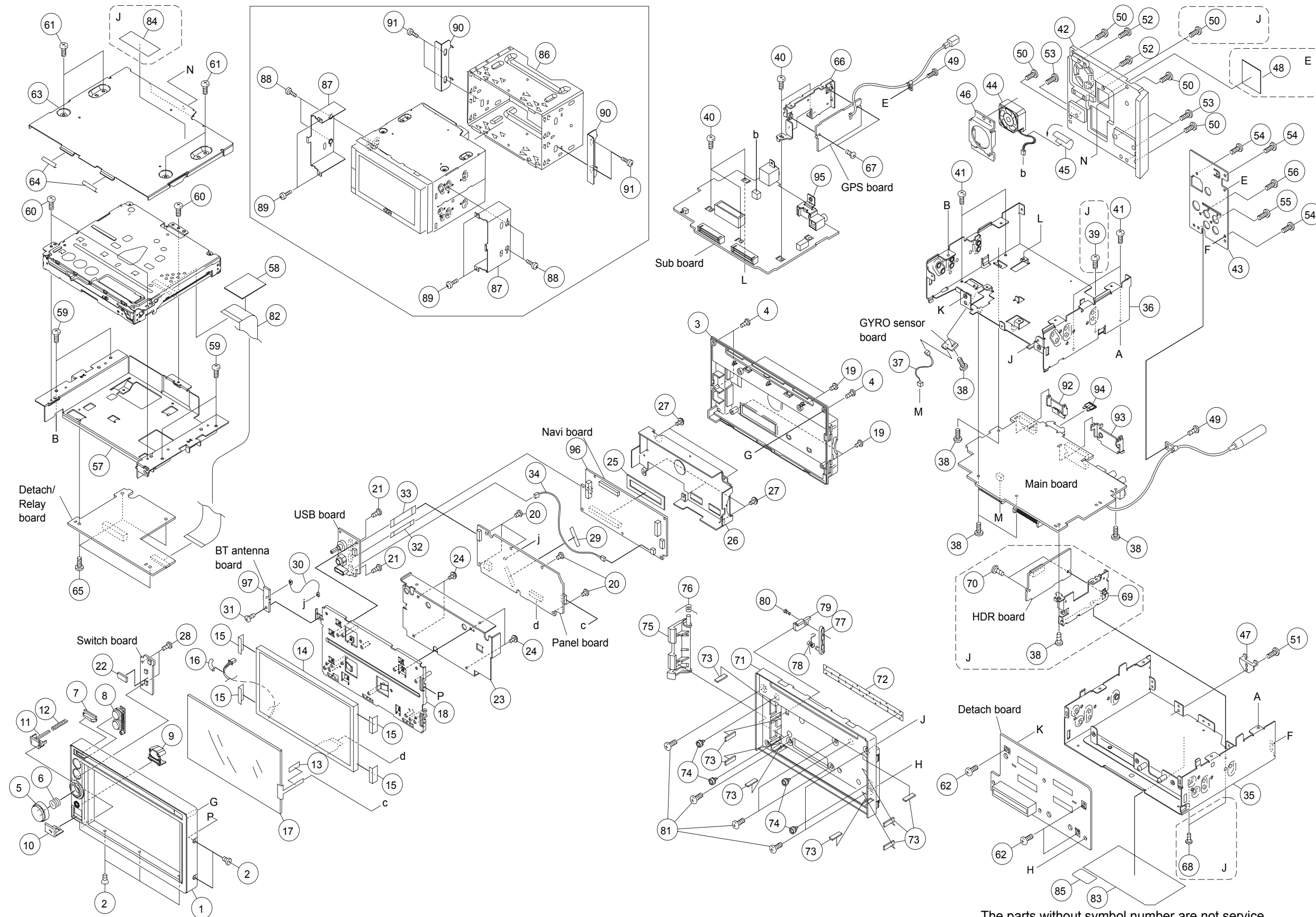
1. Do not touch the LIVE GND, or do not touch the LIVE GND and the ISOLATED (NEUTRAL) GND at the same time. It may cause an electric shock.
Before pulling out the chassis or other parts, make sure to pull out the power cord from the wall outlet first.
2. Do not short circuit between the LIVE GND and ISOLATED (NEUTRAL) GND, or never measure the LIVE GND and ISOLATED (NEUTRAL) GND at the same time using measuring instruments (oscilloscope, etc.). It may blow fuses or damage other parts.

■ DEVIATION TOLERANCE RANGE

DEVIATION TOLERANCE RANGE									
F	G	J	K	M	N	R	H	Z	P
± 1%	± 2%	± 5%	±10%	±20%	±30%	+30% -10%	+50% -10%	+80% -20%	+100% -0%

Exploded view of general assembly

Block No.M1MM



The parts without symbol number are not service.

MODEL	MARK	MODEL	MARK	MODEL	MARK
KW-NT30E	A	KW-NT30HDJ	B	KW-NT50HDTJ	C

Safe	Symbol No.	Parts No.	Parts Name	Description	QTY	Local
General assembly <M1MM>						
	1	LV22821-017A	FRONT PANEL ASSY		1	A
	1	LV22821-019A	FRONT PANEL ASSY		1	B
	1	LV22821-018A	FRONT PANEL ASSY		1	C
	2	LV43819-009A	SPECIAL SCREW		5	
	3	LV11676-001A	REAR COVER		1	
	4	VKZ4777-012	SCREW		3	
	5	LV38894-003A	VOL KNOB ASSY		1	
	6	GE40127-006A	KNOB SPRING		1	
	7	LV39391-002A	BUTTON (EJECT)		1	
	8	LV38892-003A	BUTTON (MENU)		1	
	9	LV39392-002A	LENS (USB)		1	
	10	LV22814-002A	USB COVER		1	A,C
	10	LV22814-003A	USB COVER		1	B
	11	LV38893-002A	DETACH BUTTON		1	A,C
	11	LV38893-003A	DETACH BUTTON		1	B
	12	LV45283-001A	COMPRESSION SPRING		1	
	13	LV40847-051A	SPACER(H)		1	
	14	QLD0641-001	LCD MODULE		1	
	15	LV40847-056A	SPACER(H)		4	
	16	LV40847-055A	SPACER(H)		1	
	17	QAL1262-002	TOUCH PANEL		1	
	18	LV38898-001A	PANEL BKT ASSY		1	
	19	LV44159-005A	MINI SCREW		4	
	20	LV44615-001A	SPECIAL SCREW		5	
	21	LV44615-001A	SPECIAL SCREW		2	
	22	LV40847-058A	SPACER(H)		1	
	23	LV22815-001A	SHIELD CASE		1	
	24	LV44615-001A	SPECIAL SCREW		4	
	25	LV45313-001A	INSULATOR		1	
	26	LV38899-001A	SHIELD TOP ASSY		1	
	27	LV44615-001A	SPECIAL SCREW		5	
	28	VKZ4777-012	SCREW		2	
	29	LV40847-051A	SPACER(H)		1	
	30	QAM1059-001	COAXIAL CABLE		1	
	31	LV44615-001A	SPECIAL SCREW		1	
	32	QUQU05-0803AC-E	FFC WIRE	8pin 3cm	1	
	33	QUQU05-1703AC-E	FFC WIRE	17pin 3cm	1	
	34	WJN0304-001A-E	E-SH C WIRE C-C		1	
	35	LV22754-003A	B,CHASSIS ASSY		1	
	36	LV11632-003A	TOP CHASSIS		1	
	37	WJJ1060-001A-E	E-SI C WIRE C-C		1	
	38	LV44800-005A	SPECIAL SCREW		6	
	39	LV44800-005A	SPECIAL SCREW		1	B,C
	40	LV44800-005A	SPECIAL SCREW		5	
	41	LV44800-005A	SPECIAL SCREW		4	
	42	LV11636-006A	REAR HEAT SINK		1	
	43	LV38900-002A	REAR BKT		1	
△	44	QAR0455-001	COOLING FAN		1	
	45	LV40847-002A	SPACER		1	
	46	LV37313-001A	FAN BKT(IN)		1	
	47	LV45320-001A	POWER BKT		1	
	48	LV45319-001A	COVER SHEET		1	A
	49	LV44800-005A	SPECIAL SCREW		2	
	50	LV44800-005A	SPECIAL SCREW		4	A
	50	LV44800-005A	SPECIAL SCREW		5	B,C
	51	LV44800-005A	SPECIAL SCREW		1	
	52	LV41200-007A	SPECIAL SCREW		2	
	53	QYSDST2620ZA	TAP SCREW	M2.6 x 20mm	3	
	54	LV44800-005A	SPECIAL SCREW		3	
	55	QYSDSF2608ZA	TAP SCREW	M2.6 x 8mm	1	
	56	QYSDSF3008ZA	TAP SCREW	M3 x 8mm	1	
	57	LV11633-001A	MECHA HOLD BKT		1	
	58	LV44494-008A	PROTECT SHEET		1	
	59	LV44800-005A	SPECIAL SCREW		4	
	60	LV44800-005A	SPECIAL SCREW		3	
	61	LV44800-005A	SPECIAL SCREW		4	
	62	LV44800-005A	SPECIAL SCREW		3	
	63	LV11635-001A	TOP COVER		1	
	64	LV40847-057A	SPACER(H)		2	
	65	LV44800-005A	SPECIAL SCREW		4	
	66	LV38902-001A	GPS BKT		1	
	67	LV44615-001A	SPECIAL SCREW		2	
	68	QYSDST2004ZA	TAP SCREW	M2 x 4mm	2	B,C
	69	LV38902-001A	GPS BKT		1	B,C
	70	LV44615-001A	SPECIAL SCREW		2	B,C
	71	LV11677-002A	FRONT CHASSIS		1	
	72	LV45134-003A	BLIND		1	
	73	LV45314-001A	SHEET(FRONT)		8	
	74	LV44748-002A	DUMPER		4	
	75	LV22752-001A	LOCK LEVER		1	
	76	LV45281-002A	LOCK SPRING		1	
	77	LV38632-001A	KICK LEVER		1	
	78	LV45282-001A	KICK SPRING		1	
	79	LV38633-002A	RELEASE LEVER		1	
	80	LV38636-001A	SHAFT(RELEASE)		1	
	81	QYSDST2006MA	TAP SCREW	M2 x 6mm	6	
	82	QUQU05-4007BC-E	FFC WIRE	40pin 7cm	1	
	83	LV39405-002A	NAME PLATE		1	A
	83	LV39404-003A	NAME PLATE		1	B
	83	LV39403-002A	NAME PLATE		1	C
	84	LV45288-003A	FCC ID LABEL		1	B

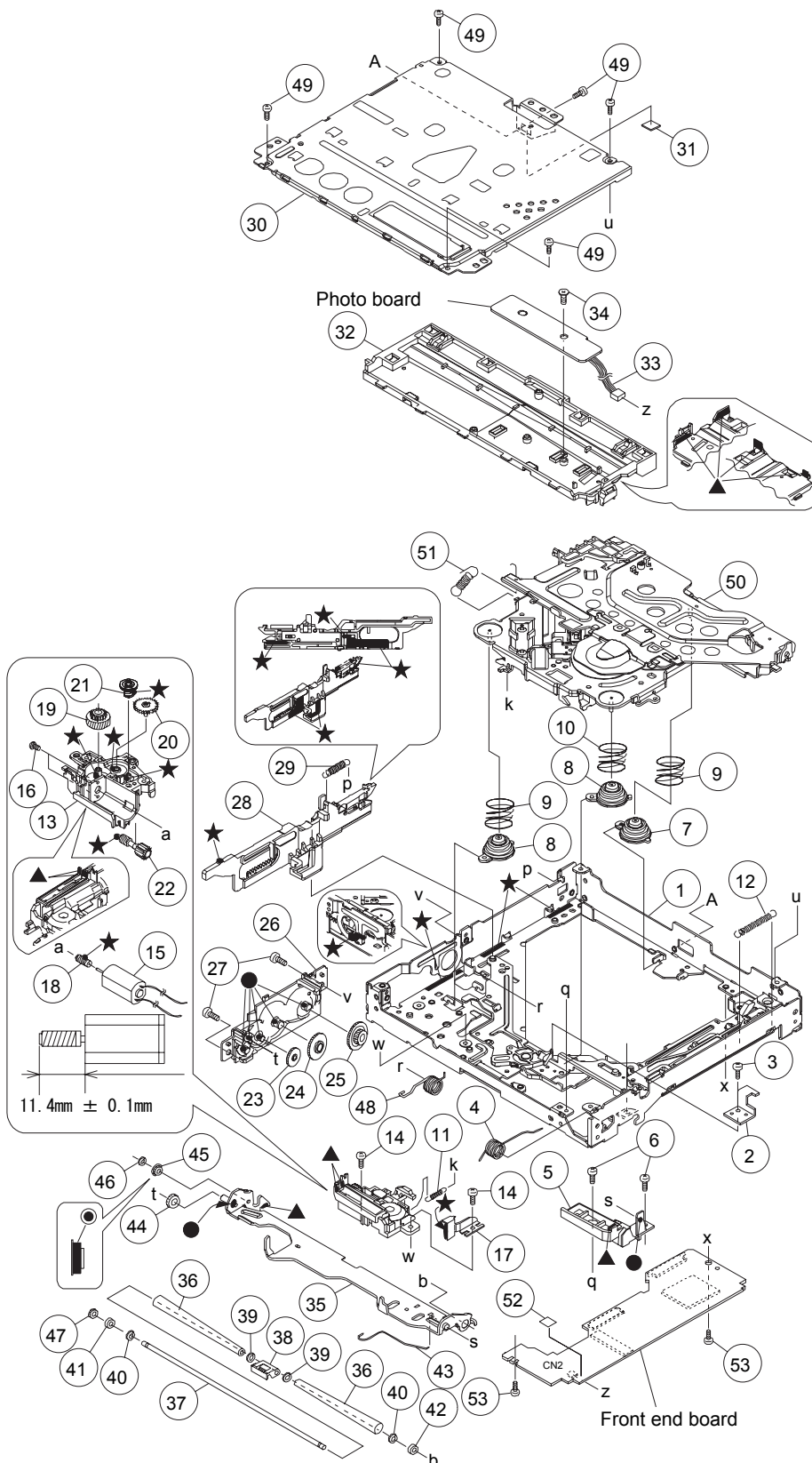
MODEL	MARK	MODEL	MARK	MODEL	MARK
KW-NT30E	A	KW-NT30HDJ	B	KW-NT50HDTJ	C

Safe	Symbol No.	Parts No.	Parts Name	Description	QTY	Local
	84	LV45288-004A	FCC ID LABEL		1	C
	85	LV44938-001A	WINDOWS LABEL		1	
	86	LV22425-007A	SLEEVE ASSY		1	
	87	LV37151-006A	SUPPORT BKT		2	
	88	QYSSSP5008ZA	SCREW	M5 x 8mm	4	
	89	QYSDSP2603ZA	SCREW	M2.6 x 3mm	4	
	90	LV37518-001A	TRANSPORT BKT		2	
	91	QYSDSP5008ZA	SCREW	M5 x 8mm	4	
	92	LV37825-004A	REG. IC BKT		1	
	93	LV43967-001A	IC BRACKET(POW)		1	
△	94	QMFZ064-100-J1	FUSE	10A	1	
	95	LV36554-002A	CONNECTOR BKT		1	
	96	CB-NT30NAVED	NAVI BOARD ASSY		1	A
	96	CB-NT30NAVJD	NAVI BOARD ASSY		1	B
	96	CB-NT50NAVJD	NAVI BOARD ASSY		1	C
	97	LVA10808-01AD	BT ANT BOARD ASSY		1	

DVD mechanism assembly

FMU-XD5-21D

Block No.MJMM



- Grease
- ★ = JVG-31N
 - = JVS-1003
 - ▲ = CFD-006ZR
 - = JC-803B
 - = 1401C
 - ▽ = G332

The parts without symbol number are not service.

MODEL	MARK	MODEL	MARK	MODEL	MARK
KW-NT30E	A	KW-NT30HDJ	B	KW-NT50HDTJ	C

Safe	Symbol No.	Parts No.	Parts Name	Description	QTY	Local
------	------------	-----------	------------	-------------	-----	-------

DVD mechanism (FMU-XD5-21D) <MJMM>

1		LV11434-010A	FRAME UNIT		1	A,B,C
2		LV45021-001A	STOPPER		1	A,B,C
3		LV44959-002A	SPECIAL SCREW		1	A,B,C
4		LV45249-002A	L A SPRING(R) 2		1	A,B,C
5		LV37639-002A	L ARM HOLDER		1	A,B,C
6		VKZ4539-054	MINI SCREW		2	A,B,C
7		LV37640-001A	DAMPER(R)		1	A,B,C
8		LV37641-001A	DAMPER(F)		2	A,B,C
9		LV45074-001A	DAMPER SPRING B		2	A,B,C
10		LV45073-001A	DAMPER SPRING A		1	A,B,C
11		LV44897-002A	FLOATING SPRING		1	A,B,C
12		LV44894-001A	LOCK SLIDER SPR		1	A,B,C
13		LV11436-001A	MOTOR HOLDER		1	A,B,C
14		LV45135-001A	MINI TAP SCREW		2	A,B,C
15		QAR0465-001	LOADING MOTOR		1	A,B,C
16		QYSPSPU1425MA	SCREW	M1.4 x 2.5mm	2	A,B,C
17		LV37642-001A	MOTOR TH SPRING		1	A,B,C
18		LV37643-002A	MOTOR WORM GEAR		1	A,B,C
19		LV37644-002A	M WHEEL GEAR		1	A,B,C
20		LV37645-002A	M CONNECT GEAR		1	A,B,C
21		LV37646-001A	A WORM GEAR		1	A,B,C
22		LV37647-001A	A WHEEL GEAR		1	A,B,C
23		LV37648-001A	ACT GEAR		1	A,B,C
24		LV37649-001A	A CONNECT GAER		1	A,B,C
25		LV37650-001A	LOAD GAER		1	A,B,C
26		LV22553-003A	GEAR BASE		1	A,B,C
27		VKZ4539-054	MINI SCREW		2	A,B,C
28		LV37688-002A	SLIDE CAM ASSY		1	A,B,C
29		LV45090-001A	S.CAM SPRING		1	A,B,C
30		LV11437-003A	TOP COVER		1	A,B,C
31		LV45157-001A	SPACER		1	A,B,C
32		LV11600-001A	DISC PLATE 2		1	A,B,C
33		WJM0515-001A-E	E-SI C WIRE C-F		1	A,B,C
34		LV44586-001A	SPECIAL SCREW		1	A,B,C
35		LV22735-001A	LOADING A AS 2		1	A,B,C
36		LV44902-002A	ROLLER		2	A,B,C
37		LV45244-001A	ROLLER SHAFT 2		1	A,B,C
38		LV37652-002A	SHAFT GUIDE		1	A,B,C
39		LV45252-001A	WASHER		2	A,B,C
40		LV44960-001A	SLIT WASHER		2	A,B,C
41		LV44904-001A	ROLLER COLLAR L		1	A,B,C
42		LV45221-001A	R. COLLAR R2		1	A,B,C
43		LV45235-001A	L ARM ROD		1	A,B,C
44		LV37653-001A	CONNECT GEAR		1	A,B,C
45		LV37654-001A	MIDDLE GEAR		1	A,B,C
46		QYWDL1735250	SLIT WASHER	3.5mm/1.7mm x 0.25mm	1	A,B,C
47		LV37655-001A	ROLLER GAER		1	A,B,C
48		LV45248-001A	L A SPRING(L) 2		1	A,B,C
49		VKZ4539-054	MINI SCREW		5	A,B,C
50		CM-FMUXD5D	TRA MECHA UNIT		1	A,B,C
51		LV44910-002A	CLAMPER SPRING		1	A,B,C
52		LV45289-002A	SPACER(P)		1	A,B,C
53		VKZ4539-054	MINI SCREW		2	A,B,C

Electrical parts list Main board <01>

IC101		SAF7741HV/N125	IC		1	
IC151		TEF7000HN/V2	IC		1	
IC151	or	TEF7000HN/V2S	IC		1	
IC171		TEF7000HN/V2	IC		1	
IC171	or	TEF7000HN/V2S	IC		1	
IC201		JVM513B	IC(MCU)		1	A
IC201		JVM512B	IC(MCU)		1	B,C
IC202		S-80828CNNB-G-W	IC		1	
IC203		R1EX24032ASAA-X	IC		1	
IC231		TB2926CHQ	IC		1	
IC251		BD3461FS-X	IC		1	
IC252		NJM4580E-X	IC		1	
IC291		R2S25400DS-E	IC		1	
IC292		NJM2871BF33-X	IC		1	
IC293		RSQ030P03-W	MOS FET		1	
IC294		BA05CC0WFP-X	IC		1	
IC295		NJM2855DL1-18-X	IC		1	
IC296		NJM2871BF05-X	IC		1	
IC297		NJM2855DL1-33-X	IC		1	B,C
IC751		NAL0066-001X	GYRO SENSOR		1	
Q2301		RT1N441C-X	TRANSISTOR		1	
Q2302		2SC1623A/5-6/-X	TRANSISTOR		1	
Q2431		INC2002AC1-X	TRANSISTOR		1	
Q2431	or	2SD2114K/VW/-X	TRANSISTOR		1	
Q2441		IMX9-W	PAIR TRANSISTOR		1	
Q2445		IMX9-W	PAIR TRANSISTOR		1	
Q2601		2SA812A/5-6/-X	TRANSISTOR		1	
Q2602		2SA812A/5-6/-X	TRANSISTOR		1	
Q2603		2SA812A/5-6/-X	TRANSISTOR		1	
Q2604		2SA812A/5-6/-X	TRANSISTOR		1	
Q2604	or	ISA1530AC1/QR/X	TRANSISTOR		1	
Q2605		RT1N141C-X	DIGI TRANSISTOR		1	
Q2622		RT1N141C-X	DIGI TRANSISTOR		1	
Q2623		2SC1623A/5-6/-X	TRANSISTOR		1	
Q2801		RT1N441C-X	TRANSISTOR		1	
Q2802		RT1N441C-X	TRANSISTOR		1	
Q2803		RT1N141C-X	DIGI TRANSISTOR		1	
Q2901		RT2N03M-X	DIGI TRANSISTOR		1	

MODEL	MARK	MODEL	MARK	MODEL	MARK
KW-NT30E	A	KW-NT30HDJ	B	KW-NT50HDTJ	C

Safe	Symbol No.	Parts No.	Parts Name	Description	QTY	Local
	Q2902	RT2P03M-X	DIGI TRANSISTOR		1	
	Q2905	2SA812A/5-6/-X	TRANSISTOR		1	
	Q2941	RT1N441C-X	TRANSISTOR		1	
	D1801	1SS390-X	SI DIODE		1	
	D1802	1SS390-X	SI DIODE		1	
	D2095	DA2J101-X	SI DIODE		1	
	D2401	MC2836-X	DIODE		1	
	D2402	MC2836-X	DIODE		1	
	D2601	MC2836-X	DIODE		1	
	D2602	DA2J101-X	SI DIODE		1	
	D2603	RKZ10B2KG-X	Z DIODE		1	
	D2622	DA2J101-X	SI DIODE		1	
	D2801	DA2J101-X	SI DIODE		1	
	D2901	1N5402-BPC04	SI DIODE		1	
	D2902	RB160M-60-X	SB DIODE		1	B,C
	D2903	RB160M-60-X	SB DIODE		1	B,C
	D2904	RB160M-60-X	SB DIODE		1	
	D2905	RB160M-60-X	SB DIODE		1	
	D2931	RB160M-60-X	SB DIODE		1	
	D2971	GS1J-LTP-X	DIODE		1	
	D2972	GS1J-LTP-X	DIODE		1	
	D2981	GS1J-LTP-X	DIODE		1	B,C
	C1001	NCB31CK-105X	C CAPACITOR	1uF 16V K	1	
	C1004	NDC31HJ-8R0X	C CAPACITOR	8pF 50V J	1	
	C1005	NDC31HJ-100X	C CAPACITOR	10pF 50V J	1	
	C1006	NCB31HK-103X	C CAPACITOR	0.01uF 50V K	1	
	C1007	NBE20JM-226X	TA E CAPACITOR	22uF 6.3V M	1	
	C1008	NCB31CK-105X	C CAPACITOR	1uF 16V K	1	
	C1010	NCB31CK-104X	C CAPACITOR	0.1uF 16V	1	
	C1012	NCB31CK-104X	C CAPACITOR	0.1uF 16V	1	
	C1013	NBE40JM-107X	TA E CAPACITOR	100uF 6.3V M	1	
	C1014	NBE40JM-107X	TA E CAPACITOR	100uF 6.3V M	1	
	C1015	NCB31CK-104X	C CAPACITOR	0.1uF 16V	1	
	C1016	NCB31CK-104X	C CAPACITOR	0.1uF 16V	1	
	C1017	NCB31HK-223X	C CAPACITOR	0.022uF 50V K	1	
	C1020	NDC31HJ-471X	C CAPACITOR	470pF 50V J	1	
	C1022	QETN1AM-227Z	E CAPACITOR	220uF 10V M	1	
	C1023	NCJ11EK-106X-R	C CAPACITOR	10uF 25V	1	
	C1024	NCB31CK-104X	C CAPACITOR	0.1uF 16V	1	
	C1026	NCB31HK-104X	C CAPACITOR	0.1uF 50V K	1	
	C1027	NCB31CK-104X	C CAPACITOR	0.1uF 16V	1	
	C1028	NCB31HK-223X	C CAPACITOR	0.022uF 50V K	1	
	C1029	NCB31HK-223X	C CAPACITOR	0.022uF 50V K	1	
	C1030	NCJ11EK-106X-R	C CAPACITOR	10uF 25V	1	
	C1031	NCB31CK-104X	C CAPACITOR	0.1uF 16V	1	
	C1032	NCB31HK-223X	C CAPACITOR	0.022uF 50V K	1	
	C1033	NCB31CK-104X	C CAPACITOR	0.1uF 16V	1	
	C1034	NBE40JM-107X	TA E CAPACITOR	100uF 6.3V M	1	
	C1035	NCB31CK-104X	C CAPACITOR	0.1uF 16V	1	
	C1036	NDC31HJ-101X	C CAPACITOR	100pF 50V J	1	
	C1037	NCB31CK-105X	C CAPACITOR	1uF 16V K	1	
	C1039	NCB31CK-105X	C CAPACITOR	1uF 16V K	1	
	C1041	NCB31CK-105X	C CAPACITOR	1uF 16V K	1	
	C1051	NCB31CK-104X	C CAPACITOR	0.1uF 16V	1	
	C1052	NCB31CK-104X	C CAPACITOR	0.1uF 16V	1	
	C1053	NCB31HK-332X	C CAPACITOR	3300pF 50V K	1	
	C1054	NCB31HK-332X	C CAPACITOR	3300pF 50V K	1	
	C1111	NCB31CK-105X	C CAPACITOR	1uF 16V K	1	
	C1112	NCB31CK-105X	C CAPACITOR	1uF 16V K	1	
	C1113	NCB31CK-105X	C CAPACITOR	1uF 16V K	1	
	C1114	NDC31HJ-181X	C CAPACITOR	180pF 50V J	1	
	C1115	NDC31HJ-331X	C CAPACITOR	330pF 50V J	1	
	C1116	NDC31HJ-391X	C CAPACITOR	390pF 50V J	1	
	C1118	NDC31HJ-821X	C CAPACITOR	820pF 50V J	1	
	C1121	NCB31CK-105X	C CAPACITOR	1uF 16V K	1	
	C1122	NCB31CK-105X	C CAPACITOR	1uF 16V K	1	
	C1123	NCB31CK-105X	C CAPACITOR	1uF 16V K	1	
	C1124	NDC31HJ-181X	C CAPACITOR	180pF 50V J	1	
	C1125	NDC31HJ-331X	C CAPACITOR	330pF 50V J	1	
	C1126	NDC31HJ-391X	C CAPACITOR	390pF 50V J	1	
	C1131	NBE20JM-476X	TA E CAPACITOR	47uF 6.3V M	1	
	C1132	NBE20JM-476X	TA E CAPACITOR	47uF 6.3V M	1	
	C1134	NDC31HJ-821X	C CAPACITOR	820pF 50V J	1	
	C1135	NDC31HJ-222X	C CAPACITOR	2200pF 50V J	1	
	C1227	NDC31HJ-821X	C CAPACITOR	820pF 50V J	1	
	C1506	NCB31HK-102X	C CAPACITOR	1000pF 50V K	1	
	C1507	NCB31HK-102X	C CAPACITOR	1000pF 50V K	1	
	C1509	NCB31HK-102X	C CAPACITOR	1000pF 50V K	1	
	C1511	NCB31HK-392X	C CAPACITOR	3900pF 50V K	1	
	C1513	NCB31HK-103X	C CAPACITOR	0.01uF 50V K	1	
	C1514	NCB31HK-103X	C CAPACITOR	0.01uF 50V K	1	
	C1521	NCB31HK-223X	C CAPACITOR	0.022uF 50V K	1	
	C1522	NCB31HK-223X	C CAPACITOR	0.022uF 50V K	1	
	C1523	NCB31HK-223X	C CAPACITOR	0.022uF 50V K	1	
	C1524	NCB31HK-223X	C CAPACITOR	0.022uF 50V K	1	
	C1537	NCB31CK-224X	C CAPACITOR	0.22uF 16V K	1	
	C1538	NCB31HK-223X	C CAPACITOR	0.022uF 50V K	1	
	C1539	NCB31HK-102X	C CAPACITOR	1000pF 50V K	1	
	C1543	NCB31HK-223X	C CAPACITOR	0.022uF 50V K	1	
	C1544	NCB31HK-331X	C CAPACITOR	330pF 50V K	1	
	C1545	NDC31HJ-2R0X	C CAPACITOR	2pF 50V J	1	
	C1547	NDC31HJ-3R3X	C CAPACITOR	3.3pF 50V J	1	

MODEL	MARK	MODEL	MARK	MODEL	MARK
KW-NT30E	A	KW-NT30HDJ	B	KW-NT50HDTJ	C

Safe	Symbol No.	Parts No.	Parts Name	Description	QTY	Local
	C1548	NDC31HJ-3R3X	C CAPACITOR	3.3pF 50V J	1	
	C1601	NCB31CK-104X	C CAPACITOR	0.1uF 16V	1	A
	C1601	NCB31HK-102X	C CAPACITOR	1000pF 50V K	1	B,C
	C1602	NDC31HJ-4R0X	C CAPACITOR	4pF 50V J	1	
	C1603	NDC31HJ-120X	C CAPACITOR	12pF 50V J	1	
	C1604	NDC31HJ-3R3X	C CAPACITOR	3.3pF 50V J	1	
	C1706	NCB31HK-102X	C CAPACITOR	1000pF 50V K	1	
	C1707	NCB31HK-102X	C CAPACITOR	1000pF 50V K	1	
	C1711	NCB31HK-392X	C CAPACITOR	3900pF 50V K	1	
	C1713	NCB31HK-103X	C CAPACITOR	0.01uF 50V K	1	
	C1714	NCB31HK-103X	C CAPACITOR	0.01uF 50V K	1	
	C1721	NCB31HK-223X	C CAPACITOR	0.022uF 50V K	1	
	C1722	NCB31HK-223X	C CAPACITOR	0.022uF 50V K	1	
	C1723	NCB31HK-223X	C CAPACITOR	0.022uF 50V K	1	
	C1724	NCB31HK-223X	C CAPACITOR	0.022uF 50V K	1	
	C1737	NCB31CK-224X	C CAPACITOR	0.22uF 16V K	1	
	C1738	NCB31HK-223X	C CAPACITOR	0.022uF 50V K	1	
	C1739	NCB31HK-102X	C CAPACITOR	1000pF 50V K	1	
	C1743	NCB31HK-223X	C CAPACITOR	0.022uF 50V K	1	
	C1744	NCB31HK-332X	C CAPACITOR	3300pF 50V K	1	
	C1745	NDC31HJ-2R0X	C CAPACITOR	2pF 50V J	1	
	C1747	NCB31HK-102X	C CAPACITOR	1000pF 50V K	1	
	C1748	NCB31HK-102X	C CAPACITOR	1000pF 50V K	1	
	C1801	NDC31HJ-150X	C CAPACITOR	15pF 50V J	1	
	C1802	NDC31HJ-220X	C CAPACITOR	22pF 50V J	1	
	C1803	NDC31HJ-221X	C CAPACITOR	220pF 50V J	1	
	C1804	NCB31HK-102X	C CAPACITOR	1000pF 50V K	1	
	C2010	NDC31HJ-120X	C CAPACITOR	12pF 50V J	1	
	C2011	NDC31HJ-120X	C CAPACITOR	12pF 50V J	1	
	C2012	NCB31CK-104X	C CAPACITOR	0.1uF 16V	1	
	C2013	NDC31HJ-120X	C CAPACITOR	12pF 50V J	1	
	C2014	NDC31HJ-100X	C CAPACITOR	10pF 50V J	1	
	C2062	NCB31CK-104X	C CAPACITOR	0.1uF 16V	1	
	C2095	NCB31CK-104X	C CAPACITOR	0.1uF 16V	1	
	C2097	NDC31HJ-222X	C CAPACITOR	2200pF 50V J	1	
	C2099	NCB31CK-104X	C CAPACITOR	0.1uF 16V	1	
	C2301	QETN1HM-226Z	E CAPACITOR	22uF 50V M	1	
	C2302	NDC31HJ-471X	C CAPACITOR	470pF 50V J	1	
	C2304	NDC31HJ-470X	C CAPACITOR	47pF 50V J	1	
	C2305	QETN1EM-476Z	E CAPACITOR	47uF 25V M	1	
	C2306	NDC31HJ-470X	C CAPACITOR	47pF 50V J	1	
	C2308	QEKJ1HM-225Z	E CAPACITOR	2.2uF 50V M	1	
	C2309	QEKJ1HM-106Z	E CAPACITOR	10uF 50V M	1	
	C2310	NDC31HJ-470X	C CAPACITOR	47pF 50V J	1	
	C2312	NDC31HJ-470X	C CAPACITOR	47pF 50V J	1	
	C2314	QFVD1HJ-104Z	MF CAPACITOR	0.1uF 50V J	1	
	C2315	NDC31HJ-470X	C CAPACITOR	47pF 50V J	1	
	C2317	NCB31HK-104X	C CAPACITOR	0.1uF 50V K	1	
	C2319	NDC31HJ-470X	C CAPACITOR	47pF 50V J	1	
	C2320	QEKJ1HM-225Z	E CAPACITOR	2.2uF 50V M	1	
	C2341	NDC31HJ-470X	C CAPACITOR	47pF 50V J	1	
	C2342	QFVD1HJ-474Z	MF CAPACITOR	0.47uF 50V J	1	
	C2343	NDC31HJ-470X	C CAPACITOR	47pF 50V J	1	
	C2345	NDC31HJ-470X	C CAPACITOR	47pF 50V J	1	
	C2348	NDC31HJ-470X	C CAPACITOR	47pF 50V J	1	
	C2351	NDC31HJ-470X	C CAPACITOR	47pF 50V J	1	
	C2352	QFVD1HJ-474Z	MF CAPACITOR	0.47uF 50V J	1	
	C2353	NDC31HJ-470X	C CAPACITOR	47pF 50V J	1	
	C2355	NDC31HJ-470X	C CAPACITOR	47pF 50V J	1	
	C2358	NDC31HJ-470X	C CAPACITOR	47pF 50V J	1	
	C2361	NDC31HJ-470X	C CAPACITOR	47pF 50V J	1	
	C2362	QFVD1HJ-474Z	MF CAPACITOR	0.47uF 50V J	1	
	C2363	NDC31HJ-470X	C CAPACITOR	47pF 50V J	1	
	C2365	NDC31HJ-470X	C CAPACITOR	47pF 50V J	1	
	C2367	NDC31HJ-470X	C CAPACITOR	47pF 50V J	1	
	C2371	NDC31HJ-470X	C CAPACITOR	47pF 50V J	1	
	C2372	QFVD1HJ-474Z	MF CAPACITOR	0.47uF 50V J	1	
	C2373	NDC31HJ-470X	C CAPACITOR	47pF 50V J	1	
	C2375	NDC31HJ-470X	C CAPACITOR	47pF 50V J	1	
	C2377	NDC31HJ-470X	C CAPACITOR	47pF 50V J	1	
	C2391	NDC31HJ-101X	C CAPACITOR	100pF 50V J	1	
	C2392	NDC31HJ-101X	C CAPACITOR	100pF 50V J	1	
	C2393	NDC31HJ-101X	C CAPACITOR	100pF 50V J	1	
	C2394	NDC31HJ-101X	C CAPACITOR	100pF 50V J	1	
	C2395	NDC31HJ-101X	C CAPACITOR	100pF 50V J	1	
	C2396	NDC31HJ-101X	C CAPACITOR	100pF 50V J	1	
	C2397	NDC31HJ-101X	C CAPACITOR	100pF 50V J	1	
	C2398	NDC31HJ-101X	C CAPACITOR	100pF 50V J	1	
	C2403	NCB31HK-223X	C CAPACITOR	0.022uF 50V K	1	
	C2404	NCB31CK-104X	C CAPACITOR	0.1uF 16V	1	
	C2431	QETN1HM-106Z	E CAPACITOR	10uF 50V M	1	
	C2434	NDC31HJ-101X	C CAPACITOR	100pF 50V J	1	
	C2441	QEKJ1HM-475Z	E CAPACITOR	4.7uF 50V M	1	
	C2442	NDC31HJ-101X	C CAPACITOR	100pF 50V J	1	
	C2443	NDC31HJ-470X	C CAPACITOR	47pF 50V J	1	
	C2444	NDC31HJ-101X	C CAPACITOR	100pF 50V J	1	
	C2451	QEKJ1HM-475Z	E CAPACITOR	4.7uF 50V M	1	
	C2452	NDC31HJ-101X	C CAPACITOR	100pF 50V J	1	
	C2453	NDC31HJ-470X	C CAPACITOR	47pF 50V J	1	
	C2454	NDC31HJ-101X	C CAPACITOR	100pF 50V J	1	
	C2461	QEKJ1HM-475Z	E CAPACITOR	4.7uF 50V M	1	
	C2462	NDC31HJ-101X	C CAPACITOR	100pF 50V J	1	

MODEL	MARK	MODEL	MARK	MODEL	MARK
KW-NT30E	A	KW-NT30HDJ	B	KW-NT50HDTJ	C

Safe	Symbol No.	Parts No.	Parts Name	Description	QTY	Local
	C2463	NDC31HJ-470X	C CAPACITOR	47pF 50V J	1	
	C2464	NDC31HJ-101X	C CAPACITOR	100pF 50V J	1	
	C2471	QEKJ1HM-475Z	E CAPACITOR	4.7uF 50V M	1	
	C2472	NDC31HJ-101X	C CAPACITOR	100pF 50V J	1	
	C2473	NDC31HJ-470X	C CAPACITOR	47pF 50V J	1	
	C2474	NDC31HJ-101X	C CAPACITOR	100pF 50V J	1	
	C2501	QETN1CM-107Z	E CAPACITOR	100uF 16V M	1	
	C2502	QETN1CM-107Z	E CAPACITOR	100uF 16V M	1	
	C2503	NDC31HJ-101X	C CAPACITOR	100pF 50V J	1	
	C2504	QETN1HM-106Z	E CAPACITOR	10uF 50V M	1	
	C2511	QETN1HM-106Z	E CAPACITOR	10uF 50V M	1	
	C2512	NDC31HJ-121X	C CAPACITOR	120pF 50V J	1	
	C2513	NDC31HJ-821X	C CAPACITOR	820pF 50V J	1	
	C2515	QETN1CM-107Z	E CAPACITOR	100uF 16V M	1	
	C2516	QEKJ1HM-106Z	E CAPACITOR	10uF 50V M	1	
	C2521	QETN1HM-106Z	E CAPACITOR	10uF 50V M	1	
	C2522	NDC31HJ-121X	C CAPACITOR	120pF 50V J	1	
	C2523	NDC31HJ-821X	C CAPACITOR	820pF 50V J	1	
	C2525	QETN1CM-107Z	E CAPACITOR	100uF 16V M	1	
	C2526	QEKJ1HM-106Z	E CAPACITOR	10uF 50V M	1	
	C2531	QEKJ1HM-106Z	E CAPACITOR	10uF 50V M	1	
	C2532	NCB31CK-474X	C CAPACITOR	0.47uF 16V K	1	
	C2533	NCB31CK-474X	C CAPACITOR	0.47uF 16V K	1	
	C2534	NDC31HJ-101X	C CAPACITOR	100pF 50V J	1	
	C2535	NCB31CK-474X	C CAPACITOR	0.47uF 16V K	1	
	C2604	QETN1CM-107Z	E CAPACITOR	100uF 16V M	1	
	C2605	QETN1CM-107Z	E CAPACITOR	100uF 16V M	1	
	C2622	NCB31CK-105X	C CAPACITOR	1uF 16V K	1	
	C2623	QETN1HM-226Z	E CAPACITOR	22uF 50V M	1	
	C2655	NCB31HK-103X	C CAPACITOR	0.01uF 50V K	1	
	C2656	NCB31CK-105X	C CAPACITOR	1uF 16V K	1	
	C2657	QETN1CM-107Z	E CAPACITOR	100uF 16V M	1	
	C2658	QETN1HM-106Z	E CAPACITOR	10uF 50V M	1	
	C2801	QETN1AM-227Z	E CAPACITOR	220uF 10V M	1	
	C2802	NCB31CK-104X	C CAPACITOR	0.1uF 16V	1	
	C2803	NCB31EK-473X	C CAPACITOR	0.047uF 25V K	1	
	C2804	NCB31EK-473X	C CAPACITOR	0.047uF 25V K	1	
	C2805	NCB31CK-104X	C CAPACITOR	0.1uF 16V	1	
	C2806	NCB31HK-103X	C CAPACITOR	0.01uF 50V K	1	
	C2807	NCB31CK-105X	C CAPACITOR	1uF 16V K	1	
	C2901	QEZ0769-278	E CAPACITOR	2700uF	1	
	C2902	QEKJ1HM-225Z	E CAPACITOR	2.2uF 50V M	1	
	C2903	QEKJ1HM-225Z	E CAPACITOR	2.2uF 50V M	1	
	C2904	QETN1EM-476Z	E CAPACITOR	47uF 25V M	1	
	C2905	QETN1HM-106Z	E CAPACITOR	10uF 50V M	1	
	C2906	QETN1EM-476Z	E CAPACITOR	47uF 25V M	1	
	C2907	QETN1CM-107Z	E CAPACITOR	100uF 16V M	1	
	C2908	NCB31CK-104X	C CAPACITOR	0.1uF 16V	1	
	C2909	NCB31CK-104X	C CAPACITOR	0.1uF 16V	1	
	C2910	QETN1HM-106Z	E CAPACITOR	10uF 50V M	1	
	C2911	NCB31HK-104X	C CAPACITOR	0.1uF 50V K	1	B,C
	C2912	QETN1HM-106Z	E CAPACITOR	10uF 50V M	1	
	C2913	NCB31HK-104X	C CAPACITOR	0.1uF 50V K	1	B,C
	C2914	NCB31HK-104X	C CAPACITOR	0.1uF 50V K	1	
	C2915	QETN1CM-108Z	E CAPACITOR	1000uF 16V M	1	
	C2931	QETN1EM-476Z	E CAPACITOR	47uF 25V M	1	
	C2932	QETN1EM-476Z	E CAPACITOR	47uF 25V M	1	
	C2933	NCB31CK-104X	C CAPACITOR	0.1uF 16V	1	
	C2934	NCB31HK-103X	C CAPACITOR	0.01uF 50V K	1	
	C2971	NCB31HK-104X	C CAPACITOR	0.1uF 50V K	1	
	C2972	QETN1HM-226Z	E CAPACITOR	22uF 50V M	1	
	C2973	NCB31HK-104X	C CAPACITOR	0.1uF 50V K	1	
	C2978	NCB31CK-104X	C CAPACITOR	0.1uF 16V	1	
	C2979	NCB31CK-104X	C CAPACITOR	0.1uF 16V	1	
	C2980	QEKJ1CM-476Z	E CAPACITOR	47uF 16V M	1	
	C2981	NCB31CK-104X	C CAPACITOR	0.1uF 16V	1	B,C
	C2982	NCB31CK-104X	C CAPACITOR	0.1uF 16V	1	B,C
	C7511	NCB31CK-104X	C CAPACITOR	0.1uF 16V	1	
	C7512	NDC31HJ-101X	C CAPACITOR	100pF 50V J	1	
	R1001	NRSA63J-220X	MG RESISTOR	22Ω 1/16W J	1	
	R1002	NRSA63J-101X	MG RESISTOR	100Ω 1/16W J	1	
	R1003	NRSA63J-100X	MG RESISTOR	10Ω 1/16W J	1	
	R1004	NRSA63J-102X	MG RESISTOR	1kΩ 1/16W J	1	
	R1005	NRSA63J-103X	MG RESISTOR	10kΩ 1/16W J	1	
	R1006	NRSA63J-101X	MG RESISTOR	100Ω 1/16W J	1	
	R1007	NRSA63J-101X	MG RESISTOR	100Ω 1/16W J	1	
	R1010	NRSA63J-102X	MG RESISTOR	1kΩ 1/16W J	1	
	R1011	NRSA63J-102X	MG RESISTOR	1kΩ 1/16W J	1	
	R1012	NRSA63J-102X	MG RESISTOR	1kΩ 1/16W J	1	
	R1013	NRSA63J-101X	MG RESISTOR	100Ω 1/16W J	1	
	R1014	NRSA63J-101X	MG RESISTOR	100Ω 1/16W J	1	
	R1015	NRSA63J-101X	MG RESISTOR	100Ω 1/16W J	1	
	R1016	NRSA63J-101X	MG RESISTOR	100Ω 1/16W J	1	
	R1017	NRSA63J-101X	MG RESISTOR	100Ω 1/16W J	1	
	R1018	NRSA63J-101X	MG RESISTOR	100Ω 1/16W J	1	
	R1019	NRSA63J-101X	MG RESISTOR	100Ω 1/16W J	1	
	R1020	NRSA63J-101X	MG RESISTOR	100Ω 1/16W J	1	
	R1021	NRSA63J-103X	MG RESISTOR	10kΩ 1/16W J	1	
	R1022	NRSA63J-103X	MG RESISTOR	10kΩ 1/16W J	1	
	R1023	NRSA63J-103X	MG RESISTOR	10kΩ 1/16W J	1	
	R1024	NRSA63J-103X	MG RESISTOR	10kΩ 1/16W J	1	
	R1025	NRSA63J-103X	MG RESISTOR	10kΩ 1/16W J	1	
	R1026	NRSA63J-103X	MG RESISTOR	10kΩ 1/16W J	1	

MODEL	MARK	MODEL	MARK	MODEL	MARK
KW-NT30E	A	KW-NT30HDJ	B	KW-NT50HDTJ	C

Safe	Symbol No.	Parts No.	Parts Name	Description	QTY	Local
	R1027	NRSA63J-472X	MG RESISTOR	4.7kΩ 1/16W J	1	
	R1029	NRSA63J-100X	MG RESISTOR	10Ω 1/16W J	1	
	R1053	NRSA63J-101X	MG RESISTOR	100Ω 1/16W J	1	B,C
	R1055	NRSA63J-472X	MG RESISTOR	4.7kΩ 1/16W J	1	B,C
	R1056	NRSA63J-102X	MG RESISTOR	1kΩ 1/16W J	1	
	R1057	NRSA63J-102X	MG RESISTOR	1kΩ 1/16W J	1	
	R1058	NRSA63J-102X	MG RESISTOR	1kΩ 1/16W J	1	
	R1059	NRSA63J-101X	MG RESISTOR	100Ω 1/16W J	1	B,C
	R1060	NRSA63J-101X	MG RESISTOR	100Ω 1/16W J	1	B,C
	R1071	NRSA63J-101X	MG RESISTOR	100Ω 1/16W J	1	A
	R1072	NRSA63J-101X	MG RESISTOR	100Ω 1/16W J	1	A
	R1073	NRSA63J-101X	MG RESISTOR	100Ω 1/16W J	1	A
	R1074	NRSA63J-101X	MG RESISTOR	100Ω 1/16W J	1	A
	R1075	NRSA63J-103X	MG RESISTOR	10kΩ 1/16W J	1	A
	R1075	NRSA63J-473X	MG RESISTOR	47kΩ 1/16W J	1	B,C
	R1076	NRSA63J-103X	MG RESISTOR	10kΩ 1/16W J	1	A
	R1076	NRSA63J-473X	MG RESISTOR	47kΩ 1/16W J	1	B,C
	R1077	NRSA63J-103X	MG RESISTOR	10kΩ 1/16W J	1	A
	R1111	NRSA63J-223X	MG RESISTOR	22kΩ 1/16W J	1	
	R1112	NRSA63J-183X	MG RESISTOR	18kΩ 1/16W J	1	
	R1113	NRSA63J-123X	MG RESISTOR	12kΩ 1/16W J	1	
	R1114	NRSA63J-153X	MG RESISTOR	15kΩ 1/16W J	1	
	R1115	NRSA63J-103X	MG RESISTOR	10kΩ 1/16W J	1	
	R1116	NRSA63J-822X	MG RESISTOR	8.2kΩ 1/16W J	1	
	R1121	NRSA63J-223X	MG RESISTOR	22kΩ 1/16W J	1	
	R1122	NRSA63J-183X	MG RESISTOR	18kΩ 1/16W J	1	
	R1123	NRSA63J-123X	MG RESISTOR	12kΩ 1/16W J	1	
	R1124	NRSA63J-153X	MG RESISTOR	15kΩ 1/16W J	1	
	R1125	NRSA63J-103X	MG RESISTOR	10kΩ 1/16W J	1	
	R1126	NRSA63J-822X	MG RESISTOR	8.2kΩ 1/16W J	1	
	R1131	NRSA63J-101X	MG RESISTOR	100Ω 1/16W J	1	
	R1132	NRSA63J-100X	MG RESISTOR	10Ω 1/16W J	1	
	R1133	NRSA63J-473X	MG RESISTOR	47kΩ 1/16W J	1	
	R1135	NRSA63J-473X	MG RESISTOR	47kΩ 1/16W J	1	
	R1528	NRSA63J-181X	MG RESISTOR	180Ω 1/16W J	1	
	R1529	NRSA63J-181X	MG RESISTOR	180Ω 1/16W J	1	
	R1531	NRSA63J-101X	MG RESISTOR	100Ω 1/16W J	1	
	R1532	NRSA63J-101X	MG RESISTOR	100Ω 1/16W J	1	
	R1543	NRSA63J-392X	MG RESISTOR	3.9kΩ 1/16W J	1	
	R1544	NRSA63J-223X	MG RESISTOR	22kΩ 1/16W J	1	
	R1601	NRSA63J-684X	MG RESISTOR	680kΩ 1/16W J	1	A
	R1601	NRSA63J-474X	MG RESISTOR	470kΩ 1/16W J	1	B,C
	R1602	NRSA63J-684X	MG RESISTOR	680kΩ 1/16W J	1	A
	R1602	NRSA63J-474X	MG RESISTOR	470kΩ 1/16W J	1	B,C
	R1603	NRSA63J-560X	MG RESISTOR	56Ω 1/16W J	1	
	R1728	NRSA63J-181X	MG RESISTOR	180Ω 1/16W J	1	
	R1729	NRSA63J-181X	MG RESISTOR	180Ω 1/16W J	1	
	R1731	NRSA63J-101X	MG RESISTOR	100Ω 1/16W J	1	
	R1732	NRSA63J-101X	MG RESISTOR	100Ω 1/16W J	1	
	R1743	NRSA63J-392X	MG RESISTOR	3.9kΩ 1/16W J	1	
	R1745	NRSA63J-223X	MG RESISTOR	22kΩ 1/16W J	1	
	R1801	NRSA63J-331X	MG RESISTOR	330Ω 1/16W J	1	
	R1802	NRSA63J-181X	MG RESISTOR	180Ω 1/16W J	1	
	R2001	NRSA63J-101X	MG RESISTOR	100Ω 1/16W J	1	
	R2002	NRSA63J-102X	MG RESISTOR	1kΩ 1/16W J	1	
	R2003	NRSA63J-102X	MG RESISTOR	1kΩ 1/16W J	1	
	R2004	NRSA63J-102X	MG RESISTOR	1kΩ 1/16W J	1	
	R2005	NRSA63J-101X	MG RESISTOR	100Ω 1/16W J	1	
	R2006	NRSA63J-102X	MG RESISTOR	1kΩ 1/16W J	1	
	R2007	NRSA63J-101X	MG RESISTOR	100Ω 1/16W J	1	
	R2009	NRSA63J-101X	MG RESISTOR	100Ω 1/16W J	1	
	R2011	NRSA63J-0R0X	MG RESISTOR	0Ω 1/10W J	1	
	R2012	NRSA63J-101X	MG RESISTOR	100Ω 1/16W J	1	
	R2013	NRSA63J-0R0X	MG RESISTOR	0Ω 1/10W J	1	
	R2019	NRSA63J-102X	MG RESISTOR	1kΩ 1/16W J	1	
	R2020	NRSA63J-102X	MG RESISTOR	1kΩ 1/16W J	1	
	R2021	NRSA63J-102X	MG RESISTOR	1kΩ 1/16W J	1	
	R2022	NRSA63J-102X	MG RESISTOR	1kΩ 1/16W J	1	
	R2023	NRSA63J-101X	MG RESISTOR	100Ω 1/16W J	1	
	R2024	NRSA63J-101X	MG RESISTOR	100Ω 1/16W J	1	
	R2025	NRSA63J-102X	MG RESISTOR	1kΩ 1/16W J	1	
	R2026	NRSA63J-102X	MG RESISTOR	1kΩ 1/16W J	1	
	R2027	NRSA63J-102X	MG RESISTOR	1kΩ 1/16W J	1	
	R2029	NRSA63J-102X	MG RESISTOR	1kΩ 1/16W J	1	
	R2030	NRSA63J-101X	MG RESISTOR	100Ω 1/16W J	1	
	R2031	NRSA63J-101X	MG RESISTOR	100Ω 1/16W J	1	
	R2032	NRSA63J-101X	MG RESISTOR	100Ω 1/16W J	1	
	R2033	NRSA63J-101X	MG RESISTOR	100Ω 1/16W J	1	
	R2034	NRSA63J-101X	MG RESISTOR	100Ω 1/16W J	1	
	R2035	NRSA63J-101X	MG RESISTOR	100Ω 1/16W J	1	
	R2036	NRSA63J-101X	MG RESISTOR	100Ω 1/16W J	1	
	R2038	NRSA63J-101X	MG RESISTOR	100Ω 1/16W J	1	
	R2039	NRSA63J-272X	MG RESISTOR	2.7kΩ 1/16W J	1	
	R2040	NRSA63J-102X	MG RESISTOR	1kΩ 1/16W J	1	
	R2041	NRSA63J-101X	MG RESISTOR	100Ω 1/16W J	1	
	R2042	NRSA63J-102X	MG RESISTOR	1kΩ 1/16W J	1	
	R2043	NRSA63J-102X	MG RESISTOR	1kΩ 1/16W J	1	
	R2044	NRSA63J-102X	MG RESISTOR	1kΩ 1/16W J	1	
	R2045	NRSA63J-102X	MG RESISTOR	1kΩ 1/16W J	1	
	R2046	NRSA63J-101X	MG RESISTOR	100Ω 1/16W J	1	
	R2047	NRSA63J-101X	MG RESISTOR	100Ω 1/16W J	1	
	R2048	NRSA63J-101X	MG RESISTOR	100Ω 1/16W J	1	

MODEL	MARK	MODEL	MARK	MODEL	MARK
KW-NT30E	A	KW-NT30HDJ	B	KW-NT50HDTJ	C

Safe	Symbol No.	Parts No.	Parts Name	Description	QTY	Local
	R2049	NRSA63J-101X	MG RESISTOR	100Ω 1/16W J	1	
	R2051	NRSA63J-102X	MG RESISTOR	1kΩ 1/16W J	1	B,C
	R2054	NRSA63J-102X	MG RESISTOR	1kΩ 1/16W J	1	
	R2055	NRSA63J-221X	MG RESISTOR	220Ω 1/16W J	1	
	R2056	NRSA63J-221X	MG RESISTOR	220Ω 1/16W J	1	
	R2057	NRSA63J-102X	MG RESISTOR	1kΩ 1/16W J	1	
	R2058	NRSA63J-103X	MG RESISTOR	10kΩ 1/16W J	1	
	R2059	NRSA63J-273X	MG RESISTOR	27kΩ 1/16W J	1	
	R2060	NRSA63J-102X	MG RESISTOR	1kΩ 1/16W J	1	
	R2061	NRSA63J-102X	MG RESISTOR	1kΩ 1/16W J	1	
	R2063	NRSA63J-101X	MG RESISTOR	100Ω 1/16W J	1	
	R2065	NRSA63J-101X	MG RESISTOR	100Ω 1/16W J	1	
	R2066	NRSA63J-102X	MG RESISTOR	1kΩ 1/16W J	1	
	R2068	NRSA63J-102X	MG RESISTOR	1kΩ 1/16W J	1	
	R2069	NRSA63J-102X	MG RESISTOR	1kΩ 1/16W J	1	
	R2070	NRSA63J-102X	MG RESISTOR	1kΩ 1/16W J	1	
	R2071	NRSA63J-102X	MG RESISTOR	1kΩ 1/16W J	1	
	R2072	NRSA63J-102X	MG RESISTOR	1kΩ 1/16W J	1	
	R2073	NRSA63J-101X	MG RESISTOR	100Ω 1/16W J	1	
	R2074	NRSA63J-101X	MG RESISTOR	100Ω 1/16W J	1	
	R2075	NRSA63J-102X	MG RESISTOR	1kΩ 1/16W J	1	
	R2076	NRSA63J-101X	MG RESISTOR	100Ω 1/16W J	1	
	R2077	NRSA63J-101X	MG RESISTOR	100Ω 1/16W J	1	B,C
	R2078	NRSA63J-101X	MG RESISTOR	100Ω 1/16W J	1	
	R2079	NRSA63J-101X	MG RESISTOR	100Ω 1/16W J	1	
	R2080	NRSA63J-102X	MG RESISTOR	1kΩ 1/16W J	1	
	R2081	NRSA63J-102X	MG RESISTOR	1kΩ 1/16W J	1	
	R2082	NRSA63J-102X	MG RESISTOR	1kΩ 1/16W J	1	
	R2084	NRSA63J-102X	MG RESISTOR	1kΩ 1/16W J	1	
	R2085	NRSA63J-102X	MG RESISTOR	1kΩ 1/16W J	1	
	R2086	NRSA63J-102X	MG RESISTOR	1kΩ 1/16W J	1	
	R2089	NRSA63J-103X	MG RESISTOR	10kΩ 1/16W J	1	
	R2090	NRSA63J-103X	MG RESISTOR	10kΩ 1/16W J	1	
	R2091	NRSA63J-101X	MG RESISTOR	100Ω 1/16W J	1	
	R2092	NRSA63J-101X	MG RESISTOR	100Ω 1/16W J	1	
	R2093	NRSA63J-102X	MG RESISTOR	1kΩ 1/16W J	1	
	R2094	NRSA63J-102X	MG RESISTOR	1kΩ 1/16W J	1	
	R2095	NRSA63J-102X	MG RESISTOR	1kΩ 1/16W J	1	
	R2097	NRSA63J-101X	MG RESISTOR	100Ω 1/16W J	1	
	R2100	NRSA63J-102X	MG RESISTOR	1kΩ 1/16W J	1	
	R2104	NRSA63J-473X	MG RESISTOR	47kΩ 1/16W J	1	
	R2111	NRSA63J-106X	MG RESISTOR	10MΩ 1/16W J	1	
	R2113	NRSA63J-106X	MG RESISTOR	10MΩ 1/16W J	1	
	R2117	NRSA63J-102X	MG RESISTOR	1kΩ 1/16W J	1	
	R2129	NRSA63J-222X	MG RESISTOR	2.2kΩ 1/16W J	1	
	R2131	NRSA63J-103X	MG RESISTOR	10kΩ 1/16W J	1	
	R2132	NRSA63J-103X	MG RESISTOR	10kΩ 1/16W J	1	
	R2133	NRSA63J-103X	MG RESISTOR	10kΩ 1/16W J	1	
	R2134	NRSA63J-103X	MG RESISTOR	10kΩ 1/16W J	1	
	R2135	NRSA63J-472X	MG RESISTOR	4.7kΩ 1/16W J	1	
	R2136	NRSA63J-472X	MG RESISTOR	4.7kΩ 1/16W J	1	
	R2141	NRSA63J-103X	MG RESISTOR	10kΩ 1/16W J	1	
	R2146	NRSA63J-103X	MG RESISTOR	10kΩ 1/16W J	1	
	R2147	NRSA63J-473X	MG RESISTOR	47kΩ 1/16W J	1	B,C
	R2148	NRSA63J-103X	MG RESISTOR	10kΩ 1/16W J	1	A
	R2148	NRSA63J-473X	MG RESISTOR	47kΩ 1/16W J	1	B,C
	R2167	NRSA63J-104X	MG RESISTOR	100kΩ 1/16W J	1	
	R2184	NRSA63J-103X	MG RESISTOR	10kΩ 1/16W J	1	
	R2185	NRSA63J-183X	MG RESISTOR	18kΩ 1/16W J	1	
	R2193	NRSA63J-822X	MG RESISTOR	8.2kΩ 1/16W J	1	
	R2195	NRSA63D-104X	MG RESISTOR	100kΩ 1/16W D	1	
	R2197	NRSA63D-472X	MG RESISTOR	4.7kΩ 1/16W D	1	
	R2203	NRSA63J-153X	MG RESISTOR	15kΩ 1/16W J	1	
	R2209	NRSA63J-472X	MG RESISTOR	4.7kΩ 1/16W J	1	
	R2218	NRSA63J-103X	MG RESISTOR	10kΩ 1/16W J	1	
	R2242	NRSA63J-103X	MG RESISTOR	10kΩ 1/16W J	1	
	R2252	NRSA63J-103X	MG RESISTOR	10kΩ 1/16W J	1	
	R2253	NRSA63J-103X	MG RESISTOR	10kΩ 1/16W J	1	
	R2283	NRSA63J-102X	MG RESISTOR	1kΩ 1/16W J	1	
	R2287	NRSA63J-103X	MG RESISTOR	10kΩ 1/16W J	1	
	R2288	NRSA63J-101X	MG RESISTOR	100Ω 1/16W J	1	
	R2295	NRSA63D-243X	MG RESISTOR	24kΩ 1/16W D	1	
	R2296	NRSA63D-472X	MG RESISTOR	4.7kΩ 1/16W D	1	
	R2297	NRSA63D-472X	MG RESISTOR	4.7kΩ 1/16W D	1	
	R2301	NRSA63J-822X	MG RESISTOR	8.2kΩ 1/16W J	1	
	R2302	NRSA63J-273X	MG RESISTOR	27kΩ 1/16W J	1	
	R2303	NRSA63J-100X	MG RESISTOR	10Ω 1/16W J	1	
	R2304	NRSA63J-222X	MG RESISTOR	2.2kΩ 1/16W J	1	
	R2305	NRSA63J-473X	MG RESISTOR	47kΩ 1/16W J	1	
	R2306	NRSA63J-473X	MG RESISTOR	47kΩ 1/16W J	1	
	R2307	NRSA63J-102X	MG RESISTOR	1kΩ 1/16W J	1	
	R2308	NRSA63J-154X	MG RESISTOR	150kΩ 1/16W J	1	
	R2431	NRSA63J-181X	MG RESISTOR	180Ω 1/16W J	1	
	R2433	NRSA63J-821X	MG RESISTOR	820Ω 1/16W J	1	
	R2434	NRSA63J-152X	MG RESISTOR	1.5kΩ 1/16W J	1	
	R2435	NRSA63J-473X	MG RESISTOR	47kΩ 1/16W J	1	
	R2441	NRSA63J-181X	MG RESISTOR	180Ω 1/16W J	1	
	R2443	NRSA63J-821X	MG RESISTOR	820Ω 1/16W J	1	
	R2444	NRSA63J-152X	MG RESISTOR	1.5kΩ 1/16W J	1	
	R2445	NRSA63J-473X	MG RESISTOR	47kΩ 1/16W J	1	
	R2451	NRSA63J-181X	MG RESISTOR	180Ω 1/16W J	1	
	R2453	NRSA63J-821X	MG RESISTOR	820Ω 1/16W J	1	
	R2454	NRSA63J-152X	MG RESISTOR	1.5kΩ 1/16W J	1	

MODEL	MARK	MODEL	MARK	MODEL	MARK
KW-NT30E	A	KW-NT30HDJ	B	KW-NT50HDTJ	C

Safe	Symbol No.	Parts No.	Parts Name	Description	QTY	Local
	R2455	NRSA63J-473X	MG RESISTOR	47kΩ 1/16W J	1	
	R2461	NRSA63J-181X	MG RESISTOR	180Ω 1/16W J	1	
	R2463	NRSA63J-821X	MG RESISTOR	820Ω 1/16W J	1	
	R2464	NRSA63J-152X	MG RESISTOR	1.5kΩ 1/16W J	1	
	R2465	NRSA63J-473X	MG RESISTOR	47kΩ 1/16W J	1	
	R2471	NRSA63J-181X	MG RESISTOR	180Ω 1/16W J	1	
	R2473	NRSA63J-821X	MG RESISTOR	820Ω 1/16W J	1	
	R2474	NRSA63J-152X	MG RESISTOR	1.5kΩ 1/16W J	1	
	R2475	NRSA63J-473X	MG RESISTOR	47kΩ 1/16W J	1	
	R2501	NRSA63J-222X	MG RESISTOR	2.2kΩ 1/16W J	1	
	R2511	NRSA63J-203X	MG RESISTOR	20kΩ 1/16W J	1	
	R2512	NRSA63J-123X	MG RESISTOR	12kΩ 1/16W J	1	
	R2513	NRSA63J-333X	MG RESISTOR	33kΩ 1/16W J	1	
	R2516	NRSA63J-273X	MG RESISTOR	27kΩ 1/16W J	1	
	R2517	NRSA63J-273X	MG RESISTOR	27kΩ 1/16W J	1	
	R2521	NRSA63J-203X	MG RESISTOR	20kΩ 1/16W J	1	
	R2522	NRSA63J-123X	MG RESISTOR	12kΩ 1/16W J	1	
	R2523	NRSA63J-333X	MG RESISTOR	33kΩ 1/16W J	1	
	R2526	NRSA63J-273X	MG RESISTOR	27kΩ 1/16W J	1	
	R2527	NRSA63J-273X	MG RESISTOR	27kΩ 1/16W J	1	
	R2606	NRSA63J-682X	MG RESISTOR	6.8kΩ 1/16W J	1	
	R2607	NRSA63J-682X	MG RESISTOR	6.8kΩ 1/16W J	1	
	R2608	NRSA63J-273X	MG RESISTOR	27kΩ 1/16W J	1	
	R2609	NRSA63J-103X	MG RESISTOR	10kΩ 1/16W J	1	
	R2610	NRSA63J-103X	MG RESISTOR	10kΩ 1/16W J	1	
	R2611	NRSA63J-103X	MG RESISTOR	10kΩ 1/16W J	1	
	R2624	NRSA63J-473X	MG RESISTOR	47kΩ 1/16W J	1	
	R2625	NRSA63J-472X	MG RESISTOR	4.7kΩ 1/16W J	1	
	R2626	NRSA63J-103X	MG RESISTOR	10kΩ 1/16W J	1	
	R2627	NRSA63J-473X	MG RESISTOR	47kΩ 1/16W J	1	
	R2628	NRSA63J-104X	MG RESISTOR	100kΩ 1/16W J	1	
	R2629	NRSA63J-103X	MG RESISTOR	10kΩ 1/16W J	1	
	R2630	NRSA63J-473X	MG RESISTOR	47kΩ 1/16W J	1	
	R2632	NRSA63J-332X	MG RESISTOR	3.3kΩ 1/16W J	1	
	R2801	NRSA63J-473X	MG RESISTOR	47kΩ 1/16W J	1	
	R2802	NRSA63J-184X	MG RESISTOR	180kΩ 1/16W J	1	
	R2803	NRSA63J-101X	MG RESISTOR	100Ω 1/16W J	1	
	R2804	NRSA63J-101X	MG RESISTOR	100Ω 1/16W J	1	
	R2805	NRSA63J-103X	MG RESISTOR	10kΩ 1/16W J	1	
	R2806	NRSA63J-273X	MG RESISTOR	27kΩ 1/16W J	1	
	R2807	NRSA63J-473X	MG RESISTOR	47kΩ 1/16W J	1	
	R2808	NRSA63J-681X	MG RESISTOR	680Ω 1/16W J	1	
	R2823	NRSA63J-273X	MG RESISTOR	27kΩ 1/16W J	1	
	R2824	NRSA63J-473X	MG RESISTOR	47kΩ 1/16W J	1	
	R2901	NRSA63J-103X	MG RESISTOR	10kΩ 1/16W J	1	
	R2902	NRSA63J-472X	MG RESISTOR	4.7kΩ 1/16W J	1	
	R2903	NRSA63J-203X	MG RESISTOR	20kΩ 1/16W J	1	
	R2904	NRSA63J-473X	MG RESISTOR	47kΩ 1/16W J	1	
	R2905	NRSA63J-153X	MG RESISTOR	15kΩ 1/16W J	1	
	R2906	NRSA63J-473X	MG RESISTOR	47kΩ 1/16W J	1	
	R2907	NRS181J-472X	MG RESISTOR	4.7kΩ 1/8W J	1	B,C
	R2909	NRS181J-332X	MG RESISTOR	3.3kΩ 1/8W J	1	
	R2941	NRSA63J-103X	MG RESISTOR	10kΩ 1/16W J	1	
	R2942	NRSA63J-101X	MG RESISTOR	100Ω 1/16W J	1	
	R2971	NRSA63J-681X	MG RESISTOR	680Ω 1/16W J	1	
	R2974	NRSA63J-272X	MG RESISTOR	2.7kΩ 1/16W J	1	
	R2981	NRSA63J-272X	MG RESISTOR	2.7kΩ 1/16W J	1	B,C
	R2992	NRSA63J-0R0X	MG RESISTOR	0Ω 1/10W J	1	
	R2993	NRSA63J-0R0X	MG RESISTOR	0Ω 1/10W J	1	
	R2994	NRSA63J-0R0X	MG RESISTOR	0Ω 1/10W J	1	
	R2996	NRSA63J-0R0X	MG RESISTOR	0Ω 1/10W J	1	
	R2997	NRSA63J-0R0X	MG RESISTOR	0Ω 1/10W J	1	
	R2998	NRSA63J-0R0X	MG RESISTOR	0Ω 1/10W J	1	
	R2999	NRSA63J-0R0X	MG RESISTOR	0Ω 1/10W J	1	
	L1001	NQL093K-2R2X	P COIL	2.2uH K	1	
	L1002	NRSA63J-0R0X	MG RESISTOR	0Ω 1/10W J	1	
	L1003	NRSA63J-0R0X	MG RESISTOR	0Ω 1/10W J	1	
	L1004	NQL79GM-4R7X	COIL	4.7uH M	1	
	L1005	NRSA63J-0R0X	MG RESISTOR	0Ω 1/10W J	1	
	L1006	NRSA63J-0R0X	MG RESISTOR	0Ω 1/10W J	1	
	L1513	NQL114K-331X	P COIL	330uH K	1	
	L1514	NQL114K-331X	P COIL	330uH K	1	
	L1571	NQL093K-R39X	P COIL	0.39uH K	1	
	L1601	NQL79GM-4R7X	COIL	4.7uH M	1	
	L1602	NQL093K-R47X	P COIL	0.47uH K	1	
	L1603	NQL093K-1R8X	P COIL	1.8uH K	1	
	L1604	NQL093K-R22X	P COIL	0.22uH K	1	
	L1713	NQL114K-331X	P COIL	330uH K	1	
	L1714	NQL114K-331X	P COIL	330uH K	1	
	L1801	NQLZ017-R21X	COIL	0.21uH	1	
	L2801	NQL79GM-470X	COIL	47uH M	1	
	L2901	QQR0703-001	CHOKE COIL		1	
	L2902	NQL79GM-101X	COIL	100uH M	1	
	L2961	NQL79GM-4R7X	COIL	4.7uH M	1	
	T1801	QQR1813-001	RF COIL		1	
	CN101	QGB0526J1-50X	CONNECTOR	B-B (1-50)	1	B,C
	CN201	QGF0503C3-14W	CONNECTOR	FFC/FPC (1-14)	1	
	CN251	QGB0815K2-60X	CONNECTOR	B-B (1-60)	1	
	CN252	QGB0815K2-60X	CONNECTOR	B-B (1-60)	1	
	CN261	QGA1217C2-03X	CONNECTOR	W-B (1-3)	1	
	CN291	QNZ0090-001	CAR CONNECTOR		1	
	CN751	QGA1217C2-03X	CONNECTOR	W-B (1-3)	1	

MODEL	MARK	MODEL	MARK	MODEL	MARK
KW-NT30E	A	KW-NT30HDJ	B	KW-NT50HDTJ	C

Safe	Symbol No.	Parts No.	Parts Name	Description	QTY	Local
	EP201	NNZ0165-001X	EARTH TERMINAL		1	
	EP202	NNZ0165-001X	EARTH TERMINAL		1	
	EP203	NNZ0165-001X	EARTH TERMINAL		1	
	EP204	NNZ0165-001X	EARTH TERMINAL		1	B,C
	EP205	NNZ0165-001X	EARTH TERMINAL		1	
	EP206	NNZ0165-001X	EARTH TERMINAL		1	
	EP751	NNZ0165-001X	EARTH TERMINAL		1	
△	F2901	NMFZ018-5R0X-E	FUSE	5A	1	
△	F2902	NMFZ018-5R0X-E	FUSE	5A	1	
	J1001	QAM1233-002	CAR CABLE		1	
	J2401	QNN0859-001	PIN JACK		1	
	J2402	QNN0860-001	PIN JACK		1	
	K1601	NQR0689-001X	FERRITE BEADS		1	
	TH231	NAD0028-103X	N THERMISTOR	10kΩ	1	
	VA102	NAF0024-001X	ESD SUPPRESSOR	V	1	
	X1001	NAX1034-001X	CRYSTAL		1	
	X2001	QAX0953-001	CRYSTAL		1	
	X2002	NAX0981-001X	CRYSTAL		1	
Sub board <02>						
	IC311	JVM515B	IC(MCU)		1	
	IC321	TC74VHCT126AFTX	IC		1	B,C
	IC341	NJM2505AF-X	IC		1	
	IC342	NJM2505AF-X	IC		1	
	IC343	NJM2535V-X	IC		1	
	IC344	NJM2535V-X	IC		1	
	IC345	NJM2561F1-X	IC		1	
	IC346	MM1501XN-X	IC		1	
	IC371	BD9781HFP-W	IC		1	
	IC372	BD9007HFP-W	IC		1	
	IC373	BA33DD0WHFP-W	IC		1	
	IC374	LT1946AEMS8E-X	IC		1	
	IC381	NJM4565E-X	IC		1	
	IC392	NJM2732RB1-X	IC		1	
	Q3701	2SA812A/5-6/-X	TRANSISTOR		1	
	Q3702	2SC1623A/5-6/-X	TRANSISTOR		1	
	Q3703	2SA812A/5-6/-X	TRANSISTOR		1	
	Q3901	RT1N141C-X	DIGI TRANSISTOR		1	
	D3201	CRS03-W	SB DIODE		1	B,C
	D3301	RKZ6.2B2KG-X	Z DIODE		1	
	D3302	RKZ6.2B2KG-X	Z DIODE		1	
	D3303	RKZ6.2B2KG-X	Z DIODE		1	
	D3304	RKZ6.2B2KG-X	Z DIODE		1	
	D3305	RKZ6.2B2KG-X	Z DIODE		1	
	D3306	RKZ6.2B2KG-X	Z DIODE		1	
	D3307	RKZ6.2B2KG-X	Z DIODE		1	
	D3308	RKZ6.2B2KG-X	Z DIODE		1	
	D3411	1SS355W-X	DIODE		1	
	D3412	1SS355W-X	DIODE		1	
	D3421	1SS355W-X	DIODE		1	
	D3422	1SS355W-X	DIODE		1	
	D3711	RB050L-40-X	DIODE		1	
	D3714	1SS355W-X	DIODE		1	
	D3721	RB050L-40-X	DIODE		1	
	D3741	RKZ12B2KG-X	Z DIODE		1	
	D3742	RB160M-60-X	SB DIODE		1	
	D3743	RKZ2.4BKX-X	Z DIODE		1	
	D3744	RB521S-30-X	SB DIODE		1	
	D3745	RB521S-30-X	SB DIODE		1	
	D3746	RB521S-30-X	SB DIODE		1	
	D3747	RB521S-30-X	SB DIODE		1	
	D3748	RKZ15B2KG-X	Z DIODE		1	
	D3801	RKZ11B2KG-X	Z DIODE		1	
	D3802	RKZ11B2KG-X	Z DIODE		1	
	D3804	1SS355W-X	DIODE		1	
	D3922	1SS355W-X	DIODE		1	
	C3001	NDC31HJ-102X	C CAPACITOR	1000pF 50V J	1	
	C3002	NDC31HJ-102X	C CAPACITOR	1000pF 50V J	1	
	C3003	NDC31HJ-101X	C CAPACITOR	100pF 50V J	1	
	C3004	NCB31CK-104X	C CAPACITOR	0.1uF 16V	1	
	C3005	NCB31CK-104X	C CAPACITOR	0.1uF 16V	1	
	C3006	NCB31CK-104X	C CAPACITOR	0.1uF 16V	1	
	C3020	NCB31CK-104X	C CAPACITOR	0.1uF 16V	1	
	C3021	NCJ11EK-106X-R	C CAPACITOR	10uF 25V	1	
	C3022	QEKJ1CM-476Z	E CAPACITOR	47uF 16V M	1	
	C3032	NCJ11EK-106X-R	C CAPACITOR	10uF 25V	1	
	C3033	QEKJ1CM-107Z	E CAPACITOR	100uF 16V M	1	
	C3034	NCJ11EK-106X-R	C CAPACITOR	10uF 25V	1	
	C3035	QEKJ1CM-107Z	E CAPACITOR	100uF 16V M	1	
	C3036	NCJ11EK-106X-R	C CAPACITOR	10uF 25V	1	
	C3037	QEKJ1CM-107Z	E CAPACITOR	100uF 16V M	1	
	C3038	NCJ11EK-106X-R	C CAPACITOR	10uF 25V	1	
	C3040	NCJ11EK-106X-R	C CAPACITOR	10uF 25V	1	
	C3043	NCJ11EK-106X-R	C CAPACITOR	10uF 25V	1	
	C3045	QERF1EM-107Z	E CAPACITOR	100uF 25V M	1	
	C3046	NCJ11EK-106X-R	C CAPACITOR	10uF 25V	1	
	C3101	QEKJ1CM-476Z	E CAPACITOR	47uF 16V M	1	
	C3102	NCB31CK-104X	C CAPACITOR	0.1uF 16V	1	
	C3105	NCB31CK-104X	C CAPACITOR	0.1uF 16V	1	
	C3106	NCB31CK-104X	C CAPACITOR	0.1uF 16V	1	
	C3201	NCB31HK-102X	C CAPACITOR	1000pF 50V K	1	B,C
	C3202	NCB31HK-102X	C CAPACITOR	1000pF 50V K	1	B,C
	C3203	NDC31HJ-101X	C CAPACITOR	100pF 50V J	1	B,C

MODEL	MARK	MODEL	MARK	MODEL	MARK
KW-NT30E	A	KW-NT30HDJ	B	KW-NT50HDTJ	C

Safe	Symbol No.	Parts No.	Parts Name	Description	QTY	Local
	C3204	NCB31HK-104X	C CAPACITOR	0.1uF 50V K	1	B,C
	C3205	NCB31HK-104X	C CAPACITOR	0.1uF 50V K	1	B,C
	C3206	NCB31HK-104X	C CAPACITOR	0.1uF 50V K	1	B,C
	C3214	NCB31CK-104X	C CAPACITOR	0.1uF 16V	1	B,C
	C3251	NCB31CK-104X	C CAPACITOR	0.1uF 16V	1	
	C3301	NDC31HJ-470X	C CAPACITOR	47pF 50V J	1	
	C3303	NDC31HJ-561X	C CAPACITOR	560pF 50V J	1	
	C3304	NDC31HJ-561X	C CAPACITOR	560pF 50V J	1	
	C3305	NCB31HK-473X	C CAPACITOR	0.047uF 50V K	1	
	C3306	NCB31HK-392X	C CAPACITOR	3900pF 50V K	1	
	C3307	NDC31HJ-470X	C CAPACITOR	47pF 50V J	1	
	C3308	NDC31HJ-101X	C CAPACITOR	100pF 50V J	1	
	C3309	NDC31HJ-101X	C CAPACITOR	100pF 50V J	1	
	C3310	NDC31HJ-101X	C CAPACITOR	100pF 50V J	1	
	C3311	NDC31HJ-471X	C CAPACITOR	470pF 50V J	1	
	C3411	QEKJ1EM-106Z	E CAPACITOR	10uF 25V M	1	
	C3412	QEKJ1EM-106Z	E CAPACITOR	10uF 25V M	1	
	C3413	NCB31HK-102X	C CAPACITOR	1000pF 50V K	1	
	C3414	QEKJ1CM-476Z	E CAPACITOR	47uF 16V M	1	
	C3415	NCB31CK-104X	C CAPACITOR	0.1uF 16V	1	
	C3421	QEKJ1EM-106Z	E CAPACITOR	10uF 25V M	1	
	C3422	QEKJ1EM-106Z	E CAPACITOR	10uF 25V M	1	
	C3423	NCB31HK-102X	C CAPACITOR	1000pF 50V K	1	
	C3425	NCB31CK-104X	C CAPACITOR	0.1uF 16V	1	
	C3431	NCB31CK-105X	C CAPACITOR	1uF 16V K	1	
	C3432	NCB31CK-105X	C CAPACITOR	1uF 16V K	1	
	C3433	NCB31CK-105X	C CAPACITOR	1uF 16V K	1	
	C3435	NCB31HK-104X	C CAPACITOR	0.1uF 50V K	1	
	C3441	NCB31CK-105X	C CAPACITOR	1uF 16V K	1	
	C3442	NCB31CK-105X	C CAPACITOR	1uF 16V K	1	
	C3443	NCB31CK-105X	C CAPACITOR	1uF 16V K	1	
	C3444	QEKJ1CM-476Z	E CAPACITOR	47uF 16V M	1	
	C3445	NCB31HK-104X	C CAPACITOR	0.1uF 50V K	1	
	C3451	QEKJ0JM-337Z	E CAPACITOR	330uF 6.3V M	1	
	C3453	NCB31CK-105X	C CAPACITOR	1uF 16V K	1	
	C3454	NCB31HK-104X	C CAPACITOR	0.1uF 50V K	1	
	C3461	NCB31CK-104X	C CAPACITOR	0.1uF 16V	1	
	C3462	NCB31CK-104X	C CAPACITOR	0.1uF 16V	1	
	C3463	NCB31CK-104X	C CAPACITOR	0.1uF 16V	1	
	C3464	NCB31CK-104X	C CAPACITOR	0.1uF 16V	1	
	C3501	QEKJ1CM-476Z	E CAPACITOR	47uF 16V M	1	
	C3504	NCB31CK-104X	C CAPACITOR	0.1uF 16V	1	
	C3507	NCB31CK-104X	C CAPACITOR	0.1uF 16V	1	
	C3701	QETN1EM-477Z	E CAPACITOR	470uF 25V M	1	
	C3702	QERF1EM-107Z	E CAPACITOR	100uF 25V M	1	
	C3703	NCJ11EK-106X-R	C CAPACITOR	10uF 25V	1	
	C3711	NCJ11EK-106X-R	C CAPACITOR	10uF 25V	1	
	C3712	QEKJ1CM-107Z	E CAPACITOR	100uF 16V M	1	
	C3713	NCJ11EK-106X-R	C CAPACITOR	10uF 25V	1	
	C3714	NCB31CK-104X	C CAPACITOR	0.1uF 16V	1	
	C3715	NCB31HK-472X	C CAPACITOR	4700pF 50V K	1	
	C3721	NCJ11EK-106X-R	C CAPACITOR	10uF 25V	1	
	C3722	QEZ0931-107Z	OS E CAPACITOR	100uF	1	
	C3723	NCJ11EK-106X-R	C CAPACITOR	10uF 25V	1	
	C3724	NDC31HJ-101X	C CAPACITOR	100pF 50V J	1	
	C3725	NCB31HK-682X	C CAPACITOR	6800pF 50V K	1	
	C3726	NDC31HJ-331X	C CAPACITOR	330pF 50V J	1	
	C3727	NCB31HK-102X	C CAPACITOR	1000pF 50V K	1	
	C3728	NCB31CK-104X	C CAPACITOR	0.1uF 16V	1	
	C3729	NCB31CK-104X	C CAPACITOR	0.1uF 16V	1	
	C3730	QEKJ1CM-107Z	E CAPACITOR	100uF 16V M	1	
	C3731	NCB31CK-104X	C CAPACITOR	0.1uF 16V	1	
	C3732	QEKJ1EM-106Z	E CAPACITOR	10uF 25V M	1	
	C3741	NCB21EK-105X	C CAPACITOR	1uF 25V K	1	
	C3742	NCJ11EK-106X-R	C CAPACITOR	10uF 25V	1	
	C3743	NCB21EK-105X	C CAPACITOR	1uF 25V K	1	
	C3744	NDC31HJ-220X	C CAPACITOR	22pF 50V J	1	
	C3745	NCB21EK-105X	C CAPACITOR	1uF 25V K	1	
	C3746	NCB21EK-105X	C CAPACITOR	1uF 25V K	1	
	C3747	NCB31HK-103X	C CAPACITOR	0.01uF 50V K	1	
	C3748	NCB21EK-105X	C CAPACITOR	1uF 25V K	1	
	C3749	NCJ11EK-106X-R	C CAPACITOR	10uF 25V	1	
	C3750	NCJ11EK-106X-R	C CAPACITOR	10uF 25V	1	
	C3751	NCB31HK-103X	C CAPACITOR	0.01uF 50V K	1	
	C3752	NCB31CK-105X	C CAPACITOR	1uF 16V K	1	
	C3753	NCJ11EK-106X-R	C CAPACITOR	10uF 25V	1	
	C3754	NCB21EK-105X	C CAPACITOR	1uF 25V K	1	
	C3756	NCB31CK-105X	C CAPACITOR	1uF 16V K	1	
	C3757	NCJ11EK-106X-R	C CAPACITOR	10uF 25V	1	
	C3802	NDC31HJ-101X	C CAPACITOR	100pF 50V J	1	
	C3803	NCB31CK-105X	C CAPACITOR	1uF 16V K	1	
	C3804	NCB31CK-105X	C CAPACITOR	1uF 16V K	1	
	C3805	NCB31HK-152X	C CAPACITOR	1500pF 50V K	1	
	C3806	QEKJ1CM-476Z	E CAPACITOR	47uF 16V M	1	
	C3807	NCB31HK-333X	C CAPACITOR	0.033uF 50V K	1	
	C3808	NCB31HK-333X	C CAPACITOR	0.033uF 50V K	1	
	C3809	NCB31CK-104X	C CAPACITOR	0.1uF 16V	1	
	C3810	NCB31HK-152X	C CAPACITOR	1500pF 50V K	1	
	C3811	QEKJ1CM-107Z	E CAPACITOR	100uF 16V M	1	
	C3812	NCB31CK-105X	C CAPACITOR	1uF 16V K	1	
	C3814	NCB31CK-104X	C CAPACITOR	0.1uF 16V	1	
	C3911	NCB31CK-104X	C CAPACITOR	0.1uF 16V	1	

MODEL	MARK	MODEL	MARK	MODEL	MARK
KW-NT30E	A	KW-NT30HDJ	B	KW-NT50HDTJ	C

Safe	Symbol No.	Parts No.	Parts Name	Description	QTY	Local
	C3912	NDC31HJ-101X	C CAPACITOR	100pF 50V J	1	
	C3921	NDC31HJ-101X	C CAPACITOR	100pF 50V J	1	
	C3922	NDC31HJ-821X	C CAPACITOR	820pF 50V J	1	
	C3923	NDC31HJ-271X	C CAPACITOR	270pF 50V J	1	
	C3924	NCB31CK-104X	C CAPACITOR	0.1uF 16V	1	
	R3001	NRSA63J-0R0X	MG RESISTOR	0Ω 1/10W J	1	
	R3031	NRSA63J-101X	MG RESISTOR	100Ω 1/16W J	1	
	R3032	NRSA63J-101X	MG RESISTOR	100Ω 1/16W J	1	
	R3035	NRSA63J-104X	MG RESISTOR	100kΩ 1/16W J	1	
	R3036	NRSA63J-104X	MG RESISTOR	100kΩ 1/16W J	1	
	R3101	NRSA63J-0R0X	MG RESISTOR	0Ω 1/10W J	1	
	R3102	NRSA63J-103X	MG RESISTOR	10kΩ 1/16W J	1	
	R3103	NRSA63J-0R0X	MG RESISTOR	0Ω 1/10W J	1	
	R3104	NRSA63J-103X	MG RESISTOR	10kΩ 1/16W J	1	
	R3105	NRSA63J-102X	MG RESISTOR	1kΩ 1/16W J	1	
	R3106	NRSA63J-102X	MG RESISTOR	1kΩ 1/16W J	1	B,C
	R3107	NRSA63J-102X	MG RESISTOR	1kΩ 1/16W J	1	B,C
	R3108	NRSA63J-102X	MG RESISTOR	1kΩ 1/16W J	1	B,C
	R3109	NRSA63J-102X	MG RESISTOR	1kΩ 1/16W J	1	
	R3110	NRSA63J-103X	MG RESISTOR	10kΩ 1/16W J	1	
	R3111	NRSA63J-102X	MG RESISTOR	1kΩ 1/16W J	1	
	R3113	NRSA63J-102X	MG RESISTOR	1kΩ 1/16W J	1	B,C
	R3114	NRSA63J-102X	MG RESISTOR	1kΩ 1/16W J	1	B,C
	R3115	NRSA63J-102X	MG RESISTOR	1kΩ 1/16W J	1	B,C
	R3116	NRSA63J-103X	MG RESISTOR	10kΩ 1/16W J	1	
	R3117	NRSA63J-103X	MG RESISTOR	10kΩ 1/16W J	1	
	R3118	NRSA63J-102X	MG RESISTOR	1kΩ 1/16W J	1	
	R3124	NRSA63J-103X	MG RESISTOR	10kΩ 1/16W J	1	
	R3125	NRSA63J-101X	MG RESISTOR	100Ω 1/16W J	1	
	R3126	NRSA63J-472X	MG RESISTOR	4.7kΩ 1/16W J	1	
	R3127	NRSA63J-102X	MG RESISTOR	1kΩ 1/16W J	1	
	R3128	NRSA63J-0R0X	MG RESISTOR	0Ω 1/10W J	1	
	R3129	NRSA63J-103X	MG RESISTOR	10kΩ 1/16W J	1	
	R3130	NRSA63J-103X	MG RESISTOR	10kΩ 1/16W J	1	A
	R3131	NRSA63J-103X	MG RESISTOR	10kΩ 1/16W J	1	A
	R3132	NRSA63J-103X	MG RESISTOR	10kΩ 1/16W J	1	A
	R3134	NRSA63J-223X	MG RESISTOR	22kΩ 1/16W J	1	
	R3135	NRSA63J-101X	MG RESISTOR	100Ω 1/16W J	1	
	R3136	NRSA63J-103X	MG RESISTOR	10kΩ 1/16W J	1	
	R3137	NRSA63J-103X	MG RESISTOR	10kΩ 1/16W J	1	
	R3201	NRSA63J-151X	MG RESISTOR	150Ω 1/16W J	1	B,C
	R3202	NRSA63J-151X	MG RESISTOR	150Ω 1/16W J	1	B,C
	R3211	NRSA63J-102X	MG RESISTOR	1kΩ 1/16W J	1	B,C
	R3212	NRSA63J-104X	MG RESISTOR	100kΩ 1/16W J	1	B,C
	R3213	NRSA63J-104X	MG RESISTOR	100kΩ 1/16W J	1	B,C
	R3214	NRSA63J-392X	MG RESISTOR	3.9kΩ 1/16W J	1	B,C
	R3215	NRSA63J-682X	MG RESISTOR	6.8kΩ 1/16W J	1	B,C
	R3216	NRSA63J-102X	MG RESISTOR	1kΩ 1/16W J	1	B,C
	R3217	NRSA63J-104X	MG RESISTOR	100kΩ 1/16W J	1	B,C
	R3218	NRSA63J-101X	MG RESISTOR	100Ω 1/16W J	1	B,C
	R3219	NRSA63J-101X	MG RESISTOR	100Ω 1/16W J	1	B,C
	R3220	NRSA63J-104X	MG RESISTOR	100kΩ 1/16W J	1	B,C
	R3221	NRSA63J-102X	MG RESISTOR	1kΩ 1/16W J	1	B,C
	R3222	NRSA63J-104X	MG RESISTOR	100kΩ 1/16W J	1	B,C
	R3223	NRSA63J-392X	MG RESISTOR	3.9kΩ 1/16W J	1	B,C
	R3224	NRSA63J-682X	MG RESISTOR	6.8kΩ 1/16W J	1	B,C
	R3301	NRSA63J-750X	MG RESISTOR	75Ω 1/16W J	1	
	R3303	NRSA63J-222X	MG RESISTOR	2.2kΩ 1/16W J	1	
	R3304	NRSA63J-222X	MG RESISTOR	2.2kΩ 1/16W J	1	
	R3305	NRSA63J-393X	MG RESISTOR	39kΩ 1/16W J	1	
	R3306	NRSA63J-393X	MG RESISTOR	39kΩ 1/16W J	1	
	R3307	NRSA63J-471X	MG RESISTOR	470Ω 1/16W J	1	
	R3308	NRSA63J-0R0X	MG RESISTOR	0Ω 1/10W J	1	
	R3309	NRSA63J-0R0X	MG RESISTOR	0Ω 1/10W J	1	
	R3310	NRSA63J-0R0X	MG RESISTOR	0Ω 1/10W J	1	
	R3311	NRSA63J-0R0X	MG RESISTOR	0Ω 1/10W J	1	
	R3312	NRSA63J-0R0X	MG RESISTOR	0Ω 1/10W J	1	
	R3313	NRSA63J-271X	MG RESISTOR	270Ω 1/16W J	1	
	R3314	NRSA63J-101X	MG RESISTOR	100Ω 1/16W J	1	
	R3315	NRSA63J-101X	MG RESISTOR	100Ω 1/16W J	1	
	R3411	NRSA63J-471X	MG RESISTOR	470Ω 1/16W J	1	
	R3412	NRSA63J-471X	MG RESISTOR	470Ω 1/16W J	1	
	R3414	NRSA63J-390X	MG RESISTOR	39Ω 1/16W J	1	
	R3421	NRSA63J-471X	MG RESISTOR	470Ω 1/16W J	1	
	R3422	NRSA63J-471X	MG RESISTOR	470Ω 1/16W J	1	
	R3424	NRSA63J-390X	MG RESISTOR	39Ω 1/16W J	1	
	R3431	NRSA63J-332X	MG RESISTOR	3.3kΩ 1/16W J	1	
	R3432	NRSA63J-181X	MG RESISTOR	180Ω 1/16W J	1	
	R3434	NRSA63J-0R0X	MG RESISTOR	0Ω 1/10W J	1	
	R3451	NRSA63J-0R0X	MG RESISTOR	0Ω 1/10W J	1	
	R3452	NRSA63J-0R0X	MG RESISTOR	0Ω 1/10W J	1	
	R3462	NRSA63J-181X	MG RESISTOR	180Ω 1/16W J	1	
	R3463	NRSA63J-332X	MG RESISTOR	3.3kΩ 1/16W J	1	
	R3464	NRSA63J-181X	MG RESISTOR	180Ω 1/16W J	1	
	R3465	NRSA63J-332X	MG RESISTOR	3.3kΩ 1/16W J	1	
	R3501	NRSA63J-0R0X	MG RESISTOR	0Ω 1/10W J	1	
	R3504	NRSA63J-473X	MG RESISTOR	47kΩ 1/16W J	1	
	R3508	NRSA63J-473X	MG RESISTOR	47kΩ 1/16W J	1	
	R3510	NRSA63J-473X	MG RESISTOR	47kΩ 1/16W J	1	
	R3513	NRSA63J-473X	MG RESISTOR	47kΩ 1/16W J	1	
	R3515	NRSA63J-473X	MG RESISTOR	47kΩ 1/16W J	1	
	R3711	NRSA63D-274X	MG RESISTOR	270kΩ 1/16W D	1	
	R3712	NRSA63J-823X	MG RESISTOR	82kΩ 1/16W J	1	

MODEL	MARK	MODEL	MARK	MODEL	MARK
KW-NT30E	A	KW-NT30HDJ	B	KW-NT50HDTJ	C

Safe	Symbol No.	Parts No.	Parts Name	Description	QTY	Local
	R3713	NRSA63D-623X	MG RESISTOR	62kΩ 1/16W D	1	
	R3715	NRSA63D-123X	MG RESISTOR	12kΩ 1/16W D	1	
	R3721	NRSA63D-124X	MG RESISTOR	120kΩ 1/16W D	1	
	R3722	NRSA63J-104X	MG RESISTOR	100kΩ 1/16W J	1	
	R3723	NRSA63D-623X	MG RESISTOR	62kΩ 1/16W D	1	
	R3725	NRSA63D-153X	MG RESISTOR	15kΩ 1/16W D	1	
	R3741	NRSA63J-154X	MG RESISTOR	150kΩ 1/16W J	1	
	R3742	NRSA63J-473X	MG RESISTOR	47kΩ 1/16W J	1	
	R3743	NRSA63J-104X	MG RESISTOR	100kΩ 1/16W J	1	
	R3744	NRSA63J-682X	MG RESISTOR	6.8kΩ 1/16W J	1	
	R3745	NRSA63D-154X	MG RESISTOR	150kΩ 1/16W D	1	
	R3746	NRSA63D-203X	MG RESISTOR	20kΩ 1/16W D	1	
	R3747	NRSA63J-681X	MG RESISTOR	680Ω 1/16W J	1	
	R3748	NRSA63J-104X	MG RESISTOR	100kΩ 1/16W J	1	
	R3749	NRSA63J-102X	MG RESISTOR	1kΩ 1/16W J	1	
	R3750	NRSA63J-0R0X	MG RESISTOR	0Ω 1/10W J	1	
	R3751	NRSA63J-222X	MG RESISTOR	2.2kΩ 1/16W J	1	
	R3752	NRSA63J-223X	MG RESISTOR	22kΩ 1/16W J	1	
	R3753	NRSA63J-682X	MG RESISTOR	6.8kΩ 1/16W J	1	
	R3801	NRSA63J-122X	MG RESISTOR	1.2kΩ 1/16W J	1	
	R3802	NRSA63J-122X	MG RESISTOR	1.2kΩ 1/16W J	1	
	R3803	NRSA63J-123X	MG RESISTOR	12kΩ 1/16W J	1	
	R3804	NRSA63J-822X	MG RESISTOR	8.2kΩ 1/16W J	1	
	R3805	NRSA63J-822X	MG RESISTOR	8.2kΩ 1/16W J	1	
	R3806	NRSA63J-223X	MG RESISTOR	22kΩ 1/16W J	1	
	R3807	NRSA63J-223X	MG RESISTOR	22kΩ 1/16W J	1	
	R3808	NRSA63J-333X	MG RESISTOR	33kΩ 1/16W J	1	
	R3809	NRSA63J-822X	MG RESISTOR	8.2kΩ 1/16W J	1	
	R3810	NRSA63J-123X	MG RESISTOR	12kΩ 1/16W J	1	
	R3811	NRSA63J-102X	MG RESISTOR	1kΩ 1/16W J	1	
	R3812	NRSA63J-680X	MG RESISTOR	68Ω 1/16W J	1	
	R3813	NRSA63J-680X	MG RESISTOR	68Ω 1/16W J	1	
	R3911	NRSA63J-0R0X	MG RESISTOR	0Ω 1/10W J	1	
	R3912	NRSA63J-103X	MG RESISTOR	10kΩ 1/16W J	1	
	R3914	NRSA63J-473X	MG RESISTOR	47kΩ 1/16W J	1	
	R3921	NRSA63J-513X	MG RESISTOR	51kΩ 1/16W J	1	
	R3922	NRSA63J-513X	MG RESISTOR	51kΩ 1/16W J	1	
	R3923	NRSA63J-513X	MG RESISTOR	51kΩ 1/16W J	1	
	R3924	NRSA63J-683X	MG RESISTOR	68kΩ 1/16W J	1	
	R3925	NRSA63J-683X	MG RESISTOR	68kΩ 1/16W J	1	
	R3926	NRSA63J-103X	MG RESISTOR	10kΩ 1/16W J	1	
	R3927	NRSA63J-513X	MG RESISTOR	51kΩ 1/16W J	1	
	R3928	NRSA63J-563X	MG RESISTOR	56kΩ 1/16W J	1	
	R3929	NRSA63J-683X	MG RESISTOR	68kΩ 1/16W J	1	
	R3930	NRSA63J-104X	MG RESISTOR	100kΩ 1/16W J	1	
	R3931	NRSA63J-822X	MG RESISTOR	8.2kΩ 1/16W J	1	
	RA341	NRB04DJ-301X	NET RESISTOR	300Ω J	1	
	RA342	NRB04DJ-301X	NET RESISTOR	300Ω J	1	
	L3201	NQLC8CN-4R9X	COIL	4.9uH N	1	B,C
	L3401	NQL79GM-470X	COIL	47uH M	1	
	L3701	NQLC8CN-4R9X	COIL	4.9uH N	1	
	L3711	NQL71EM-330X	COIL	33uH M	1	
	L3721	NQL71EM-330X	COIL	33uH M	1	
	L3741	NQL79GM-100X	COIL	10uH M	1	
	L3742	NQLZ007-4R7X	COIL	4.7uH	1	
	L3743	NQL79GM-470X	COIL	47uH M	1	
	L3801	NQL79GM-470X	COIL	47uH M	1	
	CN301	QGB0815K2-60X	CONNECTOR	B-B (1-60)	1	
	CN302	QGB0815K2-60X	CONNECTOR	B-B (1-60)	1	
	CN321	QNZ0095-001	CONNECTOR		1	B,C
	CN325	QGA2001C1-02	CONNECTOR	W-B (1-2)	1	
	CN331	QGA2015F1-14	CONNECTOR	W-B (1-14)	1	
	CN351	QGB2027M4-30S	CONNECTOR	B-B (1-30)	1	
	CN352	QGB1004J5-12X	CONNECTOR	B-B (1-12)	1	
	EP301	NNZ0165-001X	EARTH TERMINAL		1	
	EP302	NNZ0165-001X	EARTH TERMINAL		1	
	EP303	NNZ0165-001X	EARTH TERMINAL		1	
	EP304	NNZ0165-001X	EARTH TERMINAL		1	
	EP305	NNZ0165-001X	EARTH TERMINAL		1	
	J3801	QNS0283-001	3.5 JACK		1	
	K3801	NRSA63J-0R0X	MG RESISTOR	0Ω 1/10W J	1	
	K3802	NRSA63J-0R0X	MG RESISTOR	0Ω 1/10W J	1	
	PP3	QZW0010-001	STYLE PIN		1	
	S3001	NSW0126-001X	DETECT SWITCH		1	

Detach/Relay board <03>

IC451	BA00CC0WFP-X	IC		1	
IC452	BA50BC0FP-X	IC		1	
IC841	NCP5623DTBR2G-X	IC		1	
Q8411	RT2N03M-X	DIGI TRANSISTOR		1	
Q8412	ISA1989AU1/R/-X	TRANSISTOR		1	
Q8421	RT2N03M-X	DIGI TRANSISTOR		1	
Q8422	ISA1989AU1/R/-X	TRANSISTOR		1	
Q8431	RT2N03M-X	DIGI TRANSISTOR		1	
Q8432	ISA1989AU1/R/-X	TRANSISTOR		1	
D401	RKZ6.2B2KG-X	Z DIODE		1	
D402	RKZ6.2B2KG-X	Z DIODE		1	
D403	RKZ6.2B2KG-X	Z DIODE		1	
D404	RKZ6.2B2KG-X	Z DIODE		1	
D405	RKZ6.2B2KG-X	Z DIODE		1	
D406	RKZ6.2B2KG-X	Z DIODE		1	
D407	RKZ6.2B2KG-X	Z DIODE		1	
D408	RKZ6.2B2KG-X	Z DIODE		1	

MODEL	MARK	MODEL	MARK	MODEL	MARK
KW-NT30E	A	KW-NT30HDJ	B	KW-NT50HDTJ	C

Safe	Symbol No.	Parts No.	Parts Name	Description	QTY	Local
	D409	RKZ6.2B2KG-X	Z DIODE		1	
	D410	RKZ6.2B2KG-X	Z DIODE		1	
	D411	RKZ6.2B2KG-X	Z DIODE		1	
	D412	RKZ6.2B2KG-X	Z DIODE		1	
	D413	RKZ6.2B2KG-X	Z DIODE		1	
	D414	RKZ6.2B2KG-X	Z DIODE		1	
	D415	RKZ6.2B2KG-X	Z DIODE		1	
	D416	RKZ6.2B2KG-X	Z DIODE		1	
	D417	RKZ6.2B2KG-X	Z DIODE		1	
	D418	RKZ6.2B2KG-X	Z DIODE		1	
	D419	RKZ6.2B2KG-X	Z DIODE		1	
	D420	RKZ6.2B2KG-X	Z DIODE		1	
	D421	RKZ6.2B2KG-X	Z DIODE		1	
	D423	RKZ6.2B2KG-X	Z DIODE		1	
	D451	CRS03-W	SB DIODE		1	
	D452	CRS03-W	SB DIODE		1	
	D453	CRS03-W	SB DIODE		1	
	D458	CRS03-W	SB DIODE		1	
	D459	CRS03-W	SB DIODE		1	
	D8111	NSSM065T-X	LED		1	
	D8112	NSSM065T-X	LED		1	
	D8113	NSSM065T-X	LED		1	
	D8201	NSSM065T-X	LED		1	
	D8202	NSSM065T-X	LED		1	
	D8203	NSSM065T-X	LED		1	
	D8204	NSSM065T-X	LED		1	
	D8205	NSSM065T-X	LED		1	
	D8411	RB751V-40-X	SB DIODE		1	
	D8421	RB751V-40-X	SB DIODE		1	
	D8431	RB751V-40-X	SB DIODE		1	
	D8501	1SR154-400-X	SI DIODE		1	
	C451	NEAF1CM-476X	E CAPACITOR	47uF 16V M	1	
	C452	NEAF1CM-107X	E CAPACITOR	100uF 16V M	1	
	C453	NCB31CK-104X	C CAPACITOR	0.1uF 16V	1	
	C454	NEAF1CM-476X	E CAPACITOR	47uF 16V M	1	
	C455	NEAF1CM-107X	E CAPACITOR	100uF 16V M	1	
	C456	NCB31CK-104X	C CAPACITOR	0.1uF 16V	1	
	C4501	NCB31CK-104X	C CAPACITOR	0.1uF 16V	1	
	C4504	NCB31CK-104X	C CAPACITOR	0.1uF 16V	1	
	C4505	NCB31CK-104X	C CAPACITOR	0.1uF 16V	1	
	C4506	NCB31CK-104X	C CAPACITOR	0.1uF 16V	1	
	C4507	NCB31HK-103X	C CAPACITOR	0.01uF 50V K	1	
	C4508	NDC31HJ-101X	C CAPACITOR	100pF 50V J	1	
	C4509	NCB31CK-104X	C CAPACITOR	0.1uF 16V	1	
	C8301	NCB31HK-103X	C CAPACITOR	0.01uF 50V K	1	
	C8302	NCB31HK-103X	C CAPACITOR	0.01uF 50V K	1	
	C8401	NCB31HK-103X	C CAPACITOR	0.01uF 50V K	1	
	C8501	NCB31HK-103X	C CAPACITOR	0.01uF 50V K	1	
	C8505	NCJ11EK-106X-R	C CAPACITOR	10uF 25V	1	
	C8601	NCB31HK-102X	C CAPACITOR	1000pF 50V K	1	
	C8602	NCB31HK-102X	C CAPACITOR	1000pF 50V K	1	
	C8603	NDC31HJ-101X	C CAPACITOR	100pF 50V J	1	
	C8604	NCB31CK-104X	C CAPACITOR	0.1uF 16V	1	
	R401	NRSA63J-0R0X	MG RESISTOR	0Ω 1/10W J	1	
	R402	NRSA63J-0R0X	MG RESISTOR	0Ω 1/10W J	1	
	R451	NRSA63J-682X	MG RESISTOR	6.8kΩ 1/16W J	1	
	R452	NRSA63J-302X	MG RESISTOR	3kΩ 1/16W J	1	
	R4501	NRSA63J-101X	MG RESISTOR	100Ω 1/16W J	1	
	R8101	NRSA63J-301X	MG RESISTOR	300Ω 1/16W J	1	
	R8111	NRSA63J-0R0X	MG RESISTOR	0Ω 1/10W J	1	
	R8112	NRSA63J-0R0X	MG RESISTOR	0Ω 1/10W J	1	
	R8113	NRSA63J-0R0X	MG RESISTOR	0Ω 1/10W J	1	
	R8114	NRSA63J-0R0X	MG RESISTOR	0Ω 1/10W J	1	
	R8115	NRSA63J-0R0X	MG RESISTOR	0Ω 1/10W J	1	
	R8116	NRSA63J-0R0X	MG RESISTOR	0Ω 1/10W J	1	
	R8201	NRSA63J-202X	MG RESISTOR	2kΩ 1/16W J	1	
	R8202	NRSA63J-122X	MG RESISTOR	1.2kΩ 1/16W J	1	
	R8203	NRSA63J-152X	MG RESISTOR	1.5kΩ 1/16W J	1	
	R8204	NRSA63J-242X	MG RESISTOR	2.4kΩ 1/16W J	1	
	R8205	NRSA63J-122X	MG RESISTOR	1.2kΩ 1/16W J	1	
	R8206	NRSA63J-152X	MG RESISTOR	1.5kΩ 1/16W J	1	
	R8207	NRSA63J-332X	MG RESISTOR	3.3kΩ 1/16W J	1	
	R8208	NRSA63J-302X	MG RESISTOR	3kΩ 1/16W J	1	
	R8209	NRSA63J-332X	MG RESISTOR	3.3kΩ 1/16W J	1	
	R8211	NRSA63J-182X	MG RESISTOR	1.8kΩ 1/16W J	1	
	R8212	NRSA63J-202X	MG RESISTOR	2kΩ 1/16W J	1	
	R8213	NRSA63J-102X	MG RESISTOR	1kΩ 1/16W J	1	
	R8214	NRSA63J-162X	MG RESISTOR	1.6kΩ 1/16W J	1	
	R8215	NRSA63J-122X	MG RESISTOR	1.2kΩ 1/16W J	1	
	R8216	NRSA63J-202X	MG RESISTOR	2kΩ 1/16W J	1	
	R8301	NRSA63J-103X	MG RESISTOR	10kΩ 1/16W J	1	
	R8302	NRSA63J-103X	MG RESISTOR	10kΩ 1/16W J	1	
	R8303	NRSA63J-103X	MG RESISTOR	10kΩ 1/16W J	1	
	R8304	NRSA63J-103X	MG RESISTOR	10kΩ 1/16W J	1	
	R8401	NRSA63J-100X	MG RESISTOR	10Ω 1/16W J	1	
	R8402	NRSA63J-154X	MG RESISTOR	150kΩ 1/16W J	1	
	R8403	NRSA63J-100X	MG RESISTOR	10Ω 1/16W J	1	
	R8411	NRSA63J-222X	MG RESISTOR	2.2kΩ 1/16W J	1	
	R8412	NRSA63J-103X	MG RESISTOR	10kΩ 1/16W J	1	
	R8413	NRS124J-511X	MG RESISTOR	510Ω 1/2W J	1	
	R8421	NRSA63J-222X	MG RESISTOR	2.2kΩ 1/16W J	1	
	R8422	NRSA63J-103X	MG RESISTOR	10kΩ 1/16W J	1	

MODEL	MARK	MODEL	MARK	MODEL	MARK
KW-NT30E	A	KW-NT30HDJ	B	KW-NT50HDTJ	C

Safe	Symbol No.	Parts No.	Parts Name	Description	QTY	Local
	R8423	NRS124J-471X	MG RESISTOR	470Ω 1/2W J	1	
	R8431	NRSA63J-222X	MG RESISTOR	2.2kΩ 1/16W J	1	
	R8432	NRSA63J-103X	MG RESISTOR	10kΩ 1/16W J	1	
	R8433	NRS124J-621X	MG RESISTOR	620Ω 1/2W J	1	
	R8601	NRSA63J-333X	MG RESISTOR	33kΩ 1/16W J	1	
	R8602	NRSA63J-333X	MG RESISTOR	33kΩ 1/16W J	1	
	R8603	NRSA63J-750X	MG RESISTOR	75Ω 1/16W J	1	
	L8501	NQR0536-001X	CHOKO COIL		1	
	CN401	NNZ0230-003	CAR CONNECTOR		1	
	CN411	QGB0815J1-60X	CONNECTOR	B-B (1-60)	1	
	CN412	QGB0815J1-60X	CONNECTOR	B-B (1-60)	1	
	CN421	QGB0815J1-60X	CONNECTOR	B-B (1-60)	1	
	CN422	QGB0815J1-60X	CONNECTOR	B-B (1-60)	1	
	CN451	QGB2027L9-30X	CONNECTOR	B-B (1-30)	1	
	CN461	QGF0534F3-40X	CONNECTOR	FFC/FPC (1-40)	1	
	CN811	QGB0519M3-20X	CONNECTOR	B-B (1-20)	1	
	CN821	QGB0519L3-20X	CONNECTOR	B-B (1-20)	1	
	CN822	QGF0536C3-17W	CONNECTOR	FFC/FPC (1-17)	1	
	CN851	QGF0536C3-08W	CONNECTOR	FFC/FPC (1-8)	1	
	CN852	QGA1217C2-03X	CONNECTOR	W-B (1-3)	1	
	EP401	NNZ0165-001X	EARTH TERMINAL		1	
	EP402	NNZ0165-001X	EARTH TERMINAL		1	
	EP403	NNZ0165-001X	EARTH TERMINAL		1	
	EP851	NNZ0129-001X	EARTH TERMINAL		1	
	EP861	NNZ0129-001X	EARTH TERMINAL		1	
	J8501	QNZ1006-001	USB CONNECTOR		1	
	J8601	QNS0288-003	3.5 JACK		1	
	JS831	QSW1278-001	ROTARY ENCODER		1	
	K8501	NRSA63J-0R0X	MG RESISTOR	0Ω 1/10W J	1	
	K8601	NQR0022-005X	FERRITE BEADS		1	
	K8602	NQR0022-005X	FERRITE BEADS		1	
	K8603	NQR0022-005X	FERRITE BEADS		1	
	K8604	NQR0022-005X	FERRITE BEADS		1	
	S8101	NSW0326-001X	TACT SWITCH		1	
	S8102	NSW0326-001X	TACT SWITCH		1	
	S8103	NSW0326-001X	TACT SWITCH		1	
Panel board <04>						
	IC901	JVM514B	IC(MCU)		1	
	IC902	TC7S00FU-X	IC(DIGITAL)		1	
	IC903	TC7S32FU-X	IC(DIGITAL)		1	
	IC921	TW8827DETA3-GR	IC(DIGITAL)		1	
	IC941	BA4560RFVM-W	IC		1	
	IC951	LT3517EFE-X	IC		1	
	IC971	BA3131FS-X	IC		1	
	IC980	NAL0089-002X	BT MODULE		1	
	IC991	BA50BC0FP-X	IC		1	
	IC992	NJM2871BF33-X	IC		1	
	IC993	NJM2871BF18-X	IC		1	
	IC994	BA00BC0WFP-X	IC(DIGITAL)		1	
	Q9101	2SA2188/F-X	TRANSISTOR		1	
	Q9102	INC2002AC1-X	TRANSISTOR		1	
	Q9111	2SA2188/F-X	TRANSISTOR		1	
	Q9112	INC2002AC1-X	TRANSISTOR		1	
	Q9121	ISA1530AC1/R/-X	TRANSISTOR		1	
	Q9511	RSQ025P03-W	TRANSISTOR		1	
	D9511	RB160M-60-X	SB DIODE		1	
	D9761	RKZ5.6B2KG-X	Z DIODE		1	
	D9762	RKZ5.6B2KG-X	Z DIODE		1	
	D9763	RKZ5.6B2KG-X	Z DIODE		1	
	D9764	RKZ5.6B2KG-X	Z DIODE		1	
	D9765	RKZ5.6B2KG-X	Z DIODE		1	
	D9766	RKZ5.6B2KG-X	Z DIODE		1	
	D9827	RKZ3.3B2KG-X	Z DIODE		1	
	D9931	GS1J-LTP-X	DIODE		1	
	C9001	NCB31CK-104X	C CAPACITOR	0.1uF 16V	1	
	C9002	NBE40JM-476X	TA E CAPACITOR	47uF 6.3V M	1	
	C9041	NCB31CK-104X	C CAPACITOR	0.1uF 16V	1	
	C9064	NCB31CK-104X	C CAPACITOR	0.1uF 16V	1	
	C9065	NCB31CK-104X	C CAPACITOR	0.1uF 16V	1	
	C9074	NCB31CK-104X	C CAPACITOR	0.1uF 16V	1	
	C9080	NCB31CK-474X	C CAPACITOR	0.47uF 16V K	1	
	C9082	NCB31CK-104X	C CAPACITOR	0.1uF 16V	1	
	C9091	NCB31CK-104X	C CAPACITOR	0.1uF 16V	1	
	C9096	NCB31CK-104X	C CAPACITOR	0.1uF 16V	1	
	C9101	NCB31AK-105X	C CAPACITOR	1uF 10V K	1	
	C9111	NCB31AK-105X	C CAPACITOR	1uF 10V K	1	
	C9131	NCB31HK-103X	C CAPACITOR	0.01uF 50V K	1	
	C9132	NCB31HK-103X	C CAPACITOR	0.01uF 50V K	1	
	C9133	NCB31HK-103X	C CAPACITOR	0.01uF 50V K	1	
	C9134	NCB31HK-103X	C CAPACITOR	0.01uF 50V K	1	
	C9201	NBE41AM-226X	TA E CAPACITOR	22uF 10V M	1	
	C9211	NCB31CK-104X	C CAPACITOR	0.1uF 16V	1	
	C9212	NCB31CK-104X	C CAPACITOR	0.1uF 16V	1	
	C9213	NCB31CK-104X	C CAPACITOR	0.1uF 16V	1	
	C9217	NCB31CK-104X	C CAPACITOR	0.1uF 16V	1	
	C9218	NCB31CK-104X	C CAPACITOR	0.1uF 16V	1	
	C9222	NCB31CK-104X	C CAPACITOR	0.1uF 16V	1	
	C9231	NCB31CK-104X	C CAPACITOR	0.1uF 16V	1	
	C9243	NCB31CK-104X	C CAPACITOR	0.1uF 16V	1	
	C9254	NCB31CK-104X	C CAPACITOR	0.1uF 16V	1	
	C9260	NCB31CK-104X	C CAPACITOR	0.1uF 16V	1	
	C9284	NDC31HJ-150X	C CAPACITOR	15pF 50V J	1	

MODEL	MARK	MODEL	MARK	MODEL	MARK
KW-NT30E	A	KW-NT30HDJ	B	KW-NT50HDTJ	C

Safe	Symbol No.	Parts No.	Parts Name	Description	QTY	Local
	C9285	NDC31HJ-150X	C CAPACITOR	15pF 50V J	1	
	C9286	NCB31CK-104X	C CAPACITOR	0.1uF 16V	1	
	C9288	NCB31CK-104X	C CAPACITOR	0.1uF 16V	1	
	C9306	NCB31CK-104X	C CAPACITOR	0.1uF 16V	1	
	C9312	NCB31CK-104X	C CAPACITOR	0.1uF 16V	1	
	C9401	NCJ11EK-106X-R	C CAPACITOR	10uF 25V	1	
	C9402	NCJ11EK-106X-R	C CAPACITOR	10uF 25V	1	
	C9403	NCB31CK-104X	C CAPACITOR	0.1uF 16V	1	
	C9404	NCB31CK-104X	C CAPACITOR	0.1uF 16V	1	
	C9405	NCB31HK-104X	C CAPACITOR	0.1uF 50V K	1	A
	C9405	NCB31EK-104X	C CAPACITOR	0.1uF 25V K	1	B,C
	C9411	NCB31HK-104X	C CAPACITOR	0.1uF 50V K	1	A
	C9411	NCB31EK-104X	C CAPACITOR	0.1uF 25V K	1	B,C
	C9412	NCJ11EK-106X-R	C CAPACITOR	10uF 25V	1	
	C9413	NDC31HJ-220X	C CAPACITOR	22pF 50V J	1	
	C9431	NCB31CK-104X	C CAPACITOR	0.1uF 16V	1	
	C9432	NCB31CK-104X	C CAPACITOR	0.1uF 16V	1	
	C9433	NCB31HK-104X	C CAPACITOR	0.1uF 50V K	1	
	C9434	NCB31CK-104X	C CAPACITOR	0.1uF 16V	1	
	C9501	NCJ11EK-106X-R	C CAPACITOR	10uF 25V	1	
	C9502	NCJ11EK-106X-R	C CAPACITOR	10uF 25V	1	
	C9511	NCB31CK-105X	C CAPACITOR	1uF 16V K	1	
	C9512	NCB31CK-104X	C CAPACITOR	0.1uF 16V	1	
	C9513	NCB31CK-104X	C CAPACITOR	0.1uF 16V	1	
	C9514	NCJ11EK-106X-R	C CAPACITOR	10uF 25V	1	A
	C9515	NCJ11EK-106X-R	C CAPACITOR	10uF 25V	1	
	C9701	NBE41DM-106X	TA E CAPACITOR	10uF 20V M	1	
	C9702	NCB31CK-104X	C CAPACITOR	0.1uF 16V	1	
	C9703	NBE41DM-106X	TA E CAPACITOR	10uF 20V M	1	
	C9704	NBE41DM-106X	TA E CAPACITOR	10uF 20V M	1	
	C9711	NCB31CK-105X	C CAPACITOR	1uF 16V K	1	
	C9712	NCB31CK-105X	C CAPACITOR	1uF 16V K	1	
	C9713	NDC31HJ-390X	C CAPACITOR	39pF 50V J	1	
	C9714	NDC31HJ-390X	C CAPACITOR	39pF 50V J	1	
	C9721	NCB31CK-105X	C CAPACITOR	1uF 16V K	1	
	C9722	NCB31CK-105X	C CAPACITOR	1uF 16V K	1	
	C9723	NDC31HJ-390X	C CAPACITOR	39pF 50V J	1	
	C9724	NDC31HJ-390X	C CAPACITOR	39pF 50V J	1	
	C9731	NCB31CK-105X	C CAPACITOR	1uF 16V K	1	
	C9732	NCB31CK-105X	C CAPACITOR	1uF 16V K	1	
	C9733	NDC31HJ-101X	C CAPACITOR	100pF 50V J	1	
	C9734	NDC31HJ-101X	C CAPACITOR	100pF 50V J	1	
	C9741	NCB31CK-105X	C CAPACITOR	1uF 16V K	1	
	C9742	NCB31CK-105X	C CAPACITOR	1uF 16V K	1	
	C9743	NDC31HJ-101X	C CAPACITOR	100pF 50V J	1	
	C9744	NDC31HJ-101X	C CAPACITOR	100pF 50V J	1	
	C9751	NCB31CK-105X	C CAPACITOR	1uF 16V K	1	
	C9752	NCB31CK-105X	C CAPACITOR	1uF 16V K	1	
	C9753	NDC31HJ-560X	C CAPACITOR	56pF 50V J	1	
	C9754	NDC31HJ-560X	C CAPACITOR	56pF 50V J	1	
	C9761	NCB31CK-105X	C CAPACITOR	1uF 16V K	1	
	C9762	NCB31CK-105X	C CAPACITOR	1uF 16V K	1	
	C9763	NDC31HJ-560X	C CAPACITOR	56pF 50V J	1	
	C9764	NDC31HJ-560X	C CAPACITOR	56pF 50V J	1	
	C9771	NCB31CK-105X	C CAPACITOR	1uF 16V K	1	
	C9801	NEAF0JM-107X	E CAPACITOR	100uF 6.3V M	1	
	C9811	NCB31CK-104X	C CAPACITOR	0.1uF 16V	1	
	C9812	NCB31CK-104X	C CAPACITOR	0.1uF 16V	1	
	C9825	NCB31CK-105X	C CAPACITOR	1uF 16V K	1	
	C9826	NCB31CK-105X	C CAPACITOR	1uF 16V K	1	
	C9827	NCB31CK-105X	C CAPACITOR	1uF 16V K	1	
	C9828	NCB31CK-105X	C CAPACITOR	1uF 16V K	1	
	C9841	NCB31HK-103X	C CAPACITOR	0.01uF 50V K	1	
	C9911	NBE51CM-476X	TA E CAPACITOR	47uF 16V M	1	
	C9912	NCB31CK-104X	C CAPACITOR	0.1uF 16V	1	
	C9913	NBE41CM-226X	TA E CAPACITOR	22uF 16V M	1	
	C9914	NCB31HK-103X	C CAPACITOR	0.01uF 50V K	1	
	C9921	NCB31CK-104X	C CAPACITOR	0.1uF 16V	1	
	C9922	NBE41AM-226X	TA E CAPACITOR	22uF 10V M	1	
	C9923	NCB31CK-104X	C CAPACITOR	0.1uF 16V	1	
	C9924	NCB31HK-103X	C CAPACITOR	0.01uF 50V K	1	
	C9931	NCB31CK-104X	C CAPACITOR	0.1uF 16V	1	
	C9932	NBE41AM-226X	TA E CAPACITOR	22uF 10V M	1	
	C9933	NCB31CK-104X	C CAPACITOR	0.1uF 16V	1	
	C9934	NCB31HK-103X	C CAPACITOR	0.01uF 50V K	1	
	C9941	NCJ11EK-106X-R	C CAPACITOR	10uF 25V	1	
	C9942	NCB31CK-104X	C CAPACITOR	0.1uF 16V	1	
	C9943	NBE41DM-106X	TA E CAPACITOR	10uF 20V M	1	
	C9944	NCJ11EK-106X-R	C CAPACITOR	10uF 25V	1	
	R9011	NRSA63J-101X	MG RESISTOR	100Ω 1/16W J	1	
	R9012	NRSA63J-101X	MG RESISTOR	100Ω 1/16W J	1	
	R9013	NRSA63J-102X	MG RESISTOR	1kΩ 1/16W J	1	
	R9014	NRSA63J-102X	MG RESISTOR	1kΩ 1/16W J	1	
	R9015	NRSA63J-102X	MG RESISTOR	1kΩ 1/16W J	1	
	R9016	NRSA63J-102X	MG RESISTOR	1kΩ 1/16W J	1	
	R9017	NRSA63J-102X	MG RESISTOR	1kΩ 1/16W J	1	
	R9018	NRSA63J-102X	MG RESISTOR	1kΩ 1/16W J	1	
	R9019	NRSA63J-102X	MG RESISTOR	1kΩ 1/16W J	1	
	R9020	NRSA63J-102X	MG RESISTOR	1kΩ 1/16W J	1	
	R9021	NRSA63J-102X	MG RESISTOR	1kΩ 1/16W J	1	
	R9022	NRSA63J-0R0X	MG RESISTOR	0Ω 1/10W J	1	
	R9023	NRSA63J-472X	MG RESISTOR	4.7kΩ 1/16W J	1	

MODEL	MARK	MODEL	MARK	MODEL	MARK
KW-NT30E	A	KW-NT30HDJ	B	KW-NT50HDTJ	C

Safe	Symbol No.	Parts No.	Parts Name	Description	QTY	Local
	R9024	NRSA63J-472X	MG RESISTOR	4.7kΩ 1/16W J	1	
	R9025	NRSA63J-103X	MG RESISTOR	10kΩ 1/16W J	1	
	R9031	NRSA63J-0R0X	MG RESISTOR	0Ω 1/10W J	1	
	R9032	NRSA63J-102X	MG RESISTOR	1kΩ 1/16W J	1	
	R9033	NRSA63J-102X	MG RESISTOR	1kΩ 1/16W J	1	
	R9034	NRSA63J-102X	MG RESISTOR	1kΩ 1/16W J	1	
	R9035	NRSA63J-102X	MG RESISTOR	1kΩ 1/16W J	1	
	R9036	NRSA63J-561X	MG RESISTOR	560Ω 1/16W J	1	
	R9037	NRSA63J-561X	MG RESISTOR	560Ω 1/16W J	1	
	R9038	NRSA63J-101X	MG RESISTOR	100Ω 1/16W J	1	
	R9039	NRSA63J-102X	MG RESISTOR	1kΩ 1/16W J	1	
	R9040	NRSA63J-102X	MG RESISTOR	1kΩ 1/16W J	1	
	R9043	NRSA63J-103X	MG RESISTOR	10kΩ 1/16W J	1	
	R9051	NRSA63J-102X	MG RESISTOR	1kΩ 1/16W J	1	
	R9052	NRSA63J-102X	MG RESISTOR	1kΩ 1/16W J	1	
	R9053	NRSA63J-102X	MG RESISTOR	1kΩ 1/16W J	1	
	R9054	NRSA63J-102X	MG RESISTOR	1kΩ 1/16W J	1	
	R9055	NRSA63J-102X	MG RESISTOR	1kΩ 1/16W J	1	
	R9056	NRSA63J-102X	MG RESISTOR	1kΩ 1/16W J	1	
	R9057	NRSA63J-102X	MG RESISTOR	1kΩ 1/16W J	1	
	R9058	NRSA63J-102X	MG RESISTOR	1kΩ 1/16W J	1	
	R9059	NRSA63J-102X	MG RESISTOR	1kΩ 1/16W J	1	
	R9060	NRSA63J-102X	MG RESISTOR	1kΩ 1/16W J	1	
	R9061	NRSA63J-102X	MG RESISTOR	1kΩ 1/16W J	1	
	R9062	NRSA63J-102X	MG RESISTOR	1kΩ 1/16W J	1	
	R9063	NRSA63J-822X	MG RESISTOR	8.2kΩ 1/16W J	1	
	R9064	NRSA63J-152X	MG RESISTOR	1.5kΩ 1/16W J	1	
	R9065	NRSA63J-152X	MG RESISTOR	1.5kΩ 1/16W J	1	
	R9071	NRSA63J-103X	MG RESISTOR	10kΩ 1/16W J	1	
	R9072	NRSA63J-103X	MG RESISTOR	10kΩ 1/16W J	1	
	R9073	NRSA63J-103X	MG RESISTOR	10kΩ 1/16W J	1	
	R9074	NRSA63J-222X	MG RESISTOR	2.2kΩ 1/16W J	1	
	R9075	NRSA63J-102X	MG RESISTOR	1kΩ 1/16W J	1	
	R9076	NRSA63J-472X	MG RESISTOR	4.7kΩ 1/16W J	1	
	R9077	NRSA63J-102X	MG RESISTOR	1kΩ 1/16W J	1	
	R9083	NRSA63J-473X	MG RESISTOR	47kΩ 1/16W J	1	
	R9091	NRSA63J-473X	MG RESISTOR	47kΩ 1/16W J	1	
	R9092	NRSA63J-473X	MG RESISTOR	47kΩ 1/16W J	1	
	R9093	NRSA63J-0R0X	MG RESISTOR	0Ω 1/10W J	1	
	R9096	NRSA63J-473X	MG RESISTOR	47kΩ 1/16W J	1	
	R9097	NRSA63J-473X	MG RESISTOR	47kΩ 1/16W J	1	
	R9098	NRSA63J-0R0X	MG RESISTOR	0Ω 1/10W J	1	
	R9101	NRSA63J-332X	MG RESISTOR	3.3kΩ 1/16W J	1	
	R9102	NRSA63J-223X	MG RESISTOR	22kΩ 1/16W J	1	
	R9103	NRSA63J-222X	MG RESISTOR	2.2kΩ 1/16W J	1	
	R9104	NRSA63J-332X	MG RESISTOR	3.3kΩ 1/16W J	1	
	R9105	NRSA63J-223X	MG RESISTOR	22kΩ 1/16W J	1	
	R9106	NRSA63J-222X	MG RESISTOR	2.2kΩ 1/16W J	1	
	R9107	NRSA63J-104X	MG RESISTOR	100kΩ 1/16W J	1	
	R9111	NRSA63J-332X	MG RESISTOR	3.3kΩ 1/16W J	1	
	R9112	NRSA63J-223X	MG RESISTOR	22kΩ 1/16W J	1	
	R9113	NRSA63J-222X	MG RESISTOR	2.2kΩ 1/16W J	1	
	R9114	NRSA63J-332X	MG RESISTOR	3.3kΩ 1/16W J	1	
	R9115	NRSA63J-223X	MG RESISTOR	22kΩ 1/16W J	1	
	R9116	NRSA63J-222X	MG RESISTOR	2.2kΩ 1/16W J	1	
	R9117	NRSA63J-104X	MG RESISTOR	100kΩ 1/16W J	1	
	R9122	NRSA63J-223X	MG RESISTOR	22kΩ 1/16W J	1	
	R9123	NRSA63J-223X	MG RESISTOR	22kΩ 1/16W J	1	
	R9125	NRSA63J-222X	MG RESISTOR	2.2kΩ 1/16W J	1	
	R9221	NRSA63J-683X	MG RESISTOR	68kΩ 1/16W J	1	
	R9224	NRSA63J-101X	MG RESISTOR	100Ω 1/16W J	1	
	R9226	NRSA63J-101X	MG RESISTOR	100Ω 1/16W J	1	
	R9227	NRSA63J-101X	MG RESISTOR	100Ω 1/16W J	1	
	R9229	NRSA63J-0R0X	MG RESISTOR	0Ω 1/10W J	1	
	R9241	NRSA63J-101X	MG RESISTOR	100Ω 1/16W J	1	
	R9242	NRSA63J-101X	MG RESISTOR	100Ω 1/16W J	1	
	R9247	NRSA63J-101X	MG RESISTOR	100Ω 1/16W J	1	
	R9248	NRSA63J-102X	MG RESISTOR	1kΩ 1/16W J	1	
	R9249	NRSA63J-102X	MG RESISTOR	1kΩ 1/16W J	1	
	R9250	NRSA63J-330X	MG RESISTOR	33Ω 1/16W J	1	
	R9251	NRSA63J-330X	MG RESISTOR	33Ω 1/16W J	1	
	R9252	NRSA63J-330X	MG RESISTOR	33Ω 1/16W J	1	
	R9253	NRSA63J-330X	MG RESISTOR	33Ω 1/16W J	1	
	R9256	NRSA63J-330X	MG RESISTOR	33Ω 1/16W J	1	
	R9257	NRSA63J-330X	MG RESISTOR	33Ω 1/16W J	1	
	R9258	NRSA63J-330X	MG RESISTOR	33Ω 1/16W J	1	
	R9259	NRSA63J-330X	MG RESISTOR	33Ω 1/16W J	1	
	R9272	NRSA63J-330X	MG RESISTOR	33Ω 1/16W J	1	
	R9273	NRSA63J-330X	MG RESISTOR	33Ω 1/16W J	1	
	R9274	NRSA63J-330X	MG RESISTOR	33Ω 1/16W J	1	
	R9275	NRSA63J-101X	MG RESISTOR	100Ω 1/16W J	1	
	R9276	NRSA63J-101X	MG RESISTOR	100Ω 1/16W J	1	
	R9277	NRSA63J-101X	MG RESISTOR	100Ω 1/16W J	1	
	R9278	NRSA63J-101X	MG RESISTOR	100Ω 1/16W J	1	
	R9279	NRSA63J-101X	MG RESISTOR	100Ω 1/16W J	1	
	R9280	NRSA63J-101X	MG RESISTOR	100Ω 1/16W J	1	
	R9281	NRSA63J-101X	MG RESISTOR	100Ω 1/16W J	1	
	R9282	NRSA63J-101X	MG RESISTOR	100Ω 1/16W J	1	
	R9283	NRSA63J-101X	MG RESISTOR	100Ω 1/16W J	1	
	R9284	NRSA63J-470X	MG RESISTOR	47Ω 1/16W J	1	
	R9285	NRSA63J-105X	MG RESISTOR	1MΩ 1/16W J	1	
	R9286	NRSA63J-102X	MG RESISTOR	1kΩ 1/16W J	1	
	R9301	NRSA63J-102X	MG RESISTOR	1kΩ 1/16W J	1	

MODEL	MARK	MODEL	MARK	MODEL	MARK
KW-NT30E	A	KW-NT30HDJ	B	KW-NT50HDTJ	C

Safe	Symbol No.	Parts No.	Parts Name	Description	QTY	Local
	R9302	NRSA63J-101X	MG RESISTOR	100Ω 1/16W J	1	
	R9303	NRSA63J-101X	MG RESISTOR	100Ω 1/16W J	1	
	R9316	NRSA63J-101X	MG RESISTOR	100Ω 1/16W J	1	
	R9317	NRSA63J-101X	MG RESISTOR	100Ω 1/16W J	1	
	R9411	NRSA63D-473X	MG RESISTOR	47kΩ 1/16W D	1	
	R9412	NRSA63D-243X	MG RESISTOR	24kΩ 1/16W D	1	
	R9413	NRSA63J-390X	MG RESISTOR	39Ω 1/16W J	1	
	R9414	NRSA63J-104X	MG RESISTOR	100kΩ 1/16W J	1	
	R9415	NRSA63D-103X	MG RESISTOR	10kΩ 1/16W D	1	
	R9418	NRSA63D-183X	MG RESISTOR	18kΩ 1/16W D	1	
	R9419	NRSA63J-0R0X	MG RESISTOR	0Ω 1/10W J	1	
	R9431	NRSA63J-0R0X	MG RESISTOR	0Ω 1/10W J	1	
	R9432	NRSA63J-0R0X	MG RESISTOR	0Ω 1/10W J	1	
	R9433	NRSA63J-0R0X	MG RESISTOR	0Ω 1/10W J	1	
	R9511	NRSA63J-0R0X	MG RESISTOR	0Ω 1/10W J	1	
	R9512	NRSA63J-302X	MG RESISTOR	3kΩ 1/16W J	1	
	R9513	NRSA63J-302X	MG RESISTOR	3kΩ 1/16W J	1	
	R9514	NRSA63J-0R0X	MG RESISTOR	0Ω 1/10W J	1	
	R9515	NRSA63J-0R0X	MG RESISTOR	0Ω 1/10W J	1	
	R9516	NRSA63J-105X	MG RESISTOR	1MΩ 1/16W J	1	
	R9517	NRSA63J-333X	MG RESISTOR	33kΩ 1/16W J	1	
	R9518	NRSA63J-2R4X	MG RESISTOR	2.4Ω 1/16W J	1	
	R9519	NRSA63J-2R4X	MG RESISTOR	2.4Ω 1/16W J	1	
	R9520	NRSA63J-102X	MG RESISTOR	1kΩ 1/16W J	1	
	R9711	NRSA63J-223X	MG RESISTOR	22kΩ 1/16W J	1	
	R9712	NRSA63J-223X	MG RESISTOR	22kΩ 1/16W J	1	
	R9713	NRSA63J-473X	MG RESISTOR	47kΩ 1/16W J	1	
	R9714	NRSA63J-473X	MG RESISTOR	47kΩ 1/16W J	1	
	R9721	NRSA63J-223X	MG RESISTOR	22kΩ 1/16W J	1	
	R9722	NRSA63J-223X	MG RESISTOR	22kΩ 1/16W J	1	
	R9723	NRSA63J-473X	MG RESISTOR	47kΩ 1/16W J	1	
	R9724	NRSA63J-473X	MG RESISTOR	47kΩ 1/16W J	1	
	R9730	NRSA63J-333X	MG RESISTOR	33kΩ 1/16W J	1	
	R9731	NRSA63J-223X	MG RESISTOR	22kΩ 1/16W J	1	
	R9732	NRSA63J-223X	MG RESISTOR	22kΩ 1/16W J	1	
	R9733	NRSA63J-223X	MG RESISTOR	22kΩ 1/16W J	1	
	R9734	NRSA63J-223X	MG RESISTOR	22kΩ 1/16W J	1	
	R9740	NRSA63J-333X	MG RESISTOR	33kΩ 1/16W J	1	
	R9741	NRSA63J-223X	MG RESISTOR	22kΩ 1/16W J	1	
	R9742	NRSA63J-223X	MG RESISTOR	22kΩ 1/16W J	1	
	R9743	NRSA63J-223X	MG RESISTOR	22kΩ 1/16W J	1	
	R9744	NRSA63J-223X	MG RESISTOR	22kΩ 1/16W J	1	
	R9751	NRSA63J-223X	MG RESISTOR	22kΩ 1/16W J	1	
	R9752	NRSA63J-223X	MG RESISTOR	22kΩ 1/16W J	1	
	R9753	NRSA63J-363X	MG RESISTOR	36kΩ 1/16W J	1	
	R9754	NRSA63J-363X	MG RESISTOR	36kΩ 1/16W J	1	
	R9761	NRSA63J-223X	MG RESISTOR	22kΩ 1/16W J	1	
	R9762	NRSA63J-223X	MG RESISTOR	22kΩ 1/16W J	1	
	R9763	NRSA63J-363X	MG RESISTOR	36kΩ 1/16W J	1	
	R9764	NRSA63J-363X	MG RESISTOR	36kΩ 1/16W J	1	
	R9771	NRSA63J-222X	MG RESISTOR	2.2kΩ 1/16W J	1	
	R9821	NRSA63J-0R0X	MG RESISTOR	0Ω 1/10W J	1	
	R9822	NRSA63J-0R0X	MG RESISTOR	0Ω 1/10W J	1	
	R9823	NRSA63J-0R0X	MG RESISTOR	0Ω 1/10W J	1	
	R9824	NRSA63J-0R0X	MG RESISTOR	0Ω 1/10W J	1	
	R9825	NRSA63J-331X	MG RESISTOR	330Ω 1/16W J	1	
	R9826	NRSA63J-331X	MG RESISTOR	330Ω 1/16W J	1	
	R9827	NRSA63J-331X	MG RESISTOR	330Ω 1/16W J	1	
	R9828	NRSA63J-331X	MG RESISTOR	330Ω 1/16W J	1	
	R9831	NRSA63J-0R0X	MG RESISTOR	0Ω 1/10W J	1	
	R9832	NRSA63J-0R0X	MG RESISTOR	0Ω 1/10W J	1	
	R9833	NRSA63J-0R0X	MG RESISTOR	0Ω 1/10W J	1	
	R9834	NRSA63J-0R0X	MG RESISTOR	0Ω 1/10W J	1	
	R9841	NRSA63J-0R0X	MG RESISTOR	0Ω 1/10W J	1	
	R9941	NRSA63D-133X	MG RESISTOR	13kΩ 1/16W D	1	
	R9942	NRSA63D-222X	MG RESISTOR	2.2kΩ 1/16W D	1	
	R9993	NRSA63J-103X	MG RESISTOR	10kΩ 1/16W J	1	
	R9994	NRSA02J-0R0X	MG RESISTOR	0Ω 1/10W J	1	
	R9995	NRSA02J-0R0X	MG RESISTOR	0Ω 1/10W J	1	
	L9001	NQL79GK-100X	COIL	10uH K	1	
	L9201	NQL79GK-100X	COIL	10uH K	1	
	L9202	NQL79GK-100X	COIL	10uH K	1	
	L9401	NQL79GK-100X	COIL	10uH K	1	
	L9402	NQL79GK-100X	COIL	10uH K	1	
	L9501	NQL79GK-470X	COIL	47uH K	1	
	L9511	NQL52EM-100X	COIL	10uH M	1	
	L9701	NQL79GK-101X	COIL	100uH K	1	
	L9801	NQL79GK-100X	COIL	10uH K	1	
	L9911	NRSA02J-0R0X	MG RESISTOR	0Ω 1/10W J	1	
	AT980	NNZ0196-001X	COAXIAL JACK		1	
	CN901	QGB0812L2-40X	CONNECTOR	B-B (1-40)	1	
	CN902	QGF0522F5-17W	CONNECTOR	FFC/FPC (1-17)	1	
	CN911	QGF1039F3-04X	CONNECTOR	FFC/FPC (1-4)	1	
	CN921	QGB0812L2-30X	CONNECTOR	B-B (1-30)	1	
	CN941	QGF0534F2-30X	CONNECTOR	FFC/FPC (1-30)	1	
	CN951	QGA2001F6-02X	CONNECTOR	W-B (1-2)	1	
	EP991	NNZ0129-001X	EARTH TERMINAL		1	
	EP992	NNZ0129-001X	EARTH TERMINAL		1	
	EP993	NNZ0129-001X	EARTH TERMINAL		1	
	EP994	NNZ0129-001X	EARTH TERMINAL		1	
	EP995	NNZ0129-001X	EARTH TERMINAL		1	
△	F9001	NMFZ018-R75X-E	FUSE	0.75A	1	

MODEL	MARK	MODEL	MARK	MODEL	MARK
KW-NT30E	A	KW-NT30HDJ	B	KW-NT50HDTJ	C

Safe	Symbol No.	Parts No.	Parts Name	Description	QTY	Local
△	F9801	NMFZ018-R75X-E	FUSE	0.75A	1	
	TH901	NAD0028-103X	N THERMISTOR	10kΩ	1	
	X9211	NAX0983-001X	CRYSTAL	27.000MHz	1	
GPS board <05>						
	IC701	NAU0010-001X	RF MODULE		1	
	IC702	XC6401FH25DG-X	IC		1	
	IC704	MM3271FU-X	IC		1	
	IC705	IC-PST3625U-X	IC		1	
	IC706	TC74LCX07FT-F-X	IC(DIGITAL)		1	
	Q7091	RTR020P02-X	MOS FET		1	
	D7041	RB751V-40-X	SB DIODE		1	
	D7042	RB751V-40-X	SB DIODE		1	
	C7011	NDC31HJ-101X	C CAPACITOR	100pF 50V J	1	
	C7012	NCB31HK-102X	C CAPACITOR	1000pF 50V K	1	
	C7013	NCB31CK-105X	C CAPACITOR	1uF 16V K	1	
	C7014	NDC31HJ-120X	C CAPACITOR	12pF 50V J	1	
	C7015	NDC31HJ-120X	C CAPACITOR	12pF 50V J	1	
	C7016	NCB21AK-225X-A	C CAPACITOR	2.2uF 10V K	1	
	C7017	NCB31CK-105X	C CAPACITOR	1uF 16V K	1	
	C7018	NCB31CK-105X	C CAPACITOR	1uF 16V K	1	
	C7021	NDC31HJ-101X	C CAPACITOR	100pF 50V J	1	
	C7022	NCB31CK-105X	C CAPACITOR	1uF 16V K	1	
	C7023	NCB21AK-225X-A	C CAPACITOR	2.2uF 10V K	1	
	C7024	NCB21AK-225X-A	C CAPACITOR	2.2uF 10V K	1	
	C7025	NCB31HK-471X	C CAPACITOR	470pF 50V K	1	
	C7041	NDC31HJ-101X	C CAPACITOR	100pF 50V J	1	
	C7042	NCB31CK-104X	C CAPACITOR	0.1uF 16V	1	
	C7043	NCB31CK-104X	C CAPACITOR	0.1uF 16V	1	
	C7051	NCB31CK-104X	C CAPACITOR	0.1uF 16V	1	
	C7052	NCB31CK-474X	C CAPACITOR	0.47uF 16V K	1	
	C7061	NCB31CK-104X	C CAPACITOR	0.1uF 16V	1	
	C7071	NDC31HJ-101X	C CAPACITOR	100pF 50V J	1	
	C7072	NDC31HJ-101X	C CAPACITOR	100pF 50V J	1	
	C7073	NCJ20JM-226X-A	C CAPACITOR	22uF 6.3V M	1	
	C7074	NDC31HJ-120X	C CAPACITOR	12pF 50V J	1	
	C7075	NDC31HJ-120X	C CAPACITOR	12pF 50V J	1	
△	C7076	NDC31HJ-101X	C CAPACITOR	100pF 50V J	1	
	C7077	NDC31HJ-101X	C CAPACITOR	100pF 50V J	1	
	C7078	NDC31HJ-101X	C CAPACITOR	100pF 50V J	1	
	C7079	NDC31HJ-101X	C CAPACITOR	100pF 50V J	1	
	C7080	NDC31HJ-101X	C CAPACITOR	100pF 50V J	1	
	C7081	NDC31HJ-101X	C CAPACITOR	100pF 50V J	1	
	C7091	NDC31HJ-120X	C CAPACITOR	12pF 50V J	1	
	C7092	NDCA1HJ-101W	C CAPACITOR	100pF 50V J	1	
	C7093	NDCA1HJ-4R0W	C CAPACITOR	4pF 50V J	1	
	C7094	NDCA1HJ-2R0W	C CAPACITOR	2pF 50V J	1	
	R7011	NRSA63J-472X	MG RESISTOR	4.7kΩ 1/16W J	1	
	R7012	NRSA63J-103X	MG RESISTOR	10kΩ 1/16W J	1	
	R7022	NRSA63J-104X	MG RESISTOR	100kΩ 1/16W J	1	
	R7023	NRSA63J-101X	MG RESISTOR	100Ω 1/16W J	1	
	R7041	NRSA63J-103X	MG RESISTOR	10kΩ 1/16W J	1	
	R7051	NRSA63J-104X	MG RESISTOR	100kΩ 1/16W J	1	
	R7061	NRSA63J-222X	MG RESISTOR	2.2kΩ 1/16W J	1	
	R7062	NRSA63J-103X	MG RESISTOR	10kΩ 1/16W J	1	
	R7063	NRSA63J-103X	MG RESISTOR	10kΩ 1/16W J	1	
	R7064	NRSA63J-103X	MG RESISTOR	10kΩ 1/16W J	1	
	R7071	NRSA63J-221X	MG RESISTOR	220Ω 1/16W J	1	
	R7072	NRSA63J-101X	MG RESISTOR	100Ω 1/16W J	1	
	R7073	NRSA63J-101X	MG RESISTOR	100Ω 1/16W J	1	
	R7074	NRSA63J-101X	MG RESISTOR	100Ω 1/16W J	1	
	R7075	NRSA63J-101X	MG RESISTOR	100Ω 1/16W J	1	
	R7076	NRSA63J-101X	MG RESISTOR	100Ω 1/16W J	1	
	R7077	NRSA63J-101X	MG RESISTOR	100Ω 1/16W J	1	
	R7091	NRSA63J-220X	MG RESISTOR	22Ω 1/16W J	1	
	R7092	NRSA63J-103X	MG RESISTOR	10kΩ 1/16W J	1	
	R7093	NRSA6AJ-122W	MG RESISTOR	1.2kΩ 1/16W J	1	
	R7094	NRSA6AJ-3R9W	MG RESISTOR	3.9Ω 1/16W J	1	
	R7095	NRSA6AJ-122W	MG RESISTOR	1.2kΩ 1/16W J	1	
	R7097	NRSA6AJ-0R0W	MG RESISTOR	0Ω 1/16W J	1	
	L7011	NQR0436-001X	EMI FILTER		1	
	L7061	NQR0201-005X	FERRITE BEADS		1	
	L7062	NQR0201-005X	FERRITE BEADS		1	
	L7091	NQL10AJ-39NX	COIL	39nH J	1	
	L7093	NQL10A3-2N7X	COIL	2.7nH 3	1	
	L7094	NQR0652-001X	EMI FILTER		1	
	CN707	QGB1004K2-12W	CONNECTOR	B-B (1-12)	1	
	CN709	QAM0953-001	CAR CABLE		1	
	EP702	NNZ0129-001X	EARTH TERMINAL		1	
	EP703	NNZ0129-001X	EARTH TERMINAL		1	
HDR board KW-NT30HD,50HDT<06>						
△	IC101	SAF3560HV/V1103	IC		1	B,C
△	IC101	SAF3560HV/V1203	IC		1	B,C
	IC181	JVM480D	PROGRAMED IC		1	B,C
	IC191	M12L25616A6TG2K	IC(DIGITAL)		1	B,C
	IC294	MM1701CH-X	IC		1	B,C
	Q101	RT1N141C-X	DIGI TRANSISTOR		1	B,C
	C101	NCB31CK-105X	C CAPACITOR	1uF 16V K	1	B,C
	C102	NCBA1HK-471W	C CAPACITOR	470pF 50V K	1	B,C
	C103	NCB31CK-105X	C CAPACITOR	1uF 16V K	1	B,C
	C104	NCB31CK-105X	C CAPACITOR	1uF 16V K	1	B,C
	C105	NCB31CK-105X	C CAPACITOR	1uF 16V K	1	B,C
	C106	NCB31CK-105X	C CAPACITOR	1uF 16V K	1	B,C
	C107	NCB31CK-105X	C CAPACITOR	1uF 16V K	1	B,C

MODEL	MARK	MODEL	MARK	MODEL	MARK
KW-NT30E	A	KW-NT30HDJ	B	KW-NT50HDTJ	C

Safe	Symbol No.	Parts No.	Parts Name	Description	QTY	Local
	C108	NCB31CK-105X	C CAPACITOR	1uF 16V K	1	B,C
	C109	NCB31CK-105X	C CAPACITOR	1uF 16V K	1	B,C
	C110	NDCA1HJ-5R0W	C CAPACITOR	5pF 50V J	1	B,C
	C111	NCB31CK-105X	C CAPACITOR	1uF 16V K	1	B,C
	C112	NDCA1HJ-5R0W	C CAPACITOR	5pF 50V J	1	B,C
	C113	NCB31CK-105X	C CAPACITOR	1uF 16V K	1	B,C
	C114	NCB31CK-105X	C CAPACITOR	1uF 16V K	1	B,C
	C115	NCB31CK-105X	C CAPACITOR	1uF 16V K	1	B,C
	C116	NCB31CK-105X	C CAPACITOR	1uF 16V K	1	B,C
	C117	NCB31CK-105X	C CAPACITOR	1uF 16V K	1	B,C
	C118	NCB31CK-105X	C CAPACITOR	1uF 16V K	1	B,C
	C119	NCB31CK-105X	C CAPACITOR	1uF 16V K	1	B,C
	C120	NCB31CK-105X	C CAPACITOR	1uF 16V K	1	B,C
	C121	NCB31CK-105X	C CAPACITOR	1uF 16V K	1	B,C
	C122	NCB31CK-105X	C CAPACITOR	1uF 16V K	1	B,C
	C123	NCB31CK-105X	C CAPACITOR	1uF 16V K	1	B,C
	C124	NCB31CK-105X	C CAPACITOR	1uF 16V K	1	B,C
	C125	NCB31CK-105X	C CAPACITOR	1uF 16V K	1	B,C
	C126	NCB31CK-105X	C CAPACITOR	1uF 16V K	1	B,C
	C127	NCB31CK-105X	C CAPACITOR	1uF 16V K	1	B,C
	C128	NCB31CK-105X	C CAPACITOR	1uF 16V K	1	B,C
	C129	NCB31CK-105X	C CAPACITOR	1uF 16V K	1	B,C
	C130	NCB31CK-105X	C CAPACITOR	1uF 16V K	1	B,C
	C131	NCB31CK-105X	C CAPACITOR	1uF 16V K	1	B,C
	C132	NCB31CK-105X	C CAPACITOR	1uF 16V K	1	B,C
	C133	NCB31CK-105X	C CAPACITOR	1uF 16V K	1	B,C
	C134	NCB31CK-105X	C CAPACITOR	1uF 16V K	1	B,C
	C141	NDCA1HJ-270W	C CAPACITOR	27pF 50V J	1	B,C
	C142	NDCA1HJ-270W	C CAPACITOR	27pF 50V J	1	B,C
	C143	NDCA1HJ-270W	C CAPACITOR	27pF 50V J	1	B,C
	C144	NDCA1HJ-270W	C CAPACITOR	27pF 50V J	1	B,C
	C145	NDCA1HJ-270W	C CAPACITOR	27pF 50V J	1	B,C
	C146	NDCA1HJ-270W	C CAPACITOR	27pF 50V J	1	B,C
	C147	NDCA1HJ-270W	C CAPACITOR	27pF 50V J	1	B,C
	C148	NDCA1HJ-270W	C CAPACITOR	27pF 50V J	1	B,C
	C149	NDCA1HJ-270W	C CAPACITOR	27pF 50V J	1	B,C
	C150	NDCA1HJ-270W	C CAPACITOR	27pF 50V J	1	B,C
	C151	NDCA1HJ-270W	C CAPACITOR	27pF 50V J	1	B,C
	C152	NDCA1HJ-270W	C CAPACITOR	27pF 50V J	1	B,C
	C181	NCB31CK-105X	C CAPACITOR	1uF 16V K	1	B,C
	C191	NCB31CK-105X	C CAPACITOR	1uF 16V K	1	B,C
	C192	NCB31CK-105X	C CAPACITOR	1uF 16V K	1	B,C
	C193	NCB31CK-105X	C CAPACITOR	1uF 16V K	1	B,C
	C194	NCB31CK-105X	C CAPACITOR	1uF 16V K	1	B,C
	C195	NCB31CK-105X	C CAPACITOR	1uF 16V K	1	B,C
	C196	NCB31CK-105X	C CAPACITOR	1uF 16V K	1	B,C
	C197	NCB31CK-105X	C CAPACITOR	1uF 16V K	1	B,C
	C2973	NEAG0JM-476X	E CAPACITOR	47uF 6.3V M	1	B,C
	C2974	NCB31CK-104X	C CAPACITOR	0.1uF 16V	1	B,C
	C2975	NCB31HK-103X	C CAPACITOR	0.01uF 50V K	1	B,C
	C2976	NEAG0JM-476X	E CAPACITOR	47uF 6.3V M	1	B,C
	C2977	NCB31CK-104X	C CAPACITOR	0.1uF 16V	1	B,C
	R102	NRSA6AJ-103W	MG RESISTOR	10kΩ 1/16W J	1	B,C
	R104	NRSA6AJ-470W	MG RESISTOR	47Ω 1/16W J	1	B,C
	R105	NRSA6AJ-470W	MG RESISTOR	47Ω 1/16W J	1	B,C
	R106	NRSA6AJ-101W	MG RESISTOR	100Ω 1/16W J	1	B,C
	R107	NRSA6AJ-470W	MG RESISTOR	47Ω 1/16W J	1	B,C
	R110	NRSA6AJ-101W	MG RESISTOR	100Ω 1/16W J	1	B,C
	R111	NRSA6AJ-470W	MG RESISTOR	47Ω 1/16W J	1	B,C
	R113	NRSA6AJ-470W	MG RESISTOR	47Ω 1/16W J	1	B,C
	R118	NRSA63J-0R0X	MG RESISTOR	0Ω 1/10W J	1	B,C
	R119	NRSA63J-0R0X	MG RESISTOR	0Ω 1/10W J	1	B,C
	R160	NRSA6AJ-0R0W	MG RESISTOR	0Ω 1/16W J	1	B,C
	R161	NRSA6AJ-0R0W	MG RESISTOR	0Ω 1/16W J	1	B,C
	R162	NRSA6AJ-0R0W	MG RESISTOR	0Ω 1/16W J	1	B,C
	R163	NRSA6AJ-0R0W	MG RESISTOR	0Ω 1/16W J	1	B,C
	R164	NRSA6AJ-103W	MG RESISTOR	10kΩ 1/16W J	1	B,C
	R165	NRSA6AJ-103W	MG RESISTOR	10kΩ 1/16W J	1	B,C
	R181	NRSA6AJ-103W	MG RESISTOR	10kΩ 1/16W J	1	B,C
	R182	NRSA6AJ-103W	MG RESISTOR	10kΩ 1/16W J	1	B,C
	R184	NRSA6AJ-101W	MG RESISTOR	100Ω 1/16W J	1	B,C
	R185	NRSA6AJ-101W	MG RESISTOR	100Ω 1/16W J	1	B,C
	R186	NRSA6AJ-101W	MG RESISTOR	100Ω 1/16W J	1	B,C
	R187	NRSA6AJ-101W	MG RESISTOR	100Ω 1/16W J	1	B,C
	R2973	NRSA63J-222X	MG RESISTOR	2.2kΩ 1/16W J	1	B,C
	RA101	NRB04CJ-470W	NET RESISTOR	47Ω J	1	B,C
	RA102	NRB04CJ-470W	NET RESISTOR	47Ω J	1	B,C
	RA103	NRB04CJ-470W	NET RESISTOR	47Ω J	1	B,C
	RA104	NRB04CJ-470W	NET RESISTOR	47Ω J	1	B,C
	RA105	NRB04CJ-470W	NET RESISTOR	47Ω J	1	B,C
	RA106	NRB04CJ-470W	NET RESISTOR	47Ω J	1	B,C
	RA107	NRB04CJ-470W	NET RESISTOR	47Ω J	1	B,C
	RA108	NRB04CJ-470W	NET RESISTOR	47Ω J	1	B,C
	RA109	NRB04CJ-470W	NET RESISTOR	47Ω J	1	B,C
	RA110	NRB04CJ-470W	NET RESISTOR	47Ω J	1	B,C
	RA111	NRB04CJ-470W	NET RESISTOR	47Ω J	1	B,C
	RA112	NRB04CJ-470W	NET RESISTOR	47Ω J	1	B,C
	CN101	QGB0526K1-50X	CONNECTOR	B-B (1-50)	1	B,C
	X101	NAX0964-001X	CRYSTAL		1	B,C
	Front end board (FMU-XD5-21D) <07>					
	IC1	BD8215EFV-X	IC		1	A,B,C

MODEL	MARK	MODEL	MARK	MODEL	MARK
KW-NT30E	A	KW-NT30HDJ	B	KW-NT50HDTJ	C

Safe	Symbol No.	Parts No.	Parts Name	Description	QTY	Local
	IC3	MM3233CF-X	IC		1	A,B,C
	IC9	RT3CLLM/EF/-X	TRANSISTOR		1	A,B,C
	IC10	RT3K11M-X	MOS FET ARRAY		1	A,B,C
	IC301	MN2DS0018MA	IC		1	A,B,C
	IC302	MM1701CH-X	IC		1	A,B,C
	IC304	S-80828CNNB-G-W	IC		1	A,B,C
	IC398	JVM448E	PROGRAMED IC		1	A,B,C
	IC399	M12L1281687TG2T	IC(DIGITAL)		1	A,B,C
	IC399	or HY57V281620FTH	IC(DIGITAL)		1	A,B,C
	IC481	R1EX24032ATAA-X	IC		1	A,B,C
	IC501	TC74LCX373FT-X	IC(DIGITAL)		1	A,B,C
	IC502	TC74LCX373FT-X	IC(DIGITAL)		1	A,B,C
	Q2	RT1N141U-X	DIGI TRANSISTOR		1	A,B,C
	Q4	2SC3928A/R/-X	TRANSISTOR		1	A,B,C
	Q4	or 2SD601A/R/-X	TRANSISTOR		1	A,B,C
	Q7	2SC3928A/R/-X	TRANSISTOR		1	A,B,C
	Q7	or 2SD601A/R/-X	TRANSISTOR		1	A,B,C
	Q101	2SB1424/R/-W	TRANSISTOR		1	A,B,C
	Q103	2SB1424/R/-W	TRANSISTOR		1	A,B,C
	Q105	2SC4617/R/-X	TRANSISTOR		1	A,B,C
	Q301	RT1N441U-X	DIGI TRANSISTOR		1	A,B,C
	Q302	RT1N441U-X	DIGI TRANSISTOR		1	A,B,C
	D6	AN1102W-6-X	IR LED		1	A,B,C
	D7	AN1102W-6-X	IR LED		1	A,B,C
	D9	PS1192HB-22-X	PHOTO TRANSISTOR		1	A,B,C
	D11	PS1192HB-22-X	PHOTO TRANSISTOR		1	A,B,C
	C2	NCB31CK-104X	C CAPACITOR	0.1uF 16V	1	A,B,C
	C3	NCB31CK-104X	C CAPACITOR	0.1uF 16V	1	A,B,C
	C4	NCB31CK-104X	C CAPACITOR	0.1uF 16V	1	A,B,C
	C5	NCB31CK-104X	C CAPACITOR	0.1uF 16V	1	A,B,C
	C6	NCB31CK-104X	C CAPACITOR	0.1uF 16V	1	A,B,C
	C7	NCB31CK-104X	C CAPACITOR	0.1uF 16V	1	A,B,C
	C8	NCB31CK-104X	C CAPACITOR	0.1uF 16V	1	A,B,C
	C9	NCB31CK-104X	C CAPACITOR	0.1uF 16V	1	A,B,C
	C11	NCB31CK-104X	C CAPACITOR	0.1uF 16V	1	A,B,C
	C12	NCB31CK-104X	C CAPACITOR	0.1uF 16V	1	A,B,C
	C13	NCB31CK-104X	C CAPACITOR	0.1uF 16V	1	A,B,C
	C14	NCB31CK-104X	C CAPACITOR	0.1uF 16V	1	A,B,C
	C15	NCB31CK-104X	C CAPACITOR	0.1uF 16V	1	A,B,C
	C16	NCB31CK-104X	C CAPACITOR	0.1uF 16V	1	A,B,C
	C17	NCB31CK-104X	C CAPACITOR	0.1uF 16V	1	A,B,C
	C18	NCB31CK-104X	C CAPACITOR	0.1uF 16V	1	A,B,C
	C19	NCB31CK-104X	C CAPACITOR	0.1uF 16V	1	A,B,C
	C20	NCB31CK-104X	C CAPACITOR	0.1uF 16V	1	A,B,C
	C21	NBE41AM-226X	TA E CAPACITOR	22uF 10V M	1	A,B,C
	C22	NBE41AM-476X	TA E CAPACITOR	47uF 10V M	1	A,B,C
	C23	NBE41AM-476X	TA E CAPACITOR	47uF 10V M	1	A,B,C
	C24	NCB31CK-104X	C CAPACITOR	0.1uF 16V	1	A,B,C
	C25	NCB31CK-104X	C CAPACITOR	0.1uF 16V	1	A,B,C
	C26	NCB31CK-104X	C CAPACITOR	0.1uF 16V	1	A,B,C
	C31	NCB31HK-681X	C CAPACITOR	680pF 50V K	1	A,B,C
	C32	NCB31HK-561X	C CAPACITOR	560pF 50V K	1	A,B,C
	C60	NCB31HK-103X	C CAPACITOR	0.01uF 50V K	1	A,B,C
	C63	NBE20JM-226X	TA E CAPACITOR	22uF 6.3V M	1	A,B,C
	C65	NCB31CK-104X	C CAPACITOR	0.1uF 16V	1	A,B,C
	C66	NCB31CK-104X	C CAPACITOR	0.1uF 16V	1	A,B,C
	C67	NCB31HK-103X	C CAPACITOR	0.01uF 50V K	1	A,B,C
	C68	NCB31CK-104X	C CAPACITOR	0.1uF 16V	1	A,B,C
	C69	NCB21CK-105X	C CAPACITOR	1uF 16V K	1	A,B,C
	C70	NCB31CK-104X	C CAPACITOR	0.1uF 16V	1	A,B,C
	C71	NCB31CK-104X	C CAPACITOR	0.1uF 16V	1	A,B,C
	C72	NCB31CK-105X	C CAPACITOR	1uF 16V K	1	A,B,C
	C73	NCB31CK-104X	C CAPACITOR	0.1uF 16V	1	A,B,C
	C74	NCB31CK-104X	C CAPACITOR	0.1uF 16V	1	A,B,C
	C75	NCB31CK-104X	C CAPACITOR	0.1uF 16V	1	A,B,C
	C76	NCB31CK-104X	C CAPACITOR	0.1uF 16V	1	A,B,C
	C77	NCB31CK-104X	C CAPACITOR	0.1uF 16V	1	A,B,C
	C78	NCB31CK-104X	C CAPACITOR	0.1uF 16V	1	A,B,C
	C79	NCB31CK-104X	C CAPACITOR	0.1uF 16V	1	A,B,C
	C80	NCB21CK-105X	C CAPACITOR	1uF 16V K	1	A,B,C
	C81	NDC31HJ-120X	C CAPACITOR	12pF 50V J	1	A,B,C
	C82	NDC31HJ-150X	C CAPACITOR	15pF 50V J	1	A,B,C
	C83	NCB31CK-104X	C CAPACITOR	0.1uF 16V	1	A,B,C
	C84	NCB31CK-333X	C CAPACITOR	0.033uF 16V K	1	A,B,C
	C85	NCB31CK-104X	C CAPACITOR	0.1uF 16V	1	A,B,C
	C86	NCB31CK-104X	C CAPACITOR	0.1uF 16V	1	A,B,C
	C87	NCB31CK-104X	C CAPACITOR	0.1uF 16V	1	A,B,C
	C88	NCB31CK-104X	C CAPACITOR	0.1uF 16V	1	A,B,C
	C89	NCB31HK-183X	C CAPACITOR	0.018uF 50V K	1	A,B,C
	C90	NCB31HK-562X	C CAPACITOR	5600pF 50V K	1	A,B,C
	C91	NCB31CK-104X	C CAPACITOR	0.1uF 16V	1	A,B,C
	C92	NCB21CK-105X	C CAPACITOR	1uF 16V K	1	A,B,C
	C93	NCB21CK-105X	C CAPACITOR	1uF 16V K	1	A,B,C
	C99	NCB31CK-104X	C CAPACITOR	0.1uF 16V	1	A,B,C
	C100	NCB31CK-684X	C CAPACITOR	0.68uF 16V K	1	A,B,C
	C101	NCB31CK-104X	C CAPACITOR	0.1uF 16V	1	A,B,C
	C102	NCB31CK-684X	C CAPACITOR	0.68uF 16V K	1	A,B,C
	C106	NCB31CK-104X	C CAPACITOR	0.1uF 16V	1	A,B,C
	C109	NCB21CK-105X	C CAPACITOR	1uF 16V K	1	A,B,C
	C113	NCB21CK-105X	C CAPACITOR	1uF 16V K	1	A,B,C
	C117	NCB21CK-105X	C CAPACITOR	1uF 16V K	1	A,B,C
	C118	NCB31HK-103X	C CAPACITOR	0.01uF 50V K	1	A,B,C
	C121	NCB31CK-104X	C CAPACITOR	0.1uF 16V	1	A,B,C

MODEL	MARK	MODEL	MARK	MODEL	MARK
KW-NT30E	A	KW-NT30HDJ	B	KW-NT50HDTJ	C

Safe	Symbol No.	Parts No.	Parts Name	Description	QTY	Local
	C122	NCB31CK-104X	C CAPACITOR	0.1uF 16V	1	A,B,C
	C125	NCB31CK-104X	C CAPACITOR	0.1uF 16V	1	A,B,C
	C126	NCB31CK-104X	C CAPACITOR	0.1uF 16V	1	A,B,C
	C127	NCB31CK-104X	C CAPACITOR	0.1uF 16V	1	A,B,C
	C128	NCB31CK-104X	C CAPACITOR	0.1uF 16V	1	A,B,C
	C129	NCB31CK-104X	C CAPACITOR	0.1uF 16V	1	A,B,C
	C130	NCB31CK-104X	C CAPACITOR	0.1uF 16V	1	A,B,C
	C131	NCB31CK-104X	C CAPACITOR	0.1uF 16V	1	A,B,C
	C132	NCB31CK-104X	C CAPACITOR	0.1uF 16V	1	A,B,C
	C133	NCB31CK-104X	C CAPACITOR	0.1uF 16V	1	A,B,C
	C134	NCB31CK-104X	C CAPACITOR	0.1uF 16V	1	A,B,C
	C135	NCB31CK-104X	C CAPACITOR	0.1uF 16V	1	A,B,C
	C136	NCB31CK-104X	C CAPACITOR	0.1uF 16V	1	A,B,C
	C137	NBE20JM-226X	TA E CAPACITOR	22uF 6.3V M	1	A,B,C
	C139	NBE20JM-226X	TA E CAPACITOR	22uF 6.3V M	1	A,B,C
	C156	NCB31CK-104X	C CAPACITOR	0.1uF 16V	1	A,B,C
	C164	NCB21CK-105X	C CAPACITOR	1uF 16V K	1	A,B,C
	C167	NDC31HJ-272X	C CAPACITOR	2700pF 50V J	1	A,B,C
	C170	NCB31CK-104X	C CAPACITOR	0.1uF 16V	1	A,B,C
	C173	NCB31CK-104X	C CAPACITOR	0.1uF 16V	1	A,B,C
	C174	NCB31CK-104X	C CAPACITOR	0.1uF 16V	1	A,B,C
	C175	NBE51DM-476X	TA E CAPACITOR	47uF 20V M	1	A,B,C
	C176	NCB31CK-104X	C CAPACITOR	0.1uF 16V	1	A,B,C
	C177	NCB31CK-104X	C CAPACITOR	0.1uF 16V	1	A,B,C
	C178	NCB31CK-104X	C CAPACITOR	0.1uF 16V	1	A,B,C
	C197	NCB31CK-104X	C CAPACITOR	0.1uF 16V	1	A,B,C
	C199	NCB31CK-104X	C CAPACITOR	0.1uF 16V	1	A,B,C
	C200	NBE40JM-476X	TA E CAPACITOR	47uF 6.3V M	1	A,B,C
	C201	NCB31CK-104X	C CAPACITOR	0.1uF 16V	1	A,B,C
	C205	NCB21AK-225X	C CAPACITOR	2.2uF 10V K	1	A,B,C
	C206	NDC31HJ-222X	C CAPACITOR	2200pF 50V J	1	A,B,C
	C211	NCB31CK-104X	C CAPACITOR	0.1uF 16V	1	A,B,C
	C215	NDC31HJ-181X	C CAPACITOR	180pF 50V J	1	A,B,C
	C216	NCB31CK-104X	C CAPACITOR	0.1uF 16V	1	A,B,C
	C218	NCB31CK-104X	C CAPACITOR	0.1uF 16V	1	A,B,C
	C219	NCB31CK-223X	C CAPACITOR	0.022uF 16V K	1	A,B,C
	C220	NCB31HK-102X	C CAPACITOR	1000pF 50V K	1	A,B,C
	C222	NCB31CK-104X	C CAPACITOR	0.1uF 16V	1	A,B,C
	C223	NCB31HK-102X	C CAPACITOR	1000pF 50V K	1	A,B,C
	C224	NCB21AK-225X	C CAPACITOR	2.2uF 10V K	1	A,B,C
	C225	NBE51CM-476X	TA E CAPACITOR	47uF 16V M	1	A,B,C
	C228	NCB31HK-102X	C CAPACITOR	1000pF 50V K	1	A,B,C
	C229	NCB31CK-223X	C CAPACITOR	0.022uF 16V K	1	A,B,C
	C232	NBE51DM-476X	TA E CAPACITOR	47uF 20V M	1	A,B,C
	C233	NCB21CK-105X	C CAPACITOR	1uF 16V K	1	A,B,C
	C235	NCB31HK-102X	C CAPACITOR	1000pF 50V K	1	A,B,C
	C237	NDC31HJ-221X	C CAPACITOR	220pF 50V J	1	A,B,C
	C238	NCB31CK-104X	C CAPACITOR	0.1uF 16V	1	A,B,C
	C240	NCB31CK-104X	C CAPACITOR	0.1uF 16V	1	A,B,C
	C241	NCB31CK-104X	C CAPACITOR	0.1uF 16V	1	A,B,C
	R34	NRSA63J-0R0X	MG RESISTOR	0Ω 1/10W J	1	A,B,C
	R46	NRSA6AD-103W	MG RESISTOR	10kΩ 1/16W D	1	A,B,C
	R47	NRSA6AD-103W	MG RESISTOR	10kΩ 1/16W D	1	A,B,C
	R49	NRSA63J-0R0X	MG RESISTOR	0Ω 1/10W J	1	A,B,C
	R52	NRSA6AD-103W	MG RESISTOR	10kΩ 1/16W D	1	A,B,C
	R54	NRSA6AD-910W	MG RESISTOR	91Ω 1/16W D	1	A,B,C
	R55	NRSA6AD-910W	MG RESISTOR	91Ω 1/16W D	1	A,B,C
	R56	NRSA6AD-432W	MG RESISTOR	4.3kΩ 1/16W D	1	A,B,C
	R57	NRSA6AD-242W	MG RESISTOR	2.4kΩ 1/16W D	1	A,B,C
	R58	NRZ0122-390X	MG RESISTOR	39Ω	1	A,B,C
	R59	NRSA63J-2R2X	MG RESISTOR	2.2Ω 1/16W J	1	A,B,C
	R60	NRSA6AD-102W	MG RESISTOR	1kΩ 1/16W D	1	A,B,C
	R61	NRSA6AD-471W	MG RESISTOR	470Ω 1/16W D	1	A,B,C
	R62	NRSA6AD-471W	MG RESISTOR	470Ω 1/16W D	1	A,B,C
	R64	NRSA63D-432X	MG RESISTOR	4.3kΩ 1/16W D	1	A,B,C
	R65	NRSA63D-242X	MG RESISTOR	2.4kΩ 1/16W D	1	A,B,C
	R66	NRZ0122-120X	MG RESISTOR	12Ω	1	A,B,C
	R67	NRSA63J-2R2X	MG RESISTOR	2.2Ω 1/16W J	1	A,B,C
	R68	NRSA6AD-102W	MG RESISTOR	1kΩ 1/16W D	1	A,B,C
	R69	NRSA63J-471X	MG RESISTOR	470Ω 1/16W J	1	A,B,C
	R70	NRSA6AD-331W	MG RESISTOR	330Ω 1/16W D	1	A,B,C
	R79	NRSA6AD-104W	MG RESISTOR	100kΩ 1/16W D	1	A,B,C
	R85	NRSA63J-0R0X	MG RESISTOR	0Ω 1/10W J	1	A,B,C
	R86	NRSA63J-0R0X	MG RESISTOR	0Ω 1/10W J	1	A,B,C
	R87	NRSA63J-0R0X	MG RESISTOR	0Ω 1/10W J	1	A,B,C
	R92	NRSA63J-473X	MG RESISTOR	47kΩ 1/16W J	1	A,B,C
	R93	NRSA63J-203X	MG RESISTOR	20kΩ 1/16W J	1	A,B,C
	R94	NRSA63J-223X	MG RESISTOR	22kΩ 1/16W J	1	A,B,C
	R100	NRSA6AD-103W	MG RESISTOR	10kΩ 1/16W D	1	A,B,C
	R107	NRSA63J-152X	MG RESISTOR	1.5kΩ 1/16W J	1	A,B,C
	R109	NRSA63J-0R0X	MG RESISTOR	0Ω 1/10W J	1	A,B,C
	R112	NRSA63J-223X	MG RESISTOR	22kΩ 1/16W J	1	A,B,C
	R117	NRSA6AD-103W	MG RESISTOR	10kΩ 1/16W D	1	A,B,C
	R120	NRSA63J-152X	MG RESISTOR	1.5kΩ 1/16W J	1	A,B,C
	R122	NRSA6AD-103W	MG RESISTOR	10kΩ 1/16W D	1	A,B,C
	R128	NRSA6AD-270W	MG RESISTOR	27Ω 1/16W D	1	A,B,C
	R129	NRSA6AD-103W	MG RESISTOR	10kΩ 1/16W D	1	A,B,C
	R131	NRSA6AD-102W	MG RESISTOR	1kΩ 1/16W D	1	A,B,C
	R132	NRSA6AD-102W	MG RESISTOR	1kΩ 1/16W D	1	A,B,C
	R133	NRSA6AD-223W	MG RESISTOR	22kΩ 1/16W D	1	A,B,C
	R135	NRSA63J-102X	MG RESISTOR	1kΩ 1/16W J	1	A,B,C
	R137	NRSA63J-0R0X	MG RESISTOR	0Ω 1/10W J	1	A,B,C

MODEL	MARK	MODEL	MARK	MODEL	MARK
KW-NT30E	A	KW-NT30HDJ	B	KW-NT50HDTJ	C

Safe	Symbol No.	Parts No.	Parts Name	Description	QTY	Local
	R139	NRSA63J-0R0X	MG RESISTOR	0Ω 1/10W J	1	A,B,C
	R141	NRSA63D-332X	MG RESISTOR	3.3kΩ 1/16W D	1	A,B,C
	R142	NRSA63J-0R0X	MG RESISTOR	0Ω 1/10W J	1	A,B,C
	R144	NRSA6AD-103W	MG RESISTOR	10kΩ 1/16W D	1	A,B,C
	R145	NRSA6AD-103W	MG RESISTOR	10kΩ 1/16W D	1	A,B,C
	R147	NRSA63J-104X	MG RESISTOR	100kΩ 1/16W J	1	A,B,C
	R152	NRSA63J-0R0X	MG RESISTOR	0Ω 1/10W J	1	A,B,C
	R153	NRSA6AD-162W	MG RESISTOR	1.6kΩ 1/16W D	1	A,B,C
	R155	NRSA63J-0R0X	MG RESISTOR	0Ω 1/10W J	1	A,B,C
	R156	NRSA63J-0R0X	MG RESISTOR	0Ω 1/10W J	1	A,B,C
	R160	NRSA63D-303X	MG RESISTOR	30kΩ 1/16W D	1	A,B,C
	R163	NRSA6AD-103W	MG RESISTOR	10kΩ 1/16W D	1	A,B,C
	R164	NRSA63J-181X	MG RESISTOR	180Ω 1/16W J	1	A,B,C
	R165	NRSA6AD-473W	MG RESISTOR	47kΩ 1/16W D	1	A,B,C
	R166	NRSA6AD-473W	MG RESISTOR	47kΩ 1/16W D	1	A,B,C
	R167	NRSA6AD-473W	MG RESISTOR	47kΩ 1/16W D	1	A,B,C
	R168	NRSA6AD-473W	MG RESISTOR	47kΩ 1/16W D	1	A,B,C
	R170	NRSA6AD-471W	MG RESISTOR	470Ω 1/16W D	1	A,B,C
	R171	NRSA63J-105X	MG RESISTOR	1MΩ 1/16W J	1	A,B,C
	R172	NRSA6AD-101W	MG RESISTOR	100Ω 1/16W D	1	A,B,C
	R173	NRSA6AD-101W	MG RESISTOR	100Ω 1/16W D	1	A,B,C
	R174	NRSA6AD-101W	MG RESISTOR	100Ω 1/16W D	1	A,B,C
	R177	NRSA63J-0R0X	MG RESISTOR	0Ω 1/10W J	1	A,B,C
	R178	NRSA63J-0R0X	MG RESISTOR	0Ω 1/10W J	1	A,B,C
	R189	NRSA6AD-331W	MG RESISTOR	330Ω 1/16W D	1	A,B,C
	R190	NRSA6AD-331W	MG RESISTOR	330Ω 1/16W D	1	A,B,C
	R195	NRSA6AD-103W	MG RESISTOR	10kΩ 1/16W D	1	A,B,C
	R201	NRSA63J-102X	MG RESISTOR	1kΩ 1/16W J	1	A,B,C
	R205	NRSA6AD-103W	MG RESISTOR	10kΩ 1/16W D	1	A,B,C
	R211	NRSA6AD-473W	MG RESISTOR	47kΩ 1/16W D	1	A,B,C
	R215	NRSA63D-122X	MG RESISTOR	1.2kΩ 1/16W D	1	A,B,C
	R216	NRSA63D-122X	MG RESISTOR	1.2kΩ 1/16W D	1	A,B,C
	R219	NRSA63J-150X	MG RESISTOR	15Ω 1/16W J	1	A,B,C
	R229	NRSA63J-0R0X	MG RESISTOR	0Ω 1/10W J	1	A,B,C
	R233	NRSA6AD-103W	MG RESISTOR	10kΩ 1/16W D	1	A,B,C
	R265	NRSA6AD-103W	MG RESISTOR	10kΩ 1/16W D	1	A,B,C
	R267	NRSA6AD-472W	MG RESISTOR	4.7kΩ 1/16W D	1	A,B,C
	R268	NRSA63J-0R0X	MG RESISTOR	0Ω 1/10W J	1	A,B,C
	R303	NRZ0098-R18X	MG RESISTOR	0.18Ω	1	A,B,C
	R309	NRZ0098-R47X	MG RESISTOR	0.47Ω	1	A,B,C
	R310	NRSA6AD-333W	MG RESISTOR	33kΩ 1/16W D	1	A,B,C
	R311	NRSA63J-391X	MG RESISTOR	390Ω 1/16W J	1	A,B,C
	R318	NRSA63J-203X	MG RESISTOR	20kΩ 1/16W J	1	A,B,C
	R319	NRSA6AD-622W	MG RESISTOR	6.2kΩ 1/16W D	1	A,B,C
	R323	NRSA6AD-391W	MG RESISTOR	390Ω 1/16W D	1	A,B,C
	R324	NRSA63D-682X	MG RESISTOR	6.8kΩ 1/16W D	1	A,B,C
	R325	NRSA63D-753X	MG RESISTOR	75kΩ 1/16W D	1	A,B,C
	R329	NRZ0098-R47X	MG RESISTOR	0.47Ω	1	A,B,C
	R352	NRSA6AD-102W	MG RESISTOR	1kΩ 1/16W D	1	A,B,C
	R357	NRZ0098-R22X	MG RESISTOR	0.22Ω	1	A,B,C
	R359	NRSA6AD-243W	MG RESISTOR	24kΩ 1/16W D	1	A,B,C
	R362	NRSA63J-103X	MG RESISTOR	10kΩ 1/16W J	1	A,B,C
	R364	NRSA63J-391X	MG RESISTOR	390Ω 1/16W J	1	A,B,C
	R365	NRSA6AD-103W	MG RESISTOR	10kΩ 1/16W D	1	A,B,C
	R366	NRZ0098-R22X	MG RESISTOR	0.22Ω	1	A,B,C
	R367	NRSA6AD-104W	MG RESISTOR	100kΩ 1/16W D	1	A,B,C
	R369	NRZ0098-R22X	MG RESISTOR	0.22Ω	1	A,B,C
	R371	NRSA63J-0R0X	MG RESISTOR	0Ω 1/10W J	1	A,B,C
	R375	NRSA6AD-152W	MG RESISTOR	1.5kΩ 1/16W D	1	A,B,C
	R376	NRSA6AD-822W	MG RESISTOR	8.2kΩ 1/16W D	1	A,B,C
	R379	NRSA63D-332X	MG RESISTOR	3.3kΩ 1/16W D	1	A,B,C
	R380	NRSA63J-223X	MG RESISTOR	22kΩ 1/16W J	1	A,B,C
	R382	NRSA6AD-102W	MG RESISTOR	1kΩ 1/16W D	1	A,B,C
	R383	NRSA63J-223X	MG RESISTOR	22kΩ 1/16W J	1	A,B,C
	R384	NRSA6AD-104W	MG RESISTOR	100kΩ 1/16W D	1	A,B,C
	R386	NRSA6AD-184W	MG RESISTOR	180kΩ 1/16W D	1	A,B,C
	R387	NRSA63D-473X	MG RESISTOR	47kΩ 1/16W D	1	A,B,C
	R391	NRSA6AD-822W	MG RESISTOR	8.2kΩ 1/16W D	1	A,B,C
	R392	NRSA63J-103X	MG RESISTOR	10kΩ 1/16W J	1	A,B,C
	R393	NRSA6AD-103W	MG RESISTOR	10kΩ 1/16W D	1	A,B,C
	R394	NRSA63J-333X	MG RESISTOR	33kΩ 1/16W J	1	A,B,C
	R397	NRSA6AD-101W	MG RESISTOR	100Ω 1/16W D	1	A,B,C
	R400	NRSA6AD-153W	MG RESISTOR	15kΩ 1/16W D	1	A,B,C
	R402	NRSA6AD-473W	MG RESISTOR	47kΩ 1/16W D	1	A,B,C
	R403	NRSA63J-101X	MG RESISTOR	100Ω 1/16W J	1	A,B,C
	R406	NRZ0098-R22X	MG RESISTOR	0.22Ω	1	A,B,C
	R417	NRSA63J-183X	MG RESISTOR	18kΩ 1/16W J	1	A,B,C
	R419	NRSA63D-104X	MG RESISTOR	100kΩ 1/16W D	1	A,B,C
	R420	NRSA6AD-184W	MG RESISTOR	180kΩ 1/16W D	1	A,B,C
	L303	NRSA02J-0R0X	MG RESISTOR	0Ω 1/10W J	1	A,B,C
	CN1	QGF0523F3-20W	CONNECTOR	FFC/FPC (1-20)	1	A,B,C
	CN2	QGA1002F1-03X	CONNECTOR	W-B (1-3)	1	A,B,C
	CN101	QGF0522F2-26W	CONNECTOR	FFC/FPC (1-26)	1	A,B,C
	CN403	QGF0534F3-40X	CONNECTOR	FFC/FPC (1-40)	1	A,B,C
	K101	NQR0007-002X	FERRITE BEADS		1	A,B,C
	K102	NQR0007-002X	FERRITE BEADS		1	A,B,C
	K103	NQR0502-001X	FERRITE BEADS		1	A,B,C
	K104	NQR0129-002X	FERRITE BEADS		1	A,B,C
	K108	NQR0129-002X	FERRITE BEADS		1	A,B,C
	K110	NQR0129-002X	FERRITE BEADS		1	A,B,C
	K111	NQR0129-002X	FERRITE BEADS		1	A,B,C
	K113	NQR0502-001X	FERRITE BEADS		1	A,B,C
	K114	NRSA63J-0R0X	MG RESISTOR	0Ω 1/10W J	1	A,B,C

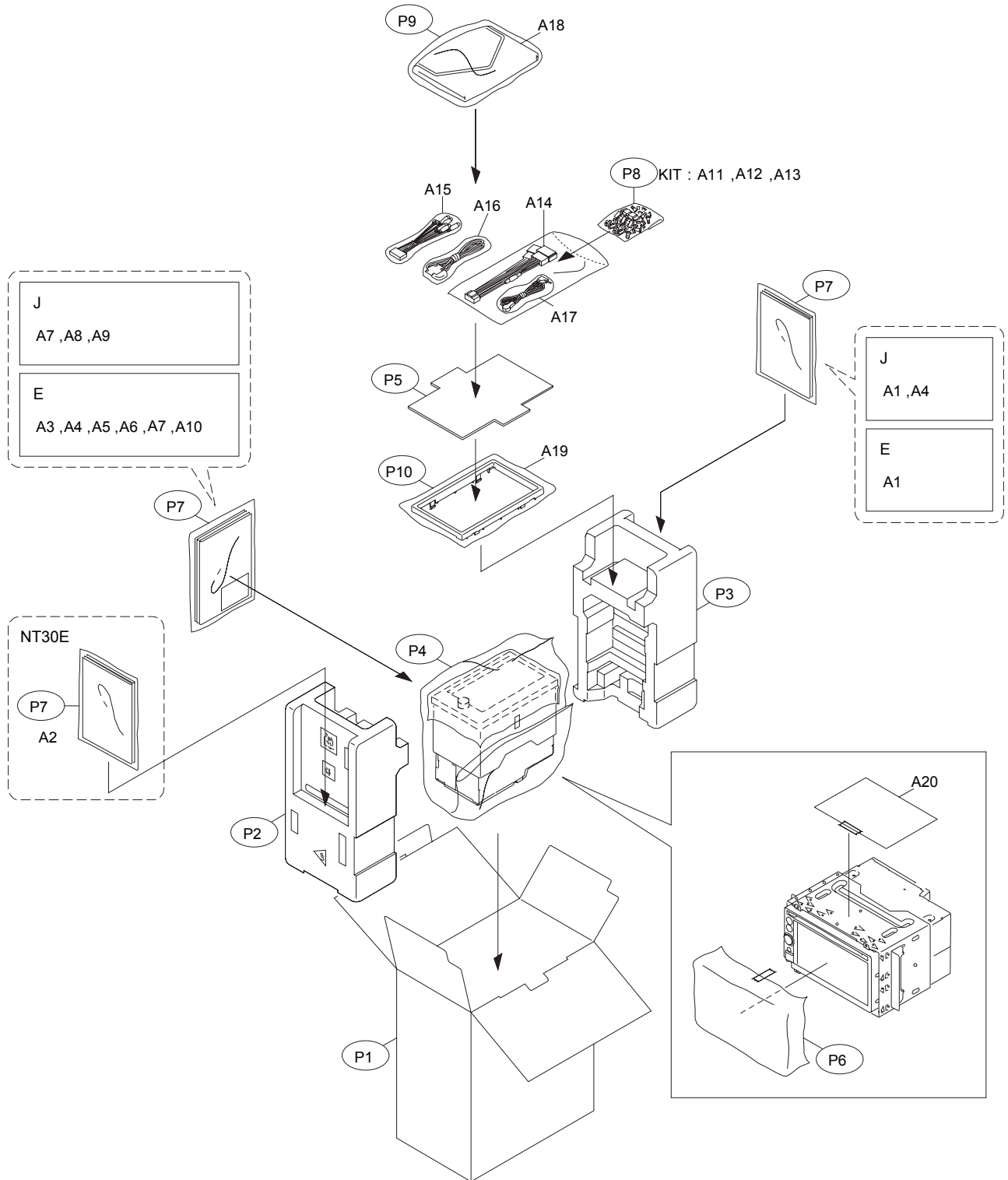
MODEL	MARK	MODEL	MARK	MODEL	MARK
KW-NT30E	A	KW-NT30HDJ	B	KW-NT50HDTJ	C

Safe	Symbol No.	Parts No.	Parts Name	Description	QTY	Local
	K115	NRSA63J-0R0X	MG RESISTOR	0Ω 1/10W J	1	A,B,C
	K117	NRSA63J-0R0X	MG RESISTOR	0Ω 1/10W J	1	A,B,C
	K118	NRSA63J-0R0X	MG RESISTOR	0Ω 1/10W J	1	A,B,C
	K119	NRSA63J-0R0X	MG RESISTOR	0Ω 1/10W J	1	A,B,C
	K120	NRSA63J-0R0X	MG RESISTOR	0Ω 1/10W J	1	A,B,C
	K132	NQR0022-005X	FERRITE BEADS		1	A,B,C
	K135	NRSA63J-0R0X	MG RESISTOR	0Ω 1/10W J	1	A,B,C
	K136	NRSA63J-0R0X	MG RESISTOR	0Ω 1/10W J	1	A,B,C
	K137	NRSA63J-0R0X	MG RESISTOR	0Ω 1/10W J	1	A,B,C
	K141	NRSA63J-0R0X	MG RESISTOR	0Ω 1/10W J	1	A,B,C
	K142	NRSA63J-0R0X	MG RESISTOR	0Ω 1/10W J	1	A,B,C
	S1	NSW0313-001X	DETECT SWITCH		1	A,B,C
	TH491	NAD0025-103X	N THERMISTOR	10kΩ	1	A,B,C
	X351	NAX0741-001X	CRYSTAL	27.000MHz	1	A,B,C

Packing materials and accessories

Block No.M3MM

No additional / supplemental order of WARRANTY CARDS are available.



The parts without symbol number are not service.

MODEL	MARK	MODEL	MARK	MODEL	MARK
KW-NT30E	A	KW-NT30HDJ	B	KW-NT50HDTJ	C

Safe	Symbol No.	Parts No.	Parts Name	Description	QTY	Local
------	------------	-----------	------------	-------------	-----	-------

Packing and accessories <M3MM>

△	A1	LVT2220-001A	INST BOOK	ENG GER FRE	1	A
△	A1	LVT2219-001A	INST BOOK	ENG SPA FRE	1	B,C
△	A2	LVT2220-002A	INST BOOK	DUT SPA ITA	1	A
△	A3	LVT2220-003A	INST BOOK	SWE DAN POR	1	A
	A4	LVT2220-004A	INSTALL MANUAL	ENG GER FRE	1	A
	A4	LVT2219-002A	INSTALL MANUAL	ENG SPA FRE	1	B,C
	A5	LVT2220-005A	INSTALL MANUAL	DUT SPA ITA	1	A
	A6	LVT2220-006A	INSTALL MANUAL	SWE DAN POR	1	A
	A7	-----	WARRANTY CARD	BT-54043-1	1	A
	A7	-----	WARRANTY CARD	BT-51018-6	1	B,C
	A8	-----	WARRANTY CARD	BT-52008-1	1	B,C
	A9	BT-51044-1	REGISTRATION CARD		1	B,C
	A10	VND3050-002	IDENTITY CARD		1	A
	A11	QYSDSP5008ZA	SCREW	M5 x 8mm	4	
	A12	QYSSSP5008ZA	SCREW	M5 x 8mm	8	
	A13	LV41478-001A	CORD CONNECTER		2	
	A14	QAM1315-001	CAR CABLE		1	A
	A14	QAM1314-001	CAR CABLE		1	B,C
	A15	QAM1271-001	CAR CABLE		1	
	A16	QAL1088-003	ANTENNA		1	
	A17	QAN0096-001	MICROPHONE		1	
	A18	LV45104-001A	SOFT CASE		1	
	A19	LV22463-005A	TRIM PLATE		1	
	A20	LV44661-008A	CAUTION SHEET		1	
	KIT	SRW-MA443-3	SCREW PARTS KIT	A11 A12 A13	1	
	P1	LV39399-001A	CARTON		1	A
	P1	LV39398-001A	CARTON		1	B
	P1	LV39397-001A	CARTON		1	C
	P2	LV11776-001A	CUSHION (L)		1	
	P3	LV11777-001A	CUSHION (R)		1	
	P4	QPC03504015PL	POLY BAG	35cm x 40cm	1	
	P5	LV39463-002A	SHEET		1	
	P6	GE40467-003A	NON WOVEN SHEET		1	
	P7	FSPG4002-001	POLY BAG		3	A
	P7	FSPG4002-001	POLY BAG		2	B,C
	P8	QPA00801205	POLY BAG	8cm x 12cm	1	
	P9	FSPG4002-001	POLY BAG		1	
	P10	FSPG4002-001	POLY BAG		1	