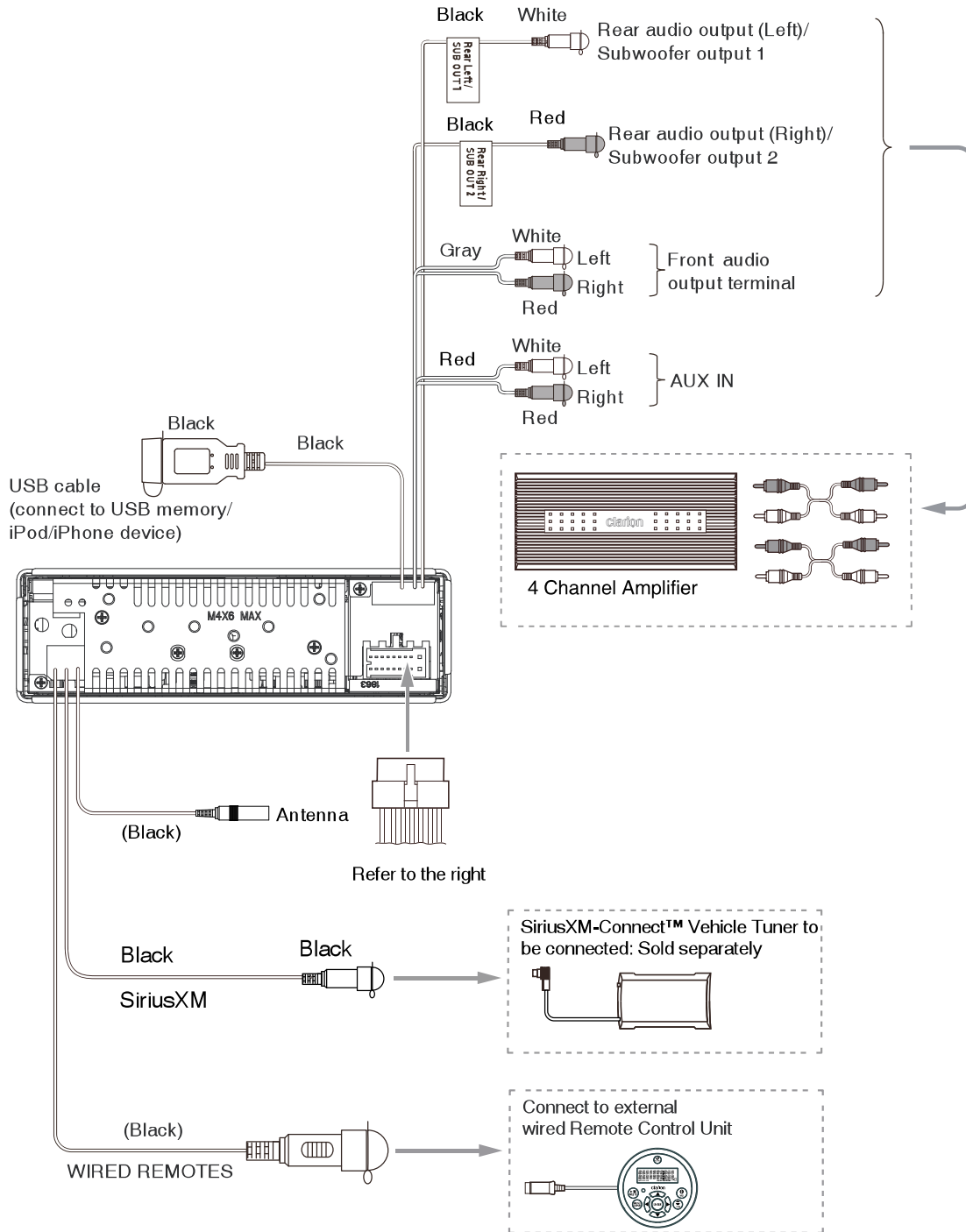
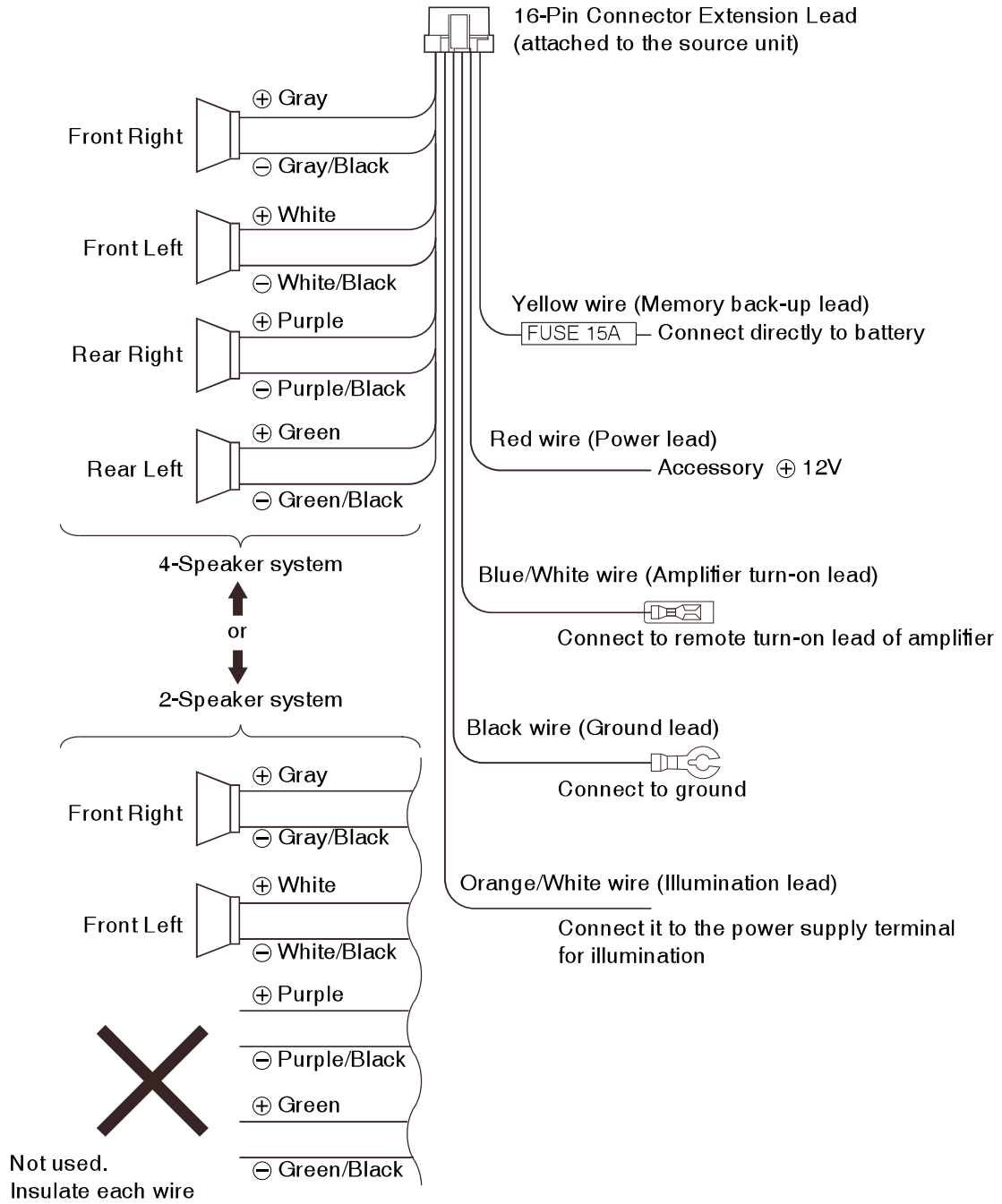



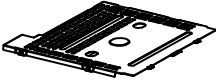
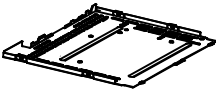




WIRING CONNECTION

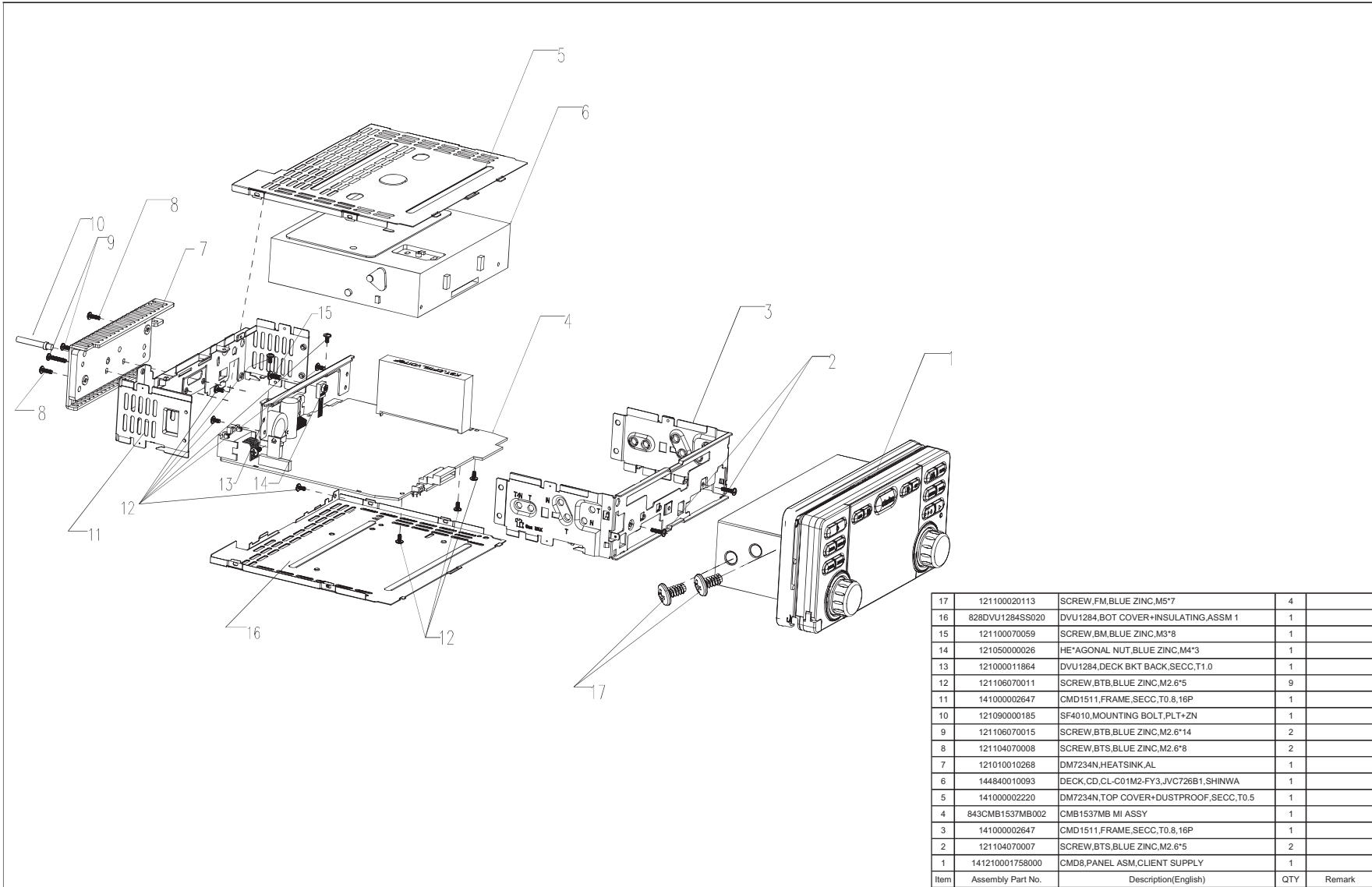




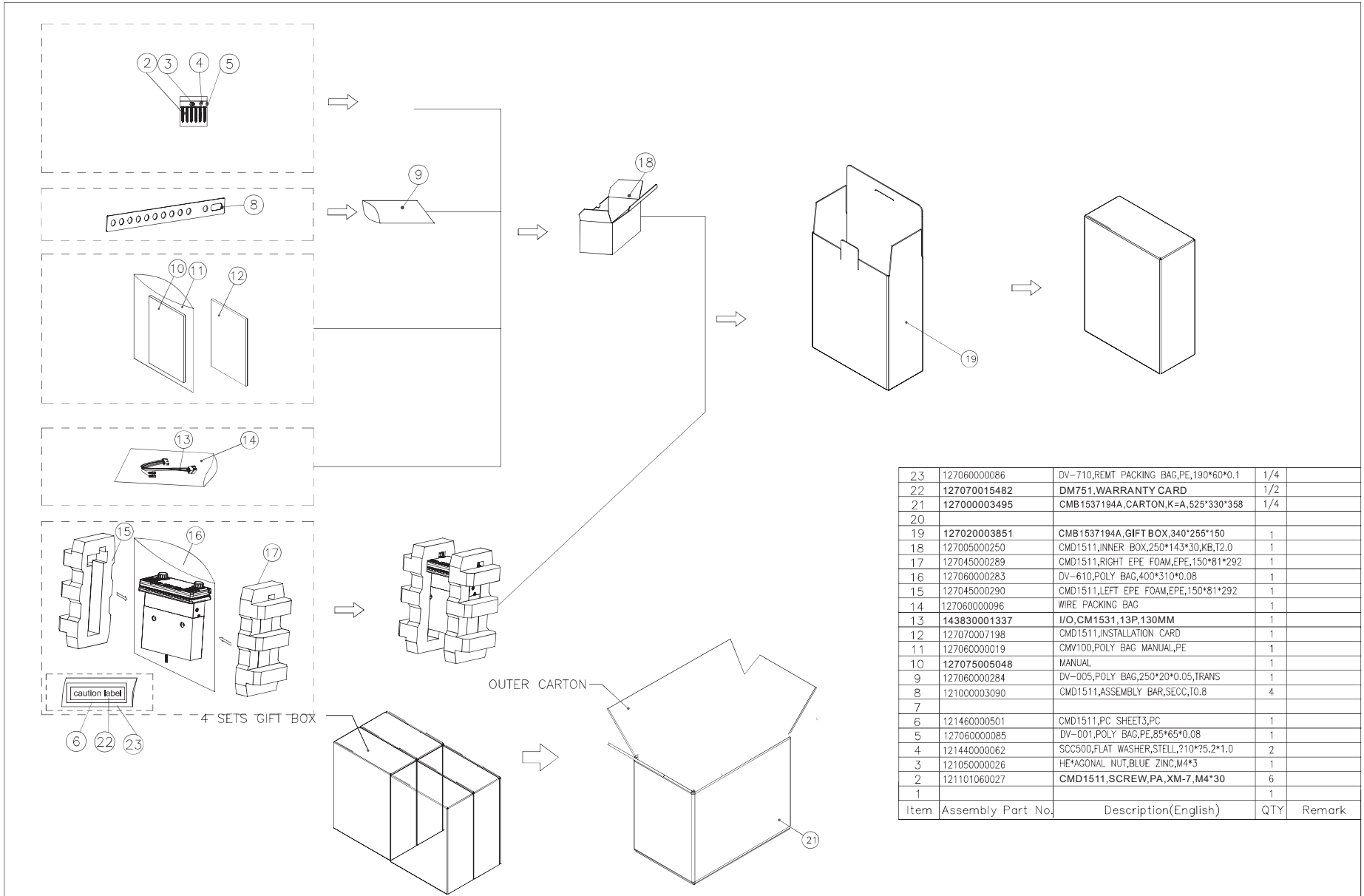
Assembly parts list

Quotation of assembly parts for CMD8							Updated: March 4, 2013
NO.	Clarion Model	Part NO #	Qty	MOQ	Description	Lead time(day)	Assembly parts Picture
1	9482CMB1537194A	845CMB1537MB000	1	30	CMB1539 MB MI ASSM	TBC	
2	9482CMB1537194A	843CMB1539SB004	1	30	CMB1539SB MI ASSM	TBC	
3	9482CMB1537194A	143830001337	1	30	I/O,CM1531,13P,130MM	TBC	
4	9482CMB1537194A	141000002220	1	30	TOP COVER	TBC	
5	9482CMB1537194A	828DVU1284SS020	1	30	BOT COVER+INSULATING,ASSM 1	TBC	
6	9482CMB1537194A	121460000501	1	30	PC SHEET3	TBC	
7	9482CMB1537194A	141045000200	2	200	Lock Screw	TBC	

EXPLODED VIEW / PARTS LIST



COMPONENTS VIEW / PARTS LIST



CMD8