



PARTS LIST

CD RECEIVER

KD-A725J
KD-R721BTEU
KD-R726UH
KD-R728BTJ

KD-R720J
KD-R721BTEY
KD-R726UT
KD-R729BTUR
KD-S88BTJ

KD-R721BTE
KD-R726U
KD-R727BTEE
KD-S48J



■ PRECAUTIONS ON SCHEMATIC DIAGRAMS

- Due to the improvement in performance, some part numbers shown in the circuit diagrams may not agree with those indicated in the Parts List.
- The parts numbers, values and rated voltage etc. in the Schematic Diagrams are for reference only.
- Since the circuit diagrams are standard ones, the circuits and circuit constants may be subject to change for improvement without any notice.

■ PRECAUTIONS ON PARTS LIST

- The parts identified by the \triangle symbol are critical for safety. Whenever replacing these parts, be sure to use specified ones to secure the safety.
- The parts not indicated in this Parts List and those which are filled with lines --- in the Parts No. columns will not be supplied.
- P.W. BOARD Ass'y will not be supplied, but those which are filled with the Parts No. in the Parts No. columns will be supplied.
- When ordering chips, screws etc., place bulk orders (unit of tens) whenever possible to improve shipping efficiency.
- There are cases where the actual implemented parts in the sets and the service parts are different. When ordering parts, make sure to refer to the Parts List.

■ PRECAUTIONS ON SERVICE

Certain parts of the power circuits and the GNDs differ according to the models. Care must be taken for the following points as the differences are indicated separately in the LIVE GND () and the ISOLATED (NEUTRAL) GND () .

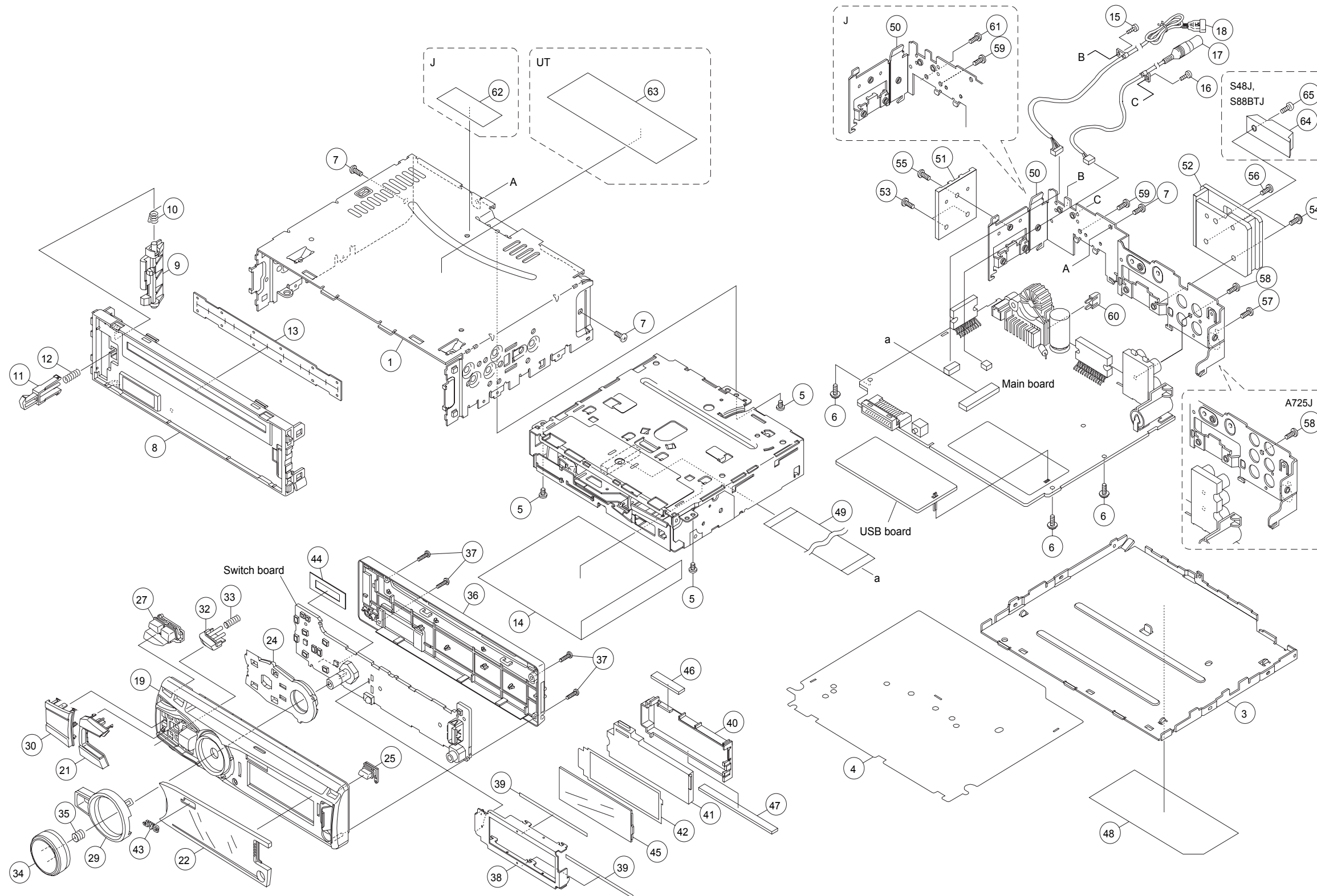
1. Do not touch the LIVE GND, or do not touch the LIVE GND and the ISOLATED (NEUTRAL) GND at the same time. It may cause an electric shock.
Before pulling out the chassis or other parts, make sure to pull out the power cord from the wall outlet first.
2. Do not short circuit between the LIVE GND and ISOLATED (NEUTRAL) GND, or never measure the LIVE GND and ISOLATED (NEUTRAL) GND at the same time using measuring instruments (oscilloscope, etc.). It may blow fuses or damage other parts.

■ DEVIATION TOLERANCE RANGE

DEVIATION TOLERANCE RANGE									
F	G	J	K	M	N	R	H	Z	P
± 1%	± 2%	± 5%	±10%	±20%	±30%	+30% -10%	+50% -10%	+80% -20%	+100% -0%

Exploded view of general assembly
A725J, R720J, R726U/UH/UT, S48J/88BTJ

Block No.M1MM



The parts without symbol number are not service.

MODEL	MARK	MODEL	MARK	MODEL	MARK	MODEL	MARK
KD-A725J	A	KD-R720J	B	KD-R721BTE	C	KD-R721BTEU	D
KD-R721BTEY	E	KD-R726U	F	KD-R726UH	G	KD-R726UT	H
KD-R727BTEE	I	KD-R728BTJ	J	KD-R729BTUR	K	KD-S48J	L
KD-S88BTJ	M						

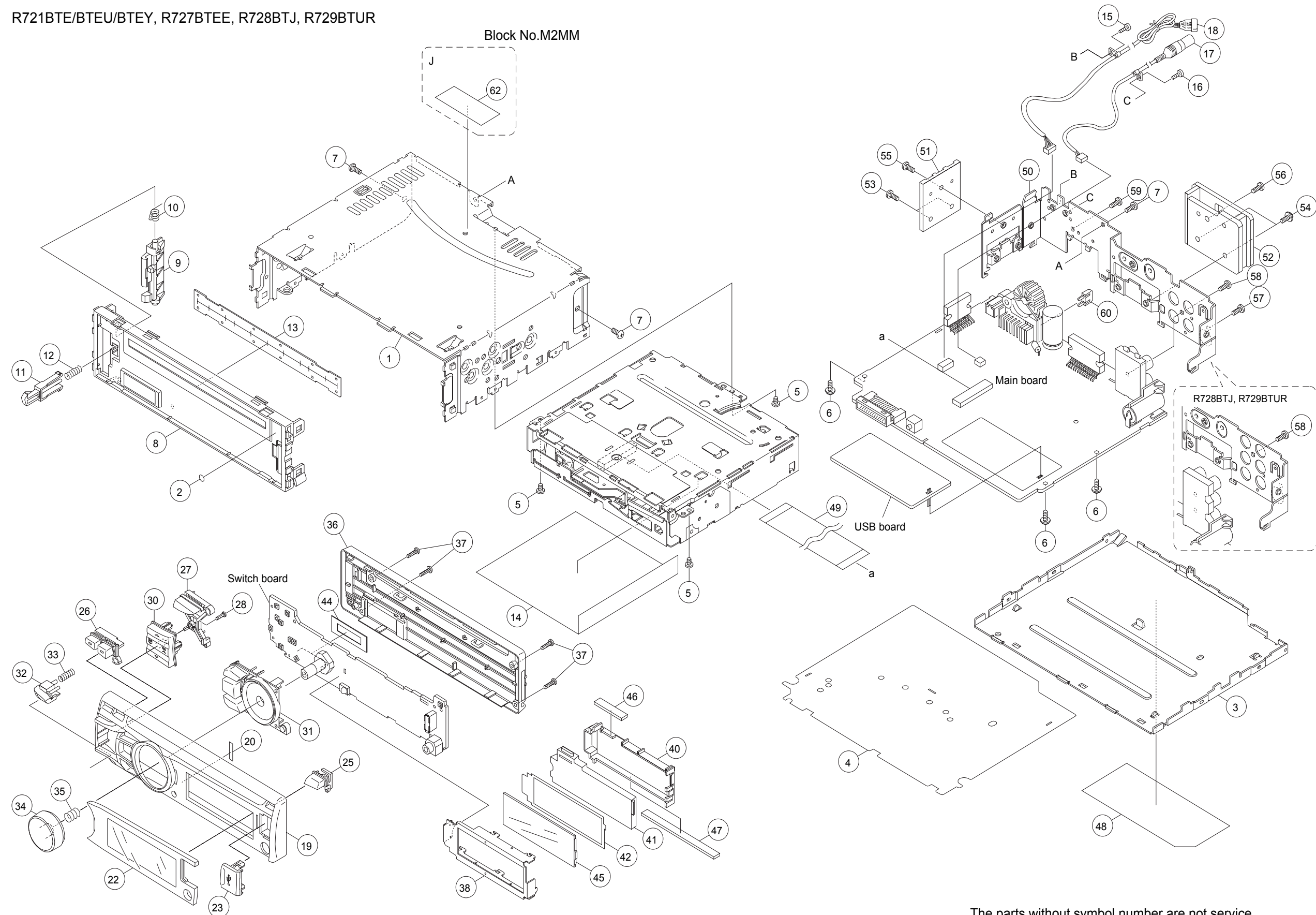
Safe	Symbol No.	Parts No.	Parts Name	Description	QTY	Local
------	------------	-----------	------------	-------------	-----	-------

General assembly A725J, R720J, R726U/UH/UT, KD-S48J, KD-S88BTJ<M1MM>

1		GE10294-001A	TOP CHASSIS		1	A,B,F,G,H,L,M
3		GE20275-001A	BOTTOM COVER		1	A,B,F,G,H,L,M
4		GE34089-001A	INSULATOR		1	A,B,F,G,H,L,M
5		QYSDST2604ZA	TAP SCREW	M2.6 x 4mm	3	A,B,F,G,H,L,M
6		LV44800-005A	SPECIAL SCREW		3	A,B,F,G,H,L,M
7		QYSDST2606ZA	TAP SCREW	M2.6 x 6mm	3	A,B,F,G,H,L,M
8		GE10293-001A	FRONT CHASSIS		1	A,B,F,G,H,L,M
9		GE34072-001A	LOCK LEVER		1	A,B,F,G,H,L,M
10		GE40514-002A	TORSION SPRING		1	A,B,F,G,H,L,M
11		GE34073-001A	RELEASE LEVER		1	A,B,F,G,H,L,M
12		GE30999-008A	COMP.SPRING		1	A,B,F,G,H,L,M
13		GE40500-001A	BLIND		1	A,B,F,G,H,L,M
14		GE34327-001A	SHIELD COVER		1	A,B,F,G,H,L,M
15		QYSDST2606ZA	TAP SCREW	M2.6 x 6mm	1	A,B,F,G,H,L,M
16		QYSDST2606ZA	TAP SCREW	M2.6 x 6mm	1	A,B,F,G,H,L,M
17		QAM1370-001	CAR CABLE		1	A,B,F,G,H,L,M
18		QAM1077-003	CAR CABLE		1	A,B,F,G,H,L,M
19		GE34333-006A	FRONT PANEL ASSY		1	A
19		GE34333-007A	FRONT PANEL ASSY		1	B,L,M
19		GE34333-005A	FRONT PANEL ASSY		1	F,G,H
21		GE34268-005A	COLOR BUTTON		1	A,B,F,G,H,L
21		GE34268-004A	COLOR BUTTON		1	M
22		GE20286-010A	FINDER		1	A
22		GE20286-008A	FINDER		1	B
22		GE20286-009A	FINDER		1	F,G,H
22		GE20286-014A	FINDER		1	L
22		GE20286-015A	FINDER		1	M
24		GE34269-001A	LIGHT GUIDE		1	A,B,F,G,H,L,M
25		GE34238-001A	EJECT BUTTON		1	A,B,F,G,H,L,M
27		GE34266-001A	SRC BUTTON		1	A,B,F,G,H,L,M
29		GE34313-003A	RIM COVER		1	A
29		GE34313-002A	RIM COVER		1	B,L,M
29		GE34313-001A	RIM COVER		1	F,G,H
30		GE34062-001A	NAVI BUTTON		1	A,B,F,G,H,L,M
32		GE34057-001A	DETACH BUTTON		1	A,B,F,G,H,L,M
33		GE30999-009A	COMP.SPRING		1	A,B,F,G,H,L,M
34		GE40535-004A	VOL KNOB ASSY		1	A
34		GE40535-003A	VOL KNOB ASSY		1	B,L,M
34		GE40535-002A	VOL KNOB ASSY		1	F,G,H
35		GE40127-005A	KNOB SPRING		1	A,B,F,G,H,L,M
36		GE10305-001A	REAR COVER		1	A,B,F,G,H,L,M
37		QYSDSF2008ZA	TAP SCREW	M2 x 8mm	4	A,B,F,G,H,L,M
38		GE34147-001A	LCD CASE		1	A,B,F,G,H,L,M
39		GE40218-0B6A	SHEET		2	A,B,F,G,H,L,M
40		GE34146-001A	LENS CASE		1	A,B,F,G,H,L,M
41		GE34145-001A	LCD LENS		1	A,B,F,G,H,L,M
42		GE40512-002A	LIGHTING SHEET		1	A,B,F,G,H,L,M
43		GE40463-001A	JVC BADGE		1	A,B,F,G,H,L,M
44		GE40493-002A	SHEET		1	A,B,F,G,H,L,M
45		QLD0674-001	LCD MODULE		1	A,B,F,G,H,L,M
46		QNZ1002-001	RUBBER CONNE		1	A,B,F,G,H,L,M
47		QNZ1003-001	RUBBER CONNE		1	A,B,F,G,H,L,M
48		GE34377-002A	NAME PLATE		1	A
48		GE34380-002A	NAME PLATE		1	B
48		GE34383-001A	NAME PLATE		1	F,G,H
48		GE34659-001A	NAME PLATE		1	L
48		GE34662-001A	NAME PLATE		1	M
49		WJT0274-001A-E	E-CARD WIRE		1	A,B,F,G,H,L,M
50		GE20276-017A	REAR BRACKET		1	A
50		GE20276-022A	REAR BRACKET		1	B,L,M
51		GE40499-001A	REG HEAT SINK		1	A,B,F,G,H,L,M
52		GE34070-001A	HEAT SINK		1	A,B,F,G,H
52		GE34070-003A	HEAT SINK		1	L,M
53		QYSDST2610ZA	TAP SCREW	M2.6 x 10mm	2	A,B,F,G,H,L,M
54		LV44800-003A	SPECIAL SCREW		2	A,B,F,G,H,L,M
55		QYSDST2608ZA	TAP SCREW	M2.6 x 8mm	1	A,B,F,G,H,L,M
56		QYSDST2610ZA	TAP SCREW	M2.6 x 10mm	1	A,B,F,G,H,L,M
57		QYSDSG3006ZA	TAP SCREW	M3 x 6mm	1	A,B,F,G,H,L,M
58		QYSDSF2608ZA	TAP SCREW	M2.6 x 8mm	1	A,B,F,G,H,L,M
59		QYSDSG3006ZA	TAP SCREW	M3 x 6mm	1	A,B,F,G,H,L,M
60	△	QMFZ064-100-J1	FUSE	10A	1	A,B,F,G,H,L,M
61		QYSDST2606ZA	TAP SCREW	M2.6 x 6mm	1	A,B,L,M
62		GE40442-001A	FCC RULE LABEL		1	A,B,L,M
63		GE33884-018A	UT LABEL		1	H
64		GE40225-001A	CAR STEREO TAG		1	L,M
65		QYSDSP4014ZA	SCREW	M4 x 14mm	1	L,M

Exploded view of general assembly

R721BTE/BTEU/BTEY, R727BTEE, R728BTJ, R729BTUR



The parts without symbol number are not service.

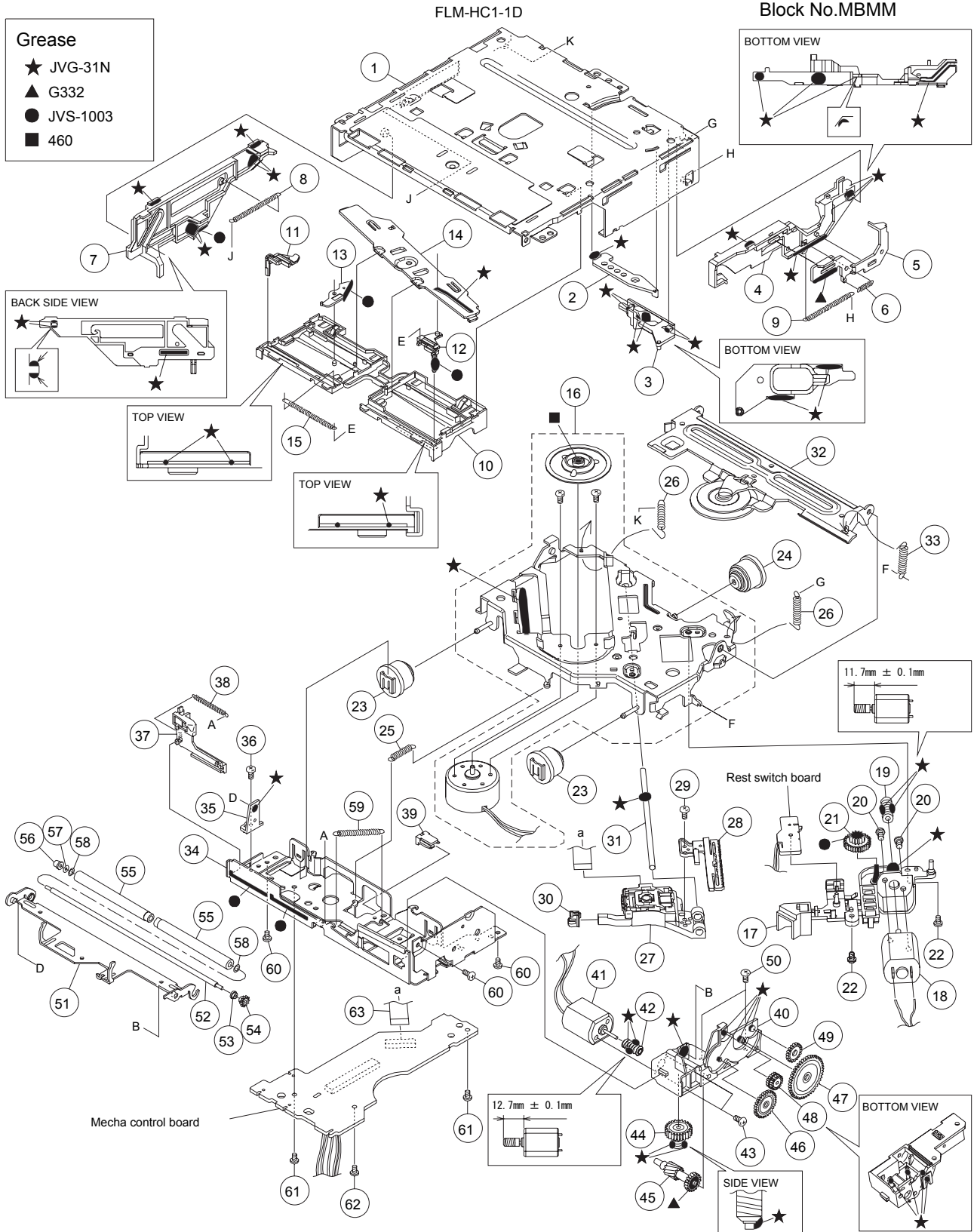
MODEL	MARK	MODEL	MARK	MODEL	MARK	MODEL	MARK
KD-A725J	A	KD-R720J	B	KD-R721BTE	C	KD-R721BTEU	D
KD-R721BTEY	E	KD-R726U	F	KD-R726UH	G	KD-R726UT	H
KD-R727BTEE	I	KD-R728BTJ	J	KD-R729BTUR	K	KD-S48J	L
KD-S88BTJ	M						

Safe	Symbol No.	Parts No.	Parts Name	Description	QTY	Local
------	------------	-----------	------------	-------------	-----	-------

General assembly R721BTE/BTEU/BTEY, R727BTEE, R728BTJ, R729BTUR<M2MM>

1		GE10294-001A	TOP CHASSIS		1	C,D,E,I,J,K
2		FSYH4036-098	SHEET		1	C,D,E,I,J,K
3		GE20275-001A	BOTTOM COVER		1	C,D,E,I,J,K
4		GE34089-001A	INSULATOR		1	C,D,E,I,J,K
5		QYSDST2604ZA	TAP SCREW	M2.6 x 4mm	3	C,D,E,I,J,K
6		LV44800-005A	SPECIAL SCREW		3	C,D,E,I,J,K
7		QYSDST2606ZA	TAP SCREW	M2.6 x 6mm	3	C,D,E,I,J,K
8		GE10293-001A	FRONT CHASSIS		1	C,D,E,I,J,K
9		GE34072-001A	LOCK LEVER		1	C,D,E,I,J,K
10		GE40514-002A	TORSION SPRING		1	C,D,E,I,J,K
11		GE34073-001A	RELEASE LEVER		1	C,D,E,I,J,K
12		GE30999-008A	COMP.SPRING		1	C,D,E,I,J,K
13		GE40500-001A	BLIND		1	C,D,E,I,J,K
14		GE34327-001A	SHIELD COVER		1	C,D,E,I,J,K
15		QYSDST2606ZA	TAP SCREW	M2.6 x 6mm	1	C,D,E,I,J,K
16		QYSDST2606ZA	TAP SCREW	M2.6 x 6mm	1	C,D,E,I,J,K
17		QAM1370-001	CAR CABLE		1	C,D,E,I,J,K
18		QAM1077-003	CAR CABLE		1	C,D,E,I,J,K
19		GE10301-006A	FRONT PANEL		1	C,D,E,I
19		GE10301-013A	FRONT PANEL		1	J,K
20		GE40218-064A	SHEET		1	C,D,E,I,J,K
22		GE34144-022A	FINDER ASSY		1	C,D,E
22		GE34144-030A	FINDER ASSY		1	I
22		GE34144-023A	FINDER ASSY		1	J
22		GE34144-031A	FINDER ASSY		1	K
23		GE34135-001A	USB DOOR COVER		1	C,D,E,I,J,K
25		GE34136-001A	EJECT BUTTON		1	C,D,E,I,J,K
26		GE34137-001A	DISP.BUTTON		1	C,D,E,I,J,K
27		GE34138-001A	SRC BUTTON		1	C,D,E,I,J,K
28		VKZ4777-011	SCREW		1	C,D,E,I,J,K
30		GE34139-001A	NAVI BUTTON		1	C,D,E,I,J,K
31		GE34325-001A	MENU BUTTON		1	C,D,E,I
31		GE34140-005A	MENU BUTTON		1	J,K
32		GE34141-002A	DETACH BUTTON		1	C,D,E,I,J,K
33		GE30999-009A	COMP.SPRING		1	C,D,E,I,J,K
34		GE34142-001A	VOL.KNOB		1	C,D,E,I
34		GE34142-002A	VOL.KNOB		1	J,K
35		GE40127-006A	KNOB SPRING		1	C,D,E,I,J,K
36		GE10302-001A	REAR COVER		1	C,D,E,I,J,K
37		QYSDSF2008ZA	TAP SCREW	M2 x 8mm	4	C,D,E,I,J,K
38		GE34147-001A	LCD CASE		1	C,D,E,I,J,K
40		GE34146-001A	LENS CASE		1	C,D,E,I,J,K
41		GE34145-001A	LCD LENS		1	C,D,E,I,J,K
42		GE40512-002A	LIGHTING SHEET		1	C,D,E,I,J,K
44		GE40493-002A	SHEET		1	C,D,E,I,J,K
45		QLD0672-001	LCD MODULE		1	C,D,E,I,J,K
46		QNZ1002-001	RUBBER CONNE		1	C,D,E,I,J,K
47		QNZ1003-001	RUBBER CONNE		1	C,D,E,I,J,K
48		GE34359-002A	NAME PLATE		1	C,D,E
48		GE34362-002A	NAME PLATE		1	I
48		GE34356-002A	NAME PLATE		1	J
48		GE34474-001A	NAME PLATE		1	K
49		WJT0274-001A-E	E-CARD WIRE		1	C,D,E,I,J,K
50		GE20276-020A	REAR BRACKET		1	C,D,E,F,G,H,I
50		GE20276-021A	REAR BRACKET		1	J,K
51		GE40499-001A	REG HEAT SINK		1	C,D,E,I,J,K
52		GE34070-001A	HEAT SINK		1	C,D,E,I,J,K
53		QYSDST2610ZA	TAP SCREW	M2.6 x 10mm	2	C,D,E,I,J,K
54		LV44800-003A	SPECIAL SCREW		2	C,D,E,I,J,K
55		QYSDST2608ZA	TAP SCREW	M2.6 x 8mm	1	C,D,E,I,J,K
56		QYSDST2610ZA	TAP SCREW	M2.6 x 10mm	1	C,D,E,I,J,K
57		QYSDSG3006ZA	TAP SCREW	M3 x 6mm	1	C,D,E,I,J,K
58		QYSDSF2608ZA	TAP SCREW	M2.6 x 8mm	1	C,D,E,I,J,K
59		QYSDSG3006ZA	TAP SCREW	M3 x 6mm	1	C,D,E,I,J,K
60	△	QMFZ064-100-J1	FUSE	10A	1	C,D,E,I,J,K
62		GE40442-001A	FCC RULE LABEL		1	J

CD mechanism assembly



The parts without symbol number are not service.

MODEL	MARK	MODEL	MARK	MODEL	MARK	MODEL	MARK
KD-A725J	A	KD-R720J	B	KD-R721BTE	C	KD-R721BTEU	D
KD-R721BTEY	E	KD-R726U	F	KD-R726UH	G	KD-R726UT	H
KD-R727BTEE	I	KD-R728BTJ	J	KD-R729BTUR	K	KD-S48J	L
KD-S88BTJ	M						

Safe	Symbol No.	Parts No.	Parts Name	Description	QTY	Local
------	------------	-----------	------------	-------------	-----	-------

CD mechanism (FLM-HC1-1D) <MBMM>

1		LV11685-004A	TOP FRAME		1	
2		LV38953-001A	TRIGGER PLATE		1	
3		LV38952-001A	FL SLIDER(B)		1	
4		LV22826-003A	LOAD CAM		1	
5		LV38951-001A	TRIGGER RACK		1	
6		LV45415-001A	TRIGGER SPRING		1	
7		LV22827-001A	FL SLIDER(L)		1	
8		LV45416-001A	LOAD CAM SPRING		1	
9		LV45417-001A	FL SLIDERSPRING		1	
10		LV11689-001A	DISC GUIDE		1	
11		LV38956-001A	SW SLIDER(L)		1	
12		LV38957-001A	SW SLIDER(R)		1	
13		LV39009-001A	JOINT LEVER		1	
14		LV38958-001A	JOINT PLATE		1	
15		LV45505-001A	SW ACT SPRING		1	
16		CM-FLMHC1D	SPINDLE MOTOR ASSY		1	
17		LV22828-001A	FEED BRACKET		1	
18		QAR0144-003	MOTOR	2.0V DC	1	
19		LV36814-201A	F WORM GEAR		1	
20		QYSPSPT2025MA	SCREW	M2 x 2.5mm	2	
21		LV36815-002A	F WHEEL GEAR		1	
22		VKZ4539-054	MINI SCREW		2	
23		LV36904-001A	DAMPER		2	
24		LV37061-001A	DAMPER		1	
25		LV45422-001A	SUS SPRING(F)		1	
26		LV45423-001A	SUS SPRING(B)		2	
△		QAL1226-001	PICK UP		1	
28		LV38960-001A	FEED RACK		1	
29		QYSPSGT1745ZA	TAP SCREW	M1.7 x 4.5mm	1	
30		LV36813-201A	SUB GUIDE CAP		1	
31		LV44555-001A	MAIN SHAFT		1	
32		LV38950-002A	HC CL.BASE ASSY		1	
33		LV45421-001A	HC CL.SPRING		1	
34		LV11686-002A	BOTTOM FRAME		1	
35		LV38954-002A	R.ARM GUIDE		1	
36		VKZ4539-054	MINI SCREW		1	
37		LV38959-001A	SW ACTUATOR		1	
38		LV45505-001A	SW ACT SPRING		1	
39		LV38962-001A	WIRE GUIDE		1	
40		LV11688-001A	LOADING BASE		1	
41		QAR0144-003	MOTOR	2.0V DC	1	
42		LV38963-001A	D.WORM GEAR		1	
43		QYSPSPT2025MA	SCREW	M2 x 2.5mm	2	
44		LV38964-001A	D.WHEEL GEAR		1	
45		LV38965-002A	ACT GEAR(1)		1	
46		LV38966-001A	ACT GEAR(2)		1	
47		LV38967-001A	ACT GEAR(3)		1	
48		LV38968-001A	ROLLER ACT GEAR		1	
49		LV38969-001A	DRIVE GEAR		1	
50		VKZ4539-054	MINI SCREW		2	
51		LV11690-001A	ROLLER ARM		1	
52		LV45413-004A	HC ROLLER SHAFT		1	
53		LV45412-001A	RA COLLAR(R)		1	
54		LV38970-001A	HC ROLLER GEAR		1	
55		LV45424-001A	HC ROLLER		2	
56		LV45411-002A	RA COLLAR(L)		1	
57		LV45270-001A	WASHER 2		1	
58		LV45449-001A	WASHER		2	
59		LV45418-001A	R.ARM SPRING		1	
60		VKZ4539-054	MINI SCREW		3	
61		VKZ4539-054	MINI SCREW		2	
62		VKZ4539-054	MINI SCREW		1	
63		QAL0817-003	FPC		1	

Electrical parts list Main board Except R729BTUR, KD-S48J, KD-S88BTJ<01>

△	IC1	TEF6614TV1S4-X	IC		1	A,B,C,D,E,F,G,H,I,J
	IC90	NJM4565E-X	IC		1	A,B,C,D,E,F,G,H,I,J
	IC181	NJW1222V-X	IC		1	A,B,C,D,E,F,G,H,I,J
△	IC301	TDA7851A	IC		1	A,B,C,D,E,F,G,H,I,J
	IC361	NJM2792V-X	IC		1	F,G,H
△	IC501	LA6565-X	IC		1	A,B,C,D,E,F,G,H,I,J
	IC541	MN6627553PA	IC		1	A,B,C,D,E,F,G,H,I,J
	IC581	NJM4565E-X	IC		1	A,B,C,D,E,F,G,H,I,J
△	IC701	JES206B	IC(MCU)		1	A,B
△	IC701	JES208B	IC(MCU)		1	C,D,E,I
△	IC701	JES207B	IC(MCU)		1	F,G,H,J
	IC771	R1EX24016ASAA-X	IC		1	C,D,E,I
	IC801	74AHCT126PW-X	IC		1	A,B
△	IC901	LV5680P	IC		1	A,B,C,D,E,F,G,H,I,J
	IC902	XC6213B332NG-X	IC		1	A,B,C,D,E,F,G,H,I,J
	IC921	XC6223D331PG-X	IC		1	A,B,C,D,E,F,G,H,I,J
	IC931	BA9743AFV-X	IC		1	A,B,C,D,E,F,G,H,I,J
	IC932	RT9715EGB-X	IC		1	A,B,C,D,E,F,G,H,I,J
	IC942	RT9715EGB-X	IC		1	A,B,C,D,E,F,G,H,I,J
	Q251	INC2002AC1-X	TRANSISTOR		1	A,J
	Q322	IMX9-W	PAIR TRANSISTOR		1	A,B,C,D,E,F,G,H,I,J
	Q332	IMX9-W	PAIR TRANSISTOR		1	A,B,C,D,E,F,G,H,I,J

MODEL	MARK	MODEL	MARK	MODEL	MARK	MODEL	MARK
KD-A725J	A	KD-R720J	B	KD-R721BTE	C	KD-R721BTEU	D
KD-R721BTEY	E	KD-R726U	F	KD-R726UH	G	KD-R726UT	H
KD-R727BTEE	I	KD-R728BTJ	J	KD-R729BTUR	K	KD-S48J	L
KD-S88BTJ	M						

Safe	Symbol No.	Parts No.	Parts Name	Description	QTY	Local
	Q501	2SB1424/R/-W	TRANSISTOR		1	A,B,C,D,E,F,G,H,I,J
	Q540	2SA2188/F/-X	TRANSISTOR		1	A,B,C,D,E,F,G,H,I,J
	Q782	RT1P141C-X	DIGI TRANSISTOR		1	A,B,C,D,E,F,G,H,I,J
	Q785	RT1N241C-X	DIGI TRANSISTOR		1	A,B,C,D,E,F,G,H,I,J
	Q786	RT1P241C-X	TRANSISTOR		1	A,B,C,D,E,F,G,H,I,J
	Q881	RT1N141C-X	DIGI TRANSISTOR		1	A,B,C,D,E,F,G,H,I,J
	Q931	RSQ030P03-W	MOS FET		1	A,B,C,D,E,F,G,H,I,J
	Q932	2SC3928A/QR/-X	TRANSISTOR		1	A,B,C,D,E,F,G,H,I,J
	Q933	ISA1530AC1/QR/X	TRANSISTOR		1	A,B,C,D,E,F,G,H,I,J
	Q941	RSQ030P03-W	MOS FET		1	A,B,C,D,E,F,G,H,I,J
	Q942	2SC3928A/QR/-X	TRANSISTOR		1	A,B,C,D,E,F,G,H,I,J
	Q943	ISA1530AC1/QR/X	TRANSISTOR		1	A,B,C,D,E,F,G,H,I,J
	Q970	2SC1623A/5-6/-X	TRANSISTOR		1	A,B,C,D,E,F,G,H,I,J
	Q971	2SC1623A/5-6/-X	TRANSISTOR		1	A,B,C,D,E,F,G,H,I,J
	D271	DA2J101-X	SI DIODE		1	A,J
	D321	BAW56-TP-X	SI DIODE		1	A,B,C,D,E,F,G,H,I,J
	D321	or MC2836-X	DIODE		1	A,B,C,D,E,F,G,H,I,J
	D331	BAW56-TP-X	SI DIODE		1	A,B,C,D,E,F,G,H,I,J
	D331	or MC2836-X	DIODE		1	A,B,C,D,E,F,G,H,I,J
	D477	NAF0029-001X	DIODE	V	1	A,B,C,D,E,F,G,H,I,J
	D478	NAF0029-001X	DIODE	V	1	A,B,C,D,E,F,G,H,I,J
	D501	GS1J-LTP-X	DIODE		1	A,B,C,D,E,F,G,H,I,J
	D502	GS1J-LTP-X	DIODE		1	A,B,C,D,E,F,G,H,I,J
	D710	DZ2J062/M/-X	Z DIODE		1	A,B,C,D,E,F,G,H,I,J
	D711	DZ2J062/M/-X	Z DIODE		1	A,B,C,D,E,F,G,H,I,J
	D712	DZ2J062/M/-X	Z DIODE		1	A,B,C,D,E,F,G,H,I,J
	D713	DZ2J062/M/-X	Z DIODE		1	A,B,C,D,E,F,G,H,I,J
	D714	DZ2J062/M/-X	Z DIODE		1	A,B,C,D,E,F,G,H,I,J
	D716	DZ2J056/M/-X	Z DIODE		1	A,B,C,D,E,F,G,H,I,J
	D782	BAW56-TP-X	SI DIODE		1	A,B,C,D,E,F,G,H,I,J
	D782	or MC2836-X	DIODE		1	A,B,C,D,E,F,G,H,I,J
	D783	DA2J101-X	SI DIODE		1	A,B,C,D,E,F,G,H,I,J
	D785	BAW56-TP-X	SI DIODE		1	A,B,C,D,E,F,G,H,I,J
	D785	or MC2836-X	DIODE		1	A,B,C,D,E,F,G,H,I,J
	D786	DA2J101-X	SI DIODE		1	A,B,C,D,E,F,G,H,I,J
	D851	MBRX130-TP-X	SB DIODE		1	F,G,H
	D852	MBRX130-TP-X	SB DIODE		1	F,G,H
△	D901	1N5401-BPC04	SI DIODE		1	A,B,C,D,E,F,G,H,I,J
	D931	RB055L-40-X	SB DIODE		1	A,B,C,D,E,F,G,H,I,J
	D941	RB055L-40-X	SB DIODE		1	A,B,C,D,E,F,G,H,I,J
	D970	DZ2J068/M/-X	Z DIODE		1	A,B,C,D,E,F,G,H,I,J
	D971	DZ2J068/M/-X	Z DIODE		1	A,B,C,D,E,F,G,H,I,J
	D981	MBRX130-TP-X	SB DIODE		1	A,B,C,D,E,F,G,H,I,J
	D982	MBRX130-TP-X	SB DIODE		1	A,B,C,D,E,F,G,H,I,J
	C1	NDC31HJ-102X	C CAPACITOR	1000pF 50V J	1	A,B,C,D,E,F,G,H,I,J
	C2	NDC31HJ-7R0X	C CAPACITOR	7pF 50V J	1	A,B,C,D,E,F,G,H,I,J
	C3	NDC31HJ-102X	C CAPACITOR	1000pF 50V J	1	A,B,C,D,E,F,G,H,I,J
	C4	NCB31CK-224X	C CAPACITOR	0.22uF 16V K	1	A,B,C,D,E,F,G,H,I,J
	C5	NDC31HJ-150X	C CAPACITOR	15pF 50V J	1	A,B,C,D,E,F,G,H,I,J
	C6	NDC31HJ-270X	C CAPACITOR	27pF 50V J	1	A,B,C,D,E,F,G,H,I,J
	C7	NDC31HJ-471X	C CAPACITOR	470pF 50V J	1	A,B,C,D,E,F,G,H,I,J
	C8	NDC31HJ-2R0X	C CAPACITOR	2pF 50V J	1	A,B,C,D,E,F,G,H,I,J
	C9	NDC31HJ-5R6X	C CAPACITOR	5.6pF 50V J	1	A,B,C,D,E,F,G,H,I,J
	C10	NCB31AK-105X	C CAPACITOR	1uF 10V K	1	A,B,C,D,E,F,G,H,I,J
	C11	NCB31HK-103X	C CAPACITOR	0.01uF 50V K	1	A,B,C,D,E,F,G,H,I,J
	C12	NCB31HK-103X	C CAPACITOR	0.01uF 50V K	1	A,B,C,D,E,F,G,H,I,J
	C13	NCB31AK-105X	C CAPACITOR	1uF 10V K	1	A,B,C,D,E,F,G,H,I,J
	C14	NCB31CK-224X	C CAPACITOR	0.22uF 16V K	1	A,B,C,D,E,F,G,H,I,J
	C15	NCB31HK-104X	C CAPACITOR	0.1uF 50V K	1	A,B,C,D,E,F,G,H,I,J
	C16	NCB31HK-103X	C CAPACITOR	0.01uF 50V K	1	A,B,C,D,E,F,G,H,I,J
	C17	NCB31HK-104X	C CAPACITOR	0.1uF 50V K	1	A,B,C,D,E,F,G,H,I,J
	C18	NCB31HK-103X	C CAPACITOR	0.01uF 50V K	1	A,B,C,D,E,F,G,H,I,J
	C19	NCB31HK-104X	C CAPACITOR	0.1uF 50V K	1	A,B,C,D,E,F,G,H,I,J
	C22	NDC31HJ-120X	C CAPACITOR	12pF 50V J	1	A,B,C,D,E,F,G,H,I,J
	C23	NCB31CK-104X	C CAPACITOR	0.1uF 16V	1	A,B,C,D,E,F,G,H,I,J
	C24	NCB31HK-103X	C CAPACITOR	0.01uF 50V K	1	A,B,C,D,E,F,G,H,I,J
	C25	NCB31HK-103X	C CAPACITOR	0.01uF 50V K	1	A,B,C,D,E,F,G,H,I,J
	C26	QEKJ1CM-107Z	E CAPACITOR	100uF 16V M	1	A,B,C,D,E,F,G,H,I,J
	C36	NDC31HJ-5R0X	C CAPACITOR	5pF 50V J	1	A,B,C,D,E,F,G,H,I,J
	C92	QEKJ1HM-475Z	E CAPACITOR	4.7uF 50V M	1	A,B,C,D,E,F,G,H,I,J
	C93	QEKJ1HM-475Z	E CAPACITOR	4.7uF 50V M	1	A,B,C,D,E,F,G,H,I,J
	C94	NDC31HJ-331X	C CAPACITOR	330pF 50V J	1	A,B,C,D,E,F,G,H,I,J
	C95	QEKJ1HM-475Z	E CAPACITOR	4.7uF 50V M	1	A,B,C,D,E,F,G,H,I,J
	C96	QEKJ1CM-226Z	E CAPACITOR	22uF 16V M	1	A,B,C,D,E,F,G,H,I,J
	C97	NDC31HJ-331X	C CAPACITOR	330pF 50V J	1	A,B,C,D,E,F,G,H,I,J
	C98	NCB31HK-333X	C CAPACITOR	0.033uF 50V K	1	A,B,C,D,E,F,G,H,I,J
	C99	NCB31HK-273X	C CAPACITOR	0.027uF 50V K	1	A,B,C,D,E,F,G,H,I,J
	C100	NCB31HK-273X	C CAPACITOR	0.027uF 50V K	1	A,B,C,D,E,F,G,H,I,J
	C101	NDC31HJ-220X	C CAPACITOR	22pF 50V J	1	A,B,C,D,E,F,G,H,I,J
	C102	NCB31HK-333X	C CAPACITOR	0.033uF 50V K	1	A,B,C,D,E,F,G,H,I,J
	C103	QEKJ1CM-226Z	E CAPACITOR	22uF 16V M	1	A,B,C,D,E,F,G,H,I,J
	C104	NCB31CK-104X	C CAPACITOR	0.1uF 16V	1	A,B,C,D,E,F,G,H,I,J
	C161	QEKJ1HM-105Z-S	E CAPACITOR	1uF 50V M	1	A,B,C,D,E,F,G,H,I,J
	C162	QTE1V67-475Z	E CAPACITOR	4.7uF 35V	1	A,B,C,D,E,F,G,H,I,J
	C163	NCB31AK-105X	C CAPACITOR	1uF 10V K	1	A,B
	C165	NCB31AK-105X	C CAPACITOR	1uF 10V K	1	A,B,C,D,E,F,G,H,I,J
	C166	NCB31AK-105X	C CAPACITOR	1uF 10V K	1	A,B,C,D,E,F,G,H,I,J
	C167	NDC31HJ-681X	C CAPACITOR	680pF 50V J	1	A,B,C,D,E,F,G,H,I,J

MODEL	MARK	MODEL	MARK	MODEL	MARK	MODEL	MARK
KD-A725J	A	KD-R720J	B	KD-R721BTE	C	KD-R721BTEU	D
KD-R721BTEY	E	KD-R726U	F	KD-R726UH	G	KD-R726UT	H
KD-R727BTEE	I	KD-R728BTJ	J	KD-R729BTUR	K	KD-S48J	L
KD-S88BTJ	M						

Safe	Symbol No.	Parts No.	Parts Name	Description	QTY	Local
	C168	NCB31CK-224X	C CAPACITOR	0.22uF 16V K	1	A,B,C,D,E,F,G,H,I,J
	C169	QEKJ1CM-476Z-S	E CAPACITOR	47uF 16V M	1	A,B,C,D,E,F,G,H,I,J
	C171	QEKJ1HM-105Z-S	E CAPACITOR	1uF 50V M	1	A,B,C,D,E,F,G,H,I,J
	C172	QTE1V67-475Z	E CAPACITOR	4.7uF 35V	1	A,B,C,D,E,F,G,H,I,J
	C173	NCB31AK-105X	C CAPACITOR	1uF 10V K	1	A,B
	C175	NCB31AK-105X	C CAPACITOR	1uF 10V K	1	A,B,C,D,E,F,G,H,I,J
	C176	NCB31AK-474X	C CAPACITOR	0.47uF 10V K	1	A,B,C,D,E,F,G,H,I,J
	C177	NDC31HJ-681X	C CAPACITOR	680pF 50V J	1	A,B,C,D,E,F,G,H,I,J
	C179	QEKJ1AM-107Z-S	E CAPACITOR	100uF 10V M	1	A,B,C,D,E,F,G,H,I,J
	C180	NCB31HK-472X	C CAPACITOR	4700pF 50V K	1	A,B,C,D,E,F,G,H,I,J
	C181	NCB31HK-104X	C CAPACITOR	0.1uF 50V K	1	A,B,C,D,E,F,G,H,I,J
	C182	NCB31HK-104X	C CAPACITOR	0.1uF 50V K	1	A,B,C,D,E,F,G,H,I,J
	C183	NCB31AK-105X	C CAPACITOR	1uF 10V K	1	A,B,C,D,E,F,G,H,I,J
	C191	NCB31HK-104X	C CAPACITOR	0.1uF 50V K	1	A,B,C,D,E,F,G,H,I,J
	C192	NCB31HK-104X	C CAPACITOR	0.1uF 50V K	1	A,B,C,D,E,F,G,H,I,J
	C276	QEKJ1CM-106Z	E CAPACITOR	10uF 16V M	1	A,J
	C301	QTE1C66-474Z	E CAPACITOR	0.47uF 16V	1	A,B,C,D,E,F,G,H,I,J
	C302	QTE1C66-474Z	E CAPACITOR	0.47uF 16V	1	A,B,C,D,E,F,G,H,I,J
	C303	NDC31HJ-560X	C CAPACITOR	56pF 50V J	1	A,B,C,D,E,F,G,H,I,J
	C304	NDC31HJ-560X	C CAPACITOR	56pF 50V J	1	A,B,C,D,E,F,G,H,I,J
	C305	NDC31HJ-820X	C CAPACITOR	82pF 50V J	1	A,B,C,D,E,F,G,H,I,J
	C306	QERF1CM-106Z-E	E CAPACITOR	10uF 16V M	1	A,B,C,D,E,F,G,H,I,J
	C310	NDC31HJ-820X	C CAPACITOR	82pF 50V J	1	A,B,C,D,E,F,G,H,I,J
	C311	QTE1C66-474Z	E CAPACITOR	0.47uF 16V	1	A,B,C,D,E,F,G,H,I,J
	C312	QTE1C66-474Z	E CAPACITOR	0.47uF 16V	1	A,B,C,D,E,F,G,H,I,J
	C313	NDC31HJ-560X	C CAPACITOR	56pF 50V J	1	A,B,C,D,E,F,G,H,I,J
	C314	NDC31HJ-560X	C CAPACITOR	56pF 50V J	1	A,B,C,D,E,F,G,H,I,J
	C315	NCB31AK-105X	C CAPACITOR	1uF 10V K	1	A,B,C,D,E,F,G,H,I,J
	C316	QEKJ1HM-475Z	E CAPACITOR	4.7uF 50V M	1	A,B,C,D,E,F,G,H,I,J
	C317	QEKJ1CM-476Z-S	E CAPACITOR	47uF 16V M	1	A,B,C,D,E,F,G,H,I,J
	C318	NCB21AK-105X-A	C CAPACITOR	1uF 10V K	1	A,B,C,D,E,F,G,H,I,J
	C319	NCB31HK-223X	C CAPACITOR	0.022uF 50V K	1	A,B,C,D,E,F,G,H,I,J
	C320	NCB31HK-223X	C CAPACITOR	0.022uF 50V K	1	A,B,C,D,E,F,G,H,I,J
	C335	NCB21CK-474X-A	C CAPACITOR	0.47uF 16V K	1	A,B,C,D,E,F,G,H,I,J
	C336	NCB21CK-474X-A	C CAPACITOR	0.47uF 16V K	1	A,B,C,D,E,F,G,H,I,J
	C337	NCB21CK-474X-A	C CAPACITOR	0.47uF 16V K	1	A,B,C,D,E,F,G,H,I,J
	C338	NCB21CK-474X-A	C CAPACITOR	0.47uF 16V K	1	A,B,C,D,E,F,G,H,I,J
	C361	QEKJ1HM-475Z	E CAPACITOR	4.7uF 50V M	1	F,G,H
	C362	QEKJ1HM-475Z	E CAPACITOR	4.7uF 50V M	1	F,G,H
	C365	QEKJ1EM-106Z	E CAPACITOR	10uF 25V M	1	A,B,C,D,E,F,G,H,I,J
	C366	QEKJ1EM-106Z	E CAPACITOR	10uF 25V M	1	A,B,C,D,E,F,G,H,I,J
	C367	QEKJ1AM-227Z	E CAPACITOR	220uF 10V M	1	F,G,H
	C368	QEKJ1AM-227Z	E CAPACITOR	220uF 10V M	1	F,G,H
	C369	QEKJ1CM-226Z	E CAPACITOR	22uF 16V M	1	F,G,H
	C370	NCB31HK-152X	C CAPACITOR	1500pF 50V K	1	F,G,H
	C371	NCB31CK-104X	C CAPACITOR	0.1uF 16V	1	F,G,H
	C372	NCB31HK-152X	C CAPACITOR	1500pF 50V K	1	F,G,H
	C381	QEKJ1HM-475Z	E CAPACITOR	4.7uF 50V M	1	F,G,H
	C382	QEKJ1HM-475Z	E CAPACITOR	4.7uF 50V M	1	F,G,H
	C385	QEKJ1EM-106Z	E CAPACITOR	10uF 25V M	1	A,B,C,D,E,F,G,H,I,J
	C386	QEKJ1EM-106Z	E CAPACITOR	10uF 25V M	1	A,B,C,D,E,F,G,H,I,J
	C387	QEKJ1CM-107Z	E CAPACITOR	100uF 16V M	1	F,G,H
	C388	NCB31CK-104X	C CAPACITOR	0.1uF 16V	1	F,G,H
	C477	NDC31HJ-220X	C CAPACITOR	22pF 50V J	1	A,B,C,D,E,F,G,H,I,J
	C478	NDC31HJ-220X	C CAPACITOR	22pF 50V J	1	A,B,C,D,E,F,G,H,I,J
	C501	NCB31HK-222X	C CAPACITOR	2200pF 50V K	1	A,B,C,D,E,F,G,H,I,J
	C503	NCB31HK-562X	C CAPACITOR	5600pF 50V K	1	A,B,C,D,E,F,G,H,I,J
	C505	NCB31HK-222X	C CAPACITOR	2200pF 50V K	1	A,B,C,D,E,F,G,H,I,J
	C507	NCB31HK-682X	C CAPACITOR	6800pF 50V K	1	A,B,C,D,E,F,G,H,I,J
	C509	NDC31HJ-680X	C CAPACITOR	68pF 50V J	1	A,B,C,D,E,F,G,H,I,J
	C511	QEKJ1CM-107Z	E CAPACITOR	100uF 16V M	1	A,B,C,D,E,F,G,H,I,J
	C512	NCB31CK-104X	C CAPACITOR	0.1uF 16V	1	A,B,C,D,E,F,G,H,I,J
	C513	QEKJ1CM-476Z	E CAPACITOR	47uF 16V M	1	A,B,C,D,E,F,G,H,I,J
	C515	QEKJ0JM-107Z	E CAPACITOR	100uF 6.3V M	1	A,B,C,D,E,F,G,H,I,J
	C516	NCB31CK-104X	C CAPACITOR	0.1uF 16V	1	A,B,C,D,E,F,G,H,I,J
	C517	NCB31HK-102X	C CAPACITOR	1000pF 50V K	1	A,B,C,D,E,F,G,H,I,J
	C519	NDC31HJ-471X	C CAPACITOR	470pF 50V J	1	A,B,C,D,E,F,G,H,I,J
	C520	NDC31HJ-471X	C CAPACITOR	470pF 50V J	1	A,B,C,D,E,F,G,H,I,J
	C538	NDC31HJ-820X	C CAPACITOR	82pF 50V J	1	A,B,C,D,E,F,G,H,I,J
	C541	QEKJ1EM-106Z	E CAPACITOR	10uF 25V M	1	A,B,C,D,E,F,G,H,I,J
	C542	NCB31CK-104X	C CAPACITOR	0.1uF 16V	1	A,B,C,D,E,F,G,H,I,J
	C543	QEKJ1EM-106Z	E CAPACITOR	10uF 25V M	1	A,B,C,D,E,F,G,H,I,J
	C544	NCB31CK-104X	C CAPACITOR	0.1uF 16V	1	A,B,C,D,E,F,G,H,I,J
	C545	QEKJ0JM-476Z	E CAPACITOR	47uF 6.3V M	1	A,B,C,D,E,F,G,H,I,J
	C546	NCB31CK-104X	C CAPACITOR	0.1uF 16V	1	A,B,C,D,E,F,G,H,I,J
	C547	NCB31CK-154X	C CAPACITOR	0.15uF 16V K	1	A,B,C,D,E,F,G,H,I,J
	C548	NDC31HJ-561X	C CAPACITOR	560pF 50V J	1	A,B,C,D,E,F,G,H,I,J
	C549	NCB31HK-272X	C CAPACITOR	2700pF 50V K	1	A,B,C,D,E,F,G,H,I,J
	C550	QEKJ0JM-476Z	E CAPACITOR	47uF 6.3V M	1	A,B,C,D,E,F,G,H,I,J
	C551	NCB31CK-104X	C CAPACITOR	0.1uF 16V	1	A,B,C,D,E,F,G,H,I,J
	C552	NCB31HK-223X	C CAPACITOR	0.022uF 50V K	1	A,B,C,D,E,F,G,H,I,J
	C553	NCB31HK-332X	C CAPACITOR	3300pF 50V K	1	A,B,C,D,E,F,G,H,I,J
	C554	NCB31AK-334X	C CAPACITOR	0.33uF 10V K	1	A,B,C,D,E,F,G,H,I,J
	C555	NCB21CK-475X	C CAPACITOR	4.7uF 16V K	1	A,B,C,D,E,F,G,H,I,J
	C556	NCB31CK-104X	C CAPACITOR	0.1uF 16V	1	A,B,C,D,E,F,G,H,I,J
	C557	NDC31HJ-681X	C CAPACITOR	680pF 50V J	1	A,B,C,D,E,F,G,H,I,J
	C558	QEKJ0JM-476Z	E CAPACITOR	47uF 6.3V M	1	A,B,C,D,E,F,G,H,I,J
	C559	QEKJ0JM-476Z	E CAPACITOR	47uF 6.3V M	1	A,B,C,D,E,F,G,H,I,J

MODEL	MARK	MODEL	MARK	MODEL	MARK	MODEL	MARK
KD-A725J	A	KD-R720J	B	KD-R721BTE	C	KD-R721BTEU	D
KD-R721BTEY	E	KD-R726U	F	KD-R726UH	G	KD-R726UT	H
KD-R727BTEE	I	KD-R728BTJ	J	KD-R729BTUR	K	KD-S48J	L
KD-S88BTJ	M						

Safe	Symbol No.	Parts No.	Parts Name	Description	QTY	Local
	C560	NCB31CK-104X	C CAPACITOR	0.1uF 16V	1	A,B,C,D,E,F,G,H,I,J
	C561	NCB31CK-104X	C CAPACITOR	0.1uF 16V	1	A,B,C,D,E,F,G,H,I,J
	C562	NCB31CK-104X	C CAPACITOR	0.1uF 16V	1	A,B,C,D,E,F,G,H,I,J
	C563	NCB31HK-153X	C CAPACITOR	0.015uF 50V K	1	A,B,C,D,E,F,G,H,I,J
	C564	NCB31CK-104X	C CAPACITOR	0.1uF 16V	1	A,B,C,D,E,F,G,H,I,J
	C565	NCB31HK-102X	C CAPACITOR	1000pF 50V K	1	A,B,C,D,E,F,G,H,I,J
	C566	NCB31CK-823X	C CAPACITOR	0.082uF 16V K	1	A,B,C,D,E,F,G,H,I,J
	C568	NCB31HK-102X	C CAPACITOR	1000pF 50V K	1	A,B,C,D,E,F,G,H,I,J
	C569	NCB31AK-334X	C CAPACITOR	0.33uF 10V K	1	A,B,C,D,E,F,G,H,I,J
	C570	NCB31CK-104X	C CAPACITOR	0.1uF 16V	1	A,B,C,D,E,F,G,H,I,J
	C571	QEKJ1EM-106Z	E CAPACITOR	10uF 25V M	1	A,B,C,D,E,F,G,H,I,J
	C573	NCB31CK-104X	C CAPACITOR	0.1uF 16V	1	A,B,C,D,E,F,G,H,I,J
	C574	NCB31CK-104X	C CAPACITOR	0.1uF 16V	1	A,B,C,D,E,F,G,H,I,J
	C575	NCB31CK-104X	C CAPACITOR	0.1uF 16V	1	A,B,C,D,E,F,G,H,I,J
	C576	QEKJ1EM-106Z	E CAPACITOR	10uF 25V M	1	A,B,C,D,E,F,G,H,I,J
	C577	NCB31CK-104X	C CAPACITOR	0.1uF 16V	1	A,B,C,D,E,F,G,H,I,J
	C578	NCB31CK-104X	C CAPACITOR	0.1uF 16V	1	A,B,C,D,E,F,G,H,I,J
	C579	QEKJ1EM-106Z	E CAPACITOR	10uF 25V M	1	A,B,C,D,E,F,G,H,I,J
	C583	NDC31HJ-821X	C CAPACITOR	820pF 50V J	1	A,B,C,D,E,F,G,H,I,J
	C584	NDC31HJ-821X	C CAPACITOR	820pF 50V J	1	A,B,C,D,E,F,G,H,I,J
	C585	QEKJ1HM-475Z-E	E CAPACITOR	4.7uF 50V M	1	A,B,C,D,E,F,G,H,I,J
	C586	QEKJ1HM-475Z-E	E CAPACITOR	4.7uF 50V M	1	A,B,C,D,E,F,G,H,I,J
	C587	NDC31HJ-151X	C CAPACITOR	150pF 50V J	1	A,B,C,D,E,F,G,H,I,J
	C588	NDC31HJ-151X	C CAPACITOR	150pF 50V J	1	A,B,C,D,E,F,G,H,I,J
	C590	QEKJ0JM-476Z-S	E CAPACITOR	47uF 6.3V M	1	A,B,C,D,E,F,G,H,I,J
	C591	QEKJ1AM-107Z-S	E CAPACITOR	100uF 10V M	1	A,B,C,D,E,F,G,H,I,J
	C592	NCB31CK-104X	C CAPACITOR	0.1uF 16V	1	A,B,C,D,E,F,G,H,I,J
	C701	NDC31HJ-220X	C CAPACITOR	22pF 50V J	1	A,B,C,D,E,F,G,H,I,J
	C702	NDC31HJ-270X	C CAPACITOR	27pF 50V J	1	A,B,C,D,E,F,G,H,I,J
	C705	NDC31HJ-220X	C CAPACITOR	22pF 50V J	1	A,B,C,D,E,F,G,H,I,J
	C706	NDC31HJ-220X	C CAPACITOR	22pF 50V J	1	A,B,C,D,E,F,G,H,I,J
	C709	NCB31HK-104X	C CAPACITOR	0.1uF 50V K	1	A,B,C,D,E,F,G,H,I,J
	C710	NCB31HK-104X	C CAPACITOR	0.1uF 50V K	1	A,B,C,D,E,F,G,H,I,J
	C711	NDC31HJ-470X	C CAPACITOR	47pF 50V J	1	A,B,C,D,E,F,G,H,I,J
	C713	NDC31HJ-470X	C CAPACITOR	47pF 50V J	1	A,B,C,D,E,F,G,H,I,J
	C714	NDC31HJ-101X	C CAPACITOR	100pF 50V J	1	A,B,C,D,E,F,G,H,I,J
	C715	NCB31CK-104X	C CAPACITOR	0.1uF 16V	1	A,B,C,D,E,F,G,H,I,J
	C716	NCB31AK-105X	C CAPACITOR	1uF 10V K	1	A,B,C,D,E,F,G,H,I,J
	C717	NCB31CK-473X	C CAPACITOR	0.047uF 16V K	1	A,B,C,D,E,F,G,H,I,J
	C718	NCB31HK-104X	C CAPACITOR	0.1uF 50V K	1	A,B,C,D,E,F,G,H,I,J
	C721	NCB31CK-473X	C CAPACITOR	0.047uF 16V K	1	A,B,C,D,E,F,G,H,I,J
	C722	NCB31HK-103X	C CAPACITOR	0.01uF 50V K	1	A,B,C,D,E,F,G,H,I,J
	C723	QEKJ0JM-337Z	E CAPACITOR	330uF 6.3V M	1	A,B,C,D,E,F,G,H,I,J
	C724	NDC31HJ-101X	C CAPACITOR	100pF 50V J	1	A,B,C,D,E,F,G,H,I,J
	C725	NCB10JK-106X-A	C CAPACITOR	10uF 6.3V K	1	A,B,C,D,E,F,G,H,I,J
	C727	NCB31CK-473X	C CAPACITOR	0.047uF 16V K	1	A,B,C,D,E,F,G,H,I,J
	C771	NCB31CK-473X	C CAPACITOR	0.047uF 16V K	1	C,D,E,I
	C784	NCB31AK-105X	C CAPACITOR	1uF 10V K	1	A,B,C,D,E,F,G,H,I,J
	C785	NCB31AK-105X	C CAPACITOR	1uF 10V K	1	A,B,C,D,E,F,G,H,I,J
	C801	NCB31CK-473X	C CAPACITOR	0.047uF 16V K	1	A,B
	C881	QEKJ1CM-226Z	E CAPACITOR	22uF 16V M	1	A,B,C,D,E,F,G,H,I,J
	C901	QEZ0937-278	E CAPACITOR	2700uF	1	A,B,C,D,E,F,G,H,I,J
	C902	QEKJ1HM-225Z	E CAPACITOR	2.2uF 50V M	1	A,B,C,D,E,F,G,H,I,J
	C903	QEKJ1CM-476Z	E CAPACITOR	47uF 16V M	1	A,B,C,D,E,F,G,H,I,J
	C904	QEKJ1CM-107Z	E CAPACITOR	100uF 16V M	1	A,B,C,D,E,F,G,H,I,J
	C905	QEKJ1CM-476Z	E CAPACITOR	47uF 16V M	1	A,B,C,D,E,F,G,H,I,J
	C906	NCB31HK-104X	C CAPACITOR	0.1uF 50V K	1	A,B,C,D,E,F,G,H,I,J
	C907	QEKJ1CM-107Z	E CAPACITOR	100uF 16V M	1	A,B,C,D,E,F,G,H,I,J
	C908	QERF1AM-227Z	E CAPACITOR	220uF 10V M	1	A,B,C,D,E,F,G,H,I,J
	C909	QERF0JM-337Z	E CAPACITOR	330uF 6.3V M	1	A,B,C,D,E,F,G,H,I,J
	C910	QEKJ1EM-106Z	E CAPACITOR	10uF 25V M	1	A,B,C,D,E,F,G,H,I,J
	C911	NCB31HK-104X	C CAPACITOR	0.1uF 50V K	1	A,B,C,D,E,F,G,H,I,J
	C915	NCB31HK-104X	C CAPACITOR	0.1uF 50V K	1	A,B,C,D,E,F,G,H,I,J
	C917	QEKJ0JM-227Z	E CAPACITOR	220uF 6.3V M	1	A,B,C,D,E,F,G,H,I,J
	C918	NCB31HK-103X	C CAPACITOR	0.01uF 50V K	1	A,B,C,D,E,F,G,H,I,J
	C921	NCB31AK-105X	C CAPACITOR	1uF 10V K	1	A,B,C,D,E,F,G,H,I,J
	C922	QEKJ0JM-107Z	E CAPACITOR	100uF 6.3V M	1	A,B,C,D,E,F,G,H,I,J
	C925	NCJ30JM-106X-A	C CAPACITOR	10uF 6.3V M	1	A,B,C,D,E,F,G,H,I,J
	C930	NCB31EK-104X	C CAPACITOR	0.1uF 25V K	1	A,B,C,D,E,F,G,H,I,J
	C931	NCB10JK-106X-A	C CAPACITOR	10uF 6.3V K	1	A,B,C,D,E,F,G,H,I,J
	C932	NCB10JK-106X-A	C CAPACITOR	10uF 6.3V K	1	A,B,C,D,E,F,G,H,I,J
	C933	NCB31HK-332X	C CAPACITOR	3300pF 50V K	1	A,B,C,D,E,F,G,H,I,J
	C935	NCB31HK-332X	C CAPACITOR	3300pF 50V K	1	A,B,C,D,E,F,G,H,I,J
	C936	NCB31AK-105X	C CAPACITOR	1uF 10V K	1	A,B,C,D,E,F,G,H,I,J
	C937	NCB31CK-104X	C CAPACITOR	0.1uF 16V	1	A,B,C,D,E,F,G,H,I,J
	C938	NCJ11EK-106X-R	C CAPACITOR	10uF 25V	1	A,B,C,D,E,F,G,H,I,J
	C939	QEZ0850-157Z	E CAPACITOR	150uF	1	A,B,C,D,E,F,G,H,I,J
	C941	NCB10JK-106X-A	C CAPACITOR	10uF 6.3V K	1	A,B,C,D,E,F,G,H,I,J
	C942	NCB10JK-106X-A	C CAPACITOR	10uF 6.3V K	1	A,B,C,D,E,F,G,H,I,J
	C943	NCB31HK-332X	C CAPACITOR	3300pF 50V K	1	A,B,C,D,E,F,G,H,I,J
	C945	NCB31HK-332X	C CAPACITOR	3300pF 50V K	1	A,B,C,D,E,F,G,H,I,J
	C946	NCB31AK-105X	C CAPACITOR	1uF 10V K	1	A,B,C,D,E,F,G,H,I,J
	C947	NCB31HK-104X	C CAPACITOR	0.1uF 50V K	1	A,B,C,D,E,F,G,H,I,J
	C948	NCJ11EK-106X-R	C CAPACITOR	10uF 25V	1	A,B,C,D,E,F,G,H,I,J
	C949	QEZ0850-157Z	E CAPACITOR	150uF	1	A,B,C,D,E,F,G,H,I,J
	C950	NDC31HJ-101X	C CAPACITOR	100pF 50V J	1	A,B,C,D,E,F,G,H,I,J
	C952	NCJ11EK-106X-R	C CAPACITOR	10uF 25V	1	A,B,C,D,E,F,G,H,I,J

MODEL	MARK	MODEL	MARK	MODEL	MARK	MODEL	MARK
KD-A725J	A	KD-R720J	B	KD-R721BTE	C	KD-R721BTEU	D
KD-R721BTEY	E	KD-R726U	F	KD-R726UH	G	KD-R726UT	H
KD-R727BTEE	I	KD-R728BTJ	J	KD-R729BTUR	K	KD-S48J	L
KD-S88BTJ	M						

Safe	Symbol No.	Parts No.	Parts Name	Description	QTY	Local
	C953	NDC31HJ-101X	C CAPACITOR	100pF 50V J	1	A,B,C,D,E,F,G,H,I,J
	C955	NDC31HJ-101X	C CAPACITOR	100pF 50V J	1	A,B,C,D,E,F,G,H,I,J
	C956	NDC31HJ-471X	C CAPACITOR	470pF 50V J	1	A,B,C,D,E,F,G,H,I,J
	C982	NCB31HK-104X	C CAPACITOR	0.1uF 50V K	1	A,B,C,D,E,F,G,H,I,J
	C991	NRSA63J-0R0X	MG RESISTOR	0Ω 1/10W J	1	A,B,C,D,E,F,G,H,I,J
	R1	NRSA63J-684X	MG RESISTOR	680kΩ 1/16W J	1	A,B,C,D,E,F,G,H,I,J
	R2	NRSA63J-684X	MG RESISTOR	680kΩ 1/16W J	1	A,B,C,D,E,F,G,H,I,J
	R4	NRSA63J-472X	MG RESISTOR	4.7kΩ 1/16W J	1	A,B,C,D,E,F,G,H,I,J
	R5	NRSA02J-470X	MG RESISTOR	47Ω 1/10W J	1	A,B,C,D,E,F,G,H,I,J
	R6	NRSA63J-221X	MG RESISTOR	220Ω 1/16W J	1	A,B,C,D,E,F,G,H,I,J
	R7	NRSA63J-221X	MG RESISTOR	220Ω 1/16W J	1	A,B,C,D,E,F,G,H,I,J
	R8	NRSA02J-470X	MG RESISTOR	47Ω 1/10W J	1	A,B,C,D,E,F,G,H,I,J
	R11	NRS181J-0R0X	MG RESISTOR	0Ω 1/8W J	1	A,B,C,D,E,F,G,H,I,J
	R14	NRSA63J-332X	MG RESISTOR	3.3kΩ 1/16W J	1	A,B,C,D,E,F,G,H,I,J
	R15	NRSA63J-332X	MG RESISTOR	3.3kΩ 1/16W J	1	A,B,C,D,E,F,G,H,I,J
	R90	NRSA63J-103X	MG RESISTOR	10kΩ 1/16W J	1	A,B,C,D,E,F,G,H,I,J
	R92	NRSA63J-822X	MG RESISTOR	8.2kΩ 1/16W J	1	A,B,C,D,E,F,G,H,I,J
	R93	NRSA63J-122X	MG RESISTOR	1.2kΩ 1/16W J	1	A,B,C,D,E,F,G,H,I,J
	R94	NRSA63J-122X	MG RESISTOR	1.2kΩ 1/16W J	1	A,B,C,D,E,F,G,H,I,J
	R95	NRSA63J-124X	MG RESISTOR	120kΩ 1/16W J	1	A,B,C,D,E,F,G,H,I,J
	R96	NRSA63J-333X	MG RESISTOR	33kΩ 1/16W J	1	A,B,C,D,E,F,G,H,I,J
	R97	NRSA63J-822X	MG RESISTOR	8.2kΩ 1/16W J	1	A,B,C,D,E,F,G,H,I,J
	R98	NRSA63J-103X	MG RESISTOR	10kΩ 1/16W J	1	A,B,C,D,E,F,G,H,I,J
	R99	NRSA63J-124X	MG RESISTOR	120kΩ 1/16W J	1	A,B,C,D,E,F,G,H,I,J
	R100	NRSA63J-103X	MG RESISTOR	10kΩ 1/16W J	1	A,B,C,D,E,F,G,H,I,J
	R101	NRSA63J-822X	MG RESISTOR	8.2kΩ 1/16W J	1	A,B,C,D,E,F,G,H,I,J
	R102	NRSA63J-0R0X	MG RESISTOR	0Ω 1/10W J	1	A,B,C,D,E,F,G,H,I,J
	R103	NRSA63J-0R0X	MG RESISTOR	0Ω 1/10W J	1	A,B,C,D,E,F,G,H,I,J
	R104	NRSA02J-100X	MG RESISTOR	10Ω 1/10W J	1	A,B,C,D,E,F,G,H,I,J
	R164	NRSA63J-0R0X	MG RESISTOR	0Ω 1/10W J	1	A,J
	R165	NRSA63J-0R0X	MG RESISTOR	0Ω 1/10W J	1	B,C,D,E,F,G,H,I
	R166	NRSA63J-473X	MG RESISTOR	47kΩ 1/16W J	1	A,B,C,D,E,F,G,H,I,J
	R167	NRSA63J-471X	MG RESISTOR	470Ω 1/16W J	1	A,B,C,D,E,F,G,H,I,J
	R168	NRSA63J-123X	MG RESISTOR	12kΩ 1/16W J	1	A,B,C,D,E,F,G,H,I,J
	R174	NRSA63J-0R0X	MG RESISTOR	0Ω 1/10W J	1	A,J
	R175	NRSA63J-0R0X	MG RESISTOR	0Ω 1/10W J	1	B,C,D,E,F,G,H,I
	R176	NRSA63J-473X	MG RESISTOR	47kΩ 1/16W J	1	A,B,C,D,E,F,G,H,I,J
	R178	NRSA63J-123X	MG RESISTOR	12kΩ 1/16W J	1	A,B,C,D,E,F,G,H,I,J
	R189	NRSA63J-222X	MG RESISTOR	2.2kΩ 1/16W J	1	A,B,C,D,E,F,G,H,I,J
	R195	NRSA63J-222X	MG RESISTOR	2.2kΩ 1/16W J	1	A,B,C,D,E,F,G,H,I,J
	R273	NRSA63J-0R0X	MG RESISTOR	0Ω 1/10W J	1	A,J
	R274	NRSA63J-333X	MG RESISTOR	33kΩ 1/16W J	1	A,J
	R275	NRSA63J-821X	MG RESISTOR	820Ω 1/16W J	1	A,J
	R276	NRSA63J-101X	MG RESISTOR	100Ω 1/16W J	1	A,J
	R277	NRSA63J-472X	MG RESISTOR	4.7kΩ 1/16W J	1	A,J
	R278	NRSA63J-101X	MG RESISTOR	100Ω 1/16W J	1	A,J
	R301	NRSA63J-102X	MG RESISTOR	1kΩ 1/16W J	1	A,B,C,D,E,F,G,H,I,J
	R302	NRSA63J-102X	MG RESISTOR	1kΩ 1/16W J	1	A,B,C,D,E,F,G,H,I,J
	R304	NRSA63J-472X	MG RESISTOR	4.7kΩ 1/16W J	1	A,B,C,D,E,F,G,H,I,J
	R309	NRSA02J-100X	MG RESISTOR	10Ω 1/10W J	1	A,B,C,D,E,F,G,H,I,J
	R310	NRSA63J-472X	MG RESISTOR	4.7kΩ 1/16W J	1	A,B,C,D,E,F,G,H,I,J
	R311	NRSA63J-102X	MG RESISTOR	1kΩ 1/16W J	1	A,B,C,D,E,F,G,H,I,J
	R312	NRSA63J-102X	MG RESISTOR	1kΩ 1/16W J	1	A,B,C,D,E,F,G,H,I,J
	R321	NRSA63J-472X	MG RESISTOR	4.7kΩ 1/16W J	1	A,B,C,D,E,F,G,H,I,J
	R322	NRSA63J-331X	MG RESISTOR	330Ω 1/16W J	1	A,B,C,D,E,F,G,H,I,J
	R323	NRSA63J-181X	MG RESISTOR	180Ω 1/16W J	1	A,B,C,D,E,F,G,H,I,J
	R324	NRSA63J-223X	MG RESISTOR	22kΩ 1/16W J	1	A,B,C,D,E,F,G,H,I,J
	R331	NRSA63J-472X	MG RESISTOR	4.7kΩ 1/16W J	1	A,B,C,D,E,F,G,H,I,J
	R332	NRSA63J-331X	MG RESISTOR	330Ω 1/16W J	1	A,B,C,D,E,F,G,H,I,J
	R333	NRSA63J-181X	MG RESISTOR	180Ω 1/16W J	1	A,B,C,D,E,F,G,H,I,J
	R334	NRSA63J-223X	MG RESISTOR	22kΩ 1/16W J	1	A,B,C,D,E,F,G,H,I,J
	R341	NRSA63J-472X	MG RESISTOR	4.7kΩ 1/16W J	1	A,B,C,D,E,F,G,H,I,J
	R342	NRSA63J-331X	MG RESISTOR	330Ω 1/16W J	1	A,B,C,D,E,F,G,H,I,J
	R343	NRSA63J-181X	MG RESISTOR	180Ω 1/16W J	1	A,B,C,D,E,F,G,H,I,J
	R344	NRSA63J-223X	MG RESISTOR	22kΩ 1/16W J	1	A,B,C,D,E,F,G,H,I,J
	R351	NRSA63J-472X	MG RESISTOR	4.7kΩ 1/16W J	1	A,B,C,D,E,F,G,H,I,J
	R352	NRSA63J-331X	MG RESISTOR	330Ω 1/16W J	1	A,B,C,D,E,F,G,H,I,J
	R353	NRSA63J-181X	MG RESISTOR	180Ω 1/16W J	1	A,B,C,D,E,F,G,H,I,J
	R354	NRSA63J-223X	MG RESISTOR	22kΩ 1/16W J	1	A,B,C,D,E,F,G,H,I,J
	R361	NRSA63J-333X	MG RESISTOR	33kΩ 1/16W J	1	F,G,H
	R362	NRSA63J-223X	MG RESISTOR	22kΩ 1/16W J	1	F,G,H
	R365	NRSA63J-333X	MG RESISTOR	33kΩ 1/16W J	1	F,G,H
	R366	NRSA63J-223X	MG RESISTOR	22kΩ 1/16W J	1	F,G,H
	R371	NRSA63J-0R0X	MG RESISTOR	0Ω 1/10W J	1	A,B,C,D,E,I,J
	R372	NRSA63J-0R0X	MG RESISTOR	0Ω 1/10W J	1	A,B,C,D,E,I,J
	R373	NRSA63J-0R0X	MG RESISTOR	0Ω 1/10W J	1	A,B,C,D,E,I,J
	R374	NRSA63J-0R0X	MG RESISTOR	0Ω 1/10W J	1	A,B,C,D,E,I,J
	R381	NRSA63J-333X	MG RESISTOR	33kΩ 1/16W J	1	F,G,H
	R382	NRSA63J-223X	MG RESISTOR	22kΩ 1/16W J	1	F,G,H
	R385	NRSA63J-333X	MG RESISTOR	33kΩ 1/16W J	1	F,G,H
	R386	NRSA63J-223X	MG RESISTOR	22kΩ 1/16W J	1	F,G,H
	R391	NRS125J-0R0X	MG RESISTOR	0Ω 1/2W J	1	A,B,C,D,E,F,G,H,I,J
	R392	NRS125J-0R0X	MG RESISTOR	0Ω 1/2W J	1	A,B,C,D,E,F,G,H,I,J
	R393	NRS125J-0R0X	MG RESISTOR	0Ω 1/2W J	1	A,B,C,D,E,F,G,H,I,J
	R394	NRS125J-0R0X	MG RESISTOR	0Ω 1/2W J	1	A,B,C,D,E,F,G,H,I,J
	R395	NRS125J-0R0X	MG RESISTOR	0Ω 1/2W J	1	A,B,C,D,E,F,G,H,I,J
	R396	NRS125J-0R0X	MG RESISTOR	0Ω 1/2W J	1	A,B,C,D,E,F,G,H,I,J
	R397	NRS181J-0R0X	MG RESISTOR	0Ω 1/8W J	1	A,B,C,D,E,F,G,H,I,J

MODEL	MARK	MODEL	MARK	MODEL	MARK	MODEL	MARK
KD-A725J	A	KD-R720J	B	KD-R721BTE	C	KD-R721BTEU	D
KD-R721BTEY	E	KD-R726U	F	KD-R726UH	G	KD-R726UT	H
KD-R727BTEE	I	KD-R728BTJ	J	KD-R729BTUR	K	KD-S48J	L
KD-S88BTJ	M						

Safe	Symbol No.	Parts No.	Parts Name	Description	QTY	Local
	R398	NRSA181J-0R0X	MG RESISTOR	0Ω 1/8W J	1	A,B,C,D,E,F,G,H,I,J
	R502	NRSA63J-682X	MG RESISTOR	6.8kΩ 1/16W J	1	A,B,C,D,E,F,G,H,I,J
	R503	NRSA63J-333X	MG RESISTOR	33kΩ 1/16W J	1	A,B,C,D,E,F,G,H,I,J
	R504	NRSA63J-822X	MG RESISTOR	8.2kΩ 1/16W J	1	A,B,C,D,E,F,G,H,I,J
	R505	NRSA63J-822X	MG RESISTOR	8.2kΩ 1/16W J	1	A,B,C,D,E,F,G,H,I,J
	R507	NRSA63J-222X	MG RESISTOR	2.2kΩ 1/16W J	1	A,B,C,D,E,F,G,H,I,J
	R508	NRSA63J-103X	MG RESISTOR	10kΩ 1/16W J	1	A,B,C,D,E,F,G,H,I,J
	R509	NRSA63J-822X	MG RESISTOR	8.2kΩ 1/16W J	1	A,B,C,D,E,F,G,H,I,J
	R510	NRSA63J-822X	MG RESISTOR	8.2kΩ 1/16W J	1	A,B,C,D,E,F,G,H,I,J
	R511	NRSA63J-562X	MG RESISTOR	5.6kΩ 1/16W J	1	A,B,C,D,E,F,G,H,I,J
	R512	NRSA63J-153X	MG RESISTOR	15kΩ 1/16W J	1	A,B,C,D,E,F,G,H,I,J
	R513	NRSA63J-153X	MG RESISTOR	15kΩ 1/16W J	1	A,B,C,D,E,F,G,H,I,J
	R514	NRSA63J-822X	MG RESISTOR	8.2kΩ 1/16W J	1	A,B,C,D,E,F,G,H,I,J
	R515	NRSA63J-562X	MG RESISTOR	5.6kΩ 1/16W J	1	A,B,C,D,E,F,G,H,I,J
	R516	NRSA63J-103X	MG RESISTOR	10kΩ 1/16W J	1	A,B,C,D,E,F,G,H,I,J
	R517	NRSA63J-682X	MG RESISTOR	6.8kΩ 1/16W J	1	A,B,C,D,E,F,G,H,I,J
	R518	NRSA63J-822X	MG RESISTOR	8.2kΩ 1/16W J	1	A,B,C,D,E,F,G,H,I,J
	R519	NRSA63J-333X	MG RESISTOR	33kΩ 1/16W J	1	A,B,C,D,E,F,G,H,I,J
	R520	NRS124J-100X	MG RESISTOR	10Ω 1/2W J	1	A,B,C,D,E,F,G,H,I,J
	R521	NRSA63J-822X	MG RESISTOR	8.2kΩ 1/16W J	1	A,B,C,D,E,F,G,H,I,J
	R522	NRSA63J-512X	MG RESISTOR	5.1kΩ 1/16W J	1	A,B,C,D,E,F,G,H,I,J
	R523	NRSA63J-333X	MG RESISTOR	33kΩ 1/16W J	1	A,B,C,D,E,F,G,H,I,J
	R524	NRSA63J-683X	MG RESISTOR	68kΩ 1/16W J	1	A,B,C,D,E,F,G,H,I,J
	R540	NRSA63J-821X	MG RESISTOR	820Ω 1/16W J	1	A,B,C,D,E,F,G,H,I,J
	R541	NRSA63J-272X	MG RESISTOR	2.7kΩ 1/16W J	1	A,B,C,D,E,F,G,H,I,J
	R542	NRSA63J-823X	MG RESISTOR	82kΩ 1/16W J	1	A,B,C,D,E,F,G,H,I,J
	R544	NRSA63J-0R0X	MG RESISTOR	0Ω 1/10W J	1	A,B,C,D,E,F,G,H,I,J
	R546	NRSA63J-220X	MG RESISTOR	22Ω 1/16W J	1	A,B,C,D,E,F,G,H,I,J
	R547	NRSA63J-220X	MG RESISTOR	22Ω 1/16W J	1	A,B,C,D,E,F,G,H,I,J
	R548	NRSA63J-0R0X	MG RESISTOR	0Ω 1/10W J	1	A,B,C,D,E,F,G,H,I,J
	R549	NRSA63J-103X	MG RESISTOR	10kΩ 1/16W J	1	A,B,C,D,E,F,G,H,I,J
	R550	NRSA63J-102X	MG RESISTOR	1kΩ 1/16W J	1	A,B,C,D,E,F,G,H,I,J
	R551	NRSA63J-102X	MG RESISTOR	1kΩ 1/16W J	1	A,B,C,D,E,F,G,H,I,J
	R552	NRSA63J-221X	MG RESISTOR	220Ω 1/16W J	1	A,B,C,D,E,F,G,H,I,J
	R553	NRSA63J-105X	MG RESISTOR	1MΩ 1/16W J	1	A,B,C,D,E,F,G,H,I,J
	R554	NRSA63J-102X	MG RESISTOR	1kΩ 1/16W J	1	A,B,C,D,E,F,G,H,I,J
	R556	NRSA63J-0R0X	MG RESISTOR	0Ω 1/10W J	1	A,B,C,D,E,F,G,H,I,J
	R557	NRSA63J-0R0X	MG RESISTOR	0Ω 1/10W J	1	A,B,C,D,E,F,G,H,I,J
	R558	NRSA63J-822X	MG RESISTOR	8.2kΩ 1/16W J	1	A,B,C,D,E,F,G,H,I,J
	R559	NRSA63J-822X	MG RESISTOR	8.2kΩ 1/16W J	1	A,B,C,D,E,F,G,H,I,J
	R560	NRSA63J-0R0X	MG RESISTOR	0Ω 1/10W J	1	A,B,C,D,E,F,G,H,I,J
	R561	NRSA63J-0R0X	MG RESISTOR	0Ω 1/10W J	1	A,B,C,D,E,F,G,H,I,J
	R562	NRSA63J-0R0X	MG RESISTOR	0Ω 1/10W J	1	A,B,C,D,E,F,G,H,I,J
	R563	NRSA02J-100X	MG RESISTOR	10Ω 1/10W J	1	A,B,C,D,E,F,G,H,I,J
	R564	NRSA02J-100X	MG RESISTOR	10Ω 1/10W J	1	A,B,C,D,E,F,G,H,I,J
	R565	NRSA63J-473X	MG RESISTOR	47kΩ 1/16W J	1	A,B,C,D,E,F,G,H,I,J
	R566	NRSA63J-0R0X	MG RESISTOR	0Ω 1/10W J	1	A,B,C,D,E,F,G,H,I,J
	R571	NRSA63J-330X	MG RESISTOR	33Ω 1/16W J	1	A,B,C,D,E,F,G,H,I,J
	R572	NRSA63J-330X	MG RESISTOR	33Ω 1/16W J	1	A,B,C,D,E,F,G,H,I,J
	R573	NRSA63J-330X	MG RESISTOR	33Ω 1/16W J	1	A,B,C,D,E,F,G,H,I,J
	R574	NRSA63J-330X	MG RESISTOR	33Ω 1/16W J	1	A,B,C,D,E,F,G,H,I,J
	R575	NQR0022-005X	FERRITE BEADS		1	A,B,C,D,E,F,G,H,I,J
	R576	NQR0022-005X	FERRITE BEADS		1	A,B,C,D,E,F,G,H,I,J
	R577	NQR0022-005X	FERRITE BEADS		1	A,B,C,D,E,F,G,H,I,J
	R581	NRSA63J-0R0X	MG RESISTOR	0Ω 1/10W J	1	A,B,C,D,E,F,G,H,I,J
	R583	NRSA63J-243X	MG RESISTOR	24kΩ 1/16W J	1	A,B,C,D,E,F,G,H,I,J
	R584	NRSA63J-243X	MG RESISTOR	24kΩ 1/16W J	1	A,B,C,D,E,F,G,H,I,J
	R585	NRSA63J-822X	MG RESISTOR	8.2kΩ 1/16W J	1	A,B,C,D,E,F,G,H,I,J
	R586	NRSA63J-822X	MG RESISTOR	8.2kΩ 1/16W J	1	A,B,C,D,E,F,G,H,I,J
	R587	NRSA63J-273X	MG RESISTOR	27kΩ 1/16W J	1	A,B,C,D,E,F,G,H,I,J
	R588	NRSA63J-273X	MG RESISTOR	27kΩ 1/16W J	1	A,B,C,D,E,F,G,H,I,J
	R591	NRSA63J-103X	MG RESISTOR	10kΩ 1/16W J	1	A,B,C,D,E,F,G,H,I,J
	R592	NRSA63J-103X	MG RESISTOR	10kΩ 1/16W J	1	A,B,C,D,E,F,G,H,I,J
	R593	NRSA63J-103X	MG RESISTOR	10kΩ 1/16W J	1	A,B,C,D,E,F,G,H,I,J
	R594	NRSA63J-103X	MG RESISTOR	10kΩ 1/16W J	1	A,B,C,D,E,F,G,H,I,J
	R603	NRSA63J-0R0X	MG RESISTOR	0Ω 1/10W J	1	A,B,C,D,E,F,G,H,I,J
	R701	NRSA63J-473X	MG RESISTOR	47kΩ 1/16W J	1	A,B,C,D,E,F,G,H,I,J
	R702	NRSA63J-106X	MG RESISTOR	10MΩ 1/16W J	1	A,B,C,D,E,F,G,H,I,J
	R703	NRSA63J-0R0X	MG RESISTOR	0Ω 1/10W J	1	A,B,C,D,E,F,G,H,I,J
	R705	NRSA63J-153X	MG RESISTOR	15kΩ 1/16W J	1	A,B,C,D,E,F,G,H,I,J
	R706	NRSA63J-0R0X	MG RESISTOR	0Ω 1/10W J	1	A,B,C,D,E,F,G,H,I,J
	R709	NRSA63J-151X	MG RESISTOR	150Ω 1/16W J	1	A,B,C,D,E,F,G,H,I,J
	R710	NRSA63J-151X	MG RESISTOR	150Ω 1/16W J	1	A,B,C,D,E,F,G,H,I,J
	R711	NRSA63J-472X	MG RESISTOR	4.7kΩ 1/16W J	1	A,B,C,D,E,F,G,H,I,J
	R713	NRSA63J-473X	MG RESISTOR	47kΩ 1/16W J	1	A,B,C,D,E,F,G,H,I,J
	R714	NRSA63J-473X	MG RESISTOR	47kΩ 1/16W J	1	A,B,C,D,E,F,G,H,I,J
	R715	NRSA63J-473X	MG RESISTOR	47kΩ 1/16W J	1	A,B,C,D,E,F,G,H,I,J
	R716	NRSA63J-101X	MG RESISTOR	100Ω 1/16W J	1	A,B,C,D,E,F,G,H,I,J
	R719	NRSA63J-473X	MG RESISTOR	47kΩ 1/16W J	1	A,B,C,D,E,F,G,H,I,J
	R720	NRSA63J-223X	MG RESISTOR	22kΩ 1/16W J	1	A,B,C,D,E,F,G,H,I,J
	R721	NRSA63J-101X	MG RESISTOR	100Ω 1/16W J	1	A,B,C,D,E,F,G,H,I,J
	R722	NRSA63J-222X	MG RESISTOR	2.2kΩ 1/16W J	1	A,B,C,D,E,F,G,H,I,J
	R723	NRSA63J-222X	MG RESISTOR	2.2kΩ 1/16W J	1	A,B,C,D,E,F,G,H,I,J
	R724	NRSA63J-222X	MG RESISTOR	2.2kΩ 1/16W J	1	A,B,C,D,E,F,G,H,I,J
	R725	NRSA63J-393X	MG RESISTOR	39kΩ 1/16W J	1	A,B,C,D,E,F,G,H,I,J
	R726	NRSA63J-223X	MG RESISTOR	22kΩ 1/16W J	1	A,B,C,D,E,F,G,H,I,J
	R727	NRSA63J-222X	MG RESISTOR	2.2kΩ 1/16W J	1	A,B,C,D,E,F,G,H,I,J

MODEL	MARK	MODEL	MARK	MODEL	MARK	MODEL	MARK
KD-A725J	A	KD-R720J	B	KD-R721BTE	C	KD-R721BTEU	D
KD-R721BTEY	E	KD-R726U	F	KD-R726UH	G	KD-R726UT	H
KD-R727BTEE	I	KD-R728BTJ	J	KD-R729BTUR	K	KD-S48J	L
KD-S88BTJ	M						

Safe	Symbol No.	Parts No.	Parts Name	Description	QTY	Local
	R729	NRSA63J-223X	MG RESISTOR	22kΩ 1/16W J	1	A,B,C,D,E,F,G,H,I,J
	R730	NRSA63J-153X	MG RESISTOR	15kΩ 1/16W J	1	A,B,C,D,E,F,G,H,I,J
	R731	NRSA63J-103X	MG RESISTOR	10kΩ 1/16W J	1	A,B,C,D,E,F,G,H,I,J
	R736	NRSA63J-392X	MG RESISTOR	3.9kΩ 1/16W J	1	A,B,C,D,E,F,G,H,I,J
	R737	NRSA63J-103X	MG RESISTOR	10kΩ 1/16W J	1	A,B,C,D,E,F,G,H,I,J
	R738	NRSA63J-103X	MG RESISTOR	10kΩ 1/16W J	1	A,B,C,D,E,F,G,H,I,J
	R739	NRSA63J-104X	MG RESISTOR	100kΩ 1/16W J	1	A,B,C,D,E,F,G,H,I,J
	R740	NRSA63J-104X	MG RESISTOR	100kΩ 1/16W J	1	A,B,C,D,E,F,G,H,I,J
	R741	NRSA63J-472X	MG RESISTOR	4.7kΩ 1/16W J	1	A,B,C,D,E,F,G,H,I,J
	R743	NRSA63J-472X	MG RESISTOR	4.7kΩ 1/16W J	1	A,B,C,D,E,F,G,H,I,J
	R744	NRSA63J-472X	MG RESISTOR	4.7kΩ 1/16W J	1	A,B,C,D,E,F,G,H,I,J
	R745	NRSA63J-101X	MG RESISTOR	100Ω 1/16W J	1	A,B,F,G,H
	R746	NRSA63J-472X	MG RESISTOR	4.7kΩ 1/16W J	1	A,B,C,D,E,F,G,H,I,J
	R748	NRSA63J-473X	MG RESISTOR	47kΩ 1/16W J	1	A,B,C,D,E,F,G,H,I,J
	R749	NRSA63J-473X	MG RESISTOR	47kΩ 1/16W J	1	A,B,C,D,E,F,G,H,I,J
	R750	NRSA63J-103X	MG RESISTOR	10kΩ 1/16W J	1	A,F,G,H,I
	R751	NRSA63J-103X	MG RESISTOR	10kΩ 1/16W J	1	B,C,D,E,J
	R754	NRSA63J-473X	MG RESISTOR	47kΩ 1/16W J	1	A,B,C,D,E,F,G,H,I,J
	R755	NRSA63J-473X	MG RESISTOR	47kΩ 1/16W J	1	A,B,C,D,E,F,G,H,I,J
	R756	NRSA63J-473X	MG RESISTOR	47kΩ 1/16W J	1	A,B,C,D,E,F,G,H,I,J
	R757	NRSA63J-102X	MG RESISTOR	1kΩ 1/16W J	1	A,B,C,D,E,F,G,H,J
	R758	NRSA63J-103X	MG RESISTOR	10kΩ 1/16W J	1	C,D,E,I
	R759	NRSA63J-102X	MG RESISTOR	1kΩ 1/16W J	1	A,B
	R760	NRSA63J-223X	MG RESISTOR	22kΩ 1/16W J	1	A,B,C,D,E,F,G,H,J
	R761	NRSA63J-392X	MG RESISTOR	3.9kΩ 1/16W J	1	A,B,C,D,E,F,G,H,I,J
	R762	NRSA63J-0R0X	MG RESISTOR	0Ω 1/10W J	1	A,B
	R763	NRSA63J-472X	MG RESISTOR	4.7kΩ 1/16W J	1	A,B
	R764	NRSA63J-472X	MG RESISTOR	4.7kΩ 1/16W J	1	A,B
	R765	NRSA63J-102X	MG RESISTOR	1kΩ 1/16W J	1	A,B
	R766	NRSA63J-103X	MG RESISTOR	10kΩ 1/16W J	1	A,B,C,D,E,F,G,H,J
	R767	NRSA63J-102X	MG RESISTOR	1kΩ 1/16W J	1	A,B,C,D,E,F,G,H,I,J
	R771	NRSA63J-271X	MG RESISTOR	270Ω 1/16W J	1	C,D,E,I
	R772	NRSA63J-271X	MG RESISTOR	270Ω 1/16W J	1	C,D,E,I
	R774	NRSA63J-222X	MG RESISTOR	2.2kΩ 1/16W J	1	A,B,C,D,E,F,G,H,I,J
	R781	NRSA63J-473X	MG RESISTOR	47kΩ 1/16W J	1	A,B,C,D,E,F,G,H,I,J
	R782	NRSA63J-331X	MG RESISTOR	330Ω 1/16W J	1	A,B,C,D,E,F,G,H,I,J
	R783	NRSA63J-103X	MG RESISTOR	10kΩ 1/16W J	1	A,B,C,D,E,F,G,H,I,J
	R785	NRSA63J-0R0X	MG RESISTOR	0Ω 1/10W J	1	A,B,C,D,E,F,G,H,I,J
	R786	NRSA63J-0R0X	MG RESISTOR	0Ω 1/10W J	1	A,B,C,D,E,F,G,H,I,J
	R790	NRSA63J-104X	MG RESISTOR	100kΩ 1/16W J	1	A,B,C,D,E,F,G,H,I,J
	R791	NRSA63J-103X	MG RESISTOR	10kΩ 1/16W J	1	A,B,C,D,E,F,G,H,I,J
	R801	NRSA63J-392X	MG RESISTOR	3.9kΩ 1/16W J	1	A,B
	R803	NRSA63J-682X	MG RESISTOR	6.8kΩ 1/16W J	1	A,B
	R804	NRSA63J-101X	MG RESISTOR	100Ω 1/16W J	1	A,B
	R805	NRSA63J-473X	MG RESISTOR	47kΩ 1/16W J	1	A,B
	R806	NRSA63J-104X	MG RESISTOR	100kΩ 1/16W J	1	A,B
	R807	NRSA63J-101X	MG RESISTOR	100Ω 1/16W J	1	A,B
	R808	NRSA63J-473X	MG RESISTOR	47kΩ 1/16W J	1	A,B
	R809	NRSA63J-682X	MG RESISTOR	6.8kΩ 1/16W J	1	A,B
	R810	NRSA63J-104X	MG RESISTOR	100kΩ 1/16W J	1	A,B
	R811	NRSA63J-104X	MG RESISTOR	100kΩ 1/16W J	1	A,B
	R812	NRSA63J-392X	MG RESISTOR	3.9kΩ 1/16W J	1	A,B
	R814	NRSA63J-0R0X	MG RESISTOR	0Ω 1/10W J	1	A,B
	R851	NRSA63J-472X	MG RESISTOR	4.7kΩ 1/16W J	1	F,G,H
	R881	NRSA63J-273X	MG RESISTOR	27kΩ 1/16W J	1	A,B,C,D,E,F,G,H,I,J
	R882	NRSA63J-473X	MG RESISTOR	47kΩ 1/16W J	1	A,B,C,D,E,F,G,H,I,J
	R901	NRSA63J-103X	MG RESISTOR	10kΩ 1/16W J	1	A,B,C,D,E,F,G,H,I,J
	R902	NRSA63J-562X	MG RESISTOR	5.6kΩ 1/16W J	1	A,B,C,D,E,F,G,H,I,J
	R904	NRSA63D-274X	MG RESISTOR	270kΩ 1/16W D	1	A,B,C,D,E,F,G,H,I,J
	R905	NRSA63J-472X	MG RESISTOR	4.7kΩ 1/16W J	1	A,B,C,D,E,F,G,H,I,J
	R906	NRSA63D-273X	MG RESISTOR	27kΩ 1/16W D	1	A,B,C,D,E,F,G,H,I,J
	R907	NRSA63J-0R0X	MG RESISTOR	0Ω 1/10W J	1	A,B,C,D,E,F,G,H,I,J
	R921	NRSA63J-0R0X	MG RESISTOR	0Ω 1/10W J	1	A,B,C,D,E,F,G,H,I,J
	R922	NRSA63J-0R0X	MG RESISTOR	0Ω 1/10W J	1	A,B,C,D,E,F,G,H,I,J
	R923	NRSA63J-0R0X	MG RESISTOR	0Ω 1/10W J	1	A,B,C,D,E,F,G,H,I,J
	R924	NRSA63J-0R0X	MG RESISTOR	0Ω 1/10W J	1	A,B,C,D,E,F,G,H,I,J
	R931	NRSA63D-272X	MG RESISTOR	2.7kΩ 1/16W D	1	A,B,C,D,E,F,G,H,I,J
	R932	NRSA63J-471X	MG RESISTOR	470Ω 1/16W J	1	A,B,C,D,E,F,G,H,I,J
	R933	NRSA63J-470X	MG RESISTOR	47Ω 1/16W J	1	A,B,C,D,E,F,G,H,I,J
	R934	NRSA63D-102X	MG RESISTOR	1kΩ 1/16W D	1	A,B,C,D,E,F,G,H,I,J
	R935	NRSA63J-472X	MG RESISTOR	4.7kΩ 1/16W J	1	A,B,C,D,E,F,G,H,I,J
	R936	NRSA63D-333X	MG RESISTOR	33kΩ 1/16W D	1	A,B,C,D,E,F,G,H,I,J
	R937	NRSA63D-333X	MG RESISTOR	33kΩ 1/16W D	1	A,B,C,D,E,F,G,H,I,J
	R938	NRSA63J-563X	MG RESISTOR	56kΩ 1/16W J	1	A,B,C,D,E,F,G,H,I,J
	R939	NRSA63J-683X	MG RESISTOR	68kΩ 1/16W J	1	A,B,C,D,E,F,G,H,I,J
	R940	NRSA63J-471X	MG RESISTOR	470Ω 1/16W J	1	A,B,C,D,E,F,G,H,I,J
	R941	NRSA63D-272X	MG RESISTOR	2.7kΩ 1/16W D	1	A,B,C,D,E,F,G,H,I,J
	R942	NRSA63J-471X	MG RESISTOR	470Ω 1/16W J	1	A,B,C,D,E,F,G,H,I,J
	R943	NRSA63J-470X	MG RESISTOR	47Ω 1/16W J	1	A,B,C,D,E,F,G,H,I,J
	R944	NRSA63D-102X	MG RESISTOR	1kΩ 1/16W D	1	A,B,C,D,E,F,G,H,I,J
	R945	NRSA63J-472X	MG RESISTOR	4.7kΩ 1/16W J	1	A,B,C,D,E,F,G,H,I,J
	R946	NRSA63D-333X	MG RESISTOR	33kΩ 1/16W D	1	A,B,C,D,E,F,G,H,I,J
	R947	NRSA63D-333X	MG RESISTOR	33kΩ 1/16W D	1	A,B,C,D,E,F,G,H,I,J
	R948	NRSA63J-563X	MG RESISTOR	56kΩ 1/16W J	1	A,B,C,D,E,F,G,H,I,J
	R949	NRSA63J-683X	MG RESISTOR	68kΩ 1/16W J	1	A,B,C,D,E,F,G,H,I,J
	R950	NRSA63J-471X	MG RESISTOR	470Ω 1/16W J	1	A,B,C,D,E,F,G,H,I,J
	R951	NRSA63J-471X	MG RESISTOR	470Ω 1/16W J	1	A,B,C,D,E,F,G,H,I,J
	R952	NRSA63J-5R6X	MG RESISTOR	5.6Ω 1/16W J	1	A,B,C,D,E,F,G,H,I,J

MODEL	MARK	MODEL	MARK	MODEL	MARK	MODEL	MARK
KD-A725J	A	KD-R720J	B	KD-R721BTE	C	KD-R721BTEU	D
KD-R721BTEY	E	KD-R726U	F	KD-R726UH	G	KD-R726UT	H
KD-R727BTEE	I	KD-R728BTJ	J	KD-R729BTUR	K	KD-S48J	L
KD-S88BTJ	M						

Safe	Symbol No.	Parts No.	Parts Name	Description	QTY	Local
	R953	NRSA63J-5R6X	MG RESISTOR	5.6Ω 1/16W J	1	A,B,C,D,E,F,G,H,I,J
	R954	NRSA63J-471X	MG RESISTOR	470Ω 1/16W J	1	A,B,C,D,E,F,G,H,I,J
	R955	NRSA63J-104X	MG RESISTOR	100kΩ 1/16W J	1	A,B,C,D,E,F,G,H,I,J
	R956	NRSA63J-273X	MG RESISTOR	27kΩ 1/16W J	1	A,B,C,D,E,F,G,H,I,J
	R957	NRSA63J-0R0X	MG RESISTOR	0Ω 1/10W J	1	A,B,C,D,E,F,G,H,I,J
	R958	NRS181J-271X	MG RESISTOR	270Ω 1/8W J	1	A,B,C,D,E,F,G,H,I,J
	R959	NRS181J-271X	MG RESISTOR	270Ω 1/8W J	1	A,B,C,D,E,F,G,H,I,J
	R960	NRSA63J-682X	MG RESISTOR	6.8kΩ 1/16W J	1	A,B,C,D,E,F,G,H,I,J
	R961	NRSA63J-103X	MG RESISTOR	10kΩ 1/16W J	1	A,B,C,D,E,F,G,H,I,J
	R962	NRSA63J-103X	MG RESISTOR	10kΩ 1/16W J	1	A,B,C,D,E,F,G,H,I,J
	R964	NRSA63J-473X	MG RESISTOR	47kΩ 1/16W J	1	A,B,C,D,E,F,G,H,I,J
	R965	NRSA63J-682X	MG RESISTOR	6.8kΩ 1/16W J	1	A,B,C,D,E,F,G,H,I,J
	R971	NRSA63J-103X	MG RESISTOR	10kΩ 1/16W J	1	A,B,C,D,E,F,G,H,I,J
	R972	NRSA63J-103X	MG RESISTOR	10kΩ 1/16W J	1	A,B,C,D,E,F,G,H,I,J
	R973	NRSA63J-203X	MG RESISTOR	20kΩ 1/16W J	1	A,B,C,D,E,F,G,H,I,J
	R974	NRSA63J-473X	MG RESISTOR	47kΩ 1/16W J	1	A,B,C,D,E,F,G,H,I,J
	R975	NRSA02J-473X	MG RESISTOR	47kΩ 1/10W J	1	A,B,C,D,E,F,G,H,I,J
	R976	NRSA02J-683X	MG RESISTOR	68kΩ 1/10W J	1	A,B,C,D,E,F,G,H,I,J
	R977	NRSA63J-473X	MG RESISTOR	47kΩ 1/16W J	1	A,B,C,D,E,F,G,H,I,J
	R981	NRS181J-332X	MG RESISTOR	3.3kΩ 1/8W J	1	A,B,C,D,E,F,G,H,I,J
	R987	NRSA63J-0R0X	MG RESISTOR	0Ω 1/10W J	1	A,B,C,D,E,F,G,H,I,J
	R989	NRS181J-0R0X	MG RESISTOR	0Ω 1/8W J	1	A,B,C,D,E,F,G,H,I,J
	R990	NRSA63J-0R0X	MG RESISTOR	0Ω 1/10W J	1	A,B,C,D,E,F,G,H,I,J
	R994	NRSA63J-0R0X	MG RESISTOR	0Ω 1/10W J	1	A,B,C,D,E,F,G,H,I,J
	R995	NRSA63J-0R0X	MG RESISTOR	0Ω 1/10W J	1	A,B,C,D,E,F,G,H,I,J
	R996	NRSA63J-0R0X	MG RESISTOR	0Ω 1/10W J	1	A,B,C,D,E,F,G,H,I,J
	R997	NRS181J-0R0X	MG RESISTOR	0Ω 1/8W J	1	A,B,C,D,E,F,G,H,I,J
	R998	NRS181J-0R0X	MG RESISTOR	0Ω 1/8W J	1	A,B,C,D,E,F,G,H,I,J
	R999	NRS181J-0R0X	MG RESISTOR	0Ω 1/8W J	1	A,B,C,D,E,F,G,H,I,J
	L1	QQL232K-R47Z	COIL	0.47uH K	1	A,B,C,D,E,F,G,H,I,J
	L2	QQL232K-1R8Z	COIL	1.8uH K	1	A,B,C,D,E,F,G,H,I,J
	L3	QQL232K-R27Z	COIL	0.27uH K	1	A,B,C,D,E,F,G,H,I,J
	L4	QQR1872-001	RF COIL		1	A,B,C,D,E,F,G,H,I,J
	L5	QQL244J-561Z	COIL	560uH J	1	A,B,C,D,E,F,G,H,I,J
	L6	QQL244J-561Z	COIL	560uH J	1	A,B,C,D,E,F,G,H,I,J
	L7	QQL244J-4R7Z	P COIL	4.7uH J	1	A,B,C,D,E,F,G,H,I,J
	L8	NQL093K-4R7X	P COIL	4.7uH K	1	A,B,C,D,E,F,G,H,I,J
	L9	NQL093K-R47X	P COIL	0.47uH K	1	A,B,C,D,E,F,G,H,I,J
	L10	NQR0269-026X	FERRITE BEADS	10.500mA	1	A,B
	L10	NRSA63J-0R0X	MG RESISTOR	0Ω 1/10W J	1	C,D,E,F,G,H,I
	L181	NQLH25M-4R7X	COIL	4.7uH M	1	A,B,C,D,E,F,G,H,I,J
	L182	NQL553J-27NX	COIL	27nH J	1	A,B,C,D,E,F,G,H,I,J
	L191	NQL79GM-4R7X	COIL	4.7uH M	1	A,B,C,D,E,F,G,H,I,J
	L521	NQL093K-1R8X	P COIL	1.8uH K	1	A,B,C,D,E,F,G,H,I,J
	L701	QQL244K-4R7Z	COIL	4.7uH K	1	A,B,C,D,E,F,G,H,I,J
	L702	QQL244K-4R7Z	COIL	4.7uH K	1	A,B,C,D,E,F,G,H,I,J
	L901	QQR1884-001	CHOKO COIL		1	A,B,C,D,E,F,G,H,I,J
	L902	NQL79GM-101X	COIL	100uH M	1	A,B,C,D,E,F,G,H,I,J
	L931	QQL92AK-330Z	COIL	33uH K	1	A,B,C,D,E,F,G,H,I,J
	L941	QQL92AK-330Z	COIL	33uH K	1	A,B,C,D,E,F,G,H,I,J
	B181	NRS181J-0R0X	MG RESISTOR	0Ω 1/8W J	1	A,B,C,D,E,F,G,H,I,J
	B541	NRS181J-0R0X	MG RESISTOR	0Ω 1/8W J	1	A,B,C,D,E,F,G,H,I,J
	CN90	QGA2001F1-02	CONNECTOR	W-B (1-2)	1	A,B,C,D,E,F,G,H,I,J
	CN472	QGA2001C1-05	CONNECTOR	W-B (1-5)	1	A,B,C,D,E,F,G,H,I,J
	CN502	QGF1049F1-26X	CONNECTOR	FFC/FPC (1-26)	1	A,B,C,D,E,F,G,H,I,J
	CN701	QGZ1102J1-20	CONNECTOR	(1-20)	1	A,B,C,D,E,F,G,H,I,J
	CN901	QNZ0607-001	CAR CONNECTOR		1	A,B,C,D,E,F,G,H,I,J
△	F902	NMFZ018-3R0X-E	FUSE	3A	1	A,B,C,D,E,F,G,H,I,J
	J1	QNB0190-001	ANT TERMINAL		1	A,B,C,D,E,F,G,H,I,J
	J1 or	QNB0348-001	ANT TERMINAL		1	A,B,C,D,E,F,G,H,I,J
	J321	QNN0866-001	PIN JACK		1	A,J
	J321	QNN0868-001	PIN JACK		1	B,C,D,E,F,G,H,I
	J801	QNZ0095-001	CONNECTOR		1	A,B
	K581	NQR0022-005X	FERRITE BEADS		1	A,B,C,D,E,F,G,H,I,J
	K703	NRSA02J-0R0X	MG RESISTOR	0Ω 1/10W J	1	A,B,C,D,E,F,G,H,I,J
	K704	NRSA02J-0R0X	MG RESISTOR	0Ω 1/10W J	1	A,B,C,D,E,F,G,H,I,J
	K705	NRSA02J-0R0X	MG RESISTOR	0Ω 1/10W J	1	A,B,C,D,E,F,G,H,I,J
	K706	NQR0022-005X	FERRITE BEADS		1	A,B,C,D,E,F,G,H,I,J
	K707	NQR0022-005X	FERRITE BEADS		1	A,B,C,D,E,F,G,H,I,J
	K708	NQR0022-005X	FERRITE BEADS		1	A,B,C,D,E,F,G,H,I,J
	K931	NQLH25M-4R7X	COIL	4.7uH M	1	A,B,C,D,E,F,G,H,I,J
	K941	NQLH25M-4R7X	COIL	4.7uH M	1	A,B,C,D,E,F,G,H,I,J
	LF472	NQR0682-001X	CHOKO COIL		1	A,B,C,D,E,F,G,H,I,J
	PP1	QZW0010-001	STYLE PIN		1	A,B,C,D,E,F,G,H,I,J
	PP2	QZW0010-001	STYLE PIN		1	A,B,C,D,E,F,G,H,I,J
	PP3	QZW0010-001	STYLE PIN		1	A,B,C,D,E,F,G,H,I,J
	S703	QSW0648-001Z	TACT SWITCH		1	A,B,C,D,E,F,G,H,I,J
	X11	QAX0952-001Z	CRYSTAL		1	A,B,C,D,E,F,G,H,I,J
	X521	QAX0714-001Z	C RESONATOR	16.000MHz	1	A,B,C,D,E,F,G,H,I,J
	X701	NAX0917-001X	C RESONATOR		1	A,B,C,D,E,F,G,H,I,J
	X702	QAX0401-001	CRYSTAL	32.768kHz	1	A,B,C,D,E,F,G,H,I,J
Switch board A725J, R720J, R726U/UH/UT, KD-S48J, KD-S88BTJ<02>						
	IC601	PCA9624PW-X	IC		1	A,B,F,G,H,L,M
	IC661	PTC6526LQ-L	IC		1	A,B,F,G,H,L,M
	IC681	KSM-2003TN5B	IR DETECT UNIT		1	A,B,F,G,H,L,M
	Q627	2SC4154/EF-X	TRANSISTOR		1	A,B,F,G,H,L,M
	D623	NSSM065T-X	LED		1	A,B,F,G,H,L,M
	D624	NSSM065T-X	LED		1	A,M

MODEL	MARK	MODEL	MARK	MODEL	MARK	MODEL	MARK
KD-A725J	A	KD-R720J	B	KD-R721BTE	C	KD-R721BTEU	D
KD-R721BTEY	E	KD-R726U	F	KD-R726UH	G	KD-R726UT	H
KD-R727BTEE	I	KD-R728BTJ	J	KD-R729BTUR	K	KD-S48J	L
KD-S88BTJ	M						

Safe	Symbol No.	Parts No.	Parts Name	Description	QTY	Local
	D625	NSSM065T-X	LED		1	A,B,F,G,H,L,M
	D627	DZ2J056/M/-X	Z DIODE		1	A,B,F,G,H,L,M
	D630	SML-D12V8W-X	LED		1	A,B,F,G,H,L,M
	D631	SML-D12V8W-X	LED		1	A,B,F,G,H,L,M
	D632	SML-D12V8W-X	LED		1	A,B,F,G,H,L,M
	D661	RKS801KF-X	SI DIODE		1	A,B,F,G,H,L,M
	D661	or DA2J101-X	SI DIODE		1	A,B,F,G,H,L,M
	D691	DZ2J051/M/-X	Z DIODE		1	A,B,F,G,H,L,M
	D692	DZ2J051/M/-X	Z DIODE		1	A,B,F,G,H,L,M
	C620	NCB31CK-105X	C CAPACITOR	1uF 16V K	1	A,B,F,G,H,L,M
	C624	NCB31CK-104X	C CAPACITOR	0.1uF 16V	1	A,B,F,G,H,L,M
	C628	NCB31CK-105X	C CAPACITOR	1uF 16V K	1	A,B,F,G,H,L,M
	C661	NCB31CK-105X	C CAPACITOR	1uF 16V K	1	A,B,F,G,H,L,M
	C662	NDC31HJ-121X	C CAPACITOR	120pF 50V J	1	A,B,F,G,H,L,M
	C663	NCB31HK-104X	C CAPACITOR	0.1uF 50V K	1	A,B,F,G,H,L,M
	C665	NCB31HK-104X	C CAPACITOR	0.1uF 50V K	1	A,B,F,G,H,L,M
	C666	NCB31HK-104X	C CAPACITOR	0.1uF 50V K	1	A,B,F,G,H,L,M
	C682	NCB31CK-104X	C CAPACITOR	0.1uF 16V	1	A,B,F,G,H,L,M
	C684	NDC31HJ-270X	C CAPACITOR	27pF 50V J	1	A,B,F,G,H,L,M
	C685	NDC31HJ-270X	C CAPACITOR	27pF 50V J	1	A,B,F,G,H,L,M
	C687	NCB31HK-472X	C CAPACITOR	4700pF 50V K	1	A,B,F,G,H,L,M
	C688	NCB31HK-472X	C CAPACITOR	4700pF 50V K	1	A,B,F,G,H,L,M
	C691	NCJ11EK-106X-R	C CAPACITOR	10uF 25V	1	A,B,F,G,H,L,M
	R601	NRSA63J-821X	MG RESISTOR	820Ω 1/16W J	1	A,B,F,G,H,L,M
	R602	NRSA63J-821X	MG RESISTOR	820Ω 1/16W J	1	A,B,F,G,H,L,M
	R603	NRSA63J-122X	MG RESISTOR	1.2kΩ 1/16W J	1	A,B,F,G,H,L,M
	R604	NRSA63J-182X	MG RESISTOR	1.8kΩ 1/16W J	1	A,B,F,G,H,L,M
	R605	NRSA63J-272X	MG RESISTOR	2.7kΩ 1/16W J	1	A,B,F,G,H,L,M
	R607	NRSA63J-821X	MG RESISTOR	820Ω 1/16W J	1	A,B,F,G,H,L,M
	R608	NRSA63J-821X	MG RESISTOR	820Ω 1/16W J	1	A,B,F,G,H,L,M
	R609	NRSA63J-122X	MG RESISTOR	1.2kΩ 1/16W J	1	A,B,F,G,H,L,M
	R610	NRSA63J-182X	MG RESISTOR	1.8kΩ 1/16W J	1	A,B,F,G,H,L,M
	R611	NRSA63J-272X	MG RESISTOR	2.7kΩ 1/16W J	1	A,B,F,G,H,L,M
	R612	NRSA63J-392X	MG RESISTOR	3.9kΩ 1/16W J	1	A,B,F,G,H,L,M
	R613	NRSA63J-103X	MG RESISTOR	10kΩ 1/16W J	1	A,B,F,G,H,L,M
	R621	NRSA63J-0R0X	MG RESISTOR	0Ω 1/10W J	1	A,B,F,G,H,L,M
	R622	NRSA63J-0R0X	MG RESISTOR	0Ω 1/10W J	1	A,B,F,G,H,L,M
	R623	NRS181J-331X	MG RESISTOR	330Ω 1/8W J	1	A,B,F,G,H,L,M
	R624	NRSA63J-101X	MG RESISTOR	100Ω 1/16W J	1	A,B,F,G,H,L,M
	R625	NRSA63J-101X	MG RESISTOR	100Ω 1/16W J	1	A,B,F,G,H,L,M
	R627	NRSA63J-102X	MG RESISTOR	1kΩ 1/16W J	1	A,B,F,G,H,L,M
	R628	NRS181J-4R7X	MG RESISTOR	4.7Ω 1/8W J	1	A,B,F,G,H,L,M
	R631	NRS181J-681X	MG RESISTOR	680Ω 1/8W J	1	A,B,F,G,H,L,M
	R647	NRS181J-271X	MG RESISTOR	270Ω 1/8W J	1	A,B,F,G,H,L,M
	R648	NRS181J-271X	MG RESISTOR	270Ω 1/8W J	1	A,B,F,G,H,L,M
	R649	NRS181J-561X	MG RESISTOR	560Ω 1/8W J	1	A,B,F,G,H,L,M
	R650	NRS181J-0R0X	MG RESISTOR	0Ω 1/8W J	1	A,B,F,G,H,L,M
	R653	NRS181J-561X	MG RESISTOR	560Ω 1/8W J	1	A,B,F,G,H,L,M
	R656	NRS181J-471X	MG RESISTOR	470Ω 1/8W J	1	A,B,F,G,H,L,M
	R657	NRS181J-471X	MG RESISTOR	470Ω 1/8W J	1	A,B,F,G,H,L,M
	R658	NRS181J-751X	MG RESISTOR	750Ω 1/8W J	1	A,B,F,G,H,L,M
	R660	NRSA63J-394X	MG RESISTOR	390kΩ 1/16W J	1	A,B,F,G,H,L,M
	R661	NRSA63J-102X	MG RESISTOR	1kΩ 1/16W J	1	A,B,F,G,H,L,M
	R662	NRSA63J-102X	MG RESISTOR	1kΩ 1/16W J	1	A,B,F,G,H,L,M
	R663	NRSA63J-102X	MG RESISTOR	1kΩ 1/16W J	1	A,B,F,G,H,L,M
	R664	NRSA63J-164X	MG RESISTOR	160kΩ 1/16W J	1	A,B,F,G,H,L,M
	R665	NRSA63J-101X	MG RESISTOR	100Ω 1/16W J	1	A,B,F,G,H,L,M
	R666	NRSA63J-101X	MG RESISTOR	100Ω 1/16W J	1	A,B,F,G,H,L,M
	R667	NRSA63J-101X	MG RESISTOR	100Ω 1/16W J	1	A,B,F,G,H,L,M
	R677	NRSA63J-0R0X	MG RESISTOR	0Ω 1/10W J	1	A,B,F,G,H,L,M
	R681	NRSA63J-471X	MG RESISTOR	470Ω 1/16W J	1	A,B,F,G,H,L,M
	R682	NRSA63J-103X	MG RESISTOR	10kΩ 1/16W J	1	A,B,F,G,H,L,M
	R683	NRSA63J-392X	MG RESISTOR	3.9kΩ 1/16W J	1	A,B,F,G,H,L,M
	R693	NRS181J-103X	MG RESISTOR	10kΩ 1/8W J	1	A,B,F,G,H,L,M
	R694	NRSA63J-0R0X	MG RESISTOR	0Ω 1/10W J	1	A,B,F,G,H,L,M
	L671	NQR0022-005X	FERRITE BEADS		1	A,B,F,G,H,L,M
	L672	NQR0022-005X	FERRITE BEADS		1	A,B,F,G,H,L,M
	L673	NQR0022-005X	FERRITE BEADS		1	A,B,F,G,H,L,M
	B621	NQR0022-005X	FERRITE BEADS		1	A,B,F,G,H
	CJ601	QGZ1102K2-20X	CONNECTOR	(1-20)	1	A,B,F,G,H,L,M
	CN603	QNZ1057-001	USB CONNECTOR		1	A,B,F,G,H,L,M
	J601	QNS0298-001	3.5 JACK		1	A,B,F,G,H,L,M
	JS686	QSW1231-002	ROTARY ENCODER		1	A,B,F,G,H,L,M
	LF691	NQR0682-001X	CHOKE COIL		1	A,B,F,G,H,L,M
	S601	NSW0246-001X	TACK SW		1	A,B,F,G,H,L,M
	S602	NSW0246-001X	TACK SW		1	A,B,F,G,H,L,M
	S603	NSW0246-001X	TACK SW		1	A,B,F,G,H,L,M
	S604	NSW0246-001X	TACK SW		1	A,B,F,G,H,L,M
	S605	NSW0246-001X	TACK SW		1	A,B,F,G,H,L,M
	S606	NSW0246-001X	TACK SW		1	A,B,F,G,H,L,M
	S607	NSW0246-001X	TACK SW		1	A,B,F,G,H,L,M
	S608	NSW0326-001X	TACT SWITCH		1	A,B,F,G,H,L,M
	S609	NSW0246-001X	TACK SW		1	A,B,F,G,H,L,M
	S610	NSW0326-001X	TACT SWITCH		1	A,B,F,G,H,L,M
	S611	NSW0326-001X	TACT SWITCH		1	A,B,F,G,H,L,M

Switch board R721BTE/BTEU/BTEY, R727BTEE, R728BTJ, R729BTUR<03>

IC661	PT6579LQ	IC	1	C,D,E,I,J,K
IC681	KSM-2003TN5B	IR DETECT UNIT	1	C,D,E,I,J,K

MODEL	MARK	MODEL	MARK	MODEL	MARK	MODEL	MARK
KD-A725J	A	KD-R720J	B	KD-R721BTE	C	KD-R721BTEU	D
KD-R721BTEY	E	KD-R726U	F	KD-R726UH	G	KD-R726UT	H
KD-R727BTEE	I	KD-R728BTJ	J	KD-R729BTUR	K	KD-S48J	L
KD-S88BTJ	M						

Safe	Symbol No.	Parts No.	Parts Name	Description	QTY	Local
	Q631	2SC4154/EF/-X	TRANSISTOR		1	C,D,E,I,J,K
	Q632	2SC4154/EF/-X	TRANSISTOR		1	C,D,E,I,J,K
	Q634	2SC4154/EF/-X	TRANSISTOR		1	C,D,E,I,J,K
	D631	SML-D12V8W-X	LED		1	C,D,E,I,J,K
	D632	SML-D12V8W-X	LED		1	C,D,E,I,J,K
	D633	SML-D12V8W-X	LED		1	C,D,E,I,J,K
	D635	KLB-16B-X	LED		1	C,D,E,I,J,K
	D636	KLB-16B-X	LED		1	C,D,E,I,J,K
	D637	KLB-16B-X	LED		1	C,D,E,I,J,K
	D638	KLB-16B-X	LED		1	C,D,E,I,J,K
	D639	KLB-16B-X	LED		1	C,D,E,I,J,K
	D640	KLB-16B-X	LED		1	C,D,E,I,J,K
	D641	KLB-16B-X	LED		1	C,D,E,I,J,K
	D642	KLB-16B-X	LED		1	C,D,E,I,J,K
	D643	KLB-16B-X	LED		1	C,D,E,I,J,K
	D644	KLB-16B-X	LED		1	C,D,E,I,J,K
	D645	KLB-16B-X	LED		1	C,D,E,I,J,K
	D651	LWA6SG/JML/-X	LED		1	C,D,E,I,J,K
	D653	KLB-16B-X	LED		1	C,D,E,I,J,K
	D654	KLB-16B-X	LED		1	C,D,E,I,J,K
	D660	DZ2J051/M/-X	Z DIODE		1	C,D,E,I,J,K
	D691	DZ2J051/M/-X	Z DIODE		1	C,D,E,I,J,K
	D692	DZ2J051/M/-X	Z DIODE		1	C,D,E,I,J,K
	C661	NCB31HK-103X	C CAPACITOR	0.01uF 50V K	1	C,D,E,I,J,K
	C662	NCB31CK-104X	C CAPACITOR	0.1uF 16V	1	C,D,E,I,J,K
	C663	NCB31CK-104X	C CAPACITOR	0.1uF 16V	1	C,D,E,I,J,K
	C664	NCB31CK-104X	C CAPACITOR	0.1uF 16V	1	C,D,E,I,J,K
	C665	NCB31CK-105X	C CAPACITOR	1uF 16V K	1	C,D,E,I,J,K
	C671	NCB31HK-472X	C CAPACITOR	4700pF 50V K	1	C,D,E,I,J,K
	C672	NCB31HK-472X	C CAPACITOR	4700pF 50V K	1	C,D,E,I,J,K
	C682	NCB31CK-104X	C CAPACITOR	0.1uF 16V	1	C,D,E,I,J,K
	C691	NCJ11EK-106X-R	C CAPACITOR	10uF 25V	1	C,D,E,I,J,K
	R601	NRSA63J-821X	MG RESISTOR	820Ω 1/16W J	1	C,D,E,I,J,K
	R602	NRSA63J-821X	MG RESISTOR	820Ω 1/16W J	1	C,D,E,I,J,K
	R603	NRSA63J-122X	MG RESISTOR	1.2kΩ 1/16W J	1	C,D,E,I,J,K
	R604	NRSA63J-182X	MG RESISTOR	1.8kΩ 1/16W J	1	C,D,E,I,J,K
	R605	NRSA63J-272X	MG RESISTOR	2.7kΩ 1/16W J	1	C,D,E,I,J,K
	R607	NRSA63J-821X	MG RESISTOR	820Ω 1/16W J	1	C,D,E,I,J,K
	R608	NRSA63J-821X	MG RESISTOR	820Ω 1/16W J	1	C,D,E,I,J,K
	R609	NRSA63J-122X	MG RESISTOR	1.2kΩ 1/16W J	1	C,D,E,I,J,K
	R610	NRSA63J-182X	MG RESISTOR	1.8kΩ 1/16W J	1	C,D,E,I,J,K
	R611	NRSA63J-272X	MG RESISTOR	2.7kΩ 1/16W J	1	C,D,E,I,J,K
	R612	NRS181J-0R0X	MG RESISTOR	0Ω 1/8W J	1	C,D,E,I,J,K
	R617	NRSA63J-392X	MG RESISTOR	3.9kΩ 1/16W J	1	C,D,E,I,J,K
	R618	NRSA63J-103X	MG RESISTOR	10kΩ 1/16W J	1	C,D,E,I,J,K
	R630	NRS181J-221X	MG RESISTOR	220Ω 1/8W J	1	C,D,E,I,J,K
	R636	NRS181J-561X	MG RESISTOR	560Ω 1/8W J	1	C,D,E,I,J,K
	R638	NRS181J-561X	MG RESISTOR	560Ω 1/8W J	1	C,D,E,I,J,K
	R642	NRS181J-561X	MG RESISTOR	560Ω 1/8W J	1	C,D,E,I,J,K
	R644	NRS181J-561X	MG RESISTOR	560Ω 1/8W J	1	C,D,E,I,J,K
	R646	NRS181J-621X	MG RESISTOR	620Ω 1/8W J	1	C,D,E,I,J,K
	R647	NRS181J-621X	MG RESISTOR	620Ω 1/8W J	1	C,D,E,I,J,K
	R649	NRSA63J-272X	MG RESISTOR	2.7kΩ 1/16W J	1	C,D,E,I,J,K
	R650	NRSA63J-272X	MG RESISTOR	2.7kΩ 1/16W J	1	C,D,E,I,J,K
	R652	NRSA63J-272X	MG RESISTOR	2.7kΩ 1/16W J	1	C,D,E,I,J,K
	R654	NRS181J-102X	MG RESISTOR	1kΩ 1/8W J	1	C,D,E,I,J,K
	R656	NRS181J-561X	MG RESISTOR	560Ω 1/8W J	1	C,D,E,I,J,K
	R658	NRS181J-102X	MG RESISTOR	1kΩ 1/8W J	1	C,D,E,I,J,K
	R660	NRS181J-331X	MG RESISTOR	330Ω 1/8W J	1	C,D,E,I,J,K
	R662	NRSA63J-102X	MG RESISTOR	1kΩ 1/16W J	1	C,D,E,I,J,K
	R663	NRSA63J-102X	MG RESISTOR	1kΩ 1/16W J	1	C,D,E,I,J,K
	R664	NRSA63J-102X	MG RESISTOR	1kΩ 1/16W J	1	C,D,E,I,J,K
	R665	NRSA63J-101X	MG RESISTOR	100Ω 1/16W J	1	C,D,E,I,J,K
	R666	NRSA63J-101X	MG RESISTOR	100Ω 1/16W J	1	C,D,E,I,J,K
	R667	NRSA63J-101X	MG RESISTOR	100Ω 1/16W J	1	C,D,E,I,J,K
	R668	NRS181J-102X	MG RESISTOR	1kΩ 1/8W J	1	C,D,E,I,J,K
	R675	NRSA63J-0R0X	MG RESISTOR	0Ω 1/10W J	1	C,D,E,I,J,K
	R676	NRS181J-100X	MG RESISTOR	10Ω 1/8W J	1	C,D,E,I,J,K
	R681	NRSA63J-471X	MG RESISTOR	470Ω 1/16W J	1	C,D,E,I,J,K
	R682	NRSA63J-103X	MG RESISTOR	10kΩ 1/16W J	1	C,D,E,I,J,K
	R683	NRSA63J-392X	MG RESISTOR	3.9kΩ 1/16W J	1	C,D,E,I,J,K
	R691	NRS181J-103X	MG RESISTOR	10kΩ 1/8W J	1	C,D,E,I,J,K
	L670	NQR0022-005X	FERRITE BEADS		1	C,D,E,I,J,K
	L673	NQR0022-005X	FERRITE BEADS		1	C,D,E,I,J,K
	L674	NQR0022-005X	FERRITE BEADS		1	C,D,E,I,J,K
	B601	NRSA63J-0R0X	MG RESISTOR	0Ω 1/10W J	1	C,D,E,I,J,K
	B602	NRSA63J-0R0X	MG RESISTOR	0Ω 1/10W J	1	C,D,E,I,J,K
	B603	NRSA63J-0R0X	MG RESISTOR	0Ω 1/10W J	1	C,D,E,I,J,K
	B604	NRSA63J-0R0X	MG RESISTOR	0Ω 1/10W J	1	C,D,E,I,J,K
	B608	NRSA63J-0R0X	MG RESISTOR	0Ω 1/10W J	1	C,D,E,I,J,K
	B610	NRSA63J-0R0X	MG RESISTOR	0Ω 1/10W J	1	C,D,E,I,J,K
	B611	NRSA63J-0R0X	MG RESISTOR	0Ω 1/10W J	1	C,D,E,I,J,K
	B613	NRSA63J-0R0X	MG RESISTOR	0Ω 1/10W J	1	C,D,E,I,J,K
	CN601	QGZ1102K2-20X	CONNECTOR	(1-20)	1	C,D,E,I,J,K
	CN603	QNZ1057-001	USB CONNECTOR		1	C,D,E,I,J,K
	J601	QNS0298-001	3.5 JACK		1	C,D,E,I,J,K
	JS601	QSW1231-002	ROTARY ENCODER		1	C,D,E,I,J,K
	LF691	NQR0682-001X	CHOKE COIL		1	C,D,E,I,J,K

MODEL	MARK	MODEL	MARK	MODEL	MARK	MODEL	MARK
KD-A725J	A	KD-R720J	B	KD-R721BTE	C	KD-R721BTEU	D
KD-R721BTEY	E	KD-R726U	F	KD-R726UH	G	KD-R726UT	H
KD-R727BTEE	I	KD-R728BTJ	J	KD-R729BTUR	K	KD-S48J	L
KD-S88BTJ	M						

Safe	Symbol No.	Parts No.	Parts Name	Description	QTY	Local
	S601	NSW0326-001X	TACT SWITCH		1	C,D,E,I,J,K
	S602	NSW0326-001X	TACT SWITCH		1	C,D,E,I,J,K
	S603	NSW0326-001X	TACT SWITCH		1	C,D,E,I,J,K
	S604	NSW0326-001X	TACT SWITCH		1	C,D,E,I,J,K
	S605	NSW0326-001X	TACT SWITCH		1	C,D,E,I,J,K
	S606	NSW0326-001X	TACT SWITCH		1	C,D,E,I,J,K
	S607	NSW0326-001X	TACT SWITCH		1	C,D,E,I,J,K
	S608	NSW0326-001X	TACT SWITCH		1	C,D,E,I,J,K
	S609	NSW0326-001X	TACT SWITCH		1	C,D,E,I,J,K
	S610	NSW0326-001X	TACT SWITCH		1	C,D,E,I,J,K
	S611	NSW0326-001X	TACT SWITCH		1	C,D,E,I,J,K
USB board <04>						
	IC401	TCC8600	IC		1	
	IC402	R1EX24512ASAS-X	IC		1	
	IC402	or M24512-WMN6-X	IC		1	
	IC441	JVM499D	PROGRAMMED IC		1	A,B,C,D,E,F,G,H,I,J
	IC441	JVM499H	PROGRAMMED IC		1	K,L,M
	IC442	M12L1281687TG2L	IC(DIGITAL)		1	
	IC471	74LVC1G3157GW-X	IC		1	
	IC481	MFI341S2162-X	IC		1	
	IC491	NJM2878F4-18-X	IC		1	
	IC601	PCM1780-X	IC		1	
	Q401	RT1N441C-X	TRANSISTOR		1	
	D601	RKZ5.1B2KG-X	SB DIODE		1	
	C401	NDC31HJ-561X	C CAPACITOR	560pF 50V J	1	
	C402	NDC31HJ-561X	C CAPACITOR	560pF 50V J	1	
	C403	NDC31HJ-561X	C CAPACITOR	560pF 50V J	1	
	C404	NDC31HJ-561X	C CAPACITOR	560pF 50V J	1	
	C405	NDC31HJ-561X	C CAPACITOR	560pF 50V J	1	
	C406	NDCA1HJ-471W	C CAPACITOR	470pF 50V J	1	
	C407	NDC31HJ-270X	C CAPACITOR	27pF 50V J	1	
	C408	NDC31HJ-270X	C CAPACITOR	27pF 50V J	1	
	C409	NCBA1CK-104W	C CAPACITOR	0.1uF 16V K	1	
	C410	NDC31HJ-561X	C CAPACITOR	560pF 50V J	1	
	C414	NCBA1CK-104W	C CAPACITOR	0.1uF 16V K	1	
	C415	NCBA1HK-122W	C CAPACITOR	1200pF 50V K	1	
	C416	NCJ30JM-106X-A	C CAPACITOR	10uF 6.3V M	1	
	C417	NDCA1HJ-331W	C CAPACITOR	330pF 50V J	1	
	C418	NCB31CK-154X	C CAPACITOR	0.15uF 16V K	1	
	C419	NDC31HJ-561X	C CAPACITOR	560pF 50V J	1	
	C420	NDC31HJ-561X	C CAPACITOR	560pF 50V J	1	
	C421	NCBA1CK-104W	C CAPACITOR	0.1uF 16V K	1	
	C422	NCBA1CK-104W	C CAPACITOR	0.1uF 16V K	1	
	C423	NCBA1CK-104W	C CAPACITOR	0.1uF 16V K	1	
	C424	NCBA1CK-104W	C CAPACITOR	0.1uF 16V K	1	
	C425	NCB31CK-104X	C CAPACITOR	0.1uF 16V	1	
	C426	NDCA1HJ-200W	C CAPACITOR	20pF 50V J	1	
	C430	NQR0450-001X	EMI FILTER	0.022uF 50V M	1	
	C441	NCBA1CK-104W	C CAPACITOR	0.1uF 16V K	1	
	C442	NBE20JM-226X	TA E CAPACITOR	22uF 6.3V M	1	
	C443	NBE20JM-226X	TA E CAPACITOR	22uF 6.3V M	1	
	C444	NDC31HJ-561X	C CAPACITOR	560pF 50V J	1	
	C445	NDC31HJ-561X	C CAPACITOR	560pF 50V J	1	
	C446	NDC31HJ-561X	C CAPACITOR	560pF 50V J	1	
	C447	NDC31HJ-561X	C CAPACITOR	560pF 50V J	1	
	C448	NDC31HJ-561X	C CAPACITOR	560pF 50V J	1	
	C449	NDC31HJ-561X	C CAPACITOR	560pF 50V J	1	
	C450	NDC31HJ-561X	C CAPACITOR	560pF 50V J	1	
	C451	NDCA1HJ-471W	C CAPACITOR	470pF 50V J	1	
	C452	NDCA1HJ-471W	C CAPACITOR	470pF 50V J	1	
	C453	NDCA1HJ-471W	C CAPACITOR	470pF 50V J	1	
	C454	NRSA6AJ-153W	MG RESISTOR	15kΩ 1/16W J	1	
	C455	NRSA6AJ-153W	MG RESISTOR	15kΩ 1/16W J	1	
	C471	NCBA1CK-104W	C CAPACITOR	0.1uF 16V K	1	
	C481	NCB31CK-104X	C CAPACITOR	0.1uF 16V	1	
	C482	NCBA1CK-104W	C CAPACITOR	0.1uF 16V K	1	
	C491	NBE41AM-476X	TA E CAPACITOR	47uF 10V M	1	
	C492	NCB20JK-106X	C CAPACITOR	10uF 6.3V K	1	
	C493	NCB31CK-104X	C CAPACITOR	0.1uF 16V	1	
	C494	NCBA1CK-104W	C CAPACITOR	0.1uF 16V K	1	
	C495	NBE20JM-226X	TA E CAPACITOR	22uF 6.3V M	1	
	C497	NDC31HJ-331X	C CAPACITOR	330pF 50V J	1	
	C601	NBE41AM-476X	TA E CAPACITOR	47uF 10V M	1	
	C602	NCBA1CK-123W	C CAPACITOR	0.012uF 16V K	1	
	C603	NCBA1CK-104W	C CAPACITOR	0.1uF 16V K	1	
	C604	NBE41AM-476X	TA E CAPACITOR	47uF 10V M	1	
	C605	NDCA1HJ-101W	C CAPACITOR	100pF 50V J	1	
	C606	NDCA1HJ-101W	C CAPACITOR	100pF 50V J	1	
	R401	NRSA6AJ-470W	MG RESISTOR	47Ω 1/16W J	1	
	R402	NRSA6AJ-470W	MG RESISTOR	47Ω 1/16W J	1	
	R403	NRSA6AJ-470W	MG RESISTOR	47Ω 1/16W J	1	
	R404	NRSA6AJ-151W	MG RESISTOR	150Ω 1/16W J	1	
	R405	NRSA6AJ-105W	MG RESISTOR	1MΩ 1/16W J	1	
	R406	NQR0022-005X	FERRITE BEADS		1	
	R407	NQR0286-007X	FERRITE BEADS		1	
	R408	NRSA6AJ-223W	MG RESISTOR	22kΩ 1/16W J	1	
	R409	NRSA6AJ-223W	MG RESISTOR	22kΩ 1/16W J	1	
	R410	NRSA6AJ-472W	MG RESISTOR	4.7kΩ 1/16W J	1	

MODEL	MARK	MODEL	MARK	MODEL	MARK	MODEL	MARK
KD-A725J	A	KD-R720J	B	KD-R721BTE	C	KD-R721BTEU	D
KD-R721BTEY	E	KD-R726U	F	KD-R726UH	G	KD-R726UT	H
KD-R727BTEE	I	KD-R728BTJ	J	KD-R729BTUR	K	KD-S48J	L
KD-S88BTJ	M						

Safe	Symbol No.	Parts No.	Parts Name	Description	QTY	Local
	R411	NRSA6AJ-330W	MG RESISTOR	33Ω 1/16W J	1	
	R412	NRSA6AJ-330W	MG RESISTOR	33Ω 1/16W J	1	
	R413	NRSA6AJ-330W	MG RESISTOR	33Ω 1/16W J	1	
	R414	NRSA6AJ-330W	MG RESISTOR	33Ω 1/16W J	1	
	R415	NRSA6AJ-472W	MG RESISTOR	4.7kΩ 1/16W J	1	
	R416	NRSA6AJ-271W	MG RESISTOR	270Ω 1/16W J	1	
	R417	NRSA6AJ-271W	MG RESISTOR	270Ω 1/16W J	1	
	R418	NRSA6AJ-472W	MG RESISTOR	4.7kΩ 1/16W J	1	
	R419	NRSA6AJ-472W	MG RESISTOR	4.7kΩ 1/16W J	1	
	R420	NRSA6AJ-472W	MG RESISTOR	4.7kΩ 1/16W J	1	
	R421	NRSA6AJ-222W	MG RESISTOR	2.2kΩ 1/16W J	1	
	R422	NRSA6AJ-222W	MG RESISTOR	2.2kΩ 1/16W J	1	
	R423	NRSA63J-472X	MG RESISTOR	4.7kΩ 1/16W J	1	
	R425	NRSA6AJ-102W	MG RESISTOR	1kΩ 1/16W J	1	
	R426	NRSA6AJ-472W	MG RESISTOR	4.7kΩ 1/16W J	1	
	R427	NRSA6AJ-472W	MG RESISTOR	4.7kΩ 1/16W J	1	
	R428	NRSA63J-101X	MG RESISTOR	100Ω 1/16W J	1	
	R429	NRSA6AJ-472W	MG RESISTOR	4.7kΩ 1/16W J	1	
	R430	NRSA6AJ-101W	MG RESISTOR	100Ω 1/16W J	1	
	R431	NRSA6AJ-101W	MG RESISTOR	100Ω 1/16W J	1	
	R432	NRSA6AJ-102W	MG RESISTOR	1kΩ 1/16W J	1	
	R435	NRSA63J-103X	MG RESISTOR	10kΩ 1/16W J	1	
	R436	NRSA6AJ-103W	MG RESISTOR	10kΩ 1/16W J	1	
	R441	NRSA6AJ-0R0W	MG RESISTOR	0Ω 1/16W J	1	
	R443	NRSA63J-472X	MG RESISTOR	4.7kΩ 1/16W J	1	
	R444	NRSA6AJ-473W	MG RESISTOR	47kΩ 1/16W J	1	
	R445	NRSA63J-472X	MG RESISTOR	4.7kΩ 1/16W J	1	
	R446	NRSA63J-472X	MG RESISTOR	4.7kΩ 1/16W J	1	
	R451	NQR0286-007X	FERRITE BEADS		1	
	R452	NQR0286-007X	FERRITE BEADS		1	
	R453	NQR0286-007X	FERRITE BEADS		1	
	R454	NQR0286-007X	FERRITE BEADS		1	
	R455	NRSA6AJ-330W	MG RESISTOR	33Ω 1/16W J	1	
	R456	NRSA6AJ-330W	MG RESISTOR	33Ω 1/16W J	1	
	R457	NRSA6AJ-330W	MG RESISTOR	33Ω 1/16W J	1	
	R458	NRSA6AJ-0R0W	MG RESISTOR	0Ω 1/16W J	1	
	R462	NRSA6AJ-0R0W	MG RESISTOR	0Ω 1/16W J	1	
	R463	NRSA6AJ-0R0W	MG RESISTOR	0Ω 1/16W J	1	
	R481	NRSA6AJ-473W	MG RESISTOR	47kΩ 1/16W J	1	
	R521	NQR0286-007X	FERRITE BEADS		1	
	R601	NQR0286-007X	FERRITE BEADS		1	
	R602	NQR0286-007X	FERRITE BEADS		1	
	R603	NQR0286-007X	FERRITE BEADS		1	
	R604	NRSA6AJ-220W	MG RESISTOR	22Ω 1/16W J	1	
	R605	NRSA6AJ-220W	MG RESISTOR	22Ω 1/16W J	1	
	R606	NRSA6AJ-220W	MG RESISTOR	22Ω 1/16W J	1	
	R607	NRSA63J-220X	MG RESISTOR	22Ω 1/16W J	1	
	R608	NRS181J-181X	MG RESISTOR	180Ω 1/8W J	1	
	R609	NRS181J-181X	MG RESISTOR	180Ω 1/8W J	1	
	L401	NQL093K-R12X	P COIL	0.12uH K	1	
	L402	NQL093K-R12X	P COIL	0.12uH K	1	
	L403	NRSA02J-0R0X	MG RESISTOR	0Ω 1/10W J	1	
	L404	NQR0022-005X	FERRITE BEADS		1	
	L405	NQR0022-005X	FERRITE BEADS		1	
	L406	NRSA63J-151X	MG RESISTOR	150Ω 1/16W J	1	
	L407	NQR0022-005X	FERRITE BEADS		1	
	L491	NQL79GM-4R7X	COIL	4.7uH M	1	
	L601	NQL79GM-470X	COIL	47uH M	1	
	CN441	QGG2011M1-18X	CONNECTOR	(1-18)	1	
	CN442	QGG2011M1-18X	CONNECTOR	(1-18)	1	
	CN444	QGG2504M5-02	CONNECTOR	(1-2)	1	
	K441	NQR0502-001X	FERRITE BEADS		1	
	K442	NQR0286-007X	FERRITE BEADS		1	
	K443	NQR0286-007X	FERRITE BEADS		1	
	K444	NQR0286-007X	FERRITE BEADS		1	
	K445	NQR0286-007X	FERRITE BEADS		1	
	K446	NQR0286-007X	FERRITE BEADS		1	
	K447	NQR0286-007X	FERRITE BEADS		1	
	K448	NQR0286-007X	FERRITE BEADS		1	
	K449	NQR0286-007X	FERRITE BEADS		1	
	K450	NQR0286-007X	FERRITE BEADS		1	
	K451	NQR0022-005X	FERRITE BEADS		1	
	K452	NQR0286-007X	FERRITE BEADS		1	
	K453	NQR0286-007X	FERRITE BEADS		1	
	LF409	NQR0682-001X	CHOKO COIL		1	
	LF410	NQR0682-001X	CHOKO COIL		1	
	X401	NAX1121-001X	CRYSTAL		1	
	Mecha control board (FLM-HC1-1D) <05>					
	R1	NRSA63J-131X	MG RESISTOR	130Ω 1/16W J	1	
	CN101	QGF1049F1-26X	CONNECTOR	FFC/FPC (1-26)	1	
	CN102	QGF0522F3-15W	CONNECTOR	FFC/FPC (1-15)	1	
	SW1	NSW0291-001X	DETECT SWITCH		1	
	SW2	NSW0291-001X	DETECT SWITCH		1	
	SW3	NSW0291-001X	DETECT SWITCH		1	
	SW4	NSW0291-001X	DETECT SWITCH		1	
	Main board R729BTUR, KD-S48J, KD-S88BTJ<06>					
△	IC1	TEF6614TV1S4-X	IC		1	K,L,M

MODEL	MARK	MODEL	MARK	MODEL	MARK	MODEL	MARK
KD-A725J	A	KD-R720J	B	KD-R721BTE	C	KD-R721BTEU	D
KD-R721BTEY	E	KD-R726U	F	KD-R726UH	G	KD-R726UT	H
KD-R727BTEE	I	KD-R728BTJ	J	KD-R729BTUR	K	KD-S48J	L
KD-S88BTJ	M						

Safe	Symbol No.	Parts No.	Parts Name	Description	QTY	Local
		IC90	NJM4565E-X	IC	1	K,L,M
		IC181	NJW1222V-X	IC	1	K,L,M
△		IC301	TDA7851A	IC	1	K,L,M
△		IC501	LA6565-X	IC	1	K,L,M
		IC541	MN6627553PA	IC	1	K,L,M
		IC581	NJM4565E-X	IC	1	K,L,M
△		IC701	JES207C	IC(MCU)	1	K
△		IC701	JES206C	IC(MCU)	1	L,M
		IC801	74AHCT126PW-X	IC	1	L,M
△		IC901	LV5680P	IC	1	K,L,M
		IC902	XC6213B332NG-X	IC	1	K,L,M
		IC921	XC6223D331PG-X	IC	1	K,L,M
		IC931	BA9743AFV-X	IC	1	K,L,M
		IC932	RT9715EGB-X	IC	1	K,L,M
		IC942	RT9715EGB-X	IC	1	K,L,M
		Q251	INC2002AC1-X	TRANSISTOR	1	K
		Q322	IMX9-W	PAIR TRANSISTOR	1	K,L,M
		Q332	IMX9-W	PAIR TRANSISTOR	1	K,L,M
		Q501	2SB1424/R/-W	TRANSISTOR	1	K,L,M
		Q540	2SA2188/F/-X	TRANSISTOR	1	K,L,M
		Q782	RT1P141C-X	DIGI TRANSISTOR	1	K,L,M
		Q785	RT1N241C-X	DIGI TRANSISTOR	1	K,L,M
		Q786	RT1P241C-X	TRANSISTOR	1	K,L,M
		Q881	RT1N141C-X	DIGI TRANSISTOR	1	K,L,M
		Q931	RSQ030P03-W	MOS FET	1	K,L,M
		Q932	2SC3928A/QR/-X	TRANSISTOR	1	K,L,M
		Q933	ISA1530AC1/QR/X	TRANSISTOR	1	K,L,M
		Q941	RSQ030P03-W	MOS FET	1	K,L,M
		Q942	2SC3928A/QR/-X	TRANSISTOR	1	K,L,M
		Q943	ISA1530AC1/QR/X	TRANSISTOR	1	K,L,M
		Q970	2SC1623A/5-6/-X	TRANSISTOR	1	K,L,M
		Q971	2SC1623A/5-6/-X	TRANSISTOR	1	K,L,M
		D271	DA2J101-X	SI DIODE	1	K
		D321	BAW56-TP-X	SI DIODE	1	K,L,M
		D321	or MC2836-X	DIODE	1	K,L,M
		D331	BAW56-TP-X	SI DIODE	1	K,L,M
		D331	or MC2836-X	DIODE	1	K,L,M
		D477	NAF0029-001X	DIODE	1	K,L,M
		D478	NAF0029-001X	DIODE	1	K,L,M
		D501	GS1J-LTP-X	DIODE	1	K,L,M
		D502	GS1J-LTP-X	DIODE	1	K,L,M
		D710	DZ2J062/M/-X	Z DIODE	1	K,L,M
		D711	DZ2J062/M/-X	Z DIODE	1	K,L,M
		D712	DZ2J062/M/-X	Z DIODE	1	K,L,M
		D713	DZ2J062/M/-X	Z DIODE	1	K,L,M
		D714	DZ2J062/M/-X	Z DIODE	1	K,L,M
		D716	DZ2J056/M/-X	Z DIODE	1	K,L,M
		D782	BAW56-TP-X	SI DIODE	1	K,L,M
		D782	or MC2836-X	DIODE	1	K,L,M
		D783	DA2J101-X	SI DIODE	1	K,L,M
		D785	BAW56-TP-X	SI DIODE	1	K,L,M
		D785	or MC2836-X	DIODE	1	K,L,M
		D786	DA2J101-X	SI DIODE	1	K,L,M
△		D901	1N5401-BPC04	SI DIODE	1	K,L,M
		D931	RB055L-40-X	SB DIODE	1	K,L,M
		D941	RB055L-40-X	SB DIODE	1	K,L,M
		D970	DZ2J068/M/-X	Z DIODE	1	K,L,M
		D971	DZ2J068/M/-X	Z DIODE	1	K,L,M
		D981	MBRX130-TP-X	SB DIODE	1	K,L,M
		D982	MBRX130-TP-X	SB DIODE	1	K,L,M
		C1	NDC31HJ-102X	C CAPACITOR	1	K,L,M
		C2	NDC31HJ-7R0X	C CAPACITOR	1	K,L,M
		C3	NDC31HJ-102X	C CAPACITOR	1	K,L,M
		C4	NCB31CK-224X	C CAPACITOR	1	K,L,M
		C5	NDC31HJ-150X	C CAPACITOR	1	K,L,M
		C6	NDC31HJ-270X	C CAPACITOR	1	K,L,M
		C7	NDC31HJ-471X	C CAPACITOR	1	K,L,M
		C8	NDC31HJ-2R0X	C CAPACITOR	1	K,L,M
		C9	NDC31HJ-5R6X	C CAPACITOR	1	K,L,M
		C10	NCB31AK-105X	C CAPACITOR	1	K,L,M
		C11	NCB31HK-103X	C CAPACITOR	1	K,L,M
		C12	NCB31HK-103X	C CAPACITOR	1	K,L,M
		C13	NCB31AK-105X	C CAPACITOR	1	K,L,M
		C14	NCB31CK-224X	C CAPACITOR	1	K,L,M
		C15	NCB31HK-104X	C CAPACITOR	1	K,L,M
		C16	NCB31HK-103X	C CAPACITOR	1	K,L,M
		C17	NCB31HK-104X	C CAPACITOR	1	K,L,M
		C18	NCB31HK-103X	C CAPACITOR	1	K,L,M
		C19	NCB31HK-104X	C CAPACITOR	1	K,L,M
		C22	NDC31HJ-120X	C CAPACITOR	1	K,L,M
		C23	NCB31CK-104X	C CAPACITOR	1	K,L,M
		C24	NCB31HK-103X	C CAPACITOR	1	K,L,M
		C25	NCB31HK-103X	C CAPACITOR	1	K,L,M
		C26	QEKJ1CM-107Z	E CAPACITOR	1	K,L,M
		C36	NDC31HJ-5R0X	C CAPACITOR	1	K,L,M
		C92	QEKJ1HM-475Z	E CAPACITOR	1	K,L,M
		C93	QEKJ1HM-475Z	E CAPACITOR	1	K,L,M
		C94	NDC31HJ-331X	C CAPACITOR	1	K,L,M

MODEL	MARK	MODEL	MARK	MODEL	MARK	MODEL	MARK
KD-A725J	A	KD-R720J	B	KD-R721BTE	C	KD-R721BTEU	D
KD-R721BTEY	E	KD-R726U	F	KD-R726UH	G	KD-R726UT	H
KD-R727BTEE	I	KD-R728BTJ	J	KD-R729BTUR	K	KD-S48J	L
KD-S88BTJ	M						

Safe	Symbol No.	Parts No.	Parts Name	Description	QTY	Local
	C95	QEKJ1HM-475Z	E CAPACITOR	4.7uF 50V M	1	K,L,M
	C96	QEKJ1CM-226Z	E CAPACITOR	22uF 16V M	1	K,L,M
	C97	NDC31HJ-331X	C CAPACITOR	330pF 50V J	1	K,L,M
	C98	NCB31HK-333X	C CAPACITOR	0.033uF 50V K	1	K,L,M
	C99	NCB31HK-273X	C CAPACITOR	0.027uF 50V K	1	K,L,M
	C100	NCB31HK-273X	C CAPACITOR	0.027uF 50V K	1	K,L,M
	C101	NDC31HJ-220X	C CAPACITOR	22pF 50V J	1	K,L,M
	C102	NCB31HK-333X	C CAPACITOR	0.033uF 50V K	1	K,L,M
	C103	QEKJ1CM-226Z	E CAPACITOR	22uF 16V M	1	K,L,M
	C104	NCB31CK-104X	C CAPACITOR	0.1uF 16V	1	K,L,M
	C161	QEKJ1HM-105Z-S	E CAPACITOR	1uF 50V M	1	K,L,M
	C162	QTE1V67-475Z	E CAPACITOR	4.7uF 35V	1	K,L,M
	C163	NCB31AK-105X	C CAPACITOR	1uF 10V K	1	L,M
	C165	NCB31AK-105X	C CAPACITOR	1uF 10V K	1	K,L,M
	C166	NCB31AK-105X	C CAPACITOR	1uF 10V K	1	K,L,M
	C167	NDC31HJ-681X	C CAPACITOR	680pF 50V J	1	K,L,M
	C168	NCB31CK-224X	C CAPACITOR	0.22uF 16V K	1	K,L,M
	C169	QEKJ1CM-476Z-S	E CAPACITOR	47uF 16V M	1	K,L,M
	C171	QEKJ1HM-105Z-S	E CAPACITOR	1uF 50V M	1	K,L,M
	C172	QTE1V67-475Z	E CAPACITOR	4.7uF 35V	1	K,L,M
	C173	NCB31AK-105X	C CAPACITOR	1uF 10V K	1	L,M
	C175	NCB31AK-105X	C CAPACITOR	1uF 10V K	1	K,L,M
	C176	NCB31AK-474X	C CAPACITOR	0.47uF 10V K	1	K,L,M
	C177	NDC31HJ-681X	C CAPACITOR	680pF 50V J	1	K,L,M
	C179	QEKJ1AM-107Z-S	E CAPACITOR	100uF 10V M	1	K,L,M
	C180	NCB31HK-472X	C CAPACITOR	4700pF 50V K	1	K,L,M
	C181	NCB31HK-104X	C CAPACITOR	0.1uF 50V K	1	K,L,M
	C182	NCB31HK-104X	C CAPACITOR	0.1uF 50V K	1	K,L,M
	C183	NCB31AK-105X	C CAPACITOR	1uF 10V K	1	K,L,M
	C191	NCB31HK-104X	C CAPACITOR	0.1uF 50V K	1	K,L,M
	C192	NCB31HK-104X	C CAPACITOR	0.1uF 50V K	1	K,L,M
	C276	QEKJ1CM-106Z	E CAPACITOR	10uF 16V M	1	K
	C301	QTE1C66-474Z	E CAPACITOR	0.47uF 16V	1	K,L,M
	C302	QTE1C66-474Z	E CAPACITOR	0.47uF 16V	1	K,L,M
	C303	NDC31HJ-560X	C CAPACITOR	56pF 50V J	1	K,L,M
	C304	NDC31HJ-560X	C CAPACITOR	56pF 50V J	1	K,L,M
	C305	NDC31HJ-820X	C CAPACITOR	82pF 50V J	1	K,L,M
	C306	QERF1CM-106Z-E	E CAPACITOR	10uF 16V M	1	K,L,M
	C310	NDC31HJ-820X	C CAPACITOR	82pF 50V J	1	K,L,M
	C311	QTE1C66-474Z	E CAPACITOR	0.47uF 16V	1	K,L,M
	C312	QTE1C66-474Z	E CAPACITOR	0.47uF 16V	1	K,L,M
	C313	NDC31HJ-560X	C CAPACITOR	56pF 50V J	1	K,L,M
	C314	NDC31HJ-560X	C CAPACITOR	56pF 50V J	1	K,L,M
	C315	NCB31AK-105X	C CAPACITOR	1uF 10V K	1	K,L,M
	C316	QEKJ1HM-475Z	E CAPACITOR	4.7uF 50V M	1	K,L,M
	C317	QEKJ1CM-476Z-S	E CAPACITOR	47uF 16V M	1	K,L,M
	C318	NCB21AK-105X-A	C CAPACITOR	1uF 10V K	1	K,L,M
	C319	NCB31HK-223X	C CAPACITOR	0.022uF 50V K	1	K,L,M
	C320	NCB31HK-223X	C CAPACITOR	0.022uF 50V K	1	K,L,M
	C335	NCB21CK-474X-A	C CAPACITOR	0.47uF 16V K	1	K,L,M
	C336	NCB21CK-474X-A	C CAPACITOR	0.47uF 16V K	1	K,L,M
	C337	NCB21CK-474X-A	C CAPACITOR	0.47uF 16V K	1	K,L,M
	C338	NCB21CK-474X-A	C CAPACITOR	0.47uF 16V K	1	K,L,M
	C365	QEKJ1EM-106Z	E CAPACITOR	10uF 25V M	1	K,L,M
	C366	QEKJ1EM-106Z	E CAPACITOR	10uF 25V M	1	K,L,M
	C385	QEKJ1EM-106Z	E CAPACITOR	10uF 25V M	1	K,L,M
	C386	QEKJ1EM-106Z	E CAPACITOR	10uF 25V M	1	K,L,M
	C477	NDC31HJ-220X	C CAPACITOR	22pF 50V J	1	K,L,M
	C478	NDC31HJ-220X	C CAPACITOR	22pF 50V J	1	K,L,M
	C501	NCB31HK-222X	C CAPACITOR	2200pF 50V K	1	K,L,M
	C503	NCB31HK-562X	C CAPACITOR	5600pF 50V K	1	K,L,M
	C505	NCB31HK-222X	C CAPACITOR	2200pF 50V K	1	K,L,M
	C507	NCB31HK-682X	C CAPACITOR	6800pF 50V K	1	K,L,M
	C509	NDC31HJ-680X	C CAPACITOR	68pF 50V J	1	K,L,M
	C511	QEKJ1CM-107Z	E CAPACITOR	100uF 16V M	1	K,L,M
	C512	NCB31CK-104X	C CAPACITOR	0.1uF 16V	1	K,L,M
	C513	QEKJ1CM-476Z	E CAPACITOR	47uF 16V M	1	K,L,M
	C515	QEKJ0JM-107Z	E CAPACITOR	100uF 6.3V M	1	K,L,M
	C516	NCB31CK-104X	C CAPACITOR	0.1uF 16V	1	K,L,M
	C517	NCB31HK-102X	C CAPACITOR	1000pF 50V K	1	K,L,M
	C519	NDC31HJ-471X	C CAPACITOR	470pF 50V J	1	K,L,M
	C520	NDC31HJ-471X	C CAPACITOR	470pF 50V J	1	K,L,M
	C538	NDC31HJ-820X	C CAPACITOR	82pF 50V J	1	K,L,M
	C541	QEKJ1EM-106Z	E CAPACITOR	10uF 25V M	1	K,L,M
	C542	NCB31CK-104X	C CAPACITOR	0.1uF 16V	1	K,L,M
	C543	QEKJ1EM-106Z	E CAPACITOR	10uF 25V M	1	K,L,M
	C544	NCB31CK-104X	C CAPACITOR	0.1uF 16V	1	K,L,M
	C545	QEKJ0JM-476Z	E CAPACITOR	47uF 6.3V M	1	K,L,M
	C546	NCB31CK-104X	C CAPACITOR	0.1uF 16V	1	K,L,M
	C547	NCB31CK-154X	C CAPACITOR	0.15uF 16V K	1	K,L,M
	C548	NDC31HJ-561X	C CAPACITOR	560pF 50V J	1	K,L,M
	C549	NCB31HK-272X	C CAPACITOR	2700pF 50V K	1	K,L,M
	C550	QEKJ0JM-476Z	E CAPACITOR	47uF 6.3V M	1	K,L,M
	C551	NCB31CK-104X	C CAPACITOR	0.1uF 16V	1	K,L,M
	C552	NCB31HK-223X	C CAPACITOR	0.022uF 50V K	1	K,L,M
	C553	NCB31HK-332X	C CAPACITOR	3300pF 50V K	1	K,L,M
	C554	NCB31AK-334X	C CAPACITOR	0.33uF 10V K	1	K,L,M
	C555	NCB21CK-475X	C CAPACITOR	4.7uF 16V K	1	K,L,M

MODEL	MARK	MODEL	MARK	MODEL	MARK	MODEL	MARK
KD-A725J	A	KD-R720J	B	KD-R721BTE	C	KD-R721BTEU	D
KD-R721BTEY	E	KD-R726U	F	KD-R726UH	G	KD-R726UT	H
KD-R727BTEE	I	KD-R728BTJ	J	KD-R729BTUR	K	KD-S48J	L
KD-S88BTJ	M						

Safe	Symbol No.	Parts No.	Parts Name	Description	QTY	Local
	C556	NCB31CK-104X	C CAPACITOR	0.1uF 16V	1	K,L,M
	C557	NDC31HJ-681X	C CAPACITOR	680pF 50V J	1	K,L,M
	C558	QEKJ0JM-476Z	E CAPACITOR	47uF 6.3V M	1	K,L,M
	C559	QEKJ0JM-476Z	E CAPACITOR	47uF 6.3V M	1	K,L,M
	C560	NCB31CK-104X	C CAPACITOR	0.1uF 16V	1	K,L,M
	C561	NCB31CK-104X	C CAPACITOR	0.1uF 16V	1	K,L,M
	C562	NCB31CK-104X	C CAPACITOR	0.1uF 16V	1	K,L,M
	C563	NCB31HK-153X	C CAPACITOR	0.015uF 50V K	1	K,L,M
	C564	NCB31CK-104X	C CAPACITOR	0.1uF 16V	1	K,L,M
	C565	NCB31HK-102X	C CAPACITOR	1000pF 50V K	1	K,L,M
	C566	NCB31CK-823X	C CAPACITOR	0.082uF 16V K	1	K,L,M
	C568	NCB31HK-102X	C CAPACITOR	1000pF 50V K	1	K,L,M
	C569	NCB31AK-334X	C CAPACITOR	0.33uF 10V K	1	K,L,M
	C570	NCB31CK-104X	C CAPACITOR	0.1uF 16V	1	K,L,M
	C571	QEKJ1EM-106Z	E CAPACITOR	10uF 25V M	1	K,L,M
	C573	NCB31CK-104X	C CAPACITOR	0.1uF 16V	1	K,L,M
	C574	NCB31CK-104X	C CAPACITOR	0.1uF 16V	1	K,L,M
	C575	NCB31CK-104X	C CAPACITOR	0.1uF 16V	1	K,L,M
	C576	QEKJ1EM-106Z	E CAPACITOR	10uF 25V M	1	K,L,M
	C577	NCB31CK-104X	C CAPACITOR	0.1uF 16V	1	K,L,M
	C578	NCB31CK-104X	C CAPACITOR	0.1uF 16V	1	K,L,M
	C579	QEKJ1EM-106Z	E CAPACITOR	10uF 25V M	1	K,L,M
	C583	NDC31HJ-821X	C CAPACITOR	820pF 50V J	1	K,L,M
	C584	NDC31HJ-821X	C CAPACITOR	820pF 50V J	1	K,L,M
	C585	QEKJ1HM-475Z-E	E CAPACITOR	4.7uF 50V M	1	K,L,M
	C586	QEKJ1HM-475Z-E	E CAPACITOR	4.7uF 50V M	1	K,L,M
	C587	NDC31HJ-151X	C CAPACITOR	150pF 50V J	1	K,L,M
	C588	NDC31HJ-151X	C CAPACITOR	150pF 50V J	1	K,L,M
	C590	QEKJ0JM-476Z-S	E CAPACITOR	47uF 6.3V M	1	K,L,M
	C591	QEKJ1AM-107Z-S	E CAPACITOR	100uF 10V M	1	K,L,M
	C592	NCB31CK-104X	C CAPACITOR	0.1uF 16V	1	K,L,M
	C701	NDC31HJ-220X	C CAPACITOR	22pF 50V J	1	K,L,M
	C702	NDC31HJ-270X	C CAPACITOR	27pF 50V J	1	K,L,M
	C705	NDC31HJ-220X	C CAPACITOR	22pF 50V J	1	K,L,M
	C706	NDC31HJ-220X	C CAPACITOR	22pF 50V J	1	K,L,M
	C709	NCB31HK-104X	C CAPACITOR	0.1uF 50V K	1	K,L,M
	C710	NCB31HK-104X	C CAPACITOR	0.1uF 50V K	1	K,L,M
	C711	NDC31HJ-470X	C CAPACITOR	47pF 50V J	1	K,L,M
	C713	NDC31HJ-470X	C CAPACITOR	47pF 50V J	1	K,L,M
	C714	NDC31HJ-101X	C CAPACITOR	100pF 50V J	1	K,L,M
	C715	NCB31CK-104X	C CAPACITOR	0.1uF 16V	1	K,L,M
	C716	NCB31AK-105X	C CAPACITOR	1uF 10V K	1	K,L,M
	C717	NCB31CK-473X	C CAPACITOR	0.047uF 16V K	1	K,L,M
	C718	NCB31HK-104X	C CAPACITOR	0.1uF 50V K	1	K,L,M
	C721	NCB31CK-473X	C CAPACITOR	0.047uF 16V K	1	K,L,M
	C722	NCB31HK-103X	C CAPACITOR	0.01uF 50V K	1	K,L,M
	C723	QEKJ0JM-337Z	E CAPACITOR	330uF 6.3V M	1	K,L,M
	C724	NDC31HJ-101X	C CAPACITOR	100pF 50V J	1	K,L,M
	C725	NCB10JK-106X-A	C CAPACITOR	10uF 6.3V K	1	K,L,M
	C727	NCB31CK-473X	C CAPACITOR	0.047uF 16V K	1	K,L,M
	C784	NCB31AK-105X	C CAPACITOR	1uF 10V K	1	K,L,M
	C785	NCB31AK-105X	C CAPACITOR	1uF 10V K	1	K,L,M
	C801	NCB31CK-473X	C CAPACITOR	0.047uF 16V K	1	L,M
	C881	QEKJ1CM-226Z	E CAPACITOR	22uF 16V M	1	K,L,M
	C901	QE20937-278	E CAPACITOR	2700uF	1	K,L,M
	C902	QEKJ1HM-225Z	E CAPACITOR	2.2uF 50V M	1	K,L,M
	C903	QEKJ1CM-476Z	E CAPACITOR	47uF 16V M	1	K,L,M
	C904	QEKJ1CM-107Z	E CAPACITOR	100uF 16V M	1	K,L,M
	C905	QEKJ1CM-476Z	E CAPACITOR	47uF 16V M	1	K,L,M
	C906	NCB31HK-104X	C CAPACITOR	0.1uF 50V K	1	K,L,M
	C907	QEKJ1CM-107Z	E CAPACITOR	100uF 16V M	1	K,L,M
	C908	QERF1AM-227Z	E CAPACITOR	220uF 10V M	1	K,L,M
	C909	QERF0JM-337Z	E CAPACITOR	330uF 6.3V M	1	K,L,M
	C910	QEKJ1EM-106Z	E CAPACITOR	10uF 25V M	1	K,L,M
	C911	NCB31HK-104X	C CAPACITOR	0.1uF 50V K	1	K,L,M
	C915	NCB31HK-104X	C CAPACITOR	0.1uF 50V K	1	K,L,M
	C917	QEKJ0JM-227Z	E CAPACITOR	220uF 6.3V M	1	K,L,M
	C918	NCB31HK-103X	C CAPACITOR	0.01uF 50V K	1	K,L,M
	C921	NCB31AK-105X	C CAPACITOR	1uF 10V K	1	K,L,M
	C922	QEKJ0JM-107Z	E CAPACITOR	100uF 6.3V M	1	K,L,M
	C925	NCJ30JM-106X-A	C CAPACITOR	10uF 6.3V M	1	K,L,M
	C930	NCB31EK-104X	C CAPACITOR	0.1uF 25V K	1	K,L,M
	C931	NCB10JK-106X-A	C CAPACITOR	10uF 6.3V K	1	K,L,M
	C932	NCB10JK-106X-A	C CAPACITOR	10uF 6.3V K	1	K,L,M
	C933	NCB31HK-332X	C CAPACITOR	3300pF 50V K	1	K,L,M
	C935	NCB31HK-332X	C CAPACITOR	3300pF 50V K	1	K,L,M
	C936	NCB31AK-105X	C CAPACITOR	1uF 10V K	1	K,L,M
	C937	NCB31CK-104X	C CAPACITOR	0.1uF 16V	1	K,L,M
	C938	NCJ11EK-106X-R	C CAPACITOR	10uF 25V	1	K,L,M
	C939	QE20850-157Z	E CAPACITOR	150uF	1	K,L,M
	C941	NCB10JK-106X-A	C CAPACITOR	10uF 6.3V K	1	K,L,M
	C942	NCB10JK-106X-A	C CAPACITOR	10uF 6.3V K	1	K,L,M
	C943	NCB31HK-332X	C CAPACITOR	3300pF 50V K	1	K,L,M
	C945	NCB31HK-332X	C CAPACITOR	3300pF 50V K	1	K,L,M
	C946	NCB31AK-105X	C CAPACITOR	1uF 10V K	1	K,L,M
	C947	NCB31HK-104X	C CAPACITOR	0.1uF 50V K	1	K,L,M
	C948	NCJ11EK-106X-R	C CAPACITOR	10uF 25V	1	K,L,M

MODEL	MARK	MODEL	MARK	MODEL	MARK	MODEL	MARK
KD-A725J	A	KD-R720J	B	KD-R721BTE	C	KD-R721BTEU	D
KD-R721BTEY	E	KD-R726U	F	KD-R726UH	G	KD-R726UT	H
KD-R727BTEE	I	KD-R728BTJ	J	KD-R729BTUR	K	KD-S48J	L
KD-S88BTJ	M						

Safe	Symbol No.	Parts No.	Parts Name	Description	QTY	Local
	C949	QEZ0850-157Z	E CAPACITOR	150uF	1	K,L,M
	C950	NDC31HJ-101X	C CAPACITOR	100pF 50V J	1	K,L,M
	C952	NCJ11EK-106X-R	C CAPACITOR	10uF 25V	1	K,L,M
	C953	NDC31HJ-101X	C CAPACITOR	100pF 50V J	1	K,L,M
	C955	NDC31HJ-101X	C CAPACITOR	100pF 50V J	1	K,L,M
	C956	NDC31HJ-471X	C CAPACITOR	470pF 50V J	1	K,L,M
	C982	NCB31HK-104X	C CAPACITOR	0.1uF 50V K	1	K,L,M
	C991	NRSA63J-0R0X	MG RESISTOR	0Ω 1/10W J	1	K,L,M
	R1	NRSA63J-684X	MG RESISTOR	680kΩ 1/16W J	1	K,L,M
	R2	NRSA63J-684X	MG RESISTOR	680kΩ 1/16W J	1	K,L,M
	R4	NRSA63J-472X	MG RESISTOR	4.7kΩ 1/16W J	1	K,L,M
	R5	NRSA02J-470X	MG RESISTOR	47Ω 1/10W J	1	K,L,M
	R6	NRSA63J-221X	MG RESISTOR	220Ω 1/16W J	1	K,L,M
	R7	NRSA63J-221X	MG RESISTOR	220Ω 1/16W J	1	K,L,M
	R8	NRSA02J-470X	MG RESISTOR	47Ω 1/10W J	1	K,L,M
	R11	NRS181J-0R0X	MG RESISTOR	0Ω 1/8W J	1	K,L,M
	R14	NRSA63J-332X	MG RESISTOR	3.3kΩ 1/16W J	1	K,L,M
	R15	NRSA63J-332X	MG RESISTOR	3.3kΩ 1/16W J	1	K,L,M
	R90	NRSA63J-103X	MG RESISTOR	10kΩ 1/16W J	1	K,L,M
	R92	NRSA63J-822X	MG RESISTOR	8.2kΩ 1/16W J	1	K,L,M
	R93	NRSA63J-122X	MG RESISTOR	1.2kΩ 1/16W J	1	K,L,M
	R94	NRSA63J-122X	MG RESISTOR	1.2kΩ 1/16W J	1	K,L,M
	R95	NRSA63J-124X	MG RESISTOR	120kΩ 1/16W J	1	K,L,M
	R96	NRSA63J-333X	MG RESISTOR	33kΩ 1/16W J	1	K,L,M
	R97	NRSA63J-822X	MG RESISTOR	8.2kΩ 1/16W J	1	K,L,M
	R98	NRSA63J-103X	MG RESISTOR	10kΩ 1/16W J	1	K,L,M
	R99	NRSA63J-124X	MG RESISTOR	120kΩ 1/16W J	1	K,L,M
	R100	NRSA63J-103X	MG RESISTOR	10kΩ 1/16W J	1	K,L,M
	R101	NRSA63J-822X	MG RESISTOR	8.2kΩ 1/16W J	1	K,L,M
	R102	NRSA63J-0R0X	MG RESISTOR	0Ω 1/10W J	1	K,L,M
	R103	NRSA63J-0R0X	MG RESISTOR	0Ω 1/10W J	1	K,L,M
	R104	NRSA02J-100X	MG RESISTOR	10Ω 1/10W J	1	K,L,M
	R164	NRSA63J-0R0X	MG RESISTOR	0Ω 1/10W J	1	K
	R165	NRSA63J-0R0X	MG RESISTOR	0Ω 1/10W J	1	L,M
	R166	NRSA63J-473X	MG RESISTOR	47kΩ 1/16W J	1	K,L,M
	R167	NRSA63J-471X	MG RESISTOR	470Ω 1/16W J	1	K,L,M
	R168	NRSA63J-123X	MG RESISTOR	12kΩ 1/16W J	1	K,L,M
	R174	NRSA63J-0R0X	MG RESISTOR	0Ω 1/10W J	1	K
	R175	NRSA63J-0R0X	MG RESISTOR	0Ω 1/10W J	1	L,M
	R176	NRSA63J-473X	MG RESISTOR	47kΩ 1/16W J	1	K,L,M
	R178	NRSA63J-123X	MG RESISTOR	12kΩ 1/16W J	1	K,L,M
	R189	NRSA63J-222X	MG RESISTOR	2.2kΩ 1/16W J	1	K,L,M
	R195	NRSA63J-222X	MG RESISTOR	2.2kΩ 1/16W J	1	K,L,M
	R273	NRSA63J-0R0X	MG RESISTOR	0Ω 1/10W J	1	K
	R274	NRSA63J-333X	MG RESISTOR	33kΩ 1/16W J	1	K
	R275	NRSA63J-821X	MG RESISTOR	820Ω 1/16W J	1	K
	R276	NRSA63J-101X	MG RESISTOR	100Ω 1/16W J	1	K
	R277	NRSA63J-472X	MG RESISTOR	4.7kΩ 1/16W J	1	K
	R278	NRSA63J-101X	MG RESISTOR	100Ω 1/16W J	1	K
	R301	NRSA63J-102X	MG RESISTOR	1kΩ 1/16W J	1	K,L,M
	R302	NRSA63J-102X	MG RESISTOR	1kΩ 1/16W J	1	K,L,M
	R304	NRSA63J-472X	MG RESISTOR	4.7kΩ 1/16W J	1	K,L,M
	R309	NRSA02J-100X	MG RESISTOR	10Ω 1/10W J	1	K,L,M
	R310	NRSA63J-472X	MG RESISTOR	4.7kΩ 1/16W J	1	K,L,M
	R311	NRSA63J-102X	MG RESISTOR	1kΩ 1/16W J	1	K,L,M
	R312	NRSA63J-102X	MG RESISTOR	1kΩ 1/16W J	1	K,L,M
	R321	NRSA63J-472X	MG RESISTOR	4.7kΩ 1/16W J	1	K,L,M
	R322	NRSA63J-331X	MG RESISTOR	330Ω 1/16W J	1	K,L,M
	R323	NRSA63J-181X	MG RESISTOR	180Ω 1/16W J	1	K,L,M
	R324	NRSA63J-223X	MG RESISTOR	22kΩ 1/16W J	1	K,L,M
	R331	NRSA63J-472X	MG RESISTOR	4.7kΩ 1/16W J	1	K,L,M
	R332	NRSA63J-331X	MG RESISTOR	330Ω 1/16W J	1	K,L,M
	R333	NRSA63J-181X	MG RESISTOR	180Ω 1/16W J	1	K,L,M
	R334	NRSA63J-223X	MG RESISTOR	22kΩ 1/16W J	1	K,L,M
	R341	NRSA63J-472X	MG RESISTOR	4.7kΩ 1/16W J	1	K,L,M
	R342	NRSA63J-331X	MG RESISTOR	330Ω 1/16W J	1	K,L,M
	R343	NRSA63J-181X	MG RESISTOR	180Ω 1/16W J	1	K,L,M
	R344	NRSA63J-223X	MG RESISTOR	22kΩ 1/16W J	1	K,L,M
	R351	NRSA63J-472X	MG RESISTOR	4.7kΩ 1/16W J	1	K,L,M
	R352	NRSA63J-331X	MG RESISTOR	330Ω 1/16W J	1	K,L,M
	R353	NRSA63J-181X	MG RESISTOR	180Ω 1/16W J	1	K,L,M
	R354	NRSA63J-223X	MG RESISTOR	22kΩ 1/16W J	1	K,L,M
	R371	NRSA63J-0R0X	MG RESISTOR	0Ω 1/10W J	1	K,L,M
	R372	NRSA63J-0R0X	MG RESISTOR	0Ω 1/10W J	1	K,L,M
	R373	NRSA63J-0R0X	MG RESISTOR	0Ω 1/10W J	1	K,L,M
	R374	NRSA63J-0R0X	MG RESISTOR	0Ω 1/10W J	1	K,L,M
	R391	NRS125J-0R0X	MG RESISTOR	0Ω 1/2W J	1	K,L,M
	R392	NRS125J-0R0X	MG RESISTOR	0Ω 1/2W J	1	K,L,M
	R393	NRS125J-0R0X	MG RESISTOR	0Ω 1/2W J	1	K,L,M
	R394	NRS125J-0R0X	MG RESISTOR	0Ω 1/2W J	1	K,L,M
	R395	NRS125J-0R0X	MG RESISTOR	0Ω 1/2W J	1	K,L,M
	R396	NRS125J-0R0X	MG RESISTOR	0Ω 1/2W J	1	K,L,M
	R397	NRS181J-0R0X	MG RESISTOR	0Ω 1/8W J	1	K,L,M
	R398	NRS181J-0R0X	MG RESISTOR	0Ω 1/8W J	1	K,L,M
	R502	NRSA63J-682X	MG RESISTOR	6.8kΩ 1/16W J	1	K,L,M
	R503	NRSA63J-333X	MG RESISTOR	33kΩ 1/16W J	1	K,L,M
	R504	NRSA63J-822X	MG RESISTOR	8.2kΩ 1/16W J	1	K,L,M
	R505	NRSA63J-822X	MG RESISTOR	8.2kΩ 1/16W J	1	K,L,M

MODEL	MARK	MODEL	MARK	MODEL	MARK	MODEL	MARK
KD-A725J	A	KD-R720J	B	KD-R721BTE	C	KD-R721BTEU	D
KD-R721BTEY	E	KD-R726U	F	KD-R726UH	G	KD-R726UT	H
KD-R727BTEE	I	KD-R728BTJ	J	KD-R729BTUR	K	KD-S48J	L
KD-S88BTJ	M						

Safe	Symbol No.	Parts No.	Parts Name	Description	QTY	Local
	R507	NRSA63J-222X	MG RESISTOR	2.2kΩ 1/16W J	1	K,L,M
	R508	NRSA63J-103X	MG RESISTOR	10kΩ 1/16W J	1	K,L,M
	R509	NRSA63J-822X	MG RESISTOR	8.2kΩ 1/16W J	1	K,L,M
	R510	NRSA63J-822X	MG RESISTOR	8.2kΩ 1/16W J	1	K,L,M
	R511	NRSA63J-562X	MG RESISTOR	5.6kΩ 1/16W J	1	K,L,M
	R512	NRSA63J-153X	MG RESISTOR	15kΩ 1/16W J	1	K,L,M
	R513	NRSA63J-153X	MG RESISTOR	15kΩ 1/16W J	1	K,L,M
	R514	NRSA63J-822X	MG RESISTOR	8.2kΩ 1/16W J	1	K,L,M
	R515	NRSA63J-562X	MG RESISTOR	5.6kΩ 1/16W J	1	K,L,M
	R516	NRSA63J-103X	MG RESISTOR	10kΩ 1/16W J	1	K,L,M
	R517	NRSA63J-682X	MG RESISTOR	6.8kΩ 1/16W J	1	K,L,M
	R518	NRSA63J-822X	MG RESISTOR	8.2kΩ 1/16W J	1	K,L,M
	R519	NRSA63J-333X	MG RESISTOR	33kΩ 1/16W J	1	K,L,M
	R520	NRS124J-100X	MG RESISTOR	10Ω 1/2W J	1	K,L,M
	R521	NRSA63J-822X	MG RESISTOR	8.2kΩ 1/16W J	1	K,L,M
	R522	NRSA63J-512X	MG RESISTOR	5.1kΩ 1/16W J	1	K,L,M
	R523	NRSA63J-333X	MG RESISTOR	33kΩ 1/16W J	1	K,L,M
	R524	NRSA63J-683X	MG RESISTOR	68kΩ 1/16W J	1	K,L,M
	R540	NRSA63J-821X	MG RESISTOR	820Ω 1/16W J	1	K,L,M
	R541	NRSA63J-272X	MG RESISTOR	2.7kΩ 1/16W J	1	K,L,M
	R542	NRSA63J-823X	MG RESISTOR	82kΩ 1/16W J	1	K,L,M
	R544	NRSA63J-0R0X	MG RESISTOR	0Ω 1/10W J	1	K,L,M
	R546	NRSA63J-220X	MG RESISTOR	22Ω 1/16W J	1	K,L,M
	R547	NRSA63J-220X	MG RESISTOR	22Ω 1/16W J	1	K,L,M
	R548	NRSA63J-0R0X	MG RESISTOR	0Ω 1/10W J	1	K,L,M
	R549	NRSA63J-103X	MG RESISTOR	10kΩ 1/16W J	1	K,L,M
	R550	NRSA63J-102X	MG RESISTOR	1kΩ 1/16W J	1	K,L,M
	R551	NRSA63J-102X	MG RESISTOR	1kΩ 1/16W J	1	K,L,M
	R552	NRSA63J-221X	MG RESISTOR	220Ω 1/16W J	1	K,L,M
	R553	NRSA63J-105X	MG RESISTOR	1MΩ 1/16W J	1	K,L,M
	R554	NRSA63J-102X	MG RESISTOR	1kΩ 1/16W J	1	K,L,M
	R556	NRSA63J-0R0X	MG RESISTOR	0Ω 1/10W J	1	K,L,M
	R557	NRSA63J-0R0X	MG RESISTOR	0Ω 1/10W J	1	K,L,M
	R558	NRSA63J-822X	MG RESISTOR	8.2kΩ 1/16W J	1	K,L,M
	R559	NRSA63J-822X	MG RESISTOR	8.2kΩ 1/16W J	1	K,L,M
	R560	NRSA63J-0R0X	MG RESISTOR	0Ω 1/10W J	1	K,L,M
	R561	NRSA63J-0R0X	MG RESISTOR	0Ω 1/10W J	1	K,L,M
	R562	NRSA63J-0R0X	MG RESISTOR	0Ω 1/10W J	1	K,L,M
	R563	NRSA02J-100X	MG RESISTOR	10Ω 1/10W J	1	K,L,M
	R564	NRSA02J-100X	MG RESISTOR	10Ω 1/10W J	1	K,L,M
	R565	NRSA63J-473X	MG RESISTOR	47kΩ 1/16W J	1	K,L,M
	R566	NRSA63J-0R0X	MG RESISTOR	0Ω 1/10W J	1	K,L,M
	R571	NRSA63J-330X	MG RESISTOR	33Ω 1/16W J	1	K,L,M
	R572	NRSA63J-330X	MG RESISTOR	33Ω 1/16W J	1	K,L,M
	R573	NRSA63J-330X	MG RESISTOR	33Ω 1/16W J	1	K,L,M
	R574	NRSA63J-330X	MG RESISTOR	33Ω 1/16W J	1	K,L,M
	R575	NQR0022-005X	FERRITE BEADS		1	K,L,M
	R576	NQR0022-005X	FERRITE BEADS		1	K,L,M
	R577	NQR0022-005X	FERRITE BEADS		1	K,L,M
	R581	NRSA63J-0R0X	MG RESISTOR	0Ω 1/10W J	1	K,L,M
	R583	NRSA63J-243X	MG RESISTOR	24kΩ 1/16W J	1	K,L,M
	R584	NRSA63J-243X	MG RESISTOR	24kΩ 1/16W J	1	K,L,M
	R585	NRSA63J-822X	MG RESISTOR	8.2kΩ 1/16W J	1	K,L,M
	R586	NRSA63J-822X	MG RESISTOR	8.2kΩ 1/16W J	1	K,L,M
	R587	NRSA63J-273X	MG RESISTOR	27kΩ 1/16W J	1	K,L,M
	R588	NRSA63J-273X	MG RESISTOR	27kΩ 1/16W J	1	K,L,M
	R591	NRSA63J-103X	MG RESISTOR	10kΩ 1/16W J	1	K,L,M
	R592	NRSA63J-103X	MG RESISTOR	10kΩ 1/16W J	1	K,L,M
	R593	NRSA63J-103X	MG RESISTOR	10kΩ 1/16W J	1	K,L,M
	R594	NRSA63J-103X	MG RESISTOR	10kΩ 1/16W J	1	K,L,M
	R603	NRSA63J-0R0X	MG RESISTOR	0Ω 1/10W J	1	K,L,M
	R701	NRSA63J-473X	MG RESISTOR	47kΩ 1/16W J	1	K,L,M
	R702	NRSA63J-106X	MG RESISTOR	10MΩ 1/16W J	1	K,L,M
	R703	NRSA63J-0R0X	MG RESISTOR	0Ω 1/10W J	1	K,L,M
	R705	NRSA63J-153X	MG RESISTOR	15kΩ 1/16W J	1	K,L,M
	R706	NRSA63J-0R0X	MG RESISTOR	0Ω 1/10W J	1	K,L,M
	R709	NRSA63J-151X	MG RESISTOR	150Ω 1/16W J	1	K,L,M
	R710	NRSA63J-151X	MG RESISTOR	150Ω 1/16W J	1	K,L,M
	R711	NRSA63J-472X	MG RESISTOR	4.7kΩ 1/16W J	1	K,L,M
	R713	NRSA63J-473X	MG RESISTOR	47kΩ 1/16W J	1	K,L,M
	R714	NRSA63J-473X	MG RESISTOR	47kΩ 1/16W J	1	K,L,M
	R715	NRSA63J-473X	MG RESISTOR	47kΩ 1/16W J	1	K,L,M
	R716	NRSA63J-101X	MG RESISTOR	100Ω 1/16W J	1	K,L,M
	R719	NRSA63J-473X	MG RESISTOR	47kΩ 1/16W J	1	K,L,M
	R720	NRSA63J-223X	MG RESISTOR	22kΩ 1/16W J	1	K,L,M
	R721	NRSA63J-101X	MG RESISTOR	100Ω 1/16W J	1	K,L,M
	R722	NRSA63J-222X	MG RESISTOR	2.2kΩ 1/16W J	1	K,L,M
	R723	NRSA63J-222X	MG RESISTOR	2.2kΩ 1/16W J	1	K,L,M
	R724	NRSA63J-222X	MG RESISTOR	2.2kΩ 1/16W J	1	K,L,M
	R725	NRSA63J-393X	MG RESISTOR	39kΩ 1/16W J	1	K,L,M
	R726	NRSA63J-223X	MG RESISTOR	22kΩ 1/16W J	1	K,L,M
	R727	NRSA63J-222X	MG RESISTOR	2.2kΩ 1/16W J	1	K,L,M
	R729	NRSA63J-223X	MG RESISTOR	22kΩ 1/16W J	1	K,L,M
	R730	NRSA63J-153X	MG RESISTOR	15kΩ 1/16W J	1	K,L,M
	R731	NRSA63J-103X	MG RESISTOR	10kΩ 1/16W J	1	K,L,M
	R736	NRSA63J-392X	MG RESISTOR	3.9kΩ 1/16W J	1	K,L,M
	R737	NRSA63J-103X	MG RESISTOR	10kΩ 1/16W J	1	K,L,M
	R738	NRSA63J-103X	MG RESISTOR	10kΩ 1/16W J	1	K,L,M

MODEL	MARK	MODEL	MARK	MODEL	MARK	MODEL	MARK
KD-A725J	A	KD-R720J	B	KD-R721BTE	C	KD-R721BTEU	D
KD-R721BTEY	E	KD-R726U	F	KD-R726UH	G	KD-R726UT	H
KD-R727BTEE	I	KD-R728BTJ	J	KD-R729BTUR	K	KD-S48J	L
KD-S88BTJ	M						

Safe	Symbol No.	Parts No.	Parts Name	Description	QTY	Local
	R739	NRSA63J-104X	MG RESISTOR	100kΩ 1/16W J	1	K,L,M
	R740	NRSA63J-104X	MG RESISTOR	100kΩ 1/16W J	1	K,L,M
	R741	NRSA63J-472X	MG RESISTOR	4.7kΩ 1/16W J	1	K,L,M
	R743	NRSA63J-472X	MG RESISTOR	4.7kΩ 1/16W J	1	K,L,M
	R744	NRSA63J-472X	MG RESISTOR	4.7kΩ 1/16W J	1	K,L,M
	R745	NRSA63J-101X	MG RESISTOR	100Ω 1/16W J	1	L,M
	R746	NRSA63J-472X	MG RESISTOR	4.7kΩ 1/16W J	1	K,L,M
	R748	NRSA63J-473X	MG RESISTOR	47kΩ 1/16W J	1	K,L,M
	R749	NRSA63J-473X	MG RESISTOR	47kΩ 1/16W J	1	K,L,M
	R751	NRSA63J-103X	MG RESISTOR	10kΩ 1/16W J	1	K,L,M
	R754	NRSA63J-473X	MG RESISTOR	47kΩ 1/16W J	1	K,L,M
	R755	NRSA63J-473X	MG RESISTOR	47kΩ 1/16W J	1	K,L,M
	R756	NRSA63J-473X	MG RESISTOR	47kΩ 1/16W J	1	K,L,M
	R757	NRSA63J-102X	MG RESISTOR	1kΩ 1/16W J	1	K,L,M
	R759	NRSA63J-102X	MG RESISTOR	1kΩ 1/16W J	1	L,M
	R760	NRSA63J-223X	MG RESISTOR	22kΩ 1/16W J	1	K,L,M
	R761	NRSA63J-392X	MG RESISTOR	3.9kΩ 1/16W J	1	K,L,M
	R762	NRSA63J-0R0X	MG RESISTOR	0Ω 1/10W J	1	L,M
	R763	NRSA63J-472X	MG RESISTOR	4.7kΩ 1/16W J	1	L,M
	R764	NRSA63J-472X	MG RESISTOR	4.7kΩ 1/16W J	1	L,M
	R765	NRSA63J-102X	MG RESISTOR	1kΩ 1/16W J	1	L,M
	R766	NRSA63J-103X	MG RESISTOR	10kΩ 1/16W J	1	K,L,M
	R767	NRSA63J-102X	MG RESISTOR	1kΩ 1/16W J	1	K,L,M
	R774	NRSA63J-222X	MG RESISTOR	2.2kΩ 1/16W J	1	K,L,M
	R781	NRSA63J-473X	MG RESISTOR	47kΩ 1/16W J	1	K,L,M
	R782	NRSA63J-331X	MG RESISTOR	330Ω 1/16W J	1	K,L,M
	R783	NRSA63J-103X	MG RESISTOR	10kΩ 1/16W J	1	K,L,M
	R785	NRSA63J-0R0X	MG RESISTOR	0Ω 1/10W J	1	K,L,M
	R786	NRSA63J-0R0X	MG RESISTOR	0Ω 1/10W J	1	K,L,M
	R790	NRSA63J-104X	MG RESISTOR	100kΩ 1/16W J	1	K,L,M
	R791	NRSA63J-103X	MG RESISTOR	10kΩ 1/16W J	1	K,L,M
	R801	NRSA63J-392X	MG RESISTOR	3.9kΩ 1/16W J	1	L,M
	R803	NRSA63J-682X	MG RESISTOR	6.8kΩ 1/16W J	1	L,M
	R804	NRSA63J-101X	MG RESISTOR	100Ω 1/16W J	1	L,M
	R805	NRSA63J-473X	MG RESISTOR	47kΩ 1/16W J	1	L,M
	R806	NRSA63J-104X	MG RESISTOR	100kΩ 1/16W J	1	L,M
	R807	NRSA63J-101X	MG RESISTOR	100Ω 1/16W J	1	L,M
	R808	NRSA63J-473X	MG RESISTOR	47kΩ 1/16W J	1	L,M
	R809	NRSA63J-682X	MG RESISTOR	6.8kΩ 1/16W J	1	L,M
	R810	NRSA63J-104X	MG RESISTOR	100kΩ 1/16W J	1	L,M
	R811	NRSA63J-104X	MG RESISTOR	100kΩ 1/16W J	1	L,M
	R812	NRSA63J-392X	MG RESISTOR	3.9kΩ 1/16W J	1	L,M
	R814	NRSA63J-0R0X	MG RESISTOR	0Ω 1/10W J	1	L,M
	R881	NRSA63J-273X	MG RESISTOR	27kΩ 1/16W J	1	K,L,M
	R882	NRSA63J-473X	MG RESISTOR	47kΩ 1/16W J	1	K,L,M
	R901	NRSA63J-103X	MG RESISTOR	10kΩ 1/16W J	1	K,L,M
	R902	NRSA63J-562X	MG RESISTOR	5.6kΩ 1/16W J	1	K,L,M
	R904	NRSA63D-274X	MG RESISTOR	270kΩ 1/16W D	1	K,L,M
	R905	NRSA63J-472X	MG RESISTOR	4.7kΩ 1/16W J	1	K,L,M
	R906	NRSA63D-273X	MG RESISTOR	27kΩ 1/16W D	1	K,L,M
	R907	NRSA63J-0R0X	MG RESISTOR	0Ω 1/10W J	1	K,L,M
	R921	NRSA63J-0R0X	MG RESISTOR	0Ω 1/10W J	1	K,L,M
	R922	NRSA63J-0R0X	MG RESISTOR	0Ω 1/10W J	1	K,L,M
	R923	NRSA63J-0R0X	MG RESISTOR	0Ω 1/10W J	1	K,L,M
	R924	NRSA63J-0R0X	MG RESISTOR	0Ω 1/10W J	1	K,L,M
	R931	NRSA63D-272X	MG RESISTOR	2.7kΩ 1/16W D	1	K,L,M
	R932	NRSA63J-471X	MG RESISTOR	470Ω 1/16W J	1	K,L,M
	R933	NRSA63J-470X	MG RESISTOR	47Ω 1/16W J	1	K,L,M
	R934	NRSA63D-102X	MG RESISTOR	1kΩ 1/16W D	1	K,L,M
	R935	NRSA63J-472X	MG RESISTOR	4.7kΩ 1/16W J	1	K,L,M
	R936	NRSA63D-333X	MG RESISTOR	33kΩ 1/16W D	1	K,L,M
	R937	NRSA63D-333X	MG RESISTOR	33kΩ 1/16W D	1	K,L,M
	R938	NRSA63J-563X	MG RESISTOR	56kΩ 1/16W J	1	K,L,M
	R939	NRSA63J-683X	MG RESISTOR	68kΩ 1/16W J	1	K,L,M
	R940	NRSA63J-471X	MG RESISTOR	470Ω 1/16W J	1	K,L,M
	R941	NRSA63D-272X	MG RESISTOR	2.7kΩ 1/16W D	1	K,L,M
	R942	NRSA63J-471X	MG RESISTOR	470Ω 1/16W J	1	K,L,M
	R943	NRSA63J-470X	MG RESISTOR	47Ω 1/16W J	1	K,L,M
	R944	NRSA63D-102X	MG RESISTOR	1kΩ 1/16W D	1	K,L,M
	R945	NRSA63J-472X	MG RESISTOR	4.7kΩ 1/16W J	1	K,L,M
	R946	NRSA63D-333X	MG RESISTOR	33kΩ 1/16W D	1	K,L,M
	R947	NRSA63D-333X	MG RESISTOR	33kΩ 1/16W D	1	K,L,M
	R948	NRSA63J-563X	MG RESISTOR	56kΩ 1/16W J	1	K,L,M
	R949	NRSA63J-683X	MG RESISTOR	68kΩ 1/16W J	1	K,L,M
	R950	NRSA63J-471X	MG RESISTOR	470Ω 1/16W J	1	K,L,M
	R951	NRSA63J-471X	MG RESISTOR	470Ω 1/16W J	1	K,L,M
	R952	NRSA63J-5R6X	MG RESISTOR	5.6Ω 1/16W J	1	K,L,M
	R953	NRSA63J-5R6X	MG RESISTOR	5.6Ω 1/16W J	1	K,L,M
	R954	NRSA63J-471X	MG RESISTOR	470Ω 1/16W J	1	K,L,M
	R955	NRSA63J-104X	MG RESISTOR	100kΩ 1/16W J	1	K,L,M
	R956	NRSA63J-273X	MG RESISTOR	27kΩ 1/16W J	1	K,L,M
	R957	NRSA63J-0R0X	MG RESISTOR	0Ω 1/10W J	1	K,L,M
	R958	NRS181J-271X	MG RESISTOR	270Ω 1/8W J	1	K,L,M
	R959	NRS181J-271X	MG RESISTOR	270Ω 1/8W J	1	K,L,M
	R960	NRSA63J-682X	MG RESISTOR	6.8kΩ 1/16W J	1	K,L,M
	R961	NRSA63J-103X	MG RESISTOR	10kΩ 1/16W J	1	K,L,M
	R962	NRSA63J-103X	MG RESISTOR	10kΩ 1/16W J	1	K,L,M

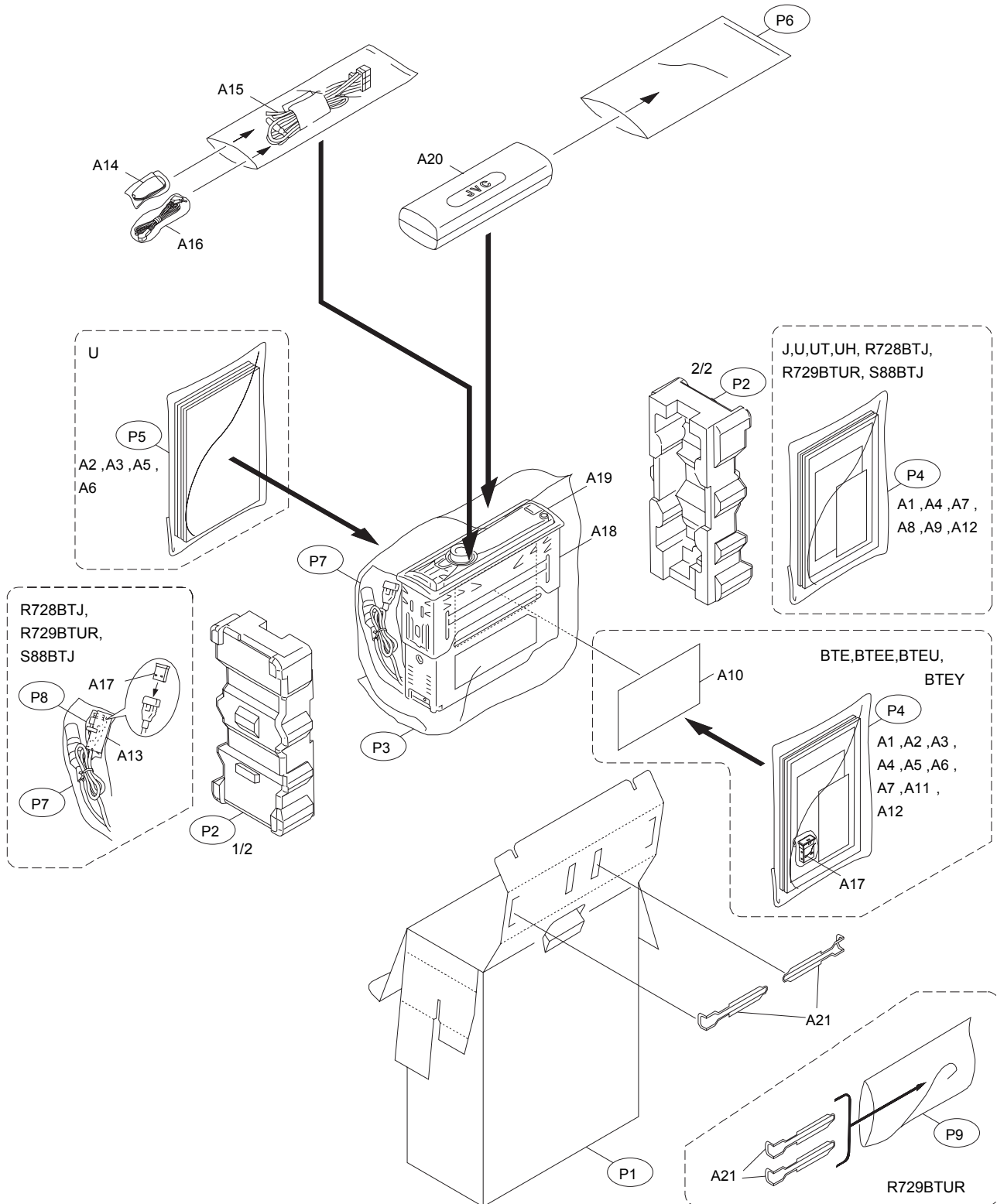
MODEL	MARK	MODEL	MARK	MODEL	MARK	MODEL	MARK
KD-A725J	A	KD-R720J	B	KD-R721BTE	C	KD-R721BTEU	D
KD-R721BTEY	E	KD-R726U	F	KD-R726UH	G	KD-R726UT	H
KD-R727BTEE	I	KD-R728BTJ	J	KD-R729BTUR	K	KD-S48J	L
KD-S88BTJ	M						

Safe	Symbol No.	Parts No.	Parts Name	Description	QTY	Local
	R964	NRSA63J-473X	MG RESISTOR	47kΩ 1/16W J	1	K,L,M
	R965	NRSA63J-682X	MG RESISTOR	6.8kΩ 1/16W J	1	K,L,M
	R971	NRSA63J-103X	MG RESISTOR	10kΩ 1/16W J	1	K,L,M
	R972	NRSA63J-103X	MG RESISTOR	10kΩ 1/16W J	1	K,L,M
	R973	NRSA63J-203X	MG RESISTOR	20kΩ 1/16W J	1	K,L,M
	R974	NRSA63J-473X	MG RESISTOR	47kΩ 1/16W J	1	K,L,M
	R975	NRSA02J-473X	MG RESISTOR	47kΩ 1/10W J	1	K,L,M
	R976	NRSA02J-683X	MG RESISTOR	68kΩ 1/10W J	1	K,L,M
	R977	NRSA63J-473X	MG RESISTOR	47kΩ 1/16W J	1	K,L,M
	R981	NRS181J-332X	MG RESISTOR	3.3kΩ 1/8W J	1	K,L,M
	R987	NRSA63J-0R0X	MG RESISTOR	0Ω 1/10W J	1	K,L,M
	R989	NRS181J-0R0X	MG RESISTOR	0Ω 1/8W J	1	K,L,M
	R990	NRSA63J-0R0X	MG RESISTOR	0Ω 1/10W J	1	K,L,M
	R994	NRSA63J-0R0X	MG RESISTOR	0Ω 1/10W J	1	K,L,M
	R995	NRSA63J-0R0X	MG RESISTOR	0Ω 1/10W J	1	K,L,M
	R996	NRSA63J-0R0X	MG RESISTOR	0Ω 1/10W J	1	K,L,M
	R997	NRS181J-0R0X	MG RESISTOR	0Ω 1/8W J	1	K,L,M
	R998	NRS181J-0R0X	MG RESISTOR	0Ω 1/8W J	1	K,L,M
	R999	NRS181J-0R0X	MG RESISTOR	0Ω 1/8W J	1	K,L,M
	L1	QQL232K-R47Z	COIL	0.47uH K	1	K,L,M
	L2	QQL232K-1R8Z	COIL	1.8uH K	1	K,L,M
	L3	QQL232K-R27Z	COIL	0.27uH K	1	K,L,M
	L4	QQR1872-001	RF COIL		1	K,L,M
	L5	QQL244J-561Z	COIL	560uH J	1	K,L,M
	L6	QQL244J-561Z	COIL	560uH J	1	K,L,M
	L7	QQL244J-4R7Z	P COIL	4.7uH J	1	K,L,M
	L8	NQL093K-4R7X	P COIL	4.7uH K	1	K,L,M
	L9	NQL093K-R47X	P COIL	0.47uH K	1	K,L,M
	L10	NQR0269-026X	FERRITE BEADS	10.500mA	1	K,L,M
	L181	NQLH25M-4R7X	COIL	4.7uH M	1	K,L,M
	L182	NQL553J-27NX	COIL	27nH J	1	K,L,M
	L191	NQL79GM-4R7X	COIL	4.7uH M	1	K,L,M
	L521	NQL093K-1R8X	P COIL	1.8uH K	1	K,L,M
	L701	QQL244K-4R7Z	COIL	4.7uH K	1	K,L,M
	L702	QQL244K-4R7Z	COIL	4.7uH K	1	K,L,M
	L901	QQR1884-001	CHOKE COIL		1	K,L,M
	L902	NQL79GM-101X	COIL	100uH M	1	K,L,M
	L931	QQL92AK-330Z	COIL	33uH K	1	K,L,M
	L941	QQL92AK-330Z	COIL	33uH K	1	K,L,M
	B181	NRS181J-0R0X	MG RESISTOR	0Ω 1/8W J	1	K
	B541	NRS181J-0R0X	MG RESISTOR	0Ω 1/8W J	1	K
	CN90	QGA2001F1-02	CONNECTOR	W-B (1-2)	1	K,L,M
	CN472	QGA2001C1-05	CONNECTOR	W-B (1-5)	1	K,L,M
	CN502	QGF1049F1-26X	CONNECTOR	FFC/FPC (1-26)	1	K,L,M
	CN701	QGZ1102J1-20	CONNECTOR	(1-20)	1	K,L,M
	CN901	QNZ0607-001	CAR CONNECTOR		1	K,L,M
△	F902	NMFZ018-3R0X-E	FUSE	3A	1	K,L,M
	J1	QNB0190-001	ANT TERMINAL		1	K,L,M
	J1 or	QNB0348-001	ANT TERMINAL		1	K,L,M
	J321	QNN0866-001	PIN JACK		1	K
	J321	QNN0868-001	PIN JACK		1	L,M
	J801	QNZ0095-001	CONNECTOR		1	L,M
	K581	NQR0022-005X	FERRITE BEADS		1	K,L,M
	K703	NRSA02J-0R0X	MG RESISTOR	0Ω 1/10W J	1	K,L,M
	K704	NRSA02J-0R0X	MG RESISTOR	0Ω 1/10W J	1	K,L,M
	K705	NRSA02J-0R0X	MG RESISTOR	0Ω 1/10W J	1	K,L,M
	K706	NQR0022-005X	FERRITE BEADS		1	K,L,M
	K707	NQR0022-005X	FERRITE BEADS		1	K,L,M
	K708	NQR0022-005X	FERRITE BEADS		1	K,L,M
	K931	NQLH25M-4R7X	COIL	4.7uH M	1	K,L,M
	K941	NQLH25M-4R7X	COIL	4.7uH M	1	K,L,M
	LF472	NQR0682-001X	CHOKE COIL		1	K,L,M
	PP1	QZW0010-001	STYLE PIN		1	K,L,M
	PP2	QZW0010-001	STYLE PIN		1	K,L,M
	PP3	QZW0010-001	STYLE PIN		1	K,L,M
	S703	QSW0648-001Z	TACT SWITCH		1	K,L,M
	X11	QAX0952-001Z	CRYSTAL		1	K,L,M
	X521	QAX0714-001Z	C RESONATOR	16.000MHz	1	K,L,M
	X701	NAX0917-001X	C RESONATOR		1	K,L,M
	X702	QAX0401-001	CRYSTAL	32.768KHz	1	K,L,M

Packing materials and accessories

Block No.M3MM

No additional / supplemental order of WARRANTY CARDS are available.



The parts without symbol number are not service.

MODEL	MARK	MODEL	MARK	MODEL	MARK	MODEL	MARK
KD-A725J	A	KD-R720J	B	KD-R721BTE	C	KD-R721BTEU	D
KD-R721BTEY	E	KD-R726U	F	KD-R726UH	G	KD-R726UT	H
KD-R727BTEE	I	KD-R728BTJ	J	KD-R729BTUR	K	KD-S48J	L
KD-S88BTJ	M						

Safe	Symbol No.	Parts No.	Parts Name	Description	QTY	Local
------	------------	-----------	------------	-------------	-----	-------

Packing and accessories <M3MM>

A1	GET0712-001B	INST BOOK	ENG SPA FRA	1	A,B
A1	GET0710-001A	INST BOOK	GER	1	C,E
A1	GET0710-005A	INST BOOK	SPA RUS TUR PER	1	D
A1	GET0726-001B	INST BOOK	ENG THA	1	F,G
A1	GET0726-004B	INST BOOK	ENG CHI(TAIWAN)	1	H
A1	GET0711-001A	INST BOOK	RUS UKR	1	I
A1	GET0709-001B	INST BOOK	ENG SPA FRA	1	J
A1	GET0732-001A	INST BOOK	POR	1	K
A1	GET0756-001A	INST BOOK	ENG SPA FRE	1	L
A1	GET0757-001A	INST BOOK	ENG SPA FRA	1	M
A2	GET0710-002A	INST BOOK	DUT SPA ITA POR	1	C
A2	GET0710-006A	INST BOOK	POL RUS GRE	1	E
A2	GET0726-002B	INST BOOK	KOR CHI(TAIWAN) ARA PER	1	F
A3	GET0710-003A	INST BOOK	ENG FRA	1	C,D
A3	GET0710-007A	INST BOOK	CZE HUN	1	E
A3	GET0726-003B	INST BOOK	RUS	1	F
A4	GET0712-002A	INSTALL MANUAL	ENG SPA FRA	1	A,B
A4	GET0710-008A	INSTALL MANUAL	GER	1	C,E
A4	GET0710-012A	INSTALL MANUAL	SPA RUS	1	D
A4	GET0726-005A	INSTALL MANUAL	ENG THA	1	F,G
A4	GET0726-008A	INSTALL MANUAL	ENG CHI(TAIWAN)	1	H
A4	GET0711-002A	INSTALL MANUAL	RUS UKR	1	I
A4	GET0709-002A	INSTALL MANUAL	ENG SPA FRA	1	J
A4	GET0732-002A	INSTALL MANUAL	POR	1	K
A4	GET0756-002A	INSTALL MANUAL	ENG SPA FRA	1	L
A4	GET0757-002A	INSTALL MANUAL	ENG SPA FRA	1	M
A5	GET0710-009A	INSTALL MANUAL	DUT SPA	1	C
A5	GET0710-010A	INSTALL MANUAL	ENG FRA	1	D
A5	GET0710-013A	INSTALL MANUAL	POL RUS GRE	1	E
A5	GET0726-006A	INSTALL MANUAL	KOR CHI(TAIWAN)	1	F
A6	GET0710-010A	INSTALL MANUAL	ENG FRA	1	C
A6	GET0710-014A	INSTALL MANUAL	CZE HUN	1	E
A6	GET0726-007A	INSTALL MANUAL	RUS	1	F
A7	-----	WARRANTY CARD	BT-52008-1	1	A,B,L,M
A7	-----	WARRANTY CARD	BT-54043-1	1	C,E,I
A7	-----	WARRANTY CARD	BT-51018-6	1	J
A8	-----	WARRANTY CARD	BT-51029-3	1	A
A8	-----	WARRANTY CARD	BT-51018-6	1	B,L,M
A8	-----	WARRANTY CARD	BT-52008-1	1	J
A9	-----	REGISTRATION CARD	BT-51044-1	1	A,B,J,L,M
A10	GET0713-001A	CAUTION SHEET		1	C,D,E,I
A10	GET0222-001B	CAUTION SHEET		1	L,M
A11	GET0738-001A	RUSSIA SHEET		1	E,I
A12	GET0617-001E	USB/BT ADP SHT		1	C,D,E,I,J
A12	GET0617-001G	USB/BT ADP SHT		1	K,M
A13	GET0725-001A	BT DONGLE SHEET		1	J,M
A13	GET0725-002A	BT DONGLE SHEET		1	K
A14	RM-RK52M	REMOCON UNIT		1	A,B,J,K,L,M
A14	RM-RK52C	REMOCON UNIT		1	C,D,E,F,G,H
A15	QAM1331-001	CAR CABLE		1	A,B,J,L,M
A15	QAM1343-001	CAR CABLE		1	C,D,E
A15	QAM1332-001	CAR CABLE		1	F,G,H
A15	QAM1342-001	CAR CABLE		1	I
A15	QAM1378-001	CAR CABLE		1	K
A16	QAN0096-001	MICROPHONE		1	C,D,E,I,J,K,M
A17	QAU0526-001	RF MODULE		1	C,D,E,I,J
A17	QAU0526-002	RF MODULE		1	K,M
A18	GE20279-001A	MOUNTING SLEEVE		1	
A19	GE20284-001A	TRIM PLATE		1	
A20	GE32320-001A	HARD CASE ASSY		1	A,C,D,E,F,G,H,I,J,K
A21	GE40508-001A	HOOK		2	
P1	GE34378-001A	CARTON		1	A
P1	GE34381-001A	CARTON		1	B
P1	GE34360-001A	CARTON		1	C,D,E
P1	GE34384-001A	CARTON		1	F,G,H
P1	GE34363-001A	CARTON		1	I
P1	GE34357-001A	CARTON		1	J
P1	GE34475-001A	CARTON		1	K
P1	GE34660-001A	CARTON		1	L
P1	GE34663-001A	CARTON		1	M
P2	GE10299-002A	CUSHION		1	A,B,C,D,E,F,G,H,I,J,L,M
P2	GE10320-001A	CUSHION		1	K
P3	QPC03004315PL	POLY BAG	30cm x 43cm	1	
P4	FSPG4002-001	POLY BAG		1	
P5	FSPG4002-001	POLY BAG		1	F
P6	QPA01003003	POLY BAG	10cm x 30cm	1	A,C,D,E,F,G,H,I,J,K
P7	QPC01002515	POLY BAG	10cm x 25cm	1	
P8	GE40556-001A	POLY BAG		1	J,M
P8	QPA00801205	POLY BAG	8cm x 12cm	1	K
P9	QPA00801205	POLY BAG	8cm x 12cm	1	K