

JVC

PARTS LIST

GPS NAVIGATION SYSTEM

KW-NT300J

KW-NT500HDTJ



■ PRECAUTIONS ON SCHEMATIC DIAGRAMS

- Due to the improvement in performance, some part numbers shown in the circuit diagrams may not agree with those indicated in the Parts List.
- The parts numbers, values and rated voltage etc. in the Schematic Diagrams are for reference only.
- Since the circuit diagrams are standard ones, the circuits and circuit constants may be subject to change for improvement without any notice.

■ PRECAUTIONS ON PARTS LIST

- The parts identified by the \triangle symbol are critical for safety. Whenever replacing these parts, be sure to use specified ones to secure the safety.
- The parts not indicated in this Parts List and those which are filled with lines --- in the Parts No. columns will not be supplied.
- P.W. BOARD Ass'y will not be supplied, but those which are filled with the Parts No. in the Parts No. columns will be supplied.
- When ordering chips, screws etc., place bulk orders (unit of tens) whenever possible to improve shipping efficiency.
- There are cases where the actual implemented parts in the sets and the service parts are different. When ordering parts, make sure to refer to the Parts List.

■ PRECAUTIONS ON SERVICE

Certain parts of the power circuits and the GNDs differ according to the models. Care must be taken for the following points as the differences are indicated separately in the LIVE GND () and the ISOLATED (NEUTRAL) GND () .

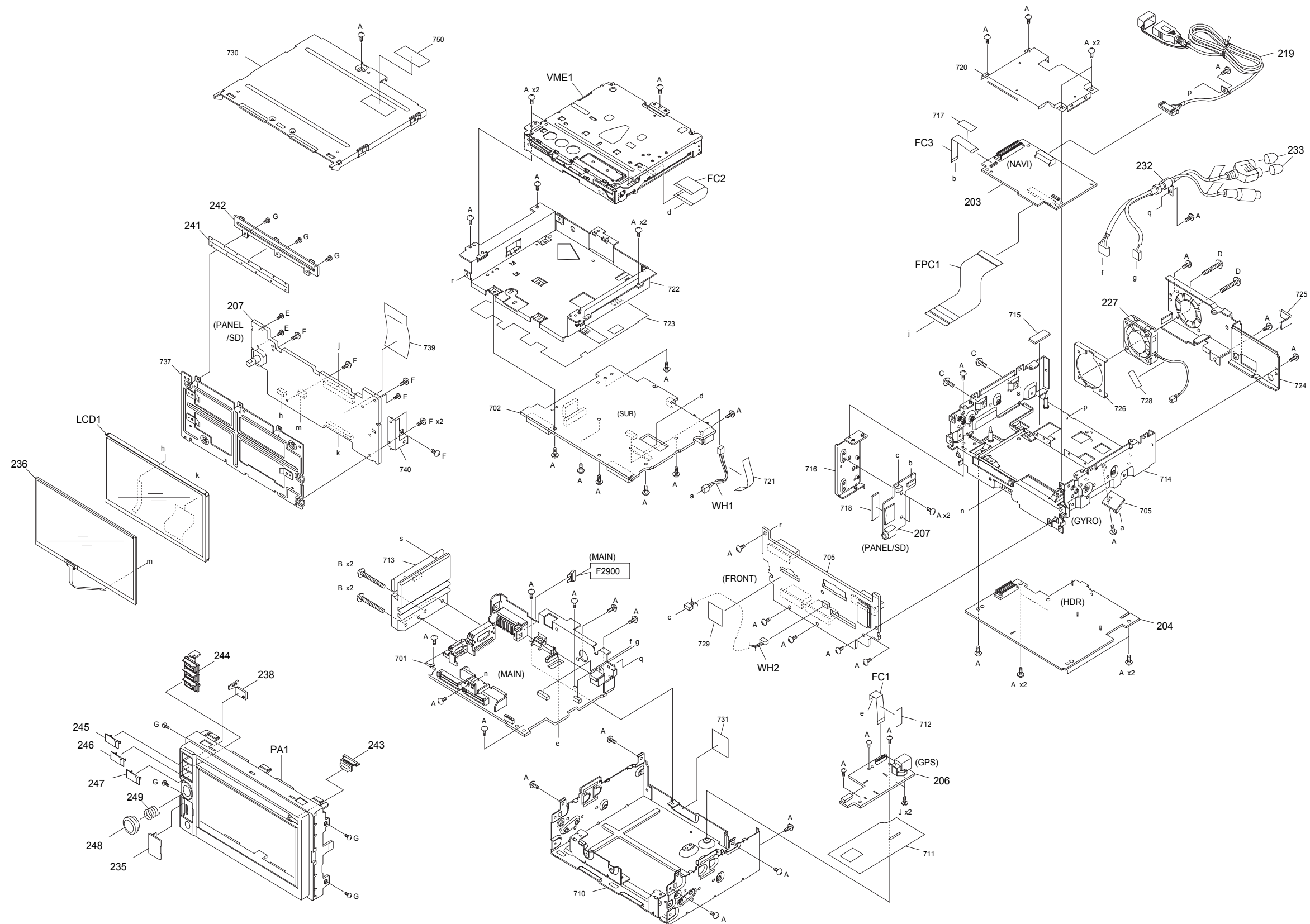
1. Do not touch the LIVE GND, or do not touch the LIVE GND and the ISOLATED (NEUTRAL) GND at the same time. It may cause an electric shock.
Before pulling out the chassis or other parts, make sure to pull out the power cord from the wall outlet first.
2. Do not short circuit between the LIVE GND and ISOLATED (NEUTRAL) GND, or never measure the LIVE GND and ISOLATED (NEUTRAL) GND at the same time using measuring instruments (oscilloscope, etc.). It may blow fuses or damage other parts.

■ DEVIATION TOLERANCE RANGE

DEVIATION TOLERANCE RANGE									
F	G	J	K	M	N	R	H	Z	P
± 1%	± 2%	± 5%	±10%	±20%	±30%	+30% -10%	+50% -10%	+80% -20%	+100% -0%

EXPLODED VIEW (UNIT)

Block No. M1MM



Parts with the exploded numbers larger than 700 are not supplied.

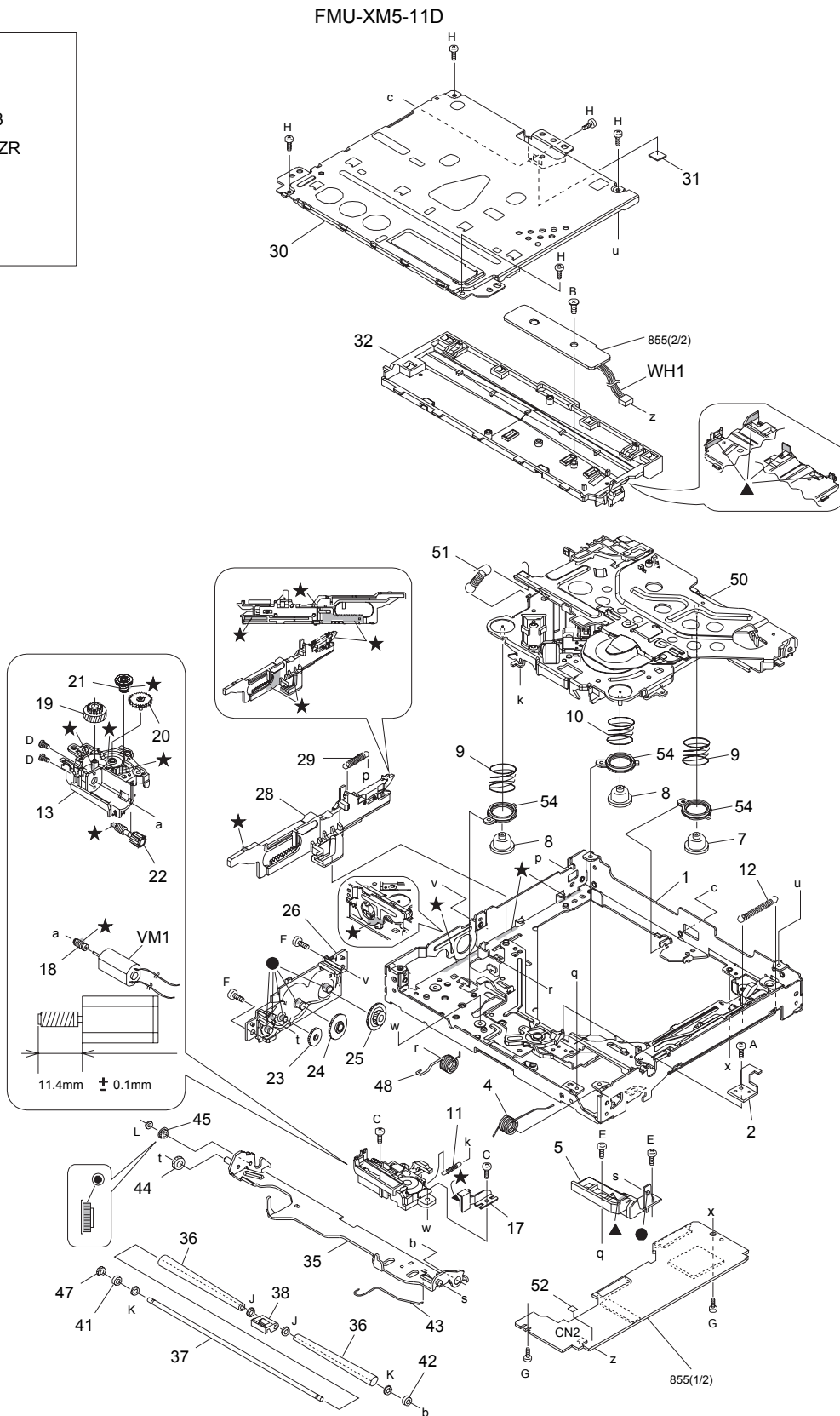
MODEL	MARK	MODEL	MARK
KW-NT300J	A	KW-NT500HDTJ	B

Safe	Symbol No.	Parts No.	Parts Name	Description	QTY	Local
EXPLODED VIEW (UNIT) <M1MM>						
	FC1	QUQY05-2005AC-E	FFC WIRE	20pin 5cm	1	
	FC2	QUQY05-5005BC-E	FFC WIRE	50pin 5cm	1	
	FC3	WJT0287-001A-E	E-CARD WIRE		1	
	FPC1	QAL1326-002	FPC		1	
	LCD1	QLD0676-001	LCD MODULE		1	
	PA1	LV22963-013A	FRONT PANEL ASSY		1	A
	PA1	LV22963-011A	FRONT PANEL ASSY		1	B
	VME1	FMU-XM5-11D	DVD MECHANISM		1	
	VME1	or FMU-XM5-31D	DVD MECHANISM		1	
	WH1	WJJ1247-003A-E	E-SI C WIRE C-C		1	
	WH2	WJJ1263-002A-E	E-SI C WIRE C-C		1	
	A	LV44800-002A	SPECIAL SCREW		53	
	B	QYSDST2620ZA	TAP SCREW		4	
	C	QYSDSP3006ZA	SCREW	M3 x 6mm	2	
	D	LV45522-001A	SPECIAL SCREW		2	
	E	VKZ4777-012	SCREW		3	
	F	LV44615-003A	SPECIAL SCREW		6	
	G	LV44159-002A	MINI SCREW		7	
	J	QYSDSF3006ZA	TAP SCREW	M3 x 6mm	2	
	203	CB-NT500NAVJD	NAVI BOARD ASSY	LVA11109-12A	1	
	204	CB-NT700HDRJD	HDR BOARD ASSY	LVA11116-02A	1	A
	204	CB-NT800HDRJD	HDR BOARD ASSY	LVA11116-01A	1	B
	206	CB-NT500GPSJD	GPS BOARD ASSY	LVA11051-05A	1	
	207	CB-NT500PNLJD	PANEL/SD ASSY	LVA11117-11A	1	
	219	QAM1428-001	CAR CABLE(USB)		1	
△	227	QAR0521-001	COOLING FAN		1	
	232	QAM1437-001	CAR CABLE(SUB-W)		1	
	233	GE40101-001A	PIN CAP		2	
	235	LV22966-006A	CARD COVER		1	
	236	QAL1306-001	TOUCH PANEL		1	
	238	LV39593-001A	SLOT LENS		1	
	241	LV45664-001A	BLIND		1	
	242	LV22965-001A	BLIND COVER		1	
	243	LV39592-002A	EJECT BUTTON		1	
	244	LV22964-001A	BUTTON BASE		1	
	245	LV39589-002A	BUTTON TOP A		1	
	246	LV39590-002A	BUTTON TOP B		1	
	247	LV39591-002A	BUTTON TOP C		1	
	248	LV39597-003A	VOL KNOB ASSY		1	
	249	GE40127-006A	KNOB SPRING		1	

EXPLODED VIEW (DVD MECHANISM:FMU-XM5-11D)

Block No.MJMM

- Grease
- ★ = JVG-31N
 - ◎ = JVS-1003
 - ▲ = CFD-006ZR
 - = JC-803B
 - = 1401C
 - △ = G332



Parts with the exploded numbers larger than 700 are not supplied.

MODEL	MARK	MODEL	MARK
KW-NT300J	A	KW-NT500HDTJ	B

Safe	Symbol No.	Parts No.	Parts Name	Description	QTY	Local
------	------------	-----------	------------	-------------	-----	-------

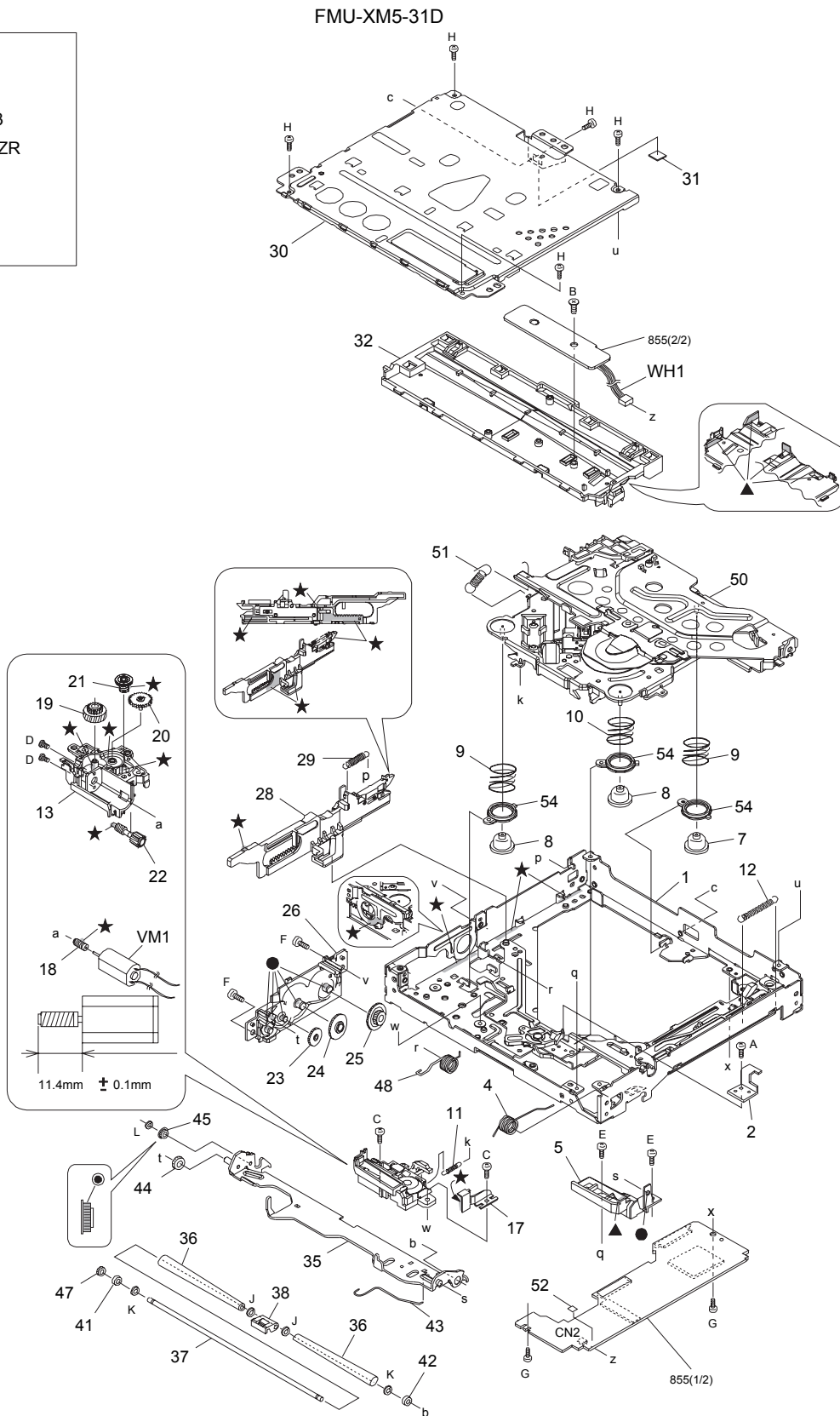
EXPLODED VIEW (DVD MECHANISM:FMU-XM5-11D) <MJMM>

VM1		QAR0465-001	LOADING MOTOR		1	
WH1		WJM0515-001A-E	E-SI C WIRE C-F		1	
A		LV44959-002A	SPECIAL SCREW		1	
B		LV44586-001A	SPECIAL SCREW		1	
C		LV45135-001A	MINI TAP SCREW		2	
D		QYSPSPU1425MA	SCREW	M1.4 x 2.5mm	2	
E		VKZ4539-054	MINI SCREW		2	
F		VKZ4539-054	MINI SCREW		2	
G		VKZ4539-054	MINI SCREW		2	
H		VKZ4539-054	MINI SCREW		5	
J		LV45252-001A	WASHER		2	
K		LV44960-001A	SLIT WASHER		2	
L		QYWDL1735250	SLIT WASHER	3.5mm/1.7mm x 0.25mm	1	
1		LV11434-011A	FRAME UNIT		1	
2		LV45021-001A	STOPPER		1	
4		LV45249-002A	L A SPRING(R) 2		1	
5		LV37639-002A	L ARM HOLDER		1	
7		LV45639-002A	INSULATOR		1	
8		LV45639-001A	INSULATOR		2	
9		LV45074-001A	DAMPER SPRING B		2	
10		LV45073-001A	DAMPER SPRING A		1	
11		LV44897-002A	FLOATING SPRING		1	
12		LV44894-001A	LOCK SLIDER SPR		1	
13		LV11436-001A	MOTOR HOLDER		1	
17		LV37642-001A	MOTOR TH SPRING		1	
18		LV37643-002A	MOTOR WORM GEAR		1	
19		LV37644-002A	M WHEEL GEAR		1	
20		LV37645-002A	M CONNECT GEAR		1	
21		LV37646-001A	A WORM GEAR		1	
22		LV37647-001A	A WHEEL GEAR		1	
23		LV37648-001A	ACT GEAR		1	
24		LV37649-001A	A CONNECT GAER		1	
25		LV37650-001A	LOAD GAER		1	
26		LV22553-003A	GEAR BASE		1	
28		LV37688-002A	SLIDE CAM ASSY		1	
29		LV45090-001A	S.CAM SPRING		1	
30		LV11437-003A	TOP COVER		1	
31		LV45157-001A	SPACER		1	
32		LV11600-001A	DISC PLATE 2		1	
35		LV22735-001A	LOADING A AS 2		1	
36		LV44902-002A	ROLLER		2	
37		LV45244-001A	ROLLER SHAFT 2		1	
38		LV37652-002A	SHAFT GUIDE		1	
41		LV44904-001A	ROLLER COLLAR L		1	
42		LV45221-001A	R. COLLAR R2		1	
43		LV45235-001A	L ARM ROD		1	
44		LV37653-001A	CONNECT GEAR		1	
45		LV37654-001A	MIDDLE GEAR		1	
47		LV37655-001A	ROLLER GAER		1	
48		LV45248-001A	L A SPRING(L) 2		1	
50		CM-FMUXD5D	TRA MECHA UNIT		1	
51		LV44910-002A	CLAMPER SPRING		1	
52		LV45289-002A	SPACER(P)		1	
54		LV39479-002A	INSULATOR CAP		3	

EXPLODED VIEW (DVD MECHANISM:FMU-XM5-31D)

Block No.MUMM

- Grease
- ★ = JVG-31N
 - ◎ = JVS-1003
 - ▲ = CFD-006ZR
 - = JC-803B
 - = 1401C
 - △ = G332



Parts with the exploded numbers larger than 700 are not supplied.

MODEL	MARK	MODEL	MARK
KW-NT300J	A	KW-NT500HDTJ	B

Safe	Symbol No.	Parts No.	Parts Name	Description	QTY	Local
------	------------	-----------	------------	-------------	-----	-------

EXPLODED VIEW (DVD MECHANISM:FMU-XM5-31D) <MUMM>

VM1		QAR0465-001	LOADING MOTOR		1	
WH1		WJM0515-001A-E	E-SI C WIRE C-F		1	
A		LV44959-002A	SPECIAL SCREW		1	
B		LV44586-001A	SPECIAL SCREW		1	
C		LV45135-001A	MINI TAP SCREW		2	
D		QYSPSPU1425MA	SCREW	M1.4 x 2.5mm	2	
E		VKZ4539-054	MINI SCREW		2	
F		VKZ4539-054	MINI SCREW		2	
G		VKZ4539-054	MINI SCREW		2	
H		VKZ4539-054	MINI SCREW		5	
J		LV45252-001A	WASHER		2	
K		LV44960-001A	SLIT WASHER		2	
L		QYWDL1735250	SLIT WASHER	3.5mm/1.7mm x 0.25mm	1	
1		LV11434-011A	FRAME UNIT		1	
2		LV45021-001A	STOPPER		1	
4		LV45249-002A	L A SPRING(R) 2		1	
5		LV37639-002A	L ARM HOLDER		1	
7		LV45639-002A	INSULATOR		1	
8		LV45639-001A	INSULATOR		2	
9		LV45074-001A	DAMPER SPRING B		2	
10		LV45073-001A	DAMPER SPRING A		1	
11		LV44897-002A	FLOATING SPRING		1	
12		LV44894-001A	LOCK SLIDER SPR		1	
13		LV11436-001A	MOTOR HOLDER		1	
17		LV37642-001A	MOTOR TH SPRING		1	
18		LV37643-002A	MOTOR WORM GEAR		1	
19		LV37644-002A	M WHEEL GEAR		1	
20		LV37645-002A	M CONNECT GEAR		1	
21		LV37646-001A	A WORM GEAR		1	
22		LV37647-001A	A WHEEL GEAR		1	
23		LV37648-001A	ACT GEAR		1	
24		LV37649-001A	A CONNECT GAER		1	
25		LV37650-001A	LOAD GAER		1	
26		LV22553-003A	GEAR BASE		1	
28		LV37688-002A	SLIDE CAM ASSY		1	
29		LV45090-001A	S.CAM SPRING		1	
30		LV11437-003A	TOP COVER		1	
31		LV45157-001A	SPACER		1	
32		LV11600-001A	DISC PLATE 2		1	
35		LV22735-001A	LOADING A AS 2		1	
36		LV44902-002A	ROLLER		2	
37		LV45244-001A	ROLLER SHAFT 2		1	
38		LV37652-002A	SHAFT GUIDE		1	
41		LV44904-001A	ROLLER COLLAR L		1	
42		LV45221-001A	R. COLLAR R2		1	
43		LV45235-001A	L ARM ROD		1	
44		LV37653-001A	CONNECT GEAR		1	
45		LV37654-001A	MIDDLE GEAR		1	
47		LV37655-001A	ROLLER GAER		1	
48		LV45248-001A	L A SPRING(L) 2		1	
50		CM-FMUXD5D	TRA MECHA UNIT		1	
51		LV44910-002A	CLAMPER SPRING		1	
52		LV45289-002A	SPACER(P)		1	
54		LV39479-002A	INSULATOR CAP		3	

HDR UNIT <04>

IC101		SAF7741HV/N125	IC		1	
IC111		TEF7000HN/V2S	IC		1	
IC121		TEF7000HN/V2S	IC		1	B
IC131		NJM2855DL1-33-X	IC		1	
IC132		NJM2855DL1-18-X	IC		1	
IC133		NJM2855DL1-05-X	IC		1	
IC134		NJM2855DL1-33-X	IC		1	B
IC135		MM1701CH-X	IC		1	B
△ IC151		SAF3560HV/V1103	IC		1	B
IC161		M12L25616A6TG2K	IC(DIGITAL)		1	B
IC165		JVM480D	PROGRAMED IC		1	B
Q1501		RT1N141U-X	DIGI TRANSISTOR		1	B
D1151		1SS390-X	SI DIODE		1	A
D1152		1SS390-X	SI DIODE		1	A
D1201		1SS390-X	SI DIODE		1	B
D1202		1SS390-X	SI DIODE		1	B
C1001		NCB31CK-104X	C CAPACITOR	0.1uF 16V	1	
C1004		NDC31HJ-8R0X	C CAPACITOR	8pF 50V J	1	
C1005		NDC31HJ-6R0X	C CAPACITOR	6pF 50V J	1	
C1006		NCBA1CK-103W	C CAPACITOR	0.01uF 16V K	1	
C1007		NEAF0JM-226X	E CAPACITOR	22uF 6.3V M	1	
C1008		NCB31CK-104X	C CAPACITOR	0.1uF 16V	1	
C1010		NCB31CK-104X	C CAPACITOR	0.1uF 16V	1	
C1012		NCB31CK-104X	C CAPACITOR	0.1uF 16V	1	
C1013		NEAF0JM-107X	E CAPACITOR	100uF 6.3V M	1	
C1014		NEAF0JM-107X	E CAPACITOR	100uF 6.3V M	1	
C1015		NCB31CK-104X	C CAPACITOR	0.1uF 16V	1	
C1016		NCB31CK-104X	C CAPACITOR	0.1uF 16V	1	
C1017		NCB31HK-223X	C CAPACITOR	0.022uF 50V K	1	
C1018		NCB31CK-104X	C CAPACITOR	0.1uF 16V	1	
C1019		NCB31CK-104X	C CAPACITOR	0.1uF 16V	1	
C1020		NCB31HK-332X	C CAPACITOR	3300pF 50V K	1	
C1021		NCB31HK-332X	C CAPACITOR	3300pF 50V K	1	
C1022		NEAF0JM-227X	E CAPACITOR	220uF 6.3V M	1	
C1023		NCB31HK-471X	C CAPACITOR	470pF 50V K	1	
C1024		NCB31HK-471X	C CAPACITOR	470pF 50V K	1	
C1025		NCB31HK-332X	C CAPACITOR	3300pF 50V K	1	

MODEL	MARK	MODEL	MARK
KW-NT300J	A	KW-NT500HDTJ	B

Safe	Symbol No.	Parts No.	Parts Name	Description	QTY	Local
	C1026	NCB31HK-332X	C CAPACITOR	3300pF 50V K	1	
	C1027	NCB31HK-332X	C CAPACITOR	3300pF 50V K	1	
	C1028	NCB31HK-332X	C CAPACITOR	3300pF 50V K	1	
	C1029	NCB31CK-104X	C CAPACITOR	0.1uF 16V	1	
	C1031	NCB31CK-104X	C CAPACITOR	0.1uF 16V	1	
	C1032	NCB31CK-104X	C CAPACITOR	0.1uF 16V	1	
	C1033	NCB31HK-223X	C CAPACITOR	0.022uF 50V K	1	
	C1034	NCJ11EK-106X-R	C CAPACITOR	10uF 25V	1	
	C1034	or NCJ11EK-106X-A	C CAPACITOR	10uF 25V K	1	
	C1035	NCB31HK-223X	C CAPACITOR	0.022uF 50V K	1	
	C1036	NCJ11EK-106X-R	C CAPACITOR	10uF 25V	1	
	C1036	or NCJ11EK-106X-A	C CAPACITOR	10uF 25V K	1	
	C1037	NCB31CK-104X	C CAPACITOR	0.1uF 16V	1	
	C1038	NCB31HK-223X	C CAPACITOR	0.022uF 50V K	1	
	C1039	NCB31CK-104X	C CAPACITOR	0.1uF 16V	1	
	C1040	NEAF0JM-107X	E CAPACITOR	100uF 6.3V M	1	
	C1041	NCB31CK-104X	C CAPACITOR	0.1uF 16V	1	
	C1042	NDC31HJ-101X	C CAPACITOR	100pF 50V J	1	
	C1043	NCB31CK-105X	C CAPACITOR	1uF 16V K	1	
	C1045	NCB31CK-105X	C CAPACITOR	1uF 16V K	1	
	C1047	NCB31CK-105X	C CAPACITOR	1uF 16V K	1	
	C1049	NCJ41CK-476X-A	C CAPACITOR	47uF 16V K	1	
	C1050	NCB31CK-104X	C CAPACITOR	0.1uF 16V	1	
	C1101	NCB31HK-102X	C CAPACITOR	1000pF 50V K	1	
	C1102	NDC31HJ-4R0X	C CAPACITOR	4pF 50V J	1	
	C1103	NDC31HJ-120X	C CAPACITOR	12pF 50V J	1	
	C1104	NDC31HJ-3R3X	C CAPACITOR	3.3pF 50V J	1	
	C1106	NCB31HK-102X	C CAPACITOR	1000pF 50V K	1	
	C1107	NCBA1HK-102W	C CAPACITOR	1000pF 50V K	1	
	C1109	NCB31HK-102X	C CAPACITOR	1000pF 50V K	1	
	C1111	NCB31HK-392X	C CAPACITOR	3900pF 50V K	1	
	C1113	NCBA1CK-103W	C CAPACITOR	0.01uF 16V K	1	
	C1114	NCBA1CK-103W	C CAPACITOR	0.01uF 16V K	1	
	C1121	NCB31HK-223X	C CAPACITOR	0.022uF 50V K	1	
	C1122	NCB31HK-223X	C CAPACITOR	0.022uF 50V K	1	
	C1123	NCB31HK-223X	C CAPACITOR	0.022uF 50V K	1	
	C1124	NCB31HK-223X	C CAPACITOR	0.022uF 50V K	1	
	C1131	NDC31HJ-101X	C CAPACITOR	100pF 50V J	1	
	C1137	NCB31CK-224X	C CAPACITOR	0.22uF 16V K	1	
	C1138	NCB31HK-223X	C CAPACITOR	0.022uF 50V K	1	
	C1139	NCBA1HK-102W	C CAPACITOR	1000pF 50V K	1	
	C1143	NCB31HK-223X	C CAPACITOR	0.022uF 50V K	1	
	C1144	NCBA1HK-331W	C CAPACITOR	330pF 50V K	1	
	C1145	NDCA1HJ-2R0W	C CAPACITOR	2pF 50V J	1	
	C1147	NDC31HJ-3R3X	C CAPACITOR	3.3pF 50V J	1	
	C1148	NDC31HJ-3R3X	C CAPACITOR	3.3pF 50V J	1	
	C1151	NDC31HJ-150X	C CAPACITOR	15pF 50V J	1	A
	C1152	NDC31HJ-220X	C CAPACITOR	22pF 50V J	1	A
	C1153	NCB31HK-221X	C CAPACITOR	220pF 50V K	1	A
	C1154	NCB31HK-102X	C CAPACITOR	1000pF 50V K	1	A
	C1201	NDC31HJ-150X	C CAPACITOR	15pF 50V J	1	B
	C1202	NDC31HJ-220X	C CAPACITOR	22pF 50V J	1	B
	C1203	NCB31HK-221X	C CAPACITOR	220pF 50V K	1	B
	C1204	NCB31HK-102X	C CAPACITOR	1000pF 50V K	1	B
	C1206	NCB31HK-102X	C CAPACITOR	1000pF 50V K	1	B
	C1207	NCBA1HK-102W	C CAPACITOR	1000pF 50V K	1	B
	C1221	NCB31HK-223X	C CAPACITOR	0.022uF 50V K	1	B
	C1222	NCB31HK-223X	C CAPACITOR	0.022uF 50V K	1	B
	C1223	NCB31HK-223X	C CAPACITOR	0.022uF 50V K	1	B
	C1224	NCB31HK-223X	C CAPACITOR	0.022uF 50V K	1	B
	C1237	NCB31CK-224X	C CAPACITOR	0.22uF 16V K	1	B
	C1238	NCB31HK-223X	C CAPACITOR	0.022uF 50V K	1	B
	C1239	NCBA1HK-102W	C CAPACITOR	1000pF 50V K	1	B
	C1243	NCB31HK-223X	C CAPACITOR	0.022uF 50V K	1	B
	C1244	NCBA1HK-332W	C CAPACITOR	3300pF 50V K	1	B
	C1245	NDCA1HJ-2R0W	C CAPACITOR	2pF 50V J	1	B
	C1247	NCB31HK-102X	C CAPACITOR	1000pF 50V K	1	B
	C1248	NCB31HK-102X	C CAPACITOR	1000pF 50V K	1	B
	C1311	NCB31CK-104X	C CAPACITOR	0.1uF 16V	1	
	C1312	NCJ41CK-476X-A	C CAPACITOR	47uF 16V K	1	
	C1313	NCB31CK-104X	C CAPACITOR	0.1uF 16V	1	
	C1314	NCJ41CK-476X-A	C CAPACITOR	47uF 16V K	1	
	C1321	NCB31CK-104X	C CAPACITOR	0.1uF 16V	1	
	C1322	NCB31CK-104X	C CAPACITOR	0.1uF 16V	1	
	C1323	NCJ41CK-476X-A	C CAPACITOR	47uF 16V K	1	
	C1333	NCJ21CK-106X-R	C CAPACITOR	10uF 16V K	1	
	C1334	NCB31CK-104X	C CAPACITOR	0.1uF 16V	1	
	C1335	NCJ41CK-476X-A	C CAPACITOR	47uF 16V K	1	
	C1336	NCJ41CK-476X-A	C CAPACITOR	47uF 16V K	1	
	C1341	NCJ41CK-476X-A	C CAPACITOR	47uF 16V K	1	B
	C1342	NCB31CK-104X	C CAPACITOR	0.1uF 16V	1	B
	C1343	NCJ41CK-476X-A	C CAPACITOR	47uF 16V K	1	B
	C1344	NCB31CK-104X	C CAPACITOR	0.1uF 16V	1	B
	C1352	NCB31CK-104X	C CAPACITOR	0.1uF 16V	1	B
	C1353	NCJ41CK-476X-A	C CAPACITOR	47uF 16V K	1	B
	C1354	NCB31CK-104X	C CAPACITOR	0.1uF 16V	1	B
	C1356	NCBA1CK-103W	C CAPACITOR	0.01uF 16V K	1	B
	C1501	NCB31CK-105X	C CAPACITOR	1uF 16V K	1	B
	C1502	NCB31HK-471X	C CAPACITOR	470pF 50V K	1	B
	C1505	NCB31CK-105X	C CAPACITOR	1uF 16V K	1	B
	C1506	NCB31CK-105X	C CAPACITOR	1uF 16V K	1	B
	C1507	NCB31CK-105X	C CAPACITOR	1uF 16V K	1	B

MODEL	MARK	MODEL	MARK
KW-NT300J	A	KW-NT500HDTJ	B

Safe	Symbol No.	Parts No.	Parts Name	Description	QTY	Local
	C1508	NCB31CK-105X	C CAPACITOR	1uF 16V K	1	B
	C1509	NCB31CK-105X	C CAPACITOR	1uF 16V K	1	B
	C1510	NCB31CK-105X	C CAPACITOR	1uF 16V K	1	B
	C1511	NCB31CK-105X	C CAPACITOR	1uF 16V K	1	B
	C1512	NCB31CK-105X	C CAPACITOR	1uF 16V K	1	B
	C1513	NDC31HJ-270X	C CAPACITOR	27pF 50V J	1	B
	C1514	NDC31HJ-270X	C CAPACITOR	27pF 50V J	1	B
	C1515	NDC31HJ-270X	C CAPACITOR	27pF 50V J	1	B
	C1516	NDC31HJ-270X	C CAPACITOR	27pF 50V J	1	B
	C1517	NDC31HJ-270X	C CAPACITOR	27pF 50V J	1	B
	C1518	NDC31HJ-270X	C CAPACITOR	27pF 50V J	1	B
	C1519	NDC31HJ-270X	C CAPACITOR	27pF 50V J	1	B
	C1520	NDC31HJ-270X	C CAPACITOR	27pF 50V J	1	B
	C1521	NCB31CK-105X	C CAPACITOR	1uF 16V K	1	B
	C1522	NCB31CK-105X	C CAPACITOR	1uF 16V K	1	B
	C1523	NDC31HJ-270X	C CAPACITOR	27pF 50V J	1	B
	C1524	NDC31HJ-270X	C CAPACITOR	27pF 50V J	1	B
	C1525	NDC31HJ-270X	C CAPACITOR	27pF 50V J	1	B
	C1526	NDC31HJ-270X	C CAPACITOR	27pF 50V J	1	B
	C1527	NCB31CK-105X	C CAPACITOR	1uF 16V K	1	B
	C1528	NCB31CK-105X	C CAPACITOR	1uF 16V K	1	B
	C1529	NCB31CK-105X	C CAPACITOR	1uF 16V K	1	B
	C1530	NCB31CK-105X	C CAPACITOR	1uF 16V K	1	B
	C1531	NCB31CK-105X	C CAPACITOR	1uF 16V K	1	B
	C1532	NCB31CK-105X	C CAPACITOR	1uF 16V K	1	B
	C1533	NCB31CK-105X	C CAPACITOR	1uF 16V K	1	B
	C1534	NCB31CK-105X	C CAPACITOR	1uF 16V K	1	B
	C1535	NCB31CK-105X	C CAPACITOR	1uF 16V K	1	B
	C1536	NCB31CK-105X	C CAPACITOR	1uF 16V K	1	B
	C1537	NCB31CK-105X	C CAPACITOR	1uF 16V K	1	B
	C1538	NCB31CK-105X	C CAPACITOR	1uF 16V K	1	B
	C1539	NCB31CK-105X	C CAPACITOR	1uF 16V K	1	B
	C1540	NCB31CK-105X	C CAPACITOR	1uF 16V K	1	B
	C1541	NCB31CK-105X	C CAPACITOR	1uF 16V K	1	B
	C1542	NCB31CK-105X	C CAPACITOR	1uF 16V K	1	B
	C1543	NCB31CK-105X	C CAPACITOR	1uF 16V K	1	B
	C1544	NCB31CK-105X	C CAPACITOR	1uF 16V K	1	B
	C1545	NCB31CK-105X	C CAPACITOR	1uF 16V K	1	B
	C1546	NDC31HJ-3R0X	C CAPACITOR	3pF 50V J	1	B
	C1547	NDC31HJ-3R0X	C CAPACITOR	3pF 50V J	1	B
	C1548	NCB31CK-105X	C CAPACITOR	1uF 16V K	1	B
	C1601	NCB31CK-105X	C CAPACITOR	1uF 16V K	1	B
	C1602	NCB31CK-105X	C CAPACITOR	1uF 16V K	1	B
	C1603	NCB31CK-105X	C CAPACITOR	1uF 16V K	1	B
	C1604	NCB31CK-105X	C CAPACITOR	1uF 16V K	1	B
	C1605	NCB31CK-105X	C CAPACITOR	1uF 16V K	1	B
	C1606	NCB31CK-105X	C CAPACITOR	1uF 16V K	1	B
	C1607	NCB31CK-105X	C CAPACITOR	1uF 16V K	1	B
	C1651	NCB31CK-105X	C CAPACITOR	1uF 16V K	1	B
	R1001	NRSA63J-220X	MG RESISTOR	22Ω 1/16W J	1	
	R1002	NRSA63J-101X	MG RESISTOR	100Ω 1/16W J	1	
	R1003	NRSA63J-100X	MG RESISTOR	10Ω 1/16W J	1	
	R1007	NRSA63J-101X	MG RESISTOR	100Ω 1/16W J	1	A
	R1008	NRSA63J-101X	MG RESISTOR	100Ω 1/16W J	1	A
	R1011	NRSA63J-103X	MG RESISTOR	10kΩ 1/16W J	1	A
	R1013	NRSA63J-102X	MG RESISTOR	1kΩ 1/16W J	1	
	R1014	NRSA63J-103X	MG RESISTOR	10kΩ 1/16W J	1	
	R1015	NRSA63J-101X	MG RESISTOR	100Ω 1/16W J	1	
	R1016	NRSA63J-101X	MG RESISTOR	100Ω 1/16W J	1	
	R1017	NRSA63J-102X	MG RESISTOR	1kΩ 1/16W J	1	B
	R1018	NRSA63J-102X	MG RESISTOR	1kΩ 1/16W J	1	B
	R1019	NRSA63J-102X	MG RESISTOR	1kΩ 1/16W J	1	B
	R1020	NRSA63J-101X	MG RESISTOR	100Ω 1/16W J	1	B
	R1021	NRSA63J-103X	MG RESISTOR	10kΩ 1/16W J	1	A
	R1022	NRSA63J-101X	MG RESISTOR	100Ω 1/16W J	1	B
	R1023	NRSA63J-101X	MG RESISTOR	100Ω 1/16W J	1	B
	R1024	NRSA63J-101X	MG RESISTOR	100Ω 1/16W J	1	B
	R1025	NRSA63J-101X	MG RESISTOR	100Ω 1/16W J	1	B
	R1026	NRSA63J-101X	MG RESISTOR	100Ω 1/16W J	1	B
	R1027	NRSA63J-101X	MG RESISTOR	100Ω 1/16W J	1	B
	R1028	NRSA63J-101X	MG RESISTOR	100Ω 1/16W J	1	B
	R1029	NRSA63J-101X	MG RESISTOR	100Ω 1/16W J	1	B
	R1030	NRSA63J-103X	MG RESISTOR	10kΩ 1/16W J	1	B
	R1031	NRSA63J-103X	MG RESISTOR	10kΩ 1/16W J	1	B
	R1032	NRSA63J-103X	MG RESISTOR	10kΩ 1/16W J	1	
	R1033	NRSA63J-103X	MG RESISTOR	10kΩ 1/16W J	1	
	R1034	NRSA63J-103X	MG RESISTOR	10kΩ 1/16W J	1	
	R1035	NRSA63J-103X	MG RESISTOR	10kΩ 1/16W J	1	B
	R1101	NRSA63J-474X	MG RESISTOR	470kΩ 1/16W J	1	
	R1102	NRSA63J-474X	MG RESISTOR	470kΩ 1/16W J	1	
	R1103	NRSA63J-560X	MG RESISTOR	56Ω 1/16W J	1	
	R1128	NRSA63J-0R0X	MG RESISTOR	0Ω 1/10W J	1	A
	R1128	NRSA63J-181X	MG RESISTOR	180Ω 1/16W J	1	B
	R1129	NRSA63J-0R0X	MG RESISTOR	0Ω 1/10W J	1	A
	R1129	NRSA63J-181X	MG RESISTOR	180Ω 1/16W J	1	B
	R1131	NRSA63J-101X	MG RESISTOR	100Ω 1/16W J	1	
	R1132	NRSA63J-0R0X	MG RESISTOR	0Ω 1/10W J	1	
	R1143	NRSA6AJ-392W	MG RESISTOR	3.9kΩ 1/16W J	1	
	R1144	NRSA6AJ-223W	MG RESISTOR	22kΩ 1/16W J	1	
	R1151	NRSA63J-331X	MG RESISTOR	330Ω 1/16W J	1	A
	R1152	NRSA63J-181X	MG RESISTOR	180Ω 1/16W J	1	A
	R1201	NRSA63J-331X	MG RESISTOR	330Ω 1/16W J	1	B

MODEL	MARK	MODEL	MARK
KW-NT300J	A	KW-NT500HDTJ	B

Safe	Symbol No.	Parts No.	Parts Name	Description	QTY	Local
	R1202	NRSA63J-181X	MG RESISTOR	180Ω 1/16W J	1	B
	R1228	NRSA63J-181X	MG RESISTOR	180Ω 1/16W J	1	B
	R1229	NRSA63J-181X	MG RESISTOR	180Ω 1/16W J	1	B
	R1231	NRSA63J-101X	MG RESISTOR	100Ω 1/16W J	1	B
	R1232	NRSA63J-101X	MG RESISTOR	100Ω 1/16W J	1	B
	R1243	NRSA6AJ-392W	MG RESISTOR	3.9kΩ 1/16W J	1	B
	R1245	NRSA6AJ-223W	MG RESISTOR	22kΩ 1/16W J	1	B
	R1311	NRSA63J-331X	MG RESISTOR	330Ω 1/16W J	1	B
	R1321	NRSA63J-272X	MG RESISTOR	2.7kΩ 1/16W J	1	B
	R1341	NRSA63J-222X	MG RESISTOR	2.2kΩ 1/16W J	1	B
	R1351	NRSA63J-222X	MG RESISTOR	2.2kΩ 1/16W J	1	B
	R1501	NRSA63J-103X	MG RESISTOR	10kΩ 1/16W J	1	B
	R1502	NRSA63J-470X	MG RESISTOR	47Ω 1/16W J	1	B
	R1504	NRSA63J-470X	MG RESISTOR	47Ω 1/16W J	1	B
	R1506	NRSA63J-0R0X	MG RESISTOR	0Ω 1/10W J	1	B
	R1507	NRSA63J-0R0X	MG RESISTOR	0Ω 1/10W J	1	B
	R1508	NRSA63J-0R0X	MG RESISTOR	0Ω 1/10W J	1	B
	R1509	NRSA63J-103X	MG RESISTOR	10kΩ 1/16W J	1	B
	R1510	NRSA63J-0R0X	MG RESISTOR	0Ω 1/10W J	1	B
	R1511	NRSA63J-103X	MG RESISTOR	10kΩ 1/16W J	1	B
	R1512	NRSA63J-0R0X	MG RESISTOR	0Ω 1/10W J	1	B
	R1513	NRSA63J-0R0X	MG RESISTOR	0Ω 1/10W J	1	B
	R1514	NRSA63J-0R0X	MG RESISTOR	0Ω 1/10W J	1	B
	R1515	NRSA63J-103X	MG RESISTOR	10kΩ 1/16W J	1	B
	R1516	NRSA63J-0R0X	MG RESISTOR	0Ω 1/10W J	1	B
	R1517	NRSA63J-103X	MG RESISTOR	10kΩ 1/16W J	1	B
	R1518	NRSA63J-101X	MG RESISTOR	100Ω 1/16W J	1	B
	R1519	NRSA63J-0R0X	MG RESISTOR	0Ω 1/10W J	1	B
	R1520	NRSA63J-0R0X	MG RESISTOR	0Ω 1/10W J	1	B
	R1521	NRSA63J-101X	MG RESISTOR	100Ω 1/16W J	1	B
	R1601	NRSA63J-470X	MG RESISTOR	47Ω 1/16W J	1	B
	R1602	NRSA6AJ-470W	MG RESISTOR	47Ω 1/16W J	1	B
	R1603	NRSA63J-101X	MG RESISTOR	100Ω 1/16W J	1	B
	R1604	NRSA63J-470X	MG RESISTOR	47Ω 1/16W J	1	B
	R1651	NRSA63J-103X	MG RESISTOR	10kΩ 1/16W J	1	B
	R1653	NRSA63J-103X	MG RESISTOR	10kΩ 1/16W J	1	B
	R1901	NRSA63J-0R0X	MG RESISTOR	0Ω 1/10W J	1	B
	R1902	NRSA63J-0R0X	MG RESISTOR	0Ω 1/10W J	1	B
	R1903	NRSA63J-0R0X	MG RESISTOR	0Ω 1/10W J	1	A
	R1905	NRSA63J-472X	MG RESISTOR	4.7kΩ 1/16W J	1	B
	R1906	NRSA63J-472X	MG RESISTOR	4.7kΩ 1/16W J	1	B
	R1907	NRSA63J-101X	MG RESISTOR	100Ω 1/16W J	1	B
	R1908	NRSA63J-101X	MG RESISTOR	100Ω 1/16W J	1	B
	R1909	NRSA63J-101X	MG RESISTOR	100Ω 1/16W J	1	B
	R1910	NRSA63J-101X	MG RESISTOR	100Ω 1/16W J	1	B
	R1911	NRSA63J-101X	MG RESISTOR	100Ω 1/16W J	1	B
	R1912	NRSA63J-101X	MG RESISTOR	100Ω 1/16W J	1	B
	R1913	NRSA63J-101X	MG RESISTOR	100Ω 1/16W J	1	B
	R1914	NRSA63J-101X	MG RESISTOR	100Ω 1/16W J	1	B
	RA151	NRB04CJ-470W	NET RESISTOR	47Ω J	1	B
	RA152	NRB04CJ-470W	NET RESISTOR	47Ω J	1	B
	RA153	NRB04CJ-470W	NET RESISTOR	47Ω J	1	B
	RA161	NRB04CJ-470W	NET RESISTOR	47Ω J	1	B
	RA162	NRB04CJ-470W	NET RESISTOR	47Ω J	1	B
	RA163	NRB04CJ-470W	NET RESISTOR	47Ω J	1	B
	RA164	NRB04CJ-470W	NET RESISTOR	47Ω J	1	B
	RA165	NRB04CJ-470W	NET RESISTOR	47Ω J	1	B
	RA166	NRB04CJ-470W	NET RESISTOR	47Ω J	1	B
	RA167	NRB04CJ-470W	NET RESISTOR	47Ω J	1	B
	RA168	NRB04CJ-470W	NET RESISTOR	47Ω J	1	B
	RA169	NRB04CJ-470W	NET RESISTOR	47Ω J	1	B
	L1001	NQL093K-2R2X	P COIL	2.2uH K	1	B
	L1002	NRSA63J-0R0X	MG RESISTOR	0Ω 1/10W J	1	B
	L1003	NRSA63J-0R0X	MG RESISTOR	0Ω 1/10W J	1	B
	L1004	NRSA63J-0R0X	MG RESISTOR	0Ω 1/10W J	1	B
	L1005	NRSA63J-0R0X	MG RESISTOR	0Ω 1/10W J	1	B
	L1006	NRSA63J-0R0X	MG RESISTOR	0Ω 1/10W J	1	B
	L1007	NRSA63J-0R0X	MG RESISTOR	0Ω 1/10W J	1	B
	L1101	NQL093K-4R7X	P COIL	4.7uH K	1	B
	L1102	NQL093K-R47X	P COIL	0.47uH K	1	B
	L1103	NQL093K-1R8X	P COIL	1.8uH K	1	B
	L1104	NQL093K-R22X	P COIL	0.22uH K	1	B
	L1113	NQL114K-331X	P COIL	330uH K	1	B
	L1114	NQL114K-331X	P COIL	330uH K	1	B
	L1151	NQLZ017-R21X	COIL	0.21uH	1	A
	L1171	NQL093K-R39X	P COIL	0.39uH K	1	B
	L1201	NQLZ017-R21X	COIL	0.21uH	1	B
	T1151	NQR0696-001X	RF COIL		1	A
	T1201	NQR0696-001X	RF COIL		1	B
	CN191	QGB0815J3-40X	CONNECTOR	B-B (1-40)	1	B
	J1101	QNB0348-001	ANT TERMINAL		1	B
	K1101	NQR0689-001X	FERRITE BEADS		1	B
	VA102	NAF0024-001X	ESD SUPPRESSOR		1	B
	X1001	NAX1173-001X	CRYSTAL		1	B
	X1501	NAX1116-001X	CRYSTAL		1	B
MAIN UNIT <01>						
	IC201	JVM536C	IC(MCU)		1	A
	IC201	JVM535C	IC(MCU)		1	B
	IC202	XC6120N282NG-X	IC		1	B
	IC203	R1EX24032ASAA-X	IC		1	B
	IC204	NJM2871BF33-X	IC		1	B
	IC232	TB2926CHQ	IC		1	B

MODEL	MARK	MODEL	MARK
KW-NT300J	A	KW-NT500HDTJ	B

Safe	Symbol No.	Parts No.	Parts Name	Description	QTY	Local
	IC241	TDA7716N	IC		1	
	IC245	NJM4580E-X	IC		1	
	IC251	AK7601VQ-W	IC		1	
	IC255	XC6216C202PG-X	IC		1	
	IC256	NJM2871BF33-X	IC		1	
	IC264	TC7WT126FU-X	IC		1	
	IC271	RT3J33M-X	MOS FET ARRAY		1	
	IC272	JVM565B	IC(MCU)		1	
	IC281	NJM2871BF33-X	IC		1	
	IC291	LV5680P	IC		1	
	IC295	NJM2903V-X	IC		1	
	IC296	TC7WH241FU-X	IC		1	
	Q2002	RT1N441C-X	TRANSISTOR		1	
	Q2003	DTC114YUA-X	DIGI TRANSISTOR		1	
	Q2303	2SC1623A/5-6/-X	TRANSISTOR		1	
	Q2304	RT1P141C-X	DIGI TRANSISTOR		1	
	Q2305	RT1P141C-X	DIGI TRANSISTOR		1	
	Q2306	RT1N141C-X	DIGI TRANSISTOR		1	
	Q2307	RT1P141C-X	DIGI TRANSISTOR		1	
	Q2311	RT1P141C-X	DIGI TRANSISTOR		1	
	Q2312	RT1N141C-X	DIGI TRANSISTOR		1	
	Q2405	RT1N141C-X	DIGI TRANSISTOR		1	
	Q2471	KTC812T-X	PAIR TRANSISTOR		1	
	Q2471	or IMX9-W	PAIR TRANSISTOR		1	
	Q2711	RT1N144U-X	DIGI TRANSISTOR		1	
	Q2901	RT1P144C-X	DIGI TRANSISTOR		1	
	Q2903	RT1N241C-X	DIGI TRANSISTOR		1	
	Q2904	RT1N241C-X	DIGI TRANSISTOR		1	
	Q2961	DSC5001/RS/-X	TRANSISTOR		1	
	Q2962	DSC5001/RS/-X	TRANSISTOR		1	
	D2001	CRS03-W	SB DIODE		1	
	D2002	CRS03-W	SB DIODE		1	
	D2004	1SS355W-X	DIODE		1	
	D2005	CRS03-W	SB DIODE		1	
	D2006	CRS03-W	SB DIODE		1	
	D2302	RKZ9.1B2KG-X	Z DIODE		1	
	D2303	1SS355W-X	DIODE		1	
	D2304	1SS355W-X	DIODE		1	
	D2451	RKZ4.7B2KG-X	Z DIODE		1	
	D2452	RKZ4.7B2KG-X	Z DIODE		1	
	D2471	1SS355W-X	DIODE		1	
	D2472	1SS355W-X	DIODE		1	
	D2511	RKZ6.8B2KG-X	Z DIODE		1	
	D2512	RKZ6.8B2KG-X	Z DIODE		1	
	D2513	RKZ6.8B2KG-X	Z DIODE		1	
	D2514	RKZ6.8B2KG-X	Z DIODE		1	
	D2515	RKZ6.8B2KG-X	Z DIODE		1	
	D2516	RKZ6.8B2KG-X	Z DIODE		1	
	D2641	RKZ6.2B2KG-X	Z DIODE		1	
	D2642	RKZ6.2B2KG-X	Z DIODE		1	
	D2643	RKZ6.2B2KG-X	Z DIODE		1	
	D2721	RKZ6.2B2KG-X	Z DIODE		1	
	D2722	1SS355W-X	DIODE		1	
	D2723	1SS355W-X	DIODE		1	
	D2724	CRS03-W	SB DIODE		1	
	D2725	RKZ4.7B2KG-X	Z DIODE		1	
	D2901	1N5401-BPC04	SI DIODE		1	
	D2902	CRS03-W	SB DIODE		1	
	D2905	1SS355W-X	DIODE		1	
	D2910	1SS355W-X	DIODE		1	
	D2911	1SS355W-X	DIODE		1	
	D2913	RB160M-60-X	SB DIODE		1	
	D2914	RB160M-60-X	SB DIODE		1	
	D2915	RB160M-60-X	SB DIODE		1	
	D2916	RB160M-60-X	SB DIODE		1	
	D2961	RKZ6.8B2KG-X	Z DIODE		1	
	D2962	RKZ6.8B2KG-X	Z DIODE		1	
	C2001	NDC31HJ-470X	C CAPACITOR	47pF 50V J	1	
	C2002	NDC31HJ-470X	C CAPACITOR	47pF 50V J	1	
	C2003	NDC31HJ-150X	C CAPACITOR	15pF 50V J	1	
	C2004	NDC31HJ-150X	C CAPACITOR	15pF 50V J	1	
	C2005	NCB31CK-104X	C CAPACITOR	0.1uF 16V	1	
	C2006	NDC31HJ-8R0X	C CAPACITOR	8pF 50V J	1	
	C2007	NDC31HJ-8R0X	C CAPACITOR	8pF 50V J	1	
	C2008	NCB31CK-105X	C CAPACITOR	1uF 16V K	1	
	C2009	NCB31CK-104X	C CAPACITOR	0.1uF 16V	1	
	C2011	NCB31HK-102X	C CAPACITOR	1000pF 50V K	1	
	C2015	NCB31CK-105X	C CAPACITOR	1uF 16V K	1	
	C2016	QEKJ0JM-227Z	E CAPACITOR	220uF 6.3V M	1	
	C2017	NCB31CK-105X	C CAPACITOR	1uF 16V K	1	
	C2018	NCB31EK-473X	C CAPACITOR	0.047uF 25V K	1	
	C2019	NCB31CK-104X	C CAPACITOR	0.1uF 16V	1	
	C2020	NCB31CK-104X	C CAPACITOR	0.1uF 16V	1	
	C2021	NCB31HK-103X	C CAPACITOR	0.01uF 50V K	1	
	C2023	NCB31CK-105X	C CAPACITOR	1uF 16V K	1	
	C2025	NCB31CK-105X	C CAPACITOR	1uF 16V K	1	
	C2026	NCB31CK-104X	C CAPACITOR	0.1uF 16V	1	
	C2032	NDC31HJ-101X	C CAPACITOR	100pF 50V J	1	
	C2033	NDC31HJ-101X	C CAPACITOR	100pF 50V J	1	
	C2301	QEKJ1CM-476Z-R	E CAPACITOR	47uF 16V M	1	
	C2303	QEKJ1CM-226Z	E CAPACITOR	22uF 16V M	1	
	C2304	NDC31HJ-471X	C CAPACITOR	470pF 50V J	1	
	C2305	NCB31HK-103X	C CAPACITOR	0.01uF 50V K	1	

MODEL	MARK	MODEL	MARK
KW-NT300J	A	KW-NT500HDTJ	B

Safe	Symbol No.	Parts No.	Parts Name	Description	QTY	Local
	C2306	QEKJ1EM-106Z-R	E CAPACITOR	10uF 25V M	1	
	C2307	QEKJ1HM-225Z-R	E CAPACITOR	2.2uF 50V M	1	
	C2308	QEKJ1HM-105Z	E CAPACITOR	1uF 50V M	1	
	C2310	NCB31CK-104X	C CAPACITOR	0.1uF 16V	1	
	C2315	QFVF1HJ-103Z	MF CAPACITOR	0.01uF 50V J	1	
	C2316	NDC31HJ-470X	C CAPACITOR	47pF 50V J	1	
	C2317	NCB31HK-471X	C CAPACITOR	470pF 50V K	1	
	C2318	NDC31HJ-470X	C CAPACITOR	47pF 50V J	1	
	C2319	QFVF1HJ-474Z	MF CAPACITOR	0.47uF 50V J	1	
	C2320	QFVF1HJ-474Z	MF CAPACITOR	0.47uF 50V J	1	
	C2322	QFVF1HJ-474Z	MF CAPACITOR	0.47uF 50V J	1	
	C2323	QFVF1HJ-474Z	MF CAPACITOR	0.47uF 50V J	1	
	C2334	NDC31HJ-101X	C CAPACITOR	100pF 50V J	1	
	C2335	NDC31HJ-101X	C CAPACITOR	100pF 50V J	1	
	C2336	NDC31HJ-101X	C CAPACITOR	100pF 50V J	1	
	C2337	NDC31HJ-101X	C CAPACITOR	100pF 50V J	1	
	C2338	NDC31HJ-101X	C CAPACITOR	100pF 50V J	1	
	C2339	NDC31HJ-101X	C CAPACITOR	100pF 50V J	1	
	C2340	NDC31HJ-101X	C CAPACITOR	100pF 50V J	1	
	C2341	NDC31HJ-101X	C CAPACITOR	100pF 50V J	1	
	C2343	NDC31HJ-470X	C CAPACITOR	47pF 50V J	1	
	C2344	NDC31HJ-470X	C CAPACITOR	47pF 50V J	1	
	C2345	NDC31HJ-470X	C CAPACITOR	47pF 50V J	1	
	C2346	NDC31HJ-470X	C CAPACITOR	47pF 50V J	1	
	C2347	QEKJ1CM-107Z	E CAPACITOR	100uF 16V M	1	
	C2348	QEKJ0JM-107Z	E CAPACITOR	100uF 6.3V M	1	
	C2349	NDC31HJ-470X	C CAPACITOR	47pF 50V J	1	
	C2350	NDC31HJ-470X	C CAPACITOR	47pF 50V J	1	
	C2351	NDC31HJ-470X	C CAPACITOR	47pF 50V J	1	
	C2352	NDC31HJ-470X	C CAPACITOR	47pF 50V J	1	
	C2353	NDC31HJ-470X	C CAPACITOR	47pF 50V J	1	
	C2411	QEKJ1CM-107Z-R	E CAPACITOR	100uF 16V M	1	
	C2412	QEKJ0JM-476Z-R	E CAPACITOR	47uF 6.3V M	1	
	C2413	NCB31CK-105X	C CAPACITOR	1uF 16V K	1	
	C2414	NCB31CK-105X	C CAPACITOR	1uF 16V K	1	
	C2415	NCB30JK-225X	C CAPACITOR	2.2uF 6.3V K	1	
	C2416	NCB31CK-105X	C CAPACITOR	1uF 16V K	1	
	C2417	NCB30JK-225X	C CAPACITOR	2.2uF 6.3V K	1	
	C2418	NCB31CK-105X	C CAPACITOR	1uF 16V K	1	
	C2446	NCB31CK-105X	C CAPACITOR	1uF 16V K	1	
	C2447	QEKJ1HM-475Z-R	E CAPACITOR	4.7uF 50V M	1	
	C2448	QEKJ1HM-475Z-R	E CAPACITOR	4.7uF 50V M	1	
	C2449	QEKJ1CM-107Z-R	E CAPACITOR	100uF 16V M	1	
	C2450	NDC31HJ-101X	C CAPACITOR	100pF 50V J	1	
	C2451	NDC31HJ-101X	C CAPACITOR	100pF 50V J	1	
	C2452	NDC31HJ-101X	C CAPACITOR	100pF 50V J	1	
	C2453	QEKJ0JM-107Z-R	E CAPACITOR	100uF 6.3V M	1	
	C2454	QEKJ0JM-107Z-R	E CAPACITOR	100uF 6.3V M	1	
	C2455	NDC31HJ-101X	C CAPACITOR	100pF 50V J	1	
	C2456	NDC31HJ-101X	C CAPACITOR	100pF 50V J	1	
	C2457	QEKJ1HM-475Z-R	E CAPACITOR	4.7uF 50V M	1	
	C2458	QEKJ1HM-475Z-R	E CAPACITOR	4.7uF 50V M	1	
	C2460	QEKJ1EM-106Z-R	E CAPACITOR	10uF 25V M	1	
	C2461	QEKJ1EM-106Z-R	E CAPACITOR	10uF 25V M	1	
	C2462	QEKJ1EM-106Z-R	E CAPACITOR	10uF 25V M	1	
	C2463	QEKJ1EM-106Z-R	E CAPACITOR	10uF 25V M	1	
	C2471	NCJ11EK-106X-R	C CAPACITOR	10uF 25V	1	
	C2472	NCJ11EK-106X-R	C CAPACITOR	10uF 25V	1	
	C2473	NCB31HK-103X	C CAPACITOR	0.01uF 50V K	1	
	C2474	NCB31HK-103X	C CAPACITOR	0.01uF 50V K	1	
	C2511	QEKJ1HM-475Z-R	E CAPACITOR	4.7uF 50V M	1	
	C2512	QEKJ1HM-475Z-R	E CAPACITOR	4.7uF 50V M	1	
	C2513	NDC31HJ-101X	C CAPACITOR	100pF 50V J	1	
	C2514	QEKJ1CM-107Z-R	E CAPACITOR	100uF 16V M	1	
	C2515	NDC31HJ-101X	C CAPACITOR	100pF 50V J	1	
	C2516	QEKJ1CM-476Z-R	E CAPACITOR	47uF 16V M	1	
	C2517	NDC31HJ-101X	C CAPACITOR	100pF 50V J	1	
	C2518	QEKJ1CM-107Z-R	E CAPACITOR	100uF 16V M	1	
	C2519	QEKJ1HM-105Z-R	E CAPACITOR	1uF 50V M	1	
	C2520	QEKJ1HM-105Z-R	E CAPACITOR	1uF 50V M	1	
	C2521	QEKJ1HM-105Z-R	E CAPACITOR	1uF 50V M	1	
	C2522	QEKJ1HM-105Z-R	E CAPACITOR	1uF 50V M	1	
	C2523	NDC31HJ-821X	C CAPACITOR	820pF 50V J	1	
	C2524	NDC31HJ-821X	C CAPACITOR	820pF 50V J	1	
	C2525	NDC31HJ-821X	C CAPACITOR	820pF 50V J	1	
	C2526	NDC31HJ-821X	C CAPACITOR	820pF 50V J	1	
	C2527	QEKJ1HM-105Z-R	E CAPACITOR	1uF 50V M	1	
	C2528	QEKJ1HM-105Z-R	E CAPACITOR	1uF 50V M	1	
	C2529	NDC31HJ-821X	C CAPACITOR	820pF 50V J	1	
	C2530	NDC31HJ-821X	C CAPACITOR	820pF 50V J	1	
	C2531	QEKJ1CM-107Z-R	E CAPACITOR	100uF 16V M	1	
	C2532	NCB31CK-105X	C CAPACITOR	1uF 16V K	1	
	C2533	NDC31HJ-100X	C CAPACITOR	10pF 50V J	1	
	C2534	NDC31HJ-100X	C CAPACITOR	10pF 50V J	1	
	C2535	QEKJ1CM-476Z-R	E CAPACITOR	47uF 16V M	1	
	C2536	NCB31CK-105X	C CAPACITOR	1uF 16V K	1	
	C2537	QEKJ1HM-105Z	E CAPACITOR	1uF 50V M	1	
	C2538	QEKJ1HM-105Z	E CAPACITOR	1uF 50V M	1	
	C2539	QEKJ1HM-105Z	E CAPACITOR	1uF 50V M	1	
	C2540	NCB31CK-105X	C CAPACITOR	1uF 16V K	1	
	C2541	NCJ11EK-106X-R	C CAPACITOR	10uF 25V	1	
	C2542	NCB31CK-105X	C CAPACITOR	1uF 16V K	1	

MODEL	MARK	MODEL	MARK
KW-NT300J	A	KW-NT500HDTJ	B

Safe	Symbol No.	Parts No.	Parts Name	Description	QTY	Local
	C2543	NCB31CK-473X	C CAPACITOR	0.047uF 16V K	1	
	C2544	NCB31CK-473X	C CAPACITOR	0.047uF 16V K	1	
	C2545	NDC31HJ-101X	C CAPACITOR	100pF 50V J	1	
	C2551	QEKJ1EM-106Z-R	E CAPACITOR	10uF 25V M	1	
	C2552	QEKJ1CM-107Z-R	E CAPACITOR	100uF 16V M	1	
	C2553	NDC31HJ-101X	C CAPACITOR	100pF 50V J	1	
	C2561	QEKJ1EM-106Z-R	E CAPACITOR	10uF 25V M	1	
	C2562	QEKJ1CM-107Z-R	E CAPACITOR	100uF 16V M	1	
	C2563	NDC31HJ-101X	C CAPACITOR	100pF 50V J	1	
	C2564	NCB31HK-103X	C CAPACITOR	0.01uF 50V K	1	
	C2641	NCB31CK-104X	C CAPACITOR	0.1uF 16V	1	
	C2721	NDC31HJ-471X	C CAPACITOR	470pF 50V J	1	
	C2722	NCB31HK-103X	C CAPACITOR	0.01uF 50V K	1	
	C2723	NCB31CK-474X	C CAPACITOR	0.47uF 16V K	1	
	C2724	NCB31CK-105X	C CAPACITOR	1uF 16V K	1	
	C2725	NCB31CK-105X	C CAPACITOR	1uF 16V K	1	
	C2811	QEKJ1CM-107Z	E CAPACITOR	100uF 16V M	1	
	C2812	NCB31CK-104X	C CAPACITOR	0.1uF 16V	1	
	C2813	NCB31HK-103X	C CAPACITOR	0.01uF 50V K	1	
	C2901	QEZ0937-278	E CAPACITOR	2700uF	1	
	C2903	NCB31CK-474X	C CAPACITOR	0.47uF 16V K	1	
	C2904	NCB31CK-104X	C CAPACITOR	0.1uF 16V	1	
	C2905	NCB31CK-334X	C CAPACITOR	0.33uF 16V K	1	
	C2906	NCB31CK-104X	C CAPACITOR	0.1uF 16V	1	
	C2907	NCB31HK-102X	C CAPACITOR	1000pF 50V K	1	
	C2908	NCB31HK-103X	C CAPACITOR	0.01uF 50V K	1	
	C2909	NCB31HK-472X	C CAPACITOR	4700pF 50V K	1	
	C2910	NCB31HK-472X	C CAPACITOR	4700pF 50V K	1	
	C2911	NCJ20JM-226X-A	C CAPACITOR	22uF 6.3V M	1	
	C2912	NCB31HK-103X	C CAPACITOR	0.01uF 50V K	1	
	C2915	QETM1EM-108	E CAPACITOR	1000uF 25V M	1	
	C2928	NCB31HK-103X	C CAPACITOR	0.01uF 50V K	1	
	C2929	NCB30JK-225X	C CAPACITOR	2.2uF 6.3V K	1	
	C2930	NCB30JK-225X	C CAPACITOR	2.2uF 6.3V K	1	
	C2931	NCB31HK-103X	C CAPACITOR	0.01uF 50V K	1	
	C2932	QEKJ1CM-107Z	E CAPACITOR	100uF 16V M	1	
	C2934	QEKJ0JM-227Z	E CAPACITOR	220uF 6.3V M	1	
	C2935	NCB31CK-104X	C CAPACITOR	0.1uF 16V	1	
	C2936	NCB31HK-103X	C CAPACITOR	0.01uF 50V K	1	
	C2937	NCB31HK-104X	C CAPACITOR	0.1uF 50V K	1	
	C2938	QEKJ1HM-225Z	E CAPACITOR	2.2uF 50V M	1	
	C2939	QEPF1HM-225Z	E CAPACITOR	2.2uF 50V M	1	
	C2940	QEKJ1EM-476Z	E CAPACITOR	47uF 25V M	1	
	C2941	QEKJ1EM-106Z	E CAPACITOR	10uF 25V M	1	
	C2942	QEKJ1EM-106Z	E CAPACITOR	10uF 25V M	1	
	C2943	QEKJ1CM-107Z	E CAPACITOR	100uF 16V M	1	
	C2945	NCB31HK-471X	C CAPACITOR	470pF 50V K	1	
	C2946	QEKJ1CM-107Z-R	E CAPACITOR	100uF 16V M	1	
	C2947	NCB31CK-334X	C CAPACITOR	0.33uF 16V K	1	
	C2948	QEKJ1CM-476Z	E CAPACITOR	47uF 16V M	1	
	C2949	NCB31HK-104X	C CAPACITOR	0.1uF 50V K	1	
	C2950	QEKJ1CM-476Z	E CAPACITOR	47uF 16V M	1	
	C2951	NCB31CK-334X	C CAPACITOR	0.33uF 16V K	1	
	C2952	NCB31CK-104X	C CAPACITOR	0.1uF 16V	1	
	C2953	NDC31HJ-470X	C CAPACITOR	47pF 50V J	1	
	C2954	NDC31HJ-470X	C CAPACITOR	47pF 50V J	1	
	C2955	NDC31HJ-470X	C CAPACITOR	47pF 50V J	1	
	R2001	NRSA63J-102X	MG RESISTOR	1kΩ 1/16W J	1	
	R2002	NRSA63J-102X	MG RESISTOR	1kΩ 1/16W J	1	
	R2003	NRSA63J-101X	MG RESISTOR	100Ω 1/16W J	1	
	R2004	NRSA63J-221X	MG RESISTOR	220Ω 1/16W J	1	
	R2009	NRSA63J-473X	MG RESISTOR	47kΩ 1/16W J	1	
	R2010	NRSA63J-102X	MG RESISTOR	1kΩ 1/16W J	1	
	R2012	NRSA63J-472X	MG RESISTOR	4.7kΩ 1/16W J	1	
	R2015	NRSA63J-102X	MG RESISTOR	1kΩ 1/16W J	1	
	R2016	NRSA63J-101X	MG RESISTOR	100Ω 1/16W J	1	
	R2017	NRSA63J-102X	MG RESISTOR	1kΩ 1/16W J	1	
	R2018	NRSA63J-102X	MG RESISTOR	1kΩ 1/16W J	1	
	R2019	NRSA63J-104X	MG RESISTOR	100kΩ 1/16W J	1	
	R2021	NRSA63J-102X	MG RESISTOR	1kΩ 1/16W J	1	
	R2022	NRSA63J-101X	MG RESISTOR	100Ω 1/16W J	1	
	R2023	NRSA63J-102X	MG RESISTOR	1kΩ 1/16W J	1	
	R2024	NRSA63J-102X	MG RESISTOR	1kΩ 1/16W J	1	
	R2025	NRSA63J-331X	MG RESISTOR	330Ω 1/16W J	1	
	R2026	NRSA63J-331X	MG RESISTOR	330Ω 1/16W J	1	
	R2027	NRSA63J-101X	MG RESISTOR	100Ω 1/16W J	1	
	R2028	NRSA63J-102X	MG RESISTOR	1kΩ 1/16W J	1	
	R2029	NRSA63J-102X	MG RESISTOR	1kΩ 1/16W J	1	
	R2030	NRSA63J-101X	MG RESISTOR	100Ω 1/16W J	1	
	R2031	NRSA63J-101X	MG RESISTOR	100Ω 1/16W J	1	
	R2032	NRSA63J-102X	MG RESISTOR	1kΩ 1/16W J	1	
	R2033	NRSA63J-101X	MG RESISTOR	100Ω 1/16W J	1	
	R2034	NRSA63J-101X	MG RESISTOR	100Ω 1/16W J	1	
	R2035	NRSA63J-102X	MG RESISTOR	1kΩ 1/16W J	1	
	R2036	NRSA63J-101X	MG RESISTOR	100Ω 1/16W J	1	
	R2037	NRSA63J-471X	MG RESISTOR	470Ω 1/16W J	1	
	R2038	NRSA63J-102X	MG RESISTOR	1kΩ 1/16W J	1	
	R2039	NRSA63J-102X	MG RESISTOR	1kΩ 1/16W J	1	
	R2040	NRSA63J-102X	MG RESISTOR	1kΩ 1/16W J	1	
	R2041	NRSA63J-272X	MG RESISTOR	2.7kΩ 1/16W J	1	
	R2042	NRSA63J-101X	MG RESISTOR	100Ω 1/16W J	1	
	R2043	NRSA63J-101X	MG RESISTOR	100Ω 1/16W J	1	

B

MODEL	MARK	MODEL	MARK
KW-NT300J	A	KW-NT500HDTJ	B

Safe	Symbol No.	Parts No.	Parts Name	Description	QTY	Local
	R2044	NRSA63J-102X	MG RESISTOR	1kΩ 1/16W J	1	
	R2045	NRSA63J-332X	MG RESISTOR	3.3kΩ 1/16W J	1	
	R2046	NRSA63J-103X	MG RESISTOR	10kΩ 1/16W J	1	B
	R2047	NRSA63J-102X	MG RESISTOR	1kΩ 1/16W J	1	
	R2048	NRSA63J-102X	MG RESISTOR	1kΩ 1/16W J	1	
	R2049	NRSA63J-101X	MG RESISTOR	100Ω 1/16W J	1	
	R2050	NRSA63J-101X	MG RESISTOR	100Ω 1/16W J	1	
	R2051	NRSA63J-101X	MG RESISTOR	100Ω 1/16W J	1	
	R2052	NRSA63J-101X	MG RESISTOR	100Ω 1/16W J	1	
	R2053	NRSA63J-102X	MG RESISTOR	1kΩ 1/16W J	1	
	R2054	NRSA63J-221X	MG RESISTOR	220Ω 1/16W J	1	
	R2055	NRSA63J-221X	MG RESISTOR	220Ω 1/16W J	1	
	R2056	NRSA63J-103X	MG RESISTOR	10kΩ 1/16W J	1	
	R2057	NRSA63J-101X	MG RESISTOR	100Ω 1/16W J	1	
	R2058	NRSA63J-102X	MG RESISTOR	1kΩ 1/16W J	1	
	R2059	NRSA63J-104X	MG RESISTOR	100kΩ 1/16W J	1	
	R2060	NRSA63J-222X	MG RESISTOR	2.2kΩ 1/16W J	1	
	R2061	NRSA63J-102X	MG RESISTOR	1kΩ 1/16W J	1	
	R2062	NRSA63J-473X	MG RESISTOR	47kΩ 1/16W J	1	
	R2063	NRSA63J-102X	MG RESISTOR	1kΩ 1/16W J	1	
	R2064	NRSA63J-102X	MG RESISTOR	1kΩ 1/16W J	1	
	R2065	NRSA63J-102X	MG RESISTOR	1kΩ 1/16W J	1	
	R2066	NRSA63J-101X	MG RESISTOR	100Ω 1/16W J	1	B
	R2067	NRSA63J-101X	MG RESISTOR	100Ω 1/16W J	1	B
	R2068	NRSA63J-101X	MG RESISTOR	100Ω 1/16W J	1	B
	R2069	NRSA63J-103X	MG RESISTOR	10kΩ 1/16W J	1	
	R2070	NRSA63J-103X	MG RESISTOR	10kΩ 1/16W J	1	
	R2071	NRSA63J-222X	MG RESISTOR	2.2kΩ 1/16W J	1	
	R2072	NRSA63J-221X	MG RESISTOR	220Ω 1/16W J	1	
	R2073	NRSA63J-102X	MG RESISTOR	1kΩ 1/16W J	1	
	R2074	NRSA63J-102X	MG RESISTOR	1kΩ 1/16W J	1	
	R2075	NRSA63J-102X	MG RESISTOR	1kΩ 1/16W J	1	
	R2076	NRSA63J-102X	MG RESISTOR	1kΩ 1/16W J	1	B
	R2078	NRSA63J-102X	MG RESISTOR	1kΩ 1/16W J	1	
	R2079	NRSA63J-102X	MG RESISTOR	1kΩ 1/16W J	1	
	R2080	NRSA63J-102X	MG RESISTOR	1kΩ 1/16W J	1	
	R2081	NRSA63J-101X	MG RESISTOR	100Ω 1/16W J	1	
	R2083	NRSA63J-123X	MG RESISTOR	12kΩ 1/16W J	1	
	R2084	NRSA63J-102X	MG RESISTOR	1kΩ 1/16W J	1	
	R2085	NRSA63J-102X	MG RESISTOR	1kΩ 1/16W J	1	
	R2086	NRSA63J-101X	MG RESISTOR	100Ω 1/16W J	1	
	R2087	NRSA63J-101X	MG RESISTOR	100Ω 1/16W J	1	
	R2088	NRSA63J-102X	MG RESISTOR	1kΩ 1/16W J	1	
	R2089	NRSA63J-101X	MG RESISTOR	100Ω 1/16W J	1	
	R2090	NRSA63J-101X	MG RESISTOR	100Ω 1/16W J	1	
	R2092	NRSA63J-101X	MG RESISTOR	100Ω 1/16W J	1	
	R2093	NRSA63J-102X	MG RESISTOR	1kΩ 1/16W J	1	
	R2094	NRSA63J-102X	MG RESISTOR	1kΩ 1/16W J	1	
	R2095	NRSA63J-102X	MG RESISTOR	1kΩ 1/16W J	1	
	R2096	NRSA63J-101X	MG RESISTOR	100Ω 1/16W J	1	
	R2097	NRSA63J-102X	MG RESISTOR	1kΩ 1/16W J	1	
	R2098	NRSA63J-102X	MG RESISTOR	1kΩ 1/16W J	1	
	R2099	NRSA63J-102X	MG RESISTOR	1kΩ 1/16W J	1	
	R2100	NRSA63J-101X	MG RESISTOR	100Ω 1/16W J	1	
	R2101	NRSA63J-101X	MG RESISTOR	100Ω 1/16W J	1	
	R2102	NRSA63J-222X	MG RESISTOR	2.2kΩ 1/16W J	1	
	R2103	NRSA63J-222X	MG RESISTOR	2.2kΩ 1/16W J	1	
	R2104	NRSA63J-101X	MG RESISTOR	100Ω 1/16W J	1	
	R2105	NRSA63J-101X	MG RESISTOR	100Ω 1/16W J	1	
	R2107	NRSA63J-101X	MG RESISTOR	100Ω 1/16W J	1	
	R2108	NRSA63J-102X	MG RESISTOR	1kΩ 1/16W J	1	
	R2110	NRSA63J-102X	MG RESISTOR	1kΩ 1/16W J	1	
	R2111	NRSA63J-331X	MG RESISTOR	330Ω 1/16W J	1	
	R2113	NRSA63J-106X	MG RESISTOR	10MΩ 1/16W J	1	
	R2116	NRSA63J-822X	MG RESISTOR	8.2kΩ 1/16W J	1	
	R2120	NRSA63J-472X	MG RESISTOR	4.7kΩ 1/16W J	1	
	R2124	NRSA63J-101X	MG RESISTOR	100Ω 1/16W J	1	
	R2125	NRSA63J-473X	MG RESISTOR	47kΩ 1/16W J	1	
	R2126	NRSA63J-473X	MG RESISTOR	47kΩ 1/16W J	1	
	R2127	NRSA63J-473X	MG RESISTOR	47kΩ 1/16W J	1	
	R2128	NRSA63J-103X	MG RESISTOR	10kΩ 1/16W J	1	
	R2129	NRSA63J-183X	MG RESISTOR	18kΩ 1/16W J	1	
	R2130	NRSA63J-272X	MG RESISTOR	2.7kΩ 1/16W J	1	
	R2131	NRSA63J-272X	MG RESISTOR	2.7kΩ 1/16W J	1	
	R2132	NRSA63J-104X	MG RESISTOR	100kΩ 1/16W J	1	
	R2137	NRSA63J-154X	MG RESISTOR	150kΩ 1/16W J	1	
	R2141	NRSA63J-103X	MG RESISTOR	10kΩ 1/16W J	1	
	R2142	NRSA63J-103X	MG RESISTOR	10kΩ 1/16W J	1	
	R2143	NRSA63J-103X	MG RESISTOR	10kΩ 1/16W J	1	
	R2151	NRSA63J-473X	MG RESISTOR	47kΩ 1/16W J	1	
	R2152	NRSA63J-184X	MG RESISTOR	180kΩ 1/16W J	1	
	R2153	NRSA63J-101X	MG RESISTOR	100Ω 1/16W J	1	
	R2154	NRSA63J-101X	MG RESISTOR	100Ω 1/16W J	1	
	R2159	NRSA63J-273X	MG RESISTOR	27kΩ 1/16W J	1	
	R2160	NRSA63J-473X	MG RESISTOR	47kΩ 1/16W J	1	
	R2161	NRSA63J-223X	MG RESISTOR	22kΩ 1/16W J	1	
	R2162	NRSA63J-102X	MG RESISTOR	1kΩ 1/16W J	1	
	R2173	NRSA63J-104X	MG RESISTOR	100kΩ 1/16W J	1	
	R2174	NRSA63J-101X	MG RESISTOR	100Ω 1/16W J	1	
	R2175	NRSA63J-104X	MG RESISTOR	100kΩ 1/16W J	1	
	R2311	NRSA63J-222X	MG RESISTOR	2.2kΩ 1/16W J	1	
	R2312	NRSA63J-822X	MG RESISTOR	8.2kΩ 1/16W J	1	
	R2313	NRSA63J-273X	MG RESISTOR	27kΩ 1/16W J	1	

MODEL	MARK	MODEL	MARK
KW-NT300J	A	KW-NT500HDTJ	B

Safe	Symbol No.	Parts No.	Parts Name	Description	QTY	Local
	R2314	NRSA63J-473X	MG RESISTOR	47kΩ 1/16W J	1	
	R2315	NRSA63J-473X	MG RESISTOR	47kΩ 1/16W J	1	
	R2316	NRSA63J-101X	MG RESISTOR	100Ω 1/16W J	1	
	R2317	NRSA63J-154X	MG RESISTOR	150kΩ 1/16W J	1	
	R2318	NRSA63J-101X	MG RESISTOR	100Ω 1/16W J	1	
	R2320	NRSA63J-330X	MG RESISTOR	33Ω 1/16W J	1	
	R2321	NRSA63J-103X	MG RESISTOR	10kΩ 1/16W J	1	
	R2326	NRSA63J-101X	MG RESISTOR	100Ω 1/16W J	1	
	R2442	NRSA63J-102X	MG RESISTOR	1kΩ 1/16W J	1	
	R2443	NRSA63J-102X	MG RESISTOR	1kΩ 1/16W J	1	
	R2444	NRSA63J-103X	MG RESISTOR	10kΩ 1/16W J	1	
	R2445	NRSA63J-473X	MG RESISTOR	47kΩ 1/16W J	1	
	R2446	NRSA63J-473X	MG RESISTOR	47kΩ 1/16W J	1	
	R2447	NRSA63J-472X	MG RESISTOR	4.7kΩ 1/16W J	1	
	R2448	NRSA63J-103X	MG RESISTOR	10kΩ 1/16W J	1	
	R2449	NRSA63J-103X	MG RESISTOR	10kΩ 1/16W J	1	
	R2450	NRSA63J-472X	MG RESISTOR	4.7kΩ 1/16W J	1	
	R2458	NRSA63J-472X	MG RESISTOR	4.7kΩ 1/16W J	1	
	R2459	NRSA63J-103X	MG RESISTOR	10kΩ 1/16W J	1	
	R2460	NRSA63J-103X	MG RESISTOR	10kΩ 1/16W J	1	
	R2461	NRSA63J-472X	MG RESISTOR	4.7kΩ 1/16W J	1	
	R2462	NRSA63J-473X	MG RESISTOR	47kΩ 1/16W J	1	
	R2463	NRSA63J-473X	MG RESISTOR	47kΩ 1/16W J	1	
	R2471	NRSA63J-473X	MG RESISTOR	47kΩ 1/16W J	1	
	R2472	NRSA63J-473X	MG RESISTOR	47kΩ 1/16W J	1	
	R2473	NRSA63J-821X	MG RESISTOR	820Ω 1/16W J	1	
	R2474	NRSA63J-821X	MG RESISTOR	820Ω 1/16W J	1	
	R2475	NRSA63J-181X	MG RESISTOR	180Ω 1/16W J	1	
	R2476	NRSA63J-181X	MG RESISTOR	180Ω 1/16W J	1	
	R2477	NRSA63J-152X	MG RESISTOR	1.5kΩ 1/16W J	1	
	R2478	NRSA63J-152X	MG RESISTOR	1.5kΩ 1/16W J	1	
	R2511	NRSA63J-122X	MG RESISTOR	1.2kΩ 1/16W J	1	
	R2512	NRSA63J-122X	MG RESISTOR	1.2kΩ 1/16W J	1	
	R2513	NRSA63J-122X	MG RESISTOR	1.2kΩ 1/16W J	1	
	R2514	NRSA63J-122X	MG RESISTOR	1.2kΩ 1/16W J	1	
	R2515	NRSA63J-122X	MG RESISTOR	1.2kΩ 1/16W J	1	
	R2516	NRSA63J-122X	MG RESISTOR	1.2kΩ 1/16W J	1	
	R2517	NRSA63J-101X	MG RESISTOR	100Ω 1/16W J	1	
	R2518	NRSA63J-101X	MG RESISTOR	100Ω 1/16W J	1	
	R2519	NRSA63J-101X	MG RESISTOR	100Ω 1/16W J	1	
	R2520	NRSA63J-101X	MG RESISTOR	100Ω 1/16W J	1	
	R2521	NRSA63J-101X	MG RESISTOR	100Ω 1/16W J	1	
	R2522	NRSA63J-101X	MG RESISTOR	100Ω 1/16W J	1	
	R2523	NRSA63J-101X	MG RESISTOR	100Ω 1/16W J	1	
	R2524	NRSA63J-101X	MG RESISTOR	100Ω 1/16W J	1	
	R2525	NRSA63J-101X	MG RESISTOR	100Ω 1/16W J	1	
	R2526	NRSA63J-105X	MG RESISTOR	1MΩ 1/16W J	1	
	R2527	NRSA63J-101X	MG RESISTOR	100Ω 1/16W J	1	
	R2528	NRSA63J-333X	MG RESISTOR	33kΩ 1/16W J	1	
	R2529	NRSA63J-683X	MG RESISTOR	68kΩ 1/16W J	1	
	R2530	NRSA63J-333X	MG RESISTOR	33kΩ 1/16W J	1	
	R2531	NRSA63J-471X	MG RESISTOR	470Ω 1/16W J	1	
	R2532	NRSA63J-104X	MG RESISTOR	100kΩ 1/16W J	1	
	R2533	NRSA63J-104X	MG RESISTOR	100kΩ 1/16W J	1	
	R2534	NRSA63J-101X	MG RESISTOR	100Ω 1/16W J	1	
	R2535	NRSA63J-470X	MG RESISTOR	47Ω 1/16W J	1	
	R2536	NRSA63J-101X	MG RESISTOR	100Ω 1/16W J	1	
	R2537	NRSA63J-471X	MG RESISTOR	470Ω 1/16W J	1	
	R2538	NRSA63J-104X	MG RESISTOR	100kΩ 1/16W J	1	
	R2539	NRSA63J-104X	MG RESISTOR	100kΩ 1/16W J	1	
	R2541	NRSA63J-473X	MG RESISTOR	47kΩ 1/16W J	1	
	R2551	NRSA63D-103X	MG RESISTOR	10kΩ 1/16W D	1	
	R2552	NRSA63D-153X	MG RESISTOR	15kΩ 1/16W D	1	
	R2642	NRSA63J-104X	MG RESISTOR	100kΩ 1/16W J	1	
	R2643	NRS181J-471X	MG RESISTOR	470Ω 1/8W J	1	
	R2644	NRS181J-471X	MG RESISTOR	470Ω 1/8W J	1	
	R2645	NRS181J-471X	MG RESISTOR	470Ω 1/8W J	1	
	R2651	NRSA63D-103X	MG RESISTOR	10kΩ 1/16W D	1	
	R2652	NRSA63D-203X	MG RESISTOR	20kΩ 1/16W D	1	
	R2653	NRSA63D-103X	MG RESISTOR	10kΩ 1/16W D	1	
	R2654	NRSA63D-203X	MG RESISTOR	20kΩ 1/16W D	1	
	R2655	NRSA63D-102X	MG RESISTOR	1kΩ 1/16W D	1	
	R2656	NRSA63D-102X	MG RESISTOR	1kΩ 1/16W D	1	
	R2657	NRSA63D-102X	MG RESISTOR	1kΩ 1/16W D	1	
	R2658	NRSA63D-102X	MG RESISTOR	1kΩ 1/16W D	1	
	R2711	NRSA63J-470X	MG RESISTOR	47Ω 1/16W J	1	
	R2712	NRSA63J-470X	MG RESISTOR	47Ω 1/16W J	1	
	R2713	NRSA63J-104X	MG RESISTOR	100kΩ 1/16W J	1	
	R2714	NRSA63J-472X	MG RESISTOR	4.7kΩ 1/16W J	1	
	R2715	NRSA63J-511X	MG RESISTOR	510Ω 1/16W J	1	
	R2716	NRSA63J-472X	MG RESISTOR	4.7kΩ 1/16W J	1	
	R2717	NRSA63J-511X	MG RESISTOR	510Ω 1/16W J	1	
	R2718	NRSA63J-102X	MG RESISTOR	1kΩ 1/16W J	1	
	R2719	NRSA63J-104X	MG RESISTOR	100kΩ 1/16W J	1	
	R2721	NRSA63J-102X	MG RESISTOR	1kΩ 1/16W J	1	
	R2722	NRSA63J-223X	MG RESISTOR	22kΩ 1/16W J	1	
	R2723	NRSA63J-562X	MG RESISTOR	5.6kΩ 1/16W J	1	
	R2724	NRSA63J-302X	MG RESISTOR	3kΩ 1/16W J	1	
	R2725	NRSA63J-182X	MG RESISTOR	1.8kΩ 1/16W J	1	
	R2726	NRSA63J-122X	MG RESISTOR	1.2kΩ 1/16W J	1	
	R2727	NRS181J-152X	MG RESISTOR	1.5kΩ 1/8W J	1	
	R2728	NRSA63J-562X	MG RESISTOR	5.6kΩ 1/16W J	1	

MODEL	MARK	MODEL	MARK
KW-NT300J	A	KW-NT500HDTJ	B

Safe	Symbol No.	Parts No.	Parts Name	Description	QTY	Local
	R2729	NRSA63J-302X	MG RESISTOR	3kΩ 1/16W J	1	
	R2730	NRSA63J-182X	MG RESISTOR	1.8kΩ 1/16W J	1	
	R2731	NRSA63J-122X	MG RESISTOR	1.2kΩ 1/16W J	1	
	R2732	NRS181J-152X	MG RESISTOR	1.5kΩ 1/8W J	1	
	R2733	NRSA63J-222X	MG RESISTOR	2.2kΩ 1/16W J	1	
	R2734	NRSA63J-473X	MG RESISTOR	47kΩ 1/16W J	1	
	R2735	NRSA63J-472X	MG RESISTOR	4.7kΩ 1/16W J	1	
	R2736	NRSA63J-102X	MG RESISTOR	1kΩ 1/16W J	1	
	R2737	NRSA63J-104X	MG RESISTOR	100kΩ 1/16W J	1	
	R2901	NRSA63J-273X	MG RESISTOR	27kΩ 1/16W J	1	
	R2902	NRSA63J-103X	MG RESISTOR	10kΩ 1/16W J	1	
	R2903	NRSA63J-103X	MG RESISTOR	10kΩ 1/16W J	1	
	R2904	NRSA63J-103X	MG RESISTOR	10kΩ 1/16W J	1	
	R2905	NRSA63J-101X	MG RESISTOR	100Ω 1/16W J	1	
	R2906	NRSA63J-101X	MG RESISTOR	100Ω 1/16W J	1	
	R2907	NRSA63J-101X	MG RESISTOR	100Ω 1/16W J	1	
	R2908	NRSA63J-224X	MG RESISTOR	220kΩ 1/16W J	1	
	R2909	NRSA63J-472X	MG RESISTOR	4.7kΩ 1/16W J	1	
	R2910	NRSA63J-105X	MG RESISTOR	1MΩ 1/16W J	1	
	R2911	NRSA63J-393X	MG RESISTOR	39kΩ 1/16W J	1	
	R2912	NRSA63J-472X	MG RESISTOR	4.7kΩ 1/16W J	1	
	R2913	NRSA63J-222X	MG RESISTOR	2.2kΩ 1/16W J	1	
	R2914	NRSA63J-182X	MG RESISTOR	1.8kΩ 1/16W J	1	
	R2915	NRSA63J-563X	MG RESISTOR	56kΩ 1/16W J	1	
	R2917	NRSA63J-563X	MG RESISTOR	56kΩ 1/16W J	1	
	R2918	NRSA63J-103X	MG RESISTOR	10kΩ 1/16W J	1	
	R2919	NRSA63J-103X	MG RESISTOR	10kΩ 1/16W J	1	
	R2920	NRSA63J-103X	MG RESISTOR	10kΩ 1/16W J	1	
	R2921	NRSA63J-103X	MG RESISTOR	10kΩ 1/16W J	1	
	R2922	NRSA63J-274X	MG RESISTOR	270kΩ 1/16W J	1	
	R2938	NRSA63J-272X	MG RESISTOR	2.7kΩ 1/16W J	1	
	R2939	NRSA63J-473X	MG RESISTOR	47kΩ 1/16W J	1	
	R2940	NRSA63J-102X	MG RESISTOR	1kΩ 1/16W J	1	
	R2941	NRSA63J-103X	MG RESISTOR	10kΩ 1/16W J	1	
	R2942	NRSA63J-473X	MG RESISTOR	47kΩ 1/16W J	1	
	R2943	NRSA63J-103X	MG RESISTOR	10kΩ 1/16W J	1	
	R2944	NRSA63J-622X	MG RESISTOR	6.2kΩ 1/10W	1	
	R2945	NRSA63J-472X	MG RESISTOR	4.7kΩ 1/16W J	1	
	R2948	NRS181J-472X	MG RESISTOR	4.7kΩ 1/8W J	1	
	R2950	NRS181J-332X	MG RESISTOR	3.3kΩ 1/8W J	1	
	R2952	NRS181J-682X	MG RESISTOR	6.8kΩ 1/8W J	1	
	R2953	NRS181J-682X	MG RESISTOR	6.8kΩ 1/8W J	1	
	R2961	NRSA63D-103X	MG RESISTOR	10kΩ 1/16W D	1	
	R2962	NRSA63D-622X	MG RESISTOR	6.2kΩ 1/16W D	1	
	R2963	NRSA63D-103X	MG RESISTOR	10kΩ 1/16W D	1	
	R2964	NRSA63D-104X	MG RESISTOR	100kΩ 1/16W D	1	
	R2965	NRSA63D-513X	MG RESISTOR	51kΩ 1/16W D	1	
	R2966	NRSA63D-683X	MG RESISTOR	68kΩ 1/16W D	1	
	L2001	NQL79GM-470X	COIL	47uH M	1	
	L2901	QQR0703-001	CHOKE COIL		1	
	L2903	NQL79GM-101X	COIL	100uH M	1	
	CN241	QGA2001C7-04X	CONNECTOR	W-B (1-4)	1	
	CN263	QGF0536C3-20W	CONNECTOR	FFC/FPC (1-20)	1	
	CN264	QNZ0907-001	CIR CONNECTOR		1	
	CN265	QGA2013F3-05	CONNECTOR	W-B (1-5)	1	
	CN271	QGA2001C7-02X	CONNECTOR	W-B (1-2)	1	
	CN291	QNZ1064-001	CAR CONNECTOR		1	
	CN292	QGB0815K3-60X	CONNECTOR	B-B (1-60)	1	
	CN293	QGB0815K3-80X	CONNECTOR	B-B (1-80)	1	
	F2900	QMFZ064-150-J1	FUSE	15A	1	
△	F2902	NMFZ018-5R0X-E	FUSE	5A	1	
	J271	QNS0301-002	3.5 JACK		1	
	VA241	NAF0027-002X	VARIATOR(ZNR)		1	
	VA242	NAF0027-002X	VARIATOR(ZNR)		1	
	VA265	NAF0027-002X	VARIATOR(ZNR)		1	
	VA266	NAF0027-002X	VARIATOR(ZNR)		1	
	VA267	NAF0027-002X	VARIATOR(ZNR)		1	
	VA268	NAF0027-002X	VARIATOR(ZNR)		1	
	VA271	NAF0027-002X	VARIATOR(ZNR)		1	
	VA272	NAF0027-002X	VARIATOR(ZNR)		1	
	VA291	NAF0027-002X	VARIATOR(ZNR)		1	
	X2001	QAX0401-001	CRYSTAL	32.768KHz	1	
	X2002	NAX1137-001X	CRYSTAL		1	
	X2511	NAX1172-001X	CRYSTAL		1	
	SUB UNIT <02>					
	IC301	BD9781HFP-W	IC		1	
	IC302	BD9781HFP-W	IC		1	
	IC303	BD9781HFP-W	IC		1	
	IC305	NJM2855DL1-33-X	IC		1	
	IC306	NJM2387ADL3-X	IC		1	
	IC307	NJM2855DL1-05-X	IC		1	
	IC311	NJM2871BF05-X	IC		1	
	IC321	LT1947EMSE-X	IC		1	
	IC341	NJM2505AF-X	IC		1	
	IC342	NJM2535V-X	IC		1	
	IC343	NJM2561F1-X	IC		1	
	IC344	NJM2535V-X	IC		1	
	IC345	NJM2561F1-X	IC		1	
	IC361	KTC812T-X	PAIR TRANSISTOR		1	
	IC361 or	IMX9-W	PAIR TRANSISTOR		1	
	IC365	KTC812T-X	PAIR TRANSISTOR		1	
	IC365 or	IMX9-W	PAIR TRANSISTOR		1	

MODEL	MARK	MODEL	MARK
KW-NT300J	A	KW-NT500HDTJ	B

Safe	Symbol No.	Parts No.	Parts Name	Description	QTY	Local
	IC371	NJM4565E-X	IC		1	
	IC381	BA3131FS-X	IC		1	
	Q3211	RT1N141U-X	DIGI TRANSISTOR		1	
	Q3212	2SC4154/EF-X	TRANSISTOR		1	
	Q3213	KTA1664/OY/-X	TRANSISTOR		1	
	Q3213	or 2SB1132/QR/-W	TRANSISTOR		1	
	Q3711	2SC1623A/5-6/-X	TRANSISTOR		1	
	Q3712	RT1P441C-X	DIGI TRANSISTOR		1	
	Q3713	RT1N141C-X	DIGI TRANSISTOR		1	
	Q3951	RT1P441C-X	DIGI TRANSISTOR		1	
	Q3952	RT1N141C-X	DIGI TRANSISTOR		1	
	D3011	RB050L-40-X	DIODE		1	
	D3021	RB050L-40-X	DIODE		1	
	D3031	RB050L-40-X	DIODE		1	
	D3211	RB161L-40-X	SB DIODE		1	
	D3212	RB161L-40-X	SB DIODE		1	
	D3213	RB161L-40-X	SB DIODE		1	
	D3215	RB055L-40-X	SB DIODE		1	
	D3216	CRS03-W	SB DIODE		1	
	D3421	RKZ6.2B2KG-X	Z DIODE		1	
	D3422	RKZ6.2B2KG-X	Z DIODE		1	
	D3451	RKZ6.2B2KG-X	Z DIODE		1	
	D3511	1SS355W-X	DIODE		1	
	D3512	1SS355W-X	DIODE		1	
	D3611	1SS355W-X	DIODE		1	
	D3612	1SS355W-X	DIODE		1	
	D3651	1SS355W-X	DIODE		1	
	D3652	1SS355W-X	DIODE		1	
	D3711	RKZ11B2KG-X	Z DIODE		1	
	D3751	RKZ11B2KG-X	Z DIODE		1	
	D3801	CRS03-W	SB DIODE		1	
	D3931	CRS03-W	SB DIODE		1	
	D3932	CRS03-W	SB DIODE		1	
	D3933	CRS03-W	SB DIODE		1	
	D3934	CRS03-W	SB DIODE		1	
	D3935	CRS03-W	SB DIODE		1	
	C3011	QERF1EM-107Z	E CAPACITOR	100uF 25V M	1	
	C3014	NCB31HK-222X	C CAPACITOR	2200pF 50V K	1	
	C3015	NCB31CK-104X	C CAPACITOR	0.1uF 16V	1	
	C3016	NCJ11EK-106X-R	C CAPACITOR	10uF 25V	1	
	C3017	NCJ41CK-476X-A	C CAPACITOR	47uF 16V K	1	
	C3018	QEKJ1AM-227Z	E CAPACITOR	220uF 10V M	1	
	C3021	QERF1EM-107Z	E CAPACITOR	100uF 25V M	1	
	C3023	NDC31HJ-471X	C CAPACITOR	470pF 50V J	1	
	C3024	NCB31HK-222X	C CAPACITOR	2200pF 50V K	1	
	C3025	NCB31CK-104X	C CAPACITOR	0.1uF 16V	1	
	C3026	NCJ11EK-106X-R	C CAPACITOR	10uF 25V	1	
	C3027	NCJ41CK-476X-A	C CAPACITOR	47uF 16V K	1	
	C3028	QEKJ1AM-227Z	E CAPACITOR	220uF 10V M	1	
	C3031	QERF1EM-107Z	E CAPACITOR	100uF 25V M	1	
	C3034	NCB31HK-222X	C CAPACITOR	2200pF 50V K	1	
	C3035	NCB31CK-104X	C CAPACITOR	0.1uF 16V	1	
	C3036	NCJ11EK-106X-R	C CAPACITOR	10uF 25V	1	
	C3037	NCJ41CK-476X-A	C CAPACITOR	47uF 16V K	1	
	C3038	QEZ0953-227Z	OS E CAPACITOR	220uF	1	
	C3051	NCB31CK-104X	C CAPACITOR	0.1uF 16V	1	
	C3052	NCJ41CK-476X-A	C CAPACITOR	47uF 16V K	1	
	C3053	NCJ21CK-475X-R	C CAPACITOR	4.7uF 16V K	1	
	C3061	NCB31CK-104X	C CAPACITOR	0.1uF 16V	1	
	C3062	NCJ41CK-476X-A	C CAPACITOR	47uF 16V K	1	
	C3063	NCJ21CK-475X-R	C CAPACITOR	4.7uF 16V K	1	
	C3071	NCB31CK-104X	C CAPACITOR	0.1uF 16V	1	
	C3072	NCJ41CK-476X-A	C CAPACITOR	47uF 16V K	1	
	C3073	NCJ21CK-475X-R	C CAPACITOR	4.7uF 16V K	1	
	C3111	NCB31HK-103X	C CAPACITOR	0.01uF 50V K	1	
	C3112	NCB31AK-105X	C CAPACITOR	1uF 10V K	1	
	C3113	QEKJ1CM-107Z	E CAPACITOR	100uF 16V M	1	
	C3114	QEKJ1EM-106Z	E CAPACITOR	10uF 25V M	1	
	C3201	NCJ11EK-106X-R	C CAPACITOR	10uF 25V	1	
	C3202	NCJ11EK-106X-R	C CAPACITOR	10uF 25V	1	
	C3203	NCJ41CK-476X-A	C CAPACITOR	47uF 16V K	1	
	C3211	NDC31HJ-151X	C CAPACITOR	150pF 50V J	1	
	C3212	NDC31HJ-101X	C CAPACITOR	100pF 50V J	1	
	C3213	NCB31CK-104X	C CAPACITOR	0.1uF 16V	1	
	C3214	NCB31CK-224X	C CAPACITOR	0.22uF 16V K	1	
	C3215	NCJ11EK-106X-R	C CAPACITOR	10uF 25V	1	
	C3217	NCJ11EK-106X-R	C CAPACITOR	10uF 25V	1	
	C3218	NCJ11EK-106X-R	C CAPACITOR	10uF 25V	1	
	C3219	NCJ11EK-106X-R	C CAPACITOR	10uF 25V	1	
	C3220	NCJ11EK-106X-R	C CAPACITOR	10uF 25V	1	
	C3221	NCB31HK-103X	C CAPACITOR	0.01uF 50V K	1	
	C3222	NCJ11EK-106X-R	C CAPACITOR	10uF 25V	1	
	C3225	NCB31CK-105X	C CAPACITOR	1uF 16V K	1	
	C3226	NCB31HK-103X	C CAPACITOR	0.01uF 50V K	1	
	C3227	NCB31HK-104X	C CAPACITOR	0.1uF 50V K	1	
	C3228	NCJ11EK-106X-R	C CAPACITOR	10uF 25V	1	
	C3229	NCB31HK-104X	C CAPACITOR	0.1uF 50V K	1	
	C3230	NCJ11EK-106X-R	C CAPACITOR	10uF 25V	1	
	C3231	NCJ11EK-106X-R	C CAPACITOR	10uF 25V	1	
	C3232	NCJ11EK-106X-R	C CAPACITOR	10uF 25V	1	
	C3233	NCB31HK-103X	C CAPACITOR	0.01uF 50V K	1	
	C3234	NCB31HK-104X	C CAPACITOR	0.1uF 50V K	1	

MODEL	MARK	MODEL	MARK
KW-NT300J	A	KW-NT500HDTJ	B

Safe	Symbol No.	Parts No.	Parts Name	Description	QTY	Local
	C3235	NCJ11EK-106X-R	C CAPACITOR	10uF 25V	1	
	C3236	NCB31HK-103X	C CAPACITOR	0.01uF 50V K	1	
	C3237	NCB31HK-104X	C CAPACITOR	0.1uF 50V K	1	
	C3238	NCJ11EK-106X-R	C CAPACITOR	10uF 25V	1	
	C3239	NCB31HK-104X	C CAPACITOR	0.1uF 50V K	1	
	C3240	NCB31HK-104X	C CAPACITOR	0.1uF 50V K	1	
	C3241	NCJ11EK-106X-R	C CAPACITOR	10uF 25V	1	
	C3315	NCB31CK-105X	C CAPACITOR	1uF 16V K	1	
	C3411	NCB30JK-225X	C CAPACITOR	2.2uF 6.3V K	1	
	C3412	NCJ21CK-106X-R	C CAPACITOR	10uF 16V K	1	
	C3413	NDC31HJ-470X	C CAPACITOR	47pF 50V J	1	
	C3421	NCB30JK-225X	C CAPACITOR	2.2uF 6.3V K	1	
	C3422	NCB31CK-105X	C CAPACITOR	1uF 16V K	1	
	C3423	NCB31CK-105X	C CAPACITOR	1uF 16V K	1	
	C3424	NCB31CK-105X	C CAPACITOR	1uF 16V K	1	
	C3425	NCB31HK-104X	C CAPACITOR	0.1uF 50V K	1	
	C3426	NCB31CK-105X	C CAPACITOR	1uF 16V K	1	
	C3431	QEKJ0JM-337Z	E CAPACITOR	330uF 6.3V M	1	
	C3435	NCB31CK-104X	C CAPACITOR	0.1uF 16V	1	
	C3441	NCB31CK-105X	C CAPACITOR	1uF 16V K	1	
	C3442	NCB31CK-105X	C CAPACITOR	1uF 16V K	1	
	C3443	NCB31CK-105X	C CAPACITOR	1uF 16V K	1	
	C3444	NCB31HK-104X	C CAPACITOR	0.1uF 50V K	1	
	C3445	QEKJ1CM-476Z	E CAPACITOR	47uF 16V M	1	
	C3446	NCB31CK-105X	C CAPACITOR	1uF 16V K	1	
	C3451	QEKJ0JM-337Z	E CAPACITOR	330uF 6.3V M	1	
	C3452	NCB31HK-104X	C CAPACITOR	0.1uF 50V K	1	
	C3511	NDC31HJ-470X	C CAPACITOR	47pF 50V J	1	
	C3512	NDC31HJ-470X	C CAPACITOR	47pF 50V J	1	
	C3513	NDC31HJ-470X	C CAPACITOR	47pF 50V J	1	
	C3514	NCB31CK-473X	C CAPACITOR	0.047uF 16V K	1	
	C3712	NCB31CK-105X	C CAPACITOR	1uF 16V K	1	
	C3713	NDC31HJ-561X	C CAPACITOR	560pF 50V J	1	
	C3714	NCB31CK-104X	C CAPACITOR	0.1uF 16V	1	
	C3715	QEKJ1CM-476Z	E CAPACITOR	47uF 16V M	1	
	C3716	NCB31HK-333X	C CAPACITOR	0.033uF 50V K	1	
	C3717	NCB31HK-333X	C CAPACITOR	0.033uF 50V K	1	
	C3718	NCB31CK-105X	C CAPACITOR	1uF 16V K	1	
	C3719	QEKJ1CM-107Z	E CAPACITOR	100uF 16V M	1	
	C3751	NDC31HJ-101X	C CAPACITOR	100pF 50V J	1	
	C3752	NCB31CK-105X	C CAPACITOR	1uF 16V K	1	
	C3753	NDC31HJ-561X	C CAPACITOR	560pF 50V J	1	
	C3754	NCB31CK-104X	C CAPACITOR	0.1uF 16V	1	
	C3801	NCB11CK-225X	C CAPACITOR	2.2uF 16V K	1	
	C3802	NCB11CK-225X	C CAPACITOR	2.2uF 16V K	1	
	C3803	NCB31CK-474X	C CAPACITOR	0.47uF 16V K	1	
	C3804	NCB31CK-105X	C CAPACITOR	1uF 16V K	1	
	C3805	NCB31CK-105X	C CAPACITOR	1uF 16V K	1	
	C3806	NDC31HJ-680X	C CAPACITOR	68pF 50V J	1	
	C3807	NDC31HJ-680X	C CAPACITOR	68pF 50V J	1	
	C3809	NCB31CK-474X	C CAPACITOR	0.47uF 16V K	1	
	C3811	NCJ41CK-476X-A	C CAPACITOR	47uF 16V K	1	
	C3814	NCB31HK-471X	C CAPACITOR	470pF 50V K	1	
	C3815	NCJ41CK-476X-A	C CAPACITOR	47uF 16V K	1	
	C3816	NCJ21CK-106X-R	C CAPACITOR	10uF 16V K	1	
	C3851	NCB11CK-225X	C CAPACITOR	2.2uF 16V K	1	
	C3852	NCB11CK-225X	C CAPACITOR	2.2uF 16V K	1	
	C3853	NCB31CK-474X	C CAPACITOR	0.47uF 16V K	1	
	C3854	NCB31CK-105X	C CAPACITOR	1uF 16V K	1	
	C3855	NCB31CK-105X	C CAPACITOR	1uF 16V K	1	
	C3856	NDC31HJ-680X	C CAPACITOR	68pF 50V J	1	
	C3857	NDC31HJ-680X	C CAPACITOR	68pF 50V J	1	
	C3859	NCB31CK-474X	C CAPACITOR	0.47uF 16V K	1	
	C3931	NCJ41CK-476X-A	C CAPACITOR	47uF 16V K	1	
	C3932	NCJ41CK-476X-A	C CAPACITOR	47uF 16V K	1	
	C3933	NCJ41CK-476X-A	C CAPACITOR	47uF 16V K	1	
	C3934	NCJ41CK-476X-A	C CAPACITOR	47uF 16V K	1	
	C3951	QE20949-567Z	OS E CAPACITOR	560uF	1	
	C3952	QE20949-567Z	OS E CAPACITOR	560uF	1	
	R3011	NRSA63J-753X	MG RESISTOR	75kΩ 1/16W J	1	
	R3012	NRSA63D-153X	MG RESISTOR	15kΩ 1/16W D	1	
	R3013	NRSA63D-753X	MG RESISTOR	75kΩ 1/16W D	1	
	R3014	NRSA63D-104X	MG RESISTOR	100kΩ 1/16W D	1	
	R3021	NRSA63J-753X	MG RESISTOR	75kΩ 1/16W J	1	
	R3022	NRSA63D-153X	MG RESISTOR	15kΩ 1/16W D	1	
	R3023	NRSA63D-753X	MG RESISTOR	75kΩ 1/16W D	1	
	R3024	NRSA63D-104X	MG RESISTOR	100kΩ 1/16W D	1	
	R3031	NRSA63J-124X	MG RESISTOR	120kΩ 1/16W J	1	
	R3032	NRSA63D-103X	MG RESISTOR	10kΩ 1/16W D	1	
	R3033	NRSA63D-303X	MG RESISTOR	30kΩ 1/16W D	1	
	R3034	NRSA63D-104X	MG RESISTOR	100kΩ 1/16W D	1	
	R3061	NRSA63D-102X	MG RESISTOR	1kΩ 1/16W D	1	
	R3062	NRSA63D-222X	MG RESISTOR	2.2kΩ 1/16W D	1	
	R3211	NRSA63D-123X	MG RESISTOR	12kΩ 1/16W D	1	
	R3212	NRSA63D-114X	MG RESISTOR	110kΩ 1/16W D	1	
	R3213	NRSA63D-822X	MG RESISTOR	8.2kΩ 1/16W D	1	
	R3214	NRSA63D-114X	MG RESISTOR	110kΩ 1/16W D	1	
	R3215	NRSA63J-101X	MG RESISTOR	100Ω 1/16W J	1	
	R3218	NRSA63J-224X	MG RESISTOR	220kΩ 1/16W J	1	
	R3219	NRSA63D-103X	MG RESISTOR	10kΩ 1/16W D	1	
	R3220	NRSA63D-113X	MG RESISTOR	11kΩ 1/16W D	1	
	R3221	NRSA63J-472X	MG RESISTOR	4.7kΩ 1/16W J	1	

MODEL	MARK	MODEL	MARK
KW-NT300J	A	KW-NT500HDTJ	B

Safe	Symbol No.	Parts No.	Parts Name	Description	QTY	Local
	R3222	NRSA63J-472X	MG RESISTOR	4.7kΩ 1/16W J	1	
	R3223	NRS181J-222X	MG RESISTOR	2.2kΩ 1/8W J	1	
	R3224	NRS181J-222X	MG RESISTOR	2.2kΩ 1/8W J	1	
	R3411	NRSA63J-101X	MG RESISTOR	100Ω 1/16W J	1	
	R3421	NRSA63J-101X	MG RESISTOR	100Ω 1/16W J	1	
	R3431	NRSA63J-750X	MG RESISTOR	75Ω 1/16W J	1	
	R3441	NRSA63J-152X	MG RESISTOR	1.5kΩ 1/16W J	1	
	R3442	NRSA63J-181X	MG RESISTOR	180Ω 1/16W J	1	
	R3451	NRSA63J-750X	MG RESISTOR	75Ω 1/16W J	1	
	R3511	NRSA63J-104X	MG RESISTOR	100kΩ 1/16W J	1	
	R3512	NRSA63J-104X	MG RESISTOR	100kΩ 1/16W J	1	
	R3611	NRSA63J-181X	MG RESISTOR	180Ω 1/16W J	1	
	R3612	NRSA63J-181X	MG RESISTOR	180Ω 1/16W J	1	
	R3613	NRSA63J-821X	MG RESISTOR	820Ω 1/16W J	1	
	R3614	NRSA63J-821X	MG RESISTOR	820Ω 1/16W J	1	
	R3615	NRSA63J-152X	MG RESISTOR	1.5kΩ 1/16W J	1	
	R3616	NRSA63J-152X	MG RESISTOR	1.5kΩ 1/16W J	1	
	R3651	NRSA63J-181X	MG RESISTOR	180Ω 1/16W J	1	
	R3652	NRSA63J-181X	MG RESISTOR	180Ω 1/16W J	1	
	R3653	NRSA63J-821X	MG RESISTOR	820Ω 1/16W J	1	
	R3654	NRSA63J-821X	MG RESISTOR	820Ω 1/16W J	1	
	R3655	NRSA63J-152X	MG RESISTOR	1.5kΩ 1/16W J	1	
	R3656	NRSA63J-152X	MG RESISTOR	1.5kΩ 1/16W J	1	
	R3660	NRSA63J-471X	MG RESISTOR	470Ω 1/16W J	1	
	R3661	NRSA63J-471X	MG RESISTOR	470Ω 1/16W J	1	
	R3711	NRSA63J-822X	MG RESISTOR	8.2kΩ 1/16W J	1	
	R3712	NRSA63J-122X	MG RESISTOR	1.2kΩ 1/16W J	1	
	R3713	NRSA63J-333X	MG RESISTOR	33kΩ 1/16W J	1	
	R3714	NRSA63J-680X	MG RESISTOR	68Ω 1/16W J	1	
	R3715	NRSA63J-223X	MG RESISTOR	22kΩ 1/16W J	1	
	R3716	NRSA63J-223X	MG RESISTOR	22kΩ 1/16W J	1	
	R3717	NRSA63J-333X	MG RESISTOR	33kΩ 1/16W J	1	
	R3718	NRSA63J-822X	MG RESISTOR	8.2kΩ 1/16W J	1	
	R3719	NRSA63J-102X	MG RESISTOR	1kΩ 1/16W J	1	
	R3720	NRSA63J-103X	MG RESISTOR	10kΩ 1/16W J	1	
	R3751	NRSA63J-822X	MG RESISTOR	8.2kΩ 1/16W J	1	
	R3752	NRSA63J-122X	MG RESISTOR	1.2kΩ 1/16W J	1	
	R3753	NRSA63J-333X	MG RESISTOR	33kΩ 1/16W J	1	
	R3754	NRSA63J-680X	MG RESISTOR	68Ω 1/16W J	1	
	R3801	NRSA63J-123X	MG RESISTOR	12kΩ 1/16W J	1	
	R3802	NRSA63J-123X	MG RESISTOR	12kΩ 1/16W J	1	
	R3803	NRSA63J-223X	MG RESISTOR	22kΩ 1/16W J	1	
	R3804	NRSA63J-223X	MG RESISTOR	22kΩ 1/16W J	1	
	R3805	NRSA63J-223X	MG RESISTOR	22kΩ 1/16W J	1	
	R3806	NRSA63J-223X	MG RESISTOR	22kΩ 1/16W J	1	
	R3807	NRSA63J-223X	MG RESISTOR	22kΩ 1/16W J	1	
	R3808	NRSA63J-223X	MG RESISTOR	22kΩ 1/16W J	1	
	R3809	NRSA63J-223X	MG RESISTOR	22kΩ 1/16W J	1	
	R3810	NRSA63J-223X	MG RESISTOR	22kΩ 1/16W J	1	
	R3811	NRSA63J-472X	MG RESISTOR	4.7kΩ 1/16W J	1	
	R3812	NRSA63J-472X	MG RESISTOR	4.7kΩ 1/16W J	1	
	R3813	NRSA63D-473X	MG RESISTOR	47kΩ 1/16W D	1	
	R3851	NRSA63J-123X	MG RESISTOR	12kΩ 1/16W J	1	
	R3852	NRSA63J-123X	MG RESISTOR	12kΩ 1/16W J	1	
	R3853	NRSA63J-223X	MG RESISTOR	22kΩ 1/16W J	1	
	R3854	NRSA63J-223X	MG RESISTOR	22kΩ 1/16W J	1	
	R3855	NRSA63J-223X	MG RESISTOR	22kΩ 1/16W J	1	
	R3856	NRSA63J-223X	MG RESISTOR	22kΩ 1/16W J	1	
	R3857	NRSA63J-223X	MG RESISTOR	22kΩ 1/16W J	1	
	R3858	NRSA63J-223X	MG RESISTOR	22kΩ 1/16W J	1	
	R3859	NRSA63J-223X	MG RESISTOR	22kΩ 1/16W J	1	
	R3860	NRSA63J-223X	MG RESISTOR	22kΩ 1/16W J	1	
	R3861	NRSA63J-472X	MG RESISTOR	4.7kΩ 1/16W J	1	
	R3862	NRSA63J-472X	MG RESISTOR	4.7kΩ 1/16W J	1	
	R3911	NRSA63J-471X	MG RESISTOR	470Ω 1/16W J	1	
	R3951	NRS181J-680X	MG RESISTOR	68Ω 1/8W J	1	
	RA341	NRB04DJ-301X	NET RESISTOR	300Ω J	1	
	RA342	NRB04DJ-301X	NET RESISTOR	300Ω J	1	
	RA343	NRB04DJ-301X	NET RESISTOR	300Ω J	1	
	L3001	NQLC8CM-220X	COIL	22uH M	1	
	L3011	NQL71EM-220X	COIL	22uH M	1	
	L3021	NQL71EM-220X	COIL	22uH M	1	
	L3031	NQL71EM-330X	COIL	33uH M	1	
	L3111	NQL79GM-470X	COIL	47uH M	1	
	L3201	NQL79GM-4R7X	COIL	4.7uH M	1	
	L3211	NQLG4EM-220X	COIL	22uH M	1	
	L3212	NQL79GM-220X	COIL	22uH M	1	
	L3213	NQL79GM-100X	COIL	10uH M	1	
	L3214	NQL79GM-100X	COIL	10uH M	1	
	L3215	NQL79GM-100X	COIL	10uH M	1	
	L3411	NQL79GM-470X	COIL	47uH M	1	
	L3711	NQL79GM-470X	COIL	47uH M	1	
	L3801	NQL79GM-4R7X	COIL	4.7uH M	1	
	CN311	QGA1217C2-06X	CONNECTOR	W-B (1-6)	1	
	CN331	QGA2001F6-02X	CONNECTOR	W-B (1-2)	1	
	CN351	QGA2015F1-20	CONNECTOR	W-B (1-20)	1	
	CN391	QGB0815K3-80X	CONNECTOR	B-B (1-80)	1	
	CN392	QGB0815K3-60X	CONNECTOR	B-B (1-60)	1	
	CN393	QGF0534F2-50X	CONNECTOR	FFC/FPC (1-50)	1	
	CN395	QGB0812M8-80X	CONNECTOR	B-B (1-80)	1	
	CN396	QGB0816M1-40X	CONNECTOR	B-B (1-40)	1	
△	F3021	NMFZ018-3R0X-E	FUSE	3A	1	
△	F3201	NMFZ018-1R5X-E	FUSE	1.5A	1	

MODEL	MARK	MODEL	MARK
KW-NT300J	A	KW-NT500HDTJ	B

Safe	Symbol No.	Parts No.	Parts Name	Description	QTY	Local
	J341	QNS0310-001	3.5 JACK		1	
	J371	QNS0301-002	3.5 JACK		1	
	K3711	NRSA63J-0R0X	MG RESISTOR	0Ω 1/10W J	1	
	K3751	NRSA63J-0R0X	MG RESISTOR	0Ω 1/10W J	1	
	VA351	NAF0027-002X	VARIATOR(ZNR)		1	
	VA352	NAF0027-002X	VARIATOR(ZNR)		1	
	VA353	NAF0027-002X	VARIATOR(ZNR)		1	
	VA354	NAF0027-002X	VARIATOR(ZNR)		1	
	VA355	NAF0027-002X	VARIATOR(ZNR)		1	
	VA356	NAF0027-002X	VARIATOR(ZNR)		1	
	VA357	NAF0027-002X	VARIATOR(ZNR)		1	
FRONT UNIT <05>						
	IC401	NAL0066-001X	GYRO SENSOR		1	
	IC404	NJM2871BF33-X	IC		1	
	IC405	ADC124S021CI-X	IC		1	
	IC451	NAL0112-001X	BT MODULE		1	
	D4571	RKZ3.3B2KG-X	Z DIODE		1	
	C4011	NCB31CK-105X	C CAPACITOR	1uF 16V K	1	
	C4012	NDC31HJ-101X	C CAPACITOR	100pF 50V J	1	
	C4013	NCB31CK-224X	C CAPACITOR	0.22uF 16V K	1	
	C4041	NCB31CK-105X	C CAPACITOR	1uF 16V K	1	
	C4042	NCB31HK-104X	C CAPACITOR	0.1uF 50V K	1	
	C4043	NCB31HK-103X	C CAPACITOR	0.01uF 50V K	1	
	C4051	NCB31CK-105X	C CAPACITOR	1uF 16V K	1	
	C4541	NCB31HK-103X	C CAPACITOR	0.01uF 50V K	1	
	C4570	NCB31CK-104X	C CAPACITOR	0.1uF 16V	1	
	C4571	NCB31CK-104X	C CAPACITOR	0.1uF 16V	1	
	C4574	NCB31CK-105X	C CAPACITOR	1uF 16V K	1	
	C4575	NCB31CK-105X	C CAPACITOR	1uF 16V K	1	
	C4576	NCB31HK-103X	C CAPACITOR	0.01uF 50V K	1	
	C4578	NCJ41CK-476X-A	C CAPACITOR	47uF 16V K	1	
	R4011	NRSA63D-472X	MG RESISTOR	4.7kΩ 1/16W D	1	
	R4012	NRSA63D-472X	MG RESISTOR	4.7kΩ 1/16W D	1	
	R4013	NRSA63D-472X	MG RESISTOR	4.7kΩ 1/16W D	1	
	R4051	NRSA63J-0R0X	MG RESISTOR	0Ω 1/10W J	1	
	R4052	NRSA63J-0R0X	MG RESISTOR	0Ω 1/10W J	1	
	R4053	NRSA63J-0R0X	MG RESISTOR	0Ω 1/10W J	1	
	R4570	NRSA63J-0R0X	MG RESISTOR	0Ω 1/10W J	1	
	R4571	NRSA63J-0R0X	MG RESISTOR	0Ω 1/10W J	1	
	R4572	NRSA63J-0R0X	MG RESISTOR	0Ω 1/10W J	1	
	R4573	NRSA63J-0R0X	MG RESISTOR	0Ω 1/10W J	1	
	R4576	NRSA63J-331X	MG RESISTOR	330Ω 1/16W J	1	
	R4577	NRSA63J-331X	MG RESISTOR	330Ω 1/16W J	1	
	R4578	NRSA63J-0R0X	MG RESISTOR	0Ω 1/10W J	1	
	R4579	NRSA63J-0R0X	MG RESISTOR	0Ω 1/10W J	1	
	R4580	NRSA63J-0R0X	MG RESISTOR	0Ω 1/10W J	1	
	L4501	NQL10A3-4N7X	COIL	4.7nH 3	1	
	CN401	QGA1217C2-06X	CONNECTOR	W-B (1-6)	1	
	CN451	QGB0815J4-60X	CONNECTOR	B-B (1-60)	1	
	CN452	QGB0815J4-80X	CONNECTOR	B-B (1-80)	1	
	CN453	QGB0815J4-60X	CONNECTOR	B-B (1-60)	1	
	CN454	QGB0815J4-80X	CONNECTOR	B-B (1-80)	1	
	CN455	QGA1217C2-03X	CONNECTOR	W-B (1-3)	1	
	J4501	NNZ0136-001X	RF CONNECTOR		1	
GPS UNIT <06>						
	IC442	MM3271FU-X	IC		1	
	IC443	NAU0010-003X	RF MODULE		1	
	IC444	XC6401FH25DG-X	IC		1	
	IC445	IC-PST3625U-X	IC		1	
	IC446	TC74LCX07FT-F-X	IC(DIGITAL)		1	
	Q4481	RTR020P02-X	MOS FET		1	
	Q4481	or PMV65XP-X	MOS FET		1	
	D4421	1SS357-X	DIODE		1	
	D4421	or DB2J314-X	SB DIODE		1	
	D4421	or KDR357-X	SB DIODE		1	
	D4422	1SS357-X	DIODE		1	
	D4422	or DB2J314-X	SB DIODE		1	
	D4422	or KDR357-X	SB DIODE		1	
	C4401	NDCA1HJ-101W	C CAPACITOR	100pF 50V J	1	
	C4402	NDCA1HJ-101W	C CAPACITOR	100pF 50V J	1	
	C4403	NCJ20JM-226X-A	C CAPACITOR	22uF 6.3V M	1	
	C4404	NDCA1HJ-120W	C CAPACITOR	12pF 50V J	1	
	C4405	NDCA1HJ-120W	C CAPACITOR	12pF 50V J	1	
	C4406	NDCA1HJ-101W	C CAPACITOR	100pF 50V J	1	
	C4407	NDCA1HJ-101W	C CAPACITOR	100pF 50V J	1	
	C4408	NDCA1HJ-101W	C CAPACITOR	100pF 50V J	1	
	C4409	NDCA1HJ-101W	C CAPACITOR	100pF 50V J	1	
	C4410	NDCA1HJ-101W	C CAPACITOR	100pF 50V J	1	
	C4411	NDCA1HJ-101W	C CAPACITOR	100pF 50V J	1	
	C4412	NDCA1HJ-101W	C CAPACITOR	100pF 50V J	1	
	C4421	NDCA1HJ-101W	C CAPACITOR	100pF 50V J	1	
	C4422	NCBA1AK-104W	C CAPACITOR	0.1uF 10V K	1	
	C4423	NCBA1AK-104W	C CAPACITOR	0.1uF 10V K	1	
	C4431	NDCA1HJ-101W	C CAPACITOR	100pF 50V J	1	
	C4432	NDCA1HJ-102W	C CAPACITOR	1000pF 50V J	1	
	C4433	NCB31CK-105X	C CAPACITOR	1uF 16V K	1	
	C4434	NDCA1HJ-120W	C CAPACITOR	12pF 50V J	1	
	C4435	NDCA1HJ-120W	C CAPACITOR	12pF 50V J	1	
	C4436	NCB21AK-225X-A	C CAPACITOR	2.2uF 10V K	1	
	C4437	NCB31CK-105X	C CAPACITOR	1uF 16V K	1	
	C4438	NCB31CK-105X	C CAPACITOR	1uF 16V K	1	

MODEL	MARK	MODEL	MARK
KW-NT300J	A	KW-NT500HDTJ	B

Safe	Symbol No.	Parts No.	Parts Name	Description	QTY	Local
	C4441	NDCA1HJ-101W	C CAPACITOR	100pF 50V J	1	
	C4442	NCJ20JM-226X-A	C CAPACITOR	22uF 6.3V M	1	
	C4443	NCB21AK-225X-A	C CAPACITOR	2.2uF 10V K	1	
	C4444	NCB21AK-225X-A	C CAPACITOR	2.2uF 10V K	1	
	C4445	NDCA1HJ-471W	C CAPACITOR	470pF 50V J	1	
	C4451	NCBA1AK-104W	C CAPACITOR	0.1uF 10V K	1	
	C4452	NCB31CK-474X	C CAPACITOR	0.47uF 16V K	1	
	C4461	NCBA1AK-104W	C CAPACITOR	0.1uF 10V K	1	
	C4481	NDCA1HJ-101W	C CAPACITOR	100pF 50V J	1	
	C4482	NDCA1HJ-4R0W	C CAPACITOR	4pF 50V J	1	
	C4483	NDCA1HJ-2R0W	C CAPACITOR	2pF 50V J	1	
	C4484	NDCA1HJ-120W	C CAPACITOR	12pF 50V J	1	
	R4401	NRSA6AJ-221W	MG RESISTOR	220Ω 1/16W J	1	
	R4402	NRSA6AJ-101W	MG RESISTOR	100Ω 1/16W J	1	
	R4403	NRSA6AJ-101W	MG RESISTOR	100Ω 1/16W J	1	
	R4404	NRSA6AJ-101W	MG RESISTOR	100Ω 1/16W J	1	
	R4405	NRSA6AJ-101W	MG RESISTOR	100Ω 1/16W J	1	
	R4406	NRSA6AJ-101W	MG RESISTOR	100Ω 1/16W J	1	
	R4407	NRSA6AJ-101W	MG RESISTOR	100Ω 1/16W J	1	
	R4408	NRSA6AJ-101W	MG RESISTOR	100Ω 1/16W J	1	
	R4409	NRSA6AJ-0R0W	MG RESISTOR	0Ω 1/16W J	1	
	R4421	NRSA6AJ-103W	MG RESISTOR	10kΩ 1/16W J	1	
	R4431	NRSA6AJ-472W	MG RESISTOR	4.7kΩ 1/16W J	1	
	R4433	NRSA6AJ-103W	MG RESISTOR	10kΩ 1/16W J	1	
	R4442	NRSA6AJ-104W	MG RESISTOR	100kΩ 1/16W J	1	
	R4443	NRSA6AJ-101W	MG RESISTOR	100Ω 1/16W J	1	
	R4451	NRSA6AJ-104W	MG RESISTOR	100kΩ 1/16W J	1	
	R4461	NRSA6AJ-222W	MG RESISTOR	2.2kΩ 1/16W J	1	
	R4462	NRSA6AJ-103W	MG RESISTOR	10kΩ 1/16W J	1	
	R4463	NRSA6AJ-103W	MG RESISTOR	10kΩ 1/16W J	1	
	R4464	NRSA6AJ-103W	MG RESISTOR	10kΩ 1/16W J	1	
	R4465	NRSA6AJ-103W	MG RESISTOR	10kΩ 1/16W J	1	
	R4471	NRSA6AJ-0R0W	MG RESISTOR	0Ω 1/16W J	1	
	R4472	NRSA6AJ-0R0W	MG RESISTOR	0Ω 1/16W J	1	
	R4481	NRSA6AJ-0R0W	MG RESISTOR	0Ω 1/16W J	1	
	R4482	NRSA6AD-122W	MG RESISTOR	1.2kΩ 1/16W D	1	
	R4483	NRSA6AJ-3R9W	MG RESISTOR	3.9Ω 1/16W J	1	
	R4484	NRSA6AD-122W	MG RESISTOR	1.2kΩ 1/16W D	1	
	R4485	NRSA6AJ-220W	MG RESISTOR	22Ω 1/16W J	1	
	R4486	NRSA6AJ-103W	MG RESISTOR	10kΩ 1/16W J	1	
	L4401	NQL79GM-470X	COIL	47uH M	1	
	L4431	NQR0436-001X	EMI FILTER		1	
	L4461	NQR0269-014X	FERRITE BEADS		1	
	L4462	NQR0269-014X	FERRITE BEADS		1	
	L4481	NQL10AJ-39NX	COIL	39nH J	1	
	L4482	NQL10A3-2N7X	COIL	2.7nH 3	1	
	L4484	NQR0652-001X	EMI FILTER		1	
	CN440	QGF0536C3-20W	CONNECTOR	FFC/FPC (1-20)	1	
	CN448	QNZ1055-001	COAXIAL JACK		1	
NAVI UNIT <03>						
	IC501	R8A77250D533BG	IC(MCU)		1	
	IC521	MB88154A-113-X	IC(DIGITAL)		1	
	IC523	TC7SZU04FU-X	IC		1	
	IC531	JVM560B	PROGRAMED IC		1	
	IC541	MB85R1002ANC	IC(DIGITAL)		1	
	IC551	H5PS1G63EFRS5CC	IC		1	
	IC552	H5PS1G63EFRS5CC	IC		1	
	IC581	JVM563D	IC(DIGITAL)		1	
	IC601	ML86V8202TBZ3A	IC		1	
	IC612	AK4387ET-X	IC		1	
	IC651	MFI341S2162-X	IC		1	
	IC661	BD00KA5WFP-X	IC		1	
	IC662	NJM2855DL1-18-X	IC		1	
	IC663	BD18KA5WF-X	IC		1	
	IC664	BD00C0AWFP-X	IC		1	
	IC665	NJM2819ADL333-X	IC		1	
	IC666	S-1132B33-G-W	IC		1	
	IC667	NJM2855DL1-05-X	IC		1	
	Q691	12A02CH-X	TRANSISTOR		1	
	Q692	LTC014YUB-X	DIGI TRANSISTOR		1	
	D6641	GS1J-LTP-X	DIODE		1	
	D6642	GS1J-LTP-X	DIODE		1	
	D6661	MBRX130-TP-X	SB DIODE		1	
	C591	NCBA1HK-102W	C CAPACITOR	1000pF 50V K	1	
	C651	NCBA1AK-104W	C CAPACITOR	0.1uF 10V K	1	
	C5001	NCBA1AK-104W	C CAPACITOR	0.1uF 10V K	1	
	C5002	NCBA1AK-104W	C CAPACITOR	0.1uF 10V K	1	
	C5003	NCBA1AK-104W	C CAPACITOR	0.1uF 10V K	1	
	C5004	NCBA1AK-104W	C CAPACITOR	0.1uF 10V K	1	
	C5005	NCBA1AK-104W	C CAPACITOR	0.1uF 10V K	1	
	C5006	NCBA1AK-104W	C CAPACITOR	0.1uF 10V K	1	
	C5007	NCBA1AK-104W	C CAPACITOR	0.1uF 10V K	1	
	C5008	NCBA1AK-104W	C CAPACITOR	0.1uF 10V K	1	
	C5009	NCBA1AK-104W	C CAPACITOR	0.1uF 10V K	1	
	C5010	NCBA1AK-104W	C CAPACITOR	0.1uF 10V K	1	
	C5011	NCBA1AK-104W	C CAPACITOR	0.1uF 10V K	1	
	C5012	NCBA1AK-104W	C CAPACITOR	0.1uF 10V K	1	
	C5013	NCBA1AK-104W	C CAPACITOR	0.1uF 10V K	1	
	C5014	NCBA1AK-104W	C CAPACITOR	0.1uF 10V K	1	
	C5015	NCBA1AK-104W	C CAPACITOR	0.1uF 10V K	1	
	C5016	NCBA1AK-104W	C CAPACITOR	0.1uF 10V K	1	

MODEL	MARK	MODEL	MARK
KW-NT300J	A	KW-NT500HDTJ	B

Safe	Symbol No.	Parts No.	Parts Name	Description	QTY	Local
	C5017	NCBA1AK-104W	C CAPACITOR	0.1uF 10V K	1	
	C5018	NCBA1AK-104W	C CAPACITOR	0.1uF 10V K	1	
	C5019	NCBA1AK-104W	C CAPACITOR	0.1uF 10V K	1	
	C5020	NCBA1AK-104W	C CAPACITOR	0.1uF 10V K	1	
	C5021	NCBA1AK-104W	C CAPACITOR	0.1uF 10V K	1	
	C5022	NCBA1AK-104W	C CAPACITOR	0.1uF 10V K	1	
	C5023	NCBA1AK-104W	C CAPACITOR	0.1uF 10V K	1	
	C5024	NCBA1AK-104W	C CAPACITOR	0.1uF 10V K	1	
	C5025	NCBA1AK-104W	C CAPACITOR	0.1uF 10V K	1	
	C5026	NCBA1AK-104W	C CAPACITOR	0.1uF 10V K	1	
	C5027	NCBA1AK-104W	C CAPACITOR	0.1uF 10V K	1	
	C5028	NCBA1AK-104W	C CAPACITOR	0.1uF 10V K	1	
	C5029	NCBA1AK-104W	C CAPACITOR	0.1uF 10V K	1	
	C5030	NCBA1AK-104W	C CAPACITOR	0.1uF 10V K	1	
	C5031	NCBA1AK-104W	C CAPACITOR	0.1uF 10V K	1	
	C5032	NCBA1AK-104W	C CAPACITOR	0.1uF 10V K	1	
	C5033	NCBA1AK-104W	C CAPACITOR	0.1uF 10V K	1	
	C5034	NCBA1AK-104W	C CAPACITOR	0.1uF 10V K	1	
	C5035	NCBA1AK-104W	C CAPACITOR	0.1uF 10V K	1	
	C5036	NCBA1AK-104W	C CAPACITOR	0.1uF 10V K	1	
	C5037	NCBA1AK-104W	C CAPACITOR	0.1uF 10V K	1	
	C5038	NCBA1AK-104W	C CAPACITOR	0.1uF 10V K	1	
	C5039	NCBA1AK-104W	C CAPACITOR	0.1uF 10V K	1	
	C5040	NCBA1AK-104W	C CAPACITOR	0.1uF 10V K	1	
	C5041	NCBA1AK-104W	C CAPACITOR	0.1uF 10V K	1	
	C5042	NCBA1AK-104W	C CAPACITOR	0.1uF 10V K	1	
	C5043	NCBA1AK-104W	C CAPACITOR	0.1uF 10V K	1	
	C5044	NCBA1AK-104W	C CAPACITOR	0.1uF 10V K	1	
	C5045	NCBA1AK-104W	C CAPACITOR	0.1uF 10V K	1	
	C5046	NCBA1AK-104W	C CAPACITOR	0.1uF 10V K	1	
	C5047	NCBA1AK-104W	C CAPACITOR	0.1uF 10V K	1	
	C5048	NCBA1AK-104W	C CAPACITOR	0.1uF 10V K	1	
	C5049	NCBA1AK-104W	C CAPACITOR	0.1uF 10V K	1	
	C5050	NCBA1AK-104W	C CAPACITOR	0.1uF 10V K	1	
	C5051	NCBA1AK-104W	C CAPACITOR	0.1uF 10V K	1	
	C5052	NCBA1AK-104W	C CAPACITOR	0.1uF 10V K	1	
	C5053	NCBA1AK-104W	C CAPACITOR	0.1uF 10V K	1	
	C5054	NCBA1AK-104W	C CAPACITOR	0.1uF 10V K	1	
	C5055	NCBA1AK-104W	C CAPACITOR	0.1uF 10V K	1	
	C5056	NCBA1AK-104W	C CAPACITOR	0.1uF 10V K	1	
	C5057	NCBA1AK-104W	C CAPACITOR	0.1uF 10V K	1	
	C5058	NCBA1AK-104W	C CAPACITOR	0.1uF 10V K	1	
	C5059	NCBA1AK-104W	C CAPACITOR	0.1uF 10V K	1	
	C5061	NBZ0046-157X	OS E CAPACITOR	150uF	1	
	C5062	NBZ0046-157X	OS E CAPACITOR	150uF	1	
	C5063	NCBA1AK-104W	C CAPACITOR	0.1uF 10V K	1	
	C5064	NCBA1AK-104W	C CAPACITOR	0.1uF 10V K	1	
	C5211	NDCA1HJ-5R0W	C CAPACITOR	5pF 50V J	1	
	C5212	NDCA1HJ-5R0W	C CAPACITOR	5pF 50V J	1	
	C5213	NCBA1AK-104W	C CAPACITOR	0.1uF 10V K	1	
	C5221	NDCA1HJ-8R0W	C CAPACITOR	8pF 50V J	1	
	C5222	NDCA1HJ-100W	C CAPACITOR	10pF 50V J	1	
	C5231	NCBA1AK-104W	C CAPACITOR	0.1uF 10V K	1	
	C5232	NDCA1HJ-100W	C CAPACITOR	10pF 50V J	1	
	C5233	NDCA1HJ-100W	C CAPACITOR	10pF 50V J	1	
	C5311	NBE40JM-107X	TA E CAPACITOR	100uF 6.3V M	1	
	C5312	NCBA1AK-104W	C CAPACITOR	0.1uF 10V K	1	
	C5313	NCBA1AK-104W	C CAPACITOR	0.1uF 10V K	1	
	C5411	NCBA1AK-104W	C CAPACITOR	0.1uF 10V K	1	
	C5412	NCBA1AK-104W	C CAPACITOR	0.1uF 10V K	1	
	C5511	NCBA1AK-104W	C CAPACITOR	0.1uF 10V K	1	
	C5512	NCBA1AK-104W	C CAPACITOR	0.1uF 10V K	1	
	C5513	NCBA1AK-104W	C CAPACITOR	0.1uF 10V K	1	
	C5514	NCBA1AK-104W	C CAPACITOR	0.1uF 10V K	1	
	C5515	NCBA1AK-104W	C CAPACITOR	0.1uF 10V K	1	
	C5516	NCBA1AK-104W	C CAPACITOR	0.1uF 10V K	1	
	C5517	NCBA1AK-104W	C CAPACITOR	0.1uF 10V K	1	
	C5518	NCBA1AK-104W	C CAPACITOR	0.1uF 10V K	1	
	C5519	NCBA1AK-104W	C CAPACITOR	0.1uF 10V K	1	
	C5520	NCBA1AK-104W	C CAPACITOR	0.1uF 10V K	1	
	C5521	NCBA1AK-104W	C CAPACITOR	0.1uF 10V K	1	
	C5522	NCBA1AK-104W	C CAPACITOR	0.1uF 10V K	1	
	C5523	NCBA1AK-104W	C CAPACITOR	0.1uF 10V K	1	
	C5524	NCBA1AK-104W	C CAPACITOR	0.1uF 10V K	1	
	C5525	NCBA1AK-104W	C CAPACITOR	0.1uF 10V K	1	
	C5526	NCBA1AK-104W	C CAPACITOR	0.1uF 10V K	1	
	C5527	NCBA1AK-104W	C CAPACITOR	0.1uF 10V K	1	
	C5528	NCBA1AK-104W	C CAPACITOR	0.1uF 10V K	1	
	C5529	NDCA1HJ-181W	C CAPACITOR	180pF 50V J	1	
	C5530	NDCA1HJ-181W	C CAPACITOR	180pF 50V J	1	
	C5531	NDCA1HJ-181W	C CAPACITOR	180pF 50V J	1	
	C5532	NDCA1HJ-181W	C CAPACITOR	180pF 50V J	1	
	C5533	NDCA1HJ-181W	C CAPACITOR	180pF 50V J	1	
	C5534	NDCA1HJ-181W	C CAPACITOR	180pF 50V J	1	
	C5535	NDCA1HJ-181W	C CAPACITOR	180pF 50V J	1	
	C5536	NDCA1HJ-181W	C CAPACITOR	180pF 50V J	1	
	C5537	NDCA1HJ-181W	C CAPACITOR	180pF 50V J	1	
	C5538	NDCA1HJ-181W	C CAPACITOR	180pF 50V J	1	
	C5539	NDCA1HJ-181W	C CAPACITOR	180pF 50V J	1	
	C5540	NDCA1HJ-181W	C CAPACITOR	180pF 50V J	1	
	C5541	NDCA1HJ-181W	C CAPACITOR	180pF 50V J	1	
	C5542	NDCA1HJ-181W	C CAPACITOR	180pF 50V J	1	
	C5543	NDCA1HJ-181W	C CAPACITOR	180pF 50V J	1	

MODEL	MARK	MODEL	MARK
KW-NT300J	A	KW-NT500HDTJ	B

Safe	Symbol No.	Parts No.	Parts Name	Description	QTY	Local
	C5544	NDCA1HJ-181W	C CAPACITOR	180pF 50V J	1	
	C5545	NCBA1AK-104W	C CAPACITOR	0.1uF 10V K	1	
	C5546	NCBA1AK-104W	C CAPACITOR	0.1uF 10V K	1	
	C5547	NCBA1AK-104W	C CAPACITOR	0.1uF 10V K	1	
	C5548	NCBA1AK-104W	C CAPACITOR	0.1uF 10V K	1	
	C5549	NCBA1AK-104W	C CAPACITOR	0.1uF 10V K	1	
	C5550	NCBA1AK-104W	C CAPACITOR	0.1uF 10V K	1	
	C5551	NCBA1AK-104W	C CAPACITOR	0.1uF 10V K	1	
	C5552	NCBA1AK-104W	C CAPACITOR	0.1uF 10V K	1	
	C5553	NCBA1AK-104W	C CAPACITOR	0.1uF 10V K	1	
	C5554	NCBA1AK-104W	C CAPACITOR	0.1uF 10V K	1	
	C5555	NCBA1AK-104W	C CAPACITOR	0.1uF 10V K	1	
	C5556	NCBA1AK-104W	C CAPACITOR	0.1uF 10V K	1	
	C5557	NCBA1AK-104W	C CAPACITOR	0.1uF 10V K	1	
	C5558	NCBA1AK-104W	C CAPACITOR	0.1uF 10V K	1	
	C5559	NCBA1AK-104W	C CAPACITOR	0.1uF 10V K	1	
	C5560	NCBA1AK-104W	C CAPACITOR	0.1uF 10V K	1	
	C5561	NCBA1AK-104W	C CAPACITOR	0.1uF 10V K	1	
	C5562	NCBA1AK-104W	C CAPACITOR	0.1uF 10V K	1	
	C5563	NDCA1HJ-181W	C CAPACITOR	180pF 50V J	1	
	C5564	NDCA1HJ-181W	C CAPACITOR	180pF 50V J	1	
	C5565	NDCA1HJ-181W	C CAPACITOR	180pF 50V J	1	
	C5566	NDCA1HJ-181W	C CAPACITOR	180pF 50V J	1	
	C5567	NDCA1HJ-181W	C CAPACITOR	180pF 50V J	1	
	C5568	NDCA1HJ-181W	C CAPACITOR	180pF 50V J	1	
	C5569	NDCA1HJ-181W	C CAPACITOR	180pF 50V J	1	
	C5570	NDCA1HJ-181W	C CAPACITOR	180pF 50V J	1	
	C5571	NDCA1HJ-181W	C CAPACITOR	180pF 50V J	1	
	C5572	NDCA1HJ-181W	C CAPACITOR	180pF 50V J	1	
	C5573	NDCA1HJ-181W	C CAPACITOR	180pF 50V J	1	
	C5574	NDCA1HJ-181W	C CAPACITOR	180pF 50V J	1	
	C5575	NDCA1HJ-181W	C CAPACITOR	180pF 50V J	1	
	C5576	NDCA1HJ-181W	C CAPACITOR	180pF 50V J	1	
	C5577	NDCA1HJ-181W	C CAPACITOR	180pF 50V J	1	
	C5578	NDCA1HJ-181W	C CAPACITOR	180pF 50V J	1	
	C5579	NBZ0046-157X	OS E CAPACITOR	150uF	1	
	C5801	NCB20JK-106X	C CAPACITOR	10uF 6.3V K	1	
	C5804	NCBA1AK-104W	C CAPACITOR	0.1uF 10V K	1	
	C5805	NCBA1AK-104W	C CAPACITOR	0.1uF 10V K	1	
	C5806	NCBA1AK-104W	C CAPACITOR	0.1uF 10V K	1	
	C5807	NCBA1AK-104W	C CAPACITOR	0.1uF 10V K	1	
	C5808	NCBA1AK-104W	C CAPACITOR	0.1uF 10V K	1	
	C5809	NCBA1AK-104W	C CAPACITOR	0.1uF 10V K	1	
	C5810	NCBA1AK-104W	C CAPACITOR	0.1uF 10V K	1	
	C5820	NBZ0046-157X	OS E CAPACITOR	150uF	1	
	C5821	NDCA1HJ-102W	C CAPACITOR	1000pF 50V J	1	
	C6001	NDCA1HJ-100W	C CAPACITOR	10pF 50V J	1	
	C6002	NDCA1HJ-100W	C CAPACITOR	10pF 50V J	1	
	C6003	NCBA1AK-104W	C CAPACITOR	0.1uF 10V K	1	
	C6004	NCBA1AK-104W	C CAPACITOR	0.1uF 10V K	1	
	C6005	NCB31CK-105X	C CAPACITOR	1uF 16V K	1	
	C6006	NCB31CK-105X	C CAPACITOR	1uF 16V K	1	
	C6007	NCB31CK-105X	C CAPACITOR	1uF 16V K	1	
	C6008	NCB31CK-105X	C CAPACITOR	1uF 16V K	1	
	C6009	NCB31CK-474X	C CAPACITOR	0.47uF 16V K	1	
	C6010	NCB31CK-474X	C CAPACITOR	0.47uF 16V K	1	
	C6011	NCBA1AK-104W	C CAPACITOR	0.1uF 10V K	1	
	C6012	NCB31CK-105X	C CAPACITOR	1uF 16V K	1	
	C6013	NCB31CK-105X	C CAPACITOR	1uF 16V K	1	
	C6014	NCB31CK-105X	C CAPACITOR	1uF 16V K	1	
	C6015	NCBA1AK-104W	C CAPACITOR	0.1uF 10V K	1	
	C6016	NCBA1AK-104W	C CAPACITOR	0.1uF 10V K	1	
	C6017	NCBA1AK-104W	C CAPACITOR	0.1uF 10V K	1	
	C6018	NCBA1AK-104W	C CAPACITOR	0.1uF 10V K	1	
	C6019	NCBA1AK-104W	C CAPACITOR	0.1uF 10V K	1	
	C6020	NCBA1AK-104W	C CAPACITOR	0.1uF 10V K	1	
	C6021	NCBA1AK-104W	C CAPACITOR	0.1uF 10V K	1	
	C6022	NCBA1AK-104W	C CAPACITOR	0.1uF 10V K	1	
	C6023	NCBA1AK-104W	C CAPACITOR	0.1uF 10V K	1	
	C6024	NCB31CK-105X	C CAPACITOR	1uF 16V K	1	
	C6025	NCB20JK-106X	C CAPACITOR	10uF 6.3V K	1	
	C6026	NCB20JK-106X	C CAPACITOR	10uF 6.3V K	1	
	C6027	NCBA1AK-104W	C CAPACITOR	0.1uF 10V K	1	
	C6028	NCB31CK-474X	C CAPACITOR	0.47uF 16V K	1	
	C6029	NCB31CK-105X	C CAPACITOR	1uF 16V K	1	
	C6030	NCBA1AK-104W	C CAPACITOR	0.1uF 10V K	1	
	C6122	NCB20JK-106X	C CAPACITOR	10uF 6.3V K	1	
	C6123	NCB20JK-106X	C CAPACITOR	10uF 6.3V K	1	
	C6124	ND C31HJ-222X	C CAPACITOR	2200pF 50V J	1	
	C6611	NCB20JK-106X	C CAPACITOR	10uF 6.3V K	1	
	C6613	NCB31CK-105X	C CAPACITOR	1uF 16V K	1	
	C6622	NCB20JK-106X	C CAPACITOR	10uF 6.3V K	1	
	C6623	NCB20JK-106X	C CAPACITOR	10uF 6.3V K	1	
	C6632	NCB20JK-106X	C CAPACITOR	10uF 6.3V K	1	
	C6633	NCB21EK-105X	C CAPACITOR	1uF 25V K	1	
	C6642	NCJ21CK-106X-A	C CAPACITOR	10uF 16V K	1	
	C6643	NCB20JK-106X	C CAPACITOR	10uF 6.3V K	1	
	C6645	NCB20JK-106X	C CAPACITOR	10uF 6.3V K	1	
	C6651	NCB20JK-106X	C CAPACITOR	10uF 6.3V K	1	
	C6652	NCB20JK-106X	C CAPACITOR	10uF 6.3V K	1	
	C6661	NCB31CK-104X	C CAPACITOR	0.1uF 16V	1	
	C6672	NCJ21CK-106X-A	C CAPACITOR	10uF 16V K	1	

MODEL	MARK	MODEL	MARK
KW-NT300J	A	KW-NT500HDTJ	B

Safe	Symbol No.	Parts No.	Parts Name	Description	QTY	Local
	C6673	NCB20JK-106X	C CAPACITOR	10uF 6.3V K	1	
	C6680	NCB20JK-106X	C CAPACITOR	10uF 6.3V K	1	
	C6681	NCB20JK-106X	C CAPACITOR	10uF 6.3V K	1	
	C6703	NCBA1AK-104W	C CAPACITOR	0.1uF 10V K	1	
	C6704	NCJ41CK-476X-A	C CAPACITOR	47uF 16V K	1	
	C6705	NCJ41CK-476X-A	C CAPACITOR	47uF 16V K	1	
	C6706	NCJ41CK-476X-A	C CAPACITOR	47uF 16V K	1	
	C6902	NCB20JK-106X	C CAPACITOR	10uF 6.3V K	1	
	C6904	NCBA1AK-104W	C CAPACITOR	0.1uF 10V K	1	
	R651	NRSA6AJ-0R0W	MG RESISTOR	0Ω 1/16W J	1	
	R5003	NRSA6AJ-100W	MG RESISTOR	10Ω 1/16W J	1	
	R5004	NRSA6AJ-100W	MG RESISTOR	10Ω 1/16W J	1	
	R5005	NRSA6AJ-100W	MG RESISTOR	10Ω 1/16W J	1	
	R5010	NRSA6AJ-473W	MG RESISTOR	47kΩ 1/16W J	1	
	R5015	NRSA6AJ-100W	MG RESISTOR	10Ω 1/16W J	1	
	R5020	NRSA6AJ-101W	MG RESISTOR	100Ω 1/16W J	1	
	R5024	NRSA6AD-121W	MG RESISTOR	120Ω 1/16W D	1	
	R5040	NRSA6AD-102W	MG RESISTOR	1kΩ 1/16W D	1	
	R5041	NRSA6AD-102W	MG RESISTOR	1kΩ 1/16W D	1	
	R5042	NRSA6AJ-473W	MG RESISTOR	47kΩ 1/16W J	1	
	R5043	NRSA6AJ-101W	MG RESISTOR	100Ω 1/16W J	1	
	R5044	NRSA6AJ-101W	MG RESISTOR	100Ω 1/16W J	1	
	R5055	NRSA6AJ-473W	MG RESISTOR	47kΩ 1/16W J	1	
	R5060	NRSA6AJ-473W	MG RESISTOR	47kΩ 1/16W J	1	
	R5062	NRSA6AJ-473W	MG RESISTOR	47kΩ 1/16W J	1	
	R5064	NRSA6AJ-473W	MG RESISTOR	47kΩ 1/16W J	1	
	R5067	NRSA6AJ-473W	MG RESISTOR	47kΩ 1/16W J	1	
	R5069	NRSA6AJ-473W	MG RESISTOR	47kΩ 1/16W J	1	
	R5071	NRSA6AJ-473W	MG RESISTOR	47kΩ 1/16W J	1	
	R5073	NRSA6AJ-473W	MG RESISTOR	47kΩ 1/16W J	1	
	R5075	NRSA6AJ-473W	MG RESISTOR	47kΩ 1/16W J	1	
	R5078	NRSA6AJ-473W	MG RESISTOR	47kΩ 1/16W J	1	
	R5080	NRSA6AJ-473W	MG RESISTOR	47kΩ 1/16W J	1	
	R5081	NQR0559-006X	FERRITE BEADS		1	
	R5082	NRSA6AJ-101W	MG RESISTOR	100Ω 1/16W J	1	
	R5084	NRSA6AJ-473W	MG RESISTOR	47kΩ 1/16W J	1	
	R5086	NRSA6AJ-473W	MG RESISTOR	47kΩ 1/16W J	1	
	R5087	NQR0559-006X	FERRITE BEADS		1	
	R5088	NQR0559-006X	FERRITE BEADS		1	
	R5090	NRSA6AJ-473W	MG RESISTOR	47kΩ 1/16W J	1	
	R5092	NRSA6AJ-473W	MG RESISTOR	47kΩ 1/16W J	1	
	R5093	NQR0559-006X	FERRITE BEADS		1	
	R5094	NRSA6AJ-101W	MG RESISTOR	100Ω 1/16W J	1	
	R5096	NRSA6AJ-473W	MG RESISTOR	47kΩ 1/16W J	1	
	R5101	NQR0559-006X	FERRITE BEADS		1	
	R5102	NQR0559-006X	FERRITE BEADS		1	
	R5105	NRSA6AJ-101W	MG RESISTOR	100Ω 1/16W J	1	
	R5106	NQR0559-006X	FERRITE BEADS		1	
	R5107	NQR0559-006X	FERRITE BEADS		1	
	R5108	NQR0559-006X	FERRITE BEADS		1	
	R5109	NQR0559-006X	FERRITE BEADS		1	
	R5112	NRSA6AJ-472W	MG RESISTOR	4.7kΩ 1/16W J	1	
	R5113	NRSA6AJ-101W	MG RESISTOR	100Ω 1/16W J	1	
	R5114	NQR0559-006X	FERRITE BEADS		1	
	R5115	NQR0559-006X	FERRITE BEADS		1	
	R5118	NRSA6AJ-472W	MG RESISTOR	4.7kΩ 1/16W J	1	
	R5119	NRSA6AJ-101W	MG RESISTOR	100Ω 1/16W J	1	
	R5120	NRSA6AJ-101W	MG RESISTOR	100Ω 1/16W J	1	
	R5121	NQR0559-006X	FERRITE BEADS		1	
	R5122	NQR0559-006X	FERRITE BEADS		1	
	R5125	NRSA6AJ-101W	MG RESISTOR	100Ω 1/16W J	1	
	R5127	NQR0559-006X	FERRITE BEADS		1	
	R5128	NQR0559-006X	FERRITE BEADS		1	
	R5129	NRSA6AJ-101W	MG RESISTOR	100Ω 1/16W J	1	
	R5130	NQR0559-006X	FERRITE BEADS		1	
	R5131	NQR0559-006X	FERRITE BEADS		1	
	R5132	NQR0559-006X	FERRITE BEADS		1	
	R5133	NQR0559-006X	FERRITE BEADS		1	
	R5137	NQR0559-006X	FERRITE BEADS		1	
	R5138	NQR0559-006X	FERRITE BEADS		1	
	R5140	NRSA6AJ-101W	MG RESISTOR	100Ω 1/16W J	1	
	R5141	NRSA6AJ-220W	MG RESISTOR	22Ω 1/16W J	1	
	R5142	NRSA6AJ-220W	MG RESISTOR	22Ω 1/16W J	1	
	R5143	NRSA6AJ-101W	MG RESISTOR	100Ω 1/16W J	1	
	R5144	NRSA6AJ-101W	MG RESISTOR	100Ω 1/16W J	1	
	R5145	NRSA6AJ-101W	MG RESISTOR	100Ω 1/16W J	1	
	R5149	NRSA6AJ-220W	MG RESISTOR	22Ω 1/16W J	1	
	R5150	NRSA6AJ-473W	MG RESISTOR	47kΩ 1/16W J	1	
	R5151	NRSA6AJ-473W	MG RESISTOR	47kΩ 1/16W J	1	
	R5152	NRSA6AJ-101W	MG RESISTOR	100Ω 1/16W J	1	
	R5153	NRSA6AJ-101W	MG RESISTOR	100Ω 1/16W J	1	
	R5154	NRSA6AJ-101W	MG RESISTOR	100Ω 1/16W J	1	
	R5155	NRSA6AJ-101W	MG RESISTOR	100Ω 1/16W J	1	
	R5159	NRSA6AJ-220W	MG RESISTOR	22Ω 1/16W J	1	
	R5160	NRSA6AJ-220W	MG RESISTOR	22Ω 1/16W J	1	
	R5161	NRSA6AJ-473W	MG RESISTOR	47kΩ 1/16W J	1	
	R5162	NRSA6AJ-473W	MG RESISTOR	47kΩ 1/16W J	1	
	R5163	NRSA6AJ-472W	MG RESISTOR	4.7kΩ 1/16W J	1	
	R5164	NRSA6AJ-101W	MG RESISTOR	100Ω 1/16W J	1	
	R5165	NRSA6AJ-101W	MG RESISTOR	100Ω 1/16W J	1	
	R5166	NRSA6AJ-101W	MG RESISTOR	100Ω 1/16W J	1	
	R5171	NRSA6AJ-220W	MG RESISTOR	22Ω 1/16W J	1	
	R5172	NRSA6AJ-472W	MG RESISTOR	4.7kΩ 1/16W J	1	

MODEL	MARK	MODEL	MARK
KW-NT300J	A	KW-NT500HDTJ	B

Safe	Symbol No.	Parts No.	Parts Name	Description	QTY	Local
	R5173	NRSA6AJ-101W	MG RESISTOR	100Ω 1/16W J	1	
	R5174	NRSA6AJ-101W	MG RESISTOR	100Ω 1/16W J	1	
	R5175	NRSA6AJ-101W	MG RESISTOR	100Ω 1/16W J	1	
	R5176	NRSA6AJ-220W	MG RESISTOR	22Ω 1/16W J	1	
	R5177	NRSA6AJ-220W	MG RESISTOR	22Ω 1/16W J	1	
	R5179	NRSA6AD-562W	MG RESISTOR	5.6kΩ 1/16W D	1	
	R5180	NRSA6AJ-101W	MG RESISTOR	100Ω 1/16W J	1	
	R5181	NRSA6AJ-101W	MG RESISTOR	100Ω 1/16W J	1	
	R5185	NRSA6AJ-101W	MG RESISTOR	100Ω 1/16W J	1	
	R5186	NRSA6AJ-101W	MG RESISTOR	100Ω 1/16W J	1	
	R5212	NRSA6AJ-471W	MG RESISTOR	470Ω 1/16W J	1	
	R5213	NRSA6AJ-220W	MG RESISTOR	22Ω 1/16W J	1	
	R5216	NRSA6AJ-0R0W	MG RESISTOR	0Ω 1/16W J	1	
	R5218	NRSA6AJ-0R0W	MG RESISTOR	0Ω 1/16W J	1	
	R5222	NRSA6AJ-821W	MG RESISTOR	820Ω 1/16W J	1	
	R5231	NRSA6AJ-105W	MG RESISTOR	1MΩ 1/16W J	1	
	R5232	NRSA6AJ-152W	MG RESISTOR	1.5kΩ 1/16W J	1	
	R5233	NRSA6AJ-220W	MG RESISTOR	22Ω 1/16W J	1	
	R5234	NRSA6AJ-103W	MG RESISTOR	10kΩ 1/16W J	1	
	R5235	NRSA6AJ-103W	MG RESISTOR	10kΩ 1/16W J	1	
	R5236	NRSA6AJ-220W	MG RESISTOR	22Ω 1/16W J	1	
	R5312	NRSA6AJ-103W	MG RESISTOR	10kΩ 1/16W J	1	
	R5315	NRSA6AJ-103W	MG RESISTOR	10kΩ 1/16W J	1	
	R5316	NRSA6AJ-470W	MG RESISTOR	47Ω 1/16W J	1	
	R5317	NRSA6AJ-470W	MG RESISTOR	47Ω 1/16W J	1	
	R5318	NRSA6AJ-0R0W	MG RESISTOR	0Ω 1/16W J	1	
	R5411	NRSA6AJ-470W	MG RESISTOR	47Ω 1/16W J	1	
	R5412	NRSA6AJ-470W	MG RESISTOR	47Ω 1/16W J	1	
	R5413	NRSA6AJ-473W	MG RESISTOR	47kΩ 1/16W J	1	
	R5414	NRSA6AJ-473W	MG RESISTOR	47kΩ 1/16W J	1	
	R5511	NRSA6AJ-101W	MG RESISTOR	100Ω 1/16W J	1	
	R5512	NRSA6AD-102W	MG RESISTOR	1kΩ 1/16W D	1	
	R5513	NRSA6AD-102W	MG RESISTOR	1kΩ 1/16W D	1	
	R5514	NRSA6AJ-101W	MG RESISTOR	100Ω 1/16W J	1	
	R5515	NRSA6AD-102W	MG RESISTOR	1kΩ 1/16W D	1	
	R5516	NRSA6AD-102W	MG RESISTOR	1kΩ 1/16W D	1	
	R5801	NRSA6AJ-103W	MG RESISTOR	10kΩ 1/16W J	1	
	R5802	NRSA6AJ-473W	MG RESISTOR	47kΩ 1/16W J	1	
	R5803	NRSA6AJ-272W	MG RESISTOR	2.7kΩ 1/16W J	1	
	R5804	NRSA6AJ-103W	MG RESISTOR	10kΩ 1/16W J	1	
	R5805	NRSA6AJ-102W	MG RESISTOR	1kΩ 1/16W J	1	
	R5806	NRSA6AJ-0R0W	MG RESISTOR	0Ω 1/16W J	1	
	R5807	NRSA6AJ-103W	MG RESISTOR	10kΩ 1/16W J	1	
	R5901	NRSA6AJ-223W	MG RESISTOR	22kΩ 1/16W J	1	
	R5902	NRSA6AJ-103W	MG RESISTOR	10kΩ 1/16W J	1	
	R5911	NRSA6AJ-473W	MG RESISTOR	47kΩ 1/16W J	1	
	R5912	NRSA6AJ-473W	MG RESISTOR	47kΩ 1/16W J	1	
	R5913	NRSA6AJ-473W	MG RESISTOR	47kΩ 1/16W J	1	
	R6001	NRSA6AJ-220W	MG RESISTOR	22Ω 1/16W J	1	
	R6002	NRSA6AJ-220W	MG RESISTOR	22Ω 1/16W J	1	
	R6003	NRSA6AJ-220W	MG RESISTOR	22Ω 1/16W J	1	
	R6004	NRSA6AJ-220W	MG RESISTOR	22Ω 1/16W J	1	
	R6005	NRSA6AJ-220W	MG RESISTOR	22Ω 1/16W J	1	
	R6006	NRSA6AJ-220W	MG RESISTOR	22Ω 1/16W J	1	
	R6007	NRSA6AJ-220W	MG RESISTOR	22Ω 1/16W J	1	
	R6008	NRSA6AJ-220W	MG RESISTOR	22Ω 1/16W J	1	
	R6009	NRSA6AJ-0R0W	MG RESISTOR	0Ω 1/16W J	1	
	R6010	NRSA6AD-101W	MG RESISTOR	100Ω 1/16W D	1	
	R6012	NRSA6AD-560W	MG RESISTOR	56Ω 1/16W D	1	
	R6013	NRSA6AD-560W	MG RESISTOR	56Ω 1/16W D	1	
	R6014	NRSA6AJ-0R0W	MG RESISTOR	0Ω 1/16W J	1	
	R6016	NRSA6AD-101W	MG RESISTOR	100Ω 1/16W D	1	
	R6017	NRSA6AD-560W	MG RESISTOR	56Ω 1/16W D	1	
	R6018	NRSA6AJ-0R0W	MG RESISTOR	0Ω 1/16W J	1	
	R6020	NRSA6AD-101W	MG RESISTOR	100Ω 1/16W D	1	
	R6021	NRSA6AJ-220W	MG RESISTOR	22Ω 1/16W J	1	
	R6022	NRSA6AD-330W	MG RESISTOR	33Ω 1/16W D	1	
	R6023	NRSA6AD-430W	MG RESISTOR	43Ω 1/16W D	1	
	R6024	NRSA6AJ-102W	MG RESISTOR	1kΩ 1/16W J	1	
	R6025	NRSA6AJ-105W	MG RESISTOR	1MΩ 1/16W J	1	
	R6026	NRSA6AJ-0R0W	MG RESISTOR	0Ω 1/16W J	1	
	R6027	NRSA6AJ-0R0W	MG RESISTOR	0Ω 1/16W J	1	
	R6029	NRSA6AJ-0R0W	MG RESISTOR	0Ω 1/16W J	1	
	R6030	NRSA6AJ-103W	MG RESISTOR	10kΩ 1/16W J	1	
	R6031	NRSA6AJ-103W	MG RESISTOR	10kΩ 1/16W J	1	
	R6121	NRSA6AJ-103W	MG RESISTOR	10kΩ 1/16W J	1	
	R6122	NRSA6AJ-103W	MG RESISTOR	10kΩ 1/16W J	1	
	R6124	NRSA6AJ-0R0W	MG RESISTOR	0Ω 1/16W J	1	
	R6126	NRSA6AJ-101W	MG RESISTOR	100Ω 1/16W J	1	
	R6127	NRSA6AJ-0R0W	MG RESISTOR	0Ω 1/16W J	1	
	R6128	NRSA6AJ-0R0W	MG RESISTOR	0Ω 1/16W J	1	
	R6129	NRSA6AJ-103W	MG RESISTOR	10kΩ 1/16W J	1	
	R6304	NRSA6AJ-220W	MG RESISTOR	22Ω 1/16W J	1	
	R6305	NRSA6AJ-220W	MG RESISTOR	22Ω 1/16W J	1	
	R6306	NRSA6AJ-220W	MG RESISTOR	22Ω 1/16W J	1	
	R6501	NRSA6AJ-103W	MG RESISTOR	10kΩ 1/16W J	1	
	R6502	NRSA6AJ-103W	MG RESISTOR	10kΩ 1/16W J	1	
	R6503	NRSA6AJ-103W	MG RESISTOR	10kΩ 1/16W J	1	
	R6504	NRSA6AJ-101W	MG RESISTOR	100Ω 1/16W J	1	
	R6505	NRSA6AJ-103W	MG RESISTOR	10kΩ 1/16W J	1	
	R6506	NRSA6AJ-272W	MG RESISTOR	2.7kΩ 1/16W J	1	
	R6511	NRSA6AJ-103W	MG RESISTOR	10kΩ 1/16W J	1	

MODEL	MARK	MODEL	MARK
KW-NT300J	A	KW-NT500HDTJ	B

Safe	Symbol No.	Parts No.	Parts Name	Description	QTY	Local
	R6512	NRSA6AJ-103W	MG RESISTOR	10kΩ 1/16W J	1	
	R6513	NRSA6AJ-272W	MG RESISTOR	2.7kΩ 1/16W J	1	
	R6514	NRSA6AJ-101W	MG RESISTOR	100Ω 1/16W J	1	
	R6515	NRSA6AJ-103W	MG RESISTOR	10kΩ 1/16W J	1	
	R6517	NRSA6AJ-272W	MG RESISTOR	2.7kΩ 1/16W J	1	
	R6518	NRSA6AJ-101W	MG RESISTOR	100Ω 1/16W J	1	
	R6604	NRSA6AJ-102W	MG RESISTOR	1kΩ 1/16W J	1	
	R6611	NRSA6AD-183W	MG RESISTOR	18kΩ 1/16W D	1	
	R6612	NRSA6AD-303W	MG RESISTOR	30kΩ 1/16W D	1	
	R6621	NRSA6AJ-331W	MG RESISTOR	330Ω 1/16W J	1	
	R6631	NRSA6AJ-103W	MG RESISTOR	10kΩ 1/16W J	1	
	R6641	NRSA63D-333X	MG RESISTOR	33kΩ 1/16W D	1	
	R6642	NRSA63D-562X	MG RESISTOR	5.6kΩ 1/16W D	1	
	R6643	NRSA63J-0R0X	MG RESISTOR	0Ω 1/10W J	1	
	R6662	NRSA6AJ-331W	MG RESISTOR	330Ω 1/16W J	1	
	R6663	NRSA6AJ-103W	MG RESISTOR	10kΩ 1/16W J	1	
	R6664	NRSA6AJ-331W	MG RESISTOR	330Ω 1/16W J	1	
	R6701	NRSA6AJ-103W	MG RESISTOR	10kΩ 1/16W J	1	
	R6703	NRSA6AJ-272W	MG RESISTOR	2.7kΩ 1/16W J	1	
	R6704	NRSA6AJ-0R0W	MG RESISTOR	0Ω 1/16W J	1	
	R6801	NRSA6AJ-103W	MG RESISTOR	10kΩ 1/16W J	1	
	R6802	NRSA6AJ-103W	MG RESISTOR	10kΩ 1/16W J	1	
	R6803	NRSA6AJ-102W	MG RESISTOR	1kΩ 1/16W J	1	
	R6804	NRSA6AJ-101W	MG RESISTOR	100Ω 1/16W J	1	
	R6805	NRSA6AJ-103W	MG RESISTOR	10kΩ 1/16W J	1	
	R6806	NRSA6AJ-101W	MG RESISTOR	100Ω 1/16W J	1	
	R6807	NRSA6AJ-103W	MG RESISTOR	10kΩ 1/16W J	1	
	R6808	NRSA6AJ-103W	MG RESISTOR	10kΩ 1/16W J	1	
	R6810	NRSA6AJ-101W	MG RESISTOR	100Ω 1/16W J	1	
	R6811	NRSA6AJ-101W	MG RESISTOR	100Ω 1/16W J	1	
	R6825	NRSA6AJ-272W	MG RESISTOR	2.7kΩ 1/16W J	1	
	R6826	NRSA6AJ-102W	MG RESISTOR	1kΩ 1/16W J	1	
	R6834	NRSA6AJ-472W	MG RESISTOR	4.7kΩ 1/16W J	1	
	R6835	NRSA6AJ-472W	MG RESISTOR	4.7kΩ 1/16W J	1	
	R6836	NRSA6AJ-472W	MG RESISTOR	4.7kΩ 1/16W J	1	
	R6837	NRSA6AJ-472W	MG RESISTOR	4.7kΩ 1/16W J	1	
	R6838	NRSA6AJ-472W	MG RESISTOR	4.7kΩ 1/16W J	1	
	R6841	NRSA6AJ-220W	MG RESISTOR	22Ω 1/16W J	1	
	R6842	NRSA6AJ-103W	MG RESISTOR	10kΩ 1/16W J	1	
	R6844	NRSA6AJ-103W	MG RESISTOR	10kΩ 1/16W J	1	
	R6848	NRSA63J-101X	MG RESISTOR	100Ω 1/16W J	1	
	R6849	NRSA63J-101X	MG RESISTOR	100Ω 1/16W J	1	
	R6850	NRSA63J-101X	MG RESISTOR	100Ω 1/16W J	1	
	R6851	NRSA63J-101X	MG RESISTOR	100Ω 1/16W J	1	
	R6856	NRSA6AJ-101W	MG RESISTOR	100Ω 1/16W J	1	
	R6902	NRSA6AJ-473W	MG RESISTOR	47kΩ 1/16W J	1	
	R6903	NRSA6AJ-473W	MG RESISTOR	47kΩ 1/16W J	1	
	R6904	NRSA6AJ-473W	MG RESISTOR	47kΩ 1/16W J	1	
	R6905	NRSA6AJ-473W	MG RESISTOR	47kΩ 1/16W J	1	
	R6906	NRSA6AJ-473W	MG RESISTOR	47kΩ 1/16W J	1	
	R6907	NRSA6AJ-681W	MG RESISTOR	680Ω 1/16W J	1	
	R6908	NRSA6AJ-223W	MG RESISTOR	22kΩ 1/16W J	1	
	R6909	NRSA6AJ-220W	MG RESISTOR	22Ω 1/16W J	1	
	R6910	NRSA6AJ-220W	MG RESISTOR	22Ω 1/16W J	1	
	R6911	NRSA6AJ-220W	MG RESISTOR	22Ω 1/16W J	1	
	R6912	NRSA6AJ-220W	MG RESISTOR	22Ω 1/16W J	1	
	R6913	NRSA6AJ-220W	MG RESISTOR	22Ω 1/16W J	1	
	R6914	NRSA6AJ-101W	MG RESISTOR	100Ω 1/16W J	1	
	R6915	NRSA6AJ-101W	MG RESISTOR	100Ω 1/16W J	1	
	R6916	NRSA6AJ-473W	MG RESISTOR	47kΩ 1/16W J	1	
	R6917	NRSA6AJ-473W	MG RESISTOR	47kΩ 1/16W J	1	
	R6918	NRSA6AJ-103W	MG RESISTOR	10kΩ 1/16W J	1	
	R6919	NRSA6AJ-103W	MG RESISTOR	10kΩ 1/16W J	1	
	R6930	NRSA6AJ-0R0W	MG RESISTOR	0Ω 1/16W J	1	
	R6931	NRSA6AJ-0R0W	MG RESISTOR	0Ω 1/16W J	1	
	R6932	NRSA6AJ-0R0W	MG RESISTOR	0Ω 1/16W J	1	
	R6933	NRSA6AJ-0R0W	MG RESISTOR	0Ω 1/16W J	1	
	R6934	NRSA6AJ-0R0W	MG RESISTOR	0Ω 1/16W J	1	
	R6935	NRSA6AJ-0R0W	MG RESISTOR	0Ω 1/16W J	1	
	R6936	NRSA6AJ-0R0W	MG RESISTOR	0Ω 1/16W J	1	
	R6937	NRSA6AJ-0R0W	MG RESISTOR	0Ω 1/16W J	1	
	RA581	NRB04CJ-100W	NET RESISTOR	10Ω J	1	
	RA582	NRB04CJ-100W	NET RESISTOR	10Ω J	1	
	RA583	NRB04CJ-100W	NET RESISTOR	10Ω J	1	
	RA584	NRB04CJ-100W	NET RESISTOR	10Ω J	1	
	RA585	NRB04CJ-100W	NET RESISTOR	10Ω J	1	
	RA586	NRB04CJ-100W	NET RESISTOR	10Ω J	1	
	RA587	NRB04CJ-100W	NET RESISTOR	10Ω J	1	
	L6701	NQR0682-001X	CHOKE COIL		1	
	CN651	QGF0573F1-60X	CONNECTOR	FFC/FPC (1-60)	1	
	CN671	QGA2001F6-10X	CONNECTOR	W-B (1-10)	1	
	CN681	QGB0812L4-80X	CONNECTOR	B-B (1-80)	1	
	CN692	QGF0545F2-14X	CONNECTOR	FFC/FPC (1-14)	1	
	VA671	NAF0019-001X	VARIATOR(ZNR)		1	
	VA672	NAF0019-001X	VARIATOR(ZNR)		1	
	X521	NAX1139-001X	CRYSTAL		1	
	X522	NAX1140-001X	CRYSTAL		1	
	X523	NAX1143-001X	CRYSTAL		1	
	X601	NAX1145-001X	CRYSTAL		1	

PANEL/SD UNIT <07>

IC901	JVM539B	IC(MCU)	1
IC903	TC7SH32FU-X	IC	1

MODEL	MARK	MODEL	MARK
KW-NT300J	A	KW-NT500HDTJ	B

Safe	Symbol No.	Parts No.	Parts Name	Description	QTY	Local
	IC903	or 74HC1G32GWE-X	IC(DIGITAL)		1	
	IC921	ML86V8101TBZ3A	IC		1	
	IC942	XC6216C202PG-X	IC		1	
	IC951	OZ527ILN-A1-X	IC		1	
	IC991	NJM2855DL1-33-X	IC		1	
	Q9101	2SA2188/F-X	TRANSISTOR		1	
	Q9102	INC2002AC1-X	TRANSISTOR		1	
	Q9111	2SA2188/F-X	TRANSISTOR		1	
	Q9112	INC2002AC1-X	TRANSISTOR		1	
	Q9301	RT1N441C-X	TRANSISTOR		1	
	Q9451	RT1N441C-X	TRANSISTOR		1	
	Q9452	RT1N441C-X	TRANSISTOR		1	
	Q9611	2SC1623A/5-6/-X	TRANSISTOR		1	
	Q9612	2SC1623A/5-6/-X	TRANSISTOR		1	
	Q9613	2SC1623A/5-6/-X	TRANSISTOR		1	
	D8301	NSSM065T-X	LED		1	
	D8302	NSSM065T-X	LED		1	
	D8303	NSSM065T-X	LED		1	
	D8304	NSSM065T-X	LED		1	
	D8305	NSSM065T-X	LED		1	
	D8306	NSSM065T-X	LED		1	
	D8501	SML-D12V8W/PQ-X	LED		1	
	D9131	HSU119-X	SI DIODE		1	
	D9132	HSU119-X	SI DIODE		1	
	D9133	HSU119-X	SI DIODE		1	
	D9134	HSU119-X	SI DIODE		1	
	D9135	HSU119-X	SI DIODE		1	
	D9136	HSU119-X	SI DIODE		1	
	D9137	HSU119-X	SI DIODE		1	
	D9138	HSU119-X	SI DIODE		1	
	D9432	RKZ22B2KG-X	Z DIODE		1	
	D9433	RKZ12B2KG-X	Z DIODE		1	
	D9434	RKZ6.2B2KG-X	Z DIODE		1	
	D9435	RKZ10B2KG-X	Z DIODE		1	
	D9511	RB160M-60-X	SB DIODE		1	
	D9901	CRS03-W	SB DIODE		1	
	C8401	NCB31HK-103X	C CAPACITOR	0.01uF 50V K	1	
	C8402	NCB31HK-103X	C CAPACITOR	0.01uF 50V K	1	
	C8601	NDC31HJ-101X	C CAPACITOR	100pF 50V J	1	
	C8602	NDC31HJ-101X	C CAPACITOR	100pF 50V J	1	
	C8604	NCB31CK-104X	C CAPACITOR	0.1uF 16V	1	
	C9001	NCB31CK-104X	C CAPACITOR	0.1uF 16V	1	
	C9002	NCJ10JM-476X-A	C CAPACITOR	47uF 6.3V M	1	
	C9011	NDC31HJ-471X	C CAPACITOR	470pF 50V J	1	
	C9012	NDC31HJ-471X	C CAPACITOR	470pF 50V J	1	
	C9013	NDC31HJ-471X	C CAPACITOR	470pF 50V J	1	
	C9041	NCB31CK-104X	C CAPACITOR	0.1uF 16V	1	
	C9064	NCB31CK-104X	C CAPACITOR	0.1uF 16V	1	
	C9065	NCB31CK-104X	C CAPACITOR	0.1uF 16V	1	
	C9074	NCB31CK-104X	C CAPACITOR	0.1uF 16V	1	
	C9080	NCB31CK-474X	C CAPACITOR	0.47uF 16V K	1	
	C9082	NCB31CK-104X	C CAPACITOR	0.1uF 16V	1	
	C9096	NCB31CK-104X	C CAPACITOR	0.1uF 16V	1	
	C9101	NCB31CK-105X	C CAPACITOR	1uF 16V K	1	
	C9102	NCJ10JM-476X-A	C CAPACITOR	47uF 6.3V M	1	
	C9111	NCB31CK-105X	C CAPACITOR	1uF 16V K	1	
	C9131	NCB31HK-103X	C CAPACITOR	0.01uF 50V K	1	
	C9132	NCB31HK-103X	C CAPACITOR	0.01uF 50V K	1	
	C9133	NCB31HK-103X	C CAPACITOR	0.01uF 50V K	1	
	C9134	NCB31HK-103X	C CAPACITOR	0.01uF 50V K	1	
	C9201	NCJ20JM-226X-A	C CAPACITOR	22uF 6.3V M	1	
	C9214	NCB21AK-475X	C CAPACITOR	4.7uF 10V K	1	
	C9215	NCB31CK-104X	C CAPACITOR	0.1uF 16V	1	
	C9219	NCB31CK-104X	C CAPACITOR	0.1uF 16V	1	
	C9243	NCB31CK-104X	C CAPACITOR	0.1uF 16V	1	
	C9254	NCB31CK-104X	C CAPACITOR	0.1uF 16V	1	
	C9260	NCB31CK-104X	C CAPACITOR	0.1uF 16V	1	
	C9306	NCB31CK-104X	C CAPACITOR	0.1uF 16V	1	
	C9401	NCJ11EK-106X-R	C CAPACITOR	10uF 25V	1	
	C9405	NCB31HK-104X	C CAPACITOR	0.1uF 50V K	1	
	C9412	NCB31CK-104X	C CAPACITOR	0.1uF 16V	1	
	C9431	NCB31CK-105X	C CAPACITOR	1uF 16V K	1	
	C9432	NCB21EK-105X	C CAPACITOR	1uF 25V K	1	
	C9433	NCB31CK-104X	C CAPACITOR	0.1uF 16V	1	
	C9434	NCB31CK-104X	C CAPACITOR	0.1uF 16V	1	
	C9435	NCB31CK-104X	C CAPACITOR	0.1uF 16V	1	
	C9436	NCJ11EK-106X-R	C CAPACITOR	10uF 25V	1	
	C9441	NCJ11EK-106X-R	C CAPACITOR	10uF 25V	1	
	C9442	NCB31CK-104X	C CAPACITOR	0.1uF 16V	1	
	C9443	NCB31HK-103X	C CAPACITOR	0.01uF 50V K	1	
	C9501	NDC31HJ-101X	C CAPACITOR	100pF 50V J	1	
	C9502	NDC31HJ-560X	C CAPACITOR	56pF 50V J	1	
	C9503	NCB31CK-224X	C CAPACITOR	0.22uF 16V K	1	
	C9504	NCB31CK-105X	C CAPACITOR	1uF 16V K	1	
	C9505	NCB31HK-104X	C CAPACITOR	0.1uF 50V K	1	
	C9506	NCB31CK-105X	C CAPACITOR	1uF 16V K	1	
	C9507	NCJ11EK-106X-R	C CAPACITOR	10uF 25V	1	
	C9508	NCJ11EK-106X-R	C CAPACITOR	10uF 25V	1	
	C9509	NCJ11EK-106X-R	C CAPACITOR	10uF 25V	1	
	C9510	NEAG1CM-476X	E CAPACITOR	47uF 16V M	1	
	C9512	NCB31CK-104X	C CAPACITOR	0.1uF 16V	1	
	C9515	NCJ11EK-106X-R	C CAPACITOR	10uF 25V	1	
	C9605	NCJ11EK-106X-R	C CAPACITOR	10uF 25V	1	

MODEL	MARK	MODEL	MARK
KW-NT300J	A	KW-NT500HDTJ	B

Safe	Symbol No.	Parts No.	Parts Name	Description	QTY	Local
	C9911	NCJ41CK-476X-A	C CAPACITOR	47uF 16V K	1	
	C9912	NCB31CK-104X	C CAPACITOR	0.1uF 16V	1	
	C9913	NCJ20JM-226X-A	C CAPACITOR	22uF 6.3V M	1	
	C9914	NCB31HK-103X	C CAPACITOR	0.01uF 50V K	1	
	C9994	NCJ11EK-106X-R	C CAPACITOR	10uF 25V	1	
	C9995	NCB31HK-103X	C CAPACITOR	0.01uF 50V K	1	
	R6931	NRSA63J-0R0X	MG RESISTOR	0Ω 1/10W J	1	
	R6932	NRSA63J-0R0X	MG RESISTOR	0Ω 1/10W J	1	
	R6933	NRSA63J-0R0X	MG RESISTOR	0Ω 1/10W J	1	
	R6934	NRSA63J-0R0X	MG RESISTOR	0Ω 1/10W J	1	
	R6935	NRSA63J-0R0X	MG RESISTOR	0Ω 1/10W J	1	
	R6936	NRSA63J-0R0X	MG RESISTOR	0Ω 1/10W J	1	
	R6937	NRSA63J-0R0X	MG RESISTOR	0Ω 1/10W J	1	
	R6938	NRSA63J-0R0X	MG RESISTOR	0Ω 1/10W J	1	
	R6939	NRSA63J-0R0X	MG RESISTOR	0Ω 1/10W J	1	
	R8101	NRSA63J-301X	MG RESISTOR	300Ω 1/16W J	1	
	R8102	NRSA63J-271X	MG RESISTOR	270Ω 1/16W J	1	
	R8103	NRSA63J-391X	MG RESISTOR	390Ω 1/16W J	1	
	R8201	NRSA63J-301X	MG RESISTOR	300Ω 1/16W J	1	
	R8202	NRSA63J-221X	MG RESISTOR	220Ω 1/16W J	1	
	R8203	NRSA63J-102X	MG RESISTOR	1kΩ 1/16W J	1	
	R8301	NRSA63J-112X	MG RESISTOR	1.1kΩ 1/16W J	1	
	R8302	NRSA63J-681X	MG RESISTOR	680Ω 1/16W J	1	
	R8303	NRSA63J-102X	MG RESISTOR	1kΩ 1/16W J	1	
	R8304	NRSA63J-152X	MG RESISTOR	1.5kΩ 1/16W J	1	
	R8305	NRSA63J-132X	MG RESISTOR	1.3kΩ 1/16W J	1	
	R8306	NRSA63J-182X	MG RESISTOR	1.8kΩ 1/16W J	1	
	R8307	NRSA63J-202X	MG RESISTOR	2kΩ 1/16W J	1	
	R8308	NRSA63J-202X	MG RESISTOR	2kΩ 1/16W J	1	
	R8309	NRSA63J-272X	MG RESISTOR	2.7kΩ 1/16W J	1	
	R8401	NRSA63J-103X	MG RESISTOR	10kΩ 1/16W J	1	
	R8402	NRSA63J-103X	MG RESISTOR	10kΩ 1/16W J	1	
	R8403	NRSA63J-103X	MG RESISTOR	10kΩ 1/16W J	1	
	R8404	NRSA63J-103X	MG RESISTOR	10kΩ 1/16W J	1	
	R8501	NRSA63J-111X	MG RESISTOR	110Ω 1/16W J	1	
	R8502	NRSA63J-111X	MG RESISTOR	110Ω 1/16W J	1	
	R8601	NRSA63J-104X	MG RESISTOR	100kΩ 1/16W J	1	
	R8602	NRSA63J-104X	MG RESISTOR	100kΩ 1/16W J	1	
	R8604	NRSA63J-471X	MG RESISTOR	470Ω 1/16W J	1	
	R9011	NRSA63J-330X	MG RESISTOR	33Ω 1/16W J	1	
	R9012	NRSA63J-330X	MG RESISTOR	33Ω 1/16W J	1	
	R9013	NRSA63J-102X	MG RESISTOR	1kΩ 1/16W J	1	
	R9014	NRSA63J-102X	MG RESISTOR	1kΩ 1/16W J	1	
	R9015	NRSA63J-332X	MG RESISTOR	3.3kΩ 1/16W J	1	
	R9016	NRSA63J-102X	MG RESISTOR	1kΩ 1/16W J	1	
	R9017	NRSA63J-102X	MG RESISTOR	1kΩ 1/16W J	1	
	R9018	NRSA63J-102X	MG RESISTOR	1kΩ 1/16W J	1	
	R9019	NRSA63J-102X	MG RESISTOR	1kΩ 1/16W J	1	
	R9021	NRSA63J-102X	MG RESISTOR	1kΩ 1/16W J	1	
	R9022	NRSA63J-0R0X	MG RESISTOR	0Ω 1/10W J	1	
	R9023	NRSA63J-472X	MG RESISTOR	4.7kΩ 1/16W J	1	
	R9024	NRSA63J-472X	MG RESISTOR	4.7kΩ 1/16W J	1	
	R9025	NRSA63J-103X	MG RESISTOR	10kΩ 1/16W J	1	
	R9031	NRSA63J-0R0X	MG RESISTOR	0Ω 1/10W J	1	
	R9033	NRSA63J-102X	MG RESISTOR	1kΩ 1/16W J	1	
	R9034	NRSA63J-332X	MG RESISTOR	3.3kΩ 1/16W J	1	
	R9035	NRSA63J-332X	MG RESISTOR	3.3kΩ 1/16W J	1	
	R9036	NRSA63J-561X	MG RESISTOR	560Ω 1/16W J	1	
	R9037	NRSA63J-561X	MG RESISTOR	560Ω 1/16W J	1	
	R9038	NRSA63J-101X	MG RESISTOR	100Ω 1/16W J	1	
	R9039	NRSA63J-102X	MG RESISTOR	1kΩ 1/16W J	1	
	R9040	NRSA63J-101X	MG RESISTOR	100Ω 1/16W J	1	
	R9043	NRSA63J-103X	MG RESISTOR	10kΩ 1/16W J	1	
	R9044	NRSA63J-102X	MG RESISTOR	1kΩ 1/16W J	1	
	R9051	NRSA63J-102X	MG RESISTOR	1kΩ 1/16W J	1	
	R9052	NRSA63J-102X	MG RESISTOR	1kΩ 1/16W J	1	
	R9053	NRSA63J-102X	MG RESISTOR	1kΩ 1/16W J	1	
	R9054	NRSA63J-102X	MG RESISTOR	1kΩ 1/16W J	1	
	R9055	NRSA63J-102X	MG RESISTOR	1kΩ 1/16W J	1	
	R9056	NRSA63J-102X	MG RESISTOR	1kΩ 1/16W J	1	
	R9057	NRSA63J-102X	MG RESISTOR	1kΩ 1/16W J	1	
	R9058	NRSA63J-102X	MG RESISTOR	1kΩ 1/16W J	1	
	R9059	NRSA63J-561X	MG RESISTOR	560Ω 1/16W J	1	
	R9060	NRSA63J-102X	MG RESISTOR	1kΩ 1/16W J	1	
	R9061	NRSA63J-102X	MG RESISTOR	1kΩ 1/16W J	1	
	R9063	NRSA63J-822X	MG RESISTOR	8.2kΩ 1/16W J	1	
	R9064	NRSA63J-152X	MG RESISTOR	1.5kΩ 1/16W J	1	
	R9065	NRSA63J-152X	MG RESISTOR	1.5kΩ 1/16W J	1	
	R9068	NRSA63J-103X	MG RESISTOR	10kΩ 1/16W J	1	
	R9069	NRSA63J-103X	MG RESISTOR	10kΩ 1/16W J	1	
	R9070	NRSA63J-103X	MG RESISTOR	10kΩ 1/16W J	1	
	R9071	NRSA63J-332X	MG RESISTOR	3.3kΩ 1/16W J	1	
	R9072	NRSA63J-561X	MG RESISTOR	560Ω 1/16W J	1	
	R9073	NRSA63J-102X	MG RESISTOR	1kΩ 1/16W J	1	
	R9074	NRSA63J-222X	MG RESISTOR	2.2kΩ 1/16W J	1	
	R9075	NRSA63J-102X	MG RESISTOR	1kΩ 1/16W J	1	
	R9076	NRSA63J-472X	MG RESISTOR	4.7kΩ 1/16W J	1	
	R9077	NRSA63J-102X	MG RESISTOR	1kΩ 1/16W J	1	
	R9083	NRSA63J-473X	MG RESISTOR	47kΩ 1/16W J	1	
	R9096	NRSA63J-473X	MG RESISTOR	47kΩ 1/16W J	1	
	R9097	NRSA63J-473X	MG RESISTOR	47kΩ 1/16W J	1	
	R9098	NRSA63J-0R0X	MG RESISTOR	0Ω 1/10W J	1	

MODEL	MARK	MODEL	MARK
KW-NT300J	A	KW-NT500HDTJ	B

Safe	Symbol No.	Parts No.	Parts Name	Description	QTY	Local
	R9101	NRSA63J-332X	MG RESISTOR	3.3kΩ 1/16W J	1	
	R9102	NRSA63J-223X	MG RESISTOR	22kΩ 1/16W J	1	
	R9103	NRSA63J-222X	MG RESISTOR	2.2kΩ 1/16W J	1	
	R9104	NRSA63J-332X	MG RESISTOR	3.3kΩ 1/16W J	1	
	R9105	NRSA63J-223X	MG RESISTOR	22kΩ 1/16W J	1	
	R9106	NRSA63J-222X	MG RESISTOR	2.2kΩ 1/16W J	1	
	R9107	NRSA63J-104X	MG RESISTOR	100kΩ 1/16W J	1	
	R9111	NRSA63J-332X	MG RESISTOR	3.3kΩ 1/16W J	1	
	R9112	NRSA63J-223X	MG RESISTOR	22kΩ 1/16W J	1	
	R9113	NRSA63J-222X	MG RESISTOR	2.2kΩ 1/16W J	1	
	R9114	NRSA63J-332X	MG RESISTOR	3.3kΩ 1/16W J	1	
	R9115	NRSA63J-223X	MG RESISTOR	22kΩ 1/16W J	1	
	R9116	NRSA63J-222X	MG RESISTOR	2.2kΩ 1/16W J	1	
	R9117	NRSA63J-104X	MG RESISTOR	100kΩ 1/16W J	1	
	R9212	NRSA63J-473X	MG RESISTOR	47kΩ 1/16W J	1	
	R9213	NRSA63J-473X	MG RESISTOR	47kΩ 1/16W J	1	
	R9216	NRSA63J-330X	MG RESISTOR	33Ω 1/16W J	1	
	R9217	NRSA63J-330X	MG RESISTOR	33Ω 1/16W J	1	
	R9218	NRSA63J-330X	MG RESISTOR	33Ω 1/16W J	1	
	R9219	NRSA63J-473X	MG RESISTOR	47kΩ 1/16W J	1	
	R9220	NRSA63J-102X	MG RESISTOR	1kΩ 1/16W J	1	
	R9221	NRSA63J-330X	MG RESISTOR	33Ω 1/16W J	1	
	R9222	NRSA63J-330X	MG RESISTOR	33Ω 1/16W J	1	
	R9223	NRSA63J-330X	MG RESISTOR	33Ω 1/16W J	1	
	R9224	NRSA63J-330X	MG RESISTOR	33Ω 1/16W J	1	
	R9226	NRSA63J-330X	MG RESISTOR	33Ω 1/16W J	1	
	R9227	NRSA63J-330X	MG RESISTOR	33Ω 1/16W J	1	
	R9229	NRSA63J-330X	MG RESISTOR	33Ω 1/16W J	1	
	R9230	NRSA63J-330X	MG RESISTOR	33Ω 1/16W J	1	
	R9242	NRSA63J-330X	MG RESISTOR	33Ω 1/16W J	1	
	R9245	NRSA63J-330X	MG RESISTOR	33Ω 1/16W J	1	
	R9246	NRSA63J-330X	MG RESISTOR	33Ω 1/16W J	1	
	R9247	NRSA63J-330X	MG RESISTOR	33Ω 1/16W J	1	
	R9248	NRSA63J-330X	MG RESISTOR	33Ω 1/16W J	1	
	R9249	NRSA63J-330X	MG RESISTOR	33Ω 1/16W J	1	
	R9250	NRSA63J-330X	MG RESISTOR	33Ω 1/16W J	1	
	R9251	NRSA63J-330X	MG RESISTOR	33Ω 1/16W J	1	
	R9252	NRSA63J-330X	MG RESISTOR	33Ω 1/16W J	1	
	R9253	NRSA63J-330X	MG RESISTOR	33Ω 1/16W J	1	
	R9256	NRSA63J-330X	MG RESISTOR	33Ω 1/16W J	1	
	R9257	NRSA63J-330X	MG RESISTOR	33Ω 1/16W J	1	
	R9258	NRSA63J-330X	MG RESISTOR	33Ω 1/16W J	1	
	R9259	NRSA63J-330X	MG RESISTOR	33Ω 1/16W J	1	
	R9401	NRSA63D-101X	MG RESISTOR	100Ω 1/16W D	1	
	R9402	NRSA63D-161X	MG RESISTOR	160Ω 1/16W D	1	
	R9403	NRSA63D-430X	MG RESISTOR	43Ω 1/16W D	1	
	R9404	NRSA63D-390X	MG RESISTOR	39Ω 1/16W D	1	
	R9405	NRSA63D-101X	MG RESISTOR	100Ω 1/16W D	1	
	R9406	NRSA63D-161X	MG RESISTOR	160Ω 1/16W D	1	
	R9407	NRSA63D-101X	MG RESISTOR	100Ω 1/16W D	1	
	R9408	NRSA63D-390X	MG RESISTOR	39Ω 1/16W D	1	
	R9409	NRSA63D-430X	MG RESISTOR	43Ω 1/16W D	1	
	R9410	NRSA63D-161X	MG RESISTOR	160Ω 1/16W D	1	
	R9411	NRSA63D-620X	MG RESISTOR	62Ω 1/16W D	1	
	R9412	NRSA63J-101X	MG RESISTOR	100Ω 1/16W J	1	
	R9413	NRSA63J-101X	MG RESISTOR	100Ω 1/16W J	1	
	R9414	NRSA63J-203X	MG RESISTOR	20kΩ 1/16W J	1	
	R9417	NRSA63J-101X	MG RESISTOR	100Ω 1/16W J	1	
	R9441	NRSA63D-103X	MG RESISTOR	10kΩ 1/16W D	1	
	R9442	NRSA63D-363X	MG RESISTOR	36kΩ 1/16W D	1	
	R9443	NRSA63D-113X	MG RESISTOR	11kΩ 1/16W D	1	
	R9444	NRSA63D-104X	MG RESISTOR	100kΩ 1/16W D	1	
	R9451	NRSA63D-622X	MG RESISTOR	6.2kΩ 1/16W D	1	
	R9453	NRSA63D-683X	MG RESISTOR	68kΩ 1/16W D	1	
	R9454	NRSA63D-333X	MG RESISTOR	33kΩ 1/16W D	1	
	R9455	NRSA63D-392X	MG RESISTOR	3.9kΩ 1/16W D	1	
	R9457	NRSA63J-0R0X	MG RESISTOR	0Ω 1/10W J	1	
	R9458	NRSA63J-0R0X	MG RESISTOR	0Ω 1/10W J	1	
	R9501	NRSA63J-0R0X	MG RESISTOR	0Ω 1/10W J	1	
	R9502	NRSA63J-105X	MG RESISTOR	1MΩ 1/16W J	1	
	R9503	NRSA63J-683X	MG RESISTOR	68kΩ 1/16W J	1	
	R9504	NRSA63D-363X	MG RESISTOR	36kΩ 1/16W D	1	
	R9505	NRSA63J-102X	MG RESISTOR	1kΩ 1/16W J	1	
	R9506	NRSA63J-104X	MG RESISTOR	100kΩ 1/16W J	1	
	R9507	NRSA63J-0R0X	MG RESISTOR	0Ω 1/10W J	1	
	R9508	NRSA63J-121X	MG RESISTOR	120Ω 1/16W J	1	
	R9509	NRSA63J-0R0X	MG RESISTOR	0Ω 1/10W J	1	
	R9512	NRSA63J-563X	MG RESISTOR	56kΩ 1/16W J	1	
	R9552	NRSA63J-0R0X	MG RESISTOR	0Ω 1/10W J	1	
	R9601	NRSA63J-680X	MG RESISTOR	68Ω 1/16W J	1	
	R9602	NRSA63J-0R0X	MG RESISTOR	0Ω 1/10W J	1	
	R9603	NRSA63J-300X	MG RESISTOR	30Ω 1/16W J	1	
	R9604	NRSA63J-0R0X	MG RESISTOR	0Ω 1/10W J	1	
	R9901	NRSA63J-0R0X	MG RESISTOR	0Ω 1/10W J	1	
	R9994	NRSA02J-0R0X	MG RESISTOR	0Ω 1/10W J	1	
	L9001	NQL79GK-100X	COIL	10uH K	1	
	L9201	NQL79GK-100X	COIL	10uH K	1	
	L9501	NQLF3EM-220X	COIL	22uH M	1	
	L9511	NQLG4EM-100X	COIL	10uH M	1	
	CN693	NNZ0268-001X	SD CARD CONNE		1	
	CN694	QGF0522F5-14W	CONNECTOR	FFC/FPC (1-14)	1	
	CN861	QGA1217F1-03X	CONNECTOR	W-B (1-3)	1	
	CN911	QGF1039F3-04X	CONNECTOR	FFC/FPC (1-4)	1	

MODEL	MARK	MODEL	MARK
KW-NT300J	A	KW-NT500HDTJ	B

Safe	Symbol No.	Parts No.	Parts Name	Description	QTY	Local
		CN941	QGF0528F4-60X	CONNECTOR	FFC/FPC (1-60)	1
		CN951	QGF0534F6-10X	CONNECTOR	FFC/FPC (1-10)	1
		CN991	QGF0572F1-60X	CONNECTOR	FFC/FPC (1-60)	1
△	F9001	NMFZ018-R75X-E	FUSE	0.75A	1	
△	F9901	NMFZ018-R75X-E	FUSE	0.75A	1	
	J8601	QNS0033-002	3.5 JACK		1	
	JS841	QSW1279-001	ROTARY ENCODER		1	
	K8601	NQR0022-005X	FERRITE BEADS		1	
	K8602	NQR0022-005X	FERRITE BEADS		1	
	K8603	NQR0022-005X	FERRITE BEADS		1	
	K9272	NQR0269-013X	FERRITE BEADS		1	
	K9273	NQR0269-013X	FERRITE BEADS		1	
	K9274	NQR0269-013X	FERRITE BEADS		1	
	K9275	NQR0269-013X	FERRITE BEADS		1	
	K9276	NQR0269-013X	FERRITE BEADS		1	
	K9277	NQR0269-013X	FERRITE BEADS		1	
	K9278	NQR0269-013X	FERRITE BEADS		1	
	K9279	NQR0269-013X	FERRITE BEADS		1	
	K9280	NQR0269-013X	FERRITE BEADS		1	
	K9281	NQR0269-013X	FERRITE BEADS		1	
	K9282	NQR0269-013X	FERRITE BEADS		1	
	K9283	NQR0269-013X	FERRITE BEADS		1	
	K9284	NQR0269-013X	FERRITE BEADS		1	
	K9285	NQR0269-013X	FERRITE BEADS		1	
	K9301	NQR0269-013X	FERRITE BEADS		1	
	K9302	NQR0269-013X	FERRITE BEADS		1	
	K9303	NQR0269-013X	FERRITE BEADS		1	
	K9304	NQR0269-013X	FERRITE BEADS		1	
	K9305	NQR0269-013X	FERRITE BEADS		1	
	K9307	NQR0269-013X	FERRITE BEADS		1	
	K9308	NQR0269-013X	FERRITE BEADS		1	
	K9309	NQR0269-013X	FERRITE BEADS		1	
	K9310	NQR0269-013X	FERRITE BEADS		1	
	K9311	NQR0269-013X	FERRITE BEADS		1	
	K9313	NQR0269-013X	FERRITE BEADS		1	
	S8101	NSW0326-001X	TACT SWITCH		1	
	S8102	NSW0326-001X	TACT SWITCH		1	
	S8201	NSW0326-001X	TACT SWITCH		1	
	S8202	NSW0326-001X	TACT SWITCH		1	
	TH901	NAD0028-103X	N THERMISTOR	10kΩ	1	
DVD UNIT(FMU-XM5-11D) <08>						
	IC1	BD8215EFV-X	IC		1	
	IC3	MM3233CF-X	IC		1	
	IC9	RT3CLLM/EF/-X	TRANSISTOR		1	
	IC10	RT3K11M-X	MOS FET ARRAY		1	
	IC301	MN2DS0018MA	IC		1	
	IC302	MM1701CH-X	IC		1	
	IC304	XC6120N282NG-X	IC		1	
	IC398	JVM544D	IC		1	
	IC399	M12L1281687TG2L	IC(DIGITAL)		1	
	IC399 or	A3V28S40FTP-G6	IC		1	
	IC481	BR24S32FVT-W-X	IC(DIGITAL)		1	
	IC501	TC74LCX373FT-X	IC(DIGITAL)		1	
	IC502	TC74LCX373FT-X	IC(DIGITAL)		1	
	Q2	RT1N141U-X	DIGI TRANSISTOR		1	
	Q2 or	KRC402E-X	DIGI TRANSISTOR		1	
	Q2 or	DRC9114E-X	DIGI TRANSISTOR		1	
	Q4	DSC2001/R/-X	TRANSISTOR		1	
	Q7	DSC2001/R/-X	TRANSISTOR		1	
	Q101	2SB1424/R/-W	TRANSISTOR		1	
	Q101 or	2SA1363/EF/-X	TRANSISTOR		1	
	Q103	2SB1424/R/-W	TRANSISTOR		1	
	Q103 or	2SA1363/EF/-X	TRANSISTOR		1	
	Q105	2SC4617/QR/-X	TRANSISTOR		1	
	Q105 or	KTC4075E/YG/-X	TRANSISTOR		1	
	Q301	RT1N441U-X	DIGI TRANSISTOR		1	
	Q301 or	KRC404E-X	DIGI TRANSISTOR		1	
	Q301 or	DRC9144E-X	DIGI TRANSISTOR		1	
	Q302	RT1N441U-X	DIGI TRANSISTOR		1	
	Q302 or	KRC404E-X	DIGI TRANSISTOR		1	
	Q302 or	DRC9144E-X	DIGI TRANSISTOR		1	
	D6	AN1102W-6-X	IR LED		1	
	D7	AN1102W-6-X	IR LED		1	
	D9	PS1192HB-22-X	PHOTO TRANSISTOR		1	
	D11	PS1192HB-22-X	PHOTO TRANSISTOR		1	
	C2	NCB31CK-104X	C CAPACITOR	0.1uF 16V	1	
	C3	NCB31CK-104X	C CAPACITOR	0.1uF 16V	1	
	C4	NCB31CK-104X	C CAPACITOR	0.1uF 16V	1	
	C5	NCB31CK-104X	C CAPACITOR	0.1uF 16V	1	
	C6	NCB31CK-104X	C CAPACITOR	0.1uF 16V	1	
	C7	NCB31CK-104X	C CAPACITOR	0.1uF 16V	1	
	C8	NCB31CK-104X	C CAPACITOR	0.1uF 16V	1	
	C9	NCB31CK-104X	C CAPACITOR	0.1uF 16V	1	
	C11	NCB31CK-104X	C CAPACITOR	0.1uF 16V	1	
	C12	NCB31CK-104X	C CAPACITOR	0.1uF 16V	1	
	C13	NCB31CK-104X	C CAPACITOR	0.1uF 16V	1	
	C14	NCB31CK-104X	C CAPACITOR	0.1uF 16V	1	
	C15	NCB31CK-104X	C CAPACITOR	0.1uF 16V	1	
	C16	NCB31CK-104X	C CAPACITOR	0.1uF 16V	1	
	C17	NCB31CK-104X	C CAPACITOR	0.1uF 16V	1	
	C18	NCB31CK-104X	C CAPACITOR	0.1uF 16V	1	
	C19	NCB31CK-104X	C CAPACITOR	0.1uF 16V	1	

MODEL	MARK	MODEL	MARK
KW-NT300J	A	KW-NT500HDTJ	B

Safe	Symbol No.	Parts No.	Parts Name	Description	QTY	Local
	C20	NCB31CK-104X	C CAPACITOR	0.1uF 16V	1	
	C21	NCJ20JM-226X-A	C CAPACITOR	22uF 6.3V M	1	
	C22	NCJ10JM-476X-A	C CAPACITOR	47uF 6.3V M	1	
	C23	NCJ10JM-476X-A	C CAPACITOR	47uF 6.3V M	1	
	C24	NCB31CK-104X	C CAPACITOR	0.1uF 16V	1	
	C25	NCB31CK-104X	C CAPACITOR	0.1uF 16V	1	
	C26	NCB31CK-104X	C CAPACITOR	0.1uF 16V	1	
	C31	NCB31HK-122X	C CAPACITOR	1200pF 50V K	1	
	C32	NCB31HK-122X	C CAPACITOR	1200pF 50V K	1	
	C60	NCB31HK-103X	C CAPACITOR	0.01uF 50V K	1	
	C63	NCJ20JM-226X-A	C CAPACITOR	22uF 6.3V M	1	
	C65	NCB31CK-104X	C CAPACITOR	0.1uF 16V	1	
	C66	NCB31CK-104X	C CAPACITOR	0.1uF 16V	1	
	C67	NCB31HK-103X	C CAPACITOR	0.01uF 50V K	1	
	C68	NCB31CK-104X	C CAPACITOR	0.1uF 16V	1	
	C69	NCB31CK-105X	C CAPACITOR	1uF 16V K	1	
	C70	NCB31CK-104X	C CAPACITOR	0.1uF 16V	1	
	C71	NCB31CK-104X	C CAPACITOR	0.1uF 16V	1	
	C72	NCB31CK-105X	C CAPACITOR	1uF 16V K	1	
	C73	NCB31CK-104X	C CAPACITOR	0.1uF 16V	1	
	C74	NCB31CK-104X	C CAPACITOR	0.1uF 16V	1	
	C75	NCB31CK-104X	C CAPACITOR	0.1uF 16V	1	
	C76	NCB31CK-104X	C CAPACITOR	0.1uF 16V	1	
	C77	NCB31CK-104X	C CAPACITOR	0.1uF 16V	1	
	C78	NCB31CK-104X	C CAPACITOR	0.1uF 16V	1	
	C79	NCB31CK-104X	C CAPACITOR	0.1uF 16V	1	
	C80	NCB31CK-105X	C CAPACITOR	1uF 16V K	1	
	C81	NDC31HJ-120X	C CAPACITOR	12pF 50V J	1	
	C82	NDC31HJ-120X	C CAPACITOR	12pF 50V J	1	
	C83	NCB31CK-104X	C CAPACITOR	0.1uF 16V	1	
	C84	NCB31HK-333X	C CAPACITOR	0.033uF 50V K	1	
	C85	NCB31CK-104X	C CAPACITOR	0.1uF 16V	1	
	C86	NCB31CK-104X	C CAPACITOR	0.1uF 16V	1	
	C87	NCB31CK-104X	C CAPACITOR	0.1uF 16V	1	
	C88	NCB31CK-104X	C CAPACITOR	0.1uF 16V	1	
	C89	NCB31HK-183X	C CAPACITOR	0.018uF 50V K	1	
	C90	NCB31HK-562X	C CAPACITOR	5600pF 50V K	1	
	C91	NCB31CK-104X	C CAPACITOR	0.1uF 16V	1	
	C92	NCB31CK-105X	C CAPACITOR	1uF 16V K	1	
	C93	NCB31CK-105X	C CAPACITOR	1uF 16V K	1	
	C99	NCB31CK-104X	C CAPACITOR	0.1uF 16V	1	
	C100	NCB31CK-684X	C CAPACITOR	0.68uF 16V K	1	
	C101	NCB31CK-104X	C CAPACITOR	0.1uF 16V	1	
	C102	NCB31CK-684X	C CAPACITOR	0.68uF 16V K	1	
	C109	NCB31CK-105X	C CAPACITOR	1uF 16V K	1	
	C113	NCB31CK-105X	C CAPACITOR	1uF 16V K	1	
	C117	NCB31CK-105X	C CAPACITOR	1uF 16V K	1	
	C118	NCB31HK-103X	C CAPACITOR	0.01uF 50V K	1	
	C121	NCB31CK-104X	C CAPACITOR	0.1uF 16V	1	
	C122	NCB31CK-104X	C CAPACITOR	0.1uF 16V	1	
	C125	NCB31CK-104X	C CAPACITOR	0.1uF 16V	1	
	C126	NCB31CK-104X	C CAPACITOR	0.1uF 16V	1	
	C127	NCB31CK-104X	C CAPACITOR	0.1uF 16V	1	
	C128	NCB31CK-104X	C CAPACITOR	0.1uF 16V	1	
	C129	NCB31CK-104X	C CAPACITOR	0.1uF 16V	1	
	C130	NCB31CK-104X	C CAPACITOR	0.1uF 16V	1	
	C131	NCB31CK-104X	C CAPACITOR	0.1uF 16V	1	
	C132	NCB31CK-104X	C CAPACITOR	0.1uF 16V	1	
	C133	NCB31CK-104X	C CAPACITOR	0.1uF 16V	1	
	C134	NCB31CK-104X	C CAPACITOR	0.1uF 16V	1	
	C135	NCB31CK-104X	C CAPACITOR	0.1uF 16V	1	
	C136	NCB31CK-104X	C CAPACITOR	0.1uF 16V	1	
	C137	NCJ20JM-226X-A	C CAPACITOR	22uF 6.3V M	1	
	C139	NCJ20JM-226X-A	C CAPACITOR	22uF 6.3V M	1	
	C149	NDC31HJ-471X	C CAPACITOR	470pF 50V J	1	
	C156	NCB31CK-104X	C CAPACITOR	0.1uF 16V	1	
	C164	NCB31CK-105X	C CAPACITOR	1uF 16V K	1	
	C168	NCB31HK-272X	C CAPACITOR	2700pF 50V K	1	
	C170	NCB31CK-104X	C CAPACITOR	0.1uF 16V	1	
	C173	NCB31CK-104X	C CAPACITOR	0.1uF 16V	1	
	C174	NCB31CK-104X	C CAPACITOR	0.1uF 16V	1	
	C175	NCJ41CK-476X-A	C CAPACITOR	47uF 16V K	1	
	C176	NCB31CK-104X	C CAPACITOR	0.1uF 16V	1	
	C177	NCB31CK-104X	C CAPACITOR	0.1uF 16V	1	
	C178	NCB31CK-104X	C CAPACITOR	0.1uF 16V	1	
	C197	NCB31CK-104X	C CAPACITOR	0.1uF 16V	1	
	C199	NCB31CK-104X	C CAPACITOR	0.1uF 16V	1	
	C200	NCJ10JM-476X-A	C CAPACITOR	47uF 6.3V M	1	
	C201	NCB31CK-104X	C CAPACITOR	0.1uF 16V	1	
	C205	NCB21AK-225X	C CAPACITOR	2.2uF 10V K	1	
	C206	NCB31HK-222X	C CAPACITOR	2200pF 50V K	1	
	C211	NCB31CK-104X	C CAPACITOR	0.1uF 16V	1	
	C215	NDC31HJ-181X	C CAPACITOR	180pF 50V J	1	
	C216	NCB31CK-104X	C CAPACITOR	0.1uF 16V	1	
	C218	NCB31CK-104X	C CAPACITOR	0.1uF 16V	1	
	C219	NCB31HK-223X	C CAPACITOR	0.022uF 50V K	1	
	C220	NCB31HK-102X	C CAPACITOR	1000pF 50V K	1	
	C222	NCB31CK-104X	C CAPACITOR	0.1uF 16V	1	
	C223	NCB31HK-102X	C CAPACITOR	1000pF 50V K	1	
	C224	NCB21AK-225X	C CAPACITOR	2.2uF 10V K	1	
	C225	NCJ41CK-476X-A	C CAPACITOR	47uF 16V K	1	
	C228	NCB31HK-102X	C CAPACITOR	1000pF 50V K	1	

MODEL	MARK	MODEL	MARK
KW-NT300J	A	KW-NT500HDTJ	B

Safe	Symbol No.	Parts No.	Parts Name	Description	QTY	Local
	C229	NCB31HK-223X	C CAPACITOR	0.022uF 50V K	1	
	C232	NCJ41CK-476X-A	C CAPACITOR	47uF 16V K	1	
	C233	NCB31CK-105X	C CAPACITOR	1uF 16V K	1	
	C235	NCB31HK-102X	C CAPACITOR	1000pF 50V K	1	
	C237	NCB31HK-221X	C CAPACITOR	220pF 50V K	1	
	C238	NCB31CK-104X	C CAPACITOR	0.1uF 16V	1	
	C240	NCB31CK-104X	C CAPACITOR	0.1uF 16V	1	
	C241	NCB31CK-104X	C CAPACITOR	0.1uF 16V	1	
	C251	NRSA63J-0R0X	MG RESISTOR	0Ω 1/10W J	1	
	C252	NRSA63J-0R0X	MG RESISTOR	0Ω 1/10W J	1	
	R46	NRSA6AD-103W	MG RESISTOR	10kΩ 1/16W D	1	
	R47	NRSA6AD-103W	MG RESISTOR	10kΩ 1/16W D	1	
	R49	NRSA63J-0R0X	MG RESISTOR	0Ω 1/10W J	1	
	R54	NRSA6AD-910W	MG RESISTOR	91Ω 1/16W D	1	
	R55	NRSA6AD-910W	MG RESISTOR	91Ω 1/16W D	1	
	R56	NRSA6AD-432W	MG RESISTOR	4.3kΩ 1/16W D	1	
	R57	NRSA6AD-242W	MG RESISTOR	2.4kΩ 1/16W D	1	
	R58	NRZ0122-390X	MG RESISTOR	39Ω	1	
	R59	NRSA63J-2R2X	MG RESISTOR	2.2Ω 1/16W J	1	
	R60	NRSA6AD-102W	MG RESISTOR	1kΩ 1/16W D	1	
	R61	NRSA6AD-471W	MG RESISTOR	470Ω 1/16W D	1	
	R62	NRSA6AD-471W	MG RESISTOR	470Ω 1/16W D	1	
	R64	NRSA63D-432X	MG RESISTOR	4.3kΩ 1/16W D	1	
	R65	NRSA63D-242X	MG RESISTOR	2.4kΩ 1/16W D	1	
	R66	NRZ0122-270X	MG RESISTOR	27Ω	1	
	R67	NRSA63J-2R2X	MG RESISTOR	2.2Ω 1/16W J	1	
	R68	NRSA6AD-102W	MG RESISTOR	1kΩ 1/16W D	1	
	R69	NRSA63J-471X	MG RESISTOR	470Ω 1/16W J	1	
	R70	NRSA6AD-471W	MG RESISTOR	470Ω 1/16W D	1	
	R79	NRSA6AD-104W	MG RESISTOR	100kΩ 1/16W D	1	
	R83	NRSA6AD-103W	MG RESISTOR	10kΩ 1/16W D	1	
	R89	NRSA63J-103X	MG RESISTOR	10kΩ 1/16W J	1	
	R92	NRSA63J-473X	MG RESISTOR	47kΩ 1/16W J	1	
	R93	NRSA6AD-222W	MG RESISTOR	2.2kΩ 1/16W D	1	
	R94	NRSA6AD-222W	MG RESISTOR	2.2kΩ 1/16W D	1	
	R99	NRSA63J-0R0X	MG RESISTOR	0Ω 1/10W J	1	
	R100	NRSA6AD-103W	MG RESISTOR	10kΩ 1/16W D	1	
	R104	NRSA63J-0R0X	MG RESISTOR	0Ω 1/10W J	1	
	R105	NRSA63J-0R0X	MG RESISTOR	0Ω 1/10W J	1	
	R107	NRSA63J-152X	MG RESISTOR	1.5kΩ 1/16W J	1	
	R113	NRSA63J-0R0X	MG RESISTOR	0Ω 1/10W J	1	
	R117	NRSA6AD-103W	MG RESISTOR	10kΩ 1/16W D	1	
	R120	NRSA63J-152X	MG RESISTOR	1.5kΩ 1/16W J	1	
	R122	NRSA6AD-103W	MG RESISTOR	10kΩ 1/16W D	1	
	R128	NRSA6AD-270W	MG RESISTOR	27Ω 1/16W D	1	
	R129	NRSA6AD-103W	MG RESISTOR	10kΩ 1/16W D	1	
	R131	NRSA6AD-102W	MG RESISTOR	1kΩ 1/16W D	1	
	R132	NRSA6AD-102W	MG RESISTOR	1kΩ 1/16W D	1	
	R133	NRSA6AD-223W	MG RESISTOR	22kΩ 1/16W D	1	
	R135	NRSA63J-102X	MG RESISTOR	1kΩ 1/16W J	1	
	R136	NRSA63J-0R0X	MG RESISTOR	0Ω 1/10W J	1	
	R137	NRSA63J-0R0X	MG RESISTOR	0Ω 1/10W J	1	
	R141	NRSA63D-332X	MG RESISTOR	3.3kΩ 1/16W D	1	
	R142	NRSA63J-0R0X	MG RESISTOR	0Ω 1/10W J	1	
	R144	NRSA6AD-103W	MG RESISTOR	10kΩ 1/16W D	1	
	R145	NRSA6AD-103W	MG RESISTOR	10kΩ 1/16W D	1	
	R147	NRSA63J-104X	MG RESISTOR	100kΩ 1/16W J	1	
	R152	NRSA63J-0R0X	MG RESISTOR	0Ω 1/10W J	1	
	R153	NRSA6AD-162W	MG RESISTOR	1.6kΩ 1/16W D	1	
	R154	NRSA63J-0R0X	MG RESISTOR	0Ω 1/10W J	1	
	R156	NRSA63J-0R0X	MG RESISTOR	0Ω 1/10W J	1	
	R160	NRSA63D-303X	MG RESISTOR	30kΩ 1/16W D	1	
	R163	NRSA6AD-103W	MG RESISTOR	10kΩ 1/16W D	1	
	R164	NRSA63J-181X	MG RESISTOR	180Ω 1/16W J	1	
	R165	NRSA6AD-473W	MG RESISTOR	47kΩ 1/16W D	1	
	R166	NRSA6AD-473W	MG RESISTOR	47kΩ 1/16W D	1	
	R168	NRSA6AD-473W	MG RESISTOR	47kΩ 1/16W D	1	
	R170	NRSA6AD-151W	MG RESISTOR	150Ω 1/16W D	1	
	R171	NRSA63J-105X	MG RESISTOR	1MΩ 1/16W J	1	
	R172	NRSA6AD-101W	MG RESISTOR	100Ω 1/16W D	1	
	R173	NRSA6AD-101W	MG RESISTOR	100Ω 1/16W D	1	
	R174	NRSA6AD-101W	MG RESISTOR	100Ω 1/16W D	1	
	R177	NRSA63J-0R0X	MG RESISTOR	0Ω 1/10W J	1	
	R178	NRSA63J-0R0X	MG RESISTOR	0Ω 1/10W J	1	
	R189	NRSA6AD-331W	MG RESISTOR	330Ω 1/16W D	1	
	R190	NRSA6AD-331W	MG RESISTOR	330Ω 1/16W D	1	
	R195	NRSA6AD-103W	MG RESISTOR	10kΩ 1/16W D	1	
	R201	NRSA63J-102X	MG RESISTOR	1kΩ 1/16W J	1	
	R205	NRSA6AD-103W	MG RESISTOR	10kΩ 1/16W D	1	
	R211	NRSA6AD-473W	MG RESISTOR	47kΩ 1/16W D	1	
	R215	NRSA63D-122X	MG RESISTOR	1.2kΩ 1/16W D	1	
	R216	NRSA63D-122X	MG RESISTOR	1.2kΩ 1/16W D	1	
	R219	NRSA63J-150X	MG RESISTOR	15Ω 1/16W J	1	
	R220	NRSA63J-0R0X	MG RESISTOR	0Ω 1/10W J	1	
	R223	NRSA63J-0R0X	MG RESISTOR	0Ω 1/10W J	1	
	R229	NRSA63J-0R0X	MG RESISTOR	0Ω 1/10W J	1	
	R233	NRSA6AD-103W	MG RESISTOR	10kΩ 1/16W D	1	
	R240	NRSA63J-0R0X	MG RESISTOR	0Ω 1/10W J	1	
	R241	NRSA63J-0R0X	MG RESISTOR	0Ω 1/10W J	1	
	R242	NRSA63J-0R0X	MG RESISTOR	0Ω 1/10W J	1	
	R248	NRSA63J-0R0X	MG RESISTOR	0Ω 1/10W J	1	
	R250	NRSA63J-0R0X	MG RESISTOR	0Ω 1/10W J	1	
	R252	NRSA63J-0R0X	MG RESISTOR	0Ω 1/10W J	1	

MODEL	MARK	MODEL	MARK
KW-NT300J	A	KW-NT500HDTJ	B

Safe	Symbol No.	Parts No.	Parts Name	Description	QTY	Local
	R253	NRSA63J-0R0X	MG RESISTOR	0Ω 1/10W J	1	
	R254	NRSA63J-0R0X	MG RESISTOR	0Ω 1/10W J	1	
	R255	NRSA63J-0R0X	MG RESISTOR	0Ω 1/10W J	1	
	R258	NRSA63J-0R0X	MG RESISTOR	0Ω 1/10W J	1	
	R259	NRSA63J-0R0X	MG RESISTOR	0Ω 1/10W J	1	
	R260	NRSA63J-103X	MG RESISTOR	10kΩ 1/16W J	1	
	R265	NRSA6AD-103W	MG RESISTOR	10kΩ 1/16W D	1	
	R267	NRSA6AD-472W	MG RESISTOR	4.7kΩ 1/16W D	1	
	R268	NRSA63J-0R0X	MG RESISTOR	0Ω 1/10W J	1	
	R270	NRSA63J-0R0X	MG RESISTOR	0Ω 1/10W J	1	
	R272	NRSA63J-0R0X	MG RESISTOR	0Ω 1/10W J	1	
	R273	NRSA63J-0R0X	MG RESISTOR	0Ω 1/10W J	1	
	R275	NRSA63J-0R0X	MG RESISTOR	0Ω 1/10W J	1	
	R303	NRZ0098-R18X	MG RESISTOR	0.18Ω	1	
	R309	NRZ0098-R47X	MG RESISTOR	0.47Ω	1	
	R310	NRSA6AD-333W	MG RESISTOR	33kΩ 1/16W D	1	
	R311	NRSA63J-391X	MG RESISTOR	390Ω 1/16W J	1	
	R318	NRSA63J-203X	MG RESISTOR	20kΩ 1/16W J	1	
	R319	NRSA6AD-622W	MG RESISTOR	6.2kΩ 1/16W D	1	
	R323	NRSA6AD-391W	MG RESISTOR	390Ω 1/16W D	1	
	R324	NRSA63D-682X	MG RESISTOR	6.8kΩ 1/16W D	1	
	R325	NRSA63D-753X	MG RESISTOR	75kΩ 1/16W D	1	
	R329	NRZ0098-R47X	MG RESISTOR	0.47Ω	1	
	R352	NRSA6AD-102W	MG RESISTOR	1kΩ 1/16W D	1	
	R357	NRZ0098-R22X	MG RESISTOR	0.22Ω	1	
	R359	NRSA6AD-243W	MG RESISTOR	24kΩ 1/16W D	1	
	R362	NRSA63J-103X	MG RESISTOR	10kΩ 1/16W J	1	
	R364	NRSA63J-391X	MG RESISTOR	390Ω 1/16W J	1	
	R365	NRSA6AD-103W	MG RESISTOR	10kΩ 1/16W D	1	
	R366	NRZ0098-R22X	MG RESISTOR	0.22Ω	1	
	R367	NRSA6AD-104W	MG RESISTOR	100kΩ 1/16W D	1	
	R369	NRZ0098-R22X	MG RESISTOR	0.22Ω	1	
	R371	NRSA63J-0R0X	MG RESISTOR	0Ω 1/10W J	1	
	R375	NRSA6AD-152W	MG RESISTOR	1.5kΩ 1/16W D	1	
	R376	NRSA6AD-822W	MG RESISTOR	8.2kΩ 1/16W D	1	
	R379	NRSA63D-332X	MG RESISTOR	3.3kΩ 1/16W D	1	
	R380	NRSA63J-223X	MG RESISTOR	22kΩ 1/16W J	1	
	R382	NRSA6AD-102W	MG RESISTOR	1kΩ 1/16W D	1	
	R383	NRSA63J-223X	MG RESISTOR	22kΩ 1/16W J	1	
	R384	NRSA6AD-104W	MG RESISTOR	100kΩ 1/16W D	1	
	R386	NRSA6AD-184W	MG RESISTOR	180kΩ 1/16W D	1	
	R387	NRSA63D-473X	MG RESISTOR	47kΩ 1/16W D	1	
	R391	NRSA6AD-822W	MG RESISTOR	8.2kΩ 1/16W D	1	
	R392	NRSA63J-103X	MG RESISTOR	10kΩ 1/16W J	1	
	R393	NRSA6AD-103W	MG RESISTOR	10kΩ 1/16W D	1	
	R394	NRSA63J-393X	MG RESISTOR	39kΩ 1/16W J	1	
	R397	NRSA6AD-101W	MG RESISTOR	100Ω 1/16W D	1	
	R400	NRSA6AD-153W	MG RESISTOR	15kΩ 1/16W D	1	
	R402	NRSA6AD-473W	MG RESISTOR	47kΩ 1/16W D	1	
	R403	NRSA63J-101X	MG RESISTOR	100Ω 1/16W J	1	
	R406	NRZ0098-R22X	MG RESISTOR	0.22Ω	1	
	R417	NRSA63J-333X	MG RESISTOR	33kΩ 1/16W J	1	
	R419	NRSA63D-104X	MG RESISTOR	100kΩ 1/16W D	1	
	R420	NRSA6AD-184W	MG RESISTOR	180kΩ 1/16W D	1	
	CN1	QGF0523F3-20W	CONNECTOR	FFC/FPC (1-20)	1	
	CN2	QGA1002F1-03X	CONNECTOR	W-B (1-3)	1	
	CN101	QGF0522F2-30W	CONNECTOR	FFC/FPC (1-30)	1	
	CN403	QGF0534F5-50X	CONNECTOR	FFC/FPC (1-50)	1	
	K7	NRSA63J-101X	MG RESISTOR	100Ω 1/16W J	1	
	K8	NRSA63J-0R0X	MG RESISTOR	0Ω 1/10W J	1	
	K9	NRSA63J-101X	MG RESISTOR	100Ω 1/16W J	1	
	K10	NRSA63J-101X	MG RESISTOR	100Ω 1/16W J	1	
	K101	NQR0007-002X	FERRITE BEADS		1	
	K102	NQR0007-002X	FERRITE BEADS		1	
	K103	NQR0502-001X	FERRITE BEADS		1	
	K108	NQR0129-002X	FERRITE BEADS		1	
	K110	NQR0129-002X	FERRITE BEADS		1	
	K111	NQR0129-002X	FERRITE BEADS		1	
	K112	NQR0129-002X	FERRITE BEADS		1	
	K113	NQR0502-001X	FERRITE BEADS		1	
	K114	NQR0022-005X	FERRITE BEADS		1	
	K115	NQR0022-005X	FERRITE BEADS		1	
	K116	NQR0129-002X	FERRITE BEADS		1	
	K117	NQR0022-005X	FERRITE BEADS		1	
	K118	NRSA63J-0R0X	MG RESISTOR	0Ω 1/10W J	1	
	K119	NRSA63J-0R0X	MG RESISTOR	0Ω 1/10W J	1	
	K120	NRSA63J-0R0X	MG RESISTOR	0Ω 1/10W J	1	
	K124	NRSA63J-0R0X	MG RESISTOR	0Ω 1/10W J	1	
	K132	NQR0022-005X	FERRITE BEADS		1	
	K137	NRSA63J-0R0X	MG RESISTOR	0Ω 1/10W J	1	
	K141	NRSA63J-0R0X	MG RESISTOR	0Ω 1/10W J	1	
	K142	NRSA63J-0R0X	MG RESISTOR	0Ω 1/10W J	1	
	S1	NSW0313-001X	DETECT SWITCH		1	
	S1 or	NSW0225-001X	DETECT SWITCH		1	
	X351	NAX0741-001X	CRYSTAL	27.000MHZ	1	
	DVD UNIT(FMU-XM5-31D) <09>					
	IC1	BD7905BFS-X	IC		1	
	IC3	MM3233CF-X	IC		1	
	IC9	RT3CLLM/EF/-X	TRANSISTOR		1	
	IC10	RT3K11M-X	MOS FET ARRAY		1	
	IC301	MN2DS0018MA	IC		1	

MODEL	MARK	MODEL	MARK
KW-NT300J	A	KW-NT500HDTJ	B

Safe	Symbol No.	Parts No.	Parts Name	Description	QTY	Local
	IC302	MM1701CH-X	IC		1	
	IC304	XC6120N282NG-X	IC		1	
	IC398	JVM592C	IC		1	
	IC399	M12L1281687TG2L	IC(DIGITAL)		1	
	IC399	A3V28S40FTP-G6	IC		1	
	IC481	BR24S32FVT-W-X	IC(DIGITAL)		1	
	IC501	TC74LCX373FT-X	IC(DIGITAL)		1	
	IC502	TC74LCX373FT-X	IC(DIGITAL)		1	
	Q2	RT1N141U-X	DIGI TRANSISTOR		1	
	Q2	DRC9114E-X	DIGI TRANSISTOR		1	
	Q2	KRC402E-X	DIGI TRANSISTOR		1	
	Q4	DSC2001/R/-X	TRANSISTOR		1	
	Q7	DSC2001/R/-X	TRANSISTOR		1	
	Q101	2SB1424/R/-W	TRANSISTOR		1	
	Q101	2SA1363/EF/-X	TRANSISTOR		1	
	Q103	2SB1424/R/-W	TRANSISTOR		1	
	Q103	2SA1363/EF/-X	TRANSISTOR		1	
	Q105	2SC4617/QR/-X	TRANSISTOR		1	
	Q105	KTC4075E/YG/-X	TRANSISTOR		1	
	Q301	RT1N441U-X	DIGI TRANSISTOR		1	
	Q301	DRC9144E-X	DIGI TRANSISTOR		1	
	Q301	KRC404E-X	DIGI TRANSISTOR		1	
	Q302	RT1N441U-X	DIGI TRANSISTOR		1	
	Q302	DRC9144E-X	DIGI TRANSISTOR		1	
	Q302	KRC404E-X	DIGI TRANSISTOR		1	
	D6	AN1102W-6-X	IR LED		1	
	D7	AN1102W-6-X	IR LED		1	
	D9	PS1192HB-22-X	PHOTO TRANSISTOR		1	
	D11	PS1192HB-22-X	PHOTO TRANSISTOR		1	
	C2	NCB31CK-104X	C CAPACITOR	0.1uF 16V	1	
	C3	NCB31CK-104X	C CAPACITOR	0.1uF 16V	1	
	C4	NCB31CK-104X	C CAPACITOR	0.1uF 16V	1	
	C5	NCB31CK-104X	C CAPACITOR	0.1uF 16V	1	
	C6	NCB31CK-104X	C CAPACITOR	0.1uF 16V	1	
	C7	NCB31CK-104X	C CAPACITOR	0.1uF 16V	1	
	C8	NCB31CK-104X	C CAPACITOR	0.1uF 16V	1	
	C9	NCB31CK-104X	C CAPACITOR	0.1uF 16V	1	
	C11	NCB31CK-104X	C CAPACITOR	0.1uF 16V	1	
	C12	NCB31CK-104X	C CAPACITOR	0.1uF 16V	1	
	C13	NCB31CK-104X	C CAPACITOR	0.1uF 16V	1	
	C14	NCB31CK-104X	C CAPACITOR	0.1uF 16V	1	
	C15	NCB31CK-104X	C CAPACITOR	0.1uF 16V	1	
	C16	NCB31CK-104X	C CAPACITOR	0.1uF 16V	1	
	C17	NCB31CK-104X	C CAPACITOR	0.1uF 16V	1	
	C18	NCB31CK-104X	C CAPACITOR	0.1uF 16V	1	
	C19	NCB31CK-104X	C CAPACITOR	0.1uF 16V	1	
	C20	NCB31CK-104X	C CAPACITOR	0.1uF 16V	1	
	C21	NCJ20JM-226X-A	C CAPACITOR	22uF 6.3V M	1	
	C22	NCJ10JM-476X-A	C CAPACITOR	47uF 6.3V M	1	
	C23	NCJ10JM-476X-A	C CAPACITOR	47uF 6.3V M	1	
	C24	NCB31CK-104X	C CAPACITOR	0.1uF 16V	1	
	C25	NCB31CK-104X	C CAPACITOR	0.1uF 16V	1	
	C26	NCB31CK-104X	C CAPACITOR	0.1uF 16V	1	
	C31	NCB31HK-122X	C CAPACITOR	1200pF 50V K	1	
	C32	NCB31HK-122X	C CAPACITOR	1200pF 50V K	1	
	C60	NCB31HK-103X	C CAPACITOR	0.01uF 50V K	1	
	C63	NCJ20JM-226X-A	C CAPACITOR	22uF 6.3V M	1	
	C65	NCB31CK-104X	C CAPACITOR	0.1uF 16V	1	
	C66	NCB31CK-104X	C CAPACITOR	0.1uF 16V	1	
	C67	NCB31HK-103X	C CAPACITOR	0.01uF 50V K	1	
	C68	NCB31CK-104X	C CAPACITOR	0.1uF 16V	1	
	C69	NCB31CK-105X	C CAPACITOR	1uF 16V K	1	
	C70	NCB31CK-104X	C CAPACITOR	0.1uF 16V	1	
	C71	NCB31CK-104X	C CAPACITOR	0.1uF 16V	1	
	C72	NCB31CK-105X	C CAPACITOR	1uF 16V K	1	
	C73	NCB31CK-104X	C CAPACITOR	0.1uF 16V	1	
	C74	NCB31CK-104X	C CAPACITOR	0.1uF 16V	1	
	C75	NCB31CK-104X	C CAPACITOR	0.1uF 16V	1	
	C76	NCB31CK-104X	C CAPACITOR	0.1uF 16V	1	
	C77	NCB31CK-104X	C CAPACITOR	0.1uF 16V	1	
	C78	NCB31CK-104X	C CAPACITOR	0.1uF 16V	1	
	C79	NCB31CK-104X	C CAPACITOR	0.1uF 16V	1	
	C80	NCB31CK-105X	C CAPACITOR	1uF 16V K	1	
	C81	NDC31HJ-120X	C CAPACITOR	12pF 50V J	1	
	C82	NDC31HJ-120X	C CAPACITOR	12pF 50V J	1	
	C83	NCB31CK-104X	C CAPACITOR	0.1uF 16V	1	
	C84	NCB31HK-333X	C CAPACITOR	0.033uF 50V K	1	
	C85	NCB31CK-104X	C CAPACITOR	0.1uF 16V	1	
	C86	NCB31CK-104X	C CAPACITOR	0.1uF 16V	1	
	C87	NCB31CK-104X	C CAPACITOR	0.1uF 16V	1	
	C88	NCB31CK-104X	C CAPACITOR	0.1uF 16V	1	
	C89	NCB31HK-183X	C CAPACITOR	0.018uF 50V K	1	
	C90	NCB31HK-562X	C CAPACITOR	5600pF 50V K	1	
	C91	NCB31CK-104X	C CAPACITOR	0.1uF 16V	1	
	C92	NCB31CK-105X	C CAPACITOR	1uF 16V K	1	
	C93	NCB31CK-105X	C CAPACITOR	1uF 16V K	1	
	C99	NCB31CK-104X	C CAPACITOR	0.1uF 16V	1	
	C100	NCB31CK-684X	C CAPACITOR	0.68uF 16V K	1	
	C101	NCB31CK-104X	C CAPACITOR	0.1uF 16V	1	
	C102	NCB31CK-684X	C CAPACITOR	0.68uF 16V K	1	
	C109	NCB31CK-105X	C CAPACITOR	1uF 16V K	1	
	C113	NCB31CK-105X	C CAPACITOR	1uF 16V K	1	
	C117	NCB31CK-105X	C CAPACITOR	1uF 16V K	1	

MODEL	MARK	MODEL	MARK
KW-NT300J	A	KW-NT500HDTJ	B

Safe	Symbol No.	Parts No.	Parts Name	Description	QTY	Local
	C118	NCB31HK-103X	C CAPACITOR	0.01uF 50V K	1	
	C121	NCB31CK-104X	C CAPACITOR	0.1uF 16V	1	
	C122	NCB31CK-104X	C CAPACITOR	0.1uF 16V	1	
	C125	NCB31CK-104X	C CAPACITOR	0.1uF 16V	1	
	C126	NCB31CK-104X	C CAPACITOR	0.1uF 16V	1	
	C127	NCB31CK-104X	C CAPACITOR	0.1uF 16V	1	
	C128	NCB31CK-104X	C CAPACITOR	0.1uF 16V	1	
	C129	NCB31CK-104X	C CAPACITOR	0.1uF 16V	1	
	C130	NCB31CK-104X	C CAPACITOR	0.1uF 16V	1	
	C131	NCB31CK-104X	C CAPACITOR	0.1uF 16V	1	
	C132	NCB31CK-104X	C CAPACITOR	0.1uF 16V	1	
	C133	NCB31CK-104X	C CAPACITOR	0.1uF 16V	1	
	C134	NCB31CK-104X	C CAPACITOR	0.1uF 16V	1	
	C135	NCB31CK-104X	C CAPACITOR	0.1uF 16V	1	
	C136	NCB31CK-104X	C CAPACITOR	0.1uF 16V	1	
	C137	NCJ20JM-226X-A	C CAPACITOR	22uF 6.3V M	1	
	C139	NCJ20JM-226X-A	C CAPACITOR	22uF 6.3V M	1	
	C149	NDC31HJ-471X	C CAPACITOR	470pF 50V J	1	
	C156	NCB31CK-104X	C CAPACITOR	0.1uF 16V	1	
	C164	NCB31CK-105X	C CAPACITOR	1uF 16V K	1	
	C168	NCB31HK-272X	C CAPACITOR	2700pF 50V K	1	
	C170	NCB31CK-104X	C CAPACITOR	0.1uF 16V	1	
	C173	NCB31CK-104X	C CAPACITOR	0.1uF 16V	1	
	C174	NCB31CK-104X	C CAPACITOR	0.1uF 16V	1	
	C175	NCJ41CK-476X-A	C CAPACITOR	47uF 16V K	1	
	C176	NCB31CK-104X	C CAPACITOR	0.1uF 16V	1	
	C177	NCB31CK-104X	C CAPACITOR	0.1uF 16V	1	
	C178	NCB31CK-104X	C CAPACITOR	0.1uF 16V	1	
	C197	NCB31CK-104X	C CAPACITOR	0.1uF 16V	1	
	C199	NCB31CK-104X	C CAPACITOR	0.1uF 16V	1	
	C200	NCJ10JM-476X-A	C CAPACITOR	47uF 6.3V M	1	
	C201	NCB31CK-104X	C CAPACITOR	0.1uF 16V	1	
	C211	NCB31CK-104X	C CAPACITOR	0.1uF 16V	1	
	C215	NCB31HK-102X	C CAPACITOR	1000pF 50V K	1	
	C216	NCB31CK-104X	C CAPACITOR	0.1uF 16V	1	
	C218	NCB31CK-104X	C CAPACITOR	0.1uF 16V	1	
	C219	NCB31HK-822X	C CAPACITOR	8200pF 50V K	1	
	C220	NCB31HK-102X	C CAPACITOR	1000pF 50V K	1	
	C222	NCB31CK-104X	C CAPACITOR	0.1uF 16V	1	
	C223	NCB31HK-102X	C CAPACITOR	1000pF 50V K	1	
	C225	NCJ41CK-476X-A	C CAPACITOR	47uF 16V K	1	
	C228	NCB31HK-102X	C CAPACITOR	1000pF 50V K	1	
	C229	NCB31HK-822X	C CAPACITOR	8200pF 50V K	1	
	C232	NCJ41CK-476X-A	C CAPACITOR	47uF 16V K	1	
	C233	NCB31CK-105X	C CAPACITOR	1uF 16V K	1	
	C235	NCB31HK-102X	C CAPACITOR	1000pF 50V K	1	
	C237	NDC31HK-111X	C CAPACITOR	110pF 50V K	1	
	C238	NCB31CK-104X	C CAPACITOR	0.1uF 16V	1	
	C240	NCB31CK-104X	C CAPACITOR	0.1uF 16V	1	
	C241	NCB31CK-104X	C CAPACITOR	0.1uF 16V	1	
	R46	NRSA6AD-103W	MG RESISTOR	10kΩ 1/16W D	1	
	R47	NRSA6AD-103W	MG RESISTOR	10kΩ 1/16W D	1	
	R49	NRSA63J-0R0X	MG RESISTOR	0Ω 1/10W J	1	
	R54	NRSA6AD-910W	MG RESISTOR	91Ω 1/16W D	1	
	R55	NRSA6AD-910W	MG RESISTOR	91Ω 1/16W D	1	
	R56	NRSA6AD-432W	MG RESISTOR	4.3kΩ 1/16W D	1	
	R57	NRSA6AD-242W	MG RESISTOR	2.4kΩ 1/16W D	1	
	R58	NRZ0122-390X	MG RESISTOR	39Ω	1	
	R59	NRSA63J-2R2X	MG RESISTOR	2.2Ω 1/16W J	1	
	R60	NRSA6AD-102W	MG RESISTOR	1kΩ 1/16W D	1	
	R61	NRSA6AD-471W	MG RESISTOR	470Ω 1/16W D	1	
	R62	NRSA6AD-471W	MG RESISTOR	470Ω 1/16W D	1	
	R64	NRSA63D-432X	MG RESISTOR	4.3kΩ 1/16W D	1	
	R65	NRSA63D-242X	MG RESISTOR	2.4kΩ 1/16W D	1	
	R66	NRZ0122-270X	MG RESISTOR	27Ω	1	
	R67	NRSA63J-2R2X	MG RESISTOR	2.2Ω 1/16W J	1	
	R68	NRSA6AD-102W	MG RESISTOR	1kΩ 1/16W D	1	
	R69	NRSA63J-471X	MG RESISTOR	470Ω 1/16W J	1	
	R70	NRSA6AD-471W	MG RESISTOR	470Ω 1/16W D	1	
	R79	NRSA6AD-104W	MG RESISTOR	100kΩ 1/16W D	1	
	R83	NRSA6AD-103W	MG RESISTOR	10kΩ 1/16W D	1	
	R89	NRSA63J-103X	MG RESISTOR	10kΩ 1/16W J	1	
	R93	NRSA6AD-222W	MG RESISTOR	2.2kΩ 1/16W D	1	
	R94	NRSA6AD-222W	MG RESISTOR	2.2kΩ 1/16W D	1	
	R99	NRSA63J-0R0X	MG RESISTOR	0Ω 1/10W J	1	
	R100	NRSA6AD-103W	MG RESISTOR	10kΩ 1/16W D	1	
	R104	NRSA63J-0R0X	MG RESISTOR	0Ω 1/10W J	1	
	R105	NRSA63J-0R0X	MG RESISTOR	0Ω 1/10W J	1	
	R107	NRSA63J-152X	MG RESISTOR	1.5kΩ 1/16W J	1	
	R113	NRSA63J-0R0X	MG RESISTOR	0Ω 1/10W J	1	
	R117	NRSA6AD-103W	MG RESISTOR	10kΩ 1/16W D	1	
	R120	NRSA63J-152X	MG RESISTOR	1.5kΩ 1/16W J	1	
	R122	NRSA6AD-103W	MG RESISTOR	10kΩ 1/16W D	1	
	R128	NRSA6AD-270W	MG RESISTOR	27Ω 1/16W D	1	
	R129	NRSA6AD-103W	MG RESISTOR	10kΩ 1/16W D	1	
	R131	NRSA6AD-102W	MG RESISTOR	1kΩ 1/16W D	1	
	R132	NRSA6AD-102W	MG RESISTOR	1kΩ 1/16W D	1	
	R133	NRSA6AD-223W	MG RESISTOR	22kΩ 1/16W D	1	
	R135	NRSA63J-102X	MG RESISTOR	1kΩ 1/16W J	1	
	R136	NRSA63J-0R0X	MG RESISTOR	0Ω 1/10W J	1	
	R137	NRSA63J-0R0X	MG RESISTOR	0Ω 1/10W J	1	
	R141	NRSA63D-332X	MG RESISTOR	3.3kΩ 1/16W D	1	

MODEL	MARK	MODEL	MARK
KW-NT300J	A	KW-NT500HDTJ	B

Safe	Symbol No.	Parts No.	Parts Name	Description	QTY	Local
	R142	NRSA63J-0R0X	MG RESISTOR	0Ω 1/10W J	1	
	R144	NRSA6AD-103W	MG RESISTOR	10kΩ 1/16W D	1	
	R145	NRSA6AD-103W	MG RESISTOR	10kΩ 1/16W D	1	
	R147	NRSA63J-104X	MG RESISTOR	100kΩ 1/16W J	1	
	R152	NRSA63J-0R0X	MG RESISTOR	0Ω 1/10W J	1	
	R153	NRSA6AD-162W	MG RESISTOR	1.6kΩ 1/16W D	1	
	R154	NRSA63J-0R0X	MG RESISTOR	0Ω 1/10W J	1	
	R156	NRSA63J-0R0X	MG RESISTOR	0Ω 1/10W J	1	
	R160	NRSA63D-303X	MG RESISTOR	30kΩ 1/16W D	1	
	R163	NRSA6AD-103W	MG RESISTOR	10kΩ 1/16W D	1	
	R164	NRSA63J-181X	MG RESISTOR	180Ω 1/16W J	1	
	R165	NRSA6AD-473W	MG RESISTOR	47kΩ 1/16W D	1	
	R166	NRSA6AD-473W	MG RESISTOR	47kΩ 1/16W D	1	
	R168	NRSA6AD-473W	MG RESISTOR	47kΩ 1/16W D	1	
	R170	NRSA6AD-151W	MG RESISTOR	150Ω 1/16W D	1	
	R171	NRSA63J-105X	MG RESISTOR	1MΩ 1/16W J	1	
	R172	NRSA6AD-101W	MG RESISTOR	100Ω 1/16W D	1	
	R173	NRSA6AD-101W	MG RESISTOR	100Ω 1/16W D	1	
	R174	NRSA6AD-101W	MG RESISTOR	100Ω 1/16W D	1	
	R177	NRSA63J-0R0X	MG RESISTOR	0Ω 1/10W J	1	
	R178	NRSA63J-0R0X	MG RESISTOR	0Ω 1/10W J	1	
	R189	NRSA6AD-331W	MG RESISTOR	330Ω 1/16W D	1	
	R190	NRSA6AD-331W	MG RESISTOR	330Ω 1/16W D	1	
	R195	NRSA6AD-103W	MG RESISTOR	10kΩ 1/16W D	1	
	R201	NRSA63J-102X	MG RESISTOR	1kΩ 1/16W J	1	
	R205	NRSA6AD-103W	MG RESISTOR	10kΩ 1/16W D	1	
	R211	NRSA6AD-473W	MG RESISTOR	47kΩ 1/16W D	1	
	R215	NRSA63D-122X	MG RESISTOR	1.2kΩ 1/16W D	1	
	R216	NRSA63D-122X	MG RESISTOR	1.2kΩ 1/16W D	1	
	R219	NRSA63J-150X	MG RESISTOR	15Ω 1/16W J	1	
	R220	NRSA63J-0R0X	MG RESISTOR	0Ω 1/10W J	1	
	R223	NRSA63J-0R0X	MG RESISTOR	0Ω 1/10W J	1	
	R229	NRSA63J-0R0X	MG RESISTOR	0Ω 1/10W J	1	
	R233	NRSA6AD-103W	MG RESISTOR	10kΩ 1/16W D	1	
	R240	NRSA63J-0R0X	MG RESISTOR	0Ω 1/10W J	1	
	R241	NRSA63J-0R0X	MG RESISTOR	0Ω 1/10W J	1	
	R242	NRSA63J-0R0X	MG RESISTOR	0Ω 1/10W J	1	
	R248	NRSA63J-0R0X	MG RESISTOR	0Ω 1/10W J	1	
	R250	NRSA63J-0R0X	MG RESISTOR	0Ω 1/10W J	1	
	R252	NRSA63J-0R0X	MG RESISTOR	0Ω 1/10W J	1	
	R253	NRSA63J-0R0X	MG RESISTOR	0Ω 1/10W J	1	
	R254	NRSA63J-0R0X	MG RESISTOR	0Ω 1/10W J	1	
	R255	NRSA63J-0R0X	MG RESISTOR	0Ω 1/10W J	1	
	R258	NRSA63J-0R0X	MG RESISTOR	0Ω 1/10W J	1	
	R259	NRSA63J-0R0X	MG RESISTOR	0Ω 1/10W J	1	
	R260	NRSA63J-103X	MG RESISTOR	10kΩ 1/16W J	1	
	R265	NRSA6AD-103W	MG RESISTOR	10kΩ 1/16W D	1	
	R267	NRSA6AD-472W	MG RESISTOR	4.7kΩ 1/16W D	1	
	R268	NRSA63J-0R0X	MG RESISTOR	0Ω 1/10W J	1	
	R303	NRZ0098-R18X	MG RESISTOR	0.18Ω	1	
	R309	NRZ0098-R47X	MG RESISTOR	0.47Ω	1	
	R310	NRSA6AJ-0R0W	MG RESISTOR	0Ω 1/16W J	1	
	R311	NRSA63J-391X	MG RESISTOR	390Ω 1/16W J	1	
	R319	NRSA6AD-472W	MG RESISTOR	4.7kΩ 1/16W D	1	
	R323	NRSA6AD-332W	MG RESISTOR	3.3kΩ 1/16W D	1	
	R329	NRZ0098-R47X	MG RESISTOR	0.47Ω	1	
	R352	NRSA6AD-102W	MG RESISTOR	1kΩ 1/16W D	1	
	R359	NRSA6AD-331W	MG RESISTOR	330Ω 1/16W D	1	
	R364	NRSA63J-391X	MG RESISTOR	390Ω 1/16W J	1	
	R365	NRSA6AD-103W	MG RESISTOR	10kΩ 1/16W D	1	
	R366	NRZ0098-R47X	MG RESISTOR	0.47Ω	1	
	R367	NRSA6AD-104W	MG RESISTOR	100kΩ 1/16W D	1	
	R371	NRSA63J-0R0X	MG RESISTOR	0Ω 1/10W J	1	
	R375	NRSA6AD-302W	MG RESISTOR	3kΩ 1/16W D	1	
	R376	NRSA6AD-822W	MG RESISTOR	8.2kΩ 1/16W D	1	
	R380	NRSA63J-623X	MG RESISTOR	62kΩ 1/16W J	1	
	R382	NRSA6AD-102W	MG RESISTOR	1kΩ 1/16W D	1	
	R383	NRSA63J-623X	MG RESISTOR	62kΩ 1/16W J	1	
	R384	NRSA6AD-104W	MG RESISTOR	100kΩ 1/16W D	1	
	R386	NRSA6AD-184W	MG RESISTOR	180kΩ 1/16W D	1	
	R391	NRSA6AD-822W	MG RESISTOR	8.2kΩ 1/16W D	1	
	R393	NRSA6AD-103W	MG RESISTOR	10kΩ 1/16W D	1	
	R394	NRSA63J-114X	MG RESISTOR	110kΩ 1/16W J	1	
	R397	NRSA6AD-101W	MG RESISTOR	100Ω 1/16W D	1	
	R400	NRSA6AD-153W	MG RESISTOR	15kΩ 1/16W D	1	
	R402	NRSA6AD-473W	MG RESISTOR	47kΩ 1/16W D	1	
	R403	NRSA63J-101X	MG RESISTOR	100Ω 1/16W J	1	
	R406	NRZ0098-R47X	MG RESISTOR	0.47Ω	1	
	R417	NRSA63J-472X	MG RESISTOR	4.7kΩ 1/16W J	1	
	R419	NRSA63D-134X	MG RESISTOR	130kΩ 1/16W D	1	
	R420	NRSA6AD-184W	MG RESISTOR	180kΩ 1/16W D	1	
	CN1	QGF0523F3-20W	CONNECTOR	FFC/FPC (1-20)	1	
	CN2	QGA1002F1-03X	CONNECTOR	W-B (1-3)	1	
	CN101	QGF0522F2-30W	CONNECTOR	FFC/FPC (1-30)	1	
	CN403	QGF0534F5-50X	CONNECTOR	FFC/FPC (1-50)	1	
	K7	NRSA63J-101X	MG RESISTOR	100Ω 1/16W J	1	
	K8	NRSA63J-0R0X	MG RESISTOR	0Ω 1/10W J	1	
	K9	NRSA63J-101X	MG RESISTOR	100Ω 1/16W J	1	
	K10	NRSA63J-101X	MG RESISTOR	100Ω 1/16W J	1	
	K101	NQR0007-002X	FERRITE BEADS		1	
	K102	NQR0007-002X	FERRITE BEADS		1	
	K103	NQR0502-001X	FERRITE BEADS		1	

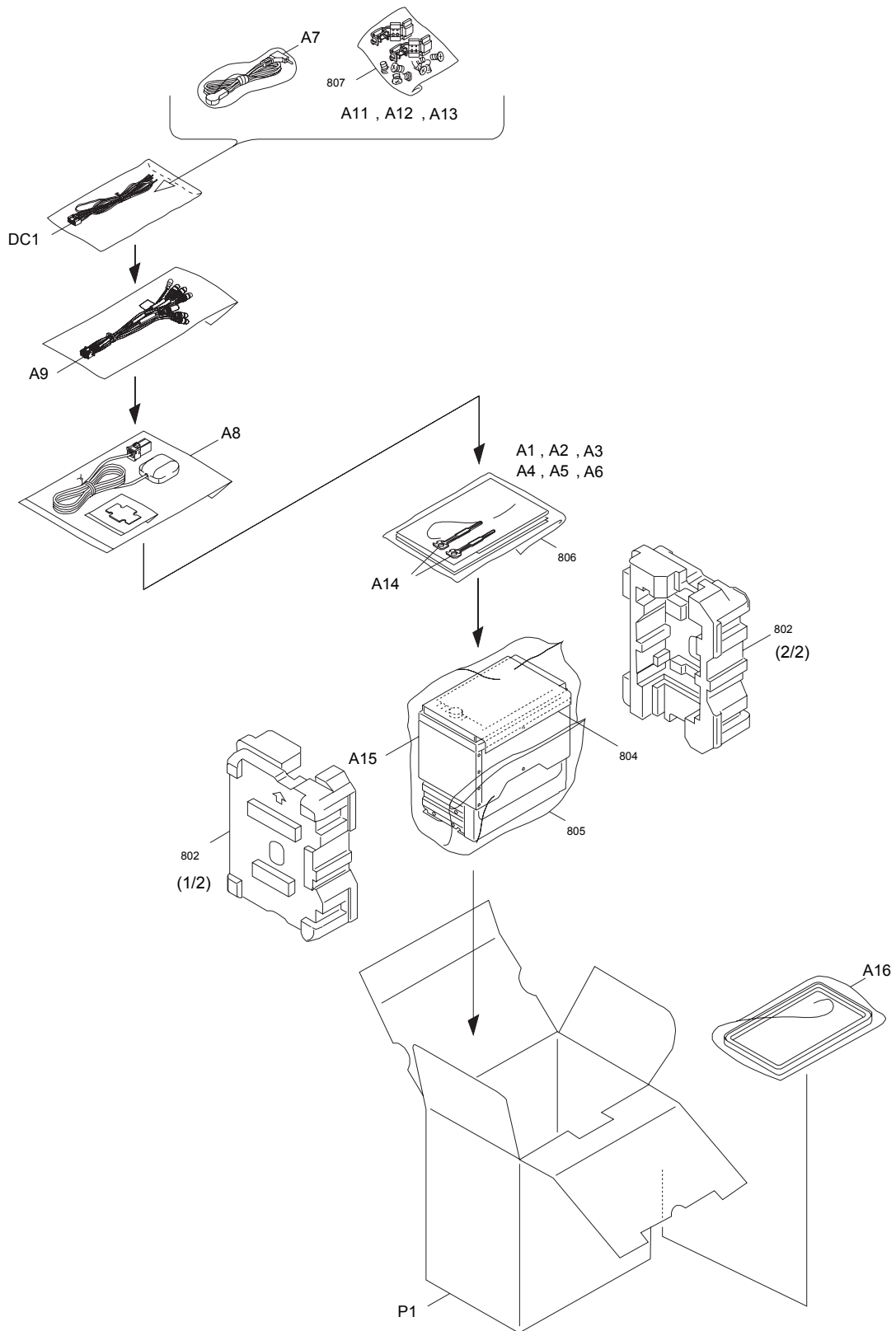
MODEL	MARK	MODEL	MARK
KW-NT300J	A	KW-NT500HDTJ	B

Safe	Symbol No.	Parts No.	Parts Name	Description	QTY	Local
	K108	NQR0129-002X	FERRITE BEADS		1	
	K110	NQR0129-002X	FERRITE BEADS		1	
	K111	NQR0129-002X	FERRITE BEADS		1	
	K112	NQR0129-002X	FERRITE BEADS		1	
	K113	NQR0502-001X	FERRITE BEADS		1	
	K114	NQR0022-005X	FERRITE BEADS		1	
	K115	NQR0022-005X	FERRITE BEADS		1	
	K116	NQR0129-002X	FERRITE BEADS		1	
	K117	NQR0022-005X	FERRITE BEADS		1	
	K118	NRSA63J-0R0X	MG RESISTOR	0Ω 1/10W J	1	
	K119	NRSA63J-0R0X	MG RESISTOR	0Ω 1/10W J	1	
	K120	NRSA63J-0R0X	MG RESISTOR	0Ω 1/10W J	1	
	K124	NRSA63J-0R0X	MG RESISTOR	0Ω 1/10W J	1	
	K132	NQR0022-005X	FERRITE BEADS		1	
	K137	NRSA63J-0R0X	MG RESISTOR	0Ω 1/10W J	1	
	K141	NRSA63J-0R0X	MG RESISTOR	0Ω 1/10W J	1	
	K142	NRSA63J-0R0X	MG RESISTOR	0Ω 1/10W J	1	
	S1	NSW0313-001X	DETECT SWITCH		1	
	S1 or X351	NSW0225-001X	DETECT SWITCH		1	
		NAX0741-001X	CRYSTAL	27.000MHz	1	

PACKING AND ACCESSORIES

Block No.M3MM

No additional / supplemental order of WARRANTY CARDS are available.



Parts with the exploded numbers larger than 700 are not supplied.

No.MA528

created date:2012-04-12

MODEL	MARK	MODEL	MARK
KW-NT300J	A	KW-NT500HDTJ	B

Safe	Symbol No.	Parts No.	Parts Name	Description	QTY	Local
------	------------	-----------	------------	-------------	-----	-------

PACKING AND ACCESSORIES <M3MM>

DC1		QAM1436-001	DC CORD		1	
A1		LVT2277-001A	INST BOOK	ENG SPA FRE	1	
A2		LVT2277-002A	INST BOOK	ENG SPA FRE	1	
A3		LVT2366-001A	SUB MANUAL	ENG SPA FRE	1	
A4		-----	WARRANTY CARD	BT-51018-6	1	
A5		-----	WARRANTY CARD	BT-52008-1	1	
A6		-----	REGISTRATION CARD	BT-51044-1	1	
A7		QAN0109-001	MICROPHONE		1	
A8		QAL1325-001	ANTENNA(GPS)		1	
A9		QAM1435-001	CAR CABLE(AV)		1	
A11		LV41478-001A	CORD CONNECTER		2	
A12		QYSDSP5008ZA	SCREW(BINDING)	M5 x 8mm	8	
A13		QYSSSP5008ZA	SCREW(FLAT)	M5 x 8mm	8	
A14		LV45516-001A	LEVER		2	
A15		LV22876-001A	SLEEVE ASSY		1	
A16		B07-3263-02	ESCUTCHEON(2DIN)		1	
P1		LV39841-001A	CARTON		1	A
P1		LV39839-001A	CARTON		1	B