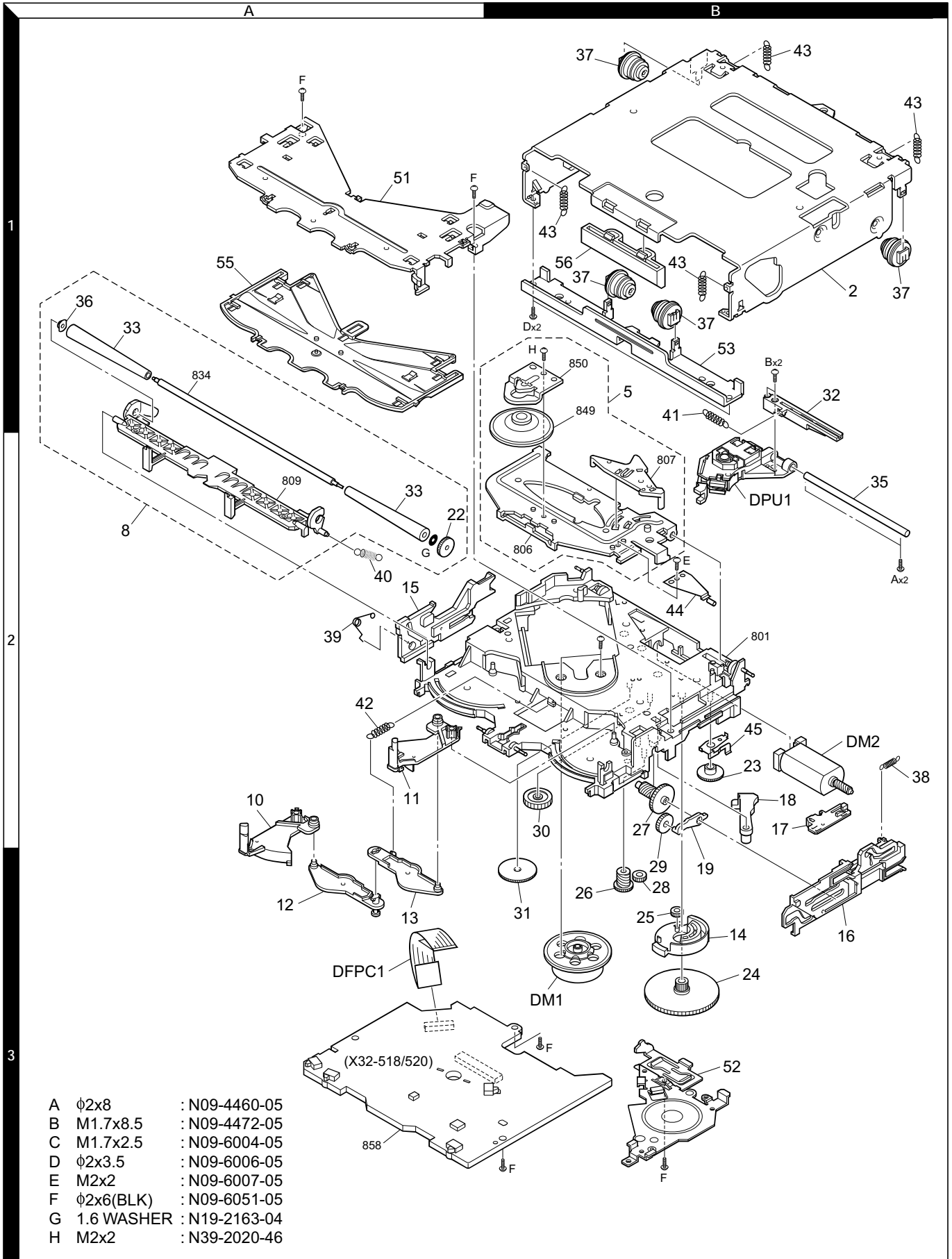


EXPLODED VIEW



A	φ2x8	: N09-4460-05
B	M1.7x8.5	: N09-4472-05
C	M1.7x2.5	: N09-6004-05
D	φ2x3.5	: N09-6006-05
E	M2x2	: N09-6007-05
F	φ2x6(BLK)	: N09-6051-05
G	1.6 WASHER	: N19-2163-04
H	M2x2	: N39-2020-46

Parts with the exploded numbers larger than 700 are not supplied.

KDC-MPV619/MPV7019/MPV7020/MV6521

PARTS LIST

* New Parts

Parts without **Parts No.** are not supplied.

Les articles non mentionnes dans le **Parts No.** ne sont pas fournis.

Teile ohne **Parts No.** werden nicht geliefert.

Ref. No.	A d d	N e w	Parts No.	Description	Dest inati on
KDC-MPV619/MPV7019/MPV7020/MV6521					
200	1A		A02-1486-13	PLASTIC CABINET ASSY	
202	1B	*	A52-0806-02	TOP PLATE	
203	3A	*	A21-4172-04	DRESSING PANEL (SPRAY)	
204	3A	*	A21-4174-03	DRESSING PANEL (PLATING)	
205	3B	*	A22-2932-02	SUB PANEL ASSY	
207	2A	*	A46-1754-01	REAR COVER	
PA1	3A	*	A64-2590-02	PANEL ASSY	K1
PA1	3A	*	A64-2591-02	PANEL ASSY	K2
PA1	3A	*	A64-2596-02	PANEL ASSY	M
PA1	3A	*	A64-2600-02	PANEL ASSY	E
RC1	1A		A70-2025-05	REMOTE CONTROLLER ASSY (RC-410)	
K1K2					
RC2	1A	*	A70-2026-05	REMOTE CONTROLLER ASSY (RC-420)	M
213	1A		B07-3055-02	ESCUTCHEON (SILVER)	
214	3A	*	B10-4168-01	FRONT GLASS	K1
214	3A	*	B10-4169-01	FRONT GLASS	K2
214	3A	*	B10-4174-01	FRONT GLASS	M
214	3A	*	B10-4178-01	FRONT GLASS	E
216	3A	*	B19-2138-03	LIGHTING BOARD	
217	3A		B43-1284-04	BADGE	
-			B46-0100-50	WARRANTY CARD	
-			B46-0606-04	ID CARD	
K1K2					
-			B46-0612-14	ID CARD	ME
-			B46-0645-03	USER CARD	
K1K2					
-		*	B64-2243-00	INST. MANUAL (ENG,FRE,SPA)	
K1K2					
-		*	B64-2244-00	INST. MANUAL (ENG,T-CHI)	M
-		*	B64-2245-00	INST. MANUAL (ARABIC)	M
-		*	B64-2246-00	INST. MANUAL (ENGLISH)	E
-		*	B64-2247-00	INST. MANUAL (FRE,GER,DUT)	E
-		*	B64-2248-00	INST. MANUAL (ITA,SPA,POR)	E
222	1A		D10-4589-04	LEVER	
223	3B	*	D10-4666-04	LEVER (LOCK)	
224	3B	*	D10-4667-04	LEVER (PUSH)	
225	3B	*	D10-4668-04	LEVER (REL R)	
226	3B	*	D10-4669-03	LEVER (REL L)	
227	3B	*	D10-4673-04	LEVER ASSY	
228	3B	*	D13-2232-04	GEAR	
229	3B	*	D21-2404-04	SHAFT	
230	3B	*	D21-2405-04	SHAFT	
231	3B	*	D39-0255-05	DAMPER	
235	3A	*	E29-1881-02	CONDUCTIVE RUBBER	
236	1B	*	E30-6050-05	CORD WITH PINPLUG	K1
236	1B	*	E30-6052-05	CORD WITH PINPLUG	K2
236	1B	*	E30-6053-05	CORD WITH PINPLUG	M
236	1B	*	E30-6103-05	CORD WITH PINPLUG	E
237	1B	*	E30-6081-05	CORD WITH DIN CONNECTOR	E
DC1	1A		E30-4940-05	DC CORD	
K1K2M					
DC2	1A		E30-4958-05	DC CORD	E
FC1	1A	*	E39-0438-05	FLAT CABLE	

Ref. No.	A d d	N e w	Parts No.	Description	Dest inati on
247	3B	*	G01-3128-04	EXTENSION SPRING	
248	3A	*	G01-3129-04	COMPRESSION SPRING (RELEASE)	
249	3B	*	G02-1425-04	FLAT SPRING	
250	3B	*	G02-1426-04	FLAT SPRING	
-		*	H10-4806-12	POLYSTYRENE FOAMED FIXTURE	
K1K2M					
-		*	H10-4807-12	POLYSTYRENE FOAMED FIXTURE	E
-		*	H11-1532-14	POLYSTYRENE FOAMED BOARD	
K1K2M					
-			H25-0329-04	PROTECTION BAG (280X450X0.03)	
K1K2M					
-			H25-0337-04	PROTECTION BAG (180X300X0.03)	
-			H25-1111-04	PROTECTION BAG (280X450X0.03)	E
-		*	H54-2353-03	ITEM CARTON CASE	K1
-		*	H54-2354-03	ITEM CARTON CASE	K2
-		*	H54-2359-03	ITEM CARTON CASE	M
-		*	H54-2363-03	ITEM CARTON CASE	E
255	3A	*	J19-5138-02	HOLDER	
256	1A		J21-9716-03	MOUNTING HARDWARE ASSY	
257	3B	*	J21-9809-04	MOUNTING HARDWARE ASSY	
264	3A	*	K24-3831-04	KNOB (RELEASE)	
265	3B	*	K24-3832-04	KNOB (EJECT)	
266	3A	*	K25-1409-03	KNOB (PRESET)	
267	3A	*	K25-1410-03	KNOB (SRC)	
268	3A	*	K25-1411-03	KNOB (ATT)	
269	3A	*	K25-1412-03	KNOB (FM/AM)	
270	3A	*	K25-1413-03	KNOB (DISP)	
271	3A	*	K25-1414-03	KNOB (VOL)	
276	1A		N99-1656-05	SCREW SET	
277	1A		N99-1719-05	SCREW SET	
K1K2M					
A	3B		N19-2106-04	FLAT WASHER (1.4X3X0.25)	
B	3B		N24-3020-46	E TYPE RETAINING RING (2X5X0.4)	
C	3A		N80-2005-46	PAN HEAD TAPTITE SCREW	
D	2A		N80-2008-45	PAN HEAD TAPTITE SCREW	
E	1B		N83-3005-46	PAN HEAD TAPTITE SCREW	
F	3B		N84-2005-46	PAN HEAD TAPTITE SCREW	
G	3B		N84-2606-45	PAN HEAD TAPTITE SCREW	
H	3B		N84-2606-46	PAN HEAD TAPTITE SCREW	
SWITCH UNIT (X16-16XX-X0)					
DME1	1B	*	X92-4460-00	MECHANISM ASSY (DXM-6400W)	
285	2A	*	B11-1368-04	OPTICAL DIFFUSER	
286	2A	*	B11-1370-04	REFLECTION SHEET	
287	2A	*	B19-2136-03	LIGHTING BOARD	
D5-17			B30-1605-05	LED (2COLOR PG/RED)	
D50-53			B30-1599-05	LED (NICHIA FULL)	
D80,81			B30-1564-05	LED (1608,BLUE)	
ED1	2A	*	B38-1090-05	LIQUID CRYSTAL	
C1			CC73GCH1H681J	CHIP C 680PF J	
C2-5			CK73GB1C104K	CHIP C 0.10UF K	
C6			CK73GB1H103K	CHIP C 0.010UF K	

△

△

KDC-MPV619/MPV7019/MPV7020/MV6521

PARTS LIST

* New Parts

Parts without **Parts No.** are not supplied.

Les articles non mentionnés dans le **Parts No.** ne sont pas fournis.

Teile ohne **Parts No.** werden nicht geliefert.

SWITCH UNIT (X16-16XX-X0)

Ref. No.	A d d	N e w	Parts No.	Description	Dest inati on
C68 C80,81			CK73GB0J105K CK73GB1H103K	CHIP C 1.0UF K CHIP C 0.010UF K	
288 J1	2A	*	E29-1882-04 E59-0829-05	CONDUCTIVE RUBBER RECTANGULAR PLUG (16P)	
CP1 CP50-53 CP54,55 CP56 R1			R90-1016-05 R90-1022-05 R90-0720-05 R90-1022-05 RK73GB2A433J	MULTI-COMP 470 X4 MULTI-COMP 470 X2 MULTI-COMP 100K X4 MULTI-COMP 470 X2 CHIP R 43K J 1/10W	
R2-5 R6 R7,8 R9 R10			RK73GB2A222J RK73GB2A392J RK73GB2A223J RK73GB2A101J RK73GB2A102J	CHIP R 2.2K J 1/10W CHIP R 3.9K J 1/10W CHIP R 22K J 1/10W CHIP R 100 J 1/10W CHIP R 1.0K J 1/10W	
R11 R12 R15,16 R17-19 R20			RK73GB2A4R7J RK73GB2A751J RK73GB2A103J RK73FB2B331J RK73FB2B511J	CHIP R 4.7 J 1/10W CHIP R 750 J 1/10W CHIP R 10K J 1/10W CHIP R 330 J 1/8W CHIP R 510 J 1/8W	
R21,22 R23 R24 R27,28 R50,51			RK73FB2B361J RK73GB2A102J RK73GB2A473J RK73GB2A103J RK73GB2A151J	CHIP R 360 J 1/8W CHIP R 1.0K J 1/10W CHIP R 47K J 1/10W CHIP R 10K J 1/10W CHIP R 150 J 1/10W	
R52 R53,54 R55 R56,57 R58			RK73GB2A221J RK73GB2A151J RK73GB2A221J RK73GB2A151J RK73GB2A221J	CHIP R 220 J 1/10W CHIP R 150 J 1/10W CHIP R 220 J 1/10W CHIP R 150 J 1/10W CHIP R 220 J 1/10W	
R59,60 R61 R62-65 R66 R67,68			RK73GB2A151J RK73GB2A221J RK73GB2A271J RK73GB2A4R7J RK73GB2A103J	CHIP R 150 J 1/10W CHIP R 220 J 1/10W CHIP R 270 J 1/10W CHIP R 4.7 J 1/10W CHIP R 10K J 1/10W	
D26 IC1 IC2 IC3 Q1			MA3082-L LC75808W RS-171 M62333FP DTA114EUA	ZENER DIODE MOS-IC ANALOGUE IC MOS-IC DIGITAL TRANSISTOR	
Q1 Q3,4 Q5 Q6 Q6			KRA302 2SD2114K 2SC4081 DTA114EUA KRA302	DIGITAL TRANSISTOR TRANSISTOR TRANSISTOR DIGITAL TRANSISTOR DIGITAL TRANSISTOR	K1K2M K1K2M
Q50-64			2SC4081	TRANSISTOR	
ELECTRIC UNIT (X25-9XXX-XX)					
D114			B30-1567-05	LED (1608,RED)	
C1,2 C13-16 C17,18 C19,20 C19,20			CE04NW1HR47M C90-5296-05 CE04NW1C100M CE04NW1C100M CE04NW1HR47M	ELECTRO 0.47UF 50WV NP-ELECT 0.22UF 50WV ELECTRO 10UF 16WV ELECTRO 10UF 16WV ELECTRO 0.47UF 50WV	 K1K2 M

Ref. No.	A d d	N e w	Parts No.	Description	Dest inati on
C21,22 C23,24 C25 C27-30 C33			CE04NW1C100M CE04NW1HR47M CE04NW1A470M CE04NW1C100M CK73FB1H104K	ELECTRO 10UF 16WV ELECTRO 0.47UF 50WV ELECTRO 47UF 10WV ELECTRO 10UF 16WV CHIP C 0.10UF K	K2ME K2ME
C34 C35 C36 C41 C42			CK73FB1H104K CK73FB1H104K CE04NW1A470M CK73GB1A474K CC73GCH1H151J	CHIP C 0.10UF K CHIP C 0.10UF K ELECTRO 47UF 10WV CHIP C 0.47UF K CHIP C 150PF J	K1K2M K2ME M
C43 C44 C51 C52 C53			CK73GB1H333K CK73GB1H103K CK73GB1H103K C90-5235-05 CK73GB1H103K	CHIP C 0.033UF K CHIP C 0.010UF K CHIP C 0.010UF K ELECTRO 2200UF 16WV CHIP C 0.010UF K	
C54 C55 C56 C57 C58			CE04NW1C100M C90-2866-05 CE04NW0J101M CE04CW1C101M CE04CW1A221M	ELECTRO 10UF 16WV ELECTRO 220UF 16WV ELECTRO 100UF 6.3WV ELECTRO 100UF 16WV ELECTRO 220UF 10WV	
C59 C61,62 C63,64 C65 C71		*	CE04NW1A101M C90-2963-05 C90-5418-05 CK73GB1A224K CK73GB1H103K	ELECTRO 100UF 10WV ELECTRO 100UF 25WV ELECTRO 220UF 16WV CHIP C 0.22UF K CHIP C 0.010UF K	 E
C72 C73 C74 C75 C75			CK73GB1E223K CE04NW1H010M CE04NW1HOR1M CK73GB1C683K CK73GB1H683K	CHIP C 0.022UF K ELECTRO 1.0UF 50WV ELECTRO 0.1UF 50WV CHIP C 0.068UF K CHIP C 0.068UF K	
C76 C77 C78-80 C81,82 C91			CE04NW1V3R3M CK73GB1H102K CK73GB1H103K CK73GB1H103K CE04NW1HR47M	ELECTRO 3.3UF 35WV CHIP C 1000PF K CHIP C 0.010UF K CHIP C 0.010UF K ELECTRO 0.47UF 50WV	 M
C92 C93 C94 C101 C102			CE04NW1C220M CK73GB1C104K CE04NW1H010M CE04NW1H2R2M CE04NW1C100M	ELECTRO 22UF 16WV CHIP C 0.10UF K ELECTRO 1.0UF 50WV ELECTRO 2.2UF 50WV ELECTRO 10UF 16WV	 K2ME
C103 C104 C105,106 C107 C117			CE04NW1A470M CK73GB1H103K CK73GB1C104K CK73GB1H103K CK73GB1H103K	ELECTRO 47UF 10WV CHIP C 0.010UF K CHIP C 0.10UF K CHIP C 0.010UF K CHIP C 0.010UF K	 K2ME
C120 C122 C134 C135 C136			CK73GB1H103K CK73GB1H103K CC73GCH1H681J CK73GB1H103K CE04NW1H2R2M	CHIP C 0.010UF K CHIP C 0.010UF K CHIP C 680PF J CHIP C 0.010UF K ELECTRO 2.2UF 50WV	 E E E
C137 C138 C139,140 C156,157 C201			CC73GCH1H331J CE04NW1C100M CC73GCH1H270J CK73GB1H103K CK73GB1H103K	CHIP C 330PF J ELECTRO 10UF 16WV CHIP C 27PF J CHIP C 0.010UF K CHIP C 0.010UF K	 E E E

K1: KDC-MPV619 K2: KDC-MPV7019
M : KDC-MPV7020 E : KDC-MV6521

△ indicates safety critical components.

KDC-MPV619/MPV7019/MPV7020/MV6521

PARTS LIST

* New Parts

Parts without **Parts No.** are not supplied.

Les articles non mentionnes dans le **Parts No.** ne sont pas fournis.

Teile ohne **Parts No.** werden nicht geliefert.

ELECTRIC UNIT (X25-9XXX-XX)

Ref. No.	A d d	N e w	Parts No.	Description	Dest inati on
C202			CE04NW0J470M	ELECTRO 47UF 6.3WV	
C203			CK73GB0J105K	CHIP C 1.0UF K	
C204,205			CC73GCH1H220J	CHIP C 22PF J	
C206			CK73GB0J105K	CHIP C 1.0UF K	
C207			CK73GB1A224K	CHIP C 0.22UF K	
C208			CK73GB1H102K	CHIP C 1000PF K	
C209			CK73GB1H103K	CHIP C 0.010UF K	E
C405			CK73GB1H103K	CHIP C 0.010UF K	
C406			CK73GB0J105K	CHIP C 1.0UF K	
C411			CK73GB1H103K	CHIP C 0.010UF K	
C501			CK73GB1H103K	CHIP C 0.010UF K	M
C502			CK73GB1H103K	CHIP C 0.010UF K	M
CN1			E40-3241-05	PIN ASSY (6P)	K1
CN1			E40-5066-05	PIN ASSY (9P)	K2ME
CN2		*	E41-0168-05	FLAT CABLE CONNECTOR (24P)	
CN3		*	E41-0167-05	PIN ASSY (18P)	
CN4			E40-3248-05	PIN ASSY (4P)	E
J1	2B		E58-0863-15	RECTANGULAR RECEPTACLE (16P)	
J2	2B		E56-0834-05	CYLINDRICAL RECEPTACLE (13P)	
WH1	1B		E30-4804-05	CORD WITH PLUG (ANTENNA)	
WH1	1B		E30-4932-05	CORD WITH PLUG (ANTENNA)	K1K2M
L1			L33-1170-05	CHOKE COIL ASSY (140UH)	
L2			L40-4795-91	SMALL FIXED INDUCTOR (4.7UH,J)	
L6,7			L40-4795-91	SMALL FIXED INDUCTOR (4.7UH,J)	
L8			L33-1123-05	LINE FILTER COIL (52mH)	
L9		*	L33-1820-05	CHOKE COIL (220UH)	
L10			L92-0075-05	CHIP FERRITE	
L11			L40-4795-91	SMALL FIXED INDUCTOR (4.7UH,J)	
X1			L78-0821-05	RESONATOR (20MHz)	
X2			L77-2738-05	CRYSTAL RESONATOR (32.768kHz)	
X3			L77-2002-05	CRYSTAL RESONATOR (4.332MHz)	E
E	2B		N83-3005-46	PAN HEAD TAPTITE SCREW	
J	2B		N80-3008-46	PAN HEAD TAPTITE SCREW	
K	2B		N83-3012-46	PAN HEAD TAPTITE SCREW	
L	2B		N86-2606-46	BINDING HEAD TAPTITE SCREW	
R1,2			RK73FB2B361J	CHIP R 360 J 1/8W	
R3,4			RK73GB2A223J	CHIP R 22K J 1/10W	
R5,6			RK73EB2E181J	CHIP R 180 J 1/4W	
R7,8			RK73FB2B361J	CHIP R 360 J 1/8W	K1K2
R9,10			RK73GB2A223J	CHIP R 22K J 1/10W	K1K2
R9,10			RK73GB2A912J	CHIP R 9.1K J 1/10W	M
R11,12			RK73EB2E102J	CHIP R 1.0K J 1/4W	M
R11,12			RK73EB2E181J	CHIP R 180 J 1/4W	K1K2
R13,14			RK73FB2B361J	CHIP R 360 J 1/8W	K2ME
R15,16			RK73GB2A223J	CHIP R 22K J 1/10W	K2ME
R17,18			RK73EB2E181J	CHIP R 180 J 1/4W	K2ME
R19-22			RK73GB2A223J	CHIP R 22K J 1/10W	
R23,24			RK73EB2E100J	CHIP R 10 J 1/4W	
R25			RK73EB2E4R7J	CHIP R 4.7 J 1/4W	
R26			RK73EB2E4R7J	CHIP R 4.7 J 1/4W	M
R27-30			RK73GB2A103J	CHIP R 10K J 1/10W	K2ME
R31,32			RK73GB2A473J	CHIP R 47K J 1/10W	M
R41			RK73GB2A472J	CHIP R 4.7K J 1/10W	
R42			RK73GB2A103J	CHIP R 10K J 1/10W	

Ref. No.	A d d	N e w	Parts No.	Description	Dest inati on
R45,46			RK73GB2A472J	CHIP R 4.7K J 1/10W	K2ME
R51			RK73GB2A101J	CHIP R 100 J 1/10W	
R52			RK73FB2B223J	CHIP R 22K J 1/8W	
R53			RK73GB2A222J	CHIP R 2.2K J 1/10W	
R54			RK73GB2A223J	CHIP R 22K J 1/10W	
R55			RK73FB2B103J	CHIP R 10K J 1/8W	
R56,57			RK73FB2B102J	CHIP R 1.0K J 1/8W	
R58,59			RD14DB2H2R2J	SMALL-RD 2.2 J 1/2W	
R60			RK73FB2B152J	CHIP R 1.5K J 1/8W	
R61			RK73FB2B102J	CHIP R 1.0K J 1/8W	
R62-65			RK73GB2A473J	CHIP R 47K J 1/10W	
R73			RK73GB2A104J	CHIP R 100K J 1/10W	K1K2M
R73			RK73GB2A223J	CHIP R 22K J 1/10W	E
R74			RK73EB2E103J	CHIP R 10K J 1/4W	E
R76			RK73GB2A473J	CHIP R 47K J 1/10W	E
R77			RK73GB2A104J	CHIP R 100K J 1/10W	
R78			RK73EB2E103J	CHIP R 10K J 1/4W	
R79,80			RD14DB2H102J	SMALL-RD 1.0K J 1/2W	
R81			RK73FB2B223J	CHIP R 22K J 1/8W	
R82,83			RK73FB2B472J	CHIP R 4.7K J 1/8W	
R84,85			RD14DB2H102J	SMALL-RD 1.0K J 1/2W	K1K2M
R86			RK73GB2A223J	CHIP R 22K J 1/10W	K1K2M
R87			RK73FB2B243J	CHIP R 24K J 1/8W	
R88,89			RK73GB2A103J	CHIP R 10K J 1/10W	
R90,91			RK73GB2A223J	CHIP R 22K J 1/10W	
R92			RD14BB2C333J	RD 33K J 1/6W	
R93			RD14DB2H332J	SMALL-RD 3.3K J 1/2W	
R94			RK73GB2A104J	CHIP R 100K J 1/10W	
R100			RK73GB2A222J	CHIP R 2.2K J 1/10W	E
R101			RK73GB2A103J	CHIP R 10K J 1/10W	
R102			RK73GB2A101J	CHIP R 100 J 1/10W	
R103			RK73GB2A103J	CHIP R 10K J 1/10W	
R104			RK73FB2B221J	CHIP R 220 J 1/8W	K2ME
R105			RK73GB2A473J	CHIP R 47K J 1/10W	
R106			RK73GB2A152J	CHIP R 1.5K J 1/10W	
R108			RK73GB2A682J	CHIP R 6.8K J 1/10W	
R113			RK73GB2A472J	CHIP R 4.7K J 1/10W	
R115			RK73GB2A472J	CHIP R 4.7K J 1/10W	
R121			RK73EB2E101J	CHIP R 100 J 1/4W	
R122-126			RK73EB2E472J	CHIP R 4.7K J 1/4W	
R127,128			RK73EB2E101J	CHIP R 100 J 1/4W	
R129,130			RK73GB2A104J	CHIP R 100K J 1/10W	
R141,142			RD14BB2C102J	RD 1.0K J 1/6W	
R143,144			RK73GB2A223J	CHIP R 22K J 1/10W	
R162			RK73GB2A472J	CHIP R 4.7K J 1/10W	E
R163			RK73EB2E471J	CHIP R 470 J 1/4W	
R164,165			RK73EB2E102J	CHIP R 1.0K J 1/4W	
R166			RK73EB2E471J	CHIP R 470 J 1/4W	
R167			RK73EB2E102J	CHIP R 1.0K J 1/4W	
R168,169			RK73EB2E471J	CHIP R 470 J 1/4W	
R170-173			RK73GB2A104J	CHIP R 100K J 1/10W	
R174			RK73GB2A222J	CHIP R 2.2K J 1/10W	
R178			RK73GB2A472J	CHIP R 4.7K J 1/10W	
R180			RK73EB2E472J	CHIP R 4.7K J 1/4W	
R181			RK73EB2E102J	CHIP R 1.0K J 1/4W	

KDC-MPV619/MPV7019/MPV7020/MV6521

PARTS LIST

* New Parts

Parts without **Parts No.** are not supplied.

Les articles non mentionnes dans le **Parts No.** ne sont pas fournis.

Teile ohne **Parts No.** werden nicht geliefert.

ELECTRIC UNIT (X25-9XXX-XX)

Ref. No.	A d d	N e w	Parts No.	Description	Dest inati on
R182			RK73GB2A473J	CHIP R 47K J 1/10W	
R183			RK73EB2E102J	CHIP R 1.0K J 1/4W	
R185			RK73EB2E471J	CHIP R 470 J 1/4W	
R186			RK73EB2E241J	CHIP R 240 J 1/4W	
R193,194			RK73GB2A471J	CHIP R 470 J 1/10W	
R196-199			RK73EB2E471J	CHIP R 470 J 1/4W	E
R202			RK73GB2A474J	CHIP R 470K J 1/10W	
R203			RK73GB2A102J	CHIP R 1.0K J 1/10W	
R204		*	RK73FB2B241J	CHIP R 240 J 1/8W	
R205			RK73GB2A104J	CHIP R 100K J 1/10W	
R206-209			RK73GB2A102J	CHIP R 1.0K J 1/10W	
R210			RK73GB2A222J	CHIP R 2.2K J 1/10W	
R211			RK73GB2A101J	CHIP R 100 J 1/10W	
R212			RK73GB2A222J	CHIP R 2.2K J 1/10W	
R213,214			RK73GB2A471J	CHIP R 470 J 1/10W	
R216-219			RK73GB2A104J	CHIP R 100K J 1/10W	
R220			RK73GB2A222J	CHIP R 2.2K J 1/10W	
R221			RK73GB2A104J	CHIP R 100K J 1/10W	
R222,223			RK73GB2A104J	CHIP R 100K J 1/10W	K1K2M
R224,225			RK73GB2A222J	CHIP R 2.2K J 1/10W	
R226,227			RK73GB2A222J	CHIP R 2.2K J 1/10W	E
R228			RK73GB2A102J	CHIP R 1.0K J 1/10W	
R229			RK73GB2A222J	CHIP R 2.2K J 1/10W	E
R230			RK73GB2A104J	CHIP R 100K J 1/10W	K1K2M
R231,232			RK73GB2A222J	CHIP R 2.2K J 1/10W	
R233			RK73GB2A102J	CHIP R 1.0K J 1/10W	
R235			RK73GB2A473J	CHIP R 47K J 1/10W	
R236			RK73GB2A104J	CHIP R 100K J 1/10W	
R237			RK73GB2A471J	CHIP R 470 J 1/10W	
R238			RK73GB2A104J	CHIP R 100K J 1/10W	
R239,240			RK73GB2A471J	CHIP R 470 J 1/10W	
R241			RK73GB2A472J	CHIP R 4.7K J 1/10W	
R242,243			RK73GB2A471J	CHIP R 470 J 1/10W	
R244			RK73GB2A472J	CHIP R 4.7K J 1/10W	
R245			RK73GB2A102J	CHIP R 1.0K J 1/10W	
R246			RK73GB2A222J	CHIP R 2.2K J 1/10W	
R247			RK73GB2A225J	CHIP R 2.2M J 1/10W	
R248			RK73GB2A471J	CHIP R 470 J 1/10W	K2ME
R249			RK73GB2A103J	CHIP R 10K J 1/10W	
R250,251			RK73GB2A102J	CHIP R 1.0K J 1/10W	
R252			RK73GB2A103J	CHIP R 10K J 1/10W	
R254			RK73GB2A473J	CHIP R 47K J 1/10W	
R255			RK73GB2A104J	CHIP R 100K J 1/10W	
R256			RK73GB2A222J	CHIP R 2.2K J 1/10W	
R257			RK73GB2A104J	CHIP R 100K J 1/10W	
R258			RK73GB2A153J	CHIP R 15K J 1/10W	
R259			RK73GB2A104J	CHIP R 100K J 1/10W	K1M
R260			RK73GB2A104J	CHIP R 100K J 1/10W	K2E
R261			RK73GB2A104J	CHIP R 100K J 1/10W	K2M
R262			RK73GB2A104J	CHIP R 100K J 1/10W	K1E
R263			RK73GB2A104J	CHIP R 100K J 1/10W	E
R264			RK73GB2A104J	CHIP R 100K J 1/10W	K1K2M
R266			RK73GB2A104J	CHIP R 100K J 1/10W	
R268			RK73GB2A104J	CHIP R 100K J 1/10W	
R269-271			RK73GB2A101J	CHIP R 100 J 1/10W	E

Ref. No.	A d d	N e w	Parts No.	Description	Dest inati on
R301-312			RK73GB2A103J	CHIP R 10K J 1/10W	K2ME
R501			RK73GB2A102J	CHIP R 1.0K J 1/10W	
R502			RK73GB2A102J	CHIP R 1.0K J 1/10W	M
W101-103			R92-1252-05	CHIP R 0 OHM J 1/16W	K1K2E
W104,105			R92-1252-05	CHIP R 0 OHM J 1/16W	K1K2
W106			R92-2052-05	CHIP R 0 OHM J 1/10W	K1K2
W107			R92-2053-05	CHIP R 0 J 1/8W	K1K2
W108			R92-1252-05	CHIP R 0 OHM J 1/16W	E
W109,110			R92-2052-05	CHIP R 0 OHM J 1/10W	M
W111			R92-1252-05	CHIP R 0 OHM J 1/16W	
S1			S74-0811-05	MICRO SWITCH	
D1		*	1N5393G-M5	DIODE	
D2			MA4056(N)-M	ZENER DIODE	
D3			RB160L-40	DIODE	
D4			MA4091(N)-L	ZENER DIODE	
D5			MA4082(N)-L	ZENER DIODE	
D6			HZS11B2	ZENER DIODE	K1K2M
D6			MA4110-L	ZENER DIODE	
D12			MA4047-M	ZENER DIODE	E
D13			AM01Z	DIODE	
D13			DSM1SD2	DIODE	
D13			ERA15-02	DIODE	
D14			1SS133	DIODE	
D15,16			AM01Z	DIODE	
D15,16			DSM1SD2	DIODE	
D15,16			ERA15-02	DIODE	
D17,18			MA4068(N)-M	ZENER DIODE	
D19			AM01Z	DIODE	KK1M1
D19			DSM1SD2	DIODE	KK1M1
D19			ERA15-02	DIODE	KK1M1
D21-28			S1J	DIODE	
D30-34			1SS133	DIODE	
D35,36			MA4068(N)-M	ZENER DIODE	
D37			IMS-A-6801	SURGE ABSORBER	
D38,39			1SS133	DIODE	K2ME
D40			SFPB-54V	DIODE	
D41,42			HZS6C1	ZENER DIODE	K1K2M
D41,42			MA4062-L	ZENER DIODE	
D44			HZS6C1	ZENER DIODE	K1K2M
D44			MA4062-L	ZENER DIODE	
D45-47			MA4068(N)-M	ZENER DIODE	
D71			1SS133	DIODE	
D102-113			DA204K	DIODE	
D102-113			KDS226	DIODE	K1K2M
D115		*	MTZJ4.3(B)	ZENER DIODE	K2ME
D116			DA204K	DIODE	E
D117,118			1SS133	DIODE	E
D119,120			DA204K	DIODE	E
IC1		*	UPD703030GFA03	MI-COM IC	E
IC1		*	UPD703033GFA05	MI-COM IC	M
IC1		*	UPD703033GFA13	MI-COM IC	K1K2
IC2			TDA7407D	ANALOGUE IC	
IC3			HD74HC02FP	MOS-IC	K1K2M
IC3			TC74HC02AF	MOS-IC	

K1: KDC-MPV619 K2: KDC-MPV7019
M: KDC-MPV7020 E: KDC-MV6521

△ indicates safety critical components.

KDC-MPV619/MPV7019/MPV7020/MV6521

PARTS LIST

* New Parts

Parts without **Parts No.** are not supplied.

Les articles non mentionnes dans le **Parts No.** ne sont pas fournis.

Teile ohne **Parts No.** werden nicht geliefert.

ELECTRIC UNIT (X25-9XXX-XX)

Ref. No.	A d d	N e w	Parts No.	Description	Dest inati on
IC4	2B		TA8273H	ANALOGUE IC	
IC6		*	NJM2123V-TE2	ANALOGUE IC	K2ME
IC7		*	SAA6581T	ANALOGUE IC	E
IC8			S-80837ANNP	MOS-IC	
IC9,10			TC4066BF(N)	MOS-IC	M
IC11			SI-8050JD	ANALOGUE IC	
Q1,2			DTC143TUA	DIGITAL TRANSISTOR	
Q3,4			DTC143TUA	DIGITAL TRANSISTOR	K1K2
Q5,6			2SD2114K	TRANSISTOR	K2ME
Q7			DTA124EUA	DIGITAL TRANSISTOR	K2ME
Q7			KRA303	DIGITAL TRANSISTOR	K2M
Q8			DTA124EUA	DIGITAL TRANSISTOR	
Q8			KRA303	DIGITAL TRANSISTOR	K1K2M
Q9			DTC144EUA	DIGITAL TRANSISTOR	M
Q9			UN5213	DIGITAL TRANSISTOR	M
Q10			DTA124EUA	DIGITAL TRANSISTOR	M
Q10			KRA303	DIGITAL TRANSISTOR	M
Q11			2SC4081	TRANSISTOR	
Q11			2SD1819A	TRANSISTOR	K1K2M
Q12			2SA2057	TRANSISTOR	
Q13			2SA1576A	TRANSISTOR	
Q13			2SB1218A	TRANSISTOR	K1K2M
Q14			2SC4081	TRANSISTOR	
Q14			2SD1819A	TRANSISTOR	K1K2M
Q15			2SA2057	TRANSISTOR	
Q16			DTC124EUA	DIGITAL TRANSISTOR	
Q16			UN5212	DIGITAL TRANSISTOR	K1K2M
Q17			DTA124EUA	DIGITAL TRANSISTOR	
Q17			KRA303	DIGITAL TRANSISTOR	K1K2M
Q18			2SD2375	TRANSISTOR	
Q19			DTC124EUA	DIGITAL TRANSISTOR	
Q19			UN5212	DIGITAL TRANSISTOR	K1K2M
Q20			DTA124EUA	DIGITAL TRANSISTOR	
Q20			KRA303	DIGITAL TRANSISTOR	K1K2M
Q21			2SB1184	TRANSISTOR	
Q22			2SC4081	TRANSISTOR	
Q22			2SD1819A	TRANSISTOR	K1K2M
Q26			DTC144EUA	DIGITAL TRANSISTOR	
Q26			UN5213	DIGITAL TRANSISTOR	K1K2M
Q27			DTC114YUA	DIGITAL TRANSISTOR	
Q27,28			UN5214	DIGITAL TRANSISTOR	K1K2M
Q28			DTC114YUA	DIGITAL TRANSISTOR	K1K2M
Q29			DTA124EUA	DIGITAL TRANSISTOR	
Q29			KRA303	DIGITAL TRANSISTOR	K1K2M
Q30			2SA1576A	TRANSISTOR	
Q30			2SB1218A	TRANSISTOR	K1K2M
Q31			2SB1277(Q,R)	TRANSISTOR	K1K2M
Q31			2SB1434	TRANSISTOR	K1K2M
Q32			2SB1277(Q,R)	TRANSISTOR	K1K2M
Q32			2SB1434	TRANSISTOR	
Q33,34			2SC4081	TRANSISTOR	
Q33,34			2SD1819A	TRANSISTOR	K1K2M
Q42			DTC124EUA	DIGITAL TRANSISTOR	
Q42			UN5212	DIGITAL TRANSISTOR	K1K2M
Q43			DTC143TUA	DIGITAL TRANSISTOR	

Ref. No.	A d d	N e w	Parts No.	Description	Dest inati on
Q45,46			DTC124EUA	DIGITAL TRANSISTOR	
Q45,46			UN5212	DIGITAL TRANSISTOR	K1K2M
Q47,48			2SB1277(Q,R)	TRANSISTOR	
Q47,48			2SB1434	TRANSISTOR	
Q51			2SC4081	TRANSISTOR	
Q51			2SD1819A	TRANSISTOR	K1K2M
Q52			DTC143TUA	DIGITAL TRANSISTOR	E
Q53,54			DTA114YUA	DIGITAL TRANSISTOR	
Q53,54			UN5114	DIGITAL TRANSISTOR	K1K2M
Q55			2SA1576A	TRANSISTOR	
Q55			2SB1218A	TRANSISTOR	K1K2M
TH1			PTH9C42BD471Q	POSITIVE RESISTOR	
A1	2B		X86-3240-11	TUNER UNIT	K1K2M
A1	2B		X86-3342-71	TUNER UNIT	E
DAUGHTER UNIT (X89-25XX-X0)					
CN1		*	E41-0169-05	SOCKET FOR PIN ASSY (18P)	
J1			E58-0865-05	RECTANGULAR RECEPTACLE (16P)	
S1			S70-0877-05	TACT SWITCH	

X92-4430-0x X92-4450-0x

PARTS LIST

* New Parts

Parts without **Parts No.** are not supplied.

Les articles non mentionnes dans le **Parts No.** ne sont pas fournis.

Teile ohne **Parts No.** werden nicht geliefert.

Ref. No.	A d d	N e w	Parts No.	Description	D e s t i n a t i o n
CD PLAYER UNIT (X32-5180-0X, X32-5200-0X)					
C1 ,2			CK73GB0J105K	CHIP C 1.0UF K	
C3			CK73FB1A225K	CHIP C 2.2UF K	
C4			C92-0566-05	CHIP-TAN 10UF 6.3WV	
C5			CC73GCH1H220J	CHIP C 22PF J	
C6			CC73GCH1H030C	CHIP C 3.0PF C	
C7			CK73GB1C104K	CHIP C 0.10UF K	
C8			CK73GB0J105K	CHIP C 1.0UF K	
C10			CK73GB1H472K	CHIP C 4700PF K	
C11			CK73GB1H682K	CHIP C 6800PF K	
C12			CK73GB1H332K	CHIP C 3300PF K	
C13			CK73GB1C333K	CHIP C 0.033UF K	
C14			CK73GB1H472K	CHIP C 4700PF K	
C15			CK73GB1E473K	CHIP C 0.047UF K	
C16			CC73GCH1H221J	CHIP C 220PF J	
C17			CK73GB1H472K	CHIP C 4700PF K	
C18			CC73GCH1H331J	CHIP C 330PF J	
C19 ,20			CK73GB1C104K	CHIP C 0.10UF K	
C21			CK73FB1A225K	CHIP C 2.2UF K	
C23			CK73GB1H102K	CHIP C 1000PF K	
C24			CK73GB1E223K	CHIP C 0.022UF K	
C25			CK73GB1H153K	CHIP C 0.015UF K	
C26			CK73GB0J105K	CHIP C 1.0UF K	
C28			CK73GB0J105K	CHIP C 1.0UF K	
C29			CK73GB1C104K	CHIP C 0.10UF K	
C33			CK73GB1C104K	CHIP C 0.10UF K	
C35			CK73GB1C104K	CHIP C 0.10UF K	
C39			CK73GB1H152K	CHIP C 1500PF K	
C40			CK73GB1H103K	CHIP C 0.010UF K	
C41			CK73EB1C225K	CHIP C 2.2UF K	
C42			CK73GB1H152K	CHIP C 1500PF K	
C44			CK73GB1H103K	CHIP C 0.010UF K	
C46			CK73GB1E473K	CHIP C 0.047UF K	
C51			CK73GB1C104K	CHIP C 0.10UF K	
C55			CK73GB1C104K	CHIP C 0.10UF K	
C67 ,68			CK73GB1C104K	CHIP C 0.10UF K	
C71 ,72			CK73GB1H471K	CHIP C 470PF K	
C77 ,78			CC73GCH1H680J	CHIP C 68PF J	
C79 ,80			CK73GB1H222K	CHIP C 2200PF K	
C85			CK73GB1C104K	CHIP C 0.10UF K	
C89			CK73GB1H222K	CHIP C 2200PF K	
CN1			E40-9536-05	FLAT CABLE CONNECTOR	
CN1			E41-0193-05	FLAT CABLE CONNECTOR	
CN2			E40-9527-05	FLAT CABLE CONNECTOR	
CN2		*	E41-0213-05	FLAT CABLE CONNECTOR	
X1		*	L78-0851-05	RESONATOR (16.93MHZ)	
CP1			R90-1019-05	MULTI-COMP 100 X2	
CP2			R90-1014-05	MULTI-COMP 100 X4	
R3			RK73GB2A272J	CHIP R 2.7K J 1/10W	
R5			RK73GB2A361J	CHIP R 360 J 1/10W	
R6			RK73GB2A272J	CHIP R 2.7K J 1/10W	
R9			RK73FB2B100J	CHIP R 10 J 1/8W	
R10 ,11			RK73GB2A562J	CHIP R 5.6K J 1/10W	

A : X92-4430-00 (DXM-6010W) **A1** : X92-4430-01 (DXM-6011W)
A2 : X92-4430-02 (DXM-6012W) **A3** : X92-4430-03 (DXM-6013W)

Ref. No.	A d d	N e w	Parts No.	Description	D e s t i n a t i o n
R12			RK73GB2A682J	CHIP R 6.8K J 1/10W	
R13			RK73GB2A392J	CHIP R 3.9K J 1/10W	
R15			RK73GB2A824J	CHIP R 820K J 1/10W	
R16			RK73GB2A223J	CHIP R 22K J 1/10W	
R17			RK73GB2A393J	CHIP R 39K J 1/10W	
R18			RK73GB2A392J	CHIP R 3.9K J 1/10W	
R19			RK73GB2A473J	CHIP R 47K J 1/10W	
R20			RK73GB2A104J	CHIP R 100K J 1/10W	
R21			RK73GB2A244J	CHIP R 240K J 1/10W	
R22		*	RK73GB2A623J	CHIP R 62K J 1/10W	
R32			RK73GB2A683J	CHIP R 68K J 1/10W	
R34			RK73GB2A363J	CHIP R 36K J 1/10W	
R35			RK73GB2A104J	CHIP R 100K J 1/10W	
R36			RK73GB2A151J	CHIP R 150 J 1/10W	
R37			RK73GB2A471J	CHIP R 470 J 1/10W	
R38			RK73GB2A224J	CHIP R 220K J 1/10W	
R40			RK73GB2A133J	CHIP R 13K J 1/10W	
R46			RK73GB2A102J	CHIP R 1.0K J 1/10W	
R47			RK73GB2A103J	CHIP R 10K J 1/10W	
R49			RK73GB2A472J	CHIP R 4.7K J 1/10W	
R52			RK73GB2A104J	CHIP R 100K J 1/10W	
R53			RK73GB2A103J	CHIP R 10K J 1/10W	
R54			RK73GB2A104J	CHIP R 100K J 1/10W	
R70			RK73GB2A103J	CHIP R 10K J 1/10W	
R71			RK73GB2A183J	CHIP R 18K J 1/10W	
R73			RK73GB2A683J	CHIP R 68K J 1/10W	
R74			RK73GB2A123J	CHIP R 12K J 1/10W	
R75			RK73GB2A333J	CHIP R 33K J 1/10W	
R76			RK73GB2A103J	CHIP R 10K J 1/10W	
R79 ,80			RK73GB2A103J	CHIP R 10K J 1/10W	
R81			RK73GB2A333J	CHIP R 33K J 1/10W	
R82			RK73GB2A223J	CHIP R 22K J 1/10W	
R84			RK73GB2A103J	CHIP R 10K J 1/10W	
R101,102			RK73GB2A332J	CHIP R 3.3K J 1/10W	
R103,104			RK73GB2A562J	CHIP R 5.6K J 1/10W	
R107,108			RK73FB2B331J	CHIP R 330 J 1/8W	
R110			RK73FB2B201J	CHIP R 200 J 1/8W	
R117,118			RK73FB2B203J	CHIP R 20K J 1/8W	
R121,122			RK73FB2B203J	CHIP R 20K J 1/8W	
R125,126			RK73FB2B203J	CHIP R 20K J 1/8W	
R202			RK73GB2A104J	CHIP R 100K J 1/10W	
R213			RK73GB2A104J	CHIP R 100K J 1/10W	BB1B2
R213			RK73GB2A104J	CHIP R 100K J 1/10W	B3
R214			RK73GB2A104J	CHIP R 100K J 1/10W	AA1A2
R214			RK73GB2A104J	CHIP R 100K J 1/10W	A3
R218			RK73GB2A473J	CHIP R 47K J 1/10W	
R233			RK73GB2A622J	CHIP R 6.2K J 1/10W	
R234			RK73GB2A103J	CHIP R 10K J 1/10W	
S1 ,2			S68-0863-05	PUSH SWITCH	
S3			S68-0862-05	PUSH SWITCH	
S4			S68-0864-05	PUSH SWITCH	A2A3B2
S4			S68-0864-05	PUSH SWITCH	B3
D1			DAN202U	DIODE	
D2			MA8051-L	ZENER DIODE	

B : X92-4450-00 (DXM-6110W) **B1** : X92-4450-01 (DXM-6111W)
B2 : X92-4450-02 (DXM-6112W) **B3** : X92-4450-03 (DXM-6113W)

PARTS LIST

* New Parts

Parts without **Parts No.** are not supplied.

Les articles non mentionnes dans le **Parts No.** ne sont pas fournis.

Teile ohne **Parts No.** werden nicht geliefert.

CD PLAYER UNIT (X32-5180-0X, X32-5200-0X)

Ref. No.	A d d	N e w	Parts No.	Description	D e s t i n a t i o n
D3			DA204U	DIODE	
D4			DAN202U	DIODE	
IC1			AN22000AA	ANALOGUE IC	
IC2		*	MN662773KH2	MOS-IC	BB1B2
IC2		*	MN662773KH2	MOS-IC	B3
IC2			MN662774KJ2	MOS-IC	AA1A2
IC2			MN662774KJ2	MOS-IC	A3
IC4			BA5824FP	ANALOGUE IC	
IC6			NJM4580M1	ANALOGUE IC	
Q1			MCH6101	TRANSISTOR	
Q2			DTC124EUA	DIGITAL TRANSISTOR	
Q3			DTA143XUA	DIGITAL TRANSISTOR	
Q4			2SA1362(Y)	TRANSISTOR	
Q5			DTC124EUA	DIGITAL TRANSISTOR	
CD MECHANISM ASSY (X92-4430-0X, X92-4450-0X)					
2	1B		A10-4827-12	CHASSIS (OUTER)	
5	1B		D10-4576-23	ARM ASSY (CLAMPER ASSY)	
8	2A		D10-4579-03	LEVER ASSY (ROLLER ASSY)	
10	3A		D10-4581-13	ARM (DISC L)	
11	2A		D10-4582-13	ARM (DISC L)	
12	3A		D10-4583-03	ARM (JOINT L)	
13	3A		D10-4584-03	ARM (JOINT R)	
14	3B		D10-4585-03	ARM (CARRIER)	
15	2A		D10-4586-03	SLIDER (L)	
16	3B	*	D10-4587-12	SLIDER (R)	
17	3B		D10-4588-03	SLIDER (TRIG)	
18	3B		D10-4595-04	ARM (LOCK)	
19	3B		D10-4596-04	ARM (ROLLER)	
22	2A		D13-2151-04	GEAR (ROLLER)	
23	2B		D13-2152-04	GEAR (HELICAL 1)	
24	3B		D13-2153-04	GEAR (SUN)	
25	3B		D13-2154-04	GEAR (PLANET)	
26	3B		D13-2155-04	WORM (2)	
27	3B		D13-2156-04	GEAR (HELICAL 2)	
28	3B		D13-2157-04	GEAR (LOAD 1)	
29	3B		D13-2158-04	GEAR (LOAD 2)	
30	3B		D13-2168-04	GEAR (PICK 1)	
31	3B		D13-2171-04	GEAR (PICK 2)	
32	2B		D13-2172-03	RACK (GEAR)	
33	2A		D14-0759-04	ROLLER (N100X3DIES)	
35	2B		D21-2382-04	SHAFT (PICK)	
36	1A		D23-0954-04	RETAINER	
37	1B		D39-0246-05	DAMPER	
38	2B		G01-3072-04	EXTENSION SPRING (TRIGGER)	
39	2A		G01-3073-04	TORSION COIL SPRING (ROLLER L)	
40	2A		G01-3074-04	EXTENSION SPRING (ROLLER R)	
41	2B		G01-3075-04	EXTENSION SPRING (PICKUP)	
42	2A		G01-3076-04	EXTENSION SPRING (JOINT SP)	
43	1B		G01-3077-04	EXTENSION SPRING (FLOATING)	
44	2B		G02-1399-04	FLAT SPRING (CLAMP)	
45	2B		G02-1408-04	FLAT SPRING (WORM)	
51	1A		J21-9676-12	MOUNTING HARDWARE (GUIDE BKT)	
52	3B		J21-9677-02	MOUNTING HARDWARE (GEAR BKT)	

Ref. No.	A d d	N e w	Parts No.	Description	D e s t i n a t i o n
53	1B		J21-9678-03	MOUNTING HARDWARE (DAMPER BKT)	
55	1A		J90-1001-11	GUIDE (1)	
56	1B		J90-1023-03	GUIDE (2)	
DFPC1	2B		J84-0128-15	FLEXIBLE P. W. B. (PICKUP FPC)	
A	2B		N09-4460-05	TAPTITE SCREW (OVAL P TAPTIT)	
B	1B		N09-4472-05	MACHINE SCREW (M1.7X8.5)	
C	2B		N09-6004-05	MACHINE SCREW (M1.7X2.5 IB-L)	
D	1B		N09-6006-05	TAPTITE SCREW (PAN ST 2X3.5T)	
E	2B		N09-6007-05	MACHINE SCREW (PAN M2X2)	
F	1A		N09-6051-05	TAPTITE SCREW (BIND P 2X5)	
G	2A		N19-2163-04	FLAT WASHER (1.6X0.25X6)	
H	1B		N39-2020-46	PAN HEAD MACHIN SCREW (M2X2)	
DM1	3B		T42-1066-04	DC MOTOR ASSY (SP)	
DM2	2B		T42-1067-04	DC MOTOR ASSY (LO)	
DPU1	2B		T25-0105-15	OPTICAL PICKUP HEAD	

A : X92-4430-00 (DXM-6010W) A1 : X92-4430-01 (DXM-6011W)
A2 : X92-4430-02 (DXM-6012W) A3 : X92-4430-03 (DXM-6013W)

B : X92-4450-00 (DXM-6110W) B1 : X92-4450-01 (DXM-6111W)
B2 : X92-4450-02 (DXM-6112W) B3 : X92-4450-03 (DXM-6113W)