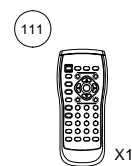
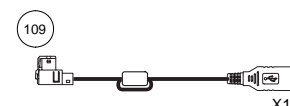
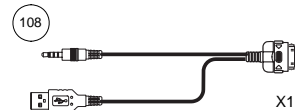
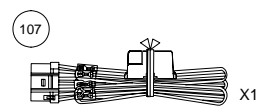
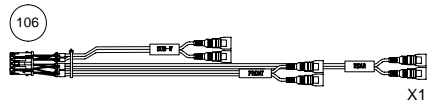
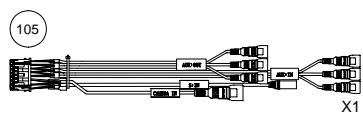
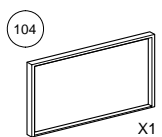
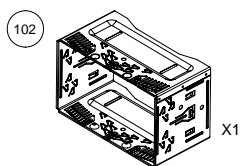
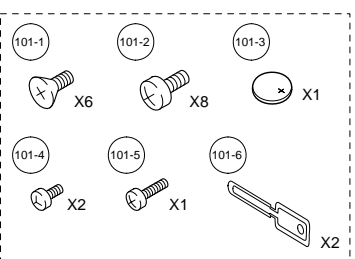
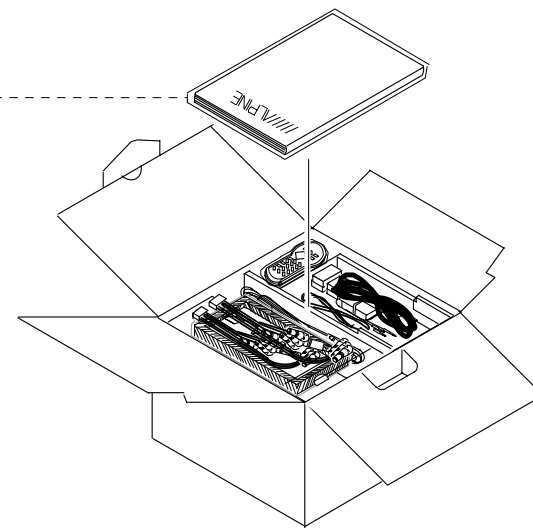
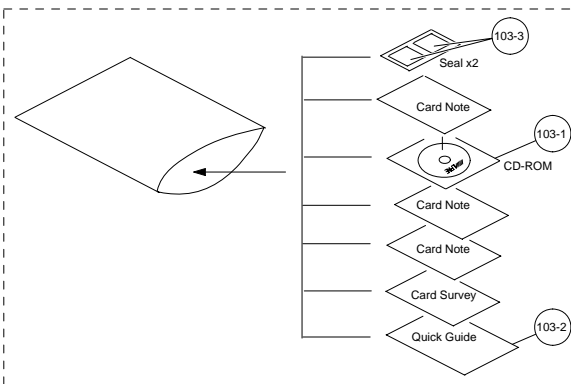
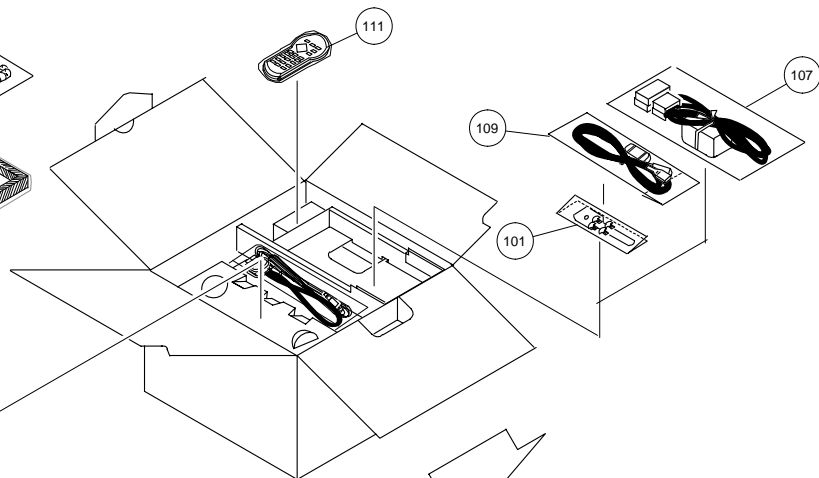
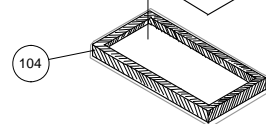
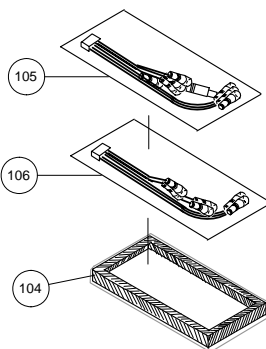
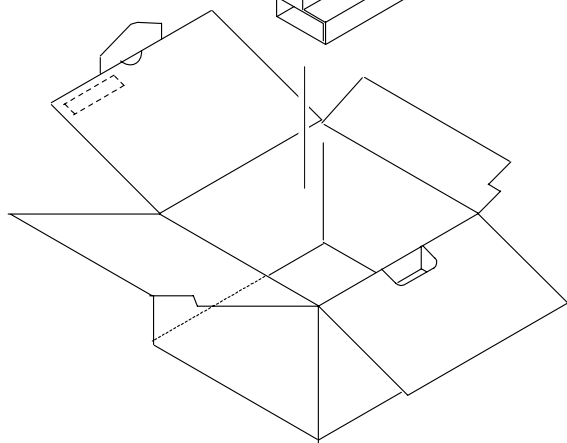
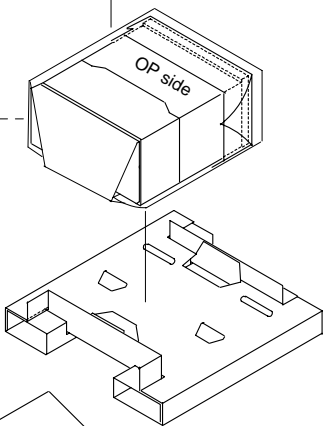
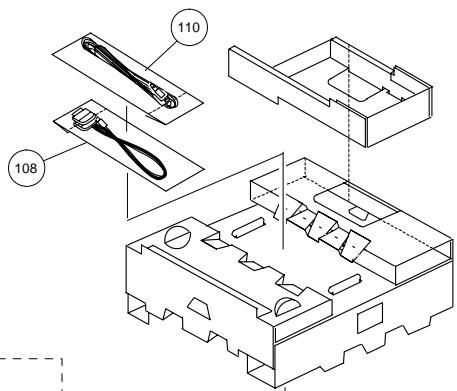
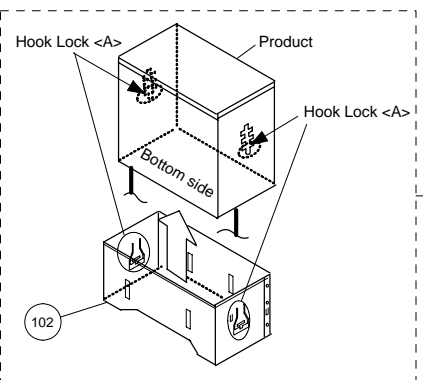


Packing Method View



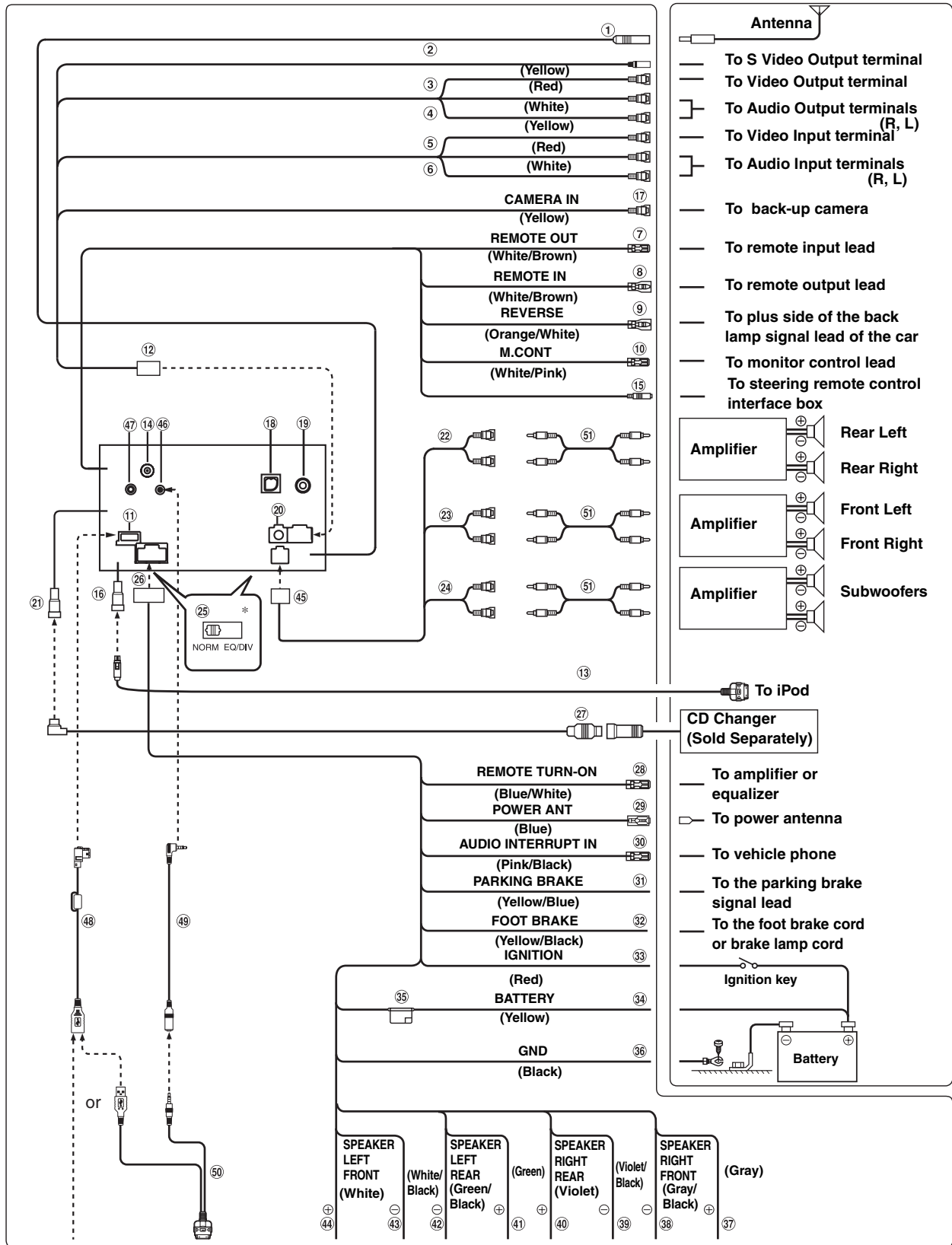
MODEL	Symbol No.	Parts No.	Description
	101-1	03S60820Y16	SCR,MCH 5X8 ZN A
	101-2	03S60820Y17	SCR,MCH 5X8 ZN A
	101-3	60S70585F01	BAT,LIT.3V (CR2025)
	101-4	03-02876Z05	SCR,WEV 2X4 ZB A
	101-5	03S60822Y87	SCR,S-T 2.6X10 ZN A
	101-6	07-01964Z01	BKT,RELEASE
	102	15-05590Z01	CASE,INNER
	103-1	68-10334Z10	O/M-CDROM 2DIN IS
	103-2	68-12118Z41	O/M-QRG AOAM AOTA
	103-3	54-09536Z01	LABEL,CHAS LOCK
	104	33-12546Z01	FACE,PLATE
	105	09-12027Z01	ASSY,EDA0023A
	106	09-11976Z01	ASSY,EDA0024A
	107	09-12300Z01	ASSY,ANIC-0035-01A
	108	09-12482Z01	ASSY,ANID-0077-01A
	109	09-12483Z01	ASSY,ANID-0078-01A
	110	09-12484Z01	ASSY,ANID-0079-01A
	111	97-02173Z01	ASSY,SBNN00003A

Model Code
IVA-W505

NOTE:The part that has not PART NUMBER will not be supplied.

System Connection

Connections



• Set the system switch to "NORM" when only a changer is connected (when the Ai-NET compatible equalizer is not used). When the IMPRINT audio processor is connected, set to EQ/DIV position.

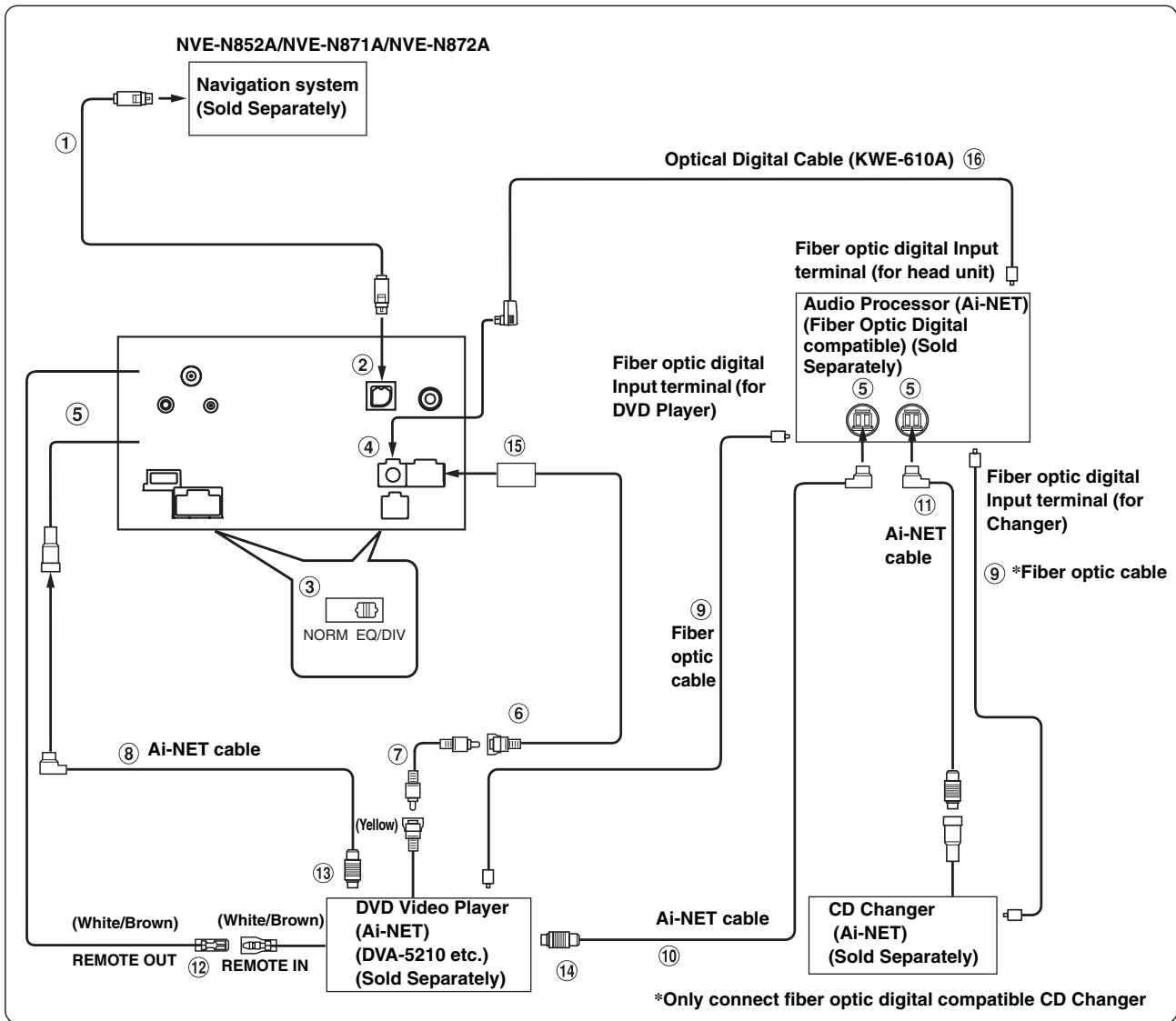
* The two system switches are located on the bottom of the unit.

- ① **Radio Antenna Receptacle**
- ② **S Video Input Connector**
Input the video signal.
Connect to the output terminal of S video of connected devices.
- ③ **Video Input Connector (AUX INPUT) (Yellow)**
Input the video.
- ④ **Audio Input Connectors (AUX INPUT)**
RED is right and WHITE is left input the audio.
- ⑤ **Video Output Connector (AUX OUTPUT) (Yellow)**
Output the video.
- ⑥ **Audio Output Connectors (AUX OUTPUT)**
RED is right and WHITE is left output the audio.
- ⑦ **Remote Control Output Lead (White/Brown)**
Connect this lead to the remote control input lead. This lead outputs the controlling signals from the remote control.
- ⑧ **Remote Control Input Lead (White/Brown)**
Connect the external Alpine product to the remote control output lead.
- ⑨ **Reverse Lead (Orange/White)**
Use only when a back-up camera is connected. Connect to the plus side of the car's reverse lamp. This lamp illuminates when the transmission is shifted into reverse (R).
With this lead properly wired, the video picture automatically switches to the back-up camera whenever the car is put into reverse (R).
- ⑩ **Monitor Control Lead (White/Pink)**
Connect this to the Monitor Control Lead of the touch panel-compatible rear monitor.
- ⑪ **USB Connector**
- ⑫ **AUX I/O Camera In Connector**
- ⑬ **FULL SPEED™ Connection Cable (KCE-422i) (sold separately)**
- ⑭ **GPS Antenna Receptacle**
To GPS Antenna (sold separately).
- ⑮ **Steering Remote Control Interface Connector**
To steering remote control interface box.
For details about connections, consult your nearest Alpine dealer.
- ⑯ **iPod Direct Connector**
iPod control signals.
Connect this to an iPod or an optional Bluetooth Box, using the FULL SPEED™ Connection Cable (KCE-422i) (sold separately).
To use a hands-free mobile phone, an optional Bluetooth Box connection is required. For details on connection, refer to the Owner's Manual of the Bluetooth Box.
- ⑰ **CAMERA Input Connector**
Use when connecting a back-up camera.
- ⑱ **RGB Input Terminal**
Connect this to the RGB output terminal of the Navigation System.
- ⑲ **TMC Antenna Receptacle**
To TMC Antenna (sold separately).
- ⑳ **Digital Output Terminal (Optical)**
Use when combining fiber optic digital input compatible products. Be sure to use the Optical Digital Cable (KWE-610A) (sold separately) only.
- ㉑ **Ai-NET Connector**
Connect this to the output or input connector of another device (CD Changer, Equalizer, HD Radio™ TUNER MODULE, etc.) equipped with Ai-NET.
 - *You can input TV/video sound by connecting an optional Ai-NET/RCA Interface cable (KCA-121B) to this component.*
- ㉒ **Rear Output/Input RCA Connectors**
It can be used as Rear Output or Input RCA Connectors.
- ㉓ **Front Output/Input RCA Connectors**
It can be used as Front Output or Input RCA Connectors.
- ㉔ **Subwoofer RCA Connectors**
RED is right and WHITE is left.
- ㉕ **System Switch**
When connecting an equalizer or divider using Ai-NET feature, place the two switches in the EQ/DIV position.
When no device is connected, leave the switches in the NORM position.
 - *Do not make the two switches to different settings.*
 - *Be sure to turn the power off to the unit before changing the switch position.*
- ㉖ **Power Supply Connector**
- ㉗ **Ai-NET Cable (Included with CD Changer)**
- ㉘ **Remote Turn-On Lead (Blue/White)**
Connect this lead to the remote turn-on lead of your amplifier or signal processor.
- ㉙ **Power Antenna Lead (Blue)**
Connect this lead to the +B terminal of your power antenna, if applicable.
 - *This lead should be used only for controlling the vehicle's power antenna. Do not use this lead to turn on an amplifier or a signal processor, etc.*
- ㉚ **Audio Interrupt In Lead (Pink/Black)**
- ㉛ **Parking Brake Lead (Yellow/Blue)**
Connect this lead to the power supply side of the parking brake switch to transmit the parking brake status signals to the IVA-W505.
- ㉜ **Foot Brake Lead (Yellow/Black)**
Connect to the vehicle's foot brake lead or brake lamp lead.
- ㉝ **Switched Power Lead (Ignition) (Red)**
Connect this lead to an open terminal on the vehicle's fuse box or another unused power source which provides (+) 12V only when the ignition is turned on or in the accessory position.
- ㉞ **Battery Lead (Yellow)**
Connect this lead to the positive (+) post of the vehicle's battery.
- ㉟ **Fuse Holder (10A)**

- ③⑥ **Ground Lead (Black)**
Connect this lead to a good chassis ground on the vehicle. Make sure the connection is made to bare metal and is securely fastened using the sheet metal screw provided.
- ③⑦ **Right Front (+) Speaker Output Lead (Gray)**
- ③⑧ **Right Front (-) Speaker Output Lead (Gray/Black)**
- ③⑨ **Right Rear (-) Speaker Output Lead (Violet/Black)**
- ④① **Right Rear (+) Speaker Output Lead (Violet)**
- ④② **Left Rear (+) Speaker Output Lead (Green)**
- ④③ **Left Rear (-) Speaker Output Lead (Green/Black)**
- ④④ **Left Front (-) Speaker Output Lead (White/Black)**
- ④⑤ **Left Front (+) Speaker Output Lead (White)**
- ④⑥ **RCA Output/Input Connector**
- ④⑦ **iPod AUDIO/VIDEO Input Connector**
Connect this to the AV extension cable.
- ④⑧ **MIC Input Connector**
To Microphone (sold separately).
- ④⑨ **USB extension cable (Included)**
- ⑤① **AV extension cable (Included)**
- ⑤② **USB 30P cable (Included)**
- ⑤③ **RCA Extension Cable (sold separately)**

System Example

Connect the Ai-NET compatible audio processor (Fiber optic digital compatible), Navigation system, DVD player and changer.



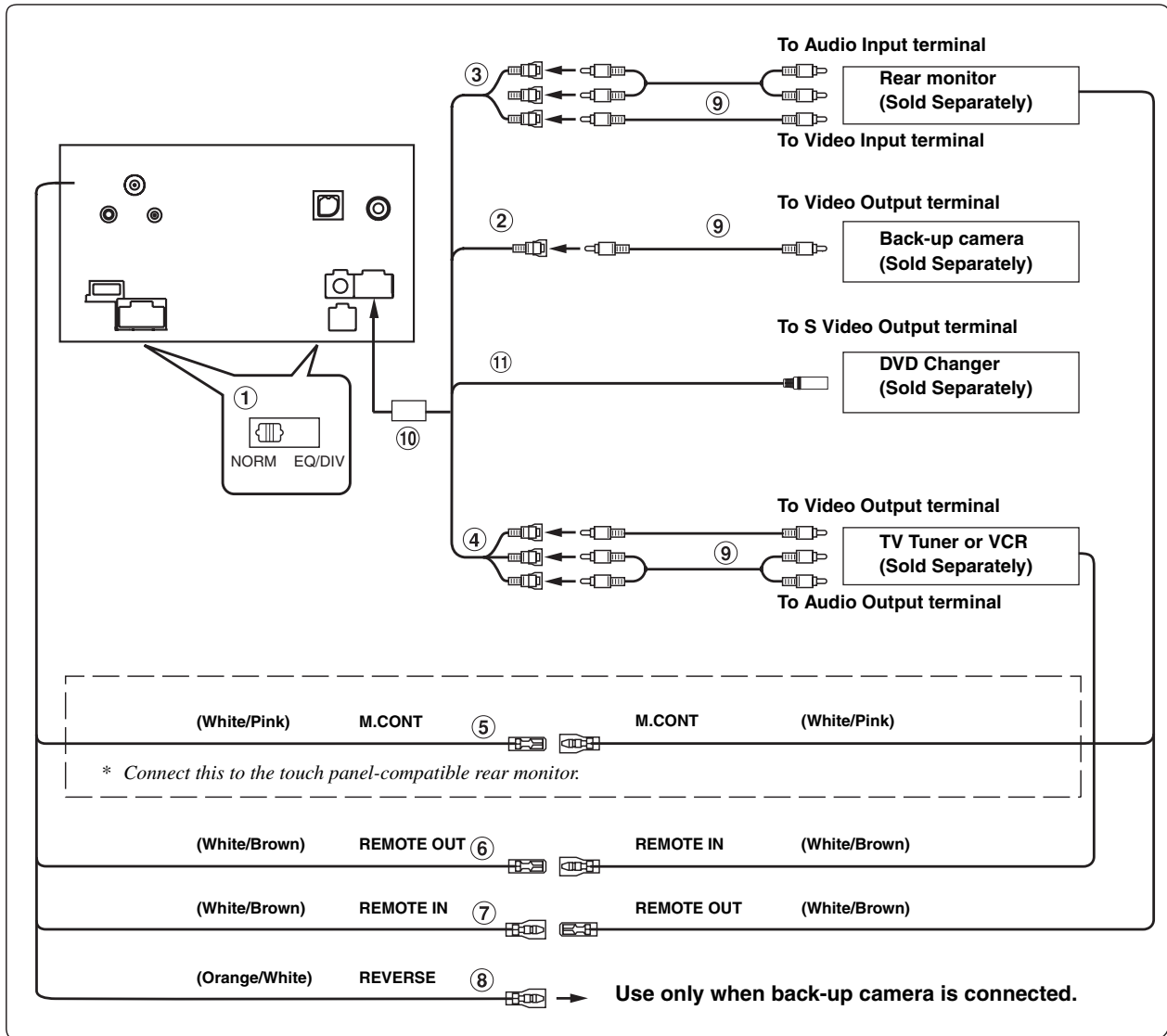
- When the fiber optic compatible product is connected, it is necessary to set the mode of this unit.
- When the NVA-N751AS is connected for the Navigation System, use the RGB conversion cable KWE-503N (Sold separately).

Please observe the following when using Fiber Optic Cable (Optical Digital Cable).

- Do not coil the Fiber Optic Cable smaller than a 30 mm radius.
- Do not place anything on top of the Fiber Optic Cable.
- Be careful not to bend the Fiber Optic Cable at a sharp angle.

- ① **RGB Cable (Included with NVE-N852A/NVE-N872A, not included with NVE-N871A)**
- ② **RGB Input Terminal**
Connect this to the RGB output terminal of the Navigation System.
- ③ **System Switch**
When connecting an equalizer or divider using Ai-NET feature, place the two switches in the EQ/DIV position. When no device is connected, leave the switches in the NORM position.
 - *Do not make the two switches to different settings.*
 - *Be sure to turn the power off to the unit before changing the switch position.*
- ④ **Digital Output Terminal**
- ⑤ **Ai-NET Connector**
Connect this to the output or input connector of other product equipped with Ai-NET.
- ⑥ **Video Input Connector (AUX INPUT) (Yellow)**
Connect the video output lead of a DVD video player or DVD changer to this terminal.
- ⑦ **RCA Extension Cable (Included with DVD video player)**
- ⑧ **Ai-NET Cable (Included with DVD video player)**
- ⑨ **Fiber Optic Cable (Sold Separately)**
- ⑩ **Ai-NET Cable (Included with Audio Processor)**
- ⑪ **Ai-NET Cable (Included with CD Changer)**
- ⑫ **Remote Control Output Lead (White/Brown)**
Connect this lead to the remote control input lead. This lead outputs the controlling signals from the remote control.
- ⑬ **To Ai-NET Connector (Gray)**
- ⑭ **To Ai-NET Connector (Black)**
- ⑮ **AUX I/O Camera In Connector**
- ⑯ **Optical Digital Cable (KWE-610A) (Sold Separately)**

When Connecting External Equipment



① System Switch

When connecting an equalizer or divider using Ai-NET feature, place the two switches in the EQ/DIV position. When no device is connected, leave the switches in the NORM position.

- Do not make the two switches to different settings.
- Be sure to turn the power off to the unit before changing the switch position.

② CAMERA Input Connector

Use when connecting a back-up camera.

③ Video/Audio Output Connectors (AUX OUTPUT)

Use when connecting an optional monitor etc.

④ Video/Audio Input Connectors (AUX INPUT)

⑤ Monitor Control Lead (White/Pink)

Connect this to the Monitor Control Lead of the touch panel-compatible rear monitor.

⑥ Remote Control Output Lead (White/Brown)

Connect this lead to the remote control input lead. This lead outputs the controlling signals from the remote control.

⑦ Remote Control Input Lead (White/Brown)

⑧ Reverse Lead (Orange/White)

Use only when a back-up camera is connected. Connect to the plus side of the car's reverse lamp. This lamp illuminates when the transmission is shifted into reverse (R). With this lead properly wired, the video picture automatically switches to the back-up camera whenever the car is put into reverse (R).

⑨ RCA Extension Cable (Sold Separately)

⑩ AUX I/O Camera In Connector

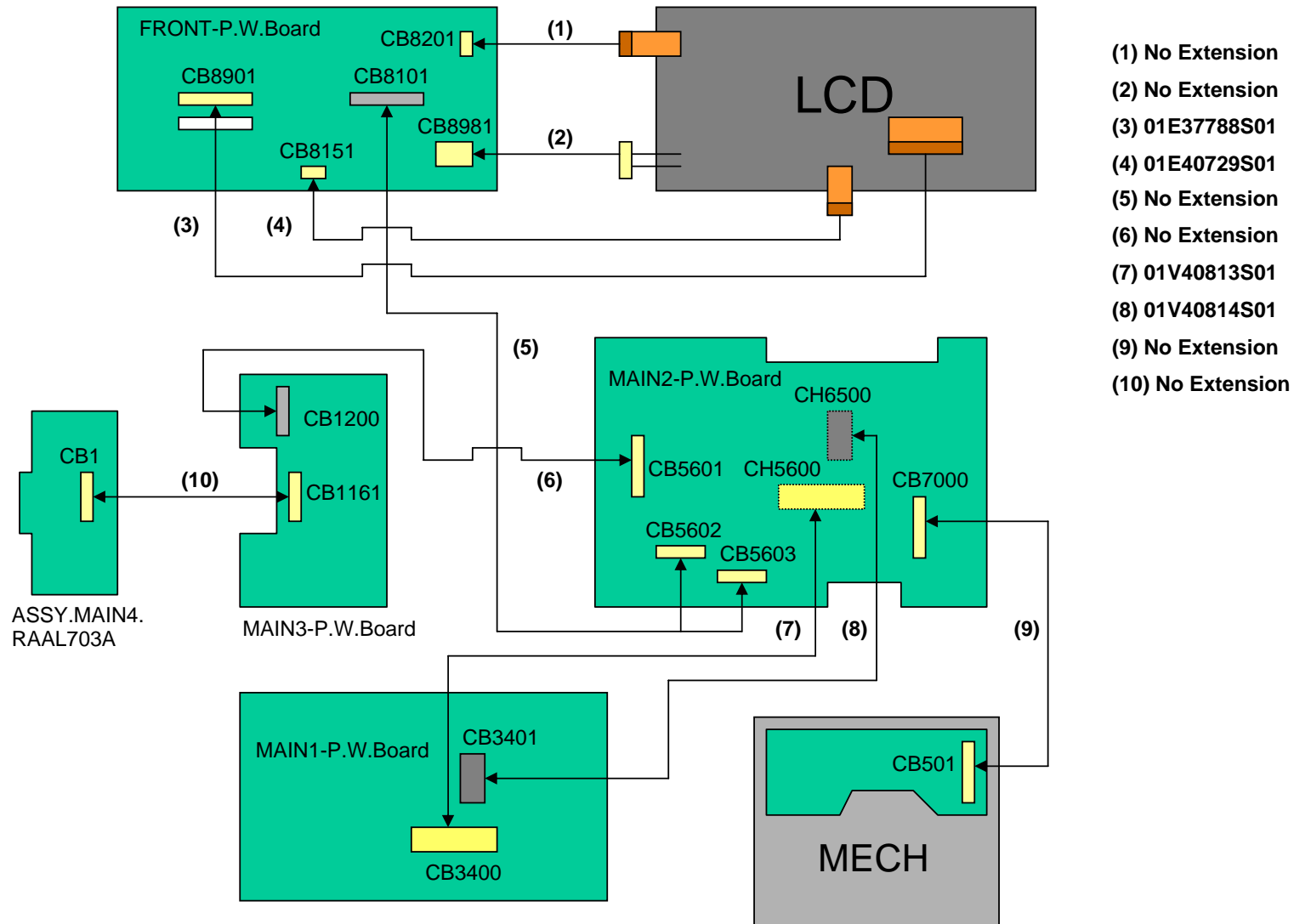
⑪ S Video Input Connector


Input the video signal.

Connect to the output terminal of S video of connected devices.

Extension Cable


*Always connect the Extension Cable when making checks of voltage and repair.



P.W.Board	MIS	MODEL	Ref.	Parts No.	Parts Name
MAIN1-P.W.Board		ANT3301	09-06103Z03		ASSY,ANID-0035-03A
MAIN1-P.W.Board		BZ3410	50T15447Y02		BUZZER,PKM13EPY -R5
MAIN1-P.W.Board		C2002	08S65674Y05		CAP,CER 105KX5R1C-CP
MAIN1-P.W.Board		C2003	08S45676W73		CAP,CER.103K-B1H -CP
MAIN1-P.W.Board		C2004	08S65674Y05		CAP,CER 105KX5R1C-CP
MAIN1-P.W.Board		C2005	08S65674Y05		CAP,CER 105KX5R1C-CP
MAIN1-P.W.Board		C2006	08S65674Y05		CAP,CER 105KX5R1C-CP
MAIN1-P.W.Board		C2007	08S65674Y05		CAP,CER 105KX5R1C-CP
MAIN1-P.W.Board		C2010	08S65674Y05		CAP,CER 105KX5R1C-CP
MAIN1-P.W.Board		C2011	08S65674Y05		CAP,CER 105KX5R1C-CP
MAIN1-P.W.Board		C2012	08S65674Y05		CAP,CER 105KX5R1C-CP
MAIN1-P.W.Board		C2013	08S65674Y05		CAP,CER 105KX5R1C-CP
MAIN1-P.W.Board		C2014	08S65674Y05		CAP,CER 105KX5R1C-CP
MAIN1-P.W.Board		C2200	08S65674Y05		CAP,CER 105KX5R1C-CP
MAIN1-P.W.Board		C2201	08S65674Y05		CAP,CER 105KX5R1C-CP
MAIN1-P.W.Board		C2202	08S65674Y05		CAP,CER 105KX5R1C-CP
MAIN1-P.W.Board		C2203	08S65674Y05		CAP,CER 105KX5R1C-CP
MAIN1-P.W.Board		C2204	08S45677W20		CAP,CER.22RJ-CH1H-CP
MAIN1-P.W.Board		C2205	08S45677W20		CAP,CER.22RJ-CH1H-CP
MAIN1-P.W.Board		C2206	08S45677W20		CAP,CER.22RJ-CH1H-CP
MAIN1-P.W.Board		C2207	08S45677W20		CAP,CER.22RJ-CH1H-CP
MAIN1-P.W.Board		C2208	08S65674Y05		CAP,CER 105KX5R1C-CP
MAIN1-P.W.Board		C2209	08S65674Y05		CAP,CER 105KX5R1C-CP
MAIN1-P.W.Board		C2210	08S65674Y05		CAP,CER 105KX5R1C-CP
MAIN1-P.W.Board		C2211	08S65674Y05		CAP,CER 105KX5R1C-CP
MAIN1-P.W.Board		C2212	08S45677W20		CAP,CER.22RJ-CH1H-CP
MAIN1-P.W.Board		C2213	08S45677W20		CAP,CER.22RJ-CH1H-CP
MAIN1-P.W.Board		C2214	08S45677W20		CAP,CER.22RJ-CH1H-CP
MAIN1-P.W.Board		C2215	08S45677W20		CAP,CER.22RJ-CH1H-CP
MAIN1-P.W.Board		C2216	08S45676W80		CAP,CER 223K-B1E -CP
MAIN1-P.W.Board		C2300	08S45676W85		CAP,CER 104K-B1C -CP
MAIN1-P.W.Board		C2301	08S45539Y04		CAP,CER 103KX7R2J-CP
MAIN1-P.W.Board		C2302	08S45677W60		CAP,CER 102J-CH1H-CP
MAIN1-P.W.Board		C2400	08S45676W80		CAP,CER 223K-B1E -CP
MAIN1-P.W.Board		C2401	08S45677W25		CAP,CER 36RJ-CH1H-CP
MAIN1-P.W.Board		C2402	08S45677W25		CAP,CER 36RJ-CH1H-CP
MAIN1-P.W.Board		C2403	08S45676W80		CAP,CER 223K-B1E -CP
MAIN1-P.W.Board		C2404	08S45676W80		CAP,CER 223K-B1E -CP
MAIN1-P.W.Board		C2405	08S65670Y01		CAP,CER 106KX5R1C-CP
MAIN1-P.W.Board		C2406	08S65670Y01		CAP,CER 106KX5R1C-CP
MAIN1-P.W.Board		C2407	08S65670Y01		CAP,CER 106KX5R1C-CP
MAIN1-P.W.Board		C2408	08S65670Y01		CAP,CER 106KX5R1C-CP
MAIN1-P.W.Board		C2500	08S45676W80		CAP,CER 223K-B1E -CP
MAIN1-P.W.Board		C2501	08S45676W80		CAP,CER 223K-B1E -CP
MAIN1-P.W.Board		C2502	08-02764Z03		CAP,TF 224K-1E -CP
MAIN1-P.W.Board		C2503	08-02764Z03		CAP,TF 224K-1E -CP
MAIN1-P.W.Board		C2504	08-02764Z03		CAP,TF 224K-1E -CP


Model Code
IVA-W505

NOTE:The part that has not PART NUMBER will not be supplied.

P.W.Board	MIS	MODEL	Ref.	Parts No.	Parts Name
MAIN1-P.W.Board		C2505	08-02764Z03		CAP,TF 224K-1E -CP
MAIN1-P.W.Board		C2601	08S45676W85		CAP,CER 104K-B1C -CP
MAIN1-P.W.Board		C2602	08T81833F07		CAP,CER 105K-B1C -CP
MAIN1-P.W.Board		C3203	08S45539Y04		CAP,CER 103KX7R2J-CP
MAIN1-P.W.Board		C3204	08S45676W80		CAP,CER 223K-B1E -CP
MAIN1-P.W.Board		C3205	08S45539Y04		CAP,CER 103KX7R2J-CP
MAIN1-P.W.Board		C3207	08S60102F44		CAP,CER 474K-B1E -CP
MAIN1-P.W.Board		C3300	08S45676W85		CAP,CER 104K-B1C -CP
MAIN1-P.W.Board		C3301	08S45676W85		CAP,CER 104K-B1C -CP
MAIN1-P.W.Board		C3303	08S45676W93		CAP,CER 224K-B1A -CP
MAIN1-P.W.Board		C3304	08S45677W54		CAP,CER 561J-CH1H-CP
MAIN1-P.W.Board		C3305	08S45677W42		CAP,CER.181J-CH1H-CP
MAIN1-P.W.Board		C3306	08S65128F78		CAP,CER.223K-B1H -CP
MAIN1-P.W.Board		C3421	08S65128F88		CAP,CER 104K-B1H -CP
MAIN1-P.W.Board		C3500	08S45677W60		CAP,CER 102J-CH1H-CP
MAIN1-P.W.Board		C3501	08S45677W60		CAP,CER 102J-CH1H-CP
MAIN1-P.W.Board		C3502	08S45676W75		CAP,CER.153K-B1H -CP
MAIN1-P.W.Board		C3503	08S45676W75		CAP,CER.153K-B1H -CP
MAIN1-P.W.Board		C3504	08S45676W75		CAP,CER.153K-B1H -CP
MAIN1-P.W.Board		C3505	08S45676W75		CAP,CER.153K-B1H -CP
MAIN1-P.W.Board		C3506	08S45676W75		CAP,CER.153K-B1H -CP
MAIN1-P.W.Board		C3600	08S45539Y04		CAP,CER 103KX7R2J-CP
MAIN1-P.W.Board		C3603	08T55390W34		CAP,TF 274J-1H -R5
MAIN1-P.W.Board		C3604	08S45676W85		CAP,CER 104K-B1C -CP
MAIN1-P.W.Board		C3605	08S45676W80		CAP,CER 223K-B1E -CP
MAIN1-P.W.Board		C3606	08S45676W80		CAP,CER 223K-B1E -CP
MAIN1-P.W.Board		C3607	08S65128F90		CAP,CER 473K-B1H -CP
MAIN1-P.W.Board		C3608	08S45539Y04		CAP,CER 103KX7R2J-CP
MAIN1-P.W.Board		C3609	08S45539Y04		CAP,CER 103KX7R2J-CP
MAIN1-P.W.Board		C3611	08S45539Y04		CAP,CER 103KX7R2J-CP
MAIN1-P.W.Board		C3612	08S45539Y04		CAP,CER 103KX7R2J-CP
MAIN1-P.W.Board		C3700	08S45676W85		CAP,CER 104K-B1C -CP
MAIN1-P.W.Board		C3701	08S45676W85		CAP,CER 104K-B1C -CP
MAIN1-P.W.Board		C3702	08S45676W85		CAP,CER 104K-B1C -CP
MAIN1-P.W.Board		C3703	08S45676W85		CAP,CER 104K-B1C -CP
MAIN1-P.W.Board		C3704	08S45676W85		CAP,CER 104K-B1C -CP
MAIN1-P.W.Board		C3705	08S45676W85		CAP,CER 104K-B1C -CP
MAIN1-P.W.Board		C3707	08S45676W85		CAP,CER 104K-B1C -CP
MAIN1-P.W.Board		C3708	08S65667Y01		CAP,CER 224KX5R1C-CP
MAIN1-P.W.Board		C3709	08S65667Y01		CAP,CER 224KX5R1C-CP
MAIN1-P.W.Board		C3710	08S65667Y01		CAP,CER 224KX5R1C-CP
MAIN1-P.W.Board		C3711	08S60102F44		CAP,CER 474K-B1E -CP
MAIN1-P.W.Board		CB2200	09-01509Z04		WTB,BM12B-GHS -ES
MAIN1-P.W.Board		CB2231	09-07665Z01		WTB,S10B-PADSS-1 -DB
MAIN1-P.W.Board		CB3200	09T03498K11		WTB,53253-1110 -DB
MAIN1-P.W.Board		CB3400	09-12166Z01		BTB,240405370W3 -EZ
MAIN1-P.W.Board		CB3401	09-11962Z01		BTB,TKC-W20P-U1 -DS

Model Code
IVA-W505

NOTE:The part that has not PART NUMBER will not be supplied.

P.W.Board	MIS	MODEL	Ref.	Parts No.	Parts Name
MAIN1-P.W.Board		CB3500	09T03498K02	WTB,53253-0210	-DB
MAIN1-P.W.Board		CB3600	09T35473Y16	WTB,F169B001-16	-DB
MAIN1-P.W.Board		D2100	48T25651W01	DIO,MA152WA	-CP
MAIN1-P.W.Board		D2101	48T25651W01	DIO,MA152WA	-CP
MAIN1-P.W.Board		D2102	48T25651W01	DIO,MA152WA	-CP
MAIN1-P.W.Board		D2300	48T75527Y01	DIO,1SR154-400	-E1
MAIN1-P.W.Board		D3200	48T75527Y01	DIO,1SR154-400	-E1
MAIN1-P.W.Board		D3201	48T85357W01	DIO,1PS226	-CP
MAIN1-P.W.Board		D3203	48T25651W02	DIO,MA152WK-TX	-CP
MAIN1-P.W.Board		D3300	48T85357W01	DIO,1PS226	-CP
MAIN1-P.W.Board		D3420	48-06706Z01	DIO,MA2J111-TX	-CP
MAIN1-P.W.Board		D3450	48T25651W02	DIO,MA152WK-TX	-CP
MAIN1-P.W.Board		D3500	48T25274Y01	DIO,MA4S159-TX	-CP
MAIN1-P.W.Board		D3501	48T75527Y01	DIO,1SR154-400	-E1
MAIN1-P.W.Board		D3600	48T25651W02	DIO,MA152WK-TX	-CP
MAIN1-P.W.Board		D3601	48T25651W02	DIO,MA152WK-TX	-CP
MAIN1-P.W.Board		D3602	48T75527Y01	DIO,1SR154-400	-E1
MAIN1-P.W.Board		D3605	48T75527Y01	DIO,1SR154-400	-E1
MAIN1-P.W.Board		D3700	48T75527Y01	DIO,1SR154-400	-E1
MAIN1-P.W.Board		D3701	48T75527Y01	DIO,1SR154-400	-E1
MAIN1-P.W.Board		E2000	23S65134W23	CAP,ELY 101-1A(6)	-E6
MAIN1-P.W.Board		E2001	23S65134W31	CAP,ELY 10R-1C(4)	-E2
MAIN1-P.W.Board		E2002	23S65134W41	CAP,ELY 4R7-1E(3)	-E2
MAIN1-P.W.Board		E2003	23S65134W41	CAP,ELY 4R7-1E(3)	-E2
MAIN1-P.W.Board		E2100	23S65134W52	CAP,ELY 3R3-1V(3)	-E2
MAIN1-P.W.Board		E2101	23S65134W52	CAP,ELY 3R3-1V(3)	-E2
MAIN1-P.W.Board		E2102	23S65134W52	CAP,ELY 3R3-1V(3)	-E2
MAIN1-P.W.Board		E2103	23S65134W52	CAP,ELY 3R3-1V(3)	-E2
MAIN1-P.W.Board		E2104	23S65134W52	CAP,ELY 3R3-1V(3)	-E2
MAIN1-P.W.Board		E2105	23S65134W52	CAP,ELY 3R3-1V(3)	-E2
MAIN1-P.W.Board		E2200	23S65134W32	CAP,ELY 22R-1C(5)	-E3
MAIN1-P.W.Board		E2400	23S65134W32	CAP,ELY 22R-1C(5)	-E3
MAIN1-P.W.Board		E2401	23S65134W31	CAP,ELY 10R-1C(4)	-E2
MAIN1-P.W.Board		E2403	23S65134W41	CAP,ELY 4R7-1E(3)	-E2
MAIN1-P.W.Board		E2404	23S65134W41	CAP,ELY 4R7-1E(3)	-E2
MAIN1-P.W.Board		E2500	23S65134W31	CAP,ELY 10R-1C(4)	-E2
MAIN1-P.W.Board		E2501	23S65134W31	CAP,ELY 10R-1C(4)	-E2
MAIN1-P.W.Board		E2502	23T65114Y17	CAP,FK 10R-1C-B	-E2
MAIN1-P.W.Board		E2503	23T65114Y17	CAP,FK 10R-1C-B	-E2
MAIN1-P.W.Board		E2504	23T65114Y17	CAP,FK 10R-1C-B	-E2
MAIN1-P.W.Board		E2505	23T65114Y17	CAP,FK 10R-1C-B	-E2
MAIN1-P.W.Board		E2600	23S65134W65	CAP,ELY 1R0-1H(3)	-E2
MAIN1-P.W.Board		E2601	23S75244Y17	CAP,ELY 22R-1C	-E2
MAIN1-P.W.Board		E2602	23S65134W73	CAP,ELY 4R7-1H(5)	-E3
MAIN1-P.W.Board		E3200	23S65134W45	CAP,ELY 33R-1E(6)	-E6
MAIN1-P.W.Board		E3301	23T65114Y21	CAP,FK 221-1C-D8	-E6
MAIN1-P.W.Board		E3450	23S65134W34	CAP,ELY 47R-1C(6)	-E6

Model Code
IVA-W505

NOTE:The part that has not PART NUMBER will not be supplied.

P.W.Board	MIS	MODEL	Ref.	Parts No.	Parts Name
MAIN1-P.W.Board		E3500		23S65134W35	CAP,ELY 101-1C(8)-E6
MAIN1-P.W.Board		E3601		23T75325Y01	CAP,VB 332-1C +
MAIN1-P.W.Board		E3700		23S65134W23	CAP,ELY 101-1A(6)-E6
MAIN1-P.W.Board		E3701		23S65134W26	CAP,ELY 471-1A(8)-EA
MAIN1-P.W.Board		E3702		23S65134W26	CAP,ELY 471-1A(8)-EA
MAIN1-P.W.Board		E3703		23S65134W38	CAP,ELY 471-1C(1)-EA
MAIN1-P.W.Board		E3704		23S65134W23	CAP,ELY 101-1A(6)-E6
MAIN1-P.W.Board		E3706		23S65134W36	CAP,ELY 221-1C(8)-EA
MAIN1-P.W.Board		F2300		65T75477Y13	FUSE,CCP2E 4.0A -CP
MAIN1-P.W.Board		IC2000		51-07764Z01	TDA7417 -QE6
MAIN1-P.W.Board		IC2200		51T93340F02	NJM2060V-TE2 -SE2
MAIN1-P.W.Board		IC2400		51T93340F02	NJM2060V-TE2 -SE2
MAIN1-P.W.Board		IC2500		51T25612Y01	TC4066BFT-EL -SE5
MAIN1-P.W.Board		IC2501		51T25612Y01	TC4066BFT-EL -SE5
MAIN1-P.W.Board		IC2600		51T65184Y01	TB2901H -ZS
MAIN1-P.W.Board		IC3200		51-11615Z01	BD7300EFV-E2 -SE6
MAIN1-P.W.Board		IC3500		51T25259Y03	BA00ASFP-E2 -NE5
MAIN1-P.W.Board		IC3501		51T25448Y01	BA6219BFP-Y-E2 -SE9
MAIN1-P.W.Board		IC3700		51T65147Y01	HA13165 -ZS
MAIN1-P.W.Board		L2001		24T45379Y03	IND,D53LC 3R3M -E2
MAIN1-P.W.Board		L3300		24T25164Y21	IND,FSLM2520 4R7J-CP
MAIN1-P.W.Board		L3301		24T16403W29	COI,IND.15R-M -CP
MAIN1-P.W.Board		L3302		24T45379Y03	IND,D53LC 3R3M -E2
MAIN1-P.W.Board		Q2100		48T25317Y01	TR,XN0F256-TX -CP
MAIN1-P.W.Board		Q2101		48T25317Y01	TR,XN0F256-TX -CP
MAIN1-P.W.Board		Q2102		48T25317Y01	TR,XN0F256-TX -CP
MAIN1-P.W.Board		Q2601		48T64222F01	TR,UN2211 10-10-TXCP
MAIN1-P.W.Board		Q2602		48T64222F02	TR,UN2212 22-22-TXCP
MAIN1-P.W.Board		Q2603		48T64222F02	TR,UN2212 22-22-TXCP
MAIN1-P.W.Board		Q2605		48T45594W12	TR ,XN1A312 -TX-CP
MAIN1-P.W.Board		Q3200		48T45594W12	TR ,XN1A312 -TX-CP
MAIN1-P.W.Board		Q3300		48T64222F12	TR,UN221L-TX -CP
MAIN1-P.W.Board		Q3302		48-09581Z03	TR,KTA1505S-Y-RTK-CP
MAIN1-P.W.Board		Q3410		48-07989Z03	TR,UNR5213J-TX -CP
MAIN1-P.W.Board		Q3450		48T45594W12	TR ,XN1A312 -TX-CP
MAIN1-P.W.Board		Q3451		48T45594W12	TR ,XN1A312 -TX-CP
MAIN1-P.W.Board		Q3452		48-07989Z02	TR,UNR5212J-TX -CP
MAIN1-P.W.Board		Q3453		48-07989Z02	TR,UNR5212J-TX -CP
MAIN1-P.W.Board		Q3470		48-07989Z02	TR,UNR5212J-TX -CP
MAIN1-P.W.Board		Q3471		48-09581Z03	TR,KTA1505S-Y-RTK-CP
MAIN1-P.W.Board		Q3500		48T45594W16	TR,XN1A311-TX -CP
MAIN1-P.W.Board		Q3501		48T45594W16	TR,XN1A311-TX -CP
MAIN1-P.W.Board		Q3600		48T64221F11	TR,UN211L-TX -CP
MAIN1-P.W.Board		Q3601		48T64221F11	TR,UN211L-TX -CP
MAIN1-P.W.Board		Q3602		48T84366F05	TR,2SB1243-R-TV2 -RD
MAIN1-P.W.Board		Q3603		48T62967F25	TR,DTC123JKA-T146-CP
MAIN1-P.W.Board		Q3608		48T64222F02	TR,UN2212 22-22-TXCP

Model Code
IVA-W505

NOTE:The part that has not PART NUMBER will not be supplied.

P.W.Board	MIS	MODEL	Ref.	Parts No.	Parts Name
MAIN1-P.W.Board		Q3609	48T64222F02	TR,UN2212 22-22-TXCP	
MAIN1-P.W.Board		Q3700	48T45594W16	TR,XN1A311-TX -CP	
MAIN1-P.W.Board		Q3701	48T64222F12	TR,UN221L-TX -CP	
MAIN1-P.W.Board		Q3702	48T45594W12	TR ,XN1A312 -TX-CP	
MAIN1-P.W.Board		R2005	06S55365Y41	RES,RK 101J 1/10 -CP	
MAIN1-P.W.Board		R2006	06S55365Y41	RES,RK 101J 1/10 -CP	
MAIN1-P.W.Board		R2008	06S35084Y25	RES,RK 102F 1/8 -CP	
MAIN1-P.W.Board		R2009	06S35084Y25	RES,RK 102F 1/8 -CP	
MAIN1-P.W.Board		R2010	06S35084Y25	RES,RK 102F 1/8 -CP	
MAIN1-P.W.Board		R2100	06S55365Y83	RES,RK 562J 1/10 -CP	
MAIN1-P.W.Board		R2101	06S55365Y83	RES,RK 562J 1/10 -CP	
MAIN1-P.W.Board		R2102	06S55365Y83	RES,RK 562J 1/10 -CP	
MAIN1-P.W.Board		R2103	06S55365Y83	RES,RK 562J 1/10 -CP	
MAIN1-P.W.Board		R2104	06S55365Y83	RES,RK 562J 1/10 -CP	
MAIN1-P.W.Board		R2105	06S55365Y83	RES,RK 562J 1/10 -CP	
MAIN1-P.W.Board		R2106	06S55366Y08	RES,RK 563J 1/10 -CP	
MAIN1-P.W.Board		R2107	06S55366Y08	RES,RK 563J 1/10 -CP	
MAIN1-P.W.Board		R2108	06S55366Y08	RES,RK 563J 1/10 -CP	
MAIN1-P.W.Board		R2109	06S55366Y08	RES,RK 563J 1/10 -CP	
MAIN1-P.W.Board		R2110	06S55366Y08	RES,RK 563J 1/10 -CP	
MAIN1-P.W.Board		R2111	06S55366Y08	RES,RK 563J 1/10 -CP	
MAIN1-P.W.Board		R2112	06S55363Y48	RES,RK 201J 1/8 -CP	
MAIN1-P.W.Board		R2113	06S55363Y48	RES,RK 201J 1/8 -CP	
MAIN1-P.W.Board		R2114	06S55363Y48	RES,RK 201J 1/8 -CP	
MAIN1-P.W.Board		R2115	06S55363Y48	RES,RK 201J 1/8 -CP	
MAIN1-P.W.Board		R2116	06S64995F29	RES,RK 101J 1/8 -CP	
MAIN1-P.W.Board		R2117	06S64995F29	RES,RK 101J 1/8 -CP	
MAIN1-P.W.Board		R2118	06S64995F29	RES,RK 101J 1/8 -CP	
MAIN1-P.W.Board		R2119	06S64995F29	RES,RK 101J 1/8 -CP	
MAIN1-P.W.Board		R2120	06S64995F29	RES,RK 101J 1/8 -CP	
MAIN1-P.W.Board		R2121	06S64995F29	RES,RK 101J 1/8 -CP	
MAIN1-P.W.Board		R2122	06S64995F37	RES,RK 221J 1/8 -CP	
MAIN1-P.W.Board		R2123	06S64995F37	RES,RK 221J 1/8 -CP	
MAIN1-P.W.Board		R2200	06S15593Y81	RES,RK 223F 1/10 -CP	
MAIN1-P.W.Board		R2201	06S15593Y81	RES,RK 223F 1/10 -CP	
MAIN1-P.W.Board		R2202	06S15593Y81	RES,RK 223F 1/10 -CP	
MAIN1-P.W.Board		R2203	06S15593Y81	RES,RK 223F 1/10 -CP	
MAIN1-P.W.Board		R2204	06S15593Y81	RES,RK 223F 1/10 -CP	
MAIN1-P.W.Board		R2205	06S15593Y81	RES,RK 223F 1/10 -CP	
MAIN1-P.W.Board		R2206	06S15593Y81	RES,RK 223F 1/10 -CP	
MAIN1-P.W.Board		R2207	06S15593Y81	RES,RK 223F 1/10 -CP	
MAIN1-P.W.Board		R2208	06S15593Y81	RES,RK 223F 1/10 -CP	
MAIN1-P.W.Board		R2209	06S15593Y81	RES,RK 223F 1/10 -CP	
MAIN1-P.W.Board		R2210	06S15593Y81	RES,RK 223F 1/10 -CP	
MAIN1-P.W.Board		R2211	06S15593Y81	RES,RK 223F 1/10 -CP	
MAIN1-P.W.Board		R2212	06S15593Y81	RES,RK 223F 1/10 -CP	
MAIN1-P.W.Board		R2213	06S15593Y81	RES,RK 223F 1/10 -CP	

Model Code
IVA-W505

NOTE:The part that has not PART NUMBER will not be supplied.

P.W.Board	MIS	MODEL	Ref.	Parts No.	Parts Name
MAIN1-P.W.Board		R2214		06S15593Y81	RES,RK 223F 1/10 -CP
MAIN1-P.W.Board		R2215		06S15593Y81	RES,RK 223F 1/10 -CP
MAIN1-P.W.Board		R2300		06S55365Y89	RES,RK 103J 1/10 -CP
MAIN1-P.W.Board		R2301		06S55365Y89	RES,RK 103J 1/10 -CP
MAIN1-P.W.Board		R2302		06S55361Y51	RES,RK 271J 1/4 -CP
MAIN1-P.W.Board		R2303		06S55361Y51	RES,RK 271J 1/4 -CP
MAIN1-P.W.Board		R2400		06S55365Y66	RES,RK 112J 1/10 -CP
MAIN1-P.W.Board		R2401		06S55365Y66	RES,RK 112J 1/10 -CP
MAIN1-P.W.Board		R2402		06S55365Y97	RES,RK 223J 1/10 -CP
MAIN1-P.W.Board		R2403		06S55365Y97	RES,RK 223J 1/10 -CP
MAIN1-P.W.Board		R2404		06S55365Y97	RES,RK 223J 1/10 -CP
MAIN1-P.W.Board		R2405		06S55365Y97	RES,RK 223J 1/10 -CP
MAIN1-P.W.Board		R2406		06S55365Y66	RES,RK 112J 1/10 -CP
MAIN1-P.W.Board		R2407		06S55365Y66	RES,RK 112J 1/10 -CP
MAIN1-P.W.Board		R2408		06S15593Y81	RES,RK 223F 1/10 -CP
MAIN1-P.W.Board		R2409		06S15593Y81	RES,RK 223F 1/10 -CP
MAIN1-P.W.Board		R2410		06S15593Y70	RES,RK 752F 1/10 -CP
MAIN1-P.W.Board		R2411		06S15593Y70	RES,RK 752F 1/10 -CP
MAIN1-P.W.Board		R2413		06S55365Y41	RES,RK 101J 1/10 -CP
MAIN1-P.W.Board		R2414		06S55365Y41	RES,RK 101J 1/10 -CP
MAIN1-P.W.Board		R2601		06S55365Y85	RES,RK 682J 1/10 -CP
MAIN1-P.W.Board		R2602		06S55365Y93	RES,RK 153J 1/10 -CP
MAIN1-P.W.Board		R2603		06S55365Y49	RES,RK 221J 1/10 -CP
MAIN1-P.W.Board		R2604		06S45674W33	RES,RK 101J 1/10 -CP
MAIN1-P.W.Board		R2605		06S55366Y06	RES,RK 473J 1/10 -CP
MAIN1-P.W.Board		R2610		06S55365Y89	RES,RK 103J 1/10 -CP
MAIN1-P.W.Board		R2611		06S55366Y06	RES,RK 473J 1/10 -CP
MAIN1-P.W.Board		R3200		06S55361Y65	RES,RK 102J 1/4 -CP
MAIN1-P.W.Board		R3201		06S15594Y15	RES,RK 514F 1/10 -CP
MAIN1-P.W.Board		R3202		06S55361Y65	RES,RK 102J 1/4 -CP
MAIN1-P.W.Board		R3203		06S55361Y65	RES,RK 102J 1/4 -CP
MAIN1-P.W.Board		R3204		06S55361Y65	RES,RK 102J 1/4 -CP
MAIN1-P.W.Board		R3205		06S55361Y65	RES,RK 102J 1/4 -CP
MAIN1-P.W.Board		R3206		06S55361Y65	RES,RK 102J 1/4 -CP
MAIN1-P.W.Board		R3207		06S15593Y87	RES,RK 393F 1/10 -CP
MAIN1-P.W.Board		R3210		06S15593Y85	RES,RK 333F 1/10 -CP
MAIN1-P.W.Board		R3211		06S15594Y12	RES,RK 394F 1/10 -CP
MAIN1-P.W.Board		R3212		06S55366Y06	RES,RK 473J 1/10 -CP
MAIN1-P.W.Board		R3213		06S55365Y65	RES,RK 102J 1/10 -CP
MAIN1-P.W.Board		R3300		06S55365Y89	RES,RK 103J 1/10 -CP
MAIN1-P.W.Board		R3301		06S55361Y71	RES,RK 182J 1/4 -CP
MAIN1-P.W.Board		R3302		06S55361Y71	RES,RK 182J 1/4 -CP
MAIN1-P.W.Board		R3303		06S55366Y14	RES,RK 104J 1/10 -CP
MAIN1-P.W.Board		R3304		06S55366Y14	RES,RK 104J 1/10 -CP
MAIN1-P.W.Board		R3306		06S55365Y41	RES,RK 101J 1/10 -CP
MAIN1-P.W.Board		R3307		06S55365Y41	RES,RK 101J 1/10 -CP
MAIN1-P.W.Board		R3308		06S55365Y41	RES,RK 101J 1/10 -CP




Model Code
IVA-W505

NOTE:The part that has not PART NUMBER will not be supplied.

P.W.Board	MIS	MODEL	Ref.	Parts No.	Parts Name
MAIN1-P.W.Board		R3309		06S55366Y39	RES,RK JUMPER1/10-CP
MAIN1-P.W.Board		R3310		06S55366Y39	RES,RK JUMPER1/10-CP
MAIN1-P.W.Board		R3311		06S45674W57	RES,RK 102J 1/10 -CP
MAIN1-P.W.Board		R3312		06S15593Y73	RES,RK 103F 1/10 -CP
MAIN1-P.W.Board		R3313		06S15593Y73	RES,RK 103F 1/10 -CP
MAIN1-P.W.Board		R3314		06S45674W89	RES,RK 223J 1/10 -CP
MAIN1-P.W.Board		R3316		06S55361Y17	RES,RK 10RJ 1/4 -CP
MAIN1-P.W.Board		R3317		06S55366Y39	RES,RK JUMPER1/10-CP
MAIN1-P.W.Board		R3410		06S55365Y89	RES,RK 103J 1/10 -CP
MAIN1-P.W.Board		R3411		06S55361Y65	RES,RK 102J 1/4 -CP
MAIN1-P.W.Board		R3420		06S15593Y91	RES,RK 563F 1/10 -CP
MAIN1-P.W.Board		R3422		06S35083Y51	RES,RK 334F 1/4 -CP
MAIN1-P.W.Board		R3430		06S55365Y97	RES,RK 223J 1/10 -CP
MAIN1-P.W.Board		R3431		06S55365Y97	RES,RK 223J 1/10 -CP
MAIN1-P.W.Board		R3450		06S55365Y41	RES,RK 101J 1/10 -CP
MAIN1-P.W.Board		R3451		06S55365Y89	RES,RK 103J 1/10 -CP
MAIN1-P.W.Board		R3452		06S55365Y92	RES,RK 133J 1/10 -CP
MAIN1-P.W.Board		R3470		06S55365Y97	RES,RK 223J 1/10 -CP
MAIN1-P.W.Board		R3471		06S55366Y06	RES,RK 473J 1/10 -CP
MAIN1-P.W.Board		R3472		06S55365Y73	RES,RK 222J 1/10 -CP
MAIN1-P.W.Board		R3501		06S15593Y77	RES,RK 153F 1/10 -CP
MAIN1-P.W.Board		R3502		06S15593Y57	RES,RK 222F 1/10 -CP
MAIN1-P.W.Board		R3503		06S15593Y59	RES,RK 272F 1/10 -CP
MAIN1-P.W.Board		R3504		06S55361Y29	RES,RK 33RJ 1/4 -CP
MAIN1-P.W.Board		R3505		06S55361Y29	RES,RK 33RJ 1/4 -CP
MAIN1-P.W.Board		R3506		06S55361Y29	RES,RK 33RJ 1/4 -CP
MAIN1-P.W.Board		R3507		06S55361Y29	RES,RK 33RJ 1/4 -CP
MAIN1-P.W.Board		R3508		06S55361Y29	RES,RK 33RJ 1/4 -CP
MAIN1-P.W.Board		R3509		06S55361Y29	RES,RK 33RJ 1/4 -CP
MAIN1-P.W.Board		R3600		06S55361Y70	RES,RK 162J 1/4 -CP
MAIN1-P.W.Board		R3601		06S55361Y70	RES,RK 162J 1/4 -CP
MAIN1-P.W.Board		R3602		06S55361Y70	RES,RK 162J 1/4 -CP
MAIN1-P.W.Board		R3603		06S55361Y70	RES,RK 162J 1/4 -CP
MAIN1-P.W.Board		R3604		06S55361Y70	RES,RK 162J 1/4 -CP
MAIN1-P.W.Board		R3605		06S55365Y98	RES,RK 243J 1/10 -CP
MAIN1-P.W.Board		R3606		06S55361Y89	RES,RK 103J 1/4 -CP
MAIN1-P.W.Board		R3613		06S55361Y89	RES,RK 103J 1/4 -CP
MAIN1-P.W.Board		R3614		06S55361Y89	RES,RK 103J 1/4 -CP
MAIN1-P.W.Board		R3615		06S55361Y89	RES,RK 103J 1/4 -CP
MAIN1-P.W.Board		R3617		06S55366Y01	RES,RK 303J 1/10 -CP
MAIN1-P.W.Board		R3618		06S55366Y01	RES,RK 303J 1/10 -CP
MAIN1-P.W.Board		R3619		06S55366Y06	RES,RK 473J 1/10 -CP
MAIN1-P.W.Board		R3620		06S45674W85	RES,RK 153J 1/10 -CP
MAIN1-P.W.Board		R3621		06S45674W85	RES,RK 153J 1/10 -CP
MAIN1-P.W.Board		R3700		06S15593Y78	RES,RK 163F 1/10 -CP
MAIN1-P.W.Board		R3701		06S15593Y63	RES,RK 392F 1/10 -CP
MAIN1-P.W.Board		R3702		06S15593Y63	RES,RK 392F 1/10 -CP

Model Code
IVA-W505

NOTE:The part that has not PART NUMBER will not be supplied.

P.W.Board	MIS	MODEL	Ref.	Parts No.	Parts Name
MAIN1-P.W.Board		R3704		06S55362Y01	RES,RK 303J 1/4 -CP
MAIN1-P.W.Board		R3705		06S15593Y59	RES,RK 272F 1/10 -CP
MAIN1-P.W.Board		R3706		06S55366Y05	RES,RK 433J 1/10 -CP
MAIN1-P.W.Board		R3707		06S55366Y06	RES,RK 473J 1/10 -CP
MAIN1-P.W.Board		R3709		06S15593Y40	RES,RK 431F 1/10 -CP
MAIN1-P.W.Board		SA3300		48-00954Z01	VST,CSA30C201M-T -CP
MAIN1-P.W.Board		SD2600		48T95572W01	DIO,SHT MA736-TX -E1
MAIN1-P.W.Board		SD2601		48T95572W01	DIO,SHT MA736-TX -E1
MAIN1-P.W.Board		SW2300		40T15452Y01	SW,SLIDE SLD-62-724X
MAIN1-P.W.Board		SW2301		40T45282W02	SW,SLIDE SLD-42-508X
MAIN1-P.W.Board		SW3430		40T15494Y15	SW,DETCT SPVG1107-E6
MAIN1-P.W.Board		SW3431		40T15494Y14	SW,DETCT SPVG2106-E6
MAIN1-P.W.Board		TU3300		TU-04070Z05	TUNER,TFTE2U113C
MAIN1-P.W.Board		VT3301		24T35286Y02	IND,MG56 332J -DB
MAIN1-P.W.Board		Z3300		91T65112W06	EMI,BK2125HM102 -CP
MAIN1-P.W.Board		ZD3200		48-11191Z09	DIO,ZEN MAZ8036GL-CP
MAIN1-P.W.Board		ZD3201		48-11191Z09	DIO,ZEN MAZ8036GL-CP
MAIN1-P.W.Board		ZD3500		48-02645Z28	DIO,ZEN MAZ80680L-CP
MAIN1-P.W.Board		ZD3600		48-02592Z01	DIO,ZEN Z5W27VJ -EA
MAIN2-P.W.Board		C5001		08S35374W01	CAP,CER 104K-B1E-CP
MAIN2-P.W.Board		C5002		08S35374W01	CAP,CER 104K-B1E-CP
MAIN2-P.W.Board		C5003		08S35374W01	CAP,CER 104K-B1E-CP
MAIN2-P.W.Board		C5005		08S35374W01	CAP,CER 104K-B1E-CP
MAIN2-P.W.Board		C5006		08S35374W01	CAP,CER 104K-B1E-CP
MAIN2-P.W.Board		C5007		08S45676W80	CAP,CER 223K-B1E -CP
MAIN2-P.W.Board		C5008		08S45676W80	CAP,CER 223K-B1E -CP
MAIN2-P.W.Board		C5009		08S35374W11	CAP,CER 475K-B0J -CP
MAIN2-P.W.Board		C5010		08S45677W21	CAP,CER 24RJ-CH1H-CP
MAIN2-P.W.Board		C5011		08S45677W21	CAP,CER 24RJ-CH1H-CP
MAIN2-P.W.Board		C5012		08S45676W80	CAP,CER 223K-B1E -CP
MAIN2-P.W.Board		C5013		08S45677W60	CAP,CER 102J-CH1H-CP
MAIN2-P.W.Board		C5016		08S45677W14	CAP,CER.12RJ-CH1H-CP
MAIN2-P.W.Board		C5017		08S45677W14	CAP,CER.12RJ-CH1H-CP
MAIN2-P.W.Board		C5018		08S45676W73	CAP,CER.103K-B1H -CP
MAIN2-P.W.Board		C5019		08S45676W73	CAP,CER.103K-B1H -CP
MAIN2-P.W.Board		C5500		08S45676W80	CAP,CER 223K-B1E -CP
MAIN2-P.W.Board		C5501		08S45676W80	CAP,CER 223K-B1E -CP
MAIN2-P.W.Board		C5502		08S45677W22	CAP,CER.27RJ-CH1H-CP
MAIN2-P.W.Board		C5503		08S45677W22	CAP,CER.27RJ-CH1H-CP
MAIN2-P.W.Board		C6000		08S60102F48	CAP,CER 105K-B1E -CP
MAIN2-P.W.Board		C6001		08S60102F48	CAP,CER 105K-B1E -CP
MAIN2-P.W.Board		C6002		08T81833F08	CAP,CER 475K-B1A -CP
MAIN2-P.W.Board		C6003		08T81833F08	CAP,CER 475K-B1A -CP
MAIN2-P.W.Board		C6004		08T81833F08	CAP,CER 475K-B1A -CP
MAIN2-P.W.Board		C6005		08T81833F08	CAP,CER 475K-B1A -CP
MAIN2-P.W.Board		C6006		08S45676W80	CAP,CER 223K-B1E -CP
MAIN2-P.W.Board		C6007		08S65674Y02	CAP,CER 105KX5R1A-CP

Model Code
IVA-W505

NOTE:The part that has not PART NUMBER will not be supplied.

P.W.Board	MIS	MODEL	Ref.	Parts No.	Parts Name
MAIN2-P.W.Board		C6008		08S65674Y05	CAP,CER 105KX5R1C-CP
MAIN2-P.W.Board		C6009		08S65674Y05	CAP,CER 105KX5R1C-CP
MAIN2-P.W.Board		C6010		08S65674Y05	CAP,CER 105KX5R1C-CP
MAIN2-P.W.Board		C6011		08S45676W85	CAP,CER 104K-B1C -CP
MAIN2-P.W.Board		C6012		08S35349Y16	CAP,CER 105K-B1A -CP
MAIN2-P.W.Board		C6013		08S60102F48	CAP,CER 105K-B1E -CP
MAIN2-P.W.Board		C6014		08S35374W12	CAP,CER 106K-B0J -CP
MAIN2-P.W.Board		C6015		08S65674Y05	CAP,CER 105KX5R1C-CP
MAIN2-P.W.Board		C6016		08T81833F08	CAP,CER 475K-B1A -CP
MAIN2-P.W.Board		C6017		08T81833F08	CAP,CER 475K-B1A -CP
MAIN2-P.W.Board		C6018		08S65674Y05	CAP,CER 105KX5R1C-CP
MAIN2-P.W.Board		C6019		08S45676W85	CAP,CER 104K-B1C -CP
MAIN2-P.W.Board		C6020		08S45676W85	CAP,CER 104K-B1C -CP
MAIN2-P.W.Board		C6021		08S45676W85	CAP,CER 104K-B1C -CP
MAIN2-P.W.Board		C6022		08S45676W80	CAP,CER 223K-B1E -CP
MAIN2-P.W.Board		C6023		08S45676W80	CAP,CER 223K-B1E -CP
MAIN2-P.W.Board		C6024		08S45676W80	CAP,CER 223K-B1E -CP
MAIN2-P.W.Board		C6025		08S45677W20	CAP,CER.22RJ-CH1H-CP
MAIN2-P.W.Board		C6026		08S45677W20	CAP,CER.22RJ-CH1H-CP
MAIN2-P.W.Board		C6027		08S45677W20	CAP,CER.22RJ-CH1H-CP
MAIN2-P.W.Board		C6028		08S45677W20	CAP,CER.22RJ-CH1H-CP
MAIN2-P.W.Board		C6029		08S65674Y05	CAP,CER 105KX5R1C-CP
MAIN2-P.W.Board		C6030		08S65674Y05	CAP,CER 105KX5R1C-CP
MAIN2-P.W.Board		C6031		08S65674Y05	CAP,CER 105KX5R1C-CP
MAIN2-P.W.Board		C6032		08S65674Y05	CAP,CER 105KX5R1C-CP
MAIN2-P.W.Board		C6033		08S65674Y05	CAP,CER 105KX5R1C-CP
MAIN2-P.W.Board		C6034		08S65674Y05	CAP,CER 105KX5R1C-CP
MAIN2-P.W.Board		C6035		08T81833F08	CAP,CER 475K-B1A -CP
MAIN2-P.W.Board		C6036		08T81833F08	CAP,CER 475K-B1A -CP
MAIN2-P.W.Board		C6037		08S60102F48	CAP,CER 105K-B1E -CP
MAIN2-P.W.Board		C6038		08S45677W60	CAP,CER 102J-CH1H-CP
MAIN2-P.W.Board		C6039		08S65669Y02	CAP,CER 474KX7R1E-CP
MAIN2-P.W.Board		C6040		08S45677W60	CAP,CER 102J-CH1H-CP
MAIN2-P.W.Board		C6041		08S45677W60	CAP,CER 102J-CH1H-CP
MAIN2-P.W.Board		C6042		08S45677W60	CAP,CER 102J-CH1H-CP
MAIN2-P.W.Board		C6043		08S45677W60	CAP,CER 102J-CH1H-CP
MAIN2-P.W.Board		C6044		08S45677W44	CAP,CER.221J-CH1H-CP
MAIN2-P.W.Board		C6500		08S45676W85	CAP,CER 104K-B1C -CP
MAIN2-P.W.Board		C6501		08S45676W73	CAP,CER.103K-B1H -CP
MAIN2-P.W.Board		C6502		08S45676W83	CAP,CER 473K-B1C -CP
MAIN2-P.W.Board		C6503		08S45676W80	CAP,CER 223K-B1E -CP
MAIN2-P.W.Board		C6504		08S65670Y01	CAP,CER 106KX5R1C-CP
MAIN2-P.W.Board		C6505		08S45676W85	CAP,CER 104K-B1C -CP
MAIN2-P.W.Board		C6506		08S65128F69	CAP,CER.103K-B1H -CP
MAIN2-P.W.Board		C6507		08S35374W07	CAP,CER 334K-B1C -CP
MAIN2-P.W.Board		C6508		08S65128F78	CAP,CER.223K-B1H -CP
MAIN2-P.W.Board		C6509		08S45676W85	CAP,CER 104K-B1C -CP

Model Code
IVA-W505

NOTE:The part that has not PART NUMBER will not be supplied.

P.W.Board	MIS	MODEL	Ref.	Parts No.	Parts Name
MAIN2-P.W.Board		C6510	08S45676W85	CAP,CER 104K-B1C -CP	
MAIN2-P.W.Board		C6511	08S45676W65	CAP,CER.222K-B1H -CP	
MAIN2-P.W.Board		C6512	08S45676W65	CAP,CER.222K-B1H -CP	
MAIN2-P.W.Board		C6513	08S45676W85	CAP,CER 104K-B1C -CP	
MAIN2-P.W.Board		C6514	08S45676W85	CAP,CER 104K-B1C -CP	
MAIN2-P.W.Board		C6515	08S45676W85	CAP,CER 104K-B1C -CP	
MAIN2-P.W.Board		C6516	08S35349Y16	CAP,CER 105K-B1A -CP	
MAIN2-P.W.Board		C6517	08S35349Y16	CAP,CER 105K-B1A -CP	
MAIN2-P.W.Board		C6518	08S45676W85	CAP,CER 104K-B1C -CP	
MAIN2-P.W.Board		C6520	08S45676W85	CAP,CER 104K-B1C -CP	
MAIN2-P.W.Board		C6522	08S45676W85	CAP,CER 104K-B1C -CP	
MAIN2-P.W.Board		C6523	08S45676W80	CAP,CER 223K-B1E -CP	
MAIN2-P.W.Board		C6525	08S65674Y05	CAP,CER 105KX5R1C-CP	
MAIN2-P.W.Board		C6526	08S45676W73	CAP,CER.103K-B1H -CP	
MAIN2-P.W.Board		C6527	08S45676W73	CAP,CER.103K-B1H -CP	
MAIN2-P.W.Board		C6528	08S45676W73	CAP,CER.103K-B1H -CP	
MAIN2-P.W.Board		C6529	08S45676W73	CAP,CER.103K-B1H -CP	
MAIN2-P.W.Board		C6530	08S45676W73	CAP,CER.103K-B1H -CP	
MAIN2-P.W.Board		C6531	08S35374W11	CAP,CER 475K-B0J -CP	
MAIN2-P.W.Board		C6532	08S45676W85	CAP,CER 104K-B1C -CP	
MAIN2-P.W.Board		C6533	08S45676W84	CAP,CER 683K-B1C -CP	
MAIN2-P.W.Board		C6534	08S45676W94	CAP,CER 563K-B1C -CP	
MAIN2-P.W.Board		C6535	08S35374W10	CAP,CER 225K-B1A -CP	
MAIN2-P.W.Board		C6536	08S35349Y21	CAP,CER 104K-B1H -CP	
MAIN2-P.W.Board		C6537	08S45676W73	CAP,CER.103K-B1H -CP	
MAIN2-P.W.Board		C6538	08S45677W60	CAP,CER 102J-CH1H-CP	
MAIN2-P.W.Board		C6539	08S45676W73	CAP,CER.103K-B1H -CP	
MAIN2-P.W.Board		C6540	08S45676W85	CAP,CER 104K-B1C -CP	
MAIN2-P.W.Board		C6541	08S65128F78	CAP,CER.223K-B1H -CP	
MAIN2-P.W.Board		C7004	08S45676W80	CAP,CER 223K-B1E -CP	
MAIN2-P.W.Board		C7005	08S45676W80	CAP,CER 223K-B1E -CP	
MAIN2-P.W.Board		C7006	08S45676W80	CAP,CER 223K-B1E -CP	
MAIN2-P.W.Board		C7007	08S45676W80	CAP,CER 223K-B1E -CP	
MAIN2-P.W.Board		C7031	08S45676W65	CAP,CER.222K-B1H -CP	
MAIN2-P.W.Board		C7100	08T81833F13	CAP,CER 106K-B1C -CP	
MAIN2-P.W.Board		C7101	08T81833F13	CAP,CER 106K-B1C -CP	
MAIN2-P.W.Board		C7102	08T81833F13	CAP,CER 106K-B1C -CP	
MAIN2-P.W.Board		C7103	08T81833F13	CAP,CER 106K-B1C -CP	
MAIN2-P.W.Board		C7104	08S45676W80	CAP,CER 223K-B1E -CP	
MAIN2-P.W.Board		C7105	08S45676W80	CAP,CER 223K-B1E -CP	
MAIN2-P.W.Board		C7106	08S45676W80	CAP,CER 223K-B1E -CP	
MAIN2-P.W.Board		C7107	08T65463Y01	CAP,CER 335K-B1A -CP	
MAIN2-P.W.Board		C7108	08T65463Y01	CAP,CER 335K-B1A -CP	
MAIN2-P.W.Board		C7109	08S45677W16	CAP,CER.15RJ-CH1H-CP	
MAIN2-P.W.Board		C7110	08S45677W16	CAP,CER.15RJ-CH1H-CP	
MAIN2-P.W.Board		C7111	08S45677W34	CAP,CER.82RJ-CH1H-CP	
MAIN2-P.W.Board		C7112	08S45677W34	CAP,CER.82RJ-CH1H-CP	



Model Code
IVA-W505

NOTE:The part that has not PART NUMBER will not be supplied.

P.W.Board	MIS	MODEL	Ref.	Parts No.	Parts Name
MAIN2-P.W.Board		C7113		08S45677W44	CAP,CER.221J-CH1H-CP
MAIN2-P.W.Board		C7114		08S45677W44	CAP,CER.221J-CH1H-CP
MAIN2-P.W.Board		C7115		08S45677W38	CAP,CER 121J-CH1H-CP
MAIN2-P.W.Board		C7116		08S45677W38	CAP,CER 121J-CH1H-CP
MAIN2-P.W.Board		C7117		08S45676W65	CAP,CER.222K-B1H -CP
MAIN2-P.W.Board		C7118		08T81833F12	CAP,CER 106K-B1A -CP
MAIN2-P.W.Board		C7119		08T81833F12	CAP,CER 106K-B1A -CP
MAIN2-P.W.Board		C7120		08T81833F12	CAP,CER 106K-B1A -CP
MAIN2-P.W.Board		C7121		08S35374W07	CAP,CER 334K-B1C -CP
MAIN2-P.W.Board		C7200		08S45677W60	CAP,CER 102J-CH1H-CP
MAIN2-P.W.Board		C7201		08S45677W60	CAP,CER 102J-CH1H-CP
MAIN2-P.W.Board		C7202		08S45677W60	CAP,CER 102J-CH1H-CP
MAIN2-P.W.Board		C7203		08S35350Y05	CAP,CER 105K-B1A -CP
MAIN2-P.W.Board		C7204		08S35350Y05	CAP,CER 105K-B1A -CP
MAIN2-P.W.Board		C7300		08S45676W85	CAP,CER 104K-B1C -CP
MAIN2-P.W.Board		C7301		08S45676W80	CAP,CER 223K-B1E -CP
MAIN2-P.W.Board		C7302		08S65670Y01	CAP,CER 106KX5R1C-CP
MAIN2-P.W.Board		C7303		08S65670Y01	CAP,CER 106KX5R1C-CP
MAIN2-P.W.Board		C7500		08S45676W80	CAP,CER 223K-B1E -CP
MAIN2-P.W.Board		C7501		08S45676W80	CAP,CER 223K-B1E -CP
MAIN2-P.W.Board		C7502		08S65670Y01	CAP,CER 106KX5R1C-CP
MAIN2-P.W.Board		C7503		08S45676W80	CAP,CER 223K-B1E -CP
MAIN2-P.W.Board		C7504		08S45676W85	CAP,CER 104K-B1C -CP
MAIN2-P.W.Board		C7505		08S45677W60	CAP,CER 102J-CH1H-CP
MAIN2-P.W.Board		C7506		08S45676W73	CAP,CER.103K-B1H -CP
MAIN2-P.W.Board		C7508		08S45676W85	CAP,CER 104K-B1C -CP
MAIN2-P.W.Board		C7509		08S65676Y03	CAP,CER 225KX7R1C-CP
MAIN2-P.W.Board		C7510		08S45676W65	CAP,CER.222K-B1H -CP
MAIN2-P.W.Board		C7511		08S45676W65	CAP,CER.222K-B1H -CP
MAIN2-P.W.Board		C7512		08S45676W91	CAP,CER 154K-B1A -CP
MAIN2-P.W.Board		C7513		08S35349Y17	CAP,CER 225K-B0J -CP
MAIN2-P.W.Board		C7514		08S45676W73	CAP,CER.103K-B1H -CP
MAIN2-P.W.Board		C7515		08S45677W49	CAP,CER 361J-CH1H-CP
MAIN2-P.W.Board		C7516		08S45677W52	CAP,CER 471J-CH1H-CP
MAIN2-P.W.Board		C7517		08S45677W52	CAP,CER 471J-CH1H-CP
MAIN2-P.W.Board		C7518		08S65670Y01	CAP,CER 106KX5R1C-CP
MAIN2-P.W.Board		C7519		08S45676W73	CAP,CER.103K-B1H -CP
MAIN2-P.W.Board		C7520		08S45677W10	CAP,CER 8R0D-CH1H-CP
MAIN2-P.W.Board		C7521		08S45677W10	CAP,CER 8R0D-CH1H-CP
MAIN2-P.W.Board		C7522		08S45676W85	CAP,CER 104K-B1C -CP
MAIN2-P.W.Board		C7523		08S45676W85	CAP,CER 104K-B1C -CP
MAIN2-P.W.Board		C7524		08S45676W85	CAP,CER 104K-B1C -CP
MAIN2-P.W.Board		C7525		08S45676W85	CAP,CER 104K-B1C -CP
MAIN2-P.W.Board		C7526		08S45676W85	CAP,CER 104K-B1C -CP
MAIN2-P.W.Board		C7527		08S45676W85	CAP,CER 104K-B1C -CP
MAIN2-P.W.Board		C7528		08S45676W85	CAP,CER 104K-B1C -CP
MAIN2-P.W.Board		C7529		08S45676W85	CAP,CER 104K-B1C -CP


Model Code
IVA-W505

NOTE:The part that has not PART NUMBER will not be supplied.

P.W.Board	MIS	MODEL	Ref.	Parts No.	Parts Name
MAIN2-P.W.Board		C7530		08S45676W85	CAP,CER 104K-B1C -CP
MAIN2-P.W.Board		C7531		08S45676W85	CAP,CER 104K-B1C -CP
MAIN2-P.W.Board		C7532		08S45676W85	CAP,CER 104K-B1C -CP
MAIN2-P.W.Board		C7533		08S45676W85	CAP,CER 104K-B1C -CP
MAIN2-P.W.Board		C7534		08S45676W85	CAP,CER 104K-B1C -CP
MAIN2-P.W.Board		C7535		08S45676W85	CAP,CER 104K-B1C -CP
MAIN2-P.W.Board		C7536		08S45676W85	CAP,CER 104K-B1C -CP
MAIN2-P.W.Board		C7537		08S45676W85	CAP,CER 104K-B1C -CP
MAIN2-P.W.Board		C7538		08S45676W85	CAP,CER 104K-B1C -CP
MAIN2-P.W.Board		C7539		08S45676W85	CAP,CER 104K-B1C -CP
MAIN2-P.W.Board		C7540		08S45676W85	CAP,CER 104K-B1C -CP
MAIN2-P.W.Board		C7541		08S45676W85	CAP,CER 104K-B1C -CP
MAIN2-P.W.Board		C7542		08S45676W85	CAP,CER 104K-B1C -CP
MAIN2-P.W.Board		C7543		08S45676W85	CAP,CER 104K-B1C -CP
MAIN2-P.W.Board		C7544		08S45676W85	CAP,CER 104K-B1C -CP
MAIN2-P.W.Board		C7545		08S45676W85	CAP,CER 104K-B1C -CP
MAIN2-P.W.Board		C7546		08S45676W85	CAP,CER 104K-B1C -CP
MAIN2-P.W.Board		C7547		08S45676W85	CAP,CER 104K-B1C -CP
MAIN2-P.W.Board		C7548		08S45676W85	CAP,CER 104K-B1C -CP
MAIN2-P.W.Board		C7549		08S45676W85	CAP,CER 104K-B1C -CP
MAIN2-P.W.Board		C7550		08S45676W85	CAP,CER 104K-B1C -CP
MAIN2-P.W.Board		C7551		08S65670Y03	CAP,CER 335KX5R1E-CP
MAIN2-P.W.Board		C7552		08S65670Y03	CAP,CER 335KX5R1E-CP
MAIN2-P.W.Board		C7553		08S45231Y14	CAP,CER 12RJ-CH1H-CP
MAIN2-P.W.Board		C7554		08S45231Y14	CAP,CER 12RJ-CH1H-CP
MAIN2-P.W.Board		C7555		08S45676W65	CAP,CER.222K-B1H -CP
MAIN2-P.W.Board		C7556		08S45676W85	CAP,CER 104K-B1C -CP
MAIN2-P.W.Board		C7557		08S45677W48	CAP,CER.331J-CH1H-CP
MAIN2-P.W.Board		C7558		08S45677W48	CAP,CER.331J-CH1H-CP
MAIN2-P.W.Board		C7559		08S45677W38	CAP,CER 121J-CH1H-CP
MAIN2-P.W.Board		C7560		08S45677W38	CAP,CER 121J-CH1H-CP
MAIN2-P.W.Board		C7561		08S45676W85	CAP,CER 104K-B1C -CP
MAIN2-P.W.Board		C7562		08S65670Y01	CAP,CER 106KX5R1C-CP
MAIN2-P.W.Board		C7563		08S65670Y01	CAP,CER 106KX5R1C-CP
MAIN2-P.W.Board		C7564		08S45676W85	CAP,CER 104K-B1C -CP
MAIN2-P.W.Board		C7565		08S45676W85	CAP,CER 104K-B1C -CP
MAIN2-P.W.Board		C7566		08S65670Y01	CAP,CER 106KX5R1C-CP
MAIN2-P.W.Board		CB5001		09T85454W07	WTB,53398-0790 -E9
MAIN2-P.W.Board		CB5601		09-07889Z02	FFC,FH28D-68S-0.5-EZ
MAIN2-P.W.Board		CB5602		09T45507Y28	FFC,IMSA9631S-28Y-ED
MAIN2-P.W.Board		CB5603		09T45442Y32	FFC,54104-3292 -EQ
MAIN2-P.W.Board		CB6000		09-07665Z03	WTB,S16B-PADSS-1 -DB
MAIN2-P.W.Board		CB7000		09T75225Y50	FFC,51374-5093 -ER
MAIN2-P.W.Board		CB7500		09-12732Z01	SKT,GT17H-4P-2H -EF
MAIN2-P.W.Board		CH5600		09-06537Z01	BTB,140401170W3 -EZ
MAIN2-P.W.Board		CH6500		09-09709Z01	BTB,125622320K3 -EK
MAIN2-P.W.Board		D5000		48T45701Y01	DIO,MA2S728-TX -CP

Model Code
IVA-W505

NOTE:The part that has not PART NUMBER will not be supplied.

P.W.Board	MIS	MODEL	Ref.	Parts No.	Parts Name
MAIN2-P.W.Board		D5001	48T45701Y01	DIO,MA2S728-TX -CP	
MAIN2-P.W.Board		D5500	48-06706Z01	DIO,MA2J111-TX -CP	
MAIN2-P.W.Board		D5501	48T25651W02	DIO,MA152WK-TX -CP	
MAIN2-P.W.Board		D6000	48T25651W01	DIO,MA152WA -CP	
MAIN2-P.W.Board		D6500	48T75527Y01	DIO,1SR154-400 -E1	
MAIN2-P.W.Board		D6501	48T75527Y01	DIO,1SR154-400 -E1	
MAIN2-P.W.Board		D7500	48T75527Y01	DIO,1SR154-400 -E1	
MAIN2-P.W.Board		D7501	48-07015Z01	DIO,KDS160-RTK -CP	
MAIN2-P.W.Board		D7503	48-07924Z01	VST,EZJZ1V800AA -CP	
MAIN2-P.W.Board		D7504	48-07924Z01	VST,EZJZ1V800AA -CP	
MAIN2-P.W.Board		D7505	48-07924Z01	VST,EZJZ1V800AA -CP	
MAIN2-P.W.Board		D7506	48-07924Z01	VST,EZJZ1V800AA -CP	
MAIN2-P.W.Board		D7507	48-07924Z01	VST,EZJZ1V800AA -CP	
MAIN2-P.W.Board		D7508	48-07924Z01	VST,EZJZ1V800AA -CP	
MAIN2-P.W.Board		DIN7300	09-11779Z01	DIN,CSK-M94T -DB	
MAIN2-P.W.Board		E5000	23S65134W15	CAP,ELY 331-0J(8)-E6	
MAIN2-P.W.Board		E5500	23S65134W32	CAP,ELY 22R-1C(5)-E3	
MAIN2-P.W.Board		E5600	23T65114Y23	CAP,FK 471-1C-F -EA	
MAIN2-P.W.Board		E6000	23S65134W32	CAP,ELY 22R-1C(5)-E3	
MAIN2-P.W.Board		E6002	23S65134W31	CAP,ELY 10R-1C(4)-E2	
MAIN2-P.W.Board		E6003	23S65134W31	CAP,ELY 10R-1C(4)-E2	
MAIN2-P.W.Board		E6004	23S65134W31	CAP,ELY 10R-1C(4)-E2	
MAIN2-P.W.Board		E6005	23S65134W31	CAP,ELY 10R-1C(4)-E2	
MAIN2-P.W.Board		E6006	23S65134W31	CAP,ELY 10R-1C(4)-E2	
MAIN2-P.W.Board		E6007	23S65134W31	CAP,ELY 10R-1C(4)-E2	
MAIN2-P.W.Board		E6008	23S65134W41	CAP,ELY 4R7-1E(3)-E2	
MAIN2-P.W.Board		E6009	23S65134W41	CAP,ELY 4R7-1E(3)-E2	
MAIN2-P.W.Board		E6010	23S65134W31	CAP,ELY 10R-1C(4)-E2	
MAIN2-P.W.Board		E6011	23S65134W31	CAP,ELY 10R-1C(4)-E2	
MAIN2-P.W.Board		E6012	23S65134W31	CAP,ELY 10R-1C(4)-E2	
MAIN2-P.W.Board		E6013	23S65134W32	CAP,ELY 22R-1C(5)-E3	
MAIN2-P.W.Board		E6014	23S65134W32	CAP,ELY 22R-1C(5)-E3	
MAIN2-P.W.Board		E6015	23S65134W32	CAP,ELY 22R-1C(5)-E3	
MAIN2-P.W.Board		E6016	23S65134W31	CAP,ELY 10R-1C(4)-E2	
MAIN2-P.W.Board		E6017	23S65134W53	CAP,ELY 4R7-1V(4)-E2	
MAIN2-P.W.Board		E6018	23T65114Y12	CAP,FK 221-1A-D8-E6	
MAIN2-P.W.Board		E6019	23T65114Y12	CAP,FK 221-1A-D8-E6	
MAIN2-P.W.Board		E6501	23T65114Y26	CAP,FK 22R-1E-C -E3	
MAIN2-P.W.Board		E6502	23T65114Y02	CAP,FK 221-1C-E -E6	
MAIN2-P.W.Board		E6503	23T65114Y23	CAP,FK 471-1C-F -EA	
MAIN2-P.W.Board		E6504	23S75244Y10	CAP,ELY 33R-1A -E2	
MAIN2-P.W.Board		E6505	23T65114Y21	CAP,FK 221-1C-D8-E6	
MAIN2-P.W.Board		E6507	23S75244Y17	CAP,ELY 22R-1C -E2	
MAIN2-P.W.Board		E6508	23T65114Y16	CAP,FK 102-1A-G -EA	
MAIN2-P.W.Board		E6511	23T65114Y03	CAP,FK 22R-0J-B -E2	
MAIN2-P.W.Board		E6512	23T65114Y09	CAP,FK 102-0J-F -EA	
MAIN2-P.W.Board		E7202	23S65134W31	CAP,ELY 10R-1C(4)-E2	

Model Code
IVA-W505

NOTE:The part that has not PART NUMBER will not be supplied.

P.W.Board	MIS	MODEL	Ref.	Parts No.	Parts Name
MAIN2-P.W.Board		E7500	23-02519Z15		CAP,FC 22R-1C-C -E3
MAIN2-P.W.Board		E7501	23T65114Y21		CAP,FK 221-1C-D8-E6
MAIN2-P.W.Board		E7502	23S65134W11		CAP,ELY 22R-0J(4)-E2
MAIN2-P.W.Board		E7503	23T65114Y21		CAP,FK 221-1C-D8-E6
MAIN2-P.W.Board		E7504	23T65114Y23		CAP,FK 471-1C-F -EA
MAIN2-P.W.Board		E7505	23S65134W32		CAP,ELY 22R-1C(5)-E3
MAIN2-P.W.Board		E7506	23S65134W31		CAP,ELY 10R-1C(4)-E2
MAIN2-P.W.Board		E7509	23S65134W31		CAP,ELY 10R-1C(4)-E2
MAIN2-P.W.Board		IC5001	53-12326Z75		OFL,V099ARAAL703A
MAIN2-P.W.Board		IC5002	51-07849Z01		TC7WH14FU-L -SE1
MAIN2-P.W.Board		IC5003	51T65778Y01		BR24L02F-W-E2 -SE2
MAIN2-P.W.Board		IC5500	51T15362Y01		TC74HCT7007AFTP2-SE6
MAIN2-P.W.Board		IC5501	51T55070W05		MB88385CPF-ER -SE9
MAIN2-P.W.Board		IC6000	51-03721Z01		NJM2505F-TE1 -CP
MAIN2-P.W.Board		IC6001	51-03721Z01		NJM2505F-TE1 -CP
MAIN2-P.W.Board		IC6002	51-04557Z01		CXA2089Q -QT
MAIN2-P.W.Board		IC6003	51T15567Y01		NJM2535V-TE2 -SE2
MAIN2-P.W.Board		IC6004	51T25576W07		NJM4580V-TE2 -SE2
MAIN2-P.W.Board		IC6005	51-03721Z01		NJM2505F-TE1 -CP
MAIN2-P.W.Board		IC6006	51-03721Z01		NJM2505F-TE1 -CP
MAIN2-P.W.Board		IC6500	51-04315Z22		BU4229G-TR -CP
MAIN2-P.W.Board		IC6501	51T25259Y03		BA00ASFP-E2 -NE5
MAIN2-P.W.Board		IC6502	51-02830Z01		BA7810HFP -NEA
MAIN2-P.W.Board		IC6503	51-05862Z03		NJM2845DL1-05-TE1NE5
MAIN2-P.W.Board		IC6504	51-04201Z01		PQ012GN01ZPH -NE5
MAIN2-P.W.Board		IC6505	51-04412Z01		L5960PD -SEU
MAIN2-P.W.Board		IC7100	51T25576W07		NJM4580V-TE2 -SE2
MAIN2-P.W.Board		IC7101	51-09404Z01		PCM1754DBQR -SE2
MAIN2-P.W.Board		IC7300	51T25183Y02		TC7SET08FU-EL -CP
MAIN2-P.W.Board		IC7500	51-05862Z01		NJM2845DL1-33-TE1NE5
MAIN2-P.W.Board		IC7501	51-02921Z01		BD9778HFP -NEA
MAIN2-P.W.Board		IC7502	51-12158Z01		S-1132B18-M5T1G -CP
MAIN2-P.W.Board		IC7503	51-09817Z01		V112_V1-00 -LE6
MAIN2-P.W.Board		IC7504	51-11433Z01		RT9702AGB -CP
MAIN2-P.W.Board		IC7505	51-04231Z01		WM8725GED/RV -SE5
MAIN2-P.W.Board		IC7506	51-11501Z01		HY57V641620FTP-HI-ST
MAIN2-P.W.Board		IC7507	53-13943Z38		OFL,V0.9980W505_EPF
MAIN2-P.W.Board		IC7508	51-06214Z01		S29AL008D70TFI010-ST
MAIN2-P.W.Board		IC7509	51T25576W07		NJM4580V-TE2 -SE2
MAIN2-P.W.Board		L5500	24-06212Z02		FBI,BLM15AG102SH1-CP
MAIN2-P.W.Board		L6000	24T95456W12		FBI,BLM18AG102SH1-CP
MAIN2-P.W.Board		L6001	24T95456W12		FBI,BLM18AG102SH1-CP
MAIN2-P.W.Board		L6002	24T95456W12		FBI,BLM18AG102SH1-CP
MAIN2-P.W.Board		L6500	24-05496Z03		IND,SLF12575-H68RMEA
MAIN2-P.W.Board		L6501	24-05496Z04		IND,SLF12575-H101MEA
MAIN2-P.W.Board		L7000	24T65689Y01		FBI,FBMJ2125HS420-CP
MAIN2-P.W.Board		L7001	24T65689Y01		FBI,FBMJ2125HS420-CP

Model Code
IVA-W505

NOTE:The part that has not PART NUMBER will not be supplied.

P.W.Board	MIS	MODEL	Ref.	Parts No.	Parts Name
MAIN2-P.W.Board		L7002		24T65689Y01	FBI,FBMJ2125HS420-CP
MAIN2-P.W.Board		L7003		24T65689Y01	FBI,FBMJ2125HS420-CP
MAIN2-P.W.Board		L7100		24T95456W27	FBI,BLM18PG181SH1-CP
MAIN2-P.W.Board		L7200		24T95456W12	FBI,BLM18AG102SH1-CP
MAIN2-P.W.Board		L7201		24T95456W12	FBI,BLM18AG102SH1-CP
MAIN2-P.W.Board		L7500		24-05496Z03	IND,SLF12575-H68RMEA
MAIN2-P.W.Board		L7501		24-05548Z10	IND,SLF7045-H22RM-E6
MAIN2-P.W.Board		L7502		24-06212Z02	FBI,BLM15AG102SH1-CP
MAIN2-P.W.Board		L7503		24T95456W27	FBI,BLM18PG181SH1-CP
MAIN2-P.W.Board		L7504		24T95456W27	FBI,BLM18PG181SH1-CP
MAIN2-P.W.Board		L7505		24T95456W27	FBI,BLM18PG181SH1-CP
MAIN2-P.W.Board		L7506		24-06212Z02	FBI,BLM15AG102SH1-CP
MAIN2-P.W.Board		LD6500		48-11416Z01	LED,BLU SSB-ULD -CP
MAIN2-P.W.Board		LD6501		48-11416Z01	LED,BLU SSB-ULD -CP
MAIN2-P.W.Board		Q5500		48T45594W16	TR,XN1A311-TX -CP
MAIN2-P.W.Board		Q5501		48T64221F11	TR,UN211L-TX -CP
MAIN2-P.W.Board		Q5502		48-09581Z03	TR,KTA1505S-Y-RTK-CP
MAIN2-P.W.Board		Q5503		48-07989Z02	TR,UNR5212J-TX -CP
MAIN2-P.W.Board		Q5601		48T64222F02	TR,UN2212 22-22-TXCP
MAIN2-P.W.Board		Q6000		48T52438F01	TR ,2SD601A-RS/TX-CP
MAIN2-P.W.Board		Q6001		48T52438F01	TR ,2SD601A-RS/TX-CP
MAIN2-P.W.Board		Q6002		48T25317Y01	TR,XN0F256-TX -CP
MAIN2-P.W.Board		Q6003		48T52437F01	TR ,2SB709A-QR/TX-CP
MAIN2-P.W.Board		Q6004		48T52438F01	TR ,2SD601A-RS/TX-CP
MAIN2-P.W.Board		Q6500		48T75180Y01	TR,IMH1A-T110 -CP
MAIN2-P.W.Board		Q6501		48-07989Z04	TR,UNR5214J-TX -CP
MAIN2-P.W.Board		Q6502		48-09581Z03	TR,KTA1505S-Y-RTK-CP
MAIN2-P.W.Board		Q6503		48T64222F11	TR,UN221F-TX -CP
MAIN2-P.W.Board		Q6504		48T45594W12	TR ,XN1A312 -TX-CP
MAIN2-P.W.Board		Q6507		48T65619Y01	FET,HN1K06FU-85L -CP
MAIN2-P.W.Board		Q7200		48T52437F01	TR ,2SB709A-QR/TX-CP
MAIN2-P.W.Board		Q7201		48T52437F01	TR ,2SB709A-QR/TX-CP
MAIN2-P.W.Board		Q7500		48-09581Z03	TR,KTA1505S-Y-RTK-CP
MAIN2-P.W.Board		Q7501		48-07989Z04	TR,UNR5214J-TX -CP
MAIN2-P.W.Board		Q7502		48T45594W08	TR ,XN1212 -TX-CP
MAIN2-P.W.Board		Q7503		48T25137Y02	TR,UN9212J-TX -CP
MAIN2-P.W.Board		Q7504		48T75031Y03	TR,2SB1440-S -E2
MAIN2-P.W.Board		Q7505		48-04929Z04	TR,KRC104S-RTK -CP
MAIN2-P.W.Board		Q7506		48T45594W16	TR,XN1A311-TX -CP
MAIN2-P.W.Board		Q7507		48T45594W12	TR ,XN1A312 -TX-CP
MAIN2-P.W.Board		R5001		06S55365Y41	RES,RK 101J 1/10 -CP
MAIN2-P.W.Board		R5002		06S55366Y06	RES,RK 473J 1/10 -CP
MAIN2-P.W.Board		R5003		06S55365Y97	RES,RK 223J 1/10 -CP
MAIN2-P.W.Board		R5004		06S55366Y06	RES,RK 473J 1/10 -CP
MAIN2-P.W.Board		R5011		06S45675W43	RES,RK JUMPER1/10-CP
MAIN2-P.W.Board		R5012		06S55365Y41	RES,RK 101J 1/10 -CP
MAIN2-P.W.Board		R5014		06S55365Y41	RES,RK 101J 1/10 -CP

Model Code
IVA-W505

NOTE:The part that has not PART NUMBER will not be supplied.

P.W.Board	MIS	MODEL	Ref.	Parts No.	Parts Name
MAIN2-P.W.Board		R5016		06S55365Y41	RES,RK 101J 1/10 -CP
MAIN2-P.W.Board		R5017		06S55365Y41	RES,RK 101J 1/10 -CP
MAIN2-P.W.Board		R5018		06S55365Y41	RES,RK 101J 1/10 -CP
MAIN2-P.W.Board		R5019		06S55365Y41	RES,RK 101J 1/10 -CP
MAIN2-P.W.Board		R5021		06S55365Y41	RES,RK 101J 1/10 -CP
MAIN2-P.W.Board		R5022		06S55365Y41	RES,RK 101J 1/10 -CP
MAIN2-P.W.Board		R5023		06S55365Y41	RES,RK 101J 1/10 -CP
MAIN2-P.W.Board		R5024		06S55365Y41	RES,RK 101J 1/10 -CP
MAIN2-P.W.Board		R5026		06S55365Y41	RES,RK 101J 1/10 -CP
MAIN2-P.W.Board		R5027		06S55365Y41	RES,RK 101J 1/10 -CP
MAIN2-P.W.Board		R5028		06S55365Y41	RES,RK 101J 1/10 -CP
MAIN2-P.W.Board		R5029		06S55365Y41	RES,RK 101J 1/10 -CP
MAIN2-P.W.Board		R5030		06S55365Y41	RES,RK 101J 1/10 -CP
MAIN2-P.W.Board		R5032		06S55365Y41	RES,RK 101J 1/10 -CP
MAIN2-P.W.Board		R5033		06S55365Y41	RES,RK 101J 1/10 -CP
MAIN2-P.W.Board		R5034		06S55365Y41	RES,RK 101J 1/10 -CP
MAIN2-P.W.Board		R5035		06S55365Y41	RES,RK 101J 1/10 -CP
MAIN2-P.W.Board		R5036		06S55365Y41	RES,RK 101J 1/10 -CP
MAIN2-P.W.Board		R5037		06S55365Y41	RES,RK 101J 1/10 -CP
MAIN2-P.W.Board		R5038		06S55365Y41	RES,RK 101J 1/10 -CP
MAIN2-P.W.Board		R5039		06S55366Y02	RES,RK 333J 1/10 -CP
MAIN2-P.W.Board		R5041		06S55365Y41	RES,RK 101J 1/10 -CP
MAIN2-P.W.Board		R5042		06S55365Y41	RES,RK 101J 1/10 -CP
MAIN2-P.W.Board		R5043		06S55365Y41	RES,RK 101J 1/10 -CP
MAIN2-P.W.Board		R5044		06S55365Y41	RES,RK 101J 1/10 -CP
MAIN2-P.W.Board		R5045		06S55365Y41	RES,RK 101J 1/10 -CP
MAIN2-P.W.Board		R5046		06S55365Y41	RES,RK 101J 1/10 -CP
MAIN2-P.W.Board		R5048		06S55365Y41	RES,RK 101J 1/10 -CP
MAIN2-P.W.Board		R5050		06S55365Y41	RES,RK 101J 1/10 -CP
MAIN2-P.W.Board		R5061		06S15593Y81	RES,RK 223F 1/10 -CP
MAIN2-P.W.Board		R5062		06S15593Y81	RES,RK 223F 1/10 -CP
MAIN2-P.W.Board		R5063		06S55365Y65	RES,RK 102J 1/10 -CP
MAIN2-P.W.Board		R5066		06S55365Y89	RES,RK 103J 1/10 -CP
MAIN2-P.W.Board		R5067		06S55365Y41	RES,RK 101J 1/10 -CP
MAIN2-P.W.Board		R5070		06S55365Y41	RES,RK 101J 1/10 -CP
MAIN2-P.W.Board		R5071		06S55365Y41	RES,RK 101J 1/10 -CP
MAIN2-P.W.Board		R5072		06S55365Y41	RES,RK 101J 1/10 -CP
MAIN2-P.W.Board		R5073		06S55365Y41	RES,RK 101J 1/10 -CP
MAIN2-P.W.Board		R5076		06S15593Y77	RES,RK 153F 1/10 -CP
MAIN2-P.W.Board		R5077		06S45675W43	RES,RK JUMPER1/10-CP
MAIN2-P.W.Board		R5078		06S55365Y65	RES,RK 102J 1/10 -CP
MAIN2-P.W.Board		R5079		06S55365Y41	RES,RK 101J 1/10 -CP
MAIN2-P.W.Board		R5080		06S55365Y82	RES,RK 512J 1/10 -CP
MAIN2-P.W.Board		R5081		06S55365Y82	RES,RK 512J 1/10 -CP
MAIN2-P.W.Board		R5087		06S55365Y41	RES,RK 101J 1/10 -CP
MAIN2-P.W.Board		R5094		06S45675W43	RES,RK JUMPER1/10-CP
MAIN2-P.W.Board		R5097		06S55365Y41	RES,RK 101J 1/10 -CP

Model Code
IVA-W505

NOTE:The part that has not PART NUMBER will not be supplied.

P.W.Board	MIS	MODEL	Ref.	Parts No.	Parts Name
MAIN2-P.W.Board		R5099		06S45675W43	RES,RK JUMPER1/10-CP
MAIN2-P.W.Board		R5101		06S55365Y83	RES,RK 562J 1/10 -CP
MAIN2-P.W.Board		R5102		06S55365Y83	RES,RK 562J 1/10 -CP
MAIN2-P.W.Board		R5103		06S55365Y65	RES,RK 102J 1/10 -CP
MAIN2-P.W.Board		R5109		06S55365Y41	RES,RK 101J 1/10 -CP
MAIN2-P.W.Board		R5112		06S55365Y41	RES,RK 101J 1/10 -CP
MAIN2-P.W.Board		R5113		06S55365Y41	RES,RK 101J 1/10 -CP
MAIN2-P.W.Board		R5116		06S15593Y81	RES,RK 223F 1/10 -CP
MAIN2-P.W.Board		R5117		06S55365Y41	RES,RK 101J 1/10 -CP
MAIN2-P.W.Board		R5119		06S55365Y97	RES,RK 223J 1/10 -CP
MAIN2-P.W.Board		R5120		06S15593Y81	RES,RK 223F 1/10 -CP
MAIN2-P.W.Board		R5121		06S45674W81	RES,RK 103J 1/10 -CP
MAIN2-P.W.Board		R5122		06S45674W81	RES,RK 103J 1/10 -CP
MAIN2-P.W.Board		R5123		06S55366Y06	RES,RK 473J 1/10 -CP
MAIN2-P.W.Board		R5124		06S55366Y06	RES,RK 473J 1/10 -CP
MAIN2-P.W.Board		R5125		06S55365Y41	RES,RK 101J 1/10 -CP
MAIN2-P.W.Board		R5127		06S15593Y81	RES,RK 223F 1/10 -CP
MAIN2-P.W.Board		R5128		06S15593Y81	RES,RK 223F 1/10 -CP
MAIN2-P.W.Board		R5129		06S15593Y81	RES,RK 223F 1/10 -CP
MAIN2-P.W.Board		R5130		06S15594Y22	RES,RK 105F 1/10 -CP
MAIN2-P.W.Board		R5131		06S15593Y81	RES,RK 223F 1/10 -CP
MAIN2-P.W.Board		R5132		06S15594Y04	RES,RK 184F 1/10 -CP
MAIN2-P.W.Board		R5134		06S15593Y49	RES,RK 102F 1/10 -CP
MAIN2-P.W.Board		R5135		06S15593Y96	RES,RK 913F 1/10 -CP
MAIN2-P.W.Board		R5136		06S55362Y39	RES,RK JUMPER 1/4-CP
MAIN2-P.W.Board		R5137		06S55366Y39	RES,RK JUMPER1/10-CP
MAIN2-P.W.Board		R5142		06S15593Y81	RES,RK 223F 1/10 -CP
MAIN2-P.W.Board		R5500		06S55365Y85	RES,RK 682J 1/10 -CP
MAIN2-P.W.Board		R5501		06S55365Y81	RES,RK 472J 1/10 -CP
MAIN2-P.W.Board		R5502		06S55365Y81	RES,RK 472J 1/10 -CP
MAIN2-P.W.Board		R5503		06S55366Y06	RES,RK 473J 1/10 -CP
MAIN2-P.W.Board		R5504		06S55366Y06	RES,RK 473J 1/10 -CP
MAIN2-P.W.Board		R5505		06S55361Y17	RES,RK 10RJ 1/4 -CP
MAIN2-P.W.Board		R5506		06S55361Y17	RES,RK 10RJ 1/4 -CP
MAIN2-P.W.Board		R5507		06S55361Y46	RES,RK 161J 1/4 -CP
MAIN2-P.W.Board		R5508		06S55361Y46	RES,RK 161J 1/4 -CP
MAIN2-P.W.Board		R5509		06S55361Y46	RES,RK 161J 1/4 -CP
MAIN2-P.W.Board		R5510		06S55361Y46	RES,RK 161J 1/4 -CP
MAIN2-P.W.Board		R5511		06S55365Y69	RES,RK 152J 1/10 -CP
MAIN2-P.W.Board		R5512		06S55365Y69	RES,RK 152J 1/10 -CP
MAIN2-P.W.Board		R5513		06S55365Y73	RES,RK 222J 1/10 -CP
MAIN2-P.W.Board		R5514		06S55365Y73	RES,RK 222J 1/10 -CP
MAIN2-P.W.Board		R5515		06S55365Y81	RES,RK 472J 1/10 -CP
MAIN2-P.W.Board		R5516		06S55365Y81	RES,RK 472J 1/10 -CP
MAIN2-P.W.Board		R5517		06S55365Y81	RES,RK 472J 1/10 -CP
MAIN2-P.W.Board		R5518		06S55365Y81	RES,RK 472J 1/10 -CP
MAIN2-P.W.Board		R5519		06S55365Y73	RES,RK 222J 1/10 -CP

Model Code
IVA-W505

NOTE:The part that has not PART NUMBER will not be supplied.

P.W.Board	MIS	MODEL	Ref.	Parts No.	Parts Name
MAIN2-P.W.Board		R5520		06S55366Y06	RES,RK 473J 1/10 -CP
MAIN2-P.W.Board		R5521		06S55362Y39	RES,RK JUMPER 1/4-CP
MAIN2-P.W.Board		R5522		06S55365Y97	RES,RK 223J 1/10 -CP
MAIN2-P.W.Board		R5600		06S55365Y41	RES,RK 101J 1/10 -CP
MAIN2-P.W.Board		R6000		06S55361Y31	RES,RK 39RJ 1/4 -CP
MAIN2-P.W.Board		R6001		06S55361Y31	RES,RK 39RJ 1/4 -CP
MAIN2-P.W.Board		R6002		06S55361Y41	RES,RK 101J 1/4 -CP
MAIN2-P.W.Board		R6003		06S55361Y41	RES,RK 101J 1/4 -CP
MAIN2-P.W.Board		R6004		06S55361Y41	RES,RK 101J 1/4 -CP
MAIN2-P.W.Board		R6005		06S55361Y41	RES,RK 101J 1/4 -CP
MAIN2-P.W.Board		R6006		06S55361Y30	RES,RK 36RJ 1/4 -CP
MAIN2-P.W.Board		R6007		06S55361Y30	RES,RK 36RJ 1/4 -CP
MAIN2-P.W.Board		R6008		06S55365Y41	RES,RK 101J 1/10 -CP
MAIN2-P.W.Board		R6009		06S55365Y41	RES,RK 101J 1/10 -CP
MAIN2-P.W.Board		R6010		06S55366Y39	RES,RK JUMPER1/10-CP
MAIN2-P.W.Board		R6011		06S55366Y39	RES,RK JUMPER1/10-CP
MAIN2-P.W.Board		R6012		06S55361Y41	RES,RK 101J 1/4 -CP
MAIN2-P.W.Board		R6013		06S55361Y30	RES,RK 36RJ 1/4 -CP
MAIN2-P.W.Board		R6014		06S55361Y31	RES,RK 39RJ 1/4 -CP
MAIN2-P.W.Board		R6015		06S55361Y41	RES,RK 101J 1/4 -CP
MAIN2-P.W.Board		R6016		06S55365Y65	RES,RK 102J 1/10 -CP
MAIN2-P.W.Board		R6017		06S15593Y25	RES,RK 101F 1/10 -CP
MAIN2-P.W.Board		R6018		06S15593Y25	RES,RK 101F 1/10 -CP
MAIN2-P.W.Board		R6019		06S55365Y65	RES,RK 102J 1/10 -CP
MAIN2-P.W.Board		R6020		06S55365Y65	RES,RK 102J 1/10 -CP
MAIN2-P.W.Board		R6025		06S55365Y85	RES,RK 682J 1/10 -CP
MAIN2-P.W.Board		R6026		06S55365Y85	RES,RK 682J 1/10 -CP
MAIN2-P.W.Board		R6027		06S55365Y41	RES,RK 101J 1/10 -CP
MAIN2-P.W.Board		R6028		06S55365Y41	RES,RK 101J 1/10 -CP
MAIN2-P.W.Board		R6029		06S55365Y41	RES,RK 101J 1/10 -CP
MAIN2-P.W.Board		R6030		06S55361Y41	RES,RK 101J 1/4 -CP
MAIN2-P.W.Board		R6031		06S55361Y41	RES,RK 101J 1/4 -CP
MAIN2-P.W.Board		R6032		06S55363Y47	RES,RK 181J 1/8 -CP
MAIN2-P.W.Board		R6033		06S55363Y47	RES,RK 181J 1/8 -CP
MAIN2-P.W.Board		R6034		06S55361Y41	RES,RK 101J 1/4 -CP
MAIN2-P.W.Board		R6035		06S55361Y41	RES,RK 101J 1/4 -CP
MAIN2-P.W.Board		R6036		06S15593Y81	RES,RK 223F 1/10 -CP
MAIN2-P.W.Board		R6037		06S15593Y81	RES,RK 223F 1/10 -CP
MAIN2-P.W.Board		R6038		06S15593Y81	RES,RK 223F 1/10 -CP
MAIN2-P.W.Board		R6039		06S15593Y81	RES,RK 223F 1/10 -CP
MAIN2-P.W.Board		R6040		06S15593Y81	RES,RK 223F 1/10 -CP
MAIN2-P.W.Board		R6041		06S15593Y81	RES,RK 223F 1/10 -CP
MAIN2-P.W.Board		R6042		06S15593Y81	RES,RK 223F 1/10 -CP
MAIN2-P.W.Board		R6043		06S15593Y81	RES,RK 223F 1/10 -CP
MAIN2-P.W.Board		R6044		06S55361Y53	RES,RK 331J 1/4 -CP
MAIN2-P.W.Board		R6045		06S55366Y05	RES,RK 433J 1/10 -CP
MAIN2-P.W.Board		R6046		06S55366Y05	RES,RK 433J 1/10 -CP

Model Code
IVA-W505

NOTE:The part that has not PART NUMBER will not be supplied.

P.W.Board	MIS	MODEL	Ref.	Parts No.	Parts Name
MAIN2-P.W.Board		R6047		06S55366Y38	RES,RK 105J 1/10 -CP
MAIN2-P.W.Board		R6048		06S55366Y38	RES,RK 105J 1/10 -CP
MAIN2-P.W.Board		R6049		06S55366Y38	RES,RK 105J 1/10 -CP
MAIN2-P.W.Board		R6050		06S55361Y30	RES,RK 36RJ 1/4 -CP
MAIN2-P.W.Board		R6051		06S55361Y31	RES,RK 39RJ 1/4 -CP
MAIN2-P.W.Board		R6052		06S55361Y37	RES,RK 68RJ 1/4 -CP
MAIN2-P.W.Board		R6053		06S55365Y43	RES,RK 121J 1/10 -CP
MAIN2-P.W.Board		R6054		06S55365Y43	RES,RK 121J 1/10 -CP
MAIN2-P.W.Board		R6055		06S55365Y43	RES,RK 121J 1/10 -CP
MAIN2-P.W.Board		R6066		06S55365Y43	RES,RK 121J 1/10 -CP
MAIN2-P.W.Board		R6500		06S15593Y89	RES,RK 473F 1/10 -CP
MAIN2-P.W.Board		R6502		06S15593Y33	RES,RK 221F 1/10 -CP
MAIN2-P.W.Board		R6503		06S15593Y81	RES,RK 223F 1/10 -CP
MAIN2-P.W.Board		R6504		06S15593Y77	RES,RK 153F 1/10 -CP
MAIN2-P.W.Board		R6505		06S55366Y39	RES,RK JUMPER1/10-CP
MAIN2-P.W.Board		R6506		06S55366Y39	RES,RK JUMPER1/10-CP
MAIN2-P.W.Board		R6507		06S55361Y65	RES,RK 102J 1/4 -CP
MAIN2-P.W.Board		R6508		06S15593Y41	RES,RK 471F 1/10 -CP
MAIN2-P.W.Board		R6509		06S55365Y98	RES,RK 243J 1/10 -CP
MAIN2-P.W.Board		R6510		06S55365Y63	RES,RK 821J 1/10 -CP
MAIN2-P.W.Board		R6513		06S55366Y06	RES,RK 473J 1/10 -CP
MAIN2-P.W.Board		R6514		06S15593Y29	RES,RK 151F 1/10 -CP
MAIN2-P.W.Board		R6515		06S15593Y27	RES,RK 121F 1/10 -CP
MAIN2-P.W.Board		R6516		06S15593Y80	RES,RK 203F 1/10 -CP
MAIN2-P.W.Board		R6517		06S15593Y80	RES,RK 203F 1/10 -CP
MAIN2-P.W.Board		R6518		06S15593Y69	RES,RK 682F 1/10 -CP
MAIN2-P.W.Board		R6519		06S15593Y92	RES,RK 623F 1/10 -CP
MAIN2-P.W.Board		R6520		06S15593Y34	RES,RK 241F 1/10 -CP
MAIN2-P.W.Board		R6521		06S15593Y57	RES,RK 222F 1/10 -CP
MAIN2-P.W.Board		R6522		06S55366Y07	RES,RK 513J 1/10 -CP
MAIN2-P.W.Board		R6523		06S55361Y52	RES,RK 301J 1/4 -CP
MAIN2-P.W.Board		R6524		06S45674W33	RES,RK 101J 1/10 -CP
MAIN2-P.W.Board		R6525		06S45674W33	RES,RK 101J 1/10 -CP
MAIN2-P.W.Board		R6526		06S15593Y87	RES,RK 393F 1/10 -CP
MAIN2-P.W.Board		R6527		06S15593Y65	RES,RK 472F 1/10 -CP
MAIN2-P.W.Board		R6528		06S15593Y65	RES,RK 472F 1/10 -CP
MAIN2-P.W.Board		R6530		06S15594Y06	RES,RK 224F 1/10 -CP
MAIN2-P.W.Board		R6531		06S15593Y70	RES,RK 752F 1/10 -CP
MAIN2-P.W.Board		R6532		06S45674W09	RES,RK 10RJ 1/10 -CP
MAIN2-P.W.Board		R6533		06S45674W09	RES,RK 10RJ 1/10 -CP
MAIN2-P.W.Board		R6535		06S15593Y95	RES,RK 823F 1/10 -CP
MAIN2-P.W.Board		R6536		06S15593Y66	RES,RK 512F 1/10 -CP
MAIN2-P.W.Board		R6537		06S55366Y06	RES,RK 473J 1/10 -CP
MAIN2-P.W.Board		R6538		06S15593Y46	RES,RK 751F 1/10 -CP
MAIN2-P.W.Board		R6539		06S45348Y31	RES,RK 224F 1/4 -CP
MAIN2-P.W.Board		R6540		06S15593Y52	RES,RK 132F 1/10 -CP
MAIN2-P.W.Board		R6545		06S15593Y89	RES,RK 473F 1/10 -CP

Model Code
IVA-W505

NOTE:The part that has not PART NUMBER will not be supplied.

P.W.Board	MIS	MODEL	Ref.	Parts No.	Parts Name
MAIN2-P.W.Board		R6546		06S15593Y89	RES,RK 473F 1/10 -CP
MAIN2-P.W.Board		R6548		06S15593Y87	RES,RK 393F 1/10 -CP
MAIN2-P.W.Board		R6549		06S15593Y73	RES,RK 103F 1/10 -CP
MAIN2-P.W.Board		R6550		06S15593Y47	RES,RK 821F 1/10 -CP
MAIN2-P.W.Board		R6551		06S15593Y47	RES,RK 821F 1/10 -CP
MAIN2-P.W.Board		R6552		06S15593Y49	RES,RK 102F 1/10 -CP
MAIN2-P.W.Board		R6553		06S15593Y49	RES,RK 102F 1/10 -CP
MAIN2-P.W.Board		R6554		06S15593Y89	RES,RK 473F 1/10 -CP
MAIN2-P.W.Board		R6555		06S15593Y95	RES,RK 823F 1/10 -CP
MAIN2-P.W.Board		R6556		06S15593Y95	RES,RK 823F 1/10 -CP
MAIN2-P.W.Board		R6557		06S55361Y01	RES,RK 2R2J 1/4 -CP
MAIN2-P.W.Board		R6558		06S55361Y01	RES,RK 2R2J 1/4 -CP
MAIN2-P.W.Board		R6559		06S55361Y01	RES,RK 2R2J 1/4 -CP
MAIN2-P.W.Board		R6560		06S55361Y01	RES,RK 2R2J 1/4 -CP
MAIN2-P.W.Board		R7000		06S15593Y13	RES,RK 33RF 1/10 -CP
MAIN2-P.W.Board		R7001		06S15593Y13	RES,RK 33RF 1/10 -CP
MAIN2-P.W.Board		R7002		06S15593Y13	RES,RK 33RF 1/10 -CP
MAIN2-P.W.Board		R7003		06S35083Y11	RES,RK 68RF 1/4 -CP
MAIN2-P.W.Board		R7004		06S15593Y13	RES,RK 33RF 1/10 -CP
MAIN2-P.W.Board		R7005		06S15593Y13	RES,RK 33RF 1/10 -CP
MAIN2-P.W.Board		R7006		06S15593Y25	RES,RK 101F 1/10 -CP
MAIN2-P.W.Board		R7007		06S15593Y13	RES,RK 33RF 1/10 -CP
MAIN2-P.W.Board		R7008		06S15593Y13	RES,RK 33RF 1/10 -CP
MAIN2-P.W.Board		R7009		06S15593Y13	RES,RK 33RF 1/10 -CP
MAIN2-P.W.Board		R7010		06S15593Y13	RES,RK 33RF 1/10 -CP
MAIN2-P.W.Board		R7011		06S15593Y25	RES,RK 101F 1/10 -CP
MAIN2-P.W.Board		R7014		06S15593Y13	RES,RK 33RF 1/10 -CP
MAIN2-P.W.Board		R7015		06S15593Y13	RES,RK 33RF 1/10 -CP
MAIN2-P.W.Board		R7100		06S15593Y71	RES,RK 822F 1/10 -CP
MAIN2-P.W.Board		R7101		06S15593Y71	RES,RK 822F 1/10 -CP
MAIN2-P.W.Board		R7102		06S15593Y69	RES,RK 682F 1/10 -CP
MAIN2-P.W.Board		R7103		06S15593Y69	RES,RK 682F 1/10 -CP
MAIN2-P.W.Board		R7104		06S15593Y69	RES,RK 682F 1/10 -CP
MAIN2-P.W.Board		R7105		06S15593Y69	RES,RK 682F 1/10 -CP
MAIN2-P.W.Board		R7106		06S15593Y69	RES,RK 682F 1/10 -CP
MAIN2-P.W.Board		R7107		06S15593Y69	RES,RK 682F 1/10 -CP
MAIN2-P.W.Board		R7108		06S15593Y53	RES,RK 152F 1/10 -CP
MAIN2-P.W.Board		R7109		06S15593Y53	RES,RK 152F 1/10 -CP
MAIN2-P.W.Board		R7110		06S15593Y81	RES,RK 223F 1/10 -CP
MAIN2-P.W.Board		R7111		06S15593Y81	RES,RK 223F 1/10 -CP
MAIN2-P.W.Board		R7112		06S15593Y81	RES,RK 223F 1/10 -CP
MAIN2-P.W.Board		R7113		06S15593Y81	RES,RK 223F 1/10 -CP
MAIN2-P.W.Board		R7114		06S55366Y39	RES,RK JUMPER1/10-CP
MAIN2-P.W.Board		R7115		06S55366Y39	RES,RK JUMPER1/10-CP
MAIN2-P.W.Board		R7116		06S15593Y72	RES,RK 912F 1/10 -CP
MAIN2-P.W.Board		R7117		06S15593Y72	RES,RK 912F 1/10 -CP
MAIN2-P.W.Board		R7118		06S55366Y39	RES,RK JUMPER1/10-CP

Model Code
IVA-W505

NOTE:The part that has not PART NUMBER will not be supplied.

P.W.Board	MIS	MODEL	Ref.	Parts No.	Parts Name
MAIN2-P.W.Board		R7119		06S55366Y39	RES,RK JUMPER1/10-CP
MAIN2-P.W.Board		R7121		06S55365Y97	RES,RK 223J 1/10 -CP
MAIN2-P.W.Board		R7200		06S15593Y37	RES,RK 331F 1/10 -CP
MAIN2-P.W.Board		R7201		06S15593Y37	RES,RK 331F 1/10 -CP
MAIN2-P.W.Board		R7202		06S15593Y09	RES,RK 22RF 1/10 -CP
MAIN2-P.W.Board		R7203		06S15593Y09	RES,RK 22RF 1/10 -CP
MAIN2-P.W.Board		R7204		06S55366Y39	RES,RK JUMPER1/10-CP
MAIN2-P.W.Board		R7205		06S55366Y39	RES,RK JUMPER1/10-CP
MAIN2-P.W.Board		R7206		06S15593Y37	RES,RK 331F 1/10 -CP
MAIN2-P.W.Board		R7207		06S15593Y37	RES,RK 331F 1/10 -CP
MAIN2-P.W.Board		R7300		06S55361Y29	RES,RK 33RJ 1/4 -CP
MAIN2-P.W.Board		R7301		06S55366Y31	RES,RK 514J 1/10 -CP
MAIN2-P.W.Board		R7302		06S55365Y41	RES,RK 101J 1/10 -CP
MAIN2-P.W.Board		R7305		06S55361Y65	RES,RK 102J 1/4 -CP
MAIN2-P.W.Board		R7502		06S15615Y47	RES,RK 821J 1/16 -CP
MAIN2-P.W.Board		R7503		06S55365Y98	RES,RK 243J 1/10 -CP
MAIN2-P.W.Board		R7504		06S15615Y25	RES,RK 101J 1/16 -CP
MAIN2-P.W.Board		R7505		06S55365Y97	RES,RK 223J 1/10 -CP
MAIN2-P.W.Board		R7506		06S55365Y97	RES,RK 223J 1/10 -CP
MAIN2-P.W.Board		R7507		06S55365Y97	RES,RK 223J 1/10 -CP
MAIN2-P.W.Board		R7508		06S45674W89	RES,RK 223J 1/10 -CP
MAIN2-P.W.Board		R7509		06S15593Y73	RES,RK 103F 1/10 -CP
MAIN2-P.W.Board		R7510		06S15594Y06	RES,RK 224F 1/10 -CP
MAIN2-P.W.Board		R7511		06S45674W09	RES,RK 10RJ 1/10 -CP
MAIN2-P.W.Board		R7512		06S15615Y01	RES,RK 10RJ 1/16 -CP
MAIN2-P.W.Board		R7513		06S15593Y50	RES,RK 112F 1/10 -CP
MAIN2-P.W.Board		R7514		06S15594Y14	RES,RK 474F 1/10 -CP
MAIN2-P.W.Board		R7515		06S55361Y85	RES,RK 682J 1/4 -CP
MAIN2-P.W.Board		R7516		06S15593Y99	RES,RK 124F 1/10 -CP
MAIN2-P.W.Board		R7517		06S15593Y47	RES,RK 821F 1/10 -CP
MAIN2-P.W.Board		R7518		06S15594Y03	RES,RK 164F 1/10 -CP
MAIN2-P.W.Board		R7519		06S15593Y59	RES,RK 272F 1/10 -CP
MAIN2-P.W.Board		R7521		06S15615Y25	RES,RK 101J 1/16 -CP
MAIN2-P.W.Board		R7522		06S15615Y13	RES,RK 33RJ 1/16 -CP
MAIN2-P.W.Board		R7523		06S15615Y13	RES,RK 33RJ 1/16 -CP
MAIN2-P.W.Board		R7524		06S15615Y13	RES,RK 33RJ 1/16 -CP
MAIN2-P.W.Board		R7525		06S15615Y13	RES,RK 33RJ 1/16 -CP
MAIN2-P.W.Board		R7526		06S15615Y13	RES,RK 33RJ 1/16 -CP
MAIN2-P.W.Board		R7527		06S15615Y13	RES,RK 33RJ 1/16 -CP
MAIN2-P.W.Board		R7528		06S15615Y13	RES,RK 33RJ 1/16 -CP
MAIN2-P.W.Board		R7529		06S15615Y13	RES,RK 33RJ 1/16 -CP
MAIN2-P.W.Board		R7530		06S15615Y13	RES,RK 33RJ 1/16 -CP
MAIN2-P.W.Board		R7531		06S15615Y13	RES,RK 33RJ 1/16 -CP
MAIN2-P.W.Board		R7532		06S15615Y13	RES,RK 33RJ 1/16 -CP
MAIN2-P.W.Board		R7533		06S15615Y13	RES,RK 33RJ 1/16 -CP
MAIN2-P.W.Board		R7534		06S15615Y13	RES,RK 33RJ 1/16 -CP
MAIN2-P.W.Board		R7535		06S15615Y13	RES,RK 33RJ 1/16 -CP

Model Code
IVA-W505

NOTE:The part that has not PART NUMBER will not be supplied.

P.W.Board	MIS	MODEL	Ref.	Parts No.	Parts Name
MAIN2-P.W.Board		R7536		06S15615Y13	RES,RK 33RJ 1/16 -CP
MAIN2-P.W.Board		R7537		06S15615Y13	RES,RK 33RJ 1/16 -CP
MAIN2-P.W.Board		R7538		06S45674W81	RES,RK 103J 1/10 -CP
MAIN2-P.W.Board		R7539		06S15615Y25	RES,RK 101J 1/16 -CP
MAIN2-P.W.Board		R7540		06S15615Y25	RES,RK 101J 1/16 -CP
MAIN2-P.W.Board		R7541		06S15615Y25	RES,RK 101J 1/16 -CP
MAIN2-P.W.Board		R7542		06S15615Y25	RES,RK 101J 1/16 -CP
MAIN2-P.W.Board		R7543		06S15593Y72	RES,RK 912F 1/10 -CP
MAIN2-P.W.Board		R7544		06S45674W80	RES,RK 912J 1/10 -CP
MAIN2-P.W.Board		R7545		06S15593Y73	RES,RK 103F 1/10 -CP
MAIN2-P.W.Board		R7546		06S15593Y57	RES,RK 222F 1/10 -CP
MAIN2-P.W.Board		R7547		06S15593Y57	RES,RK 222F 1/10 -CP
MAIN2-P.W.Board		R7548		06S55365Y66	RES,RK 112J 1/10 -CP
MAIN2-P.W.Board		R7549		06S55365Y66	RES,RK 112J 1/10 -CP
MAIN2-P.W.Board		R7550		06S45674W25	RES,RK 47RJ 1/10 -CP
MAIN2-P.W.Board		R7551		06S45674W25	RES,RK 47RJ 1/10 -CP
MAIN2-P.W.Board		R7554		06S15593Y73	RES,RK 103F 1/10 -CP
MAIN2-P.W.Board		R7555		06S15615Y65	RES,RK 472J 1/16 -CP
MAIN2-P.W.Board		R7556		06S15615Y65	RES,RK 472J 1/16 -CP
MAIN2-P.W.Board		R7557		06S15615Y65	RES,RK 472J 1/16 -CP
MAIN2-P.W.Board		R7558		06S15615Y81	RES,RK 223J 1/16 -CP
MAIN2-P.W.Board		R7559		06S55361Y89	RES,RK 103J 1/4 -CP
MAIN2-P.W.Board		R7560		06S45674W57	RES,RK 102J 1/10 -CP
MAIN2-P.W.Board		R7561		06S55365Y41	RES,RK 101J 1/10 -CP
MAIN2-P.W.Board		R7563		06S45674W33	RES,RK 101J 1/10 -CP
MAIN2-P.W.Board		R7564		06S45674W33	RES,RK 101J 1/10 -CP
MAIN2-P.W.Board		R7565		06S45674W89	RES,RK 223J 1/10 -CP
MAIN2-P.W.Board		R7566		06S45674W81	RES,RK 103J 1/10 -CP
MAIN2-P.W.Board		R7567		06S45674W81	RES,RK 103J 1/10 -CP
MAIN2-P.W.Board		R7569		06S55366Y39	RES,RK JUMPER1/10-CP
MAIN2-P.W.Board		R7570		06S55361Y67	RES,RK 122J 1/4 -CP
MAIN2-P.W.Board		R7571		06S45674W33	RES,RK 101J 1/10 -CP
MAIN2-P.W.Board		R7572		06S15615Y65	RES,RK 472J 1/16 -CP
MAIN2-P.W.Board		R7573		06S55361Y67	RES,RK 122J 1/4 -CP
MAIN2-P.W.Board		R7574		06S55361Y67	RES,RK 122J 1/4 -CP
MAIN2-P.W.Board		R7575		06S45674W33	RES,RK 101J 1/10 -CP
MAIN2-P.W.Board		R7576		06S45674W33	RES,RK 101J 1/10 -CP
MAIN2-P.W.Board		R7579		06S15615Y25	RES,RK 101J 1/16 -CP
MAIN2-P.W.Board		R7582		06S15615Y77	RES,RK 153J 1/16 -CP
MAIN2-P.W.Board		R7583		06S15615Y77	RES,RK 153J 1/16 -CP
MAIN2-P.W.Board		R7585		06S15615Y13	RES,RK 33RJ 1/16 -CP
MAIN2-P.W.Board		R7592		06S45674W21	RES,RK 33RJ 1/10 -CP
MAIN2-P.W.Board		R7599		06S15615Y13	RES,RK 33RJ 1/16 -CP
MAIN2-P.W.Board		R7600		06S15615Y13	RES,RK 33RJ 1/16 -CP
MAIN2-P.W.Board		R7601		06S15615Y13	RES,RK 33RJ 1/16 -CP
MAIN2-P.W.Board		R7602		06S15615Y13	RES,RK 33RJ 1/16 -CP
MAIN2-P.W.Board		R7603		06S15615Y13	RES,RK 33RJ 1/16 -CP


Model Code
IVA-W505

NOTE:The part that has not PART NUMBER will not be supplied.

P.W.Board	MIS	MODEL	Ref.	Parts No.	Parts Name
MAIN2-P.W.Board		R7604		06S15615Y13	RES,RK 33RJ 1/16 -CP
MAIN2-P.W.Board		R7605		06S15615Y13	RES,RK 33RJ 1/16 -CP
MAIN2-P.W.Board		R7606		06S15615Y13	RES,RK 33RJ 1/16 -CP
MAIN2-P.W.Board		R7607		06S15615Y13	RES,RK 33RJ 1/16 -CP
MAIN2-P.W.Board		R7608		06S15615Y13	RES,RK 33RJ 1/16 -CP
MAIN2-P.W.Board		R7609		06S15615Y13	RES,RK 33RJ 1/16 -CP
MAIN2-P.W.Board		R7610		06S15615Y13	RES,RK 33RJ 1/16 -CP
MAIN2-P.W.Board		R7611		06S15615Y13	RES,RK 33RJ 1/16 -CP
MAIN2-P.W.Board		R7612		06S15615Y13	RES,RK 33RJ 1/16 -CP
MAIN2-P.W.Board		R7613		06S15615Y13	RES,RK 33RJ 1/16 -CP
MAIN2-P.W.Board		R7614		06S15615Y25	RES,RK 101J 1/16 -CP
MAIN2-P.W.Board		R7615		06S15615Y25	RES,RK 101J 1/16 -CP
MAIN2-P.W.Board		R7617		06S15616Y40	RES,RK 565J 1/16 -CP
MAIN2-P.W.Board		R7618		06S55361Y21	RES,RK 15RJ 1/4 -CP
MAIN2-P.W.Board		R7619		06S55361Y21	RES,RK 15RJ 1/4 -CP
MAIN2-P.W.Board		R7624		06S15593Y88	RES,RK 433F 1/10 -CP
MAIN2-P.W.Board		R7625		06S15593Y88	RES,RK 433F 1/10 -CP
MAIN2-P.W.Board		R7627		06S15593Y69	RES,RK 682F 1/10 -CP
MAIN2-P.W.Board		R7628		06S15593Y69	RES,RK 682F 1/10 -CP
MAIN2-P.W.Board		R7631		06S15615Y25	RES,RK 101J 1/16 -CP
MAIN2-P.W.Board		R7632		06S15615Y25	RES,RK 101J 1/16 -CP
MAIN2-P.W.Board		R7633		06S15615Y25	RES,RK 101J 1/16 -CP
MAIN2-P.W.Board		R7634		06S15615Y25	RES,RK 101J 1/16 -CP
MAIN2-P.W.Board		R7635		06S15615Y25	RES,RK 101J 1/16 -CP
MAIN2-P.W.Board		R7636		06S15615Y25	RES,RK 101J 1/16 -CP
MAIN2-P.W.Board		R7640		06S15615Y73	RES,RK 103J 1/16 -CP
MAIN2-P.W.Board		R7642		06S45674W81	RES,RK 103J 1/10 -CP
MAIN2-P.W.Board		R7646		06S15615Y73	RES,RK 103J 1/16 -CP
MAIN2-P.W.Board		R7647		06S15615Y77	RES,RK 153J 1/16 -CP
MAIN2-P.W.Board		R7648		06S15615Y77	RES,RK 153J 1/16 -CP
MAIN2-P.W.Board		R7649		06S65415Y49	RES,RK 104F 1/16 -CP
MAIN2-P.W.Board		R7650		06S15615Y89	RES,RK 473J 1/16 -CP
MAIN2-P.W.Board		R7652		06S15615Y65	RES,RK 472J 1/16 -CP
MAIN2-P.W.Board		R7653		06S15615Y65	RES,RK 472J 1/16 -CP
MAIN2-P.W.Board		R7654		06S15615Y65	RES,RK 472J 1/16 -CP
MAIN2-P.W.Board		R7655		06S15615Y65	RES,RK 472J 1/16 -CP
MAIN2-P.W.Board		R7656		06S15615Y65	RES,RK 472J 1/16 -CP
MAIN2-P.W.Board		R7657		06S15615Y65	RES,RK 472J 1/16 -CP
MAIN2-P.W.Board		R7660		06S15615Y65	RES,RK 472J 1/16 -CP
MAIN2-P.W.Board		R7661		06S15615Y65	RES,RK 472J 1/16 -CP
MAIN2-P.W.Board		R7662		06S15615Y65	RES,RK 472J 1/16 -CP
MAIN2-P.W.Board		R7663		06S15615Y65	RES,RK 472J 1/16 -CP
MAIN2-P.W.Board		R7664		06S15615Y65	RES,RK 472J 1/16 -CP
MAIN2-P.W.Board		R7665		06S15615Y65	RES,RK 472J 1/16 -CP
MAIN2-P.W.Board		R7666		06S15615Y65	RES,RK 472J 1/16 -CP
MAIN2-P.W.Board		R7667		06S15615Y65	RES,RK 472J 1/16 -CP
MAIN2-P.W.Board		R7668		06S15615Y25	RES,RK 101J 1/16 -CP

Model Code
IVA-W505

NOTE:The part that has not PART NUMBER will not be supplied.

P.W.Board	MIS	MODEL	Ref.	Parts No.	Parts Name
MAIN2-P.W.Board		R7669		06S15615Y81	RES,RK 223J 1/16 -CP
MAIN2-P.W.Board		R7670		06S15615Y65	RES,RK 472J 1/16 -CP
MAIN2-P.W.Board		R7671		06S15615Y65	RES,RK 472J 1/16 -CP
MAIN2-P.W.Board		R7672		06S15615Y65	RES,RK 472J 1/16 -CP
MAIN2-P.W.Board		SA6000		48T25171Y02	VST,SA-C2012-101 -CP
MAIN2-P.W.Board		SD6500		48-06874Z03	DIO,SHT MA24D52-TXE1
MAIN2-P.W.Board		SD6501		48-06874Z03	DIO,SHT MA24D52-TXE1
MAIN2-P.W.Board		SD7500		48-06874Z03	DIO,SHT MA24D52-TXE1
MAIN2-P.W.Board		XL5000		91-12380Z02	XTL,XJ 5.000M -E9
MAIN2-P.W.Board		XL5001		91T75391Y01	XTL,CM130 32.768K-E5
MAIN2-P.W.Board		XL5500		91-12380Z01	XTL,XJ 4.000M -E9
MAIN2-P.W.Board		XL7500		91T55217Y11	XTL,NX8045GB 12.0-E5
MAIN2-P.W.Board		XL7501		91T95554W01	XTL,CM200S 32.76K-E5
MAIN2-P.W.Board		Z5000		91T65112W06	EMI,BK2125HM102 -CP
MAIN2-P.W.Board		Z7000		91T15509Y10	EMI,BK1608LL121 -CP
MAIN2-P.W.Board		Z7001		91T15509Y10	EMI,BK1608LL121 -CP
MAIN2-P.W.Board		Z7002		91T15509Y10	EMI,BK1608LL121 -CP
MAIN2-P.W.Board		Z7500		91T65123Y02	EMI,DLW21SN900SQ2-CP
MAIN2-P.W.Board		ZD5500		48T15541Y52	DIO,ZEN MAZS0560M-CP
MAIN2-P.W.Board		ZD5501		48T35392Y06	DIO,ZEN RLZ7.5A -CP
MAIN2-P.W.Board		ZD5502		48T35392Y06	DIO,ZEN RLZ7.5A -CP
MAIN2-P.W.Board		ZD6001		48-12488Z01	DIO,ZEN MAZ9062H -CP
MAIN2-P.W.Board		ZD6002		48-12488Z01	DIO,ZEN MAZ9062H -CP
MAIN2-P.W.Board		ZD6004		48-12488Z01	DIO,ZEN MAZ9062H -CP
MAIN2-P.W.Board		ZD6006		48-12488Z01	DIO,ZEN MAZ9062H -CP
MAIN2-P.W.Board		ZD7500		48T15541Y49	DIO,ZEN MAZS0510M-CP
MAIN2-P.W.Board		ZD7501		48T15541Y49	DIO,ZEN MAZS0510M-CP
MAIN3-P.W.Board		ANT1160		09T25015Y01	ANT,RECEPTACLE -DB
MAIN3-P.W.Board		C1100		08S65674Y05	CAP,CER 105KX5R1C-CP
MAIN3-P.W.Board		C1101		08S65674Y05	CAP,CER 105KX5R1C-CP
MAIN3-P.W.Board		C1120		08S60102F48	CAP,CER 105K-B1E -CP
MAIN3-P.W.Board		C1121		08S60102F48	CAP,CER 105K-B1E -CP
MAIN3-P.W.Board		C1122		08S60102F48	CAP,CER 105K-B1E -CP
MAIN3-P.W.Board		C1123		08S60102F48	CAP,CER 105K-B1E -CP
MAIN3-P.W.Board		C1124		08T81833F07	CAP,CER 105K-B1C -CP
MAIN3-P.W.Board		C1125		08T81833F07	CAP,CER 105K-B1C -CP
MAIN3-P.W.Board		C1126		08T81833F07	CAP,CER 105K-B1C -CP
MAIN3-P.W.Board		C1127		08T81833F07	CAP,CER 105K-B1C -CP
MAIN3-P.W.Board		C1128		08T81833F07	CAP,CER 105K-B1C -CP
MAIN3-P.W.Board		C1129		08T81833F07	CAP,CER 105K-B1C -CP
MAIN3-P.W.Board		C1130		08T81833F07	CAP,CER 105K-B1C -CP
MAIN3-P.W.Board		C1131		08T81833F07	CAP,CER 105K-B1C -CP
MAIN3-P.W.Board		C1132		08T81833F07	CAP,CER 105K-B1C -CP
MAIN3-P.W.Board		C1140		08S45676W80	CAP,CER 223K-B1E -CP
MAIN3-P.W.Board		C1150		08S45676W80	CAP,CER 223K-B1E -CP
MAIN3-P.W.Board		C1160		08S45676W80	CAP,CER 223K-B1E -CP
MAIN3-P.W.Board		C1161		08S45677W44	CAP,CER.221J-CH1H-CP




Model Code
IVA-W505

NOTE:The part that has not PART NUMBER will not be supplied.

P.W.Board	MIS	MODEL	Ref.	Parts No.	Parts Name
MAIN3-P.W.Board		C1162	08S45677W44	CAP,CER.221J-CH1H-CP	
MAIN3-P.W.Board		C1163	08S45677W44	CAP,CER.221J-CH1H-CP	
MAIN3-P.W.Board		C1164	08S45677W44	CAP,CER.221J-CH1H-CP	
MAIN3-P.W.Board		C1165	08S45677W44	CAP,CER.221J-CH1H-CP	
MAIN3-P.W.Board		C1166	08S45677W44	CAP,CER.221J-CH1H-CP	
MAIN3-P.W.Board		C1169	08S65674Y05	CAP,CER 105KX5R1C-CP	
MAIN3-P.W.Board		C1300	08S45677W20	CAP,CER.22RJ-CH1H-CP	
MAIN3-P.W.Board		C1301	08S45677W20	CAP,CER.22RJ-CH1H-CP	
MAIN3-P.W.Board		C1302	08S45677W20	CAP,CER.22RJ-CH1H-CP	
MAIN3-P.W.Board		C1303	08S45677W20	CAP,CER.22RJ-CH1H-CP	
MAIN3-P.W.Board		C1304	08T81833F08	CAP,CER 475K-B1A -CP	
MAIN3-P.W.Board		C1305	08T81833F08	CAP,CER 475K-B1A -CP	
MAIN3-P.W.Board		C1306	08S60102F48	CAP,CER 105K-B1E -CP	
MAIN3-P.W.Board		C1307	08S45676W80	CAP,CER 223K-B1E -CP	
MAIN3-P.W.Board		C1308	08S45676W80	CAP,CER 223K-B1E -CP	
MAIN3-P.W.Board		C1309	08S65674Y05	CAP,CER 105KX5R1C-CP	
MAIN3-P.W.Board		C1310	08S65674Y05	CAP,CER 105KX5R1C-CP	
MAIN3-P.W.Board		C1311	08S65674Y05	CAP,CER 105KX5R1C-CP	
MAIN3-P.W.Board		C1312	08S65674Y05	CAP,CER 105KX5R1C-CP	
MAIN3-P.W.Board		C1350	08S35374W07	CAP,CER 334K-B1C -CP	
MAIN3-P.W.Board		C1351	08S65128F78	CAP,CER.223K-B1H -CP	
MAIN3-P.W.Board		C1400	08S45676W73	CAP,CER.103K-B1H -CP	
MAIN3-P.W.Board		C1401	08S45676W85	CAP,CER 104K-B1C -CP	
MAIN3-P.W.Board		C1403	08S45676W65	CAP,CER.222K-B1H -CP	
MAIN3-P.W.Board		C1404	08S45676W65	CAP,CER.222K-B1H -CP	
MAIN3-P.W.Board		C1405	08S35349Y17	CAP,CER 225K-B0J -CP	
MAIN3-P.W.Board		C1406	08S45676W91	CAP,CER 154K-B1A -CP	
MAIN3-P.W.Board		C1407	08S45677W60	CAP,CER 102J-CH1H-CP	
MAIN3-P.W.Board		C1500	08S45676W80	CAP,CER 223K-B1E -CP	
MAIN3-P.W.Board		C1600	08S45676W85	CAP,CER 104K-B1C -CP	
MAIN3-P.W.Board		C1610	08S45676W80	CAP,CER 223K-B1E -CP	
MAIN3-P.W.Board		C1630	08S45676W73	CAP,CER.103K-B1H -CP	
MAIN3-P.W.Board		C1631	08S45676W85	CAP,CER 104K-B1C -CP	
MAIN3-P.W.Board		C1632	08S45676W65	CAP,CER.222K-B1H -CP	
MAIN3-P.W.Board		C1633	08S45676W80	CAP,CER 223K-B1E -CP	
MAIN3-P.W.Board		C1640	08S45676W80	CAP,CER 223K-B1E -CP	
MAIN3-P.W.Board		C1641	08S45676W80	CAP,CER 223K-B1E -CP	
MAIN3-P.W.Board		C1642	08S45676W80	CAP,CER 223K-B1E -CP	
MAIN3-P.W.Board		C1643	08S45676W80	CAP,CER 223K-B1E -CP	
MAIN3-P.W.Board		C1644	08S45676W80	CAP,CER 223K-B1E -CP	
MAIN3-P.W.Board		C1650	08S65674Y05	CAP,CER 105KX5R1C-CP	
MAIN3-P.W.Board		C1651	08S65669Y03	CAP,CER 224KX7R1H-CP	
MAIN3-P.W.Board		CB1161	09T45507Y40	FFC,IMSA9631S-40Y-EQ	
MAIN3-P.W.Board		CB1200	09-07889Z02	FFC,FH28D-68S-0.5-EZ	
MAIN3-P.W.Board		CB1620	09-05987Z01	WTB,BM04B-PASS-TFTEA	
MAIN3-P.W.Board		CB1630	09T03498K03	WTB,53253-0310 -DB	
MAIN3-P.W.Board		CB1650	09T03498K02	WTB,53253-0210 -DB	

Model Code
IVA-W505

NOTE:The part that has not PART NUMBER will not be supplied.

P.W.Board	MIS	MODEL	Ref.	Parts No.	Parts Name
MAIN3-P.W.Board		D1110		48-06706Z01	DIO,MA2J111-TX -CP
MAIN3-P.W.Board		D1111		48T74603F01	DIO,MA152A-TX -CP
MAIN3-P.W.Board		D1140		48-06706Z01	DIO,MA2J111-TX -CP
MAIN3-P.W.Board		D1160		48T45701Y01	DIO,MA2S728-TX -CP
MAIN3-P.W.Board		D1350		48T75527Y01	DIO,1SR154-400 -E1
MAIN3-P.W.Board		D1400		48T75527Y01	DIO,1SR154-400 -E1
MAIN3-P.W.Board		D1610		48T25651W02	DIO,MA152WK-TX -CP
MAIN3-P.W.Board		D1630		48T45254W03	DIO,SI-MA142WK -CP
MAIN3-P.W.Board		DIN1100		09-08763Z01	DIN,SW-13-01 -DB
MAIN3-P.W.Board		E1110		23S65134W34	CAP,ELY 47R-1C(6)-E6
MAIN3-P.W.Board		E1300		23S65134W32	CAP,ELY 22R-1C(5)-E3
MAIN3-P.W.Board		E1301		23S65134W32	CAP,ELY 22R-1C(5)-E3
MAIN3-P.W.Board		E1350		23T65114Y23	CAP,FK 471-1C-F -EA
MAIN3-P.W.Board		E1351		23S65134W81	CAP,ELY 22R-1C(4)-E2
MAIN3-P.W.Board		E1400		23T65114Y23	CAP,FK 471-1C-F -EA
MAIN3-P.W.Board		E1401		23T65114Y21	CAP,FK 221-1C-D8-E6
MAIN3-P.W.Board		F1120		65T75477Y01	FUSE,CCP2E 0.4A -CP
MAIN3-P.W.Board		IC1120		51-03721Z01	NJM2505F-TE1 -CP
MAIN3-P.W.Board		IC1121		51-03721Z01	NJM2505F-TE1 -CP
MAIN3-P.W.Board		IC1122		51-03721Z01	NJM2505F-TE1 -CP
MAIN3-P.W.Board		IC1123		51-03721Z01	NJM2505F-TE1 -CP
MAIN3-P.W.Board		IC1140		51T15192Y01	TC74VHC14FT-EL -SE5
MAIN3-P.W.Board		IC1150		51-11419Z01	74HC4066PW,118 -SE2
MAIN3-P.W.Board		IC1300		51T25576W07	NJM4580V-TE2 -SE2
MAIN3-P.W.Board		IC1301		51-03721Z01	NJM2505F-TE1 -CP
MAIN3-P.W.Board		IC1350		51-03972Z01	BA7810T-V5 -ZS
MAIN3-P.W.Board		IC1400		51-02921Z01	BD9778HFP -NEA
MAIN3-P.W.Board		IC1500		51-09595Z01	KIC7WZ04FK-RTK -CP
MAIN3-P.W.Board		IC1630		51T93532F05	TC4S01F-TE85L -CP
MAIN3-P.W.Board		IC1631		51T25183Y02	TC7SET08FU-EL -CP
MAIN3-P.W.Board		IC1640		51-11440Z01	74HC4051PW,118 -SE2
MAIN3-P.W.Board		IC1641		51-11440Z01	74HC4051PW,118 -SE2
MAIN3-P.W.Board		IC1642		51T15194Y01	TC74VHCT08AFT-EL-SE5
MAIN3-P.W.Board		IC1643		51-09596Z01	KIC7WZ08FK-RTK -CP
MAIN3-P.W.Board		JK1160		09T55293Y01	JAC,HSJ6061-01-440DB
MAIN3-P.W.Board		JK1300		09-12459Z01	JAC,HSJ1765-011075EA
MAIN3-P.W.Board		L1400		24-05548Z10	IND,SLF7045-H22RM-E6
MAIN3-P.W.Board		L1401		24-05496Z04	IND,SLF12575-H101MEA
MAIN3-P.W.Board		Q1110		48T62967F33	TR,DTC343TK-T146 -CP
MAIN3-P.W.Board		Q1111		48T45594W12	TR ,XN1A312 -TX-CP
MAIN3-P.W.Board		Q1112		48-07989Z02	TR,UNR5212J-TX -CP
MAIN3-P.W.Board		Q1140		48-07989Z13	TR,UNR521LJ-TX -CP
MAIN3-P.W.Board		Q1350		48T64222F02	TR,UN2212 22-22-TXCP
MAIN3-P.W.Board		Q1351		48T45594W12	TR ,XN1A312 -TX-CP
MAIN3-P.W.Board		Q1352		48T75031Y03	TR,2SB1440-S -E2
MAIN3-P.W.Board		Q1353		48T64222F02	TR,UN2212 22-22-TXCP
MAIN3-P.W.Board		Q1354		48T75031Y03	TR,2SB1440-S -E2

Model Code
IVA-W505

NOTE:The part that has not PART NUMBER will not be supplied.

P.W.Board	MIS	MODEL	Ref.	Parts No.	Parts Name
MAIN3-P.W.Board		Q1400	48T45594W08	TR ,XN1212 -TX-CP	
MAIN3-P.W.Board		Q1401	48T25137Y02	TR,UN9212J-TX -CP	
MAIN3-P.W.Board		Q1402	48T75031Y03	TR,2SB1440-S -E2	
MAIN3-P.W.Board		Q1403	48T64222F02	TR,UN2212 22-22-TXCP	
MAIN3-P.W.Board		Q1500	48T45594W12	TR ,XN1A312 -TX-CP	
MAIN3-P.W.Board		Q1501	48-07989Z01	TR,UNR5211J-TX -CP	
MAIN3-P.W.Board		Q1600	48T64222F02	TR,UN2212 22-22-TXCP	
MAIN3-P.W.Board		Q1610	48T64221F11	TR,UN211L-TX -CP	
MAIN3-P.W.Board		Q1630	48-07989Z01	TR,UNR5211J-TX -CP	
MAIN3-P.W.Board		Q1631	48-11159Z01	TR,2SA2122G0L-TX -CP	
MAIN3-P.W.Board		Q1650	48T45594W16	TR,XN1A311-TX -CP	
MAIN3-P.W.Board		Q1651	48T73023F01	TR ,2SD874A -E2	
MAIN3-P.W.Board		R1100	06S55361Y65	RES,RK 102J 1/4 -CP	
MAIN3-P.W.Board		R1101	06S55361Y65	RES,RK 102J 1/4 -CP	
MAIN3-P.W.Board		R1102	06S55361Y65	RES,RK 102J 1/4 -CP	
MAIN3-P.W.Board		R1106	06S55361Y41	RES,RK 101J 1/4 -CP	
MAIN3-P.W.Board		R1107	06S55361Y41	RES,RK 101J 1/4 -CP	
MAIN3-P.W.Board		R1108	06S55361Y41	RES,RK 101J 1/4 -CP	
MAIN3-P.W.Board		R1109	06S55361Y41	RES,RK 101J 1/4 -CP	
MAIN3-P.W.Board		R1110	06S55361Y41	RES,RK 101J 1/4 -CP	
MAIN3-P.W.Board		R1111	06S55366Y05	RES,RK 433J 1/10 -CP	
MAIN3-P.W.Board		R1112	06S55365Y41	RES,RK 101J 1/10 -CP	
MAIN3-P.W.Board		R1113	06S55363Y47	RES,RK 181J 1/8 -CP	
MAIN3-P.W.Board		R1114	06S55365Y89	RES,RK 103J 1/10 -CP	
MAIN3-P.W.Board		R1115	06S55361Y41	RES,RK 101J 1/4 -CP	
MAIN3-P.W.Board		R1116	06S55361Y41	RES,RK 101J 1/4 -CP	
MAIN3-P.W.Board		R1117	06S55361Y41	RES,RK 101J 1/4 -CP	
MAIN3-P.W.Board		R1118	06S55361Y41	RES,RK 101J 1/4 -CP	
MAIN3-P.W.Board		R1119	06S55361Y65	RES,RK 102J 1/4 -CP	
MAIN3-P.W.Board		R1120	06S55361Y65	RES,RK 102J 1/4 -CP	
MAIN3-P.W.Board		R1121	06S55361Y30	RES,RK 36RJ 1/4 -CP	
MAIN3-P.W.Board		R1122	06S55361Y30	RES,RK 36RJ 1/4 -CP	
MAIN3-P.W.Board		R1123	06S55361Y30	RES,RK 36RJ 1/4 -CP	
MAIN3-P.W.Board		R1124	06S55361Y31	RES,RK 39RJ 1/4 -CP	
MAIN3-P.W.Board		R1125	06S55361Y31	RES,RK 39RJ 1/4 -CP	
MAIN3-P.W.Board		R1126	06S55361Y31	RES,RK 39RJ 1/4 -CP	
MAIN3-P.W.Board		R1140	06S55361Y33	RES,RK 47RJ 1/4 -CP	
MAIN3-P.W.Board		R1141	06S55361Y33	RES,RK 47RJ 1/4 -CP	
MAIN3-P.W.Board		R1142	06S55361Y89	RES,RK 103J 1/4 -CP	
MAIN3-P.W.Board		R1143	06S55361Y89	RES,RK 103J 1/4 -CP	
MAIN3-P.W.Board		R1150	06S55365Y81	RES,RK 472J 1/10 -CP	
MAIN3-P.W.Board		R1151	06S55366Y39	RES,RK JUMPER1/10-CP	
MAIN3-P.W.Board		R1152	06S55366Y06	RES,RK 473J 1/10 -CP	
MAIN3-P.W.Board		R1153	06S55365Y89	RES,RK 103J 1/10 -CP	
MAIN3-P.W.Board		R1161	06S55366Y39	RES,RK JUMPER1/10-CP	
MAIN3-P.W.Board		R1163	06S55366Y39	RES,RK JUMPER1/10-CP	
MAIN3-P.W.Board		R1164	06S55366Y39	RES,RK JUMPER1/10-CP	

Model Code
IVA-W505

NOTE:The part that has not PART NUMBER will not be supplied.

P.W.Board	MIS	MODEL	Ref.	Parts No.	Parts Name
MAIN3-P.W.Board		R1165		06S55366Y06	RES,RK 473J 1/10 -CP
MAIN3-P.W.Board		R1166		06S55366Y06	RES,RK 473J 1/10 -CP
MAIN3-P.W.Board		R1167		06S55366Y06	RES,RK 473J 1/10 -CP
MAIN3-P.W.Board		R1168		06S55366Y39	RES,RK JUMPER1/10-CP
MAIN3-P.W.Board		R1170		06S55365Y89	RES,RK 103J 1/10 -CP
MAIN3-P.W.Board		R1172		06S55366Y39	RES,RK JUMPER1/10-CP
MAIN3-P.W.Board		R1173		06S55366Y39	RES,RK JUMPER1/10-CP
MAIN3-P.W.Board		R1307		06S55365Y85	RES,RK 682J 1/10 -CP
MAIN3-P.W.Board		R1308		06S55365Y85	RES,RK 682J 1/10 -CP
MAIN3-P.W.Board		R1309		06S55361Y31	RES,RK 39RJ 1/4 -CP
MAIN3-P.W.Board		R1310		06S15593Y81	RES,RK 223F 1/10 -CP
MAIN3-P.W.Board		R1311		06S15593Y81	RES,RK 223F 1/10 -CP
MAIN3-P.W.Board		R1312		06S15593Y81	RES,RK 223F 1/10 -CP
MAIN3-P.W.Board		R1313		06S15593Y81	RES,RK 223F 1/10 -CP
MAIN3-P.W.Board		R1314		06S15593Y81	RES,RK 223F 1/10 -CP
MAIN3-P.W.Board		R1315		06S15593Y81	RES,RK 223F 1/10 -CP
MAIN3-P.W.Board		R1316		06S15593Y81	RES,RK 223F 1/10 -CP
MAIN3-P.W.Board		R1317		06S15593Y81	RES,RK 223F 1/10 -CP
MAIN3-P.W.Board		R1318		06S55361Y30	RES,RK 36RJ 1/4 -CP
MAIN3-P.W.Board		R1319		06S55361Y41	RES,RK 101J 1/4 -CP
MAIN3-P.W.Board		R1320		06S55361Y41	RES,RK 101J 1/4 -CP
MAIN3-P.W.Board		R1350		06S35084Y45	RES,RK 473F 1/8 -CP
MAIN3-P.W.Board		R1351		06S70072F41	RES,CP .331-J-1/4-CP
MAIN3-P.W.Board		R1352		06S45674W61	RES,RK 152J 1/10 -CP
MAIN3-P.W.Board		R1353		06S45674W73	RES,RK 472J 1/10 -CP
MAIN3-P.W.Board		R1354		06S55361Y97	RES,RK 223J 1/4 -CP
MAIN3-P.W.Board		R1355		06S55361Y97	RES,RK 223J 1/4 -CP
MAIN3-P.W.Board		R1356		06S55365Y41	RES,RK 101J 1/10 -CP
MAIN3-P.W.Board		R1357		06S55362Y39	RES,RK JUMPER 1/4-CP
MAIN3-P.W.Board		R1358		06S55361Y97	RES,RK 223J 1/4 -CP
MAIN3-P.W.Board		R1359		06S55362Y39	RES,RK JUMPER 1/4-CP
MAIN3-P.W.Board		R1400		06S55365Y97	RES,RK 223J 1/10 -CP
MAIN3-P.W.Board		R1401		06S55365Y97	RES,RK 223J 1/10 -CP
MAIN3-P.W.Board		R1402		06S55365Y97	RES,RK 223J 1/10 -CP
MAIN3-P.W.Board		R1403		06S15593Y50	RES,RK 112F 1/10 -CP
MAIN3-P.W.Board		R1404		06S55361Y85	RES,RK 682J 1/4 -CP
MAIN3-P.W.Board		R1405		06S45674W33	RES,RK 101J 1/10 -CP
MAIN3-P.W.Board		R1407		06S15593Y75	RES,RK 123F 1/10 -CP
MAIN3-P.W.Board		R1408		06S15593Y59	RES,RK 272F 1/10 -CP
MAIN3-P.W.Board		R1409		06S15593Y27	RES,RK 121F 1/10 -CP
MAIN3-P.W.Board		R1410		06S15594Y14	RES,RK 474F 1/10 -CP
MAIN3-P.W.Board		R1411		06S45674W09	RES,RK 10RJ 1/10 -CP
MAIN3-P.W.Board		R1412		06S45674W09	RES,RK 10RJ 1/10 -CP
MAIN3-P.W.Board		R1413		06S15593Y99	RES,RK 124F 1/10 -CP
MAIN3-P.W.Board		R1414		06S15594Y06	RES,RK 224F 1/10 -CP
MAIN3-P.W.Board		R1415		06S15594Y03	RES,RK 164F 1/10 -CP
MAIN3-P.W.Board		R1416		06S55361Y47	RES,RK 181J 1/4 -CP

Model Code
IVA-W505

NOTE:The part that has not PART NUMBER will not be supplied.

P.W.Board	MIS	MODEL	Ref.	Parts No.	Parts Name
MAIN3-P.W.Board		R1417		06S55361Y47	RES,RK 181J 1/4 -CP
MAIN3-P.W.Board		R1418		06S55361Y47	RES,RK 181J 1/4 -CP
MAIN3-P.W.Board		R1419		06S55361Y97	RES,RK 223J 1/4 -CP
MAIN3-P.W.Board		R1420		06S70072F41	RES,CP .331-J-1/4-CP
MAIN3-P.W.Board		R1500		06S55365Y89	RES,RK 103J 1/10 -CP
MAIN3-P.W.Board		R1501		06S55366Y06	RES,RK 473J 1/10 -CP
MAIN3-P.W.Board		R1502		06S55366Y06	RES,RK 473J 1/10 -CP
MAIN3-P.W.Board		R1504		06S55366Y39	RES,RK JUMPER1/10-CP
MAIN3-P.W.Board		R1505		06S55366Y39	RES,RK JUMPER1/10-CP
MAIN3-P.W.Board		R1508		06S55366Y39	RES,RK JUMPER1/10-CP
MAIN3-P.W.Board		R1511		06S55366Y39	RES,RK JUMPER1/10-CP
MAIN3-P.W.Board		R1600		06S55361Y89	RES,RK 103J 1/4 -CP
MAIN3-P.W.Board		R1610		06S45674W89	RES,RK 223J 1/10 -CP
MAIN3-P.W.Board		R1611		06S45674W82	RES,RK 113J 1/10 -CP
MAIN3-P.W.Board		R1620		06S55361Y65	RES,RK 102J 1/4 -CP
MAIN3-P.W.Board		R1621		06S55361Y65	RES,RK 102J 1/4 -CP
MAIN3-P.W.Board		R1622		06S55361Y65	RES,RK 102J 1/4 -CP
MAIN3-P.W.Board		R1623		06S55361Y89	RES,RK 103J 1/4 -CP
MAIN3-P.W.Board		R1630		06S55365Y97	RES,RK 223J 1/10 -CP
MAIN3-P.W.Board		R1631		06S55365Y97	RES,RK 223J 1/10 -CP
MAIN3-P.W.Board		R1632		06S55366Y30	RES,RK 474J 1/10 -CP
MAIN3-P.W.Board		R1633		06S55365Y65	RES,RK 102J 1/10 -CP
MAIN3-P.W.Board		R1634		06S55365Y77	RES,RK 332J 1/10 -CP
MAIN3-P.W.Board		R1635		06S55365Y73	RES,RK 222J 1/10 -CP
MAIN3-P.W.Board		R1640		06S55365Y97	RES,RK 223J 1/10 -CP
MAIN3-P.W.Board		R1641		06S55365Y97	RES,RK 223J 1/10 -CP
MAIN3-P.W.Board		R1642		06S55365Y41	RES,RK 101J 1/10 -CP
MAIN3-P.W.Board		R1643		06S55365Y41	RES,RK 101J 1/10 -CP
MAIN3-P.W.Board		R1644		06S55366Y06	RES,RK 473J 1/10 -CP
MAIN3-P.W.Board		R1650		06S55361Y59	RES,RK 561J 1/4 -CP
MAIN3-P.W.Board		R1651		06S55365Y01	RES,RK 2R2J 1/10 -CP
MAIN3-P.W.Board		R1652		06S55365Y17	RES,RK 10RJ 1/10 -CP
MAIN3-P.W.Board		SA1100		48T25171Y02	VST,SA-C2012-101 -CP
MAIN3-P.W.Board		SA1101		48T25171Y02	VST,SA-C2012-101 -CP
MAIN3-P.W.Board		SA1102		48T25171Y02	VST,SA-C2012-101 -CP
MAIN3-P.W.Board		SA1160		48-00954Z01	VST,CSA30C201M-T -CP
MAIN3-P.W.Board		SD1400		48-06874Z03	DIO,SHT MA24D52-TXE1
MAIN3-P.W.Board		ZD1101		48-01607Z19	DIO,ZEN LUDZ5.6B -CP
MAIN3-P.W.Board		ZD1102		48-01607Z19	DIO,ZEN LUDZ5.6B -CP
MAIN3-P.W.Board		ZD1103		48-01607Z19	DIO,ZEN LUDZ5.6B -CP
MAIN3-P.W.Board		ZD1122		48-12488Z01	DIO,ZEN MAZ9062H -CP
MAIN3-P.W.Board		ZD1125		48-12488Z01	DIO,ZEN MAZ9062H -CP
MAIN3-P.W.Board		ZD1126		48-12488Z01	DIO,ZEN MAZ9062H -CP
MAIN3-P.W.Board		ZD1127		48-12488Z01	DIO,ZEN MAZ9062H -CP
MAIN3-P.W.Board		ZD1300		48-12488Z01	DIO,ZEN MAZ9062H -CP
MAIN3-P.W.Board		ZD1620		48T15541Y53	DIO,ZEN MAZS0560H-CP
MAIN3-P.W.Board		ZD1621		48T15541Y53	DIO,ZEN MAZS0560H-CP

Model Code
IVA-W505

NOTE:The part that has not PART NUMBER will not be supplied.

P.W.Board	MIS	MODEL	Ref.	Parts No.	Parts Name
MAIN3-P.W.Board		ZD1622	48T15541Y53		DIO,ZEN MAZS0560H-CP
MAIN3-P.W.Board		ZD1650	48T25766W38		DIO,ZEN.HZS12A3L -R5
FRONT-P.W.Board		C8001	08S45676W80		CAP,CER 223K-B1E -CP
FRONT-P.W.Board		C8002	08S45677W11		CAP,CER 9R0D-CH1H-CP
FRONT-P.W.Board		C8003	08S45677W11		CAP,CER 9R0D-CH1H-CP
FRONT-P.W.Board		C8005	08S45677W60		CAP,CER 102J-CH1H-CP
FRONT-P.W.Board		C8007	08S45677W60		CAP,CER 102J-CH1H-CP
FRONT-P.W.Board		C8008	08S35374W11		CAP,CER 475K-B0J -CP
FRONT-P.W.Board		C8014	08S45676W80		CAP,CER 223K-B1E -CP
FRONT-P.W.Board		C8015	08S45676W80		CAP,CER 223K-B1E -CP
FRONT-P.W.Board		C8016	08S45676W80		CAP,CER 223K-B1E -CP
FRONT-P.W.Board		C8017	08S45676W80		CAP,CER 223K-B1E -CP
FRONT-P.W.Board		C8151	08S45677W60		CAP,CER 102J-CH1H-CP
FRONT-P.W.Board		C8152	08S45677W60		CAP,CER 102J-CH1H-CP
FRONT-P.W.Board		C8201	08S45676W85		CAP,CER 104K-B1C -CP
FRONT-P.W.Board		C8301	08S45232Y17		CAP,CER 104K-B0J -CP
FRONT-P.W.Board		C8302	08S35349Y17		CAP,CER 225K-B0J -CP
FRONT-P.W.Board		C8303	08S35349Y17		CAP,CER 225K-B0J -CP
FRONT-P.W.Board		C8304	08S35349Y17		CAP,CER 225K-B0J -CP
FRONT-P.W.Board		C8305	08S45232Y17		CAP,CER 104K-B0J -CP
FRONT-P.W.Board		C8306	08S45232Y17		CAP,CER 104K-B0J -CP
FRONT-P.W.Board		C8307	08S45232Y17		CAP,CER 104K-B0J -CP
FRONT-P.W.Board		C8308	08S35349Y17		CAP,CER 225K-B0J -CP
FRONT-P.W.Board		C8309	08S35349Y17		CAP,CER 225K-B0J -CP
FRONT-P.W.Board		C8310	08S45232Y17		CAP,CER 104K-B0J -CP
FRONT-P.W.Board		C8311	08S45676W80		CAP,CER 223K-B1E -CP
FRONT-P.W.Board		C8401	08S45232Y17		CAP,CER 104K-B0J -CP
FRONT-P.W.Board		C8402	08S45232Y17		CAP,CER 104K-B0J -CP
FRONT-P.W.Board		C8403	08S45232Y17		CAP,CER 104K-B0J -CP
FRONT-P.W.Board		C8404	08S45232Y17		CAP,CER 104K-B0J -CP
FRONT-P.W.Board		C8405	08S45232Y17		CAP,CER 104K-B0J -CP
FRONT-P.W.Board		C8406	08S45232Y17		CAP,CER 104K-B0J -CP
FRONT-P.W.Board		C8407	08S45232Y17		CAP,CER 104K-B0J -CP
FRONT-P.W.Board		C8408	08S45232Y17		CAP,CER 104K-B0J -CP
FRONT-P.W.Board		C8409	08S45231Y15		CAP,CER 15RJ-CH1H-CP
FRONT-P.W.Board		C8410	08S45231Y15		CAP,CER 15RJ-CH1H-CP
FRONT-P.W.Board		C8411	08S45232Y11		CAP,CER 103K-B1C -CP
FRONT-P.W.Board		C8412	08S45676W85		CAP,CER 104K-B1C -CP
FRONT-P.W.Board		C8413	08S45676W85		CAP,CER 104K-B1C -CP
FRONT-P.W.Board		C8414	08S45676W85		CAP,CER 104K-B1C -CP
FRONT-P.W.Board		C8415	08S45676W85		CAP,CER 104K-B1C -CP
FRONT-P.W.Board		C8416	08S45676W85		CAP,CER 104K-B1C -CP
FRONT-P.W.Board		C8417	08S45676W85		CAP,CER 104K-B1C -CP
FRONT-P.W.Board		C8418	08S45676W85		CAP,CER 104K-B1C -CP
FRONT-P.W.Board		C8421	08S35374W12		CAP,CER 106K-B0J -CP
FRONT-P.W.Board		C8422	08S35374W12		CAP,CER 106K-B0J -CP
FRONT-P.W.Board		C8423	08S35374W12		CAP,CER 106K-B0J -CP

Model Code
IVA-W505

NOTE:The part that has not PART NUMBER will not be supplied.

P.W.Board	MIS	MODEL	Ref.	Parts No.	Parts Name
FRONT-P.W.Board		C8424		08S35374W12	CAP,CER 106K-B0J -CP
FRONT-P.W.Board		C8425		08S65668Y03	CAP,CER 823KX5R1A-CP
FRONT-P.W.Board		C8426		08T65555Y01	CAP,CER 226K-BJ0J-CP
FRONT-P.W.Board		C8427		08T65555Y01	CAP,CER 226K-BJ0J-CP
FRONT-P.W.Board		C8428		08T65555Y01	CAP,CER 226K-BJ0J-CP
FRONT-P.W.Board		C8429		08T65555Y01	CAP,CER 226K-BJ0J-CP
FRONT-P.W.Board		C8430		08S45232Y17	CAP,CER 104K-B0J -CP
FRONT-P.W.Board		C8431		08S45232Y17	CAP,CER 104K-B0J -CP
FRONT-P.W.Board		C8432		08S45232Y17	CAP,CER 104K-B0J -CP
FRONT-P.W.Board		C8433		08S45232Y17	CAP,CER 104K-B0J -CP
FRONT-P.W.Board		C8434		08S45232Y17	CAP,CER 104K-B0J -CP
FRONT-P.W.Board		C8435		08S45232Y17	CAP,CER 104K-B0J -CP
FRONT-P.W.Board		C8436		08S45676W73	CAP,CER.103K-B1H -CP
FRONT-P.W.Board		C8437		08S45676W73	CAP,CER.103K-B1H -CP
FRONT-P.W.Board		C8501		08S65670Y01	CAP,CER 106KX5R1C-CP
FRONT-P.W.Board		C8502		08S35374W12	CAP,CER 106K-B0J -CP
FRONT-P.W.Board		C8503		08S45232Y17	CAP,CER 104K-B0J -CP
FRONT-P.W.Board		C8504		08S65670Y01	CAP,CER 106KX5R1C-CP
FRONT-P.W.Board		C8505		08S45232Y17	CAP,CER 104K-B0J -CP
FRONT-P.W.Board		C8506		08S45232Y17	CAP,CER 104K-B0J -CP
FRONT-P.W.Board		C8507		08S45232Y17	CAP,CER 104K-B0J -CP
FRONT-P.W.Board		C8508		08S45232Y17	CAP,CER 104K-B0J -CP
FRONT-P.W.Board		C8509		08S45232Y17	CAP,CER 104K-B0J -CP
FRONT-P.W.Board		C8510		08S45232Y17	CAP,CER 104K-B0J -CP
FRONT-P.W.Board		C8511		08S45232Y17	CAP,CER 104K-B0J -CP
FRONT-P.W.Board		C8512		08S45232Y17	CAP,CER 104K-B0J -CP
FRONT-P.W.Board		C8513		08S45232Y17	CAP,CER 104K-B0J -CP
FRONT-P.W.Board		C8514		08S45232Y17	CAP,CER 104K-B0J -CP
FRONT-P.W.Board		C8515		08S45232Y17	CAP,CER 104K-B0J -CP
FRONT-P.W.Board		C8516		08S45231Y14	CAP,CER 12RJ-CH1H-CP
FRONT-P.W.Board		C8517		08S45231Y14	CAP,CER 12RJ-CH1H-CP
FRONT-P.W.Board		C8518		08S45232Y17	CAP,CER 104K-B0J -CP
FRONT-P.W.Board		C8519		08S45232Y17	CAP,CER 104K-B0J -CP
FRONT-P.W.Board		C8522		08S45231Y17	CAP,CER 22RJ-CH1H-CP
FRONT-P.W.Board		C8523		08S45231Y17	CAP,CER 22RJ-CH1H-CP
FRONT-P.W.Board		C8524		08S45231Y17	CAP,CER 22RJ-CH1H-CP
FRONT-P.W.Board		C8525		08S45231Y17	CAP,CER 22RJ-CH1H-CP
FRONT-P.W.Board		C8526		08S45231Y17	CAP,CER 22RJ-CH1H-CP
FRONT-P.W.Board		C8527		08S45231Y17	CAP,CER 22RJ-CH1H-CP
FRONT-P.W.Board		C8528		08S45231Y17	CAP,CER 22RJ-CH1H-CP
FRONT-P.W.Board		C8529		08S45231Y17	CAP,CER 22RJ-CH1H-CP
FRONT-P.W.Board		C8530		08S45231Y17	CAP,CER 22RJ-CH1H-CP
FRONT-P.W.Board		C8531		08S45231Y17	CAP,CER 22RJ-CH1H-CP
FRONT-P.W.Board		C8532		08S45231Y17	CAP,CER 22RJ-CH1H-CP
FRONT-P.W.Board		C8533		08S45231Y17	CAP,CER 22RJ-CH1H-CP
FRONT-P.W.Board		C8534		08S45231Y17	CAP,CER 22RJ-CH1H-CP
FRONT-P.W.Board		C8535		08S45231Y17	CAP,CER 22RJ-CH1H-CP

Model Code
IVA-W505

NOTE:The part that has not PART NUMBER will not be supplied.

P.W.Board	MIS	MODEL	Ref.	Parts No.	Parts Name
FRONT-P.W.Board		C8536		08S45231Y17	CAP,CER 22RJ-CH1H-CP
FRONT-P.W.Board		C8537		08S45231Y17	CAP,CER 22RJ-CH1H-CP
FRONT-P.W.Board		C8538		08S45231Y17	CAP,CER 22RJ-CH1H-CP
FRONT-P.W.Board		C8539		08S45231Y17	CAP,CER 22RJ-CH1H-CP
FRONT-P.W.Board		C8571		08S45232Y17	CAP,CER 104K-B0J -CP
FRONT-P.W.Board		C8572		08S45232Y17	CAP,CER 104K-B0J -CP
FRONT-P.W.Board		C8573		08S45232Y17	CAP,CER 104K-B0J -CP
FRONT-P.W.Board		C8574		08S45232Y17	CAP,CER 104K-B0J -CP
FRONT-P.W.Board		C8575		08S45232Y17	CAP,CER 104K-B0J -CP
FRONT-P.W.Board		C8576		08S45232Y17	CAP,CER 104K-B0J -CP
FRONT-P.W.Board		C8577		08S45231Y25	CAP,CER 101J-CH1H-CP
FRONT-P.W.Board		C8578		08S45231Y25	CAP,CER 101J-CH1H-CP
FRONT-P.W.Board		C8579		08S45231Y25	CAP,CER 101J-CH1H-CP
FRONT-P.W.Board		C8580		08S45231Y25	CAP,CER 101J-CH1H-CP
FRONT-P.W.Board		C8581		08S45231Y25	CAP,CER 101J-CH1H-CP
FRONT-P.W.Board		C8582		08S45231Y25	CAP,CER 101J-CH1H-CP
FRONT-P.W.Board		C8583		08S45231Y25	CAP,CER 101J-CH1H-CP
FRONT-P.W.Board		C8584		08S45231Y25	CAP,CER 101J-CH1H-CP
FRONT-P.W.Board		C8585		08S45231Y25	CAP,CER 101J-CH1H-CP
FRONT-P.W.Board		C8586		08S45231Y25	CAP,CER 101J-CH1H-CP
FRONT-P.W.Board		C8587		08S45231Y25	CAP,CER 101J-CH1H-CP
FRONT-P.W.Board		C8588		08S45231Y25	CAP,CER 101J-CH1H-CP
FRONT-P.W.Board		C8589		08S45231Y25	CAP,CER 101J-CH1H-CP
FRONT-P.W.Board		C8590		08S45231Y25	CAP,CER 101J-CH1H-CP
FRONT-P.W.Board		C8591		08S45231Y25	CAP,CER 101J-CH1H-CP
FRONT-P.W.Board		C8592		08S45231Y25	CAP,CER 101J-CH1H-CP
FRONT-P.W.Board		C8593		08S45231Y25	CAP,CER 101J-CH1H-CP
FRONT-P.W.Board		C8594		08S45231Y25	CAP,CER 101J-CH1H-CP
FRONT-P.W.Board		C8601		08S45232Y17	CAP,CER 104K-B0J -CP
FRONT-P.W.Board		C8602		08S45232Y17	CAP,CER 104K-B0J -CP
FRONT-P.W.Board		C8603		08S45232Y11	CAP,CER 103K-B1C -CP
FRONT-P.W.Board		C8604		08S45232Y17	CAP,CER 104K-B0J -CP
FRONT-P.W.Board		C8605		08S45232Y17	CAP,CER 104K-B0J -CP
FRONT-P.W.Board		C8606		08S45232Y17	CAP,CER 104K-B0J -CP
FRONT-P.W.Board		C8607		08S45232Y17	CAP,CER 104K-B0J -CP
FRONT-P.W.Board		C8608		08S45232Y17	CAP,CER 104K-B0J -CP
FRONT-P.W.Board		C8609		08S45232Y17	CAP,CER 104K-B0J -CP
FRONT-P.W.Board		C8610		08S45232Y17	CAP,CER 104K-B0J -CP
FRONT-P.W.Board		C8611		08S45232Y17	CAP,CER 104K-B0J -CP
FRONT-P.W.Board		C8612		08S45232Y17	CAP,CER 104K-B0J -CP
FRONT-P.W.Board		C8613		08S35374W12	CAP,CER 106K-B0J -CP
FRONT-P.W.Board		C8614		08S65670Y01	CAP,CER 106KX5R1C-CP
FRONT-P.W.Board		C8615		08S65670Y01	CAP,CER 106KX5R1C-CP
FRONT-P.W.Board		C8616		08S45677W36	CAP,CER.101J-CH1H-CP
FRONT-P.W.Board		C8617		08S45677W36	CAP,CER.101J-CH1H-CP
FRONT-P.W.Board		C8701		08S45232Y17	CAP,CER 104K-B0J -CP
FRONT-P.W.Board		C8702		08S45232Y17	CAP,CER 104K-B0J -CP

Model Code
IVA-W505

NOTE:The part that has not PART NUMBER will not be supplied.

P.W.Board	MIS	MODEL	Ref.	Parts No.	Parts Name
FRONT-P.W.Board		C8703	08S45232Y17		CAP,CER 104K-B0J -CP
FRONT-P.W.Board		C8704	08S45232Y17		CAP,CER 104K-B0J -CP
FRONT-P.W.Board		C8705	08S45232Y17		CAP,CER 104K-B0J -CP
FRONT-P.W.Board		C8706	08S45232Y17		CAP,CER 104K-B0J -CP
FRONT-P.W.Board		C8707	08S45232Y17		CAP,CER 104K-B0J -CP
FRONT-P.W.Board		C8708	08S45232Y17		CAP,CER 104K-B0J -CP
FRONT-P.W.Board		C8709	08S45232Y17		CAP,CER 104K-B0J -CP
FRONT-P.W.Board		C8710	08S45232Y17		CAP,CER 104K-B0J -CP
FRONT-P.W.Board		C8711	08S45232Y17		CAP,CER 104K-B0J -CP
FRONT-P.W.Board		C8712	08S45232Y17		CAP,CER 104K-B0J -CP
FRONT-P.W.Board		C8713	08S45232Y17		CAP,CER 104K-B0J -CP
FRONT-P.W.Board		C8714	08S45232Y17		CAP,CER 104K-B0J -CP
FRONT-P.W.Board		C8715	08S45232Y17		CAP,CER 104K-B0J -CP
FRONT-P.W.Board		C8716	08S45232Y17		CAP,CER 104K-B0J -CP
FRONT-P.W.Board		C8717	08T65555Y01		CAP,CER 226K-BJ0J-CP
FRONT-P.W.Board		C8718	08T65555Y01		CAP,CER 226K-BJ0J-CP
FRONT-P.W.Board		C8719	08T65555Y01		CAP,CER 226K-BJ0J-CP
FRONT-P.W.Board		C8720	08S45231Y13		CAP,CER 10RD-CH1H-CP
FRONT-P.W.Board		C8721	08S45231Y13		CAP,CER 10RD-CH1H-CP
FRONT-P.W.Board		C8722	08S45232Y17		CAP,CER 104K-B0J -CP
FRONT-P.W.Board		C8723	08S45232Y17		CAP,CER 104K-B0J -CP
FRONT-P.W.Board		C8724	08S45232Y17		CAP,CER 104K-B0J -CP
FRONT-P.W.Board		C8801	08T65231Y01		CAP,CER 226K-BJ1A-CP
FRONT-P.W.Board		C8803	08S35349Y21		CAP,CER 104K-B1H -CP
FRONT-P.W.Board		C8804	08S35349Y21		CAP,CER 104K-B1H -CP
FRONT-P.W.Board		C8805	08S35349Y21		CAP,CER 104K-B1H -CP
FRONT-P.W.Board		C8806	08S65677Y02		CAP,CER 475KX7R1E-CP
FRONT-P.W.Board		C8807	08S65676Y03		CAP,CER 225KX7R1C-CP
FRONT-P.W.Board		C8808	08S65674Y05		CAP,CER 105KX5R1C-CP
FRONT-P.W.Board		C8809	08S35349Y21		CAP,CER 104K-B1H -CP
FRONT-P.W.Board		C8810	08S65670Y02		CAP,CER 225KX5R1E-CP
FRONT-P.W.Board		C8811	08S45231Y21		CAP,CER 47RJ-CH1H-CP
FRONT-P.W.Board		C8812	08S65670Y01		CAP,CER 106KX5R1C-CP
FRONT-P.W.Board		C8813	08S45676W85		CAP,CER 104K-B1C -CP
FRONT-P.W.Board		C8814	08T65231Y01		CAP,CER 226K-BJ1A-CP
FRONT-P.W.Board		C8815	08S45676W75		CAP,CER.153K-B1H -CP
FRONT-P.W.Board		C8851	08S65670Y01		CAP,CER 106KX5R1C-CP
FRONT-P.W.Board		C8852	08S65670Y01		CAP,CER 106KX5R1C-CP
FRONT-P.W.Board		C8853	08S45676W80		CAP,CER 223K-B1E -CP
FRONT-P.W.Board		C8854	08S45676W80		CAP,CER 223K-B1E -CP
FRONT-P.W.Board		C8855	08S65670Y01		CAP,CER 106KX5R1C-CP
FRONT-P.W.Board		C8861	08S35349Y17		CAP,CER 225K-B0J -CP
FRONT-P.W.Board		C8862	08S45676W85		CAP,CER 104K-B1C -CP
FRONT-P.W.Board		C8872	08S65670Y01		CAP,CER 106KX5R1C-CP
FRONT-P.W.Board		C8873	08S65670Y01		CAP,CER 106KX5R1C-CP
FRONT-P.W.Board		C8874	08S45676W80		CAP,CER 223K-B1E -CP
FRONT-P.W.Board		C8875	08S45676W65		CAP,CER.222K-B1H -CP

Model Code
IVA-W505

NOTE:The part that has not PART NUMBER will not be supplied.

P.W.Board	MIS	MODEL	Ref.	Parts No.	Parts Name
FRONT-P.W.Board		C8882		08S65670Y01	CAP,CER 106KX5R1C-CP
FRONT-P.W.Board		C8883		08S65670Y01	CAP,CER 106KX5R1C-CP
FRONT-P.W.Board		C8884		08S45676W80	CAP,CER 223K-B1E -CP
FRONT-P.W.Board		C8885		08S45676W65	CAP,CER.222K-B1H -CP
FRONT-P.W.Board		C8891		08S65670Y01	CAP,CER 106KX5R1C-CP
FRONT-P.W.Board		C8892		08S65668Y04	CAP,CER 104KX5R1A-CP
FRONT-P.W.Board		C8893		08S65670Y01	CAP,CER 106KX5R1C-CP
FRONT-P.W.Board		C8901		08S65674Y05	CAP,CER 105KX5R1C-CP
FRONT-P.W.Board		C8902		08S45676W85	CAP,CER 104K-B1C -CP
FRONT-P.W.Board		C8903		08S45676W85	CAP,CER 104K-B1C -CP
FRONT-P.W.Board		C8904		08S65674Y05	CAP,CER 105KX5R1C-CP
FRONT-P.W.Board		C8905		08S45676W85	CAP,CER 104K-B1C -CP
FRONT-P.W.Board		C8906		08S65670Y01	CAP,CER 106KX5R1C-CP
FRONT-P.W.Board		C8951		08S65670Y01	CAP,CER 106KX5R1C-CP
FRONT-P.W.Board		C8952		08S45676W85	CAP,CER 104K-B1C -CP
FRONT-P.W.Board		C8953		08S65668Y04	CAP,CER 104KX5R1A-CP
FRONT-P.W.Board		C8954		08S65668Y04	CAP,CER 104KX5R1A-CP
FRONT-P.W.Board		C8955		08S65668Y04	CAP,CER 104KX5R1A-CP
FRONT-P.W.Board		C8956		08S65668Y04	CAP,CER 104KX5R1A-CP
FRONT-P.W.Board		C8957		08S65668Y04	CAP,CER 104KX5R1A-CP
FRONT-P.W.Board		C8958		08S65668Y04	CAP,CER 104KX5R1A-CP
FRONT-P.W.Board		C8959		08S65668Y04	CAP,CER 104KX5R1A-CP
FRONT-P.W.Board		C8960		08S65668Y04	CAP,CER 104KX5R1A-CP
FRONT-P.W.Board		C8961		08S65668Y04	CAP,CER 104KX5R1A-CP
FRONT-P.W.Board		C8963		08S45676W85	CAP,CER 104K-B1C -CP
FRONT-P.W.Board		C8981		08S65675Y02	CAP,CER 106KX5R1E-E2
FRONT-P.W.Board		C8982		08S65670Y01	CAP,CER 106KX5R1C-CP
FRONT-P.W.Board		C8983		08S65670Y01	CAP,CER 106KX5R1C-CP
FRONT-P.W.Board		C8984		08S35350Y04	CAP,CER 105K-B1C -CP
FRONT-P.W.Board		C8985		08S45677W52	CAP,CER 471J-CH1H-CP
FRONT-P.W.Board		C8987		08S65128F88	CAP,CER 104K-B1H -CP
FRONT-P.W.Board		C8988		08S45676W80	CAP,CER 223K-B1E -CP
FRONT-P.W.Board		CB8001		09T85454W07	WTB,53398-0790 -E9
FRONT-P.W.Board		CB8101		09-04261Z02	FFC,FH28-60S-0.5 -EZ
FRONT-P.W.Board		CB8151		09T45507Y13	FFC,IMSA9631S-13Y-E9
FRONT-P.W.Board		CB8201		09-05209Z01	FFC,IMSA9617S-04Y-E9
FRONT-P.W.Board		CB8901		09-12780Z01	FFC,IMSA9637S-50Y-EQ
FRONT-P.W.Board		CB8981		09-06127Z02	WTB,S2B-PH-SM4-TB-E6
FRONT-P.W.Board		D8001		48T45701Y01	DIO,MA2S728-TX -CP
FRONT-P.W.Board		D8002		48T45701Y01	DIO,MA2S728-TX -CP
FRONT-P.W.Board		E8001		23T65679Y07	CAP,CD 82R-0G -E2
FRONT-P.W.Board		IC8001		53-12326Z80	OFL,V099ARAAL703A_F
FRONT-P.W.Board		IC8301		51-11418Z01	DT018054S -BT
FRONT-P.W.Board		IC8401		51-12283Z01	ADV7401BSTZ-80 -QT
FRONT-P.W.Board		IC8501		51-11598Z01	TW8806XXPB2-GR -QT
FRONT-P.W.Board		IC8572		51T75166Y01	TC74VHC157FT-EL -SE5
FRONT-P.W.Board		IC8573		51T75166Y01	TC74VHC157FT-EL -SE5

Model Code
IVA-W505

NOTE:The part that has not PART NUMBER will not be supplied.

P.W.Board	MIS	MODEL	Ref.	Parts No.	Parts Name
FRONT-P.W.Board		IC8574	51T75166Y01	TC74VHC157FT-EL -SE5	
FRONT-P.W.Board		IC8575	51T75166Y01	TC74VHC157FT-EL -SE5	
FRONT-P.W.Board		IC8576	51T75166Y01	TC74VHC157FT-EL -SE5	
FRONT-P.W.Board		IC8601	51-10189Z01	LC74736PT -QT	
FRONT-P.W.Board		IC8602	53-13943Z08	OFL,V2.00W505_A_ROM	
FRONT-P.W.Board		IC8701	51-12402Z01	S2D13746B01B600 -BT	
FRONT-P.W.Board		IC8702	51T55336Y01	TC7SH04FU-TE85L -CP	
FRONT-P.W.Board		IC8801	51-11439Z01	LT3487EDD -CE2	
FRONT-P.W.Board		IC8802	51T25259Y03	BA00ASFP-E2 -NE5	
FRONT-P.W.Board		IC8851	51T75222Y02	BA033CC0WFP-E2 -NE5	
FRONT-P.W.Board		IC8861	51-06963Z01	NJU7741F15-TE1 -CP	
FRONT-P.W.Board		IC8871	51T75516Y01	BA30BC0FP-E2 -NE5	
FRONT-P.W.Board		IC8881	51-05862Z04	NJM2845DL1-18-TE1NE5	
FRONT-P.W.Board		IC8891	51T15605Y01	NJM2130F-TE1 -CP	
FRONT-P.W.Board		IC8981	51-11270Z01	LT3478EFE -SE5	
FRONT-P.W.Board		IC8982	51T25183Y02	TC7SET08FU-EL -CP	
FRONT-P.W.Board		L8601	24-06212Z02	FBI,BLM15AG102SH1-CP	
FRONT-P.W.Board		L8602	24-06212Z02	FBI,BLM15AG102SH1-CP	
FRONT-P.W.Board		L8603	24-06212Z02	FBI,BLM15AG102SH1-CP	
FRONT-P.W.Board		L8604	24-06212Z02	FBI,BLM15AG102SH1-CP	
FRONT-P.W.Board		L8801	24-02145Z08	IND,NLCV32T 15RK -CP	
FRONT-P.W.Board		L8802	24-02145Z08	IND,NLCV32T 15RK -CP	
FRONT-P.W.Board		L8803	24-02145Z07	IND,NLCV32T 10RK -CP	
FRONT-P.W.Board		L8981	24-05548Z10	IND,SLF7045-H22RM-E6	
FRONT-P.W.Board		L8982	24-05548Z08	IND,SLF7045-H10RM-E6	
FRONT-P.W.Board		Q8151	48T63788F01	TR,2SD1328-TX -CP	
FRONT-P.W.Board		Q8152	48T64222F11	TR,UN221F-TX -CP	
FRONT-P.W.Board		Q8201	48T64221F02	TR,UN2112 22-22-TXCP	
FRONT-P.W.Board		Q8202	48T52439F01	TR,2SD602A-RS-TX -CP	
FRONT-P.W.Board		Q8203	48T52439F01	TR,2SD602A-RS-TX -CP	
FRONT-P.W.Board		Q8204	48-09581Z03	TR,KTA1505S-Y-RTK-CP	
FRONT-P.W.Board		Q8205	48-09581Z03	TR,KTA1505S-Y-RTK-CP	
FRONT-P.W.Board		Q8571	48T64222F01	TR,UN2211 10-10-TXCP	
FRONT-P.W.Board		Q8801	48T73022F01	TR ,2SB766A -E2	
FRONT-P.W.Board		Q8802	48T45594W12	TR ,XN1A312 -TX-CP	
FRONT-P.W.Board		Q8803	48T45594W12	TR ,XN1A312 -TX-CP	
FRONT-P.W.Board		Q8804	48-09590Z01	TR,MMBTA06-RTK -CP	
FRONT-P.W.Board		Q8805	48-04982Z03	TR,KRC403-RTK -CP	
FRONT-P.W.Board		Q8981	48-09309Z01	FET,RSQ045N03-TR -CP	
FRONT-P.W.Board		R8000	06S55366Y06	RES,RK 473J 1/10 -CP	
FRONT-P.W.Board		R8001	06S55365Y41	RES,RK 101J 1/10 -CP	
FRONT-P.W.Board		R8002	06S55365Y41	RES,RK 101J 1/10 -CP	
FRONT-P.W.Board		R8003	06S55365Y41	RES,RK 101J 1/10 -CP	
FRONT-P.W.Board		R8004	06S55365Y41	RES,RK 101J 1/10 -CP	
FRONT-P.W.Board		R8005	06S55365Y41	RES,RK 101J 1/10 -CP	
FRONT-P.W.Board		R8006	06S55365Y41	RES,RK 101J 1/10 -CP	
FRONT-P.W.Board		R8007	06S55365Y41	RES,RK 101J 1/10 -CP	

Model Code
IVA-W505

NOTE:The part that has not PART NUMBER will not be supplied.

P.W.Board	MIS	MODEL	Ref.	Parts No.	Parts Name
FRONT-P.W.Board		R8008		06S55365Y41	RES,RK 101J 1/10 -CP
FRONT-P.W.Board		R8009		06S55365Y41	RES,RK 101J 1/10 -CP
FRONT-P.W.Board		R8010		06S55365Y41	RES,RK 101J 1/10 -CP
FRONT-P.W.Board		R8011		06S55365Y41	RES,RK 101J 1/10 -CP
FRONT-P.W.Board		R8012		06S55365Y41	RES,RK 101J 1/10 -CP
FRONT-P.W.Board		R8013		06S55365Y41	RES,RK 101J 1/10 -CP
FRONT-P.W.Board		R8014		06S55365Y41	RES,RK 101J 1/10 -CP
FRONT-P.W.Board		R8015		06S55365Y41	RES,RK 101J 1/10 -CP
FRONT-P.W.Board		R8016		06S55365Y41	RES,RK 101J 1/10 -CP
FRONT-P.W.Board		R8017		06S55365Y65	RES,RK 102J 1/10 -CP
FRONT-P.W.Board		R8018		06S55365Y41	RES,RK 101J 1/10 -CP
FRONT-P.W.Board		R8020		06S55365Y89	RES,RK 103J 1/10 -CP
FRONT-P.W.Board		R8021		06S55366Y02	RES,RK 333J 1/10 -CP
FRONT-P.W.Board		R8022		06S55365Y41	RES,RK 101J 1/10 -CP
FRONT-P.W.Board		R8023		06S55365Y41	RES,RK 101J 1/10 -CP
FRONT-P.W.Board		R8024		06S55365Y41	RES,RK 101J 1/10 -CP
FRONT-P.W.Board		R8025		06S55365Y41	RES,RK 101J 1/10 -CP
FRONT-P.W.Board		R8026		06S45674W33	RES,RK 101J 1/10 -CP
FRONT-P.W.Board		R8027		06S15593Y49	RES,RK 102F 1/10 -CP
FRONT-P.W.Board		R8028		06S55365Y97	RES,RK 223J 1/10 -CP
FRONT-P.W.Board		R8029		06S15593Y71	RES,RK 822F 1/10 -CP
FRONT-P.W.Board		R8030		06S55365Y41	RES,RK 101J 1/10 -CP
FRONT-P.W.Board		R8031		06S55365Y83	RES,RK 562J 1/10 -CP
FRONT-P.W.Board		R8032		06S55365Y83	RES,RK 562J 1/10 -CP
FRONT-P.W.Board		R8033		06S55365Y41	RES,RK 101J 1/10 -CP
FRONT-P.W.Board		R8034		06S55365Y41	RES,RK 101J 1/10 -CP
FRONT-P.W.Board		R8035		06S55366Y39	RES,RK JUMPER1/10-CP
FRONT-P.W.Board		R8036		06S55365Y41	RES,RK 101J 1/10 -CP
FRONT-P.W.Board		R8037		06S55365Y41	RES,RK 101J 1/10 -CP
FRONT-P.W.Board		R8038		06S55365Y41	RES,RK 101J 1/10 -CP
FRONT-P.W.Board		R8039		06S55365Y41	RES,RK 101J 1/10 -CP
FRONT-P.W.Board		R8040		06S55365Y41	RES,RK 101J 1/10 -CP
FRONT-P.W.Board		R8041		06S55365Y41	RES,RK 101J 1/10 -CP
FRONT-P.W.Board		R8042		06S55365Y41	RES,RK 101J 1/10 -CP
FRONT-P.W.Board		R8043		06S55365Y41	RES,RK 101J 1/10 -CP
FRONT-P.W.Board		R8044		06S55366Y39	RES,RK JUMPER1/10-CP
FRONT-P.W.Board		R8045		06S55366Y39	RES,RK JUMPER1/10-CP
FRONT-P.W.Board		R8046		06S55365Y41	RES,RK 101J 1/10 -CP
FRONT-P.W.Board		R8047		06S55365Y41	RES,RK 101J 1/10 -CP
FRONT-P.W.Board		R8048		06S55365Y41	RES,RK 101J 1/10 -CP
FRONT-P.W.Board		R8054		06S55366Y06	RES,RK 473J 1/10 -CP
FRONT-P.W.Board		R8055		06S55366Y06	RES,RK 473J 1/10 -CP
FRONT-P.W.Board		R8056		06S55366Y06	RES,RK 473J 1/10 -CP
FRONT-P.W.Board		R8057		06S55366Y06	RES,RK 473J 1/10 -CP
FRONT-P.W.Board		R8058		06S55366Y06	RES,RK 473J 1/10 -CP
FRONT-P.W.Board		R8059		06S55366Y06	RES,RK 473J 1/10 -CP
FRONT-P.W.Board		R8060		06S55366Y06	RES,RK 473J 1/10 -CP

Model Code
IVA-W505

NOTE:The part that has not PART NUMBER will not be supplied.

P.W.Board	MIS	MODEL	Ref.	Parts No.	Parts Name
FRONT-P.W.Board		R8061		06S55366Y06	RES,RK 473J 1/10 -CP
FRONT-P.W.Board		R8067		06S55365Y41	RES,RK 101J 1/10 -CP
FRONT-P.W.Board		R8068		06S55365Y41	RES,RK 101J 1/10 -CP
FRONT-P.W.Board		R8069		06S55366Y06	RES,RK 473J 1/10 -CP
FRONT-P.W.Board		R8151		06S45674W49	RES,RK 471J 1/10 -CP
FRONT-P.W.Board		R8152		06S45674W81	RES,RK 103J 1/10 -CP
FRONT-P.W.Board		R8154		06S55365Y41	RES,RK 101J 1/10 -CP
FRONT-P.W.Board		R8201		06S15593Y97	RES,RK 104F 1/10 -CP
FRONT-P.W.Board		R8202		06S15593Y97	RES,RK 104F 1/10 -CP
FRONT-P.W.Board		R8203		06S45674W81	RES,RK 103J 1/10 -CP
FRONT-P.W.Board		R8204		06S45674W81	RES,RK 103J 1/10 -CP
FRONT-P.W.Board		R8205		06S45674W81	RES,RK 103J 1/10 -CP
FRONT-P.W.Board		R8206		06S45674W81	RES,RK 103J 1/10 -CP
FRONT-P.W.Board		R8207		06S15593Y57	RES,RK 222F 1/10 -CP
FRONT-P.W.Board		R8208		06S15593Y57	RES,RK 222F 1/10 -CP
FRONT-P.W.Board		R8209		06S15593Y57	RES,RK 222F 1/10 -CP
FRONT-P.W.Board		R8210		06S15593Y57	RES,RK 222F 1/10 -CP
FRONT-P.W.Board		R8211		06S15593Y65	RES,RK 472F 1/10 -CP
FRONT-P.W.Board		R8212		06S15593Y65	RES,RK 472F 1/10 -CP
FRONT-P.W.Board		R8213		06S15593Y25	RES,RK 101F 1/10 -CP
FRONT-P.W.Board		R8214		06S15593Y25	RES,RK 101F 1/10 -CP
FRONT-P.W.Board		R8215		06S15593Y09	RES,RK 22RF 1/10 -CP
FRONT-P.W.Board		R8216		06S15593Y01	RES,RK 10RF 1/10 -CP
FRONT-P.W.Board		R8301		06S45675W43	RES,RK JUMPER1/10-CP
FRONT-P.W.Board		R8303		06S45675W43	RES,RK JUMPER1/10-CP
FRONT-P.W.Board		R8304		06S45675W43	RES,RK JUMPER1/10-CP
FRONT-P.W.Board		R8305		06S45675W43	RES,RK JUMPER1/10-CP
FRONT-P.W.Board		R8306		06S55365Y89	RES,RK 103J 1/10 -CP
FRONT-P.W.Board		R8307		06S55365Y89	RES,RK 103J 1/10 -CP
FRONT-P.W.Board		R8308		06S55365Y89	RES,RK 103J 1/10 -CP
FRONT-P.W.Board		R8309		06S55365Y89	RES,RK 103J 1/10 -CP
FRONT-P.W.Board		R8310		06S55365Y89	RES,RK 103J 1/10 -CP
FRONT-P.W.Board		R8311		06S55365Y89	RES,RK 103J 1/10 -CP
FRONT-P.W.Board		R8312		06S55365Y89	RES,RK 103J 1/10 -CP
FRONT-P.W.Board		R8313		06S55365Y89	RES,RK 103J 1/10 -CP
FRONT-P.W.Board		R8314		06S45675W43	RES,RK JUMPER1/10-CP
FRONT-P.W.Board		R8316		06S15615Y25	RES,RK 101J 1/16 -CP
FRONT-P.W.Board		R8317		06S15615Y25	RES,RK 101J 1/16 -CP
FRONT-P.W.Board		R8318		06S15615Y13	RES,RK 33RJ 1/16 -CP
FRONT-P.W.Board		R8319		06S15615Y13	RES,RK 33RJ 1/16 -CP
FRONT-P.W.Board		R8320		06S15615Y13	RES,RK 33RJ 1/16 -CP
FRONT-P.W.Board		R8321		06S15615Y13	RES,RK 33RJ 1/16 -CP
FRONT-P.W.Board		R8322		06S15615Y13	RES,RK 33RJ 1/16 -CP
FRONT-P.W.Board		R8323		06S15615Y13	RES,RK 33RJ 1/16 -CP
FRONT-P.W.Board		R8324		06S55365Y89	RES,RK 103J 1/10 -CP
FRONT-P.W.Board		R8325		06S55365Y89	RES,RK 103J 1/10 -CP
FRONT-P.W.Board		R8326		06S55365Y89	RES,RK 103J 1/10 -CP

Model Code
IVA-W505

NOTE:The part that has not PART NUMBER will not be supplied.

P.W.Board	MIS	MODEL	Ref.	Parts No.	Parts Name
FRONT-P.W.Board		R8327		06S55365Y89	RES,RK 103J 1/10 -CP
FRONT-P.W.Board		R8328		06S55365Y89	RES,RK 103J 1/10 -CP
FRONT-P.W.Board		R8329		06S55365Y89	RES,RK 103J 1/10 -CP
FRONT-P.W.Board		R8330		06S55365Y89	RES,RK 103J 1/10 -CP
FRONT-P.W.Board		R8331		06S55365Y89	RES,RK 103J 1/10 -CP
FRONT-P.W.Board		R8332		06S55365Y89	RES,RK 103J 1/10 -CP
FRONT-P.W.Board		R8333		06S55365Y89	RES,RK 103J 1/10 -CP
FRONT-P.W.Board		R8334		06S55365Y89	RES,RK 103J 1/10 -CP
FRONT-P.W.Board		R8335		06S15616Y23	RES,RK JUMPER1/16-CP
FRONT-P.W.Board		R8336		06S15616Y23	RES,RK JUMPER1/16-CP
FRONT-P.W.Board		R8337		06S15616Y23	RES,RK JUMPER1/16-CP
FRONT-P.W.Board		R8338		06S15616Y23	RES,RK JUMPER1/16-CP
FRONT-P.W.Board		R8339		06S15616Y23	RES,RK JUMPER1/16-CP
FRONT-P.W.Board		R8340		06S15616Y23	RES,RK JUMPER1/16-CP
FRONT-P.W.Board		R8341		06S15616Y23	RES,RK JUMPER1/16-CP
FRONT-P.W.Board		R8342		06S15616Y23	RES,RK JUMPER1/16-CP
FRONT-P.W.Board		R8401		06S15615Y37	RES,RK 331J 1/16 -CP
FRONT-P.W.Board		R8418		06S15615Y25	RES,RK 101J 1/16 -CP
FRONT-P.W.Board		R8423		06S15615Y25	RES,RK 101J 1/16 -CP
FRONT-P.W.Board		R8424		06S15615Y25	RES,RK 101J 1/16 -CP
FRONT-P.W.Board		R8425		06S15615Y25	RES,RK 101J 1/16 -CP
FRONT-P.W.Board		R8426		06S15615Y25	RES,RK 101J 1/16 -CP
FRONT-P.W.Board		R8427		06S15615Y25	RES,RK 101J 1/16 -CP
FRONT-P.W.Board		R8429		06S65415Y30	RES,RK 272F 1/16 -CP
FRONT-P.W.Board		R8430		06S65415Y30	RES,RK 272F 1/16 -CP
FRONT-P.W.Board		R8431		06S45674W47	RES,RK 391J 1/10 -CP
FRONT-P.W.Board		R8432		06S15615Y67	RES,RK 562J 1/16 -CP
FRONT-P.W.Board		R8433		06S55365Y68	RES,RK 132J 1/10 -CP
FRONT-P.W.Board		R8434		06S55365Y89	RES,RK 103J 1/10 -CP
FRONT-P.W.Board		R8435		06S55365Y89	RES,RK 103J 1/10 -CP
FRONT-P.W.Board		R8436		06S55365Y89	RES,RK 103J 1/10 -CP
FRONT-P.W.Board		R8437		06S55365Y89	RES,RK 103J 1/10 -CP
FRONT-P.W.Board		R8438		06S55365Y89	RES,RK 103J 1/10 -CP
FRONT-P.W.Board		R8439		06S55365Y89	RES,RK 103J 1/10 -CP
FRONT-P.W.Board		R8440		06S55365Y89	RES,RK 103J 1/10 -CP
FRONT-P.W.Board		R8441		06S55365Y89	RES,RK 103J 1/10 -CP
FRONT-P.W.Board		R8442		06S55365Y89	RES,RK 103J 1/10 -CP
FRONT-P.W.Board		R8443		06S55365Y89	RES,RK 103J 1/10 -CP
FRONT-P.W.Board		R8444		06S15616Y22	RES,RK 105J 1/16 -CP
FRONT-P.W.Board		R8445		06S55365Y89	RES,RK 103J 1/10 -CP
FRONT-P.W.Board		R8446		06S15615Y13	RES,RK 33RJ 1/16 -CP
FRONT-P.W.Board		R8447		06S15615Y13	RES,RK 33RJ 1/16 -CP
FRONT-P.W.Board		R8448		06S15615Y13	RES,RK 33RJ 1/16 -CP
FRONT-P.W.Board		R8449		06S15615Y13	RES,RK 33RJ 1/16 -CP
FRONT-P.W.Board		R8450		06S15615Y13	RES,RK 33RJ 1/16 -CP
FRONT-P.W.Board		R8451		06S15615Y13	RES,RK 33RJ 1/16 -CP
FRONT-P.W.Board		R8452		06S15615Y13	RES,RK 33RJ 1/16 -CP

Model Code
IVA-W505

NOTE:The part that has not PART NUMBER will not be supplied.

P.W.Board	MIS	MODEL	Ref.	Parts No.	Parts Name
FRONT-P.W.Board		R8453		06S15615Y13	RES,RK 33RJ 1/16 -CP
FRONT-P.W.Board		R8454		06S15615Y13	RES,RK 33RJ 1/16 -CP
FRONT-P.W.Board		R8455		06S15615Y13	RES,RK 33RJ 1/16 -CP
FRONT-P.W.Board		R8456		06S15615Y13	RES,RK 33RJ 1/16 -CP
FRONT-P.W.Board		R8457		06S15615Y13	RES,RK 33RJ 1/16 -CP
FRONT-P.W.Board		R8458		06S15593Y63	RES,RK 392F 1/10 -CP
FRONT-P.W.Board		R8459		06S15593Y51	RES,RK 122F 1/10 -CP
FRONT-P.W.Board		R8501		06S15616Y23	RES,RK JUMPER1/16-CP
FRONT-P.W.Board		R8502		06S15616Y23	RES,RK JUMPER1/16-CP
FRONT-P.W.Board		R8503		06S15616Y23	RES,RK JUMPER1/16-CP
FRONT-P.W.Board		R8504		06S15616Y23	RES,RK JUMPER1/16-CP
FRONT-P.W.Board		R8505		06S15616Y23	RES,RK JUMPER1/16-CP
FRONT-P.W.Board		R8506		06S15616Y23	RES,RK JUMPER1/16-CP
FRONT-P.W.Board		R8507		06S15616Y23	RES,RK JUMPER1/16-CP
FRONT-P.W.Board		R8508		06S15616Y23	RES,RK JUMPER1/16-CP
FRONT-P.W.Board		R8509		06S15616Y23	RES,RK JUMPER1/16-CP
FRONT-P.W.Board		R8510		06S15616Y23	RES,RK JUMPER1/16-CP
FRONT-P.W.Board		R8511		06S15616Y23	RES,RK JUMPER1/16-CP
FRONT-P.W.Board		R8512		06S15616Y23	RES,RK JUMPER1/16-CP
FRONT-P.W.Board		R8513		06S15616Y23	RES,RK JUMPER1/16-CP
FRONT-P.W.Board		R8514		06S15616Y23	RES,RK JUMPER1/16-CP
FRONT-P.W.Board		R8515		06S15616Y23	RES,RK JUMPER1/16-CP
FRONT-P.W.Board		R8522		06S15615Y13	RES,RK 33RJ 1/16 -CP
FRONT-P.W.Board		R8523		06S15616Y22	RES,RK 105J 1/16 -CP
FRONT-P.W.Board		R8524		06S15615Y13	RES,RK 33RJ 1/16 -CP
FRONT-P.W.Board		R8525		06S15615Y13	RES,RK 33RJ 1/16 -CP
FRONT-P.W.Board		R8526		06S15615Y13	RES,RK 33RJ 1/16 -CP
FRONT-P.W.Board		R8530		06S15615Y53	RES,RK 152J 1/16 -CP
FRONT-P.W.Board		R8531		06S15615Y13	RES,RK 33RJ 1/16 -CP
FRONT-P.W.Board		R8532		06S15615Y25	RES,RK 101J 1/16 -CP
FRONT-P.W.Board		R8533		06S15615Y25	RES,RK 101J 1/16 -CP
FRONT-P.W.Board		R8534		06S45675W43	RES,RK JUMPER1/10-CP
FRONT-P.W.Board		R8537		06S15615Y13	RES,RK 33RJ 1/16 -CP
FRONT-P.W.Board		R8538		06S15615Y13	RES,RK 33RJ 1/16 -CP
FRONT-P.W.Board		R8539		06S15615Y13	RES,RK 33RJ 1/16 -CP
FRONT-P.W.Board		R8540		06S15615Y13	RES,RK 33RJ 1/16 -CP
FRONT-P.W.Board		R8544		06S15615Y13	RES,RK 33RJ 1/16 -CP
FRONT-P.W.Board		R8545		06S15615Y13	RES,RK 33RJ 1/16 -CP
FRONT-P.W.Board		R8546		06S15615Y25	RES,RK 101J 1/16 -CP
FRONT-P.W.Board		R8547		06S15615Y13	RES,RK 33RJ 1/16 -CP
FRONT-P.W.Board		R8548		06S45675W43	RES,RK JUMPER1/10-CP
FRONT-P.W.Board		R8549		06S45675W43	RES,RK JUMPER1/10-CP
FRONT-P.W.Board		R8550		06S45675W43	RES,RK JUMPER1/10-CP
FRONT-P.W.Board		R8552		06S55365Y89	RES,RK 103J 1/10 -CP
FRONT-P.W.Board		R8553		06S55365Y89	RES,RK 103J 1/10 -CP
FRONT-P.W.Board		R8556		06S15615Y13	RES,RK 33RJ 1/16 -CP
FRONT-P.W.Board		R8564		06S15616Y23	RES,RK JUMPER1/16-CP

Model Code
IVA-W505

NOTE:The part that has not PART NUMBER will not be supplied.

P.W.Board	MIS	MODEL	Ref.	Parts No.	Parts Name
FRONT-P.W.Board		R8565		06S15615Y13	RES,RK 33RJ 1/16 -CP
FRONT-P.W.Board		R8571		06S15616Y23	RES,RK JUMPER1/16-CP
FRONT-P.W.Board		R8572		06S15616Y23	RES,RK JUMPER1/16-CP
FRONT-P.W.Board		R8573		06S15616Y23	RES,RK JUMPER1/16-CP
FRONT-P.W.Board		R8574		06S15616Y23	RES,RK JUMPER1/16-CP
FRONT-P.W.Board		R8575		06S15616Y23	RES,RK JUMPER1/16-CP
FRONT-P.W.Board		R8576		06S15616Y23	RES,RK JUMPER1/16-CP
FRONT-P.W.Board		R8577		06S15616Y23	RES,RK JUMPER1/16-CP
FRONT-P.W.Board		R8578		06S15616Y23	RES,RK JUMPER1/16-CP
FRONT-P.W.Board		R8579		06S15616Y23	RES,RK JUMPER1/16-CP
FRONT-P.W.Board		R8580		06S15616Y23	RES,RK JUMPER1/16-CP
FRONT-P.W.Board		R8581		06S15616Y23	RES,RK JUMPER1/16-CP
FRONT-P.W.Board		R8582		06S15616Y23	RES,RK JUMPER1/16-CP
FRONT-P.W.Board		R8583		06S15616Y23	RES,RK JUMPER1/16-CP
FRONT-P.W.Board		R8584		06S55365Y97	RES,RK 223J 1/10 -CP
FRONT-P.W.Board		R8585		06S15615Y25	RES,RK 101J 1/16 -CP
FRONT-P.W.Board		R8587		06S15594Y23	RES,RK JUMPER1/10-CP
FRONT-P.W.Board		R8588		06S15594Y23	RES,RK JUMPER1/10-CP
FRONT-P.W.Board		R8605		06S45675W43	RES,RK JUMPER1/10-CP
FRONT-P.W.Board		R8607		06S15616Y23	RES,RK JUMPER1/16-CP
FRONT-P.W.Board		R8608		06S15616Y23	RES,RK JUMPER1/16-CP
FRONT-P.W.Board		R8609		06S15616Y23	RES,RK JUMPER1/16-CP
FRONT-P.W.Board		R8610		06S15616Y23	RES,RK JUMPER1/16-CP
FRONT-P.W.Board		R8611		06S15616Y23	RES,RK JUMPER1/16-CP
FRONT-P.W.Board		R8612		06S15616Y23	RES,RK JUMPER1/16-CP
FRONT-P.W.Board		R8613		06S15616Y23	RES,RK JUMPER1/16-CP
FRONT-P.W.Board		R8614		06S15616Y23	RES,RK JUMPER1/16-CP
FRONT-P.W.Board		R8615		06S15616Y23	RES,RK JUMPER1/16-CP
FRONT-P.W.Board		R8616		06S15616Y23	RES,RK JUMPER1/16-CP
FRONT-P.W.Board		R8617		06S15616Y23	RES,RK JUMPER1/16-CP
FRONT-P.W.Board		R8618		06S15616Y23	RES,RK JUMPER1/16-CP
FRONT-P.W.Board		R8619		06S15616Y23	RES,RK JUMPER1/16-CP
FRONT-P.W.Board		R8620		06S55366Y06	RES,RK 473J 1/10 -CP
FRONT-P.W.Board		R8621		06S15615Y25	RES,RK 101J 1/16 -CP
FRONT-P.W.Board		R8622		06S15615Y25	RES,RK 101J 1/16 -CP
FRONT-P.W.Board		R8623		06S15615Y25	RES,RK 101J 1/16 -CP
FRONT-P.W.Board		R8624		06S15615Y25	RES,RK 101J 1/16 -CP
FRONT-P.W.Board		R8625		06S15615Y13	RES,RK 33RJ 1/16 -CP
FRONT-P.W.Board		R8627		06S15616Y23	RES,RK JUMPER1/16-CP
FRONT-P.W.Board		R8628		06S15616Y23	RES,RK JUMPER1/16-CP
FRONT-P.W.Board		R8629		06S55366Y39	RES,RK JUMPER1/10-CP
FRONT-P.W.Board		R8631		06S15615Y25	RES,RK 101J 1/16 -CP
FRONT-P.W.Board		R8634		06S15616Y23	RES,RK JUMPER1/16-CP
FRONT-P.W.Board		R8635		06S15616Y23	RES,RK JUMPER1/16-CP
FRONT-P.W.Board		R8701		06S55361Y30	RES,RK 36RJ 1/4 -CP
FRONT-P.W.Board		R8702		06S15594Y22	RES,RK 105F 1/10 -CP
FRONT-P.W.Board		R8703		06S45675W43	RES,RK JUMPER1/10-CP

Model Code
IVA-W505

NOTE:The part that has not PART NUMBER will not be supplied.

P.W.Board	MIS	MODEL	Ref.	Parts No.	Parts Name
FRONT-P.W.Board		R8704		06S45675W43	RES,RK JUMPER1/10-CP
FRONT-P.W.Board		R8705		06S45675W43	RES,RK JUMPER1/10-CP
FRONT-P.W.Board		R8706		06S45675W43	RES,RK JUMPER1/10-CP
FRONT-P.W.Board		R8707		06S45675W43	RES,RK JUMPER1/10-CP
FRONT-P.W.Board		R8708		06S45675W43	RES,RK JUMPER1/10-CP
FRONT-P.W.Board		R8709		06S45675W43	RES,RK JUMPER1/10-CP
FRONT-P.W.Board		R8710		06S45675W43	RES,RK JUMPER1/10-CP
FRONT-P.W.Board		R8711		06S45675W43	RES,RK JUMPER1/10-CP
FRONT-P.W.Board		R8712		06S45675W43	RES,RK JUMPER1/10-CP
FRONT-P.W.Board		R8713		06S45675W43	RES,RK JUMPER1/10-CP
FRONT-P.W.Board		R8714		06S45675W43	RES,RK JUMPER1/10-CP
FRONT-P.W.Board		R8715		06S45675W43	RES,RK JUMPER1/10-CP
FRONT-P.W.Board		R8716		06S45675W43	RES,RK JUMPER1/10-CP
FRONT-P.W.Board		R8717		06S55365Y41	RES,RK 101J 1/10 -CP
FRONT-P.W.Board		R8718		06S55365Y41	RES,RK 101J 1/10 -CP
FRONT-P.W.Board		R8719		06S55365Y41	RES,RK 101J 1/10 -CP
FRONT-P.W.Board		R8720		06S55365Y41	RES,RK 101J 1/10 -CP
FRONT-P.W.Board		R8721		06S55362Y39	RES,RK JUMPER 1/4-CP
FRONT-P.W.Board		R8722		06S55366Y06	RES,RK 473J 1/10 -CP
FRONT-P.W.Board		R8723		06S15616Y23	RES,RK JUMPER1/16-CP
FRONT-P.W.Board		R8724		06S65415Y27	RES,RK 152F 1/16 -CP
FRONT-P.W.Board		R8725		06S15615Y89	RES,RK 473J 1/16 -CP
FRONT-P.W.Board		R8726		06S15615Y89	RES,RK 473J 1/16 -CP
FRONT-P.W.Board		R8727		06S15615Y89	RES,RK 473J 1/16 -CP
FRONT-P.W.Board		R8728		06S15615Y89	RES,RK 473J 1/16 -CP
FRONT-P.W.Board		R8729		06S15615Y89	RES,RK 473J 1/16 -CP
FRONT-P.W.Board		R8730		06S15615Y89	RES,RK 473J 1/16 -CP
FRONT-P.W.Board		R8731		06S15615Y89	RES,RK 473J 1/16 -CP
FRONT-P.W.Board		R8732		06S15615Y89	RES,RK 473J 1/16 -CP
FRONT-P.W.Board		R8733		06S15615Y89	RES,RK 473J 1/16 -CP
FRONT-P.W.Board		R8734		06S15615Y89	RES,RK 473J 1/16 -CP
FRONT-P.W.Board		R8735		06S15615Y89	RES,RK 473J 1/16 -CP
FRONT-P.W.Board		R8736		06S15615Y89	RES,RK 473J 1/16 -CP
FRONT-P.W.Board		R8737		06S15615Y89	RES,RK 473J 1/16 -CP
FRONT-P.W.Board		R8738		06S15615Y89	RES,RK 473J 1/16 -CP
FRONT-P.W.Board		R8739		06S15615Y89	RES,RK 473J 1/16 -CP
FRONT-P.W.Board		R8740		06S15615Y89	RES,RK 473J 1/16 -CP
FRONT-P.W.Board		R8741		06S15615Y89	RES,RK 473J 1/16 -CP
FRONT-P.W.Board		R8742		06S15593Y43	RES,RK 561F 1/10 -CP
FRONT-P.W.Board		R8743		06S45675W43	RES,RK JUMPER1/10-CP
FRONT-P.W.Board		R8744		06S45675W43	RES,RK JUMPER1/10-CP
FRONT-P.W.Board		R8745		06S45675W43	RES,RK JUMPER1/10-CP
FRONT-P.W.Board		R8746		06S45675W43	RES,RK JUMPER1/10-CP
FRONT-P.W.Board		R8747		06S45675W43	RES,RK JUMPER1/10-CP
FRONT-P.W.Board		R8801		06S15593Y60	RES,RK 302F 1/10 -CP
FRONT-P.W.Board		R8802		06S15593Y73	RES,RK 103F 1/10 -CP
FRONT-P.W.Board		R8803		06S15594Y08	RES,RK 274F 1/10 -CP

Model Code
IVA-W505

NOTE:The part that has not PART NUMBER will not be supplied.

P.W.Board	MIS	MODEL	Ref.	Parts No.	Parts Name
FRONT-P.W.Board		R8804		06S15593Y81	RES,RK 223F 1/10 -CP
FRONT-P.W.Board		R8805		06S15593Y25	RES,RK 101F 1/10 -CP
FRONT-P.W.Board		R8806		06S15594Y14	RES,RK 474F 1/10 -CP
FRONT-P.W.Board		R8807		06S15593Y95	RES,RK 823F 1/10 -CP
FRONT-P.W.Board		R8808		06S55365Y97	RES,RK 223J 1/10 -CP
FRONT-P.W.Board		R8810		06S55362Y06	RES,RK 473J 1/4 -CP
FRONT-P.W.Board		R8811		06S55365Y81	RES,RK 472J 1/10 -CP
FRONT-P.W.Board		R8812		06S55366Y39	RES,RK JUMPER1/10-CP
FRONT-P.W.Board		R8813		06S55366Y39	RES,RK JUMPER1/10-CP
FRONT-P.W.Board		R8814		06S55365Y99	RES,RK 273J 1/10 -CP
FRONT-P.W.Board		R8815		06S55365Y41	RES,RK 101J 1/10 -CP
FRONT-P.W.Board		R8816		06S45674W81	RES,RK 103J 1/10 -CP
FRONT-P.W.Board		R8851		06S45675W43	RES,RK JUMPER1/10-CP
FRONT-P.W.Board		R8861		06S45675W43	RES,RK JUMPER1/10-CP
FRONT-P.W.Board		R8871		06S45675W43	RES,RK JUMPER1/10-CP
FRONT-P.W.Board		R8881		06S45675W43	RES,RK JUMPER1/10-CP
FRONT-P.W.Board		R8891		06S15593Y74	RES,RK 113F 1/10 -CP
FRONT-P.W.Board		R8892		06S45675W43	RES,RK JUMPER1/10-CP
FRONT-P.W.Board		R8893		06S15593Y69	RES,RK 682F 1/10 -CP
FRONT-P.W.Board		R8894		06S15593Y49	RES,RK 102F 1/10 -CP
FRONT-P.W.Board		R8895		06S55366Y39	RES,RK JUMPER1/10-CP
FRONT-P.W.Board		R8904		06S55366Y39	RES,RK JUMPER1/10-CP
FRONT-P.W.Board		R8907		06S55365Y89	RES,RK 103J 1/10 -CP
FRONT-P.W.Board		R8908		06S15615Y13	RES,RK 33RJ 1/16 -CP
FRONT-P.W.Board		R8909		06S15615Y13	RES,RK 33RJ 1/16 -CP
FRONT-P.W.Board		R8910		06S15616Y23	RES,RK JUMPER1/16-CP
FRONT-P.W.Board		R8951		06S15593Y29	RES,RK 151F 1/10 -CP
FRONT-P.W.Board		R8952		06S15593Y13	RES,RK 33RF 1/10 -CP
FRONT-P.W.Board		R8953		06S15593Y05	RES,RK 15RF 1/10 -CP
FRONT-P.W.Board		R8954		06S15593Y33	RES,RK 221F 1/10 -CP
FRONT-P.W.Board		R8955		06S15593Y38	RES,RK 361F 1/10 -CP
FRONT-P.W.Board		R8956		06S15593Y29	RES,RK 151F 1/10 -CP
FRONT-P.W.Board		R8957		06S15593Y21	RES,RK 68RF 1/10 -CP
FRONT-P.W.Board		R8958		06S15593Y11	RES,RK 27RF 1/10 -CP
FRONT-P.W.Board		R8959		06S15593Y31	RES,RK 181F 1/10 -CP
FRONT-P.W.Board		R8960		06S15593Y42	RES,RK 511F 1/10 -CP
FRONT-P.W.Board		R8961		06S15593Y13	RES,RK 33RF 1/10 -CP
FRONT-P.W.Board		R8962		06S15593Y11	RES,RK 27RF 1/10 -CP
FRONT-P.W.Board		R8963		06S15593Y37	RES,RK 331F 1/10 -CP
FRONT-P.W.Board		R8964		06S45674W02	RES,RK 2R7J 1/10 -CP
FRONT-P.W.Board		R8965		06S15593Y23	RES,RK 82RF 1/10 -CP
FRONT-P.W.Board		R8966		06S15593Y01	RES,RK 10RF 1/10 -CP
FRONT-P.W.Board		R8967		06S15593Y13	RES,RK 33RF 1/10 -CP
FRONT-P.W.Board		R8968		06S15593Y01	RES,RK 10RF 1/10 -CP
FRONT-P.W.Board		R8969		06S15593Y21	RES,RK 68RF 1/10 -CP
FRONT-P.W.Board		R8970		06S15593Y03	RES,RK 12RF 1/10 -CP
FRONT-P.W.Board		R8971		06S15593Y21	RES,RK 68RF 1/10 -CP

Model Code
IVA-W505

NOTE:The part that has not PART NUMBER will not be supplied.

P.W.Board	MIS	MODEL	Ref.	Parts No.	Parts Name
FRONT-P.W.Board		R8972		06S15593Y03	RES,RK 12RF 1/10 -CP
FRONT-P.W.Board		R8976		06S15593Y68	RES,RK 622F 1/10 -CP
FRONT-P.W.Board		R8981		06S15594Y23	RES,RK JUMPER1/10-CP
FRONT-P.W.Board		R8982		06S15593Y93	RES,RK 683F 1/10 -CP
FRONT-P.W.Board		R8984		06S15593Y85	RES,RK 333F 1/10 -CP
FRONT-P.W.Board		R8985		06S65522Y04	RES,RK R18F 1/4 -CP
FRONT-P.W.Board		R8986		06S15593Y76	RES,RK 133F 1/10 -CP
FRONT-P.W.Board		R8987		06S55362Y39	RES,RK JUMPER 1/4-CP
FRONT-P.W.Board		R8989		06S45675W43	RES,RK JUMPER1/10-CP
FRONT-P.W.Board		R8990		06S55365Y41	RES,RK 101J 1/10 -CP
FRONT-P.W.Board		R8991		06S45674W81	RES,RK 103J 1/10 -CP
FRONT-P.W.Board		R8992		06S15593Y73	RES,RK 103F 1/10 -CP
FRONT-P.W.Board		R8993		06S55362Y39	RES,RK JUMPER 1/4-CP
FRONT-P.W.Board		R8994		06S15593Y79	RES,RK 183F 1/10 -CP
FRONT-P.W.Board		R8995		06S15593Y52	RES,RK 132F 1/10 -CP
FRONT-P.W.Board		R8996		06S55365Y41	RES,RK 101J 1/10 -CP
FRONT-P.W.Board		R8997		06S55365Y41	RES,RK 101J 1/10 -CP
FRONT-P.W.Board		R8998		06S55365Y41	RES,RK 101J 1/10 -CP
FRONT-P.W.Board		RA8001		06S45591W07	RES,ARY MNR101J 4-CP
FRONT-P.W.Board		RA8002		06S45591W07	RES,ARY MNR101J 4-CP
FRONT-P.W.Board		RA8003		06S45591W07	RES,ARY MNR101J 4-CP
FRONT-P.W.Board		RA8004		06S45591W07	RES,ARY MNR101J 4-CP
FRONT-P.W.Board		RA8005		06S45591W07	RES,ARY MNR101J 4-CP
FRONT-P.W.Board		RA8301		06S15771Y07	RES,ARYEXB28V33RJ-CP
FRONT-P.W.Board		RA8302		06S15771Y62	RES,ARYEXB28VR000-CP
FRONT-P.W.Board		RA8303		06S15771Y62	RES,ARYEXB28VR000-CP
FRONT-P.W.Board		RA8304		06S15771Y07	RES,ARYEXB28V33RJ-CP
FRONT-P.W.Board		RA8307		06S15771Y07	RES,ARYEXB28V33RJ-CP
FRONT-P.W.Board		RA8308		06S15771Y07	RES,ARYEXB28V33RJ-CP
FRONT-P.W.Board		RA8403		06S15771Y07	RES,ARYEXB28V33RJ-CP
FRONT-P.W.Board		RA8501		06S15771Y07	RES,ARYEXB28V33RJ-CP
FRONT-P.W.Board		RA8502		06S15771Y07	RES,ARYEXB28V33RJ-CP
FRONT-P.W.Board		RA8503		06S15771Y07	RES,ARYEXB28V33RJ-CP
FRONT-P.W.Board		RA8504		06S15771Y07	RES,ARYEXB28V33RJ-CP
FRONT-P.W.Board		RA8505		06S15771Y62	RES,ARYEXB28VR000-CP
FRONT-P.W.Board		RA8506		06S15771Y62	RES,ARYEXB28VR000-CP
FRONT-P.W.Board		RA8507		06S15771Y62	RES,ARYEXB28VR000-CP
FRONT-P.W.Board		RA8508		06S15771Y62	RES,ARYEXB28VR000-CP
FRONT-P.W.Board		RA8601		06S15771Y13	RES,ARYEXB28V101J-CP
FRONT-P.W.Board		RA8602		06S15771Y13	RES,ARYEXB28V101J-CP
FRONT-P.W.Board		RA8603		06S15771Y13	RES,ARYEXB28V101J-CP
FRONT-P.W.Board		RA8604		06S15771Y13	RES,ARYEXB28V101J-CP
FRONT-P.W.Board		RA8605		06S15771Y13	RES,ARYEXB28V101J-CP
FRONT-P.W.Board		RA8606		06S15771Y13	RES,ARYEXB28V101J-CP
FRONT-P.W.Board		RA8607		06S15771Y13	RES,ARYEXB28V101J-CP
FRONT-P.W.Board		RA8608		06S15771Y13	RES,ARYEXB28V101J-CP
FRONT-P.W.Board		RA8609		06S15771Y13	RES,ARYEXB28V101J-CP










Model Code
IVA-W505

NOTE:The part that has not PART NUMBER will not be supplied.

P.W.Board	MIS	MODEL	Ref.	Parts No.	Parts Name
FRONT-P.W.Board		RA8701		06S45591W07	RES,ARY MNR101J 4-CP
FRONT-P.W.Board		RA8901		06S15771Y07	RES,ARYEXB28V33RJ-CP
FRONT-P.W.Board		RA8902		06S15771Y07	RES,ARYEXB28V33RJ-CP
FRONT-P.W.Board		RA8903		06S15771Y07	RES,ARYEXB28V33RJ-CP
FRONT-P.W.Board		RA8904		06S15771Y07	RES,ARYEXB28V33RJ-CP
FRONT-P.W.Board		SD8981		48-06874Z03	DIO,SHT MA24D52-TXE1
FRONT-P.W.Board		TH8976		48T25250Y06	TMT,ERTJ1VR223G -CP
FRONT-P.W.Board		XL8001		91T95084W10	XTL,CS20 5.000M -E9
FRONT-P.W.Board		XL8401		91T55274Y32	XTL,NX5032GA 28.6-E2
FRONT-P.W.Board		XL8501		91T75190Y01	XTL,NX3225DA 27.0-CP
FRONT-P.W.Board		XL8701		91-04263Z01	XTL,NX5032GA 27M -E2
FRONT-P.W.Board		Z8001		91T65112W06	EMI,BK2125HM102 -CP
FRONT-P.W.Board		Z8301		91T45556Y06	EMI,NFM21HC102R1H-CP
FRONT-P.W.Board		Z8302		91T45556Y06	EMI,NFM21HC102R1H-CP
FRONT-P.W.Board		Z8303		91T45556Y06	EMI,NFM21HC102R1H-CP
FRONT-P.W.Board		Z8401		91T45556Y06	EMI,NFM21HC102R1H-CP
FRONT-P.W.Board		Z8402		91T45556Y06	EMI,NFM21HC102R1H-CP
FRONT-P.W.Board		Z8403		91T45556Y06	EMI,NFM21HC102R1H-CP
FRONT-P.W.Board		Z8404		91T45556Y06	EMI,NFM21HC102R1H-CP
FRONT-P.W.Board		Z8501		91T45556Y06	EMI,NFM21HC102R1H-CP
FRONT-P.W.Board		Z8502		91T45556Y06	EMI,NFM21HC102R1H-CP
FRONT-P.W.Board		Z8503		91T45556Y06	EMI,NFM21HC102R1H-CP
FRONT-P.W.Board		Z8701		91T45556Y06	EMI,NFM21HC102R1H-CP
FRONT-P.W.Board		Z8702		91T45556Y06	EMI,NFM21HC102R1H-CP
FRONT-P.W.Board		Z8703		91T45556Y06	EMI,NFM21HC102R1H-CP
FRONT-P.W.Board		ZD8201		48T15541Y53	DIO,ZEN MAZS0560H-CP
FRONT-P.W.Board		ZD8202		48T15541Y53	DIO,ZEN MAZS0560H-CP
SW-P.W.Board		C4000		08S45676W84	CAP,CER 683K-B1C -CP
SW-P.W.Board		C4001		08S35349Y12	CAP,CER 105K-B0J -CP
SW-P.W.Board		C4002		08S35374W12	CAP,CER 106K-B0J -CP
SW-P.W.Board		D4000		48-06707Z01	DIO,MA3J147-TX -CP
SW-P.W.Board		IC4000		51-01707Z01	RS-771 -NE2
SW-P.W.Board		IC4001		51T75076Y01	TPS851 -CP
SW-P.W.Board		LD4000		48-11416Z01	LED,BLU SSB-ULD -CP
SW-P.W.Board		LD4001		48-11416Z01	LED,BLU SSB-ULD -CP
SW-P.W.Board		LD4002		48-11416Z01	LED,BLU SSB-ULD -CP
SW-P.W.Board		LD4003		48-11416Z01	LED,BLU SSB-ULD -CP
SW-P.W.Board		LD4004		48-11416Z01	LED,BLU SSB-ULD -CP
SW-P.W.Board		LD4005		48-11416Z01	LED,BLU SSB-ULD -CP
SW-P.W.Board		LD4007		48-11416Z01	LED,BLU SSB-ULD -CP
SW-P.W.Board		LD4008		48-11416Z01	LED,BLU SSB-ULD -CP
SW-P.W.Board		LD4010		48-11416Z01	LED,BLU SSB-ULD -CP
SW-P.W.Board		R4000		06S64995F21	RES,RK 47RJ 1/8 -CP
SW-P.W.Board		R4001		06S55361Y63	RES,RK 821J 1/4 -CP
SW-P.W.Board		R4002		06S15593Y75	RES,RK 123F 1/10 -CP
SW-P.W.Board		R4003		06S15593Y51	RES,RK 122F 1/10 -CP
SW-P.W.Board		R4004		06S15593Y57	RES,RK 222F 1/10 -CP

Model Code
IVA-W505

NOTE:The part that has not PART NUMBER will not be supplied.

P.W.Board	MIS	MODEL	Ref.	Parts No.	Parts Name
SW-P.W.Board		R4005		06S55362Y06	RES,RK 473J 1/4 -CP
SW-P.W.Board		R4006		06S45674W57	RES,RK 102J 1/10 -CP
SW-P.W.Board		R4007		06S45674W57	RES,RK 102J 1/10 -CP
SW-P.W.Board		R4008		06S55361Y51	RES,RK 271J 1/4 -CP
SW-P.W.Board		R4009		06S15593Y53	RES,RK 152F 1/10 -CP
SW-P.W.Board		R4010		06S45675W31	RES,RK 125J 1/10 -CP
SW-P.W.Board		R4011		06S15593Y61	RES,RK 332F 1/10 -CP
SW-P.W.Board		R4012		06S15593Y67	RES,RK 562F 1/10 -CP
SW-P.W.Board		R4013		06S55363Y33	RES,RK 47RJ 1/8 -CP
SW-P.W.Board		R4015		06S55361Y58	RES,RK 511J 1/4 -CP
SW-P.W.Board		R4016		06S55361Y59	RES,RK 561J 1/4 -CP
SW-P.W.Board		R4017		06S55361Y59	RES,RK 561J 1/4 -CP
SW-P.W.Board		SW4000		40T65353Y01	SW,TACT SKRSPACE010E2
SW-P.W.Board		SW4001		40T65353Y01	SW,TACT SKRSPACE010E2
SW-P.W.Board		SW4002		40T65353Y01	SW,TACT SKRSPACE010E2
SW-P.W.Board		SW4003		40T65353Y01	SW,TACT SKRSPACE010E2
SW-P.W.Board		SW4004		40T65353Y01	SW,TACT SKRSPACE010E2
SW-P.W.Board		SW4005		40T65353Y01	SW,TACT SKRSPACE010E2
SW-P.W.Board		SW4006		40T65353Y01	SW,TACT SKRSPACE010E2
SW-P.W.Board		SW4007		40T65353Y01	SW,TACT SKRSPACE010E2
SW-P.W.Board		ZD4000		48T15541Y44	DIO,ZEN MAZS0430H-CP
SW-P.W.Board		ZD4002		48T15541Y44	DIO,ZEN MAZS0430H-CP
SW-P.W.Board		ZD4003		48T15541Y44	DIO,ZEN MAZS0430H-CP
SW-P.W.Board		ZD4004		48T15541Y44	DIO,ZEN MAZS0430H-CP
SW-P.W.Board		ZD4005		48T15541Y44	DIO,ZEN MAZS0430H-CP
SW-P.W.Board		ZD4006		48T15541Y44	DIO,ZEN MAZS0430H-CP
SW-P.W.Board		ZD4007		48T15541Y44	DIO,ZEN MAZS0430H-CP
SW-P.W.Board		ZD4008		48T15541Y44	DIO,ZEN MAZS0430H-CP
SW-P.W.Board		ZD4009		48T15541Y44	DIO,ZEN MAZS0430H-CP
Miscellaneous		CH3500		09-07002Z01	ASSY,ANIA-0001-01A
Miscellaneous		ET1620		09-11977Z01	ASSY,EDA0025A
Miscellaneous		ET2200		09-11732Z01	ASSY,ANID-0076-01A
Miscellaneous		ET3200		09-08316Z01	ASSY,ANID-0045-01A
Miscellaneous		ET8201		40-12211Z01	ASSY,EMU601A2A613
Miscellaneous		LCD8901		65-12593Z01	ASSY,C070VW03 V0
Miscellaneous		M1650		59-06122Z01	MOTOR,D02X-12TS4(EX)
Miscellaneous		M3500		59-02037Z01	MOTOR,FF-180SH-13260
DV43M88B		C5		08S65668Y04	CAP,CER 104KX5R1A-CP
DV43M88B		C502		08S65670Y01	CAP,CER 106KX5R1C-CP
DV43M88B		C503		08S65670Y01	CAP,CER 106KX5R1C-CP
DV43M88B		C505		08S45231Y29	CAP,CER 221J-CH1H-CP
DV43M88B		C506		08S65670Y01	CAP,CER 106KX5R1C-CP
DV43M88B		C507		08S45232Y05	CAP,CER 102K-B1H -CP
DV43M88B		C514		08S45232Y05	CAP,CER 102K-B1H -CP
DV43M88B		C540		08S45231Y33	CAP,CER 471J-CH1H-CP
DV43M88B		C541		08S45231Y36	CAP,CER 681J-CH1E-CP
DV43M88B		C601		08S45232Y05	CAP,CER 102K-B1H -CP

Model Code
IVA-W505

NOTE:The part that has not PART NUMBER will not be supplied.

P.W.Board	MIS	MODEL	Ref.	Parts No.	Parts Name
DV43M88B			C602	08S45232Y05	CAP,CER 102K-B1H -CP
DV43M88B			C603	08S45232Y17	CAP,CER 104K-B0J -CP
DV43M88B			C604	08S45232Y05	CAP,CER 102K-B1H -CP
DV43M88B			C605	08S45232Y05	CAP,CER 102K-B1H -CP
DV43M88B			C606	08S45232Y17	CAP,CER 104K-B0J -CP
DV43M88B			C607	08S45232Y05	CAP,CER 102K-B1H -CP
DV43M88B			C608	08S45232Y05	CAP,CER 102K-B1H -CP
DV43M88B			C609	08S45232Y17	CAP,CER 104K-B0J -CP
DV43M88B			C610	08S45232Y05	CAP,CER 102K-B1H -CP
DV43M88B			C611	08S45232Y05	CAP,CER 102K-B1H -CP
DV43M88B			C612	08S45232Y17	CAP,CER 104K-B0J -CP
DV43M88B			C613	08S45232Y17	CAP,CER 104K-B0J -CP
DV43M88B			C614	08S45232Y05	CAP,CER 102K-B1H -CP
DV43M88B			C615	08S45232Y17	CAP,CER 104K-B0J -CP
DV43M88B			C616	08S45232Y05	CAP,CER 102K-B1H -CP
DV43M88B			C617	08S45232Y05	CAP,CER 102K-B1H -CP
DV43M88B			C618	08S45232Y17	CAP,CER 104K-B0J -CP
DV43M88B			C619	08S45232Y05	CAP,CER 102K-B1H -CP
DV43M88B			C620	08S45232Y05	CAP,CER 102K-B1H -CP
DV43M88B			C621	08S45232Y05	CAP,CER 102K-B1H -CP
DV43M88B			C622	08S45232Y05	CAP,CER 102K-B1H -CP
DV43M88B			C623	08S45232Y17	CAP,CER 104K-B0J -CP
DV43M88B			C624	08S45232Y05	CAP,CER 102K-B1H -CP
DV43M88B			C625	08S45232Y17	CAP,CER 104K-B0J -CP
DV43M88B			C626	08S45232Y17	CAP,CER 104K-B0J -CP
DV43M88B			C627	08S45232Y17	CAP,CER 104K-B0J -CP
DV43M88B			C632	08S45232Y17	CAP,CER 104K-B0J -CP
DV43M88B			C633	08S45232Y05	CAP,CER 102K-B1H -CP
DV43M88B			C652	08T81833F12	CAP,CER 106K-B1A -CP
DV43M88B			C675	08S45231Y23	CAP,CER 68RJ-CH1H-CP
DV43M88B			C676	08S45231Y22	CAP,CER 56RJ-CH1H-CP
DV43M88B			C677	08S45231Y13	CAP,CER 10RD-CH1H-CP
DV43M88B			C678	08S45231Y19	CAP,CER 33RJ-CH1H-CP
DV43M88B			C679	08S45231Y22	CAP,CER 56RJ-CH1H-CP
DV43M88B			C702	08S45232Y17	CAP,CER 104K-B0J -CP
DV43M88B			C703	08S45232Y17	CAP,CER 104K-B0J -CP
DV43M88B			C740	08S35349Y12	CAP,CER 105K-B0J -CP
DV43M88B			C741	08S45232Y11	CAP,CER 103K-B1C -CP
DV43M88B			C781	08S65670Y01	CAP,CER 106KX5R1C-CP
DV43M88B			C783	08S45232Y17	CAP,CER 104K-B0J -CP
DV43M88B			C784	08S45232Y05	CAP,CER 102K-B1H -CP
DV43M88B			C785	08S45232Y05	CAP,CER 102K-B1H -CP
DV43M88B			C786	08S45232Y17	CAP,CER 104K-B0J -CP
DV43M88B			C787	08S45232Y17	CAP,CER 104K-B0J -CP
DV43M88B			C788	08S45232Y05	CAP,CER 102K-B1H -CP
DV43M88B			C789	08S45232Y05	CAP,CER 102K-B1H -CP
DV43M88B			C801	08S45232Y17	CAP,CER 104K-B0J -CP

Model Code
IVA-W505

NOTE:The part that has not PART NUMBER will not be supplied.

P.W.Board	MIS	MODEL	Ref.	Parts No.	Parts Name
DV43M88B			C806	08S45232Y05	CAP,CER 102K-B1H -CP
DV43M88B			C807	08S45676W87	CAP,CER 333K-B1E -CP
DV43M88B			C808	08S45232Y17	CAP,CER 104K-B0J -CP
DV43M88B			C809	08S45232Y17	CAP,CER 104K-B0J -CP
DV43M88B			C810	08S45232Y17	CAP,CER 104K-B0J -CP
DV43M88B			C811	08S45676W70	CAP,CER 562K-B1H -CP
DV43M88B			C812	08S45676W79	CAP,CER 183K-B1E -CP
DV43M88B			C813	08S45232Y17	CAP,CER 104K-B0J -CP
DV43M88B			C814	08S45232Y17	CAP,CER 104K-B0J -CP
DV43M88B			C815	08S45232Y17	CAP,CER 104K-B0J -CP
DV43M88B			C816	08S45232Y17	CAP,CER 104K-B0J -CP
DV43M88B			C817	08S35349Y16	CAP,CER 105K-B1A -CP
DV43M88B			C818	08S35349Y16	CAP,CER 105K-B1A -CP
DV43M88B			C819	08S45232Y17	CAP,CER 104K-B0J -CP
DV43M88B			C820	08S35374W12	CAP,CER 106K-B0J -CP
DV43M88B			C821	08S45232Y17	CAP,CER 104K-B0J -CP
DV43M88B			C822	08S45232Y17	CAP,CER 104K-B0J -CP
DV43M88B			C823	08S45232Y17	CAP,CER 104K-B0J -CP
DV43M88B			C824	08S45232Y17	CAP,CER 104K-B0J -CP
DV43M88B			C825	08S45232Y17	CAP,CER 104K-B0J -CP
DV43M88B			C826	08S45232Y17	CAP,CER 104K-B0J -CP
DV43M88B			C827	08S45232Y17	CAP,CER 104K-B0J -CP
DV43M88B			C828	08S45232Y11	CAP,CER 103K-B1C -CP
DV43M88B			C829	08S45232Y11	CAP,CER 103K-B1C -CP
DV43M88B			C830	08S45232Y08	CAP,CER 332K-B1H -CP
DV43M88B			C831	08S45232Y08	CAP,CER 332K-B1H -CP
DV43M88B			C832	08S45232Y08	CAP,CER 332K-B1H -CP
DV43M88B			C833	08S45232Y08	CAP,CER 332K-B1H -CP
DV43M88B			C835	08S45232Y07	CAP,CER 222K-B1H -CP
DV43M88B			C836	08S45232Y07	CAP,CER 222K-B1H -CP
DV43M88B			C837	08S45231Y25	CAP,CER 101J-CH1H-CP
DV43M88B			C838	08S45677W40	CAP,CER.151J-CH1H-CP
DV43M88B			C839	08S45677W40	CAP,CER.151J-CH1H-CP
DV43M88B			C840	08S45231Y25	CAP,CER 101J-CH1H-CP
DV43M88B			C841	08S45677W40	CAP,CER.151J-CH1H-CP
DV43M88B			C842	08S45677W40	CAP,CER.151J-CH1H-CP
DV43M88B			C844	08T81833F13	CAP,CER 106K-B1C -CP
DV43M88B			C852	08S45232Y17	CAP,CER 104K-B0J -CP
DV43M88B			C853	08T81833F13	CAP,CER 106K-B1C -CP
DV43M88B			C854	08T81833F13	CAP,CER 106K-B1C -CP
DV43M88B			C856	08S45232Y17	CAP,CER 104K-B0J -CP
DV43M88B			C857	08S65668Y04	CAP,CER 104KX5R1A-CP
DV43M88B			C860	08S45232Y11	CAP,CER 103K-B1C -CP
DV43M88B			C861	08S65668Y04	CAP,CER 104KX5R1A-CP
DV43M88B			C862	08S35374W10	CAP,CER 225K-B1A -CP
DV43M88B			C863	08S35374W10	CAP,CER 225K-B1A -CP
DV43M88B			C864	08S45232Y17	CAP,CER 104K-B0J -CP

Model Code
IVA-W505

NOTE:The part that has not PART NUMBER will not be supplied.

P.W.Board	MIS	MODEL	Ref.	Parts No.	Parts Name
DV43M88B			C865	08S45232Y17	CAP,CER 104K-B0J -CP
DV43M88B			C871	08S45232Y17	CAP,CER 104K-B0J -CP
DV43M88B			C872	08S45232Y17	CAP,CER 104K-B0J -CP
DV43M88B			C873	08S65670Y06	CAP,CER 226KX5R1A-CP
DV43M88B			C874	08S65670Y06	CAP,CER 226KX5R1A-CP
DV43M88B			C877	08S45232Y13	CAP,CER 223K-B1C -CP
DV43M88B			C881	08S65670Y06	CAP,CER 226KX5R1A-CP
DV43M88B			C882	08S65670Y06	CAP,CER 226KX5R1A-CP
DV43M88B			C883	08S35349Y12	CAP,CER 105K-B0J -CP
DV43M88B			C884	08S45676W80	CAP,CER 223K-B1E -CP
DV43M88B			C891	08S65670Y06	CAP,CER 226KX5R1A-CP
DV43M88B			C892	08S65670Y06	CAP,CER 226KX5R1A-CP
DV43M88B			C893	08S35349Y12	CAP,CER 105K-B0J -CP
DV43M88B			C894	08S45676W80	CAP,CER 223K-B1E -CP
DV43M88B			C899	08S45232Y13	CAP,CER 223K-B1C -CP
DV43M88B			C901	08S65667Y05	CAP,CER 105KX5R1A-CP
DV43M88B			C902	08S65667Y05	CAP,CER 105KX5R1A-CP
DV43M88B			C903	08S35374W12	CAP,CER 106K-B0J -CP
DV43M88B			C904	08S65667Y05	CAP,CER 105KX5R1A-CP
DV43M88B			C905	08S45232Y11	CAP,CER 103K-B1C -CP
DV43M88B			C906	08S45232Y17	CAP,CER 104K-B0J -CP
DV43M88B			CB501	09-04228Z07	FFC,IMSA9682S-50Y-ER
DV43M88B			CB502	09-04228Z11	FFC,IMSA9682S-40Y-ER
DV43M88B			CB503	09-04228Z01	FFC,IMSA9682S-10Y-E7
DV43M88B			CB801	09-04228Z05	FFC,IMSA9682S-30Y-ES
DV43M88B			CB802	09-04228Z10	FFC,IMSA9682S-34Y-ER
DV43M88B			D726	48-04465Z01	DIO,MA2711100L-TX-CP
DV43M88B			D727	48-04465Z01	DIO,MA2711100L-TX-CP
DV43M88B			IC601	51-07925Z01	MN2DS0016UB -QT
DV43M88B			IC701	53-13117Z85	OFL,V7.004DV43M88B
DV43M88B			IC702	51-00726Z02	MB85R256PFCN-G -ST
DV43M88B			IC781	51-11515Z01	HY57V281620FTP-HI-ST
DV43M88B			IC806	51-08553Z01	BU4309G-TR -CP
DV43M88B			IC851	51T55021Y02	BD7905BFS-E2 -SEE
DV43M88B			IC853	51T35316Y01	TC7S14FU-TE85L -CP
DV43M88B			L501	24T65689Y01	FBI,FBMJ2125HS420-CP
DV43M88B			L502	24T65689Y01	FBI,FBMJ2125HS420-CP
DV43M88B			L503	24T65689Y01	FBI,FBMJ2125HS420-CP
DV43M88B			L504	24T65689Y01	FBI,FBMJ2125HS420-CP
DV43M88B			L820	24T95456W27	FBI,BLM18PG181SH1-CP
DV43M88B			LD1	48-07922Z01	LED,DNP1111R-TR -CP
DV43M88B			Q540	48T45251W53	TR ,UN5112 22-22 -CP
DV43M88B			Q541	48T15656Y01	TR,2SC4617-TL -CP
DV43M88B			Q872	48T25137Y02	TR,UN9212J-TX -CP
DV43M88B			Q873	48T25137Y06	TR,UN9216J-TX -CP
DV43M88B			Q874	48T25137Y06	TR,UN9216J-TX -CP
DV43M88B			Q881	48T75011W01	TR,2SD1782K-PQR-6-CP

Model Code
IVA-W505

NOTE:The part that has not PART NUMBER will not be supplied.

P.W.Board	MIS	MODEL	Ref.	Parts No.	Parts Name
DV43M88B			Q882	48T55462Y01	TR,2SB1132-QR-100-E2
DV43M88B			Q891	48T75011W01	TR,2SD1782K-PQR-6-CP
DV43M88B			Q892	48T55462Y01	TR,2SB1132-QR-100-E2
DV43M88B			R1	06S65415Y23	RES,RK 681F 1/16 -CP
DV43M88B			R500	06S15615Y81	RES,RK 223J 1/16 -CP
DV43M88B			R508	06S45675W20	RES,RK 394J 1/10 -CP
DV43M88B			R514	06S15615Y81	RES,RK 223J 1/16 -CP
DV43M88B			R515	06S15615Y81	RES,RK 223J 1/16 -CP
DV43M88B			R516	06S15616Y23	RES,RK JUMPER1/16-CP
DV43M88B			R517	06S15615Y81	RES,RK 223J 1/16 -CP
DV43M88B			R518	06S15615Y81	RES,RK 223J 1/16 -CP
DV43M88B			R519	06S15615Y81	RES,RK 223J 1/16 -CP
DV43M88B			R520	06S15615Y81	RES,RK 223J 1/16 -CP
DV43M88B			R521	06S15615Y13	RES,RK 33RJ 1/16 -CP
DV43M88B			R522	06S15615Y13	RES,RK 33RJ 1/16 -CP
DV43M88B			R523	06S15615Y13	RES,RK 33RJ 1/16 -CP
DV43M88B			R524	06S15615Y49	RES,RK 102J 1/16 -CP
DV43M88B			R525	06S15615Y49	RES,RK 102J 1/16 -CP
DV43M88B			R526	06S15615Y65	RES,RK 472J 1/16 -CP
DV43M88B			R527	06S15615Y13	RES,RK 33RJ 1/16 -CP
DV43M88B			R528	06S15615Y13	RES,RK 33RJ 1/16 -CP
DV43M88B			R529	06S15615Y13	RES,RK 33RJ 1/16 -CP
DV43M88B			R530	06S15615Y13	RES,RK 33RJ 1/16 -CP
DV43M88B			R531	06S15615Y13	RES,RK 33RJ 1/16 -CP
DV43M88B			R532	06S15615Y13	RES,RK 33RJ 1/16 -CP
DV43M88B			R533	06S15615Y25	RES,RK 101J 1/16 -CP
DV43M88B			R534	06S15615Y25	RES,RK 101J 1/16 -CP
DV43M88B			R535	06S15615Y81	RES,RK 223J 1/16 -CP
DV43M88B			R536	06S15615Y81	RES,RK 223J 1/16 -CP
DV43M88B			R537	06S15615Y17	RES,RK 47RJ 1/16 -CP
DV43M88B			R538	06S15615Y25	RES,RK 101J 1/16 -CP
DV43M88B			R539	06S15615Y25	RES,RK 101J 1/16 -CP
DV43M88B			R540	06S15615Y25	RES,RK 101J 1/16 -CP
DV43M88B			R541	06S15615Y17	RES,RK 47RJ 1/16 -CP
DV43M88B			R542	06S15615Y21	RES,RK 68RJ 1/16 -CP
DV43M88B			R545	06S15615Y25	RES,RK 101J 1/16 -CP
DV43M88B			R546	06S15615Y81	RES,RK 223J 1/16 -CP
DV43M88B			R547	06S15615Y81	RES,RK 223J 1/16 -CP
DV43M88B			R548	06S15615Y81	RES,RK 223J 1/16 -CP
DV43M88B			R549	06S15615Y81	RES,RK 223J 1/16 -CP
DV43M88B			R550	06S15615Y81	RES,RK 223J 1/16 -CP
DV43M88B			R551	06S15615Y81	RES,RK 223J 1/16 -CP
DV43M88B			R552	06S15615Y81	RES,RK 223J 1/16 -CP
DV43M88B			R553	06S15615Y81	RES,RK 223J 1/16 -CP
DV43M88B			R554	06S15615Y81	RES,RK 223J 1/16 -CP
DV43M88B			R555	06S15615Y81	RES,RK 223J 1/16 -CP
DV43M88B			R556	06S15615Y25	RES,RK 101J 1/16 -CP

Model Code
IVA-W505

NOTE:The part that has not PART NUMBER will not be supplied.

P.W.Board	MIS	MODEL	Ref.	Parts No.	Parts Name
DV43M88B			R557	06S15615Y25	RES,RK 101J 1/16 -CP
DV43M88B			R558	06S15615Y25	RES,RK 101J 1/16 -CP
DV43M88B			R559	06S15615Y25	RES,RK 101J 1/16 -CP
DV43M88B			R560	06S15615Y25	RES,RK 101J 1/16 -CP
DV43M88B			R561	06S15615Y81	RES,RK 223J 1/16 -CP
DV43M88B			R562	06S15615Y81	RES,RK 223J 1/16 -CP
DV43M88B			R563	06S15615Y81	RES,RK 223J 1/16 -CP
DV43M88B			R564	06S15615Y81	RES,RK 223J 1/16 -CP
DV43M88B			R565	06S15615Y81	RES,RK 223J 1/16 -CP
DV43M88B			R566	06S15615Y81	RES,RK 223J 1/16 -CP
DV43M88B			R567	06S15615Y81	RES,RK 223J 1/16 -CP
DV43M88B			R568	06S15615Y81	RES,RK 223J 1/16 -CP
DV43M88B			R569	06S15615Y81	RES,RK 223J 1/16 -CP
DV43M88B			R570	06S15615Y81	RES,RK 223J 1/16 -CP
DV43M88B			R571	06S15615Y81	RES,RK 223J 1/16 -CP
DV43M88B			R572	06S15615Y81	RES,RK 223J 1/16 -CP
DV43M88B			R573	06S15615Y81	RES,RK 223J 1/16 -CP
DV43M88B			R574	06S15615Y81	RES,RK 223J 1/16 -CP
DV43M88B			R575	06S15615Y81	RES,RK 223J 1/16 -CP
DV43M88B			R576	06S15615Y81	RES,RK 223J 1/16 -CP
DV43M88B			R577	06S15615Y17	RES,RK 47RJ 1/16 -CP
DV43M88B			R578	06S15615Y23	RES,RK 82RJ 1/16 -CP
DV43M88B			R579	06S15615Y23	RES,RK 82RJ 1/16 -CP
DV43M88B			R580	06S15615Y17	RES,RK 47RJ 1/16 -CP
DV43M88B			R581	06S15615Y23	RES,RK 82RJ 1/16 -CP
DV43M88B			R582	06S15615Y17	RES,RK 47RJ 1/16 -CP
DV43M88B			R583	06S15615Y23	RES,RK 82RJ 1/16 -CP
DV43M88B			R584	06S15615Y23	RES,RK 82RJ 1/16 -CP
DV43M88B			R585	06S15615Y23	RES,RK 82RJ 1/16 -CP
DV43M88B			R586	06S15615Y23	RES,RK 82RJ 1/16 -CP
DV43M88B			R587	06S15615Y23	RES,RK 82RJ 1/16 -CP
DV43M88B			R589	06S15615Y23	RES,RK 82RJ 1/16 -CP
DV43M88B			R590	06S15615Y67	RES,RK 562J 1/16 -CP
DV43M88B			R591	06S15615Y73	RES,RK 103J 1/16 -CP
DV43M88B			R602	06S15615Y81	RES,RK 223J 1/16 -CP
DV43M88B			R603	06S15615Y81	RES,RK 223J 1/16 -CP
DV43M88B			R604	06S15615Y81	RES,RK 223J 1/16 -CP
DV43M88B			R605	06S15615Y81	RES,RK 223J 1/16 -CP
DV43M88B			R606	06S15615Y81	RES,RK 223J 1/16 -CP
DV43M88B			R607	06S15615Y81	RES,RK 223J 1/16 -CP
DV43M88B			R608	06S15615Y81	RES,RK 223J 1/16 -CP
DV43M88B			R609	06S15615Y81	RES,RK 223J 1/16 -CP
DV43M88B			R610	06S15615Y81	RES,RK 223J 1/16 -CP
DV43M88B			R611	06S15615Y81	RES,RK 223J 1/16 -CP
DV43M88B			R612	06S65415Y37	RES,RK 103F 1/16 -CP
DV43M88B			R613	06S65415Y37	RES,RK 103F 1/16 -CP
DV43M88B			R614	06S15615Y81	RES,RK 223J 1/16 -CP

Model Code
IVA-W505

NOTE:The part that has not PART NUMBER will not be supplied.

P.W.Board	MIS	MODEL	Ref.	Parts No.	Parts Name
DV43M88B			R621	06S15615Y65	RES,RK 472J 1/16 -CP
DV43M88B			R671	06S15615Y21	RES,RK 68RJ 1/16 -CP
DV43M88B			R672	06S15615Y25	RES,RK 101J 1/16 -CP
DV43M88B			R673	06S15615Y25	RES,RK 101J 1/16 -CP
DV43M88B			R674	06S15615Y25	RES,RK 101J 1/16 -CP
DV43M88B			R675	06S15615Y23	RES,RK 82RJ 1/16 -CP
DV43M88B			R676	06S15615Y33	RES,RK 221J 1/16 -CP
DV43M88B			R677	06S15615Y19	RES,RK 56RJ 1/16 -CP
DV43M88B			R678	06S15615Y13	RES,RK 33RJ 1/16 -CP
DV43M88B			R679	06S15615Y81	RES,RK 223J 1/16 -CP
DV43M88B			R701	06S15615Y81	RES,RK 223J 1/16 -CP
DV43M88B			R703	06S15615Y81	RES,RK 223J 1/16 -CP
DV43M88B			R704	06S15615Y17	RES,RK 47RJ 1/16 -CP
DV43M88B			R710	06S15615Y81	RES,RK 223J 1/16 -CP
DV43M88B			R711	06S15615Y81	RES,RK 223J 1/16 -CP
DV43M88B			R712	06S15615Y81	RES,RK 223J 1/16 -CP
DV43M88B			R713	06S15615Y81	RES,RK 223J 1/16 -CP
DV43M88B			R714	06S15615Y81	RES,RK 223J 1/16 -CP
DV43M88B			R715	06S15615Y81	RES,RK 223J 1/16 -CP
DV43M88B			R716	06S15615Y81	RES,RK 223J 1/16 -CP
DV43M88B			R717	06S15615Y81	RES,RK 223J 1/16 -CP
DV43M88B			R718	06S15615Y81	RES,RK 223J 1/16 -CP
DV43M88B			R719	06S15615Y81	RES,RK 223J 1/16 -CP
DV43M88B			R720	06S15615Y81	RES,RK 223J 1/16 -CP
DV43M88B			R721	06S15615Y81	RES,RK 223J 1/16 -CP
DV43M88B			R722	06S15615Y81	RES,RK 223J 1/16 -CP
DV43M88B			R723	06S15615Y81	RES,RK 223J 1/16 -CP
DV43M88B			R724	06S15615Y81	RES,RK 223J 1/16 -CP
DV43M88B			R725	06S15615Y81	RES,RK 223J 1/16 -CP
DV43M88B			R740	06S65415Y41	RES,RK 223F 1/16 -CP
DV43M88B			R742	06S65415Y24	RES,RK 821F 1/16 -CP
DV43M88B			R743	06S65415Y43	RES,RK 333F 1/16 -CP
DV43M88B			R744	06S15616Y23	RES,RK JUMPER1/16-CP
DV43M88B			R752	06S15615Y09	RES,RK 22RJ 1/16 -CP
DV43M88B			R753	06S15615Y21	RES,RK 68RJ 1/16 -CP
DV43M88B			R754	06S15615Y21	RES,RK 68RJ 1/16 -CP
DV43M88B			R755	06S15615Y21	RES,RK 68RJ 1/16 -CP
DV43M88B			R756	06S15615Y21	RES,RK 68RJ 1/16 -CP
DV43M88B			R757	06S15615Y21	RES,RK 68RJ 1/16 -CP
DV43M88B			R758	06S15615Y21	RES,RK 68RJ 1/16 -CP
DV43M88B			R759	06S15615Y21	RES,RK 68RJ 1/16 -CP
DV43M88B			R760	06S15615Y21	RES,RK 68RJ 1/16 -CP
DV43M88B			R761	06S15615Y21	RES,RK 68RJ 1/16 -CP
DV43M88B			R762	06S15615Y21	RES,RK 68RJ 1/16 -CP
DV43M88B			R763	06S15615Y21	RES,RK 68RJ 1/16 -CP
DV43M88B			R764	06S15615Y21	RES,RK 68RJ 1/16 -CP
DV43M88B			R765	06S15615Y21	RES,RK 68RJ 1/16 -CP

Model Code
IVA-W505

NOTE:The part that has not PART NUMBER will not be supplied.

P.W.Board	MIS	MODEL	Ref.	Parts No.	Parts Name
DV43M88B			R766	06S15615Y21	RES,RK 68RJ 1/16 -CP
DV43M88B			R767	06S15615Y21	RES,RK 68RJ 1/16 -CP
DV43M88B			R768	06S15615Y21	RES,RK 68RJ 1/16 -CP
DV43M88B			R769	06S15615Y21	RES,RK 68RJ 1/16 -CP
DV43M88B			R770	06S15615Y21	RES,RK 68RJ 1/16 -CP
DV43M88B			R771	06S15615Y21	RES,RK 68RJ 1/16 -CP
DV43M88B			R772	06S15615Y21	RES,RK 68RJ 1/16 -CP
DV43M88B			R780	06S15615Y25	RES,RK 101J 1/16 -CP
DV43M88B			R781	06S15615Y25	RES,RK 101J 1/16 -CP
DV43M88B			R782	06S15615Y25	RES,RK 101J 1/16 -CP
DV43M88B			R783	06S15615Y25	RES,RK 101J 1/16 -CP
DV43M88B			R784	06S15615Y25	RES,RK 101J 1/16 -CP
DV43M88B			R785	06S15615Y25	RES,RK 101J 1/16 -CP
DV43M88B			R786	06S15615Y25	RES,RK 101J 1/16 -CP
DV43M88B			R787	06S15615Y25	RES,RK 101J 1/16 -CP
DV43M88B			R788	06S15615Y29	RES,RK 151J 1/16 -CP
DV43M88B			R789	06S15615Y29	RES,RK 151J 1/16 -CP
DV43M88B			R790	06S15615Y29	RES,RK 151J 1/16 -CP
DV43M88B			R791	06S15615Y29	RES,RK 151J 1/16 -CP
DV43M88B			R792	06S15615Y29	RES,RK 151J 1/16 -CP
DV43M88B			R793	06S15615Y29	RES,RK 151J 1/16 -CP
DV43M88B			R794	06S15615Y29	RES,RK 151J 1/16 -CP
DV43M88B			R795	06S15615Y29	RES,RK 151J 1/16 -CP
DV43M88B			R801	06S15615Y25	RES,RK 101J 1/16 -CP
DV43M88B			R802	06S15615Y25	RES,RK 101J 1/16 -CP
DV43M88B			R803	06S15615Y81	RES,RK 223J 1/16 -CP
DV43M88B			R804	06S15615Y81	RES,RK 223J 1/16 -CP
DV43M88B			R805	06S15615Y81	RES,RK 223J 1/16 -CP
DV43M88B			R806	06S15615Y81	RES,RK 223J 1/16 -CP
DV43M88B			R807	06S15615Y25	RES,RK 101J 1/16 -CP
DV43M88B			R808	06S15615Y25	RES,RK 101J 1/16 -CP
DV43M88B			R809	06S15615Y25	RES,RK 101J 1/16 -CP
DV43M88B			R810	06S15615Y73	RES,RK 103J 1/16 -CP
DV43M88B			R811	06S15615Y73	RES,RK 103J 1/16 -CP
DV43M88B			R812	06S15615Y73	RES,RK 103J 1/16 -CP
DV43M88B			R813	06S15615Y73	RES,RK 103J 1/16 -CP
DV43M88B			R814	06S15615Y73	RES,RK 103J 1/16 -CP
DV43M88B			R815	06S15615Y73	RES,RK 103J 1/16 -CP
DV43M88B			R816	06S65415Y31	RES,RK 332F 1/16 -CP
DV43M88B			R819	06S65415Y45	RES,RK 473F 1/16 -CP
DV43M88B			R820	06S15615Y73	RES,RK 103J 1/16 -CP
DV43M88B			R821	06S15615Y81	RES,RK 223J 1/16 -CP
DV43M88B			R822	06S15615Y73	RES,RK 103J 1/16 -CP
DV43M88B			R823	06S15615Y81	RES,RK 223J 1/16 -CP
DV43M88B			R824	06S15615Y25	RES,RK 101J 1/16 -CP
DV43M88B			R825	06S15615Y25	RES,RK 101J 1/16 -CP
DV43M88B			R829	06S15615Y13	RES,RK 33RJ 1/16 -CP

Model Code
IVA-W505

NOTE:The part that has not PART NUMBER will not be supplied.

P.W.Board	MIS	MODEL	Ref.	Parts No.	Parts Name
DV43M88B			R830	06S15615Y81	RES,RK 223J 1/16 -CP
DV43M88B			R831	06S15615Y81	RES,RK 223J 1/16 -CP
DV43M88B			R832	06S15615Y81	RES,RK 223J 1/16 -CP
DV43M88B			R833	06S15615Y99	RES,RK 124J 1/16 -CP
DV43M88B			R834	06S15615Y89	RES,RK 473J 1/16 -CP
DV43M88B			R846	06S15615Y81	RES,RK 223J 1/16 -CP
DV43M88B			R847	06S15615Y81	RES,RK 223J 1/16 -CP
DV43M88B			R851	06S15615Y25	RES,RK 101J 1/16 -CP
DV43M88B			R853	06S55364Y42	RES,RK 1R0J 1/8 -CP
DV43M88B			R854	06S55364Y42	RES,RK 1R0J 1/8 -CP
DV43M88B			R855	06S55364Y42	RES,RK 1R0J 1/8 -CP
DV43M88B			R856	06S55364Y42	RES,RK 1R0J 1/8 -CP
DV43M88B			R857	06S15615Y25	RES,RK 101J 1/16 -CP
DV43M88B			R858	06S15615Y25	RES,RK 101J 1/16 -CP
DV43M88B			R859	06S45674W02	RES,RK 2R7J 1/10 -CP
DV43M88B			R860	06S45674W02	RES,RK 2R7J 1/10 -CP
DV43M88B			R861	06S45674W02	RES,RK 2R7J 1/10 -CP
DV43M88B			R862	06S45674W02	RES,RK 2R7J 1/10 -CP
DV43M88B			R863	06S45674W02	RES,RK 2R7J 1/10 -CP
DV43M88B			R864	06S45674W02	RES,RK 2R7J 1/10 -CP
DV43M88B			R865	06S45674W02	RES,RK 2R7J 1/10 -CP
DV43M88B			R866	06S45674W02	RES,RK 2R7J 1/10 -CP
DV43M88B			R867	06S45674W02	RES,RK 2R7J 1/10 -CP
DV43M88B			R868	06S45674W02	RES,RK 2R7J 1/10 -CP
DV43M88B			R869	06S15615Y81	RES,RK 223J 1/16 -CP
DV43M88B			R870	06S15615Y81	RES,RK 223J 1/16 -CP
DV43M88B			R871	06S15615Y49	RES,RK 102J 1/16 -CP
DV43M88B			R872	06S15615Y23	RES,RK 82RJ 1/16 -CP
DV43M88B			R873	06S15615Y23	RES,RK 82RJ 1/16 -CP
DV43M88B			R881	06S15615Y35	RES,RK 271J 1/16 -CP
DV43M88B			R882	06S15615Y41	RES,RK 471J 1/16 -CP
DV43M88B			R883	06S15615Y09	RES,RK 22RJ 1/16 -CP
DV43M88B			R885	06S45675W06	RES,RK 104J 1/10 -CP
DV43M88B			R886	06S65522Y19	RES,RK 3R3F 1/4 -CP
DV43M88B			R891	06S15615Y35	RES,RK 271J 1/16 -CP
DV43M88B			R892	06S15615Y41	RES,RK 471J 1/16 -CP
DV43M88B			R893	06S15615Y09	RES,RK 22RJ 1/16 -CP
DV43M88B			R895	06S45675W06	RES,RK 104J 1/10 -CP
DV43M88B			R896	06S65522Y19	RES,RK 3R3F 1/4 -CP
DV43M88B			R898	06S65522Y24	RES,RK 8R2F 1/4 -CP
DV43M88B			R899	06S35083Y52	RES,RK 1R0F 1/4 -CP
DV43M88B			R901	06S65415Y41	RES,RK 223F 1/16 -CP
DV43M88B			R902	06S65415Y33	RES,RK 472F 1/16 -CP
DV43M88B			R903	06S65415Y37	RES,RK 103F 1/16 -CP
DV43M88B			R905	06S65415Y38	RES,RK 123F 1/16 -CP
DV43M88B			R911	06S65415Y19	RES,RK 331F 1/16 -CP
DV43M88B			R912	06S65415Y19	RES,RK 331F 1/16 -CP

Model Code
IVA-W505

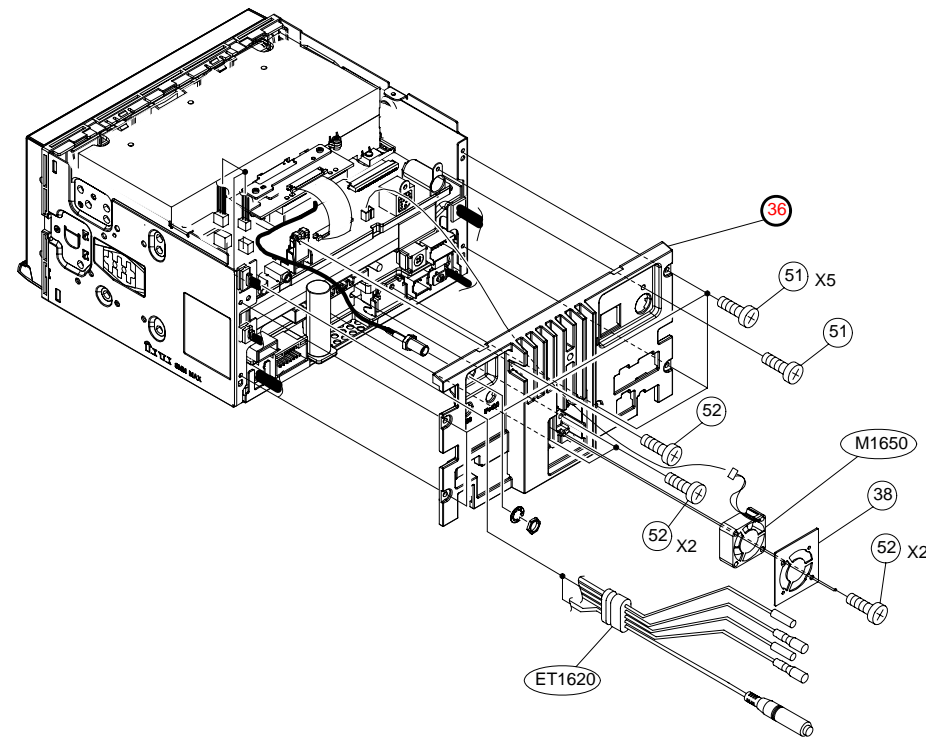
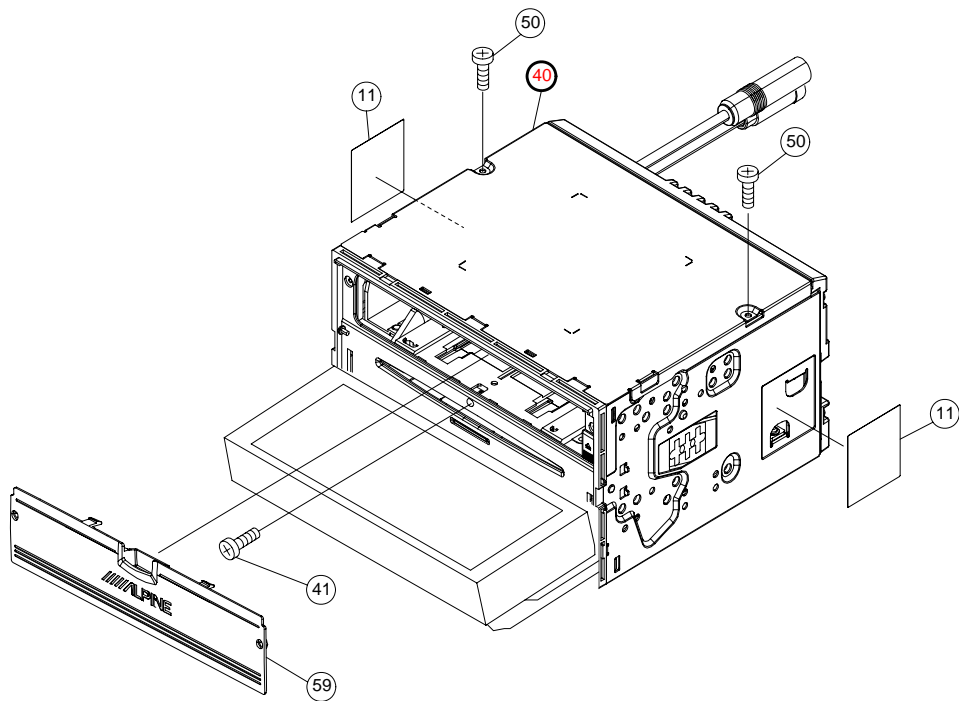
NOTE:The part that has not PART NUMBER will not be supplied.

P.W.Board	MIS	MODEL	Ref.	Parts No.	Parts Name
DV43M88B			R921	06S65415Y19	RES,RK 331F 1/16 -CP
DV43M88B			R922	06S65415Y19	RES,RK 331F 1/16 -CP
DV43M88B			R931	06S65415Y19	RES,RK 331F 1/16 -CP
DV43M88B			R932	06S65415Y19	RES,RK 331F 1/16 -CP
DV43M88B			R941	06S65415Y19	RES,RK 331F 1/16 -CP
DV43M88B			R942	06S65415Y19	RES,RK 331F 1/16 -CP
DV43M88B			R951	06S15615Y13	RES,RK 33RJ 1/16 -CP
DV43M88B			R952	06S15615Y81	RES,RK 223J 1/16 -CP
DV43M88B			RA510	06S15771Y12	RES,ARYEXB28V82RJ-CP
DV43M88B			RA511	06S15771Y12	RES,ARYEXB28V82RJ-CP
DV43M88B			RA512	06S15771Y12	RES,ARYEXB28V82RJ-CP
DV43M88B			RA513	06S15771Y12	RES,ARYEXB28V82RJ-CP
DV43M88B			TH801	48T75201Y03	TMT,NCP15XH103F0S-CP
DV43M88B			TH802	48T75201Y03	TMT,NCP15XH103F0S-CP
DV43M88B			VR901	18T25572Y11	VAR,RH03ADC 472-X-CP
DV43M88B			XL601	91T75115Y01	XTL,FXO-64FL2 27M-E2
DV43M88B			Z550	91T75196Y23	EMI,BK1005LL181 -CP
DV43M88B			Z551	91T75196Y23	EMI,BK1005LL181 -CP
DV43M88B			Z552	91T75196Y23	EMI,BK1005LL181 -CP
DV43M88B			Z553	91T75196Y23	EMI,BK1005LL181 -CP
DV43M88B			Z554	91T75196Y23	EMI,BK1005LL181 -CP
DV43M88B			Z671	91T75196Y23	EMI,BK1005LL181 -CP
DV43M88B			Z672	91T75196Y15	EMI,BK1005HM121 -CP
DV43M88B			Z673	91T75196Y15	EMI,BK1005HM121 -CP
DV43M88B			Z674	91T75196Y15	EMI,BK1005HM121 -CP
DV43M88B			Z675	91T75196Y15	EMI,BK1005HM121 -CP
DV43M88B			Z676	91T75196Y16	EMI,BK1005HM241 -CP
DV43M88B			Z677	91T75196Y23	EMI,BK1005LL181 -CP
DV43M88B			Z901	91T75196Y01	EMI,BK1005HM102 -CP
DV43M88B			Z902	91T75196Y01	EMI,BK1005HM102 -CP
DV43M88B			Z903	91T75196Y01	EMI,BK1005HM102 -CP
DV43M88B			Z904	91T75196Y01	EMI,BK1005HM102 -CP
DV43M88B			Z951	91T75196Y19	EMI,BK1005LL220 -CP
DV43M88B	☒		HD1	EP-02357Z02	ED21A71T
DV43M88B	☒		M1	59-08691Z01	MOTOR,FF-N30VB-1D180
DV43M88B	☒		M2	59-08652Z01	MOTOR,PM23F-064-APA4
DV43M88B	☒		M3	59-08679Z02	MOTOR,24C030A021
DV43M88B	☒		PT1	48-04836Z01	PHT,TR PS1191RB22-CP
DV43M88B	☒		SW2	40-08757Z02	SW,DETCT ESE18L62CE5
DV43M88B	☒		SW3	40-08757Z01	SW,DETCT ESE18R62CE5
DV43M88B	☒		SW4	40-02984Z02	SW,DETCT SPVN3101-E5
DV43M88B	☒		SW5	40-02984Z02	SW,DETCT SPVN3101-E5
DV43M88B	☒		SW6	40-02984Z02	SW,DETCT SPVN3101-E5

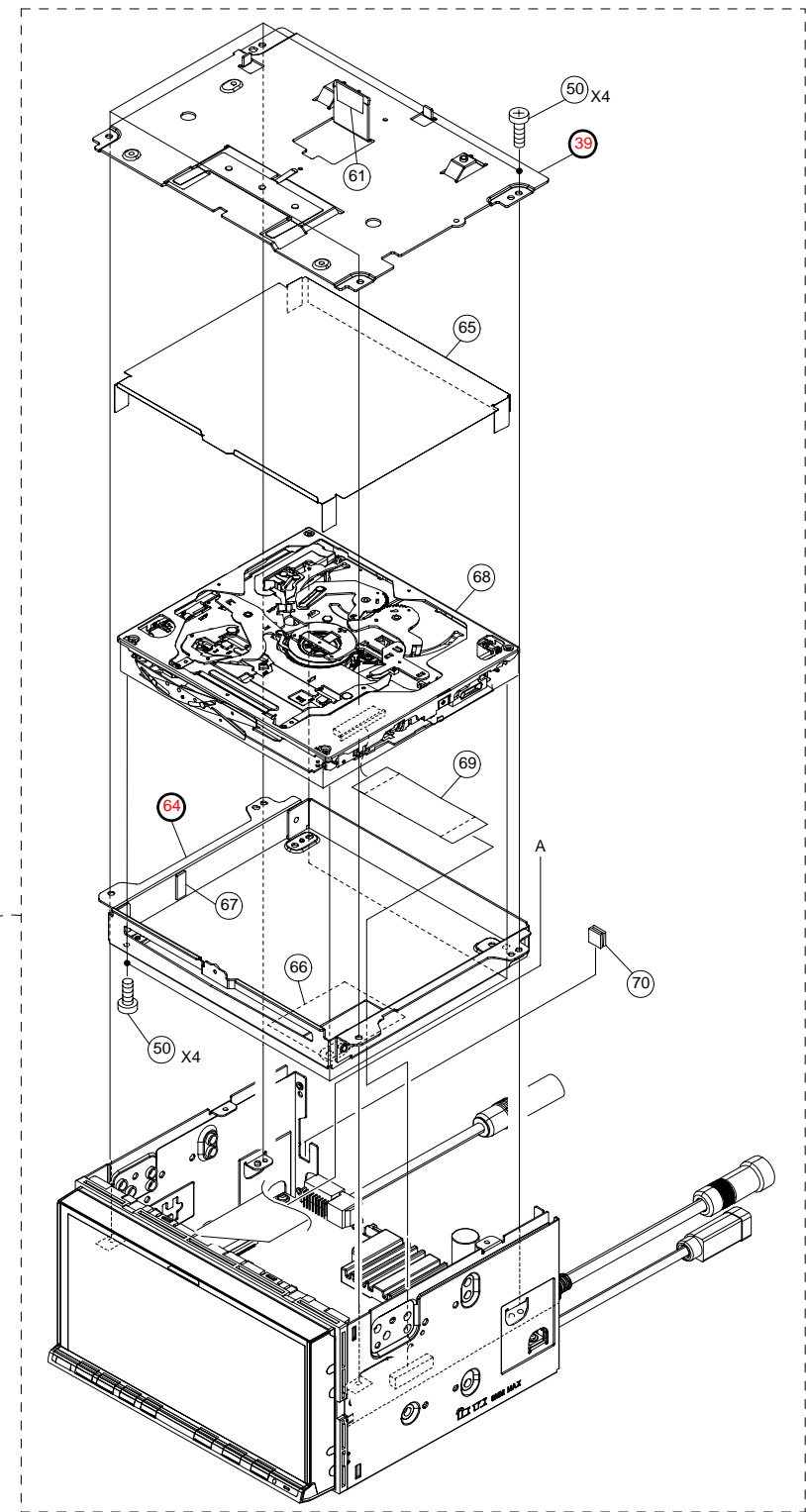
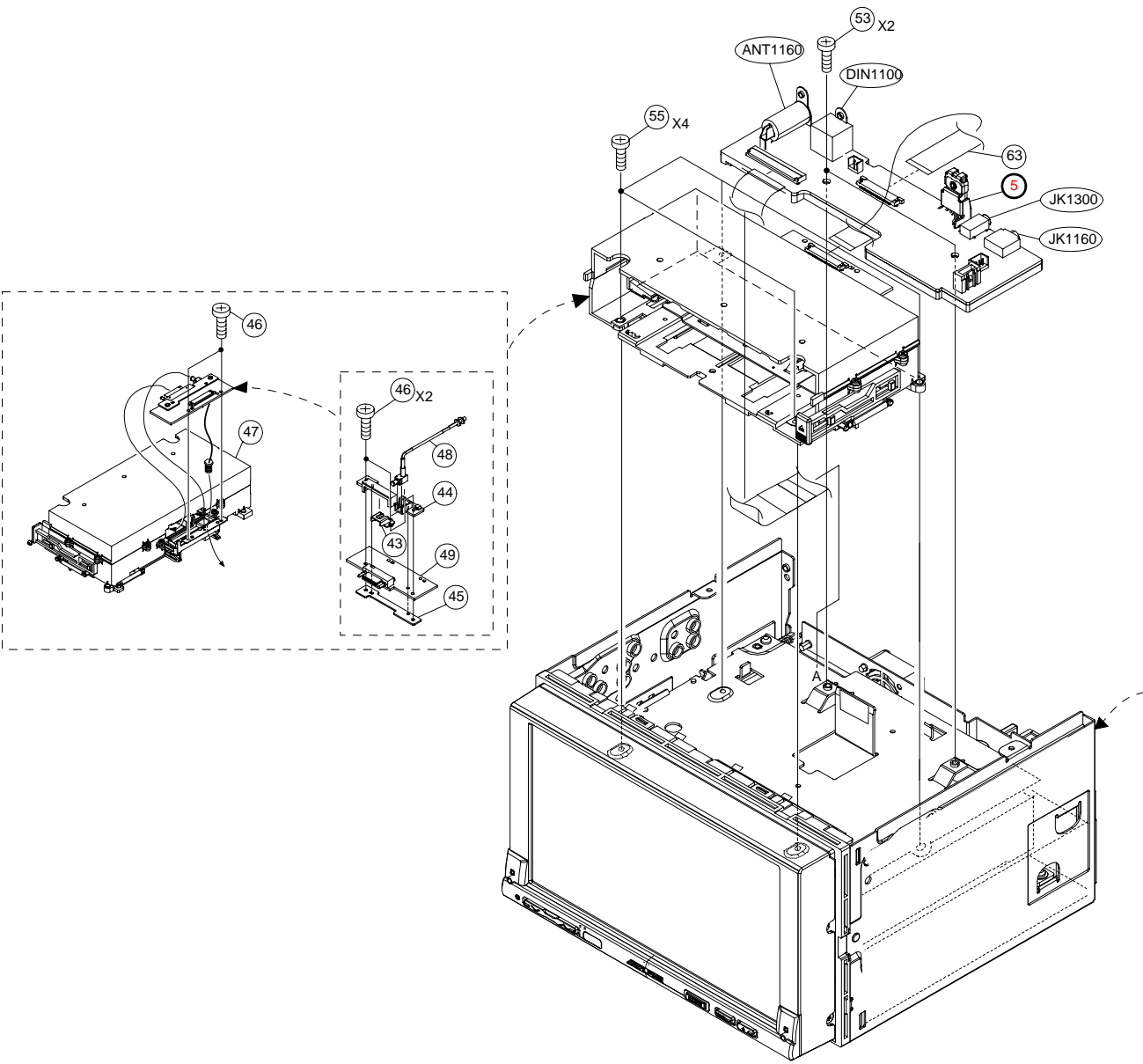
Model Code
IVA-W505

NOTE:The part that has not PART NUMBER will not be supplied.

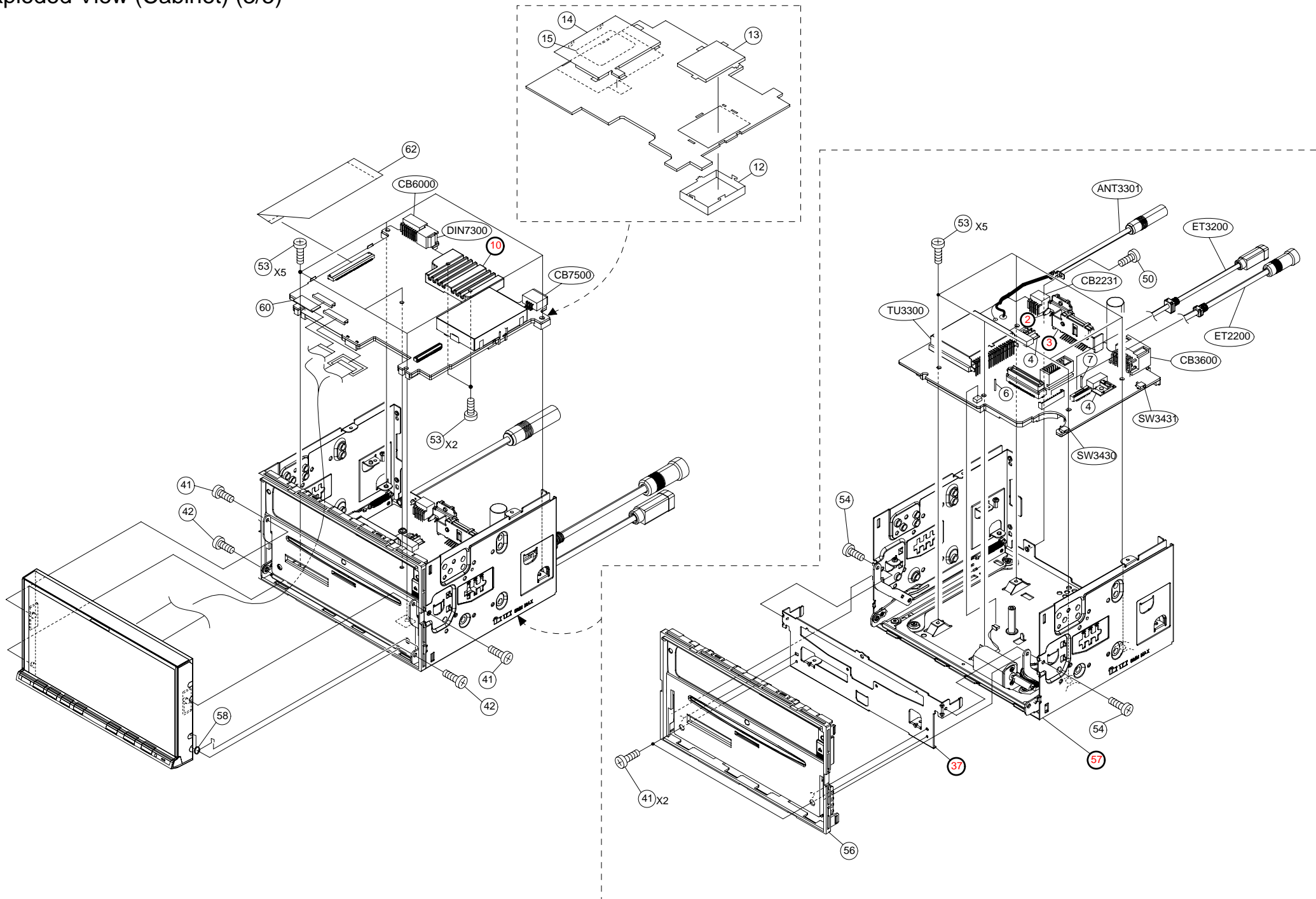
Exploded View (Cabinet) (1/5)



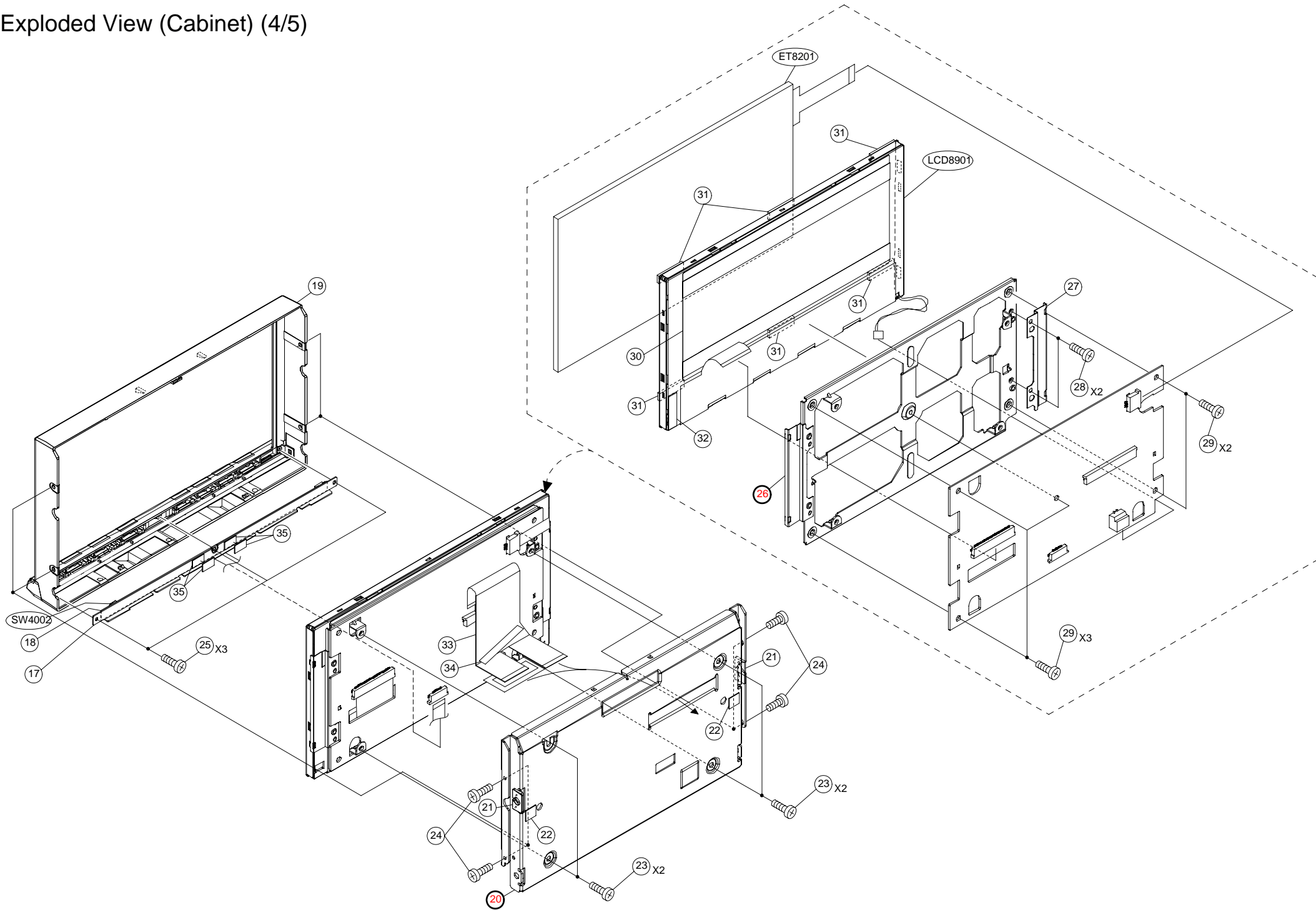
Exploded View (Cabinet) (2/5)



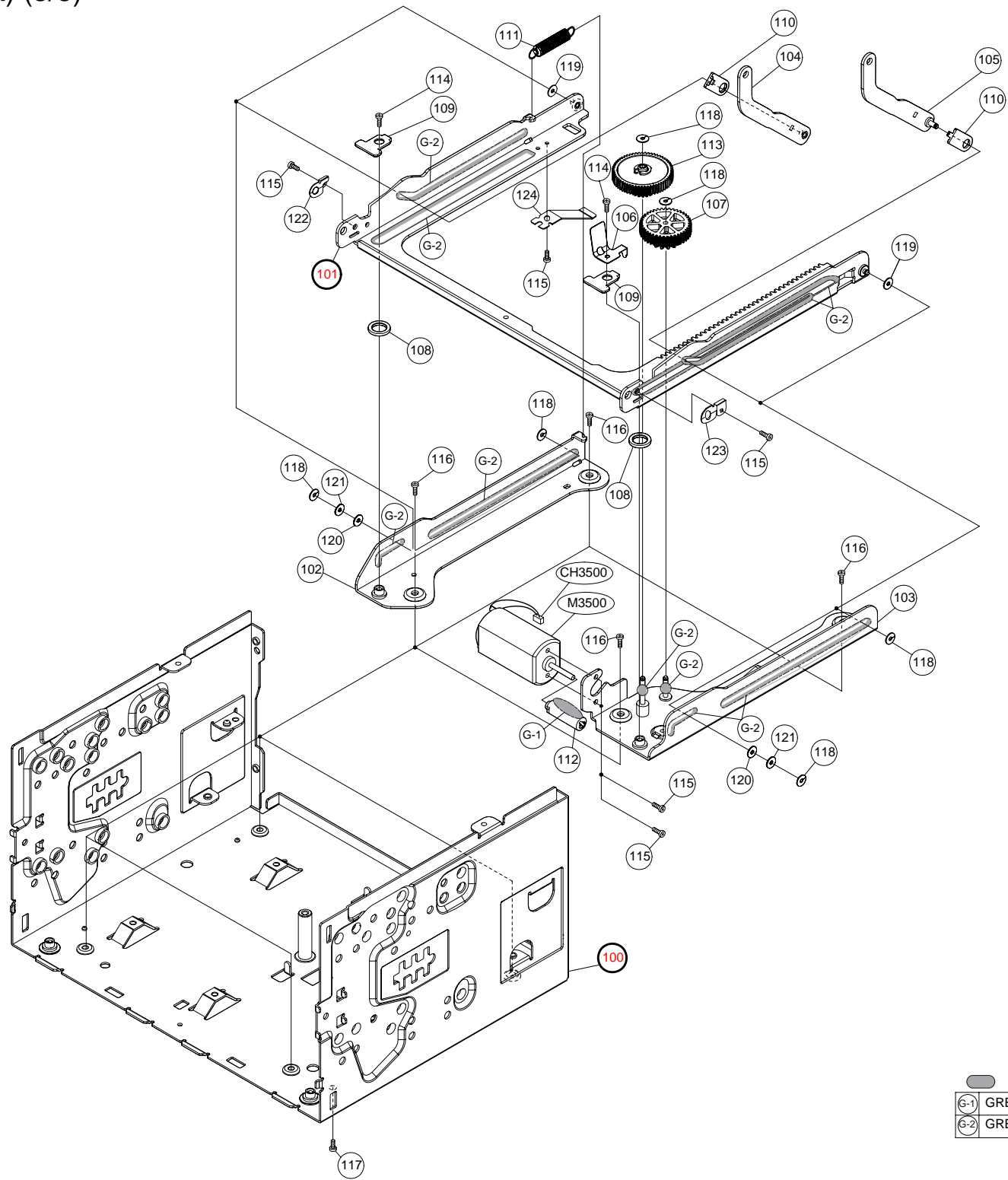
Exploded View (Cabinet) (3/5)



Exploded View (Cabinet) (4/5)



Exploded View (Cabinet) (5/5)



paint of GREASE applied.

G-1	GREASE,G-8007	(11S41558Y01)
G-2	GREASE,G-1017	(11T65588Y01)

MODEL	Symbol No.	Parts No.	Description
	2	-----	BKT,IC
	3	-----	BKT,IC W500
	4	36A04141K02	KNOB,SLIDE
	5	-----	BKT,IC W505 B
	6	09T84840F01	LUG,STYLE 18MM
	7	09T84840F02	LUG,STYLE 32MM
	10	-----	HEAT SINK,MIN
	11	54-09535Z01	LABEL,CHAS
	12	15-12105Z01	SHIELD,USB TOP
	13	15-12106Z01	SHIELD,USB BTM
	14	15-13079Z01	SHIELD,TUNER
	15	14-10120Z01	INS,SHIELD DVD
	17	07-12082Z01	BKT,FPC SW
	18	14-12064Z01	INS,TAPE FPC SW
	19	13-12533Z01	NOSE,MONITOR ASSY
	20	-----	ASSY,RIB BKT MONITOR
	21	43-12075Z01	BUSH,MONITOR
	22	75-06068Z06	CUS,RUB 7X7XT3
	23	03S60820Y18	SCR,MCH 2X3.5 ZNSA
	24	03-00712Z74	SCR,MCH 2X5 ZBEA
	25	03S60823Y40	SCR,P-T 1.7X4 ZN A
	26	-----	BKT,LCD ASSY
	27	07-12084Z01	BKT,LCD
	28	03S60827Y13	SCR,P-L 2X2.2 ZN A
	29	03S60822Y60	SCR,S-T 2.6X3 ZN A
	30	14-12063Z01	INS,CVR LCD
	31	75-06068Z71	CUS,RUB 15X2XT0.4
	32	14-13105Z01	INS,COVER LCD
	33	84-12793Z01	FPC,LCD RAAL703A
	34	75-06068Z25	CUS,RUB 33X5XT3
	35	14-06145Z78	INS,CVR 5X8.1XT0.3
	36	-----	HEAT SINK
	37	-----	BKT,ESC
	38	15-12104Z01	COVER,FAN
	39	-----	CHAS,MID ASSY
	40	-----	COVER,TOP
	41	03-00712Z72	SCR,MCH 2X3.5 ZBNA
	42	03-00354Z01	SCR,MCH 2X3.5 ABCA
	43	07-08809Z01	HOLDER GPS
	44	15-08811Z01	HOLDER CONN
	45	07-08810Z01	BKT,PLAT PWB
	46	03S94385F12	SCR,NYLOK M2X6 P2
	47	15-09472Z01	CASE,PMD DOCK ASSY
	48	09-10121Z01	ASSY,FX01T59-AW-EF
	49	84-13556Z01	ASSY,MAIN4 RAAL703A
	50	03S60822Y10	SCR,S-T 2.6X5 ZN A
	51	03S60822Y12	SCR,S-T 2.6X6 ZN A

Model Code
IVA-W505

NOTE:The part that has not PART NUMBER will not be supplied.

MODEL	Symbol No.	Parts No.	Description
	52	03S60822Y22	SCR,S-T 2.6X14 ZN A
	53	03T25225Y01	SCR,GND
	54	03S60820Y40	SCR,MCH 2.6X4 ZNNA
	55	03S60820Y43	SCR,MCH 2.6X6 ZNEA
	56	13-12534Z01	NOSE,BASE ASSY
	57	-----	JC24A040
	58	41-12155Z01	SPRING,NOSE
	59	15-13097Z01	PLATE,DOCK DOOR W505
	60	75-06068Z39	CUS,RUB 15X25XT1
	61	75S61553Y10	CUS,RUB 20X8XT1
	62	30-09684Z08	SML2CD-68X192-BDX6
	63	30-09684Z04	SML2CD-40X52-ADX6
	64	-----	BKT,DVD MECH
	65	14-12065Z01	INS,COVER MECH
	66	75-12724Z01	CUS,BTM MECH W505
	67	75-13706Z01	CUS,MECH
	68	DV-11553Z01	DV43M88B
	69	30-09684Z07	SML2CD-50X127-BDX6
	70	15-12691Z01	COVER,WIRE
	100	-----	CHAS,BASE ASSY
	101	-----	ASSY,RIV BKT SLIDER
	102	07-09071Z01	ASSY,RIV BASE L
	103	07-09020Z01	ASSY,RIV BASE R
	104	07-09021Z02	ASSY,RIV ARM L
	105	07-09022Z02	ASSY,RIV ARM R
	106	41-05899Z01	SPRING,WORM
	107	44-05901Z01	GEAR,DRIVE
	108	43-05902Z01	BUSH,SLIDER LOW
	109	43-09194Z01	BUSH,SLIDER UP
	110	43-05905Z01	BUSH,ARM
	111	41-08834Z01	SPRING,SLIDER
	112	44-02799Z03	GEAR,WORM
	113	44-11960Z01	GEAR,CLUTCH ASSY
	114	03S60820Y18	SCR,MCH 2X3.5 ZNSA
	115	03S60827Y13	SCR,P-L 2X2.2 ZN A
	116	03S94385F13	SCR,NYLOK M2.6X3
	117	03-00712Z31	SCR,MCH 2X2 ZBNA
	118	04B41345P23	WASH,1.7X5X0.35
	119	43-05904Z01	BUSH,SLIDER REAR
	120	04B41345P72	WAS,LOC 2.3X10X0.25
	121	04A10161Y09	WAS,SPR 3.4X7.4X0.06
	122	41-12842Z01	SPRING,MONITOR GND L
	123	41-12843Z01	SPRING,MONITOR GND R
	124	41-05886Z01	SPRING,CHAS
	ANT1160	09T25015Y01	ANT,RECEPTACLE -DB
	ANT3301	09-06103Z03	ASSY,ANID-0035-03A
	CB2231	09-07665Z01	WTB,S10B-PADSS-1 -DB

Model Code
IVA-W505

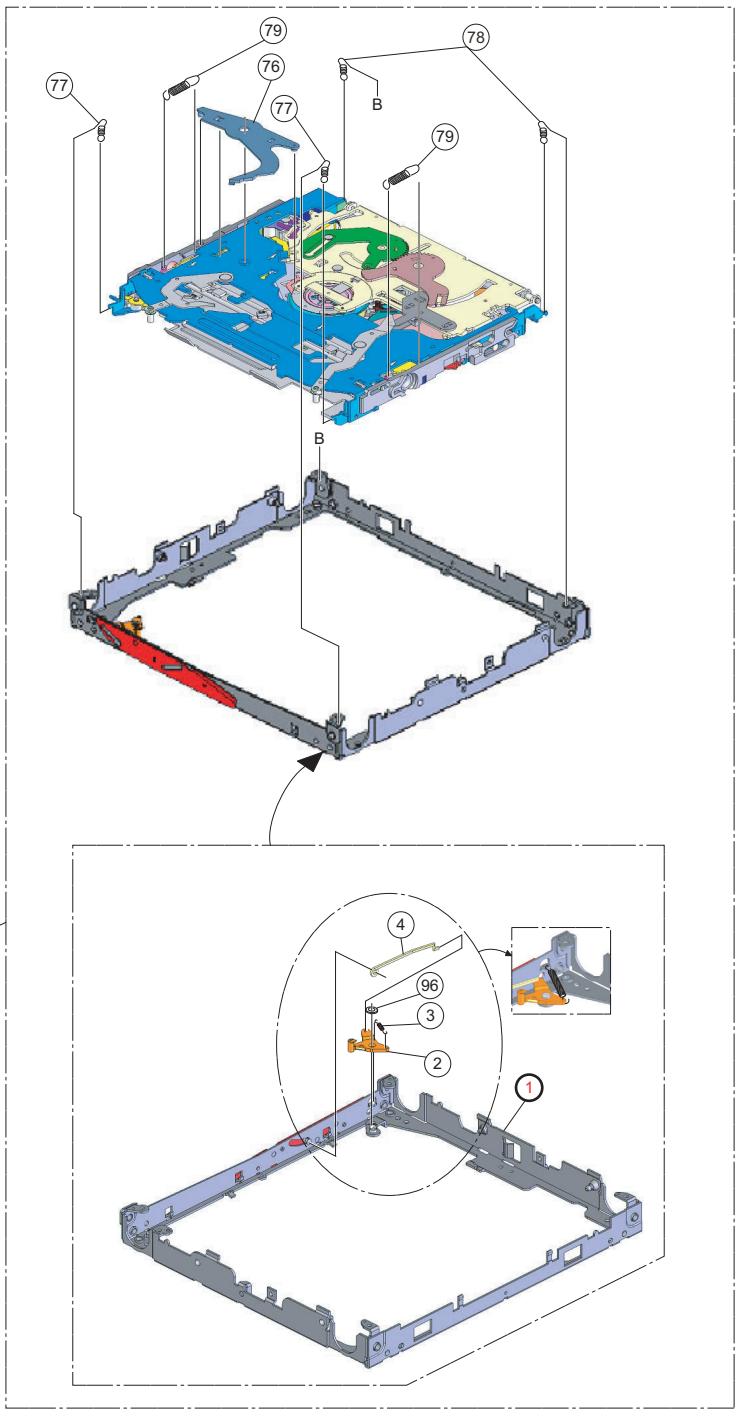
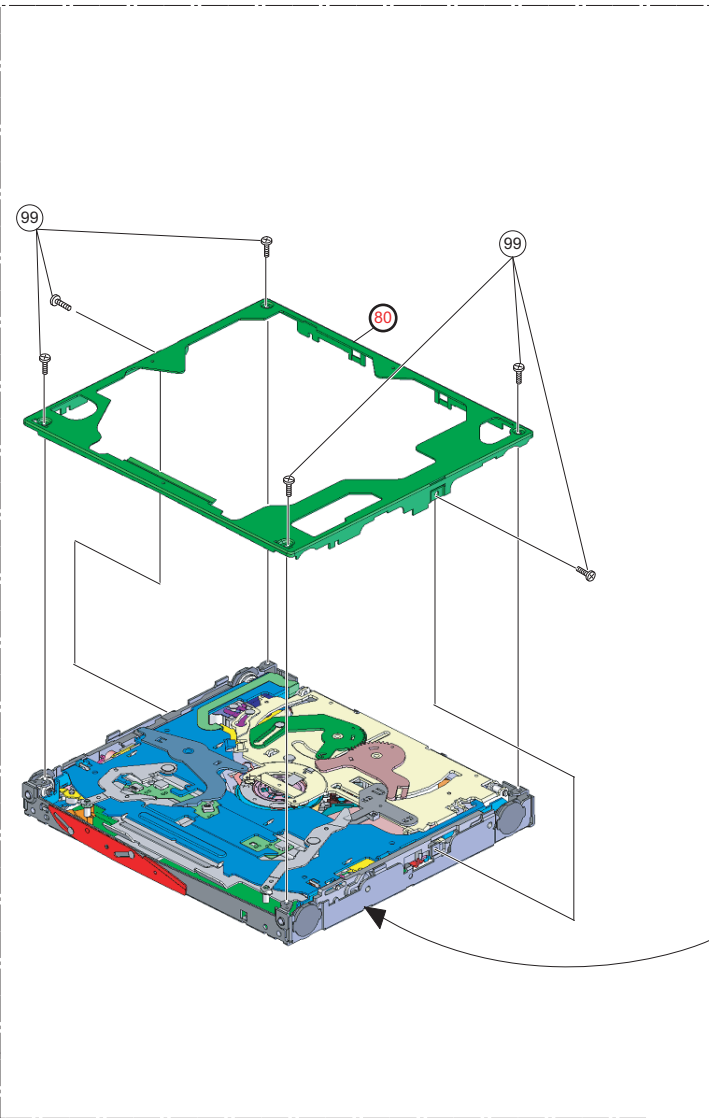
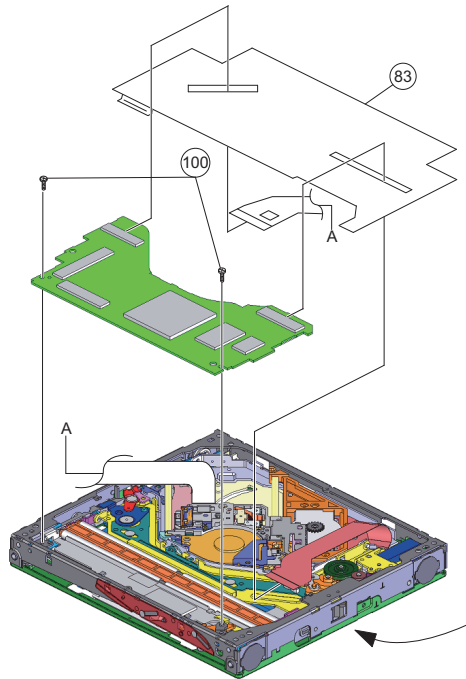
NOTE:The part that has not PART NUMBER will not be supplied.

MODEL	Symbol No.	Parts No.	Description
	CB3600	09T35473Y16	WTB,F169B001-16 -DB
	CB6000	09-07665Z03	WTB,S16B-PADSS-1 -DB
	CB7500	09-12732Z01	SKT,GT17H-4P-2H -EF
	CH3500	09-07002Z01	ASSY,ANIA-0001-01A
	DIN1100	09-08763Z01	DIN,SW-13-01 -DB
	DIN7300	09-11779Z01	DIN,CSK-M94T -DB
	ET1620	09-11977Z01	ASSY,EDA0025A
	ET2200	09-11732Z01	ASSY,ANID-0076-01A
	ET3200	09-08316Z01	ASSY,ANID-0045-01A
	ET8201	40-12211Z01	ASSY,EMU601A2A613
	JK1160	09T55293Y01	JAC,HSJ6061-01-440DB
	JK1300	09-12459Z01	JAC,HSJ1765-011075EA
	LCD8901	65-12593Z01	ASSY,C070VW03 V0
	M1650	59-06122Z01	MOTOR,D02X-12TS4(EX)
	M3500	59-02037Z01	MOTOR,FF-180SH-13260
	SW3430	40T15494Y15	SW,DETCT SPVG1107-E6
	SW3431	40T15494Y14	SW,DETCT SPVG2106-E6
	SW4002	40T65353Y01	SW,TACT SKRSPACE010E2
	TU3300	TU-04070Z05	TUNER,TFTE2U113C

Model Code
IVA-W505

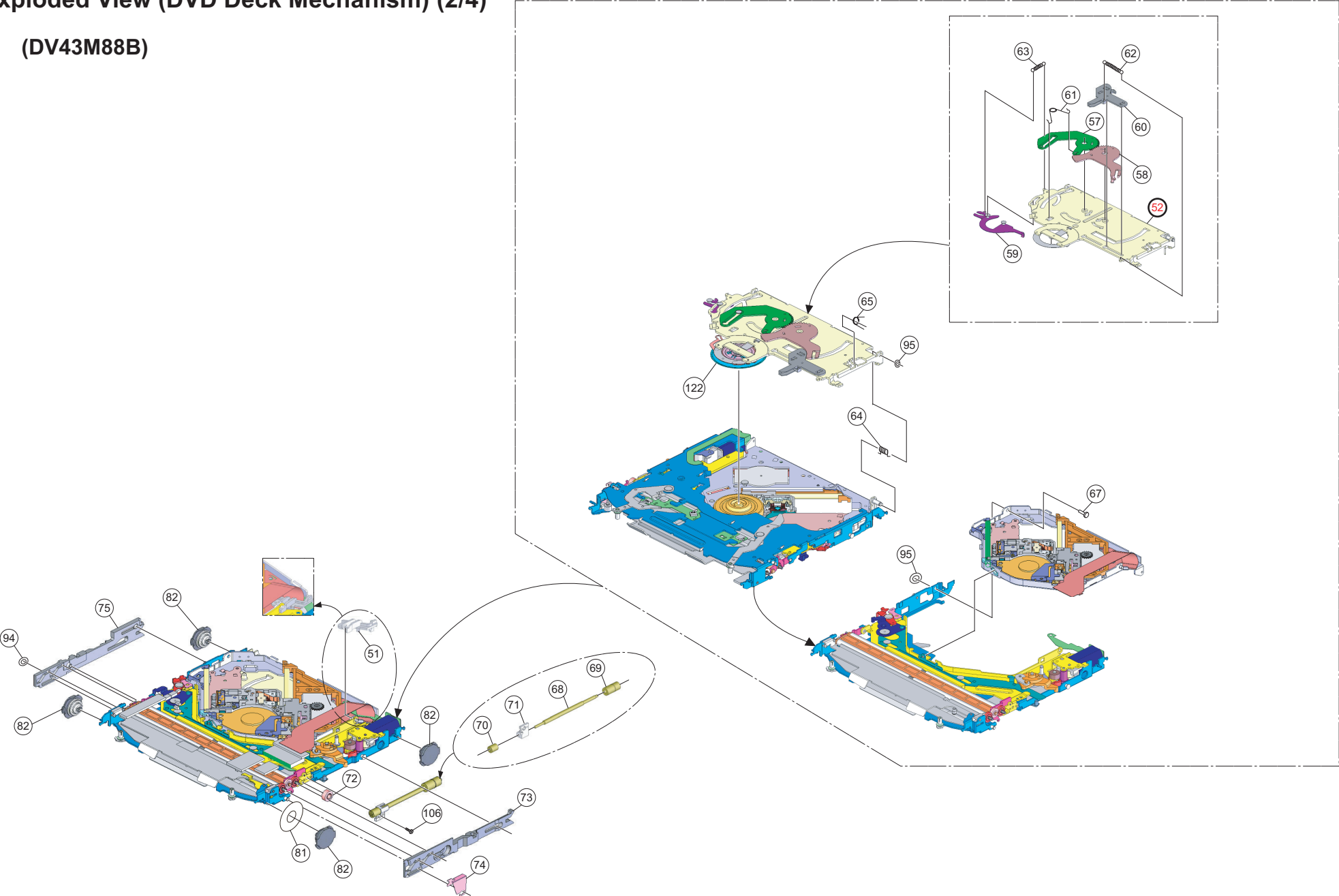
NOTE:The part that has not PART NUMBER will not be supplied.

**Exploded View
(DVD Deck Mechanism) (1/4)
(DV43M88B)**



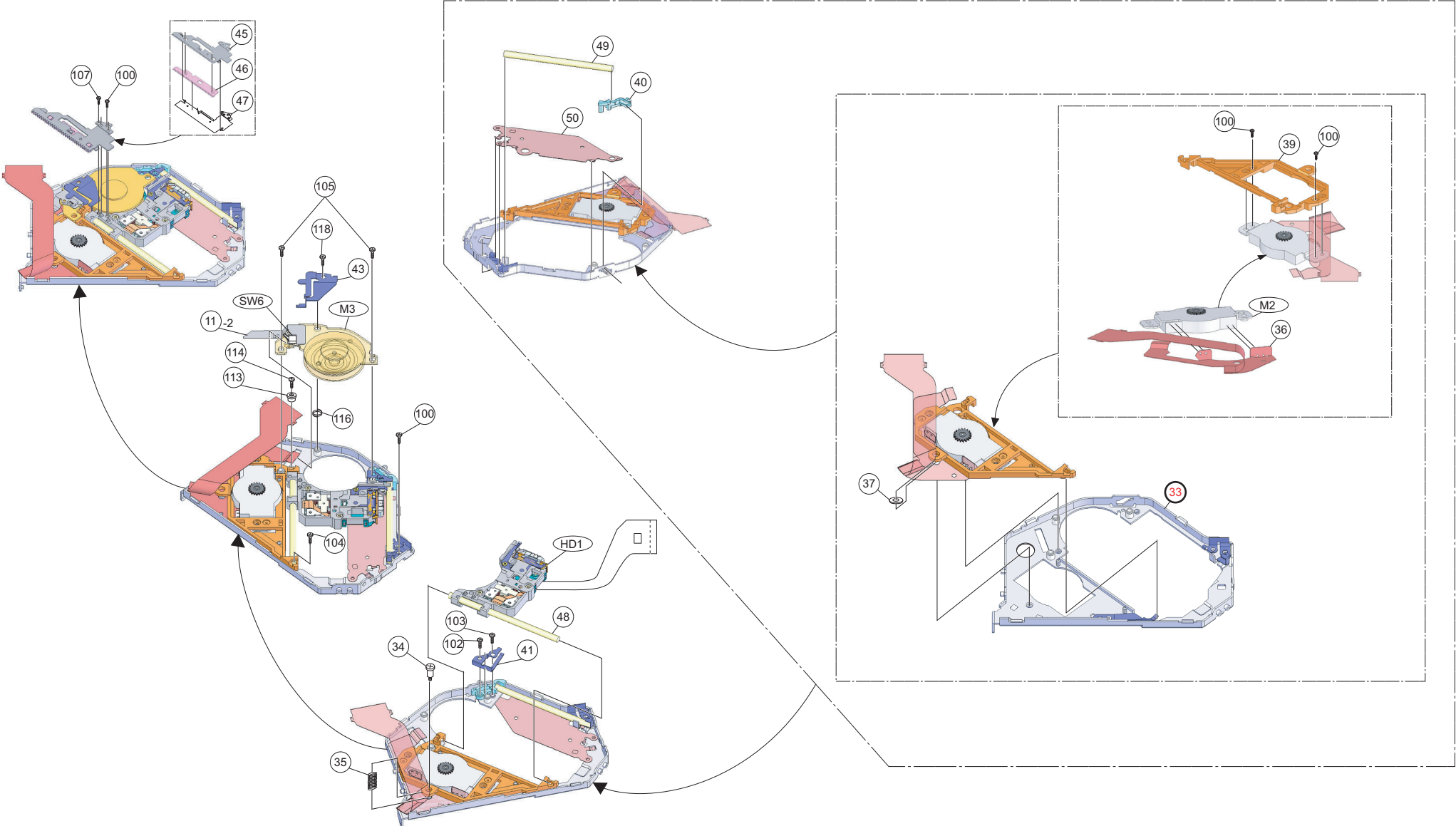
Exploded View (DVD Deck Mechanism) (2/4)

(DV43M88B)



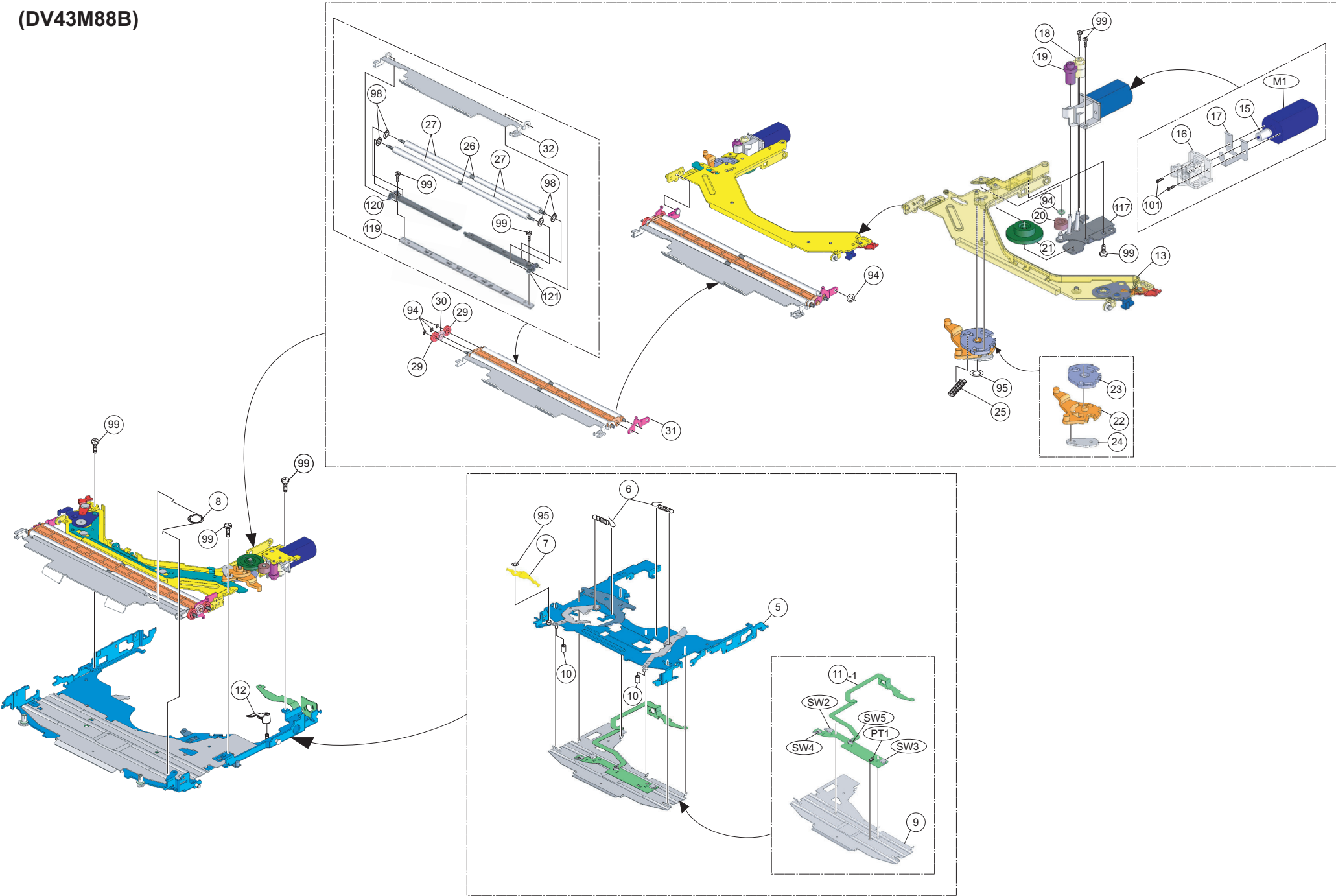
Exploded View (DVD Deck Mechanism) (3/4)

(DV43M88B)



Exploded View (DVD Deck Mechanism) (4/4)

(DV43M88B)



DVD Deck Mechanism Assembly Parts List

NOTE : The part that has not PART NUMBER will not be supplied.

1	-----	ASSY,RIV CHAS BASE T
2	45-09964Z03	LEVER,SHUT ASST T
3	41-09695Z01	SPRING,LEV SHUT ASST
4	41-07868Z01	SPRING,ROD SHUTTER
5	27-06681Z03	ASSY,RIV CHAS FLOAT
6	41-06769Z01	SPRING,LEV DISC SW
7	45-09113Z03	LEVER,SHUTTER FLOAT
8	41-12182Z01	SPRING,LEV SHT FLOAT
9	27-06440Z03	GUIDE, TOP
10	43-06451Z03	ROLLER DISC
11	84-09236Z01	FPC,DETECT
12	45-06682Z03	ASSY,RIV LEV TRIGER
13	27-06665Z03	ASSY,RIV CHAS LOAD
15	44-06453Z03	GEAR,LOAD(A)
16	07-06838Z03	BKT,COVER LOAD
17	41-06448Z03	SPRING LOAD MOTOR
18	44-06454Z03	GEAR,LOAD(B)
19	44-06455Z03	GEAR,LOAD(C)
20	44-06457Z03	GEAR,LOAD(E)
21	44-06458Z03	GEAR,LOAD(F)
22	44-06463Z03	GEAR,LOAD LINK(A)
23	44-06464Z03	GEAR,LOAD LINK(B)
24	45-06660Z03	ASSY,RIV LEV LOCK
25	41-06670Z01	SPRING,LOAD LINK
26	47-06519Z01	SHAFT,ROLLER
27	49-06683Z02	ROLLER,DV43M
29	44-06461Z03	GEAR,ROLLER(C)
30	44-06462Z03	GEAR,ROLLER(D)
31	07-09881Z03	ARM,ROLLER GUIDE(R)
32	07-09106Z03	ARM,DISC GUIDE
33	-----	ASSY,RIV CHAS PICKUP
34	46-09157Z01	STUD,ADUST SCREW
35	41-09156Z01	SPRING,DRIVE COIL
36	84-09239Z01	FPC,DRIVE(060)
37	14-09990Z01	INSULATOR,FPC DRIVE
39	07-06839Z03	BKT,CHASSIS SLED
40	07-06836Z03	BKT,SHAFT SUB
41	41-06444Z03	SPRING SHAFT SUB(A)
43	41-06445Z03	SPRING,SHAFT MAIN(A)
45	44-06465Z03	GEAR,RACK
46	44-06768Z03	GEAR,RACK SUB
47	15-06433Z03	BKT,RACK COVER
48	47-06520Z01	SHAFT,PICKUP MAIN
49	47-06521Z01	SHAFT,PICKUP SUB
50	15-06434Z03	COVER SUB
51	07-09965Z03	BKT,GUIDE FPC
52	-----	ASSY,RIV ARM CLAMP
57	45-06482Z03	LEVER,DISC(L)
58	45-06483Z03	LEVER,DISC(R)
59	45-06666Z03	ASSY,RIV LEV TRIG(D)
60	45-06484Z03	SLIDER,RETURN
61	41-09813Z01	SPRING,TORSION LEVER

62	41-06672Z01	SPRING,SLIDER RETURN
63	41-06673Z01	SPRING,LEV TRIG DISC
64	41-06674Z01	SPRING,ARM CLAMP(R)
65	41-09155Z01	SPRING,CLAMP ASSIST
67	46-06746Z01	STUD,CHASSIS PICK(R)
68	47-06518Z01	SHAFT,LOAD
69	44-06456Z03	GEAR,LOAD(D)
70	44-06459Z03	GEAR,ROLLER(A)
71	07-06837Z03	BKT,SHAFT LOAD
72	44-06460Z03	GEAR,ROLLER(B)
73	45-06478Z03	SLIDER,LOCK(L)
74	15-09921Z03	COVER,SLIDER
75	45-06479Z03	SLIDER,LOCK(R)
76	45-06404Z03	LEVER,CLAMP SW
77	41-07870Z02	SPRING,DRIVE F
78	41-07871Z02	SPRING,DRIVE R
79	41-06677Z01	SPRING,ROLLER
80	-----	CHASSIS, TOP T
81	14-09989Z01	INSULATOR,DAMPER
82	75-08608Z01	DAMPER,DV43M
83	15-06435Z01	COVER FPC DRIVE
94	04B41345P02	WASH,1.7X3.5X0.25
95	04B41345P12	WASH,L. 1.7X3.5X0.35
96	04B41345P45	WASH,2.1X4.5X0.35
98	04S40075G91	WAS,LOC 2.1X3.8X0.13
99	03S94385F07	SCR,NYLOK M2X2
100	03S94385F19	SCR,NYLOK M2X2.5
101	03S60827Y04	SCR,P-L 1.4X2 ZN A
102	03S94385F18	SCR,NYLOK M2X3.5
103	03S94385F11	SCR,NYLOK M2X5 P2
104	03S94385F22	SCR,NYLOK M2X7.5
105	03S94385F98	SCR,NYLOK M2X2.5
106	03-00712Z10	SCR,MCH 2X2.2 ZBNA
107	03S60827Y11	SCR,P-L 1.4X2.5 ZN A