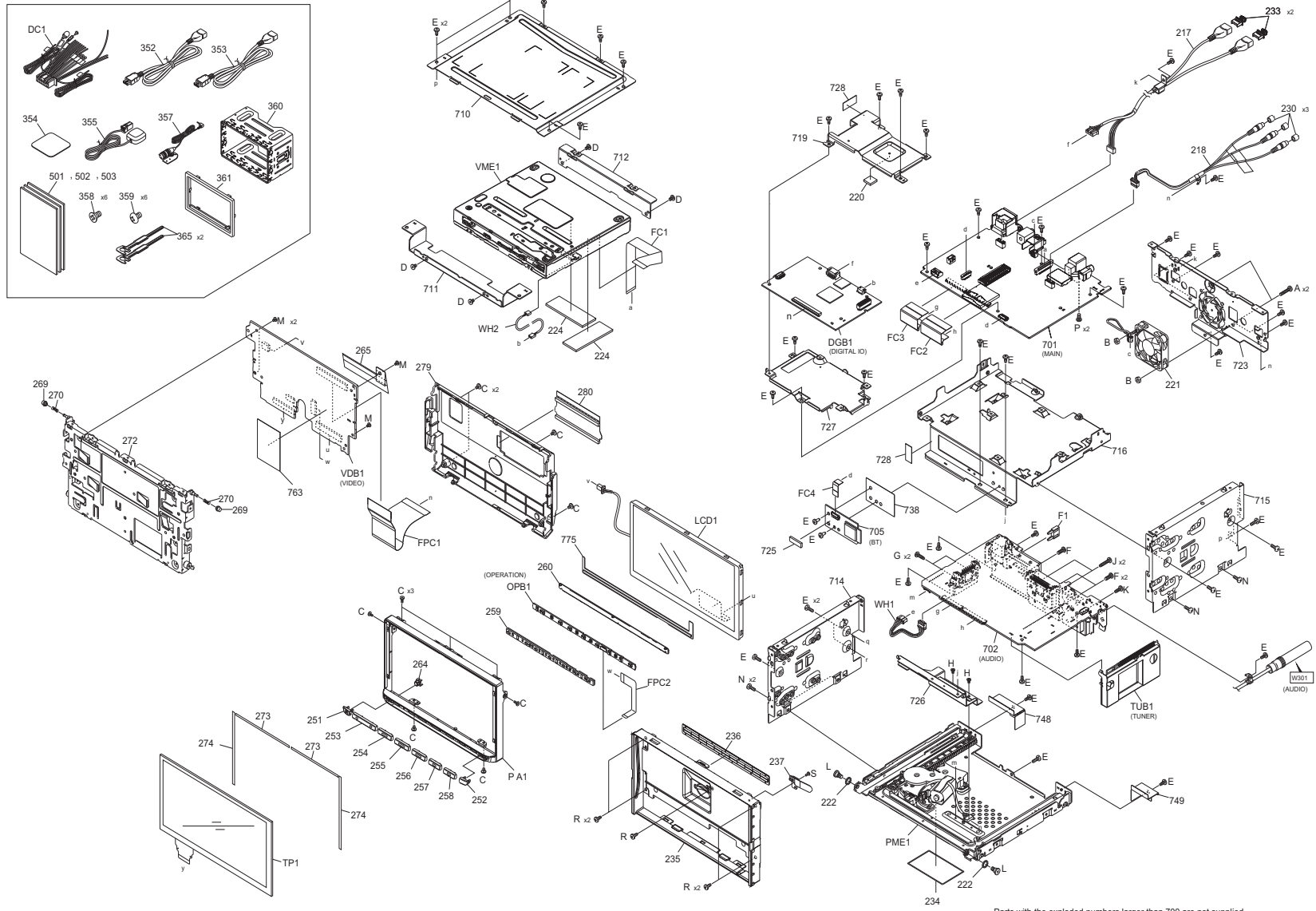


EXPLODED VIEW (UNIT)



Parts with the exploded numbers larger than 700 are not supplied.

created date:2018-05-30

MODEL	MARK
DDX8905S	

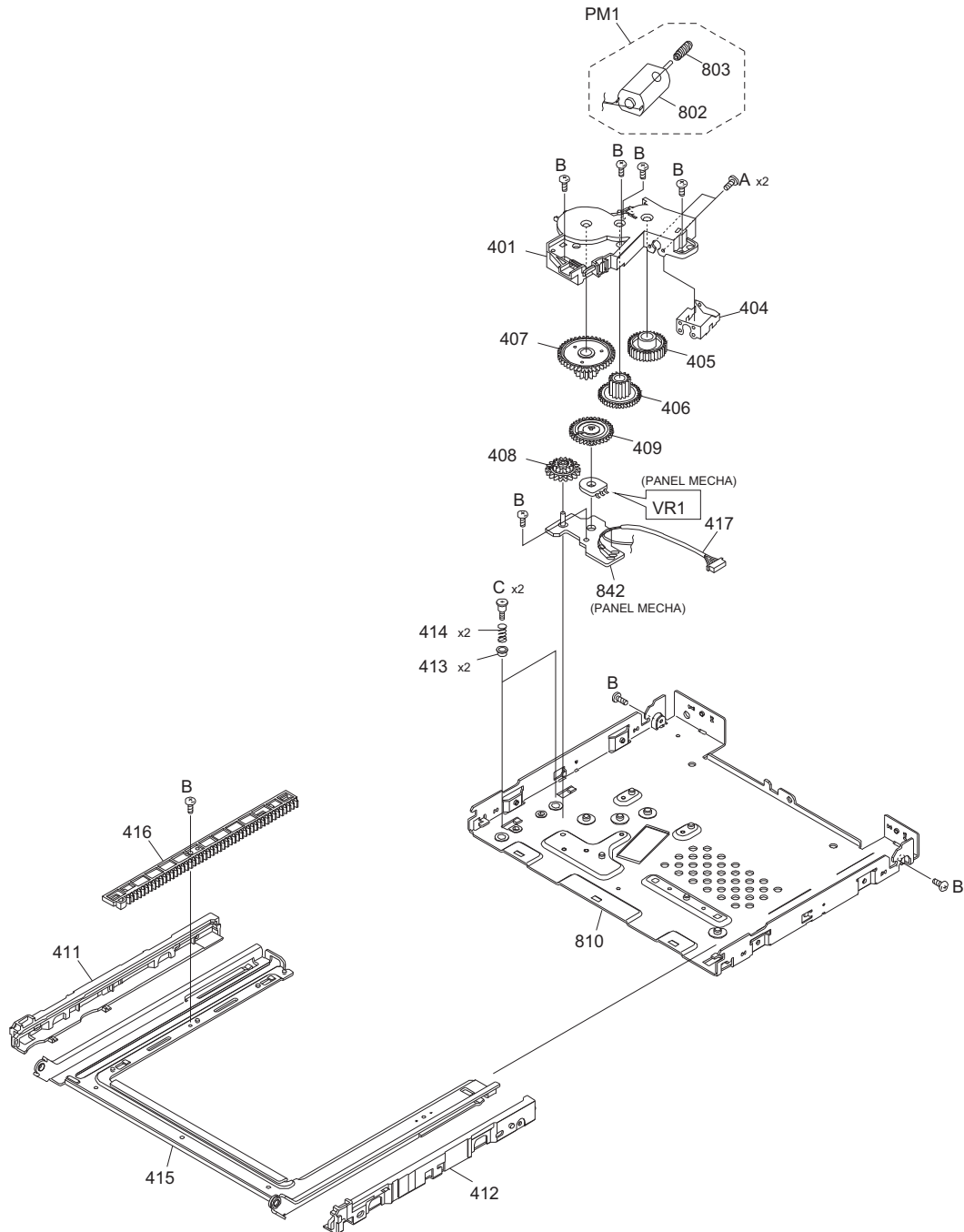
Safe	Symbol No.	Parts No.	Parts Name	Description	QTY	Local
EXPLODED VIEW (UNIT) <M1MM>						
	DC1	E3A-0358-00	DC CORD		1	
	DGB1	CB-XJA060K04N	DIGITAL IO PWB ASSY	XJA-060K-04	1	
	OPB1	CB-XJ7042K00N	OPERATION PWB ASSY	XJ7-042K-00	1	
	TUB1	XJH-192K-01	TUNER PWB ASSY	XJM-019K-02	1	
	VDB1	CB-XJ8023K05N	VIDEO PWB ASSY	XJ8-023K-05	1	
△	F1	FZB10AU-150	BLADE FUSE	15A	1	
	FC1	E3F-0111-00	FLAT CABLE		1	
	FC2	EF0AD0560X4BC	FFC WIRE		1	
	FC3	EF0AD0550X4BC	FFC WIRE		1	
	FC4	EF0AA051503AC	FFC WIRE		1	
	FPC1	J8K-0012-10	FLEX P.BOARD		1	
	FPC2	E3J-0011-00	FPC		1	
	LCD1	B3H-0015-20	LCD		1	
	PA1	A6C-0063-0U	PANEL		1	
	PME1	X92-676W-01	MECHANISM ASSY		1	
	TP1	W0C-0329-00	TOUCH PANEL		1	
	VME1	FD2-3A00NXN	DVD MECHA MODUL		1	
	WH1	E3F-0116-00	WIRING HARNESS		1	
	WH2	E3F-0112-00	WIRING HARNESS		1	
	A	LV45522-001A	SPECIAL SCREW		2	
	B	QYNTS2600ZA	NUT	M2.6	2	
	C	LV45701-003A	SPECIAL SCREW		11	
	D	LV45552-003A	SPECIAL SCREW		4	
	E	QYSDST2606ZA	TAP SCREW	M2.6 x 6mm	44	
	F	QYSPSG3008ZA	TAP SCREW	M3 x 8mm	3	
	G	QYSDST2610ZA	TAP SCREW	M2.6 x 10mm	2	
	H	VKZ4539-054	MINI SCREW		2	
	J	QYSPST2614ZA	TAP SCREW	M2.6 x 14mm	2	
	K	QYSDSF2608ZA	TAP SCREW	M2.6 x 8mm	1	
	L	N09-6909-05	STEPPED SCREW		2	
	M	QYSDST2005ZA	TAP SCREW	M2 x 5mm	4	
	N	N0Z-0150-00	TAPTITE SCREW		4	
	P	QYSDSG3006ZA	TAP SCREW	M3 x 6mm	2	
	R	QYSDST2606MA	TAP SCREW	M2.6 x 6mm	5	
	S	N09-6904-05	TAPTITE SCREW		1	
	217	E3A-0362-10	CORD W.CON.		1	
	218	E3A-0421-00	CORD W.CON.		1	
	220	F0C-0071-00	COOL SHEET		1	
	221	F0K-0240-00	FAN		1	
	222	G1A-0048-00	CUSHION		2	
	224	G1B-0071-0G	CUSHION		2	
	230	F2K-0012-00	INS.COVER		3	
	233	LV45959-001A	CAP		2	
	234	G1B-0346-00	SHEET		1	
	235	A2C-0034-0B	SUB PANEL		1	
	236	LV45134-003A	BLIND		1	
	237	B1K-0049-00	LIGHTING BOARD		1	
	251	A2B-0103-02	DRESSING PANEL		1	
	252	A2B-0104-02	DRESSING PANEL		1	
	253	K2K-0235-00	KNOB ASSY	VOLUME	1	
	254	K2K-0236-11	KNOB ASSY	CAM	1	
	255	K2K-0237-01	KNOB ASSY	HOME	1	
	256	K2K-0238-11	KNOB ASSY	MENU	1	
	257	K2K-0239-11	KNOB ASSY	APPS	1	
	258	K2K-0240-10	KNOB ASSY	EJECT	1	
	259	B1K-0071-00	LIGHTING BOARD		1	
	260	J1K-0419-10	HOLDER		1	
	264	B1A-0070-00	FRONT GLASS		1	
	265	LV45980-001A	SHIELD SHEET		1	
	269	LV44469-001A	ROLLER		2	
	270	LV44468-002A	SPRING		2	
	272	J2B-0226-01	BRACKET ASSY		1	
	273	F0K-0224-00	SHEET		2	
	274	F0K-0224-01	SHEET		2	
	279	A4G-0045-00	REAR COVER		1	
	280	F1K-0041-00	COVER SHEET		1	
	352	E3A-0364-00	USB CORD	BLACK	1	
	353	E3A-0365-00	USB CORD	GRAY	1	
	354	LV45939-001A	GPS BRACKET		1	
	355	QAL1550-001	ANTENNA		1	
	357	QAN0137-001	MICROPHONE		1	
	358	QYSSSP5008ZA	SCREW	M5 x 8mm	6	
	359	QYSTSP5008ZA	SCREW	M5 x 8mm	6	
	360	LV22876-001A	SLEEVE ASSY		1	
	361	B07-3237-41	ESCUTCHEON		1	
	365	LV45516-001A	LEVER		2	
	501	B5A-2301-00	INST.MANUAL	ENG	1	
	502	B5A-2301-01	INST.MANUAL	FRE	1	
	503	B5A-2301-02	INST.MANUAL	SPA	1	
	701	-----	MAIN PWB ASSY	NO SERVICE PART	1	
	702	-----	AUDIO PWB ASSY	NO SERVICE PART	1	
	705	-----	BT PWB ASSY	NO SERVICE PART	1	
	710	-----	TOP PLATE	NO SERVICE PART	1	
	711	-----	BRACKET	NO SERVICE PART	1	
	712	-----	BRACKET	NO SERVICE PART	1	
	714	-----	SIDE PLATE	NO SERVICE PART	1	
	715	-----	SIDE PLATE	NO SERVICE PART	1	
	716	-----	SUB CHASSIS	NO SERVICE PART	1	
	719	-----	HEAT SINK	NO SERVICE PART	1	
	723	-----	REAR PANEL	NO SERVICE PART	1	
	725	-----	CUSHION	NO SERVICE PART	1	
	726	-----	BRACKET	NO SERVICE PART	1	
	727	-----	BRACKET	NO SERVICE PART	1	

MODEL	MARK
DDX8905S	

Safe	Symbol No.	Parts No.	Parts Name	Description	QTY	Local
	728	-----	SPACER(H)	NO SERVICE PART	2	
	738	-----	SHEET	NO SERVICE PART	1	
	748	-----	BRACKET	NO SERVICE PART	1	
	749	-----	BRACKET	NO SERVICE PART	1	
	763	-----	SPACER	NO SERVICE PART	1	
	775	-----	HOLDER ASSY	NO SERVICE PART	1	

EXPLODED VIEW (PANEL MECHA ASSY)

Block No.M2MM



Parts with the exploded numbers larger than 800 are not supplied.

No.WA348

created date:2018-05-30

MODEL	MARK
DDX8905S	

Safe	Symbol No.	Parts No.	Parts Name	Description	QTY	Local
EXPLODED VIEW (PANEL MECHA ASSY) <M2MM>						
PM1		XKL-0030-00	MOTOR ASSY		1	
A		N09-6886-05	MACHINE SCREW		2	
B		N0Z-0159-00	TAPTITE SCREW		8	
C		N09-6899-05	STEPPED SCREW		2	
401		J19-7350-01	HOLDER		1	
404		G02-1923-23	FLAT SPRING		1	
405		D13-3089-03	GEAR(WHEEL)		1	
406		D13-3090-03	GEAR(ACT)		1	
407		D13-3091-13	GEAR(DRIVE)		1	
408		D13-3092-13	GEAR(S.ACT)		1	
409		D13-3093-03	GEAR(SENSOR)		1	
411		J9A-0010-10	SLIDE RAIL L		1	
412		J9A-0011-10	SLIDE RAIL R		1	
413		D14-1039-04	ROLLER		2	
414		G09-2098-04	WIRE SPRING		2	
415		D1A-0036-10	SLIDER ASSY		1	
416		D13-3094-02	GEAR(RACK)		1	
417		E3K-0198-00	LEAD WIRE		1	
802		-----	DC MOTOR	NO SERVICE PART	1	
803		-----	GEAR(WORM)	NO SERVICE PART	1	
810		-----	CHASS.CALK.ASSY	NO SERVICE PART	1	
842		-----	PANEL MACHA PWB ASSY	NO SERVICE PART	1	

MODEL	MARK
DDX8905S	

Safe	Symbol No.	Parts No.	Parts Name	Description	QTY	Local
EXPLODED VIEW (DVD MECHANISM: FD2-3A00NXN) <MJMM>						
	VM1	CM-FD2-ALM	LOADING M ASSY		1	
	VT1	CM-FD2-ATM2	TM ASSY		1	
	A	LV44959-002A	SPECIAL SCREW		16	
	B	LV45727-001A	GEAR SCREW		2	
	C	QYSPSPU1425MA	SCREW	M1.4 x 2.5mm	2	
	D	VKZ4539-054	MINI SCREW		3	
	F	LV44586-001A	SPECIAL SCREW		1	
	4	LV45709-002A	CLAMP SPRING		1	
	7	LV23006-002A	GUIDE 2 L		1	
	8	LV23007-002A	GUIDE 2 R		1	
	9	LV11842-004A	DISC GUIDE		1	
	14	LV45704-001A	DAMPER SHAFT		4	
	15	LV45724-001A	RUBBER ROLLER		2	
	17	LV37652-002A	SHAFT GUIDE		1	
	18	LV39938-001A	GEAR RETAINER		1	
	19	LV45730-001A	ROLLER C WASHER		1	
	20	CM-FD2-AROS	RO SHAFT ASSY		1	
	21	LV45731-001A	ROLLER WASHER		1	
	22	LV45718-001A	ROLLER RETAINER		1	
	23	LV23003-002A	ROLLER HOLDER		1	
	24	LV45982-001A	ROLLER SPG R2		1	
	26	LV39932-003A	TRIGGER SLIDER		1	
	27	LV45715-001A	TRIGGER SPRING		1	
	28	LV23004-004A	SLIDER		1	
	29	LV39935-003A	SLIDER SPRING		1	
	31	LV39929-001A	DRIVE GEAR 4		1	
	32	LV39928-001A	DRIVE GEAR 3		3	
	33	LV39927-001A	DRIVE GEAR 2		1	
	34	LV39926-001A	DRIVE GEAR 1		1	
	35	LV23005-001A	GEAR HOLDER		1	
	36	LV39923-003A	UD LEVER		1	
	37	LV45983-001A	ROLLER SPG L2		1	
	38	LV39934-001A	DAMPER		4	
	39	LV45719-001A	PU FPC SHEET		1	
	802	-----	CLAMP ARM ASSY	NO SERVICE PART	1	
	805	-----	BOTTOM CHASSIS	NO SERVICE PART	1	
	806	-----	TOP CHASSIS	NO SERVICE PART	1	
	810	-----	CLAMPER CUSHION	NO SERVICE PART	1	
	811	-----	CL A CUSHION B	NO SERVICE PART	1	
	812	-----	CL A CUSHION A	NO SERVICE PART	1	
	825	-----	ROLLER ARM	NO SERVICE PART	1	
	830	-----	GEAR BKT	NO SERVICE PART	1	
	840	-----	SPACER(H)	NO SERVICE PART	2	
	841	-----	BOTTOM SHEET	NO SERVICE PART	1	
	842	-----	DVD MECHA PWB ASSY	NO SERVICE PART	1	
	847	-----	LOADING MOTOR	NO SERVICE PART	1	
	848	-----	SIN TWIST WIRE	NO SERVICE PART	1	
	849	-----	SIN TWIST WIRE	NO SERVICE PART	1	
	850	-----	WORM GEAR	NO SERVICE PART	1	
	851	-----	TM CHASSIS ASSY	NO SERVICE PART	1	
	852	-----	FEED MOTOR	NO SERVICE PART	1	
	853	-----	SPINDLE MOTOR	NO SERVICE PART	1	
	854	-----	SUB SHAFT	NO SERVICE PART	1	
	855	-----	SUB SHAFT SP	NO SERVICE PART	1	
	856	-----	DVD OPT.PICKUP	NO SERVICE PART	1	
	857	-----	PICKUP ARM	NO SERVICE PART	1	
	858	-----	PICKUP ARM SP	NO SERVICE PART	1	
	859	-----	SHAFT	NO SERVICE PART	1	
	860	-----	MAIN SHAFT SP 2	NO SERVICE PART	1	
	861	-----	MAIN SHAFT SP	NO SERVICE PART	1	
	862	-----	TM COVER MAIN	NO SERVICE PART	1	
	863	-----	TM COVER SUB	NO SERVICE PART	1	
	864	-----	ROLLER SHAFT	NO SERVICE PART	1	
	865	-----	ROLLER GEAR	NO SERVICE PART	1	
	866	-----	SCREW	NO SERVICE PART	1	

MODEL	MARK
DDX8905S	

Safe	Symbol No.	Parts No.	Parts Name	Description	QTY	Local
MAIN PWB ASSY(XJ1-192K-02) <XJ1>						
	IC31	MP9943AGQ	ANALOG IC		1	
	IC51	MP9943AGQ	ANALOG IC		1	
	IC52	TC7SH08FUJF	MOS IC		1	
	IC91	MP9942AGJ	ANALOG IC		1	
	IC92	TC7SH08FUJF	MOS IC		1	
	IC110	BA2904WV	ANALOG IC		1	
	IC131	MP9942AGJ	ANALOG IC		1	
	IC132	TC7SH08FUJF	MOS IC		1	
	IC150	BA2904WV	ANALOG IC		1	
	IC201	NJM2819ADL333	BIPOLAR IC		1	
	IC205	XC6223B331P-G	ANALOG IC		1	
	IC207	BD00C0AWFP	MOS IC		1	
	IC301	W3F-0374-00	MCU IC		1	
	IC302	XC6120N282N-G	MOS IC		1	
	IC303	TC7SH08FUJF	MOS IC		1	
	IC304	BR24T32FVT-W	ROM IC		1	
	IC305	NJU7108F3	MOS IC		1	
	IC501	AK7738VQ	MOS IC		1	
	IC502	AK4388AET	ANALOG IC		1	
	IC503	AK4388AET	ANALOG IC		1	
	IC506	AK4388AET	ANALOG IC		1	
	IC507	XC6209B502P-G	MOS IC		1	
	IC508	BU33TD3WG	MOS IC		1	
	IC601	NJM4580CV	ANALOG IC		1	
	IC602	NJM2871BF05	ANALOG IC		1	
	IC721	TC7SH08FUJF	MOS IC		1	
	IC722	TC7SZ125FUF	MOS IC		1	
	IC731	TC7SH08FUJF	MOS IC		1	
	IC732	TC7SZ125FUF	MOS IC		1	
	IC871	NJW1341VC3	MOS IC		1	
	IC872	XC6209B502P-G	MOS IC		1	
	IC921	NJG1143UA2	MOS IC		1	
	IC922	XC6213B332N-G	MOS IC		1	
	IC923	BU18TD3WG	MOS IC		1	
	IC951	BD00KA5WFP	MOS IC		1	
	Q1	MTM98140-X	TRANSISTOR		1	
	Q3	LTC014YEBFS8	DIGI TRANSISTOR		1	
	Q4	LSCR523EBFS8	TRANSISTOR		1	
	Q5	LSAR523EBFS8	TRANSISTOR		1	
	Q6	LTA014TUBFS8	DIGI TRANSISTOR		1	
	Q7	LSCR523EBFS8	TRANSISTOR		1	
	Q8	LSAR523EBFS8	TRANSISTOR		1	
	Q9	LTC014YEBFS8	DIGI TRANSISTOR		1	
	Q10	LTC014YEBFS8	DIGI TRANSISTOR		1	
	Q11	LSCR523EBFS8	TRANSISTOR		1	
	Q12	LSAR523EBFS8	TRANSISTOR		1	
	Q51	LTC044EEBFS8	DIGI TRANSISTOR		1	
	Q52	LTA014YEBFS8	DIGI TRANSISTOR		1	
	Q110	LTC044EEBFS8	DIGI TRANSISTOR		1	
	Q111	LTC044EEBFS8	DIGI TRANSISTOR		1	
	Q112	LSCR523EBFS8	TRANSISTOR		1	
	Q113	LSAR523EBFS8	TRANSISTOR		1	
	Q114	LTC014YEBFS8	DIGI TRANSISTOR		1	
	Q115	LTC014YEBFS8	DIGI TRANSISTOR		1	
	Q116	LTC044EEBFS8	DIGI TRANSISTOR		1	
	Q117	LTA014YEBFS8	DIGI TRANSISTOR		1	
	Q150	LTC044EEBFS8	DIGI TRANSISTOR		1	
	Q151	LTC044EEBFS8	DIGI TRANSISTOR		1	
	Q152	LSCR523EBFS8	TRANSISTOR		1	
	Q153	LSAR523EBFS8	TRANSISTOR		1	
	Q154	LTC014YEBFS8	DIGI TRANSISTOR		1	
	Q155	LTC014YEBFS8	DIGI TRANSISTOR		1	
	Q156	LTC044EEBFS8	DIGI TRANSISTOR		1	
	Q157	LTA014YEBFS8	DIGI TRANSISTOR		1	
	Q301	2SB1689	TRANSISTOR		1	
	Q302	LTC014YEBFS8	DIGI TRANSISTOR		1	
	Q303	LSAR523EBFS8	TRANSISTOR		1	
	Q304	LSAR523EBFS8	TRANSISTOR		1	
	Q305	LTC044EEBFS8	DIGI TRANSISTOR		1	
	Q306	LTC014YEBFS8	DIGI TRANSISTOR		1	
	Q307	LTC014YEBFS8	DIGI TRANSISTOR		1	
	Q312	LTA014TEBFS8	DIGI TRANSISTOR		1	
	Q313	LTC014EEBFS8	DIGI TRANSISTOR		1	
	Q314	LTC014EEBFS8	DIGI TRANSISTOR		1	
	Q315	LTC014YEBFS8	DIGI TRANSISTOR		1	
	Q316	LTC014YEBFS8	DIGI TRANSISTOR		1	
	Q317	LSCR523EBFS8	TRANSISTOR		1	
	Q318	LSAR523EBFS8	TRANSISTOR		1	
	Q319	LTC014YEBFS8	DIGI TRANSISTOR		1	
	Q501	LTC014YEBFS8	DIGI TRANSISTOR		1	
	Q502	LTC014YEBFS8	DIGI TRANSISTOR		1	
	Q921	LTC014YEBFS8	DIGI TRANSISTOR		1	
	Q922	LTC014YEBFS8	DIGI TRANSISTOR		1	
	D1	RB080L-30	SCHOTTKY DIODE		1	
	D2	DA2J101	DIODE		1	
	D3	DZ2J160M	ZENER DIODE		1	
	D5	DZ2J062M	ZENER DIODE		1	
	D6	DZ2J062M	ZENER DIODE		1	
	D201	GS1J-LTP	DIODE		1	
	D202	DA2J101	DIODE		1	
	D301	DA2J101	DIODE		1	

MODEL	MARK
DDX8905S	

Safe	Symbol No.	Parts No.	Parts Name	Description	QTY	Local
	D601	DZ2J110M	ZENER DIODE		1	
	D602	DZ2J110M	ZENER DIODE		1	
	D603	DA2J101	DIODE		1	
	D721	DZ2J056M	ZENER DIODE		1	
	D722	DZ2J056M	ZENER DIODE		1	
	D732	DZ2J056M	ZENER DIODE		1	
	D733	DZ2J056M	ZENER DIODE		1	
	D734	DA2J101	DIODE		1	
	D921	DA2J101	DIODE		1	
	D951	DA2J101	DIODE		1	
	C1	CK73GXR1H104K	C CAPACITOR	0.1uF 50V K	1	
	C2	CK73GXR1H104K	C CAPACITOR	0.1uF 50V K	1	
	C4	CK73GXR1H104K	C CAPACITOR	0.1uF 50V K	1	
	C7	CD040CP1C222M	E CAPACITOR	2200uF 16V M	1	
	C31	CK73GXR1H104K	C CAPACITOR	0.1uF 50V K	1	
	C32	CK73HBB1E103K	C CAPACITOR	0.01uF 25V K	1	
	C33	CK73EXR1E106K	C CAPACITOR	10uF 25V K	1	
	C34	CK73EXR1E106K	C CAPACITOR	10uF 25V K	1	
	C35	CK73GXR1H104K	C CAPACITOR	0.1uF 50V K	1	
	C36	CK73HBB1E103K	C CAPACITOR	0.01uF 25V K	1	
	C37	CK73HBB1C104K	C CAPACITOR	0.1uF 16V K	1	
	C38	CK73HBB1C104K	C CAPACITOR	0.1uF 16V K	1	
	C40	CC73HCH1H560J	C CAPACITOR	56pF 50V J	1	
	C41	CK730BY1A476K	C CAPACITOR	47uF 10V K	1	
	C43	CK73HBB1C104K	C CAPACITOR	0.1uF 16V K	1	
	C44	CK73HBB1E103K	C CAPACITOR	0.01uF 25V K	1	
	C48	CC73HCH1H220J	C CAPACITOR	22pF 50V J	1	
	C51	CK73GXR1H104K	C CAPACITOR	0.1uF 50V K	1	
	C52	CK73HBB1E103K	C CAPACITOR	0.01uF 25V K	1	
	C53	CK73EXR1E106K	C CAPACITOR	10uF 25V K	1	
	C54	CK73EXR1E106K	C CAPACITOR	10uF 25V K	1	
	C55	CK73GXR1H104K	C CAPACITOR	0.1uF 50V K	1	
	C56	CK73HBB1E103K	C CAPACITOR	0.01uF 25V K	1	
	C57	CK73HBB1C104K	C CAPACITOR	0.1uF 16V K	1	
	C58	CK73HBB1C104K	C CAPACITOR	0.1uF 16V K	1	
	C60	CC73HCH1H560J	C CAPACITOR	56pF 50V J	1	
	C61	CK730BY1A476K	C CAPACITOR	47uF 10V K	1	
	C63	CK73HBB1C104K	C CAPACITOR	0.1uF 16V K	1	
	C64	CK73HBB1E103K	C CAPACITOR	0.01uF 25V K	1	
	C65	CC73HCH1H050C	C CAPACITOR	5pF 50V C	1	
	C66	CC73HCH1H050C	C CAPACITOR	5pF 50V C	1	
	C67	CC73HCH1H050C	C CAPACITOR	5pF 50V C	1	
	C69	CK73HBB1H102K	C CAPACITOR	1000pF 50V K	1	
	C70	CK73HBB1E103K	C CAPACITOR	0.01uF 25V K	1	
	C91	CK73GXR1H104K	C CAPACITOR	0.1uF 50V K	1	
	C92	CK73HBB1E103K	C CAPACITOR	0.01uF 25V K	1	
	C93	CK73EXR1E106K	C CAPACITOR	10uF 25V K	1	
	C94	CK73EXR1E106K	C CAPACITOR	10uF 25V K	1	
	C95	CK73GXR1H104K	C CAPACITOR	0.1uF 50V K	1	
	C96	CK73HBB1E103K	C CAPACITOR	0.01uF 25V K	1	
	C97	CK73HBB1C104K	C CAPACITOR	0.1uF 16V K	1	
	C98	CK73HBB1C104K	C CAPACITOR	0.1uF 16V K	1	
	C100	CC73HCH1H560J	C CAPACITOR	56pF 50V J	1	
	C101	CK730BY1A476K	C CAPACITOR	47uF 10V K	1	
	C103	CK73HBB1C104K	C CAPACITOR	0.1uF 16V K	1	
	C104	CK73HBB1E103K	C CAPACITOR	0.01uF 25V K	1	
	C105	CK73HBB1E103K	C CAPACITOR	0.01uF 25V K	1	
	C110	CK73HBB1C104K	C CAPACITOR	0.1uF 16V K	1	
	C111	CK73HBB1C104K	C CAPACITOR	0.1uF 16V K	1	
	C112	CK73HBB1C104K	C CAPACITOR	0.1uF 16V K	1	
	C113	CK73HBB1C104K	C CAPACITOR	0.1uF 16V K	1	
	C114	CK73HBB1H102K	C CAPACITOR	1000pF 50V K	1	
	C131	CK73GXR1H104K	C CAPACITOR	0.1uF 50V K	1	
	C132	CK73HBB1E103K	C CAPACITOR	0.01uF 25V K	1	
	C133	CK73EXR1E106K	C CAPACITOR	10uF 25V K	1	
	C134	CK73EXR1E106K	C CAPACITOR	10uF 25V K	1	
	C135	CK73GXR1H104K	C CAPACITOR	0.1uF 50V K	1	
	C136	CK73HBB1E103K	C CAPACITOR	0.01uF 25V K	1	
	C137	CK73HBB1C104K	C CAPACITOR	0.1uF 16V K	1	
	C138	CK73HBB1C104K	C CAPACITOR	0.1uF 16V K	1	
	C140	CC73HCH1H560J	C CAPACITOR	56pF 50V J	1	
	C141	CK730BY1A476K	C CAPACITOR	47uF 10V K	1	
	C143	CK73HBB1C104K	C CAPACITOR	0.1uF 16V K	1	
	C144	CK73HBB1E103K	C CAPACITOR	0.01uF 25V K	1	
	C145	CK73HBB1E103K	C CAPACITOR	0.01uF 25V K	1	
	C150	CK73HBB1C104K	C CAPACITOR	0.1uF 16V K	1	
	C151	CK73HBB1C104K	C CAPACITOR	0.1uF 16V K	1	
	C152	CK73HBB1C104K	C CAPACITOR	0.1uF 16V K	1	
	C153	CK73HBB1C104K	C CAPACITOR	0.1uF 16V K	1	
	C154	CK73HBB1H102K	C CAPACITOR	1000pF 50V K	1	
	C201	CK73FXR1C106K	C CAPACITOR	10uF 16V K	1	
	C202	CK73GXR0J106M	C CAPACITOR	10uF 6.3V M	1	
	C203	CK73FXR1C106K	C CAPACITOR	10uF 16V K	1	
	C210	CK73GXR1C105K	C CAPACITOR	1uF 16V K	1	
	C211	CK73GXR1C105K	C CAPACITOR	1uF 16V K	1	
	C215	CK73EXR1E106K	C CAPACITOR	10uF 25V K	1	
	C216	CK73FXR1C106K	C CAPACITOR	10uF 16V K	1	
	C251	CK730BY1A476K	C CAPACITOR	47uF 10V K	1	
	C252	CK730BY1A476K	C CAPACITOR	47uF 10V K	1	
	C253	CK730BY1A476K	C CAPACITOR	47uF 10V K	1	
	C254	CK73HBB1E103K	C CAPACITOR	0.01uF 25V K	1	
	C255	CK730BY1A476K	C CAPACITOR	47uF 10V K	1	

MODEL	MARK
DDX8905S	

Safe	Symbol No.	Parts No.	Parts Name	Description	QTY	Local
	C256	CK730BY1A476K	C CAPACITOR	47uF 10V K	1	
	C257	CK730BY1A476K	C CAPACITOR	47uF 10V K	1	
	C258	CK73HBB1E103K	C CAPACITOR	0.01uF 25V K	1	
	C301	CC73HCH1H331J	C CAPACITOR	330pF 50V J	1	
	C302	CC73HCH1H331J	C CAPACITOR	330pF 50V J	1	
	C303	CE32BQ0J221M	E CAPACITOR	220uF 6.3V M	1	
	C304	CE32BQ0J221M	E CAPACITOR	220uF 6.3V M	1	
	C305	CK73GXR0J106M	C CAPACITOR	10uF 6.3V M	1	
	C306	CK73HBB1H222K	C CAPACITOR	2200pF 50V K	1	
	C307	CK73HXR0J105K	C CAPACITOR	1uF 6.3V K	1	
	C308	CK73HXR0J105K	C CAPACITOR	1uF 6.3V K	1	
	C309	CC73HCH1H330J	C CAPACITOR	33pF 50V J	1	
	C310	CC73HCH1H040C	C CAPACITOR	4pF 50V C	1	
	C311	CC73HCH1H080D	C CAPACITOR	8pF 50V D	1	
	C312	CC73HCH1H080D	C CAPACITOR	8pF 50V D	1	
	C313	CK73HBB1C104K	C CAPACITOR	0.1uF 16V K	1	
	C314	CK73HBB1C104K	C CAPACITOR	0.1uF 16V K	1	
	C315	CK73HXR0J105K	C CAPACITOR	1uF 6.3V K	1	
	C316	CK73HBB1C104K	C CAPACITOR	0.1uF 16V K	1	
	C317	CK73HBB1C104K	C CAPACITOR	0.1uF 16V K	1	
	C318	CK73HBB1C104K	C CAPACITOR	0.1uF 16V K	1	
	C319	CK73HBB1C104K	C CAPACITOR	0.1uF 16V K	1	
	C320	CK73HBB1E103K	C CAPACITOR	0.01uF 25V K	1	
	C321	CK73HBB1E103K	C CAPACITOR	0.01uF 25V K	1	
	C322	CK73HBB1C104K	C CAPACITOR	0.1uF 16V K	1	
	C324	CK73HBB1E103K	C CAPACITOR	0.01uF 25V K	1	
	C327	CK73HBB1E103K	C CAPACITOR	0.01uF 25V K	1	
	C328	CK73HBB1E103K	C CAPACITOR	0.01uF 25V K	1	
	C329	CK73HBB1E103K	C CAPACITOR	0.01uF 25V K	1	
	C330	CK73HBB1E103K	C CAPACITOR	0.01uF 25V K	1	
	C331	CK73HBB1E103K	C CAPACITOR	0.01uF 25V K	1	
	C332	CK73HBB1E103K	C CAPACITOR	0.01uF 25V K	1	
	C339	CK73HBB1E103K	C CAPACITOR	0.01uF 25V K	1	
	C340	CK730BY1A476K	C CAPACITOR	47uF 10V K	1	
	C341	CK730BY1A476K	C CAPACITOR	47uF 10V K	1	
	C342	CK730BY1A476K	C CAPACITOR	47uF 10V K	1	
	C343	CK73HBB1C104K	C CAPACITOR	0.1uF 16V K	1	
	C344	CK730BY1A476K	C CAPACITOR	47uF 10V K	1	
	C345	CK730BY1A476K	C CAPACITOR	47uF 10V K	1	
	C346	CK730BY1A476K	C CAPACITOR	47uF 10V K	1	
	C501	CK73HBB1H222K	C CAPACITOR	2200pF 50V K	1	
	C502	CK73HBB1H222K	C CAPACITOR	2200pF 50V K	1	
	C503	CK73HBB1H222K	C CAPACITOR	2200pF 50V K	1	
	C504	CK73HBB1H222K	C CAPACITOR	2200pF 50V K	1	
	C505	CK73GXR1C105K	C CAPACITOR	1uF 16V K	1	
	C506	CK73HXR0J105K	C CAPACITOR	1uF 6.3V K	1	
	C507	CK73GXR1C105K	C CAPACITOR	1uF 16V K	1	
	C512	CK73HBB1H222K	C CAPACITOR	2200pF 50V K	1	
	C513	CK73HBB1H222K	C CAPACITOR	2200pF 50V K	1	
	C514	CK73HBB1H222K	C CAPACITOR	2200pF 50V K	1	
	C515	CK73HBB1H222K	C CAPACITOR	2200pF 50V K	1	
	C520	CK73HBB1C104K	C CAPACITOR	0.1uF 16V K	1	
	C521	CK73GXR0J106M	C CAPACITOR	10uF 6.3V M	1	
	C522	CK73FXR1C106K	C CAPACITOR	10uF 16V K	1	
	C523	CK73HBB1H222K	C CAPACITOR	2200pF 50V K	1	
	C524	CK73HBB1H222K	C CAPACITOR	2200pF 50V K	1	
	C525	CK73HBB1H222K	C CAPACITOR	2200pF 50V K	1	
	C526	CK73HBB1H222K	C CAPACITOR	2200pF 50V K	1	
	C527	CK73HBB1C104K	C CAPACITOR	0.1uF 16V K	1	
	C528	CK73FXR1C106K	C CAPACITOR	10uF 16V K	1	
	C529	CK73GXR1C105K	C CAPACITOR	1uF 16V K	1	
	C530	CK73HBB1C104K	C CAPACITOR	0.1uF 16V K	1	
	C531	CK73FXR1C106K	C CAPACITOR	10uF 16V K	1	
	C532	CK73HBB1C104K	C CAPACITOR	0.1uF 16V K	1	
	C533	CK73FXR1C106K	C CAPACITOR	10uF 16V K	1	
	C534	CK73GXR0J225K	C CAPACITOR	2.2uF 6.3V K	1	
	C535	CK73HBB1C104K	C CAPACITOR	0.1uF 16V K	1	
	C536	CK73FXR1C106K	C CAPACITOR	10uF 16V K	1	
	C537	CK73HBB1C104K	C CAPACITOR	0.1uF 16V K	1	
	C538	CK73FXR1C106K	C CAPACITOR	10uF 16V K	1	
	C539	CK73HBB1C104K	C CAPACITOR	0.1uF 16V K	1	
	C540	CK73FXR1C106K	C CAPACITOR	10uF 16V K	1	
	C541	CK73GXR0J225K	C CAPACITOR	2.2uF 6.3V K	1	
	C542	CK73HBB1C104K	C CAPACITOR	0.1uF 16V K	1	
	C543	CK73FXR1C106K	C CAPACITOR	10uF 16V K	1	
	C544	CK73HBB1C104K	C CAPACITOR	0.1uF 16V K	1	
	C545	CK73HBB1C104K	C CAPACITOR	0.1uF 16V K	1	
	C549	CC73HCH1H120J	C CAPACITOR	12pF 50V J	1	
	C550	CC73HCH1H120J	C CAPACITOR	12pF 50V J	1	
	C551	CK73GXR0J106M	C CAPACITOR	10uF 6.3V M	1	
	C552	CK73FXR1C106K	C CAPACITOR	10uF 16V K	1	
	C553	CK73HBB1C104K	C CAPACITOR	0.1uF 16V K	1	
	C554	CK73GXR0J106M	C CAPACITOR	10uF 6.3V M	1	
	C558	CK73HBB1H332K	C CAPACITOR	3300pF 50V K	1	
	C559	CK73HBB1H332K	C CAPACITOR	3300pF 50V K	1	
	C560	CK73HBB1H332K	C CAPACITOR	3300pF 50V K	1	
	C561	CK73HBB1H222K	C CAPACITOR	2200pF 50V K	1	
	C562	CK73HBB1H222K	C CAPACITOR	2200pF 50V K	1	
	C563	CK73HBB1H222K	C CAPACITOR	2200pF 50V K	1	
	C564	CK73HBB1H222K	C CAPACITOR	2200pF 50V K	1	
	C565	CK73HBB1H222K	C CAPACITOR	2200pF 50V K	1	
	C566	CK73HBB1H222K	C CAPACITOR	2200pF 50V K	1	
	C567	CK73HBB1H222K	C CAPACITOR	2200pF 50V K	1	

MODEL	MARK
DDX8905S	

Safe	Symbol No.	Parts No.	Parts Name	Description	QTY	Local
	C568	CK73HBB1H222K	C CAPACITOR	2200pF 50V K	1	
	C569	CK73GXR1E474K	C CAPACITOR	0.47uF 25V K	1	
	C571	CK73GXR0J106M	C CAPACITOR	10uF 6.3V M	1	
	C603	CK73HBB1H102K	C CAPACITOR	1000pF 50V K	1	
	C605	CK73GXR1C105K	C CAPACITOR	1uF 16V K	1	
	C606	CK73GXR1C105K	C CAPACITOR	1uF 16V K	1	
	C607	CC73HCH1H220J	C CAPACITOR	22pF 50V J	1	
	C609	CC73HCH1H220J	C CAPACITOR	22pF 50V J	1	
	C611	CK73HBB1C104K	C CAPACITOR	0.1uF 16V K	1	
	C613	CK730BY1A476K	C CAPACITOR	47uF 10V K	1	
	C615	CK73HBB1A683K	C CAPACITOR	0.068uF 10V K	1	
	C616	CK73HBB1A683K	C CAPACITOR	0.068uF 10V K	1	
	C617	CK730BY1A476K	C CAPACITOR	47uF 10V K	1	
	C620	CK73HBB1H102K	C CAPACITOR	1000pF 50V K	1	
	C621	CK73GXR1C105K	C CAPACITOR	1uF 16V K	1	
	C622	CK73GXR1C105K	C CAPACITOR	1uF 16V K	1	
	C721	CK73HBB1E103K	C CAPACITOR	0.01uF 25V K	1	
	C722	CK73HBB1E103K	C CAPACITOR	0.01uF 25V K	1	
	C734	CK73GXR1H104K	C CAPACITOR	0.1uF 50V K	1	
	C736	CK73HBB1E103K	C CAPACITOR	0.01uF 25V K	1	
	C737	CK73HBB1E103K	C CAPACITOR	0.01uF 25V K	1	
	C751	CA32AK0J221M	AS E CAPACITOR	220uF 6.3V M	1	
	C752	CK73HBB1C104K	C CAPACITOR	0.1uF 16V K	1	
	C753	CK73HBB1E103K	C CAPACITOR	0.01uF 25V K	1	
	C760	CK73HBB1E223K	C CAPACITOR	0.022uF 25V K	1	
	C761	CK73FXR0J226M	C CAPACITOR	22uF 6.3V M	1	
	C791	CK73HBB1H102K	C CAPACITOR	1000pF 50V K	1	
	C792	CK73HBB1H102K	C CAPACITOR	1000pF 50V K	1	
	C793	CK73HBB1E223K	C CAPACITOR	0.022uF 25V K	1	
	C794	CC73HCH1H221J	C CAPACITOR	220pF 50V J	1	
	C795	CC73HCH1H221J	C CAPACITOR	220pF 50V J	1	
	C832	CK73FXR0J226M	C CAPACITOR	22uF 6.3V M	1	
	C833	CK73GXR1E224K	C CAPACITOR	0.022uF 25V K	1	
	C879	CK73GXR1C105K	C CAPACITOR	1uF 16V K	1	
	C881	CK73HXR0J105K	C CAPACITOR	1uF 6.3V K	1	
	C882	CK73HXR0J105K	C CAPACITOR	1uF 6.3V K	1	
	C884	CK73HXR0J105K	C CAPACITOR	1uF 6.3V K	1	
	C885	CK73GXR1C105K	C CAPACITOR	1uF 16V K	1	
	C887	CK73HXR0J105K	C CAPACITOR	1uF 6.3V K	1	
	C888	CK73HXR0J105K	C CAPACITOR	1uF 6.3V K	1	
	C890	CK73HBB1C104K	C CAPACITOR	0.1uF 16V K	1	
	C891	CK73HXR0J105K	C CAPACITOR	1uF 6.3V K	1	
	C892	CE32BJ1C470M	E CAPACITOR	47uF 16V M	1	
	C893	CK73HBB1C104K	C CAPACITOR	0.1uF 16V K	1	
	C895	CK73HXR0J105K	C CAPACITOR	1uF 6.3V K	1	
	C896	CK73HXR0J105K	C CAPACITOR	1uF 6.3V K	1	
	C897	CK73HXR0J105K	C CAPACITOR	1uF 6.3V K	1	
	C898	CK73FXR1C106K	C CAPACITOR	10uF 16V K	1	
	C899	CK73GXR1C105K	C CAPACITOR	1uF 16V K	1	
	C921	CK73GXR1E474K	C CAPACITOR	0.47uF 25V K	1	
	C922	CK73HBB1E103K	C CAPACITOR	0.01uF 25V K	1	
	C923	CC73HCH1H470J	C CAPACITOR	47pF 50V J	1	
	C924	CC730BP1H2R7B	C CAPACITOR	2.7pF 50V B	1	
	C925	CK73HXR0J105K	C CAPACITOR	1uF 6.3V K	1	
	C926	CK73GXR1C105K	C CAPACITOR	1uF 16V K	1	
	C927	CK73HXR0J105K	C CAPACITOR	1uF 6.3V K	1	
	C928	CC73HCH1H100D	C CAPACITOR	10pF 50V D	1	
	C929	CK73HBB1H102K	C CAPACITOR	1000pF 50V K	1	
	C930	CK73GXR1E474K	C CAPACITOR	0.47uF 25V K	1	
	C931	CK73GXR0J225K	C CAPACITOR	2.2uF 6.3V K	1	
	C932	CK73HXR0J105K	C CAPACITOR	1uF 6.3V K	1	
	C933	CK73HXR0J105K	C CAPACITOR	1uF 6.3V K	1	
	C934	CK73HXR0J105K	C CAPACITOR	1uF 6.3V K	1	
	C935	CK73HBB1H102K	C CAPACITOR	1000pF 50V K	1	
	C936	CC73HCH1H070D	C CAPACITOR	7pF 50V D	1	
	C937	CC73HCH1H070D	C CAPACITOR	7pF 50V D	1	
	C938	CK73HXR0J105K	C CAPACITOR	1uF 6.3V K	1	
	C939	CC73HCH1H020C	C CAPACITOR	2pF 50V C	1	
	C940	CK73HXR0J105K	C CAPACITOR	1uF 6.3V K	1	
	C951	CK73GXR1C105K	C CAPACITOR	1uF 16V K	1	
	C952	CK73GXR0J475K	C CAPACITOR	4.7uF 6.3V K	1	
	C978	CK73HBB1C104K	C CAPACITOR	0.1uF 16V K	1	
	R1	RK73GB2A103J	MG RESISTOR	10kΩ 1/10W J	1	
	R2	RK73GB2A202J	MG RESISTOR	2kΩ 1/10W J	1	
	R3	RK73HB1J334J	MG RESISTOR	330kΩ 1/16W J	1	
	R4	RK73HH1J753D	MG RESISTOR	75kΩ 1/16W D	1	
	R5	RK73HH1J753D	MG RESISTOR	75kΩ 1/16W D	1	
	R6	RK73HH1J333D	MG RESISTOR	33kΩ 1/16W D	1	
	R7	RK73HB1J224J	MG RESISTOR	220kΩ 1/16W J	1	
	R8	RK73HB1J224J	MG RESISTOR	220kΩ 1/16W J	1	
	R9	RK73HB1J000J	MG RESISTOR	0Ω 1/16W J	1	
	R10	RK73HH1J104D	MG RESISTOR	100kΩ 1/16W D	1	
	R11	RK73HH1J134D	MG RESISTOR	130kΩ 1/16W D	1	
	R12	RK73HB1J224J	MG RESISTOR	220kΩ 1/16W J	1	
	R13	RK73HB1J224J	MG RESISTOR	220kΩ 1/16W J	1	
	R14	RK73HH1J304D	MG RESISTOR	300kΩ 1/16W D	1	
	R15	RK73HH1J304D	MG RESISTOR	300kΩ 1/16W D	1	
	R16	RK73HH1J822D	MG RESISTOR	8.2kΩ 1/16W D	1	
	R17	RK73HH1J104D	MG RESISTOR	100kΩ 1/16W D	1	
	R18	RK73HH1J683D	MG RESISTOR	68kΩ 1/16W D	1	
	R19	RK73HB1J224J	MG RESISTOR	220kΩ 1/16W J	1	
	R20	RK73HB1J224J	MG RESISTOR	220kΩ 1/16W J	1	

MODEL	MARK
DDX8905S	

Safe	Symbol No.	Parts No.	Parts Name	Description	QTY	Local
R31		RK73GB2A200J	MG RESISTOR	20Ω 1/10W J	1	
R33		RK73HB1J333J	MG RESISTOR	33kΩ 1/16W J	1	
R34		RK73HB1J000J	MG RESISTOR	0Ω 1/16W J	1	
R35		RK73HB1J000J	MG RESISTOR	0Ω 1/16W J	1	
R36		RK73HH1J393D	MG RESISTOR	39kΩ 1/16W D	1	
R37		RK73HH1J222D	MG RESISTOR	2.2kΩ 1/16W D	1	
R38		RK73HH1J752D	MG RESISTOR	7.5kΩ 1/16W D	1	
R39		RK73HH1J101D	MG RESISTOR	100Ω 1/16W D	1	
R40		RK73HB1J101J	MG RESISTOR	100Ω 1/16W J	1	
R51		RK73GB2A200J	MG RESISTOR	20Ω 1/10W J	1	
R53		RK73HB1J333J	MG RESISTOR	33kΩ 1/16W J	1	
R54		RK73HB1J000J	MG RESISTOR	0Ω 1/16W J	1	
R55		RK73HB1J000J	MG RESISTOR	0Ω 1/16W J	1	
R56		RK73HH1J393D	MG RESISTOR	39kΩ 1/16W D	1	
R57		RK73HH1J222D	MG RESISTOR	2.2kΩ 1/16W D	1	
R58		RK73HH1J752D	MG RESISTOR	7.5kΩ 1/16W D	1	
R59		RK73HH1J101D	MG RESISTOR	100Ω 1/16W D	1	
R60		RK73HB1J473J	MG RESISTOR	47kΩ 1/16W J	1	
R62		RK73HH1J100D	MG RESISTOR	10Ω 1/16W D	1	
R64		RK73HB1J272J	MG RESISTOR	2.7kΩ 1/16W J	1	
R65		RK73HB1J101J	MG RESISTOR	100Ω 1/16W J	1	
R66		RK73HB1J102J	MG RESISTOR	1kΩ 1/16W J	1	
R91		RK73GB2A200J	MG RESISTOR	20Ω 1/10W J	1	
R92		RK73HB1J473J	MG RESISTOR	47kΩ 1/16W J	1	
R94		RK73HB1J333J	MG RESISTOR	33kΩ 1/16W J	1	
R95		RK73HB1J000J	MG RESISTOR	0Ω 1/16W J	1	
R96		RK73HH1J100D	MG RESISTOR	10Ω 1/16W D	1	
R97		RK73HH1J393D	MG RESISTOR	39kΩ 1/16W D	1	
R98		RK73HH1J222D	MG RESISTOR	2.2kΩ 1/16W D	1	
R99		RK73HH1J752D	MG RESISTOR	7.5kΩ 1/16W D	1	
R100		RK73HB1J000J	MG RESISTOR	0Ω 1/16W J	1	
R101		RK73EB2E151J	MG RESISTOR	150Ω 1/4W J	1	
R104		RK73HB1J101J	MG RESISTOR	100Ω 1/16W J	1	
R105		RK73HB1J272J	MG RESISTOR	2.7kΩ 1/16W J	1	
R106		RK73HB1J102J	MG RESISTOR	1kΩ 1/16W J	1	
R107		RK73HB1J000J	MG RESISTOR	0Ω 1/16W J	1	
R110		RZ73F0CH30LJ	RESISTOR	0.03Ω 1/3W J	1	
R111		RZ73F0CH30LJ	RESISTOR	0.03Ω 1/3W J	1	
R112		RK73HH1J102D	MG RESISTOR	1kΩ 1/16W D	1	
R113		RK73HH1J104D	MG RESISTOR	100kΩ 1/16W D	1	
R114		RK73HH1J102D	MG RESISTOR	1kΩ 1/16W D	1	
R115		RK73HH1J104D	MG RESISTOR	100kΩ 1/16W D	1	
R116		RK73HH1J104D	MG RESISTOR	100kΩ 1/16W D	1	
R117		RK73HH1J393D	MG RESISTOR	39kΩ 1/16W D	1	
R118		RK73HH1J104D	MG RESISTOR	100kΩ 1/16W D	1	
R119		RK73HH1J102D	MG RESISTOR	1kΩ 1/16W D	1	
R120		RK73HH1J104D	MG RESISTOR	100kΩ 1/16W D	1	
R121		RK73HB1J224J	MG RESISTOR	220kΩ 1/16W J	1	
R122		RK73HB1J224J	MG RESISTOR	220kΩ 1/16W J	1	
R123		RK73HH1J302D	MG RESISTOR	3kΩ 1/16W D	1	
R124		RK73HB1J000J	MG RESISTOR	0Ω 1/16W J	1	
R125		RK73HB1J223J	MG RESISTOR	22kΩ 1/16W J	1	
R127		RK73HB1J000J	MG RESISTOR	0Ω 1/16W J	1	
R129		RK73HB1J000J	MG RESISTOR	0Ω 1/16W J	1	
R131		RK73GB2A200J	MG RESISTOR	20Ω 1/10W J	1	
R132		RK73HB1J473J	MG RESISTOR	47kΩ 1/16W J	1	
R134		RK73HB1J333J	MG RESISTOR	33kΩ 1/16W J	1	
R135		RK73HB1J000J	MG RESISTOR	0Ω 1/16W J	1	
R136		RK73HH1J100D	MG RESISTOR	10Ω 1/16W D	1	
R137		RK73HH1J393D	MG RESISTOR	39kΩ 1/16W D	1	
R138		RK73HH1J222D	MG RESISTOR	2.2kΩ 1/16W D	1	
R139		RK73HH1J752D	MG RESISTOR	7.5kΩ 1/16W D	1	
R140		RK73HB1J000J	MG RESISTOR	0Ω 1/16W J	1	
R141		RK73EB2E151J	MG RESISTOR	150Ω 1/4W J	1	
R144		RK73HB1J101J	MG RESISTOR	100Ω 1/16W J	1	
R145		RK73HB1J272J	MG RESISTOR	2.7kΩ 1/16W J	1	
R146		RK73HB1J102J	MG RESISTOR	1kΩ 1/16W J	1	
R147		RK73HB1J000J	MG RESISTOR	0Ω 1/16W J	1	
R150		RZ73F0CH30LJ	RESISTOR	0.03Ω 1/3W J	1	
R151		RZ73F0CH30LJ	RESISTOR	0.03Ω 1/3W J	1	
R152		RK73HH1J102D	MG RESISTOR	1kΩ 1/16W D	1	
R153		RK73HH1J104D	MG RESISTOR	100kΩ 1/16W D	1	
R154		RK73HH1J102D	MG RESISTOR	1kΩ 1/16W D	1	
R155		RK73HH1J104D	MG RESISTOR	100kΩ 1/16W D	1	
R156		RK73HH1J104D	MG RESISTOR	100kΩ 1/16W D	1	
R157		RK73HH1J393D	MG RESISTOR	39kΩ 1/16W D	1	
R158		RK73HH1J104D	MG RESISTOR	100kΩ 1/16W D	1	
R159		RK73HH1J102D	MG RESISTOR	1kΩ 1/16W D	1	
R160		RK73HH1J104D	MG RESISTOR	100kΩ 1/16W D	1	
R161		RK73HB1J224J	MG RESISTOR	220kΩ 1/16W J	1	
R162		RK73HB1J224J	MG RESISTOR	220kΩ 1/16W J	1	
R163		RK73HH1J302D	MG RESISTOR	3kΩ 1/16W D	1	
R164		RK73HB1J000J	MG RESISTOR	0Ω 1/16W J	1	
R165		RK73HB1J223J	MG RESISTOR	22kΩ 1/16W J	1	
R167		RK73HB1J000J	MG RESISTOR	0Ω 1/16W J	1	
R169		RK73HB1J000J	MG RESISTOR	0Ω 1/16W J	1	
R188		RK73GB2A000J	MG RESISTOR	0Ω 1/10W J	1	
R189		RK73GB2A000J	MG RESISTOR	0Ω 1/10W J	1	
R203		RK73HB1J104J	MG RESISTOR	100kΩ 1/16W J	1	
R206		RK73GB2A000J	MG RESISTOR	0Ω 1/10W J	1	
R207		RK73GB2A000J	MG RESISTOR	0Ω 1/10W J	1	
R208		RK73GB2A000J	MG RESISTOR	0Ω 1/10W J	1	

MODEL	MARK
DDX8905S	

Safe	Symbol No.	Parts No.	Parts Name	Description	QTY	Local
R209		RK73GB2A000J	MG RESISTOR	0Ω 1/10W J	1	
R210		RK73GB2A000J	MG RESISTOR	0Ω 1/10W J	1	
R211		RK73GB2A000J	MG RESISTOR	0Ω 1/10W J	1	
R216		RK73HB1J000J	MG RESISTOR	0Ω 1/16W J	1	
R224		RK73HH1J104D	MG RESISTOR	100kΩ 1/16W D	1	
R225		RK73HH1J822D	MG RESISTOR	8.2kΩ 1/16W D	1	
R226		RK73HH1J821D	MG RESISTOR	820Ω 1/16W D	1	
R227		RK73HB1J000J	MG RESISTOR	0Ω 1/16W J	1	
R228		RK73GB2A000J	MG RESISTOR	0Ω 1/10W J	1	
R229		RK73GB2A000J	MG RESISTOR	0Ω 1/10W J	1	
R230		RK73GB2A000J	MG RESISTOR	0Ω 1/10W J	1	
R301		RK73HB1J223J	MG RESISTOR	22kΩ 1/16W J	1	
R308		RK73HB1J101J	MG RESISTOR	100Ω 1/16W J	1	
R309		RK73HB1J101J	MG RESISTOR	100Ω 1/16W J	1	
R310		RK73HB1J102J	MG RESISTOR	1kΩ 1/16W J	1	
R311		RK73HB1J101J	MG RESISTOR	100Ω 1/16W J	1	
R312		RK73HB1J473J	MG RESISTOR	47kΩ 1/16W J	1	
R313		RK73HB1J101J	MG RESISTOR	100Ω 1/16W J	1	
R314		RK73HB1J101J	MG RESISTOR	100Ω 1/16W J	1	
R315		RK73HB1J102J	MG RESISTOR	1kΩ 1/16W J	1	
R316		RK73HB1J154J	MG RESISTOR	150kΩ 1/16W J	1	
R317		RK73HB1J154J	MG RESISTOR	150kΩ 1/16W J	1	
R318		RK73HB1J101J	MG RESISTOR	100Ω 1/16W J	1	
R320		RK73HB1J103J	MG RESISTOR	10kΩ 1/16W J	1	
R321		RK73HB1J103J	MG RESISTOR	10kΩ 1/16W J	1	
R322		RK73HB1J473J	MG RESISTOR	47kΩ 1/16W J	1	
R323		RK73HB1J103J	MG RESISTOR	10kΩ 1/16W J	1	
R324		RK73HB1J101J	MG RESISTOR	100Ω 1/16W J	1	
R325		RK73HB1J473J	MG RESISTOR	47kΩ 1/16W J	1	
R326		RK73HB1J473J	MG RESISTOR	47kΩ 1/16W J	1	
R327		RK73HB1J223J	MG RESISTOR	22kΩ 1/16W J	1	
R329		RK73HB1J223J	MG RESISTOR	22kΩ 1/16W J	1	
R330		RK73HB1J222J	MG RESISTOR	2.2kΩ 1/16W J	1	
R331		RK73HB1J101J	MG RESISTOR	100Ω 1/16W J	1	
R332		RK73HB1J101J	MG RESISTOR	100Ω 1/16W J	1	
R333		RK73HB1J272J	MG RESISTOR	2.7kΩ 1/16W J	1	
R334		RK73HB1J101J	MG RESISTOR	100Ω 1/16W J	1	
R335		RK73HB1J101J	MG RESISTOR	100Ω 1/16W J	1	
R337		RK73HB1J101J	MG RESISTOR	100Ω 1/16W J	1	
R338		RK73HB1J000J	MG RESISTOR	0Ω 1/16W J	1	
R339		RK73HB1J101J	MG RESISTOR	100Ω 1/16W J	1	
R340		RK73HB1J472J	MG RESISTOR	4.7kΩ 1/16W J	1	
R341		RK73HB1J472J	MG RESISTOR	4.7kΩ 1/16W J	1	
R342		RK73HB1J101J	MG RESISTOR	100Ω 1/16W J	1	
R343		RK73HB1J101J	MG RESISTOR	100Ω 1/16W J	1	
R344		RK73HB1J101J	MG RESISTOR	100Ω 1/16W J	1	
R347		RK73HB1J101J	MG RESISTOR	100Ω 1/16W J	1	
R348		RK73HB1J104J	MG RESISTOR	100kΩ 1/16W J	1	
R349		RK73HB1J101J	MG RESISTOR	100Ω 1/16W J	1	
R350		RK73HB1J473J	MG RESISTOR	47kΩ 1/16W J	1	
R351		RK73HB1J101J	MG RESISTOR	100Ω 1/16W J	1	
R352		RK73HB1J473J	MG RESISTOR	47kΩ 1/16W J	1	
R355		RK73HB1J101J	MG RESISTOR	100Ω 1/16W J	1	
R356		RK73HB1J104J	MG RESISTOR	100kΩ 1/16W J	1	
R357		RK73HB1J101J	MG RESISTOR	100Ω 1/16W J	1	
R358		RK73HB1J101J	MG RESISTOR	100Ω 1/16W J	1	
R359		RK73HB1J101J	MG RESISTOR	100Ω 1/16W J	1	
R360		RK73HB1J101J	MG RESISTOR	100Ω 1/16W J	1	
R361		RK73HB1J101J	MG RESISTOR	100Ω 1/16W J	1	
R362		RK73HB1J104J	MG RESISTOR	100kΩ 1/16W J	1	
R363		RK73HB1J101J	MG RESISTOR	100Ω 1/16W J	1	
R365		RK73HB1J101J	MG RESISTOR	100Ω 1/16W J	1	
R366		RK73HB1J222J	MG RESISTOR	2.2kΩ 1/16W J	1	
R367		RK73HB1J222J	MG RESISTOR	2.2kΩ 1/16W J	1	
R368		RK73HB1J101J	MG RESISTOR	100Ω 1/16W J	1	
R369		RK73HB1J473J	MG RESISTOR	47kΩ 1/16W J	1	
R370		RK73HB1J101J	MG RESISTOR	100Ω 1/16W J	1	
R371		RK73HB1J101J	MG RESISTOR	100Ω 1/16W J	1	
R372		RK73HB1J101J	MG RESISTOR	100Ω 1/16W J	1	
R373		RK73HB1J101J	MG RESISTOR	100Ω 1/16W J	1	
R374		RK73HB1J101J	MG RESISTOR	100Ω 1/16W J	1	
R375		RK73HB1J101J	MG RESISTOR	100Ω 1/16W J	1	
R376		RK73HB1J101J	MG RESISTOR	100Ω 1/16W J	1	
R378		RK73HB1J104J	MG RESISTOR	100kΩ 1/16W J	1	
R379		RK73HB1J102J	MG RESISTOR	1kΩ 1/16W J	1	
R380		RK73HB1J101J	MG RESISTOR	100Ω 1/16W J	1	
R381		RK73HB1J102J	MG RESISTOR	1kΩ 1/16W J	1	
R382		RK73HB1J223J	MG RESISTOR	22kΩ 1/16W J	1	
R383		RK73HB1J101J	MG RESISTOR	100Ω 1/16W J	1	
R384		RK73HB1J102J	MG RESISTOR	1kΩ 1/16W J	1	
R385		RK73HB1J223J	MG RESISTOR	22kΩ 1/16W J	1	
R386		RK73HB1J102J	MG RESISTOR	1kΩ 1/16W J	1	
R387		RK73HB1J223J	MG RESISTOR	22kΩ 1/16W J	1	
R388		RK73HB1J101J	MG RESISTOR	100Ω 1/16W J	1	
R389		RK73HB1J101J	MG RESISTOR	100Ω 1/16W J	1	
R390		RK73HB1J223J	MG RESISTOR	22kΩ 1/16W J	1	
R391		RK73HB1J104J	MG RESISTOR	100kΩ 1/16W J	1	
R392		RK73HB1J101J	MG RESISTOR	100Ω 1/16W J	1	
R393		RK73HB1J101J	MG RESISTOR	100Ω 1/16W J	1	
R394		RK73HB1J473J	MG RESISTOR	47kΩ 1/16W J	1	
R396		RK73HB1J104J	MG RESISTOR	100kΩ 1/16W J	1	
R397		RK73HB1J473J	MG RESISTOR	47kΩ 1/16W J	1	
R398		RK73HB1J101J	MG RESISTOR	100Ω 1/16W J	1	

MODEL	MARK
DDX8905S	

Safe	Symbol No.	Parts No.	Parts Name	Description	QTY	Local
	R399	RK73HB1J222J	MG RESISTOR	2.2kΩ 1/16W J	1	
	R400	RK73HB1J222J	MG RESISTOR	2.2kΩ 1/16W J	1	
	R401	RK73HB1J473J	MG RESISTOR	47kΩ 1/16W J	1	
	R404	RK73HB1J101J	MG RESISTOR	100Ω 1/16W J	1	
	R405	RK73HB1J101J	MG RESISTOR	100Ω 1/16W J	1	
	R406	RK73HH1J104D	MG RESISTOR	100kΩ 1/16W D	1	
	R407	RK73HH1J564D	MG RESISTOR	560kΩ 1/16W D	1	
	R408	RK73HH1J104D	MG RESISTOR	100kΩ 1/16W D	1	
	R409	RK73HH1J244D	MG RESISTOR	240kΩ 1/16W D	1	
	R410	RK73HB1J101J	MG RESISTOR	100Ω 1/16W J	1	
	R411	RK73HB1J101J	MG RESISTOR	100Ω 1/16W J	1	
	R412	RK73HB1J101J	MG RESISTOR	100Ω 1/16W J	1	
	R413	RK73HB1J101J	MG RESISTOR	100Ω 1/16W J	1	
	R414	RK73HH1J104D	MG RESISTOR	100kΩ 1/16W D	1	
	R420	RK73HB1J223J	MG RESISTOR	22kΩ 1/16W J	1	
	R421	RK73HB1J331J	MG RESISTOR	330Ω 1/16W J	1	
	R422	RK73HB1J821J	MG RESISTOR	820Ω 1/16W J	1	
	R423	RK73HB1J271J	MG RESISTOR	270Ω 1/16W J	1	
	R424	RK73GB2A224J	MG RESISTOR	220kΩ 1/10W J	1	
	R425	RK73HB1J471J	MG RESISTOR	470Ω 1/16W J	1	
	R426	RK73HB1J823J	MG RESISTOR	82kΩ 1/16W J	1	
	R427	RK73HB1J103J	MG RESISTOR	10kΩ 1/16W J	1	
	R428	RK73HB1J124J	MG RESISTOR	120kΩ 1/16W J	1	
	R429	RK73HB1J472J	MG RESISTOR	4.7kΩ 1/16W J	1	
	R430	RK73HB1J103J	MG RESISTOR	10kΩ 1/16W J	1	
	R431	RK73HB1J473J	MG RESISTOR	47kΩ 1/16W J	1	
	R432	RK73HB1J473J	MG RESISTOR	47kΩ 1/16W J	1	
	R433	RK73HB1J473J	MG RESISTOR	47kΩ 1/16W J	1	
	R434	RK73HB1J473J	MG RESISTOR	47kΩ 1/16W J	1	
	R437	RK73HB1J000J	MG RESISTOR	0Ω 1/16W J	1	
	R443	RK73HB1J473J	MG RESISTOR	47kΩ 1/16W J	1	
	R444	RK73HB1J473J	MG RESISTOR	47kΩ 1/16W J	1	
	R503	RK73HB1J223J	MG RESISTOR	22kΩ 1/16W J	1	
	R504	RK73HB1J223J	MG RESISTOR	22kΩ 1/16W J	1	
	R506	RK73HB1J223J	MG RESISTOR	22kΩ 1/16W J	1	
	R507	RK73HB1J223J	MG RESISTOR	22kΩ 1/16W J	1	
	R510	RK73HB1J221J	MG RESISTOR	220Ω 1/16W J	1	
	R511	RK73HB1J221J	MG RESISTOR	220Ω 1/16W J	1	
	R512	RK73HB1J221J	MG RESISTOR	220Ω 1/16W J	1	
	R513	RK73HB1J221J	MG RESISTOR	220Ω 1/16W J	1	
	R514	RK73HB1J000J	MG RESISTOR	0Ω 1/16W J	1	
	R515	RK73HB1J000J	MG RESISTOR	0Ω 1/16W J	1	
	R518	RK73HB1J221J	MG RESISTOR	220Ω 1/16W J	1	
	R519	RK73HB1J221J	MG RESISTOR	220Ω 1/16W J	1	
	R520	RK73HB1J000J	MG RESISTOR	0Ω 1/16W J	1	
	R521	RK73HB1J221J	MG RESISTOR	220Ω 1/16W J	1	
	R522	RK73HB1J221J	MG RESISTOR	220Ω 1/16W J	1	
	R523	RK73HB1J000J	MG RESISTOR	0Ω 1/16W J	1	
	R524	RK73HB1J000J	MG RESISTOR	0Ω 1/16W J	1	
	R531	RK73HB1J223J	MG RESISTOR	22kΩ 1/16W J	1	
	R532	RK73HB1J223J	MG RESISTOR	22kΩ 1/16W J	1	
	R533	RK73HB1J000J	MG RESISTOR	0Ω 1/16W J	1	
	R534	RK73HB1J100J	MG RESISTOR	10Ω 1/16W J	1	
	R535	RK73HB1J100J	MG RESISTOR	10Ω 1/16W J	1	
	R536	RK73HB1J100J	MG RESISTOR	10Ω 1/16W J	1	
	R538	RK73GB2A2R2J	MG RESISTOR	2.2Ω 1/10W J	1	
	R539	RK73HB1J221J	MG RESISTOR	220Ω 1/16W J	1	
	R540	RK73HB1J221J	MG RESISTOR	220Ω 1/16W J	1	
	R541	RK73HB1J221J	MG RESISTOR	220Ω 1/16W J	1	
	R542	RK73HB1J221J	MG RESISTOR	220Ω 1/16W J	1	
	R543	RK73HB1J000J	MG RESISTOR	0Ω 1/16W J	1	
	R544	RK73HB1J000J	MG RESISTOR	0Ω 1/16W J	1	
	R545	RK73HB1J101J	MG RESISTOR	100Ω 1/16W J	1	
	R546	RK73HB1J101J	MG RESISTOR	100Ω 1/16W J	1	
	R547	RK73HB1J000J	MG RESISTOR	0Ω 1/16W J	1	
	R550	RK73HB1J000J	MG RESISTOR	0Ω 1/16W J	1	
	R551	RK73HB1J222J	MG RESISTOR	2.2kΩ 1/16W J	1	
	R552	RK73HB1J101J	MG RESISTOR	100Ω 1/16W J	1	
	R553	RK73HB1J101J	MG RESISTOR	100Ω 1/16W J	1	
	R554	RK73HB1J101J	MG RESISTOR	100Ω 1/16W J	1	
	R555	RK73HB1J101J	MG RESISTOR	100Ω 1/16W J	1	
	R556	RK73HB1J101J	MG RESISTOR	100Ω 1/16W J	1	
	R558	RK73HB1J000J	MG RESISTOR	0Ω 1/16W J	1	
	R559	RK73HB1J101J	MG RESISTOR	100Ω 1/16W J	1	
	R560	RK73HB1J101J	MG RESISTOR	100Ω 1/16W J	1	
	R561	RK73HB1J101J	MG RESISTOR	100Ω 1/16W J	1	
	R562	RK73HB1J000J	MG RESISTOR	0Ω 1/16W J	1	
	R563	RK73HB1J000J	MG RESISTOR	0Ω 1/16W J	1	
	R564	RK73HB1J000J	MG RESISTOR	0Ω 1/16W J	1	
	R565	RK73HB1J101J	MG RESISTOR	100Ω 1/16W J	1	
	R566	RK73HB1J100J	MG RESISTOR	10Ω 1/16W J	1	
	R567	RK73HB1J100J	MG RESISTOR	10Ω 1/16W J	1	
	R568	RK73HB1J181J	MG RESISTOR	180Ω 1/16W J	1	
	R569	RK73HB1J223J	MG RESISTOR	22kΩ 1/16W J	1	
	R570	RK73HB1J100J	MG RESISTOR	10Ω 1/16W J	1	
	R573	RK73HB1J101J	MG RESISTOR	100Ω 1/16W J	1	
	R574	RK73HB1J100J	MG RESISTOR	10Ω 1/16W J	1	
	R575	RK73HB1J100J	MG RESISTOR	10Ω 1/16W J	1	
	R576	RK73HB1J000J	MG RESISTOR	0Ω 1/16W J	1	
	R577	RK73HB1J100J	MG RESISTOR	10Ω 1/16W J	1	
	R578	RK73GB2A2R2J	MG RESISTOR	2.2Ω 1/10W J	1	
	R579	RK73GB2A2R2J	MG RESISTOR	2.2Ω 1/10W J	1	

MODEL	MARK
DDX8905S	

Safe	Symbol No.	Parts No.	Parts Name	Description	QTY	Local
	R582	RK73HB1J000J	MG RESISTOR	0Ω 1/16W J	1	
	R583	RK73HB1J000J	MG RESISTOR	0Ω 1/16W J	1	
	R584	RK73HB1J000J	MG RESISTOR	0Ω 1/16W J	1	
	R585	RK73GB2A000J	MG RESISTOR	0Ω 1/10W J	1	
	R586	RK73GB2A000J	MG RESISTOR	0Ω 1/10W J	1	
	R588	RK73HH1J221D	MG RESISTOR	220Ω 1/16W D	1	
	R589	RK73HH1J221D	MG RESISTOR	220Ω 1/16W D	1	
	R590	RK73HH1J221D	MG RESISTOR	220Ω 1/16W D	1	
	R591	RK73HH1J221D	MG RESISTOR	220Ω 1/16W D	1	
	R592	RK73HH1J221D	MG RESISTOR	220Ω 1/16W D	1	
	R593	RK73HH1J221D	MG RESISTOR	220Ω 1/16W D	1	
	R594	RK73HH1J221D	MG RESISTOR	220Ω 1/16W D	1	
	R595	RK73HH1J221D	MG RESISTOR	220Ω 1/16W D	1	
	R596	RK73HB1J223J	MG RESISTOR	22kΩ 1/16W J	1	
	R599	RK73GB2A000J	MG RESISTOR	0Ω 1/10W J	1	
	R600	RK73GB2A000J	MG RESISTOR	0Ω 1/10W J	1	
	R604	RK73HB1J000J	MG RESISTOR	0Ω 1/16W J	1	
	R609	RK73HB1J203J	MG RESISTOR	20kΩ 1/16W J	1	
	R610	RK73HB1J203J	MG RESISTOR	20kΩ 1/16W J	1	
	R611	RK73HB1J473J	MG RESISTOR	47kΩ 1/16W J	1	
	R612	RK73HB1J304J	MG RESISTOR	300kΩ 1/16W J	1	
	R614	RK73HB1J304J	MG RESISTOR	300kΩ 1/16W J	1	
	R615	RK73GB2A000J	MG RESISTOR	0Ω 1/10W J	1	
	R616	RK73HB1J223J	MG RESISTOR	22kΩ 1/16W J	1	
	R617	RK73HB1J223J	MG RESISTOR	22kΩ 1/16W J	1	
	R618	RK73HB1J333J	MG RESISTOR	33kΩ 1/16W J	1	
	R620	RK73HB1J123J	MG RESISTOR	12kΩ 1/16W J	1	
	R621	RK73GB2A101J	MG RESISTOR	100Ω 1/10W J	1	
	R622	RK73GB2A2R2J	MG RESISTOR	2.2Ω 1/10W J	1	
	R624	RK73HB1J752J	MG RESISTOR	7.5kΩ 1/16W J	1	
	R638	RK73HB1J000J	MG RESISTOR	0Ω 1/16W J	1	
	R721	RK73GB2A101J	MG RESISTOR	100Ω 1/10W J	1	
	R722	RK73GB2A220J	MG RESISTOR	22Ω 1/10W J	1	
	R724	RK73GB2A000J	MG RESISTOR	0Ω 1/10W J	1	
	R725	RK73HB1J101J	MG RESISTOR	100Ω 1/16W J	1	
	R726	RK73HB1J101J	MG RESISTOR	100Ω 1/16W J	1	
	R727	RK73GB2A473J	MG RESISTOR	47kΩ 1/10W J	1	
	R734	RK73GB2A101J	MG RESISTOR	100Ω 1/10W J	1	
	R735	RK73GB2A101J	MG RESISTOR	100Ω 1/10W J	1	
	R741	RK73HB1J272J	MG RESISTOR	2.7kΩ 1/16W J	1	
	R743	RK73GB2A473J	MG RESISTOR	47kΩ 1/10W J	1	
	R754	RK73HB1J000J	MG RESISTOR	0Ω 1/16W J	1	
	R755	RK73HB1J000J	MG RESISTOR	0Ω 1/16W J	1	
	R756	RK73HB1J000J	MG RESISTOR	0Ω 1/16W J	1	
	R757	RK73HB1J000J	MG RESISTOR	0Ω 1/16W J	1	
	R758	RK73HB1J000J	MG RESISTOR	0Ω 1/16W J	1	
	R759	RK73HB1J000J	MG RESISTOR	0Ω 1/16W J	1	
	R760	RK73GB2A000J	MG RESISTOR	0Ω 1/10W J	1	
	R791	RK73HB1J223J	MG RESISTOR	22kΩ 1/16W J	1	
	R792	RK73HB1J223J	MG RESISTOR	22kΩ 1/16W J	1	
	R793	RK73HB1J100J	MG RESISTOR	10Ω 1/16W J	1	
	R794	RK73HB1J100J	MG RESISTOR	10Ω 1/16W J	1	
	R795	RK73HB1J4R7J	MG RESISTOR	4.7Ω 1/16W J	1	
	R796	RK73GB2A000J	MG RESISTOR	0Ω 1/10W J	1	
	R803	RK73GH2A472D	MG RESISTOR	4.7kΩ 1/10W D	1	
	R804	RK73GH2A472D	MG RESISTOR	4.7kΩ 1/10W D	1	
	R807	RK73HB1J152J	MG RESISTOR	1.5kΩ 1/16W J	1	
	R808	RK73HB1J152J	MG RESISTOR	1.5kΩ 1/16W J	1	
	R809	RK73HB1J681J	MG RESISTOR	680Ω 1/16W J	1	
	R810	RK73HB1J681J	MG RESISTOR	680Ω 1/16W J	1	
	R821	RK73HB1J000J	MG RESISTOR	0Ω 1/16W J	1	
	R825	RK73GB2A000J	MG RESISTOR	0Ω 1/10W J	1	
	R826	RK73HB1J100J	MG RESISTOR	10Ω 1/16W J	1	
	R827	RK73HB1J100J	MG RESISTOR	10Ω 1/16W J	1	
	R839	RK73HB1J750J	MG RESISTOR	75Ω 1/16W J	1	
	R871	RK73GB2A000J	MG RESISTOR	0Ω 1/10W J	1	
	R873	RK73HB1J000J	MG RESISTOR	0Ω 1/16W J	1	
	R874	RK73HB1J000J	MG RESISTOR	0Ω 1/16W J	1	
	R876	RK73HB1J000J	MG RESISTOR	0Ω 1/16W J	1	
	R877	RK73HB1J100J	MG RESISTOR	10Ω 1/16W J	1	
	R878	RK73HH1J391D	MG RESISTOR	390Ω 1/16W D	1	
	R879	RK73HH1J201D	MG RESISTOR	200Ω 1/16W D	1	
	R884	RK73HB1J100J	MG RESISTOR	10Ω 1/16W J	1	
	R886	RK73HB1J220J	MG RESISTOR	22Ω 1/16W J	1	
	R887	RK73HB1J220J	MG RESISTOR	22Ω 1/16W J	1	
	R888	RK73HB1J000J	MG RESISTOR	0Ω 1/16W J	1	
	R889	RK73HH1J683D	MG RESISTOR	68kΩ 1/16W D	1	
	R890	RK73HH1J683D	MG RESISTOR	68kΩ 1/16W D	1	
	R891	RK73HB1J000J	MG RESISTOR	0Ω 1/16W J	1	
	R921	RK73HB1J220J	MG RESISTOR	22Ω 1/16W J	1	
	R922	RK73HB1J220J	MG RESISTOR	22Ω 1/16W J	1	
	R923	RK73HB1J000J	MG RESISTOR	0Ω 1/16W J	1	
	R925	RK73HB1J103J	MG RESISTOR	10kΩ 1/16W J	1	
	R926	RK73HB1J000J	MG RESISTOR	0Ω 1/16W J	1	
	R929	RK73HB1J103J	MG RESISTOR	10kΩ 1/16W J	1	
	R930	RK73HB1J103J	MG RESISTOR	10kΩ 1/16W J	1	
	R951	RK73HH1J753D	MG RESISTOR	75kΩ 1/16W D	1	
	R952	RK73HH1J273D	MG RESISTOR	27kΩ 1/16W D	1	
	R953	RK73HH1J303D	MG RESISTOR	30kΩ 1/16W D	1	
	R987	RK73HB1J000J	MG RESISTOR	0Ω 1/16W J	1	
	R988	RK73HB1J000J	MG RESISTOR	0Ω 1/16W J	1	
	R989	RK73HB1J000J	MG RESISTOR	0Ω 1/16W J	1	
	R990	RK73HB1J000J	MG RESISTOR	0Ω 1/16W J	1	

MODEL	MARK
DDX8905S	

Safe	Symbol No.	Parts No.	Parts Name	Description	QTY	Local
	R991	RK73HB1J000J	MG RESISTOR	0Ω 1/16W J	1	
	R992	RK73HB1J000J	MG RESISTOR	0Ω 1/16W J	1	
	R993	RK73HB1J000J	MG RESISTOR	0Ω 1/16W J	1	
	R994	RK73HB1J000J	MG RESISTOR	0Ω 1/16W J	1	
	R995	RK73HB1J000J	MG RESISTOR	0Ω 1/16W J	1	
	R996	RK73HB1J000J	MG RESISTOR	0Ω 1/16W J	1	
	RA791	RK74GB1J301J	NET RESISTOR	300Ω 1/16W J	1	
	RA821	RK74GB1J301J	NET RESISTOR	300Ω 1/16W J	1	
	RA822	RK74GB1J301J	NET RESISTOR	300Ω 1/16W J	1	
	L32	NQR0723-001X	CHOKO COIL	10uF	1	
	L52	NQR0723-001X	CHOKO COIL	10uF	1	
	L92	NQR0723-001X	CHOKO COIL	10uF	1	
	L132	NQR0723-001X	CHOKO COIL	10uF	1	
	L301	LB73G0BD-006	CHIP FERRITE		1	
	L751	LR79Z0AG100M	CHIP INDUCTOR	10uH	1	
	L871	LR73Z0AC100K	CHIP INDUCTOR	10uH	1	
	L921	NQLP9AJ-27NX	INDUCTOR	27nH J	1	
	L922	LR79H0AZ8N2G	CHIP INDUCTOR	8.2nF	1	
	L923	NQLZ021-9N1X	INDUCTOR	9.1nH	1	
	L924	NQR0593-001X	FERRITE BEADS		1	
	L925	NQR0593-001X	FERRITE BEADS		1	
	L926	NAX1261-001X	SAW FILTER		1	
	A921	W0C-0070-00	RF MODULE	QFN GND PAD	1	
	CN1	QGA2001F1-04	W TO B CONNE	W-B (1-4)	1	
	CN201	QGA2001C1-02	W TO B CONNE	W-B (1-2)	1	
	CN251	QGA2001C1-04	W TO B CONNE	W-B (1-4)	1	
	CN601	EB770AX-05C0A	B TO B CONNE	120P	1	
	CN602	EC720AA-0550A	FFC FPC CONNE	50P	1	
	CN603	EC720AA-0560A	FFC FPC CONNE	60P	1	
	CN721	EA120CE-2503A	W TO B CONNE	3P	1	
	CN731	QGA2021F1-04	W TO B CONNE	W-B (1-4)	1	
	CN751	EC710AM-0535A	FFC FPC CONNE	35P	1	
	CN802	QGA2001C1-04	W TO B CONNE	W-B (1-4)	1	
	CN952	EC720AA-0515A	FFC FPC CONNE	15P	1	
△	F1	FZA10BZ-7R0	FUSE (CC)	63A	1	
△	F721	F53-0513-08	PATTERN FUSE	4A	1	
△	F731	F53-0513-08	PATTERN FUSE	4A	1	
△	F732	F53-0513-08	PATTERN FUSE	4A	1	
△	F751	FZA10AC-1R0	FUSE (CC)	1	1	
△	F791	F53-0513-08	PATTERN FUSE	4A	1	
△	F801	F53-0513-08	PATTERN FUSE	4A	1	
△	F832	F53-0513-08	PATTERN FUSE	4A	1	
	J601	QNS0307-001	3.5 JACK		1	
	J791	QNS0291-001	3.5 JACK		1	
	J921	E5J-0023-00	R.RECEPTACLE	3P	1	
	VA734	EZJZ0180HA	VARIATOR		1	
	VA735	EZJZ0180HA	VARIATOR		1	
	VA791	EZJP0080MA	VARIATOR		1	
	VA792	EZJP0080MA	VARIATOR		1	
	VA793	EZJP0270RA	VARIATOR		1	
	VA794	EZJP0270RA	VARIATOR		1	
	VA823	EZJP0270RA	VARIATOR		1	
	VA824	EZJP0270RA	VARIATOR		1	
	VA835	EZJP0270RA	VARIATOR		1	
	VA921	NAF0029-002X	ESD SUPPRESSOR		1	
	X301	NAX1248-001X	CRYSTAL		1	
	X302	NAX1137-001X	CRYSTAL		1	
	X501	NAX1204-001X	CRYSTAL		1	
	X921	L7H-0069-00	TCXO		1	
	X922	NAX1248-001X	CRYSTAL		1	
	DIGITAL IO PWB ASSY(XJA-060K-04) <XJA>					
	IC501	TCC8930G-0CX2	MPU IC	BGA	1	
	IC503	W3F-0382-00	ROM IC		1	
	IC525	-----	ROM IC	NO SERVICE PART	1	
	IC531	H5TQ463CFRRDC	DRAM IC	BGA	1	
	IC532	H5TQ463CFRRDC	DRAM IC	BGA	1	
	IC541	ML86250LAZ07F	MOS IC	BGA	1	
	IC543	TC7WBL3305CFK	MOS IC		1	
	IC544	TC7SH08FUJC	MOS IC		1	
	IC545	TC7SH32FUJC	MOS IC		1	
	IC546	TC7SH08FUJC	MOS IC		1	
	IC563	MFI337S395901	MCU IC		1	
	IC571	TPS2543RTE	MOS IC		1	
	IC573	CYUSB230268LI	MOS IC		1	
	IC574	XC6223B121P-G	ANALOG IC		1	
	IC591	MP9943AGQ	ANALOG IC		1	
	IC592	MP9943AGQ	ANALOG IC		1	
	IC594	XC6223H251M-G	ANALOG IC		1	
	IC595	BU18TD3WG	MOS IC		1	
	IC596	BD001C0EEFJ-M	ANALOG IC		1	
	IC597	BD15KA5WFP	MOS IC		1	
	IC601	MP9943AGQ	ANALOG IC		1	
	IC602	TC7SH08FUJC	MOS IC		1	
	IC631	NJM2561F1	BIPOLAR IC		1	
	Q5401	LSCR523EBFS8	TRANSISTOR		1	
	Q5402	LSCR523EBFS8	TRANSISTOR		1	
	Q5403	LSCR523EBFS8	TRANSISTOR		1	
	Q5603	LTC014YEBFS8	DIGI TRANSISTOR		1	
	Q5604	LTC014YEBFS8	DIGI TRANSISTOR		1	
	Q5605	LTC014YEBFS8	DIGI TRANSISTOR		1	
	Q5606	LTC014YEBFS8	DIGI TRANSISTOR		1	
	Q5607	LSAR523UBFS8	TRANSISTOR		1	

MODEL	MARK
DDX8905S	

Safe	Symbol No.	Parts No.	Parts Name	Description	QTY	Local
	Q5608	2SC4617EB/QR/	TRANSISTOR		1	
	Q5871	LTC014YEBFS8	DIGI TRANSISTOR		1	
	Q6301	LTC014YEBFS8	DIGI TRANSISTOR		1	
	D5871	QSMR-C13SBCMN	LED		1	
	C631	CK73GBB1C105K	C CAPACITOR	1uF 16V K	1	
	C632	CK73HBB1C104K	C CAPACITOR	0.1uF 16V K	1	
	C633	CK73FXR1C106K	C CAPACITOR	10uF 16V K	1	
	C5001	CS77FBK0J101M	TA E CAPACITOR	100uF 6.3V M	1	
	C5002	CS77FBK0J101M	TA E CAPACITOR	100uF 6.3V M	1	
	C5003	CS77FBK0J101M	TA E CAPACITOR	100uF 6.3V M	1	
	C5004	CK73HBB1C104K	C CAPACITOR	0.1uF 16V K	1	
	C5005	CK73HXR0J105K	C CAPACITOR	1uF 6.3V K	1	
	C5006	CK73HBB1C104K	C CAPACITOR	0.1uF 16V K	1	
	C5007	CK73HBB1C104K	C CAPACITOR	0.1uF 16V K	1	
	C5008	CK73HBB1C104K	C CAPACITOR	0.1uF 16V K	1	
	C5009	CK73HBB1C104K	C CAPACITOR	0.1uF 16V K	1	
	C5010	CK73HBB1C104K	C CAPACITOR	0.1uF 16V K	1	
	C5014	CK73HBB1C104K	C CAPACITOR	0.1uF 16V K	1	
	C5015	CK73HBB1C104K	C CAPACITOR	0.1uF 16V K	1	
	C5016	CK73HBB1C104K	C CAPACITOR	0.1uF 16V K	1	
	C5018	CK73HBB1C104K	C CAPACITOR	0.1uF 16V K	1	
	C5019	CK73HXR0J105K	C CAPACITOR	1uF 6.3V K	1	
	C5020	CC73HCH1H181J	C CAPACITOR	180pF 50V J	1	
	C5021	CK73HBB1C104K	C CAPACITOR	0.1uF 16V K	1	
	C5022	CK73HBB1C104K	C CAPACITOR	0.1uF 16V K	1	
	C5023	CK73HBB1C104K	C CAPACITOR	0.1uF 16V K	1	
	C5024	CK73HBB1C104K	C CAPACITOR	0.1uF 16V K	1	
	C5025	CK73HBB1C104K	C CAPACITOR	0.1uF 16V K	1	
	C5026	CK73HBB1C104K	C CAPACITOR	0.1uF 16V K	1	
	C5027	CK73HBB1C104K	C CAPACITOR	0.1uF 16V K	1	
	C5028	CK73HBB1C104K	C CAPACITOR	0.1uF 16V K	1	
	C5029	CK73HBB1C104K	C CAPACITOR	0.1uF 16V K	1	
	C5030	CK73HBB1C104K	C CAPACITOR	0.1uF 16V K	1	
	C5031	CK73HBB1C104K	C CAPACITOR	0.1uF 16V K	1	
	C5032	CK73HBB1C104K	C CAPACITOR	0.1uF 16V K	1	
	C5033	CK73HBB1C104K	C CAPACITOR	0.1uF 16V K	1	
	C5034	CK73HBB1C104K	C CAPACITOR	0.1uF 16V K	1	
	C5035	CK73HBB1C104K	C CAPACITOR	0.1uF 16V K	1	
	C5036	CK73HBB1C104K	C CAPACITOR	0.1uF 16V K	1	
	C5037	CK73HBB1C104K	C CAPACITOR	0.1uF 16V K	1	
	C5038	CK73HBB1C104K	C CAPACITOR	0.1uF 16V K	1	
	C5039	CK73HBB1C104K	C CAPACITOR	0.1uF 16V K	1	
	C5041	CK73HBB1C104K	C CAPACITOR	0.1uF 16V K	1	
	C5045	CK73HBB1C104K	C CAPACITOR	0.1uF 16V K	1	
	C5047	CK73HBB1C104K	C CAPACITOR	0.1uF 16V K	1	
	C5048	CK73HBB1C104K	C CAPACITOR	0.1uF 16V K	1	
	C5049	CK73HBB1C104K	C CAPACITOR	0.1uF 16V K	1	
	C5053	CK73HBB1C104K	C CAPACITOR	0.1uF 16V K	1	
	C5054	CK73HBB1C104K	C CAPACITOR	0.1uF 16V K	1	
	C5055	CK73HBB1C104K	C CAPACITOR	0.1uF 16V K	1	
	C5056	CK73HBB1C104K	C CAPACITOR	0.1uF 16V K	1	
	C5057	CC73HCH1H080D	C CAPACITOR	8pF 50V D	1	
	C5058	CK73HBB1C104K	C CAPACITOR	0.1uF 16V K	1	
	C5061	CK73HBB1C104K	C CAPACITOR	0.1uF 16V K	1	
	C5062	CK73HBB1C104K	C CAPACITOR	0.1uF 16V K	1	
	C5063	CK73HBB1C104K	C CAPACITOR	0.1uF 16V K	1	
	C5065	CK73HBB1C104K	C CAPACITOR	0.1uF 16V K	1	
	C5066	CK73HBB1C104K	C CAPACITOR	0.1uF 16V K	1	
	C5067	CK73HBB1C104K	C CAPACITOR	0.1uF 16V K	1	
	C5068	CK73HBB1C104K	C CAPACITOR	0.1uF 16V K	1	
	C5069	CK73HBB1C104K	C CAPACITOR	0.1uF 16V K	1	
	C5071	CK73HBB1C104K	C CAPACITOR	0.1uF 16V K	1	
	C5072	CK73HBB1C104K	C CAPACITOR	0.1uF 16V K	1	
	C5073	CK73HBB1C104K	C CAPACITOR	0.1uF 16V K	1	
	C5074	CK73HBB1C104K	C CAPACITOR	0.1uF 16V K	1	
	C5075	CK73HBB1C104K	C CAPACITOR	0.1uF 16V K	1	
	C5076	CK73HBB1C104K	C CAPACITOR	0.1uF 16V K	1	
	C5077	CK73HBB1C104K	C CAPACITOR	0.1uF 16V K	1	
	C5078	CK73HBB1C104K	C CAPACITOR	0.1uF 16V K	1	
	C5079	CK73HBB1C104K	C CAPACITOR	0.1uF 16V K	1	
	C5080	CC73HCH1H100D	C CAPACITOR	10pF 50V D	1	
	C5083	CK73HBB1C104K	C CAPACITOR	0.1uF 16V K	1	
	C5084	CK73HBB1C104K	C CAPACITOR	0.1uF 16V K	1	
	C5085	CK73HBB1C104K	C CAPACITOR	0.1uF 16V K	1	
	C5086	CK73HBB1C104K	C CAPACITOR	0.1uF 16V K	1	
	C5087	CK73HBB1C104K	C CAPACITOR	0.1uF 16V K	1	
	C5088	CK73HBB1C104K	C CAPACITOR	0.1uF 16V K	1	
	C5089	CK73HBB1C104K	C CAPACITOR	0.1uF 16V K	1	
	C5096	CC73HCH1H102J	C CAPACITOR	1000pF 50V J	1	
	C5097	CC73HCH1H102J	C CAPACITOR	1000pF 50V J	1	
	C5098	CC73HCH1H102J	C CAPACITOR	1000pF 50V J	1	
	C5099	CS77FBK0J101M	TA E CAPACITOR	100uF 6.3V M	1	
	C5100	CC73HCH1H102J	C CAPACITOR	1000pF 50V J	1	
	C5102	CK73HBB1C104K	C CAPACITOR	0.1uF 16V K	1	
	C5103	CK73HBB1C104K	C CAPACITOR	0.1uF 16V K	1	
	C5104	CK73HBB1C104K	C CAPACITOR	0.1uF 16V K	1	
	C5201	CS77FBK0J101M	TA E CAPACITOR	100uF 6.3V M	1	
	C5202	CC73HCH1H102J	C CAPACITOR	1000pF 50V J	1	
	C5203	CK73HBB1C104K	C CAPACITOR	0.1uF 16V K	1	
	C5204	CK73HBB1C104K	C CAPACITOR	0.1uF 16V K	1	
	C5251	CK73FXR1C106K	C CAPACITOR	10uF 16V K	1	
	C5252	CK73FXR1C106K	C CAPACITOR	10uF 16V K	1	

MODEL	MARK
DDX8905S	

Safe	Symbol No.	Parts No.	Parts Name	Description	QTY	Local
	C5253	CK73HBB1C104K	C CAPACITOR	0.1uF 16V K	1	
	C5255	CK73HBB1C104K	C CAPACITOR	0.1uF 16V K	1	
	C5259	CK73HBB1C104K	C CAPACITOR	0.1uF 16V K	1	
	C5263	CK73FXR1C106K	C CAPACITOR	10uF 16V K	1	
	C5269	CK73FXR1C106K	C CAPACITOR	10uF 16V K	1	
	C5301	C577FBK0J101M	TA E CAPACITOR	100uF 6.3V M	1	
	C5302	CC73HCH1H181J	C CAPACITOR	180pF 50V J	1	
	C5303	CK73HBB1C104K	C CAPACITOR	0.1uF 16V K	1	
	C5304	CC73HCH1H181J	C CAPACITOR	180pF 50V J	1	
	C5305	CK73HBB1C104K	C CAPACITOR	0.1uF 16V K	1	
	C5306	CC73HCH1H181J	C CAPACITOR	180pF 50V J	1	
	C5307	CK73HBB1C104K	C CAPACITOR	0.1uF 16V K	1	
	C5308	CC73HCH1H181J	C CAPACITOR	180pF 50V J	1	
	C5309	CK73HBB1C104K	C CAPACITOR	0.1uF 16V K	1	
	C5311	CK73HBB1C104K	C CAPACITOR	0.1uF 16V K	1	
	C5312	CC73HCH1H181J	C CAPACITOR	180pF 50V J	1	
	C5313	CK73HBB1C104K	C CAPACITOR	0.1uF 16V K	1	
	C5314	CC73HCH1H181J	C CAPACITOR	180pF 50V J	1	
	C5315	CK73HBB1C104K	C CAPACITOR	0.1uF 16V K	1	
	C5316	CC73HCH1H181J	C CAPACITOR	180pF 50V J	1	
	C5317	CC73HCH1H181J	C CAPACITOR	180pF 50V J	1	
	C5318	CK73HBB1C104K	C CAPACITOR	0.1uF 16V K	1	
	C5319	CK73HBB1C104K	C CAPACITOR	0.1uF 16V K	1	
	C5320	CC73HCH1H181J	C CAPACITOR	180pF 50V J	1	
	C5321	CC73HCH1H181J	C CAPACITOR	180pF 50V J	1	
	C5322	CK73HBB1C104K	C CAPACITOR	0.1uF 16V K	1	
	C5323	CK73HBB1C104K	C CAPACITOR	0.1uF 16V K	1	
	C5324	CK73HBB1C104K	C CAPACITOR	0.1uF 16V K	1	
	C5325	CK73HBB1C104K	C CAPACITOR	0.1uF 16V K	1	
	C5326	CK73HBB1C104K	C CAPACITOR	0.1uF 16V K	1	
	C5327	CK73HBB1C104K	C CAPACITOR	0.1uF 16V K	1	
	C5328	CK73HBB1C104K	C CAPACITOR	0.1uF 16V K	1	
	C5329	CK73HBB1C104K	C CAPACITOR	0.1uF 16V K	1	
	C5330	CC73HCH1H181J	C CAPACITOR	180pF 50V J	1	
	C5331	CK73HBB1C104K	C CAPACITOR	0.1uF 16V K	1	
	C5332	CC73HCH1H181J	C CAPACITOR	180pF 50V J	1	
	C5333	CK73HBB1C104K	C CAPACITOR	0.1uF 16V K	1	
	C5334	CC73HCH1H181J	C CAPACITOR	180pF 50V J	1	
	C5335	CK73HBB1C104K	C CAPACITOR	0.1uF 16V K	1	
	C5336	CC73HCH1H181J	C CAPACITOR	180pF 50V J	1	
	C5337	CK73HBB1C104K	C CAPACITOR	0.1uF 16V K	1	
	C5338	CC73HCH1H181J	C CAPACITOR	180pF 50V J	1	
	C5339	CK73HBB1C104K	C CAPACITOR	0.1uF 16V K	1	
	C5340	CC73HCH1H181J	C CAPACITOR	180pF 50V J	1	
	C5341	CK73HBB1C104K	C CAPACITOR	0.1uF 16V K	1	
	C5342	CC73HCH1H181J	C CAPACITOR	180pF 50V J	1	
	C5343	CK73HBB1C104K	C CAPACITOR	0.1uF 16V K	1	
	C5344	CC73HCH1H181J	C CAPACITOR	180pF 50V J	1	
	C5345	CK73HBB1C104K	C CAPACITOR	0.1uF 16V K	1	
	C5346	CC73HCH1H181J	C CAPACITOR	180pF 50V J	1	
	C5347	CK73HBB1C104K	C CAPACITOR	0.1uF 16V K	1	
	C5348	CC73HCH1H181J	C CAPACITOR	180pF 50V J	1	
	C5349	CC73HCH1H181J	C CAPACITOR	180pF 50V J	1	
	C5350	CC73HCH1H181J	C CAPACITOR	180pF 50V J	1	
	C5351	CC73HCH1H181J	C CAPACITOR	180pF 50V J	1	
	C5352	CK73HBB1C104K	C CAPACITOR	0.1uF 16V K	1	
	C5353	CC73HCH1H181J	C CAPACITOR	180pF 50V J	1	
	C5354	CK73HBB1C104K	C CAPACITOR	0.1uF 16V K	1	
	C5355	CC73HCH1H181J	C CAPACITOR	180pF 50V J	1	
	C5356	CK73HBB1C104K	C CAPACITOR	0.1uF 16V K	1	
	C5357	CC73HCH1H181J	C CAPACITOR	180pF 50V J	1	
	C5358	CK73HBB1C104K	C CAPACITOR	0.1uF 16V K	1	
	C5359	CK73HBB1C104K	C CAPACITOR	0.1uF 16V K	1	
	C5360	CK73HBB1C104K	C CAPACITOR	0.1uF 16V K	1	
	C5361	CK73HBB1C104K	C CAPACITOR	0.1uF 16V K	1	
	C5362	CK73HBB1C104K	C CAPACITOR	0.1uF 16V K	1	
	C5363	CK73HBB1C104K	C CAPACITOR	0.1uF 16V K	1	
	C5364	CK73HBB1C104K	C CAPACITOR	0.1uF 16V K	1	
	C5365	CC73HCH1H181J	C CAPACITOR	180pF 50V J	1	
	C5366	CK73HBB1C104K	C CAPACITOR	0.1uF 16V K	1	
	C5367	CC73HCH1H181J	C CAPACITOR	180pF 50V J	1	
	C5368	CK73HBB1C104K	C CAPACITOR	0.1uF 16V K	1	
	C5369	CC73HCH1H181J	C CAPACITOR	180pF 50V J	1	
	C5370	CC73HCH1H181J	C CAPACITOR	180pF 50V J	1	
	C5372	CK73HBB1C104K	C CAPACITOR	0.1uF 16V K	1	
	C5373	CC73HCH1H181J	C CAPACITOR	180pF 50V J	1	
	C5374	CK73HBB1C104K	C CAPACITOR	0.1uF 16V K	1	
	C5375	CC73HCH1H181J	C CAPACITOR	180pF 50V J	1	
	C5376	CK73HBB1C104K	C CAPACITOR	0.1uF 16V K	1	
	C5377	CC73HCH1H181J	C CAPACITOR	180pF 50V J	1	
	C5378	CK73HBB1C104K	C CAPACITOR	0.1uF 16V K	1	
	C5379	CC73HCH1H181J	C CAPACITOR	180pF 50V J	1	
	C5380	CK73HBB1C104K	C CAPACITOR	0.1uF 16V K	1	
	C5381	CC73HCH1H181J	C CAPACITOR	180pF 50V J	1	
	C5382	CC73HCH1H181J	C CAPACITOR	180pF 50V J	1	
	C5383	CK73HBB1C104K	C CAPACITOR	0.1uF 16V K	1	
	C5385	CC73HCH1H102J	C CAPACITOR	1000pF 50V J	1	
	C5401	CC73HCH1H221J	C CAPACITOR	220pF 50V J	1	
	C5402	CC73HCH1H221J	C CAPACITOR	220pF 50V J	1	
	C5471	CK73HBB1C104K	C CAPACITOR	0.1uF 16V K	1	
	C5472	CK73HBB1C104K	C CAPACITOR	0.1uF 16V K	1	
	C5473	CK73HBB1C104K	C CAPACITOR	0.1uF 16V K	1	
	C5474	CK73HBB1H103K	C CAPACITOR	0.01uF 50V K	1	

MODEL	MARK
DDX8905S	

Safe	Symbol No.	Parts No.	Parts Name	Description	QTY	Local
	C5475	CK73HCH1H221J	C CAPACITOR	220pF 50V J	1	
	C5476	CK73HCH1H221J	C CAPACITOR	220pF 50V J	1	
	C5479	CK73HBB1C104K	C CAPACITOR	0.1uF 16V K	1	
	C5480	CK73HBB1C104K	C CAPACITOR	0.1uF 16V K	1	
	C5481	CK73HBB1C104K	C CAPACITOR	0.1uF 16V K	1	
	C5482	CK73HBB1C104K	C CAPACITOR	0.1uF 16V K	1	
	C5484	CK73HBB1C104K	C CAPACITOR	0.1uF 16V K	1	
	C5485	CK73HBB1C104K	C CAPACITOR	0.1uF 16V K	1	
	C5486	CK73HBB1C104K	C CAPACITOR	0.1uF 16V K	1	
	C5487	CK73HBB1C104K	C CAPACITOR	0.1uF 16V K	1	
	C5488	CK73HBB1C104K	C CAPACITOR	0.1uF 16V K	1	
	C5489	CK73HBB1C104K	C CAPACITOR	0.1uF 16V K	1	
	C5490	CK73HBB1C104K	C CAPACITOR	0.1uF 16V K	1	
	C5491	CK73FXR1C106K	C CAPACITOR	10uF 16V K	1	
	C5493	CK73FXR1C106K	C CAPACITOR	10uF 16V K	1	
	C5494	CK73GXR0J106M	C CAPACITOR	10uF 6.3V M	1	
	C5495	CK73GXR0J106M	C CAPACITOR	10uF 6.3V M	1	
	C5496	CK73FXR1C106K	C CAPACITOR	10uF 16V K	1	
	C5497	CK73GXR0J106M	C CAPACITOR	10uF 6.3V M	1	
	C5498	CK73FXR1C106K	C CAPACITOR	10uF 16V K	1	
	C5499	CK73GXR0J106M	C CAPACITOR	10uF 6.3V M	1	
	C5500	CK73HBB1H103K	C CAPACITOR	0.01uF 50V K	1	
	C5501	CK73HBB1H103K	C CAPACITOR	0.01uF 50V K	1	
	C5502	CK73HBB1H103K	C CAPACITOR	0.01uF 50V K	1	
	C5503	CK73HBB1H103K	C CAPACITOR	0.01uF 50V K	1	
	C5504	CK73HCH1H102J	C CAPACITOR	1000pF 50V J	1	
	C5505	CK73HCH1H102J	C CAPACITOR	1000pF 50V J	1	
	C5506	CK73HCH1H102J	C CAPACITOR	1000pF 50V J	1	
	C5507	CK73GBB1C105K	C CAPACITOR	1uF 16V K	1	
	C5508	CK73GBB1C105K	C CAPACITOR	1uF 16V K	1	
	C5509	CK73GBB1C105K	C CAPACITOR	1uF 16V K	1	
	C5510	CK73GBB1C105K	C CAPACITOR	1uF 16V K	1	
	C5511	CK73HCH1H100D	C CAPACITOR	10pF 50V D	1	
	C5512	CK73HCH1H100D	C CAPACITOR	10pF 50V D	1	
	C5513	CK73GBB1C105K	C CAPACITOR	1uF 16V K	1	
	C5514	CK73GBB1C105K	C CAPACITOR	1uF 16V K	1	
	C5515	CK73GBB1C105K	C CAPACITOR	1uF 16V K	1	
	C5517	CK73GXR0J106M	C CAPACITOR	10uF 6.3V M	1	
	C5518	CK73FXR1C106K	C CAPACITOR	10uF 16V K	1	
	C5519	CK73FXR1C106K	C CAPACITOR	10uF 16V K	1	
	C5520	CK73HBB1C104K	C CAPACITOR	0.1uF 16V K	1	
	C5521	CK73GBB1C105K	C CAPACITOR	1uF 16V K	1	
	C5523	CK73GBB1C105K	C CAPACITOR	1uF 16V K	1	
	C5524	CK73GBB1C105K	C CAPACITOR	1uF 16V K	1	
	C5530	CK73HBB1C104K	C CAPACITOR	0.1uF 16V K	1	
	C5531	CK73GBB1C105K	C CAPACITOR	1uF 16V K	1	
	C5532	CK73GBB1C105K	C CAPACITOR	1uF 16V K	1	
	C5533	CK73GBB1C105K	C CAPACITOR	1uF 16V K	1	
	C5632	CK73HBB1C104K	C CAPACITOR	0.1uF 16V K	1	
	C5701	CK73HBB1C104K	C CAPACITOR	0.1uF 16V K	1	
	C5704	CK73HCH1H080D	C CAPACITOR	8pF 50V D	1	
	C5705	CK73HCH1H080D	C CAPACITOR	8pF 50V D	1	
	C5710	CK73HBB1C104K	C CAPACITOR	0.1uF 16V K	1	
	C5711	CK73HBB1C104K	C CAPACITOR	0.1uF 16V K	1	
	C5712	CK73HBB1C104K	C CAPACITOR	0.1uF 16V K	1	
	C5713	CK73HBB1C104K	C CAPACITOR	0.1uF 16V K	1	
	C5714	CK73HBB1C104K	C CAPACITOR	0.1uF 16V K	1	
	C5715	CK73HBB1C104K	C CAPACITOR	0.1uF 16V K	1	
	C5716	CK73HBB1C104K	C CAPACITOR	0.1uF 16V K	1	
	C5717	CK73HBB1C104K	C CAPACITOR	0.1uF 16V K	1	
	C5718	CK73HBB1C104K	C CAPACITOR	0.1uF 16V K	1	
	C5719	CK73HBB1C104K	C CAPACITOR	0.1uF 16V K	1	
	C5720	CK73HBB1C104K	C CAPACITOR	0.1uF 16V K	1	
	C5721	CK73HBB1C104K	C CAPACITOR	0.1uF 16V K	1	
	C5722	CK73HBB1C104K	C CAPACITOR	0.1uF 16V K	1	
	C5723	CK73HBB1C104K	C CAPACITOR	0.1uF 16V K	1	
	C5724	CK73HBB1C104K	C CAPACITOR	0.1uF 16V K	1	
	C5725	CK73HBB1C104K	C CAPACITOR	0.1uF 16V K	1	
	C5726	CK73HBB1C104K	C CAPACITOR	0.1uF 16V K	1	
	C5727	CK73HBB1C104K	C CAPACITOR	0.1uF 16V K	1	
	C5728	CK73HBB1C104K	C CAPACITOR	0.1uF 16V K	1	
	C5729	CK73HBB1C104K	C CAPACITOR	0.1uF 16V K	1	
	C5730	CK73FXR1C106K	C CAPACITOR	10uF 16V K	1	
	C5731	CK73FXR1C106K	C CAPACITOR	10uF 16V K	1	
	C5740	CK73FXR1C106K	C CAPACITOR	10uF 16V K	1	
	C5741	CK73FXR1C106K	C CAPACITOR	10uF 16V K	1	
	C5903	CK73EXR1E106K	C CAPACITOR	10uF 25V K	1	
	C5904	CK73EXR1E106K	C CAPACITOR	10uF 25V K	1	
	C5905	CK73GXR1E224K	C CAPACITOR	0.022uF 25V K	1	
	C5907	CK73HBB1C104K	C CAPACITOR	0.1uF 16V K	1	
	C5908	CK73HBB1C104K	C CAPACITOR	0.1uF 16V K	1	
	C5910	CK73HCH1H560J	C CAPACITOR	56pF 50V J	1	
	C5911	CK73EXR0J476M	C CAPACITOR	47uF 6.3V M	1	
	C5912	CK73EXR0J476M	C CAPACITOR	47uF 6.3V M	1	
	C5913	CK73HCH1H221J	C CAPACITOR	220pF 50V J	1	
	C5916	CK73EXR1E106K	C CAPACITOR	10uF 25V K	1	
	C5917	CK73EXR1E106K	C CAPACITOR	10uF 25V K	1	
	C5918	CK73GXR1E224K	C CAPACITOR	0.022uF 25V K	1	
	C5920	CK73HBB1C104K	C CAPACITOR	0.1uF 16V K	1	
	C5921	CK73HBB1C104K	C CAPACITOR	0.1uF 16V K	1	
	C5923	CK73HCH1H470J	C CAPACITOR	47pF 50V J	1	
	C5924	CK73EXR0J476M	C CAPACITOR	47uF 6.3V M	1	

MODEL	MARK
DDX8905S	

Safe	Symbol No.	Parts No.	Parts Name	Description	QTY	Local
	C5925	CK73EXR0J476M	C CAPACITOR	47uF 6.3V M	1	
	C5926	CC73HCH1H221J	C CAPACITOR	220pF 50V J	1	
	C5931	CK73FXR1C106K	C CAPACITOR	10uF 16V K	1	
	C5932	CK73FXR1C106K	C CAPACITOR	10uF 16V K	1	
	C5933	CK73GBB1C105K	C CAPACITOR	1uF 16V K	1	
	C5934	CK73GBB1C105K	C CAPACITOR	1uF 16V K	1	
	C5936	CK73FXR1C106K	C CAPACITOR	10uF 16V K	1	
	C5937	CK73FXR1C106K	C CAPACITOR	10uF 16V K	1	
	C5938	CK73FXR1C106K	C CAPACITOR	10uF 16V K	1	
	C5940	CK73FXR1C106K	C CAPACITOR	10uF 16V K	1	
	C5941	CK73FXR1C106K	C CAPACITOR	10uF 16V K	1	
	C5961	CC73HCH1H220J	C CAPACITOR	22pF 50V J	1	
	C5962	CC73HCH1H220J	C CAPACITOR	22pF 50V J	1	
	C5963	CC73HCH1H220J	C CAPACITOR	22pF 50V J	1	
	C5965	CK73HBB1H103K	C CAPACITOR	0.01uF 50V K	1	
	C5983	CK73EXR1E106K	C CAPACITOR	10uF 25V K	1	
	C5984	CK73EXR1E106K	C CAPACITOR	10uF 25V K	1	
	C5985	CK73GXR1E224K	C CAPACITOR	0.022uF 25V K	1	
	C5991	CK73HBB1C104K	C CAPACITOR	0.1uF 16V K	1	
	C5993	CK73HBB1C104K	C CAPACITOR	0.1uF 16V K	1	
	C5995	CC73HCH1H470J	C CAPACITOR	47pF 50V J	1	
	C5996	CK73EXR0J476M	C CAPACITOR	47uF 6.3V M	1	
	C5997	CK73EXR0J476M	C CAPACITOR	47uF 6.3V M	1	
	C5998	CC73HCH1H221J	C CAPACITOR	220pF 50V J	1	
	C6020	CC73HCH1H100D	C CAPACITOR	10pF 50V D	1	
	C6025	CC73HCH1H221J	C CAPACITOR	220pF 50V J	1	
	C6026	CK73FXR1C106K	C CAPACITOR	10uF 16V K	1	
	C6027	CC73HCH1H221J	C CAPACITOR	220pF 50V J	1	
	C6028	CK73HBB1C104K	C CAPACITOR	0.1uF 16V K	1	
	C6029	CK73HBB1H103K	C CAPACITOR	0.01uF 50V K	1	
	C6030	CK73HBB1C104K	C CAPACITOR	0.1uF 16V K	1	
	C6301	CK73HBB1H103K	C CAPACITOR	0.01uF 50V K	1	
	R2	RK73GB2A000J	MG RESISTOR	0Ω 1/10W J	1	
	R6	RK73GB2A000J	MG RESISTOR	0Ω 1/10W J	1	
	R631	RK73HH1J750D	MG RESISTOR	75Ω 1/16W D	1	
	R632	RK73HH1J750D	MG RESISTOR	75Ω 1/16W D	1	
	R633	RK73HB1J471J	MG RESISTOR	470Ω 1/16W J	1	
	R5001	RK73HH1J102D	MG RESISTOR	1kΩ 1/16W D	1	
	R5002	RK73HB1J105J	MG RESISTOR	1MΩ 1/16W J	1	
	R5003	RK73HH1J102D	MG RESISTOR	1kΩ 1/16W D	1	
	R5005	RK73HB1J472J	MG RESISTOR	4.7kΩ 1/16W J	1	
	R5007	RK73HB1J472J	MG RESISTOR	4.7kΩ 1/16W J	1	
	R5008	RK73HB1J472J	MG RESISTOR	4.7kΩ 1/16W J	1	
	R5009	RK73HB1J103J	MG RESISTOR	10kΩ 1/16W J	1	
	R5012	RK73HB1J000J	MG RESISTOR	0Ω 1/16W J	1	
	R5014	RK73HB1J000J	MG RESISTOR	0Ω 1/16W J	1	
	R5015	RK73HB1J000J	MG RESISTOR	0Ω 1/16W J	1	
	R5016	RK73HB1J272J	MG RESISTOR	2.7kΩ 1/16W J	1	
	R5017	RK73HB1J000J	MG RESISTOR	0Ω 1/16W J	1	
	R5019	RK73HB1J000J	MG RESISTOR	0Ω 1/16W J	1	
	R5020	RK73HB1J272J	MG RESISTOR	2.7kΩ 1/16W J	1	
	R5022	RK73HB1J103J	MG RESISTOR	10kΩ 1/16W J	1	
	R5023	RK73HB1J272J	MG RESISTOR	2.7kΩ 1/16W J	1	
	R5024	RK73HB1J103J	MG RESISTOR	10kΩ 1/16W J	1	
	R5025	RK73HB1J472J	MG RESISTOR	4.7kΩ 1/16W J	1	
	R5027	RK73HB1J103J	MG RESISTOR	10kΩ 1/16W J	1	
	R5028	RK73HB1J472J	MG RESISTOR	4.7kΩ 1/16W J	1	
	R5029	RK73HB1J272J	MG RESISTOR	2.7kΩ 1/16W J	1	
	R5030	RK73HH1J201D	MG RESISTOR	200Ω 1/16W D	1	
	R5031	RK73HB1J102J	MG RESISTOR	1kΩ 1/16W J	1	
	R5032	RK73HB1J272J	MG RESISTOR	2.7kΩ 1/16W J	1	
	R5033	RK73HB1J272J	MG RESISTOR	2.7kΩ 1/16W J	1	
	R5034	RK73HB1J102J	MG RESISTOR	1kΩ 1/16W J	1	
	R5035	RK73HH1J44R2D	MG RESISTOR	44.2Ω 1/16W D	1	
	R5036	RK73HB1J000J	MG RESISTOR	0Ω 1/16W J	1	
	R5037	RK73HB1J272J	MG RESISTOR	2.7kΩ 1/16W J	1	
	R5038	RK73HB1J000J	MG RESISTOR	0Ω 1/16W J	1	
	R5039	RK73HB1J103J	MG RESISTOR	10kΩ 1/16W J	1	
	R5040	RK73HB1J472J	MG RESISTOR	4.7kΩ 1/16W J	1	
	R5043	RK73HH1J241D	MG RESISTOR	240Ω 1/16W D	1	
	R5044	RK73HB1J122J	MG RESISTOR	1.2kΩ 1/16W J	1	
	R5045	RK73HB1J472J	MG RESISTOR	4.7kΩ 1/16W J	1	
	R5046	RK73HB1J103J	MG RESISTOR	10kΩ 1/16W J	1	
	R5047	RK73HB1J103J	MG RESISTOR	10kΩ 1/16W J	1	
	R5048	RK73HB1J000J	MG RESISTOR	0Ω 1/16W J	1	
	R5050	RK73HB1J272J	MG RESISTOR	2.7kΩ 1/16W J	1	
	R5051	RK73HB1J272J	MG RESISTOR	2.7kΩ 1/16W J	1	
	R5052	RK73GB2A000J	MG RESISTOR	0Ω 1/10W J	1	
	R5053	RK73HB1J103J	MG RESISTOR	10kΩ 1/16W J	1	
	R5054	RK73HB1J103J	MG RESISTOR	10kΩ 1/16W J	1	
	R5057	RK73HB1J223J	MG RESISTOR	22kΩ 1/16W J	1	
	R5058	RK73HB1J101J	MG RESISTOR	100Ω 1/16W J	1	
	R5060	RK73HB1J103J	MG RESISTOR	10kΩ 1/16W J	1	
	R5061	RK73HB1J272J	MG RESISTOR	2.7kΩ 1/16W J	1	
	R5063	RK73HB1J103J	MG RESISTOR	10kΩ 1/16W J	1	
	R5064	RK73HB1J103J	MG RESISTOR	10kΩ 1/16W J	1	
	R5065	RK73HB1J103J	MG RESISTOR	10kΩ 1/16W J	1	
	R5066	RK73HB1J103J	MG RESISTOR	10kΩ 1/16W J	1	
	R5068	RK73HB1J103J	MG RESISTOR	10kΩ 1/16W J	1	
	R5070	RK73HB1J470J	MG RESISTOR	47Ω 1/16W J	1	
	R5071	RK73HB1J470J	MG RESISTOR	47Ω 1/16W J	1	
	R5072	RK73HB1J000J	MG RESISTOR	0Ω 1/16W J	1	

MODEL	MARK
DDX8905S	

Safe	Symbol No.	Parts No.	Parts Name	Description	QTY	Local
	R5073	RK73HB1J470J	MG RESISTOR	47Ω 1/16W J	1	
	R5074	RK73HB1J103J	MG RESISTOR	10kΩ 1/16W J	1	
	R5076	RK73HB1J000J	MG RESISTOR	0Ω 1/16W J	1	
	R5078	RK73HB1J000J	MG RESISTOR	0Ω 1/16W J	1	
	R5079	RK73HB1J000J	MG RESISTOR	0Ω 1/16W J	1	
	R5081	RK73HB1J000J	MG RESISTOR	0Ω 1/16W J	1	
	R5083	RK73HB1J103J	MG RESISTOR	10kΩ 1/16W J	1	
	R5089	RK73HB1J103J	MG RESISTOR	10kΩ 1/16W J	1	
	R5090	RK73HB1J103J	MG RESISTOR	10kΩ 1/16W J	1	
	R5091	RK73HB1J103J	MG RESISTOR	10kΩ 1/16W J	1	
	R5093	RK73HB1J272J	MG RESISTOR	2.7kΩ 1/16W J	1	
	R5095	RK73HB1J103J	MG RESISTOR	10kΩ 1/16W J	1	
	R5098	RK73HB1J103J	MG RESISTOR	10kΩ 1/16W J	1	
	R5100	RK73HB1J103J	MG RESISTOR	10kΩ 1/16W J	1	
	R5102	RK73HB1J103J	MG RESISTOR	10kΩ 1/16W J	1	
	R5103	RK73HB1J103J	MG RESISTOR	10kΩ 1/16W J	1	
	R5105	RK73HB1J103J	MG RESISTOR	10kΩ 1/16W J	1	
	R5109	RK73HB1J103J	MG RESISTOR	10kΩ 1/16W J	1	
	R5113	RK73HB1J103J	MG RESISTOR	10kΩ 1/16W J	1	
	R5115	RK73HB1J103J	MG RESISTOR	10kΩ 1/16W J	1	
	R5116	RK73HB1J103J	MG RESISTOR	10kΩ 1/16W J	1	
	R5122	RK73HB1J000J	MG RESISTOR	0Ω 1/16W J	1	
	R5125	RK73HB1J103J	MG RESISTOR	10kΩ 1/16W J	1	
	R5126	RK73HB1J103J	MG RESISTOR	10kΩ 1/16W J	1	
	R5127	RK73HB1J103J	MG RESISTOR	10kΩ 1/16W J	1	
	R5128	RK73HB1J103J	MG RESISTOR	10kΩ 1/16W J	1	
	R5129	RK73HB1J103J	MG RESISTOR	10kΩ 1/16W J	1	
	R5134	RK73HB1J470J	MG RESISTOR	47Ω 1/16W J	1	
	R5135	RK73HB1J470J	MG RESISTOR	47Ω 1/16W J	1	
	R5136	RK73HB1J470J	MG RESISTOR	47Ω 1/16W J	1	
	R5137	RK73HB1J470J	MG RESISTOR	47Ω 1/16W J	1	
	R5139	RK73HB1J470J	MG RESISTOR	47Ω 1/16W J	1	
	R5140	RK73HB1J470J	MG RESISTOR	47Ω 1/16W J	1	
	R5151	RK73HB1J000J	MG RESISTOR	0Ω 1/16W J	1	
	R5152	RK73HB1J272J	MG RESISTOR	2.7kΩ 1/16W J	1	
	R5153	RK73HB1J272J	MG RESISTOR	2.7kΩ 1/16W J	1	
	R5201	RK73GB2A000J	MG RESISTOR	0Ω 1/10W J	1	
	R5203	RK73HB1J103J	MG RESISTOR	10kΩ 1/16W J	1	
	R5204	RK73HB1J472J	MG RESISTOR	4.7kΩ 1/16W J	1	
	R5205	RK73HB1J272J	MG RESISTOR	2.7kΩ 1/16W J	1	
	R5206	RK73HB1J103J	MG RESISTOR	10kΩ 1/16W J	1	
	R5220	RK73HB1J470J	MG RESISTOR	47Ω 1/16W J	1	
	R5221	RK73HB1J470J	MG RESISTOR	47Ω 1/16W J	1	
	R5222	RK73HB1J470J	MG RESISTOR	47Ω 1/16W J	1	
	R5223	RK73HB1J470J	MG RESISTOR	47Ω 1/16W J	1	
	R5224	RK73HB1J470J	MG RESISTOR	47Ω 1/16W J	1	
	R5225	RK73HB1J470J	MG RESISTOR	47Ω 1/16W J	1	
	R5226	RK73HB1J470J	MG RESISTOR	47Ω 1/16W J	1	
	R5227	RK73HB1J470J	MG RESISTOR	47Ω 1/16W J	1	
	R5231	RK73HB1J470J	MG RESISTOR	47Ω 1/16W J	1	
	R5232	RK73HB1J470J	MG RESISTOR	47Ω 1/16W J	1	
	R5233	RK73HB1J470J	MG RESISTOR	47Ω 1/16W J	1	
	R5234	RK73HB1J470J	MG RESISTOR	47Ω 1/16W J	1	
	R5236	RK73HB1J470J	MG RESISTOR	47Ω 1/16W J	1	
	R5237	RK73HB1J470J	MG RESISTOR	47Ω 1/16W J	1	
	R5238	RK73HB1J470J	MG RESISTOR	47Ω 1/16W J	1	
	R5251	RK73GB2A000J	MG RESISTOR	0Ω 1/10W J	1	
	R5265	RK73HB1J473J	MG RESISTOR	47kΩ 1/16W J	1	
	R5266	RK73HB1J473J	MG RESISTOR	47kΩ 1/16W J	1	
	R5268	RK73HB1J820J	MG RESISTOR	82Ω 1/16W J	1	
	R5269	RK73HB1J820J	MG RESISTOR	82Ω 1/16W J	1	
	R5270	RK73HB1J820J	MG RESISTOR	82Ω 1/16W J	1	
	R5271	RK73HB1J820J	MG RESISTOR	82Ω 1/16W J	1	
	R5272	RK73HB1J820J	MG RESISTOR	82Ω 1/16W J	1	
	R5273	RK73HB1J820J	MG RESISTOR	82Ω 1/16W J	1	
	R5274	RK73HB1J820J	MG RESISTOR	82Ω 1/16W J	1	
	R5275	RK73HB1J820J	MG RESISTOR	82Ω 1/16W J	1	
	R5276	RK73HB1J820J	MG RESISTOR	82Ω 1/16W J	1	
	R5277	RK73HB1J820J	MG RESISTOR	82Ω 1/16W J	1	
	R5278	RK73HB1J820J	MG RESISTOR	82Ω 1/16W J	1	
	R5301	RK73HH1J102D	MG RESISTOR	1kΩ 1/16W D	1	
	R5302	RK73HH1J102D	MG RESISTOR	1kΩ 1/16W D	1	
	R5303	RK73HH1J102D	MG RESISTOR	1kΩ 1/16W D	1	
	R5304	RK73HH1J102D	MG RESISTOR	1kΩ 1/16W D	1	
	R5305	RK73HH1J241D	MG RESISTOR	240Ω 1/16W D	1	
	R5306	RK73HH1J102D	MG RESISTOR	1kΩ 1/16W D	1	
	R5307	RK73HH1J102D	MG RESISTOR	1kΩ 1/16W D	1	
	R5308	RK73HH1J102D	MG RESISTOR	1kΩ 1/16W D	1	
	R5309	RK73HH1J102D	MG RESISTOR	1kΩ 1/16W D	1	
	R5310	RK73HH1J241D	MG RESISTOR	240Ω 1/16W D	1	
	R5311	RK73HH1J102D	MG RESISTOR	1kΩ 1/16W D	1	
	R5312	RK73HH1J102D	MG RESISTOR	1kΩ 1/16W D	1	
	R5313	RK73FB2B000J	MG RESISTOR	0Ω 1/8W J	1	
	R5407	RK73HB1J101J	MG RESISTOR	100Ω 1/16W J	1	
	R5408	RK73HB1J470J	MG RESISTOR	47Ω 1/16W J	1	
	R5410	RK73HB1J221J	MG RESISTOR	220Ω 1/16W J	1	
	R5411	RK73HB1J221J	MG RESISTOR	220Ω 1/16W J	1	
	R5419	RK73HB1J000J	MG RESISTOR	0Ω 1/16W J	1	
	R5420	RK73HB1J000J	MG RESISTOR	0Ω 1/16W J	1	
	R5422	RK73HH1J201D	MG RESISTOR	200Ω 1/16W D	1	
	R5424	RK73HH1J201D	MG RESISTOR	200Ω 1/16W D	1	
	R5425	RK73HH1J201D	MG RESISTOR	200Ω 1/16W D	1	
	R5428	RK73HB1J473J	MG RESISTOR	47kΩ 1/16W J	1	

MODEL	MARK
DDX8905S	

Safe	Symbol No.	Parts No.	Parts Name	Description	QTY	Local
	R5429	RK73HB1J102J	MG RESISTOR	1kΩ 1/16W J	1	
	R5430	RK73HB1J105J	MG RESISTOR	1MΩ 1/16W J	1	
	R5434	RK73HB1J000J	MG RESISTOR	0Ω 1/16W J	1	
	R5435	RK73HB1J101J	MG RESISTOR	100Ω 1/16W J	1	
	R5437	RK73HB1J000J	MG RESISTOR	0Ω 1/16W J	1	
	R5438	RK73HB1J000J	MG RESISTOR	0Ω 1/16W J	1	
	R5444	RK73HB1J103J	MG RESISTOR	10kΩ 1/16W J	1	
	R5445	RK73HB1J000J	MG RESISTOR	0Ω 1/16W J	1	
	R5450	RK73HB1J000J	MG RESISTOR	0Ω 1/16W J	1	
	R5451	RK73HB1J000J	MG RESISTOR	0Ω 1/16W J	1	
	R5452	RK73HB1J000J	MG RESISTOR	0Ω 1/16W J	1	
	R5453	RK73HB1J000J	MG RESISTOR	0Ω 1/16W J	1	
	R5454	RK73HB1J000J	MG RESISTOR	0Ω 1/16W J	1	
	R5456	RK73HB1J103J	MG RESISTOR	10kΩ 1/16W J	1	
	R5471	RK73HB1J103J	MG RESISTOR	10kΩ 1/16W J	1	
	R5472	RK73HB1J223J	MG RESISTOR	22kΩ 1/16W J	1	
	R5473	RK73HB1J103J	MG RESISTOR	10kΩ 1/16W J	1	
	R5474	RK73HB1J101J	MG RESISTOR	100Ω 1/16W J	1	
	R5477	RK73HB1J101J	MG RESISTOR	100Ω 1/16W J	1	
	R5478	RK73HB1J101J	MG RESISTOR	100Ω 1/16W J	1	
	R5481	RK73HB1J101J	MG RESISTOR	100Ω 1/16W J	1	
	R5482	RK73HB1J101J	MG RESISTOR	100Ω 1/16W J	1	
	R5484	RK73HB1J101J	MG RESISTOR	100Ω 1/16W J	1	
	R5485	RK73HB1J101J	MG RESISTOR	100Ω 1/16W J	1	
	R5486	RK73HB1J101J	MG RESISTOR	100Ω 1/16W J	1	
	R5487	RK73HB1J101J	MG RESISTOR	100Ω 1/16W J	1	
	R5488	RK73HB1J101J	MG RESISTOR	100Ω 1/16W J	1	
	R5489	RK73HB1J101J	MG RESISTOR	100Ω 1/16W J	1	
	R5490	RK73HB1J101J	MG RESISTOR	100Ω 1/16W J	1	
	R5491	RK73HB1J101J	MG RESISTOR	100Ω 1/16W J	1	
	R5494	RK73HB1J000J	MG RESISTOR	0Ω 1/16W J	1	
	R5496	RK73HB1J000J	MG RESISTOR	0Ω 1/16W J	1	
	R5497	RK73HB1J000J	MG RESISTOR	0Ω 1/16W J	1	
	R5501	RK73HH1J201D	MG RESISTOR	200Ω 1/16W D	1	
	R5502	RK73HB1J823J	MG RESISTOR	82kΩ 1/16W J	1	
	R5503	RK73HB1J224J	MG RESISTOR	220kΩ 1/16W J	1	
	R5504	RK73HH1J201D	MG RESISTOR	200Ω 1/16W D	1	
	R5505	RK73HB1J823J	MG RESISTOR	82kΩ 1/16W J	1	
	R5506	RK73HB1J224J	MG RESISTOR	220kΩ 1/16W J	1	
	R5507	RK73HH1J201D	MG RESISTOR	200Ω 1/16W D	1	
	R5508	RK73HB1J823J	MG RESISTOR	82kΩ 1/16W J	1	
	R5509	RK73HB1J224J	MG RESISTOR	220kΩ 1/16W J	1	
	R5631	RK73HB1J000J	MG RESISTOR	0Ω 1/16W J	1	
	R5633	RK73HB1J000J	MG RESISTOR	0Ω 1/16W J	1	
	R5634	RK73HB1J000J	MG RESISTOR	0Ω 1/16W J	1	
	R5641	RK73HB1J122J	MG RESISTOR	1.2kΩ 1/16W J	1	
	R5643	RK73HB1J103J	MG RESISTOR	10kΩ 1/16W J	1	
	R5644	RK73HB1J272J	MG RESISTOR	2.7kΩ 1/16W J	1	
	R5645	RK73HB1J101J	MG RESISTOR	100Ω 1/16W J	1	
	R5646	RK73HB1J101J	MG RESISTOR	100Ω 1/16W J	1	
	R5647	RK73HB1J101J	MG RESISTOR	100Ω 1/16W J	1	
	R5648	RK73HB1J101J	MG RESISTOR	100Ω 1/16W J	1	
	R5649	RK73HB1J473J	MG RESISTOR	47kΩ 1/16W J	1	
	R5651	RK73HB1J101J	MG RESISTOR	100Ω 1/16W J	1	
	R5658	RK73HB1J473J	MG RESISTOR	47kΩ 1/16W J	1	
	R5665	RK73HB1J472J	MG RESISTOR	4.7kΩ 1/16W J	1	
	R5666	RK73HB1J103J	MG RESISTOR	10kΩ 1/16W J	1	
	R5667	RK73HB1J102J	MG RESISTOR	1kΩ 1/16W J	1	
	R5668	RK73HB1J472J	MG RESISTOR	4.7kΩ 1/16W J	1	
	R5669	RK73HB1J272J	MG RESISTOR	2.7kΩ 1/16W J	1	
	R5670	RK73HB1J472J	MG RESISTOR	4.7kΩ 1/16W J	1	
	R5672	RK73HB1J473J	MG RESISTOR	47kΩ 1/16W J	1	
	R5673	RK73HB1J473J	MG RESISTOR	47kΩ 1/16W J	1	
	R5679	RK73HB1J101J	MG RESISTOR	100Ω 1/16W J	1	
	R5680	RK73HB1J101J	MG RESISTOR	100Ω 1/16W J	1	
	R5703	RK73HB1J473J	MG RESISTOR	47kΩ 1/16W J	1	
	R5704	RK73HB1J473J	MG RESISTOR	47kΩ 1/16W J	1	
	R5705	RK73HB1J272J	MG RESISTOR	2.7kΩ 1/16W J	1	
	R5707	RK73HB1J000J	MG RESISTOR	0Ω 1/16W J	1	
	R5709	RK73HB1J473J	MG RESISTOR	47kΩ 1/16W J	1	
	R5712	RK73HB1J272J	MG RESISTOR	2.7kΩ 1/16W J	1	
	R5713	RK73HB1J103J	MG RESISTOR	10kΩ 1/16W J	1	
	R5714	RK73HB1J103J	MG RESISTOR	10kΩ 1/16W J	1	
	R5717	RK73HB1J103J	MG RESISTOR	10kΩ 1/16W J	1	
	R5718	RK73HB1J103J	MG RESISTOR	10kΩ 1/16W J	1	
	R5719	RK73HB1J000J	MG RESISTOR	0Ω 1/16W J	1	
	R5723	RK73HB1J103J	MG RESISTOR	10kΩ 1/16W J	1	
	R5727	RK73HB1J000J	MG RESISTOR	0Ω 1/16W J	1	
	R5729	RK73HB1J103J	MG RESISTOR	10kΩ 1/16W J	1	
	R5731	RK73HB1J103J	MG RESISTOR	10kΩ 1/16W J	1	
	R5732	RK73HB1J103J	MG RESISTOR	10kΩ 1/16W J	1	
	R5733	RK73HH1J201D	MG RESISTOR	200Ω 1/16W D	1	
	R5734	RK73HH1J362D	MG RESISTOR	3.6kΩ 1/16W D	1	
	R5735	RK73HH1J222D	MG RESISTOR	2.2kΩ 1/16W D	1	
	R5736	RK73HH1J241D	MG RESISTOR	240Ω 1/16W D	1	
	R5751	RK73HB1J000J	MG RESISTOR	0Ω 1/16W J	1	
	R5752	RK73HB1J000J	MG RESISTOR	0Ω 1/16W J	1	
	R5755	RK73GB2A000J	MG RESISTOR	0Ω 1/10W J	1	
	R5756	RK73GB2A000J	MG RESISTOR	0Ω 1/10W J	1	
	R5759	RK73GB2A000J	MG RESISTOR	0Ω 1/10W J	1	
	R5760	RK73GB2A000J	MG RESISTOR	0Ω 1/10W J	1	
	R5790	RK73HB1J101J	MG RESISTOR	100Ω 1/16W J	1	

MODEL	MARK
DDX8905S	

Safe	Symbol No.	Parts No.	Parts Name	Description	QTY	Local
	R5791	RK73HB1J101J	MG RESISTOR	100Ω 1/16W J	1	
	R5804	RK73HB1J101J	MG RESISTOR	100Ω 1/16W J	1	
	R5805	RK73HB1J101J	MG RESISTOR	100Ω 1/16W J	1	
	R5806	RK73HB1J101J	MG RESISTOR	100Ω 1/16W J	1	
	R5808	RK73HB1J101J	MG RESISTOR	100Ω 1/16W J	1	
	R5809	RK73HB1J101J	MG RESISTOR	100Ω 1/16W J	1	
	R5810	RK73HB1J101J	MG RESISTOR	100Ω 1/16W J	1	
	R5811	RK73HB1J101J	MG RESISTOR	100Ω 1/16W J	1	
	R5812	RK73HB1J101J	MG RESISTOR	100Ω 1/16W J	1	
	R5813	RK73HB1J101J	MG RESISTOR	100Ω 1/16W J	1	
	R5815	RK73HB1J101J	MG RESISTOR	100Ω 1/16W J	1	
	R5816	RK73HB1J101J	MG RESISTOR	100Ω 1/16W J	1	
	R5817	RK73HB1J000J	MG RESISTOR	0Ω 1/16W J	1	
	R5828	RK73HB1J101J	MG RESISTOR	100Ω 1/16W J	1	
	R5830	RK73HB1J101J	MG RESISTOR	100Ω 1/16W J	1	
	R5831	RK73HB1J000J	MG RESISTOR	0Ω 1/16W J	1	
	R5832	RK73HB1J101J	MG RESISTOR	100Ω 1/16W J	1	
	R5833	RK73HB1J101J	MG RESISTOR	100Ω 1/16W J	1	
	R5834	RK73HB1J101J	MG RESISTOR	100Ω 1/16W J	1	
	R5836	RK73HB1J331J	MG RESISTOR	330Ω 1/16W J	1	
	R5837	RK73HB1J101J	MG RESISTOR	100Ω 1/16W J	1	
	R5838	RK73HB1J101J	MG RESISTOR	100Ω 1/16W J	1	
	R5839	RK73HB1J101J	MG RESISTOR	100Ω 1/16W J	1	
	R5840	RK73HB1J101J	MG RESISTOR	100Ω 1/16W J	1	
	R5841	RK73HB1J101J	MG RESISTOR	100Ω 1/16W J	1	
	R5842	RK73HB1J000J	MG RESISTOR	0Ω 1/16W J	1	
	R5843	RK73HB1J101J	MG RESISTOR	100Ω 1/16W J	1	
	R5844	RK73HB1J000J	MG RESISTOR	0Ω 1/16W J	1	
	R5845	RK73HB1J000J	MG RESISTOR	0Ω 1/16W J	1	
	R5846	RK73HB1J000J	MG RESISTOR	0Ω 1/16W J	1	
	R5847	RK73HB1J101J	MG RESISTOR	100Ω 1/16W J	1	
	R5853	RK73HB1J101J	MG RESISTOR	100Ω 1/16W J	1	
	R5855	RK73HB1J101J	MG RESISTOR	100Ω 1/16W J	1	
	R5856	RK73HB1J101J	MG RESISTOR	100Ω 1/16W J	1	
	R5857	RK73HB1J101J	MG RESISTOR	100Ω 1/16W J	1	
	R5858	RK73HB1J101J	MG RESISTOR	100Ω 1/16W J	1	
	R5859	RK73HB1J101J	MG RESISTOR	100Ω 1/16W J	1	
	R5871	RK73GB2A681J	MG RESISTOR	680Ω 1/10W J	1	
	R5887	RK73HB1J000J	MG RESISTOR	0Ω 1/16W J	1	
	R5911	RK73HB1J101J	MG RESISTOR	100Ω 1/16W J	1	
	R5914	RK73HB1J102J	MG RESISTOR	1kΩ 1/16W J	1	
	R5915	RK73HB1J473J	MG RESISTOR	47kΩ 1/16W J	1	
	R5916	RK73FB2B000J	MG RESISTOR	0Ω 1/8W J	1	
	R5918	RK73GB2A200J	MG RESISTOR	20Ω 1/10W J	1	
	R5920	RK73HH1J103D	MG RESISTOR	10kΩ 1/16W D	1	
	R5921	RK73HB1J000J	MG RESISTOR	0Ω 1/16W J	1	
	R5922	RK73HH1J102D	MG RESISTOR	1kΩ 1/16W D	1	
	R5923	RK73HH1J222D	MG RESISTOR	2.2kΩ 1/16W D	1	
	R5924	RK73HH1J393D	MG RESISTOR	39kΩ 1/16W D	1	
	R5925	RK73HH1J123D	MG RESISTOR	12kΩ 1/16W D	1	
	R5926	RK73GB2A331J	MG RESISTOR	330Ω 1/10W J	1	
	R5927	RK73HB1J101J	MG RESISTOR	100Ω 1/16W J	1	
	R5928	RK73GB2A200J	MG RESISTOR	20Ω 1/10W J	1	
	R5930	RK73HH1J273D	MG RESISTOR	27kΩ 1/16W D	1	
	R5931	RK73HB1J000J	MG RESISTOR	0Ω 1/16W J	1	
	R5932	RK73HH1J183D	MG RESISTOR	18kΩ 1/16W D	1	
	R5933	RK73HH1J183D	MG RESISTOR	18kΩ 1/16W D	1	
	R5934	RK73HH1J183D	MG RESISTOR	18kΩ 1/16W D	1	
	R5935	RK73HH1J563D	MG RESISTOR	56kΩ 1/16W D	1	
	R5952	RK73GB2A000J	MG RESISTOR	0Ω 1/10W J	1	
	R5954	RK73HH1J183D	MG RESISTOR	18kΩ 1/16W D	1	
	R5955	RK73HH1J153D	MG RESISTOR	15kΩ 1/16W D	1	
	R5956	RK73HH1J751D	MG RESISTOR	750Ω 1/16W D	1	
	R5962	RK73HB1J223J	MG RESISTOR	22kΩ 1/16W J	1	
	R5964	RK73HB1J102J	MG RESISTOR	1kΩ 1/16W J	1	
	R5967	RK73HB1J221J	MG RESISTOR	220Ω 1/16W J	1	
	R5970	RK73GB2A331J	MG RESISTOR	330Ω 1/10W J	1	
	R5971	RK73GB2A331J	MG RESISTOR	330Ω 1/10W J	1	
	R5987	RK73HB1J101J	MG RESISTOR	100Ω 1/16W J	1	
	R5988	RK73GB2A200J	MG RESISTOR	20Ω 1/10W J	1	
	R5990	RK73HH1J273D	MG RESISTOR	27kΩ 1/16W D	1	
	R5991	RK73HB1J000J	MG RESISTOR	0Ω 1/16W J	1	
	R5992	RK73HH1J912D	MG RESISTOR	9.1kΩ 1/16W D	1	
	R5993	RK73HH1J183D	MG RESISTOR	18kΩ 1/16W D	1	
	R5994	RK73HH1J183D	MG RESISTOR	18kΩ 1/16W D	1	
	R5995	RK73HH1J563D	MG RESISTOR	56kΩ 1/16W D	1	
	R6002	RK73HB1J101J	MG RESISTOR	100Ω 1/16W J	1	
	R6003	RK73HB1J101J	MG RESISTOR	100Ω 1/16W J	1	
	R6004	RK73HB1J101J	MG RESISTOR	100Ω 1/16W J	1	
	R6005	RK73HB1J101J	MG RESISTOR	100Ω 1/16W J	1	
	R6007	RK73HB1J000J	MG RESISTOR	0Ω 1/16W J	1	
	R6009	RK73HB1J101J	MG RESISTOR	100Ω 1/16W J	1	
	R6010	RK73HB1J101J	MG RESISTOR	100Ω 1/16W J	1	
	R6011	RK73HB1J101J	MG RESISTOR	100Ω 1/16W J	1	
	R6012	RK73HB1J101J	MG RESISTOR	100Ω 1/16W J	1	
	R6013	RK73HB1J101J	MG RESISTOR	100Ω 1/16W J	1	
	R6014	RK73HB1J101J	MG RESISTOR	100Ω 1/16W J	1	
	R6015	RK73HB1J101J	MG RESISTOR	100Ω 1/16W J	1	
	R6016	RK73HB1J101J	MG RESISTOR	100Ω 1/16W J	1	
	R6017	RK73HB1J4R7J	MG RESISTOR	4.7Ω 1/16W J	1	
	R6018	RK73HB1J000J	MG RESISTOR	0Ω 1/16W J	1	
	R6019	RK73HB1J4R7J	MG RESISTOR	4.7Ω 1/16W J	1	
	R6020	RK73HB1J4R7J	MG RESISTOR	4.7Ω 1/16W J	1	

MODEL	MARK
DDX8905S	

Safe	Symbol No.	Parts No.	Parts Name	Description	QTY	Local
	R6318	RK73HB1J472J	MG RESISTOR	4.7kΩ 1/16W J	1	
	R6319	RK73HB1J472J	MG RESISTOR	4.7kΩ 1/16W J	1	
	R6321	RK73HB1J472J	MG RESISTOR	4.7kΩ 1/16W J	1	
	R6322	RK73HB1J472J	MG RESISTOR	4.7kΩ 1/16W J	1	
	R6323	RK73HB1J103J	MG RESISTOR	10kΩ 1/16W J	1	
	R6324	RK73HB1J472J	MG RESISTOR	4.7kΩ 1/16W J	1	
	R6327	RK73HB1J223J	MG RESISTOR	22kΩ 1/16W J	1	
	R6329	RK73HB1J101J	MG RESISTOR	100Ω 1/16W J	1	
	R6330	RK73HB1J103J	MG RESISTOR	10kΩ 1/16W J	1	
	R6331	RK73HB1J272J	MG RESISTOR	2.7kΩ 1/16W J	1	
	RA5001	RK74HB1J103J	NET RESISTOR	10kΩ 1/16W J	1	
	RA5201	RK74HB1J473J	NET RESISTOR	47kΩ 1/16W J	1	
	RA5202	RK74HB1J473J	NET RESISTOR	47kΩ 1/16W J	1	
	L631	LB73G0BK-003	CHIP FERRITE		1	
	L5001	LB73G0BK-002	CHIP FERRITE		1	
	L5002	LB73G0BK-002	CHIP FERRITE		1	
	L5004	LB73G0BK-002	CHIP FERRITE		1	
	L5402	LB73G0BK-003	CHIP FERRITE		1	
	L5403	LB73G0BK-003	CHIP FERRITE		1	
	L5405	LB73G0BK-003	CHIP FERRITE		1	
	L5406	LB73G0BK-003	CHIP FERRITE		1	
	L5501	LB73G0BK-003	CHIP FERRITE		1	
	L5704	LB73G0BK-003	CHIP FERRITE		1	
	L5705	LB73G0BK-003	CHIP FERRITE		1	
	L5706	LB73G0BK-003	CHIP FERRITE		1	
	L5901	LR79Z0EW5R1N	CHIP INDUCTOR	5.1uF	1	
	L5902	LR79Z0HX5R1N	CHIP INDUCTOR	5.1uF	1	
	L5903	LR79Z0EW5R1N	CHIP INDUCTOR	5.1uF	1	
	L6025	LR79Z0JP5R1N	CHIP INDUCTOR	5.1uF	1	
	CN527	EC720AT-0516A	FFC FPC CONNE		1	
	CN571	EA720AP-2005A	W TO B CONNE	5P	1	
	CN572	EA720AX-1503A	W TO B CONNE	3P	1	
	CN581	EB760AX-05C0B	B TO B CONNE	120P	1	
	CN601	EC720AB-0570A	FFC FPC CONNE	70P	1	
△	F5901	FZA10BF-R50	FUSE (CC)	0.5A	1	
△	F5902	FZA10BF-R50	FUSE (CC)	0.5A	1	
	VA5730	SDV1005H26//0	VARIATOR		1	
	VA5731	SDV1005H26//0	VARIATOR		1	
	VA5732	SDV1005H26//0	VARIATOR		1	
	VA5733	SDV1005H26//0	VARIATOR		1	
	VA6301	SDV1005H26//0	VARIATOR		1	
	VA6302	SDV1005H26//0	VARIATOR		1	
	VA6303	SDV1005H26//0	VARIATOR		1	
	X5001	NAX1179-001X	CRYSTAL		1	
	X5401	NAX1145-001X	CRYSTAL		1	
	X5701	L7J-0128-00	QUARTZ CRYSTAL		1	
AUDIO PWB ASSY(XJ6-105K-02) <XJ6>						
	IC1	LV5680NPVC-H	MOS IC		1	
	IC41	XC6223B331P-G	ANALOG IC		1	
	IC42	XC6216B852P-G	ANALOG IC		1	
	IC101	JCV8031	IC		1	
	IC115	TC7SH17FUJC	MOS IC		1	
	IC201	TDA7715	ANALOG IC		1	
	IC260	TC74HCT4053FT	MOS IC		1	
	IC261	NJM2794RB2	BIPOLAR IC		1	
	IC301	XC6223B331P-G	ANALOG IC		1	
	IC511	TC7SET32FUJC	MOS IC		1	
	IC512	TC7SH17FUJC	MOS IC		1	
	IC601	NJW1240V	MOS IC		1	
	IC781	BA6956AN	IC		1	
	IC1101	NJM2746V	ANALOG IC		1	
	IC1102	NJM2746V	ANALOG IC		1	
	Q31	LSCR523UBFS8	TRANSISTOR		1	
	Q32	LSAR523UBFS8	TRANSISTOR		1	
	Q51	LTC024EUBFS8	DIGI TRANSISTOR		1	
	Q60	LSAR523UBFS8	TRANSISTOR		1	
	Q61	LSCR523UBFS8	TRANSISTOR		1	
	Q62	LSAR523UBFS8	TRANSISTOR		1	
	Q63	LSCR523UBFS8	TRANSISTOR		1	
	Q80	LTA014YEBFS8	DIGI TRANSISTOR		1	
	Q81	LSAR523UBFS8	TRANSISTOR		1	
	Q82	LSCR523UBFS8	TRANSISTOR		1	
	Q90	LTC024EUBFS8	DIGI TRANSISTOR		1	
	Q96	LSCR523UBFS8	TRANSISTOR		1	
	Q151	LTC014YUBFS8	DIGI TRANSISTOR		1	
	Q152	LTA043ZUBFS8	DIGI TRANSISTOR		1	
	Q155	LTC014YUBFS8	DIGI TRANSISTOR		1	
	Q156	LTA043ZUBFS8	DIGI TRANSISTOR		1	
	Q161	LTC043TUBFS8	DIGI TRANSISTOR		1	
	Q162	LTC043TUBFS8	DIGI TRANSISTOR		1	
	Q163	LTC043TUBFS8	DIGI TRANSISTOR		1	
	Q164	LTC043TUBFS8	DIGI TRANSISTOR		1	
	Q165	LTC043TUBFS8	DIGI TRANSISTOR		1	
	Q191	LTA043ZUBFS8	DIGI TRANSISTOR		1	
	Q193	LTC043TUBFS8	DIGI TRANSISTOR		1	
	Q194	LTC043TUBFS8	DIGI TRANSISTOR		1	
	Q781	LTC014YUBFS8	DIGI TRANSISTOR		1	
	D1	1N5402-BPC07	DIODE		1	
	D11	RB161MM-20	SCHOTTKY DIODE		1	
	D32	UDZV11B	ZENER DIODE		1	
	D41	GS1J-LTP	DIODE		1	
	D42	GS1J-LTP	DIODE		1	

MODEL	MARK
DDX8905S	

Safe	Symbol No.	Parts No.	Parts Name	Description	QTY	Local
	D43	GS1J-LTP	DIODE		1	
	D44	GS1J-LTP	DIODE		1	
	D55	UDZV6.2B	ZENER DIODE		1	
	D60	1SS355VM	DIODE		1	
	D71	DAP202UM	DIODE		1	
	D80	1SS355VM	DIODE		1	
	D90	1SS355VM	DIODE		1	
	D96	UDZV16B	ZENER DIODE		1	
	D101	DAP202UM	DIODE		1	
	D151	DAP202UM	DIODE		1	
	D155	DAP202UM	DIODE		1	
	D191	DAP202UM	DIODE		1	
	D202	1SS355VM	DIODE		1	
	D203	DAP202UM	DIODE		1	
	D204	DAP202UM	DIODE		1	
	D205	DAP202UM	DIODE		1	
	D260	1SS355VM	DIODE		1	
	D261	UDZV4.7B	ZENER DIODE		1	
	D302	GS1J-LTP	DIODE		1	
	C1	CD04EW1C332M2	E CAPACITOR	3300uF 16V 2	1	
	C11	CE32CB1V101M	E CAPACITOR	100uF 35V M	1	
	C12	CK73HBB1H103K	C CAPACITOR	0.01uF 50V K	1	
	C13	CE32CB1C470M	E CAPACITOR	47uF 16V M	1	
	C14	CE32CB1C470M	E CAPACITOR	47uF 16V M	1	
	C15	CE32CB1A101M	E CAPACITOR	100uF 10V M	1	
	C16	CE32CC1C221M	E CAPACITOR	220uF 16V M	1	
	C18	CK73EXR1E106K	C CAPACITOR	10uF 25V K	1	
	C19	CK73EXR1E106K	C CAPACITOR	10uF 25V K	1	
	C20	CE32CC1C221M	E CAPACITOR	220uF 16V M	1	
	C21	CK73GXR1H104K	C CAPACITOR	0.1uF 50V K	1	
	C23	CK73GBB1C105K	C CAPACITOR	1uF 16V K	1	
	C24	CK73GXR1H104K	C CAPACITOR	0.1uF 50V K	1	
	C25	CK73GBB1C224K	C CAPACITOR	0.22uF 16V K	1	
	C26	CK73HBB1C104K	C CAPACITOR	0.1uF 16V K	1	
	C27	CE32CC1C221M	E CAPACITOR	220uF 16V M	1	
	C31	CK73GXR1H104K	C CAPACITOR	0.1uF 50V K	1	
	C32	CK73GBB1H333K	C CAPACITOR	0.033uF 50V K	1	
	C41	CK73GXR1C225K	C CAPACITOR	2.2uF 16V K	1	
	C42	CK73GXR1C225K	C CAPACITOR	2.2uF 16V K	1	
	C43	CK73GXR1C225K	C CAPACITOR	2.2uF 16V K	1	
	C44	CK73GXR1C225K	C CAPACITOR	2.2uF 16V K	1	
	C51	CK73HBB1H103K	C CAPACITOR	0.01uF 50V K	1	
	C52	CK73HXR0J105K	C CAPACITOR	1uF 6.3V K	1	
	C60	CC73HCH1H101J	C CAPACITOR	100pF 50V J	1	
	C71	CK73HXR1H104K	C CAPACITOR	0.1uF 50V K	1	
	C80	CK73GXR1C225K	C CAPACITOR	2.2uF 16V K	1	
	C90	CK73HBB1H103K	C CAPACITOR	0.01uF 50V K	1	
	C96	CK73HBB1H103K	C CAPACITOR	0.01uF 50V K	1	
	C97	CK73HBB1H103K	C CAPACITOR	0.01uF 50V K	1	
	C100	CE32CB1C100M	E CAPACITOR	10uF 16V M	1	
	C101	CK73FBB1E474K	C CAPACITOR	0.47uF 25V K	1	
	C102	CK73FBB1E474K	C CAPACITOR	0.47uF 25V K	1	
	C103	CK73FBB1E474K	C CAPACITOR	0.47uF 25V K	1	
	C104	CK73FBB1E474K	C CAPACITOR	0.47uF 25V K	1	
	C105	CC73GCH1H050C	C CAPACITOR	5pF 50V C	1	
	C106	CC73GCH1H050C	C CAPACITOR	5pF 50V C	1	
	C109	CK73FBB1E474K	C CAPACITOR	0.47uF 25V K	1	
	C110	CK73FBB1E474K	C CAPACITOR	0.47uF 25V K	1	
	C111	CK73FBB1E474K	C CAPACITOR	0.47uF 25V K	1	
	C112	CK73FBB1E474K	C CAPACITOR	0.47uF 25V K	1	
	C113	CK73FBB1E474K	C CAPACITOR	0.47uF 25V K	1	
	C114	CK73FBB1E474K	C CAPACITOR	0.47uF 25V K	1	
	C115	CK73GXR1H104K	C CAPACITOR	0.1uF 50V K	1	
	C121	CK73HBB1H102K	C CAPACITOR	1000pF 50V K	1	
	C122	CK73HBB1H221K	C CAPACITOR	220pF 50V K	1	
	C123	CK73HBB1H102K	C CAPACITOR	1000pF 50V K	1	
	C124	CK73HBB1H102K	C CAPACITOR	1000pF 50V K	1	
	C125	CK73HBB1H102K	C CAPACITOR	1000pF 50V K	1	
	C126	CK73HBB1H102K	C CAPACITOR	1000pF 50V K	1	
	C127	CK73HBB1H102K	C CAPACITOR	1000pF 50V K	1	
	C128	CK73HBB1H102K	C CAPACITOR	1000pF 50V K	1	
	C131	CK73HBB1H221K	C CAPACITOR	220pF 50V K	1	
	C132	CK73HBB1H102K	C CAPACITOR	1000pF 50V K	1	
	C133	CK73HBB1H221K	C CAPACITOR	220pF 50V K	1	
	C134	CK73HBB1H221K	C CAPACITOR	220pF 50V K	1	
	C135	CK73HBB1H221K	C CAPACITOR	220pF 50V K	1	
	C136	CK73HBB1H221K	C CAPACITOR	220pF 50V K	1	
	C137	CK73HBB1H221K	C CAPACITOR	220pF 50V K	1	
	C138	CK73HBB1H221K	C CAPACITOR	220pF 50V K	1	
	C145	CK73HXR0J105K	C CAPACITOR	1uF 6.3V K	1	
	C146	CK73HXR0J105K	C CAPACITOR	1uF 6.3V K	1	
	C151	CE32CB1C100M	E CAPACITOR	10uF 16V M	1	
	C152	CE32CB1C100M	E CAPACITOR	10uF 16V M	1	
	C153	CK73EBB1C106K	C CAPACITOR	10uF 16V K	1	
	C154	CK73EBB1C106K	C CAPACITOR	10uF 16V K	1	
	C155	CK73EBB1C106K	C CAPACITOR	10uF 16V K	1	
	C171	CK73HBB1H102K	C CAPACITOR	1000pF 50V K	1	
	C172	CK73HBB1H102K	C CAPACITOR	1000pF 50V K	1	
	C173	CK73HBB1H102K	C CAPACITOR	1000pF 50V K	1	
	C174	CK73HBB1H102K	C CAPACITOR	1000pF 50V K	1	
	C175	CK73HBB1H102K	C CAPACITOR	1000pF 50V K	1	
	C177	CK73HBB1H102K	C CAPACITOR	1000pF 50V K	1	
	C191	CK73EBB1C106K	C CAPACITOR	10uF 16V K	1	

MODEL	MARK
DDX8905S	

Safe	Symbol No.	Parts No.	Parts Name	Description	QTY	Local
	C192	CK73EBB1C106K	C CAPACITOR	10uF 16V K	1	
	C195	CK73HBB1H102K	C CAPACITOR	1000pF 50V K	1	
	C196	CK73HBB1H102K	C CAPACITOR	1000pF 50V K	1	
	C197	CK73HBB1H102K	C CAPACITOR	1000pF 50V K	1	
	C201	CE32CB1C470M	E CAPACITOR	47uF 16V M	1	
	C202	CK73HBB1H103K	C CAPACITOR	0.01uF 50V K	1	
	C203	CK73HBB1H103K	C CAPACITOR	0.01uF 50V K	1	
	C205	CK73HXR0J105K	C CAPACITOR	1uF 6.3V K	1	
	C206	CK73GBB1C105K	C CAPACITOR	1uF 16V K	1	
	C207	CK73GXR1C474K	C CAPACITOR	0.47uF 16V K	1	
	C208	CK73GBB1C105K	C CAPACITOR	1uF 16V K	1	
	C209	CK73GXR1C474K	C CAPACITOR	0.47uF 16V K	1	
	C211	CK73GBB1C105K	C CAPACITOR	1uF 16V K	1	
	C212	CK73GBB1C105K	C CAPACITOR	1uF 16V K	1	
	C215	CK73GBB1C105K	C CAPACITOR	1uF 16V K	1	
	C216	CK73GBB1C105K	C CAPACITOR	1uF 16V K	1	
	C217	CK73GBB1C105K	C CAPACITOR	1uF 16V K	1	
	C218	CK73GBB1C105K	C CAPACITOR	1uF 16V K	1	
	C219	CK73GBB1C105K	C CAPACITOR	1uF 16V K	1	
	C220	CK73GBB1C105K	C CAPACITOR	1uF 16V K	1	
	C223	CK73GBB1C105K	C CAPACITOR	1uF 16V K	1	
	C224	CK73GBB1C105K	C CAPACITOR	1uF 16V K	1	
	C225	CK73FXR1C106K	C CAPACITOR	10uF 16V K	1	
	C227	CK73GBB1C105K	C CAPACITOR	1uF 16V K	1	
	C228	CK73GBB1C105K	C CAPACITOR	1uF 16V K	1	
	C229	CK73FXR1C106K	C CAPACITOR	10uF 16V K	1	
	C234	CK73HBB1H103K	C CAPACITOR	0.01uF 50V K	1	
	C235	CK73HBB1H103K	C CAPACITOR	0.01uF 50V K	1	
	C264	CK73HBB1H102K	C CAPACITOR	1000pF 50V K	1	
	C265	CK73HBB1H102K	C CAPACITOR	1000pF 50V K	1	
	C266	CK73HBB1H102K	C CAPACITOR	1000pF 50V K	1	
	C267	CK73FXR1C106K	C CAPACITOR	10uF 16V K	1	
	C268	CK73GXR1H104K	C CAPACITOR	0.1uF 50V K	1	
	C272	CK73GXR1C225K	C CAPACITOR	2.2uF 16V K	1	
	C273	CK73GXR1C225K	C CAPACITOR	2.2uF 16V K	1	
	C274	CK73GXR1C225K	C CAPACITOR	2.2uF 16V K	1	
	C275	CK73GBB1C105K	C CAPACITOR	1uF 16V K	1	
	C276	CK73GBB1C105K	C CAPACITOR	1uF 16V K	1	
	C277	CK73GBB1C105K	C CAPACITOR	1uF 16V K	1	
	C278	CK73GBB1C105K	C CAPACITOR	1uF 16V K	1	
	C279	CK73HBB1H103K	C CAPACITOR	0.01uF 50V K	1	
	C280	CK73EXR1E106K	C CAPACITOR	10uF 25V K	1	
	C281	CK73EXR1E106K	C CAPACITOR	10uF 25V K	1	
	C282	CK73EXR1E106K	C CAPACITOR	10uF 25V K	1	
	C283	CK73HBB1H102K	C CAPACITOR	1000pF 50V K	1	
	C284	CK73HBB1H102K	C CAPACITOR	1000pF 50V K	1	
	C285	CK73HBB1H102K	C CAPACITOR	1000pF 50V K	1	
	C286	CK73EXR1E106K	C CAPACITOR	10uF 25V K	1	
	C302	CK73GXR1C225K	C CAPACITOR	2.2uF 16V K	1	
	C303	CK73GXR1H104K	C CAPACITOR	0.1uF 50V K	1	
	C304	CK73HBB1H102K	C CAPACITOR	1000pF 50V K	1	
	C305	CK73HBB1C104K	C CAPACITOR	0.1uF 16V K	1	
	C306	CK73FXR1C106K	C CAPACITOR	10uF 16V K	1	
	C308	CK73HBB1C104K	C CAPACITOR	0.1uF 16V K	1	
	C309	CK73HBB1H103K	C CAPACITOR	0.01uF 50V K	1	
	C321	CK73HBB1C104K	C CAPACITOR	0.1uF 16V K	1	
	C322	CK73HBB1H103K	C CAPACITOR	0.01uF 50V K	1	
	C501	CK73GXR1C225K	C CAPACITOR	2.2uF 16V K	1	
	C502	CK73GXR1C225K	C CAPACITOR	2.2uF 16V K	1	
	C503	CK73GXR1C225K	C CAPACITOR	2.2uF 16V K	1	
	C511	CK73GXR1H104K	C CAPACITOR	0.1uF 50V K	1	
	C512	CK73GXR1H104K	C CAPACITOR	0.1uF 50V K	1	
	C601	CE32CB1C100M	E CAPACITOR	10uF 16V M	1	
	C602	CE32CB1C100M	E CAPACITOR	10uF 16V M	1	
	C603	CK73EBB1C106K	C CAPACITOR	10uF 16V K	1	
	C604	CK73EBB1C106K	C CAPACITOR	10uF 16V K	1	
	C605	CK73EBB1C106K	C CAPACITOR	10uF 16V K	1	
	C610	CK73EBB1C106K	C CAPACITOR	10uF 16V K	1	
	C611	CK73HBB1H103K	C CAPACITOR	0.01uF 50V K	1	
	C612	CK73GBB1C105K	C CAPACITOR	1uF 16V K	1	
	C613	CK73GBB1C105K	C CAPACITOR	1uF 16V K	1	
	C614	CK73GBB1C105K	C CAPACITOR	1uF 16V K	1	
	C616	CK73GBB1C105K	C CAPACITOR	1uF 16V K	1	
	C618	CK73GBB1C105K	C CAPACITOR	1uF 16V K	1	
	C619	CK73GBB1H102K	C CAPACITOR	1000pF 50V K	1	
	C715	CK73GXR0J475K	C CAPACITOR	4.7uF 6.3V K	1	
	C716	CK73GXR0J475K	C CAPACITOR	4.7uF 6.3V K	1	
	C721	CK73GXR0J475K	C CAPACITOR	4.7uF 6.3V K	1	
	C722	CK73GXR0J475K	C CAPACITOR	4.7uF 6.3V K	1	
	C781	CE32CB1V101M	E CAPACITOR	100uF 35V M	1	
	C1204	CB73QAD1C106M	FILM CAPACITOR	10uF 16V M	1	
	C1711	CB73QAD1C106M	FILM CAPACITOR	10uF 16V M	1	
	C1712	CB73QAD1C106M	FILM CAPACITOR	10uF 16V M	1	
	C1713	CB73QAD1C106M	FILM CAPACITOR	10uF 16V M	1	
	C1714	CB73QAD1C106M	FILM CAPACITOR	10uF 16V M	1	
	R1	RK73HB1J000J	MG RESISTOR	0Ω 1/16W J	1	
	R15	RK73GH2A273D	MG RESISTOR	27kΩ 1/10W D	1	
	R17	RK73GH2A472D	MG RESISTOR	4.7kΩ 1/10W D	1	
	R18	RK73HB1J101J	MG RESISTOR	100Ω 1/16W J	1	
	R19	RK73HB1J101J	MG RESISTOR	100Ω 1/16W J	1	
	R23	RK73FB2B000J	MG RESISTOR	0Ω 1/8W J	1	
	R24	RK73FB2B000J	MG RESISTOR	0Ω 1/8W J	1	

MODEL	MARK
DDX8905S	

Safe	Symbol No.	Parts No.	Parts Name	Description	QTY	Local
R25		RK73FB2B000J	MG RESISTOR	0Ω 1/8W J	1	
R27		RK73FB2B000J	MG RESISTOR	0Ω 1/8W J	1	
R31		RK73EB2E622J	MG RESISTOR	6.2kΩ 1/4W J	1	
R32		RK73EB2E622J	MG RESISTOR	6.2kΩ 1/4W J	1	
R33		RK73HH1J753D	MG RESISTOR	75kΩ 1/16W D	1	
R34		RK73HH1J104D	MG RESISTOR	100kΩ 1/16W D	1	
R35		RK73HH1J474D	MG RESISTOR	470kΩ 1/16W D	1	
R36		RK73HB1J224J	MG RESISTOR	220kΩ 1/16W J	1	
R37		RK73EB2E153J	MG RESISTOR	15kΩ 1/4W J	1	
R38		RK73GB2A101J	MG RESISTOR	100Ω 1/10W J	1	
R41		RK73FB2B472J	MG RESISTOR	4.7kΩ 1/8W J	1	
R42		RK73FB2B472J	MG RESISTOR	4.7kΩ 1/8W J	1	
R51		RK73HB1J102J	MG RESISTOR	1kΩ 1/16W J	1	
R52		RK73GB2A202J	MG RESISTOR	2kΩ 1/10W J	1	
R55		RK73GB2A152J	MG RESISTOR	1.5kΩ 1/10W J	1	
R60		RK73HB1J182J	MG RESISTOR	1.8kΩ 1/16W J	1	
R61		RK73GB2A111J	MG RESISTOR	110Ω 1/10W J	1	
R62		RK73HB1J103J	MG RESISTOR	10kΩ 1/16W J	1	
R63		RK73HB1J243J	MG RESISTOR	24kΩ 1/16W J	1	
R64		RK73HB1J472J	MG RESISTOR	4.7kΩ 1/16W J	1	
R65		RK73HB1J472J	MG RESISTOR	4.7kΩ 1/16W J	1	
R66		RK73HB1J103J	MG RESISTOR	10kΩ 1/16W J	1	
R67		RK73HB1J473J	MG RESISTOR	47kΩ 1/16W J	1	
R68		RK73HB1J223J	MG RESISTOR	22kΩ 1/16W J	1	
R69		RK73HB1J472J	MG RESISTOR	4.7kΩ 1/16W J	1	
R70		RK73HB1J473J	MG RESISTOR	47kΩ 1/16W J	1	
R72		RK73HB1J123J	MG RESISTOR	12kΩ 1/16W J	1	
R73		RK73HB1J683J	MG RESISTOR	68kΩ 1/16W J	1	
R74		RK73HB1J103J	MG RESISTOR	10kΩ 1/16W J	1	
R80		RK73HB1J471J	MG RESISTOR	470Ω 1/16W J	1	
R81		RK73HB1J473J	MG RESISTOR	47kΩ 1/16W J	1	
R82		RK73FB2B103J	MG RESISTOR	10kΩ 1/8W J	1	
R83		RK73HB1J223J	MG RESISTOR	22kΩ 1/16W J	1	
R84		RK73HB1J473J	MG RESISTOR	47kΩ 1/16W J	1	
R90		RK73GB2A272J	MG RESISTOR	2.7kΩ 1/10W J	1	
R91		RK73HB1J102J	MG RESISTOR	1kΩ 1/16W J	1	
R96		RK73FB2B752J	MG RESISTOR	7.5kΩ 1/8W J	1	
R97		RK73HB1J753J	MG RESISTOR	75kΩ 1/16W J	1	
R98		RK73HB1J223J	MG RESISTOR	22kΩ 1/16W J	1	
R101		RK73HH1J680D	MG RESISTOR	68Ω 1/16W D	1	
R102		RK73HH1J680D	MG RESISTOR	68Ω 1/16W D	1	
R103		RK73HH1J680D	MG RESISTOR	68Ω 1/16W D	1	
R104		RK73HH1J680D	MG RESISTOR	68Ω 1/16W D	1	
R115		RK73HB1J101J	MG RESISTOR	100Ω 1/16W J	1	
R141		RK73GB2A562J	MG RESISTOR	5.6kΩ 1/10W J	1	
R142		RK73HB1J331J	MG RESISTOR	330Ω 1/16W J	1	
R143		RK73HB1J223J	MG RESISTOR	22kΩ 1/16W J	1	
R144		RK73HB1J432J	MG RESISTOR	4.3kΩ 1/16W J	1	
R145		RK73HB1J333J	MG RESISTOR	33kΩ 1/16W J	1	
R146		RK73HB1J1R0J	MG RESISTOR	1Ω 1/16W J	1	
R147		RK73GB2A000J	MG RESISTOR	0Ω 1/10W J	1	
R148		RK73GB2A000J	MG RESISTOR	0Ω 1/10W J	1	
R151		RK73HB1J471J	MG RESISTOR	470Ω 1/16W J	1	
R152		RK73HB1J471J	MG RESISTOR	470Ω 1/16W J	1	
R153		RK73HB1J471J	MG RESISTOR	470Ω 1/16W J	1	
R154		RK73HB1J471J	MG RESISTOR	470Ω 1/16W J	1	
R155		RK73HB1J471J	MG RESISTOR	470Ω 1/16W J	1	
R156		RK73HB1J473J	MG RESISTOR	47kΩ 1/16W J	1	
R157		RK73HB1J000J	MG RESISTOR	0Ω 1/16W J	1	
R159		RK73HB1J473J	MG RESISTOR	47kΩ 1/16W J	1	
R160		RK73HB1J473J	MG RESISTOR	47kΩ 1/16W J	1	
R161		RK73HB1J223J	MG RESISTOR	22kΩ 1/16W J	1	
R162		RK73HB1J223J	MG RESISTOR	22kΩ 1/16W J	1	
R163		RK73HB1J223J	MG RESISTOR	22kΩ 1/16W J	1	
R164		RK73HB1J223J	MG RESISTOR	22kΩ 1/16W J	1	
R165		RK73HB1J223J	MG RESISTOR	22kΩ 1/16W J	1	
R171		RK73GB2A101J	MG RESISTOR	100Ω 1/10W J	1	
R172		RK73GB2A101J	MG RESISTOR	100Ω 1/10W J	1	
R173		RK73GB2A101J	MG RESISTOR	100Ω 1/10W J	1	
R174		RK73GB2A101J	MG RESISTOR	100Ω 1/10W J	1	
R175		RK73GB2A101J	MG RESISTOR	100Ω 1/10W J	1	
R191		RK73HB1J471J	MG RESISTOR	470Ω 1/16W J	1	
R192		RK73HB1J471J	MG RESISTOR	470Ω 1/16W J	1	
R193		RK73HB1J223J	MG RESISTOR	22kΩ 1/16W J	1	
R194		RK73HB1J223J	MG RESISTOR	22kΩ 1/16W J	1	
R195		RK73GB2A101J	MG RESISTOR	100Ω 1/10W J	1	
R196		RK73GB2A101J	MG RESISTOR	100Ω 1/10W J	1	
R201		RK73GB2A2R2J	MG RESISTOR	2.2Ω 1/10W J	1	
R202		RK73HB1J102J	MG RESISTOR	1kΩ 1/16W J	1	
R204		RK73HB1J103J	MG RESISTOR	10kΩ 1/16W J	1	
R205		RK73HB1J101J	MG RESISTOR	100Ω 1/16W J	1	
R206		RK73HB1J101J	MG RESISTOR	100Ω 1/16W J	1	
R209		RK73HB1J101J	MG RESISTOR	100Ω 1/16W J	1	
R264		RK73HB1J473J	MG RESISTOR	47kΩ 1/16W J	1	
R265		RK73HB1J473J	MG RESISTOR	47kΩ 1/16W J	1	
R266		RK73HB1J473J	MG RESISTOR	47kΩ 1/16W J	1	
R274		RK73HB1J473J	MG RESISTOR	47kΩ 1/16W J	1	
R275		RK73HB1J473J	MG RESISTOR	47kΩ 1/16W J	1	
R276		RK73HB1J473J	MG RESISTOR	47kΩ 1/16W J	1	
R279		RK73HB1J473J	MG RESISTOR	47kΩ 1/16W J	1	
R280		RK73HB1J473J	MG RESISTOR	47kΩ 1/16W J	1	
R281		RK73HB1J473J	MG RESISTOR	47kΩ 1/16W J	1	

MODEL	MARK
DDX8905S	

Safe	Symbol No.	Parts No.	Parts Name	Description	QTY	Local
	R283	RK73HB1J473J	MG RESISTOR	47kΩ 1/16W J	1	
	R284	RK73HB1J473J	MG RESISTOR	47kΩ 1/16W J	1	
	R285	RK73HB1J473J	MG RESISTOR	47kΩ 1/16W J	1	
	R290	RK73HB1J102J	MG RESISTOR	1kΩ 1/16W J	1	
	R291	RK73HB1J222J	MG RESISTOR	2.2kΩ 1/16W J	1	
	R293	RK73GB2A2R2J	MG RESISTOR	2.2Ω 1/10W J	1	
	R294	RK73HB1J473J	MG RESISTOR	47kΩ 1/16W J	1	
	R301	RK73HB1J473J	MG RESISTOR	47kΩ 1/16W J	1	
	R331	RK73GB2A000J	MG RESISTOR	0Ω 1/10W J	1	
	R332	RK73GB2A000J	MG RESISTOR	0Ω 1/10W J	1	
	R333	RK73GB2A000J	MG RESISTOR	0Ω 1/10W J	1	
	R334	RK73GB2A000J	MG RESISTOR	0Ω 1/10W J	1	
	R500	RK73EB2E000J	MG RESISTOR	0Ω 1/4W J	1	
	R501	RK73GB2A100J	MG RESISTOR	10Ω 1/10W J	1	
	R502	RK73GB2A100J	MG RESISTOR	10Ω 1/10W J	1	
	R503	RK73GB2A100J	MG RESISTOR	10Ω 1/10W J	1	
	R511	RK73GB2A101J	MG RESISTOR	100Ω 1/10W J	1	
	R512	RK73GB2A101J	MG RESISTOR	100Ω 1/10W J	1	
	R513	RK73GB2A101J	MG RESISTOR	100Ω 1/10W J	1	
	R514	RK73GB2A2R2J	MG RESISTOR	2.2Ω 1/10W J	1	
	R515	RK73HB1J272J	MG RESISTOR	2.7kΩ 1/16W J	1	
	R516	RK73HB1J473J	MG RESISTOR	47kΩ 1/16W J	1	
	R517	RK73HB1J272J	MG RESISTOR	2.7kΩ 1/16W J	1	
	R581	RK73HB1J100J	MG RESISTOR	10Ω 1/16W J	1	
	R582	RK73HB1J100J	MG RESISTOR	10Ω 1/16W J	1	
	R583	RK73HB1J100J	MG RESISTOR	10Ω 1/16W J	1	
	R611	RK73GB2A2R2J	MG RESISTOR	2.2Ω 1/10W J	1	
	R612	RK73HB1J103J	MG RESISTOR	10kΩ 1/16W J	1	
	R614	RK73HB1J102J	MG RESISTOR	1kΩ 1/16W J	1	
	R615	RK73HB1J100J	MG RESISTOR	10Ω 1/16W J	1	
	R616	RK73HB1J684J	MG RESISTOR	680kΩ 1/16W J	1	
	R781	RK73GB2A102J	MG RESISTOR	1kΩ 1/10W J	1	
	R782	RK73HB1J222J	MG RESISTOR	2.2kΩ 1/16W J	1	
	R783	RK73FB2B000J	MG RESISTOR	0Ω 1/8W J	1	
	R785	RK73HB1J102J	MG RESISTOR	1kΩ 1/16W J	1	
	R786	RK73HB1J432J	MG RESISTOR	4.3kΩ 1/16W J	1	
	R787	RK73HB1J105J	MG RESISTOR	1MΩ 1/16W J	1	
	R788	RK73HB1J000J	MG RESISTOR	0Ω 1/16W J	1	
	R789	RK73HB1J000J	MG RESISTOR	0Ω 1/16W J	1	
	R824	RK73HB1J000J	MG RESISTOR	0Ω 1/16W J	1	
	R825	RK73HB1J000J	MG RESISTOR	0Ω 1/16W J	1	
	R967	RK73GB2A000J	MG RESISTOR	0Ω 1/10W J	1	
	R968	RK73GB2A000J	MG RESISTOR	0Ω 1/10W J	1	
	R1101	RK73GH2A680D	MG RESISTOR	68Ω 1/10W D	1	
	R1102	RK73GH2A680D	MG RESISTOR	68Ω 1/10W D	1	
	R1103	RK73GH2A680D	MG RESISTOR	68Ω 1/10W D	1	
	R1104	RK73GH2A680D	MG RESISTOR	68Ω 1/10W D	1	
	R1146	RK73HH1J160D	MG RESISTOR	16Ω 1/16W D	1	
	L1	QQR1909-001	CHOKO COIL		1	
	L301	LR73Z0AD4R7M	CHIP INDUCTOR	4.7uH	1	
	L601	LK73G0AQ1R0K	M.CHIP INDUCTOR	1uH	1	
	CN201	EC720AA-0560A	FFC FPC CONNE	60P	1	
	CN301	EC720AA-0550A	FFC FPC CONNE	50P	1	
	CN302	QGA2001C1-04	W TO B CONNE	W-B (1-4)	1	
	CN781	QGA1201F2-05X	W TO B CONNE	W-B (1-5)	1	
△	F6	F53-0513-08	PATTERN FUSE	4A	1	
△	F7	F53-0513-08	PATTERN FUSE	4A	1	
△	F171	F53-0513-08	PATTERN FUSE	4A	1	
△	F191	F53-0513-08	PATTERN FUSE	4A	1	
△	F581	F53-0513-08	PATTERN FUSE	4A	1	
	J1	E5J-0022-00	R.RECEPTACLE	24P	1	
	J151	QNN0888-001	PIN JACK		1	
	J191	QNS0307-001	3.5 JACK		1	
	J501	QNZ0907-001	CIR CONNECTOR		1	
	J581	QNS0307-001	3.5 JACK		1	
	TH101	PRF18BE471QS5	P THERMISTOR		1	
	VA52	SDV1005E18//2	VARIATOR		1	
	VA60	SDV1005E18//2	VARIATOR		1	
	VA62	SDV1005E18//2	VARIATOR		1	
	VA72	SDV1005E18//2	VARIATOR		1	
	VA74	SDV1005E18//2	VARIATOR		1	
	VA75	SDV1005E18//2	VARIATOR		1	
	VA96	SDV1005E18//2	VARIATOR		1	
	VA171	SDV1005A14//0	VARIATOR		1	
	VA172	SDV1005A14//0	VARIATOR		1	
	VA173	SDV1005A14//0	VARIATOR		1	
	VA174	SDV1005A14//0	VARIATOR		1	
	VA175	SDV1005A14//0	VARIATOR		1	
	VA177	SDV1005A14//0	VARIATOR		1	
	VA195	SDV1005A14//0	VARIATOR		1	
	VA196	SDV1005A14//0	VARIATOR		1	
	VA197	SDV1005A14//0	VARIATOR		1	
	VA301	F0K-0010-00	SURGE ABSORBER		1	
	VA501	SDV1005A14//0	VARIATOR		1	
	VA502	SDV1005A14//0	VARIATOR		1	
	VA503	SDV1005A14//0	VARIATOR		1	
	VA511	SDV1005E18//2	VARIATOR		1	
	VA512	SDV1005E18//2	VARIATOR		1	
	VA513	SDV1005E18//2	VARIATOR		1	
	VA581	SDV1005A14//0	VARIATOR		1	
	VA582	SDV1005A14//0	VARIATOR		1	
	VA583	SDV1005A14//0	VARIATOR		1	
	W301	QAM1484-001	CAR CABLE		1	

MODEL	MARK
DDX8905S	

Safe	Symbol No.	Parts No.	Parts Name	Description	QTY	Local
VIDEO PWB ASSY(XJ8-023K-05) <XJ8>						
	IC100	W3F-0375-00	MCU IC		1	
	IC102	BU4228F	ANALOG IC		1	
	IC103	XC6223B331P-G	ANALOG IC		1	
	IC105	74AHC1G32GW	MOS IC		1	
	IC106	TC7SH17FUUF	MOS IC		1	
	IC200	LM3481MMXNOPB	ANALOG IC		1	
	IC201	TC7SH17FUUF	MOS IC		1	
	IC202	XC6213B332N-G	MOS IC		1	
	IC300	NJM2831F92	BIPOLAR IC		1	
	IC401	TC7WH125FKJC	MOS IC		1	
	IC402	TC7SH00FUJC	MOS IC		1	
	IC502	-----	MOS IC	NO SERVICE PART	1	
	IC503	XC6223B331P-G	ANALOG IC		1	
	Q100	LTC014YEBFS8	DIGI TRANSISTOR		1	
	Q101	LTC014YEBFS8	DIGI TRANSISTOR		1	
	Q200	LTA043ZEBFS8	DIGI TRANSISTOR		1	
	Q201	LSAR523UBFS8	TRANSISTOR		1	
	Q202	RTQ035N03	FET		1	
	Q203	LSAR523UBFS8	TRANSISTOR		1	
	Q204	LSCR523UBFS8	TRANSISTOR		1	
	Q205	LSCR523UBFS8	TRANSISTOR		1	
	Q206	LSCR523UBFS8	TRANSISTOR		1	
	Q207	LSAR523UBFS8	TRANSISTOR		1	
	Q208	LSCR523UBFS8	TRANSISTOR		1	
	Q209	LSCR523UBFS8	TRANSISTOR		1	
	Q210	LSCR523UBFS8	TRANSISTOR		1	
	Q211	LSCR523UBFS8	TRANSISTOR		1	
	Q212	LSCR523UBFS8	TRANSISTOR		1	
	Q213	LTC043ZEBFS8	DIGI TRANSISTOR		1	
	Q214	LTC043ZEBFS8	DIGI TRANSISTOR		1	
	Q300	LSCR523UBFS8	TRANSISTOR		1	
	Q301	LSCR523UBFS8	TRANSISTOR		1	
	Q302	LSAR523UBFS8	TRANSISTOR		1	
	Q303	LTA014YEBFS8	DIGI TRANSISTOR		1	
	Q304	LTA014EEBFS8	DIGI TRANSISTOR		1	
	Q305	LTC014YEBFS8	DIGI TRANSISTOR		1	
	Q306	LTC014YEBFS8	DIGI TRANSISTOR		1	
	Q307	LSAR523UBFS8	TRANSISTOR		1	
	Q308	LSCR523UBFS8	TRANSISTOR		1	
	Q309	LSCR523UBFS8	TRANSISTOR		1	
	Q310	LTA014YEBFS8	DIGI TRANSISTOR		1	
	Q311	LTC014YEBFS8	DIGI TRANSISTOR		1	
	Q312	LSCR523UBFS8	TRANSISTOR		1	
	Q313	LSCR523UBFS8	TRANSISTOR		1	
	Q400	LSCR523UBFS8	TRANSISTOR		1	
	Q401	LSAR523UBFS8	TRANSISTOR		1	
	Q402	LTC014YEBFS8	DIGI TRANSISTOR		1	
	Q403	LTC014YEBFS8	DIGI TRANSISTOR		1	
	Q404	LTC014YEBFS8	DIGI TRANSISTOR		1	
	Q405	LTC014YEBFS8	DIGI TRANSISTOR		1	
	Q600	LSCR523UBFS8	TRANSISTOR		1	
	Q601	LSCR523UBFS8	TRANSISTOR		1	
	Q602	LSCR523UBFS8	TRANSISTOR		1	
	D100	RB521S-30	SCHOTTKY DIODE		1	
	D200	SJPB-L4	SCHOTTKY DIODE		1	
	D201	DA2J101	DIODE		1	
	D202	DA2J101	DIODE		1	
	D705	MC2850-1	DIODE ARRAY		1	
	C100	CC73HCH1H221J	C CAPACITOR	220pF 50V J	1	
	C101	CC73HCH1H101J	C CAPACITOR	100pF 50V J	1	
	C102	CC73HCH1H101J	C CAPACITOR	100pF 50V J	1	
	C103	CC73HCH1H101J	C CAPACITOR	100pF 50V J	1	
	C104	CC73HCH1H101J	C CAPACITOR	100pF 50V J	1	
	C105	CC73HCH1H221J	C CAPACITOR	220pF 50V J	1	
	C106	CK73HBB1C473K	C CAPACITOR	0.047uF 16V K	1	
	C107	CK73HBB1A104K	C CAPACITOR	0.1uF 10V K	1	
	C108	CK73HBB1A104K	C CAPACITOR	0.1uF 10V K	1	
	C109	CK73HBB1A104K	C CAPACITOR	0.1uF 10V K	1	
	C111	CK73HXR0J105K	C CAPACITOR	1uF 6.3V K	1	
	C112	CK73HXR0J105K	C CAPACITOR	1uF 6.3V K	1	
	C113	CK73GBB0J105K	C CAPACITOR	1uF 6.3V K	1	
	C114	CK73EBB1A106K	C CAPACITOR	10uF 10V K	1	
	C115	CK73GBB0J105K	C CAPACITOR	1uF 6.3V K	1	
	C116	CK73HBB1A104K	C CAPACITOR	0.1uF 10V K	1	
	C117	CK73HBB1A104K	C CAPACITOR	0.1uF 10V K	1	
	C119	CK73HBB1H472K	C CAPACITOR	4700pF 50V K	1	
	C120	CK73HBB1H102K	C CAPACITOR	1000pF 50V K	1	
	C121	CK73HXR1A105K	C CAPACITOR	1uF 10V K	1	
	C123	RK73HB1J473J	MG RESISTOR	47kΩ 1/16W J	1	
	C124	RK73HB1J473J	MG RESISTOR	47kΩ 1/16W J	1	
	C125	RK73HB1J473J	MG RESISTOR	47kΩ 1/16W J	1	
	C126	RK73HB1J473J	MG RESISTOR	47kΩ 1/16W J	1	
	C127	CK73GXR0J475K	C CAPACITOR	4.7uF 6.3V K	1	
	C200	CK73HXR0J105K	C CAPACITOR	1uF 6.3V K	1	
	C203	CK73GXR1H104K	C CAPACITOR	0.1uF 50V K	1	
	C204	CK730BG1E106K	C CAPACITOR	10uF 25V K	1	
	C205	CK730CW1E103K	C CAPACITOR	0.01uF 25V K	1	
	C206	CK73GXR1H104K	C CAPACITOR	0.1uF 50V K	1	
	C207	CK730BG1E106K	C CAPACITOR	10uF 25V K	1	
	C208	CK730BG1E106K	C CAPACITOR	10uF 25V K	1	
	C209	CK730CW1A104K	C CAPACITOR	0.1uF 10V K	1	

MODEL	MARK
DDX8905S	

Safe	Symbol No.	Parts No.	Parts Name	Description	QTY	Local
C210		CK73HXR0J105K	C CAPACITOR	1uF 6.3V K	1	
C211		CC73GCH1H391J	C CAPACITOR	390pF 50V J	1	
C212		CK730AV0J105K	C CAPACITOR	1uF 6.3V K	1	
C213		CK730BG1E106K	C CAPACITOR	10uF 25V K	1	
C214		CK730CW1A104K	C CAPACITOR	0.1uF 10V K	1	
C215		CK73GXR1H104K	C CAPACITOR	0.1uF 50V K	1	
C216		CK730AV0J105K	C CAPACITOR	1uF 6.3V K	1	
C217		CK73FXR0J226M	C CAPACITOR	22uF 6.3V M	1	
C218		CK730CW1E103K	C CAPACITOR	0.01uF 25V K	1	
C219		CK730BG1E106K	C CAPACITOR	10uF 25V K	1	
C220		CK730BG1E106K	C CAPACITOR	10uF 25V K	1	
C221		CK730AV0J105K	C CAPACITOR	1uF 6.3V K	1	
C300		CK73GXR1E105K	C CAPACITOR	1uF 25V K	1	
C301		CK73FXR1C106K	C CAPACITOR	10uF 16V K	1	
C302		CK730BF1E475K	C CAPACITOR	4.7uF 25V K	1	
C303		CK73GXR1H104K	C CAPACITOR	0.1uF 50V K	1	
C304		CK73GXR1H104K	C CAPACITOR	0.1uF 50V K	1	
C305		CK730BG1E106K	C CAPACITOR	10uF 25V K	1	
C306		CK73FXR1E225K	C CAPACITOR	2.2uF 25V K	1	
C307		CK73FXR1C106K	C CAPACITOR	10uF 16V K	1	
C308		CK73GXR1E105K	C CAPACITOR	1uF 25V K	1	
C402		CK730CW1A104K	C CAPACITOR	0.1uF 10V K	1	
C403		CK730CW1A104K	C CAPACITOR	0.1uF 10V K	1	
C404		CK730CW1A104K	C CAPACITOR	0.1uF 10V K	1	
C408		CK73HBB1C104K	C CAPACITOR	0.1uF 16V K	1	
C409		CK73HXR0J105K	C CAPACITOR	1uF 6.3V K	1	
C410		CK730BF1E475K	C CAPACITOR	4.7uF 25V K	1	
C411		CK73GXR1H104K	C CAPACITOR	0.1uF 50V K	1	
C412		CK73HBB1E103K	C CAPACITOR	0.01uF 25V K	1	
C413		CK730BF1E475K	C CAPACITOR	4.7uF 25V K	1	
C414		CK73HBB1A104K	C CAPACITOR	0.1uF 10V K	1	
C415		CK73HBB1E103K	C CAPACITOR	0.01uF 25V K	1	
C416		CK73GXR0J106M	C CAPACITOR	10uF 6.3V M	1	
C417		CK73HBB1A104K	C CAPACITOR	0.1uF 10V K	1	
C418		CK73HBB1E103K	C CAPACITOR	0.01uF 25V K	1	
C419		CK73FXR1C106K	C CAPACITOR	10uF 16V K	1	
C420		CK73FXR1C106K	C CAPACITOR	10uF 16V K	1	
C421		CK73GXR1H104K	C CAPACITOR	0.1uF 50V K	1	
C422		CK73HBB1E103K	C CAPACITOR	0.01uF 25V K	1	
C423		CK73HBB1A104K	C CAPACITOR	0.1uF 10V K	1	
C424		CK73HBB1A104K	C CAPACITOR	0.1uF 10V K	1	
C425		CK73HBB1A104K	C CAPACITOR	0.1uF 10V K	1	
C426		CK73HBB1A104K	C CAPACITOR	0.1uF 10V K	1	
C427		CK73HBB1A104K	C CAPACITOR	0.1uF 10V K	1	
C428		CK73HBB1A104K	C CAPACITOR	0.1uF 10V K	1	
C429		CK73HBB1A104K	C CAPACITOR	0.1uF 10V K	1	
C430		CK73HBB1A104K	C CAPACITOR	0.1uF 10V K	1	
C431		CK73GXR1H104K	C CAPACITOR	0.1uF 50V K	1	
C432		CK73GXR1H104K	C CAPACITOR	0.1uF 50V K	1	
C509		CK73GBB0J105K	C CAPACITOR	1uF 6.3V K	1	
C510		CK73GBB0J105K	C CAPACITOR	1uF 6.3V K	1	
C511		CK73HBB1C103K	C CAPACITOR	0.01uF 16V K	1	
C512		CK73GBB1H223K	C CAPACITOR	0.022uF 50V K	1	
C513		CK73GBB1H223K	C CAPACITOR	0.022uF 50V K	1	
C514		CK73GBB0J225K	C CAPACITOR	2.2uF 6.3V K	1	
C515		CK73GBB1H223K	C CAPACITOR	0.022uF 50V K	1	
C517		CK73GBB1H223K	C CAPACITOR	0.022uF 50V K	1	
C518		CK73GXR1C105K	C CAPACITOR	1uF 16V K	1	
C520		CK73GBB0J225K	C CAPACITOR	2.2uF 6.3V K	1	
C521		CK73GXR0J475K	C CAPACITOR	4.7uF 6.3V K	1	
C539		CK73GBB0J225K	C CAPACITOR	2.2uF 6.3V K	1	
C540		CK73GBB1H223K	C CAPACITOR	0.022uF 50V K	1	
C600		CK73HBB1A104K	C CAPACITOR	0.1uF 10V K	1	
C601		CK73HBB1A104K	C CAPACITOR	0.1uF 10V K	1	
C602		CK73HBB1A104K	C CAPACITOR	0.1uF 10V K	1	
C603		CK73FXR0J226M	C CAPACITOR	22uF 6.3V M	1	
C604		CK73HBB1H102K	C CAPACITOR	1000pF 50V K	1	
C605		CK73GXR1H104K	C CAPACITOR	0.1uF 50V K	1	
C606		CK73HBB1E103K	C CAPACITOR	0.01uF 25V K	1	
C607		CK73HBB1H102K	C CAPACITOR	1000pF 50V K	1	
C608		CK73HBB1H102K	C CAPACITOR	1000pF 50V K	1	
C609		CK73HBB1H102K	C CAPACITOR	1000pF 50V K	1	
C611		CK73EBB1A106K	C CAPACITOR	10uF 10V K	1	
C701		CK73HBB1H103K	C CAPACITOR	0.01uF 50V K	1	
C702		CK73FXR1C106K	C CAPACITOR	10uF 16V K	1	
R1		RK73HB1J000J	MG RESISTOR	0Ω 1/16W J	1	
R2		RK73HB1J000J	MG RESISTOR	0Ω 1/16W J	1	
R3		RK73HB1J000J	MG RESISTOR	0Ω 1/16W J	1	
R4		RK73HB1J000J	MG RESISTOR	0Ω 1/16W J	1	
R5		RK73HB1J101J	MG RESISTOR	100Ω 1/16W J	1	
R6		RK73HB1J000J	MG RESISTOR	0Ω 1/16W J	1	
R7		RK73HB1J000J	MG RESISTOR	0Ω 1/16W J	1	
R8		RK73HB1J000J	MG RESISTOR	0Ω 1/16W J	1	
R9		RK73HB1J000J	MG RESISTOR	0Ω 1/16W J	1	
R10		RK73HB1J000J	MG RESISTOR	0Ω 1/16W J	1	
R11		RK73HB1J000J	MG RESISTOR	0Ω 1/16W J	1	
R12		RK73HB1J000J	MG RESISTOR	0Ω 1/16W J	1	
R13		RK73HB1J000J	MG RESISTOR	0Ω 1/16W J	1	
R14		RK73HB1J000J	MG RESISTOR	0Ω 1/16W J	1	
R15		RK73HB1J000J	MG RESISTOR	0Ω 1/16W J	1	
R16		RK73HB1J000J	MG RESISTOR	0Ω 1/16W J	1	
R17		RK73HB1J000J	MG RESISTOR	0Ω 1/16W J	1	

MODEL	MARK
DDX8905S	

Safe	Symbol No.	Parts No.	Parts Name	Description	QTY	Local
R18		RK73HB1J000J	MG RESISTOR	0Ω 1/16W J	1	
R19		RK73HB1J000J	MG RESISTOR	0Ω 1/16W J	1	
R20		RK73HB1J000J	MG RESISTOR	0Ω 1/16W J	1	
R21		RK73HB1J000J	MG RESISTOR	0Ω 1/16W J	1	
R22		RK73HB1J000J	MG RESISTOR	0Ω 1/16W J	1	
R23		RK73HB1J000J	MG RESISTOR	0Ω 1/16W J	1	
R24		RK73HB1J000J	MG RESISTOR	0Ω 1/16W J	1	
R25		RK73HB1J000J	MG RESISTOR	0Ω 1/16W J	1	
R26		RK73HB1J000J	MG RESISTOR	0Ω 1/16W J	1	
R27		RK73HB1J000J	MG RESISTOR	0Ω 1/16W J	1	
R29		RK73HB1J000J	MG RESISTOR	0Ω 1/16W J	1	
R34		RK73HB1J000J	MG RESISTOR	0Ω 1/16W J	1	
R35		RK73HB1J000J	MG RESISTOR	0Ω 1/16W J	1	
R36		RK73HB1J000J	MG RESISTOR	0Ω 1/16W J	1	
R37		RK73HB1J000J	MG RESISTOR	0Ω 1/16W J	1	
R39		RK73HB1J000J	MG RESISTOR	0Ω 1/16W J	1	
R40		RK73HB1J000J	MG RESISTOR	0Ω 1/16W J	1	
R41		RK73HB1J000J	MG RESISTOR	0Ω 1/16W J	1	
R42		RK73HB1J000J	MG RESISTOR	0Ω 1/16W J	1	
R43		RK73HB1J000J	MG RESISTOR	0Ω 1/16W J	1	
R44		RK73HB1J000J	MG RESISTOR	0Ω 1/16W J	1	
R45		RK73HB1J000J	MG RESISTOR	0Ω 1/16W J	1	
R46		RK73HB1J000J	MG RESISTOR	0Ω 1/16W J	1	
R47		RK73HB1J000J	MG RESISTOR	0Ω 1/16W J	1	
R48		RK73HB1J000J	MG RESISTOR	0Ω 1/16W J	1	
R49		RK73HB1J000J	MG RESISTOR	0Ω 1/16W J	1	
R50		RK73HB1J000J	MG RESISTOR	0Ω 1/16W J	1	
R51		RK73HB1J000J	MG RESISTOR	0Ω 1/16W J	1	
R52		RK73HB1J000J	MG RESISTOR	0Ω 1/16W J	1	
R53		RK73HB1J000J	MG RESISTOR	0Ω 1/16W J	1	
R54		RK73HB1J000J	MG RESISTOR	0Ω 1/16W J	1	
R55		RK73HB1J000J	MG RESISTOR	0Ω 1/16W J	1	
R56		RK73HB1J000J	MG RESISTOR	0Ω 1/16W J	1	
R57		RK73HB1J000J	MG RESISTOR	0Ω 1/16W J	1	
R58		RK73HB1J000J	MG RESISTOR	0Ω 1/16W J	1	
R59		RK73HB1J000J	MG RESISTOR	0Ω 1/16W J	1	
R100		RK73HB1J101J	MG RESISTOR	100Ω 1/16W J	1	
R101		RK73HB1J101J	MG RESISTOR	100Ω 1/16W J	1	
R102		RK73HB1J101J	MG RESISTOR	100Ω 1/16W J	1	
R103		RK73HB1J101J	MG RESISTOR	100Ω 1/16W J	1	
R104		RK73HB1J101J	MG RESISTOR	100Ω 1/16W J	1	
R105		RK73HB1J101J	MG RESISTOR	100Ω 1/16W J	1	
R106		RK73HB1J101J	MG RESISTOR	100Ω 1/16W J	1	
R107		RK73HB1J101J	MG RESISTOR	100Ω 1/16W J	1	
R108		RK73HB1J272J	MG RESISTOR	2.7kΩ 1/16W J	1	
R109		RK73HB1J101J	MG RESISTOR	100Ω 1/16W J	1	
R110		RK73HB1J101J	MG RESISTOR	100Ω 1/16W J	1	
R111		RK73HB1J101J	MG RESISTOR	100Ω 1/16W J	1	
R112		RK73HB1J123J	MG RESISTOR	12kΩ 1/16W J	1	
R113		RK73HB1J101J	MG RESISTOR	100Ω 1/16W J	1	
R114		RK73HB1J101J	MG RESISTOR	100Ω 1/16W J	1	
R115		RK73HB1J101J	MG RESISTOR	100Ω 1/16W J	1	
R116		RK73HB1J101J	MG RESISTOR	100Ω 1/16W J	1	
R117		RK73HB1J101J	MG RESISTOR	100Ω 1/16W J	1	
R120		RK73HB1J101J	MG RESISTOR	100Ω 1/16W J	1	
R121		RK73HB1J272J	MG RESISTOR	2.7kΩ 1/16W J	1	
R122		RK73HB1J101J	MG RESISTOR	100Ω 1/16W J	1	
R123		RK73HB1J272J	MG RESISTOR	2.7kΩ 1/16W J	1	
R125		RK73HB1J101J	MG RESISTOR	100Ω 1/16W J	1	
R126		RK73HB1J103J	MG RESISTOR	10kΩ 1/16W J	1	
R127		RK73HB1J102J	MG RESISTOR	1kΩ 1/16W J	1	
R128		RK73HB1J101J	MG RESISTOR	100Ω 1/16W J	1	
R129		RK73HB1J101J	MG RESISTOR	100Ω 1/16W J	1	
R130		RK73HB1J101J	MG RESISTOR	100Ω 1/16W J	1	
R131		RK73HB1J101J	MG RESISTOR	100Ω 1/16W J	1	
R132		RK73HB1J101J	MG RESISTOR	100Ω 1/16W J	1	
R133		RK73HB1J101J	MG RESISTOR	100Ω 1/16W J	1	
R134		RK73HB1J101J	MG RESISTOR	100Ω 1/16W J	1	
R135		RK73HB1J101J	MG RESISTOR	100Ω 1/16W J	1	
R136		RK73HB1J103J	MG RESISTOR	10kΩ 1/16W J	1	
R137		RK73HB1J103J	MG RESISTOR	10kΩ 1/16W J	1	
R138		RK73HB1J101J	MG RESISTOR	100Ω 1/16W J	1	
R139		RK73HB1J101J	MG RESISTOR	100Ω 1/16W J	1	
R140		RK73HB1J101J	MG RESISTOR	100Ω 1/16W J	1	
R141		RK73HB1J473J	MG RESISTOR	47kΩ 1/16W J	1	
R142		RK73HB1J473J	MG RESISTOR	47kΩ 1/16W J	1	
R143		RK73HB1J472J	MG RESISTOR	4.7kΩ 1/16W J	1	
R144		RK73HB1J472J	MG RESISTOR	4.7kΩ 1/16W J	1	
R145		RK73HB1J103J	MG RESISTOR	10kΩ 1/16W J	1	
R146		RK73HB1J102J	MG RESISTOR	1kΩ 1/16W J	1	
R147		RK73HB1J101J	MG RESISTOR	100Ω 1/16W J	1	
R148		RK73HB1J101J	MG RESISTOR	100Ω 1/16W J	1	
R149		RK73HB1J101J	MG RESISTOR	100Ω 1/16W J	1	
R150		RK73HB1J101J	MG RESISTOR	100Ω 1/16W J	1	
R151		RK73HB1J331J	MG RESISTOR	330Ω 1/16W J	1	
R153		RK73HB1J101J	MG RESISTOR	100Ω 1/16W J	1	
R164		RK73HB1J000J	MG RESISTOR	0Ω 1/16W J	1	
R165		RK73HB1J000J	MG RESISTOR	0Ω 1/16W J	1	
R167		RK73HB1J000J	MG RESISTOR	0Ω 1/16W J	1	
R200		RK73HB1J000J	MG RESISTOR	0Ω 1/16W J	1	
R201		RK73HB1J102J	MG RESISTOR	1kΩ 1/16W J	1	
R203		RK73GB2A511J	MG RESISTOR	510Ω 1/10W J	1	
R204		RK73GB2A511J	MG RESISTOR	510Ω 1/10W J	1	

MODEL	MARK
DDX8905S	

Safe	Symbol No.	Parts No.	Parts Name	Description	QTY	Local
	R207	RK73HH1J104D	MG RESISTOR	100kΩ 1/16W D	1	
	R208	RK73HH1J563D	MG RESISTOR	56kΩ 1/16W D	1	
	R209	RK73HB1J000J	MG RESISTOR	0Ω 1/16W J	1	
	R210	RK73HH1J152D	MG RESISTOR	1.5kΩ 1/16W D	1	
	R211	RK73HH1J154D	MG RESISTOR	150kΩ 1/16W D	1	
	R212	RK73HH1J103D	MG RESISTOR	10kΩ 1/16W D	1	
	R213	RK73HH1J751D	MG RESISTOR	750Ω 1/16W D	1	
	R214	RK73HB1J101J	MG RESISTOR	100Ω 1/16W J	1	
	R215	RK73HH1J563D	MG RESISTOR	56kΩ 1/16W D	1	
	R216	RK73HB1J4R7J	MG RESISTOR	4.7Ω 1/16W J	1	
	R217	RK73HB1J000J	MG RESISTOR	0Ω 1/16W J	1	
	R218	RZ73F0AK33LJ	RESISTOR	0.033Ω 1/3W J	1	
	R219	RK73HB1J103J	MG RESISTOR	10kΩ 1/16W J	1	
	R220	RK73GH2A361D	MG RESISTOR	360Ω 1/10W D	1	
	R221	RK73GH2A361D	MG RESISTOR	360Ω 1/10W D	1	
	R222	RK73GH2A361D	MG RESISTOR	360Ω 1/10W D	1	
	R223	RK73HB1J000J	MG RESISTOR	0Ω 1/16W J	1	
	R224	RK73HB1J102J	MG RESISTOR	1kΩ 1/16W J	1	
	R225	RK73HB1J101J	MG RESISTOR	100Ω 1/16W J	1	
	R227	RK73GB2A511J	MG RESISTOR	510Ω 1/10W J	1	
	R228	RK73GB2A511J	MG RESISTOR	510Ω 1/10W J	1	
	R229	RK73GH2A361D	MG RESISTOR	360Ω 1/10W D	1	
	R230	RK73GH2A361D	MG RESISTOR	360Ω 1/10W D	1	
	R231	RK73HB1J473J	MG RESISTOR	47kΩ 1/16W J	1	
	R232	RK73HB1J473J	MG RESISTOR	47kΩ 1/16W J	1	
	R233	RK73GH2A391D	MG RESISTOR	390Ω 1/10W D	1	
	R234	RK73GH2A361D	MG RESISTOR	360Ω 1/10W D	1	
	R235	RK73HB1J101J	MG RESISTOR	100Ω 1/16W J	1	
	R236	RK73GB2A511J	MG RESISTOR	510Ω 1/10W J	1	
	R237	RK73GH2A361D	MG RESISTOR	360Ω 1/10W D	1	
	R238	RK73HB1J101J	MG RESISTOR	100Ω 1/16W J	1	
	R239	RK73HB1J101J	MG RESISTOR	100Ω 1/16W J	1	
	R240	RK73HB1J101J	MG RESISTOR	100Ω 1/16W J	1	
	R241	RK73GH2A391D	MG RESISTOR	390Ω 1/10W D	1	
	R242	RK73GH2A391D	MG RESISTOR	390Ω 1/10W D	1	
	R243	RK73HB1J101J	MG RESISTOR	100Ω 1/16W J	1	
	R244	RK73GH2A391D	MG RESISTOR	390Ω 1/10W D	1	
	R245	RK73GB2A511J	MG RESISTOR	510Ω 1/10W J	1	
	R246	RZ73F0BS560J	RESISTOR	56Ω 1/3W J	1	
	R247	RK73HB1J102J	MG RESISTOR	1kΩ 1/16W J	1	
	R248	RK73GH2A391D	MG RESISTOR	390Ω 1/10W D	1	
	R249	RK73HB1J473J	MG RESISTOR	47kΩ 1/16W J	1	
	R250	RK73HB1J101J	MG RESISTOR	100Ω 1/16W J	1	
	R251	RK73GH2A391D	MG RESISTOR	390Ω 1/10W D	1	
	R252	RK73GH2A391D	MG RESISTOR	390Ω 1/10W D	1	
	R253	RK73GH2A361D	MG RESISTOR	360Ω 1/10W D	1	
	R254	RK73HB1J101J	MG RESISTOR	100Ω 1/16W J	1	
	R255	RK73GH2A391D	MG RESISTOR	390Ω 1/10W D	1	
	R256	RK73HB1J473J	MG RESISTOR	47kΩ 1/16W J	1	
	R257	RK73HB1J103J	MG RESISTOR	10kΩ 1/16W J	1	
	R259	RK73GB2A000J	MG RESISTOR	0Ω 1/10W J	1	
	R300	RK73HB1J104J	MG RESISTOR	100kΩ 1/16W J	1	
	R301	RK73HB1J392J	MG RESISTOR	3.9kΩ 1/16W J	1	
	R302	RK73HB1J681J	MG RESISTOR	680Ω 1/16W J	1	
	R303	RK73HB1J393J	MG RESISTOR	39kΩ 1/16W J	1	
	R304	RK73HB1J104J	MG RESISTOR	100kΩ 1/16W J	1	
	R305	RK73HH1J222D	MG RESISTOR	2.2kΩ 1/16W D	1	
	R306	RK73HH1J393D	MG RESISTOR	39kΩ 1/16W D	1	
	R307	RK73HH1J103D	MG RESISTOR	10kΩ 1/16W D	1	
	R308	RK73HH1J103D	MG RESISTOR	10kΩ 1/16W D	1	
	R309	RK73HB1J472J	MG RESISTOR	4.7kΩ 1/16W J	1	
	R310	RK73HB1J104J	MG RESISTOR	100kΩ 1/16W J	1	
	R311	RK73HB1J000J	MG RESISTOR	0Ω 1/16W J	1	
	R312	RK73HH1J102D	MG RESISTOR	1kΩ 1/16W D	1	
	R313	RK73HB1J104J	MG RESISTOR	100kΩ 1/16W J	1	
	R314	RK73HB1J821J	MG RESISTOR	820Ω 1/16W J	1	
	R315	RK73HB1J103J	MG RESISTOR	10kΩ 1/16W J	1	
	R316	RK73HB1J103J	MG RESISTOR	10kΩ 1/16W J	1	
	R317	RK73HB1J751J	MG RESISTOR	750Ω 1/16W J	1	
	R318	RK73HB1J103J	MG RESISTOR	10kΩ 1/16W J	1	
	R319	RK73HB1J473J	MG RESISTOR	47kΩ 1/16W J	1	
	R320	RK73HB1J104J	MG RESISTOR	100kΩ 1/16W J	1	
	R321	RK73HB1J000J	MG RESISTOR	0Ω 1/16W J	1	
	R401	RK73HB1J472J	MG RESISTOR	4.7kΩ 1/16W J	1	
	R402	RK73HB1J472J	MG RESISTOR	4.7kΩ 1/16W J	1	
	R403	RK73HB1J102J	MG RESISTOR	1kΩ 1/16W J	1	
	R404	RK73HH1J563D	MG RESISTOR	56kΩ 1/16W D	1	
	R405	RK73HH1J124D	MG RESISTOR	120kΩ 1/16W D	1	
	R406	RK73HH1J184D	MG RESISTOR	180kΩ 1/16W D	1	
	R407	RK73HH1J153D	MG RESISTOR	15kΩ 1/16W D	1	
	R408	RK73HH1J103D	MG RESISTOR	10kΩ 1/16W D	1	
	R409	RK73HH1J273D	MG RESISTOR	27kΩ 1/16W D	1	
	R411	RK73HB1J101J	MG RESISTOR	100Ω 1/16W J	1	
	R412	RK73EB2E392J	MG RESISTOR	3.9kΩ 1/4W J	1	
	R413	RK73HB1J000J	MG RESISTOR	0Ω 1/16W J	1	
	R414	RK73HB1J000J	MG RESISTOR	0Ω 1/16W J	1	
	R415	RK73HH1J620D	MG RESISTOR	62Ω 1/16W D	1	
	R416	RK73HH1J161D	MG RESISTOR	160Ω 1/16W D	1	
	R417	RK73HH1J430D	MG RESISTOR	43Ω 1/16W D	1	
	R418	RK73HH1J390D	MG RESISTOR	39Ω 1/16W D	1	
	R419	RK73HH1J101D	MG RESISTOR	100Ω 1/16W D	1	
	R420	RK73HH1J161D	MG RESISTOR	160Ω 1/16W D	1	

MODEL	MARK
DDX8905S	

Safe	Symbol No.	Parts No.	Parts Name	Description	QTY	Local
	R421	RK73HH1J101D	MG RESISTOR	100Ω 1/16W D	1	
	R422	RK73HH1J390D	MG RESISTOR	39Ω 1/16W D	1	
	R423	RK73HH1J430D	MG RESISTOR	43Ω 1/16W D	1	
	R424	RK73HH1J161D	MG RESISTOR	160Ω 1/16W D	1	
	R425	RK73HH1J820D	MG RESISTOR	82Ω 1/16W D	1	
	R426	RK73EB2E102J	MG RESISTOR	1kΩ 1/4W J	1	
	R427	RK73HB1J472J	MG RESISTOR	4.7kΩ 1/16W J	1	
	R428	RK73HH1J122D	MG RESISTOR	1.2kΩ 1/16W D	1	
	R469	RK73HB1J473J	MG RESISTOR	47kΩ 1/16W J	1	
	R470	RK73HB1J473J	MG RESISTOR	47kΩ 1/16W J	1	
	R471	RK73HB1J101J	MG RESISTOR	100Ω 1/16W J	1	
	R472	RK73HB1J101J	MG RESISTOR	100Ω 1/16W J	1	
	R475	RK73HB1J101J	MG RESISTOR	100Ω 1/16W J	1	
	R476	RK73HB1J101J	MG RESISTOR	100Ω 1/16W J	1	
	R477	RK73HB1J473J	MG RESISTOR	47kΩ 1/16W J	1	
	R538	RK73HB1J102J	MG RESISTOR	1kΩ 1/16W J	1	
	R539	RK73HB1J102J	MG RESISTOR	1kΩ 1/16W J	1	
	R540	RK73HB1J102J	MG RESISTOR	1kΩ 1/16W J	1	
	R541	RK73HB1J102J	MG RESISTOR	1kΩ 1/16W J	1	
	R542	RK73HB1J102J	MG RESISTOR	1kΩ 1/16W J	1	
	R543	RK73HB1J102J	MG RESISTOR	1kΩ 1/16W J	1	
	R544	RK73HB1J102J	MG RESISTOR	1kΩ 1/16W J	1	
	R545	RK73HB1J102J	MG RESISTOR	1kΩ 1/16W J	1	
	R546	RK73HB1J102J	MG RESISTOR	1kΩ 1/16W J	1	
	R547	RK73HB1J102J	MG RESISTOR	1kΩ 1/16W J	1	
	R548	RK73HB1J102J	MG RESISTOR	1kΩ 1/16W J	1	
	R549	RK73HB1J102J	MG RESISTOR	1kΩ 1/16W J	1	
	R550	RK73HB1J102J	MG RESISTOR	1kΩ 1/16W J	1	
	R551	RK73HB1J102J	MG RESISTOR	1kΩ 1/16W J	1	
	R552	RK73HB1J102J	MG RESISTOR	1kΩ 1/16W J	1	
	R553	RK73HB1J102J	MG RESISTOR	1kΩ 1/16W J	1	
	R554	RK73HB1J102J	MG RESISTOR	1kΩ 1/16W J	1	
	R555	RK73HB1J102J	MG RESISTOR	1kΩ 1/16W J	1	
	R556	RK73HB1J102J	MG RESISTOR	1kΩ 1/16W J	1	
	R557	RK73HB1J102J	MG RESISTOR	1kΩ 1/16W J	1	
	R558	RK73HB1J102J	MG RESISTOR	1kΩ 1/16W J	1	
	R559	RK73HB1J102J	MG RESISTOR	1kΩ 1/16W J	1	
	R560	RK73HB1J102J	MG RESISTOR	1kΩ 1/16W J	1	
	R561	RK73HB1J102J	MG RESISTOR	1kΩ 1/16W J	1	
	R562	RK73HB1J102J	MG RESISTOR	1kΩ 1/16W J	1	
	R563	RK73HB1J103J	MG RESISTOR	10kΩ 1/16W J	1	
	R564	RK73HB1J473J	MG RESISTOR	47kΩ 1/16W J	1	
	R565	RK73HB1J332J	MG RESISTOR	3.3kΩ 1/16W J	1	
	R566	RK73HB1J332J	MG RESISTOR	3.3kΩ 1/16W J	1	
	R567	RK73HB1J103J	MG RESISTOR	10kΩ 1/16W J	1	
	R568	RK73HB1J103J	MG RESISTOR	10kΩ 1/16W J	1	
	R569	RK73HB1J103J	MG RESISTOR	10kΩ 1/16W J	1	
	R571	RK73HB1J103J	MG RESISTOR	10kΩ 1/16W J	1	
	R572	RK73HB1J102J	MG RESISTOR	1kΩ 1/16W J	1	
	R573	RK73HB1J102J	MG RESISTOR	1kΩ 1/16W J	1	
	R574	RK73HB1J102J	MG RESISTOR	1kΩ 1/16W J	1	
	R575	RK73HB1J102J	MG RESISTOR	1kΩ 1/16W J	1	
	R576	RK73HB1J102J	MG RESISTOR	1kΩ 1/16W J	1	
	R577	RK73HB1J102J	MG RESISTOR	1kΩ 1/16W J	1	
	R578	RK73HB1J102J	MG RESISTOR	1kΩ 1/16W J	1	
	R579	RK73HB1J102J	MG RESISTOR	1kΩ 1/16W J	1	
	R580	RK73HB1J000J	MG RESISTOR	0Ω 1/16W J	1	
	R581	RK73HB1J000J	MG RESISTOR	0Ω 1/16W J	1	
	R582	RK73HB1J000J	MG RESISTOR	0Ω 1/16W J	1	
	R583	RK73HB1J000J	MG RESISTOR	0Ω 1/16W J	1	
	R584	RK73GB2A000J	MG RESISTOR	0Ω 1/10W J	1	
	R585	RK73GB2A000J	MG RESISTOR	0Ω 1/10W J	1	
	R586	RK73GB2A000J	MG RESISTOR	0Ω 1/10W J	1	
	R587	RK73GB2A000J	MG RESISTOR	0Ω 1/10W J	1	
	R588	RK73GB2A000J	MG RESISTOR	0Ω 1/10W J	1	
	R589	RK73GB2A000J	MG RESISTOR	0Ω 1/10W J	1	
	R590	RK73GB2A000J	MG RESISTOR	0Ω 1/10W J	1	
	R591	RK73GB2A000J	MG RESISTOR	0Ω 1/10W J	1	
	R592	RK73GB2A000J	MG RESISTOR	0Ω 1/10W J	1	
	R593	RK73GB2A000J	MG RESISTOR	0Ω 1/10W J	1	
	R594	RK73GB2A000J	MG RESISTOR	0Ω 1/10W J	1	
	R595	RK73GB2A000J	MG RESISTOR	0Ω 1/10W J	1	
	R596	RK73GB2A000J	MG RESISTOR	0Ω 1/10W J	1	
	R597	RK73GB2A000J	MG RESISTOR	0Ω 1/10W J	1	
	R598	RK73GB2A000J	MG RESISTOR	0Ω 1/10W J	1	
	R600	RK73GB2A100J	MG RESISTOR	10Ω 1/10W J	1	
	R601	RK73GB2A100J	MG RESISTOR	10Ω 1/10W J	1	
	R603	RK73HB1J473J	MG RESISTOR	47kΩ 1/16W J	1	
	R604	RK73HB1J473J	MG RESISTOR	47kΩ 1/16W J	1	
	R605	RK73HB1J473J	MG RESISTOR	47kΩ 1/16W J	1	
	R606	RK73GB2A100J	MG RESISTOR	10Ω 1/10W J	1	
	R607	RK73GB2A100J	MG RESISTOR	10Ω 1/10W J	1	
	R608	RK73GB2A101J	MG RESISTOR	100Ω 1/10W J	1	
	R609	RK73GB2A100J	MG RESISTOR	10Ω 1/10W J	1	
	R610	RK73GB2A100J	MG RESISTOR	10Ω 1/10W J	1	
	R611	RK73GB2A100J	MG RESISTOR	10Ω 1/10W J	1	
	R612	RK73GB2A100J	MG RESISTOR	10Ω 1/10W J	1	
	R613	RK73GB2A221J	MG RESISTOR	220Ω 1/10W J	1	
	R614	RK73HH1J301D	MG RESISTOR	300Ω 1/16W D	1	
	R615	RK73HH1J301D	MG RESISTOR	300Ω 1/16W D	1	
	R616	RK73HH1J301D	MG RESISTOR	300Ω 1/16W D	1	
	R617	RK73HB1J101J	MG RESISTOR	100Ω 1/16W J	1	

MODEL	MARK
DDX8905S	

Safe	Symbol No.	Parts No.	Parts Name	Description	QTY	Local
	R618	RK73HB1J101J	MG RESISTOR	100Ω 1/16W J	1	
	R619	RK73HB1J101J	MG RESISTOR	100Ω 1/16W J	1	
	R620	RK73GB2A100J	MG RESISTOR	10Ω 1/10W J	1	
	R622	RK73GB2A100J	MG RESISTOR	10Ω 1/10W J	1	
	R623	RK73HB1J000J	MG RESISTOR	0Ω 1/16W J	1	
	R625	RK73GB2A000J	MG RESISTOR	0Ω 1/10W J	1	
	R626	RK73HB1J000J	MG RESISTOR	0Ω 1/16W J	1	
	R630	RK73HB1J101J	MG RESISTOR	100Ω 1/16W J	1	
	R631	RK73HB1J101J	MG RESISTOR	100Ω 1/16W J	1	
	R632	RK73HB1J101J	MG RESISTOR	100Ω 1/16W J	1	
	R633	RK73HB1J101J	MG RESISTOR	100Ω 1/16W J	1	
	R722	RK73GB2A000J	MG RESISTOR	0Ω 1/10W J	1	
	L100	LB73G0BF-002	CHIP FERRITE		1	
	L102	LB73G0BF-003	CHIP FERRITE		1	
	L200	LR79Z0FB220M	CHIP INDUCTOR	22uF	1	
	L201	NQR0716-001X	FERRITE CORE		1	
	L404	NQR0717-001X	FERRITE CORE		1	
	L502	LB73G0BF-003	CHIP FERRITE		1	
	L600	LB73G0BF-003	CHIP FERRITE		1	
	L602	LB73G0BF-002	CHIP FERRITE		1	

	CN1	EC720AB-0570A	FFC FPC CONNE	70P	1	
	CN100	EC720AT-0510A	FFC FPC CONNE	10P	1	
	CN200	EA720AT-1002A	W TO B CONNE		1	
	CN400	EC720AA-0560A	FFC FPC CONNE	60P	1	
	CN501	QGF0528F4-50X	FFC/FPC CONNE	FFC/FPC (1-50)	1	
	CN502	EC720AT-0508A	FFC FPC CONNE	8P	1	
	CN600	EC720AA-0522A	FFC FPC CONNE		1	
	VA600	EZJP0270EA	VARIATOR		1	
	VA601	EZJP0270EA	VARIATOR		1	
	VA602	EZJP0080MA	VARIATOR		1	
	VA603	EZJP0080MA	VARIATOR		1	
	VA604	EZJP0080MA	VARIATOR		1	

OPERATION PWB ASSY(XJ7-042K-00) <XJ7>

	IC1	PICA38603-NV	IR DETECT UNIT		1	
	D1	NSSM124	LED		1	
	D2	NSSM124	LED		1	
	D3	NSSM124	LED		1	
	D4	NSSM124	LED		1	
	C1	CK73GXR1A105K	C CAPACITOR	1uF 10V K	1	
	C2	CK73HXR1C104K	C CAPACITOR	0.1uF 16V K	1	
	R1	RK73GB2A333J	MG RESISTOR	33kΩ 1/10W J	1	
	R2	RK73GB2A103J	MG RESISTOR	10kΩ 1/10W J	1	
	R3	RK73GB2A472J	MG RESISTOR	4.7kΩ 1/10W J	1	
	R4	RK73GB2A332J	MG RESISTOR	3.3kΩ 1/10W J	1	
	R5	RK73HB1J000J	MG RESISTOR	0Ω 1/16W J	1	
	CN1	EC720AT-0513A	FFC FPC CONNE	13P	1	
	S1	S7A-0001-00	TACTILE PUSH SW		1	
	S2	S7A-0001-00	TACTILE PUSH SW		1	
	S3	S7A-0001-00	TACTILE PUSH SW		1	
	S4	S7A-0001-00	TACTILE PUSH SW		1	
	S5	S7A-0001-00	TACTILE PUSH SW		1	
	S6	S7A-0001-00	TACTILE PUSH SW		1	
	S7	S7A-0001-00	TACTILE PUSH SW		1	

BT PWB ASSY (XJ9-017E-00) <XJ9>

	C951	CK73FXR1C106K	C CAPACITOR	10uF 16V K	1	
	C952	CK73HBB1C104K	C CAPACITOR	0.1uF 16V K	1	
	C953	CK73HXR0J105K	C CAPACITOR	1uF 6.3V K	1	
	R1	RK73GB2A000J	MG RESISTOR	0Ω 1/10W J	1	
	R2	RK73GB2A000J	MG RESISTOR	0Ω 1/10W J	1	
	R952	RK73HB1J000J	MG RESISTOR	0Ω 1/16W J	1	
	R954	RK73HB1J000J	MG RESISTOR	0Ω 1/16W J	1	
	R956	RK73HB1J103J	MG RESISTOR	10kΩ 1/16W J	1	
	R958	RK73HB1J103J	MG RESISTOR	10kΩ 1/16W J	1	
	R960	RK73HB1J000J	MG RESISTOR	0Ω 1/16W J	1	
	R961	RK73HB1J000J	MG RESISTOR	0Ω 1/16W J	1	
	R962	RK73HB1J101J	MG RESISTOR	100Ω 1/16W J	1	
	R963	RK73HB1J331J	MG RESISTOR	330Ω 1/16W J	1	
	R964	RK73HB1J561J	MG RESISTOR	560Ω 1/16W J	1	
	R965	RK73HB1J561J	MG RESISTOR	560Ω 1/16W J	1	
	R966	RK73HB1J271J	MG RESISTOR	270Ω 1/16W J	1	
	R967	RK73HB1J000J	MG RESISTOR	0Ω 1/16W J	1	
	R968	RK73HB1J223J	MG RESISTOR	22kΩ 1/16W J	1	
	R970	RK73HB1J101J	MG RESISTOR	100Ω 1/16W J	1	
	A951	W0C-0167-00	CIRCUIT MODULE		1	

	CN1	EC720AA-0515A	FFC FPC CONNE	15P	1	
--	-----	---------------	---------------	-----	---	--

PANEL MECHA PWB ASSY (X16-7370-00) <X16>

	VR1	R31-0269-05	V RESISTOR		1	
--	-----	-------------	------------	--	---	--

DVD MECHA PWB ASSY (LVA11172-04A) <L17>

	IC1	AN41250A	ANALOG IC		1	
	IC2	M12L1281686TN	DRAM IC		1	
	IC3	WZZ-0025-00	PROGRAMMED IC		1	
	IC4	MN2DS0041MD	IC		1	
	IC5	BD12KA5FP	ANALOG IC		1	
	IC6	XC6120N282N-G	IC		1	
	IC8	MM1663DTE	MOS IC		1	
	Q1	2SK3019	FET		1	
	Q2	2SK3019	FET		1	
	Q3	LSCR523EBFS8	TRANSISTOR		1	
	Q4	2SB1709MG	TRANSISTOR		1	
	Q5	LSCR523EBFS8	TRANSISTOR		1	
	Q6	2SB1709MG	TRANSISTOR		1	
	Q11	LTA014TEBFS8	DIGI TRANSISTOR		1	
	Q12	LTA014TEBFS8	DIGI TRANSISTOR		1	

MODEL	MARK
DDX8905S	

Safe	Symbol No.	Parts No.	Parts Name	Description	QTY	Local
D1		TAN1102W-22	INFRARED LED		1	
D4		TAN1102W-22	INFRARED LED		1	
D5		1SS355VM	DIODE		1	
C1		CK73HBB1E103K	C CAPACITOR	0.01uF 25V K	1	
C2		NCJ20JK-106X-R	C CAPACITOR	10uF 6.3V K	1	
C6		CK73FXR0J226M	C CAPACITOR	22uF 6.3V M	1	
C7		CK73HBB1E103K	C CAPACITOR	0.01uF 25V K	1	
C8		CK73HBB1E103K	C CAPACITOR	0.01uF 25V K	1	
C10		CK73GXR0J475K	C CAPACITOR	4.7uF 6.3V K	1	
C12		NCJ20JK-106X-R	C CAPACITOR	10uF 6.3V K	1	
C13		NCJ20JK-106X-R	C CAPACITOR	10uF 6.3V K	1	
C14		CK73HBB1A104K	C CAPACITOR	0.1uF 10V K	1	
C16		CK73HBB1C333K	C CAPACITOR	0.033uF 16V K	1	
C17		CK73HBB1A104K	C CAPACITOR	0.1uF 10V K	1	
C18		CC73HCH1H120J	C CAPACITOR	12pF 50V J	1	
C19		CK73HBB1A104K	C CAPACITOR	0.1uF 10V K	1	
C20		CK73HBB1A104K	C CAPACITOR	0.1uF 10V K	1	
C21		CK73HBB1A104K	C CAPACITOR	0.1uF 10V K	1	
C22		CK73HBB1A104K	C CAPACITOR	0.1uF 10V K	1	
C23		CC73HCH1H120J	C CAPACITOR	12pF 50V J	1	
C24		CK73HXR0J105K	C CAPACITOR	1uF 6.3V K	1	
C25		CK73HXR0J105K	C CAPACITOR	1uF 6.3V K	1	
C26		CC73HCH1H102J	C CAPACITOR	1000pF 50V J	1	
C28		NCJ20JK-106X-R	C CAPACITOR	10uF 6.3V K	1	
C29		NCJ20JK-106X-R	C CAPACITOR	10uF 6.3V K	1	
C31		CK73GXR0J475K	C CAPACITOR	4.7uF 6.3V K	1	
C33		CK73HBB1H682K	C CAPACITOR	6800pF 50V K	1	
C34		CK73HBB1H682K	C CAPACITOR	6800pF 50V K	1	
C35		CC73HCH1H681J	C CAPACITOR	680pF 50V J	1	
C36		CC73HCH1H471J	C CAPACITOR	470pF 50V J	1	
C37		NCJ20JK-106X-R	C CAPACITOR	10uF 6.3V K	1	
C38		NCJ20JK-106X-R	C CAPACITOR	10uF 6.3V K	1	
C45		CK73HBB1A104K	C CAPACITOR	0.1uF 10V K	1	
C47		CK73HBB1A104K	C CAPACITOR	0.1uF 10V K	1	
C48		CK73HBB1H222K	C CAPACITOR	2200pF 50V K	1	
C49		CK73HBB1A104K	C CAPACITOR	0.1uF 10V K	1	
C50		CK73HBB1H222K	C CAPACITOR	2200pF 50V K	1	
C51		CK73HBB1H472K	C CAPACITOR	4700pF 50V K	1	
C52		CK73HBB1E103K	C CAPACITOR	0.01uF 25V K	1	
C53		CK73HBB1H222K	C CAPACITOR	2200pF 50V K	1	
C55		CK73HBB1A104K	C CAPACITOR	0.1uF 10V K	1	
C56		CK73HBB1H222K	C CAPACITOR	2200pF 50V K	1	
C57		CK73HBB1E103K	C CAPACITOR	0.01uF 25V K	1	
C58		CK73HBB1E103K	C CAPACITOR	0.01uF 25V K	1	
C59		CK73HBB1A104K	C CAPACITOR	0.1uF 10V K	1	
C60		CK73HBB1A104K	C CAPACITOR	0.1uF 10V K	1	
C61		CK73HBB1A104K	C CAPACITOR	0.1uF 10V K	1	
C62		CK73HBB1A104K	C CAPACITOR	0.1uF 10V K	1	
C63		CK73HBB1A104K	C CAPACITOR	0.1uF 10V K	1	
C64		CK73HBB1A104K	C CAPACITOR	0.1uF 10V K	1	
C65		CK73HBB1A104K	C CAPACITOR	0.1uF 10V K	1	
C66		CK73HBB1A104K	C CAPACITOR	0.1uF 10V K	1	
C67		CK73HBB1A104K	C CAPACITOR	0.1uF 10V K	1	
C68		CK73HBB1E103K	C CAPACITOR	0.01uF 25V K	1	
C70		CK73HXR0J105K	C CAPACITOR	1uF 6.3V K	1	
C71		CK73HBB1A104K	C CAPACITOR	0.1uF 10V K	1	
C74		CK73HBB1A104K	C CAPACITOR	0.1uF 10V K	1	
C75		CC73HCH1H101J	C CAPACITOR	100pF 50V J	1	
C76		CK73FXR0J226M	C CAPACITOR	22uF 6.3V M	1	
C77		CK73HBB1A104K	C CAPACITOR	0.1uF 10V K	1	
C78		CK73GXR0J475K	C CAPACITOR	4.7uF 6.3V K	1	
C79		CK73HBB1H222K	C CAPACITOR	2200pF 50V K	1	
C80		CK73HBB1H222K	C CAPACITOR	2200pF 50V K	1	
C81		CK73HXR0J105K	C CAPACITOR	1uF 6.3V K	1	
C82		CK73HXR0J105K	C CAPACITOR	1uF 6.3V K	1	
C83		CK73HXR0J105K	C CAPACITOR	1uF 6.3V K	1	
C84		NCJ20JK-106X-R	C CAPACITOR	10uF 6.3V K	1	
C85		CK73HBB1A104K	C CAPACITOR	0.1uF 10V K	1	
C86		CK73HBB1A104K	C CAPACITOR	0.1uF 10V K	1	
C87		CK73HBB1A104K	C CAPACITOR	0.1uF 10V K	1	
C88		CK73HBB1A104K	C CAPACITOR	0.1uF 10V K	1	
C89		CK73HBB1A104K	C CAPACITOR	0.1uF 10V K	1	
C90		CK73HBB1A104K	C CAPACITOR	0.1uF 10V K	1	
C91		CK73HBB1A104K	C CAPACITOR	0.1uF 10V K	1	
C92		CK73HBB1A104K	C CAPACITOR	0.1uF 10V K	1	
C93		CK73HBB1A104K	C CAPACITOR	0.1uF 10V K	1	
C94		CK73FXR0J226M	C CAPACITOR	22uF 6.3V M	1	
C95		CK73FXR0J226M	C CAPACITOR	22uF 6.3V M	1	
C96		CK73FXR0J226M	C CAPACITOR	22uF 6.3V M	1	
C101		CK73FXR0J226M	C CAPACITOR	22uF 6.3V M	1	
C102		CK73FXR0J226M	C CAPACITOR	22uF 6.3V M	1	
C103		CK73HBB1H222K	C CAPACITOR	2200pF 50V K	1	
C104		CK73HBB1H222K	C CAPACITOR	2200pF 50V K	1	
C105		CC73HCH1H150J	C CAPACITOR	15pF 50V J	1	
C112		CK73HBB1A104K	C CAPACITOR	0.1uF 10V K	1	
C115		CK73HXR0J105K	C CAPACITOR	1uF 6.3V K	1	
C120		CK73HBB1A104K	C CAPACITOR	0.1uF 10V K	1	
C121		CK73HBB1A104K	C CAPACITOR	0.1uF 10V K	1	
R1		RK73GB2A561J	MG RESISTOR	560Ω 1/10W J	1	
R2		RK73HB1J271J	MG RESISTOR	270Ω 1/16W J	1	
R3		RK73HB1J301J	MG RESISTOR	300Ω 1/16W J	1	
R4		RK73GB2A561J	MG RESISTOR	560Ω 1/10W J	1	

MODEL	MARK
DDX8905S	

Safe	Symbol No.	Parts No.	Parts Name	Description	QTY	Local
R5		RK73HB1J163J	MG RESISTOR	16kΩ 1/16W J	1	
R6		RK73HB1J103J	MG RESISTOR	10kΩ 1/16W J	1	
R7		RK73HB1J103J	MG RESISTOR	10kΩ 1/16W J	1	
R8		RK73HB1J103J	MG RESISTOR	10kΩ 1/16W J	1	
R9		RK73HB1J333J	MG RESISTOR	33kΩ 1/16W J	1	
R10		RK73HB1J103J	MG RESISTOR	10kΩ 1/16W J	1	
R11		RK73HB1J103J	MG RESISTOR	10kΩ 1/16W J	1	
R12		RK73HB1J103J	MG RESISTOR	10kΩ 1/16W J	1	
R15		RK73HB1J102J	MG RESISTOR	1kΩ 1/16W J	1	
R16		RK73HB1J102J	MG RESISTOR	1kΩ 1/16W J	1	
R17		RK73HB1J105J	MG RESISTOR	1MΩ 1/16W J	1	
R18		RK73HH1J303D	MG RESISTOR	30kΩ 1/16W D	1	
R19		RK73HB1J223J	MG RESISTOR	22kΩ 1/16W J	1	
R20		RK73HB1J471J	MG RESISTOR	470Ω 1/16W J	1	
R21		RK73HB1J100J	MG RESISTOR	10Ω 1/16W J	1	
R22		RK73HB1J560J	MG RESISTOR	56Ω 1/16W J	1	
R23		RK73HB1J2R2J	MG RESISTOR	2.2Ω 1/16W J	1	
R25		RK73HB1J471J	MG RESISTOR	470Ω 1/16W J	1	
R27		RK73HB1J471J	MG RESISTOR	470Ω 1/16W J	1	
R28		RK73HB1J100J	MG RESISTOR	10Ω 1/16W J	1	
R29		RK73HB1J560J	MG RESISTOR	56Ω 1/16W J	1	
R30		RK73HB1J2R2J	MG RESISTOR	2.2Ω 1/16W J	1	
R31		RK73PB2H270J	MG RESISTOR	27Ω 1/2W J	1	
R32		RK73HB1J203J	MG RESISTOR	20kΩ 1/16W J	1	
R33		RK73HB1J333J	MG RESISTOR	33kΩ 1/16W J	1	
R34		RK73HB1J471J	MG RESISTOR	470Ω 1/16W J	1	
R35		RK73PB2H270J	MG RESISTOR	27Ω 1/2W J	1	
R51		RK73HB1J223J	MG RESISTOR	22kΩ 1/16W J	1	
R52		RK73HB1J223J	MG RESISTOR	22kΩ 1/16W J	1	
R53		RK73POCMR27J	MG RESISTOR	0.27Ω 1/2W J	1	
R54		RK73HB1J103J	MG RESISTOR	10kΩ 1/16W J	1	
R55		RK73HB1J101J	MG RESISTOR	100Ω 1/16W J	1	
R56		RK73HB1J103J	MG RESISTOR	10kΩ 1/16W J	1	
R57		RK73HB1J103J	MG RESISTOR	10kΩ 1/16W J	1	
R58		RK73HB1J103J	MG RESISTOR	10kΩ 1/16W J	1	
R59		RK73HB1J103J	MG RESISTOR	10kΩ 1/16W J	1	
R60		RK73HB1J821J	MG RESISTOR	820Ω 1/16W J	1	
R61		RK73HB1J242J	MG RESISTOR	2.4kΩ 1/16W J	1	
R62		RK73HB1J103J	MG RESISTOR	10kΩ 1/16W J	1	
R63		RK73HB1J332J	MG RESISTOR	3.3kΩ 1/16W J	1	
R64		RK73HB1J202J	MG RESISTOR	2kΩ 1/16W J	1	
R65		RK73HB1J102J	MG RESISTOR	1kΩ 1/16W J	1	
R66		RK73HB1J102J	MG RESISTOR	1kΩ 1/16W J	1	
R69		RK73HB1J102J	MG RESISTOR	1kΩ 1/16W J	1	
R70		RK73HB1J102J	MG RESISTOR	1kΩ 1/16W J	1	
R73		RK73HB1J472J	MG RESISTOR	4.7kΩ 1/16W J	1	
R74		RK73HB1J4R7J	MG RESISTOR	4.7Ω 1/16W J	1	
R75		RK73HB1J000J	MG RESISTOR	0Ω 1/16W J	1	
R76		RK73HB1J472J	MG RESISTOR	4.7kΩ 1/16W J	1	
R77		RK73HB1J4R7J	MG RESISTOR	4.7Ω 1/16W J	1	
R78		RK73HB1J221J	MG RESISTOR	220Ω 1/16W J	1	
R79		RK73HB1J221J	MG RESISTOR	220Ω 1/16W J	1	
R80		RK73HB1J103J	MG RESISTOR	10kΩ 1/16W J	1	
R81		RK73HB1J103J	MG RESISTOR	10kΩ 1/16W J	1	
R82		RK73HB1J102J	MG RESISTOR	1kΩ 1/16W J	1	
R86		RK73HB1J102J	MG RESISTOR	1kΩ 1/16W J	1	
R92		RK73HB1J103J	MG RESISTOR	10kΩ 1/16W J	1	
R95		RK73HB1J470J	MG RESISTOR	47Ω 1/16W J	1	
R96		RK73HB1J103J	MG RESISTOR	10kΩ 1/16W J	1	
R105		RK73HB1J101J	MG RESISTOR	100Ω 1/16W J	1	
R106		RK73HB1J103J	MG RESISTOR	10kΩ 1/16W J	1	
R107		RK73HB1J221J	MG RESISTOR	220Ω 1/16W J	1	
R108		RK73HB1J221J	MG RESISTOR	220Ω 1/16W J	1	
R113		RK73HB1J470J	MG RESISTOR	47Ω 1/16W J	1	
R114		RK73HH1J5901D	MG RESISTOR	5.90kΩ 1/16W D	1	
R120		RK73HB1J432J	MG RESISTOR	4.3kΩ 1/16W J	1	
R121		RK73HB1J242J	MG RESISTOR	2.4kΩ 1/16W J	1	
R122		RK73HB1J162J	MG RESISTOR	1.6kΩ 1/16W J	1	
R123		RK73HB1J332J	MG RESISTOR	3.3kΩ 1/16W J	1	
R125		RK73GB2A000J	MG RESISTOR	0Ω 1/10W J	1	
R128		RK73GB2A000J	MG RESISTOR	0Ω 1/10W J	1	
CN1		EC720AA-0526A	FFC/FPC CONNE		1	
CN4		EC720AA-0535A	FFC FPC CONNE		1	
CN5		EC720AA-0518A	FFC FPC CONNE		1	
CN9		EA720AX-1503A	W TO B CONNE	W-B (1-3)	1	
PH1		PS1192HB-22-X	OPT TRANSMITTER		1	
PH2		PS1192HB-22-X	OPT TRANSMITTER		1	
S1		NSW0351-001X	LEVER SWITCH		1	
TH1		TH05-3H103F	N THERMISTOR		1	
X1		NAX1135-001X	CRYSTAL		1	