

EXPLODED VIEW/PARTS LIST

Main section

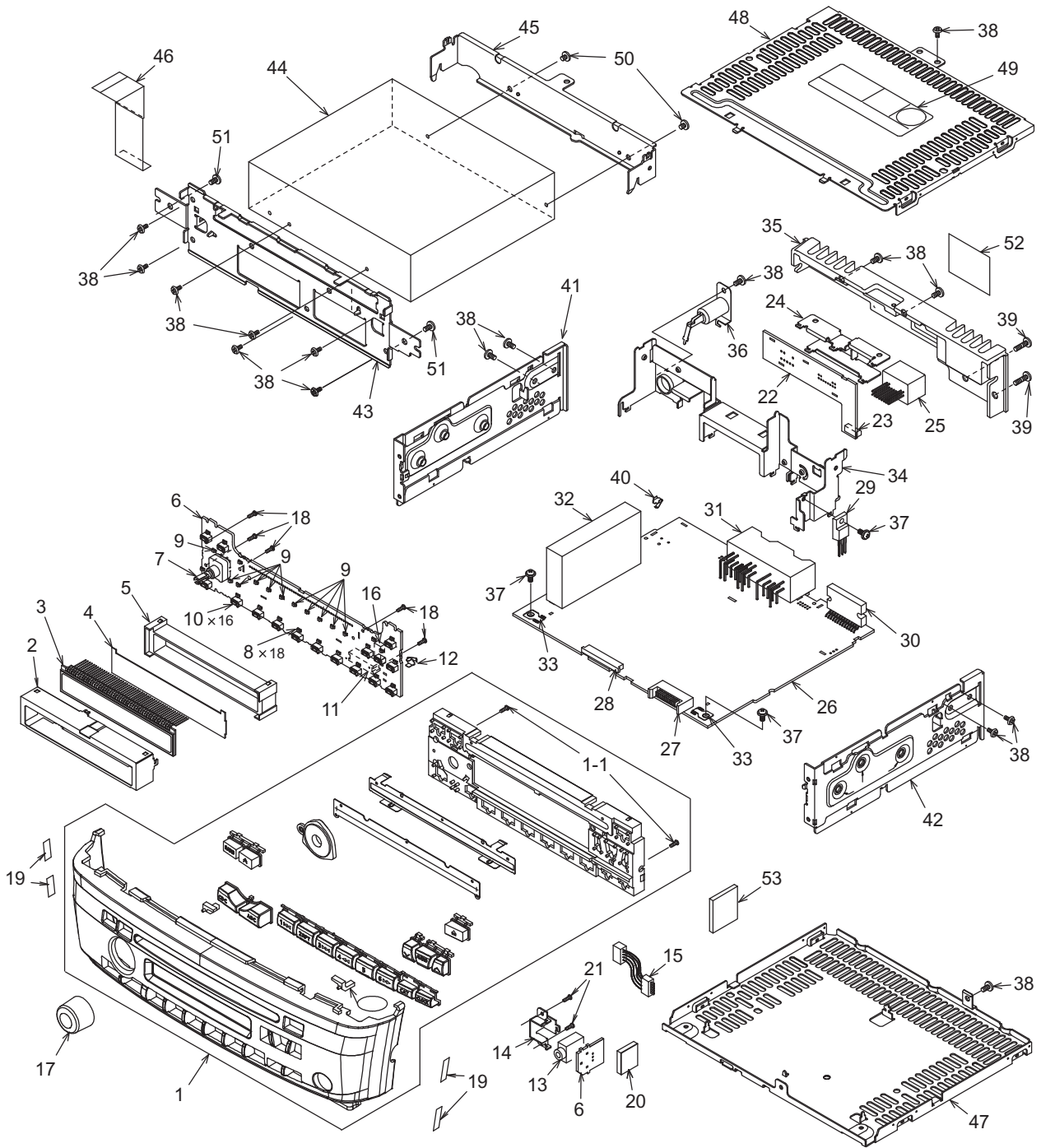
Note) Some parts depend on each model. The model name is specified in the description.

NO.	PART NO.	DESCRIPTION	Q'TY	NO.	PART NO.	DESCRIPTION	Q'TY
1	940-8019-83	ESCUTCHEON ASSY (PN-2591M-A)	1	15	854-4562-00	EXTENSION LEAD	1
	940-8019-84	ESCUTCHEON ASSY (PN-2591M-B)		16	076-0478-55	PLUG	1
	940-8019-85	ESCUTCHEON ASSY (PN-2591M-C)		17	380-5562-80	KNOB	1
1-1	716-0872-00	PAD SCREW	2	18	716-0872-00	PAD SCREW(M1.7 x 5)	5
2	331-3621-00	LCD COVER	1	19	347-2510-00	CUSHION TAPE	4
3	379-1268-30	INDICATOR	1	20	345-5324-00	CUSHION RUBBER	1
4	335-6968-00	COLOR FILTER	1	21	716-0778-00	WAVE SCREW	2
5	335-6967-80	LCD HOLDER	1	22	039-2325-00	SUB PWB (WITHOUT COMPONENT)	1
6	039-2324-00	SWITCH PWB (WITHOUT COMPONENT)	1	23	076-0544-12	PLUG(12P)	1
7	016-0010-09	VR-W/SHAFT	1	24	331-3252-00	OUTLET HOLDER	1
8	001-7063-91	LED(YEL)	18	25	074-1013-30	OUTLET SOCKET	1
9	001-7048-96	LED(YEL)	11	26	039-2323-00	MAIN PWB (WITHOUT COMPONENT)	1
10	013-6302-50	SWITCH	16	27	076-0648-20	PLUG(20P)	1
11	074-1279-70	OUTLET SOCKET(20P)	1	28	074-1191-26	OUTLET SOCKET(26P)	1
12	073-0774-00	TERMINAL	1	29	103-2012-00	TRANSISTOR	1
13	075-0306-00	JACK	1	30	051-2042-00	IC(TA8275H)	1
14	331-3623-00	JACK HOLDER	1	31	074-1068-11	OUTLET SOCKET	1

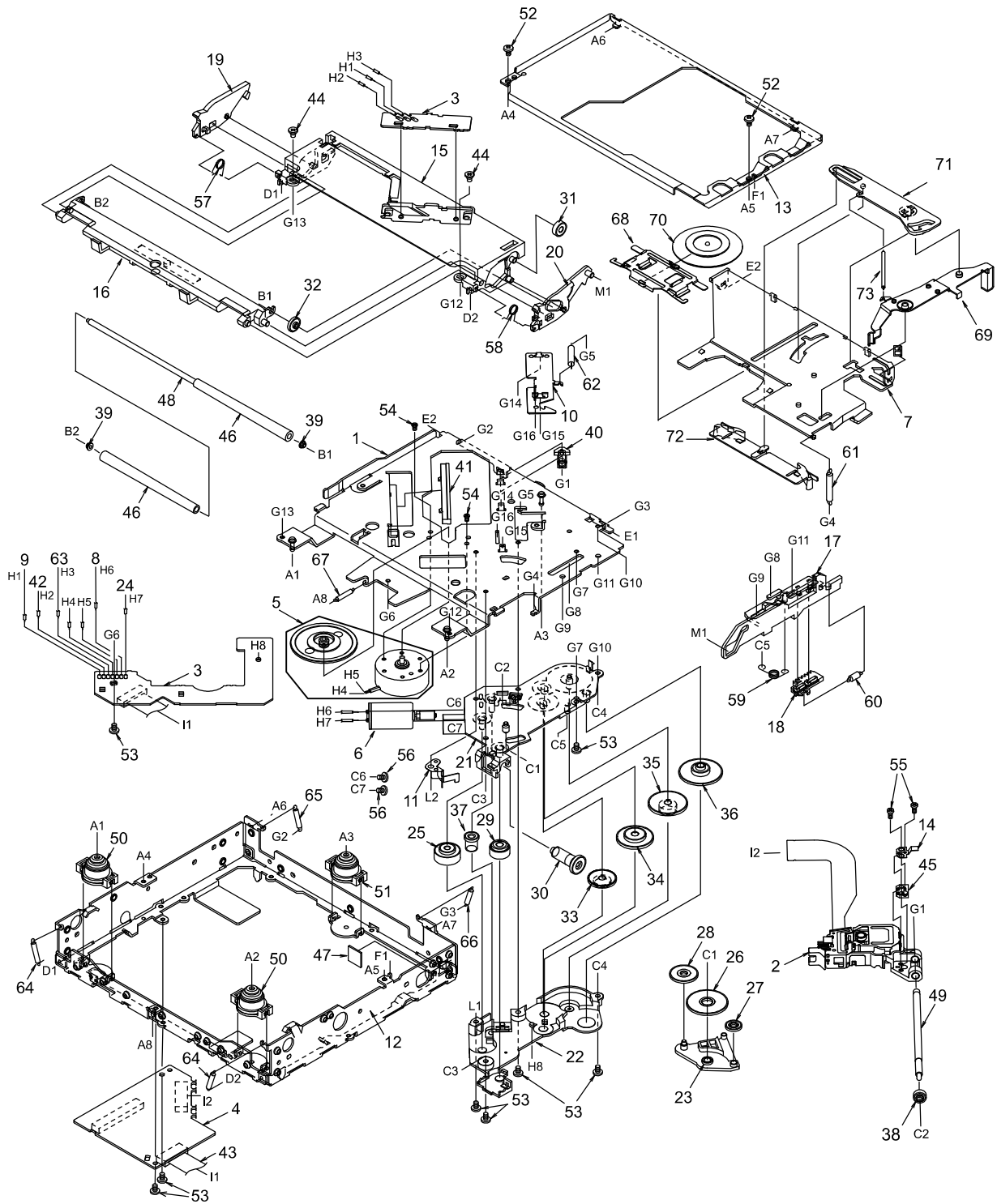
PN-2591M

NO.	PART NO.	DESCRIPTION	Q'TY
32	880-1917B	AM/FM TUNER	1
33	073-0762-90	TERMINAL	2
34	307-0683-05	REAR PLATE	1
35	313-1825-25	HEAT SINK	1
36	092-0702-00	ANT RECEPT	1
37	716-0878-00	IT SCREW(M2.6 x 5)	3
38	714-2606-81	MACHINE SCREW(M2.6 x 6)	16
39	714-2612-81	MACHINE SCREW(M2.6 x 12)	2
40	073-0774-00	TERMINAL	1
41	305-0316-00	SIDE PLATE(L)	1
42	305-0317-00	SIDE PLATE(R)	1
43	331-3624-00	ES-PLATE	1

NO.	PART NO.	DESCRIPTION	Q'TY
44	929-0220-83	CD MECHANISM	1
45	331-3254-10	MECH-BRACKET	1
46	816-2549-00	FLAT WIRE	1
47	311-1833-10	LOWER CASE	1
48	310-1739-10	UPPER CASE	1
49	286-9269-28 286-9269-29 286-9269-30	SETPLATE(PN-2591M-A) SETPLATE(PN-2591M-B) SETPLATE(PN-2591M-C)	1
50	714-2603-81	MACHINE SCREW(M2.6 x 3)	2
51	702-3008-81	TAP SCREW	2
52	347-5206-00	SHIELD SHEET	1
53	345-5325-00	CUSHION RUBBER	1



CD mechanism section



NO.	PART NO.	DESCRIPTION	Q'TY
1	966-0595-25	DRIVE PLATE ASSY	1
2	969-0060-30	PICK UP UNIT	1
3	039-1944-21	LED PWB (WITHOUT COMPONENT)	1
4	039-1945-20	CD PWB (WITHOUT COMPONENT)	1
5	SMA-182-100	MOTOR ASSY(SPINDELE)	1
6	SMA-183-100	MOTOR ASSY(SLED)	1
7	620-1022-25	CLAMPER LINK	1
8	803-4906-60	VINYL COAT WIRE(ORG)	1

NO.	PART NO.	DESCRIPTION	Q'TY
9	816-2591-00	LEAD WIRE(YEL)	1
10	620-1025-22	ID-LOCK PLATE	1
11	620-1026-21	SPRING PLATE	1
12	620-1027-26	LOWER CHASSIS	1
13	620-1028-23	UPPER CHASSIS	1
14	966-0638-20	SH-RACK ASSY	1
15	621-0598-27	UPPER GUIDE	1
16	621-0718-21	ROLLER GUIDE	1
17	621-0600-26	SHIFT LEVER	1

PN-2591M

NO.	PART NO.	DESCRIPTION	Q'TY	NO.	PART NO.	DESCRIPTION	Q'TY
18	621-0601-21	RACK	1	46	621-0629-20	LOADING ROLLER	2
19	621-0602-22	LOCK ARM L	1	47	345-8704-20	CUSHION RUBBER	1
20	621-0603-25	LOCK ARM R	1	48	622-1660-20	ROLLER SHAFT	1
21	621-0724-20	GEAR BASE	1	49	624-0018-01	LEAD SCREW	1
22	621-0605-22	GEAR COVER	1	50	629-0081-20	DAMPER F	2
23	621-0606-21	IDLE CASE	1	51	629-0082-20	DAMPER R	1
24	816-2590-00	VINYL COAT WIRE(GRN)	1	52	714-2003-81	MACHINE SCREW	2
25	621-0608-21	SECOND GEAR	1	53	716-1507-00	SCREW	9
26	621-0609-20	BASE GEAR	1	54	716-1733-00	SCREW	2
27	621-0610-20	IDLE GEAR A	1	55	716-3469-00	SCREW	2
28	621-0611-20	IDLE GEAR B	1	56	716-3446-00	SCREW	2
29	621-0612-21	ROLLER GEAR A	1	57	750-3465-21	ROLLER SPRING L	1
30	621-0613-20	ROLLER GEAR B	1	58	750-3466-20	ROLLER SPRING R	1
31	621-0614-20	ROLLER GEAR C	1	59	750-3467-21	SHIFT SPRING	1
32	621-0615-21	ROLLER GEAR D	1	60	750-3468-20	RACK SPRING	1
33	621-0616-20	POWER GEAR A	1	61	750-3469-20	CLAMPER SPRING	1
34	621-0617-20	POWER GEAR B	1	62	750-3470-20	ID-LOCK SPRING	1
35	621-0618-20	POWER GEAR C	1	63	816-2592-00	LEAD WIRE(BLU)	1
36	621-0619-20	POWER GEAR D	1	64	750-3472-21	DR-SPRING F	2
37	621-0620-20	THREAD GEAR A	1	65	750-3473-20	DR-SPRING RA	1
38	621-0621-20	THREAD GEAR B	1	66	750-3474-20	DR-SPRING RB	1
39	621-0622-21	ROLLER SLEEVE	2	67	750-3475-21	DR-SPRING C	1
40	621-0623-22	LS-HOLDER	1	68	620-1023-23	CLAMPER PLATE	1
41	621-0624-22	GUIDE RAIL	1	69	620-1024-23	SENSOR ARM	1
42	816-2593-00	LEAD WIRE(PUR)	1	70	621-0708-20	CLAMPER RING	1
43	816-2542-01	FLAT WIRE(10P)	1	71	621-0626-21	STOPPER LINK	1
44	716-3473-00	SCREW	2	72	621-0627-21	DISC STOPPER	1
45	621-0709-20	SH-BASE	1	73	750-3471-20	SENSOR SPRING	1

ELECTRICAL PARTS LIST

Note) Several different parts of the same reference number are alternative parts.
One of those parts is used in the set.

Main PWB section(B1)

Some parts depend on each model. The model name is specified in the description.

(M-A) : PN-2591M-A / (M-B) : PN-2591M-B / (M-C) : PN-2591M-C

REF No.	PART No.	DESCRIPTION	REF No.	PART No.	DESCRIPTION	REF No.	PART No.	DESCRIPTION
ANT101	092-0702-00	ANT RECEPT	C343	182-1063-39	16V10uF	C558	178-1242-78	0.12uF(M-A)
BL101	880-1917B	AM/FM TUNER	C344	182-1063-39	16V10uF	C558	178-2732-78	0.027uF(M-B)
C104	119-0000-05	1/16W 0 ohm JW	C345	182-1063-39	16V10uF	C559	166-2201-50	22pF CH(M-A,M-B)
C114	166-1007-50	10pF CH	C346	182-1063-39	16V10uF	C560	166-2201-50	22pF CH(M-A,M-B)
C115	043-0277-51	0.022uF	C401	168-2222-55	2200pF	C561	166-2201-50	22pF CH(M-A,M-B)
C117	043-0277-51	0.022uF	C402	168-2222-55	2200pF	C562	166-2201-50	22pF CH(M-A,M-B)
C118	168-1022-55	1000pF	C403	168-1022-55	1000pF	C563	178-8232-78	0.082uF(M-A)
C119	182-1073-29	10V100uF	C405	168-1022-55	1000pF	C563	117-0000-05	1/8W 0 ohm JW
C120	042-0458-90	50V1uF	C406	168-1022-55	1000pF			(M-B)
C122	182-1073-29	10V100uF	C407	168-1022-55	1000pF	C564	178-1242-78	0.12uF(M-A)
C123	182-1073-29	10V100uF	C408	168-2232-55	0.022uF	C564	178-2732-78	0.027uF(M-B)
C125	182-4763-39	16V47uF	C409	182-1063-39	16V10uF	C565	168-1032-55	0.01uF
C126	183-1056-68	50V1uF NP	C410	182-1063-39	16V10uF	C566	168-2232-55	0.022uF
C127	168-8222-55	8200pF	C411	182-1063-39	16V10uF	C567	168-1032-55	0.01uF
C128	168-4732-78	0.047uF	C412	182-1063-39	16V10uF	C568	178-6832-78	0.068uF(M-A)
C129	168-4732-78	0.047uF	C502	168-5612-55	560pF(M-A)	C568	178-2242-78	0.22uF(M-B)
C130	166-1201-50	12pF CH	C504	168-5612-55	560pF(M-A)	C568	178-3332-78	0.033uF(M-C)
C131	166-2201-50	22pF CH	C505	166-2201-50	22pF CH(M-A)	C569	178-6832-78	0.068uF(M-A)
C132	166-2201-50	22pF CH	C506	166-2201-50	22pF CH(M-A)	C569	178-2242-78	0.22uF(M-B)
C133	166-1501-50	15pF CH	C508	166-2201-50	22pF CH(M-A)	C569	178-3332-78	0.033uF(M-C)
C134	168-1022-55	1000pF	C509	166-2201-50	22pF CH(M-A)	C570	178-2242-78	0.22uF(M-A,M-B)
C135	168-1042-78	16V 0.1uF	C512	166-2201-50	22pF CH(M-A)	C570	178-3332-78	0.033uF(M-C)
C136	168-1042-78	16V 0.1uF	C513	166-2201-50	22pF CH(M-A)	C571	178-2242-78	0.22uF(M-A,M-B)
C137	166-2201-50	22pF CH	C515	166-2201-50	22pF CH(M-A)	C571	178-3332-78	0.033uF(M-C)
C139	166-1801-50	18pF CH	C516	166-2201-50	22pF CH(M-A)	C573	182-1053-69	50V1uF
C140	183-4763-39	16V47uF	C529	178-2242-78	0.22uF(M-A)	C574	183-2253-69	50V2.2uF
C141	168-2232-55	0.022uF	C530	178-5632-78	0.056uF(M-A)	C582	183-1053-69	50V1uF
C201	168-1022-55	1000pF	C531	178-4742-78	0.47uF(M-A)	C583	178-2242-78	0.22uF
C202	168-1022-55	1000pF	C531	178-1242-78	0.12uF(M-B)	C701	172-1041-15	0.1uF
C203	166-1011-50	100pF CH	C532	178-4742-78	0.47uF(M-A)	C702	042-0447-00	16V2200uF
C204	166-1011-50	100pF CH	C532	178-1242-78	0.12uF(M-B)	C703	168-2222-55	2200pF
C205	166-1011-50	100pF CH	C533	178-5632-78	0.056uF(M-A)	C704	168-2222-55	2200pF
C206	166-1011-50	100pF CH	C534	178-1842-78	0.18uF(M-A)	C705	168-2222-55	2200pF
C207	168-1022-55	1000pF	C535	178-3932-78	0.039uF(M-A)	C706	168-2222-55	2200pF
C210	166-1011-50	100pF CH	C535	178-5632-78	0.056uF(M-B)	C707	168-2222-55	2200pF
C211	166-1011-50	100pF CH	C536	178-3932-78	0.039uF(M-A)	C708	168-2222-55	2200pF
C213	184-3373-29	10V330uF	C536	178-5632-78	0.056uF(M-B)	C709	168-2222-55	2200pF
C214	168-1042-78	16V 0.1uF	C537	166-2201-50	22pF CH(M-A)	C710	168-2222-55	2200pF
C215	184-3373-29	10V330uF	C538	166-2201-50	22pF CH(M-A)	C712	172-1041-15	0.1uF
C216	168-1042-78	16V 0.1uF	C539	166-2201-50	22pF CH(M-A,M-B)	C713	182-1063-39	16V10uF
C217	042-0403-55	16V33uF	C540	166-2201-50	22pF CH(M-A,M-B)	C714	183-6843-69	50V0.68uF
C218	042-0403-55	16V33uF	C541	166-2201-50	22pF CH(M-A)	C715	168-2232-55	0.022uF
C219	168-1022-55	1000pF	C542	166-2201-50	22pF CH(M-A)	C716	178-1042-55	0.1uF
C301	168-4722-55	4700pF	C543	166-2201-50	22pF CH(M-A,M-B)	C802	182-4763-39	16V47uF
C303	183-4763-39	16V47uF	C544	166-2201-50	22pF CH(M-A,M-B)	C803	182-1063-39	16V10uF
C305	166-2201-50	22pF CH	C545	178-1832-78	0.018uF(M-A)	C804	182-4763-19	6.3V47uF
C306	184-2273-28	10V220uF	C546	178-1832-78	0.018uF(M-A)	C805	182-4763-19	6.3V47uF
C307	183-1063-39	16V10uF	C547	178-1032-78	0.01uF(M-A)	C806	182-1063-39	16V10uF
C315	182-2263-19	6.3V22uF	C547	178-3922-78	3900pF(M-B)	C807	182-1063-39	16V10uF
C316	182-1053-69	50V1uF	C548	178-1032-78	0.01uF(M-A)	C808	168-1042-78	16V 0.1uF
C317	168-1042-78	16V 0.1uF	C548	178-3922-78	3900pF(M-B)	C809	184-4773-39	16V470uF
C318	178-1042-78	0.1uF	C549	178-2232-78	0.022uF(M-A)	C810	183-4756-58	35V4.7uF NP
C319	178-1042-78	0.1uF	C550	178-3332-78	0.033uF(M-A)	C811	168-1042-78	16V 0.1uF
C320	168-1042-78	16V 0.1uF	C551	178-6832-78	0.068uF(M-A)	C812	168-1042-78	16V 0.1uF
C321	182-1053-69	50V1uF	C551	178-1232-78	0.012uF(M-B)	C813	183-1063-39	16V10uF
C322	178-3942-78	0.39uF	C552	178-6832-78	0.068uF(M-A)	C901	166-2201-50	22pF CH
C323	178-3942-78	0.39uF	C552	178-1232-78	0.012uF(M-B)	C902	166-2201-50	22pF CH
C325	182-1053-69	50V1uF	C553	178-8232-78	0.082uF(M-A)	C903	166-2201-50	22pF CH
C326	182-1053-69	50V1uF	C553	117-0000-05	1/8W 0 ohm JW	C904	166-2201-50	22pF CH
C328	182-1063-39	16V10uF			(M-B,M-C)	C905	166-2201-50	22pF CH
C329	182-1063-39	16V10uF	C554	178-8232-78	0.082uF(M-A)	C906	166-2201-50	22pF CH
C330	182-1063-39	16V10uF	C554	117-0000-05	1/8W 0 ohm JW	C907	168-1042-78	16V 0.1uF
C331	182-1063-39	16V10uF			(M-B,M-C)	C908	168-1042-78	16V 0.1uF
C332	178-1842-78	0.18uF	C555	178-1242-78	0.12uF(M-A)	C909	168-1042-78	16V 0.1uF
C333	178-1842-78	0.18uF	C555	178-2732-78	0.027uF(M-B)	C910	168-1042-78	16V 0.1uF
C334	178-1842-78	0.18uF	C555	117-0000-05	1/8W 0 ohm JW			
C335	178-1842-78	0.18uF			(M-C)	CCT201	050-0140-54	1/32W 1k ohm x4J
C336	168-8212-55	820pF	C556	178-1242-78	0.12uF(M-A)	CCT202	050-0140-54	1/32W 1k ohm x4J
C337	168-8212-55	820pF	C556	178-2732-78	0.027uF(M-B)	CCT203	050-0140-54	1/32W 1k ohm x4J
C338	168-8212-55	820pF	C556	117-0000-05	1/8W 0 ohm JW	CCT204	050-0140-54	1/32W 1k ohm x4J
C339	168-8212-55	820pF			(M-C)	CCT205	050-0140-54	1/32W 1k ohm x4J
C340	182-1063-39	16V10uF	C557	178-8232-78	0.082uF(M-A)	CCT206	050-0140-54	1/32W 1k ohm x4J
C341	182-1063-39	16V10uF	C557	117-0000-05	1/8W 0 ohm JW	CCT207	050-0140-54	1/32W 1k ohm x4J
C342	168-1832-55	0.018uF			(M-B)	CCT208	050-0140-54	1/32W 1k ohm x4J
						CCT209	050-0140-54	1/32W 1k ohm x4J

REF No.	PART No.	DESCRIPTION	REF No.	PART No.	DESCRIPTION	REF No.	PART No.	DESCRIPTION
CCT210	050-0140-54	1/32W 1k ohm x4J	R119	111-1001-98	1/4W 10 ohm	R421	032-0106-64	1/10W 56k ohm D
CCT211	050-0140-54	1/32W 1k ohm x4J	R120	111-2221-98	1/4W 2.2k ohm	R422	119-4731-15	1/10W 47k ohm
CCT212	050-0140-54	1/32W 1k ohm x4J	R121	111-1031-98	1/4W 10k ohm	R423	119-1031-15	1/10W 10k ohm
CCT213	050-0140-54	1/32W 1k ohm x4J	R122	119-1021-15	1/10W 1k ohm	R424	119-5631-15	1/10W 56k ohm
CCT214	050-0140-54	1/32W 1k ohm x4J	R123	111-1031-98	1/4W 10k ohm	R425	119-5621-15	1/10W 5.6k ohm
D401	001-0422-38	MTZJ36	R124	111-2221-98	1/4W 2.2k ohm	R426	116-8211-15	1/4W 820 ohm
D402	001-0589-91	1SS145	R126	119-8201-15	1/10W 82 ohm	R501	119-3331-15	1/10W 33k ohm (M-A)
D403	001-0589-91	1SS145	R128	119-4721-15	1/10W 4.7k ohm	R501	119-1031-15	1/10W 10k ohm (M-B)
D404	001-0347-44	MA4082M	R129	119-4721-15	1/10W 4.7k ohm	R501	119-0000-05	1/10W 0 ohm JW (M-C)
D405	001-0589-91	1SS145	R130	119-4731-15	1/10W 47k ohm	R502	119-3331-15	1/10W 33k ohm (M-A)
D406	001-0529-72	MA8200-M	R198	119-0000-05	1/10W 0 ohm JW	R502	119-1031-15	1/10W 10k ohm (M-B)
D407	001-0529-72	MA8200-M	R199	119-0000-05	1/10W 0 ohm JW	R502	119-0000-05	1/10W 0 ohm JW (M-C)
D701	001-2015-00	RL253	R201	119-1021-15	1/10W 1k ohm	R503	119-3331-15	1/10W 33k ohm (M-A)
D703	001-0347-34	MA4062L	R202	119-1021-15	1/10W 1k ohm	R503	119-1031-15	1/10W 10k ohm (M-B)
D704	001-0466-90	S5688B	R203	119-1031-15	1/10W 10k ohm	R503	119-0000-05	1/10W 0 ohm JW (M-C)
D802	001-0347-48	MA4091H	R204	119-0000-05	1/10W 0 ohm JW	R503	119-3331-15	1/10W 33k ohm (M-A)
D803	001-0516-90	MA111	R205	119-1031-15	1/10W 10k ohm	R503	119-0000-05	1/10W 0 ohm JW (M-B,M-C)
D804	001-0504-31	HZS6 A2L	R206	119-4731-15	1/10W 47k ohm	R504	119-3331-15	1/10W 33k ohm (M-A)
D806	001-0504-31	HZS6 A2L	R207	119-4731-15	1/10W 47k ohm	R504	119-0000-05	1/10W 0 ohm JW (M-B,M-C)
D808	001-0504-45	HZS9B1L	R208	119-4731-15	1/10W 47k ohm	R505	119-2231-15	1/10W 22k ohm (M-A)
D810	001-0347-46	MA4091L	R209	119-1041-15	1/10W 100k ohm	R505	119-3331-15	1/10W 33k ohm (M-B)
IC102	051-6212-08	LC72191JM-TLM	R210	119-1041-15	1/10W 100k ohm	R506	119-2231-15	1/10W 22k ohm (M-A)
IC201	052-3180-00	M30620MCA-1N2GP	R211	119-4731-15	1/10W 47k ohm	R507	119-2231-15	1/10W 22k ohm (M-A)
IC202	051-5436-08	S-80933ANMP-DDX	R212	119-4731-15	1/10W 47k ohm	R507	119-3331-15	1/10W 33k ohm (M-B)
IC301	051-3020-90	NJM4565V	R214	119-4731-15	1/10W 47k ohm	R508	119-2231-15	1/10W 22k ohm (M-A)
IC302	051-5027-00	LC75412WH	R215	119-4731-15	1/10W 47k ohm	R510	119-2731-15	1/10W 27k ohm (M-A)
IC501	051-3019-90	NJM2060V(M-A)	R216	119-4731-15	1/10W 47k ohm	R512	119-2731-15	1/10W 27k ohm (M-A)
IC503	051-3019-90	NJM2060V(M-A)	R221	119-4731-15	1/10W 47k ohm	R513	119-4721-15	1/10W 4.7k ohm (M-A)
IC504	051-3019-90	NJM2060V (M-A,M-B)	R222	119-4731-15	1/10W 47k ohm	R514	119-1031-15	1/10W 10k ohm (M-A)
IC505	051-3019-90	NJM2060V (M-A,M-B)	R223	119-1031-15	1/10W 10k ohm	R515	119-1031-15	1/10W 10k ohm (M-A)
IC506	051-2042-00	TA8275H	R224	119-1031-15	1/10W 10k ohm	R516	119-4721-15	1/10W 4.7k ohm (M-A)
IC701	051-5418-08	S-80827ANMP-EDQ	R225	119-1031-15	1/10W 10k ohm	R521	119-4721-15	1/10W 4.7k ohm (M-A)
IC901	051-3020-90	NJM4565V	R226	119-4731-15	1/10W 47k ohm	R522	119-4721-15	1/10W 4.7k ohm (M-A)
J201	074-1191-26	26P	R227	119-4731-15	1/10W 47k ohm	R523	119-1031-15	1/10W 10k ohm (M-A)
J701	074-1068-11	NS10+6	R228	119-1021-15	1/10W 1k ohm	R524	119-1031-15	1/10W 10k ohm (M-A)
L104	010-2003-04	COIL	R229	119-4731-15	1/10W 47k ohm	R525	119-2221-15	1/10W 2.2k ohm (M-A)
L105	010-6009-76	22uH	R232	119-2231-15	1/10W 22k ohm	R526	119-2221-15	1/10W 2.2k ohm (M-B)
L202	010-6009-64	2.2uH	R233	119-4731-15	1/10W 47k ohm	R526	119-0000-05	1/10W 0 ohm JW (M-C)
L701	009-0670-01	CHOKE	R234	119-4731-15	1/10W 47k ohm	R527	119-2221-15	1/10W 2.2k ohm (M-B)
P401	076-0544-12	12P	R235	119-1031-15	1/10W 10k ohm	R527	119-0000-05	1/10W 0 ohm JW (M-C)
P701	076-0648-20	20P	R236	119-4731-15	1/10W 47k ohm	R528	119-2221-15	1/10W 2.2k ohm (M-A)
Q106	190-1150-00	2SA1150	R237	119-4731-15	1/10W 47k ohm	R529	119-2221-15	1/10W 2.2k ohm (M-A)
Q107	125-2004-92	RN1402	R239	119-4731-15	1/10W 47k ohm	R530	119-0000-05	1/10W 0 ohm JW (M-B,M-C)
Q108	190-1150-00	2SA1150	R240	119-1041-15	1/10W 100k ohm	R531	119-0000-05	1/10W 0 ohm JW (M-B,M-C)
Q202	192-2712-51	2SC2712G,L	R242	119-4721-15	1/10W 4.7k ohm	R532	119-2221-15	1/10W 2.2k ohm (M-A)
Q203	192-2712-51	2SC2712G,L	R245	119-1031-15	1/10W 10k ohm			
Q401	192-2712-00	2SC2712	R301	119-1021-15	1/10W 1k ohm			
Q402	125-9006-90	IMX1	R302	119-1021-15	1/10W 1k ohm			
Q403	125-2004-92	RN1402	R308	119-4731-15	1/10W 47k ohm			
Q404	125-0002-92	RN2402	R310	119-4731-15	1/10W 47k ohm			
Q407	193-0601-00	2SD601A	R334	119-1021-15	1/10W 1k ohm			
Q408	125-9003-92	IMD3	R335	119-1021-15	1/10W 1k ohm			
Q409	125-9003-92	IMD3	R338	119-4741-15	1/10W 470k ohm			
Q701	192-2712-00	2SC2712	R339	119-4731-15	1/10W 47k ohm			
Q801	193-2118-00	2SD2118	R340	119-0000-05	1/10W 0 ohm JW			
Q802	125-2004-92	RN1402	R342	119-4721-15	1/10W 4.7k ohm			
Q803	190-1150-00	2SA1150	R343	119-4721-15	1/10W 4.7k ohm			
Q804	125-2004-92	RN1402	R346	119-4721-15	1/10W 4.7k ohm			
Q805	125-0002-92	RN2402	R347	119-4721-15	1/10W 4.7k ohm			
Q806	193-1858-00	2SD1858	R401	119-4731-15	1/10W 47k ohm			
Q811	193-2118-00	2SD2118	R402	116-8211-15	1/4W 820 ohm			
Q812	125-9003-92	IMD3	R403	116-8211-15	1/4W 820 ohm			
Q813	103-2012-00	2SD2012	R404	116-8211-15	1/4W 820 ohm			
Q814	125-9003-92	IMD3	R405	119-1021-15	1/10W 1k ohm			
Q816	193-2118-00	2SD2118	R406	119-5621-15	1/10W 5.6k ohm			
Q817	193-1306-00	2SD1306	R407	119-5621-15	1/10W 5.6k ohm			
Q818	192-2712-00	2SC2712	R408	119-5631-15	1/10W 56k ohm			
Q819	125-9003-92	IMD3(M-A,M-B)	R409	119-5631-15	1/10W 56k ohm			
R111	119-2221-15	1/10W 2.2k ohm	R410	119-1031-15	1/10W 10k ohm			
R112	119-2221-15	1/10W 2.2k ohm	R411	119-1031-15	1/10W 10k ohm			
R113	119-3321-15	1/10W 3.3k ohm	R412	119-5631-15	1/10W 56k ohm			
R114	111-2701-98	1/4W 27 ohm	R413	119-1031-15	1/10W 10k ohm			
R115	119-2221-15	1/10W 2.2k ohm	R414	119-3011-15	1/10W 300 ohm			
R116	111-1501-98	1/4W 15 ohm	R415	119-3011-15	1/10W 300 ohm			
R117	119-4721-15	1/10W 4.7k ohm	R416	119-4731-15	1/10W 47k ohm			
R118	119-4741-15	1/10W 470k ohm	R417	119-2231-15	1/10W 22k ohm			
			R418	032-0106-64	1/10W 56k ohm D			
			R419	032-0106-64	1/10W 56k ohm D			
			R420	032-0106-64	1/10W 56k ohm D			

REF No.	PART No.	DESCRIPTION	REF No.	PART No.	DESCRIPTION	REF No.	PART No.	DESCRIPTION
R549	119-1521-15	1/10W 1.5k ohm (M-A)	R574	119-0000-05	1/10W 0 ohm JW (M-C)	R595	119-5631-15	1/10W 56k ohm (M-A,M-C)
R550	119-1521-15	1/10W 1.5k ohm (M-A)	R575	119-1021-15	1/10W 1k ohm (M-A)	R595	119-1821-15	1/10W 1.8k ohm (M-B)
R551	119-1021-15	1/10W 1k ohm (M-A)	R575	119-8221-15	1/10W 8.2k ohm (M-B)	R596	119-5631-15	1/10W 56k ohm (M-A,M-C)
R551	119-2221-15	1/10W 2.2k ohm (M-B)	R576	119-1021-15	1/10W 1k ohm (M-A)	R596	119-1821-15	1/10W 1.8k ohm (M-B)
R552	119-1021-15	1/10W 1k ohm (M-A)	R576	119-8221-15	1/10W 8.2k ohm (M-B)	R597	119-5631-15	1/10W 56k ohm (M-A,M-C)
R552	119-2221-15	1/10W 2.2k ohm (M-B)	R577	119-1031-15	1/10W 10k ohm (M-A,M-B)	R597	119-2731-15	1/10W 27k ohm (M-B)
R553	119-1511-15	1/10W 150 ohm (M-A)	R578	119-1031-15	1/10W 10k ohm (M-A,M-B)	R598	119-5631-15	1/10W 56k ohm (M-A,M-C)
R554	119-1511-15	1/10W 150 ohm (M-A)	R579	119-5131-15	1/10W 51k ohm (M-A,M-B)	R598	119-2731-15	1/10W 27k ohm (M-B)
R555	119-1511-15	1/10W 150 ohm (M-A,M-B)	R580	119-5131-15	1/10W 51k ohm (M-A,M-B)	R599	119-4721-15	1/10W 4.7k ohm
R556	119-1511-15	1/10W 150 ohm (M-A,M-B)	R581	119-5131-15	1/10W 51k ohm (M-A,M-B)	R619	119-4721-15	1/10W 4.7k ohm
R557	119-1541-15	1/10W 150k ohm (M-A)	R582	119-5131-15	1/10W 51k ohm (M-A,M-B)	R701	119-1031-15	1/10W 10k ohm
R558	119-1541-15	1/10W 150k ohm (M-A)	R583	119-1031-15	1/10W 10k ohm (M-A,M-B)	R702	119-5611-15	1/10W 560 ohm
R559	119-1541-15	1/10W 150k ohm (M-A,M-B)	R584	119-1031-15	1/10W 10k ohm (M-A,M-B)	R703	111-1531-98	1/4W 15k ohm
R560	119-1541-15	1/10W 150k ohm (M-A,M-B)	R585	119-1831-15	1/10W 18k ohm (M-A,M-C)	R704	114-2291-11	1W 2.2 ohm
R561	119-1541-15	1/10W 150k ohm (M-A)	R585	119-8231-15	1/10W 82k ohm (M-B)	R705	119-2731-15	1/10W 27k ohm
R562	119-1541-15	1/10W 150k ohm (M-A)	R586	119-1021-15	1/10W 1k ohm (M-A)	R706	119-4731-15	1/10W 470 ohm
R563	119-1541-15	1/10W 150k ohm (M-A,M-B)	R586	119-8221-15	1/10W 8.2k ohm (M-B)	R803	111-4711-98	1/4W 470 ohm
R564	119-1541-15	1/10W 150k ohm (M-A,M-B)	R587	119-1021-15	1/10W 1k ohm (M-A)	R804	111-1021-98	1/4W 1k ohm
R565	119-1511-15	1/10W 150 ohm (M-A)	R587	119-8221-15	1/10W 8.2k ohm (M-B)	R805	119-2231-15	1/10W 22k ohm
R566	119-1511-15	1/10W 150 ohm (M-A)	R588	119-2231-15	1/10W 22k ohm (M-A)	R806	119-4741-15	1/10W 470k ohm
R567	119-1511-15	1/10W 150 ohm (M-A,M-B)	R588	119-0000-05	1/10W 0 ohm JW (M-C)	R807	119-2231-15	1/10W 22k ohm
R568	119-1511-15	1/10W 150 ohm (M-A,M-B)	R589	119-1831-15	1/10W 18k ohm (M-A)	R810	116-2211-15	1/4W 220 ohm
R569	119-1021-15	1/10W 1k ohm (M-A)	R589	119-6831-15	1/10W 68k ohm (M-B)	R814	111-2211-98	1/4W 220 ohm
R570	119-1521-15	1/10W 1.5k ohm (M-A)	R589	119-0000-05	1/10W 0 ohm JW (M-C)	R815	119-1041-15	1/10W 100k ohm
R571	119-1221-15	1/10W 1.2k ohm (M-A)	R590	119-1021-15	1/10W 1k ohm (M-A)	R818	111-3911-98	1/4W 390 ohm
R571	119-1521-15	1/10W 1.5k ohm (M-B)	R591	119-2221-15	1/10W 2.2k ohm (M-A,M-C)	R819	119-1041-15	1/10W 100k ohm
R572	119-1221-15	1/10W 1.2k ohm (M-A)	R591	119-1031-15	1/10W 10k ohm (M-B)	R825	111-1801-98	1/4W 18 ohm
R572	119-1521-15	1/10W 1.5k ohm (M-B)	R592	119-2221-15	1/10W 2.2k ohm (M-A,M-C)	R826	119-5611-15	1/10W 560 ohm
R573	119-2231-15	1/10W 22k ohm (M-A)	R592	119-1031-15	1/10W 10k ohm (M-B)	R827	119-4721-15	1/10W 4.7k ohm
R573	119-0000-05	1/10W 0 ohm JW (M-C)	R593	119-2221-15	1/10W 2.2k ohm (M-A,M-C)	R828	111-1831-98	1/4W 18k ohm
R574	119-1831-15	1/10W 18k ohm (M-A)	R593	119-1031-15	1/10W 10k ohm (M-B)	R829	111-1801-98	1/4W 18 ohm
R574	119-6831-15	1/10W 68k ohm (M-B)	R594	119-2221-15	1/10W 2.2k ohm (M-A,M-C)	R831	111-8211-98	1/4W 820 ohm (M-A,M-B)
			R594	119-1031-15	1/10W 10k ohm (M-B)	R832	111-8211-98	1/4W 820 ohm (M-A,M-B)
						R833	111-3911-98	1/4W 390 ohm
						R901	119-1531-15	1/10W 15k ohm
						R902	119-1531-15	1/10W 15k ohm
						R903	119-1531-15	1/10W 15k ohm
						R904	119-1531-15	1/10W 15k ohm
						R905	119-1031-15	1/10W 10k ohm
						R906	119-1031-15	1/10W 10k ohm
						R907	119-1031-15	1/10W 10k ohm
						R908	119-1031-15	1/10W 10k ohm
						R909	119-1031-15	1/10W 10k ohm
						R910	119-1031-15	1/10W 10k ohm
						SUP101	060-0122-10	DSP-201M-S00B
						TC101	004-1580-60	30pF
						TM101	073-0762-90	TERMINAL
						TM801	073-0762-90	TERMINAL
						VR102	012-5203-56	10k ohm
						X101	061-1066-00	7.2MHz
						X201	060-1505-50	10MHz

Switch PWB section(B2)

REF No.	PART No.	DESCRIPTION	REF No.	PART No.	DESCRIPTION	REF No.	PART No.	DESCRIPTION
C1101	166-8211-50	820pF	D1100	001-7048-96	RAY1112H-75M	D1115	001-7048-96	RAY1112H-75M
C1102	168-4732-78	0.047uF	D1101	001-7048-96	RAY1112H-75M	D1116	001-7048-96	RAY1112H-75M
C1103	168-4732-78	0.047uF	D1102	001-7048-96	RAY1112H-75M	D1117	001-7063-91	RAY1102W
C1104	168-1042-78	16V 0.1uF	D1103	001-7048-96	RAY1112H-75M	D1118	001-7063-91	RAY1102W
C1105	042-0416-59	10V33uF	D1104	001-7048-96	RAY1112H-75M	D1119	001-7063-91	RAY1102W
D135	001-0529-72	MA8200-M	D1105	001-7048-96	RAY1112H-75M	D1120	001-7063-91	RAY1102W
D136	001-0529-72	MA8200-M	D1106	001-7048-96	RAY1112H-75M	D1121	001-7063-91	RAY1102W
D137	001-0529-72	MA8200-M	D1107	001-7048-96	RAY1112H-75M	D1122	001-7063-91	RAY1102W
D138	001-0529-72	MA8200-M	D1114	001-7048-96	RAY1112H-75M	D1123	001-7063-91	RAY1102W

REF No.	PART No.	DESCRIPTION	REF No.	PART No.	DESCRIPTION	REF No.	PART No.	DESCRIPTION
D1124	001-7063-91	RAY1102W	D1157	001-0529-32	MA8056-M	R1114	116-5611-15	1/4W 560 ohm
D1125	001-7063-91	RAY1102W	D1158	001-0529-32	MA8056-M	R1115	116-5611-15	1/4W 560 ohm
D1126	001-7063-91	RAY1102W	D1159	001-0529-32	MA8056-M	S1101	013-6302-50	SKQMAL
D1127	001-7063-91	RAY1102W	D1160	001-0529-32	MA8056-M	S1102	013-6302-50	SKQMAL
D1128	001-7063-91	RAY1102W	IC1101	051-6064-00	LC75883W	S1103	013-6302-50	SKQMAL
D1129	001-7063-91	RAY1102W	J1101	074-1279-70	20P	S1104	013-6302-50	SKQMAL
D1130	001-7063-91	RAY1102W	J1102	075-0306-00	JACK	S1105	013-6302-50	SKQMAL
D1131	001-7063-91	RAY1102W	LCD1101	379-1268-30	LCD	S1106	013-6302-50	SKQMAL
D1132	001-7063-91	RAY1102W	P1101	076-0478-55	PLUG	S1107	013-6302-50	SKQMAL
D1133	001-7063-91	RAY1102W	R1101	119-6831-15	1/10W 68k ohm	S1109	013-6302-50	SKQMAL
D1134	001-7063-91	RAY1102W	R1102	119-3911-15	1/10W 390 ohm	S1110	013-6302-50	SKQMAL
D1145	001-0516-90	MA111	R1103	119-3911-15	1/10W 390 ohm	S1111	013-6302-50	SKQMAL
D1146	001-0516-90	MA111	R1104	119-3911-15	1/10W 390 ohm	S1112	013-6302-50	SKQMAL
D1147	001-0516-90	MA111	R1105	119-3911-15	1/10W 390 ohm	S1114	013-6302-50	SKQMAL
D1148	001-0516-90	MA111	R1109	116-5611-15	1/4W 560 ohm	S1115	013-6302-50	SKQMAL
D1152	001-0529-32	MA8056-M	R1110	116-5611-15	1/4W 560 ohm	S1116	013-6302-50	SKQMAL
D1153	001-0529-32	MA8056-M	R1111	116-5611-15	1/4W 560 ohm	S1117	013-6302-50	SKQMAL
D1154	001-0529-32	MA8056-M	R1112	116-5611-15	1/4W 560 ohm	S1121	013-6302-50	SKQMAL
D1155	001-0529-32	MA8056-M	R1113	116-5611-15	1/4W 560 ohm			

Sub PWB section(B3)

REF No.	PART No.	DESCRIPTION	REF No.	PART No.	DESCRIPTION
J1001	074-1013-30	OUTLET SOCKET	P1001	076-0544-12	12P

CD PWB section(B4) : CD mechanism

REF No.	PART No.	DESCRIPTION	REF No.	PART No.	DESCRIPTION	REF No.	PART No.	DESCRIPTION
C101	168-1042-78	0.1uF	C207	043-0533-50	0.047uF	R108	033-1531-15	1/16W 15k ohm
C102	045-4701-50	47pF	C208	046-6822-58	6800pF	R109	033-1031-15	1/16W 10k ohm
C103	046-4722-58	4700pF	C209	168-1042-78	0.1uF	R110	033-1051-15	1/16W 1M ohm
C104	168-1042-78	0.1uF	C210	043-0533-50	0.047uF	R111	033-3321-15	1/16W 3.3k ohm
C105	046-1532-78	0.015uF	C211	168-1042-78	0.1uF	R114	033-2211-15	1/16W 220 ohm
C106	046-1032-78	0.01uF	C212	168-1042-78	0.1uF	R115	033-2211-15	1/16W 220 ohm
C107	046-1032-78	0.01uF	C213	045-5096-50	5pF	R116	033-1031-15	1/16W 10k ohm
C108	046-4722-58	4700pF	C214	045-5601-50	56pF	R117	033-1021-15	1/16W 1k ohm
C109	046-1522-58	1500pF	C215	043-0533-50	0.047uF	R131	033-4711-15	1/16W 470 ohm
C110	046-3332-78	0.033uF	C216	178-1052-78	1uF	R132	033-2211-15	1/16W 220 ohm
C111	168-1042-78	0.1uF	C217	045-1011-50	100pF	R201	117-2201-15	1/10W 22 ohm
C112	046-3332-78	0.033uF	C301	163-1073-35	16V100uF	R202	117-2201-15	1/10W 22 ohm
C113	168-1042-78	0.1uF	C302	168-1042-78	0.1uF	R203	033-1041-15	1/16W 100k ohm
C114	168-1042-78	0.1uF	C303	043-0533-50	0.047uF	R204	033-1041-15	1/16W 100k ohm
C115	046-4712-58	470pF	CCT1	050-0140-54	1k ohm x 4	R205	033-1041-15	1/16W 100k ohm
C116	046-4712-58	470pF	D201	001-0516-90	MA111	R206	033-1041-15	1/16W 100k ohm
C117	043-0533-50	0.047uF	IC101	051-6376-00	TC94A14FA	R207	033-1041-15	1/16W 100k ohm
C118	043-0533-50	0.047uF	IC102	051-3279-90	BA033LBSG	R208	033-8231-15	1/16W 82k ohm
C119	045-2701-50	27pF	IC201	051-5710-90	TA2157F	R209	033-6811-15	1/16W 680 ohm
C120	045-1801-50	18pF	IC301	051-6049-08	BA5983FP-E2	R210	033-6831-15	1/16W 68k ohm
C121	163-1063-35	16V10uF	J101	074-1228-76	26P	R211	033-1831-15	1/16W 18k ohm
C122	178-1052-78	1uF	J201	074-1138-65	15P	R212	033-2721-15	1/16W 2.7k ohm
C123	046-1032-78	0.01uF	J301	074-1138-60	10P	R213	033-1011-15	1/16W 100 ohm
C124	163-1073-05	4V100uF	L101	010-2285-57	BLM21B102SPT	R214	033-1021-15	1/16W 1k ohm
C125	168-1042-78	0.1uF	L102	010-2285-57	BLM21B102SPT	R215	033-1031-15	1/16W 10k ohm
C126	168-1042-78	0.1uF	L103	010-2285-57	BLM21B102SPT	R217	033-1041-15	1/16W 100k ohm
C129	178-1052-78	1uF	L104	010-2285-57	BLM21B102SPT	R218	033-2211-15	1/16W 220 ohm
C201	163-3363-05	4V33uF	L105	010-2285-57	BLM21B102SPT	R301	117-6811-15	1/16W 680 ohm
C202	168-1042-78	0.1uF	L401	010-3050-93	10uH	R304	033-3921-15	1/16W 3.9k ohm
C203	178-1052-78	1uF	Q201	131-1188-50	2SB1188	R305	033-3921-15	1/16W 3.9k ohm
C204	163-1073-05	4V100uF	R102	033-5621-15	1/16W 5.6k ohm	R306	033-1041-15	1/16W 100k ohm
C205	163-3363-05	4V33uF	R104	033-4731-15	1/16W 47k ohm	R307	033-2211-15	1/16W 220 ohm
C206	168-1042-78	0.1uF	R105	033-1041-15	1/16W 100k ohm	X102	060-1528-90	16.934M

LED PWB section(B5) : CD mechanism

REF No.	PART No.	DESCRIPTION	REF No.	PART No.	DESCRIPTION	REF No.	PART No.	DESCRIPTION
D1	001-7058-90	AN1105W-RR	Q1	060-4015-90	PS1192H	S1	013-7414-50	CHUCKING
D2	001-7058-90	AN1105W-RR	Q2	060-4015-90	PS1192H	S2	013-7413-50	LIMIT
J1	074-1138-60	10P						