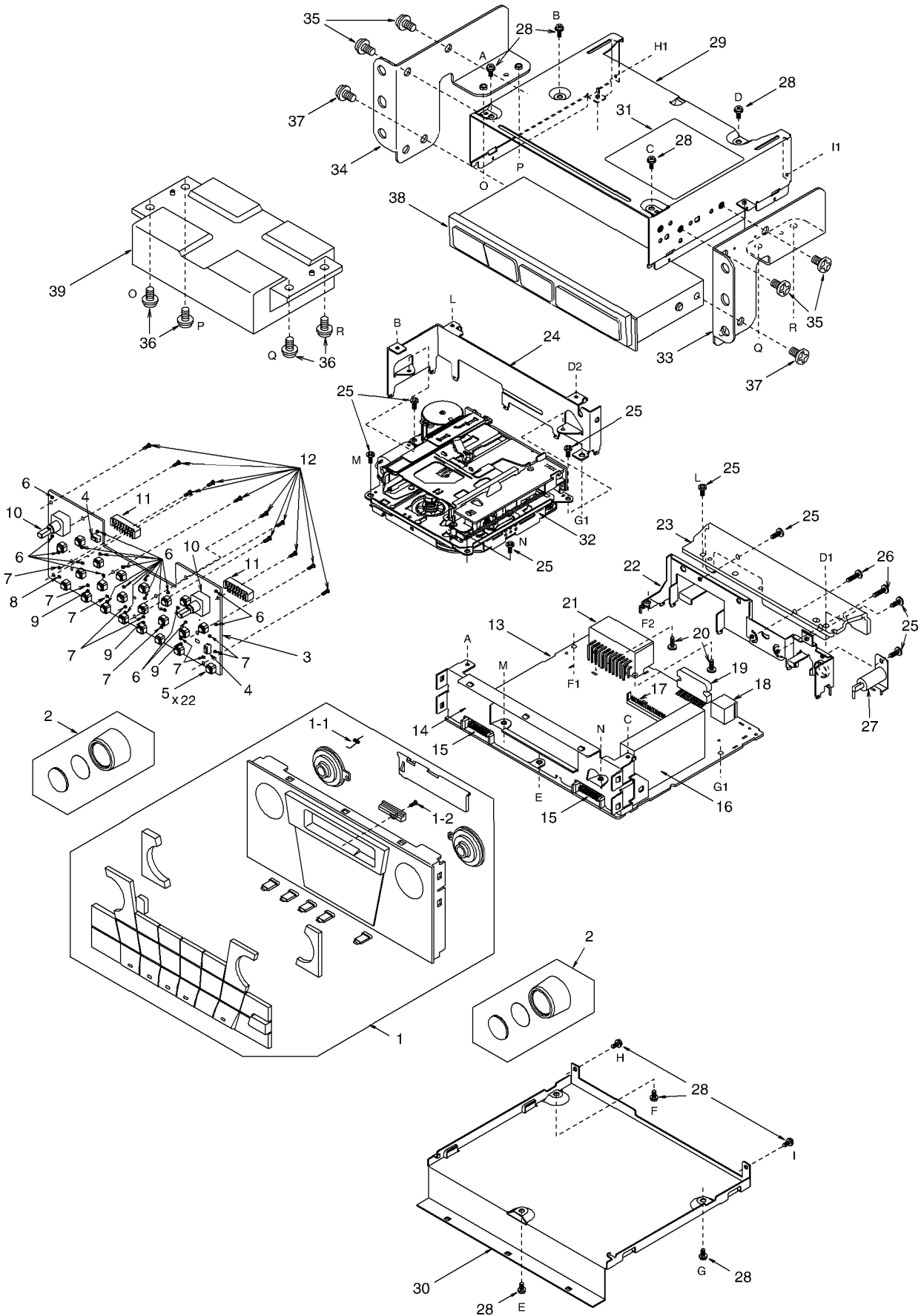


# EXPLODED VIEW • PARTS LIST

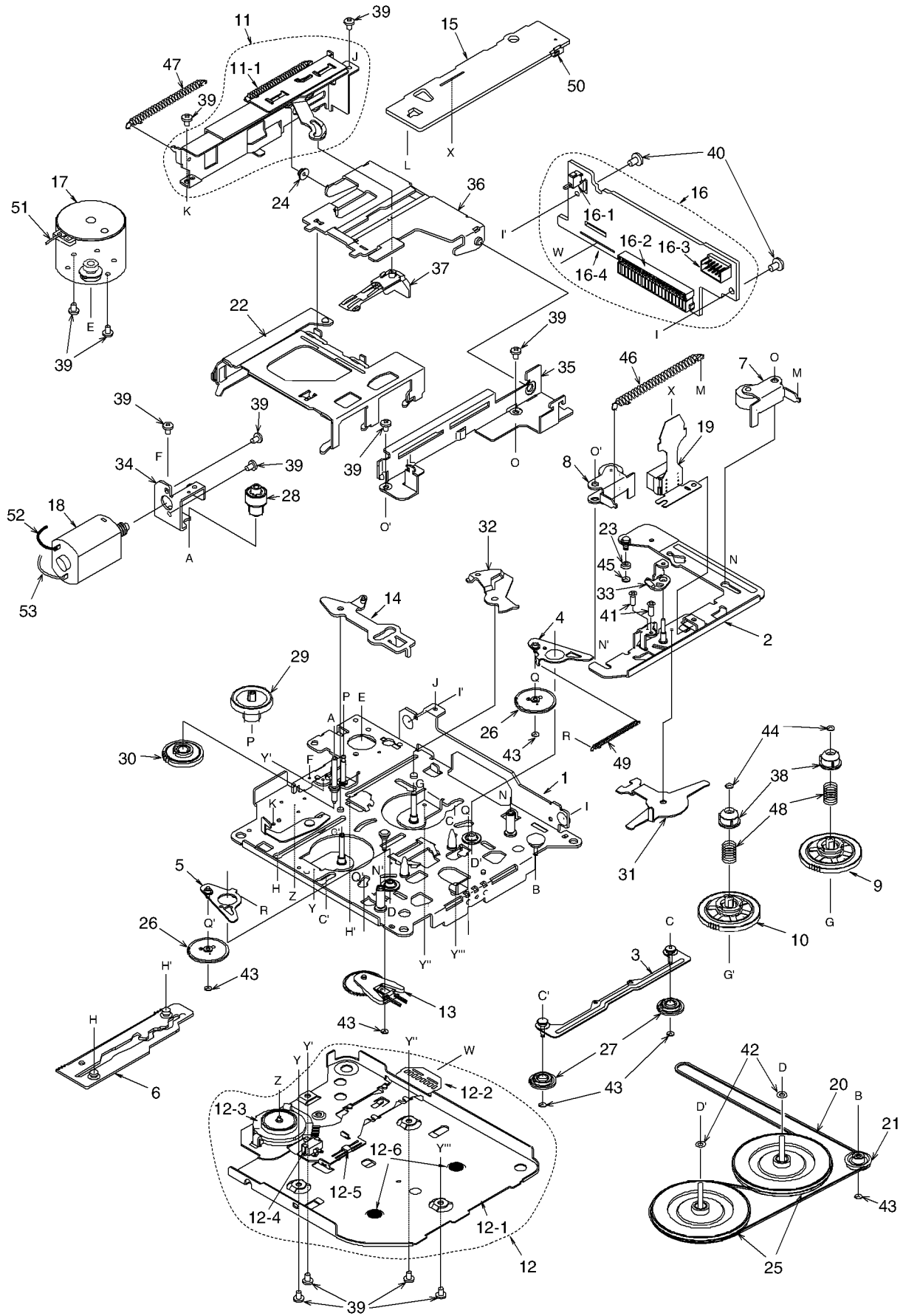
Main section



Note)Several different parts of the same reference number are alternative parts.  
One of those parts is used in the set.

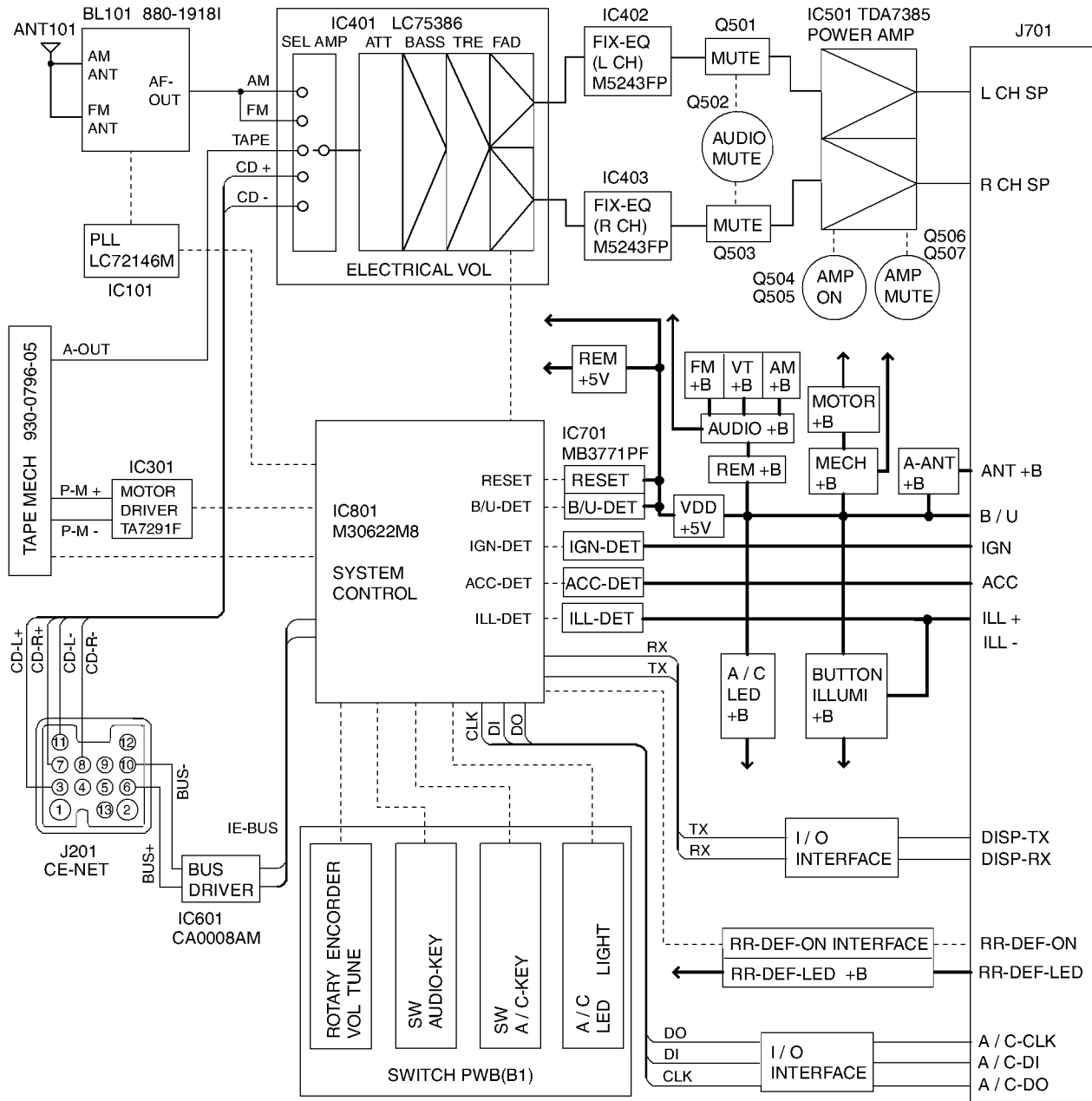
NO.	PART NO.	DESCRIPTION	Q'TY	NO.	PART NO.	DESCRIPTION	Q'TY
1	940-7923-00	ESCUTCHEON ASSY	1	22	307-0668-00	REAR PLATE	1
1-1	750-2626-00	SPRING	1	23	313-1800-00	HEAT SINK	1
1-2	716-0872-00	PAD SCREW(M1.7×5 SILVER)	1	24	331-3008-00	MECHANISM BRACKET	1
2	947-0506-00	KNOB ASSY	2	25	714-2606-81	MACHINE SCREW(M2.6×6)	8
3	039-1868-00	SWITCH PWB (WITHOUT COMPONENT)	1	26	714-2610-81	MACHINE SCREW(M2.6×10)	2
4	013-6302-51	SWITCH	2	27	092-0702-00	ANT RECEPT	1
5	013-6201-50	SWITCH	22	28	716-1494-00	IT SCREW(M2.6×6)	9
6	001-7043-06	DIODE(CL-170D-CD)	20	29	310-1716-00	UPPER CASE	1
7	001-7043-07	DIODE(CL-170G-CD)	10	30	311-1810-00	LOWER CASE	1
8	001-7031-08	DIODE(EB1112H-31)	1	31	286-9563-00 286-9563-01 286-9563-03	SETPLATE(1694M-A) SETPLATE(1731M-A) SETPLATE(1694M-B)	1
9	001-7038-82	DIODE(CL-221G)	3	32	930-0796-05	TAPE MECHANISM	1
10	016-0014-06	VARIABLE RESISTOR	2	33	300-7834-01	MTG BRACKET(R) (1694M-A,1731M-A)	1
11	074-1151-16	OUTLET SOCKET(16P)	2	34	300-7835-00	MTG BRACKET(L) (1694M-A,1731M-A)	1
12	716-0778-00	WAVE SCREW( $\phi$ 2×6)	11	35	714-5006-81	MACHINE SCREW(M5×6) (1694M-A,1731M-A)	4
13	039-1867-01	MAIN PWB (WITHOUT COMPONENT)	1	36	716-1561-00	IT SCREW(M5×8) (1694M-A,1731M-A)	4
14	309-0763-00	FRONT PLATE	1	37	700-5010-81	TAPPING SCREW (1694M-A,1731M-A)	2
15	076-0540-16	PLUG(16P)	2	38	948-0614-00	SWITCH UNIT (1694M-A,1731M-A)	1
16	880-1918I	TUNER PACK(FM/AM)	1	39	948-0613-00	CONTROL UNIT (1694M-A,1731M-A)	1
17	076-0461-20	PLUG(20P)	1				
18	074-1194-00	OUTLET SOCKET	1				
19	051-2013-00	IC(TDA7385)	1				
20	716-1542-01	SCREW( $\phi$ 3×6)	2				
21	074-1280-00	OUTLET SOCKET	1				

Tape mechanism section



NO.	PART NO.	DESCRIPTION	Q'TY	NO.	PART NO.	DESCRIPTION	Q'TY
1	960-4294-14	DECK PLATE ASSY	1	21	604-0046-00	TENSION PULLEY	1
2	960-4261-05	HEAD PLATE ASSY	1	22	606-0101-08	PACK GUIDE	1
3	960-4262-03	FF/REW-P ASSY	1	23	610-0342-01	HEAD P-ROLLER	1
4	960-4263-03	IDLER-P-ASSY L	1	24	610-0343-00	GUIDE A-ROLLER	1
5	960-4264-03	IDLER-P-ASSY R	1	25	611-0091-02	FLYWHEEL	2
6	960-4266-05	MODE PLATE ASSY	1	26	613-0662-00	IDLER GEAR	2
7	960-4269-05	ROLLER ASSY F	1	27	613-0286-03	FF/REW GEAR	2
8	960-4270-05	ROLLER ASSY R	1	28	613-0288-01	HELICAL GEAR	1
9	960-4348-03	REEL ASSY F	1	29	613-0289-01	GEAR A	1
10	960-4349-03	REEL ASSY R	1	30	613-0337-00	POWER GEAR	1
11	960-4298-09	EJECT SUB ASSY	1	31	630-2597-01	CHANGE LINK	1
11-1	750-2948-01	SWITCH PLATE SPRING	1	32	630-2598-05	EJECT LINK	1
12	960-4338-09	BOTTOM SUB ASSY	1	33	630-2600-01	ADJUST LINK	1
12-1	960-4295-02	BOTTOM P-ASSY	1	34	630-2601-02	MOTOR PLATE	1
12-2	099-9926-01	BOTTOM PWB (WITHOUT COMPONENT)	1	35	630-2626-06	PWB FRAME	1
12-3	013-3951-32	SWITCH(MODE)	1	36	630-2605-02	GUIDE ARM	1
12-4	013-3953-01	SWITCH(METAL)	1	37	631-1992-02	PACK STOPPER	1
12-5	051-1776-00	IC	1	38	631-1993-01	SLIDE BUSH	2
12-6	746-0767-00	WASHER	2	39	716-0484-00	SCREW(M2×2.5)	13
13	960-4282-06	DETECT SUB ASSY	1	40	716-1676-00	PWB SCREW(M2.6×6)	2
14	960-4301-02	PLAY LINK ASSY	1	41	716-0833-10	SCREW(M2×5.6)	2
15	039-1436-00	SIDE PWB (WITHOUT COMPONENT)	1	42	746-0624-00	WASHER	2
16	990-0713-00	REAR PWB ASSY (WITH COMPONENT)	1	43	746-0724-00	WASHER	6
16-1	013-3906-00	SWITCH(TAPE IN)	1	44	746-0761-00	WASHER	2
16-2	074-1104-20	OUTLET SOCKET(20P)	1	45	746-0762-00	WASHER	1
16-3	076-0368-10	PLUG(10P)	1	46	750-2946-02	PINCH SPRING	1
16-4	039-0489-00	REAR PWB (WITHOUT COMPONENT)	1	47	750-2947-03	EJECT P-SPRING	1
17	SMA-168-100	MAIN MOTOR ASSY	1	48	750-2949-00	SLIDE SPRING	2
18	SMA-169-100	POWER MOTOR ASSY	1	49	750-3017-02	IDLER P-SPRING	1
19	011-0328-01	HEAD	1	50	074-0898-10	OUTLET SOCKET(10P)	1
20	602-0118-00	BELT	1	51	802-4911-60	WIRE(RED)	1
				52	806-4914-60	WIRE(BLUE)	1
				53	809-4914-60	WIRE(WHITE)	1

# BLOCK DIAGRAM



# ELECTRICAL PARTS LIST

## Switch PWB section(B1)

Note) Several different parts of the same reference number are alternative parts. One of those parts is used in the set.

REF No.	PART No.	DESCRIPTION	REF No.	PART No.	DESCRIPTION	REF No.	PART No.	DESCRIPTION
D901	001-0517-00	1SS355	D906	001-0517-00	1SS355	D912	001-0516-00	MA111
D901	001-0516-00	MA111	D907	001-0517-00	1SS355	D912	001-0580-00	1SS352
D901	001-0580-00	1SS352	D907	001-0580-00	1SS352	D913	001-0516-00	MA111
D902	001-0517-00	1SS355	D907	001-0516-00	MA111	D913	001-0517-00	1SS355
D902	001-0580-00	1SS352	D908	001-0517-00	1SS355	D913	001-0580-00	1SS352
D902	001-0516-00	MA111	D908	001-0516-00	MA111	D914	001-0580-00	1SS352
D903	001-0517-00	1SS355	D908	001-0580-00	1SS352	D914	001-0517-00	1SS355
D903	001-0580-00	1SS352	D909	001-0516-00	MA111	D914	001-0516-00	MA111
D903	001-0516-00	MA111	D909	001-0517-00	1SS355	D915	001-0516-00	MA111
D904	001-0516-00	MA111	D909	001-0580-00	1SS352	D915	001-0580-00	1SS352
D904	001-0517-00	1SS355	D910	001-0580-00	1SS352	D915	001-0517-00	1SS355
D904	001-0580-00	1SS352	D910	001-0516-00	MA111	J901	074-1151-16	16P
D905	001-0516-00	MA111	D910	001-0517-00	1SS355	J902	074-1151-16	16P
D905	001-0517-00	1SS355	D911	001-0516-00	MA111	LED901	001-7038-82	CL-221G
D905	001-0580-00	1SS352	D911	001-0580-00	1SS352	LED902	001-7043-06	CL-170D-CD
D906	001-0580-00	1SS352	D911	001-0517-00	1SS355	LED903	001-7038-82	CL-221G
D906	001-0516-00	MA111	D912	001-0517-00	1SS355	LED904	001-7038-82	CL-221G

PI-1694M  
PI-1731M

REF No.	PART No.	DESCRIPTION	REF No.	PART No.	DESCRIPTION	REF No.	PART No.	DESCRIPTION
LED905	001-7043-06	CL-170D-CD	Q901	125-2020-06	DTC143ZK	R923	119-1511-10	1/16W 150Ω
LED906	001-7043-06	CL-170D-CD	Q901	125-2004-06	RN1406	R924	119-2711-10	1/16W 270Ω
LED907	001-7043-06	CL-170D-CD	Q902	125-2020-06	DTC143ZK	R925	119-2711-10	1/16W 270Ω
LED908	001-7043-06	CL-170D-CD	Q902	125-2004-06	RN1406	S901	013-6302-01	SKQMAL
LED909	001-7043-06	CL-170D-CD	Q903	125-2020-06	DTC143ZK	S902	013-6201-50	SKPMAA
LED910	001-7043-06	CL-170D-CD	Q903	125-2004-06	RN1406	S903	013-6201-50	SKPMAA
LED911	001-7043-06	CL-170D-CD	Q904	125-2020-06	DTC143ZK	S904	013-6201-50	SKPMAA
LED912	001-7043-06	CL-170D-CD	Q904	125-2004-06	RN1406	S905	013-6201-50	SKPMAA
LED913	001-7043-06	CL-170D-CD	R901	032-0104-66	1/4W 470Ω	S906	013-6201-50	SKPMAA
LED914	001-7043-06	CL-170D-CD	R902	032-0104-66	1/4W 470Ω	S907	013-6201-50	SKPMAA
LED915	001-7043-06	CL-170D-CD	R903	032-0104-66	1/4W 470Ω	S908	013-6201-50	SKPMAA
LED916	001-7043-06	CL-170D-CD	R904	032-0104-66	1/4W 470Ω	S909	013-6201-50	SKPMAA
LED917	001-7043-06	CL-170D-CD	R905	032-0104-66	1/4W 470Ω	S910	013-6201-50	SKPMAA
LED918	001-7043-06	CL-170D-CD	R906	119-1811-10	1/16W 180Ω	S911	013-6201-50	SKPMAA
LED919	001-7043-06	CL-170D-CD	R907	119-1811-10	1/16W 180Ω	S912	013-6201-50	SKPMAA
LED920	001-7043-06	CL-170D-CD	R908	119-1811-10	1/16W 180Ω	S913	013-6201-50	SKPMAA
LED921	001-7043-06	CL-170D-CD	R909	119-1811-10	1/16W 180Ω	S914	013-6201-50	SKPMAA
LED922	001-7043-06	CL-170D-CD	R910	119-1811-10	1/16W 180Ω	S915	013-6201-50	SKPMAA
LED923	001-7043-06	CL-170D-CD	R911	119-1811-10	1/16W 180Ω	S916	013-6201-50	SKPMAA
LED924	001-7043-07	CL-170G-CD	R912	119-1811-10	1/16W 180Ω	S917	013-6201-50	SKPMAA
LED925	001-7043-07	CL-170G-CD	R913	119-1811-10	1/16W 180Ω	S918	013-6201-50	SKPMAA
LED926	001-7043-07	CL-170G-CD	R914	119-1811-10	1/16W 180Ω	S919	013-6201-50	SKPMAA
LED927	001-7043-07	CL-170G-CD	R915	119-1811-10	1/16W 180Ω	S920	013-6201-50	SKPMAA
LED928	001-7043-07	CL-170G-CD	R916	119-1811-10	1/16W 180Ω	S921	013-6302-01	SKQMAL
LED929	001-7043-07	CL-170G-CD	R917	119-1811-10	1/16W 180Ω	S922	013-6201-50	SKPMAA
LED930	001-7043-07	CL-170G-CD	R918	119-1511-10	1/16W 150Ω	S923	013-6201-50	SKPMAA
LED931	001-7043-07	CL-170G-CD	R919	119-1511-10	1/16W 150Ω	S924	013-6201-50	SKPMAA
LED932	001-7043-07	CL-170G-CD	R920	119-1511-10	1/16W 150Ω	VR901	016-0014-06	VR W/SHAFT
LED933	001-7043-07	CL-170G-CD	R921	119-1511-10	1/16W 150Ω	VR902	016-0014-06	VR W/SHAFT
LED934	001-7031-08	EB1112H-15	R922	119-1511-10	1/16W 150Ω			

Main PWB section(B2)

REF No.	PART No.	DESCRIPTION	REF No.	PART No.	DESCRIPTION	REF No.	PART No.	DESCRIPTION
ANT101	092-0702-00	ANT RECEPT	C406	172-1041-11	0.1 μF	C456	178-2242-78	0.22 μF
BL101	880-1918I	AM/FM TUNER	C407	168-1042-78	16V 0.1 μF	C457	178-1522-78	1500pF
C101	166-1501-00	15pF CH	C408	168-1042-78	16V 0.1 μF	C458	178-5632-78	0.056 μF
C102	166-1007-00	10pF CH	C409	172-1041-11	0.1 μF	C459	183-2253-62	50V2.2 μF
C103	168-2232-05	0.022 μF	C410	183-2253-62	50V2.2 μF	C460	183-2253-62	50V2.2 μF
C104	168-2232-05	0.022 μF	C411	183-2253-62	50V2.2 μF	C464	043-0309-02	10V 0.68 μF
C105	166-1007-00	10pF CH	C412	183-2253-62	50V2.2 μF	C465	178-1842-78	0.18 μF
C106	184-1073-22	10V100 μF	C413	166-5611-50	560pF CH	C466	178-2242-78	0.22 μF
C107	166-1007-00	10pF CH	C414	168-8232-78	0.082 μF	C467	178-3332-78	0.033 μF
C108	184-1073-22	10V100 μF	C415	183-1053-61	50V1 μF	C468	178-5632-78	0.056 μF
C109	168-2732-05	16V 0.027 μF	C416	183-1063-31	16V10 μF	C469	178-1522-78	1500pF
C110	168-2732-05	16V 0.027 μF	C417	183-1053-61	50V1 μF	C470	178-1842-78	0.18 μF
C111	184-2273-22	10V220 μF	C418	043-0309-91	10V 0.82 μF	C471	043-0309-02	10V 0.68 μF
C112	168-2232-05	0.022 μF	C419	178-1242-78	0.12 μF	C472	178-2232-78	0.022 μF
C113	166-1011-00	100pF CH	C420	168-1032-05	0.01 μF	C473	178-1842-78	0.18 μF
C114	183-1056-61	50V1 μF NP	C421	166-1011-00	100pF CH	C474	178-1522-78	1500pF
C115	168-1232-05	0.012 μF	C422	183-1053-61	50V1 μF	C475	178-5632-78	0.056 μF
C116	168-2232-05	0.022 μF	C423	166-5611-50	560pF CH	C476	183-2253-62	50V2.2 μF
C117	168-1022-05	1000pF	C424	168-8232-78	0.082 μF	C477	183-2253-62	50V2.2 μF
C118	042-0458-00	50V1 μF	C425	183-1053-61	50V1 μF	C501	172-1041-11	0.1 μF
C119	166-1501-00	15pF CH	C426	183-1063-31	16V10 μF	C502	172-1041-11	0.1 μF
C120	166-1801-00	18pF CH	C427	183-1053-61	50V1 μF	C503	172-1041-11	0.1 μF
C121	168-1042-78	16V 0.1 μF	C428	043-0309-91	10V 0.82 μF	C504	172-1041-11	0.1 μF
C122	183-1063-31	16V10 μF	C429	178-1242-78	0.12 μF	C507	166-4711-00	470pF CH
C123	166-1011-00	100pF CH	C430	168-1032-05	0.01 μF	C508	166-4711-00	470pF CH
C124	166-1011-00	100pF CH	C431	166-1011-00	100pF CH	C509	166-4711-00	470pF CH
C125	166-1011-00	100pF CH	C432	183-1053-61	50V1 μF	C510	166-4711-00	470pF CH
C126	166-1011-00	100pF CH	C433	183-1053-61	50V1 μF	C511	172-1041-11	0.1 μF
C127	042-0563-71	16V100 μF	C434	183-2253-62	50V2.2 μF	C512	183-4753-51	35V4.7 μF
C301	042-0563-71	16V100 μF	C435	168-3332-78	0.033 μF	C513	183-4763-31	16V47 μF
C302	172-1041-11	0.1 μF	C436	183-2253-62	50V2.2 μF	C514	183-4753-51	35V4.7 μF
C303	042-0563-71	16V100 μF	C437	183-1053-61	50V1 μF	C515	183-4763-31	16V47 μF
C304	183-1063-31	16V10 μF	C447	043-0309-02	10V 0.68 μF	C601	168-1032-05	0.01 μF
C305	168-1042-78	16V 0.1 μF	C448	178-1842-78	0.18 μF	C602	168-1022-05	1000pF
C306	168-1042-78	16V 0.1 μF	C449	178-1842-78	0.18 μF	C603	166-1011-00	100pF CH
C307	168-1042-78	16V 0.1 μF	C450	178-2232-78	0.022 μF	C604	166-1011-00	100pF CH
C401	042-0563-71	16V100 μF	C451	178-5632-78	0.056 μF	C605	168-2222-05	2200pF
C402	042-0563-71	16V100 μF	C452	178-1522-78	1500pF	C606	168-1022-05	1000pF
C403	183-2253-62	50V2.2 μF	C453	178-1842-78	0.18 μF	C607	166-1011-00	100pF CH
C404	183-2253-62	50V2.2 μF	C454	043-0309-02	10V 0.68 μF	C608	168-1022-05	1000pF
C405	183-2253-62	50V2.2 μF	C455	178-3332-78	0.033 μF	C609	166-1011-00	100pF CH

REF No.	PART No.	DESCRIPTION	REF No.	PART No.	DESCRIPTION	REF No.	PART No.	DESCRIPTION
C610	166-1011-00	100pF CH	D611	001-0517-00	1SS355	Q504	102-2412-00	2SC2412
C611	168-2222-05	2200pF	D611	001-0580-00	1SS352	Q505	102-2712-00	2SC2712
C701	178-1052-78	1 μF	D611	001-0516-00	MA111	Q505	102-2412-00	2SC2412
C702	178-1052-78	1 μF	D612	001-0580-00	1SS352	Q506	102-2712-00	2SC2712
C703	168-4732-78	0.047 μF	D612	001-0517-00	1SS355	Q506	102-2412-00	2SC2412
C704	168-1032-05	0.01 μF	D612	001-0516-00	MA111	Q507	102-2712-00	2SC2712
C705	178-4742-78	0.47 μF	D613	001-4101-95	U1ZB27-TE12R	Q507	102-2412-00	2SC2412
C706	168-1022-05	1000pF	D701	001-0528-37	MA8068-L	Q508	103-1858-00	2SD1858
C707	183-2263-31	16V22 μF	D701	001-4300-37	HZU6.8B1	Q509	103-1858-00	2SD1858
C708	183-1053-61	50V1 μF	D701	001-0574-37	DTZ6.8A	Q510	103-1858-00	2SD1858
C709	184-4773-22	10V470 μF	D702	001-0516-00	MA111	Q511	100-1037-50	2SA1037K
C710	183-1053-61	50V1 μF	D702	001-0517-00	1SS355	Q511	100-1162-50	2SA1162Y.G
C711	183-2263-31	16V22 μF	D702	001-0580-00	1SS352	Q511	100-0812-51	2SA812M6,M7
C712	183-1053-61	50V1 μF	D703	001-4300-68	HZU18B1	Q512	125-2020-06	DTC143ZK
C713	172-1041-11	0.1 μF	D703	001-0574-68	DTZ18A	Q512	125-2004-06	RN1406
C714	183-1063-31	16V10 μF	D704	001-0466-00	S5688B	Q601	102-2712-00	2SC2712
C715	183-1063-31	16V10 μF	D705	001-0466-00	S5688B	Q601	102-2412-00	2SC2412
C716	183-1053-61	50V1 μF	D706	001-0574-53	DTZ11B	Q602	100-1162-50	2SA1162Y.G
C717	172-1041-11	0.1 μF	D706	001-4300-53	HZU11B2	Q602	100-1037-50	2SA1037K
C718	042-0586-00	16V4700 μF	D708	001-0580-00	1SS352	Q602	100-0812-51	2SA812M6,M7
C801	183-1063-31	16V10 μF	D708	001-0516-00	MA111	Q603	102-2412-50	2SC2412K-R.S
C802	166-1501-00	15pF CH	D708	001-0517-00	1SS355	Q603	102-2712-50	2SC2712Y.G.L
C803	166-1501-00	15pF CH	D709	001-4300-53	HZU11B2	Q604	100-1162-50	2SA1162Y.G
C804	183-4763-31	16V47 μF	D709	001-0574-53	DTZ11B	Q604	100-1037-50	2SA1037K
C805	168-2232-05	0.022 μF	D710	001-0516-00	MA111	Q604	100-0812-51	2SA812M6,M7
C806	168-2232-05	0.022 μF	D710	001-0517-00	1SS355	Q605	100-0812-51	2SA812M6,M7
C807	168-2232-05	0.022 μF	D710	001-0580-00	1SS352	Q605	100-1162-50	2SA1162Y.G
C808	168-2232-05	0.022 μF	D711	001-0503-32	HZS6A3L	Q605	100-1037-50	2SA1037K
C809	168-2232-05	0.022 μF	D712	001-0466-00	S5688B	Q606	102-2712-50	2SC2712Y.G.L
C810	168-1042-78	16V 0.1 μF	D713	001-0466-00	S5688B	Q606	102-2412-50	2SC2412K-R.S
CCT801	050-0122-03	1/16W1kΩ ×4 J	D714	001-0466-00	S5688B	Q701	125-0024-03	MUN2112
CCT802	050-0122-01	1/16W47kΩ ×4 J	D715	001-0466-00	S5688B	Q701	125-0002-03	RN2403
CCT803	050-0122-03	1/16W1kΩ ×4 J	D716	001-0592-00	RM4Z	Q701	125-0014-93	DTA124EK
CCT804	050-0122-01	1/16W47kΩ ×4 J	IC101	051-6201-00	LC72146M	Q702	102-2412-00	2SC2412
D301	001-0466-00	S5688B	IC301	051-1014-05	TA7291F	Q702	102-2712-00	2SC2712
D302	001-0574-38	DTZ6.8A	IC401	051-5012-00	LC75386	Q703	102-2712-00	2SC2712
D302	001-0528-38	MA8068-M	IC401	051-5012-10	LC75386NE-L	Q703	102-2412-00	2SC2412
D302	001-4300-38	HZU6.8B2	IC402	051-1979-00	M5243FP09	Q704	102-2412-00	2SC2412
D303	001-0517-00	1SS355	IC403	051-1979-00	M5243FP09	Q704	102-2712-00	2SC2712
D303	001-0580-00	1SS352	IC501	051-2013-00	TDA7385	Q705	102-2712-00	2SC2712
D303	001-0516-00	MA111	IC601	051-6600-38	CA0008AM	Q705	102-2412-00	2SC2412
D501	001-0574-38	DTZ6.8A	IC701	051-0869-05	MB3771PF-(G)	Q706	100-1037-50	2SA1037K
D501	001-0528-38	MA8068-M	IC801	052-3142-20	M30622M8-E64FP	Q706	100-0812-51	2SA812M6,M7
D501	001-4300-38	HZU6.8B2	J201	074-1194-00	13P CE-NET	Q706	100-1162-50	2SA1162Y.G
D502	001-4300-47	HZU9.1B2	J701	074-1280-00	OUTLET SOCKET	Q707	102-2712-00	2SC2712
D502	001-0574-47	DTZ9.1B	L101	010-2003-04	COIL	Q707	102-2412-00	2SC2412
D503	001-0516-00	MA111	L102	010-6009-88	220 μH	Q708	101-1240-00	2SB1240
D503	001-0517-00	1SS355	L601	010-6009-84	100 μH	Q709	125-2004-06	RN1406
D503	001-0580-00	1SS352	L701	010-8021-00	COIL	Q709	125-2020-06	DTC143ZK
D601	001-4300-68	HZU18B1	L901	010-6009-84	100 μH	Q710	125-0002-03	RN2403
D601	001-0574-68	DTZ18A	P301	076-0461-20	20P	Q710	125-0014-93	DTA124EK
D602	001-4300-68	HZU18B1	P801	076-0540-16	16P	Q710	125-0024-03	MUN2112
D602	001-0574-68	DTZ18A	P802	076-0540-16	16P	Q711	102-2712-00	2SC2712
D603	001-4300-68	HZU18B1	Q101	125-2004-03	RN1403	Q711	102-2412-00	2SC2412
D603	001-0574-68	DTZ18A	Q101	125-2031-03	MUN2212	Q712	103-1858-00	2SD1858
D604	001-0580-00	1SS352	Q101	125-2020-03	DTC124EK	Q714	125-2004-03	RN1403
D604	001-0517-00	1SS355	Q102	108-0669-00	2SK669	Q714	125-2020-03	DTC124EK
D604	001-0516-00	MA111	Q103	100-1150-00	2SA1150	Q714	125-2031-03	MUN2212
D605	001-0517-00	1SS355	Q104	100-1150-00	2SA1150	Q715	125-0024-03	MUN2112
D605	001-0580-00	1SS352	Q301	125-0024-02	MUN2111	Q715	125-0014-93	DTA124EK
D605	001-0516-00	MA111	Q301	125-0014-92	DTA114EK	Q715	125-0002-03	RN2403
D606	001-0516-00	MA111	Q301	125-0002-02	RN2402	Q716	103-1858-50	2SD1858Q.R
D606	001-0580-00	1SS352	Q302	100-1428-00	2SA1428	Q717	103-1858-50	2SD1858Q.R
D606	001-0517-00	1SS355	Q303	100-1431-00	2SA1431	Q718	103-1858-50	2SD1858Q.R
D607	001-4101-95	U1ZB27-TE12R	Q304	125-2004-06	RN1406	Q719	102-2412-00	2SC2412
D608	001-0517-00	1SS355	Q304	125-2020-06	DTC143ZK	Q719	102-2712-00	2SC2712
D608	001-0580-00	1SS352	Q305	125-2004-06	RN1406	Q720	102-2712-00	2SC2712
D608	001-0516-00	MA111	Q305	125-2020-06	DTC143ZK	Q720	102-2412-00	2SC2412
D609	001-0516-00	MA111	Q501	125-4001-00	XN1504	Q721	100-1431-00	2SA1431
D609	001-0580-00	1SS352	Q502	125-0014-93	DTA124EK	Q722	102-2712-00	2SC2712
D609	001-0517-00	1SS355	Q502	125-0002-03	RN2403	Q722	102-2412-00	2SC2412
D610	001-0580-00	1SS352	Q502	125-0024-03	MUN2112	Q723	101-1240-00	2SB1240
D610	001-0517-00	1SS355	Q503	125-4001-00	XN1504	Q724	125-2004-03	RN1403
D610	001-0516-00	MA111	Q504	102-2712-00	2SC2712	Q724	125-2031-03	MUN2212

PI-1694M  
PI-1731M

REF No.	PART No.	DESCRIPTION	REF No.	PART No.	DESCRIPTION	REF No.	PART No.	DESCRIPTION
Q724	125-2020-03	DTC124EK	R475	119-6811-10	1/16W 680Ω	R712	117-4721-10	1/10W 4.7kΩ
Q725	103-1858-00	2SD1858	R476	119-4721-10	1/16W 4.7kΩ	R713	117-2221-10	1/10W 2.2kΩ
Q801	125-0002-02	RN2402	R477	119-4721-10	1/16W 4.7kΩ	R714	119-4731-10	1/16W 47kΩ
Q801	125-0024-02	MUN2111	R488	119-0000-00	1/16W 0Ω JW	R715	117-1021-10	1/10W 1kΩ
Q801	125-0014-92	DTA114EK	R489	119-0000-00	1/16W 0Ω JW	R716	119-1031-10	1/16W 10kΩ
R101	119-1041-10	1/16W 100kΩ	R490	119-0000-00	1/16W 0Ω JW	R717	117-1031-10	1/10W 10kΩ
R102	119-2221-10	1/16W 2.2kΩ	R491	119-0000-00	1/16W 0Ω JW	R718	117-4721-10	1/10W 4.7kΩ
R103	111-4791-91	1/4WS 4.7Ω	R501	119-3321-10	1/16W 3.3kΩ	R719	119-4721-10	1/16W 4.7kΩ
R104	111-4791-91	1/4WS 4.7Ω	R502	119-4721-10	1/16W 4.7kΩ	R720	119-1021-10	1/16W 1kΩ
R105	119-1011-10	1/16W 100Ω	R503	119-4731-10	1/16W 47kΩ	R721	111-4791-91	1/4WS 4.7Ω
R106	119-8201-10	1/16W 82Ω	R504	119-4731-10	1/16W 47kΩ	R722	117-1031-10	1/10W 10kΩ
R107	111-4791-91	1/4WS 4.7Ω	R505	119-3321-10	1/16W 3.3kΩ	R723	119-3321-10	1/16W 3.3kΩ
R108	119-1021-10	1/16W 1kΩ	R506	119-4721-10	1/16W 4.7kΩ	R724	111-6811-91	1/4WS 680Ω
R109	119-2221-10	1/16W 2.2kΩ	R507	119-3321-10	1/16W 3.3kΩ	R726	111-2291-91	1/4WS 2.2Ω
R110	119-3321-10	1/16W 3.3kΩ	R508	119-4721-10	1/16W 4.7kΩ	R727	111-2291-91	1/4WS 2.2Ω
R111	119-4721-10	1/16W 4.7kΩ	R509	119-4731-10	1/16W 47kΩ	R728	111-2291-91	1/4WS 2.2Ω
R112	119-2221-10	1/16W 2.2kΩ	R510	119-4731-10	1/16W 47kΩ	R729	111-1011-91	1/4WS 100Ω
R113	119-1031-10	1/16W 10kΩ	R511	119-3321-10	1/16W 3.3kΩ	R730	119-4731-10	1/16W 47kΩ
R114	117-1031-10	1/10W 10kΩ	R512	119-4721-10	1/16W 4.7kΩ	R731	111-2221-91	1/4WS 2.2kΩ
R115	117-1031-10	1/10W 10kΩ	R513	119-2221-10	1/16W 2.2kΩ	R732	117-1031-10	1/10W 10kΩ
R116	117-1521-10	1/10W 1.5kΩ	R514	119-2221-10	1/16W 2.2kΩ	R733	117-1021-10	1/10W 1kΩ
R117	117-1521-10	1/10W 1.5kΩ	R517	119-1031-10	1/16W 10kΩ	R734	117-2231-10	1/10W 22kΩ
R118	119-2221-10	1/16W 2.2kΩ	R518	119-4731-10	1/16W 47kΩ	R735	117-1031-10	1/10W 10kΩ
R119	119-2221-10	1/16W 2.2kΩ	R519	119-1041-10	1/16W 100kΩ	R736	111-2221-91	1/4WS 2.2kΩ
R120	119-2221-10	1/16W 2.2kΩ	R520	117-1041-10	1/10W 100kΩ	R737	111-2221-91	1/4WS 2.2kΩ
R121	119-1021-10	1/16W 1kΩ	R521	111-1011-91	1/4WS 100Ω	R738	117-1021-10	1/10W 1kΩ
R122	119-1021-10	1/16W 1kΩ	R522	117-4721-10	1/16W 4.7kΩ	R739	117-1031-10	1/10W 10kΩ
R123	119-2231-10	1/16W 22kΩ	R523	117-2221-10	1/10W 2.2kΩ	R740	119-1031-10	1/16W 10kΩ
R124	119-2231-10	1/16W 22kΩ	R524	117-1041-10	1/10W 100kΩ	R741	119-4721-10	1/16W 4.7kΩ
R301	119-1031-10	1/16W 10kΩ	R525	119-8221-10	1/16W 8.2kΩ	R742	111-4791-91	1/4WS 4.7Ω
R302	114-2291-11	1W 2.2Ω	R526	119-2221-10	1/16W 2.2kΩ	R743	111-4791-91	1/4WS 4.7Ω
R303	111-2221-91	1/4WS 2.2kΩ	R527	111-2291-91	1/4WS 2.2Ω	R744	111-6821-91	1/4WS 6.8kΩ
R304	117-1031-10	1/10W 10kΩ	R528	111-2291-91	1/4WS 2.2Ω	R745	111-1031-91	1/4WS 10kΩ
R305	111-2221-91	1/4WS 2.2kΩ	R529	111-2291-91	1/4WS 2.2Ω	R746	111-2211-91	1/4WS 220Ω
R306	111-2221-91	1/4WS 2.2kΩ	R530	111-4711-91	1/4WS 470Ω	R747	111-2211-91	1/4WS 220Ω
R307	117-1031-10	1/10W 10kΩ	R531	117-4721-10	1/16W 4.7kΩ	R748	111-1031-91	1/4WS 10kΩ
R308	111-2221-91	1/4WS 2.2kΩ	R532	117-1031-10	1/10W 10kΩ	R749	111-1031-91	1/4WS 10kΩ
R309	111-2221-91	1/4WS 2.2kΩ	R601	111-6801-91	1/4WS 68Ω	R750	111-1031-91	1/4WS 10kΩ
R401	119-1531-10	1/16W 15kΩ	R602	119-3921-10	1/16W 3.9kΩ	R751	111-2221-91	1/4WS 2.2kΩ
R402	119-1531-10	1/16W 15kΩ	R603	119-3921-10	1/16W 3.9kΩ	R752	117-1021-10	1/10W 1kΩ
R403	119-8221-10	1/16W 8.2kΩ	R604	119-2231-10	1/16W 22kΩ	R808	119-4721-10	1/16W 4.7kΩ
R404	119-2731-10	1/16W 27kΩ	R605	119-2231-10	1/16W 22kΩ	R809	119-4721-10	1/16W 4.7kΩ
R405	119-2731-10	1/16W 27kΩ	R606	111-1011-91	1/4WS 100Ω	R810	119-1021-10	1/16W 1kΩ
R406	119-2731-10	1/16W 27kΩ	R607	119-2021-10	1/16W 2kΩ	R811	119-1021-10	1/16W 1kΩ
R407	119-2731-10	1/16W 27kΩ	R608	119-1031-10	1/16W 10kΩ	R812	119-4731-10	1/16W 47kΩ
R408	119-8221-10	1/16W 8.2kΩ	R609	119-1021-10	1/16W 1kΩ	R813	119-1021-10	1/16W 1kΩ
R409	119-1531-10	1/16W 15kΩ	R610	119-1021-10	1/16W 1kΩ	R814	119-1021-10	1/16W 1kΩ
R410	119-1531-10	1/16W 15kΩ	R611	119-1021-10	1/16W 1kΩ	R815	119-2231-10	1/16W 22kΩ
R411	119-1241-10	1/16W 120kΩ	R612	119-1031-10	1/16W 10kΩ	R816	119-4721-10	1/16W 4.7kΩ
R412	119-3921-10	1/16W 3.9kΩ	R613	119-1031-10	1/16W 10kΩ	R817	119-4721-10	1/16W 4.7kΩ
R413	119-1241-10	1/16W 120kΩ	R614	032-0104-60	1/4W 220Ω	R818	119-1031-10	1/16W 10kΩ
R414	119-3921-10	1/16W 3.9kΩ	R615	119-2021-10	1/16W 2kΩ	R819	119-3331-10	1/16W 33kΩ
R415	119-2221-10	1/16W 2.2kΩ	R616	119-1031-10	1/16W 10kΩ	R820	119-1031-10	1/16W 10kΩ
R416	119-2221-10	1/16W 2.2kΩ	R617	119-1021-10	1/16W 1kΩ	R821	119-1031-10	1/16W 10kΩ
R417	119-2221-10	1/16W 2.2kΩ	R618	119-1021-10	1/16W 1kΩ	R822	119-1031-10	1/16W 10kΩ
R418	119-4741-10	1/16W 47kΩ	R619	119-2021-10	1/16W 2kΩ	R823	119-1031-10	1/16W 10kΩ
R419	119-4731-10	1/16W 47kΩ	R620	119-1031-10	1/16W 10kΩ	R824	119-3321-10	1/16W 3.3kΩ
R438	119-4721-10	1/16W 4.7kΩ	R621	119-1021-10	1/16W 1kΩ	R825	117-4711-10	1/10W 470Ω
R440	119-3321-10	1/16W 3.3kΩ	R622	119-1021-10	1/16W 1kΩ	R826	117-4711-10	1/10W 470Ω
R442	119-2221-10	1/16W 2.2kΩ	R623	119-1021-10	1/16W 1kΩ	R827	119-1031-10	1/16W 10kΩ
R444	119-6811-10	1/16W 680Ω	R624	119-1031-10	1/16W 10kΩ	R828	119-4731-10	1/16W 47kΩ
R445	119-4721-10	1/16W 4.7kΩ	R625	119-1031-10	1/16W 10kΩ	R829	119-4731-10	1/16W 47kΩ
R447	119-3321-10	1/16W 3.3kΩ	R626	032-0104-60	1/4W 220Ω	R830	119-1021-10	1/16W 1kΩ
R449	119-5611-10	1/16W 560Ω	R701	119-1041-10	1/16W 100kΩ	R831	119-4731-10	1/16W 47kΩ
R451	119-6811-10	1/16W 680Ω	R702	119-4731-10	1/16W 47kΩ	R832	117-2221-10	1/10W 2.2kΩ
R452	119-4721-10	1/16W 4.7kΩ	R703	119-1541-10	1/16W 150kΩ	R833	117-4721-10	1/10W 4.7kΩ
R453	119-4721-10	1/16W 4.7kΩ	R704	119-1041-10	1/16W 100kΩ	R834	117-4711-10	1/10W 470Ω
R462	119-4721-10	1/16W 4.7kΩ	R705	119-1231-10	1/16W 12kΩ	R835	117-4711-10	1/10W 470Ω
R464	119-3321-10	1/16W 3.3kΩ	R706	119-5631-10	1/16W 56kΩ	R836	119-3331-10	1/16W 33kΩ
R466	119-5611-10	1/16W 560Ω	R707	119-1041-10	1/16W 100kΩ	SUP101	060-0122-20	DSP-141N-S00B
R468	119-6811-10	1/16W 680Ω	R708	119-4731-10	1/16W 47kΩ	TH701	002-0222-00	PTH61G30BD
R469	119-4721-10	1/16W 4.7kΩ	R709	117-2221-10	1/10W 2.2kΩ	VR101	012-4997-56	10K-B
R471	119-3321-10	1/16W 3.3kΩ	R710	117-2231-10	1/10W 22kΩ	X101	061-1066-00	7.2MHz
R473	119-2221-10	1/16W 2.2kΩ	R711	119-4731-10	1/16W 47kΩ	X801	061-3504-90	CX-5F 10MHz

Side PWB section(B3) : Tape mechanism

REF No.	PART No.	DESCRIPTION	REF No.	PART No.	DESCRIPTION	REF No.	PART No.	DESCRIPTION
C1	178-5612-78	560pF	C18	183-4753-51	35V4.7μF	R10	117-1131-10	1/10W 11kΩ
C2	178-5612-78	560pF	C20	176-2201-50	22pFCH	R11	117-1531-10	1/10W 15kΩ
C3	178-5612-78	560pF	C21	176-2201-50	22pFCH	R12	117-4731-10	1/10W 47kΩ
C4	178-5612-78	560pF	C22	176-2201-50	22pFCH	R13	032-0098-03	1/10W 18kΩ ±2%
C5	172-1231-11	0.012μF	C23	176-2201-50	22pFCH	R14	117-3331-10	1/10W 33kΩ
C6	172-1231-11	0.012μF	IC1	051-1777-00	HA12163	R15	117-1831-10	1/10W 18kΩ
C7	172-4731-11	0.047μF	L1	010-2198-26	0.047μH	R16	117-1841-10	1/10W 180kΩ
C8	172-4731-11	0.047μF	L2	010-2198-26	0.047μH	R17	117-4731-10	1/10W 47kΩ
C9	183-1053-61	50V1μF	R1	117-2731-10	1/10W 27kΩ	R18	117-1241-10	1/10W 120kΩ
C10	178-5612-78	560pF	R2	117-2731-10	1/10W 27kΩ	R19	117-2231-10	1/10W 22kΩ
C11	178-5612-78	560pF	R3	117-2731-10	1/10W 27kΩ	R20	117-2231-10	1/10W 22kΩ
C12	178-1042-78	0.1μF	R4	117-2731-10	1/10W 27kΩ	R21	117-2731-10	1/10W 27kΩ
C13	178-1042-78	0.1μF	R5	117-1811-10	1/10W 180Ω	R22	117-1031-10	1/10W 10kΩ
C14	178-4722-78	4700pF	R6	117-1811-10	1/10W 180Ω	R23	117-2231-10	1/10W 22kΩ
C15	183-2263-31	16V22μF	R7	117-3341-10	1/10W 330kΩ	VR1	012-4431-06	10kΩ
C16	178-1032-78	0.01μF	R8	117-3341-10	1/10W 330kΩ	VR2	012-4431-06	10kΩ
C17	183-1043-61	50V0.1μF	R9	117-1131-10	1/10W 11kΩ			

Bottom PWB section(B4) : Tape mechanism

REF No.	PART No.	DESCRIPTION	REF No.	PART No.	DESCRIPTION	REF No.	PART No.	DESCRIPTION
IC2	051-1776-00	NJL5801K	SW1	013-3953-01	SPPB32	SW2	013-3951-32	MODE SWITCH

Rear PWB section(B5) : Tape mechanism

REF No.	PART No.	DESCRIPTION	REF No.	PART No.	DESCRIPTION	REF No.	PART No.	DESCRIPTION
P5	076-0368-10	10P	R24	111-5611-91	1/4WS 560Ω	SW3	013-3906-00	SPPB51
P6	074-1104-20	20P						

■ CIRCUIT DIAGRAM

Switch PWB section(B1)

