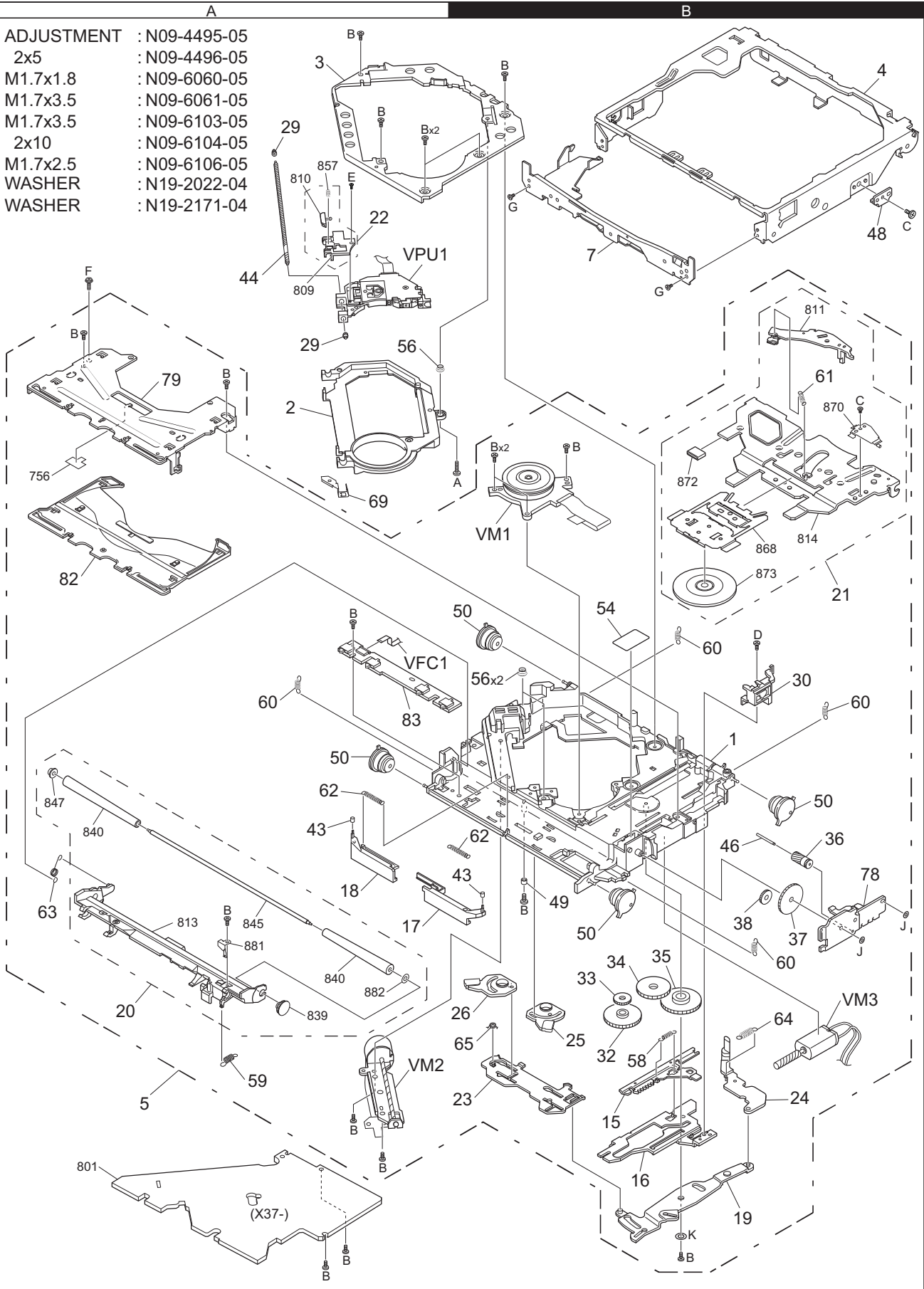


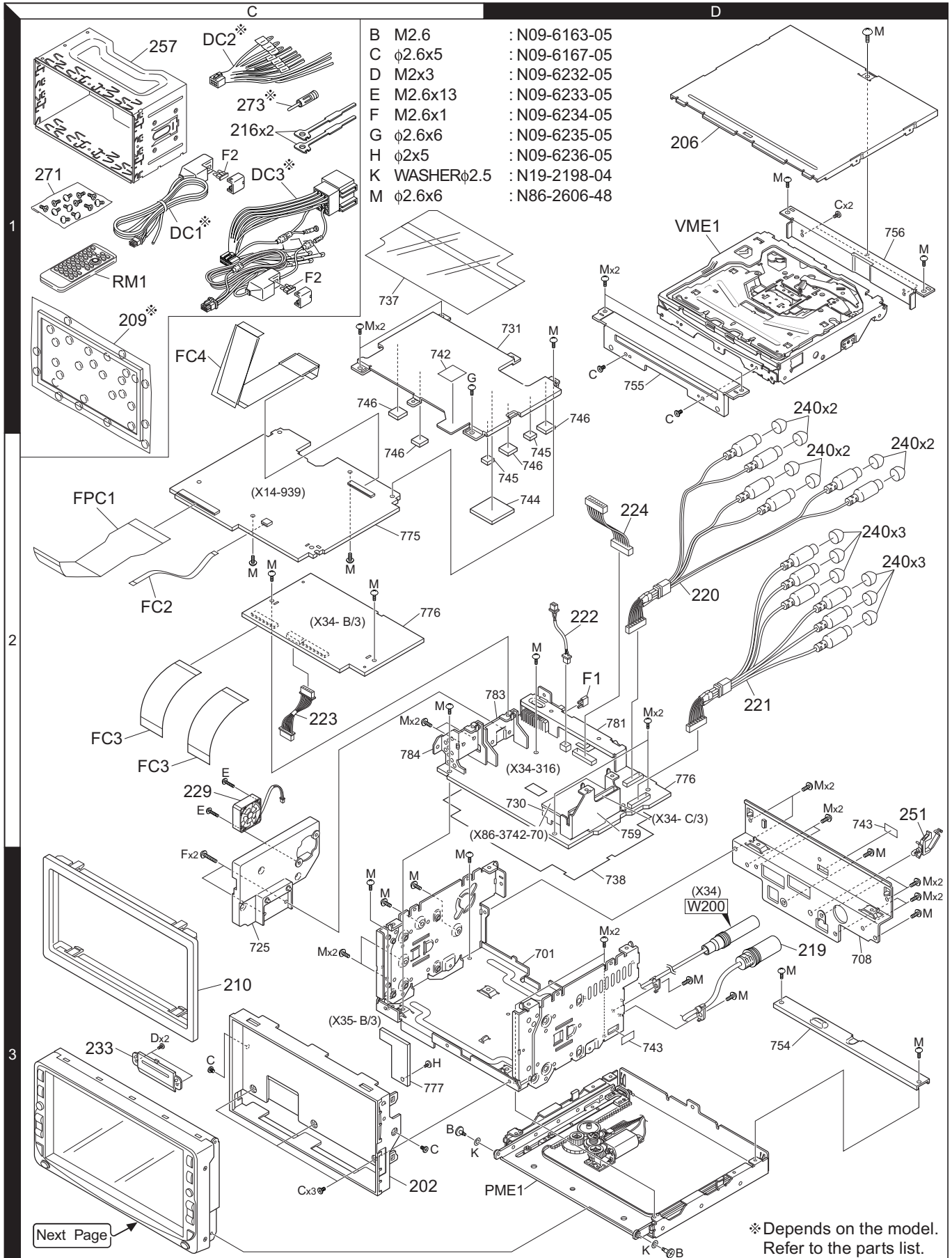
EXPLODED VIEW (DVD MECHANISM)

- | | | |
|---|------------|---------------|
| A | ADJUSTMENT | : N09-4495-05 |
| B | 2x5 | : N09-4496-05 |
| C | M1.7x1.8 | : N09-6060-05 |
| D | M1.7x3.5 | : N09-6061-05 |
| E | M1.7x3.5 | : N09-6103-05 |
| F | 2x10 | : N09-6104-05 |
| G | M1.7x2.5 | : N09-6106-05 |
| J | WASHER | : N19-2022-04 |
| K | WASHER | : N19-2171-04 |



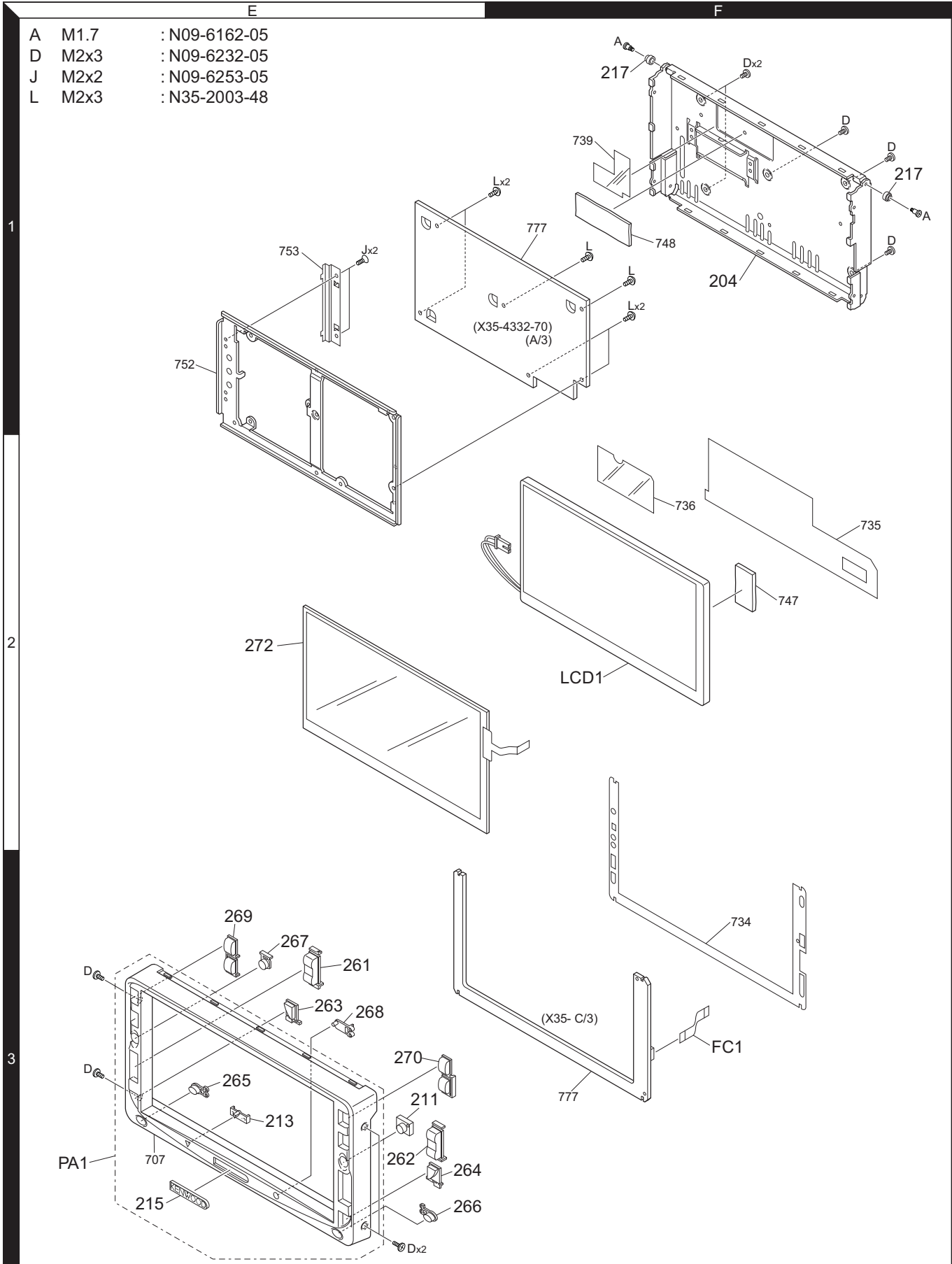
Parts with the exploded numbers larger than 700 are not supplied.

EXPLODED VIEW (UNIT)



EXPLODED VIEW (PANEL ASSY)

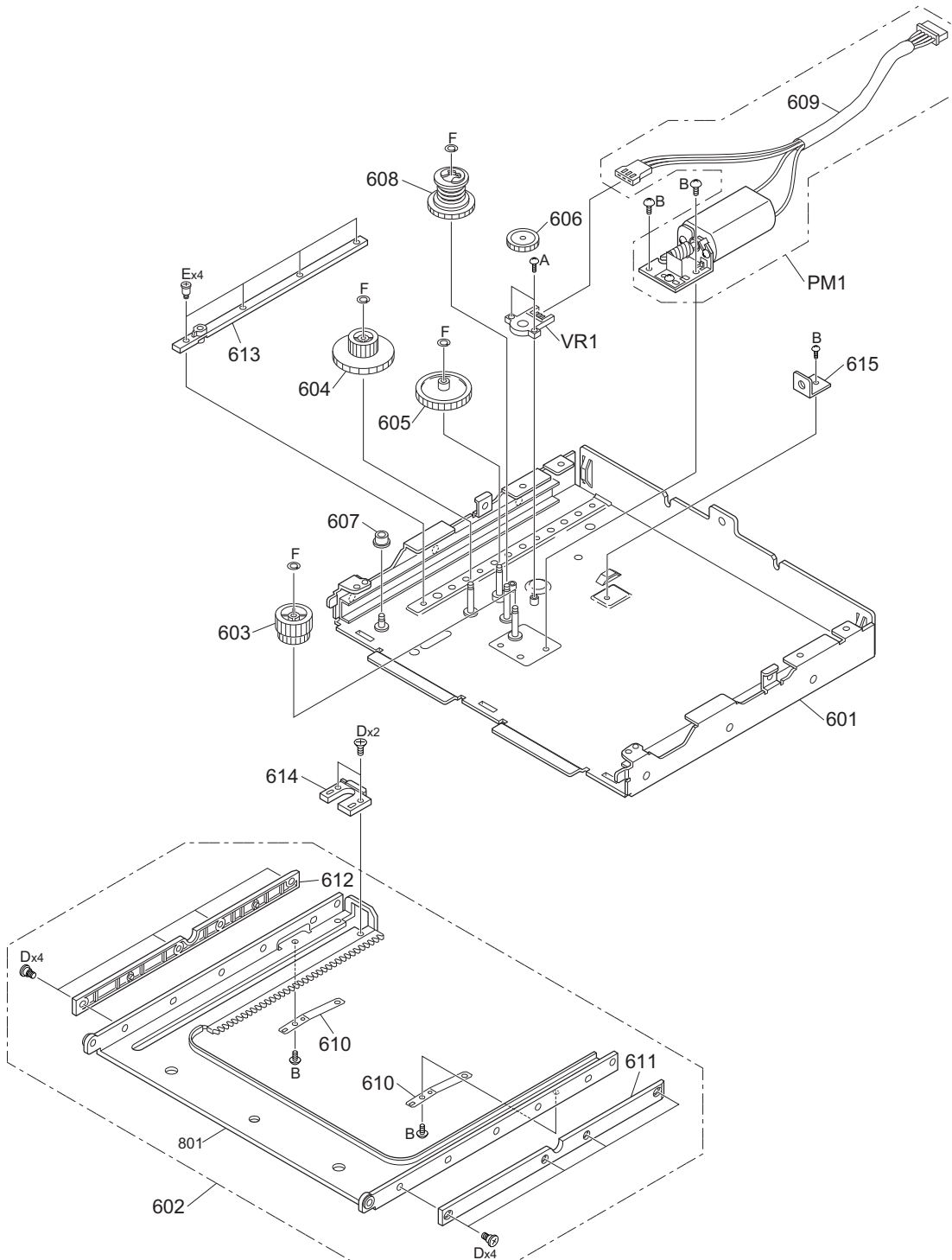
- | | | |
|---|------|---------------|
| A | M1.7 | : N09-6162-05 |
| D | M2x3 | : N09-6232-05 |
| J | M2x2 | : N09-6253-05 |
| L | M2x3 | : N35-2003-48 |



Parts with the exploded numbers larger than 700 are not supplied.

EXPLODED VIEW (PANEL MECHANISM)

- | | | | |
|---|---------------|---|-------------|
| A | M1.7x4 | : | N09-6147-08 |
| B | φ2x2.3 | : | N09-6148-08 |
| D | φ2x2.3 | : | N09-6150-08 |
| E | | : | N09-6151-08 |
| F | WASHER1.6x3.5 | : | N19-2105-14 |



PARTS LIST

* New parts

Parts without **Parts No.** are not supplied.

Les articles non mentionnés dans le **Parts No.** ne sont pas fournis.

Teile ohne **Parts No.** werden nicht geliefert.

Language notation of inst-manual

E : English F : French G : German D : Dutch

I : Italian S : Spanish P : Portuguese K : Korean

T : Traditional-Chinese X : Simplified-Chinese

Ref. No.	A d d	N e w	Parts No.	Description	Desti- nation
DDX7015/7025/7035/7045/7065					
202	3A	*	A22-3033-23	SUB PANEL ASSY	ERM
202	3A	*	A22-3046-23	SUB PANEL ASSY	K
202	3A	*	A22-3047-23	SUB PANEL ASSY	CX
204	1F	*	A46-1801-03	REAR COVER ASSY	
206	1D	*	A52-0854-12	TOP PLATE	△
PA1	3E	*	A64-3302-12	PANEL ASSY	E
PA1	3E	*	A64-3341-12	PANEL ASSY	K
PA1	3E	*	A64-3342-12	PANEL ASSY	R
PA1	3E	*	A64-3343-12	PANEL ASSY	M
PA1	3E	*	A64-3344-12	PANEL ASSY	C
PA1	3E	*	A64-3345-12	PANEL ASSY	X
RM1	1C	*	A70-2064-05	REMOTE CONTROLLER ASSY	
-			B46-0100-50	WARRANTY CARD	
-			B46-0612-14	ID CARD	EMC
-			B46-0612-14	ID CARD	X
-			B46-0648-13	USER CARD	K
-		*	B54-4430-00	INSTALLATION MANUAL (EFGDISP)	E
-		*	B54-4431-00	INSTALLATION MANUAL (EFSP)	KR
-		*	B54-4432-00	INSTALLATION MANUAL (ETKX)	MCX
-		*	B59-1813-00	SUB-INSTRUCTION MANUAL	KR
-		*	B64-2838-00	INSTRUCTION MANUAL (E)	E
-		*	B64-2839-00	INSTRUCTION MANUAL (FGD)	E
-		*	B64-2840-00	INSTRUCTION MANUAL (ISP)	E
-		*	B64-2841-00	INSTRUCTION MANUAL (EFS)	KR
-		*	B64-2842-00	INSTRUCTION MANUAL (P)	R
-		*	B64-2843-00	INSTRUCTION MANUAL (E)	MCX
-		*	B64-2844-00	INSTRUCTION MANUAL (TK)	M
-		*	B64-2845-00	INSTRUCTION MANUAL (X)	C
209	1C	*	B07-3046-04	ESCUTCHEON ASSY	MCX
210	3C	*	B07-3105-02	ESCUTCHEON	
211	3E	*	B10-4546-13	FRONT GLASS	
213	3E	*	B19-2262-03	LIGHTING BOARD	
215	3E	*	B43-1271-04	KENWOOD BADGE	
LCD1	2F	*	B38-1153-05	LIQUID CRYSTAL	
216	1C		D10-4589-04	LEVER	
217	1F	*	D14-0792-04	ROLLER	
PME1	3D	*	D40-1191-05	PANEL MECHANISM ASSY	
219	3D	*	E30-6299-05	CORD WITH DIN CONNECTOR	
220	2D	*	E30-6335-05	CORD WITH PINPLUG	ERM
220	2D	*	E30-6335-05	CORD WITH PINPLUG	CX
220	2D	*	E30-6357-05	CORD WITH PINPLUG	K
221	2D	*	E30-6336-05	CORD WITH PINPLUG	
222	2D	*	E39-0646-15	WIRING HARNESS (2P)	
223	2C	*	E39-0647-05	WIRING HARNESS (6P)	
224	2D	*	E39-0648-05	WIRING HARNESS (26P)	
DC1	1C	*	E30-6341-15	DC CORD	KRM
DC1	1C	*	E30-6341-15	DC CORD	CX
DC2	1C	*	E30-6342-05	DC CORD	KRM
DC2	1C	*	E30-6342-05	DC CORD	CX
DC3	1C	*	E30-6343-05	DC CORD	E
FC1	3F	*	E39-0667-05	FLAT CABLE	
FC2	2C	*	E39-0668-05	FLAT CABLE (4P)	

Ref. No.	A d d	N e w	Parts No.	Description	Desti- nation
FC3	2C	*	E39-0669-05	FLAT CABLE	
FC4	1C	*	E39-0670-05	FLAT CABLE (DVD MECHA)	
229	2C	*	F09-1878-05	FAN	
233	3C	*	F19-1426-03	COVER	
240	2D	*	F29-0049-05	INSULATING COVER	
F1	2D	*	F52-0006-05	FUSE (MINI BLADE TYPE) 10A	
F2	1C	*	F52-0004-05	FUSE (MINI BLADE TYPE) 5A	
-		*	H10-4896-02	POLYSTYRENE FOAMED FIXTURE	
-		*	H10-4897-02	POLYSTYRENE FOAMED FIXTURE	
-		*	H12-2745-04	PACKING FIXTURE	
-		*	H25-1127-04	PROTECTION BAG (0.5X350X450)	
-		*	H25-1158-04	PROTECTION BAG (220X350X0.03)	
-		*	H25-1161-04	PROTECTION BAG	
-		*	H54-3150-03	ITEM CARTON CASE	E
-		*	H54-3151-03	ITEM CARTON CASE	K
-		*	H54-3152-03	ITEM CARTON CASE	R
-		*	H54-3153-03	ITEM CARTON CASE	M
-		*	H54-3154-03	ITEM CARTON CASE	C
-		*	H54-3177-03	ITEM CARTON CASE	X
251	3D	*	J11-0660-05	CLAMPER	
257	1C	*	J22-0171-03	MOUNTING HARDWARE ASSY	
FPC1	2C	*	J84-0173-05	FLEXIBLE PRINTED WIRING BOARD	
261	3E	*	K24-4149-03	KNOB (VOL)	
262	3E	*	K24-4150-03	KNOB (SEEK)	
263	3E	*	K24-4151-13	KNOB (ATT)	
264	3E	*	K24-4152-13	KNOB (TI)	EM
264	3E	*	K24-4171-13	KNOB (AUTO)	KRC
264	3E	*	K24-4171-13	KNOB (AUTO)	X
265	3E	*	K24-4153-03	KNOB (V.SEL)	
266	3E	*	K24-4154-03	KNOB (>)	
267	3E	*	K24-4155-03	KNOB (SRC)	
268	3E	*	K24-4156-04	KNOB (RESET)	
269	3E	*	K25-1638-03	KNOB (EJECT)	
270	3E	*	K25-1639-03	KNOB (MODE)	
271	1C	*	N99-1754-05	SCREW SET	KRM
271	1C	*	N99-1754-05	SCREW SET	CX
A	1F	*	N09-6162-05	STEPPED SCREW (M1.7)	
B	3D	*	N09-6163-05	STEPPED SCREW (M2.6)	
C	3C	*	N09-6167-05	MACHINE SCREW (2.6X5)	
D	3C	*	N09-6232-05	MACHINE SCREW (M2.0X3.0)	
D	1F	*	N09-6232-05	MACHINE SCREW (M2.0X3.0)	
E	2C	*	N09-6233-05	MACHINE SCREW (M2.6X13)	
F	3C	*	N09-6234-05	MACHINE SCREW (M2.6X1)	
G	1C	*	N09-6235-05	TAPTITE SCREW (2.6X6)	
H	3C	*	N09-6236-05	SEMS (TAPTITE SCREW) (2.0X5)	
J	1E	*	N09-6253-05	MACHINE SCREW (M2X2)	
K	3D	*	N19-2198-04	FLAT WASHER (2.5)	
L	1F	*	N35-2003-48	BINDING HEAD MACHINE SCREW	
M	2C	*	N86-2606-48	BINDING HEAD TAPTITE SCREW	
272	2E	*	S79-0846-05	SWITCH ASSY	
273	1C	*	T90-0512-05	ANTENNA ADAPTOR	E

K : DDX7015 E : DDX7025 M : DDX7035 X : DDX7045 R : DDX7045 C : DDX7065

(K : North America E : Europe M : Other Areas X : Australia R : Latin America X : China)

△ Indicates safety critical components.

PARTS LIST

* New parts

Parts without **Parts No.** are not supplied.

Les articles non mentionnés dans le **Parts No.** ne sont pas fournis.

Teile ohne **Parts No.** werden nicht geliefert.

DDX7015/7025/7035/7045/7065

Ref. No.	A d d	N e w	Parts No.	Description	Desti- nation
VME1	1D	*	X92-5020-00	DVD MECHANISM ASSY	
VIDEO CONTROL UNIT (X14-939x-xx)					
C100			CK73GB1H103K	CHIP C 0.010UF K	
C101		*	C90-5670-05	ELECTRO 2200UF 16WV	
C102			CK73GB1H103K	CHIP C 0.010UF K	
C103-105			CK73GB1H104K	CHIP C 0.10UF K	
C106,107			CK73GB1C333K	CHIP C 0.033UF K	
C108			CK73GB1E223K	CHIP C 0.022UF K	
C109			CK73GB1H682K	CHIP C 6800PF K	
C110,111			CK73GB1H472K	CHIP C 4700PF K	
C112			CK73FB1C105K	CHIP C 1.0UF K	
C113			CK73GB1H104K	CHIP C 0.10UF K	
C114			CK73EB1E474K	CHIP C 0.47UF K	
C115,116			CK73GB1H104K	CHIP C 0.10UF K	
C117			CK73FB1H104K	CHIP C 0.10UF K	
C118			CE32AZ1C221M	CHIP EL 220UF 16WV	
C119			CK73GB1H104K	CHIP C 0.10UF K	
C120,121			CK73FB1H104K	CHIP C 0.10UF K	
C122			CK73FB1C105K	CHIP C 1.0UF K	
C123			CK73GB1H472K	CHIP C 4700PF K	
C124			CK73GB1H682K	CHIP C 6800PF K	
C125			CK73GB1H473K	CHIP C 0.047UF K	
C126			CK73GB1C104K	CHIP C 0.10UF K	
C127			CK73DF1C106Z	CHIP C 10UF Z	
C128			CK73EB0J106K	CHIP C 10UF K	
C129			CK73GB1C104K	CHIP C 0.10UF K	
C130-133			C93-1210-05	CHIP C 10UF K	
C134			CK73GB1H103K	CHIP C 0.010UF K	
C135			CC73GCH1H391J	CHIP C 390PF J	
C136			C93-1210-05	CHIP C 10UF K	
C137			CK73DF1E106Z	CHIP C 10UF Z	
C138-140			CK73GB1H471K	CHIP C 470PF K	
C141			C93-1210-05	CHIP C 10UF K	
C142			CK73GB1H102K	CHIP C 1000PF K	
C143		*	CE32AU0J121M	CHIP EL 120UF 6.3WV	
C144			CE32AU1A560M	CHIP EL 56UF 10WV	
C145			CE32AU0G331M	CHIP EL 330UF 4.0WV	
C146			CE32AU1A560M	CHIP EL 56UF 10WV	
C148,149			CK73GB1C104K	CHIP C 0.10UF K	
C150			CK73EB1C225K	CHIP C 2.2UF K	
C151			CK73DF1C106Z	CHIP C 10UF Z	
C152			CE32AU1A560M	CHIP EL 56UF 10WV	
C153			CK73EB0J106K	CHIP C 10UF K	
C154,155			CK73GB1C104K	CHIP C 0.10UF K	
C156			CK73GB1H102K	CHIP C 1000PF K	
C157			CK73GB1H104K	CHIP C 0.10UF K	
C158			CK73GB1C104K	CHIP C 0.10UF K	
C159,160			C92-1766-05	ELECTRO 22UF 12.5WV	
C161			CE32AZ1C221M	CHIP EL 220UF 16WV	
C162			CK73GB1H222K	CHIP C 2200PF K	
C164,165			CK73GB1H102K	CHIP C 1000PF K	
C200-202			CK73GB1H103K	CHIP C 0.010UF K	
C203			CC73GCH1H220J	CHIP C 22PF J	
C204			CC73GCH1H080D	CHIP C 8.0PF D	

Ref. No.	A d d	N e w	Parts No.	Description	Desti- nation
C205			C92-1359-05	CHIP-TAN 10UF 16WV	
C206-208			CK73GB1H103K	CHIP C 0.010UF K	
C209			CK73GB1C104K	CHIP C 0.10UF K	
C210,211			CK73GB1H103K	CHIP C 0.010UF K	
C212			CK73FB1C105K	CHIP C 1.0UF K	
C213,214			CK73GB1H103K	CHIP C 0.010UF K	
C216			CK73GB1H103K	CHIP C 0.010UF K	
C217			CK73GB1C104K	CHIP C 0.10UF K	
C218			CK73GB0J105K	CHIP C 1.0UF K	
C300			CK73GB1C104K	CHIP C 0.10UF K	
C301			C92-1685-05	ELECTRO 47UF 6.3WV	
C302			CK73GB1C104K	CHIP C 0.10UF K	KR
C302,303			CK73GB1C104K	CHIP C 0.10UF K	EMC
C302,303			CK73GB1C104K	CHIP C 0.10UF K	X
C304			CK73EB0J106K	CHIP C 10UF K	
C306			CC73GCH1H270J	CHIP C 27PF J	EMC
C306			CC73GCH1H270J	CHIP C 27PF J	X
C306			CC73GCH1H470J	CHIP C 47PF J	KR
C307			CK73GB1C104K	CHIP C 0.10UF K	
C309			CC73GCH1H180J	CHIP C 18PF J	EMC
C309			CC73GCH1H180J	CHIP C 18PF J	X
C310			CC73GCH1H220J	CHIP C 22PF J	
C311			CK73GB1C104K	CHIP C 0.10UF K	EMC
C311			CK73GB1C104K	CHIP C 0.10UF K	X
C312,313			CK73GB0J105K	CHIP C 1.0UF K	
C314,315			CK73GB1C104K	CHIP C 0.10UF K	E
C316			CK73GB0J105K	CHIP C 1.0UF K	
C317			CC73GCH1H180J	CHIP C 18PF J	
C318			CC73GCH1H270J	CHIP C 27PF J	EMC
C318			CC73GCH1H270J	CHIP C 27PF J	X
C319,320			CK73GB0J225K	CHIP C 2.2UF K	
C321-323			CK73GB0J105K	CHIP C 1.0UF K	
C324			CK73GB1H223K	CHIP C 0.022UF K	
C325		*	CK73GB0J475K	CHIP C 4.7UF K	
C326			CK73GB1C104K	CHIP C 0.10UF K	KRM
C326			CK73GB1C104K	CHIP C 0.10UF K	CX
C326,327			CK73GB1C104K	CHIP C 0.10UF K	E
C328-330			CK73GB0J105K	CHIP C 1.0UF K	E
C331			CK73GB1C104K	CHIP C 0.10UF K	E
C332,333			CK73GB0J105K	CHIP C 1.0UF K	EMC
C332,333			CK73GB0J105K	CHIP C 1.0UF K	X
C334			CK73GB1C104K	CHIP C 0.10UF K	
C335,336			CK73GB0J105K	CHIP C 1.0UF K	EMC
C335,336			CK73GB0J105K	CHIP C 1.0UF K	X
C337			CK73GB1A474K	CHIP C 0.47UF K	
C338			CK73EB0J106K	CHIP C 10UF K	
C339			CK73GB1H223K	CHIP C 0.022UF K	
C340			CK73GB0J105K	CHIP C 1.0UF K	
C341			CK73EB0J106K	CHIP C 10UF K	
C342,343			CK73GB0J105K	CHIP C 1.0UF K	
C344			CK73GB1H223K	CHIP C 0.022UF K	
C345-350			CK73GB0J105K	CHIP C 1.0UF K	
C351			CK73FB1A225K	CHIP C 2.2UF K	
C352,353			CK73GB1H103K	CHIP C 0.010UF K	
C354,355			CK73FB1A225K	CHIP C 2.2UF K	

K : DDX7015 E : DDX7025 M : DDX7035 X : DDX7045 R : DDX7045 C : DDX7065
(K : North America E : Europe M : Other Areas X : Australia R : Latin America X : China)

△ Indicates safety critical components.

PARTS LIST

* New parts

Parts without **Parts No.** are not supplied.

Les articles non mentionnés dans le **Parts No.** ne sont pas fournis.

Teile ohne **Parts No.** werden nicht geliefert.

VIDEO CONTROL UNIT (X14-939x-xx)

Ref. No.	Add	New	Parts No.	Description	Destination	Ref. No.	Add	New	Parts No.	Description	Destination
C356			CK73GB1C104K	CHIP C 0.10UF K		C669			CK73EB0J106K	CHIP C 10UF K	
C357			CK73EB0J106K	CHIP C 10UF K		C670			CK73GB1C104K	CHIP C 0.10UF K	
C358			CK73GB1C104K	CHIP C 0.10UF K		C671,672			CK73GB0J105K	CHIP C 1.0UF K	
C361			C92-1685-05	ELECTRO 47UF 6.3WV		C673			CK73GB1C104K	CHIP C 0.10UF K	
C362			CK73GB1C104K	CHIP C 0.10UF K		C675			CK73GB0J105K	CHIP C 1.0UF K	
C363			CK73EB0J106K	CHIP C 10UF K		C701			CK73GB1H332K	CHIP C 3300PF K	
C364			CC73GCH1H331J	CHIP C 330PF J		C702,703			CC73GCH1H681J	CHIP C 680PF J	
C365			CK73GB0J105K	CHIP C 1.0UF K		C704			CK73GB1C104K	CHIP C 0.10UF K	
C366,367			CK73GB1C104K	CHIP C 0.10UF K		C705			CK73DF1C106Z	CHIP C 10UF Z	
C368			CK73GB0J105K	CHIP C 1.0UF K		C706			CK73EB1A475K	CHIP C 4.7UF K	
C370			CK73GB1H103K	CHIP C 0.010UF K		C707			CC73GCH1H101J	CHIP C 100PF J	
C371		*	CK73GB0J475K	CHIP C 4.7UF K		C708			CK73GB1H332K	CHIP C 3300PF K	
C372			CK73GB1H153K	CHIP C 0.015UF K		C709,710			CC73GCH1H681J	CHIP C 680PF J	
C373			CC73GCH1H151J	CHIP C 150PF J		C711			CK73EB1A475K	CHIP C 4.7UF K	
C374			CC73GCH1E102J	CHIP C 1000PF J		C712			CC73GCH1H101J	CHIP C 100PF J	
C375			CC73GCH1H470J	CHIP C 47PF J		C713			CK73DF1C106Z	CHIP C 10UF Z	
C376			CC73GCH1H150J	CHIP C 15PF J		C714,715			CK73GB1C104K	CHIP C 0.10UF K	
C400			CC73GCH1H070D	CHIP C 7.0PF D	ERM	C717			CK73EB0J106K	CHIP C 10UF K	
C400			CC73GCH1H070D	CHIP C 7.0PF D	CX	C718			CK73GB1C104K	CHIP C 0.10UF K	
C400			CC73GCH1H100D	CHIP C 10PF D	K	C751			CC73GCH1H220J	CHIP C 22PF J	
C401			CC73GCH1H120J	CHIP C 12PF J		C752			CK73GB1C104K	CHIP C 0.10UF K	
C402			CK73EB0J106K	CHIP C 10UF K		C770,771			CK73GB1C104K	CHIP C 0.10UF K	
C403			CK73GB1C104K	CHIP C 0.10UF K		C772			CK73EB0J106K	CHIP C 10UF K	
C404			CK73GB0J105K	CHIP C 1.0UF K		C773			CK73FB1H104K	CHIP C 0.10UF K	
C405-409			CK73GB1C104K	CHIP C 0.10UF K		C800			CC73GCH1H101J	CHIP C 100PF J	
C410			CK73EB0J106K	CHIP C 10UF K		C802			CK73GB0J105K	CHIP C 1.0UF K	
C411			CK73GB1C104K	CHIP C 0.10UF K		C803			CC73GCH1H101J	CHIP C 100PF J	
C412			CK73GB0J105K	CHIP C 1.0UF K		C904			CC73GCH1H101J	CHIP C 100PF J	R
C413-416			CK73GB1C104K	CHIP C 0.10UF K		C918			C92-1485-05	CHIP C 22UF 6.3WV	
C417			CC73GCH1H040C	CHIP C 4.0PF C	ERM	C919-922			CK73GB1H104K	CHIP C 0.10UF K	
C417			CC73GCH1H040C	CHIP C 4.0PF C	CX	C925-927			CK73GB1C104K	CHIP C 0.10UF K	
C501			CK73DF1C106Z	CHIP C 10UF Z		TC1		*	C05-0516-05	CERAMIC TRIMMER CAPACITOR (10PF)	
C520,521			CK73EB0J106K	CHIP C 10UF K		CN101		*	E40-9449-05	PIN ASSY	
C522			CK73GB1C104K	CHIP C 0.10UF K		CN501		*	E41-2114-05	FLAT CABLE CONNECTOR	
C540			CK73GB0J105K	CHIP C 1.0UF K		CN770		*	E40-9409-05	PIN ASSY	
C541			CC73GCH1H120J	CHIP C 12PF J		CN802		*	E41-2051-05	PIN ASSY	
C542			CC73GCH1H100D	CHIP C 10PF D		CN803		*	E41-2077-05	PIN ASSY	
C561-567			CK73GB1C104K	CHIP C 0.10UF K		CN850			E41-0341-05	FLAT CABLE CONNECTOR	
C580			CK73GB1C104K	CHIP C 0.10UF K		CN851			E41-0267-05	FLAT CABLE CONNECTOR	
C581			CK73FB1H104K	CHIP C 0.10UF K		CN904		*	E41-2074-05	PIN ASSY	
C601-606			CK73GB1C104K	CHIP C 0.10UF K		CF100-105			L72-0780-05	CERAMIC FILTER	
C607			CK73GB0J105K	CHIP C 1.0UF K		L100			L19-0733-05	TRANSFORMER FOR CONVERTER	
C608-614			CK73GB1C104K	CHIP C 0.10UF K		L101-105			L33-1906-05	CHOKE COIL	
C615,616			CK73EB0J106K	CHIP C 10UF K		L106,107			L40-1001-78	SMALL FIXED INDUCTOR (10UH)	
C617			CK73GB0J105K	CHIP C 1.0UF K		L108			L79-0958-05	LINE FILTER	
C618-628			CK73GB1C104K	CHIP C 0.10UF K		L109			L92-0373-05	CHIP FERRITE	
C650			CK73GB1C104K	CHIP C 0.10UF K		L200			L92-0319-05	CHIP FERRITE	
C651-658			CK73GB0J105K	CHIP C 1.0UF K		L300			L40-4705-79	SMALL FIXED INDUCTOR (47UH)	
C659			C92-1452-05	ELECTRO 100UF 10WV		L350			L40-1001-78	SMALL FIXED INDUCTOR (10UH)	
C660			CK73EB0J106K	CHIP C 10UF K		L400			L40-1001-78	SMALL FIXED INDUCTOR (10UH)	
C661			CK73GB0J105K	CHIP C 1.0UF K		L401		*	L41-2205-33	SMALL FIXED INDUCTOR	
C662			CK73GB1C104K	CHIP C 0.10UF K		L402			L40-1001-78	SMALL FIXED INDUCTOR (10UH)	
C663			CK73EB0J106K	CHIP C 10UF K		L520,521			L92-0373-05	CHIP FERRITE	
C664			C92-1452-05	ELECTRO 100UF 10WV		L540			L40-1001-78	SMALL FIXED INDUCTOR (10UH)	
C665-668			CK73GB1C104K	CHIP C 0.10UF K							

K: DDX7015 E: DDX7025 M: DDX7035 X: DDX7045 R: DDX7045 C: DDX7065
(K: North America E: Europe M: Other Areas X: Australia R: Latin America X: China)

△ Indicates safety critical components.

PARTS LIST

* New parts

Parts without **Parts No.** are not supplied.

Les articles non mentionnés dans le **Parts No.** ne sont pas fournis.

Teile ohne **Parts No.** werden nicht geliefert.

VIDEO CONTROL UNIT (X14-939x-xx)

Ref. No.	A d d	N e w	Parts No.	Description	Desti- nation
L560			L92-0373-05	CHIP FERRITE	
L601			L92-0373-05	CHIP FERRITE	
L603			L92-0373-05	CHIP FERRITE	
L650			L40-1001-78	SMALL FIXED INDUCTOR (10UH)	
L651			L92-0373-05	CHIP FERRITE	
L701,702			L40-1001-78	SMALL FIXED INDUCTOR (10UH)	
X200		*	L78-0892-05	RESONATOR (19M)	
X201			L77-2304-05	CRYSTAL RESONATOR (32.768KHZ)	
X300			L77-2806-05	CRYSTAL RESONATOR (3.579545MHZ)	
X301			L77-2807-05	CRYSTAL RESONATOR (4.433619MHZ)	EMC
X301			L77-2807-05	CRYSTAL RESONATOR (4.433619MHZ)	X
X360			L78-0549-05	RESONATOR (50KHZ)	
X540			L77-2866-05	CRYSTAL RESONATOR (27MHZ)	
CP400-407			RK74HB1J330J	CHIP-COM 33 J 1/16W	
CP501-505			RK74HB1J471J	CHIP-COM 470 J 1/16W	
CP506-510			RK74HB1J103J	CHIP-COM 10K J 1/16W	
CP601-604			RK74HB1J472J	CHIP-COM 4.7K J 1/16W	
CP605			RK74HB1J470J	CHIP-COM 47 J 1/16W	
CP606-612			RK74HB1J220J	CHIP-COM 22 J 1/16W	
CP613,614			RK74HB1J330J	CHIP-COM 33 J 1/16W	
CP615-618			RK74HB1J472J	CHIP-COM 4.7K J 1/16W	
CP619-625			RK74HB1J220J	CHIP-COM 22 J 1/16W	
R100,101			RK73GB2A223J	CHIP R 22K J 1/10W	
R102			RN73GH1J912D	CHIP R 9.1K D 1/16W	
R103			RK73GB2A681J	CHIP R 680 J 1/10W	
R104			RN73GH1J912D	CHIP R 9.1K D 1/16W	
R105			RN73GH1J433D	CHIP R 43K D 1/16W	
R106			RN73GH1J912D	CHIP R 9.1K D 1/16W	
R107			RK73GB2A103J	CHIP R 10K J 1/10W	
R108			RK73GB2A432J	CHIP R 4.3K J 1/10W	
R109			RK73GB2A472J	CHIP R 4.7K J 1/10W	
R110			RK73GB2A363J	CHIP R 36K J 1/10W	
R111			RK73GB2A473J	CHIP R 47K J 1/10W	
R112			RK73GB2A513J	CHIP R 51K J 1/10W	
R113			RK73GB2A363J	CHIP R 36K J 1/10W	
R114			RK73GB2A104J	CHIP R 100K J 1/10W	
R115		*	R92-3323-05	CHIP R 3.3K J 1/2W	
R116			RK73GB2A912J	CHIP R 9.1K J 1/10W	
R117			RK73GB2A153J	CHIP R 15K J 1/10W	
R118			RK73FB2B123J	CHIP R 12K J 1/8W	
R119			RN73GH1J2552D	CHIP R 25.5K D 1/16W	
R120			RN73GH1J154D	CHIP R 150K D 1/16W	
R121			RK73GB2A473J	CHIP R 47K J 1/10W	
R122			RK73GB2A512J	CHIP R 5.1K J 1/10W	
R123			RK73GB2A472J	CHIP R 4.7K J 1/10W	
R124			RK73GB2A242J	CHIP R 2.4K J 1/10W	
R125			RN73GH1J104D	CHIP R 100K D 1/16W	
R126			RN73GH1J2212D	CHIP R 22.1K D 1/16W	
R127			RN73GH1J154D	CHIP R 150K D 1/16W	
R128			RK73EB2E102J	CHIP R 1.0K J 1/4W	
R129			RK73GB2A473J	CHIP R 47K J 1/10W	
R130			RN73GH1J132D	CHIP R 1.3K D 1/16W	
R131-136			RK73GB2A104J	CHIP R 100K J 1/10W	
R137-139			RK73GB2A101J	CHIP R 100 J 1/10W	

Ref. No.	A d d	N e w	Parts No.	Description	Desti- nation
R140			RK73GB2A201J	CHIP R 200 J 1/10W	
R141			RK73GB2A103J	CHIP R 10K J 1/10W	
R142			RK73GB2A273J	CHIP R 27K J 1/10W	
R143			RK73GB2A100J	CHIP R 10 J 1/10W	
R144			RK73GB2A222J	CHIP R 2.2K J 1/10W	
R145			RK73GB2A332J	CHIP R 3.3K J 1/10W	
R146			RK73GB2A303J	CHIP R 30K J 1/10W	
R147			RK73GB2A622J	CHIP R 6.2K J 1/10W	
R148			RN73GH1J102D	CHIP R 1.0K D 1/16W	
R149			RN73GH1J622D	CHIP R 6.2K D 1/16W	
R150			RN73GH1J102D	CHIP R 1.0K D 1/16W	
R151			RN73GH1J242D	CHIP R 2.4K D 1/16W	
R152			RN73GH1J102D	CHIP R 1.0K D 1/16W	
R153			RN73GH1J682D	CHIP R 6.8K D 1/16W	
R154,155			RN73GH1J102D	CHIP R 1.0K D 1/16W	
R156			RN73GH1J4021D	CHIP R 4.02K D 1/16W	
R157			RN73GH1J752D	CHIP R 7.5K D 1/16W	
R158			RN73GH1J102D	CHIP R 1.0K D 1/16W	
R159			RN73GH1J622D	CHIP R 6.2K D 1/16W	
R160			RK73GH2A113D	CHIP R 11K D 1/10W	
R161			R92-3416-05	CHIP R 0.27 1/2W	
R162			RK73GB2A104J	CHIP R 100K J 1/10W	
R164			RK73GB2A102J	CHIP R 1.0K J 1/10W	
R165			RK73GB2A473J	CHIP R 47K J 1/10W	
R166			RK73GB2A272J	CHIP R 2.7K J 1/10W	
R168			RK73GB2A102J	CHIP R 1.0K J 1/10W	
R169			RK73GB2A223J	CHIP R 22K J 1/10W	
R170			RK73GB2A103J	CHIP R 10K J 1/10W	
R171			RK73GB2A563J	CHIP R 56K J 1/10W	
R172			RK73GB2A102J	CHIP R 1.0K J 1/10W	
R173			RN73GH1J153D	CHIP R 15K D 1/16W	
R174			RN73GH1J333D	CHIP R 33K D 1/16W	
R175			RN73GH1J153D	CHIP R 15K D 1/16W	
R176			RN73GH1J333D	CHIP R 33K D 1/16W	
R177			RN73GH1J153D	CHIP R 15K D 1/16W	
R178			RN73GH1J333D	CHIP R 33K D 1/16W	
R200			RK73GB2A103J	CHIP R 10K J 1/10W	
R202			RK73GB2A103J	CHIP R 10K J 1/10W	
R203			RK73GB2A103J	CHIP R 10K J 1/10W	
R203,204			RK73GB2A103J	CHIP R 10K J 1/10W	R CX K EM
R204			RK73GB2A103J	CHIP R 10K J 1/10W	R
R205			RK73GB2A103J	CHIP R 10K J 1/10W	CX
R205,206			RK73GB2A103J	CHIP R 10K J 1/10W	K
R206			RK73GB2A103J	CHIP R 10K J 1/10W	RM
R207			RK73GB2A103J	CHIP R 10K J 1/10W	ECX
R208-211			RK73GB2A104J	CHIP R 100K J 1/10W	
R212			RK73GB2A471J	CHIP R 470 J 1/10W	
R213,214			RK73GB2A103J	CHIP R 10K J 1/10W	
R215			RK73GB2A684J	CHIP R 680K J 1/10W	
R216			RK73GB2A472J	CHIP R 4.7K J 1/10W	
R217			RK73GB2A104J	CHIP R 100K J 1/10W	
R218			RK73GB2A225J	CHIP R 2.2M J 1/10W	
R219			RK73GB2A102J	CHIP R 1.0K J 1/10W	
R222			RK73GB2A104J	CHIP R 100K J 1/10W	
R223			RK73GB2A102J	CHIP R 1.0K J 1/10W	

K : DDX7015 E : DDX7025 M : DDX7035 X : DDX7045 R : DDX7045 C : DDX7065
(K : North America E : Europe M : Other Areas X : Australia R : Latin America X : China)

△ Indicates safety critical components.

PARTS LIST

* New parts

Parts without **Parts No.** are not supplied.

Les articles non mentionnés dans le **Parts No.** ne sont pas fournis.

Teile ohne **Parts No.** werden nicht geliefert.

VIDEO CONTROL UNIT (X14-939x-xx)

Ref. No.	Add	New	Parts No.	Description	Destination	Ref. No.	Add	New	Parts No.	Description	Destination
R224			RK73GB2A104J	CHIP R 100K J 1/10W		R408			RK73GB2A101J	CHIP R 100 J 1/10W	
R225-227			RK73GB2A102J	CHIP R 1.0K J 1/10W		R409			RK73GB2A272J	CHIP R 2.7K J 1/10W	
R228-233			RK73GB2A104J	CHIP R 100K J 1/10W		R410,411			RK73GB2A104J	CHIP R 100K J 1/10W	
R234			RK73GB2A123J	CHIP R 12K J 1/10W		R412			RK73GB2A102J	CHIP R 1.0K J 1/10W	
R235			RK73GB2A473J	CHIP R 47K J 1/10W		R413			RK73GB2A472J	CHIP R 4.7K J 1/10W	
R236			RK73GB2A123J	CHIP R 12K J 1/10W		R415-417			RK73GB2A151J	CHIP R 150 J 1/10W	
R238			RK73GB2A123J	CHIP R 12K J 1/10W		R501			RK73GB2A330J	CHIP R 33 J 1/10W	
R239			RK73GB2A104J	CHIP R 100K J 1/10W		R502			RK73GB2A103J	CHIP R 10K J 1/10W	
R240			RK73GB2A123J	CHIP R 12K J 1/10W		R503			RK73GB2A820J	CHIP R 82 J 1/10W	
R241			RK73GB2A102J	CHIP R 1.0K J 1/10W		R504,505			RK73GB2A220J	CHIP R 22 J 1/10W	
R242			RK73GB2A104J	CHIP R 100K J 1/10W		R506,507			RK73GB2A820J	CHIP R 82 J 1/10W	
R243			RK73GB2A102J	CHIP R 1.0K J 1/10W		R508			RK73GB2A471J	CHIP R 470 J 1/10W	
R244			RK73GB2A473J	CHIP R 47K J 1/10W		R509,510			R92-2104-05	CHIP R 2.2 J 1W	
R248-254			RK73GB2A104J	CHIP R 100K J 1/10W		R520			RK73GB2A472J	CHIP R 4.7K J 1/10W	
R256-258			RK73GB2A101J	CHIP R 100 J 1/10W		R522-528			RK73GB2A103J	CHIP R 10K J 1/10W	
R259			RK73GB2A104J	CHIP R 100K J 1/10W		R529,530			RK73GB2A472J	CHIP R 4.7K J 1/10W	
R300			RK73GB2A471J	CHIP R 470 J 1/10W		R531,532			RK73GB2A104J	CHIP R 100K J 1/10W	
R301			RK73GB2A103J	CHIP R 10K J 1/10W	EMC X	R540,541			RK73GB2A330J	CHIP R 33 J 1/10W	
R301			RK73GB2A103J	CHIP R 10K J 1/10W		R542			RK73GB2A105J	CHIP R 1.0M J 1/10W	
R302			RK73GB2A152J	CHIP R 1.5K J 1/10W		R544			RK73GB2A102J	CHIP R 1.0K J 1/10W	
R303			RK73GB2A752J	CHIP R 7.5K J 1/10W		R586			RK73GB2A152J	CHIP R 1.5K J 1/10W	
R304,305			RK73GB2A101J	CHIP R 100 J 1/10W		R587			RK73GB2A332J	CHIP R 3.3K J 1/10W	
R306			RK73GB2A103J	CHIP R 10K J 1/10W		R601-603			RK73GB2A472J	CHIP R 4.7K J 1/10W	
R307			RK73GB2A332J	CHIP R 3.3K J 1/10W		R604			RK73GB2A470J	CHIP R 47 J 1/10W	
R308			RK73GB2A105J	CHIP R 1.0M J 1/10W		R605-610			RK73GB2A220J	CHIP R 22 J 1/10W	
R309-312			RK73GB2A101J	CHIP R 100 J 1/10W		R612,613			RK73GB2A220J	CHIP R 22 J 1/10W	
R313			RK73GB2A473J	CHIP R 47K J 1/10W		R614			RK73GB2A330J	CHIP R 33 J 1/10W	
R360,361			RK73GB2A303J	CHIP R 30K J 1/10W		R615-617			RK73GB2A472J	CHIP R 4.7K J 1/10W	
R362			RK73GB2A472J	CHIP R 4.7K J 1/10W		R618,619			RK73GB2A220J	CHIP R 22 J 1/10W	
R363			RK73GB2A202J	CHIP R 2.0K J 1/10W		R620-627			RK73GB2A472J	CHIP R 4.7K J 1/10W	
R364			RK73GB2A361J	CHIP R 360 J 1/10W		R650			RK73GB2A332J	CHIP R 3.3K J 1/10W	
R365			RK73GB2A914J	CHIP R 910K J 1/10W		R651-654			RK73GB2A102J	CHIP R 1.0K J 1/10W	
R366,367			RK73GB2A471J	CHIP R 470 J 1/10W		R655			RK73GB2A750J	CHIP R 75 J 1/10W	
R368			RK73GB2A102J	CHIP R 1.0K J 1/10W		R656			RK73GB2A511J	CHIP R 510 J 1/10W	
R369			RK73GB2A471J	CHIP R 470 J 1/10W		R657			RK73GB2A152J	CHIP R 1.5K J 1/10W	
R370			RK73GB2A302J	CHIP R 3.0K J 1/10W		R658,659			RK73GB2A102J	CHIP R 1.0K J 1/10W	
R371			RN73GH1J182D	CHIP R 1.8K D 1/16W		R660			RK73GB2A103J	CHIP R 10K J 1/10W	
R372			RN73GH1J391D	CHIP R 390 D 1/16W		R661,662			RK73GB2A472J	CHIP R 4.7K J 1/10W	
R373			RK73GB2A101J	CHIP R 100 J 1/10W		R663,664			RK73GB2A101J	CHIP R 100 J 1/10W	
R374			RK73GB2A471J	CHIP R 470 J 1/10W		R665-668			RN73GH1J750D	CHIP R 75 D 1/16W	
R375			RK73GB2A101J	CHIP R 100 J 1/10W		R669			RN73GH1J151D	CHIP R 150 D 1/16W	
R380-383			RK73GB2A101J	CHIP R 100 J 1/10W		R670			RK73GB2A103J	CHIP R 10K J 1/10W	
R384,385			RK73GB2A471J	CHIP R 470 J 1/10W		R671,672			RK73GB2A104J	CHIP R 100K J 1/10W	
R386			RK73GB2A102J	CHIP R 1.0K J 1/10W		R673			RN73GH1J151D	CHIP R 150 D 1/16W	
R387			RN73GH1J473D	CHIP R 47K D 1/16W		R677			RK73GB2A432J	CHIP R 4.3K J 1/10W	
R388			RK73GB2A471J	CHIP R 470 J 1/10W		R678			RK73GB2A472J	CHIP R 4.7K J 1/10W	
R389			RK73GB2A272J	CHIP R 2.7K J 1/10W		R701,702			RK73GB2A472J	CHIP R 4.7K J 1/10W	
R400			RK73GB2A103J	CHIP R 10K J 1/10W		R703			RK73GB2A302J	CHIP R 3.0K J 1/10W	
R401			RK73GB2A680J	CHIP R 68 J 1/10W		R704,705			RK73GB2A201J	CHIP R 200 J 1/10W	
R402			RK73GB2A152J	CHIP R 1.5K J 1/10W		R706			RK73GB2A302J	CHIP R 3.0K J 1/10W	
R403			RK73GB2A101J	CHIP R 100 J 1/10W		R707			RK73GB2A471J	CHIP R 470 J 1/10W	
R404			RK73GB2A472J	CHIP R 4.7K J 1/10W		R708			RK73GB2A182J	CHIP R 1.8K J 1/10W	
R405			RK73GB2A272J	CHIP R 2.7K J 1/10W		R709			RK73GB2A100J	CHIP R 10 J 1/10W	
R406			RK73GB2A101J	CHIP R 100 J 1/10W		R710,711			RK73GB2A472J	CHIP R 4.7K J 1/10W	
R407			RK73GB2A272J	CHIP R 2.7K J 1/10W		R712			RK73GB2A302J	CHIP R 3.0K J 1/10W	

K: DDX7015 E: DDX7025 M: DDX7035 X: DDX7045 R: DDX7045 C: DDX7065
(K: North America E: Europe M: Other Areas X: Australia R: Latin America X: China)

△ Indicates safety critical components.

PARTS LIST

* New parts

Parts without **Parts No.** are not supplied.

Les articles non mentionnés dans le **Parts No.** ne sont pas fournis.

Teile ohne **Parts No.** werden nicht geliefert.

VIDEO CONTROL UNIT (X14-939x-xx)

Ref. No.	A d d	N e w	Parts No.	Description	Desti- nation	Ref. No.	A d d	N e w	Parts No.	Description	Desti- nation
R713,714			RK73GB2A201J	CHIP R 200 J 1/10W		W851			R92-1252-05	CHIP R 0 OHM J 1/16W	
R715			RK73GB2A302J	CHIP R 3.0K J 1/10W		W853			R92-1252-05	CHIP R 0 OHM J 1/16W	
R716			RK73GB2A471J	CHIP R 470 J 1/10W		W857,858			R92-2052-05	CHIP R 0 OHM J 1/10W	
R717			RK73GB2A182J	CHIP R 1.8K J 1/10W		W859-867			R92-1252-05	CHIP R 0 OHM J 1/16W	
R718			RK73GB2A100J	CHIP R 10 J 1/10W		W869,870			R92-1252-05	CHIP R 0 OHM J 1/16W	
R719			RK73GB2A682J	CHIP R 6.8K J 1/10W		W872-874			R92-1252-05	CHIP R 0 OHM J 1/16W	
R720			RK73GB2A222J	CHIP R 2.2K J 1/10W		W877,878			R92-1252-05	CHIP R 0 OHM J 1/16W	
R721			RK73GB2A392J	CHIP R 3.9K J 1/10W		W881-886			R92-1252-05	CHIP R 0 OHM J 1/16W	
R722			RK73GB2A102J	CHIP R 1.0K J 1/10W		W888			R92-1252-05	CHIP R 0 OHM J 1/16W	
R723,724			RK73GB2A223J	CHIP R 22K J 1/10W		W920			R92-2053-05	CHIP R 0 J 1/8W	
R725			RK73GB2A103J	CHIP R 10K J 1/10W		D100			1SR154-400	DIODE	
R753			RK73GB2A470J	CHIP R 47 J 1/10W		D101			RD16S	ZENER DIODE	
R770			RK73GB2A103J	CHIP R 10K J 1/10W		D102			RD6.8M(B2)	ZENER DIODE	
R771			RK73GB2A222J	CHIP R 2.2K J 1/10W		D104			DAN202U	DIODE	
R772-776			RK73GB2A472J	CHIP R 4.7K J 1/10W		D105			RD6.8M(B2)	ZENER DIODE	
R801-803			RK73EB2E102J	CHIP R 1.0K J 1/4W		D106			DAN202U	DIODE	
R805-810			RK73EB2E101J	CHIP R 100 J 1/4W		D107			MA3062-M	ZENER DIODE	
R811-814			RK73GB2A750J	CHIP R 75 J 1/10W		D108-111			EC31QS04	DIODE	
R850-857			RK73GB2A101J	CHIP R 100 J 1/10W		D113			EC31QS04	DIODE	
R859-866			RK73GB2A101J	CHIP R 100 J 1/10W		D114,115			SB05-05CP	DIODE	
R867			RK73GB2A102J	CHIP R 1.0K J 1/10W		D300			DAN202U	DIODE	
R916-919			RK73EB2E101J	CHIP R 100 J 1/4W		D301-303			DA204U	DIODE	
R922			RK73GB2A102J	CHIP R 1.0K J 1/10W		D501			DA204U	DIODE	
R924			RK73GB2A103J	CHIP R 10K J 1/10W		D701			DAP202U	DIODE	
R925			RN73GH1J123D	CHIP R 12K D 1/16W		D702			DA204U	DIODE	
R926			RN73GH1J152D	CHIP R 1.5K D 1/16W		D800-804			MA3062WA	ZENER DIODE	
R927			RN73GH1J243D	CHIP R 24K D 1/16W		D850-860			AVRM1608120M6A	VARISTOR	
R929			RK73GB2A102J	CHIP R 1.0K J 1/10W		D861			MA8062-M	ZENER DIODE	
W104,105			R92-1252-05	CHIP R 0 OHM J 1/16W		D862			DA204U	DIODE	
W107			R92-1252-05	CHIP R 0 OHM J 1/16W		D919,920			MA3062WA	ZENER DIODE	
W109-117			R92-1252-05	CHIP R 0 OHM J 1/16W		D924			AVRM1608120M6A	VARISTOR	
W121,122			R92-1252-05	CHIP R 0 OHM J 1/16W		IC100-102			FA7703V	ANALOGUE IC	
W163			R92-1252-05	CHIP R 0 OHM J 1/16W		IC103			TA78DL05F	ANALOGUE IC	
W164,165			R92-2053-05	CHIP R 0 J 1/8W		IC104			PQ1X331M2ZP	ANALOGUE IC	
W202			R92-1252-05	CHIP R 0 OHM J 1/16W		IC105			TC75W56FU	MOS-IC	
W237			R92-1252-05	CHIP R 0 OHM J 1/16W		IC106			TC7SH04FU	MOS-IC	
W300-302			R92-1252-05	CHIP R 0 OHM J 1/16W	KRM	IC107			M5237ML	ANALOGUE IC	
W300-302			R92-1252-05	CHIP R 0 OHM J 1/16W	CX	IC108			SI-3012KM	ANALOGUE IC	
W401			R92-1252-05	CHIP R 0 OHM J 1/16W		IC200			*****	MEMORY IC	
W408-414			R92-1252-05	CHIP R 0 OHM J 1/16W		IC203			LB1836M-TE-L	ANALOGUE IC	
W501			R92-1252-05	CHIP R 0 OHM J 1/16W		IC204		*	703068YGJ-108	MICROCONTROLLER IC	
W522			R92-1252-05	CHIP R 0 OHM J 1/16W		IC205			TC7SH08F	MOS-IC	
W580,581			R92-1252-05	CHIP R 0 OHM J 1/16W		IC206			TC7W14FU	MOS-IC	
W601			R92-1252-05	CHIP R 0 OHM J 1/16W		IC207			PST9142NR	ANALOGUE IC	
W603,604			R92-1252-05	CHIP R 0 OHM J 1/16W		IC300			TA78L05F	ANALOGUE IC	
W606-609			R92-1252-05	CHIP R 0 OHM J 1/16W		IC301			TDA4665T	ANALOGUE IC	EMC
W650-652			R92-1252-05	CHIP R 0 OHM J 1/16W		IC301			TDA4665T	ANALOGUE IC	X
W654			R92-1252-05	CHIP R 0 OHM J 1/16W		IC302			MM1389XFB	ANALOGUE IC	E
W658			R92-1252-05	CHIP R 0 OHM J 1/16W		IC303			AN2546FH-AV	ANALOGUE IC	
W660			R92-1252-05	CHIP R 0 OHM J 1/16W		IC304			MM1234XFB	ANALOGUE IC	
W701			R92-1252-05	CHIP R 0 OHM J 1/16W		IC305			NJU7200U30	ANALOGUE IC	
W753			R92-1252-05	CHIP R 0 OHM J 1/16W		IC306			TC7SH04FU	MOS-IC	
W770			R92-1252-05	CHIP R 0 OHM J 1/16W		IC361			TC7W00FU	MOS-IC	
W772-776			R92-1252-05	CHIP R 0 OHM J 1/16W		IC362			NJW1303V	ANALOGUE IC	
W800			R92-2053-05	CHIP R 0 J 1/8W		IC363,364			TC7W34FU	MOS-IC	

PARTS LIST

* New parts

Parts without **Parts No.** are not supplied.

Les articles non mentionnés dans le **Parts No.** ne sont pas fournis.

Teile ohne **Parts No.** werden nicht geliefert.

VIDEO CONTROL UNIT (X14-939x-xx)

Ref. No.	Add	New	Parts No.	Description	Destination
IC365			TC7WH123FU	MOS-IC	
IC400		*	LC74735NW9817E	MOS-IC	
IC401		*	MB29LV8T9TN6R2	ROM IC	
IC520		*	29LV160AT17R1	ROM IC	
IC521			K6F1008V2CYF55	SRAM IC	
IC522			TC7SH00FU	MOS-IC	
IC540,541			TC7SHU04FU	MOS-IC	
IC560			MT48LC4M16T75I	DRAM IC	
IC580			TC74VHCT08AFT	MOS-IC	
IC601			ES6218SF	MOS-IC	
IC650		*	MM1567AJBE	ANALOGUE IC	
IC651			UPC2905T	ANALOGUE IC	
IC652			ADV7170KSU	MOS-IC	
IC701			NJM4580V	ANALOGUE IC	
IC702			TA78L05F	ANALOGUE IC	
IC703			AK4382AVT	ANALOGUE IC	
IC750			TC7SHU04FU	MOS-IC	
IC770			M4A3212V18TV1	MOS-IC	
Q100-103			UN5212	DIGITAL TRANSISTOR	
Q104,105			2SD1819A	TRANSISTOR	
Q106			HAT1038R	FET	
Q107			2SC4081	TRANSISTOR	
Q108			DTA124EUA	DIGITAL TRANSISTOR	
Q109,110			HAT1016R	DUAL FET	
Q111			HAT3008R	DUAL FET	
Q112			2SB1184	TRANSISTOR	
Q113			2SA1576A	TRANSISTOR	
Q114			2SC4081	TRANSISTOR	
Q115			2SB1189	TRANSISTOR	
Q116			2SC4081	TRANSISTOR	
Q117			DTC323TU	DIGITAL TRANSISTOR	
Q118			2SB1218A	TRANSISTOR	
Q119			UN5212	DIGITAL TRANSISTOR	
Q120			2SA1576A	TRANSISTOR	
Q121			DTC144EUA	DIGITAL TRANSISTOR	
Q122			2SA1576A	TRANSISTOR	
Q123,124			2SC4081	TRANSISTOR	
Q170-175			DTC144EUA	DIGITAL TRANSISTOR	
Q200			UN5212	DIGITAL TRANSISTOR	
Q201			DTB123YK	DIGITAL TRANSISTOR	
Q202			UN5212	DIGITAL TRANSISTOR	
Q203			DTB123YK	DIGITAL TRANSISTOR	
Q204			UN5212	DIGITAL TRANSISTOR	
Q205			DTB123YK	DIGITAL TRANSISTOR	
Q206			UN5113	DIGITAL TRANSISTOR	
Q207			UN5212	DIGITAL TRANSISTOR	
Q300			2SA1576A	TRANSISTOR	EMC
Q300			2SA1576A	TRANSISTOR	X
Q360			2SC4081	TRANSISTOR	
Q361,362			2SA1576A	TRANSISTOR	
Q400-402			2SA1576A	TRANSISTOR	
Q403			DTC143EUA	DIGITAL TRANSISTOR	ERM
Q403			DTC143EUA	DIGITAL TRANSISTOR	CX
Q650			DTA144EUA	DIGITAL TRANSISTOR	
Q652			DTC144EUA	DIGITAL TRANSISTOR	

Ref. No.	Add	New	Parts No.	Description	Destination
Q701-703			2SC4081	TRANSISTOR	
Q704			DTC114TUA	DIGITAL TRANSISTOR	
Q705-707			DTA114TUA	DIGITAL TRANSISTOR	
ELECTRIC UNIT (X34-316x-xx)					
C1			CK73GB1E473K	CHIP C 0.047UF	K
C2			CD04AS1C100M	ELECTRO 10UF	16WV
C3			C90-5619-05	ELECTRO 220UF	16WV
C4			C90-5572-05	ELECTRO 100UF	10WV
C5		*	C90-5699-05	ELECTRO 0.047F	5.5WV
C6			CK73FB1C105K	CHIP C 1.0UF	K
C7			CD04AY1A221M	ELECTRO 220UF	10WV
C10			CK73FB1A105K	CHIP C 1.0UF	K
C11			CD04AY1A221M	ELECTRO 220UF	10WV
C21,22			CK73GB1H103K	CHIP C 0.010UF	K
C23		*	C90-5612-05	ELECTRO 3900UF	16WV
C24			CK73FB1C105K	CHIP C 1.0UF	K
C25			CK73GB1C104K	CHIP C 0.10UF	K
C26			CK73FB1C105K	CHIP C 1.0UF	K
C27			CD04AS1H3R3M	ELECTRO 3.3UF	50WV
C28,29			CK73GB1H103K	CHIP C 0.010UF	K
C100			CK73GB1H104K	CHIP C 0.10UF	K
C101			CK73GB1H103K	CHIP C 0.010UF	K
C102			CK73GB1H104K	CHIP C 0.10UF	K
C104			CK73GB1H103K	CHIP C 0.010UF	K
C105			CD04AT0J331M	ELECTRO 330UF	6.3WV
C106,107			CC73GCH1H100D	CHIP C 10PF	D
C108-110			CK73GB1H103K	CHIP C 0.010UF	K
C111			CK73GB1A105K	CHIP C 1.0UF	K
C200,201			CC73GCH1H100D	CHIP C 10PF	D
C200,201			CC73GCH1H100D	CHIP C 10PF	D
C202-205			C92-1427-05	ELECTRO 100UF	16WV
C211			CC73GCH1H331J	CHIP C 330PF	J
C211			CC73GCH1H331J	CHIP C 330PF	J
C212			CD04AS1C100M	ELECTRO 10UF	16WV
C212			CD04AS1C100M	ELECTRO 10UF	16WV
C213-216			CK73GB1H103K	CHIP C 0.010UF	K
C217			CD04AS1C100M	ELECTRO 10UF	16WV
C217			CD04AS1C100M	ELECTRO 10UF	16WV
C218			CK73GB1H103K	CHIP C 0.010UF	K
C218		*	CK73GB1H103K	CHIP C 0.010UF	K
C250,251			C94-0026-05	ELECTRO 1UF	50WV
C252			CK73GB1A105K	CHIP C 1.0UF	K
C253			CK73GB1A474K	CHIP C 0.47UF	K
C254-257			C90-5620-05	ELECTRO 0.47UF	50WV
C258		*	CD04BA1C220M	ELECTRO 22UF	16WV
C300			CK73FB1C334K	CHIP C 0.33UF	K
C301			CK73GB1A334K	CHIP C 0.33UF	K
C302			CK73FB1C334K	CHIP C 0.33UF	K
C303			CK73GB1A334K	CHIP C 0.33UF	K
C304			CK73FB1C334K	CHIP C 0.33UF	K
C305			CK73GB1A334K	CHIP C 0.33UF	K
C306			CK73FB1C334K	CHIP C 0.33UF	K
C307			CK73GB1A334K	CHIP C 0.33UF	K
C308,309			CK73GB1C104K	CHIP C 0.10UF	K

K : DDX7015 E : DDX7025 M : DDX7035 X : DDX7045 R : DDX7045 C : DDX7065
(K : North America E : Europe M : Other Areas X : Australia R : Latin America X : China)

△ Indicates safety critical components.

PARTS LIST

* New parts

Parts without **Parts No.** are not supplied.

Les articles non mentionnés dans le **Parts No.** ne sont pas fournis.

Teile ohne **Parts No.** werden nicht geliefert.

ELECTRIC UNIT (X34-316x-xx)

Ref. No.	A d d	N e w	Parts No.	Description	Desti- nation
C310			CD04AS1C470M	ELECTRO 47UF 16WV	
C311			CK73GB1C104K	CHIP C 0.10UF K	
C312			CD04AS1H010M	ELECTRO 1UF 50WV	
C313-315			CK73GB1C104K	CHIP C 0.10UF K	
C316			CK73GB1H103K	CHIP C 0.010UF K	
C317			CC73GCH1H221J	CHIP C 220PF J	
C318			CK73GB1A474K	CHIP C 0.47UF K	
C319			CK73FB1C105K	CHIP C 1.0UF K	
C320			C92-0025-05	CHIP-ELE 3.3UF 50WV	
C321			CD04AS1C470M	ELECTRO 47UF 16WV	
C322			CK73GB1H103K	CHIP C 0.010UF K	
C323			C92-0025-05	CHIP-ELE 3.3UF 50WV	
C324-331			CK73FB1C105K	CHIP C 1.0UF K	
C332,333			CK73FB1A225K	CHIP C 2.2UF K	
C334			C92-1409-05	ELECTRO 2.2UF 50WV	
C335,336			CK73FB1C105K	CHIP C 1.0UF K	
C339,340			CK73FB1C105K	CHIP C 1.0UF K	
C343-346			CK73FB1C105K	CHIP C 1.0UF K	
C350,351		*	CD04AS1H4R7M	ELECTRO 4.7UF 50WV	
C352			CD04AS0J101M	ELECTRO 100UF 6.3WV	
C353			CK73GB1H103K	CHIP C 0.010UF K	
C354			CD04AS1C220M	ELECTRO 22UF 16WV	
C355			CD04AS1C100M	ELECTRO 10UF 16WV	
C400			CD04AS0J470M	ELECTRO 47UF 6.3WV	
C401,402			CD04AS1H2R2M	ELECTRO 2.2UF 50WV	
C450,451			C92-0687-05	ELECTRO 2.2UF 50WV	
C452			C92-0674-05	ELECTRO 47UF 16WV	
C453			CD04AS1C100M	ELECTRO 10UF 16WV	
C454			C92-1429-05	ELECTRO 220UF 6.3WV	
C455			CK73GB1C104K	CHIP C 0.10UF K	
C456			C92-1429-05	ELECTRO 220UF 6.3WV	
C457			CK73GB1C104K	CHIP C 0.10UF K	
C458			CK73GB1H103K	CHIP C 0.010UF K	
C459			C92-1429-05	ELECTRO 220UF 6.3WV	
C460			CK73GB1C104K	CHIP C 0.10UF K	
C461			C92-1428-05	ELECTRO 330UF 6.3WV	
C462			CK73GB1C104K	CHIP C 0.10UF K	
C463			CK73GB1H103K	CHIP C 0.010UF K	
C464,465			CK73GB1C104K	CHIP C 0.10UF K	
C466			CK73GB1H103K	CHIP C 0.010UF K	E
C500		*	CD04AS1H4R7M	ELECTRO 4.7UF 50WV	
C501			CD04AS0J470M	ELECTRO 47UF 6.3WV	
C502		*	CD04AS1H4R7M	ELECTRO 4.7UF 50WV	
C503			CK73GB1H103K	CHIP C 0.010UF K	
C504			CD04AS1C220M	ELECTRO 22UF 16WV	
C505			CD04AS1C100M	ELECTRO 10UF 16WV	
C506-508			CK73GB1C104K	CHIP C 0.10UF K	E
C509			CD04AS0J470M	ELECTRO 47UF 6.3WV	E
C510			CK73GB1H103K	CHIP C 0.010UF K	E
C511-513			CK73GB1C104K	CHIP C 0.10UF K	E
C550			CK73GB1H103K	CHIP C 0.010UF K	
C551			CK73GB1A105K	CHIP C 1.0UF K	
C552			CK73GB1H103K	CHIP C 0.010UF K	
C553			CD04AS0J470M	ELECTRO 47UF 6.3WV	
C554			CK73GB0J225K	CHIP C 2.2UF K	

Ref. No.	A d d	N e w	Parts No.	Description	Desti- nation
C555			CD04AS1C100M	ELECTRO 10UF 16WV	
C556			CK73GB0J225K	CHIP C 2.2UF K	
C558,559			CK73GB1A105K	CHIP C 1.0UF K	
C560			CK73GB1H104K	CHIP C 0.10UF K	
C561			CK73GB0J225K	CHIP C 2.2UF K	
C562			CK73GB1H103K	CHIP C 0.010UF K	
C566			CK73GB1H103K	CHIP C 0.010UF K	
C569			CK73GB1H103K	CHIP C 0.010UF K	
C570			CK73GB1H561K	CHIP C 560PF K	
C571			CK73GB0J105K	CHIP C 1.0UF K	
C572			CK73GB1H561K	CHIP C 560PF K	
C574			CK73GB1H103K	CHIP C 0.010UF K	
C600-605			CD04AS1C100M	ELECTRO 10UF 16WV	
C606		*	C90-5569-05	ELECTRO 470UF 6.3WV	
C607			CD04AS1C100M	ELECTRO 10UF 16WV	
C609,610			CK73GB1H222K	CHIP C 2200PF K	
C611			CD04AS1C100M	ELECTRO 10UF 16WV	
C612		*	CD04AS1H4R7M	ELECTRO 4.7UF 50WV	
C613			CK73GB1H103K	CHIP C 0.010UF K	
C614		*	CD04AS1H4R7M	ELECTRO 4.7UF 50WV	
C615			CD04AS1C220M	ELECTRO 22UF 16WV	
C616			CD04AS1A470M	ELECTRO 47UF 10WV	
C622			CD04AS1C100M	ELECTRO 10UF 16WV	
C627			CK73GB1H102K	CHIP C 1000PF K	
C629			CK73GB1H102K	CHIP C 1000PF K	
C631			CK73GB1H102K	CHIP C 1000PF K	
C633-635			CK73GB1H102K	CHIP C 1000PF K	
C643,644			CK73GB1H103K	CHIP C 0.010UF K	
C700			CD04BA1E4R7M	ELECTRO 4.7UF 25WV	
C701			CK73GB1H103K	CHIP C 0.010UF K	
C702			CD04BA1E4R7M	ELECTRO 4.7UF 25WV	
C703-706			C92-0671-05	ELECTRO 10UF 16WV	
C707			CK73GB1H103K	CHIP C 0.010UF K	
C708			CD04AS1C100M	ELECTRO 10UF 16WV	
C709,710			C92-1427-05	ELECTRO 100UF 16WV	
C711,712			CK73GB1C104K	CHIP C 0.10UF K	
C714			CK73GB1H103K	CHIP C 0.010UF K	
C715			CK73GB1H104K	CHIP C 0.10UF K	
C716			CC73GCH1H150J	CHIP C 15PF J	
C717-719			CK73GB1H103K	CHIP C 0.010UF K	
C723,724			CK73GB1H102K	CHIP C 1000PF K	
C770			CK73GB1H103K	CHIP C 0.010UF K	
C771			CD04AS1C100M	ELECTRO 10UF 16WV	
C902			CK73GB1E223K	CHIP C 0.022UF K	EM
C904			CC73GCH1H060D	CHIP C 6.0PF D	EM
C905			CK73GB1H222K	CHIP C 2200PF K	EM
C906			CK73GB1H102K	CHIP C 1000PF K	EM
C907			CC73GCH1H820J	CHIP C 82PF J	EM
C908			CK73GB1H152K	CHIP C 1500PF K	EM
C909			CK73GB1H682K	CHIP C 6800PF K	EM
C910			CC73GCH1H471J	CHIP C 470PF J	EM
C911			CC73GCH1H121J	CHIP C 120PF J	EM
C912			CC73GCH1H102J	CHIP C 1000PF J	EM
C913			CK73GB1H221K	CHIP C 220PF K	EM
C914			CC73GCH1H180J	CHIP C 18PF J	EM

K : DDX7015 E : DDX7025 M : DDX7035 X : DDX7045 R : DDX7045 C : DDX7065
(K : North America E : Europe M : Other Areas X : Australia R : Latin America X : China)

△ Indicates safety critical components.

PARTS LIST

* New parts

Parts without **Parts No.** are not supplied.

Les articles non mentionnés dans le **Parts No.** ne sont pas fournis.

Teile ohne **Parts No.** werden nicht geliefert.

ELECTRIC UNIT (X34-316x-xx)

Ref. No.	Add	New	Parts No.	Description	Destination	Ref. No.	Add	New	Parts No.	Description	Destination
C915			CC73GCH1H102J	CHIP C 1000PF J	EM	R31			RK73EB2E103J	CHIP R 10K J 1/4W	
C916			CK73GB1H221K	CHIP C 220PF K	EM	R32			RK73EB2E472J	CHIP R 4.7K J 1/4W	
C954			CK73GB1H103K	CHIP C 0.010UF K		R33			RK73GB2A104J	CHIP R 100K J 1/10W	
C960			CK73GB1H103K	CHIP C 0.010UF K		R34,35			R92-0365-05	CHIP R 1.0K J 1/2W	
						R36			RK73GB2A223J	CHIP R 22K J 1/10W	
CN1		*	E41-0959-05	PIN ASSY		R37,38			RK73FB2B472J	CHIP R 4.7K J 1/8W	
CN3		*	E41-0959-05	PIN ASSY		R39			R92-0366-05	CHIP R 560 J 1W	KRM
CN4,5			E40-9423-05	SOCKET FOR PIN ASSY		R40			RK73GB2A223J	CHIP R 22K J 1/10W	KRM
CN7		*	E41-0422-05	FLAT CABLE CONNECTOR		R40			RK73GB2A223J	CHIP R 22K J 1/10W	CX
CN8		*	E41-2114-05	FLAT CABLE CONNECTOR							
CN9		*	E41-0422-05	FLAT CABLE CONNECTOR							
CN10		*	E41-2114-05	FLAT CABLE CONNECTOR		R41			RK73GB2A103J	CHIP R 10K J 1/10W	
CN100			E40-9409-05	PIN ASSY		R42			RK73GB2A223J	CHIP R 22K J 1/10W	
CN200,201			E40-9421-05	PIN ASSY		R43			RK73GB2A104J	CHIP R 100K J 1/10W	
CN350		*	E41-0938-05	PIN ASSY		R44			RK73GB2A223J	CHIP R 22K J 1/10W	
						R45			RK73FB2B561J	CHIP R 560 J 1/8W	
CN450		*	E41-2074-05	PIN ASSY		R46			RK73GB2A473J	CHIP R 47K J 1/10W	
CN600		*	E41-0935-05	PIN ASSY		R47			RK73GB2A102J	CHIP R 1.0K J 1/10W	
CN601		*	E41-0934-05	PIN ASSY		R50			RK73GB2A104J	CHIP R 100K J 1/10W	
CN700		*	E41-2077-05	PIN ASSY		R100			RK73GB2A104J	CHIP R 100K J 1/10W	
△ J1			E58-0863-15	RECTANGULAR RECEPTACLE		R101,102			RK73GB2A103J	CHIP R 10K J 1/10W	
J400			E56-0843-05	CYLINDRICAL RECEPTACLE		R104-106			RK73GB2A104J	CHIP R 100K J 1/10W	
J450			E58-0899-05	RECTANGULAR RECEPTACLE		R107-109			RK73GB2A101J	CHIP R 100 J 1/10W	
J500			E58-0900-05	RECTANGULAR RECEPTACLE		R110			RK73GB2A104J	CHIP R 100K J 1/10W	
J700			E58-0886-05	RECTANGULAR RECEPTACLE		R112,113			RK73GB2A101J	CHIP R 100 J 1/10W	
J701		*	E56-0854-05	CYLINDRICAL RECEPTACLE		R114		*	RK73GB2A510J	CHIP R 51 J 1/10W	
W200		*	E30-6344-25	CORD WITH PLUG (ANT)		R115,116			RK73GB2A104J	CHIP R 100K J 1/10W	
L2			L33-1102-05	CHOKE COIL		R117			RK73GB2A101J	CHIP R 100 J 1/10W	
L100		*	L41-1005-33	SMALL FIXED INDUCTOR		R118			RK73GB2A472J	CHIP R 4.7K J 1/10W	
L101			L92-0330-05	CHIP FERRITE		R119			RK73GB2A101J	CHIP R 100 J 1/10W	
L200-203			L41-4795-33	SMALL FIXED INDUCTOR		R120			RK73GB2A472J	CHIP R 4.7K J 1/10W	
L204			L33-1123-05	LINE FILTER COIL		R121,122			RK73GB2A102J	CHIP R 1.0K J 1/10W	
L205			L41-4795-33	SMALL FIXED INDUCTOR	EKR	R123			RK73GB2A473J	CHIP R 47K J 1/10W	
L205			L41-4795-33	SMALL FIXED INDUCTOR	M	R124			RK73GB2A102J	CHIP R 1.0K J 1/10W	
L300			L41-4795-33	SMALL FIXED INDUCTOR		R125			RK73GB2A223J	CHIP R 22K J 1/10W	
L500		*	L41-1005-33	SMALL FIXED INDUCTOR	E	R126			RK73GB2A102J	CHIP R 1.0K J 1/10W	
L551		*	L41-1005-33	SMALL FIXED INDUCTOR							
L700		*	L41-1005-33	SMALL FIXED INDUCTOR		R127			RK73GB2A103J	CHIP R 10K J 1/10W	
X100		*	L77-2871-05	CRYSTAL RESONATOR (18.874MHZ)		R128			RK73GB2A101J	CHIP R 100 J 1/10W	
X200			L77-2002-05	CRYSTAL RESONATOR	EKR	R129			RK73GB2A103J	CHIP R 10K J 1/10W	
X200			L77-2002-05	CRYSTAL RESONATOR	M	R130			RK73GB2A101J	CHIP R 100 J 1/10W	
						R131			RK73GB2A103J	CHIP R 10K J 1/10W	
M	2C		N86-2606-48	BINDING HEAD TAPTITE SCREW		R132			RK73GB2A101J	CHIP R 100 J 1/10W	
R1			RK73GB2A101J	CHIP R 100 J 1/10W		R133			RK73GB2A222J	CHIP R 2.2K J 1/10W	
R2			RK73GB2A223J	CHIP R 22K J 1/10W		R134,135			RK73GB2A104J	CHIP R 100K J 1/10W	
R3			RK73GB2A222J	CHIP R 2.2K J 1/10W		R136			RK73GB2A101J	CHIP R 100 J 1/10W	
R4			RK73GB2A223J	CHIP R 22K J 1/10W		R137-143			RK73GB2A104J	CHIP R 100K J 1/10W	
R5			RK73FB2B221J	CHIP R 220 J 1/8W							
R6			RK73GB2A153J	CHIP R 15K J 1/10W		R144			RK73GB2A223J	CHIP R 22K J 1/10W	
R7			RN73GH1J243D	CHIP R 24K D 1/16W		R145,146			RK73GB2A104J	CHIP R 100K J 1/10W	
R8		*	RN73GH1J432D	CHIP R 4.3K D 1/16W		R147			RK73GB2A101J	CHIP R 100 J 1/10W	
R15			RK73FB2B221J	CHIP R 220 J 1/8W		R148			RK73GB2A103J	CHIP R 10K J 1/10W	
R16			RK73GB2A153J	CHIP R 15K J 1/10W		R150			RK73GB2A104J	CHIP R 100K J 1/10W	
R17			RN73GH1J153D	CHIP R 15K D 1/16W							
R18			RN73GH1J512D	CHIP R 5.1K D 1/16W		R155			RK73GB2A103J	CHIP R 10K J 1/10W	RCX
R30			RK73EB2E102J	CHIP R 1.0K J 1/4W		R156,157			RK73GB2A103J	CHIP R 10K J 1/10W	EKM
						R157			RK73GB2A103J	CHIP R 10K J 1/10W	RCX
						R159			RK73GB2A103J	CHIP R 10K J 1/10W	ERM
						R160,161			RK73GB2A103J	CHIP R 10K J 1/10W	KCX

K: DDX7015 E: DDX7025 M: DDX7035 X: DDX7045 R: DDX7045 C: DDX7065
(K: North America E: Europe M: Other Areas X: Australia R: Latin America X: China)

△ Indicates safety critical components.

PARTS LIST

* New parts

Parts without **Parts No.** are not supplied.

Les articles non mentionnés dans le **Parts No.** ne sont pas fournis.

Teile ohne **Parts No.** werden nicht geliefert.

ELECTRIC UNIT (X34-316x-xx)

Ref. No.	A d d	N e w	Parts No.	Description	Desti- nation	Ref. No.	A d d	N e w	Parts No.	Description	Desti- nation
R161			RK73GB2A103J	CHIP R 10K J 1/10W	ERM	R510-513			RK73GB2A750J	CHIP R 75 J 1/10W	
R163			RK73GB2A103J	CHIP R 10K J 1/10W	KRM	R514			RK73GB2A472J	CHIP R 4.7K J 1/10W	
R163			RK73GB2A103J	CHIP R 10K J 1/10W	X	R550-553			RK73GB2A103J	CHIP R 10K J 1/10W	
R164			RK73GB2A103J	CHIP R 10K J 1/10W	EC	R562			RK73GB2A561J	CHIP R 560 J 1/10W	
R170-175			RK73GB2A101J	CHIP R 100 J 1/10W		R563			RK73GB2A334J	CHIP R 330K J 1/10W	
R177			RK73GB2A223J	CHIP R 22K J 1/10W		R564			RK73GB2A103J	CHIP R 10K J 1/10W	
R178			RK73GB2A102J	CHIP R 1.0K J 1/10W		R600			RK73FB2B361J	CHIP R 360 J 1/8W	
R200			RK73GB2A223J	CHIP R 22K J 1/10W		R601,602			RK73GB2A223J	CHIP R 22K J 1/10W	
R201			RK73GB2A222J	CHIP R 2.2K J 1/10W	EKR	R603,604			RK73FB2B361J	CHIP R 360 J 1/8W	
R201			RK73GB2A222J	CHIP R 2.2K J 1/10W	M	R605,606			RK73GB2A223J	CHIP R 22K J 1/10W	
R202,203			RK73GB2A102J	CHIP R 1.0K J 1/10W		R607,608			RK73FB2B361J	CHIP R 360 J 1/8W	
R204,205			RK73GB2A222J	CHIP R 2.2K J 1/10W	EKR	R609,610			RK73GB2A223J	CHIP R 22K J 1/10W	
R204,205			RK73GB2A222J	CHIP R 2.2K J 1/10W	M	R611			RK73FB2B361J	CHIP R 360 J 1/8W	
R254			RK73GB2A473J	CHIP R 47K J 1/10W		R612			RK73EB2E430J	CHIP R 43 J 1/4W	
R255			RK73GB2A331J	CHIP R 330 J 1/10W		R613-615			RK73FB2B181J	CHIP R 180 J 1/8W	
R256			RK73GB2A154J	CHIP R 150K J 1/10W		R616			RK73GB2A361J	CHIP R 360 J 1/10W	
R257			RK73GB2A682J	CHIP R 6.8K J 1/10W		R617			RK73GB2A101J	CHIP R 100 J 1/10W	
R258			RK73GB2A100J	CHIP R 10 J 1/10W		R618,619			RK73GB2A223J	CHIP R 22K J 1/10W	
R259			RK73GB2A362J	CHIP R 3.6K J 1/10W		R620			RK73GB2A101J	CHIP R 100 J 1/10W	
R300,301			RK73GB2A472J	CHIP R 4.7K J 1/10W		R621			RK73GB2A361J	CHIP R 360 J 1/10W	
R302			RK73GB2A473J	CHIP R 47K J 1/10W		R622			RK73GB2A750J	CHIP R 75 J 1/10W	
R303			RK73GB2A272J	CHIP R 2.7K J 1/10W		R623,624			RK73EB2E100J	CHIP R 10 J 1/4W	
R304			RK73GB2A103J	CHIP R 10K J 1/10W		R625			RK73EB2E4R7J	CHIP R 4.7 J 1/4W	
R305			RK73GB2A222J	CHIP R 2.2K J 1/10W	CX	R626-628			RK73FB2B181J	CHIP R 180 J 1/8W	
R305,306			RK73GB2A222J	CHIP R 2.2K J 1/10W	EKR	R629			RK73GB2A472J	CHIP R 4.7K J 1/10W	
R305,306			RK73GB2A222J	CHIP R 2.2K J 1/10W	M	R700			RK73EB2E181J	CHIP R 180 J 1/4W	
R350			RK73GB2A472J	CHIP R 4.7K J 1/10W		R701			RK73FB2B223J	CHIP R 22K J 1/8W	
R359,360			RK73EB2E100J	CHIP R 10 J 1/4W		R702			RK73EB2E181J	CHIP R 180 J 1/4W	
R361			RK73EB2E4R7J	CHIP R 4.7 J 1/4W		R703-706			RK73EB2E100J	CHIP R 10 J 1/4W	
R362			RK73EB2E472J	CHIP R 4.7K J 1/4W		R707			RK73EB2E102J	CHIP R 1.0K J 1/4W	
R363			RK73EB2E101J	CHIP R 100 J 1/4W		R709-711			RK73EB2E101J	CHIP R 100 J 1/4W	
R364-367			RK73EB2E472J	CHIP R 4.7K J 1/4W		R713			RK73GB2A103J	CHIP R 10K J 1/10W	
R368,369			RK73EB2E101J	CHIP R 100 J 1/4W		R714			RN73GH1J473D	CHIP R 47K D 1/16W	
R400			RK73EB2E102J	CHIP R 1.0K J 1/4W		R715,716			RN73GH1J472D	CHIP R 4.7K D 1/16W	
R401-404			RK73GB2A750J	CHIP R 75 J 1/10W		R717,718			RN73GH1J473D	CHIP R 47K D 1/16W	
R405,406			RK73EB2E102J	CHIP R 1.0K J 1/4W		R719,720			RN73GH1J472D	CHIP R 4.7K D 1/16W	
R407			RK73EB2E4R7J	CHIP R 4.7 J 1/4W		R721			RN73GH1J473D	CHIP R 47K D 1/16W	
R408,409			RK73EB2E100J	CHIP R 10 J 1/4W		R722-725			RN73GH1J472D	CHIP R 4.7K D 1/16W	
R450			RK73GB2A473J	CHIP R 47K J 1/10W	E	R726			RK73GB2A102J	CHIP R 1.0K J 1/10W	
R452,453			RK73GB2A120J	CHIP R 12 J 1/10W		R727			RN73GH1J682D	CHIP R 6.8K D 1/16W	
R454			RK73GB2A4R7J	CHIP R 4.7 J 1/10W		R728			RK73GB2A102J	CHIP R 1.0K J 1/10W	
R455			RK73GB2A750J	CHIP R 75 J 1/10W		R730			RN73GH1J103D	CHIP R 10K D 1/16W	
R456,457			RK73EB2E750J	CHIP R 75 J 1/4W		R731-738			RN73GH1J472D	CHIP R 4.7K D 1/16W	
R460			RK73EB2E750J	CHIP R 75 J 1/4W		R739-742			RK73GB2A103J	CHIP R 10K J 1/10W	
R466			RK73EB2E750J	CHIP R 75 J 1/4W		R743			RK73GB2A473J	CHIP R 47K J 1/10W	
R467-469			RK73EB2E102J	CHIP R 1.0K J 1/4W	E	R744,745			RK73EB2E4R7J	CHIP R 4.7 J 1/4W	
R467,468			RK73EB2E102J	CHIP R 1.0K J 1/4W	KRM	R746			RK73GB2A220J	CHIP R 22 J 1/10W	
R467,468			RK73EB2E102J	CHIP R 1.0K J 1/4W	CX	R747			RK73GB2A101J	CHIP R 100 J 1/10W	
R470,471			RK73GB2A103J	CHIP R 10K J 1/10W		R748			RK73GB2A220J	CHIP R 22 J 1/10W	
R500			RK73EB2E100J	CHIP R 10 J 1/4W		R749			RK73EB2E391J	CHIP R 390 J 1/4W	
R501			RK73EB2E4R7J	CHIP R 4.7 J 1/4W		R750			RK73GB2A152J	CHIP R 1.5K J 1/10W	
R502			RK73EB2E100J	CHIP R 10 J 1/4W		R751			RK73GB2A102J	CHIP R 1.0K J 1/10W	
R503,504			RK73EB2E102J	CHIP R 1.0K J 1/4W		R752			RK73EB2E100J	CHIP R 10 J 1/4W	
R505-507			RK73EB2E101J	CHIP R 100 J 1/4W		R753			RK73GB2A361J	CHIP R 360 J 1/10W	
R508,509			RK73EB2E102J	CHIP R 1.0K J 1/4W		R754,755			RK73FB2B223J	CHIP R 22K J 1/8W	

K : DDX7015 E : DDX7025 M : DDX7035 X : DDX7045 R : DDX7045 C : DDX7065
(K : North America E : Europe M : Other Areas X : Australia R : Latin America X : China)

△ Indicates safety critical components.

PARTS LIST

* New parts

Parts without **Parts No.** are not supplied.

Les articles non mentionnés dans le **Parts No.** ne sont pas fournis.

Teile ohne **Parts No.** werden nicht geliefert.

ELECTRIC UNIT (X34-316x-xx)

Ref. No.	Add	New	Parts No.	Description	Destination	Ref. No.	Add	New	Parts No.	Description	Destination
R756			RK73GB2A361J	CHIP R 360 J 1/10W		D453-456			DA204U	DIODE	
R770			RK73GB2A432J	CHIP R 4.3K J 1/10W		D457			MA3062WA	ZENER DIODE	
R904			RK73GB2A823J	CHIP R 82K J 1/10W	EM	D462			DAN202U	DIODE	
R905,906			RK73GB2A103J	CHIP R 10K J 1/10W	EM	D500,501			MA8062-M	ZENER DIODE	
R907			RK73GB2A104J	CHIP R 100K J 1/10W	EM	D502			RD6.8MW	ZENER DIODE	
R908			RK73GB2A103J	CHIP R 10K J 1/10W	EM	D503-505			MA3062WA	ZENER DIODE	
R909			RK73GB2A153J	CHIP R 15K J 1/10W	EM	D506			DA204U	DIODE	KRM
R910			RK73GB2A103J	CHIP R 10K J 1/10W	EM	D506			DA204U	DIODE	CX
R911			RK73GB2A562J	CHIP R 5.6K J 1/10W	EM	D506-511			DA204U	DIODE	E
R912,913			RK73GB2A103J	CHIP R 10K J 1/10W	EM	D508			DA204U	DIODE	KRM
R914			RK73GB2A333J	CHIP R 33K J 1/10W	EM	D508			DA204U	DIODE	CX
R915			RK73GB2A103J	CHIP R 10K J 1/10W	EM	D510			DA204U	DIODE	KRM
R916			RK73GB2A272J	CHIP R 2.7K J 1/10W	EM	D510			DA204U	DIODE	CX
R917			RK73GB2A222J	CHIP R 2.2K J 1/10W	EM	D550-557			DA204U	DIODE	
R918-921			RK73GB2A472J	CHIP R 4.7K J 1/10W		D602,603			DAP202U	DIODE	
W1			R92-2053-05	CHIP R 0 J 1/8W		D604			MA3062WA	ZENER DIODE	
W33			R92-1252-05	CHIP R 0 OHM J 1/16W	E	D605			DAP202U	DIODE	
W102-107			R92-1252-05	CHIP R 0 OHM J 1/16W		D606			RD6.8MW	ZENER DIODE	
W110			R92-1252-05	CHIP R 0 OHM J 1/16W		D607			MA8062-M	ZENER DIODE	
W251			R92-2053-05	CHIP R 0 J 1/8W		D610-612			DAP202U	DIODE	
W252			R92-1252-05	CHIP R 0 OHM J 1/16W		D700,701			RD6.8MW	ZENER DIODE	
W450			R92-1252-05	CHIP R 0 OHM J 1/16W	KRM	D702-704			MA3062WA	ZENER DIODE	
W450			R92-1252-05	CHIP R 0 OHM J 1/16W	CX	D705			MA8062-M	ZENER DIODE	
W454			R92-1252-05	CHIP R 0 OHM J 1/16W		D706			MA8068-M	ZENER DIODE	
W500-505			R92-1252-05	CHIP R 0 OHM J 1/16W	KRM	D707			RD6.8MW	ZENER DIODE	
W500-505			R92-1252-05	CHIP R 0 OHM J 1/16W	CX	D708			DAP202U	DIODE	
W900			R92-1252-05	CHIP R 0 OHM J 1/16W	EM	D709		*	AVRM1608270MAA	VARIATOR	
D1			MA8056-M	ZENER DIODE		D710			DA204U	DIODE	
D5			RM10ZLF	DIODE		D711			MA8068-M	ZENER DIODE	
D6			1SR154-400	DIODE	E	D712			DAP202U	DIODE	
D6,7			1SR154-400	DIODE	KRM	D901			DAN202U	DIODE	EM
D6,7			1SR154-400	DIODE	CX	IC1			M5237ML	ANALOGUE IC	
D8			DAP202U	DIODE		IC3			M5237ML	ANALOGUE IC	
D9,10			1SR154-400	DIODE		IC100		*	HD74HC02FP-E	MOS-IC	
D11			MA8068-M	ZENER DIODE		IC101			S-80842C9NB	MOS-IC	
D12			MA8056-M	ZENER DIODE		IC103		*	703069YGJ-104	MICROCONTROLLER IC	
D13			MA8047-M	ZENER DIODE		IC200			TDA7479D	ANALOGUE IC	EKR
D200			IMSA-6801	SURGE ABSORBER		IC200			TDA7479D	ANALOGUE IC	M
D250			DAP202U	DIODE		IC250			TB2903H	ANALOGUE IC	
D350			RD6.8MW	ZENER DIODE		IC300			TDA7401	ANALOGUE IC	
D351			MA8062-M	ZENER DIODE		IC301			E-TDA7414	ANALOGUE IC	
D352-355			MA3062WA	ZENER DIODE		IC350			BA3121F	ANALOGUE IC	
D400			MA8062-M	ZENER DIODE		IC400			TC7SH08FU	MOS-IC	
D401			MA3062WA	ZENER DIODE		IC450,451			NJM2267V	ANALOGUE IC	
D402			MA8062-M	ZENER DIODE		IC452			TC7SH14FU	MOS-IC	
D403			RD6.8MW	ZENER DIODE		IC453			TC7SH08FU	MOS-IC	E
D404,405			DA204U	DIODE		IC500			BA3121F	ANALOGUE IC	
D406-408			MA3062WA	ZENER DIODE	KRM	IC501			MM1234XFBE	ANALOGUE IC	E
D406-408			MA3062WA	ZENER DIODE	CX	IC550		*	TC4052BFT	MOS-IC	
D406-413			MA3062WA	ZENER DIODE	E	IC551		*	MM1503	ANALOGUE IC	
D412,413			MA3062WA	ZENER DIODE		IC552			MM1108XFFE	ANALOGUE IC	
D412,413			MA3062WA	ZENER DIODE	KRM	IC553			BA7652AF	ANALOGUE IC	
D451			MA8062-M	ZENER DIODE		IC554		*	TC4052BFT	MOS-IC	
D452			RD6.8MW	ZENER DIODE	CX	IC555			BA7612F	ANALOGUE IC	
						IC600			BA3121F	ANALOGUE IC	

K: DDX7015 E: DDX7025 M: DDX7035 X: DDX7045 R: DDX7045 C: DDX7065
(K: North America E: Europe M: Other Areas X: Australia R: Latin America X: China)

△ Indicates safety critical components.

PARTS LIST

* New parts

Parts without **Parts No.** are not supplied.

Les articles non mentionnés dans le **Parts No.** ne sont pas fournis.

Teile ohne **Parts No.** werden nicht geliefert.

ELECTRIC UNIT (X34-316x-xx)

Ref. No.	A d d	N e w	Parts No.	Description	Desti- nation
IC700,701 IC702-704 IC705 IC900 Q1			BA3129F NJM4565M-TE2 HA12187FP NJM4565M-TE2 2SC4081	ANALOGUE IC ANALOGUE IC ANALOGUE IC ANALOGUE IC TRANSISTOR	EM
Q2 Q3 Q4,5 Q6 Q8			2SB1443 2SA1576A UMC2N 2SB1565 UMC2N	TRANSISTOR TRANSISTOR TRANSISTOR TRANSISTOR TRANSISTOR	
Q9 Q10 Q19 Q20,21 Q20,21			DTC114EUA 2SB1565 DTC124EUA DTC114YUA DTC114YUA	DIGITAL TRANSISTOR TRANSISTOR DIGITAL TRANSISTOR DIGITAL TRANSISTOR DIGITAL TRANSISTOR	KRM CX
Q21 Q22 Q23,24 Q23,24 Q24			DTC114YUA DTA114EUA 2SB1188(Q,R) 2SB1188(Q,R) 2SB1188(Q,R)	DIGITAL TRANSISTOR DIGITAL TRANSISTOR TRANSISTOR TRANSISTOR TRANSISTOR	E KRM CX E
Q25 Q26 Q27 Q100 Q200			2SA1576A 2SC4081 DTA123JK DTA124EUA DTC124EUA	TRANSISTOR TRANSISTOR DIGITAL TRANSISTOR DIGITAL TRANSISTOR DIGITAL TRANSISTOR	
Q201 Q300 Q300 Q301 Q460			2SB1188(Q,R) 2SD1819A 2SD1819A DTC124EUA DTA124EUA	TRANSISTOR TRANSISTOR TRANSISTOR DIGITAL TRANSISTOR DIGITAL TRANSISTOR	EKR M
Q551-554 Q600-602 Q603 Q604-606 Q607			DTC124EUA DTC143TUA 2SA1576A DTC143TUA 2SA1576A	DIGITAL TRANSISTOR DIGITAL TRANSISTOR TRANSISTOR DIGITAL TRANSISTOR TRANSISTOR	
Q608 Q609 Q610 Q700 Q702			DTC143TUA DTA124EUA DTC143TUA DTC144EUA DTA124EUA	DIGITAL TRANSISTOR DIGITAL TRANSISTOR DIGITAL TRANSISTOR DIGITAL TRANSISTOR DIGITAL TRANSISTOR	
Q703 Q704 Q705 Q706 Q707			DTC323TU UMA2N 2SC3437 DTC323TU DTA124EUA	DIGITAL TRANSISTOR TRANSISTOR TRANSISTOR DIGITAL TRANSISTOR DIGITAL TRANSISTOR	
Q712 Q713 Q904 Q905 Q906			DTC144EUA DTA124EUA 2SC4081 DTC114EUA DTA124EUA	DIGITAL TRANSISTOR DIGITAL TRANSISTOR TRANSISTOR DIGITAL TRANSISTOR DIGITAL TRANSISTOR	EM EM EM
TH250		*	PT722A70C	POSITIVE RESISTOR	
A1 A1 A1		*	W02-3463-05 W02-3463-05 W02-3464-05	FM/AM FRONT-END FM/AM FRONT-END FM/AM FRONT-END	KRC X EM

Ref. No.	A d d	N e w	Parts No.	Description	Desti- nation
VIDEO UNIT (X35-4332-70)					
D508 D666 D667-677 D680 D701			B30-1566-05 B30-1564-05 B30-1605-05 B30-1605-05 B30-1547-05	LED (1608,RED) LED (1608,BLUE) LED (2COLOR PG/RED) LED (2COLOR PG/RED) LED	
D702 D703 D704			B30-1566-05 B30-1547-05 B30-1566-05	LED (1608,RED) LED LED (1608,RED)	
C1 C3 C4 C5 C6		*	C92-1857-05 C93-1283-05 C92-1857-05 C93-1363-05 C93-1361-05	ELECTRO 33UF 10WV CHIP C 1.0UF K ELECTRO 33UF 10WV CHIP C 10PF J CHIP C 0.012UF J	
C7 C8 C9 C10 C11			CK73GB1E473K C93-1269-05 CK73GB0J225K CK73GB1H103K CK73GB0J225K	CHIP C 0.047UF K CHIP C 220PF J CHIP C 2.2UF K CHIP C 0.010UF K CHIP C 2.2UF K	
C12 C13 C14 C15 C16			CK73GB1H103K CK73GB1A474K CK73GB1H103K CK73GB1E473K CK73GB1E183K	CHIP C 0.010UF K CHIP C 0.47UF K CHIP C 0.010UF K CHIP C 0.047UF K CHIP C 0.018UF K	
C17 C18 C21 C22 C24		*	CK73GB1H103K C93-1283-05 CK73GB0J225K CK73GB1H152K CK73GB1H103K	CHIP C 0.010UF K CHIP C 1.0UF K CHIP C 2.2UF K CHIP C 1500PF K CHIP C 0.010UF K	
C26 C27 C102 C103 C105		*	CK73GB1H103K C93-1283-05 CK73DF1C106Z CK73GB1H103K CE32AU1C220M	CHIP C 0.010UF K CHIP C 1.0UF K CHIP C 10UF Z CHIP C 0.010UF K CHIP EL 22UF 16WV	
C106 C108 C109 C110 C112		*	CK73GB1H103K CE32AU1C220M CK73FB1C105K CK73GB1H103K CK73FB1E154K	CHIP C 0.010UF K CHIP EL 22UF 16WV CHIP C 1.0UF K CHIP C 0.010UF K CHIP C 0.15UF K	
C113 C114 C115 C116 C118			CK73EB1C225K CK73FB1C224K CK73GB1H104K C92-1685-05 CK73GB1H103K	CHIP C 2.2UF K CHIP C 0.22UF K CHIP C 0.10UF K ELECTRO 47UF 6.3WV CHIP C 0.010UF K	
C119 C211 C230 C231,232 C233			CC73GCH1H151J CK73EB1A475K CK73GB1H103K CK73DF1E106Z CK73GB1H103K	CHIP C 150PF J CHIP C 4.7UF K CHIP C 0.010UF K CHIP C 10UF Z CHIP C 0.010UF K	
C234 C301,302 C303 C304 C307			CC73GCH1H560J CK73DF1E106Z CK73GB1H103K CK73GB1H104K CK73EB0J106K	CHIP C 56PF J CHIP C 10UF Z CHIP C 0.010UF K CHIP C 0.10UF K CHIP C 10UF K	

PARTS LIST

* New parts

Parts without **Parts No.** are not supplied.

Les articles non mentionnés dans le **Parts No.** ne sont pas fournis.

Teile ohne **Parts No.** werden nicht geliefert.

VIDEO UNIT (X35-4332-70)

Ref. No.	A d d	N e w	Parts No.	Description	Desti- nation	Ref. No.	A d d	N e w	Parts No.	Description	Desti- nation
C308			CK73GB1H103K	CHIP C 0.010UF K		R1			RK73GB2A512J	CHIP R 5.1K J 1/10W	
C309			CC73GCH1H100D	CHIP C 10PF D		R3			RK73GB2A220J	CHIP R 22 J 1/10W	
C310			CK73GB1H561K	CHIP C 560PF K		R4			RN73GH1J153D	CHIP R 15K D 1/16W	
C311-314			CK73GB1H103K	CHIP C 0.010UF K		R5			RK73GB2A153J	CHIP R 15K J 1/10W	
C315,316			CK73GB1H104K	CHIP C 0.10UF K		R6			RN73GH1J5902D	CHIP R 59.0K D 1/16W	
C317			CK73GB1H103K	CHIP C 0.010UF K		R7			RK73GB2A220J	CHIP R 22 J 1/10W	
C318,319			CK73GB1H104K	CHIP C 0.10UF K		R8			RK73GB2A512J	CHIP R 5.1K J 1/10W	
C320			CC73GCH1H560J	CHIP C 56PF J		R9	*		RK73GH2A304D	CHIP R 300K D 1/10W	
C322			CC73GCH1E102J	CHIP C 1000PF J		R10			RK73GB2A331J	CHIP R 330 J 1/10W	
C323			CC73GCH1H101J	CHIP C 100PF J		R11			RK73GB2A220J	CHIP R 22 J 1/10W	
C324,325			CK73GB1H103K	CHIP C 0.010UF K		R12			RK73GB2A105J	CHIP R 1.0M J 1/10W	
C326			CC73GCH1H681J	CHIP C 680PF J		R13			RK73GB2A220J	CHIP R 22 J 1/10W	
C327,328			CK73GB1H104K	CHIP C 0.10UF K		R14	*		RN73GH1J4530D	CHIP R 453.0 D 1/16W	
C331,332			CC73GCH1H390J	CHIP C 39PF J		R15			RN73GH1J513D	CHIP R 51K D 1/16W	
C333			CK73GB1H104K	CHIP C 0.10UF K		R16,17			RK73GB2A220J	CHIP R 22 J 1/10W	
C334			CK73GB1H103K	CHIP C 0.010UF K		R18			RK73GB2A222J	CHIP R 2.2K J 1/10W	
C335,336			CK73GB1H104K	CHIP C 0.10UF K		R101	*		RK73GH2A104D	CHIP R 100K D 1/10W	
C339			CK73GB1H103K	CHIP C 0.010UF K		R102			RK73GH2A113D	CHIP R 11K D 1/10W	
C425			CK73FB1C105K	CHIP C 1.0UF K		R103	*		RK73GH2A184D	CHIP R 180K D 1/10W	
C426			CK73EB1E105K	CHIP C 1.0UF K		R104	*		RK73GH2A133D	CHIP R 13K D 1/10W	
C427			CK73FB1A225K	CHIP C 2.2UF K		R105			RK73GB2A473J	CHIP R 47K J 1/10W	
C428			CK73EB0J106K	CHIP C 10UF K		R106			RK73GB2A100J	CHIP R 10 J 1/10W	
C502,503			CK73GB1H103K	CHIP C 0.010UF K		R107			RK73GB2A222J	CHIP R 2.2K J 1/10W	
C504			CK73EB1A106K	CHIP C 10UF K		R218			RK73GB2A222J	CHIP R 2.2K J 1/10W	
C505			CK73GB1H271K	CHIP C 270PF K		R219			RK73GB2A513J	CHIP R 51K J 1/10W	
C506			CC73GCH1H101J	CHIP C 100PF J		R234			RN73GH1J472D	CHIP R 4.7K D 1/16W	
C507			CC73GCH1H150J	CHIP C 15PF J		R235			RN73GH1J912D	CHIP R 9.1K D 1/16W	
C601			CK73GB1H221K	CHIP C 220PF K		R236			RN73GH1J222D	CHIP R 2.2K D 1/16W	
C602			CK73GB1H103K	CHIP C 0.010UF K		R239			RK73GB2A123J	CHIP R 12K J 1/10W	
C603			CK73GB0J225K	CHIP C 2.2UF K		R240			RK73GB2A470J	CHIP R 47 J 1/10W	
C604			CC73GCH1H101J	CHIP C 100PF J		R241			RK73GB2A123J	CHIP R 12K J 1/10W	
C605			CK73EB1A106K	CHIP C 10UF K		R242			RK73GB2A470J	CHIP R 47 J 1/10W	
CN1			E40-9797-05	PIN ASSY		R307			RK73GB2A101J	CHIP R 100 J 1/10W	
CN302	*		E41-2116-05	FLAT CABLE CONNECTOR		R308			RK73GB2A621J	CHIP R 620 J 1/10W	
CN303	*		E41-2065-05	FLAT CABLE CONNECTOR		R314,315			RK73GB2A103J	CHIP R 10K J 1/10W	
CN501	*		E41-2088-05	FLAT CABLE CONNECTOR		R316			RK73GB2A102J	CHIP R 1.0K J 1/10W	
CN602	*		E41-0451-15	FLAT CABLE CONNECTOR		R318			RK73GB2A102J	CHIP R 1.0K J 1/10W	
CN604	*		E41-2208-05	FLAT CABLE CONNECTOR		R321			RK73GB2A472J	CHIP R 4.7K J 1/10W	
CN701			E41-0267-05	FLAT CABLE CONNECTOR		R324,325			RK73GB2A472J	CHIP R 4.7K J 1/10W	
P2			E23-0746-05	TERMINAL		R326			RK73GB2A473J	CHIP R 47K J 1/10W	
F1			F53-0251-05	FUSE		R327			RK73GB2A683J	CHIP R 68K J 1/10W	
F107	*		F53-0314-05	FUSE (UL,CSA)		R328			RK73GB2A153J	CHIP R 15K J 1/10W	
L1			L19-0727-05	TRANSFORMER FOR CONVERTER		R329			RK73GB2A101J	CHIP R 100 J 1/10W	
L2			L33-1933-05	CHOKE COIL		R330			RK73GB2A182J	CHIP R 1.8K J 1/10W	
L101,102			L41-3392-13	SMALL FIXED INDUCTOR		R331			RK73GB2A331J	CHIP R 330 J 1/10W	
L103			L41-4792-13	SMALL FIXED INDUCTOR		R332			RK73GB2A332J	CHIP R 3.3K J 1/10W	
L104-106			L40-1001-78	SMALL FIXED INDUCTOR (10UH)		R337,338			RK73GB2A101J	CHIP R 100 J 1/10W	
L306	*		L41-5695-33	SMALL FIXED INDUCTOR		R339			RK73GB2A102J	CHIP R 1.0K J 1/10W	
L307	*		L92-0397-05	CHIP FERRITE		R340-344			RK73GB2A101J	CHIP R 100 J 1/10W	
L501			L40-1001-78	SMALL FIXED INDUCTOR (10UH)		R345			RK73GB2A683J	CHIP R 68K J 1/10W	
L601			L40-1001-78	SMALL FIXED INDUCTOR (10UH)		R346			RK73GB2A105J	CHIP R 1.0M J 1/10W	
CP301,302			R90-0724-05	MULTI-COMP 1K X4		R347			RK73GB2A153J	CHIP R 15K J 1/10W	
CP303			R90-1014-05	MULTI-COMP 100 X4		R348			RK73GB2A362J	CHIP R 3.6K J 1/10W	
						R349			RK73GB2A153J	CHIP R 15K J 1/10W	
						R350-353			RK73GB2A101J	CHIP R 100 J 1/10W	

K: DDX7015 E: DDX7025 M: DDX7035 X: DDX7045 R: DDX7045 C: DDX7065
(K: North America E: Europe M: Other Areas X: Australia R: Latin America X: China)

△ Indicates safety critical components.

PARTS LIST

* New parts

Parts without **Parts No.** are not supplied.

Les articles non mentionnés dans le **Parts No.** ne sont pas fournis.

Teile ohne **Parts No.** werden nicht geliefert.

VIDEO UNIT (X35-4332-70)

Ref. No.	A d d	N e w	Parts No.	Description	Desti- nation
R359,360			RK73GB2A100J	CHIP R 10 J 1/10W	
R361			RK73GB2A562J	CHIP R 5.6K J 1/10W	
R370			RK73GB2A821J	CHIP R 820 J 1/10W	
R373,374			RK73GB2A561J	CHIP R 560 J 1/10W	
R380,381			RK73EB2E101J	CHIP R 100 J 1/4W	
R385,386			RK73EB2E100J	CHIP R 10 J 1/4W	
R387,388			RK73EB2E101J	CHIP R 100 J 1/4W	
R391			RK73EB2E101J	CHIP R 100 J 1/4W	
R393-397			RK73EB2E101J	CHIP R 100 J 1/4W	
R501,502			RK73GB2A333J	CHIP R 33K J 1/10W	
R503-506			RK73EB2E100J	CHIP R 10 J 1/4W	
R601			RK73GB2A101J	CHIP R 100 J 1/10W	
R602			RK73GB2A222J	CHIP R 2.2K J 1/10W	
R603			RK73GB2A332J	CHIP R 3.3K J 1/10W	
R604			RK73GB2A562J	CHIP R 5.6K J 1/10W	
R605			RK73GB2A103J	CHIP R 10K J 1/10W	
R606			RK73GB2A101J	CHIP R 100 J 1/10W	
R607			RK73GB2A222J	CHIP R 2.2K J 1/10W	
R608			RK73GB2A332J	CHIP R 3.3K J 1/10W	
R609			RK73GB2A562J	CHIP R 5.6K J 1/10W	
R610			RK73GB2A103J	CHIP R 10K J 1/10W	
R611			RK73GB2A333J	CHIP R 33K J 1/10W	
R612			RK73GB2A361J	CHIP R 360 J 1/10W	
R613			RK73GB2A101J	CHIP R 100 J 1/10W	
R614			RK73GB2A361J	CHIP R 360 J 1/10W	
R615			RK73GB2A101J	CHIP R 100 J 1/10W	
R616			RK73GB2A361J	CHIP R 360 J 1/10W	
R617			RK73GB2A101J	CHIP R 100 J 1/10W	
R618			RK73GB2A361J	CHIP R 360 J 1/10W	
R619			RK73GB2A101J	CHIP R 100 J 1/10W	
R620			RK73GB2A301J	CHIP R 300 J 1/10W	
R621			RK73GB2A102J	CHIP R 1.0K J 1/10W	
R623			RK73GB2A751J	CHIP R 750 J 1/10W	
R624			RK73GB2A104J	CHIP R 100K J 1/10W	
R625			RK73GB2A101J	CHIP R 100 J 1/10W	
R702			RK73FB2B561J	CHIP R 560 J 1/8W	
R703			RK73FB2B331J	CHIP R 330 J 1/8W	
VR203			R32-0235-05	SEMI FIXED VARIABLE RESISTOR	
VR301			R32-0235-05	SEMI FIXED VARIABLE RESISTOR	
W3			R92-1252-05	CHIP R 0 OHM J 1/16W	
W216,217			R92-2052-05	CHIP R 0 OHM J 1/10W	
W253			R92-2052-05	CHIP R 0 OHM J 1/10W	
W305			R92-1252-05	CHIP R 0 OHM J 1/16W	
W310			R92-1252-05	CHIP R 0 OHM J 1/16W	
W313			R92-1252-05	CHIP R 0 OHM J 1/16W	
W320			R92-1252-05	CHIP R 0 OHM J 1/16W	
W323			R92-1252-05	CHIP R 0 OHM J 1/16W	
W333-335			R92-1252-05	CHIP R 0 OHM J 1/16W	
W354-357			R92-1252-05	CHIP R 0 OHM J 1/16W	
W368			R92-1252-05	CHIP R 0 OHM J 1/16W	
W371			R92-1252-05	CHIP R 0 OHM J 1/16W	
W392			R92-2053-05	CHIP R 0 J 1/8W	
W398			R92-2053-05	CHIP R 0 J 1/8W	
S601			S70-0901-05	TACT SWITCH	

Ref. No.	A d d	N e w	Parts No.	Description	Desti- nation
S602,603		*	S70-0919-05	TACT SWITCH	
S604,605			S70-0901-05	TACT SWITCH	
S606-608		*	S70-0919-05	TACT SWITCH	
S609			S70-0901-05	TACT SWITCH	
S614		*	S70-0919-05	TACT SWITCH	
S615		*	S70-0910-05	TACT SWITCH	
S616		*	S70-0919-05	TACT SWITCH	
S617,618			S70-0901-05	TACT SWITCH	
D1,2			MA8047-M	ZENER DIODE	
D3			MA115	DIODE	
D4,5			DA204U	DIODE	
D6			MA784	DIODE	
D7			MA8056-M	ZENER DIODE	
D8			AVRM1608120M6A	VARIATOR	
D101		*	EP05Q04	DIODE	
D102		*	EP05Q06	DIODE	
D103,104		*	EP05Q04	DIODE	
D301			MA8051-M	ZENER DIODE	
D302,303			DA204U	DIODE	
D304			MA8051-M	ZENER DIODE	
D309			1SV231	VARIABLE CAPACITANCE DIODE	
D310			AVRM1608180M6A	VARIATOR	
D501-504			MA8068-M	ZENER DIODE	
D601-603			AVRM1608180M6A	VARIATOR	
D612			AVRM1608180M6A	VARIATOR	
D615,616			AVRM1608180M6A	VARIATOR	
D622,623			AVRM1608180M6A	VARIATOR	
D636-638			AVRM1608180M6A	VARIATOR	
D639			DA204U	DIODE	
D690			DAN202U	DIODE	
IC1			OZ960IS-C	ANALOGUE IC	
IC101			LT1947	ANALOGUE IC	
IC203			TA75W558FU	ANALOGUE IC	
IC301			TC200G02AF0104	MOS-IC	
IC302			TC7SH08FU	MOS-IC	
IC303			NJM2107F	ANALOGUE IC	
IC304			TC7WH14FU	MOS-IC	
IC601			RS-181	ANALOGUE IC	
Q1			2SC4081	TRANSISTOR	
Q2,3			SI5513DC	DUAL FET	
Q5			2SC4081	TRANSISTOR	
Q101			DTC124EUA	DIGITAL TRANSISTOR	
Q102			DTA124EUA	DIGITAL TRANSISTOR	
Q201			IMZ1A	DUAL TRANSISTOR	
Q202			2SD601A	TRANSISTOR	
Q203			2SB709A	TRANSISTOR	
Q301			2SC4097	TRANSISTOR	
Q302,303			DTA143ZUA	DIGITAL TRANSISTOR	
Q304,305			DTC143ZUA	DIGITAL TRANSISTOR	
Q306			DTC124EUA	DIGITAL TRANSISTOR	
Q601			DTC124EUA	DIGITAL TRANSISTOR	
Q602			DTA124EUA	DIGITAL TRANSISTOR	
Q604			DTC124EUA	DIGITAL TRANSISTOR	
Q605			DTA143EUA	DIGITAL TRANSISTOR	

PARTS LIST

* New parts

Parts without **Parts No.** are not supplied.

Les articles non mentionnés dans le **Parts No.** ne sont pas fournis.

Teile ohne **Parts No.** werden nicht geliefert.

VIDEO UNIT (X35-4332-70)

Ref. No.	Add	New	Parts No.	Description	Destination
Q701			DTC124EUA	DIGITAL TRANSISTOR	
DVD UNIT (X37-1020-04)					
C1			CK73FB0J106M	CHIP C 10UF M	
C2			CK73HB1A104K	CHIP C 0.10UF K	
C3,4			CK73FB0J106M	CHIP C 10UF M	
C5			CK73HB1A104K	CHIP C 0.10UF K	
C6			CC73HCH1E221J	CHIP C 220PF J	
C7			CK73HB1A104K	CHIP C 0.10UF K	
C8			CK73FB0J106M	CHIP C 10UF M	
C9,10			CK73HB1A104K	CHIP C 0.10UF K	
C11			CK73HB1H332K	CHIP C 3300PF K	
C12			CK73HB1A104K	CHIP C 0.10UF K	
C13			CK73FB0J106M	CHIP C 10UF M	
C14			C92-1792-05	ELECTRO 22UF 6.3WV	
C15			CK73HB1C103K	CHIP C 0.010UF K	
C17			CC73GCH1H471J	CHIP C 470PF J	
C18			CK73HB1A104K	CHIP C 0.10UF K	
C19			CC73GCH1H471J	CHIP C 470PF J	
C20			CK73HB1A333K	CHIP C 0.033UF K	
C21			CK73HB1A473K	CHIP C 0.047UF K	
C22-24			CK73HB1A104K	CHIP C 0.10UF K	
C25,26			C93-1215-05	CHIP C 10UF K	
C27			CK73HB1A104K	CHIP C 0.10UF K	
C31			C92-1685-05	ELECTRO 47UF 6.3WV	
C32,33			CC73GCH1E102J	CHIP C 1000PF J	
C34,35			CC73GCH1H681J	CHIP C 680PF J	
C36			CK73HB1H222K	CHIP C 2200PF K	
C37			CC73GCH1H331J	CHIP C 330PF J	
C38,39			CK73HB1C103K	CHIP C 0.010UF K	
C40,41			CK73HB1A104K	CHIP C 0.10UF K	
C42			CK73HB1C223K	CHIP C 0.022UF K	
C43			CC73HCH1H470J	CHIP C 47PF J	
C44			CC73GCH1H681J	CHIP C 680PF J	
C45			CK73HB1E682K	CHIP C 6800PF K	
C46			CK73HB1A104K	CHIP C 0.10UF K	
C47			CC73GCH1E102J	CHIP C 1000PF J	
C48-50			CK73HB1A104K	CHIP C 0.10UF K	
C51			C93-1271-05	CHIP C 0.1UF M	
C52-55			CK73HB1A104K	CHIP C 0.10UF K	
C56,57			C93-1271-05	CHIP C 0.1UF M	
C58-60			CK73HB1A104K	CHIP C 0.10UF K	
C62			CK73HB1A104K	CHIP C 0.10UF K	
C63			C93-1271-05	CHIP C 0.1UF M	
C64,65			CK73HB1C103K	CHIP C 0.010UF K	
C67			CC73HCH1H220J	CHIP C 22PF J	
C68			CC73HCH1H150J	CHIP C 15PF J	
C69-73			CK73HB1A104K	CHIP C 0.10UF K	
C74			CK73EB1A106K	CHIP C 10UF K	
C75,76			CK73HB1C103K	CHIP C 0.010UF K	
C77			CK73HB1A104K	CHIP C 0.10UF K	
C78			CC73GCH1H331J	CHIP C 330PF J	
C79-81			CK73HB1C103K	CHIP C 0.010UF K	
C82			CK73HB1A104K	CHIP C 0.10UF K	
C83			CC73HCH1E221J	CHIP C 220PF J	

Ref. No.	Add	New	Parts No.	Description	Destination
C84			CC73HCH1H101J	CHIP C 100PF J	
C85			C92-1684-05	ELECTRO 82UF 10WV	
C87,88			CK73HB1C103K	CHIP C 0.010UF K	
C89			CK73FB0J106M	CHIP C 10UF M	
C90-95			CK73HB1A104K	CHIP C 0.10UF K	
C96			CK73GB1A224K	CHIP C 0.22UF K	
C97,98			CK73HB1A104K	CHIP C 0.10UF K	
C99			C92-1685-05	ELECTRO 47UF 6.3WV	
C100			CK73GB0J105K	CHIP C 1.0UF K	
C101			CK73HB1C103K	CHIP C 0.010UF K	
C102			CK73FB0J106M	CHIP C 10UF M	
C103			CK73FB1A225K	CHIP C 2.2UF K	
C104			CK73HB1A104K	CHIP C 0.10UF K	
C106			CK73HB1A104K	CHIP C 0.10UF K	
C107			CK73GB0J105K	CHIP C 1.0UF K	
C108			C93-1228-05	CHIP C 1UF M	
C110,113			CC73HCH1H470J	CHIP C 47PF J	
C114,115			CK73FB1A225K	CHIP C 2.2UF K	
C116			CK73GB1A224K	CHIP C 0.22UF K	
C117			CK73HB1C223K	CHIP C 0.022UF K	
C119			CK73EB0J226K	CHIP C 22UF K	
C123			CC73HCH1H470J	CHIP C 47PF J	
C125-134			CK73HB1C103K	CHIP C 0.010UF K	
C135,136			CC73HCH1H050C	CHIP C 5.0PF C	
C137			CK73HB1H102K	CHIP C 1000PF K	
C138			CK73EB1A106K	CHIP C 10UF K	
CN1			E41-0273-05	FLAT CABLE CONNECTOR	
CN2			E41-0271-05	FLAT CABLE CONNECTOR	
CN3			E41-0272-05	FLAT CABLE CONNECTOR	
CN4			E41-0312-05	FLAT CABLE CONNECTOR	
CN5			E41-0335-05	FLAT CABLE CONNECTOR	
L1			L92-0365-05	CHIP FERRITE	
L2			L92-0329-05	CHIP FERRITE	
L3-8			L92-0365-05	CHIP FERRITE	
L10-13			L92-0365-05	CHIP FERRITE	
L16-18			L92-0365-05	CHIP FERRITE	
L21-27			L92-0365-05	CHIP FERRITE	
L28			L92-0375-05	CHIP FERRITE	
X1			L77-2808-05	CRYSTAL RESONATOR (16.897849MHZ)	
CP1			RK74HB1J102J	CHIP-COM 1.0K J 1/16W	
CP3			RK74HB1J472J	CHIP-COM 4.7K J 1/16W	
CP4-8			RK74HB1J220J	CHIP-COM 22 J 1/16W	
CP9			RK74HB1J820J	CHIP-COM 82 J 1/16W	
CP11			R90-0726-05	MULTI-COMP 10K X2	
CP12			RK74HB1J472J	CHIP-COM 4.7K J 1/16W	
CP13-16			RK74HB1J103J	CHIP-COM 10K J 1/16W	
R3,4			RK73GH1J103D	CHIP R 10K D 1/16W	
R5			RK73GB2A4R7J	CHIP R 4.7 J 1/10W	
R6			RK73GB2A100J	CHIP R 10 J 1/10W	
R7,8			RK73HB1J273J	CHIP R 27K J 1/16W	
R9			RK73GH1J223D	CHIP R 22K D 1/16W	
R10			RK73GH1J392D	CHIP R 3.9K D 1/16W	
R11			RK73GH1J183D	CHIP R 18K D 1/16W	
R12			RK73GB2A4R7J	CHIP R 4.7 J 1/10W	

K : DDX7015 E : DDX7025 M : DDX7035 X : DDX7045 R : DDX7045 C : DDX7065
(K : North America E : Europe M : Other Areas X : Australia R : Latin America X : China)

△ Indicates safety critical components.

PARTS LIST

* New parts

Parts without **Parts No.** are not supplied.

Les articles non mentionnés dans le **Parts No.** ne sont pas fournis.

Teile ohne **Parts No.** werden nicht geliefert.

DVD UNIT (X37-1020-04)

Ref. No.	A d d	N e w	Parts No.	Description	Desti- nation
R13,14			RK73HB1J125J	CHIP R 1.2M J 1/16W	
R15			RK73GB2A200J	CHIP R 20 J 1/10W	
R16			R92-3409-05	CHIP R 6.8 F 1/4W	
R17			R92-3350-05	CHIP R 2.2 F 1/10W	
R18			RK73GH1J221D	CHIP R 220 D 1/16W	
R19			RK73HB1J100J	CHIP R 10 J 1/16W	
R27,28			RK73HB1J472J	CHIP R 4.7K J 1/16W	
R29			RK73HB1J103J	CHIP R 10K J 1/16W	
R30			RK73HB1J473J	CHIP R 47K J 1/16W	
R31			RK73HB1J102J	CHIP R 1.0K J 1/16W	
R32			RK73GH1J153D	CHIP R 15K D 1/16W	
R33			RK73HB1J105J	CHIP R 1.0M J 1/16W	
R36			RK73HB1J103J	CHIP R 10K J 1/16W	
R37			RK73HB1J273J	CHIP R 27K J 1/16W	
R38			RK73HB1J472J	CHIP R 4.7K J 1/16W	
R39			RK73HB1J273J	CHIP R 27K J 1/16W	
R40			RK73HB1J472J	CHIP R 4.7K J 1/16W	
R41			RK73HB1J103J	CHIP R 10K J 1/16W	
R42			RK73HB1J105J	CHIP R 1.0M J 1/16W	
R43			RK73HB1J152J	CHIP R 1.5K J 1/16W	
R44			RK73HB1J202J	CHIP R 2.0K J 1/16W	
R45			RK73GH1J183D	CHIP R 18K D 1/16W	
R46			RK73GB2A752J	CHIP R 7.5K J 1/10W	
R47			RK73GH1J103D	CHIP R 10K D 1/16W	
R48			R92-3353-05	CHIP R 1.0 F 1/8W	
R53			R92-3353-05	CHIP R 1.0 F 1/8W	
R54			R92-3348-05	CHIP R 0.47 F 1/2W	
R55,56			RK73GB2A820J	CHIP R 82 J 1/10W	
R57			RK73GB2A391J	CHIP R 390 J 1/10W	
R58,59			RK73GB2A103J	CHIP R 10K J 1/10W	
R60			RK73GB2A472J	CHIP R 4.7K J 1/10W	
R61			RK73GB2A153J	CHIP R 15K J 1/10W	
R62,63			RK73GH1J153D	CHIP R 15K D 1/16W	
R64			RK73GH1J303D	CHIP R 30K D 1/16W	
R65			RK73GH1J183D	CHIP R 18K D 1/16W	
R66,67			RK73GH1J153D	CHIP R 15K D 1/16W	
R68			RK73GH1J513D	CHIP R 51K D 1/16W	
R71			RK73GH1J202D	CHIP R 2.0K D 1/16W	
R72			RK73GH1J123D	CHIP R 12K D 1/16W	
R73			RK73HB1J103J	CHIP R 10K J 1/16W	
R74			RK73HB1J472J	CHIP R 4.7K J 1/16W	
R75-79			RK73HB1J132J	CHIP R 1.3K J 1/16W	
R80-83			RK73HB1J103J	CHIP R 10K J 1/16W	
R88			RK73HB1J103J	CHIP R 10K J 1/16W	
R89			RK73HB1J820J	CHIP R 82 J 1/16W	
R90			RK73HB1J103J	CHIP R 10K J 1/16W	
R91			RK73HB1J220J	CHIP R 22 J 1/16W	
R92			RK73HB1J820J	CHIP R 82 J 1/16W	
R93			RK73HB1J103J	CHIP R 10K J 1/16W	
R94,95			RK73HB1J820J	CHIP R 82 J 1/16W	
R101			RK73HB1J103J	CHIP R 10K J 1/16W	
R103-106			RK73HB1J220J	CHIP R 22 J 1/16W	
R107,108			RK73HB1J103J	CHIP R 10K J 1/16W	
R109			RK73HB1J332J	CHIP R 3.3K J 1/16W	
R110			RK73HB1J473J	CHIP R 47K J 1/16W	

Ref. No.	A d d	N e w	Parts No.	Description	Desti- nation
R111			RK73GB2A150J	CHIP R 15 J 1/10W	
R112,113			RK73HB1J221J	CHIP R 220 J 1/16W	
R114			RK73HB1J220J	CHIP R 22 J 1/16W	
R117			RK73GB2A752J	CHIP R 7.5K J 1/10W	
R119,120			RK73HB1J510J	CHIP R 51 J 1/16W	
R121,122			RK73HB1J103J	CHIP R 10K J 1/16W	
R123			R92-3385-05	CHIP R 8.2 F 1/10W	
R124			RK73HB1J103J	CHIP R 10K J 1/16W	
R126,127			RK73HB1J104J	CHIP R 100K J 1/16W	
R128,129			RK73HB1J472J	CHIP R 4.7K J 1/16W	
R130			RK73HB1J751J	CHIP R 750 J 1/16W	
R131-143			RK73HB1J103J	CHIP R 10K J 1/16W	
W1-3			R92-1252-05	CHIP R 0 OHM J 1/16W	
S4			S68-0874-05	PUSH SWITCH	
S5		*	S68-0866-15	PUSH SWITCH	
D1,2			MAZS0510M	ZENER DIODE	
D3-5			MA2J729	DIODE	
D6			MAZS0560M	ZENER DIODE	
D7			MA4ZD03	DIODE	
D8			MA142WA	DIODE	
IC1			AN8703FH	ANALOGUE IC	
IC2			NJU7042	ANALOGUE IC	
IC4			MN103S26E	MOS-IC	
IC4			MN103S26E2	MOS-IC	
IC5			S-80829CLBB	ANALOGUE IC	
IC6			LA6505	ANALOGUE IC	
IC7			DF2328VTE250S0	MICROCONTROLLER IC	
IC8			S-80815CLBB	ANALOGUE IC	
IC9			UPC2918T	ANALOGUE IC	
IC10			NJM2880U33	ANALOGUE IC	
IC11			S-24C04BMFN	MEMORY IC	
IC12			HD74LV2G66A	MOS-IC	
Q1			2SB0970	TRANSISTOR	
Q2			MCH6101-E	TRANSISTOR	
Q3			2SJ0536	FET	
Q4			UN5114	DIGITAL TRANSISTOR	
Q5			UN5214	DIGITAL TRANSISTOR	
Q6			2SD1819A	TRANSISTOR	
Q9			UN5114	DIGITAL TRANSISTOR	
Q10			UN5214	DIGITAL TRANSISTOR	
Q13			UN5114	DIGITAL TRANSISTOR	
Q15			UN5114	DIGITAL TRANSISTOR	
TH1			TH11-3H103FT	THERMISTOR	
DVD MECHANISM ASSY (X92-5020-00)					
1		2B	A10-4909-21	CHASSIS	
2		1A	A10-4910-11	CHASSIS	
3		1A	A10-4911-02	CHASSIS	
4		1B	* A10-4913-11	CHASSIS	
5		3A	* A10-4952-71	CHASSIS ASSY	
7		1B	A10-4990-33	CHASSIS ASSY	
15		3B	D10-4650-03	SLIDER	
16		3B	D10-4651-02	SLIDER	
17		3B	D10-4652-02	SLIDER	

PARTS LIST

* New parts

Parts without **Parts No.** are not supplied.

Les articles non mentionnés dans le **Parts No.** ne sont pas fournis.

Teile ohne **Parts No.** werden nicht geliefert.

DVD MECHANISM ASSY (X92-5020-00)

Ref. No.	A d d	N e w	Parts No.	Description	Desti- nation
18	2A		D10-4653-02	SLIDER	
19	3B		D10-4654-04	ARM ASSY	
20	3A	*	D10-4658-33	ARM ASSY	
21	1B	*	D10-4659-43	LEVER ASSY	
22	1A		D10-4660-04	ARM ASSY	
23	3B		D10-4686-03	SLIDER	
24	3B		D10-4687-03	ARM	
25	3B		D10-4689-03	ARM	
26	3B		D10-4690-03	ARM	
29	1A		D12-0635-03	CAM	
30	2B		D12-0636-13	CAM	
32	3B		D13-2221-04	GEAR	
33	3B		D13-2222-04	GEAR	
34	3B		D13-2223-04	GEAR	
35	3B		D13-2224-04	GEAR	
36	2B		D13-2225-04	GEAR	
37	2B		D13-2226-04	GEAR	
38	3B		D13-2227-04	GEAR	
43	2A		D14-0785-04	ROLLER	
44	1A		D21-2395-13	SHAFT	
46	2B		D21-2414-04	SHAFT	
48	1B		D32-0648-04	STOPPER	
49	2B		D32-0654-04	STOPPER	
50	2A		D39-0254-05	DAMPER	
VFC1	2A		E39-0464-05	FLAT CABLE	
54	2B		F09-1748-04	SHEET	
56	1A		G01-3112-04	COMPRESSION SPRING	
58	3B		G01-3114-14	EXTENSION SPRING	
59	3A		G01-3116-14	EXTENSION SPRING	
60	2B		G01-3117-04	EXTENSION SPRING	
61	1B		G01-3118-04	EXTENSION SPRING	
62	2A		G01-3119-04	EXTENSION SPRING	
63	3A		G01-3121-14	TORSION COIL SPRING	
64	3B		G01-3140-04	EXTENSION SPRING	
65	3B		G01-3142-04	TORSION COIL SPRING	
69	2A		G02-1421-03	FLAT SPRING	
78	3B		J21-9792-03	MOUNTING HARDWARE	
79	1A		J21-9793-12	MOUNTING HARDWARE	
82	2A		J90-1031-21	GUIDE	
A	1A		N09-4495-05	ADJUSTABLE SCREW (ADJUSTMENT)	
B	1A		N09-4496-05	TAPTITE SCREW (02 2X5P-TITE)	
C	1B		N09-6060-05	MACHINE SCREW (02M1.7X1.8 CR)	
D	2B		N09-6061-05	MACHINE SCREW (02M1.7X3.5 CUP)	
E	1A		N09-6103-05	MACHINE SCREW (M1.7X3.5(NK G)	
F	1A		N09-6104-05	MACHINE SCREW (2X10 S-TITE)	
G	1B		N09-6106-05	MACHINE SCREW (M1.7X2.5)	
J	2A		N19-2022-04	FLAT WASHER	
K	3A		N19-2171-04	FLAT WASHER	
VM1	2B	*	T42-1058-25	MOTOR ASSY	
VM2	3A		T49-0101-15	MOTOR ASSY	
VM3	3B	*	T42-1061-14	MOTOR ASSY	
VPU1	1A		T25-0222-05	OPTICAL PICKUP HEAD	

Ref. No.	A d d	N e w	Parts No.	Description	Desti- nation
83	2A		W02-3408-15	ELECTRIC CIRCUIT MODULE	
PANEL MECHANISM ASSY (D40-1191-05)					
601	2H	*	A10-5174-08	CHASSIS CALKING ASSY	
602	3G	*	D10-4841-08	SLIDER ASSY	
603	2G	*	D13-2324-08	GEAR	
604	2G	*	D13-2325-08	GEAR	
605	2G	*	D13-2326-08	GEAR	
606	1H	*	D13-2328-08	GEAR	
607	2G	*	D14-0789-08	ROLLER	
608	1G	*	D19-0645-08	CLUTCH ASSY	
609	1H	*	E39-0671-08	WIRING HARNESS	
610	3G	*	G02-1480-08	FLAT SPRING	
611	3H	*	J22-0118-08	SLIDE RAIL	
612	3G	*	J22-0119-08	SLIDE RAIL	
613	2G	*	J22-0120-08	SLIDE RAIL	
614	2G	*	J90-1083-08	GUIDE	
615	2H	*	J22-0213-08	MOUNTING HARDWARE (MOTOR)	
A	1H	*	N09-6147-08	SCREW (M1.7X4)	
B	1H	*	N09-6148-08	SCREW (S2X2.3)	
D	3G	*	N09-6150-08	SCREW	
E	3G	*	N09-6151-08	SCREW	
F	1G		N19-2105-14	CUT WASHER (1.6X3.5Xt0.35)	
PM1	1H	*	T42-1100-08	MOTOR ASSY	
VR1	1H	*	T99-0448-05	SPEED DETECTOR	

K : DDX7015 E : DDX7025 M : DDX7035 X : DDX7045 R : DDX7045 C : DDX7065
(K : North America E : Europe M : Other Areas X : Australia R : Latin America X : China)

△ Indicates safety critical components.