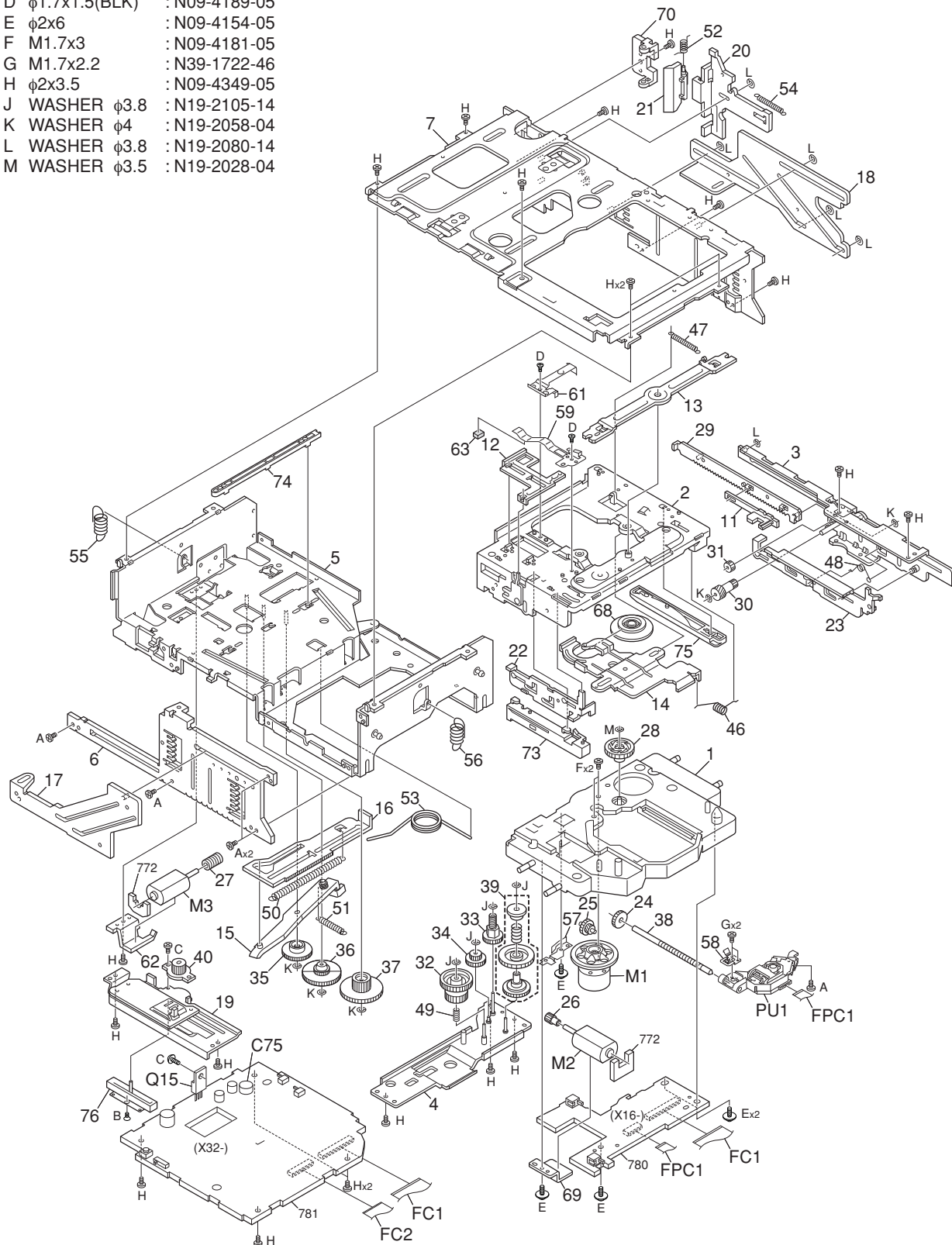


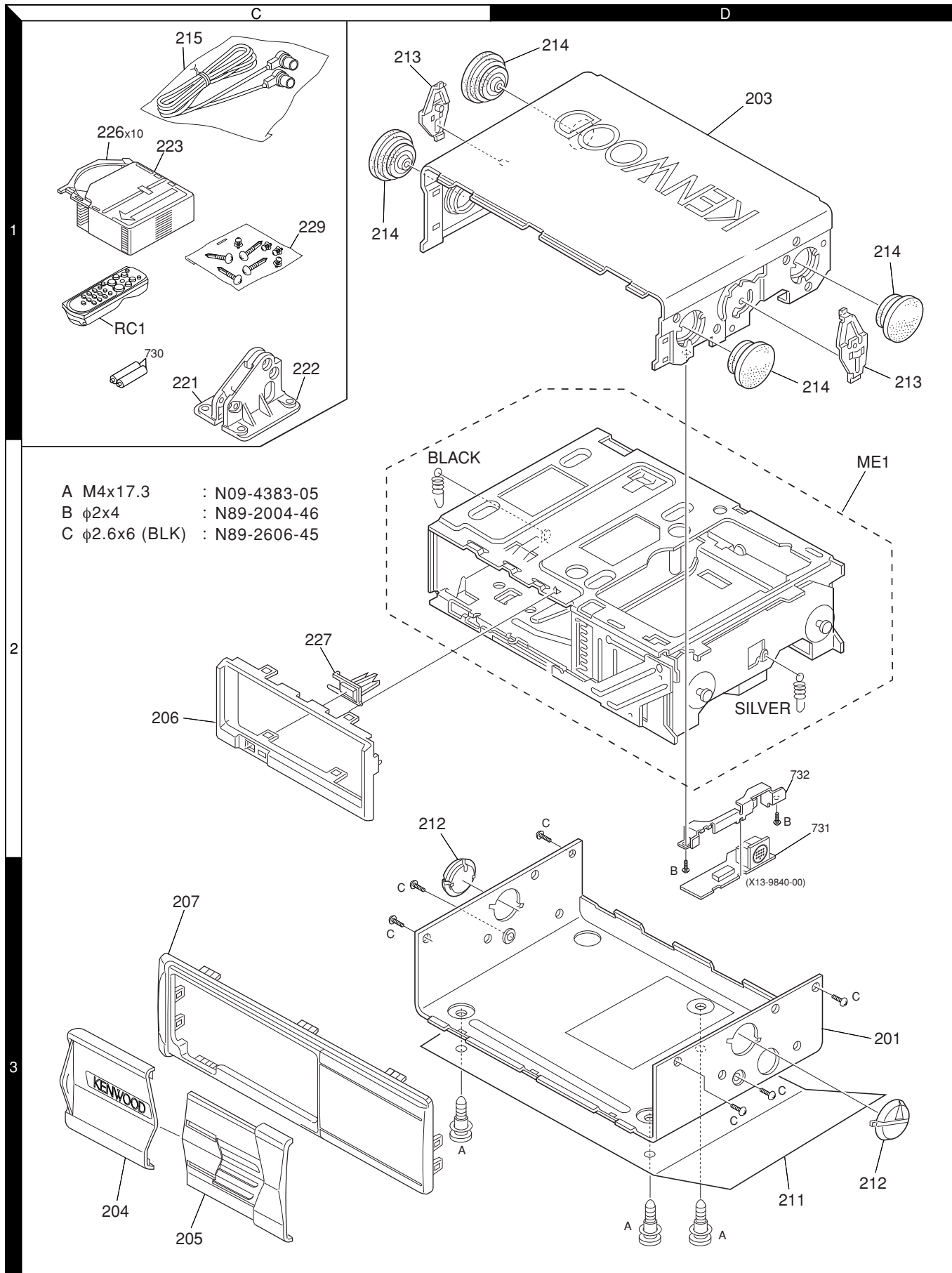
EXPLODED VIEW (MECHANISM)

- | | | |
|---|---------------|---------------|
| A | φ2x3.5 | : N09-4126-05 |
| B | φ2x2.5(BLK) | : N09-4288-05 |
| C | φ2x5 | : N86-2005-46 |
| D | φ1.7x1.5(BLK) | : N09-4189-05 |
| E | φ2x6 | : N09-4154-05 |
| F | M1.7x3 | : N09-4181-05 |
| G | M1.7x2.2 | : N39-1722-46 |
| H | φ2x3.5 | : N09-4349-05 |
| J | WASHER φ3.8 | : N19-2105-14 |
| K | WASHER φ4 | : N19-2058-04 |
| L | WASHER φ3.8 | : N19-2080-14 |
| M | WASHER φ3.5 | : N19-2028-04 |

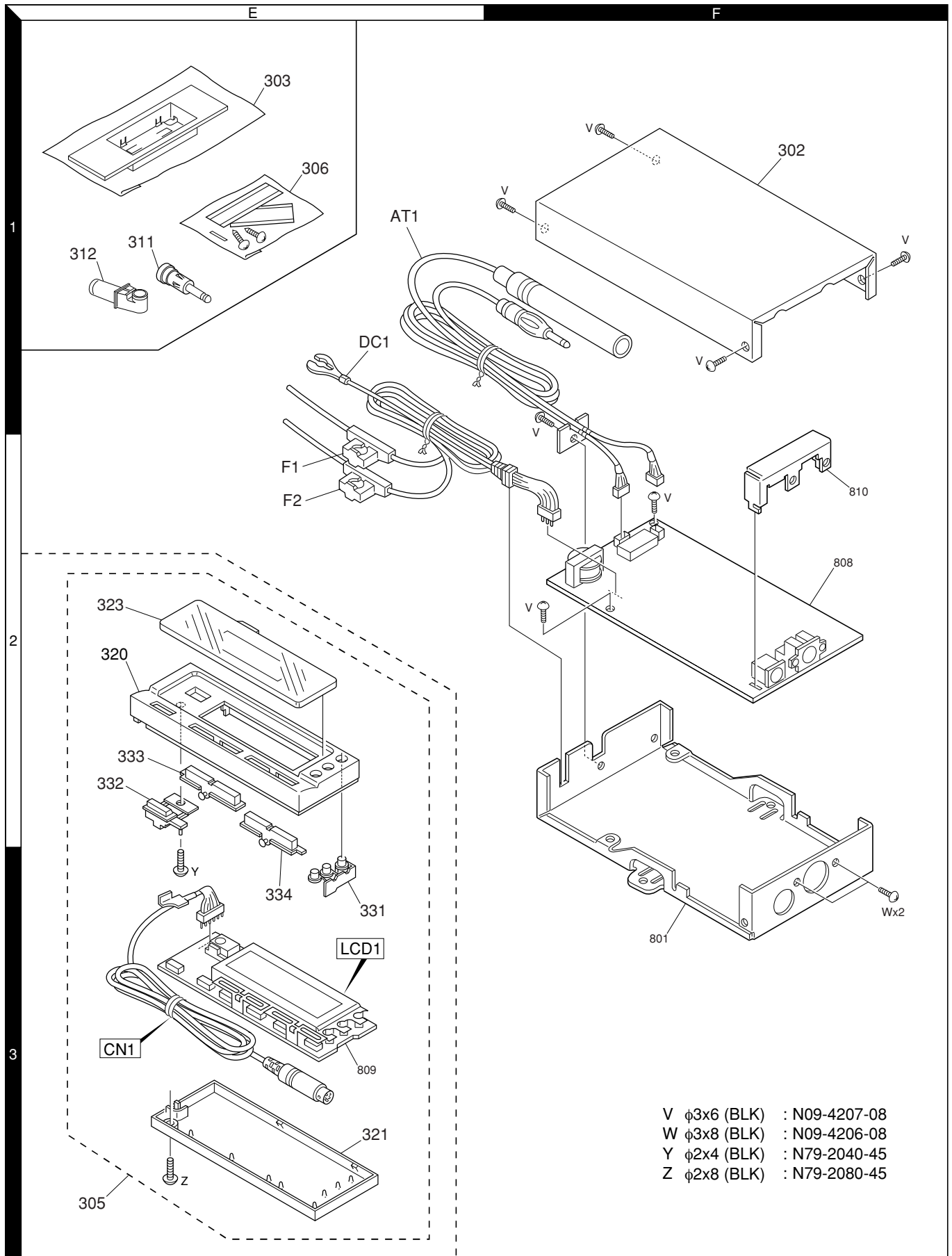


Parts with the exploded numbers larger than 700 are not supplied.

EXPLODED VIEW (UNIT)



EXPLODED VIEW (RF MODULATOR / DISPLAY UNIT)



- V ϕ 3x6 (BLK) : N09-4207-08
- W ϕ 3x8 (BLK) : N09-4206-08
- Y ϕ 2x4 (BLK) : N79-2040-45
- Z ϕ 2x8 (BLK) : N79-2080-45

Parts with the exploded numbers larger than 700 are not supplied.

PARTS LIST

* New parts

Parts without **Parts No.** are not supplied.

Les articles non mentionnés dans le **Parts No.** ne sont pas fournis.

Teile ohne **Parts No.** werden nicht geliefert.

Ref. No.	Ad	New	Parts No.	Description	Destination
KDC-C469/Y/FM/FMA, C669/Y					
201	3D		A10-4736-01	CHASSIS	E3E4E5
201	3D		A10-4736-01	CHASSIS	E6
201	3D		A10-4736-01	CHASSIS	M1E1E2
201	3D		A10-4837-01	CHASSIS	KK1K2
201	3D	*	A10-4876-01	CHASSIS	KK1K2
203	1D		A01-2727-11	METALLIC CABINET	E3E4E5
203	1D		A01-2727-11	METALLIC CABINET	E6
203	1D		A01-2727-11	METALLIC CABINET	M1E1E2
203	1D		A01-2744-11	METALLIC CABINET	KK1K2
203	1D	*	A01-2768-01	METALLIC CABINET	KK1K2
204	3C		A21-3530-12	DRESSING PANEL	E3E4E5
204	3C		A21-3530-12	DRESSING PANEL	M1E1E2
204	3C		A21-4080-02	DRESSING PANEL	KK1K2
205	3C		A21-3532-12	DRESSING PANEL	E3E4E5
205	3C		A21-3532-12	DRESSING PANEL	M1E1E2
205	3C		A21-4081-02	DRESSING PANEL	KK1K2
206	2C	*	A22-2845-02	SUB PANEL	
207	3C	*	A64-2904-01	PANEL	M1E1E3
207	3C	*	A64-2905-01	PANEL	E2E4
207	3C	*	A64-2906-01	PANEL	E5E6
207	3C	*	A64-2957-01	PANEL	K
207	3C	*	A64-2958-01	PANEL	K1
207	3C	*	A64-3111-01	PANEL	K2
RC1	1C		A70-2032-05	REMOTE CONTROLLER (RC-504FM)	E5E6
-			B46-0100-50	WARRANTY CARD	
-			B46-0182-14	ID CARD	E1E2E3
-			B46-0182-14	ID CARD	E4E5E6
-			B58-1236-04	CAUTION CARD (CORD)	
-			B58-1275-04	CAUTION CARD	
-			B58-1285-04	CAUTION CARD (O-N FORMAT SW)	E4E5E6
-			B58-1285-04	CAUTION CARD (O-N FORMAT SW)	KK1K2
-			B58-1285-04	CAUTION CARD (O-N FORMAT SW)	M1E2E3
-			B58-1289-04	CAUTION CARD (O-N FORMAT SW)	E1E2
-		*	B64-2346-00	INST.MANUAL(ENG,FRE,SPA,POR)	E4
-		*	B64-2346-00	INST.MANUAL (ENG,FRE,SPA,POR)	KK1K2E3
-		*	B64-2347-00	INST.MANUAL (ENG,FRE,SPA,POR)	K2E5E6
-		*	B64-2350-00	INST.MANUAL (ENG,T-CHI)	M1
-		*	B64-2351-00	INST.MANUAL (ARA)	M1
-		*	B64-2355-00	INST.MANUAL (ENG,RUS,POL)	E1E2
-		*	B64-2356-00	INST.MANUAL (CZE,HUN,CRO)	E1E2
-		*	B64-2365-00	INST.MANUAL (GER,DUT,ITA)	E3E4
-		*	B64-2369-00	INST.MANUAL (GER,DUT,ITA)	E5E6
211			B38-1275-04	CAUTION CARD (TRANSPORT)	
212	3D		D10-4515-03	ARM	
213	1C		D10-4516-04	LEVER	
214	1C		D39-0242-05	DAMPER	
215	1C		E30-4291-05	CORD WITH PLUG	E1E2E3
215	1C		E30-4291-05	CORD WITH PLUG	E4E5E6
215	1C		E30-4291-05	CORD WITH PLUG	K1K2K3
215	1C		E30-4291-05	CORD WITH PLUG	M1
215	1C	*	E30-4954-15	CORD WITH PLUG	E1E2E3
215	1C	*	E30-4954-15	CORD WITH PLUG	E4E5E6

Ref. No.	Ad	New	Parts No.	Description	Destination
215	1C	*	E30-4954-15	CORD WITH PLUG	K1K2K3
215	1C	*	E30-4954-15	CORD WITH PLUG	M1
-			H02-0828-03	INNER CARTON CASE	
-			H10-4730-02	POLYSTYRENE FOAMED FIXTURE	
-			H25-0337-04	PROTECTION BAG (180X300X0.03)	
-			H25-1111-04	PROTECTION BAG (280X450X0.03)	E2E3E4
-			H25-1111-04	PROTECTION BAG (280X450X0.03)	E5E6
-			H25-1111-04	PROTECTION BAG (280X450X0.03)	K2M1E1
-			H25-1115-04	PROTECTION BAG	KK1
-		*	H54-2599-04	ITEM CARTON CASE	KE3
-		*	H54-2600-04	ITEM CARTON CASE	K1E4
-		*	H54-2601-04	ITEM CARTON CASE	K2E5E6
-		*	H54-2602-04	ITEM CARTON CASE	M1
-		*	H54-2603-04	ITEM CARTON CASE	E1
-		*	H54-2604-04	ITEM CARTON CASE	E2
221	1C		J19-5020-03	BRACKET (L)	
222	1C		J19-5021-03	BRACKET (R)	
223	1C		J19-5149-02	HOLDER ASS'Y	
226	1C	*	J99-0614-01	TRAY	
227	2C		K24-3629-04	KNOB	
228	1C		N99-1645-15	SCREW SET	
A	3D		N09-4383-05	STEPPED SCREW	
B	2D		N89-2004-46	BINDING HEAD TAPTITE SCREW	
C	3D		N89-2606-45	BINDING HEAD TAPTITE SCREW	
ME1	2D	*	X92-4770-00	MECHANISM ASS'Y (CHM-2080W)	E3
ME1	2D	*	X92-4770-00	MECHANISM ASS'Y (CHM-2080W)	KM1E1
ME1	2D	*	X92-4770-01	MECHANISM ASS'Y (CHM-2081W)	K2E5E6
ME1	2D	*	X92-4770-02	MECHANISM ASS'Y (CHM-2082W)	K1E2E4
SUB-CIRCUIT UNIT (X13-9840-00)					
CN1			E40-9555-05	FLAT CABLE CONNECTOR (16PIN)	
J1			E56-0825-05	FLAT CABLE CONNECTOR	
SUB-CIRCUIT UNIT (X16-1010-00)					
CN1			E40-9487-05	FLAT CABLE CONNECTOR (23PIN)	
CN2			E40-9536-05	FLAT CABLE CONNECTOR (16PIN)	
W1,2			R92-2053-05	CHIP R 0 J 1/8W	
S1,2			S74-0811-05	MICRO SWITCH	
CD PLAYER UNIT (X32-5470-0x)					
C2			C92-0628-05	CHIP-TAN 10UF 10WV	
C3			CK73GB1H682K	CHIP C 6800PF K	
C4			CK73GB1H152K	CHIP C 1500PF K	
C5			CC73GCH1H470J	CHIP C 47PF J	
C6			CC73GCH1H680J	CHIP C 68PF J	
C7			CC73GCH1H040C	CHIP C 4.0PF C	
C8			CC73GCH1H180J	CHIP C 18PF J	
C9			CK73GB1A224K	CHIP C 0.22UF K	
C10			CK73GB1H222K	CHIP C 2200PF K	
C11			CK73GB1H682K	CHIP C 6800PF K	
C12,13			CK73GB1H103K	CHIP C 0.010UF K	
C14-16			CK73GB1C104K	CHIP C 0.10UF K	
C17			CK73FB1A225K	CHIP C 2.2UF K	
C19			CK73FB1A225K	CHIP C 2.2UF K	

K : KDC-C669 **E1** : KDC-C669Y **E5** : KDC-C469FM
K1 : KDC-C469 **E2** : KDC-C469Y **E6** : KDC-C469FMA
K2 : KDC-C469FM **E3** : KDC-C669
M1 : KDC-C669 **E4** : KDC-C469

△ Indicates safety critical components.

PARTS LIST

* New parts

Parts without **Parts No.** are not supplied.

Les articles non mentionnés dans le **Parts No.** ne sont pas fournis.

Teile ohne **Parts No.** werden nicht geliefert.

CD PLAYER UNIT (X32-5470-0x)

Ref. No.	Add	New	Parts No.	Description	Destination	Ref. No.	Add	New	Parts No.	Description	Destination
C21			CK73GB1H681K	CHIP C 680PF K		R21			RK73GB2A123J	CHIP R 12K J 1/10W	
C23			CK73EB1A475K	CHIP C 4.7UF K		R22			RK73GB2A183J	CHIP R 18K J 1/10W	
C24			CK73GB1H102K	CHIP C 1000PF K		R25			RK73GB2A113J	CHIP R 11K J 1/10W	
C34			C92-0628-05	CHIP-TAN 10UF 10WV		R26			RK73EB2E123J	CHIP R 12K J 1/4W	
C46,47			C92-1393-05	ELECTRO 10UF 16WV		R53,54			RK73GB2A681J	CHIP R 680 J 1/10W	
C48,49			CK73GB1H681K	CHIP C 680PF K		R57,58			RK73GB2A223J	CHIP R 22K J 1/10W	
C52			CK73EB1A475K	CHIP C 4.7UF K		R59			RK73GB2A914J	CHIP R 910K J 1/10W	
C55			C92-0628-05	CHIP-TAN 10UF 10WV		R60,61			RK73EB2E101J	CHIP R 100 J 1/4W	
C56			CK73EB1A475K	CHIP C 4.7UF K		R67			RK73GB2A124J	CHIP R 120K J 1/10W	
C59			C92-1390-05	ELECTRO 100UF 6.3WV		R68			RK73EB2E124J	CHIP R 120K J 1/4W	
C60			CK73EB1A475K	CHIP C 4.7UF K		R69,70			RK73GB2A303J	CHIP R 30K J 1/10W	
C61			CK73GB1C104K	CHIP C 0.10UF K		R71			RK73GB2A912J	CHIP R 9.1K J 1/10W	
C62			C92-1392-05	ELECTRO 100UF 10WV		R72,73			RK73GB2A101J	CHIP R 100 J 1/10W	
C63			CK73EB1A475K	CHIP C 4.7UF K		R74,75			RK73GB2A223J	CHIP R 22K J 1/10W	
C64			C92-1388-05	ELECTRO 470UF 16WV		R76			RK73GB2A104J	CHIP R 100K J 1/10W	
C67-69			CK73GB1C104K	CHIP C 0.10UF K		R77			RK73GB2A183J	CHIP R 18K J 1/10W	
C70			CC73GCH1H101J	CHIP C 100PF J		R78			RK73GB2A104J	CHIP R 100K J 1/10W	
C71,72			CK73FB1A225K	CHIP C 2.2UF K		R79			RK73GB2A332J	CHIP R 3.3K J 1/10W	
C73			CK73GB1C104K	CHIP C 0.10UF K	E3E1	R80			RK73GB2A102J	CHIP R 1.0K J 1/10W	
C73			CK73GB1C104K	CHIP C 0.10UF K	KM1	R81			RK73GB2A103J	CHIP R 10K J 1/10W	
C85			CK73FB1A225K	CHIP C 2.2UF K		R82-84			RK73GB2A102J	CHIP R 1.0K J 1/10W	
C192			CK73GB1H681K	CHIP C 680PF K		R85-87			RK73GB2A104J	CHIP R 100K J 1/10W	
C200-206			CK73GB1C104K	CHIP C 0.10UF K		R93			RK73GB2A224J	CHIP R 220K J 1/10W	
C300			C92-0712-05	CHIP-TAN 22UF 6.3WV		R95,96			RK73GB2A104J	CHIP R 100K J 1/10W	
C301			CK73GB1C104K	CHIP C 0.10UF K		R97,98			RK73GB2A103J	CHIP R 10K J 1/10W	
CN1			E40-9338-05	FLAT CABLE CONNECTOR		R99			RK73GB2A104J	CHIP R 100K J 1/10W	
CN2			E40-9404-05	FLAT CABLE CONNECTOR		R100,101			RK73GB2A102J	CHIP R 1.0K J 1/10W	
L2			L92-0322-05	CHIP FERRITE		R102			RK73GB2A104J	CHIP R 100K J 1/10W	
X1			L78-0596-05	RESONATOR (16.93MHz)		R105,106			RK73GB2A102J	CHIP R 1.0K J 1/10W	
X2			L78-0568-05	RESONATOR (12.5MHz)		R107			RK73GB2A101J	CHIP R 100 J 1/10W	
CP1			R90-0720-05	MULTI-COMP 100K X4		R108			RK73GB2A104J	CHIP R 100K J 1/10W	
CP3			R90-0720-05	MULTI-COMP 100K X4		R110,111			RK73GB2A104J	CHIP R 100K J 1/10W	
CP5,6			R90-1014-05	MULTI-COMP 100 X4		R114			RK73GB2A103J	CHIP R 10K J 1/10W	
CP7,8			R90-0720-05	MULTI-COMP 100K X4		R120			RK73GB2A393J	CHIP R 39K J 1/10W	
CP9			R90-0725-05	MULTI-COMP 1K X2		R121			RK73GB2A103J	CHIP R 10K J 1/10W	
CP10,11			R90-1014-05	MULTI-COMP 100 X4		R122,123			RK73GB2A102J	CHIP R 1.0K J 1/10W	
CP10,11			R90-1014-05	MULTI-COMP 100 X4	E1E3	R124			RK73GB2A223J	CHIP R 22K J 1/10W	
CP12			R90-1014-05	MULTI-COMP 100 X4	KM1	R127			RK73GB2A104J	CHIP R 100K J 1/10W	
CP14,15			R90-0720-05	MULTI-COMP 100K X4		R129			RK73GB2A102J	CHIP R 1.0K J 1/10W	
CP16			R90-0724-05	MULTI-COMP 1K X4		R133,134			RK73GB2A104J	CHIP R 100K J 1/10W	
CP17			R90-0720-05	MULTI-COMP 100K X4		R135-138			RK73GB2A101J	CHIP R 100 J 1/10W	
R4			RK73GB2A391J	CHIP R 390 J 1/10W		R139-143			RK73GB2A104J	CHIP R 100K J 1/10W	
R5			RK73GB2A302J	CHIP R 3.0K J 1/10W		R148,149			RK73GB2A101J	CHIP R 100 J 1/10W	
R7			RK73GB2A302J	CHIP R 3.0K J 1/10W		R150			RK73GB2A102J	CHIP R 1.0K J 1/10W	
R8			RK73EB2E100J	CHIP R 10 J 1/4W		R152			RK73GB2A913J	CHIP R 91K J 1/10W	
R9			RK73GB2A102J	CHIP R 1.0K J 1/10W		R153,154			RK73GB2A472J	CHIP R 4.7K J 1/10W	
R10			RK73GB2A104J	CHIP R 100K J 1/10W		R155,156			RK73GB2A101J	CHIP R 100 J 1/10W	
R11-14			RK73GB2A103J	CHIP R 10K J 1/10W		R157			RK73GB2A102J	CHIP R 1.0K J 1/10W	E4E5E6
R15			RK73GB2A104J	CHIP R 100K J 1/10W		R157			RK73GB2A102J	CHIP R 1.0K J 1/10W	K1K2E2
R16			RK73GB2A562J	CHIP R 5.6K J 1/10W		R161			RK73GB2A163J	CHIP R 16K J 1/10W	
R17			RK73EB2E103J	CHIP R 10K J 1/4W		R162			RK73GB2A472J	CHIP R 4.7K J 1/10W	
R18			RK73GB2A103J	CHIP R 10K J 1/10W		R190			RK73GB2A223J	CHIP R 22K J 1/10W	
R19			RK73GB2A333J	CHIP R 33K J 1/10W		R191			RK73GB2A123J	CHIP R 12K J 1/10W	
R20			RK73GB2A104J	CHIP R 100K J 1/10W		R205			RK73EB2E102J	CHIP R 1.0K J 1/4W	
						R206			RK73GB2A102J	CHIP R 1.0K J 1/10W	

K : KDC-C669 **E1** : KDC-C669Y **E5** : KDC-C469FM
K1 : KDC-C469 **E2** : KDC-C469Y **E6** : KDC-C469FMA
K2 : KDC-C469FM **E3** : KDC-C669
M1 : KDC-C669 **E4** : KDC-C469

△ Indicates safety critical components.

PARTS LIST

* New parts

Parts without **Parts No.** are not supplied.

Les articles non mentionnés dans le **Parts No.** ne sont pas fournis.

Teile ohne **Parts No.** werden nicht geliefert.

CD PLAYER UNIT (X32-5470-0x)

Ref. No.	A d d	N e w	Parts No.	Description	Desti- nation
W2			R92-1252-05	CHIP R 0 OHM J 1/16W	
W3			R92-2053-05	CHIP R 0 J 1/8W	
W5-7			R92-1252-05	CHIP R 0 OHM J 1/16W	
S1			S68-0823-05	PUSH SWITCH	
S2			S70-0838-05	TACT SWITCH	
S3			S68-0823-05	PUSH SWITCH	
D1			DAP202K	DIODE	
D3,4			MA3056-M	ZENER DIODE	
D5			MA8075-M	ZENER DIODE	
D7			MA3056-M	ZENER DIODE	
D8			MA8062-M	ZENER DIODE	
D9,10			M1F60	DIODE	
D11			1SR154-400	DIODE	
D12			DA204U	DIODE	
D14			MA8091-M	ZENER DIODE	
D15			DAP202K	DIODE	
D16			DAP202U	DIODE	
D21,22			DAN202K	DIODE	
D23,24			DAN202U	DIODE	
IC1			UPD63711AGC	MOS-IC	
IC4			KIA78L05F	ANALOGUE IC	
IC5			LA6576	ANALOGUE IC	
IC7			UPD784214GC098	MI-COM IC	
IC8			BR24C02F-W	MEMORY IC	
IC8			CAT24WC02JI	MEMORY IC	
IC8			M24C02-WMN6T	MEMORY IC	
IC8			S-24C02BFJA	MEMORY IC	
IC8			24LC02BT-ISN	MEMORY IC	
IC9			S-80830CNNB	MOS-IC	
IC11			LC3564BT-70	MEMORY IC	E1E3
IC11			LC3564BT-70	MEMORY IC	KM1
Q1			MCH6101	TRANSISTOR	
Q4			DTA124EK	TRANSISTOR	
Q5			DTA124EUA	TRANSISTOR	
Q6,7			DTC343TK	TRANSISTOR	
Q8			DTA124EK	TRANSISTOR	
Q9			2SB1202	TRANSISTOR	
Q10			2SB1295	TRANSISTOR	
Q11			DTC124EK	TRANSISTOR	
Q13			DTC124EUA	TRANSISTOR	
Q14			DTA143EUA	TRANSISTOR	
Q16			2SC4081	TRANSISTOR	
Q17			DTA143EK	TRANSISTOR	
Q18,19			DTC124EUA	TRANSISTOR	
Q20			DTC124EK	TRANSISTOR	
Q21			2SB1202	TRANSISTOR	
Q22			2SC4081	TRANSISTOR	
Q30			DTC114YUA	TRANSISTOR	
Q31			DTC124EUA	TRANSISTOR	
MECHANISM ASSY (X92-4770-0x)					
1	2B		A10-4745-13	CHASSIS ASS'Y	
2	2B		A10-4748-02	CHASSIS CALKING ASS'Y	
3	2B		A10-4751-03	CHASSIS CALKING ASS'Y	
4	3A		A10-4754-04	CHASSIS CALKING ASS'Y	

Ref. No.	A d d	N e w	Parts No.	Description	Desti- nation
5	2A		A10-4763-02	CHASSIS CALKING ASS'Y	
6	2A		A10-4765-02	CHASSIS	
7	1A		A10-4766-02	CHASSIS CALKING ASS'Y	
C75	3A		C90-2945-05	ELECTRO 0.047F 5.5WV	E1E2E3
C75	3A		C90-2945-05	ELECTRO 0.047F 5.5WV	E4
C75	3A		C90-2945-05	ELECTRO 0.047F 5.5WV	KK1M1
11	2B		D10-4546-03	ARM	
12	2A		D10-4527-03	SLIDER	
13	2B		D10-4528-03	ARM	
14	2B		D10-4529-03	LEVER	
15	3A		D10-4531-04	LEVER ASS'Y	
16	2A		D10-4533-03	LEVER	
17	2A		D10-4541-04	SLIDER ASS'Y	
18	1B		D10-4543-13	SLIDER	
19	3A		D10-4537-04	SLIDER ASS'Y	
20	1B		D10-4545-13	ARM	
21	1B		D10-4548-03	LEVER	
22	2B		D12-0630-02	CAM	
23	2B		D12-0631-02	CAM	
24	3B		D13-2185-04	GEAR	
25	3B		D13-2186-04	GEAR	
26	3B		D13-2187-04	GEAR	
27	3A		D13-2188-04	WORM	
28	2B		D13-2092-04	GEAR	
29	2B		D13-2093-04	GEAR ASS'Y	
30	2B		D13-2095-04	GEAR	
31	2B		D13-2096-04	GEAR	
32	3A		D13-2099-04	GEAR	
33	3A		D13-2100-04	GEAR	
34	3A		D13-2101-04	GEAR	
35	3A		D13-2102-04	GEAR	
36	3A		D13-2103-04	GEAR	
37	3A		D13-2104-04	GEAR	
38	3B		D19-0636-04	LEAD SCREW	
39	3A		D19-0637-04	CLUTCH ASS'Y	
40	3A		D39-0225-05	DAMPER	
FC1	3A		E39-0172-15	FLAT CABLE (23PIN)	
FC2	3A		E39-0173-15	FLAT CABLE (16PIN)	
46	2B		G01-3036-04	TORSION COIL SPRING	
47	1B		G01-3037-04	EXTENSION SPRING	
48	2B		G01-3038-04	TORSION COIL SPRING	
49	3A		G01-3039-04	COMPRESSION SPRING	
50	3A		G01-3040-04	EXTENSION SPRING	
51	3A		G01-3041-04	EXTENSION SPRING	
52	1B		G01-3042-04	TORSION COIL SPRING	
53	2A		G01-3043-04	TORSION COIL SPRING	
54	1B		G01-3044-04	EXTENSION SPRING	
55	2A		G01-3046-04	EXTENSION SPRING (SILVER)	
56	2A		G01-3047-04	EXTENSION SPRING (BROWN)	
57	3B		G02-1374-04	FLAT SPRING	
58	3B		G02-1375-03	FLAT SPRING	
59	2B		G02-1376-03	FLAT SPRING	
61	2B		G02-1378-14	FLAT SPRING	

K : KDC-C669 **E1** : KDC-C669Y **E5** : KDC-C469FM
K1 : KDC-C469 **E2** : KDC-C469Y **E6** : KDC-C469FMA
K2 : KDC-C469FM **E3** : KDC-C669
M1 : KDC-C669 **E4** : KDC-C469

△ Indicates safety critical components.

PARTS LIST

* New parts

Parts without **Parts No.** are not supplied.

Les articles non mentionnés dans le **Parts No.** ne sont pas fournis.

Teile ohne **Parts No.** werden nicht geliefert.

MECHANISM ASSY (X92-4770-0x)

Ref. No.	Add New	Parts No.	Description	Destination
62	3A	G02-1380-04	FLAT SPRING	
63	2A	G10-1045-14	FELT	
68	2B	J11-0637-03	CLAMPER	
69	3B	J21-9592-04	MOUNTING HARDWARE	
70	1B	J21-9597-03	MOUNTING HARDWARE	
FPC1	3B	J84-0141-05	FLEXIBLE PRINTED WIRING BOARD	
A	2A	N09-4126-05	MACHINE SCREW	
B	3A	N09-4288-05	TAPTITE SCREW	
C	3A	N86-2005-46	BINDING HEAD TAPTITE SCREW	
D	2B	N09-4189-05	TAPTITE SCREW	
E	3B	N09-4154-05	TAPTITE SCREW	
F	2B	N09-4181-05	MACHINE SCREW	
G	3B	N39-1722-46	PAN HEAD MACHIN SCREW	
H	1A	N09-4349-05	TAPTITE SCREW	
J	3A	N19-2105-14	FLAT WASHER	
K	3A	N19-2058-04	FLAT WASHER	
L	1B	N19-2080-14	FLAT WASHER	
M	2B	N19-2028-04	FLAT WASHER	
M1	3B	T42-0797-04	DC MOTOR ASSY	
M2,3	3A	T42-0788-05	DC MOTOR	
Q15	3A	2SB1548(P)	TRANSISTOR	
Q15	3A	2SB1565(E,F)	TRANSISTOR	
PU1	3B	* X93-2000-00	OPTICAL PICKUP ASS'Y	
RF MODULATOR				
302	1F	A01-2819-08	CASE	K2
302	1F	A01-2824-08	CASE	E5E6
303	1E	B07-2138-08	HOLDER ASSY	K2E5E6
AT1	1E	E30-4310-08	ANTENNA CORD ASSY	K2E5E6
DC1	1E	E30-4733-08	DC CORD	K2E5E6
△ F1,2	2E	F06-3026-05	FUSE (3A)	K2E5E6
V	1F	N09-4207-08	SCREW (3X6,Ni-B)	K2E5E6
W	3F	N09-4206-08	SCREW (for CN102 x2)(3X8)	K2E5E6
305	3E	T95-0244-08	DISPLAY UNIT ASSY	E5
305	3E	T95-0247-08	DISPLAY UNIT ASSY	K2
305	3E	T95-0251-08	DISPLAY UNIT ASSY	E6
311	1E	T90-0512-05	ANTENNA ADAPTOR	E5E6
312	1E	T90-0521-05	ANTENNA ADAPTOR	E5E6
306	1E	W01-0763-08	MAGICTAPE ASSY	K2E5E6
RF MODULATOR UNIT				
C1		C90-2583-05	ELECTRO 1000UF 16WV	K2E5E6
C2		CK73FB1H223K	CHIP C 0.022UF K	K2E5E6
C3		CE04NW1H4R7M	ELECTRO 4.7UF 50WV	K2E5E6
C6		CE04NW1C100M	ELECTRO 10UF 16WV	K2E5E6
C7		CE04NW1H010M	ELECTRO 1.0UF 50WV	K2E5E6
C8		CK73FB1H102K	CHIP C 1000PF K	K2E5E6

Ref. No.	Add New	Parts No.	Description	Destination
C9,10		CK73FB1H103K	CHIP C 0.010UF K	K2E5E6
C11,12		CC73FCH1H220J	CHIP C 22PF J	K2E5E6
C13-17		CK73FB1H102K	CHIP C 1000PF K	K2E5E6
C19		CE04DW1A101M	ELECTRO 100UF 10WV	K2E5E6
C20		CE04DW1E221M	ELECTRO 220UF 25WV	K2E5E6
C24		CE04DW1C471M	ELECTRO 470UF 16WV	K2E5E6
C30		CE04DW1A102M	ELECTRO 1000UF 10WV	K2E5E6
C31		CE04DW1A221M	ELECTRO 220UF 10WV	K2E5E6
C32		CE04DW1A101M	ELECTRO 100UF 10WV	K2E5E6
C33		C90-2583-05	ELECTRO 1000UF 16WV	K2E5E6
C34		CE04NW1H010M	ELECTRO 1.0UF 50WV	K2E5E6
C35		CK73FB1H103K	CHIP C 0.010UF K	K2E5E6
C36		C90-2689-05	ELECTRO 3300UF 16WV	K2E5E6
C103		CK73FB1H103K	CHIP C 0.010UF K	K2
C103		CK73FB1H472K	CHIP C 4700PF K	E5E6
C104		CE04NW1C100M	ELECTRO 10UF 16WV	K2E5E6
C105		CE04DW1A221M	ELECTRO 220UF 10WV	K2E5E6
C106		CE04NW1C100M	ELECTRO 10UF 16WV	K2E5E6
C107		CC73FCH1H271J	CHIP C 270PF J	K2E5E6
C108		CK73FB1H102K	CHIP C 1000PF K	K2
C108		CK73FB1H681K	CHIP C 680PF K	E5E6
C109,110		CK73FF1H104Z	CHIP C 0.10UF Z	K2E5E6
C111		CE04NW1H010M	ELECTRO 1.0UF 50WV	K2E5E6
C112		CK73FB1H332K	CHIP C 3300PF K	K2E5E6
C113		CC73FCH1H181J	CHIP C 180PF J	K2E5E6
C114		CK73FB1H153K	CHIP C 0.015UF K	K2E5E6
C203		CK73FB1H103K	CHIP C 0.010UF K	K2
C203		CK73FB1H472K	CHIP C 4700PF K	E5E6
C204		CE04NW1C100M	ELECTRO 10UF 16WV	K2E5E6
C205		CE04DW1A221M	ELECTRO 220UF 10WV	K2E5E6
C206		CE04NW1C100M	ELECTRO 10UF 16WV	K2E5E6
C207		CC73FCH1H271J	CHIP C 270PF J	K2E5E6
C208		CK73FB1H102K	CHIP C 1000PF K	K2
C208		CK73FB1H681K	CHIP C 680PF K	E5E6
C209,210		CK73FF1H104Z	CHIP C 0.10UF Z	K2E5E6
C211		CE04NW1H010M	ELECTRO 1.0UF 50WV	K2E5E6
C212		CK73FB1H332K	CHIP C 3300PF K	K2E5E6
C213		CC73FCH1H181J	CHIP C 180PF J	K2E5E6
C214		CK73FB1H153K	CHIP C 0.015UF K	K2E5E6
C301		CE04NW1C100M	ELECTRO 10UF 16WV	K2E5E6
C302		CK73FB1H103K	CHIP C 0.010UF K	K2E5E6
C303		CC73FCH1H221J	CHIP C 220PF J	K2E5E6
C304		CC73FCH1H100D	CHIP C 10PF D	K2E5E6
C305		CK73FB1H103K	CHIP C 0.010UF K	K2E5E6
C306		CC73FCH1H221J	CHIP C 220PF J	K2E5E6
C308		CK73FB1H333K	CHIP C 0.033UF K	K2E5E6
C310		CC73FCH1H330J	CHIP C 33PF J	K2E5E6
C312		CK73FB1H103K	CHIP C 0.010UF K	K2E5E6
C314		CE04NW1HR22M	ELECTRO 0.22UF 50WV	K2E5E6
C315		CE04DW1A101M	ELECTRO 100UF 10WV	K2E5E6
C316		CK73FB1H103K	CHIP C 0.010UF K	K2E5E6
C317		CE04NW1H2R2M	ELECTRO 2.2UF 50WV	K2E5E6
C318,319		CK73FB1H103K	CHIP C 0.010UF K	K2E5E6
C320		CC73FCH1H181J	CHIP C 180PF J	K2E5E6
C321		CE04NW1H010M	ELECTRO 1.0UF 50WV	K2E5E6

K : KDC-C669 **E1** : KDC-C669Y **E5** : KDC-C469FM
K1 : KDC-C469 **E2** : KDC-C469Y **E6** : KDC-C469FMA
K2 : KDC-C469FM **E3** : KDC-C669
M1 : KDC-C669 **E4** : KDC-C469

△ Indicates safety critical components.

PARTS LIST

* New parts

Parts without **Parts No.** are not supplied.

Les articles non mentionnés dans le **Parts No.** ne sont pas fournis.

Teile ohne **Parts No.** werden nicht geliefert.

RF MODULATOR UNIT

Ref. No.	A d d	N e w	Parts No.	Description	Desti- nation
C322			CC73FUJ1H221J	CHIP C 220PF J	K2E5E6
C323			CC73FUJ1H680J	CHIP C 68PF J	K2E5E6
C324			CC73FUJ1H150J	CHIP C 15PF J	K2E5E6
C325			CK73FB1H103K	CHIP C 0.010UF K	K2E5E6
C326			CE04DW1E470M	ELECTRO 47UF 25WV	K2E5E6
C327			CC73FUJ1H150J	CHIP C 15PF J	K2E5E6
C328			CC73FCH1H020C	CHIP C 2.0PF C	K2E5E6
C329			CC73FCH1H150J	CHIP C 15PF J	K2E5E6
C330			CK73FB1H103K	CHIP C 0.010UF K	K2E5E6
C331			CC73FCH1H010C	CHIP C 1.0PF C	K2E5E6
C332			CC73FCH1H050C	CHIP C 5.0PF C	K2E5E6
C333,334			CC73FCH1H330J	CHIP C 33PF J	K2E5E6
C335			CE04NW1H4R7M	ELECTRO 4.7UF 50WV	K2E5E6
C336			CK73FB1H222K	CHIP C 2200PF K	K2E5E6
C338			CC73FCH1H050C	CHIP C 5.0PF C	K2E5E6
VC301			C05-0513-08	TRIMMER 20P	K2E5E6
CN101			E56-0811-05	CONNECTOR (8P)	K2E5E6
CN102			E56-0833-08	CONNECTOR (13P)	K2E5E6
CN104,105			E40-3237-05	PIN ASSY	K2E5E6
L1			L33-0934-08	CHOKING COIL	K2E5E6
L301			L33-1043-08	SMALL FIXED INDUCTOR (0.22uH)	K2E5E6
L302,303			L33-0976-08	SMALL FIXED INDUCTOR (2.2uH)	K2E5E6
L304			L33-1043-08	SMALL FIXED INDUCTOR (0.22uH)	K2E5E6
L305			L33-1042-08	SMALL FIXED INDUCTOR (0.12uH)	K2E5E6
X301			L77-2716-08	CRYSTAL RESONATOR (38KHz)	K2E5E6
X302			L77-2062-08	CRYSTAL RESONATOR (4.5MHz)	K2E5E6
R1			RD14BB2C242J	RD 2.4K J 1/6W	K2E5E6
R2			RD14BB2C222J	RD 2.2K J 1/6W	K2E5E6
R6			RK73FB2A223J	CHIP R 22K J 1/10W	K2E5E6
R7			R92-2148-08	CHIP R 22 J 2W	K2E5E6
R8			RD14BB2C223J	RD 22K J 1/6W	K2E5E6
R9			RD14BB2C222J	RD 2.2K J 1/6W	K2E5E6
R11			RD14BB2C102J	RD 1.0K J 1/6W	K2E5E6
R12			RD14BB2C103J	RD 10K J 1/6W	K2E5E6
R13			RD14BB2C104J	RD 100K J 1/6W	K2E5E6
R14			RD14BB2C332J	RD 3.3K J 1/6W	K2E5E6
R15			RD14BB2C104J	RD 100K J 1/6W	K2E5E6
R16			RD14BB2C332J	RD 3.3K J 1/6W	K2E5E6
R17			RD14BB2C102J	RD 1.0K J 1/6W	K2E5E6
R18			RK73FB2A104J	CHIP R 100K J 1/10W	K2E5E6
R19			RD14BB2C332J	RD 3.3K J 1/6W	K2E5E6
R20			RD14BB2C102J	RD 1.0K J 1/6W	K2E5E6
R21			RD14BB2C472J	RD 4.7K J 1/6W	K2E5E6
R22,23			RD14BB2C102J	RD 1.0K J 1/6W	K2E5E6
R24			RD14BB2C472J	RD 4.7K J 1/6W	K2E5E6
R25,26			RD14BB2C102J	RD 1.0K J 1/6W	K2E5E6
R27,28			RK73FB2A103J	CHIP R 10K J 1/10W	K2E5E6
R31			RK73FB2A473J	CHIP R 47K J 1/10W	K2E5E6
R33			RK73FB2A473J	CHIP R 47K J 1/10W	K2E5E6
R34			RK73FB2A182J	CHIP R 1.8K J 1/10W	K2E5E6
R35			RK73FB2A151J	CHIP R 150 J 1/10W	K2E5E6
R102			RK73FB2A152J	CHIP R 1.5K J 1/10W	K2E5E6
R103			RK73FB2A682J	CHIP R 6.8K J 1/10W	K2E5E6

Ref. No.	A d d	N e w	Parts No.	Description	Desti- nation
R104			RK73FB2A103J	CHIP R 10K J 1/10W	K2E5E6
R105-108			R92-0363-05	CHIP R 10K F 1/10W	K2E5E6
R109			RK73FB2A182J	CHIP R 1.8K J 1/10W	K2E5E6
R110			RK73FB2A391J	CHIP R 390 J 1/10W	K2E5E6
R111			RK73FB2A102J	CHIP R 1.0K J 1/10W	K2E5E6
R112			RK73FB2A753J	CHIP R 75K J 1/10W	K2E5E6
R113			RK73FB2A104J	CHIP R 100K J 1/10W	K2E5E6
R114-116			RK73FB2A682J	CHIP R 6.8K J 1/10W	K2E5E6
R202			RK73FB2A152J	CHIP R 1.5K J 1/10W	K2E5E6
R203			RK73FB2A682J	CHIP R 6.8K J 1/10W	K2E5E6
R204			RK73FB2A103J	CHIP R 10K J 1/10W	K2E5E6
R205-208			R92-0363-05	CHIP R 10K F 1/10W	K2E5E6
R209			RK73FB2A182J	CHIP R 1.8K J 1/10W	K2E5E6
R210			RK73FB2A391J	CHIP R 390 J 1/10W	K2E5E6
R212			RK73FB2A753J	CHIP R 75K J 1/10W	K2E5E6
R213			RK73FB2A104J	CHIP R 100K J 1/10W	K2E5E6
R214-216			RK73FB2A682J	CHIP R 6.8K J 1/10W	K2E5E6
R301			RK73FB2A154J	CHIP R 150K J 1/10W	K2E5E6
R302			RK73FB2A123J	CHIP R 12K J 1/10W	K2E5E6
R306			RK73FB2A103J	CHIP R 10K J 1/10W	K2E5E6
R307			RK73FB2A472J	CHIP R 4.7K J 1/10W	K2E5E6
R308			RK73FB2A124J	CHIP R 120K J 1/10W	E5E6
R308			RK73FB2A154J	CHIP R 150K J 1/10W	K2
R314			RK73FB2A473J	CHIP R 47K J 1/10W	K2E5E6
R316			RK73FB2A122J	CHIP R 1.2K J 1/10W	K2E5E6
R317			RK73FB2A242J	CHIP R 2.4K J 1/10W	K2E5E6
R318			RK73FB2A332J	CHIP R 3.3K J 1/10W	K2E5E6
R319			RD14BB2C122J	RD 1.2K J 1/6W	K2E5E6
R320			RK73FB2A103J	CHIP R 10K J 1/10W	K2E5E6
R322			RD14BB2C472J	RD 4.7K J 1/6W	K2E5E6
R323			RK73FB2A471J	CHIP R 470 J 1/10W	K2E5E6
R325,326			RK73FB2A223J	CHIP R 22K J 1/10W	K2E5E6
R327			RK73FB2A473J	CHIP R 47K J 1/10W	K2E5E6
R328			RK73FB2A271J	CHIP R 270 J 1/10W	K2E5E6
R329			RK73FB2A470J	CHIP R 47 J 1/10W	K2E5E6
R330			RK73FB2A331J	CHIP R 330 J 1/10W	K2E5E6
R331			RK73FB2A473J	CHIP R 47K J 1/10W	K2E5E6
R332			RK73FB2A101J	CHIP R 100 J 1/10W	K2E5E6
R333			RK73FB2A470J	CHIP R 47 J 1/10W	K2E5E6
R334			RK73FB2A472J	CHIP R 4.7K J 1/10W	K2E5E6
R337,338			RK73FB2A472J	CHIP R 4.7K J 1/10W	K2E5E6
R339,340			RK73FB2A391J	CHIP R 390 J 1/10W	K2E5E6
R343			RK73FB2A101J	CHIP R 100 J 1/10W	K2E5E6
R346			RK73FB2A472J	CHIP R 4.7K J 1/10W	K2E5E6
R348			RK73FB2A224J	CHIP R 220K J 1/10W	K2E5E6
VR301			R32-0208-08	TRIMMING POT. 33K(B)	K2E5E6
VR303			R32-0207-08	TRIMMING POT. 10K(B)	K2E5E6
RL1			S76-0802-08	MAGNET RELAY	K2E5E6
D1			DSK10C-ET1	DIODE	K2E5E6
D2			DSK10C-BT	DIODE	K2E5E6
D5			DSK10C-ET1	DIODE	K2E5E6
D8,9			1SS131	DIODE	K2E5E6
D12,13			1SS131	DIODE	K2E5E6

K : KDC-C669 **E1** : KDC-C669Y **E5** : KDC-C469FM
K1 : KDC-C469 **E2** : KDC-C469Y **E6** : KDC-C469FMA
K2 : KDC-C469FM **E3** : KDC-C669
M1 : KDC-C669 **E4** : KDC-C469

△ Indicates safety critical components.

PARTS LIST

* New parts

Parts without **Parts No.** are not supplied.

Les articles non mentionnés dans le **Parts No.** ne sont pas fournis.

Teile ohne **Parts No.** werden nicht geliefert.

RF MODULATOR UNIT

Ref. No.	Add	New	Parts No.	Description	Destination	Ref. No.	Add	New	Parts No.	Description	Destination
D14			DSK10C-ET1	DIODE	K2E5E6	R16,17			RK73GB1J102J	CHIP R 1.0K J 1/16W	K2E5E6
D15			DSK10C-BT	DIODE	K2E5E6						
D16			1SS131	DIODE	K2E5E6	SW1-9			S70-0828-08	TACT SWITCH	K2E5E6
D101			DA204K	DIODE	K2E5E6						
D201			DA204K	DIODE	K2E5E6	D1-5			DA204K	DIODE	K2E5E6
D302			DA204K	DIODE	K2E5E6	IC1			LC75852W	IC (LCD DRIVER)	K2E5E6
IC1		*	UPC7805AHF	IC (VOLTAGE REGULATOR/ +5V)	K2E5E6	IC2			PNA4602M	IC (REMOTE SENSOR)	K2E5E6
IC2			LC72329-9B24	IC (MICRO COMPUTER)	K2E5E6	Q1			DTC144EK	DIGITAL TRANSISTOR	K2E5E6
IC4			NJM78L05UA	IC (VOLTAGE REGULATOR/ +5V)	K2E5E6	Q2			DTB123YK	DIGITAL TRANSISTOR	K2E5E6
IC101			NJM2060M	IC (OP AMP X4)	K2E5E6	Q3			DTA144EK	DIGITAL TRANSISTOR	K2E5E6
IC102			NJM4565MD	IC (OP AMP X2)	K2E5E6	Q4			DTC144EK	DIGITAL TRANSISTOR	K2E5E6
IC301			BA1405F	IC (MPX)	K2E5E6	Q5			DTA144EK	DIGITAL TRANSISTOR	K2E5E6
IC302			NJM4565MD	IC (OP AMP X2)	K2E5E6						
Q1			DTC124EK	DIGITAL TRANSISTOR	K2E5E6						
Q2			2SA1782(T,U)	TRANSISTOR	K2E5E6						
Q3			DTC124EK	DIGITAL TRANSISTOR	K2E5E6						
Q4,5			DTC143TK	DIGITAL TRANSISTOR	K2E5E6						
Q6			DTA124EK	DIGITAL TRANSISTOR	K2E5E6						
Q8			DTC143TK	DIGITAL TRANSISTOR	K2E5E6						
Q9			2SC4640(T,U)	TRANSISTOR	K2E5E6						
Q101			2SK2158	FET	K2E5E6						
Q201			2SK2158	FET	K2E5E6						
Q303			2SA1162(GR)	TRANSISTOR	K2E5E6						
Q304,305			2SK2158	FET	K2E5E6						
Q306			2SK508L	FET	K2E5E6						
Q307			2SC2714(Y)	TRANSISTOR	K2E5E6						
Q308-310			2SK2158	FET	K2E5E6						
VD301			HVU306A-3	VARIABLE DIODE	K2E5E6						
ZD1-7			MTZ6.2J(B)	ZENER DIODE	K2E5E6						
DISPLAY UNIT											
320			A02-1460-08	FRONT CASE	K2E5E6						
321			A02-1446-08	REAR CASE	K2E5E6						
323			B10-3055-08	FRONT GLASS ASSY	K2E5						
323			B10-4108-08	FRONT GLASS ASSY	E6						
LCD1			B38-0643-08	LCD	K2E5E6						
LED1-18			B30-1459-08	LED	K2E5						
LED1-18			B30-1626-08	LED (RED) E6							
C1			C92-0047-05	CHIP-ELE 47UF 6.3WV	K2E5E6						
C2			CK73GB1H681K	CHIP C 680PF K	K2E5E6						
C3			C92-0037-05	CHIP-ELE 10UF 16WV	K2E5E6						
C4,5			CK73FB1H223K	CHIP C 0.022UF K	K2E5E6						
CN1			E30-4309-08	DIN CORD ASSY (8P)	K2E5E6						
331			K25-0713-08	KNOB (REP, RDM, PLAY/PAUSE)	K2E5E6						
332			K29-5576-08	KNOB ASSY (PWR, RESET)	K2E5E6						
333			K29-5585-08	KNOB (TRACK)	K2E5E6						
334			K29-5586-08	KNOB (DISC)	K2E5E6						
Y			N79-2040-45	SCREW (POWER-KEY x1)	K2E5E6						
Z			N79-2080-45	SCREW (REAR CASE x1)	K2E5E6						
R1-3			RK73GB1J222J	CHIP R 2.2K J 1/16W	K2E5E6						
R4			RK73GB1J101J	CHIP R 100 J 1/16W	K2E5E6						
R5			RK73GB1J222J	CHIP R 2.2K J 1/16W	K2E5E6						
R6			RK73GB1J513J	CHIP R 51K J 1/16W	K2E5E6						
R7-15			RK73FB2A470J	CHIP R 47 J 1/10W	K2E5E6						

K : KDC-C669 **E1** : KDC-C669Y **E5** : KDC-C469FM
K1 : KDC-C469 **E2** : KDC-C469Y **E6** : KDC-C469FMA
K2 : KDC-C469FM **E3** : KDC-C669
M1 : KDC-C669 **E4** : KDC-C469

△ Indicates safety critical components.