

TK-3180

PARTS LIST

* New Parts. Δ indicates safety critical components.

Parts without **Parts No.** are not supplied.

Les articles non mentionnés dans le **Parts No.** ne sont pas fournis.

Teile ohne **Parts No.** werden nicht geliefert.

L : Scandinavia

Y : PX (Far East, Hawaii)

Y : AAFES (Europe)

K : USA

T : England

X : Australia

P : Canada

E : Europe

M : Other Areas

TK-3180 (Y50-5880-XX)

DISPLAY UNIT (X54-3470-XX)

Ref. No.	Address	New parts	Parts No.	Description	Destination
TK-3180					
1	1B	*	A02-3847-03	CABINET ASSY	K K3
2	1A	*	A02-3848-03	CABINET ASSY	
3	3A	*	A10-4076-11	CHASSIS	
4	3B	*	A62-1093-02	PANEL	
6	2D		B09-0625-03	CAP ACCESSORY	
7	1A	*	B10-2752-22	FRONT GLASS	
8	2A	*	B11-1815-04	FILTER (LCD)	
9	2A	*	B11-1816-12	ILLUMINATION GUIDE (LCD)	
10	3B	*	B11-1820-04	ILLUMINATION GUIDE (BUSY/TX)	
11	2A	*	B38-0900-05	LCD ASSY	
12	2C	*	B62-1759-00	INSTRUCTION MANUAL	
13	3A	*	B72-2260-04	MODEL NAME PLATE	K K3
13	3A	*	B72-2262-04	MODEL NAME PLATE	
15	2B		E04-0416-05	RF COAXIAL RECEPTACLE (SMA)	
16	3B		E23-1104-04	TERMINAL	
17	2A		E37-1101-05	SPEAKER WIRE (RED)	
18	2A		E37-1102-05	SPEAKER WIRE (BLACK)	
19	2A	*	E37-1107-05	FLAT CABLE	
20	3B	*	E58-0511-05	SQUARE SOCKET	
21	3B	*	E72-0419-03	TERMINAL BLOCK	
23	3A	*	F07-1880-04	COVER	
24	2B	*	F12-0476-04	SHIELDING SHEET	
25	2B	*	F12-0477-04	SHIELDING SHEET	
26	2A	*	F15-1012-04	SHADOW PLATE	
27	3B	*	F20-3350-04	INSULATING SHEET	
29	2A	*	G10-1340-04	FIBROUS SHEET	
30	2A	*	G10-1341-04	FIBROUS SHEET	
31	2A	*	G11-4272-04	RUBBER CUSHION	
32	3A	*	G11-4273-14	SHEET	
33	3A	*	G11-4308-14	RUBBER SHEET (FINAL FET)	
34	1A	*	G11-4326-04	SHEET	
35	3A	*	G11-4332-04	SHEET	
36	2B		G13-1934-04	CUSHION	
37	2A	*	G13-2055-04	CUSHION	
38	2A	*	G13-2068-04	CUSHION	
39	2B	*	G53-1598-01	PACKING	K K3
40	1A	*	G53-1599-01	PACKING	
41	3B	*	G53-1600-12	PACKING	
42	3B	*	G53-1601-04	PACKING	
43	3A	*	G53-1602-14	PACKING	
44	2B,3B	*	G53-1603-04	PACKING	
46	2C,1D	*	H12-3157-02	PACKING FIXTURE	
47	3D	*	H52-2060-02	ITEM CARTON CASE	
49	2A	*	J19-5460-02	HOLDER	
50	2B	*	J19-5478-03	HOLDER	
51	2C	*	J29-0710-05	HOOK ACCESSORY	
52	3B	*	J30-1279-04	SPACER	
53	2B	*	J82-0089-05	FPC (VOL/ENC)	
54	3B	*	J82-0090-15	FPC (UNIVERSAL)	
55	3A	*	J82-0091-15	FPC (PTT)	
57	1A	*	K29-9302-23	KNOB (SIDE)	

Ref. No.	Address	New parts	Parts No.	Description	Destination
58	1A	*	K29-9303-03	BUTTON KNOB (SIDE)	
59	1B	*	K29-9304-03	KNOB (VOLUME)	
60	1A	*	K29-9305-03	KNOB (CH SELECTOR)	
A	2D		N08-0548-04	DRESSED SCREW ACCESSORY	
B	3B	*	N09-2426-04	HEXAGON HEAD SCREW	
C	3B	*	N14-0806-04	CIRCULAR NUT	
D	3B	*	N14-0810-04	CIRCULAR NUT	
E	2A,3A		N30-2004-45	PAN HEAD MACHINE SCREW	
F	2B		N30-2604-46	PAN HEAD MACHINE SCREW	
G	3A		N30-2608-45	PAN HEAD MACHINE SCREW	
H	2C	*	N30-3008-60	PAN HEAD MACHINE SCREW ACC	
J	2A,2B		N83-2005-46	PAN HEAD TAPTITE SCREW	
62	3B	*	R31-0652-05	VARIABLE RESISTOR	
64	2B	*	S60-0430-05	ROTARY SWITCH	
66	1A	*	T07-0749-15	SPEAKER	
68	3A	*	W09-0971-05	LITHIUM CELL	

DISPLAY UNIT (X54-3470-XX) -10 : K -11 : K3

D501,502			B30-2215-05	LED	K3
D511-516			B30-2215-05	LED	
D517-520			B30-2210-05	LED (TLY)	
C500-503			CK73HB1H471K	CHIP C 470PF K	
C508			CK73HB1H471K	CHIP C 470PF K	
C513			CK73GB1C104K	CHIP C 0.10UF K	
C518			CK73HB1H471K	CHIP C 470PF K	
C522			CK73HB1H102K	CHIP C 1000PF K	
C523,524		*	C92-0827-05	CHIP-TAN 4.7UF 10WV	
C525			CK73HB1H471K	CHIP C 470PF K	
C527,528		*	C92-0826-05	CHIP-TAN 1.0UF 16WV	
C537,538			CK73GB0J475K	CHIP C 4.7UF K	
C539-546			CC73HCH1H470J	CHIP C 47PF J	
C548-551			CC73HCH1H470J	CHIP C 47PF J	
C553,554			CK73HB1H102K	CHIP C 1000PF K	
C555		*	CK73HB0J105K	CHIP C 1.0UF K	
C556			CK73HB1H102K	CHIP C 1000PF K	
C562		*	CK73HB0J105K	CHIP C 1.0UF K	
CN507		*	E40-6410-05	FLAT CABLE CONNECTOR	
CN508,509		*	E40-6413-05	FLAT CABLE CONNECTOR	
L550			L92-0163-05	BEADS CORE	
L553,554			L92-0419-15	FERRITE CHIP	
L555			L92-0163-05	BEADS CORE	
CP501			RK75HA1J102J	CHIP-COM 1.0K J 1/16W	
CP503,504			RK75HA1J102J	CHIP-COM 1.0K J 1/16W	
CP506,507			RK75HA1J102J	CHIP-COM 1.0K J 1/16W	
CP509			RK75HA1J102J	CHIP-COM 1.0K J 1/16W	
R500,501			RK73HB1J102J	CHIP R 1.0K J 1/16W	
R517			R92-1368-05	CHIP R 0 OHM	
R518			RK73HB1J331J	CHIP R 330 J 1/16W	
R520			RK73HB1J472J	CHIP R 4.7K J 1/16W	
R522			RK73HB1J391J	CHIP R 390 J 1/16W	
R524-526			RK73HB1J391J	CHIP R 390 J 1/16W	K3

PARTS LIST

DISPLAY UNIT (X54-3470-XX)
TX-RX UNIT (X57-6940-10)

Ref. No.	Address	New parts	Parts No.	Description	Destination	Ref. No.	Address	New parts	Parts No.	Description	Destination
R527			R92-1368-05	CHIP R 0 OHM		C37			CC73HCH1H470J	CHIP C 47PF J	
R531			R92-1368-05	CHIP R 0 OHM		C38			CC73GCH1H560J	CHIP C 56PF J	
R533			R92-1368-05	CHIP R 0 OHM		C41			CC73GCH1H820J	CHIP C 82PF J	
R534			RK73HB1J101J	CHIP R 100 J 1/16W		C43			CK73HB0J105K	CHIP C 1.0UF K	
R535			R92-1368-05	CHIP R 0 OHM		C44			CC73HCH1H130J	CHIP C 13PF J	
R537			RK73HB1J101J	CHIP R 100 J 1/16W		C45			CC73HCH1H090B	CHIP C 9.0PF B	
R540-543			RK73HB1J471J	CHIP R 470 J 1/16W		C46			CC73HCH1H040B	CHIP C 4.0PF B	
R544			RK73HB1J154J	CHIP R 150K J 1/16W		C47			CC73HCH1H020B	CHIP C 2.0PF B	
R545			RK73HB1J474J	CHIP R 470K J 1/16W		C48			CC73HCH1HR75B	CHIP C 0.75PF B	
R546			RK73HB1J823J	CHIP R 82K J 1/16W		C49,50			CC73HCH1H020B	CHIP C 2.0PF B	
R547			RK73HB1J393J	CHIP R 39K J 1/16W		C51			CC73HCH1H050B	CHIP C 5.0PF B	
R552			RK73HB1J471J	CHIP R 470 J 1/16W		C52			CC73HCH1H040B	CHIP C 4.0PF B	
R559			R92-1368-05	CHIP R 0 OHM		C53			CC73HCH1H101J	CHIP C 100PF J	
R560			RK73HB1J474J	CHIP R 470K J 1/16W		C54			CC73HCH1H060B	CHIP C 6.0PF B	
R561			RK73HB1J103J	CHIP R 10K J 1/16W		C55			CC73HCH1H040B	CHIP C 4.0PF B	
R562-568			RK73HB1J102J	CHIP R 1.0K J 1/16W		C56			CC73HCH1H101J	CHIP C 100PF J	
R570			R92-1252-05	CHIP R 0 OHM J 1/16W		C57,58			CC73GCH1H0R5B	CHIP C 0.5PF B	
R571			R92-1368-05	CHIP R 0 OHM		C59-62			CC73HCH1H101J	CHIP C 100PF J	
R573			RK73HB1J474J	CHIP R 470K J 1/16W		C63			C92-0713-05	CHIP-TAN 10UF 6.3VW	
R574,575			R92-1368-05	CHIP R 0 OHM		C64			CC73HCH1H101J	CHIP C 100PF J	
MIC500	2A		T91-0579-05	MIC ELEMENT		C65			CC73HCH1H070D	CHIP C 7.0PF D	
D500			MA2S111	DIODE		C66			CC73HCH1H100C	CHIP C 10PF C	
D522			DA221	DIODE		C67			CC73HCH1H330J	CHIP C 33PF J	
IC500			BU2099FV	MOS IC		C68-70			CK73HB1H471K	CHIP C 470PF K	
IC501			XC6201P352MR	MOS IC		C71			CC73HCH1H070D	CHIP C 7.0PF D	
IC502,503			HD74LV2G34AUS	MOS IC		C72-74			CC73HCH1H470J	CHIP C 47PF J	
Q501			2SC4617(S)	TRANSISTOR		C75			CC73HCH1H030B	CHIP C 3.0PF B	
Q502			2SB1132(Q,R)	TRANSISTOR		C78			CC73HCH1H101J	CHIP C 100PF J	
Q504			2SK1830	FET		C79			CK73HB1H222K	CHIP C 2200PF K	
Q505		*	2SJ144(Y)	FET		C100,101			CK73HB1H471K	CHIP C 470PF K	
TX-RX UNIT (X57-6940-10)						C103,104			CK73HB1H471K	CHIP C 470PF K	
D400		*	B30-2278-05	LED (RED/YELLOW)		C105			CC73HCH1H070D	CHIP C 7.0PF D	
C1,2			CC73HCH1H101J	CHIP C 100PF J		C106,107			CK73HB1H471K	CHIP C 470PF K	
C3			CC73HCH1H100C	CHIP C 10PF C		C109			CK73HB1H471K	CHIP C 470PF K	
C4			CK73HB1C103K	CHIP C 0.010UF K		C111			CK73HB1A104K	CHIP C 0.10UF K	
C5			CC73HCH1H100C	CHIP C 10PF C		C113			CK73HB1H471K	CHIP C 470PF K	
C6			CK73HB1H102K	CHIP C 1000PF K		C114			CC73HCH1H100C	CHIP C 10PF C	
C7,8			CC73HCH1H470J	CHIP C 47PF J		C116			CK73HB1H471K	CHIP C 470PF K	
C9-13			CC73HCH1H101J	CHIP C 100PF J		C117			CK73HB1A104K	CHIP C 0.10UF K	
C14-16			CC73HCH1H470J	CHIP C 47PF J		C118			CC73HCH1H330J	CHIP C 33PF J	
C17			CC73HCH1H080B	CHIP C 8.0PF B		C119,120			CC73HCH1H100C	CHIP C 10PF C	
C18			CC73HCH1H101J	CHIP C 100PF J		C121		*	CK73GB1E105K	CHIP C 1.0UF K	
C19			CC73HCH1H090B	CHIP C 9.0PF B		C122			CK73HB1H471K	CHIP C 470PF K	
C20			CC73HCH1H101J	CHIP C 100PF J		C123			C92-0565-05	CHIP-TAN 6.8UF 10VW	
C21			CK73HB1C223K	CHIP C 0.022UF K		C125-128			CK73HB1H471K	CHIP C 470PF K	
C22			CC73HCH1H1R5B	CHIP C 1.5PF B		C129			CC73HCH1H180J	CHIP C 18PF J	
C23			CC73HCH1H030B	CHIP C 3.0PF B		C131			CK73HB1H471K	CHIP C 470PF K	
C24			C92-0001-05	CHIP C 0.1UF 35VW		C132			CC73HCH1H101J	CHIP C 100PF J	
C25			C92-0588-05	CHIP-TAN 1.5UF 16V		C133			CK73HB1H471K	CHIP C 470PF K	
C26			CC73HCH1H030B	CHIP C 3.0PF B		C135			CK73HB1H471K	CHIP C 470PF K	
C27			CC73HCH1H020B	CHIP C 2.0PF B		C136			CK73HB1C103K	CHIP C 0.010UF K	
C28			CC73HCH1H050B	CHIP C 5.0PF B		C137			C93-0764-05	CHIP C 47PF 50VW	
C29			CC73HCH1H470J	CHIP C 47PF J		C138			CK73HB1H471K	CHIP C 470PF K	
C30			C92-0001-05	CHIP C 0.1UF 35VW		C139			CK73GB1C104K	CHIP C 0.10UF K	
C31			CC73HCH1H470J	CHIP C 47PF J		C140		*	CK73GB1E105K	CHIP C 1.0UF K	
C32,33			CC73HCH1H101J	CHIP C 100PF J		C141			C93-0754-05	CHIP C 18PF J	
C35			CC73HCH1H470J	CHIP C 47PF J		C142			C93-0760-05	CHIP C 33PF 50VW	
						C143			CK73HB1C103K	CHIP C 0.010UF K	
						C144			CK73HB1H471K	CHIP C 470PF K	
						C149			CC73GCH1H101J	CHIP C 100PF J	

PARTS LIST

TX-RX UNIT (X57-6940-10)

Ref. No.	Address	New parts	Parts No.	Description	Destination	Ref. No.	Address	New parts	Parts No.	Description	Destination
C150			CK73HB1H471K	CHIP C 470PF K		C261			CK73HB1H471K	CHIP C 470PF K	
C151			CC73GCH1H030B	CHIP C 3.0PF B		C262			CC73HCH1H330J	CHIP C 33PF J	
C152			CC73GCH1H101J	CHIP C 100PF J		C263			CC73HCH1H040B	CHIP C 4.0PF B	
C153			CC73HCH1H050B	CHIP C 5.0PF B		C264			C92-0714-05	CHIP-TAN 4.7UF 6.3WV	
C154			CC73HCH1H1R5B	CHIP C 1.5PF B		C265,266			CK73HB1H471K	CHIP C 470PF K	
C155			CC73HCH1H060B	CHIP C 6.0PF B		C269,270			CK73HB1H471K	CHIP C 470PF K	
C156			CC73GCH1H020B	CHIP C 2.0PF B		C271		*	CK73HBOJ105K	CHIP C 1.0UF K	
C157			CC73HCH1H070B	CHIP C 7.0PF B		C273-275			CK73HB1H471K	CHIP C 470PF K	
C159			CC73HCH1H040B	CHIP C 4.0PF B		C276			CC73GCH1H2R5B	CHIP C 2.5PF B	
C161			C93-0745-05	CHIP C 7.0PF 50WV		C277			CC73HCH1H330J	CHIP C 33PF J	
C200			CK73HB1A104K	CHIP C 0.10UF K		C279			CC73GCH1H1R5B	CHIP C 1.5PF B	
C201			CK73HB1C103K	CHIP C 0.010UF K		C280			CK73HB1H471K	CHIP C 470PF K	
C202			CK73HB1C223K	CHIP C 0.022UF K		C281			CC73HCH1H330J	CHIP C 33PF J	
C203			CK73HB1H102K	CHIP C 1000PF K		C282			CC73HCH1H010B	CHIP C 1.0PF B	
C204			CK73HB1A104K	CHIP C 0.10UF K		C283			CC73HCH1H050B	CHIP C 5.0PF B	
C205			CK73HB1C103K	CHIP C 0.010UF K		C284			CC73GCH1H030B	CHIP C 3.0PF B	
C206			CK73HB1H102K	CHIP C 1000PF K		C285			CK73HB1H471K	CHIP C 470PF K	
C207			CK73HB1A104K	CHIP C 0.10UF K		C286			CC73GCH1H101J	CHIP C 100PF J	
C208			CK73HB1H182K	CHIP C 1800PF K		C287			CC73GCH1H090B	CHIP C 9.0PF B	
C209,210			CK73HB1A104K	CHIP C 0.10UF K		C289			CC73HCH1H040B	CHIP C 4.0PF B	
C211,212			CK73HB1H221K	CHIP C 220PF K		C290		*	CK73HBOJ224K	CHIP C 0.22UF K	
C213			CC73HCH1H101J	CHIP C 100PF J		C292			CK73HB1C103K	CHIP C 0.010UF K	
C214			C92-0773-05	CHIP-TAN 15UF 6.3WV		C294			CC73GCH1H200J	CHIP C 20PF J	
C215,216			CK73HB1A104K	CHIP C 0.10UF K		C401,402			CK73HB1H471K	CHIP C 470PF K	
C217			CC73HCH1H680J	CHIP C 68PF J		C404-414			CK73HB1H471K	CHIP C 470PF K	
C218			CC73HCH1H470J	CHIP C 47PF J		C415			CK73FB1A475K	CHIP C 4.7UF K	
C219			CK73HB1A333K	CHIP C 0.033UF K		C416			CK73HB1H102K	CHIP C 1000PF K	
C220			CK73HB1C103K	CHIP C 0.010UF K		C418			CK73HB1H102K	CHIP C 1000PF K	
C221			C92-0713-05	CHIP-TAN 10UF 6.3WV		C419		*	CK73GB1E105K	CHIP C 1.0UF K	
C222			CK73HB1A104K	CHIP C 0.10UF K		C420			CK73GB1C104K	CHIP C 0.10UF K	
C226			CK73HB1H471K	CHIP C 470PF K		C421			CK73GB1A224K	CHIP C 0.22UF K	
C227,228			CK73HB1C103K	CHIP C 0.010UF K		C422		*	CK73GB1E105K	CHIP C 1.0UF K	
C229			CC73HCH1H040B	CHIP C 4.0PF B		C423		*	C92-0825-05	CHIP-TAN 10UF 10WV	
C230			CC73HCH1H270J	CHIP C 27PF J		C425		*	CK73GB1E105K	CHIP C 1.0UF K	
C231			CC73HCH1H040B	CHIP C 4.0PF B		C426			CC73HCH1H101J	CHIP C 100PF J	
C232			CK73HB1C103K	CHIP C 0.010UF K		C427		*	CK73GB1E105K	CHIP C 1.0UF K	
C233			CK73HB1H471K	CHIP C 470PF K		C428			CK73HB1H471K	CHIP C 470PF K	
C234			CK73HB1A104K	CHIP C 0.10UF K		C429		*	CK73GB1E105K	CHIP C 1.0UF K	
C235,236			CK73HB1C103K	CHIP C 0.010UF K		C431			CK73HB1H471K	CHIP C 470PF K	
C237			CK73HB1H471K	CHIP C 470PF K		C432		*	C92-0825-05	CHIP-TAN 10UF 10WV	
C238			CC73HCH1H060D	CHIP C 6.0PF D		C433			CK73HB1H471K	CHIP C 470PF K	
C239			CC73HCH1H090B	CHIP C 9.0PF B		C434			CC73HCH1H101J	CHIP C 100PF J	
C240			CC73HCH1H020B	CHIP C 2.0PF B		C435			CK73GB1A224K	CHIP C 0.22UF K	
C241			CC73HCH1H100C	CHIP C 10PF C		C436			CK73GB1H103K	CHIP C 0.010UF K	
C242			CK73HB1H471K	CHIP C 470PF K		C437			CC73HCH1H101J	CHIP C 100PF J	
C243			CK73HB1C103K	CHIP C 0.010UF K		C441		*	CK73GB1E105K	CHIP C 1.0UF K	
C244			CC73HCH1H020B	CHIP C 2.0PF B		C442			CK73GB1A224K	CHIP C 0.22UF K	
C245			CK73HB1H471K	CHIP C 470PF K		C443		*	CK73GB1E105K	CHIP C 1.0UF K	
C246			CC73HCH1H100C	CHIP C 10PF C		C445			CC73HCH1H470J	CHIP C 47PF J	
C247			CC73HCH1H040B	CHIP C 4.0PF B		C446			CK73HB1H471K	CHIP C 470PF K	
C248			CK73HB1H471K	CHIP C 470PF K		C447			CK73HB1E472K	CHIP C 4700PF K	
C250			CK73HB1H471K	CHIP C 470PF K		C450,451			CK73GBOJ475K	CHIP C 4.7UF K	
C251			CC73HCH1H3R5B	CHIP C 3.5PF B		C500			C92-0712-05	CHIP-TAN 22UF 6.3WV	
C252			CC73HCH1H330J	CHIP C 33PF J		C502			C92-0712-05	CHIP-TAN 22UF 6.3WV	
C253			CK73HB1H471K	CHIP C 470PF K		C503			CK73GB1E105K	CHIP C 1.0UF K	
C255			CC73GCH1HR75B	CHIP C 0.75PF B		C505-508			CK73GB1E105K	CHIP C 1.0UF K	
C256			CC73GCH1H3R5B	CHIP C 3.5PF B		C509			CC73HCH1H270J	CHIP C 27PF J	
C257			CC73HCH1H330J	CHIP C 33PF J		C510			CC73HCH1H040C	CHIP C 4.0PF C	
C258			CK73HB1H471K	CHIP C 470PF K		C511			CC73HCH1H270J	CHIP C 27PF J	
C260			CC73GCH1H010B	CHIP C 1.0PF B		C512			CK73HB1C103K	CHIP C 0.010UF K	

PARTS LIST

TX-RX UNIT (X57-6940-10)

Ref. No.	Address	New parts	Parts No.	Description	Desti-nation	Ref. No.	Address	New parts	Parts No.	Description	Desti-nation
C514			CK73HB1C103K	CHIP C 0.010UF K		C678			CK73GB1C104K	CHIP C 0.10UF K	
C515			CC73HCH1H150G	CHIP C 15PF G		C679,680			CK73HB1A104K	CHIP C 0.10UF K	
C516			CK73HB1C103K	CHIP C 0.010UF K		C681			CK73HB1H102K	CHIP C 1000PF K	
C517			CK73HB1A104K	CHIP C 0.10UF K		C682			CK73HB1C153K	CHIP C 0.015UF K	
C518		*	CK73HB0J105K	CHIP C 1.0UF K		C683			CK73HB1C123K	CHIP C 0.012UF K	
C600			CK73HB1A104K	CHIP C 0.10UF K		C684			CK73HB1H102K	CHIP C 1000PF K	
C601			CC73HCH1H220J	CHIP C 22PF J		C685			CK73HB1A104K	CHIP C 0.10UF K	
C602			CK73HB1A104K	CHIP C 0.10UF K		C686			CK73HB1A683K	CHIP C 0.068UF K	
C603			CK73HB1E472K	CHIP C 4700PF K		C687			C92-0713-05	CHIP-TAN 10UF 6.3WV	
C604,605			CC73HCH1H680J	CHIP C 68PF J		C688			CK73GB1A474K	CHIP C 0.47UF K	
C608			CK73HB1A104K	CHIP C 0.10UF K		C689			CK73HB1C103K	CHIP C 0.010UF K	
C609,610			CK73HB1C103K	CHIP C 0.010UF K		C690			CC73HCH1H470J	CHIP C 47PF J	
C611			CC73HCH1H101J	CHIP C 100PF J		C691			CK73GB1A474K	CHIP C 0.47UF K	
C612,613			CK73HB1A104K	CHIP C 0.10UF K		C692			CC73HCH1H470J	CHIP C 47PF J	
C614			CK73HB1H471K	CHIP C 470PF K		C693			CK73GB1A474K	CHIP C 0.47UF K	
C615			CC73HCH1H101J	CHIP C 100PF J		C694			CK73HB1H152K	CHIP C 1500PF K	
C616			CK73HB1H471K	CHIP C 470PF K		C695			CK73HB1A104K	CHIP C 0.10UF K	
C617			C92-0656-05	CHIP-TAN 2.2UF 6.3WV		C696			CK73HB1C103K	CHIP C 0.010UF K	
C618			C92-0713-05	CHIP-TAN 10UF 6.3WV		C697,698			CK73HB1A104K	CHIP C 0.10UF K	
C619			CK73HB1H561K	CHIP C 560PF K		C699		*	C92-0816-05	CHIP-TAN 10UF 16WV	
C620			CK73HB1A104K	CHIP C 0.10UF K		C700			CC73HCH1H470J	CHIP C 47PF J	
C621			CK73HB1C103K	CHIP C 0.010UF K		C702-710			CC73HCH1H470J	CHIP C 47PF J	
C622			CK73HB1E562K	CHIP C 5600PF K		C711-714			CK73HB1H102K	CHIP C 1000PF K	
C625			CK73HB1A104K	CHIP C 0.10UF K		C715-717			CK73HB1A104K	CHIP C 0.10UF K	
C627			CK73HB1C103K	CHIP C 0.010UF K		C718			CC73HCH1H180J	CHIP C 18PF J	
C628			CK73HB1A104K	CHIP C 0.10UF K		C719			CC73HCH1H220J	CHIP C 22PF J	
C630			CK73HB1H271K	CHIP C 270PF K		C720			CK73HB1H471K	CHIP C 470PF K	
C631			CK73HB1A104K	CHIP C 0.10UF K		C721			CK73HB1H102K	CHIP C 1000PF K	
C632			CK73GB1E105K	CHIP C 1.0UF K		C725			CK73HB1H392K	CHIP C 3900PF K	
C633			CK73HB1C103K	CHIP C 0.010UF K		C727			CK73HB1A104K	CHIP C 0.10UF K	
C635			CC73HCH1H101J	CHIP C 100PF J		C728		*	CK73HB0J105K	CHIP C 1.0UF K	
C636			CK73HB1A104K	CHIP C 0.10UF K		C729			CK73HB1H271K	CHIP C 270PF K	
C638			CK73HB1H102K	CHIP C 1000PF K		C730			CK73HB1H332K	CHIP C 3300PF K	
C640,641			CK73GB0J475K	CHIP C 4.7UF K		C732			CK73HB1H471K	CHIP C 470PF K	
C642			CK73HB1A473K	CHIP C 0.047UF K		C734			CC73HCH1H220J	CHIP C 22PF J	
C644			CK73HB1C123K	CHIP C 0.012UF K		C736			CC73HCH1H470J	CHIP C 47PF J	
C645			CK73HB1A104K	CHIP C 0.10UF K		C737			CK73GB0J475K	CHIP C 4.7UF K	
C646			CK73GB0J475K	CHIP C 4.7UF K		C738			CK73HB1H331K	CHIP C 330PF K	
C647			CK73HB1C123K	CHIP C 0.012UF K		C739-751			CC73HCH1H470J	CHIP C 47PF J	
C648			CK73HB1H102K	CHIP C 1000PF K		C752,753			CC73HCH1H050B	CHIP C 5.0PF B	
C650,651			CK73HB1A104K	CHIP C 0.10UF K		C754			CK73HB1A104K	CHIP C 0.10UF K	
C652			CC73HCH1H680J	CHIP C 68PF J		C755			CK73HB1E472K	CHIP C 4700PF K	
C653-655			CK73HB1A104K	CHIP C 0.10UF K		C756			CK73HB1A104K	CHIP C 0.10UF K	
C656		*	CK73HB0J224K	CHIP C 0.22UF K		C757			CK73HB1E472K	CHIP C 4700PF K	
C657			CC73HCH1H330J	CHIP C 33PF J		C759			CK73HB1C123K	CHIP C 0.012UF K	
C658			CK73HB1A104K	CHIP C 0.10UF K		C763			CK73HB1H471K	CHIP C 470PF K	
C659,660			CK73GB1C104K	CHIP C 0.10UF K		TC1,2			C05-0384-05	CERAMIC TRIMMER CAP (10PF)	
C661			CK73HB1A104K	CHIP C 0.10UF K		CN400			E40-5823-05	FLAT CABLE CONNECTOR	
C662			CK73HB1H102K	CHIP C 1000PF K		CN500			E40-6413-05	FLAT CABLE CONNECTOR	
C663		*	CK73HB0J105K	CHIP C 1.0UF K		CN502,503		*	E23-0342-05	TEST TERMINAL	
C665			CK73GB1E223K	CHIP C 0.022UF K		CN600			E40-6389-05	PIN ASSY	
C666			CK73HB1A104K	CHIP C 0.10UF K		CN602			E40-5856-05	FLAT CABLE CONNECTOR	
C667			CC73HCH1H470J	CHIP C 47PF J		CN603		*	E23-1263-05	TERMINAL	
C668			CC73HCH1H120J	CHIP C 12PF J		F400			F53-0190-05	FUSE	
C669			CK73HB1H102K	CHIP C 1000PF K		F601,602		*	F53-0315-05	FUSE	
C670			CK73HB1A104K	CHIP C 0.10UF K		CN501			J19-5386-05	HOLDER	
C672			CK73HB1H102K	CHIP C 1000PF K		CD200			L79-1072-05	TUNING COIL	
C673-675			CK73HB1A104K	CHIP C 0.10UF K							
C676			CC73HCH1H470J	CHIP C 47PF J							
C677			CK73HB1H222K	CHIP C 2200PF K							

PARTS LIST

TX-RX UNIT (X57-6940-10)

Ref. No.	Address	New parts	Parts No.	Description	Destination	Ref. No.	Address	New parts	Parts No.	Description	Destination
CF200		*	L72-1013-05	CERAMIC FILTER		XF200		*	L71-0622-05	MCF (59.85MHZ)	
CF201		*	L72-1014-05	CERAMIC FILTER							
L1			L40-4795-85	SMALL FIXED INDUCTOR (4.7UH)		CP400,401			RK75HA1J473J	CHIP-COM 47K J 1/16W	
L2			L41-2767-31	SMALL FIXED INDUCTOR		CP500-510			RK75HA1J102J	CHIP-COM 1.0K J 1/16W	
L3			L41-3367-31	SMALL FIXED INDUCTOR		CP511		*	RK75HA1J331J	CHIP-COM 330 J 1/16W	
						CP512-515			RK75HA1J102J	CHIP-COM 1.0K J 1/16W	
L4			L41-1878-31	SMALL FIXED INDUCTOR		CP516			RK75HA1J103J	CHIP-COM 10K J 1/16W	
L6			L41-1878-31	SMALL FIXED INDUCTOR							
L8			L40-1075-92	SMALL FIXED INDUCTOR (10NH)		CP517			RK75HA1J102J	CHIP-COM 1.0K J 1/16W	
L9			L92-0138-05	FERRITE CHIP		CP518			RK75HA1J473J	CHIP-COM 47K J 1/16W	
L10			L40-1891-86	SMALL FIXED INDUCTOR (1.8UH)		CP519			RK75HA1J103J	CHIP-COM 10K J 1/16W	
						CP521			RK75HA1J102J	CHIP-COM 1.0K J 1/16W	
L11			L40-3391-86	SMALL FIXED INDUCTOR (3.3UH)		CP522			RK75HA1J101J	CHIP-COM 100 J 1/16W	
L12			L92-0163-05	BEADS CORE							
L13			L40-1891-86	SMALL FIXED INDUCTOR (1.8UH)		CP600			RK75HA1J473J	CHIP-COM 47K J 1/16W	
L14			L40-3391-86	SMALL FIXED INDUCTOR (3.3UH)		CP601-603			RK75HA1J102J	CHIP-COM 1.0K J 1/16W	
L17			L40-1578-67	SMALL FIXED INDUCTOR (15NH)		CP604,605		*	RK75HA1J331J	CHIP-COM 330 J 1/16W	
						CP606			RK75HA1J102J	CHIP-COM 1.0K J 1/16W	
L18			L40-2278-67	SMALL FIXED INDUCTOR (22NH)		CP607,608		*	RK75HA1J101J	CHIP-COM 100 J 1/16W	
L19,20			L40-2785-92	SMALL FIXED INDUCTOR (270NH)							
L21,22			L40-3391-86	SMALL FIXED INDUCTOR (3.3UH)		R2			RK73HB1J101J	CHIP R 100 J 1/16W	
L23			L92-0163-05	BEADS CORE		R3			R92-1368-05	CHIP R 0 OHM	
L24,25			L40-2275-92	SMALL FIXED INDUCTOR (22NH)		R4			RK73HB1J100J	CHIP R 10 J 1/16W	
						R5			RK73HB1J103J	CHIP R 10K J 1/16W	
L27			L40-1075-92	SMALL FIXED INDUCTOR (10NH)		R6,7			RK73HB1J223J	CHIP R 22K J 1/16W	
L100,101			L40-1875-92	SMALL FIXED INDUCTOR (18NH)							
L102			L92-0138-05	FERRITE CHIP		R8-10			RK73HB1J100J	CHIP R 10 J 1/16W	
L103			L40-1275-92	SMALL FIXED INDUCTOR (12NH)		R11			RK73HB1J102J	CHIP R 1.0K J 1/16W	
L104			L40-1575-54	SMALL FIXED INDUCTOR (15NH)		R12			RK73HB1J272J	CHIP R 2.7K J 1/16W	
						R13			RK73HB1J154J	CHIP R 150K J 1/16W	
L105			L92-0149-05	FERRITE CHIP		R14,15			RK73HB1J100J	CHIP R 10 J 1/16W	
L106			L40-2275-92	SMALL FIXED INDUCTOR (22NH)							
L107			L34-4566-05	AIR-CORE COIL		R16			RK73HB1J821J	CHIP R 820 J 1/16W	
L108			L92-0149-05	FERRITE CHIP		R17,18			RK73HB1J271J	CHIP R 270 J 1/16W	
L109			L40-2285-54	SMALL FIXED INDUCTOR (220NH)		R19,20			RK73HB1J223J	CHIP R 22K J 1/16W	
						R21			RK73HB1J681J	CHIP R 680 J 1/16W	
L110			L34-4572-05	AIR-CORE COIL		R22			RK73HB1J103J	CHIP R 10K J 1/16W	
L111-113			L34-4564-05	AIR-CORE COIL							
L200			L92-0141-05	FERRITE CHIP		R23,24			RK73HB1J472J	CHIP R 4.7K J 1/16W	
L201			L40-1091-86	SMALL FIXED INDUCTOR (1.0UH)		R29			RK73HB1J184J	CHIP R 180K J 1/16W	
L202			L40-1591-86	SMALL FIXED INDUCTOR (1.5UH)		R30,31			RK73HB1J473J	CHIP R 47K J 1/16W	
						R32			RK73HB1J100J	CHIP R 10 J 1/16W	
L203			L92-0138-05	FERRITE CHIP		R33			RK73HB1J181J	CHIP R 180 J 1/16W	
L204			L40-2785-85	SMALL FIXED INDUCTOR (0.27UH)							
L206,207			L40-1875-92	SMALL FIXED INDUCTOR (18NH)		R34			RK73HB1J151J	CHIP R 150 J 1/16W	
L208			L40-2275-92	SMALL FIXED INDUCTOR (22NH)		R35			RK73HB1J100J	CHIP R 10 J 1/16W	
L210-212			L41-8268-14	SMALL FIXED INDUCTOR		R36			RK73HB1J154J	CHIP R 150K J 1/16W	
						R37			RK73HB1J472J	CHIP R 4.7K J 1/16W	
L213			L92-0138-05	FERRITE CHIP		R38			RK73HB1J101J	CHIP R 100 J 1/16W	
L214			L41-2285-03	SMALL FIXED INDUCTOR							
L215,216			L41-8268-14	SMALL FIXED INDUCTOR		R39			RK73HB1J472J	CHIP R 4.7K J 1/16W	
L217			L41-3378-03	SMALL FIXED INDUCTOR		R40			RK73HB1J682J	CHIP R 6.8K J 1/16W	
L218			L40-8625-92	SMALL FIXED INDUCTOR (8.2NH)		R41			RK73HB1J103J	CHIP R 10K J 1/16W	
						R42			RK73HB1J331J	CHIP R 330 J 1/16W	
L220			L40-5685-85	SMALL FIXED INDUCTOR (0.56UH)		R43			RK73HB1J222J	CHIP R 2.2K J 1/16W	
L400			L92-0149-05	FERRITE CHIP							
L500-503			L92-0163-05	BEADS CORE		R44			RK73HB1J470J	CHIP R 47 J 1/16W	
L600			L92-0163-05	BEADS CORE		R45			R92-1368-05	CHIP R 0 OHM	
L601		*	L92-0419-15	FERRITE CHIP		R46			RK73HB1J472J	CHIP R 4.7K J 1/16W	
						R47			RK73HB1J474J	CHIP R 470K J 1/16W	
L602-607			L92-0163-05	BEADS CORE		R51			R92-1368-05	CHIP R 0 OHM	
L608,609			L92-0467-05	FERRITE CHIP							
L610,611			L92-0408-05	FERRITE CHIP		R53			R92-1368-05	CHIP R 0 OHM	
L612			L92-0163-05	BEADS CORE		R100			RK73HB1J333D	CHIP R 33K D 1/16W	
L615			L92-0163-05	BEADS CORE		R101			RK73HB1J472J	CHIP R 4.7K J 1/16W	
						R102			RK73HB1J223J	CHIP R 22K J 1/16W	
X1		*	L77-1952-05	TCXO (16.8MHZ)		R103			RK73HB1J822J	CHIP R 8.2K J 1/16W	
X200		*	L77-1957-05	CRYSTAL RESONATOR (59.395MHZ)							
X500		*	L77-1958-05	CRYSTAL RESONATOR (11.0592MHZ)		R104			RK73HB1J473J	CHIP R 47K J 1/16W	
X501		*	L77-1802-05	CRYSTAL RESONATOR (32768HZ)		R105			RK73HB1J100J	CHIP R 10 J 1/16W	
X600		*	L77-1965-05	CRYSTAL RESONATOR (3.6864MHZ)		R106			RK73HB1J331J	CHIP R 330 J 1/16W	

PARTS LIST

TX-RX UNIT (X57-6940-10)

Ref. No.	Address	New parts	Parts No.	Description	Desti-nation	Ref. No.	Address	New parts	Parts No.	Description	Desti-nation
R107			RK73HB1J220J	CHIP R 22 J 1/16W		R226			RK73HB1J562J	CHIP R 5.6K J 1/16W	
R108			RK73HB1J331J	CHIP R 330 J 1/16W		R227			R92-1368-05	CHIP R 0 OHM	
R109			RK73HB1J180J	CHIP R 18 J 1/16W		R228			RK73HB1J221J	CHIP R 220 J 1/16W	
R110			RK73HB1J331J	CHIP R 330 J 1/16W		R230			RK73HB1J564J	CHIP R 560K J 1/16W	
R111			RK73HB1J101J	CHIP R 100 J 1/16W		R231			RK73HB1J121J	CHIP R 120 J 1/16W	
R112			RK73HB1J103J	CHIP R 10K J 1/16W		R232			RK73HB1J221J	CHIP R 220 J 1/16W	
R113			RK73HB1J822J	CHIP R 8.2K J 1/16W		R233			RK73HB1J472J	CHIP R 4.7K J 1/16W	
R115			RK73HB1J331J	CHIP R 330 J 1/16W		R234			RK73HB1J470J	CHIP R 47 J 1/16W	
R116			RK73HB1J103J	CHIP R 10K J 1/16W		R236			RK73HB1J681J	CHIP R 680 J 1/16W	
R117			RK73HB1J473J	CHIP R 47K J 1/16W		R237			RK73HB1J151J	CHIP R 150 J 1/16W	
R119			RK73HB1J470J	CHIP R 47 J 1/16W		R239			RK73HB1J104J	CHIP R 100K J 1/16W	
R120			R92-1368-05	CHIP R 0 OHM		R240			RK73HB1J154J	CHIP R 150K J 1/16W	
R122			RK73HB1J271J	CHIP R 270 J 1/16W		R241			RK73HB1J104J	CHIP R 100K J 1/16W	
R123			RK73HB1J561J	CHIP R 560 J 1/16W		R242			RK73HB1J184J	CHIP R 180K J 1/16W	
R124			R92-1368-05	CHIP R 0 OHM		R243			R92-1252-05	CHIP R 0 OHM J 1/16W	
R125			RK73EB2ER39K	CHIP R 0.39 K 1/4W		R244-246			RK73HB1J105J	CHIP R 1.0M J 1/16W	
R126			RK73HB1J470J	CHIP R 47 J 1/16W		R248			RK73HB1J680J	CHIP R 68 J 1/16W	
R127			RK73EB2ER39K	CHIP R 0.39 K 1/4W		R249			RK73HB1J221J	CHIP R 220 J 1/16W	
R128			RK73HH1J104D	CHIP R 100K D 1/16W		R251			RK73HB1J104J	CHIP R 100K J 1/16W	
R130			RK73EB2ER39K	CHIP R 0.39 K 1/4W		R253			RK73HB1J104J	CHIP R 100K J 1/16W	
R132,133			RK73HH1J154D	CHIP R 150K D 1/16W		R254			RK73HB1J683J	CHIP R 68K J 1/16W	
R134			R92-1368-05	CHIP R 0 OHM		R255			RK73HB1J104J	CHIP R 100K J 1/16W	
R135			RK73HB1J102J	CHIP R 1.0K J 1/16W		R256-258			RK73HB1J105J	CHIP R 1.0M J 1/16W	
R137-140			RK73HH1J154D	CHIP R 150K D 1/16W		R400			R92-1368-05	CHIP R 0 OHM	
R141			RK73HB1J103J	CHIP R 10K J 1/16W		R402			RK73HB1J821J	CHIP R 820 J 1/16W	
R142			RK73HB1J473J	CHIP R 47K J 1/16W		R403			RK73HB1J561J	CHIP R 560 J 1/16W	
R143			R92-1368-05	CHIP R 0 OHM		R404			RK73HB1J103J	CHIP R 10K J 1/16W	
R144			RK73HB1J105J	CHIP R 1.0M J 1/16W		R405			RK73HB1J104J	CHIP R 100K J 1/16W	
R145			RK73HB1J102J	CHIP R 1.0K J 1/16W		R406			RK73HB1J224J	CHIP R 220K J 1/16W	
R146,147			RK73HB1J104J	CHIP R 100K J 1/16W		R407			RK73HB1J684J	CHIP R 680K J 1/16W	
R148,149			RK73HB1J271J	CHIP R 270 J 1/16W		R408,409			RK73HB1J474J	CHIP R 470K J 1/16W	
R150			R92-0670-05	CHIP R 0 OHM		R410			RK73HB1J103J	CHIP R 10K J 1/16W	
R152			R92-1368-05	CHIP R 0 OHM		R411,412			RK73HH1J474D	CHIP R 470K D 1/16W	
R153			RK73HB1J393J	CHIP R 39K J 1/16W		R414			RK73HB1J103J	CHIP R 10K J 1/16W	
R154			R92-1368-05	CHIP R 0 OHM		R415			RK73HB1J153J	CHIP R 15K J 1/16W	
R155			RK73EB2E823J	CHIP R 82K J 1/4W		R416			R92-1368-05	CHIP R 0 OHM	
R157,158			R92-1368-05	CHIP R 0 OHM		R417			RK73HB1J684J	CHIP R 680K J 1/16W	
R200			RK73HB1J824J	CHIP R 820K J 1/16W		R418			RK73HB1J474J	CHIP R 470K J 1/16W	
R202			RK73HB1J224J	CHIP R 220K J 1/16W		R419			RK73HB1J105J	CHIP R 1.0M J 1/16W	
R203			RK73HB1J683J	CHIP R 68K J 1/16W		R421			RK73HB1J102J	CHIP R 1.0K J 1/16W	
R204			RK73HB1J104J	CHIP R 100K J 1/16W		R422			RK73HB1J472J	CHIP R 4.7K J 1/16W	
R205			RK73HB1J472J	CHIP R 4.7K J 1/16W		R423,424			RK73HB1J103J	CHIP R 10K J 1/16W	
R206			RK73HB1J152J	CHIP R 1.5K J 1/16W		R425-427			RK73HB1J473J	CHIP R 47K J 1/16W	
R207			R92-1368-05	CHIP R 0 OHM		R428			RK73HB1J124J	CHIP R 120K J 1/16W	
R208,209			RK73HB1J223J	CHIP R 22K J 1/16W		R430			RK73HB1J103J	CHIP R 10K J 1/16W	
R210			RK73HB1J332J	CHIP R 3.3K J 1/16W		R500			R92-1368-05	CHIP R 0 OHM	
R211,212			RK73HB1J223J	CHIP R 22K J 1/16W		R504			R92-1368-05	CHIP R 0 OHM	
R213			RK73HB1J471J	CHIP R 470 J 1/16W		R505,506			RK73HB1J473J	CHIP R 47K J 1/16W	
R214			RK73HB1J334J	CHIP R 330K J 1/16W		R507			RK73HB1J474J	CHIP R 470K J 1/16W	
R215			RK73HB1J472J	CHIP R 4.7K J 1/16W		R508-510			RK73HB1J473J	CHIP R 47K J 1/16W	
R216			RK73HB1J392J	CHIP R 3.9K J 1/16W		R511			R92-1368-05	CHIP R 0 OHM	
R217			RK73HB1J184J	CHIP R 180K J 1/16W		R512			RK73HB1J473J	CHIP R 47K J 1/16W	
R218			RK73HB1J822J	CHIP R 8.2K J 1/16W		R513			RK73HB1J102J	CHIP R 1.0K J 1/16W	
R219			RK73GB1J153J	CHIP R 15K J 1/16W		R514			RK73HB1J472J	CHIP R 4.7K J 1/16W	
R220			RK73HB1J334J	CHIP R 330K J 1/16W		R515			RK73HB1J473J	CHIP R 47K J 1/16W	
R221			RK73GB1J332J	CHIP R 3.3K J 1/16W		R516,517			RK73HB1J102J	CHIP R 1.0K J 1/16W	
R222			RK73HB1J272J	CHIP R 2.7K J 1/16W		R518			RK73HB1J103J	CHIP R 10K J 1/16W	
R223			RK73HB1J474J	CHIP R 470K J 1/16W		R519			RK73HB1J474J	CHIP R 470K J 1/16W	
R224			RK73HB1J392J	CHIP R 3.9K J 1/16W		R520			RK73HB1J103J	CHIP R 10K J 1/16W	
R225			RK73HB1J100J	CHIP R 10 J 1/16W		R521			RK73HH1J272D	CHIP R 2.7K D 1/16W	

PARTS LIST

TX-RX UNIT (X57-6940-10)

Ref. No.	Address	New parts	Parts No.	Description	Destination	Ref. No.	Address	New parts	Parts No.	Description	Destination
R522		*	RK73HB1J512D	CHIP R 5.1K D 1/16W		R676			RK73HB1J274J	CHIP R 270K J 1/16W	
R523,524			R92-1368-05	CHIP R 0 OHM		R677			RK73HB1J223J	CHIP R 22K J 1/16W	
R525			RK73HB1J102J	CHIP R 1.0K J 1/16W		R679			R92-1368-05	CHIP R 0 OHM	
R526			R92-1252-05	CHIP R 0 OHM J 1/16W		R680			RK73HB1J274J	CHIP R 270K J 1/16W	
R527			RK73HB1J473J	CHIP R 47K J 1/16W		R681			RK73HB1J102J	CHIP R 1.0K J 1/16W	
R528			RK73HB1J474J	CHIP R 470K J 1/16W		R682			RK73HB1J272J	CHIP R 2.7K J 1/16W	
R600			RK73HB1J684J	CHIP R 680K J 1/16W		R683			RK73HB1J154J	CHIP R 150K J 1/16W	
R601			RK73HB1J394J	CHIP R 390K J 1/16W		R684			R92-1252-05	CHIP R 0 OHM J 1/16W	
R603			R92-1368-05	CHIP R 0 OHM		R685			RK73HB1J472J	CHIP R 4.7K J 1/16W	
R604			RK73HB1J184J	CHIP R 180K J 1/16W		R686			RK73HB1J824J	CHIP R 820K J 1/16W	
R605			RK73HB1J393J	CHIP R 39K J 1/16W		R687			RK73HB1J105J	CHIP R 1.0M J 1/16W	
R606			RK73HB1J184J	CHIP R 180K J 1/16W		R688			RK73HB1J273J	CHIP R 27K J 1/16W	
R607			RK73HB1J223J	CHIP R 22K J 1/16W		R689,690			R92-1368-05	CHIP R 0 OHM	
R609			RK73HB1J104J	CHIP R 100K J 1/16W		R691			RK73HB1J103J	CHIP R 10K J 1/16W	
R612			RK73HB1J103J	CHIP R 10K J 1/16W		R692			RK73HB1J823J	CHIP R 82K J 1/16W	
R613			RK73HB1J104J	CHIP R 100K J 1/16W		R693			RK73HB1J472J	CHIP R 4.7K J 1/16W	
R614			RK73HB1J683J	CHIP R 68K J 1/16W		R694			RK73HB1J104J	CHIP R 100K J 1/16W	
R615			RK73HB1J473J	CHIP R 47K J 1/16W		R695			RK73HB1J103J	CHIP R 10K J 1/16W	
R616			RK73HB1J104J	CHIP R 100K J 1/16W		R696			RK73HB1J184J	CHIP R 180K J 1/16W	
R617			RK73HB1J683J	CHIP R 68K J 1/16W		R697			RK73HB1J474J	CHIP R 470K J 1/16W	
R618			R92-1368-05	CHIP R 0 OHM		R698			RK73HB1J105J	CHIP R 1.0M J 1/16W	
R619			RK73HB1J184J	CHIP R 180K J 1/16W		R699			RK73HB1J334J	CHIP R 330K J 1/16W	
R623			RK73HB1J104J	CHIP R 100K J 1/16W		R700			RK73HB1J184J	CHIP R 180K J 1/16W	
R624			R92-1368-05	CHIP R 0 OHM		R701			RK73HB1J223J	CHIP R 22K J 1/16W	
R625			RK73HB1J472J	CHIP R 4.7K J 1/16W		R702,703			RK73HB1J473J	CHIP R 47K J 1/16W	
R626			RK73HB1J184J	CHIP R 180K J 1/16W		R704			RK73HB1J471J	CHIP R 470 J 1/16W	
R627			RK73HB1J684J	CHIP R 680K J 1/16W		R705,706			RK73HB1J153J	CHIP R 15K J 1/16W	
R628,629			R92-1368-05	CHIP R 0 OHM		R707			RK73HB1J182J	CHIP R 1.8K J 1/16W	
R631			RK73HB1J474J	CHIP R 470K J 1/16W		R708			RK73HB1J102J	CHIP R 1.0K J 1/16W	
R633			RK73HB1J105J	CHIP R 1.0M J 1/16W		R709			RK73HB1J104J	CHIP R 100K J 1/16W	
R635,636			RK73HB1J472J	CHIP R 4.7K J 1/16W		R710			RK73HB1J102J	CHIP R 1.0K J 1/16W	
R637			RK73HB1J332J	CHIP R 3.3K J 1/16W		R711			RK73HB1J473J	CHIP R 47K J 1/16W	
R638			RK73HB1J103J	CHIP R 10K J 1/16W		R712			RK73HB1J104J	CHIP R 100K J 1/16W	
R641			RK73HB1J273J	CHIP R 27K J 1/16W		R713			RK73HB1J102J	CHIP R 1.0K J 1/16W	
R642			RK73HB1J472J	CHIP R 4.7K J 1/16W		R714			RK73HB1J104J	CHIP R 100K J 1/16W	
R643			RK73HB1J104J	CHIP R 100K J 1/16W		R715			RK73HB1J272J	CHIP R 2.7K J 1/16W	
R644			RK73HB1J103J	CHIP R 10K J 1/16W		R716			RK73HB1J104J	CHIP R 100K J 1/16W	
R645			RK73HB1J472J	CHIP R 4.7K J 1/16W		R717-720			RK73HB1J101J	CHIP R 100 J 1/16W	
R648			RK73HB1J104J	CHIP R 100K J 1/16W		R721			RK73HB1J103J	CHIP R 10K J 1/16W	
R650			RK73HB1J472J	CHIP R 4.7K J 1/16W		R722			RK73HB1J474J	CHIP R 470K J 1/16W	
R652			RK73HB1J103J	CHIP R 10K J 1/16W		R723			RK73HB1J470J	CHIP R 47 J 1/16W	
R654			RK73HB1J683J	CHIP R 68K J 1/16W		R724			RK73HB1J102J	CHIP R 1.0K J 1/16W	
R655			RK73HB1J682J	CHIP R 6.8K J 1/16W		R725,726			RK73HB1J331J	CHIP R 330 J 1/16W	
R656			RK73HB1J563J	CHIP R 56K J 1/16W		R728-734			RK73HB1J102J	CHIP R 1.0K J 1/16W	
R657			RK73HB1J564J	CHIP R 560K J 1/16W		R735			RK73HB1J473J	CHIP R 47K J 1/16W	
R658			RK73HB1J473J	CHIP R 47K J 1/16W		R736,737			RK73HB1J472J	CHIP R 4.7K J 1/16W	
R659			R92-1252-05	CHIP R 0 OHM J 1/16W		R738			RK73HB1J124J	CHIP R 120K J 1/16W	
R660			R92-1368-05	CHIP R 0 OHM		R739			RK73HB1J184J	CHIP R 180K J 1/16W	
R661			RK73HB1J334J	CHIP R 330K J 1/16W		R740,741			RK73HB1J123J	CHIP R 12K J 1/16W	
R663			RK73HB1J103J	CHIP R 10K J 1/16W		R742			RK73HB1J822J	CHIP R 8.2K J 1/16W	
R664			RK73HB1J124J	CHIP R 120K J 1/16W		R744			RK73HB1J472J	CHIP R 4.7K J 1/16W	
R666			RK73HB1J105J	CHIP R 1.0M J 1/16W		R745			RK73HB1J823J	CHIP R 82K J 1/16W	
R667			RK73HB1J394J	CHIP R 390K J 1/16W		R747			R92-1368-05	CHIP R 0 OHM	
R668			RK73HB1J154J	CHIP R 150K J 1/16W		R748			RK73HB1J104J	CHIP R 100K J 1/16W	
R669			RK73HB1J124J	CHIP R 120K J 1/16W		R750			RK73HB1J823J	CHIP R 82K J 1/16W	
R670			R92-1252-05	CHIP R 0 OHM J 1/16W		R752			R92-1368-05	CHIP R 0 OHM	
R671			RK73HB1J104J	CHIP R 100K J 1/16W		R753			RK73HB1J103J	CHIP R 10K J 1/16W	
R672			RK73HB1J224J	CHIP R 220K J 1/16W		R754			RK73HB1J472J	CHIP R 4.7K J 1/16W	
R673,674			R92-1368-05	CHIP R 0 OHM		R755			R92-1252-05	CHIP R 0 OHM J 1/16W	
R675			RK73HB1J105J	CHIP R 1.0M J 1/16W		R758			RK73HB1J473J	CHIP R 47K J 1/16W	

PARTS LIST

TX-RX UNIT (X57-6940-10)

Ref. No.	Address	New parts	Parts No.	Description	Destination	Ref. No.	Address	New parts	Parts No.	Description	Destination
R760			RK73HB1J104J	CHIP R 100K J 1/16W		D607			015AZ2.4-X	ZENER DIODE	
R761			RK73HB1J222J	CHIP R 2.2K J 1/16W		D608			015AZ6.8	ZENER DIODE	
R762			RK73HB1J472J	CHIP R 4.7K J 1/16W		D609,610			DA221	DIODE	
R764,765			R92-1252-05	CHIP R 0 OHM J 1/16W		D611			NNCD6.8G	ZENER DIODE	
R766			RK73HB1J222J	CHIP R 2.2K J 1/16W		D612			015AZ6.8	ZENER DIODE	
R767			RK73HB1J474J	CHIP R 470K J 1/16W		D613			DA221	DIODE	
R768			RK73HB1J101J	CHIP R 100 J 1/16W		D614			DAN222	DIODE	
R769-771			RK73HB1J102J	CHIP R 1.0K J 1/16W		IC1			ADF4111BCP7	MOS IC	
R772			R92-1368-05	CHIP R 0 OHM		IC100			TA75W01FU	MOS IC	
R773			RK73HB1J823J	CHIP R 82K J 1/16W		IC200			TA31136FN	MOS IC	
R775			RK73HB1J563J	CHIP R 56K J 1/16W		IC400		*	XC61CC5602NR	MOS IC	
R776			RK73HB1J473J	CHIP R 47K J 1/16W		IC401			TK11250CUCB	MOS IC	
R777			RK73HB1J100J	CHIP R 10 J 1/16W		IC402,403			XC6204B502MR	MOS IC	
R780			RK73HB1J103J	CHIP R 10K J 1/16W		IC404			TC75S51FE	MOS IC	
R781,782			R92-1368-05	CHIP R 0 OHM		IC405			S-80942CNNBG9C	MOS IC	
R783			RK73HB1J683J	CHIP R 68K J 1/16W		IC406			TK11250CUCB	MOS IC	
R784			RK73HB1J473J	CHIP R 47K J 1/16W		IC500			AT29C040A-90TI	ROM IC	
R785			RK73HH1J123D	CHIP R 12K D 1/16W		IC502			30625MGP-169GP	MPU	
R786		*	RK73HH1J562D	CHIP R 5.6K D 1/16W		IC503			RV5C386A	MOS IC	
R787			RK73HH1J103D	CHIP R 10K D 1/16W		IC504			AT24256N10SI27	ROM IC	
R788			RK73HB1J473J	CHIP R 47K J 1/16W		IC505		*	TC7W53FK	HYBRID IC	
R790			R92-1368-05	CHIP R 0 OHM		IC600-604			TC75W51FK	MOS IC	
R792			RK73HB1J223J	CHIP R 22K J 1/16W		IC605			M62364FP	MOS IC	
R794			R92-1368-05	CHIP R 0 OHM		IC606		*	TC7W53FK	HYBRID IC	
R796			R92-1252-05	CHIP R 0 OHM J 1/16W		IC607			AQUA-L	MOS IC	
S400			S70-0483-05	TACT SWITCH		IC608			TC75W51FK	MOS IC	
D1-4			HVC131	DIODE		IC609			TDA7053AT	BI-POLAR IC	
D7			1SV325	VARIABLE CAPACITANCE DIODE		Q1			DTA144EE	DIGITAL TRANSISTOR	
D9			1SV325	VARIABLE CAPACITANCE DIODE		Q2			DTC144EE	DIGITAL TRANSISTOR	
D11			1SV325	VARIABLE CAPACITANCE DIODE		Q6,7			2SK508NV(K52)	FET	
D13			1SV325	VARIABLE CAPACITANCE DIODE		Q8,9			2SJ347	FET	
D17			1SV278	VARIABLE CAPACITANCE DIODE		Q10			2SC5108(Y)	TRANSISTOR	
D18			MA2S111	DIODE		Q11			2SK1830	FET	
D100			HSC277	DIODE		Q12			2SC4617(S)	TRANSISTOR	
D103			HZU3BLL	ZENER DIODE		Q13-15			2SC5108(Y)	TRANSISTOR	
D106,107			HVC131	DIODE		Q100			2SC5108(Y)	TRANSISTOR	
D108			HZU2ALL	ZENER DIODE		Q101			2SK3077	FET	
D200			MA2S111	DIODE		Q102			2SK3391	FET	
D201			DAN222	DIODE		Q104			2SC4738(GR)	TRANSISTOR	
D202			RB706F-40	DIODE		Q105			RD07MVS1	FET	
D203			DAN222	DIODE		Q106			DTC114EE	DIGITAL TRANSISTOR	
D204			MA2S111	DIODE		Q107,108			2SK1824	FET	
D205			HSC277	DIODE		Q200			HN1L02FU	FET	
D206-210			HVC369B	VARIABLE CAPACITANCE DIODE		Q201			2SC4617(S)	TRANSISTOR	
D212			HVC369B	VARIABLE CAPACITANCE DIODE		Q202			2SJ243	FET	
D213,214			HVC131	DIODE		Q203			2SK1824	FET	
D314			MA2S111	DIODE		Q204			DTA144EE	DIGITAL TRANSISTOR	
D402			1SR154-400	DIODE		Q205			2SC5108(Y)	TRANSISTOR	
D403			1SS301	DIODE		Q206,207			3SK318	FET	
D404			MA2S111	DIODE		Q400			UMG9N	TRANSISTOR	
D405			RB521S-30	DIODE		Q401			SSM3K15TE	FET	
D406			MA2S111	DIODE		Q402			2SK1830	FET	
D408			MA2S111	DIODE		Q403			2SA1955(A)	TRANSISTOR	
D500			MA2S111	DIODE		Q404			DTC144EE	DIGITAL TRANSISTOR	
D501,502			1SS388	DIODE		Q405			2SJ347	FET	
D600-603			RB706F-40	DIODE		Q406			2SA1955(A)	TRANSISTOR	
D604			015AZ6.8	ZENER DIODE		Q407			2SK1830	FET	
D605			1SS373	DIODE		Q408			2SA1955(A)	TRANSISTOR	
D606			015AZ6.8	ZENER DIODE		Q409			2SJ347	FET	
						Q502			SSM3K15TE	FET	

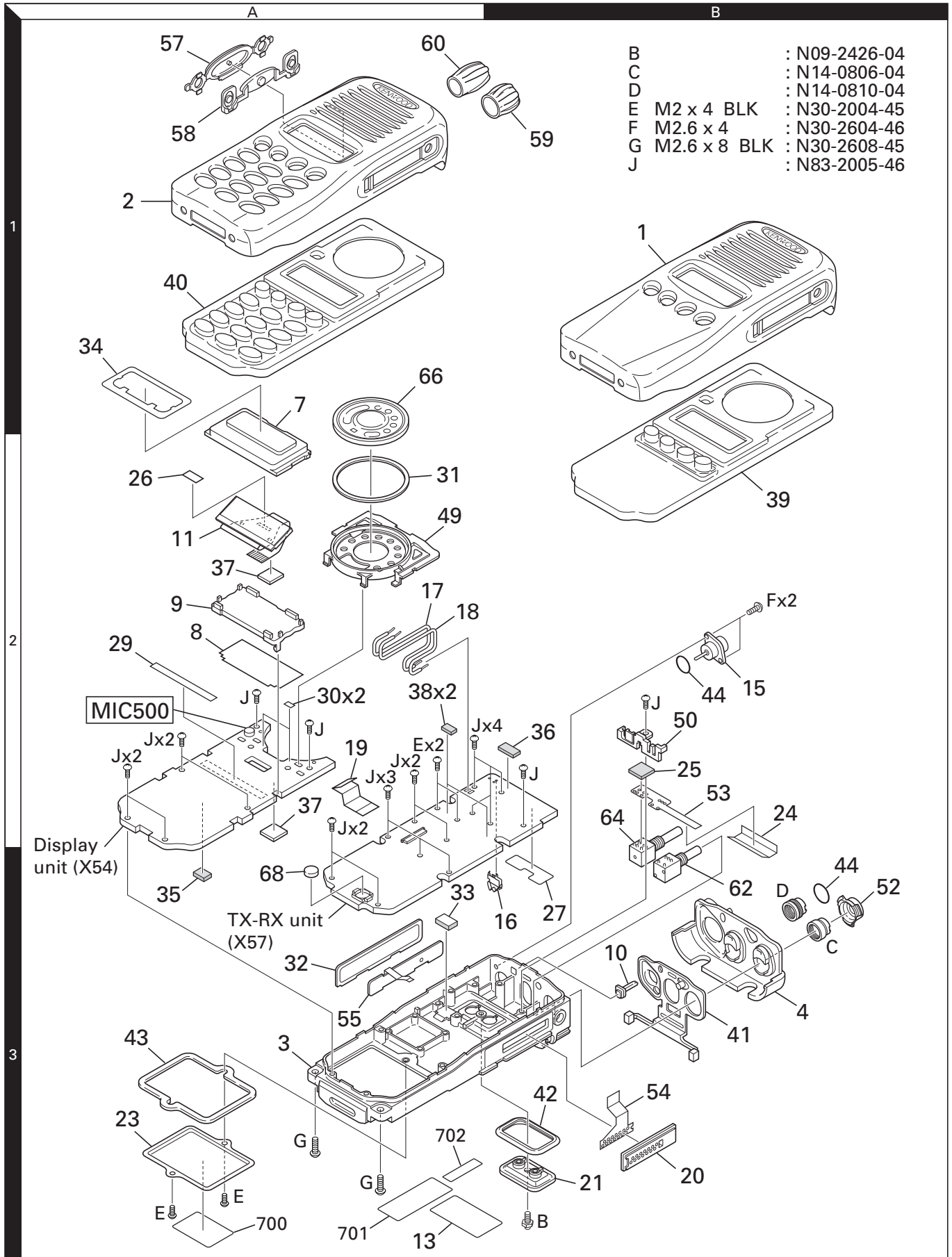
TK-3180

PARTS LIST

TX-RX UNIT (X57-6940-10)

Ref. No.	Address	New parts	Parts No.	Description	Destination	Ref. No.	Address	New parts	Parts No.	Description	Destination
Q602			DTA114EE	DIGITAL TRANSISTOR							
Q605			RN4910	TRANSISTOR							
Q606			2SC4738(GR)	TRANSISTOR							
Q607			2SA1832(GR)	TRANSISTOR							
Q608-610			2SJ243	FET							
Q611			HN1L02FU	FET							
Q612			2SC4617(S)	TRANSISTOR							
Q613			2SB1132(Q,R)	TRANSISTOR							
Q614			2SJ347	FET							
Q615			2SC4617(S)	TRANSISTOR							
Q616,617			UPA672T	FET							
Q618			2SK1824	FET							
Q619			2SJ243	FET							
Q620			DTA144TE	DIGITAL TRANSISTOR							
Q621			2SC4649(N,P)	TRANSISTOR							
Q622			FMMT717	TRANSISTOR							
Q623,624			2SK1830	FET							
TH100			ERTJ0EV104H	THERMISTOR							
TH200			ERTJ0EV104H	THERMISTOR							

EXPLODED VIEW



Parts with the exploded numbers larger than 700 are not supplied.

PACKING

