

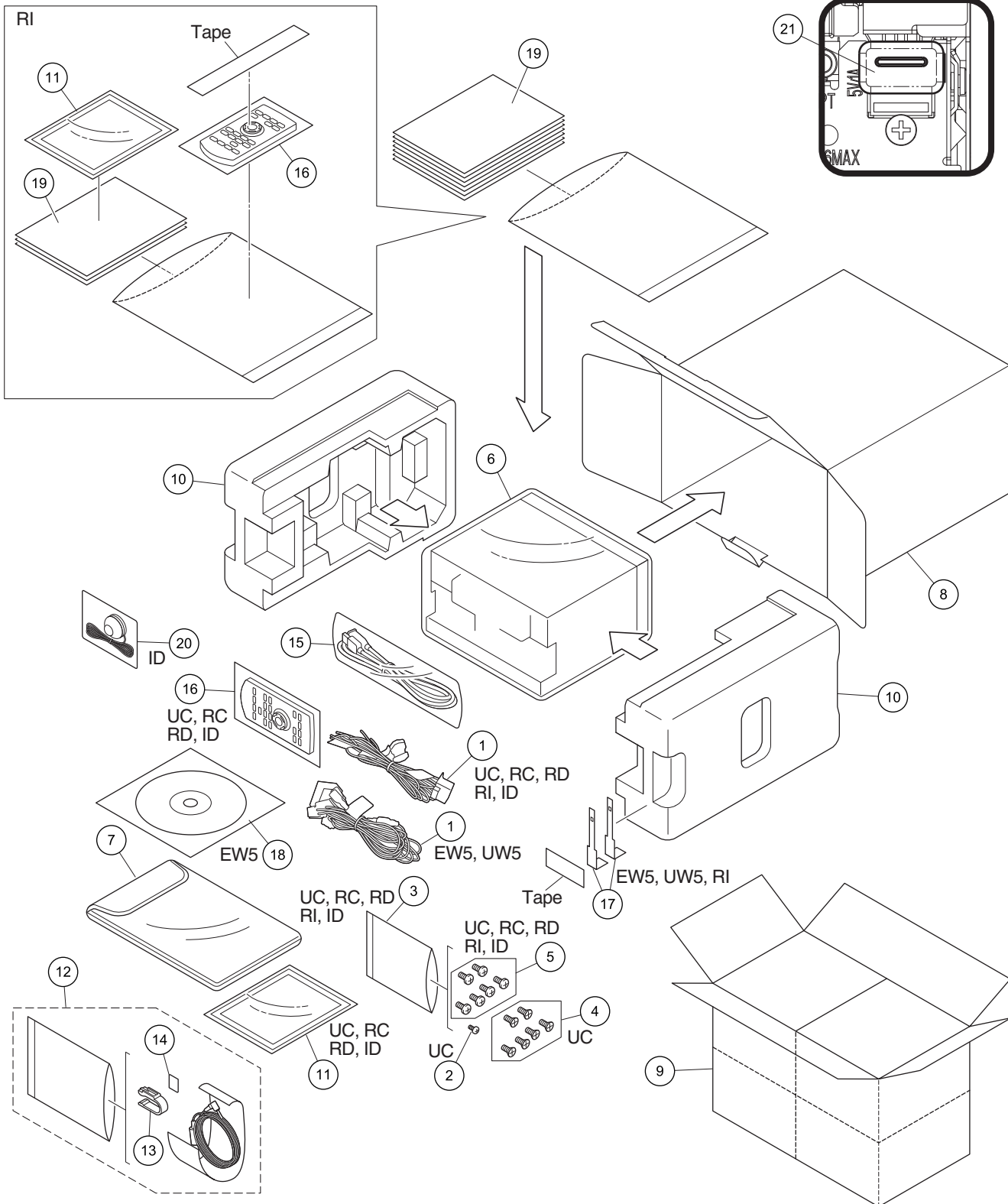


# 9. EXPLODED VIEWS AND PARTS LIST

NOTES : • Parts marked by " \* " are generally unavailable because they are not in our Master Spare Parts List.

- The  mark found on some component parts indicates the importance of the safety factor of the part. Therefore, when replacing, be sure to use parts of identical designation.
- Screw adjacent to  mark on the product are used for disassembly.
- For the applying amount of lubricants or glue, follow the instructions in this manual. (In the case of no amount instructions, apply as you think it appropriate.)

## 9.1 PACKING



**(1) PACKING SECTION PARTS LIST**

<u>Mark No.</u>	<u>Description</u>	<u>Part No.</u>	<u>Mark No.</u>	<u>Description</u>	<u>Part No.</u>
1	Cord Assy	See Contrast table (2)	16	Card Remote Control Unit	See Contrast table (2)
2	Screw	See Contrast table (2)	17	Handle	See Contrast table (2)
3	Polyethylene Bag	See Contrast table (2)	18	IM CD-ROM	See Contrast table (2)
4	Screw	See Contrast table (2)	19-1	Owner's Manual	See Contrast table (2)
5	Screw	See Contrast table (2)	19-2	Owner's Manual	See Contrast table (2)
6	Polyethylene Bag	See Contrast table (2)	19-3	Owner's Manual	See Contrast table (2)
7	Detach Grille Case	CEG1506	19-4	Owner's Manual	See Contrast table (2)
8	Unit Box	See Contrast table (2)	* 19-5	Warranty Card	See Contrast table (2)
9	Contain Box	See Contrast table (2)	19-6	Installation Manual	See Contrast table (2)
10	Protector	See Contrast table (2)	* 19-7	Caution Card	See Contrast table (2)
11	Panel	See Contrast table (2)	* 19-8	Caution Card	See Contrast table (2)
12	Microphone Assy	CPM1083	* 19-9	Caution Card	See Contrast table (2)
13	Holder	CZN7192	* 19-10	Service Network	See Contrast table (2)
14	Cushion	CZN7193	20	Microphone Assy	See Contrast table (2)
15	USB Extended Cable	See Contrast table (2)	21	CAP	CNW2617

**(2) CONTRAST TABLE**

AVH-P8400BH/XUUC, AVH-8400BT/XUEW5, AVH-P8400BT/XUUV5, AVH-P8450BT/XMRC, XURC, AVH-P8450BT/XURD, AVH-P8450BT//XMRI, XURI, AVH-P8490BT/XMID and AVH-P8490BT/XUID are constructed the same except for the following:

Mark	No.	Description	AVH-P8400BH/ XUUC	AVH-8400BT/ XUEW5	AVH-P8400BT/ XUUV5	AVH-P8450BT/ XMRC	AVH-P8450BT/ XURC
	1	Cord Assy	CDP1435	CDP1436	CDP1436	CDP1435	CDP1435
	2	Screw	BPZ20P060FTC	Not used	Not used	Not used	Not used
	3	Polyethylene Bag	CEG1160	Not used	Not used	CEG1160	CEG1160
	4	Screw	CRZ50P090FTC	Not used	Not used	Not used	Not used
	5	Screw	TRZ50P080FTC	Not used	Not used	TRZ50P080FTC	TRZ50P080FTC
	6	Polyethylene Bag	CEG1402	CEG1356	CEG1356	CEG1401	CEG1401
	8	Unit Box	CHG8047	CHG8046	CHG8048	CHG8049	CHG8043
	9	Contain Box	CHL8047	CHL8046	CHL8048	CHL8049	CHL8043
	10	Protector	CHP3951	CHP3708	CHP3708	CHP3951	CHP3951
	11	Panel	CNS9475	Not used	Not used	CNS9475	CNS9475
	15	USB Extended Cable	YDP5047	YDP5047	YDP5047	QDP3021	YDP5047
	16	Card Remote Control Unit	CXE5117	Not used	Not used	CXE5117	CXE5117
	17	Handle	Not used	CND6289	CND6289	Not used	Not used
	18	IM CD-ROM	Not used	CPJ1369	Not used	Not used	Not used
	19-1	Owner's Manual	CRB3795	CRD4603	CRB3798	CRB3800	CRB3800
	19-2	Owner's Manual	CRB3796	CRD4604	CRB3799	CRB3801	CRB3801
	19-3	Owner's Manual	CRB3797	Not used	Not used	CRB3802	CRB3802
	19-4	Owner's Manual	Not used	Not used	Not used	Not used	Not used
*	19-5	Warranty Card	QRY3001	CRY1377	CRY1330	Not used	Not used
	19-6	Installation Manual	Not used	CRD4605	Not used	Not used	Not used
*	19-7	Caution Card	Not used	CRP1436	Not used	Not used	Not used
*	19-8	Caution Card	Not used	CRP1441	Not used	Not used	Not used
*	19-9	Caution Card	CRP1461	CRP1449	Not used	Not used	Not used
*	19-10	Service Network	Not used	Not used	Not used	Not used	Not used
	20	Microphone Assy	Not used	Not used	Not used	Not used	Not used

Mark	No.	Description	AVH-P8450BT/ XURD	AVH-P8450BT/ XMRI	AVH-P8450BT/ XURI	AVH-P8490BT/ XMID	AVH-P8490BT/ XUID
	1	Cord Assy	CDP1435	CDP1435	CDP1435	CDP1435	CDP1435
	2	Screw	Not used	Not used	Not used	Not used	Not used
	3	Polyethylene Bag	CEG1160	CEG1160	CEG1160	CEG1160	CEG1160
	4	Screw	Not used	Not used	Not used	Not used	Not used
	5	Screw	TRZ50P080FTC	TRZ50P080FTC	TRZ50P080FTC	TRZ50P080FTC	TRZ50P080FTC

Mark	No.	Description	AVH-P8450BT/ XURD	AVH-P8450BT/ XMRI	AVH-P8450BT/ XURI	AVH-P8490BT/ XMID	AVH-P8490BT/ XUID
A	6	Polyethylene Bag	CEG1401	CEG1356	CEG1356	CEG1401	CEG1401
	8	Unit Box	CHG8050	CHG8051	CHG8044	CHG8052	CHG8045
	9	Contain Box	CHL8050	CHL8051	CHL8044	CHL8052	CHL8045
	10	Protector	CHP3951	CHP3708	CHP3708	CHP3951	CHP3951
	11	Panel	CNS9475	CNS9475	CNS9475	CNS9475	CNS9475
	15	USB Extended Cable	YDP5047	QDP3021	YDP5047	QDP3021	YDP5047
	16	Card Remote Control Unit	CXE5117	CXE5117	CXE5117	CXE5117	CXE5117
	17	Handle	Not used	CND6289	CND6289	Not used	Not used
	18	IM CD-ROM	Not used	Not used	Not used	Not used	Not used
	19-1	Owner's Manual	CRB3800	CRB3800	CRB3800	Not used	Not used
	19-2	Owner's Manual	CRB3803	CRB3805	CRB3805	Not used	Not used
19-3	Owner's Manual	CRB3804	CRB3806	CRB3806	Not used	Not used	
19-4	Owner's Manual	Not used	Not used	Not used	CRB3808	CRB3808	
* 19-5	Warranty Card	Not used	Not used	Not used	CRY1304	CRY1304	
* 19-6	Installation Manual	Not used	Not used	Not used	Not used	Not used	
* 19-7	Caution Card	Not used	Not used	Not used	Not used	Not used	
* 19-8	Caution Card	Not used	Not used	Not used	Not used	Not used	
* 19-8	Caution Card	Not used	Not used	Not used	Not used	Not used	
* 19-10	Service Network	Not used	Not used	Not used	CRY1305	CRY1305	
20	Microphone Assy	Not used	Not used	Not used	CPM1086	CPM1086	

### Owner's Manual, Installation Manual

Part No.	Language
CRB3795	English
CRB3796	French
CRB3797	Spanish(Espanol)
CRD4603	English, French, Italian, Spanish(Espanol)
CRD4604	German, Dutch
CRB3798	English
CRB3799	Russian
CRB3800	English
CRB3801	Traditional Chinese
CRB3802	Korean
CRB3803	Spanish(Espanol)
CRB3804	Portuguese(B)
CRB3805	Arabic
CRB3806	Persian
CRB3808	English

### CONTENTS OF CD-ROM (Operation Manual), CPJ1369

Part No.	Language
* CRB3782	English
* CRB3783	French
* CRB3784	Italian
* CRB3785	Spanish(Espanol)
* CRB3786	German
* CRB3787	Dutch
* CRB3788	Swedish
* CRB3789	Norwegian
* CRB3790	Finnish
* CRB3791	Danish
* CRB3792	Portuguese
* CRB3793	Greek
* CRB3794	Turkish

All operation manuals are supplied in PDF files by the CD-ROM.

Regarding the availability of paper manual, contact Pioneer Service representative in your region.

# 9.2 EXTERIOR (1)

1

2

3

4

A

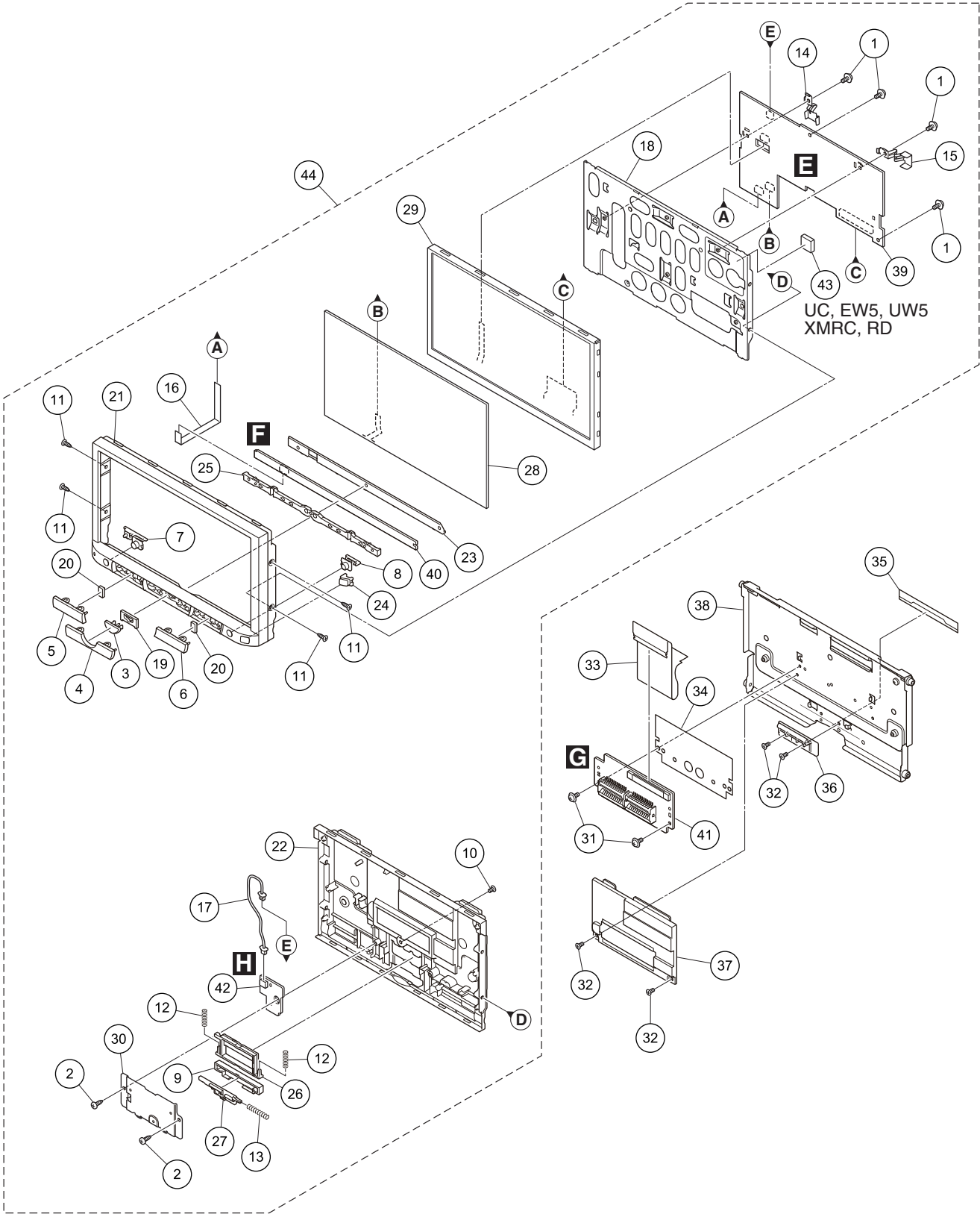
B

C

D

E

F



1

2

3

4

**(1) EXTERIOR (1) SECTION PARTS LIST**

<u>Mark No.</u>	<u>Description</u>	<u>Part No.</u>	<u>Mark No.</u>	<u>Description</u>	<u>Part No.</u>
1	Screw	AMZ20P030FTC	23	Spacer	CNW2111
2	Screw	BPZ20P060FTC	24	Lighting Conductor	CNW2420
3	Button (HOME)	CAI3737	25	Lighting Conductor	CNW2421
4	Button (MUTE, MODE)	CAI3738			
5	Button (VOL)	CAI3739	26	Lever	CNW2422
			27	Lever	CNW2423
6	Button (TRK)	CAI3740	28	Touch Panel	CSX1176
7	Button (SRC, OFF)	CAI3741	29	TFT LCD	CWX4182
8	Button (EJECT)	CAI3742	30	Holder Unit	CXE4883
9	Button (DETACH)	CAI3743			
10	Screw (M2 x 3)	CBA1877	31	Screw	AMZ20P030FTC
			32	Screw	CBA1877
11	Screw	CBA2132	33	FFC	CDE9561
12	Coil Spring	CBH3099	34	Insulator	CNN3890
13	Coil Spring	CBH3100	35	Cover	CNN4167
14	Plate Spring	CBL1832			
15	Plate Spring	CBL1833	36	Holder	CNW2424
			37	Cover	CNW2425
16	FFC	CDE9393	38	Case Unit	CXE4884
17	Cable Harness	CDE9563	39	Monitor Unit (Service)	CXX4127
18	Holder	CND6398	40	Key Unit (Service)	CXX4123
19	Cushion	CNN3888			
20	Cushion	CNN3889	41	Case Unit (Service)	CXX4125
			42	SW Unit (Service)	CXX4128
21	Grille	See Contrast table (2)	43	Gasket	See Contrast table (2)
22	Cover	CNU1825	44	Detach Unit (Service)	See Contrast table (2)

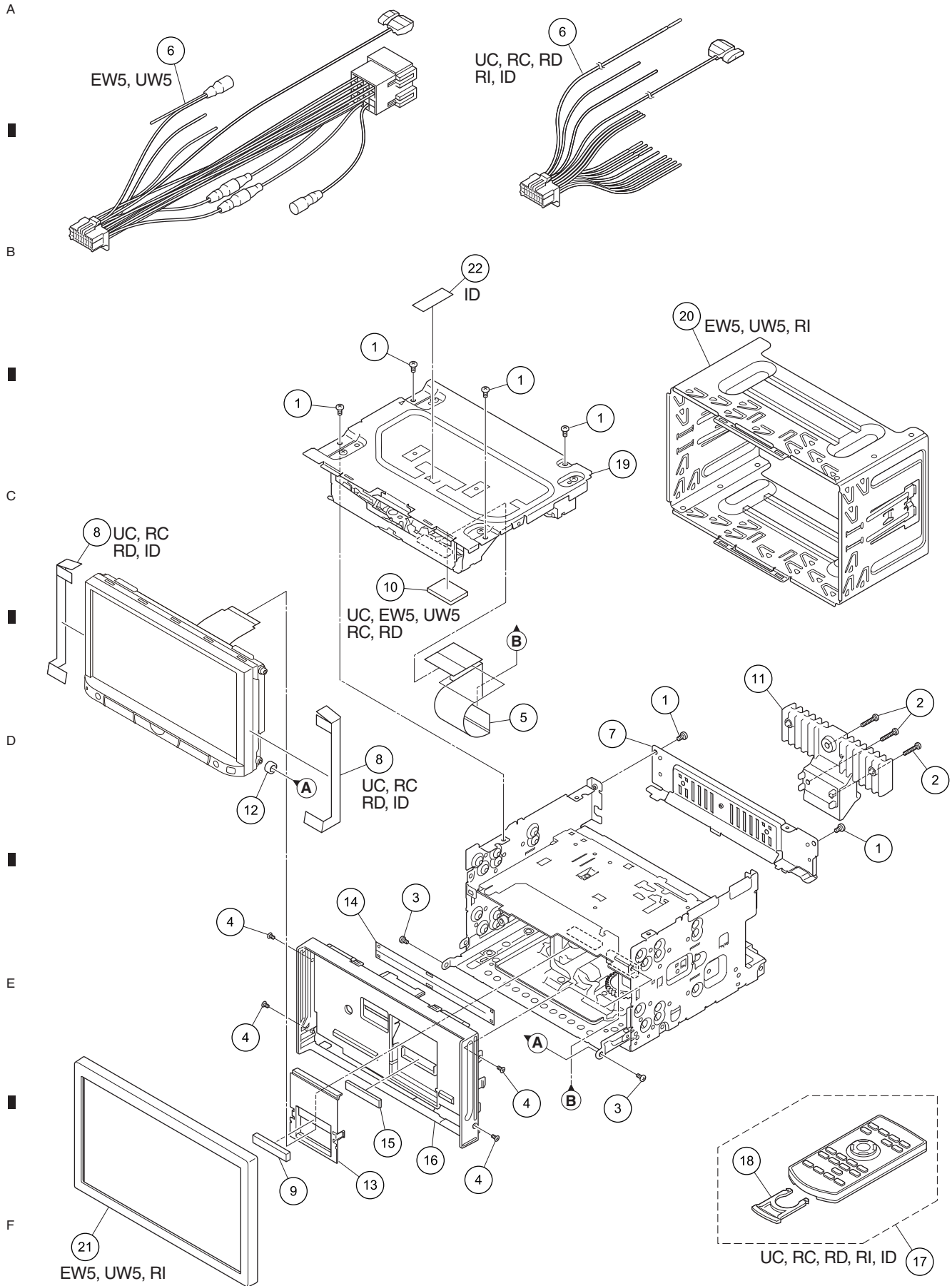
**(2) CONTRAST TABLE**

AVH-P8400BH/XUUC, AVH-8400BT/XUEW5, AVH-P8400BT/XUUW5, AVH-P8450BT/XMRC, XURC, AVH-P8450BT/XURD, AVH-P8450BT//XMRI, XURI, AVH-P8490BT/XMID and AVH-P8490BT/XUID are constructed the same except for the following:

Mark	No.	Description	AVH-P8400BH/ XUUC	AVH-8400BT/ XUEW5	AVH-P8400BT/ XUUW5	AVH-P8450BT/ XMRC	AVH-P8450BT/ XURC
	21	Grille	CNU1819	CNU1820	CNU1821	CNU1822	CNU1822
	43	Gasket	CNN2529	CNN2529	CNN2529	CNN2529	Not used
	44	Detach Unit (Service)	CXX4134	CXX4132	CXX4133	CXX4135	CXX4136

Mark	No.	Description	AVH-P8450BT/ XURD	AVH-P8450BT/ XMRI	AVH-P8450BT/ XURI	AVH-P8490BT/ XMID	AVH-P8490BT/ XUID
	21	Grille	CNU1822	CNU1822	CNU1822	CNU1823	CNU1823
	43	Gasket	CNN2529	Not used	Not used	Not used	Not used
	44	Detach Unit (Service)	CXX4135	CXX4136	CXX4136	CXX4138	CXX4138

# 9.3 EXTERIOR (2)



**(1) EXTERIOR (2) SECTION PARTS LIST**

<u>Mark No.</u>	<u>Description</u>	<u>Part No.</u>	<u>Mark No.</u>	<u>Description</u>	<u>Part No.</u>
1	Screw	BSZ26P050FTC	12	Collar	CNW2038
2	Screw	BSZ26P160FTC	13	Cover	CNW2316
3	Screw	CBA1735	14	Cover	See Contrast table (2)
4	Screw (M2 x 3)	CBA1877	15	Cushion	CNN3206
5	FFC	CDE9558			
6	Cord Assy	See Contrast table (2)	16	Panel	See Contrast table (2)
7	Holder	CND6246	17	Card Remote Control Unit	See Contrast table (2)
8	Sheet	See Contrast table (2)	18	Battery Cover	See Contrast table (2)
9	Cushion	CNN3893	19	DVD Mechanism Module (LS2)	CXK8004
10	Spacer	See Contrast table (2)	20	Holder	See Contrast table (2)
			21	Panel	See Contrast table (2)
11	Heat Sink	CNR2113	22	Label	See Contrast table (2)

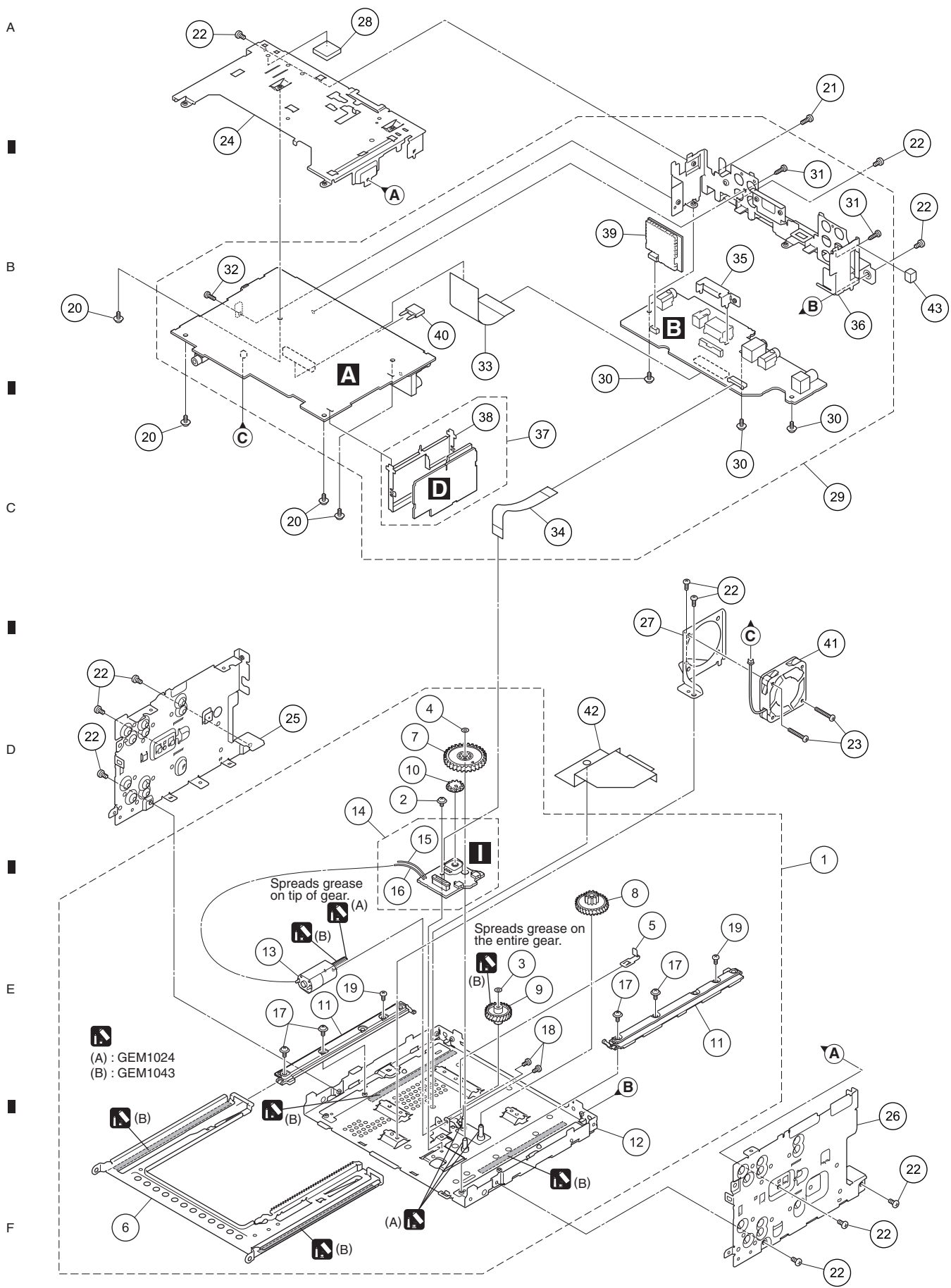
**(2) CONTRAST TABLE**

AVH-P8400BH/XUUC, AVH-8400BT/XUEW5, AVH-P8400BT/XUWU5, AVH-P8450BT/XMRC, XURC, AVH-P8450BT/XURD, AVH-P8450BT//XMRI, XURI, AVH-P8490BT/XMID and AVH-P8490BT/XUID are constructed the same except for the following:

Mark	No.	Description	AVH-P8400BH/ XUUC	AVH-8400BT/ XUEW5	AVH-P8400BT/ XUWU5	AVH-P8450BT/ XMRC	AVH-P8450BT/ XURC
	6	Cord Assy	CDP1435	CDP1436	CDP1436	CDP1435	CDP1435
	8	Sheet	CNN3089	Not used	Not used	CNN3089	CNN3089
	10	Spacer	CNN4042	CNN4042	CNN4042	CNN4042	CNN4042
	14	Cover	CNN1665	CNN1665	CNN1665	QNM3029	CNN1665
	16	Panel	CNU1826	CNU1827	CNU1827	CNU1827	CNU1827
	17	Card Remote Control Unit	CXE5117	Not used	Not used	CXE5117	CXE5117
	18	Battery Cover	CNU1624	Not used	Not used	CNU1624	CNU1624
	20	Holder	Not used	CND6288	CND6288	Not used	Not used
	21	Panel	Not used	CNS8665	CNS8665	Not used	Not used
	22	Label	Not used	Not used	Not used	Not used	Not used

Mark	No.	Description	AVH-P8450BT/ XURD	AVH-P8450BT/ XMRI	AVH-P8450BT/ XURI	AVH-P8490BT/ XMID	AVH-P8490BT/ XUID
	6	Cord Assy	CDP1435	CDP1435	CDP1435	CDP1435	CDP1435
	8	Sheet	CNN3089	Not used	Not used	CNN3089	CNN3089
	10	Spacer	CNN4042	Not used	Not used	Not used	Not used
	14	Cover	CNN1665	QNM3029	CNN1665	QNM3029	CNN1665
	16	Panel	CNU1827	CNU1827	CNU1827	CNU1827	CNU1827
	17	Card Remote Control Unit	CXE5117	CXE5117	CXE5117	CXE5117	CXE5117
	18	Battery Cover	CNU1624	CNU1624	CNU1624	CNU1624	CNU1624
	20	Holder	Not used	CND6288	CND6288	Not used	Not used
	21	Panel	Not used	CNS8665	CNS8665	Not used	Not used
	22	Label	Not used	Not used	Not used	CNN3533	CNN3533

# 9.4 EXTERIOR (3)



**(1) EXTERIOR (3) SECTION PARTS LIST**

<u>Mark No.</u>	<u>Description</u>	<u>Part No.</u>	<u>Mark No.</u>	<u>Description</u>	<u>Part No.</u>	
1	Drive Unit	CXE5574	23	Screw	CBA2109	
2	Screw	AMZ26P030FTC	24	Holder	CND6274	
3	Washer	CBF1039	25	Bracket	CND6275	
4	Washer	CBF1064				
5	Spring	EBL1034	26	Bracket	CND6335	
			27	Bracket	CND6528	
6	Frame	ENC2001	28	Sheet	CNN3994	
7	Gear	ENV1630	29	Mother Unit (Service)	See Contrast table (2)	
8	Gear	ENV1631	30	Screw	ASZ26P050FTC	
9	Gear	ENV1632				
10	Gear	ENV1635	31	Screw	BPZ26P080FTC	
			32	Screw	BSZ26P080FTC	
11	Guide	ENV3001	33	FFC	CDE9559	
12	Chassis Unit	EXA4001	34	FFC	CDE9560	
13	Motor Unit	EXA4003	35	Holder	CND4814	
14	PCB Unit (Service)	EXX2001				
*	15	Cord (Green)	CDC1056	36	Holder	See Contrast table (2)
			37	WWR Core TUN Unit	See Contrast table (2)	
*	16	Cord (White)	CDC1057	38	Holder	CND5830
17	Screw	IMS26P060FTC	39	BT Module	CWX4124	
18	Screw	JFZ20P025FTC	40	Fuse (10 A)	YEK5001	
19	Screw	EBA2002				
20	Screw	ASZ26P050FTC	41	Fan Motor	CXM1394	
			42	Sheet	CNN4190	
21	Screw	BMZ30P060FTC	43	Gasket	See Contrast table (2)	
22	Screw	BSZ26P050FTC				

**(2) CONTRAST TABLE**

AVH-P8400BH/XUUC, AVH-8400BT/XUEW5, AVH-P8400BT/XUUW5, AVH-P8450BT/XMRC, XURC, AVH-P8450BT/XURD, AVH-P8450BT//XMRI, XURI, AVH-P8490BT/XMID and AVH-P8490BT/XUID are constructed the same except for the following:

Mark	No.	Description	AVH-P8400BH/ XUUC	AVH-8400BT/ XUEW5	AVH-P8400BT/ XUUW5	AVH-P8450BT/ XMRC	AVH-P8450BT/ XURC
	29	Mother Unit (Service)	CXX4117	CXX4115	CXX4116	CXX4118	CXX4118
	36	Holder	CND6276	CND6321	CND6322	CND6322	CND6322
	37	WWR Core TUN Unit	CWE2347	*Tuner PCB	*Tuner PCB	*Tuner PCB	*Tuner PCB
	43	Gasket	Not used	Not used	Not used	Not used	Not used

Mark	No.	Description	AVH-P8450BT/ XURD	AVH-P8450BT/ XMRI	AVH-P8450BT/ XURI	AVH-P8490BT/ XMID	AVH-P8490BT/ XUID
	29	Mother Unit (Service)	CXX4119	CXX4120	CXX4120	CXX4121	CXX4121
	36	Holder	CND6322	CND6322	CND6322	CND6322	CND6322
	37	WWR Core TUN Unit	*Tuner PCB	*Tuner PCB	*Tuner PCB	*Tuner PCB	*Tuner PCB
	43	Gasket	CNN4172	Not used	Not used	Not used	Not used

# 9.5 DVD MECHANISM MODULE (1)

A

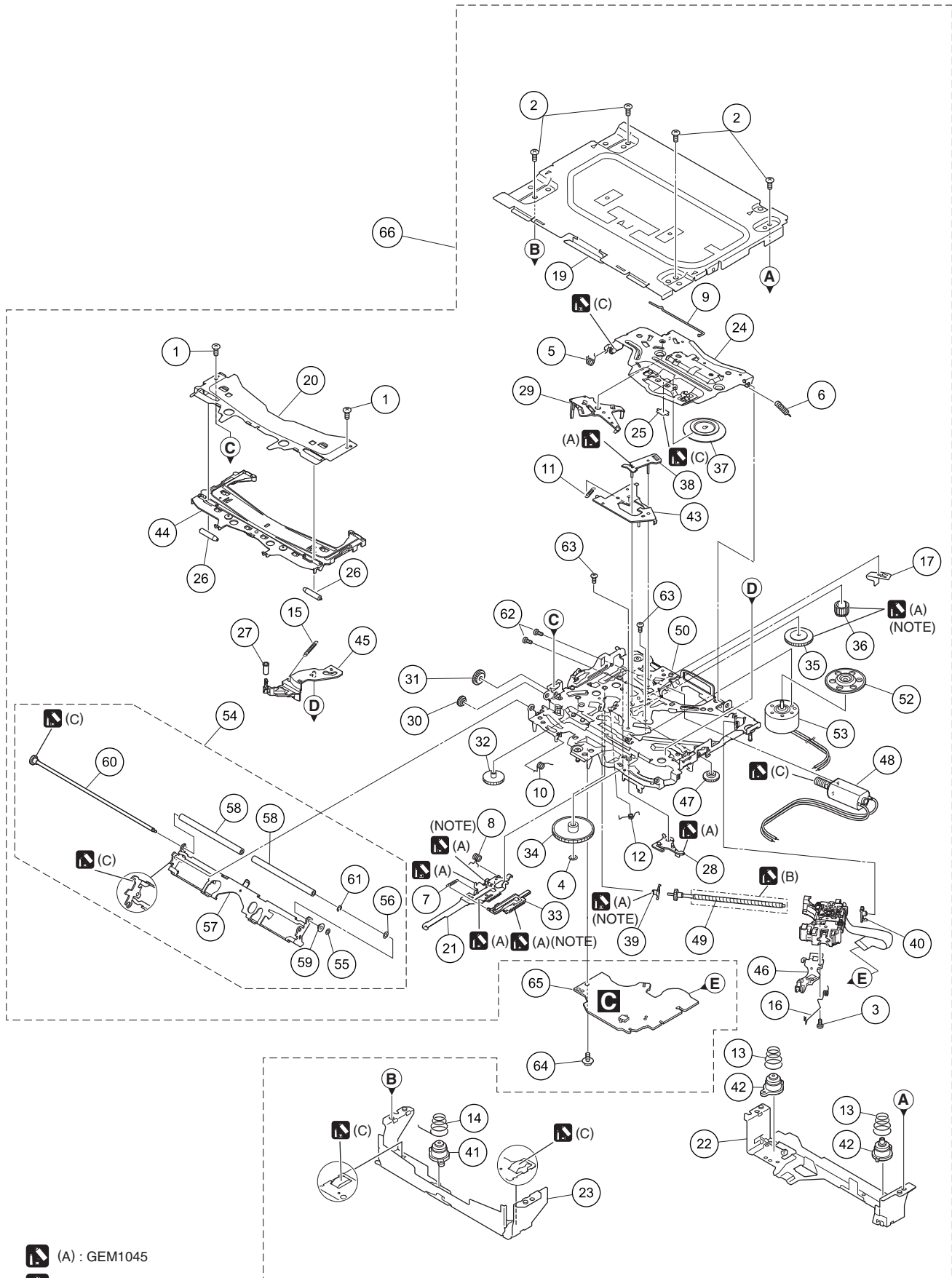
B




C

D

E

F



-  (A) : GEM1045
-  (B) : GEM1038
-  (C) : GEM1024

(NOTE) Apply grease to the whole part.

5 6 7 8  
**DVD MECHANISM MODULE SECTION PARTS LIST**

<u>Mark No.</u>	<u>Description</u>	<u>Part No.</u>	<u>Mark No.</u>	<u>Description</u>	<u>Part No.</u>
1	Screw	BSZ20P040FTC	35	Gear	CNW1186
2	Screw	BSZ26P060FTC			
3	Screw (M2 x 4)	CBA1835	36	Gear	CNW1187
4	Washer	CBF1038	37	Clamper	CNW1190
5	Spring	CBH2855	38	Arm	CNW1192
			39	Holder	CNW1193
6	Spring	CBH2860	40	Holder	CNW1194
7	Spring	CBH3010			
8	Spring	CBH3011	41	Damper	CNW1197
9	Spring	CBH3014	42	Damper	CNW1198
10	Spring	CBH3015	43	Arm	CNW1726
			44	Guide	CNW2240
11	Spring	CBH3016	45	Arm	CNW2241
12	Spring	CBH3017			
13	Spring	CBH3019	46	Rack	CNW2265
14	Spring	CBH3086	47	Gear	CNW2287
15	Spring	CBH3095	48	Motor Unit(M1)(CRG(L/E))	CXC4026
			49	Screw Unit	CXC8894
16	Spring	CBH3096	* 50	Chassis Unit	CXE4047
17	Plate Spring	CBL1824			
18	•••••		51	•••••	
19	Case	CNB3762	* 52	Support Wheel	CNW2052
20	Bracket	CND4553	* 53	Spindle Motor(M2)(SPINDLE)	EXM2002
			54	Arm Assy	CXE5027
21	Lever	CND5398	55	Washer	CBF1037
22	Bracket	CND5710			
23	Bracket	CND6127	56	Washer	CBF1038
24	Arm	CND6406	57	Arm	CND6242
25	Sheet	CNN3678	58	Roller	CNW1196
			59	Collar	CNW2444
26	Roller	CNW1172	60	Gear Unit	CXC8893
27	Roller	CNW1175			
28	Arm	CNW1177	61	Washer	YE15FTC
29	Arm	CNW1178	62	Screw	JFZ20P025FTC
30	Gear	CNW1180	63	Screw	JGZ17P020FTC
			64	Screw (M2 x 5)	EBA1028
31	Gear	CNW1181	65	DVD Core Unit	YWX5033
32	Gear	CNW1183			
33	Rack	CNW1184	66	Mechanism Unit(Service)	CXX4549
34	Gear	CNW1185			

(NOTE) Pickup, Spindle Motor and Support Wheel are not available as service parts, because they need adjustment by special equipment after replacing.

# 12. ELECTRICAL PARTS LIST

**NOTE:**

- Parts whose parts numbers are omitted are subject to being not supplied.
- The part numbers shown below indicate chip components.

Chip Resistor

RS1/○S○○○○J,RS1/○○S○○○○J

Chip Capacitor (except for CQS.....)

CKS....., CCS....., CSZS.....

- The  $\triangle$  mark found on some component parts indicates the importance of the safety factor of the part. Therefore, when replacing, be sure to use parts of identical designation.
- Meaning of the figures and others in the parentheses in the parts list.

Example) IC 301 is on the point (face A, 91 of x-axis, and 111 of y-axis) of the corresponding PC board.

IC 301 (A, 91, 111) IC NJM2068V

- The expression of the unit in this manual is shown by u instead of  $\mu$ . Please do not make a mistake.

**Circuit Symbol and No.**

**Part No.**

**A:AVH-P8400BH/XUUC**

**B:AVH-8400BT/XUEW5**

**C:AVH-P8400BT/XUUW5**

**D:AVH-P8450BT/XMRC, /XURC**

**E:AVH-P8450BT/XURD**

**F:AVH-P8450BT/XMRI, /XURI**

**G:AVH-P8490BT/XMID, /XUID**

**Unit Number : CXX4117(A)**

**Unit Name : Mother Unit(Service) (A)**

**Unit Number : CXX4115(B)**

**Unit Number : CXX4116(C)**

**Unit Number : CXX4118(D)**

**Unit Number : CXX4119(E)**

**Unit Number : CXX4120(F)**

**Unit Number : CXX4121(G)**

**Unit Name : Mother Unit(Service)  
(B,C,D,E,F,G)**

**Unit Number : YWX5033**

**Unit Name : DVD Core Unit**

**Unit Number : CXX4127**

**Unit Name : Monitor Unit(Service)**

**Unit Number : CXX4123**

**Unit Name : Key Unit(Service)**

**Unit Number : CXX4125**

**Unit Name : Case Unit(Service)**

**Unit Number : CXX4128**

**Circuit Symbol and No.**

**Part No.**

**Unit Name : SW Unit(Service)**

**Unit Number : EXX2001**

**Unit Name : PCB Unit(Service)**

**Mother Unit(Service) (A)**

**Consists of**

**Mother PCB**

**IF PCB**

**AB (A)**

**Unit Number : CXX4117(A)**

**Unit Name : Mother Unit(Service) (A)**

**MISCELLANEOUS**

IC 101	(A,97,121) IC	PA2030A
IC 181	(B,40,96) IC	PML020A
IC 231	(B,48,63) IC	NJM4558V
IC 232	(A,59,64) IC	NJM4558V
IC 261	(B,40,78) IC	AK4223VQ
IC 401	(B,168,29) IC	341S2162
IC 421	(A,148,78) D/A Converter	PCM1753DBQ
IC 422	(A,158,85) D/A Converter	PCM1753DBQ
IC 471	(B,139,91) V Pro SYS LSI	ML86V7675TBZ03A
IC 472	(A,142,93) IC	BH7673G
IC 521	(A,96,41) IC	BH7673G
IC 522	(B,100,41) IC	BH7673G
IC 523	(B,94,41) IC	BH7673G
IC 524	(B,94,44) IC	BH7673G
IC 601	(A,39,42) IC	PE5811A8
IC 602	(B,58,35) IC	S-80829CNMC-B80
IC 831	(B,128,105) IC	OZ529IGN
IC 832	(B,117,97) IC	OZ529IGN
IC 901	(B,25,74) IC	NJM4558V
IC 951	(B,161,98) IC	AK8814VQ
IC 1002	(A,159,72) Logic IC	TC7SHU04FUS1
IC 1003	(B,166,72) Logic IC	TC7SHU04FUS1
IC 1004	(A,143,55) IC	R8A77240D500BG1

5			6			7			8		
<u>Circuit Symbol and No.</u>			<u>Part No.</u>			<u>Circuit Symbol and No.</u>			<u>Part No.</u>		
IC 1006	(B,158,69)	Logic IC	TC74VHC125FK	Q 1322	(A,89,66)	FET	SFT1342				
IC 1201	(A,132,27)	IC	H5PS5162GFR-S5C	Q 1361	(B,83,29)	Chip Transistor	2SB1689				
IC 1202	(A,154,27)	IC	H5PS5162GFR-S5C	Q 1362	(B,84,35)	Digital Transistor	DTC143ZUA				A
IC 1241	(B,162,50)	Flash ROM Unit	(Service) CXX4234	Q 1381	(B,93,94)	Transistor	2SA1576A				
IC 1301	(A,35,65)	IC	S-812C33AUA-C2N	Q 1382	(B,93,90)	Digital Transistor	DTC143ZUA				
IC 1311	(A,165,80)	IC	NJM2388F84	Q 1393	(B,112,45)	Transistor	2SA1577				
IC 1321	(B,90,73)	IC	AN33012UA	Q 1400	(B,109,47)	Digital Transistor	DTC143ZUA				
IC 1361	(A,86,59)	IC	S-1142B50I-E6	Q 1401	(A,103,44)	Transistor	2SC4081				
IC 1371	(A,120,11)	IC	NJM2886DL3-33	Q 1431	(A,112,11)	Transistor	2SD2118				
IC 1381	(B,102,94)	IC	S-1172B33-E6	Q 1432	(A,97,15)	Transistor	DRC9A14E0				
IC 1383	(B,104,101)	IC	NJM2878F3-15	Q 1433	(A,65,59)	Transistor	UMF5N				
IC 1391	(A,116,86)	IC	S-1172B33-E6	Q 1434	(A,71,59)	Transistor	DRC9A14E0				
IC 1401	(A,107,49)	IC	AL2010	Q 1435	(A,68,64)	Transistor	2SD1760F5				
IC 1402	(A,114,71)	IC	S-1172B13-E6	Q 1441	(B,70,82)	Transistor	2SC4081				B
IC 1441	(B,65,69)	IC	TK11840L	Q 1442	(B,66,73)	Power MOS FET	XP151A11B0MR-G				
IC 1461	(A,38,83)	IC	NJM2846DL3-05	Q 1443	(B,71,66)	Transistor	DRC9A43E0				
IC 1471	(B,22,34)	IC	NJM2886DL3-33	Q 2031	(B,52,42)	Chip Transistor	HN1C03FU				
IC 1472	(A,23,57)	IC	S-1172B11-E6	D 101	(A,107,113)	Diode	CRG03				
IC 1473	(B,25,54)	IC	NJM2855DL1-33	D 102	(A,107,111)	Diode	CRG03				
IC 2071	(B,158,43)	IC	HA12241FP	D 121	(A,51,105)	Diode	CRG03				
IC 2101	(B,107,59)	IC	NJM2856DL3-18	D 122	(A,51,107)	Diode	CRG03				
IC 2102	(A,112,59)	IC	NJM2886DL3-33	D 131	(A,93,103)	Diode	DA2J101				
IC 2122	(A,148,43)	IC	WM8761BGED	D 132	(A,104,104)	Diode	DAN202U				
Q 101	(A,111,111)	Transistor	RN4982	D 133	(A,101,103)	Diode	DAN202U				
Q 131	(A,97,102)	Transistor	DRA9A24E0	D 134	(A,93,107)	Diode	DA2J101				C
Q 132	(A,102,99)	Transistor	DRA9A24E0	D 135	(A,83,111)	Diode	DZ2J082M0				
Q 133	(A,101,101)	Transistor	2SC4081	D 136	(A,83,107)	Diode	DAN202U				
Q 134	(A,97,104)	Chip Transistor	RN4983	D 151	(B,56,98)	Diode	DAN202U				
Q 135	(A,102,108)	Chip Transistor	RN1903	D 152	(B,54,124)	Diode	HZU7L(A1)				
Q 136	(A,89,110)	Transistor	2SC4081	D 153	(B,75,120)	Diode	HZU7L(C3)				
Q 151	(B,57,94)	Chip Transistor	HN1A01FU	D 154	(B,78,123)	Diode	DZ2J200M0				
Q 152	(B,71,124)	Transistor	HN1C01FU	D 155	(B,64,122)	Diode	DA2J101				
Q 153	(B,75,124)	Transistor	2SC4081	D 156	(B,63,125)	Diode	DZ2J056M0				
Q 154	(B,66,120)	Transistor	DRC9A14E0	D 231	(B,41,62)	Diode	RKZ4.7KG(B2)				
Q 155	(B,68,124)	Transistor	DRC9A14E0	D 401	(B,169,35)	Diode	RB751S-40				
Q 231	(B,36,64)	Transistor	2SC4081	D 601	(B,59,39)	Diode	DA2J101				D
Q 401	(B,163,29)	Transistor	2SA1576A	D 602	(B,45,29)	Diode	RB751S-40				
Q 421	(B,155,80)	Transistor	RN4982	D 603	(B,43,28)	Diode	RB551V-30				
Q 422	(B,155,77)	Chip Transistor	HN1C03FU	D 702	(B,54,20)	Diode	EMZC6.8N				
Q 423	(B,156,85)	Transistor	RN4982	D 703	(B,55,25)	Diode	EMZC6.8N				
Q 424	(B,156,88)	Chip Transistor	HN1C03FU	D 704	(B,56,20)	Diode	EMZC6.8N				
Q 471	(A,131,86)	Transistor	2SA1576A	D 705	(B,58,25)	Diode	EMZC6.8N				
Q 521	(B,97,48)	Transistor	2SC4081	D 706	(B,58,20)	Diode	EMZC6.8N				
Q 522	(B,100,46)	Transistor	2SC4081	D 707	(B,60,25)	Diode	EMZC6.8N				
Q 523	(B,107,42)	Transistor	2SC4081	D 708	(B,61,20)	Diode	EMZC6.8N				
Q 524	(A,103,39)	Transistor	2SC4081	D 709	(B,62,25)	Diode	EMZC6.8N				
Q 571	(A,25,12)	Transistor	RN4982	D 710	(B,63,20)	Diode	EMZC6.8N				E
Q 572	(A,28,15)	Chip Transistor	HN1C03FU	D 711	(B,64,25)	Diode	EMZC6.8N				
Q 591	(A,48,90)	Transistor	UMF23N	D 712	(B,65,20)	Diode	EMZC6.8N				
Q 601	(A,62,48)	Transistor	2SC4081	D 713	(B,80,20)	Diode	DZ2S068C				
Q 602	(B,83,19)	Transistor	2SC4081	D 714	(B,82,25)	Diode	DZ2S068C				
Q 781	(B,28,111)	Chip Transistor	HN1C03FU	D 715	(B,81,25)	Diode	DZ2S068C				
Q 782	(B,36,111)	Chip Transistor	HN1C03FU	D 716	(B,79,25)	Diode	DZ2S068C				
Q 783	(B,44,111)	Chip Transistor	HN1C03FU	D 717	(B,78,25)	Diode	DZ2S068C				
Q 821	(A,150,11)	Transistor	UMF23N	D 718	(B,78,20)	Diode	DZ2S068C				
Q 822	(A,145,12)	Transistor	2SA1576A	D 719	(B,77,20)	Diode	DZ2S068C				
Q 871	(B,124,40)	Chip Transistor	2SB1689	D 720	(B,76,20)	Diode	DZ2S068C				F
Q 1301	(A,33,71)	Transistor	2SB1184F5	D 721	(B,75,20)	Diode	DZ2S068C				
Q 1302	(A,49,71)	Transistor	2SD1664	D 722	(B,81,20)	Diode	DZ2S068C				
Q 1321	(A,89,80)	FET	SFT1342	D 723	(B,73,20)	Diode	DZ2S068C				

	<u>Circuit Symbol and No.</u>	<u>Part No.</u>	<u>Circuit Symbol and No.</u>	<u>Part No.</u>
	D 724 (B,72,20) Diode	DZ2S068C	L 472 (B,148,87) Chip Beads	VTL1132
	D 725 (B,70,20) Diode	DZ2S068C	L 521 (B,107,40) Inductor	CTF1545
			L 522 (B,102,47) Inductor	CTF1545
A	D 726 (B,71,25) Diode	DZ2S068C	L 523 (A,101,41) Inductor	CTF1545
	D 727 (B,68,25) Diode	DZ2S068C	L 524 (B,104,45) Inductor	CTF1545
	D 728 (B,68,20) Diode	DZ2S068C		
	D 729 (B,67,20) Diode	DZ2S068C	L 601 (A,28,59) Ferrite Bead	CTF1528
	D 730 (B,66,25) Diode	DZ2S068C	L 701 (A,74,24) Inductor	XTL3010
			L 831 (A,121,96) Choke Coil 33 uH	CTH1417
	D 731 (B,77,25) Diode	DZ2S068C	L 832 (A,164,101) Inductor	CTF1713
	D 732 (B,51,21) Diode	DZ2S068C	L 833 (A,157,99) Inductor	CTF1713
	D 733 (B,54,25) Diode	DZ2S068C		
	D 761 (B,134,111) Diode	DZ2S068C	L 834 (A,128,110) Choke Coil 33 uH	CTH1417
	D 762 (B,138,111) Diode	DZ2S068C	L 835 (B,124,111) Inductor	CTF1793
			L 836 (B,113,102) Inductor	CTF1793
	D 763 (B,118,111) Diode	DZ2S068C	L 901 (A,28,77) Inductor	LCTAW4R7J3225
B	D 811 (A,143,14) Diode	DZ2S068C	L 951 (B,171,102) Inductor	LCTAW2R7J2520
	D 812 (A,143,11) Diode	DZ2S068C		
	D 821 (A,148,16) Diode	DZ2J039M0	L 952 (B,152,101) Inductor	LCTAW2R7J2520
	D 831 (A,115,94) Diode	DB2X41400	L 1001 (A,130,42) Chip Beads	VTL1127
			L 1002 (A,127,51) Chip Beads	VTL1126
	D 832 (A,164,104) Diode	EZAEG2A50AX	L 1003 (A,125,52) Chip Beads	VTL1126
	D 834 (A,157,104) Diode	EZAEG2A50AX	L 1004 (A,127,49) Chip Beads	VTL1126
	D 835 (A,155,117) Diode	DZ2S068C		
	D 836 (B,150,106) Diode	DZ2S068C	L 1005 (A,125,50) Chip Beads	VTL1126
	D 837 (A,122,108) Diode	DB2X41400	L 1006 (A,127,50) Chip Beads	VTL1126
			L 1007 (A,125,51) Chip Beads	VTL1126
	D 838 (A,163,104) Diode	EZAEG2A50AX	L 1008 (A,127,48) Chip Beads	VTL1126
	D 839 (A,156,104) Diode	EZAEG2A50AX	L 1009 (A,125,49) Chip Beads	VTL1126
C	D 871 (B,119,36) Diode	EZAEG2A50AX		
	D 872 (B,115,37) Diode	EZAEG2A50AX	L 1010 (A,127,47) Chip Beads	VTL1126
	D 873 (B,106,37) Diode	EZAEG2A50AX	L 1011 (A,125,48) Chip Beads	VTL1126
			L 1012 (A,125,46) Chip Beads	VTL1126
	D 874 (B,104,37) Diode	EZAEG2A50AX	L 1013 (A,127,46) Chip Beads	VTL1126
	D 875 (B,102,37) Diode	EZAEG2A50AX	L 1014 (A,125,47) Chip Beads	VTL1126
	D 876 (B,112,36) Diode	EZAEG2A50AX		
	D 877 (B,128,17) Diode	DZ2S068C	L 1015 (A,125,45) Chip Beads	VTL1126
	D 878 (B,122,36) Diode	DZ2S068C	L 1016 (A,127,45) Chip Beads	VTL1126
			L 1017 (A,125,43) Chip Beads	VTL1126
	D 879 (B,128,14) Diode	DZ2S068C	L 1018 (A,127,43) Chip Beads	VTL1126
	D 1303 (A,54,70) Diode	DZ2J180M0	L 1019 (A,125,44) Chip Beads	VTL1126
	D 1304 (A,45,73) Diode	1SR154-400		
D	D 1321 (A,91,75) Diode	RB080L-30	L 1020 (A,127,44) Chip Beads	VTL1126
	D 1322 (A,91,71) Diode	RB080L-30	L 1021 (B,156,73) Chip Beads	VTL1132
			L 1022 (A,127,42) Chip Beads	VTL1126
	D 1323 (A,93,88) Diode	CMS03	L 1023 (B,151,64) Chip Beads	VTL1132
	D 1324 (A,89,88) Diode	CMS03	L 1024 (A,156,60) Chip Beads	VTL1132
	D 1371 (A,125,11) Diode	1SR154-400		
	D 1381 (B,110,87) Diode	1SR154-400	L 1025 (B,156,66) Chip Beads	VTL1132
	D 1391 (A,111,86) Diode	1SR154-400	L 1026 (B,158,66) Chip Beads	VTL1132
			L 1321 (A,102,86) Inductor	ATH1219
	D 1401 (A,108,56) Diode	DB2X206	L 1322 (A,101,61) Inductor	CTH1253
	D 1432 (A,105,17) Diode	HZU6R2(B3)	L 1323 (A,78,85) Choke Coil 6.8 uH	CTH1434
	D 1433 (A,77,62) Diode	RKZ8.2KG(B2)		
E	D 1434 (A,73,59) Diode	RKZ6.8KG(B2)	L 1401 (A,112,60) Inductor	CTH1526
			L 1441 (A,64,71) Choke Coil 47 uH	CTH1388
	D 1441 (B,67,81) Diode	HZU13(B1)	L 1442 (B,62,66) Inductor	CTF1735
	D 1442 (B,70,74) Diode	RB551V-30	L 2011 (B,61,41) Inductor	CTF1545
	D 1461 (A,33,95) Diode	1SR154-400	L 2012 (B,74,41) Inductor	CTF1545
	D 1462 (A,33,99) Diode	1SR154-400		
	D 1463 (A,31,90) Diode	1SR154-400	L 2013 (B,67,42) Inductor	CTF1545
			L 2031 (B,49,39) Inductor	CTF1545
	D 1464 (A,34,90) Diode	1SR154-400	L 2032 (B,55,39) Inductor	CTF1545
	D 2012 (B,66,40) Diode	DZ2S068C	L 2041 (A,165,37) Inductor	CTF1545
	D 2013 (B,73,41) Diode	DZ2S068C	L 2042 (A,161,35) Inductor	CTF1545
	D 2014 (B,62,41) Diode	DZ2S068C		
			L 2072 (B,163,45) Chip Beads	VTL1126
F	L 121 (A,66,99) Choke Coil 600 uH	CTH1221	L 2111 (B,130,35) Inductor	CTF1545
	L 131 (A,79,108) Chip Coil	BTH1101	L 2112 (B,126,35) Inductor	CTF1639
	L 151 (B,59,102) Chip Coil	BTH1101	X 471 (B,144,81) Crystal Resonator 32.000 MHz	CSS1818
	L 152 (B,59,125) Inductor	CTF1547	X 601 (A,59,39) Resonator 3.932 16 MHz	CSS1772

5		6		7		8	
<u>Circuit Symbol and No.</u>		<u>Part No.</u>		<u>Circuit Symbol and No.</u>		<u>Part No.</u>	
X 1002	(A,155,72)	Resonator 27.000 MHz	CSS1768	R 141	(A,81,106)	RS1/16SS153J	
X 1003	(B,166,68)	Resonator 22 579.2 kHz	CSS1812	R 142	(A,87,107)	RS1/10SR472J	
X 1004	(A,127,66)	Resonator 48.000 MHz	CSS1760	R 153	(B,59,99)	RS1/16SS103J	
X 1005	(A,127,59)	Crystal Resonator 33.333333 MHz	CSS1825	R 154	(B,55,93)	RS1/16SS473J	A
P 761	(A,118,113)	Poly Switch	MINISMDC075F/24	R 155	(B,57,92)	RS1/16SS473J	
P 781	(A,24,110)	Poly Switch	MINISMDC075F/24	R 156	(B,59,94)	RS1/16SS473J	
P 901	(B,20,87)	Surge Absorber	IMSA-6803-01Y900	R 157	(B,57,96)	RS1/16SS473J	
⚠ P1321	(A,70,82)	Fuse 6.3 A	CEK1262	R 158	(B,53,123)	RS1/16SS472J	
⚠ P1322	(A,22,12)	Fuse 1.25 A	CEK1382	R 159	(B,55,122)	RS1/16SS473J	
⚠ P1323	(A,21,23)	Fuse 3.0 A	CEK1386	R 160	(B,55,126)	RS1/16SS103J	
⚠ P1361	(A,96,25)	Fuse 4.0 A	CEK1387	R 163	(B,73,120)	RS1/16SS473J	
⚠ P1381	(A,111,78)	Fuse 3.0 A	CEK1386	R 164	(B,73,123)	RS1/16SS104J	
⚠ P1382	(B,97,98)	Fuse 0.5 A	CEK1379	R 165	(B,75,121)	RS1/16SS103J	
⚠ P1391	(B,111,50)	Fuse 1.0 A	CEK1381	R 166	(B,77,124)	RS1/16SS103J	
⚠ P1431	(A,100,14)	Fuse 2.5 A	CEK1385	R 167	(B,64,119)	RS1/16SS103J	B
⚠ P1435	(A,113,28)	Fuse 0.5 A	CEK1379	R 168	(B,60,125)	RS1/16SS103J	
⚠ P1441	(B,60,65)	Fuse 0.5 A	CEK1379	R 169	(B,68,122)	RS1/16SS104J	
P 2031	(B,46,48)	Poly Switch	MINISMDC075F/24	R 181	(B,36,108)	RS1/16SS182J	
P 2051	(A,120,41)	Poly Switch	MINISMDC075F/24	R 182	(B,39,109)	RS1/16SS182J	
BZ2161	(A,39,39)	Buzzer	CPV1062	R 183	(B,36,109)	RS1/16SS272J	
CN571	(A,29,20)	Connector	VKN1620	R 184	(B,40,109)	RS1/16SS272J	
CN591	(A,81,48)	Connector	CKS6283	R 185	(B,39,107)	RS1/16SS182J	
CN702	(A,67,17)	Connector	CKS6386	R 186	(B,42,107)	RS1/16SS182J	
CN1435	(A,113,24)	Connector	CKS4822	R 187	(B,43,106)	RS1/16SS272J	
CN2051	(A,109,25)	Connector	CKS4497	R 188	(B,43,107)	RS1/16SS272J	
CN2091	(A,53,65)	Connector	CKS6095	R 196	(B,32,90)	RS1/16SS473J	C
CN2121	(A,145,59)	Connector	CKS6346	R 231	(B,52,57)	RS1/10SR153J	
CN2161	(B,81,60)	Connector	CKS6386	R 232	(B,48,59)	RS1/10SR153J	
JA121	(A,62,118)	Plug	CKM1376	R 233	(B,45,59)	RS1/10SR153J	
JA761	(A,129,121)	RCA Jack	CKB1102	R 234	(A,58,59)	RS1/10SR153J	
JA781	(A,35,120)	Pin Jack	YKB5016	R 235	(B,50,66)	RS1/10SR153J	
JA811	(A,138,10)	Jack	CKS6437	R 236	(B,53,59)	RS1/10SR153J	
JA831	(A,163,114)	Connector	DKN1417	R 237	(A,54,58)	RS1/10SR273J	
JA871	(B,110,20)	Connector	CKS6282	R 238	(B,51,60)	RS1/10SR153J	
JA901	(A,14,111)	Antenna Jack	YKS5041	R 239	(A,52,58)	RS1/10SR273J	
JA2001	(A,13,31)	Pin Jack	CKB1065	R 240	(B,49,58)	RS1/10SR153J	D
JA2011	(A,69,19)	Mini Jack	AKN1073	R 242	(B,38,64)	RS1/16SS102J	
JA2031	(A,54,28)	Jack	CKS6437	R 243	(B,36,60)	RS1/16SS472J	
JA2041	(A,166,28)	Jack	CKS6437	R 246	(A,62,62)	RS1/10SR153J	
JA2071	(A,149,22)	Connector	CKS5271	R 247	(A,61,59)	RS1/10SR473J	
JA2111	(A,130,26)	Jack	CKN1040	R 248	(A,56,63)	RS1/10SR153J	
		WWR C-TUN Unit	CWE2347	R 249	(A,56,61)	RS1/10SR153J	
				R 250	(A,56,65)	RS1/10SR153J	
				R 251	(A,58,58)	RS1/10SR153J	
				R 252	(B,46,66)	RS1/10SR153J	
<b><u>RESISTORS</u></b>							
R 101	(A,111,109)		RS1/16SS103J				
R 102	(A,111,113)		RS1/16SS473J	R 261	(B,40,68)	RS1/16SS0R0J	
R 121	(B,60,121)		RS1/4SA102J	R 262	(B,51,70)	RS1/16SS0R0J	E
R 122	(B,54,120)		RS1/4SA102J	R 263	(B,51,79)	RS1/16SS0R0J	
R 123	(B,58,121)		RS1/4SA102J	R 264	(B,51,84)	RS1/16SS0R0J	
				R 267	(B,35,84)	RS1/16SS0R0J	
R 131	(A,94,100)		RS1/16SS102J				
R 132	(A,104,100)		RS1/16SS472J	R 268	(B,30,75)	RS1/16SS2200D	
R 133	(A,103,100)		RS1/16SS473J	R 271	(B,28,81)	RS1/16SS750J	
R 134	(A,97,107)		RS1/16SS683J	R 272	(B,31,75)	RS1/16SS0R0J	
R 135	(A,99,107)		RS1/16SS683J	R 273	(B,31,76)	RS1/16SS101J	
				R 274	(B,31,77)	RS1/16SS101J	
R 136	(A,104,108)		RS1/16SS101J				
R 137	(A,98,107)		RS1/16SS152J	R 275	(B,30,79)	RS1/16SS0R0J	
R 138	(A,89,107)		RS1/16SS103J	R 276	(B,30,80)	RS1/16SS101J	
R 139	(A,89,113)		RS1/16SS104J	R 277	(B,30,81)	RS1/16SS101J	F
R 140	(A,85,112)		RS1/16SS473J	R 279	(B,44,87)	RS1/10SR0R0J	
				R 280	(B,45,85)	RS1/10SR0R0J	

1

2

3

4

**Circuit Symbol and No.****Part No.****Circuit Symbol and No.****Part No.**

	R 282	(A,46,91)	RS1/16SS75R0D				
	R 283	(B,36,84)	RS1/16SS0R0J	R 471	(A,128,86)	RS1/16SS101J	
	R 284	(B,35,71)	RS1/16SS0R0J	R 474	(A,128,84)	RS1/16SS301J	
A	R 285	(B,36,71)	RS1/16SS0R0J	R 475	(B,153,70)	RS1/16SS0R0J	
	R 287	(B,38,67)	RS1/16SS0R0J	R 476	(B,153,71)	RS1/16SS0R0J	
				R 477	(B,132,84)	RS1/16SS151J	
	R 288	(B,41,68)	RS1/16SS0R0J				
	R 289	(B,42,68)	RS1/16SS0R0J	R 478	(B,129,87)	RS1/16SS151J	
	R 290	(B,44,68)	RS1/16SS0R0J	R 479	(B,129,94)	RS1/16SS151J	
	R 292	(B,31,74)	RS1/16SS0R0J	R 480	(A,134,90)	RS1/16SS0R0J	
	R 293	(B,30,78)	RS1/16SS0R0J	R 481	(A,135,88)	RS1/16SS0R0J	
	R 295	(A,45,92)	RS1/16SS470J	R 483	(B,139,81)	RS1/16SS472J	
	R 310	(B,46,68)	RS1/16SS0R0J	R 484	(B,140,99)	RS1/16SS473J	
	R 326	(B,51,69)	RS1/16SS0R0J	R 485	(B,142,83)	RS1/16SS105J	
	R 327	(B,51,72)	RS1/16SS0R0J	R 487	(B,146,85)	RS1/16SS101J	
B	R 328	(B,51,73)	RS1/16SS0R0J	R 488	(B,147,84)	RS1/16SS101J	
	R 329	(B,51,75)	RS1/16SS0R0J	R 489	(B,141,82)	RS1/16SS821J	
	R 330	(B,51,77)	RS1/16SS0R0J	R 490	(A,135,89)	RS1/16SS0R0J	
	R 331	(B,51,78)	RS1/16SS0R0J	R 492	(B,150,90)	RS1/16SS181J	
	R 333	(B,51,81)	RS1/16SS0R0J	R 493	(B,148,90)	RS1/16SS181J	
	R 342	(B,31,73)	RS1/16SS0R0J	R 494	(B,150,91)	RS1/16SS181J	
	R 343	(B,31,72)	RS1/16SS0R0J	R 495	(B,148,91)	RS1/16SS181J	
	R 345	(A,39,76)	RS1/16SS101J	R 496	(B,150,92)	RS1/16SS181J	
	R 346	(B,30,82)	RS1/16SS0R0J	R 497	(B,148,92)	RS1/16SS181J	
	R 347	(B,30,83)	RS1/16SS0R0J	R 498	(B,150,93)	RS1/16SS181J	
	R 373	(A,38,76)	RS1/16SS103J	R 499	(B,148,93)	RS1/16SS181J	
C	R 374	(B,51,82)	RS1/16SS0R0J	R 500	(B,150,94)	RS1/16SS560J	
	R 375	(B,51,85)	RS1/16SS0R0J	R 501	(B,148,94)	RS1/16SS560J	
	R 402	(B,169,25)	RS1/16SS103J	R 502	(B,150,95)	RS1/16SS560J	
	R 403	(B,171,27)	RS1/16SS103J	R 503	(B,133,79)	RS1/16SS0R0J	
	R 404	(B,165,33)	RS1/16SS103J	R 504	(B,149,84)	RS1/16SS222J	
	R 405	(B,168,33)	RS1/16SS102J	R 505	(B,147,83)	RS1/16SS222J	
	R 406	(B,170,26)	RS1/16SS101J	R 506	(B,149,85)	RS1/16SS101J	
	R 407	(B,168,25)	RS1/16SS101J	R 507	(B,150,88)	RS1/16SS473J	
	R 408	(B,166,33)	RS1/16SS103J	R 508	(B,141,99)	RS1/16SS101J	
	R 409	(B,167,25)	RS1/16SS1003F	R 510	(B,128,92)	RS1/16SS151J	
D	R 411	(B,162,32)	RS1/16SS472J	R 512	(B,149,86)	RS1/16SS331J	
	R 421	(B,158,81)	RS1/16SS102J	R 514	(A,140,97)	RS1/16SS750J	
	R 422	(B,155,75)	RS1/16SS472J	R 515	(A,138,96)	RS1/16SS0R0J	
	R 423	(B,153,76)	RS1/16SS472J	R 516	(A,140,96)	RS1/16SS750J	
	R 424	(A,155,79)	RS1/16SS104J	R 536	(A,99,39)	RS1/16SS101J	
	R 425	(A,154,79)	RS1/16SS104J	R 540	(B,96,46)	RS1/16SS101J	
	R 426	(A,151,76)	RS1/16SS821J	R 551	(B,100,43)	RS1/10SR101J	
	R 427	(A,152,79)	RS1/16SS821J	R 552	(B,103,42)	RS1/16SS101J	
	R 428	(A,149,72)	RS1/16SS0R0J	R 553	(B,98,44)	RS1/16SS101J	
	R 429	(A,148,84)	RS1/16SS0R0J	R 554	(A,126,86)	RS1/16SS0R0J	
	R 430	(A,150,86)	RS1/16SS0R0J	R 571	(A,24,14)	RS1/16SS102J	
E	R 431	(B,154,88)	RS1/16SS472J	R 572	(A,27,13)	RS1/16SS472J	
	R 432	(B,154,87)	RS1/16SS472J	R 573	(A,28,13)	RS1/16SS472J	
	R 433	(B,159,86)	RS1/16SS102J	R 574	(A,32,16)	RS1/16SS0R0J	
	R 434	(A,151,86)	RS1/16SS104J	R 577	(A,31,25)	RS1/16SS471J	
	R 435	(A,151,85)	RS1/16SS104J	R 578	(A,29,25)	RS1/16SS221J	
	R 436	(A,153,86)	RS1/16SS821J	R 579	(A,30,25)	RS1/16SS221J	
	R 437	(A,153,85)	RS1/16SS821J	R 580	(A,33,25)	RS1/16SS221J	
	R 438	(A,158,79)	RS1/16SS0R0J	R 581	(A,32,25)	RS1/16SS221J	
	R 443	(B,158,82)	RS1/16SS0R0J	R 582	(A,34,25)	RS1/16SS221J	
	R 444	(B,149,81)	RS1/16SS0R0J	R 591	(A,48,93)	RS1/16SS562J	
F	R 445	(B,153,78)	RS1/16SS0R0J	R 592	(A,49,97)	RS1/16SS332J	
	R 446	(B,40,66)	RS1/16SS0R0J	R 593	(A,81,45)	RS1/16SS471J	
	R 449	(A,153,82)	RS1/16SS0R0J	R 594	(A,79,45)	RS1/16SS471J	
	R 451	(A,150,88)	RS1/16SS0R0J	R 595	(A,50,90)	RS1/16SS222J	
	R 452	(A,152,78)	RS1/16SS0R0J	R 601	(A,33,57)	RS1/16SS221J	

1

2

3

4

5  
**Circuit Symbol and No.**

6  
**Part No.**

7  
**Circuit Symbol and No.**

8  
**Part No.**

R 602	(A,31,57)	RS1/16SS221J	R 670	(B,32,41)	RS1/16SS221J
R 603	(A,32,57)	RS1/16SS221J	R 672	(B,48,40)	RS1/16SS0R0J
R 604	(B,52,44)	RS1/16SS473J	R 673	(B,30,33)	RS1/16SS223J
R 605	(B,53,38)	RS1/16SS0R0J	R 674	(B,30,34)	RS1/16SS223J
R 606	(A,63,52)	RS1/16SS473J	R 675	(B,30,35)	RS1/10SR0R0J
R 607	(A,61,52)	RS1/16SS473J	R 676	(A,55,55)	RS1/16SS222J
R 608	(B,60,39)	RS1/16SS104J	R 677	(A,37,27)	RS1/16SS0R0J
R 609	(B,50,40)	RS1/16SS104J	R 679	(A,24,42)	RS1/16SS473J
R 610	(B,50,42)	RS1/16SS104J	R 680	(A,24,40)	RS1/16SS104J
R 611	(A,55,46)	RS1/16SS104J	R 681	(A,55,52)	RS1/16SS472J
R 612	(B,52,29)	RS1/16SS0R0J	R 682	(A,51,27)	RS1/16SS222J
R 613	(B,55,35)	RS1/10SR0R0J	R 683	(B,41,56)	RS1/16SS222J
R 614	(A,55,39)	RS1/16SS100J	R 684	(A,36,59)	RS1/10SR0R0J
R 615	(B,48,49)	RS1/10SR0R0J	R 685	(A,35,59)	RS1/10SR0R0J
R 616	(B,52,36)	RS1/16SS104J	R 687	(A,48,27)	RS1/16SS222J
R 617	(B,54,38)	RS1/16SS102J	R 688	(B,47,27)	RS1/16SS473J
R 618	(B,52,42)	RS1/16SS473J	R 689	(A,45,25)	RS1/16SS394J
R 620	(B,54,43)	RS1/16SS681J	R 690	(B,58,48)	RS1/16SS471J
R 621	(B,54,42)	RS1/16SS273J	R 691	(B,58,47)	RS1/16SS471J
R 622	(A,60,48)	RS1/16SS473J	R 695	(A,34,27)	RS1/16SS0R0J
R 623	(A,54,33)	RS1/16SS101J	R 697	(B,82,23)	RS1/16SS104J
R 624	(B,49,50)	RS1/16SS472J	R 698	(B,83,23)	RS1/16DD224J
R 625	(B,49,51)	RS1/16SS472J	R 699	(A,54,31)	RS1/16SS101J
R 626	(A,55,53)	RS1/16SS473J	R 700	(A,52,22)	RS1/16SS101J
R 627	(B,51,27)	RS1/16SS473J	R 701	(A,55,47)	RS1/16SS0R0J
R 628	(B,52,27)	RS1/16SS473J	R 702	(A,58,48)	RS1/16SS0R0J
R 629	(B,48,27)	RS1/16SS472J	R 703	(A,55,50)	RS1/16SS0R0J
R 630	(B,49,27)	RS1/16SS472J	R 704	(A,54,52)	RS1/16SS0R0J
R 631	(A,50,27)	RS1/16SS471J	R 705	(A,24,47)	RS1/16SS0R0J
R 632	(A,49,27)	RS1/16SS471J	R 706	(B,72,18)	RS1/16SS472J
R 633	(B,49,52)	RS1/16SS473J	R 707	(B,70,24)	RS1/16SS472J
R 634	(B,48,52)	RS1/16SS473J	R 729	(B,78,17)	RS1/16SS222J
R 635	(B,47,52)	RS1/16SS473J	R 738	(B,80,17)	RS1/16SS222J
R 636	(A,48,57)	RS1/16SS473J	R 761	(B,117,111)	RS1/16SS223J
R 637	(A,46,27)	RS1/16SS101J	R 762	(B,140,111)	RS1/16SS223J
R 638	(A,42,58)	RS1/16SS104J	R 781	(A,29,114)	RS1/16SS390J
R 639	(B,43,32)	RS1/16SS103J	R 782	(A,43,114)	RS1/16SS390J
R 640	(B,42,57)	RS1/16SS103J	R 783	(A,27,114)	RS1/16SS390J
R 641	(B,42,29)	RS1/16SS104J	R 784	(A,38,114)	RS1/16SS390J
R 642	(B,42,56)	RS1/16SS103J	R 785	(A,33,114)	RS1/16SS390J
R 644	(A,40,58)	RS1/16SS471J	R 786	(A,45,114)	RS1/16SS390J
R 647	(B,41,57)	RS1/16SS681J	R 787	(A,30,114)	RS1/16SS223J
R 652	(A,46,58)	RS1/16SS221J	R 788	(A,41,114)	RS1/16SS223J
R 653	(B,38,52)	RS1/16SS182J	R 789	(A,25,114)	RS1/16SS223J
R 654	(A,39,58)	RS1/16SS221J	R 790	(A,39,114)	RS1/16SS223J
R 655	(B,37,52)	RS1/16SS182J	R 791	(A,31,114)	RS1/16SS223J
R 656	(A,38,25)	RS1/10SR0R0J	R 792	(A,46,114)	RS1/16SS223J
R 657	(A,38,58)	RS1/16SS221J	R 793	(B,33,111)	RS1/16SS472J
R 658	(B,37,54)	RS1/10SR0R0J	R 794	(B,39,111)	RS1/16SS472J
R 659	(A,35,27)	RS1/16SS473J	R 795	(B,46,111)	RS1/16SS472J
R 660	(B,37,32)	RS1/16SS473J	R 796	(B,41,111)	RS1/16SS472J
R 661	(B,35,55)	RS1/16SS473J	R 797	(B,31,111)	RS1/16SS472J
R 662	(A,36,57)	RS1/16SS473J	R 798	(B,25,111)	RS1/16SS472J
R 663	(A,34,61)	RS1/16SS473J	R 811	(A,144,16)	RS1/16SS102J
R 664	(A,30,28)	RS1/16SS104J	R 812	(A,144,14)	RS1/16SS473J
R 665	(B,29,27)	RS1/16SS104J	R 821	(A,149,14)	RS1/16SS473J
R 666	(A,24,41)	RS1/16SS221J	R 822	(A,151,14)	RS1/16SS104J
R 667	(B,31,41)	RS1/16SS221J	R 823	(A,148,10)	RS1/16SS473J
R 668	(B,30,41)	RS1/16SS221J	R 824	(A,148,12)	RS1/16SS104J
R 669	(A,24,39)	RS1/16SS104J	R 825	(A,145,14)	RS1/16SS122J

	1	2	3	4
	<u>Circuit Symbol and No.</u>	<u>Part No.</u>	<u>Circuit Symbol and No.</u>	<u>Part No.</u>
A	R 826 (A,151,15)	RS1/16SS152J	R 910 (B,26,68)	RS1/10SR103J
	R 831 (B,129,111)	RS1/16SS3902D	R 911 (B,22,77)	RS1/16SS103J
	R 832 (B,131,111)	RS1/16SS1201D	R 912 (B,22,78)	RS1/16SS103J
	R 833 (B,131,110)	RS1/16SS1002D	R 913 (B,25,79)	RS1/10SR103J
	R 836 (B,118,103)	RS1/16SS3902D	R 919 (A,18,30)	RS1/16SS680J
B	R 837 (B,120,103)	RS1/16SS1201D	R 920 (A,18,31)	RS1/16SS680J
	R 838 (B,121,102)	RS1/16SS1002D	R 921 (A,18,32)	RS1/16SS680J
	R 841 (B,132,100)	RS1/16SS104J	R 922 (A,18,33)	RS1/16SS680J
	R 842 (A,146,106)	RS1/8SQ0R0J	R 923 (B,44,51)	RS1/16SS0R0J
	R 843 (B,118,92)	RS1/16SS0R0J	R 924 (B,42,51)	RS1/16SS0R0J
C	R 844 (B,114,92)	RS1/16SS104J	R 925 (B,46,51)	RS1/16SS0R0J
	R 845 (B,123,92)	RS1/16SS104J	R 930 (A,24,74)	RS1/16SS102J
	R 846 (B,120,92)	RS1/16SS8201D	R 931 (A,20,73)	RS1/16SS102J
	R 847 (B,121,92)	RS1/16SS393J	R 932 (A,26,73)	RS1/16SS0R0J
	R 848 (B,123,100)	RS1/16SS0R0J	R 934 (A,25,75)	RS1/10SR0R0J
D	R 849 (B,122,92)	RS1/16SS104J	R 952 (B,166,93)	RS1/16SS103J
	R 850 (A,148,108)	RS1/8SQ0R0J	R 953 (B,157,103)	RS1/16SS101J
	R 851 (B,134,103)	RS1/16SS101J	R 954 (B,154,104)	RS1/16SS101J
	R 852 (B,124,92)	RS1/16SS101J	R 955 (B,163,92)	RS1/16SS103J
	R 853 (B,128,100)	RS1/16SS0R0J	R 956 (B,162,92)	RS1/16SS103J
E	R 854 (B,125,100)	RS1/16SS104J	R 957 (B,160,91)	RS1/16SS221J
	R 855 (B,133,103)	RS1/16SS104J	R 958 (B,159,93)	RS1/16SS221J
	R 856 (B,130,100)	RS1/16SS8201D	R 960 (B,154,98)	RS1/16SS6801D
	R 857 (B,131,100)	RS1/16SS393J	R 961 (B,165,92)	RS1/16SS101J
	R 858 (B,132,111)	RS1/16SS0R0J	R 962 (B,166,103)	RS1/16SS103J
F	R 859 (B,138,106)	RS1/16SS102J	R 964 (B,155,94)	RS1/10SR0R0J
	R 860 (B,137,106)	RS1/16SS102J	R 965 (B,150,100)	RS1/10SR0R0J
	R 861 (B,125,97)	RS1/16SS102J	R 1001 (A,164,54)	RS1/16SS330J
	R 862 (B,125,99)	RS1/16SS102J	R 1002 (A,166,55)	RS1/16SS330J
	R 863 (B,127,110)	RS1/16SS0R0J	R 1003 (A,159,55)	RS1/16SS330J
G	R 864 (B,116,103)	RS1/16SS0R0J	R 1004 (A,156,55)	RS1/16SS330J
	R 865 (A,143,108)	RS1/16SS102J	R 1005 (A,166,54)	RS1/16SS330J
	R 866 (A,144,108)	RS1/16SS102J	R 1006 (A,164,53)	RS1/16SS330J
	R 867 (A,145,108)	RS1/16SS102J	R 1007 (A,159,54)	RS1/16SS330J
	R 868 (A,146,108)	RS1/16SS102J	R 1008 (A,158,54)	RS1/16SS330J
H	R 869 (A,144,105)	RS1/16SS102J	R 1009 (A,166,53)	RS1/16SS330J
	R 870 (A,144,104)	RS1/16SS102J	R 1010 (A,164,52)	RS1/16SS330J
	R 871 (A,144,103)	RS1/16SS102J	R 1011 (A,159,53)	RS1/16SS330J
	R 872 (B,126,16)	RS1/16SS0R0J	R 1012 (A,157,71)	RS1/16SS105J
	R 873 (A,144,102)	RS1/16SS102J	R 1013 (B,127,68)	RS1/10SR0R0J
I	R 874 (B,120,36)	RS1/16SS101J	R 1014 (A,158,53)	RS1/16SS330J
	R 875 (B,117,36)	RS1/16SS101J	R 1015 (B,128,60)	RS1/10SR0R0J
	R 877 (B,113,36)	RS1/16SS0R0J	R 1016 (A,166,52)	RS1/16SS330J
	R 879 (B,106,36)	RS1/16SS220J	R 1017 (A,166,51)	RS1/16SS330J
	R 880 (B,104,36)	RS1/16SS101J	R 1018 (B,166,70)	RS1/16SS105J
J	R 881 (B,101,36)	RS1/16SS101J	R 1019 (B,139,66)	RS1/10SR0R0J
	R 882 (B,126,14)	RS1/16SS0R0J	R 1021 (A,164,51)	RS1/16SS330J
	R 883 (B,120,39)	RAB4C223J	R 1022 (A,157,69)	RS1/16SS102J
	R 884 (B,115,39)	RAB4C223J	R 1023 (A,159,52)	RS1/16SS330J
	R 885 (B,119,42)	RS1/16SS102J	R 1024 (B,163,69)	RS1/16SS331J
K	R 886 (B,124,36)	RS1/16SS681J	R 1025 (A,158,69)	RS1/16SS220J
	R 887 (B,124,38)	RS1/16SS103J	R 1026 (B,162,69)	RS1/16SS220J
	R 901 (A,22,74)	RS1/16SS103J	R 1027 (A,158,52)	RS1/16SS330J
	R 902 (A,23,74)	RS1/16SS103J	R 1028 (A,162,72)	RS1/10SR0R0J
	R 903 (B,22,66)	RS1/10SR681J	R 1029 (B,162,72)	RS1/10SR0R0J
L	R 904 (A,18,45)	RS1/16SS680J	R 1030 (B,148,72)	RS1/16SS221J
	R 905 (A,18,46)	RS1/16SS680J	R 1031 (B,147,71)	RS1/16SS221J
	R 907 (A,18,47)	RS1/16SS473J	R 1034 (A,164,50)	RS1/16SS330J
	R 908 (B,22,69)	RS1/16SS103J	R 1035 (A,145,72)	RS1/16SS101J
	R 909 (B,21,72)	RS1/16SS103J	R 1036 (A,147,72)	RS1/16SS101J

5  
**Circuit Symbol and No.**

6  
**Part No.**

7  
**Circuit Symbol and No.**

8  
**Part No.**

R 1037	(A,146,72)	RS1/16SS101J	R 1110	(B,146,39)	RS1/16SS100J
R 1038	(A,164,49)	RS1/16SS330J	R 1111	(B,138,39)	RS1/16SS100J
R 1039	(A,159,90)	RS1/16SS101J	R 1112	(B,149,40)	RS1/16SS100J
R 1040	(A,161,90)	RS1/16SS101J	R 1113	(B,141,39)	RS1/16SS100J
R 1041	(A,160,90)	RS1/16SS101J	R 1114	(B,151,71)	RS1/16SS331J
R 1042	(A,159,51)	RS1/16SS330J	R 1115	(B,151,70)	RS1/16SS331J
R 1043	(A,158,51)	RS1/16SS330J	R 1116	(B,152,60)	RS1/16SS121J
R 1044	(B,146,70)	RS1/10SR0R0J	R 1117	(A,148,68)	RS1/16SS472J
R 1045	(B,144,70)	RS1/10SR0R0J	R 1118	(A,147,68)	RS1/16SS472J
R 1046	(A,136,68)	RS1/16SS5601D	R 1119	(A,150,70)	RS1/16SS473J
R 1047	(A,134,68)	RS1/16SS5601D	R 1120	(A,151,72)	RS1/16SS473J
R 1048	(A,130,66)	RS1/16SS681J	R 1121	(A,152,68)	RS1/16SS473J
R 1050	(A,121,60)	RS1/16SS103J	R 1122	(A,166,47)	RS1/16SS561J
R 1051	(A,122,63)	RS1/16SS103J	R 1123	(B,158,65)	RS1/16SS471J
R 1052	(A,121,63)	RS1/16SS103J	R 1124	(B,154,66)	RS1/16SS471J
R 1053	(A,122,61)	RS1/16SS103J	R 1126	(B,156,74)	RS1/16SS471J
R 1054	(A,121,59)	RS1/16SS103J	R 1127	(B,148,69)	RS1/16SS472J
R 1055	(A,121,62)	RS1/16SS103J	R 1128	(B,148,17)	RS1/16SS103J
R 1056	(A,121,58)	RS1/16SS103J	R 1129	(B,130,48)	RS1/16SS103J
R 1057	(A,122,58)	RS1/16SS103J	R 1130	(B,132,48)	RS1/16SS103J
R 1058	(A,122,59)	RS1/16SS103J	R 1132	(A,127,55)	RS1/16SS0R0J
R 1059	(A,121,61)	RS1/16SS103J	R 1133	(A,125,55)	RS1/16SS0R0J
R 1061	(A,129,58)	RS1/16SS152J	R 1134	(A,127,53)	RS1/16SS0R0J
R 1062	(A,122,60)	RS1/16SS103J	R 1135	(A,125,54)	RS1/16SS0R0J
R 1063	(A,123,55)	RS1/16SS0R0J	R 1136	(A,127,54)	RS1/16SS0R0J
R 1064	(A,166,50)	RS1/16SS330J	R 1137	(A,158,47)	RS1/16SS561J
R 1065	(A,159,50)	RS1/16SS330J	R 1138	(A,164,45)	RS1/16SS561J
R 1066	(A,158,50)	RS1/16SS330J	R 1139	(A,125,53)	RS1/16SS0R0J
R 1068	(B,129,49)	RS1/16SS101J	R 1140	(A,150,68)	RS1/16SS471J
R 1069	(B,132,49)	RS1/16SS101J	R 1141	(A,149,68)	RS1/16SS471J
R 1071	(A,131,48)	RS1/16SS101J	R 1142	(A,155,47)	RS1/16SS101J
R 1072	(A,131,49)	RS1/16SS101J	R 1145	(B,128,56)	RS1/16SS0R0J
R 1073	(B,130,49)	RS1/16SS101J	R 1146	(B,130,56)	RS1/16SS0R0J
R 1075	(A,131,47)	RS1/16SS101J	R 1147	(B,127,56)	RS1/16SS0R0J
R 1077	(B,135,48)	RS1/16SS0R0J	R 1148	(B,128,57)	RS1/16SS0R0J
R 1079	(B,139,51)	RS1/16SS82R0D	R 1149	(B,131,56)	RS1/16SS0R0J
R 1080	(B,137,48)	RS1/16SS82R0D	R 1150	(B,129,56)	RS1/16SS0R0J
R 1086	(A,159,49)	RS1/16SS330J	R 1159	(A,158,64)	RS1/16SS331J
R 1087	(B,154,83)	RS1/16SS0R0J	R 1160	(A,158,65)	RS1/16SS331J
R 1088	(B,153,80)	RS1/16SS0R0J	R 1161	(A,156,64)	RS1/16SS331J
R 1089	(A,132,69)	RS1/16SS102J	R 1162	(A,158,63)	RS1/16SS331J
R 1090	(A,131,69)	RS1/16SS102J	R 1163	(A,158,62)	RS1/16SS331J
R 1091	(A,140,68)	RS1/16SS221J	R 1164	(A,158,61)	RS1/16SS331J
R 1093	(A,156,63)	RS1/16SS331J	R 1165	(A,156,59)	RS1/16SS331J
R 1094	(A,156,62)	RS1/16SS331J	R 1166	(A,156,65)	RS1/16SS331J
R 1095	(A,158,49)	RS1/16SS330J	R 1167	(B,139,39)	RS1/16SS100J
R 1096	(A,159,48)	RS1/16SS561J	R 1168	(B,142,38)	RS1/16SS100J
R 1097	(A,122,62)	RS1/16SS0R0J	R 1169	(B,137,39)	RS1/16SS100J
R 1098	(B,151,50)	RS1/16SS0R0J	R 1170	(B,139,38)	RS1/16SS100J
R 1099	(A,145,41)	RS1/16SS100J	R 1171	(B,143,39)	RS1/16SS100J
R 1100	(A,144,41)	RS1/16SS100J	R 1172	(B,141,38)	RS1/16SS100J
R 1101	(B,145,39)	RS1/16SS100J	R 1173	(A,142,41)	RS1/16SS100J
R 1102	(B,140,39)	RS1/16SS100J	R 1174	(A,143,41)	RS1/16SS100J
R 1103	(A,143,39)	RS1/16SS100J	R 1175	(A,127,52)	RS1/16SS0R0J
R 1104	(B,143,38)	RS1/16SS100J	R 1176	(B,153,64)	RS1/16SS471J
R 1105	(B,140,38)	RS1/16SS100J	R 1177	(A,131,54)	RS1/16SS103J
R 1106	(A,158,48)	RS1/16SS330J	R 1178	(B,159,74)	RS1/16SS101J
R 1107	(B,149,39)	RS1/16SS100J	R 1179	(A,164,46)	RS1/16SS561J
R 1108	(B,147,40)	RS1/16SS100J	R 1180	(A,166,46)	RS1/16SS561J
R 1109	(B,148,39)	RS1/16SS100J	R 1181	(A,159,47)	RS1/16SS561J

	1	2	3	4
	<u>Circuit Symbol and No.</u>	<u>Part No.</u>	<u>Circuit Symbol and No.</u>	<u>Part No.</u>
A	R 1182 (A,166,44)	RS1/16SS561J	R 1330 (B,95,67)	RS1/16SS224J
	R 1183 (A,166,45)	RS1/16SS561J	R 1331 (B,90,63)	RS1/16SS822J
	R 1184 (A,164,44)	RS1/16SS561J	R 1332 (B,87,66)	RS1/10SR0R0J
	R 1185 (A,158,46)	RS1/16SS561J	R 1333 (B,93,65)	RS1/16SS1101D
	R 1186 (A,164,43)	RS1/16SS561J	R 1334 (B,94,65)	RS1/16SS2701D
B	R 1187 (A,158,45)	RS1/16SS561J	R 1335 (B,92,65)	RS1/16SS2702D
	R 1188 (A,159,46)	RS1/16SS561J	R 1336 (B,93,63)	RS1/16SS511J
	R 1189 (A,158,44)	RS1/16SS561J	R 1337 (B,97,74)	RS1/16SS101J
	R 1190 (A,159,45)	RS1/16SS561J	R 1338 (B,97,67)	RS1/16SS101J
	R 1191 (A,131,62)	RS1/16SS330J	R 1339 (B,95,63)	RS1/16SS0R0J
C	R 1192 (B,133,57)	RS1/16SS472J	R 1340 (B,96,79)	RS1/16SS204J
	R 1193 (B,135,58)	RS1/16SS102J	R 1341 (B,97,79)	RS1/16SS394J
	R 1194 (A,156,67)	RS1/16SS103J	R 1342 (B,97,76)	RS1/16SS101J
	R 1196 (A,158,60)	RS1/16SS221J	R 1343 (B,96,74)	RS1/16SS103J
	R 1197 (A,123,51)	RS1/16SS121J	R 1344 (B,96,76)	RS1/16SS103J
D	R 1198 (A,121,52)	RS1/16SS121J	R 1361 (A,80,60)	RS1/16SS0R0J
	R 1199 (A,123,49)	RS1/16SS121J	R 1362 (A,81,60)	RS1/16SS102J
	R 1200 (A,121,50)	RS1/16SS121J	R 1365 (B,83,32)	RS1/16SS102J
	R 1201 (B,128,26)	RS1/16SS82R0D	R 1366 (B,83,31)	RS1/16SS102J
	R 1202 (B,128,24)	RS1/16SS82R0D	R 1367 (B,84,37)	RS1/16SS0R0J
E	R 1203 (A,123,50)	RS1/16SS121J	R 1372 (A,124,16)	RS1/16SS102J
	R 1204 (B,155,26)	RS1/16SS82R0D	R 1383 (B,104,103)	RS1/16SS102J
	R 1205 (B,153,24)	RS1/16SS82R0D	R 1384 (B,101,98)	RS1/16SS102J
	R 1206 (A,121,51)	RS1/16SS121J	R 1388 (B,93,96)	RS1/16SS102J
	R 1207 (B,144,44)	RS1/16SS100J	R 1389 (B,93,97)	RS1/16SS102J
F	R 1208 (B,145,44)	RS1/16SS100J	R 1396 (A,124,72)	RS1/10SR0R0J
	R 1209 (B,145,29)	RS1/16SS431J	R 1397 (A,119,85)	RS1/16SS102J
	R 1210 (A,123,48)	RS1/16SS121J	R 1399 (B,113,48)	RS1/16SS102J
	R 1211 (A,121,49)	RS1/16SS121J	R 1400 (B,111,49)	RS1/10SR681J
	R 1212 (A,123,47)	RS1/16SS121J	R 1402 (A,106,44)	RS1/16SS564J
G	R 1213 (A,121,48)	RS1/16SS121J	R 1403 (A,109,44)	RS1/16SS123J
	R 1214 (A,121,46)	RS1/16SS121J	R 1404 (A,108,44)	RS1/16SS224J
	R 1215 (A,123,46)	RS1/16SS121J	R 1405 (A,103,54)	RS1/16SS5R6J
	R 1216 (A,121,47)	RS1/16SS121J	R 1406 (A,113,48)	RS1/16SS6800D
	R 1217 (A,121,45)	RS1/16SS121J	R 1407 (A,111,47)	RS1/16SS1302D
H	R 1218 (A,123,45)	RS1/16SS121J	R 1408 (A,111,45)	RS1/16SS6801D
	R 1219 (A,121,43)	RS1/16SS121J	R 1409 (A,109,54)	RS1/16SS5R6J
	R 1220 (A,123,43)	RS1/16SS121J	R 1411 (A,104,47)	RS1/16SS102J
	R 1221 (A,121,44)	RS1/16SS121J	R 1412 (A,117,68)	RS1/16SS102J
	R 1222 (A,123,44)	RS1/16SS121J	R 1415 (A,113,49)	RS1/16SS0R0J
I	R 1223 (A,125,40)	RS1/16SS221J	R 1416 (A,103,46)	RS1/16SS471J
	R 1225 (A,123,42)	RS1/16SS121J	R 1420 (A,101,46)	RS1/16SS102J
	R 1227 (A,147,70)	RS1/16SS473J	R 1421 (A,105,45)	RS1/16SS102J
	R 1228 (B,152,54)	RS1/16SS680J	R 1431 (A,105,12)	RS1/10SR121J
	R 1229 (A,152,67)	RS1/16SS221J	R 1432 (A,106,9)	RS1/16SS473J
J	R 1230 (A,148,70)	RS1/16SS221J	R 1433 (A,98,17)	RS1/16SS220J
	R 1241 (B,161,63)	RS1/16SS103J	R 1434 (A,68,60)	RS1/16SS221J
	R 1242 (B,164,63)	RS1/16SS103J	R 1435 (A,67,60)	RS1/16SS221J
	R 1243 (B,164,38)	RS1/8SQ0R0J	R 1436 (A,65,60)	RS1/16SS221J
	R 1301 (A,40,71)	RS1/16SS391J	R 1437 (A,63,60)	RS1/16SS473J
K	R 1302 (A,50,74)	RS1/16SS911J	R 1438 (A,63,58)	RS1/16SS103J
	R 1312 (A,24,33)	RS1/16SS0R0J	R 1439 (A,65,57)	RS1/16SS0R0J
	R 1321 (B,95,83)	RS1/16SS0R0J	R 1441 (B,71,80)	RS1/16SS681J
	R 1322 (B,93,83)	RS1/16SS561J	R 1442 (B,69,66)	RS1/16SS0R0J
	R 1323 (B,93,81)	RS1/16SS3302D	R 1443 (B,68,66)	RS1/16SS3003D
L	R 1324 (B,94,81)	RS1/16SS4301D	R 1444 (B,66,65)	RS1/16SS1102D
	R 1325 (B,95,81)	RS1/16SS3601D	R 1445 (B,64,73)	RS1/16SS512J
	R 1326 (B,87,80)	RS1/10SR0R0J	R 1446 (B,64,72)	RS1/16SS0R0J
	R 1327 (B,90,83)	RS1/16SS822J	R 1447 (B,62,68)	RS1/16SS621J
	R 1328 (B,94,79)	RS1/16SS0R0J	R 1448 (B,69,69)	RS1/16SS0R0J

5		6		7		8	
<u>Circuit Symbol and No.</u>		<u>Part No.</u>		<u>Circuit Symbol and No.</u>		<u>Part No.</u>	
R 1449	(B,69,71)	RS1/10SR4701D		C 101	(A,107,109)	CKSQYB104K50	
R 1451	(B,59,67)	RS1/16SS0R0J		C 103	(A,92,111) 10 uF	CCG1236	
R 1471	(A,24,44)	RS1/16SS0R0J		C 104	(A,102,113)	CKSQYB225K10	
R 1474	(A,29,57)	RS1/16SS0R0J		C 105	(A,102,110)	CKSQYB225K10	A
R 1481	(B,111,47)	RS1/10SR681J		C 106	(A,94,112) 0.47 uF	CCG1328	
R 2001	(B,24,35)	RS1/16SS750J		C 107	(A,95,112) 0.47 uF	CCG1328	
R 2012	(B,61,43)	RS1/16SS750J		C 108	(A,98,112) 0.47 uF	CCG1328	
R 2013	(B,64,41)	RS1/10SR0R0J		C 109	(A,100,112) 0.47 uF	CCG1328	
R 2014	(B,69,42)	RS1/10SR0R0J		C 110	(B,94,108) 0.47 uF	CCG1328	
R 2017	(B,71,44)	RS1/16SS223J		C 111	(B,96,108) 0.47 uF	CCG1328	
R 2018	(B,68,44)	RS1/16SS223J		C 112	(B,98,108) 0.47 uF	CCG1328	
R 2031	(B,49,45)	RS1/16SS821J		C 113	(B,99,108) 0.47 uF	CCG1328	
R 2032	(B,55,44)	RS1/16SS472J		C 121	(A,86,99)	CEAT332M16	
R 2033	(B,51,39)	RS1/16SS223J		C 131	(A,97,96)	CEVW101M16	
R 2034	(B,55,43)	RS1/16SS472J		C 132	(A,101,106)	CKSQYB475K6R3	B
R 2035	(B,53,39)	RS1/16SS223J		C 133	(A,87,110) 10 uF	CCG1192	
R 2036	(B,55,42)	RS1/16SS821J		C 134	(A,79,110)	CKSRYB104K50	
R 2041	(A,161,32)	RS1/10SR102J		C 152	(B,56,102)	CKSRYB104K50	
R 2042	(A,163,38)	RS1/10SR102J		C 153	(B,56,100)	CKSRYB474K16	
R 2052	(B,103,36)	RAB4CQ750J		C 156	(B,62,120)	CKSRYB105K10	
R 2055	(A,106,36)	RS1/16SS223J		C 158	(B,66,124)	CKSRYB104K50	
R 2056	(A,111,38)	RS1/10SR102J		C 181	(B,53,95)	CKSRYB105K10	
R 2057	(A,113,38)	RS1/10SR102J		C 182	(B,49,96)	CKSRYB105K10	
R 2058	(A,115,36)	RS1/10SR471J		C 183	(B,28,95)	CKSRYB105K10	
R 2059	(A,118,36)	RS1/10SR471J		C 184	(B,49,94)	CKSRYB105K10	C
R 2061	(A,107,36)	RS1/16SS223J		C 185	(B,28,92)	CKSRYB105K10	
R 2071	(B,154,39)	RS1/16SS150J		C 186	(B,53,93)	CKSRYB105K10	
R 2072	(B,156,38)	RS1/16SS470J		C 187	(B,32,94)	CKSRYB105K10	
R 2073	(B,152,42)	RS1/16SS101J		C 188	(B,49,92)	CKSRYB105K10	
R 2074	(B,154,40)	RS1/16SS101J		C 189	(B,49,91)	CKSRYB105K10	
R 2075	(B,153,45)	RS1/16SS102J		C 190	(B,48,102)	CKSRYB105K10	
R 2077	(B,146,39)	RS1/16SS181J		C 191	(B,44,104)	CKSRYB105K10	
R 2078	(B,137,35)	RS1/16SS181J		C 192	(B,32,101)	CKSRYB105K10	
R 2079	(B,135,36)	RS1/16SS223J		C 193	(B,32,99)	CKSRYB105K10	
R 2080	(B,144,39)	RS1/16SS223J		C 194	(B,32,98)	CKSRYB105K10	
R 2081	(B,144,37)	RS1/16SS102J		C 195	(B,51,88)	CKSQYB225K10	D
R 2082	(B,135,38)	RS1/16SS102J		C 196	(B,45,88)	CKSRYB474K16	
R 2091	(A,52,58)	RS1/16SS681J		C 197	(A,37,91) 10 uF	CCG1192	
R 2092	(A,55,57)	RS1/16SS473J		C 198	(B,41,88)	CKSSYB104K10	
R 2093	(A,53,57)	RS1/16SS473J		C 199	(A,43,96) 10 uF	CCG1192	
R 2101	(B,113,63)	RS1/16SS102J		C 200	(B,32,92)	CKSSYB104K10	
R 2122	(A,149,52)	RS1/16SS102J		C 202	(B,39,105)	CKSRYB104K16	
R 2123	(A,150,52)	RS1/16SS102J		C 203	(A,42,103) 10 uF	CCG1236	
R 2128	(A,143,52)	RS1/16SS681J		C 204	(A,42,108) 10 uF	CCG1236	
R 2131	(A,142,52)	RS1/16SS681J		C 205	(B,50,100)	CCSQCH223J50	
R 2133	(A,144,52)	RS1/16SS681J		C 206	(B,50,98)	CCSQCH223J50	
R 2135	(A,145,52)	RS1/16SS681J		C 210	(B,28,93)	CKSRYB105K10	E
R 2139	(A,158,60)	RS1/16SS102J		C 212	(B,53,98)	CKSRYB105K10	
R 2142	(A,158,64)	RS1/16SS0R0J		C 213	(B,32,96)	CKSRYB105K10	
R 2146	(B,143,64)	RS1/16SS101J		C 233	(B,47,59)	CCSSCH101J50	
R 2148	(B,135,62)	RS1/16SS101J		C 234	(B,37,60)	CKSSYB105K6R3	
R 2161	(A,108,40)	RS1/10SR272J		C 237	(B,39,61)	CKSRYB105K10	
R 2162	(A,110,40)	RS1/10SR272J		C 238	(B,52,60)	CCSSCH101J50	
R 2163	(A,109,42)	RS1/10SR562J		C 239	(B,53,62)	CKSRYB104K16	
R 2164	(B,42,48)	RS1/16SS102J		C 241	(A,51,62)	CKSQYB225K10	
R 2165	(B,116,34)	RS1/16SS103J		C 242	(A,53,62)	CKSQYB225K10	
				C 243	(A,59,69)	CKSRYB104K16	F
				C 246	(A,55,64)	CCSSCH101J50	
				C 247	(A,56,59)	CKSQYB225K10	
				C 261	(B,39,69)	CKSRYB105K10	

**CAPACITORS**

1

2

3

4

**Circuit Symbol and No.****Part No.****Circuit Symbol and No.****Part No.**

	C 262	(B,48,70)	CKSRYB105K10				
	C 263	(B,48,79)	CKSRYB105K10	C 482	(B,132,87)	CKSSYB102K50	
	C 264	(B,48,84)	CKSRYB105K10	C 483	(B,131,90)	CKSSYB103K25	
A	C 265	(B,32,78)	CKSSYB104K16	C 484	(A,134,93) 10 uF	CCG1192	
	C 266	(B,33,75)	CKSSYB104K16	C 485	(B,136,99)	CKSSYB104K10	
				C 486	(A,138,90) 10 uF	CCG1192	
	C 267	(B,33,76)	CKSSYB104K16				
	C 268	(B,33,77)	CKSSYB104K16	C 487	(B,137,99)	CKSSYB104K10	
	C 269	(B,32,79)	CKSSYB104K16	C 488	(B,135,79) 10 uF	CCG1192	
	C 270	(B,32,80)	CKSSYB104K16	C 489	(B,137,82)	CKSRYB105K16	
	C 271	(B,32,81)	CKSSYB104K16	C 490	(A,138,86)	CKSSYB104K10	
				C 491	(B,138,82)	CKSSYB104K10	
	C 272	(B,34,82)	CKSSYB104K16				
	C 273	(B,38,84)	CKSSYB104K16	C 492	(B,139,99)	CKSSYB104K10	
	C 274	(B,33,85) 10 uF	CCG1192	C 493	(B,140,82)	CKSSYB104K10	
	C 275	(B,40,84)	CKSSYB104K16	C 494	(B,142,99)	CKSSYB104K10	
B	C 276	(B,37,84)	CKSSYB104K16	C 495	(B,143,99)	CKSSYB104K10	
				C 496	(B,144,78)	CCSSCH4R0C50	
	C 277	(B,38,86) 10 uF	CCG1192				
	C 279	(B,43,84)	CKSSYB104K16	C 497	(B,141,81)	CCSSCH5R0C50	
	C 280	(B,38,69)	CKSRYB105K10	C 498	(B,148,88)	CKSSYB104K10	
	C 281	(B,42,85) 10 uF	CCG1192	C 499	(B,148,89)	CKSSYB104K10	
	C 282	(B,41,70)	CKSRYB105K10	C 500	(B,150,87)	CKSSYB103K16	
				C 501	(A,139,88) 10 uF	CCG1192	
	C 283	(B,43,70)	CKSRYB105K10				
	C 284	(B,44,70)	CKSRYB105K10	C 502	(B,131,87)	CKSSYB103K16	
	C 285	(B,46,70)	CKSRYB105K10	C 503	(B,131,94)	CKSSYB103K16	
	C 286	(B,38,71)	CKSSYB104K16	C 504	(B,135,82)	CKSSYB103K16	
	C 287	(A,43,79)	CKSRYB105K10	C 511	(A,138,85)	CKSSYB103K16	
C				C 512	(A,142,96)	CKSRYB105K10	
	C 288	(B,48,69)	CKSRYB105K10				
	C 289	(B,48,72)	CKSRYB105K10	C 513	(A,139,94)	CKSRYB105K10	
	C 290	(B,48,73)	CKSRYB105K10	C 514	(A,142,90)	CKSSYB104K10	
	C 295	(A,46,92)	CCSSCH271J50	C 521	(B,107,41)	CKSSYB104K10	
	C 299	(B,48,75)	CKSRYB105K10	C 522	(B,103,45)	CKSSYB104K10	
	C 300	(B,48,76)	CKSRYB105K10	C 523	(B,101,48)	CKSSYB104K10	
	C 301	(B,48,78)	CKSRYB105K10	C 524	(A,103,41)	CKSSYB104K10	
	C 302	(B,48,81)	CKSRYB105K10	C 526	(B,103,40)	CKSSYB104K10	
	C 304	(B,33,73)	CKSSYB104K16	C 530	(B,90,44) 10 uF	CCG1192	
	C 305	(B,33,72)	CKSSYB104K16	C 531	(B,97,40)	CKSSYB104K10	
	C 306	(B,48,82)	CKSRYB105K10	C 532	(B,97,44)	CKSSYB104K10	
D							
	C 307	(B,48,85)	CKSRYB105K10	C 533	(A,99,41)	CKSSYB104K10	
	C 309	(B,46,86)	CKSSYB104K16	C 571	(A,20,16) 0.1 uF	CCG1321	
	C 310	(B,33,74)	CKSSYB104K16	C 572	(A,18,23) 0.1 uF	CCG1321	
	C 311	(B,32,83)	CKSSYB104K16	C 591	(A,82,41)	CKSRYB105K10	
	C 312	(B,32,82)	CKSSYB104K16	C 592	(A,85,41)	CKSRYB105K10	
	C 401	(B,167,33)	CKSSYB104K10	C 593	(A,89,41)	CKSRYB105K10	
	C 402	(B,165,25)	CKSSYB104K10	C 594	(A,93,41)	CKSRYB105K10	
	C 421	(A,153,77)	CKSQYB475K6R3	C 595	(A,77,53)	CKSSYB105K6R3	
	C 422	(A,153,81)	CKSQYB475K6R3	C 596	(A,91,41)	CKSRYB105K10	
	C 423	(A,148,74)	CKSSYB104K10	C 597	(A,87,41)	CKSRYB105K10	
E							
	C 424	(A,149,84) 10 uF	CCG1192	C 598	(A,84,41)	CKSRYB105K10	
	C 425	(A,153,87)	CKSQYB475K6R3	C 599	(A,97,45)	CKSRYB105K10	
	C 426	(A,153,83)	CKSQYB475K6R3	C 601	(A,33,59)	CCSSCH101J50	
	C 427	(A,157,89)	CKSSYB104K10	C 602	(A,31,59)	CCSSCH101J50	
	C 428	(A,157,79) 10 uF	CCG1192	C 603	(A,32,59)	CCSSCH101J50	
	C 472	(A,127,84)	CKSSYB104K10	C 604	(B,57,39)	CKSRYB105K10	
	C 473	(B,130,91)	CKSSYB224K6R3	C 605	(A,55,40)	CCSSCH180J50	
	C 474	(B,130,92)	CKSSYB224K6R3	C 606	(A,54,37)	CCSSCH180J50	
	C 475	(B,131,91)	CKSSYB224K6R3	C 607	(B,51,50)	CKSSYB104K10	
	C 476	(B,130,88)	CKSRYB105K16	C 608	(B,53,29)	CKSSYB104K10	
F							
	C 477	(B,129,93)	CKSRYB105K16	C 609	(B,55,37)	CKSSYB104K10	
	C 478	(B,132,94)	CKSSYB102K50	C 610	(B,49,36)	CKSQYB475K6R3	
	C 479	(B,131,95)	CKSRYB105K16	C 611	(A,52,27)	CKSSYB104K10	
	C 480	(B,135,83)	CKSSYB102K50	C 612	(A,45,27)	CKSSYB103K16	
	C 481	(B,132,85)	CKSRYB105K16	C 613	(A,39,27)	CKSSYB104K10	

1

2

3

4

5		6		7		8	
<u>Circuit Symbol and No.</u>		<u>Part No.</u>		<u>Circuit Symbol and No.</u>		<u>Part No.</u>	
C 614	(B,39,55)	CKSSYB104K10		C 907	(B,28,74)	CKSRYB104K16	
C 615	(B,30,36)	CKSSYB104K10		C 909	(A,17,40) 10 uF	CCG1192	
C 619	(B,83,22)	CKSSYB104K10		C 910	(A,18,51) 10 uF	CCG1192	A
C 626	(A,43,25)	CKSSYB471K50		C 912	(A,17,82)	CKSSYB104K10	
C 702	(A,72,25)	CKSQYB475K6R3		C 913	(A,22,81)	CEVW101M16	
C 703	(A,70,25)	CKSQYB475K6R3		C 918	(B,18,84)	CCSSCK2R0C50	
C 704	(A,93,16)	CKSRYB105K10		C 919	(B,21,60)	CCSSCH220J50	
C 705	(B,53,27)	CKSSYB222K50		C 951	(B,169,102) 10 uF	CCG1192	
C 711	(A,84,24)	CKSRYB105K10		C 952	(B,155,98)	CKSSYB104K10	
C 761	(B,137,111)	CKSRYB104K50		C 953	(B,163,104)	CKSSYB104K10	
C 762	(B,114,111)	CKSRYB104K50		C 954	(B,161,104)	CKSSYB104K10	
C 781	(A,29,112) 4.7 uF	CCG1201		C 955	(B,167,98)	CKSSYB103K16	
C 782	(A,43,112) 4.7 uF	CCG1201		C 956	(B,155,96)	CKSSYB103K16	
C 783	(A,27,112) 4.7 uF	CCG1201		C 957	(B,153,96) 10 uF	CCG1192	B
C 784	(A,38,112) 4.7 uF	CCG1201		C 958	(B,154,96)	CKSSYB103K16	
C 785	(A,33,112) 4.7 uF	CCG1201		C 959	(B,161,93)	CKSSYB103K16	
C 786	(A,45,112) 4.7 uF	CCG1201		C 960	(B,154,101) 10 uF	CCG1192	
C 788	(A,22,113)	CKSSYB102K50		C 961	(B,167,94)	CKSSYB102K50	
C 831	(B,129,110)	CKSSYB681K50		C 1002	(A,157,73)	CCSSCH100D50	
C 832	(B,129,113) 47 uF	CCG1251		C 1003	(B,168,68)	CCSSCH120J50	
C 833	(B,134,106) 47 uF	CCG1251		C 1004	(B,130,68) 4.7 uF	CCG1201	
C 834	(B,129,100)	CKSSYB104K10		C 1005	(B,128,65) 4.7 uF	CCG1201	
C 835	(B,119,102)	CKSSYB681K50		C 1006	(B,131,59) 4.7 uF	CCG1201	
C 836	(B,115,107) 47 uF	CCG1251		C 1007	(B,131,60) 4.7 uF	CCG1201	
C 837	(B,124,96) 47 uF	CCG1251		C 1008	(B,132,64) 4.7 uF	CCG1201	C
C 838	(B,119,92)	CKSSYB104K10		C 1009	(B,136,66)	CKSSYB104K10	
C 839	(B,111,96)	CKSYB225K25		C 1010	(B,136,64)	CKSSYB104K10	
C 840	(B,116,92)	CKSSYB103K16		C 1011	(B,135,60)	CKSSYB104K10	
C 841	(B,111,101)	CKSSYB103K25		C 1012	(B,140,62)	CKSSYB104K10	
C 842	(A,128,99) 47 uF	CCG1251		C 1013	(B,139,62)	CKSSYB104K10	
C 844	(B,126,111)	CKSRYB105K16		C 1014	(B,152,58)	CCSSCH180J50	
C 846	(B,114,104)	CKSRYB105K16		C 1015	(A,155,69)	CCSSCH100D50	
C 847	(A,140,110) 47 uF	CCG1251		C 1016	(B,163,67)	CCSSCH6R0D50	
C 848	(A,140,103) 47 uF	CCG1251		C 1017	(B,133,68)	CKSSYB104K10	
C 853	(A,153,116)	CKSRYB104K50		C 1018	(B,135,64)	CKSSYB104K10	
C 854	(B,150,104)	CKSRYB104K50		C 1019	(B,134,59)	CKSSYB104K10	D
C 855	(B,121,106)	CKSYB225K25		C 1020	(B,133,61)	CKSSYB104K10	
C 856	(B,127,100)	CKSSYB103K16		C 1021	(B,134,63)	CKSSYB104K10	
C 857	(B,123,110)	CKSSYB103K25		C 1026	(A,161,73)	CKSSYB104K10	
C 858	(A,130,105) 47 uF	CCG1251		C 1027	(B,163,72)	CKSSYB104K10	
C 859	(A,113,100) 47 uF	CCG1256		C 1028	(B,147,66)	CKSSYB104K10	
C 860	(A,116,110) 47 uF	CCG1256		C 1029	(B,147,67) 4.7 uF	CCG1201	
C 861	(A,120,111)	CKSSYB681K50		C 1030	(B,143,67) 4.7 uF	CCG1201	
C 862	(A,114,97)	CKSSYB681K50		C 1031	(B,143,66)	CKSSYB104K10	
C 871	(B,118,36)	CCSSCH100D50		C 1032	(B,141,62)	CKSSYB104K10	
C 872	(B,116,36)	CCSSCH100D50		C 1033	(B,142,62)	CKSSYB104K10	E
C 873	(B,107,36)	CCSSCH100D50		C 1034	(A,129,67)	CCSSCH120J50	
C 874	(B,103,36)	CCSSCH100D50		C 1035	(A,125,65)	CCSSCH8R0D50	
C 875	(B,102,36)	CCSSCH100D50		C 1036	(B,147,62)	CKSSYB104K10	
C 876	(B,126,18)	CKSSYB104K10		C 1037	(B,148,62)	CKSSYB104K10	
C 877	(B,123,36)	CKSSYB104K10		C 1038	(B,149,62)	CKSSYB104K10	
C 878	(B,126,13)	CKSSYB104K10		C 1039	(B,138,60)	CKSSYB104K10	
C 879	(B,117,42)	CKSSYB104K10		C 1040	(B,136,59)	CKSSYB104K10	
C 880	(B,127,9)	CKSRYB104K16		C 1041	(A,129,60)	CCSSCH100D50	
C 901	(B,21,70)	CKSQYB225K10		C 1042	(B,150,59)	CKSSYB104K10	
C 902	(B,20,73)	CKSQYB225K10		C 1043	(B,150,58)	CKSSYB104K10	F
C 903	(B,26,69)	CKSSYB681K50		C 1044	(B,150,57)	CKSSYB104K10	
C 904	(B,20,76)	CKSQYB225K10		C 1045	(A,125,57)	CCSSCH9R0D50	
C 905	(B,21,80)	CKSQYB225K10		C 1046	(B,150,56)	CKSSYB104K10	
C 906	(B,25,78)	CKSSYB681K50		C 1047	(B,136,56)	CKSSYB104K10	

	1		2		3		4	
	<u>Circuit Symbol and No.</u>		<u>Part No.</u>		<u>Circuit Symbol and No.</u>		<u>Part No.</u>	
A	C 1048	(B,150,55)	CKSSYB104K10	C 1211	(B,135,33)	CKSSYB104K10		
	C 1049	(B,136,55)	CKSSYB104K10	C 1212	(B,135,31)	CKSSYB104K10		
	C 1050	(B,136,54)	CKSSYB104K10	C 1213	(B,133,31)	CKSSYB104K10		
	C 1051	(B,136,53)	CKSSYB104K10	C 1214	(B,135,30)	CKSSYB104K10		
	C 1052	(B,136,52)	CKSSYB104K10	C 1215	(B,137,29)	CKSSYB104K10		
	C 1053	(B,150,52)	CKSSYB104K10	C 1216	(B,133,28)	CKSSYB104K10		
	C 1054	(B,136,51)	CKSSYB104K10	C 1217	(A,137,26)	CKSSYB104K10		
	C 1055	(B,150,51)	CKSSYB104K10	C 1218	(A,137,23)	CKSSYB104K10		
	C 1056	(B,136,50)	CKSSYB104K10	C 1219	(B,154,26)	CKSSYB104K10		
	C 1057	(B,150,50)	CKSSYB104K10	C 1220	(B,154,24)	CKSSYB104K10		
B	C 1058	(B,126,48) 4.7 uF	CCG1201	C 1221	(B,150,33)	CKSSYB104K10		
	C 1059	(B,150,46)	CKSSYB104K10	C 1222	(B,150,31)	CKSSYB104K10		
	C 1060	(B,148,48)	CKSSYB104K10	C 1223	(B,153,31)	CKSSYB104K10		
	C 1061	(B,147,48)	CKSSYB104K10	C 1224	(B,150,30)	CKSSYB104K10		
	C 1062	(B,144,48)	CKSSYB104K10	C 1225	(B,151,28)	CKSSYB104K10		
	C 1063	(B,143,48)	CKSSYB104K10	C 1226	(B,152,27)	CKSSYB104K10		
	C 1064	(B,142,48)	CKSSYB104K10	C 1227	(A,148,25)	CKSSYB104K10		
	C 1065	(B,141,48)	CKSSYB104K10	C 1228	(A,150,18)	CKSSYB104K10		
	C 1066	(B,140,48)	CKSSYB104K10	C 1229	(B,157,33)	CKSSYB104K10		
	C 1067	(B,139,48)	CKSSYB104K10	C 1230	(B,157,31)	CKSSYB104K10		
C	C 1068	(B,134,46)	CKSSYB104K10	C 1231	(B,155,31)	CKSSYB104K10		
	C 1069	(B,147,50)	CKSSYB104K10	C 1232	(B,157,30)	CKSSYB104K10		
	C 1070	(B,146,48)	CKSSYB104K10	C 1233	(B,157,28)	CKSSYB104K10		
	C 1071	(B,147,57)	CKSSYB104K10	C 1234	(B,156,28)	CKSSYB104K10		
	C 1072	(B,140,59)	CKSSYB104K10	C 1235	(A,159,26)	CKSSYB104K10		
	C 1073	(B,138,57)	CKSSYB104K10	C 1236	(A,159,23)	CKSSYB104K10		
	C 1074	(B,140,51)	CKSSYB104K10	C 1237	(B,130,24)	CKSSYB105K6R3		
	C 1075	(B,147,56)	CKSSYB104K10	C 1238	(B,155,24)	CKSSYB105K6R3		
	C 1076	(B,141,51)	CKSSYB104K10	C 1239	(B,131,23) 10 uF	CCG1192		
	C 1078	(B,147,55)	CKSSYB104K10	C 1240	(B,157,25) 10 uF	CCG1192		
D	C 1079	(B,144,51)	CKSSYB104K10	C 1241	(B,161,38)	CKSSYB104K10		
	C 1080	(B,147,54)	CKSSYB104K10	C 1301	(A,38,64)	CKSSYB103K16		
	C 1081	(B,145,51)	CKSSYB104K10	C 1302	(A,53,72)	CKSSYB104K16		
	C 1082	(B,147,53)	CKSSYB104K10	C 1303	(A,22,69) Capacitor	CEVW470M16		
	C 1083	(B,138,53)	CKSSYB104K10	C 1304	(A,31,65) 0.1 uF	CCG1321		
	C 1084	(B,145,59)	CKSSYB104K10	C 1306	(A,45,64) Capacitor	CEVW331M16		
	C 1085	(B,138,54)	CKSSYB104K10	C 1307	(A,119,66)	CKSRYB102K50		
	C 1087	(B,144,59)	CKSSYB104K10	C 1311	(A,168,83) 0.1 uF	CCG1321		
	C 1088	(B,141,59)	CKSSYB104K10	C 1312	(A,168,93)	CEVW101M16		
	C 1089	(B,138,56)	CKSSYB104K10	C 1313	(A,169,78)	CKSYB105K35		
E	C 1090	(B,138,55)	CKSSYB104K10	C 1314	(A,165,77)	CKSYB475K16		
	C 1093	(B,145,61) 4.7 uF	CCG1201	C 1321	(B,106,73)	CKSSYB102K50		
	C 1094	(B,159,73)	CKSSYB104K10	C 1322	(A,97,77)	CKSSYB102K50		
	C 1095	(B,138,51)	CKSSYB104K10	C 1323	(A,98,77)	CKSSYB104K16		
	C 1096	(B,138,48)	CKSSYB104K10	C 1324	(A,99,76) 10 uF	CCG1236		
	C 1097	(B,136,48)	CKSSYB105K6R3	C 1325	(A,102,76) 10 uF	CCG1236		
	C 1098	(B,145,48)	CKSSYB105K6R3	C 1326	(A,104,76) 47 uF	CCG1233		
	C 1099	(B,141,46) 10 uF	CCG1192	C 1327	(A,82,76) 10 uF	CCG1236		
	C 1105	(B,120,49) 10 uF	CCG1192	C 1328	(A,79,76) 10 uF	CCG1236		
	C 1108	(A,129,41)	CCSCH560J50	C 1329	(B,91,82)	CCSRCH561J50		
	C 1201	(B,129,26)	CKSSYB104K10	C 1330	(B,93,79)	CKSSYB104K10		
	C 1202	(B,129,24)	CKSSYB104K10	C 1331	(B,90,82)	CKSRYB103K50		
	C 1203	(B,128,33)	CKSSYB104K10	C 1332	(B,90,79)	CCSRCH8R0D50		
	C 1204	(B,128,31)	CKSSYB104K10	C 1333	(B,84,73)	CKSYB105K35		
	C 1205	(B,131,31)	CKSSYB104K10	C 1334	(B,88,80)	CKSSYB104K16		
F	C 1206	(B,128,30)	CKSSYB104K10	C 1335	(B,88,67)	CKSSYB104K16		
	C 1207	(B,128,28)	CKSSYB104K10	C 1336	(B,90,67)	CCSRCH100D50		
	C 1208	(B,131,28)	CKSSYB104K10	C 1337	(B,96,67)	CKSSYB103K16		
	C 1209	(A,126,26)	CKSSYB104K10	C 1338	(B,89,65)	CKSRYB103K50		
	C 1210	(A,128,19)	CKSSYB104K10	C 1339	(B,93,66)	CKSRYB105K10		

5  
**Circuit Symbol and No.**

6  
**Part No.**

7  
**Circuit Symbol and No.**

8  
**Part No.**

C 1340	(B,91,65)	CCSRCH681J50
C 1341	(A,68,82)	CKSSYB102K50
C 1342	(A,66,82) 10 uF	CCG1236
C 1343	(A,79,70) 10 uF	CCG1236
C 1344	(A,58,81)	CEAT332M16
C 1345	(A,82,70) 10 uF	CCG1236
C 1347	(A,104,69) 47 uF	CCG1256
C 1348	(A,99,69) 10 uF	DCH1165
C 1349	(A,102,69) 10 uF	DCH1165
C 1350	(A,98,69)	CKSSYB104K16
C 1351	(A,97,69)	CKSSYB102K50
C 1352	(A,96,69)	CCSSCH101J50
C 1361	(A,81,58)	CKSRYB105K10
C 1362	(A,91,58)	CKSRYB105K10
C 1365	(A,95,21)	CKSRYB104K16
C 1366	(A,90,23)	CEAT471M16
C 1371	(A,117,18)	CKSQYB475K6R3
C 1372	(A,121,18)	CKSQYB475K6R3
C 1381	(B,108,90)	CKSQYB475K6R3
C 1382	(B,98,94)	CKSQYB475K6R3
C 1385	(B,101,100)	CKSRYB105K10
C 1386	(B,101,102)	CKSRYB105K10
C 1391	(A,115,90)	CKSQYB475K6R3
C 1392	(A,115,78)	CKSQYB475K6R3
C 1393	(A,115,80) 10 uF	CCG1192
C 1396	(A,127,71) 10 uF	CCG1192
C 1397	(A,127,73) 10 uF	CCG1192
C 1401	(A,112,53) 10 uF	CCG1192
C 1402	(A,102,52) 10 uF	CCG1192
C 1403	(A,108,43)	CKSSYB392K50
C 1404	(A,107,44)	CKSSYB104K10
C 1405	(A,117,54) 10 uF	CCG1192
C 1406	(A,117,56) 10 uF	CCG1192
C 1407	(A,102,51) 10 uF	CCG1192
C 1408	(A,105,54)	CKSRYB681K50
C 1409	(A,111,48)	CCSSCH221J50
C 1410	(A,117,53) 10 uF	CCG1192
C 1411	(A,112,54)	CKSRYB103K50
C 1412	(A,110,66) 10 uF	CCG1192
C 1414	(A,119,71) 10 uF	CCG1192
C 1415	(A,121,71) 10 uF	CCG1192
C 1416	(A,112,51) 10 uF	CCG1192
C 1417	(A,102,49) 10 uF	CCG1192
C 1431	(A,100,15)	CKSSYB102K50
C 1432	(A,98,9)	CEVW101M16
C 1433	(A,105,8)	CKSRYB105K10
C 1434	(A,101,17)	CKSSYB104K10
C 1435	(A,111,27)	CKSSYB103K16
C 1436	(A,78,65) Capacitor	CEVLW100M16
C 1437	(A,75,60)	CKSSYB103K16
C 1441	(B,69,84)	CKSSYB104K16
C 1444	(B,68,67)	CKSSYB103K16
C 1445	(B,68,76) 4.7 uF	CCG1222
C 1446	(B,68,69)	CKSRYB104K16
C 1447	(B,65,65)	CKSSYB104K16
C 1448	(B,64,64) 4.7 uF	CCG1222
C 1449	(B,70,69)	CCSSCH271J50
C 1450	(B,62,65)	CKSSYB104K16
C 1463	(A,25,91) Capacitor	CEVW221M10
C 1464	(A,30,81)	CKSQYB225K10

C 1465	(A,31,84)	CKSRYB105K10
C 1471	(A,22,53) 10 uF	CCG1192
C 1472	(B,20,48) 2.2 uF	CCG1218
C 1473	(A,22,62) 10 uF	CCG1192
C 1474	(B,21,42)	CKSRYB105K10
C 1475	(B,24,42) 2.2 uF	CCG1218
C 1477	(B,27,47)	CKSRYB105K10
C 2001	(B,22,32)	CKSRYB104K50
C 2011	(B,71,41)	CKSRYB104K50
C 2012	(B,70,41)	CCSSCH101J50
C 2031	(B,52,46) 4.7 uF	CCG1201
C 2032	(B,57,44) 4.7 uF	CCG1201
C 2033	(B,48,45)	CCSSCH101J50
C 2041	(A,162,36)	CKSRYB104K50
C 2042	(A,166,36)	CKSRYB104K50
C 2073	(B,153,46)	CKSSYB104K10
C 2074	(B,150,37)	CKSRYB104K50
C 2075	(B,150,39)	CCSSCH101J50
C 2093	(A,52,56)	CKSSYB104K10
C 2101	(B,115,58) 4.7 uF	CCG1201
C 2102	(B,115,61)	CKSRYB105K10
C 2103	(A,116,48) Capacitor	CEVW220M16
C 2104	(A,110,51)	CKSRYB105K10
C 2113	(B,126,37)	CCSSCH101J50
C 2114	(B,129,35)	CCSSCH101J50
C 2126	(A,148,66) 10 uF	CCG1192
C 2127	(A,140,64) 10 uF	CCG1192
C 2129	(A,158,61)	CKSRYB105K10
C 2134	(A,166,58) Capacitor	CEVW221M4
C 2135	(A,166,51) Capacitor	CEVW221M4
C 2139	(A,141,43) 10 uF	CCG1192
C 2141	(A,148,38)	CKSSYB104K10
C 2144	(B,144,65)	CKSSYB104K10
C 2145	(A,148,36) 10 uF	CCG1192
C 2169	(A,105,38)	CKSQYB225K16
C 2170	(A,105,39)	CKSQYB225K16
C 2171	(A,105,41)	CKSQYB225K16
C 2172	(A,105,43)	CKSQYB225K16
C 2173	(A,108,44)	CKSQYB225K16

**Mother Unit(Service) (B,C,D,E,F,G)**

**Consists of**

**Mother PCB**

**IF PCB**

**Tuner PCB**

**ABD (B,C,D,E,F,G)**

**Unit Number : CXX4115(B)**

**Unit Number : CXX4116(C)**

**Unit Number : CXX4118(D)**

**Unit Number : CXX4119(E)**

**Unit Number : CXX4120(F)**

**Unit Number : CXX4121(G)**

**Unit Name : Mother Unit(Service)  
(B,C,D,E,F,G)**

**MISCELLANEOUS**

	1	2	3	4
	<u>Circuit Symbol and No.</u>	<u>Part No.</u>	<u>Circuit Symbol and No.</u>	<u>Part No.</u>
			Q 422	(B,155,77) Chip Transistor HN1C03FU
			Q 423	(B,156,85) Transistor RN4982
			Q 424	(B,156,88) Chip Transistor HN1C03FU
A	IC 101 (A,97,121) IC	PA2030A		
	IC 181 (B,40,96) IC	PML020A		
	IC 231 (B,48,63) IC	NJM4558V		
	IC 232 (A,59,64) IC	NJM4558V	Q 471	(A,131,86) Transistor 2SA1576A
	IC 261 (B,40,78) IC	AK4223VQ	Q 521	(B,97,48) Transistor 2SC4081
			Q 522	(B,100,46) Transistor 2SC4081
	IC 401 (B,168,29) IC	341S2162	Q 523	(B,107,42) Transistor 2SC4081
	IC 421 (A,148,78) D/A Converter	PCM1753DBQ	Q 524	(A,103,39) Transistor 2SC4081
	IC 422 (A,158,85) D/A Converter	PCM1753DBQ		
	IC 471 (B,139,91) V Pro SYS LSI	ML86V7675TBZ03A	Q 571	(A,25,12) Transistor RN4982
	IC 472 (A,142,93) IC	BH7673G	Q 572	(A,28,15) Chip Transistor HN1C03FU
			Q 591	(A,48,90) Transistor UMF23N
	IC 521 (A,96,41) IC	BH7673G	Q 601	(A,62,48) Transistor 2SC4081
	IC 522 (B,100,41) IC	BH7673G	Q 602	(B,83,19) Transistor 2SC4081
	IC 523 (B,94,41) IC	BH7673G	Q 771	(B,147,111) Transistor(C,D,E,F,G) 2SA1576A
B	IC 524 (B,94,44) IC	BH7673G		
	IC 601 (A,39,42) IC	PE5813A8	Q 781	(B,28,111) Chip Transistor HN1C03FU
			Q 782	(B,36,111) Chip Transistor HN1C03FU
	IC 602 (B,58,35) IC	S-80829CNMC-B8O	Q 783	(B,44,111) Chip Transistor HN1C03FU
	IC 771 (B,147,107) L-MOS And Gate(C,D,E,F,G)	TC7SET08FUS1	Q 821	(A,150,11) Transistor UMF23N
	IC 831 (B,128,105) IC	OZ529IGN	Q 822	(A,145,12) Transistor 2SA1576A
	IC 832 (B,117,97) IC	OZ529IGN		
	IC 901 (B,25,74) IC	NJM4558V	Q 871	(B,124,40) Chip Transistor 2SB1689
	IC 951 (B,161,98) IC	AK8814VQ	Q 1301	(A,33,71) Transistor 2SB1184F5
			Q 1302	(A,49,71) Transistor 2SD1664
	IC 1002 (A,159,72) Logic IC	TC7SHU04FUS1	Q 1321	(A,89,80) FET SFT1342
	IC 1003 (B,166,72) Logic IC	TC7SHU04FUS1	Q 1322	(A,89,66) FET SFT1342
	IC 1004 (A,143,55) IC	R8A77240D500BG1		
C	IC 1006 (B,158,69) Logic IC	TC74VHC125FK	Q 1361	(B,83,29) Chip Transistor 2SB1689
	IC 1201 (A,132,27) IC	H5PS5162GFR-S5C	Q 1362	(B,84,35) Digital Transistor DTC143ZUA
			Q 1381	(B,93,94) Transistor 2SA1576A
	IC 1202 (A,154,27) IC	H5PS5162GFR-S5C	Q 1382	(B,93,90) Digital Transistor DTC143ZUA
	IC 1241 (B,162,50) Flash ROM Unit(Service)	CXX4234	Q 1393	(B,112,45) Transistor 2SA1577
	IC 1301 (A,35,65) IC	S-812C33AUA-C2N		
	IC 1311 (A,165,80) IC	NJM2388F84	Q 1400	(B,109,47) Digital Transistor DTC143ZUA
	IC 1321 (B,90,73) IC	AN33012UA	Q 1401	(A,103,44) Transistor 2SC4081
			Q 1431	(A,112,11) Transistor 2SD2118
	IC 1361 (A,86,59) IC	S-1142B50I-E6	Q 1432	(A,97,15) Transistor DRC9A14E0
	IC 1371 (A,120,11) IC	NJM2886DL3-33	Q 1433	(A,65,59) Transistor UMF5N
	IC 1381 (B,102,94) IC	S-1172B33-E6		
	IC 1383 (B,104,101) IC	NJM2878F3-15	Q 1434	(A,71,59) Transistor DRC9A14E0
D	IC 1391 (A,116,86) IC	S-1172B33-E6	Q 1435	(A,68,64) Transistor 2SD1760F5
			Q 1441	(B,70,82) Transistor 2SC4081
	IC 1401 (A,107,49) IC	AL2010	Q 1442	(B,66,73) Power MOS FET XP151A11B0MR-G
	IC 1402 (A,114,71) IC	S-1172B13-E6	Q 1443	(B,71,66) Transistor DRC9A43E0
	IC 1441 (B,65,69) IC	TK11840L	Q 2031	(B,52,42) Chip Transistor HN1C03FU
	IC 1461 (A,38,83) IC	NJM2846DL3-05		
	IC 2071 (B,158,43) IC(C,D,E,F,G)	HA12241FP	D 101	(A,107,113) Diode CRG03
			D 102	(A,107,111) Diode CRG03
	IC 2101 (B,107,59) IC	NJM2856DL3-18	D 121	(A,51,105) Diode CRG03
	IC 2102 (A,112,59) IC	NJM2886DL3-33	D 122	(A,51,107) Diode CRG03
	IC 2122 (A,148,43) IC	WM8761BGED	D 131	(A,93,103) Diode DA2J101
	IC 6001 (A,55,27) IC	TDA7706		
E	Q 101 (A,111,111) Transistor	RN4982	D 132	(A,104,104) Diode DAN202U
	Q 131 (A,97,102) Transistor	DRA9A24E0	D 133	(A,101,103) Diode DAN202U
	Q 132 (A,102,99) Transistor	DRA9A24E0	D 134	(A,93,107) Diode DA2J101
			D 135	(A,83,111) Diode DZ2J082M0
	Q 133 (A,101,101) Transistor	2SC4081	D 136	(A,83,107) Diode DAN202U
	Q 134 (A,97,104) Chip Transistor	RN4983		
	Q 135 (A,102,108) Chip Transistor	RN1903	D 151	(B,56,98) Diode DAN202U
	Q 136 (A,89,110) Transistor	2SC4081	D 152	(B,54,124) Diode HZU7L(A1)
	Q 151 (B,57,94) Chip Transistor	HN1A01FU	D 153	(B,75,120) Diode HZU7L(C3)
			D 154	(B,78,123) Diode DZ2J200M0
	Q 152 (B,71,124) Transistor	HN1C01FU	D 155	(B,64,122) Diode DA2J101
	Q 153 (B,75,124) Transistor	2SC4081		
	Q 154 (B,66,120) Transistor	DRC9A14E0	D 156	(B,63,125) Diode DZ2J056M0
F	Q 155 (B,68,124) Transistor	DRC9A14E0	D 231	(B,41,62) Diode RKZ4.7KG(B2)
	Q 231 (B,36,64) Transistor	2SC4081	D 401	(B,169,35) Diode RB751S-40
			D 601	(B,59,39) Diode DA2J101
	Q 401 (B,163,29) Transistor	2SA1576A	D 602	(B,45,29) Diode RB751S-40
	Q 421 (B,155,80) Transistor	RN4982		

5			6			7			8		
<u>Circuit Symbol and No.</u>			<u>Part No.</u>			<u>Circuit Symbol and No.</u>			<u>Part No.</u>		
D 603	(B,43,28)	Diode	RB551V-30			D 1323	(A,93,88)	Diode	CMS03		
D 702	(B,54,20)	Diode	EMZC6.8N			D 1324	(A,89,88)	Diode	CMS03		
D 703	(B,55,25)	Diode	EMZC6.8N			D 1371	(A,125,11)	Diode	1SR154-400		
D 704	(B,56,20)	Diode	EMZC6.8N			D 1381	(B,110,87)	Diode	1SR154-400		A
D 705	(B,58,25)	Diode	EMZC6.8N			D 1391	(A,111,86)	Diode	1SR154-400		
D 706	(B,58,20)	Diode	EMZC6.8N			D 1401	(A,108,56)	Diode	DB2X206		
D 707	(B,60,25)	Diode	EMZC6.8N			D 1432	(A,105,17)	Diode	HZU6R2(B3)		
D 708	(B,61,20)	Diode	EMZC6.8N			D 1433	(A,77,62)	Diode	RKZ8.2KG(B2)		
D 709	(B,62,25)	Diode	EMZC6.8N			D 1434	(A,73,59)	Diode	RKZ6.8KG(B2)		
D 710	(B,63,20)	Diode	EMZC6.8N			D 1441	(B,67,81)	Diode	HZU13(B1)		
D 711	(B,64,25)	Diode	EMZC6.8N			D 1442	(B,70,74)	Diode	RB551V-30		
D 712	(B,65,20)	Diode	EMZC6.8N			D 1461	(A,33,95)	Diode	1SR154-400		
D 713	(B,80,20)	Diode	DZ2S068C			D 1462	(A,33,99)	Diode	1SR154-400		
D 714	(B,82,25)	Diode	DZ2S068C			D 1463	(A,31,90)	Diode	1SR154-400		
D 715	(B,81,25)	Diode	DZ2S068C			D 1464	(A,34,90)	Diode	1SR154-400		B
D 716	(B,79,25)	Diode	DZ2S068C			D 2012	(B,66,40)	Diode	DZ2S068C		
D 717	(B,78,25)	Diode	DZ2S068C			D 2013	(B,73,41)	Diode	DZ2S068C		
D 718	(B,78,20)	Diode	DZ2S068C			D 2014	(B,62,41)	Diode	DZ2S068C		
D 719	(B,77,20)	Diode	DZ2S068C			D 6001	(A,47,12)	Diode	RN731VN		
D 720	(B,76,20)	Diode	DZ2S068C			D 6002	(A,48,15)	Diode	RN731VN		
D 721	(B,75,20)	Diode	DZ2S068C			L 121	(A,66,99)	Choke Coil 600 uH	CTH1221		
D 722	(B,81,20)	Diode	DZ2S068C			L 131	(A,79,108)	Chip Coil	BTH1101		
D 723	(B,73,20)	Diode	DZ2S068C			L 151	(B,59,102)	Chip Coil	BTH1101		
D 724	(B,72,20)	Diode	DZ2S068C			L 152	(B,59,125)	Inductor	CTF1547		
D 725	(B,70,20)	Diode	DZ2S068C			L 472	(B,148,87)	Chip Beads	VTL1132		C
D 726	(B,71,25)	Diode	DZ2S068C			L 521	(B,107,40)	Inductor	CTF1545		
D 727	(B,68,25)	Diode	DZ2S068C			L 522	(B,102,47)	Inductor	CTF1545		
D 728	(B,68,20)	Diode	DZ2S068C			L 523	(A,101,41)	Inductor	CTF1545		
D 729	(B,67,20)	Diode	DZ2S068C			L 524	(B,104,45)	Inductor	CTF1545		
D 730	(B,66,25)	Diode	DZ2S068C			L 601	(A,28,59)	Ferrite Bead	CTF1528		
D 731	(B,77,25)	Diode	DZ2S068C			L 701	(A,74,24)	Inductor	XTL3010		
D 732	(B,51,21)	Diode	DZ2S068C			L 771	(B,145,109)	Ferrite Bead(C,D,E,F,G)	CTF1528		
D 733	(B,54,25)	Diode	DZ2S068C			L 772	(B,147,115)	Inductor(C,D,E,F,G)	CTF1787		
D 761	(B,134,111)	Diode	DZ2S068C			L 831	(A,121,96)	Choke Coil 33 uH	CTH1417		
D 762	(B,138,111)	Diode	DZ2S068C			L 832	(A,164,101)	Inductor	CTF1713		
D 763	(B,118,111)	Diode	DZ2S068C			L 833	(A,157,99)	Inductor	CTF1713		D
D 811	(A,143,14)	Diode	DZ2S068C			L 834	(A,128,110)	Choke Coil 33 uH	CTH1417		
D 812	(A,143,11)	Diode	DZ2S068C			L 835	(B,124,111)	Inductor	CTF1793		
D 821	(A,148,16)	Diode	DZ2J039M0			L 836	(B,113,102)	Inductor	CTF1793		
D 831	(A,115,94)	Diode	DB2X41400			L 901	(A,28,77)	Inductor	LCTAW4R7J3225		
D 832	(A,164,104)	Diode	EZAEG2A50AX			L 951	(B,171,102)	Inductor	LCTAW2R7J2520		
D 834	(A,157,104)	Diode	EZAEG2A50AX			L 952	(B,152,101)	Inductor	LCTAW2R7J2520		
D 835	(A,155,117)	Diode	DZ2S068C			L 1001	(A,130,42)	Chip Beads	VTL1127		
D 836	(B,150,106)	Diode	DZ2S068C			L 1002	(A,127,51)	Chip Beads	VTL1126		
D 837	(A,122,108)	Diode	DB2X41400			L 1003	(A,125,52)	Chip Beads	VTL1126		
D 838	(A,163,104)	Diode	EZAEG2A50AX			L 1004	(A,127,49)	Chip Beads	VTL1126		
D 839	(A,156,104)	Diode	EZAEG2A50AX			L 1005	(A,125,50)	Chip Beads	VTL1126		E
D 871	(B,119,36)	Diode	EZAEG2A50AX			L 1006	(A,127,50)	Chip Beads	VTL1126		
D 872	(B,115,37)	Diode	EZAEG2A50AX			L 1007	(A,125,51)	Chip Beads	VTL1126		
D 873	(B,106,37)	Diode	EZAEG2A50AX			L 1008	(A,127,48)	Chip Beads	VTL1126		
D 874	(B,104,37)	Diode	EZAEG2A50AX			L 1009	(A,125,49)	Chip Beads	VTL1126		
D 875	(B,102,37)	Diode	EZAEG2A50AX			L 1010	(A,127,47)	Chip Beads	VTL1126		
D 876	(B,112,36)	Diode	EZAEG2A50AX			L 1011	(A,125,48)	Chip Beads	VTL1126		
D 877	(B,128,17)	Diode	DZ2S068C			L 1012	(A,125,46)	Chip Beads	VTL1126		
D 878	(B,122,36)	Diode	DZ2S068C			L 1013	(A,127,46)	Chip Beads	VTL1126		
D 879	(B,128,14)	Diode	DZ2S068C			L 1014	(A,125,47)	Chip Beads	VTL1126		
D 1303	(A,54,70)	Diode	DZ2J180M0			L 1015	(A,125,45)	Chip Beads	VTL1126		F
D 1304	(A,45,73)	Diode	1SR154-400			L 1016	(A,127,45)	Chip Beads	VTL1126		
D 1321	(A,91,75)	Diode	RB080L-30			L 1017	(A,125,43)	Chip Beads	VTL1126		
D 1322	(A,91,71)	Diode	RB080L-30			L 1018	(A,127,43)	Chip Beads	VTL1126		
						L 1019	(A,125,44)	Chip Beads	VTL1126		

1

2

3

4

**Circuit Symbol and No.****Part No.****Circuit Symbol and No.****Part No.**

BZ2161	(A,39,39) Buzzer	CPV1062
L 1020	(A,127,44) Chip Beads	VTL1126
L 1021	(B,156,73) Chip Beads	VTL1132
L 1022	(A,127,42) Chip Beads	VTL1126
L 1023	(B,151,64) Chip Beads	VTL1132
L 1024	(A,156,60) Chip Beads	VTL1132
L 1025	(B,156,66) Chip Beads	VTL1132
L 1026	(B,158,66) Chip Beads	VTL1132
L 1321	(A,102,86) Inductor	ATH1219
L 1322	(A,101,61) Inductor	CTH1253
L 1323	(A,78,85) Choke Coil 6.8 uH	CTH1434
L 1401	(A,112,60) Inductor	CTH1526
L 1441	(A,64,71) Choke Coil 47 uH	CTH1388
L 1442	(B,62,66) Inductor	CTF1735
L 2011	(B,61,41) Inductor	CTF1545
L 2012	(B,74,41) Inductor	CTF1545
L 2013	(B,67,42) Inductor	CTF1545
L 2031	(B,49,39) Inductor	CTF1545
L 2032	(B,55,39) Inductor	CTF1545
L 2041	(A,165,37) Inductor	CTF1545
L 2042	(A,161,35) Inductor	CTF1545
L 2072	(B,163,45) Chip Beads	VTL1126
L 2111	(B,130,35) Inductor	CTF1545
L 2112	(B,126,35) Inductor	CTF1639
L 6001	(A,52,10) Chip Coil	LCTAWR15J2520
L 6002	(A,54,15) Inductor	CTF1786
L 6003	(A,58,16) Inductor	CTF1786
L 6004	(A,52,13) Chip Coil	LCTAWR27J2520
L 6005	(A,61,13) Inductor	CTF1389
L 6006	(A,62,17) Inductor	LCTAW220J2520
L 6007	(A,51,16) Inductor	CTF1794
L 6008	(A,62,21) Inductor	LCYB68NJ1005
L 6009	(A,66,27) Chip Coil	LCTAW470J2520
L 6010	(A,66,32) Inductor	CTF1786
L 6011	(A,58,36) Inductor	CTF1786
L 6012	(A,50,37) Inductor	CTF1786
L 6015	(A,44,34) Inductor	CTF1786
L 6016	(A,45,21) Inductor	CTF1786
L 6017	(A,46,21) Inductor	CTF1786
X 471	(B,144,81) Crystal Resonator 32.000 MHz	CSS1818
X 601	(A,59,39) Resonator 3.932 16 MHz	CSS1772
X 1002	(A,155,72) Resonator 27.000 MHz	CSS1768
X 1003	(B,166,68) Resonator 22 579.2 kHz	CSS1812
X 1004	(A,127,66) Resonator 48.000 MHz	CSS1760
X 1005	(A,127,59) Crystal Resonator 33.333333 MHz	CSS1825
X 6001	(A,42,30) Resonator 36.480 MHz	CSS1805
P 761	(A,118,113) Poly Switch	MINISMDC075F/24
P 781	(A,24,110) Poly Switch	MINISMDC075F/24
P 901	(B,20,87) Surge Absorber	IMSA-6803-01Y900
⚠ P1321	(A,70,82) Fuse 6.3 A	CEK1262
⚠ P1322	(A,22,12) Fuse 1.25 A	CEK1382
⚠ P1323	(A,21,23) Fuse 3.0 A	CEK1386
⚠ P1361	(A,96,25) Fuse 4.0 A	CEK1387
⚠ P1381	(A,111,78) Fuse 3.0 A	CEK1386
⚠ P1382	(B,97,98) Fuse 0.5 A	CEK1379
⚠ P1391	(B,111,50) Fuse 1.0 A	CEK1381
⚠ P1431	(A,100,14) Fuse 2.5 A	CEK1385
⚠ P1435	(A,113,28) Fuse 0.5 A	CEK1379
⚠ P1441	(B,60,65) Fuse 0.5 A	CEK1379
P 2031	(B,46,48) Poly Switch	MINISMDC075F/24
P 2051	(A,120,41) Poly Switch	MINISMDC075F/24

**RESISTORS**

R 101	(A,111,109)	RS1/16SS103J
R 102	(A,111,113)	RS1/16SS473J
R 121	(B,60,121)	RS1/4SA102J
R 122	(B,54,120)	RS1/4SA102J
R 123	(B,58,121)	RS1/4SA102J
R 131	(A,94,100)	RS1/16SS102J
R 132	(A,104,100)	RS1/16SS472J
R 133	(A,103,100)	RS1/16SS473J
R 134	(A,97,107)	RS1/16SS683J
R 135	(A,99,107)	RS1/16SS683J
R 136	(A,104,108)	RS1/16SS101J
R 137	(A,98,107)	RS1/16SS152J
R 138	(A,89,107)	RS1/16SS103J
R 139	(A,89,113)	RS1/16SS104J
R 140	(A,85,112)	RS1/16SS473J
R 141	(A,81,106)	RS1/16SS153J
R 142	(A,87,107)	RS1/10SR472J
R 153	(B,59,99)	RS1/16SS103J
R 154	(B,55,93)	RS1/16SS473J
R 155	(B,57,92)	RS1/16SS473J
R 156	(B,59,94)	RS1/16SS473J
R 157	(B,57,96)	RS1/16SS473J
R 158	(B,53,123)	RS1/16SS472J
R 159	(B,55,122)	RS1/16SS473J
R 160	(B,55,126)	RS1/16SS103J
R 163	(B,73,120)	RS1/16SS473J
R 164	(B,73,123)	RS1/16SS104J
R 165	(B,75,121)	RS1/16SS103J
R 166	(B,77,124)	RS1/16SS103J
R 167	(B,64,119)	RS1/16SS103J

1

2

3

4

5		6		7		8	
<u>Circuit Symbol and No.</u>		<u>Part No.</u>		<u>Circuit Symbol and No.</u>		<u>Part No.</u>	
R 168	(B,60,125)	RS1/16SS103J		R 330	(B,51,77)	RS1/16SS0R0J	
R 169	(B,68,122)	RS1/16SS104J		R 331	(B,51,78)	RS1/16SS0R0J	
R 181	(B,36,108)	RS1/16SS182J		R 333	(B,51,81)	RS1/16SS0R0J	
R 182	(B,39,109)	RS1/16SS182J		R 342	(B,31,73)	RS1/16SS0R0J	A
R 183	(B,36,109)	RS1/16SS272J		R 343	(B,31,72)	RS1/16SS0R0J	
R 184	(B,40,109)	RS1/16SS272J		R 345	(A,39,76)	RS1/16SS101J	
R 185	(B,39,107)	RS1/16SS182J		R 346	(B,30,82)	RS1/16SS0R0J	
R 186	(B,42,107)	RS1/16SS182J		R 347	(B,30,83)	RS1/16SS0R0J	
R 187	(B,43,106)	RS1/16SS272J		R 373	(A,38,76)	RS1/16SS103J	
R 188	(B,43,107)	RS1/16SS272J		R 374	(B,51,82)	RS1/16SS0R0J	
R 196	(B,32,90)	RS1/16SS473J		R 375	(B,51,85)	RS1/16SS0R0J	
R 231	(B,52,57)	RS1/10SR153J		R 402	(B,169,25)	RS1/16SS103J	
R 232	(B,48,59)	RS1/10SR153J		R 403	(B,171,27)	RS1/16SS103J	
R 233	(B,45,59)	RS1/10SR153J		R 404	(B,165,33)	RS1/16SS103J	B
R 234	(A,58,59)	RS1/10SR153J		R 405	(B,168,33)	RS1/16SS102J	
R 235	(B,50,66)	RS1/10SR153J		R 406	(B,170,26)	RS1/16SS101J	
R 236	(B,53,59)	RS1/10SR153J		R 407	(B,168,25)	RS1/16SS101J	
R 237	(A,54,58)	RS1/10SR273J		R 408	(B,166,33)	RS1/16SS103J	
R 238	(B,51,60)	RS1/10SR153J		R 409	(B,167,25)	RS1/16SS1003F	
R 239	(A,52,58)	RS1/10SR273J		R 411	(B,162,32)	RS1/16SS472J	
R 240	(B,49,58)	RS1/10SR153J		R 421	(B,158,81)	RS1/16SS102J	
R 242	(B,38,64)	RS1/16SS102J		R 422	(B,155,75)	RS1/16SS472J	
R 243	(B,36,60)	RS1/16SS472J		R 423	(B,153,76)	RS1/16SS472J	
R 246	(A,62,62)	RS1/10SR153J		R 424	(A,155,79)	RS1/16SS104J	
R 247	(A,61,59)	RS1/10SR473J		R 425	(A,154,79)	RS1/16SS104J	C
R 248	(A,56,63)	RS1/10SR153J		R 426	(A,151,76)	RS1/16SS821J	
R 249	(A,56,61)	RS1/10SR153J		R 427	(A,152,79)	RS1/16SS821J	
R 250	(A,56,65)	RS1/10SR153J		R 428	(A,149,72)	RS1/16SS0R0J	
R 251	(A,58,58)	RS1/10SR153J		R 429	(A,148,84)	RS1/16SS0R0J	
R 252	(B,46,66)	RS1/10SR153J		R 430	(A,150,86)	RS1/16SS0R0J	
R 261	(B,40,68)	RS1/16SS0R0J		R 431	(B,154,88)	RS1/16SS472J	
R 262	(B,51,70)	RS1/16SS0R0J		R 432	(B,154,87)	RS1/16SS472J	
R 263	(B,51,79)	RS1/16SS0R0J		R 433	(B,159,86)	RS1/16SS102J	
R 264	(B,51,84)	RS1/16SS0R0J		R 434	(A,151,86)	RS1/16SS104J	
R 267	(B,35,84)	RS1/16SS0R0J		R 435	(A,151,85)	RS1/16SS104J	
R 268	(B,30,75)	RS1/16SS2200D		R 436	(A,153,86)	RS1/16SS821J	D
R 271	(B,28,81)	RS1/16SS750J		R 437	(A,153,85)	RS1/16SS821J	
R 272	(B,31,75)	RS1/16SS0R0J		R 438	(A,158,79)	RS1/16SS0R0J	
R 273	(B,31,76)	RS1/16SS101J		R 443	(B,158,82)	RS1/16SS0R0J	
R 274	(B,31,77)	RS1/16SS101J		R 444	(B,149,81)	RS1/16SS0R0J	
R 275	(B,30,79)	RS1/16SS0R0J		R 445	(B,153,78)	RS1/16SS0R0J	
R 276	(B,30,80)	RS1/16SS101J		R 446	(B,40,66)	RS1/16SS0R0J	
R 277	(B,30,81)	RS1/16SS101J		R 449	(A,153,82)	RS1/16SS0R0J	
R 279	(B,44,87)	RS1/10SR0R0J		R 451	(A,150,88)	RS1/16SS0R0J	
R 280	(B,45,85)	RS1/10SR0R0J		R 452	(A,152,78)	RS1/16SS0R0J	
R 282	(A,46,91)	RS1/16SS75R0D		R 471	(A,128,86)	RS1/16SS101J	E
R 283	(B,36,84)	RS1/16SS0R0J		R 474	(A,128,84)	RS1/16SS301J	
R 284	(B,35,71)	RS1/16SS0R0J		R 475	(B,153,70)	RS1/16SS0R0J	
R 285	(B,36,71)	RS1/16SS0R0J		R 476	(B,153,71)	RS1/16SS0R0J	
R 287	(B,38,67)	RS1/16SS0R0J		R 477	(B,132,84)	RS1/16SS151J	
R 288	(B,41,68)	RS1/16SS0R0J		R 478	(B,129,87)	RS1/16SS151J	
R 289	(B,42,68)	RS1/16SS0R0J		R 479	(B,129,94)	RS1/16SS151J	
R 290	(B,44,68)	RS1/16SS0R0J		R 480	(A,134,90)	RS1/16SS0R0J	
R 292	(B,31,74)	RS1/16SS0R0J		R 481	(A,135,88)	RS1/16SS0R0J	
R 293	(B,30,78)	RS1/16SS0R0J		R 483	(B,139,81)	RS1/16SS472J	
R 295	(A,45,92)	RS1/16SS470J		R 484	(B,140,99)	RS1/16SS473J	F
R 310	(B,46,68)	RS1/16SS0R0J		R 485	(B,142,83)	RS1/16SS105J	
R 326	(B,51,69)	RS1/16SS0R0J		R 487	(B,146,85)	RS1/16SS101J	
R 327	(B,51,72)	RS1/16SS0R0J		R 488	(B,147,84)	RS1/16SS101J	
R 328	(B,51,73)	RS1/16SS0R0J		R 489	(B,141,82)	RS1/16SS821J	
R 329	(B,51,75)	RS1/16SS0R0J					

	1	2	3	4
	<u>Circuit Symbol and No.</u>	<u>Part No.</u>	<u>Circuit Symbol and No.</u>	<u>Part No.</u>
			R 616 (B,52,36)	RS1/16SS104J
	R 490 (A,135,89)	RS1/16SS0R0J		
	R 492 (B,150,90)	RS1/16SS181J	R 617 (B,54,38)	RS1/16SS102J
A	R 493 (B,148,90)	RS1/16SS181J	R 618 (B,52,42)	RS1/16SS473J
	R 494 (B,150,91)	RS1/16SS181J	R 620 (B,54,43)	RS1/16SS681J
	R 495 (B,148,91)	RS1/16SS181J	R 621 (B,54,42)	RS1/16SS273J
			R 622 (A,60,48)	RS1/16SS473J
	R 496 (B,150,92)	RS1/16SS181J		
	R 497 (B,148,92)	RS1/16SS181J	R 623 (A,54,33)	RS1/16SS101J
	R 498 (B,150,93)	RS1/16SS181J	R 624 (B,49,50)	RS1/16SS472J
	R 499 (B,148,93)	RS1/16SS181J	R 625 (B,49,51)	RS1/16SS472J
	R 500 (B,150,94)	RS1/16SS560J	R 626 (A,55,53)	RS1/16SS473J
			R 627 (B,51,27)	RS1/16SS473J
	R 501 (B,148,94)	RS1/16SS560J		
	R 502 (B,150,95)	RS1/16SS560J	R 628 (B,52,27)	RS1/16SS473J
	R 503 (B,133,79)	RS1/16SS0R0J	R 629 (B,48,27)	RS1/16SS472J
B	R 504 (B,149,84)	RS1/16SS222J	R 630 (B,49,27)	RS1/16SS472J
	R 505 (B,147,83)	RS1/16SS222J	R 631 (A,50,27)	RS1/16SS471J
			R 632 (A,49,27)	RS1/16SS471J
	R 506 (B,149,85)	RS1/16SS101J		
	R 507 (B,150,88)	RS1/16SS473J	R 633 (B,49,52)	RS1/16SS473J
	R 508 (B,141,99)	RS1/16SS101J	R 634 (B,48,52)	RS1/16SS473J
	R 510 (B,128,92)	RS1/16SS151J	R 635 (B,47,52)	RS1/16SS473J
	R 512 (B,149,86)	RS1/16SS331J	R 636 (A,48,57)	RS1/16SS473J
			R 637 (A,46,27)	RS1/16SS101J
	R 514 (A,140,97)	RS1/16SS750J		
	R 515 (A,138,96)	RS1/16SS0R0J	R 638 (A,42,58)	RS1/16SS104J
	R 516 (A,140,96)	RS1/16SS750J	R 639 (B,43,32)	RS1/16SS103J
	R 536 (A,99,39)	RS1/16SS101J	R 640 (B,42,57)	RS1/16SS103J
C	R 540 (B,96,46)	RS1/16SS101J	R 641 (B,42,29)	RS1/16SS104J
			R 642 (B,42,56)	RS1/16SS103J
	R 551 (B,100,43)	RS1/10SR101J		
	R 552 (B,103,42)	RS1/16SS101J	R 643 (A,40,25) (B,C,D)	RS1/16SS473J
	R 553 (B,98,44)	RS1/16SS101J	R 644 (A,40,58)	RS1/16SS471J
	R 554 (A,126,86)	RS1/16SS0R0J	R 645 (A,40,27) (E,F,G)	RS1/16SS473J
	R 571 (A,24,14)	RS1/16SS102J	R 646 (A,41,25) (B,D,E)	RS1/16SS473J
			R 647 (B,41,57)	RS1/16SS681J
	R 572 (A,27,13)	RS1/16SS472J		
	R 573 (A,28,13)	RS1/16SS472J	R 648 (A,41,27) (C,F,G)	RS1/16SS473J
	R 574 (A,32,16)	RS1/16SS0R0J	R 649 (A,42,25) (B,C,E,F)	RS1/16SS473J
	R 575 (A,39,16) (C,D,E,F,G)	RS1/16SS101J	R 650 (A,42,27) (D,G)	RS1/16SS473J
	R 577 (A,31,25)	RS1/16SS471J	R 652 (A,46,58)	RS1/16SS221J
D	R 578 (A,29,25)	RS1/16SS221J	R 653 (B,38,52)	RS1/16SS182J
			R 654 (A,39,58)	RS1/16SS221J
	R 579 (A,30,25)	RS1/16SS221J		
	R 580 (A,33,25)	RS1/16SS221J	R 655 (B,37,52)	RS1/16SS182J
	R 581 (A,32,25)	RS1/16SS221J	R 656 (A,38,25)	RS1/10SR0R0J
	R 582 (A,34,25)	RS1/16SS221J	R 657 (A,38,58)	RS1/16SS221J
	R 591 (A,48,93)	RS1/16SS562J	R 658 (B,37,54)	RS1/10SR0R0J
			R 659 (A,35,27)	RS1/16SS473J
	R 592 (A,49,97)	RS1/16SS332J		
	R 593 (A,81,45)	RS1/16SS471J	R 660 (B,37,32)	RS1/16SS473J
	R 594 (A,79,45)	RS1/16SS471J	R 661 (B,35,55)	RS1/16SS473J
	R 595 (A,50,90)	RS1/16SS222J	R 662 (A,36,57)	RS1/16SS473J
E	R 601 (A,33,57)	RS1/16SS221J	R 663 (A,34,61)	RS1/16SS473J
			R 664 (A,30,28)	RS1/16SS104J
	R 602 (A,31,57)	RS1/16SS221J		
	R 603 (A,32,57)	RS1/16SS221J	R 665 (B,29,27)	RS1/16SS104J
	R 604 (B,52,44)	RS1/16SS473J	R 666 (A,24,41)	RS1/16SS221J
	R 605 (B,53,38)	RS1/16SS0R0J	R 667 (B,31,41)	RS1/16SS221J
	R 606 (A,63,52)	RS1/16SS473J	R 668 (B,30,41)	RS1/16SS221J
			R 669 (A,24,39)	RS1/16SS104J
	R 607 (A,61,52)	RS1/16SS473J		
	R 608 (B,60,39)	RS1/16SS104J	R 670 (B,32,41)	RS1/16SS221J
	R 609 (B,50,40)	RS1/16SS104J	R 672 (B,48,40)	RS1/16SS0R0J
	R 610 (B,50,42)	RS1/16SS104J	R 673 (B,30,33)	RS1/16SS223J
	R 611 (A,55,46)	RS1/16SS104J	R 674 (B,30,34)	RS1/16SS223J
F			R 675 (B,30,35)	RS1/10SR0R0J
	R 612 (B,52,29)	RS1/16SS0R0J		
	R 613 (B,55,35)	RS1/10SR0R0J	R 676 (A,55,55)	RS1/16SS222J
	R 614 (A,55,39)	RS1/16SS100J	R 677 (A,37,27)	RS1/16SS0R0J
	R 615 (B,48,49)	RS1/10SR0R0J	R 679 (A,24,42)	RS1/16SS473J

5		6		7		8	
<u>Circuit Symbol and No.</u>		<u>Part No.</u>		<u>Circuit Symbol and No.</u>		<u>Part No.</u>	
R 680	(A,24,40)	RS1/16SS104J		R 833	(B,131,110)	RS1/16SS1002D	
R 681	(A,55,52) (C,D,E,F,G)	RS1/16SS472J		R 836	(B,118,103)	RS1/16SS3902D	
R 682	(A,51,27)	RS1/16SS222J		R 837	(B,120,103)	RS1/16SS1201D	A
R 683	(B,41,56)	RS1/16SS222J		R 838	(B,121,102)	RS1/16SS1002D	
R 684	(A,36,59)	RS1/10SR0R0J		R 841	(B,132,100)	RS1/16SS104J	
R 685	(A,35,59)	RS1/10SR0R0J		R 842	(A,146,106)	RS1/8SQ0R0J	
R 687	(A,48,27)	RS1/16SS222J		R 843	(B,118,92)	RS1/16SS0R0J	
R 688	(B,47,27)	RS1/16SS473J		R 844	(B,114,92)	RS1/16SS104J	
R 689	(A,45,25)	RS1/16SS394J		R 845	(B,123,92)	RS1/16SS104J	
R 690	(B,58,48)	RS1/16SS471J		R 846	(B,120,92)	RS1/16SS8201D	
R 691	(B,58,47)	RS1/16SS471J		R 847	(B,121,92)	RS1/16SS393J	
R 695	(A,34,27)	RS1/16SS0R0J		R 848	(B,123,100)	RS1/16SS0R0J	
R 697	(B,82,23)	RS1/16SS104J		R 849	(B,122,92)	RS1/16SS104J	
R 698	(B,83,23)	RS1/16SS224J		R 850	(A,148,108)	RS1/8SQ0R0J	B
R 699	(A,54,31)	RS1/16SS101J		R 851	(B,134,103)	RS1/16SS101J	
R 700	(A,52,22)	RS1/16SS101J		R 852	(B,124,92)	RS1/16SS101J	
R 701	(A,55,47)	RS1/16SS0R0J		R 853	(B,128,100)	RS1/16SS0R0J	
R 702	(A,58,48)	RS1/16SS0R0J		R 854	(B,125,100)	RS1/16SS104J	
R 703	(A,55,50) (C,D,E,F,G)	RS1/16SS0R0J		R 855	(B,133,103)	RS1/16SS104J	
R 704	(A,54,52) (C,D,E,F,G)	RS1/16SS0R0J		R 856	(B,130,100)	RS1/16SS8201D	
R 705	(A,24,47)	RS1/16SS0R0J		R 857	(B,131,100)	RS1/16SS393J	
R 706	(B,72,18)	RS1/16SS472J		R 858	(B,132,111)	RS1/16SS0R0J	
R 707	(B,70,24)	RS1/16SS472J		R 859	(B,138,106)	RS1/16SS102J	
R 729	(B,78,17)	RS1/16SS222J		R 860	(B,137,106)	RS1/16SS102J	
R 738	(B,80,17)	RS1/16SS222J		R 861	(B,125,97)	RS1/16SS102J	C
R 761	(B,117,111)	RS1/16SS223J		R 862	(B,125,99)	RS1/16SS102J	
R 762	(B,140,111)	RS1/16SS223J		R 863	(B,127,110)	RS1/16SS0R0J	
R 771	(B,145,106) (C,D,E,F,G)	RS1/16SS0R0J		R 864	(B,116,103)	RS1/16SS0R0J	
R 772	(B,145,108) (C,D,E,F,G)	RS1/16SS473J		R 865	(A,143,108)	RS1/16SS102J	
R 773	(B,150,111) (C,D,E,F,G)	RS1/16SS121J		R 866	(A,144,108)	RS1/16SS102J	
R 774	(B,145,111) (C,D,E,F,G)	RS1/16SS104J		R 867	(A,145,108)	RS1/16SS102J	
R 775	(B,145,115) (C,D,E,F,G)	RS1/16SS103J		R 868	(A,146,108)	RS1/16SS102J	
R 781	(A,29,114)	RS1/16SS390J		R 869	(A,144,105)	RS1/16SS102J	
R 782	(A,43,114)	RS1/16SS390J		R 870	(A,144,104)	RS1/16SS102J	
R 783	(A,27,114)	RS1/16SS390J		R 871	(A,144,103)	RS1/16SS102J	
R 784	(A,38,114)	RS1/16SS390J		R 872	(B,126,16)	RS1/16SS0R0J	D
R 785	(A,33,114)	RS1/16SS390J		R 873	(A,144,102)	RS1/16SS102J	
R 786	(A,45,114)	RS1/16SS390J		R 874	(B,120,36)	RS1/16SS101J	
R 787	(A,30,114)	RS1/16SS223J		R 875	(B,117,36)	RS1/16SS101J	
R 788	(A,41,114)	RS1/16SS223J		R 877	(B,113,36)	RS1/16SS0R0J	
R 789	(A,25,114)	RS1/16SS223J		R 879	(B,106,36)	RS1/16SS220J	
R 790	(A,39,114)	RS1/16SS223J		R 880	(B,104,36)	RS1/16SS101J	
R 791	(A,31,114)	RS1/16SS223J		R 881	(B,101,36)	RS1/16SS101J	
R 792	(A,46,114)	RS1/16SS223J		R 882	(B,126,14)	RS1/16SS0R0J	
R 793	(B,33,111)	RS1/16SS472J		R 883	(B,120,39)	RAB4C223J	
R 794	(B,39,111)	RS1/16SS472J		R 884	(B,115,39)	RAB4C223J	
R 795	(B,46,111)	RS1/16SS472J		R 885	(B,119,42)	RS1/16SS102J	E
R 796	(B,41,111)	RS1/16SS472J		R 886	(B,124,36)	RS1/16SS681J	
R 797	(B,31,111)	RS1/16SS472J		R 887	(B,124,38)	RS1/16SS103J	
R 798	(B,25,111)	RS1/16SS472J		R 901	(A,22,74)	RS1/16SS103J	
R 811	(A,144,16)	RS1/16SS102J		R 902	(A,23,74)	RS1/16SS103J	
R 812	(A,144,14)	RS1/16SS473J		R 903	(B,22,66)	RS1/10SR681J	
R 821	(A,149,14)	RS1/16SS473J		R 906	(B,20,66)	RS1/16SS0R0J	
R 822	(A,151,14)	RS1/16SS104J		R 908	(B,22,69)	RS1/16SS103J	
R 823	(A,148,10)	RS1/16SS473J		R 909	(B,21,72)	RS1/16SS103J	
R 824	(A,148,12)	RS1/16SS104J		R 910	(B,26,68)	RS1/10SR103J	F
R 825	(A,145,14)	RS1/16SS122J		R 911	(B,22,77)	RS1/16SS103J	
R 826	(A,151,15)	RS1/16SS152J		R 912	(B,22,78)	RS1/16SS103J	
R 831	(B,129,111)	RS1/16SS3902D		R 913	(B,25,79)	RS1/10SR103J	
R 832	(B,131,111)	RS1/16SS1201D		R 930	(A,24,74)	RS1/16SS102J	

1

2

3

4

**Circuit Symbol and No.****Part No.****Circuit Symbol and No.****Part No.**

R 931	(A,20,73)	RS1/16SS102J	R 1050	(A,121,60)	RS1/16SS103J
R 932	(A,26,73)	RS1/16SS0R0J	R 1051	(A,122,63)	RS1/16SS103J
R 934	(A,25,75)	RS1/10SR0R0J	R 1052	(A,121,63)	RS1/16SS103J
A					
R 952	(B,166,93)	RS1/16SS103J	R 1053	(A,122,61)	RS1/16SS103J
R 953	(B,157,103)	RS1/16SS101J	R 1054	(A,121,59)	RS1/16SS103J
R 954	(B,154,104)	RS1/16SS101J	R 1055	(A,121,62)	RS1/16SS103J
R 955	(B,163,92)	RS1/16SS103J	R 1056	(A,121,58)	RS1/16SS103J
R 956	(B,162,92)	RS1/16SS103J	R 1057	(A,122,58)	RS1/16SS103J
R 957	(B,160,91)	RS1/16SS221J	R 1058	(A,122,59)	RS1/16SS103J
R 958	(B,159,93)	RS1/16SS221J	R 1059	(A,121,61)	RS1/16SS103J
R 960	(B,154,98)	RS1/16SS6801D	R 1061	(A,129,58)	RS1/16SS152J
R 961	(B,165,92)	RS1/16SS101J	R 1062	(A,122,60)	RS1/16SS103J
R 962	(B,166,103)	RS1/16SS103J	R 1063	(A,123,55)	RS1/16SS0R0J
B					
R 964	(B,155,94)	RS1/10SR0R0J	R 1064	(A,166,50)	RS1/16SS330J
R 965	(B,150,100)	RS1/10SR0R0J	R 1065	(A,159,50)	RS1/16SS330J
R 1001	(A,164,54)	RS1/16SS330J	R 1066	(A,158,50)	RS1/16SS330J
R 1002	(A,166,55)	RS1/16SS330J	R 1068	(B,129,49)	RS1/16SS101J
R 1003	(A,159,55)	RS1/16SS330J	R 1069	(B,132,49)	RS1/16SS101J
R 1004	(A,156,55)	RS1/16SS330J	R 1071	(A,131,48)	RS1/16SS101J
R 1005	(A,166,54)	RS1/16SS330J	R 1072	(A,131,49)	RS1/16SS101J
R 1006	(A,164,53)	RS1/16SS330J	R 1073	(B,130,49)	RS1/16SS101J
R 1007	(A,159,54)	RS1/16SS330J	R 1075	(A,131,47)	RS1/16SS101J
R 1008	(A,158,54)	RS1/16SS330J	R 1077	(B,135,48)	RS1/16SS0R0J
R 1009	(A,166,53)	RS1/16SS330J	R 1079	(B,139,51)	RS1/16SS82R0D
R 1010	(A,164,52)	RS1/16SS330J	R 1080	(B,137,48)	RS1/16SS82R0D
R 1011	(A,159,53)	RS1/16SS330J	R 1086	(A,159,49)	RS1/16SS330J
R 1012	(A,157,71)	RS1/16SS105J	R 1087	(B,154,83)	RS1/16SS0R0J
R 1013	(B,127,68)	RS1/10SR0R0J	R 1088	(B,153,80)	RS1/16SS0R0J
R 1014	(A,158,53)	RS1/16SS330J	R 1089	(A,132,69)	RS1/16SS102J
R 1015	(B,128,60)	RS1/10SR0R0J	R 1090	(A,131,69)	RS1/16SS102J
R 1016	(A,166,52)	RS1/16SS330J	R 1091	(A,140,68)	RS1/16SS221J
R 1017	(A,166,51)	RS1/16SS330J	R 1093	(A,156,63)	RS1/16SS331J
R 1018	(B,166,70)	RS1/16SS105J	R 1094	(A,156,62)	RS1/16SS331J
R 1019	(B,139,66)	RS1/10SR0R0J	R 1095	(A,158,49)	RS1/16SS330J
R 1021	(A,164,51)	RS1/16SS330J	R 1096	(A,159,48)	RS1/16SS561J
R 1022	(A,157,69)	RS1/16SS102J	R 1097	(A,122,62)	RS1/16SS0R0J
R 1023	(A,159,52)	RS1/16SS330J	R 1098	(B,151,50)	RS1/16SS0R0J
R 1024	(B,163,69)	RS1/16SS331J	R 1099	(A,145,41)	RS1/16SS100J
R 1025	(A,158,69)	RS1/16SS220J	R 1100	(A,144,41)	RS1/16SS100J
R 1026	(B,162,69)	RS1/16SS220J	R 1101	(B,145,39)	RS1/16SS100J
R 1027	(A,158,52)	RS1/16SS330J	R 1102	(B,140,39)	RS1/16SS100J
R 1028	(A,162,72)	RS1/10SR0R0J	R 1103	(A,143,39)	RS1/16SS100J
R 1029	(B,162,72)	RS1/10SR0R0J	R 1104	(B,143,38)	RS1/16SS100J
R 1030	(B,148,72)	RS1/16SS221J	R 1105	(B,140,38)	RS1/16SS100J
R 1031	(B,147,71)	RS1/16SS221J	R 1106	(A,158,48)	RS1/16SS330J
R 1034	(A,164,50)	RS1/16SS330J	R 1107	(B,149,39)	RS1/16SS100J
R 1035	(A,145,72)	RS1/16SS101J	R 1108	(B,147,40)	RS1/16SS100J
R 1036	(A,147,72)	RS1/16SS101J	R 1109	(B,148,39)	RS1/16SS100J
R 1037	(A,146,72)	RS1/16SS101J	R 1110	(B,146,39)	RS1/16SS100J
R 1038	(A,164,49)	RS1/16SS330J	R 1111	(B,138,39)	RS1/16SS100J
R 1039	(A,159,90)	RS1/16SS101J	R 1112	(B,149,40)	RS1/16SS100J
R 1040	(A,161,90)	RS1/16SS101J	R 1113	(B,141,39)	RS1/16SS100J
R 1041	(A,160,90)	RS1/16SS101J	R 1114	(B,151,71)	RS1/16SS331J
R 1042	(A,159,51)	RS1/16SS330J	R 1115	(B,151,70)	RS1/16SS331J
R 1043	(A,158,51)	RS1/16SS330J	R 1116	(B,152,60)	RS1/16SS121J
R 1044	(B,146,70)	RS1/10SR0R0J	R 1117	(A,148,68)	RS1/16SS472J
R 1045	(B,144,70)	RS1/10SR0R0J	R 1118	(A,147,68)	RS1/16SS472J
R 1046	(A,136,68)	RS1/16SS5601D	R 1119	(A,150,70)	RS1/16SS473J
R 1047	(A,134,68)	RS1/16SS5601D	R 1120	(A,151,72)	RS1/16SS473J
R 1048	(A,130,66)	RS1/16SS681J	R 1121	(A,152,68)	RS1/16SS473J

1

2

3

4

5		6		7		8	
<u>Circuit Symbol and No.</u>		<u>Part No.</u>		<u>Circuit Symbol and No.</u>		<u>Part No.</u>	
R 1122	(A,166,47)	RS1/16SS561J		R 1195	(A,156,66)	RS1/16SS103J	
R 1123	(B,158,65)	RS1/16SS471J		R 1196	(A,158,60)	RS1/16SS221J	
R 1124	(B,154,66)	RS1/16SS471J		R 1197	(A,123,51)	RS1/16SS121J	
R 1126	(B,156,74)	RS1/16SS471J		R 1198	(A,121,52)	RS1/16SS121J	A
R 1127	(B,148,69)	RS1/16SS472J		R 1199	(A,123,49)	RS1/16SS121J	
R 1128	(B,148,17)	RS1/16SS103J		R 1200	(A,121,50)	RS1/16SS121J	
R 1129	(B,130,48)	RS1/16SS103J		R 1201	(B,128,26)	RS1/16SS82R0D	
R 1130	(B,132,48)	RS1/16SS103J		R 1202	(B,128,24)	RS1/16SS82R0D	
R 1132	(A,127,55)	RS1/16SS0R0J		R 1203	(A,123,50)	RS1/16SS121J	
R 1133	(A,125,55)	RS1/16SS0R0J		R 1204	(B,155,26)	RS1/16SS82R0D	
R 1134	(A,127,53)	RS1/16SS0R0J		R 1205	(B,153,24)	RS1/16SS82R0D	
R 1135	(A,125,54)	RS1/16SS0R0J		R 1206	(A,121,51)	RS1/16SS121J	
R 1136	(A,127,54)	RS1/16SS0R0J		R 1207	(B,144,44)	RS1/16SS100J	
R 1137	(A,158,47)	RS1/16SS561J		R 1208	(B,145,44)	RS1/16SS100J	B
R 1138	(A,164,45)	RS1/16SS561J		R 1209	(B,145,29)	RS1/16SS431J	
R 1139	(A,125,53)	RS1/16SS0R0J		R 1210	(A,123,48)	RS1/16SS121J	
R 1140	(A,150,68)	RS1/16SS471J		R 1211	(A,121,49)	RS1/16SS121J	
R 1141	(A,149,68)	RS1/16SS471J		R 1212	(A,123,47)	RS1/16SS121J	
R 1142	(A,155,47)	RS1/16SS101J		R 1213	(A,121,48)	RS1/16SS121J	
R 1145	(B,128,56)	RS1/16SS0R0J		R 1214	(A,121,46)	RS1/16SS121J	
R 1146	(B,130,56)	RS1/16SS0R0J		R 1215	(A,123,46)	RS1/16SS121J	
R 1147	(B,127,56)	RS1/16SS0R0J		R 1216	(A,121,47)	RS1/16SS121J	
R 1148	(B,128,57)	RS1/16SS0R0J		R 1217	(A,121,45)	RS1/16SS121J	
R 1149	(B,131,56)	RS1/16SS0R0J		R 1218	(A,123,45)	RS1/16SS121J	
R 1150	(B,129,56)	RS1/16SS0R0J		R 1219	(A,121,43)	RS1/16SS121J	C
R 1159	(A,158,64)	RS1/16SS331J		R 1220	(A,123,43)	RS1/16SS121J	
R 1160	(A,158,65)	RS1/16SS331J		R 1221	(A,121,44)	RS1/16SS121J	
R 1161	(A,156,64)	RS1/16SS331J		R 1222	(A,123,44)	RS1/16SS121J	
R 1162	(A,158,63)	RS1/16SS331J		R 1223	(A,125,40)	RS1/16SS221J	
R 1163	(A,158,62)	RS1/16SS331J		R 1225	(A,123,42)	RS1/16SS121J	
R 1164	(A,158,61)	RS1/16SS331J		R 1227	(A,147,70)	RS1/16SS473J	
R 1165	(A,156,59)	RS1/16SS331J		R 1228	(B,152,54)	RS1/16SS680J	
R 1166	(A,156,65)	RS1/16SS331J		R 1229	(A,152,67)	RS1/16SS221J	
R 1167	(B,139,39)	RS1/16SS100J		R 1230	(A,148,70)	RS1/16SS221J	
R 1168	(B,142,38)	RS1/16SS100J		R 1241	(B,161,63)	RS1/16SS103J	
R 1169	(B,137,39)	RS1/16SS100J		R 1242	(B,164,63)	RS1/16SS103J	D
R 1170	(B,139,38)	RS1/16SS100J		R 1243	(B,164,38)	RS1/8SQ0R0J	
R 1171	(B,143,39)	RS1/16SS100J		R 1301	(A,40,71)	RS1/16SS391J	
R 1172	(B,141,38)	RS1/16SS100J		R 1302	(A,50,74)	RS1/16SS911J	
R 1173	(A,142,41)	RS1/16SS100J		R 1312	(A,24,33)	RS1/16SS0R0J	
R 1174	(A,143,41)	RS1/16SS100J		R 1321	(B,95,83)	RS1/16SS0R0J	
R 1175	(A,127,52)	RS1/16SS0R0J		R 1322	(B,93,83)	RS1/16SS561J	
R 1176	(B,153,64)	RS1/16SS471J		R 1323	(B,93,81)	RS1/16SS3302D	
R 1177	(A,131,54)	RS1/16SS103J		R 1324	(B,94,81)	RS1/16SS4301D	
R 1178	(B,159,74)	RS1/16SS101J		R 1325	(B,95,81)	RS1/16SS3601D	
R 1179	(A,164,46)	RS1/16SS561J		R 1326	(B,87,80)	RS1/10SR0R0J	
R 1180	(A,166,46)	RS1/16SS561J		R 1327	(B,90,83)	RS1/16SS822J	E
R 1181	(A,159,47)	RS1/16SS561J		R 1328	(B,94,79)	RS1/16SS0R0J	
R 1182	(A,166,44)	RS1/16SS561J		R 1330	(B,95,67)	RS1/16SS224J	
R 1183	(A,166,45)	RS1/16SS561J		R 1331	(B,90,63)	RS1/16SS822J	
R 1184	(A,164,44)	RS1/16SS561J		R 1332	(B,87,66)	RS1/10SR0R0J	
R 1185	(A,158,46)	RS1/16SS561J		R 1333	(B,93,65)	RS1/16SS1101D	
R 1186	(A,164,43)	RS1/16SS561J		R 1334	(B,94,65)	RS1/16SS2701D	
R 1187	(A,158,45)	RS1/16SS561J		R 1335	(B,92,65)	RS1/16SS2702D	
R 1188	(A,159,46)	RS1/16SS561J		R 1336	(B,93,63)	RS1/16SS511J	
R 1189	(A,158,44)	RS1/16SS561J		R 1337	(B,97,74)	RS1/16SS101J	
R 1190	(A,159,45)	RS1/16SS561J		R 1338	(B,97,67)	RS1/16SS101J	F
R 1191	(A,131,62)	RS1/16SS330J		R 1339	(B,95,63)	RS1/16SS0R0J	
R 1192	(B,133,57)	RS1/16SS472J		R 1340	(B,96,79)	RS1/16SS204J	
R 1193	(B,135,58)	RS1/16SS102J		R 1341	(B,97,79)	RS1/16SS394J	

1

2

3

4

**Circuit Symbol and No.****Part No.****Circuit Symbol and No.****Part No.**

R 1342	(B,97,76)	RS1/16SS101J		
R 1343	(B,96,74)	RS1/16SS103J	R 2035	(B,53,39) RS1/16SS223J
R 1344	(B,96,76)	RS1/16SS103J	R 2036	(B,55,42) RS1/16SS821J
A	R 1361	(A,80,60) RS1/16SS0R0J	R 2041	(A,161,32) RS1/10SR102J
	R 1362	(A,81,60) RS1/16SS102J	R 2042	(A,163,38) RS1/10SR471J
	R 1365	(B,83,32) RS1/16SS102J	R 2052	(B,103,36) RAB4CQ750J
	R 1366	(B,83,31) RS1/16SS102J	R 2055	(A,106,36) RS1/16SS223J
	R 1367	(B,84,37) RS1/16SS0R0J	R 2056	(A,111,38) RS1/10SR102J
■	R 1372	(A,124,16) RS1/16SS102J	R 2057	(A,113,38) RS1/10SR102J
	R 1383	(B,104,103) RS1/16SS102J	R 2058	(A,115,36) RS1/10SR471J
	R 1384	(B,101,98) RS1/16SS102J	R 2059	(A,118,36) RS1/10SR471J
	R 1388	(B,93,96) RS1/16SS102J	R 2061	(A,107,36) RS1/16SS223J
	R 1389	(B,93,97) RS1/16SS102J	R 2071	(B,154,39) (C,D,E,F,G) RS1/16SS150J
B	R 1396	(A,124,72) RS1/10SR0R0J	R 2072	(B,156,38) (C,D,E,F,G) RS1/16SS470J
	R 1397	(A,119,85) RS1/16SS102J	R 2073	(B,152,42) (C,D,E,F,G) RS1/16SS101J
	R 1399	(B,113,48) RS1/16SS102J	R 2074	(B,154,40) (C,D,E,F,G) RS1/16SS101J
	R 1400	(B,111,49) RS1/10SR681J	R 2075	(B,153,45) (C,D,E,F,G) RS1/16SS102J
	R 1402	(A,106,44) RS1/16SS564J	R 2077	(B,146,39) (C,D,E,F,G) RS1/16SS181J
■	R 1403	(A,109,44) RS1/16SS123J	R 2078	(B,137,35) (C,D,E,F,G) RS1/16SS181J
	R 1404	(A,108,44) RS1/16SS224J	R 2079	(B,135,36) (C,D,E,F,G) RS1/16SS223J
	R 1405	(A,103,54) RS1/16SS5R6J	R 2080	(B,144,39) (C,D,E,F,G) RS1/16SS223J
	R 1406	(A,113,48) RS1/16SS6800D	R 2081	(B,144,37) (C,D,E,F,G) RS1/16SS102J
	R 1407	(A,111,47) RS1/16SS1302D	R 2082	(B,135,38) (C,D,E,F,G) RS1/16SS102J
C	R 1408	(A,111,45) RS1/16SS6801D	R 2091	(A,52,58) RS1/16SS681J
	R 1409	(A,109,54) RS1/16SS5R6J	R 2092	(A,55,57) RS1/16SS473J
	R 1411	(A,104,47) RS1/16SS102J	R 2093	(A,53,57) RS1/16SS473J
	R 1412	(A,117,68) RS1/16SS102J	R 2101	(B,113,63) RS1/16SS102J
	R 1415	(A,113,49) RS1/16SS0R0J	R 2122	(A,149,52) RS1/16SS102J
■	R 1416	(A,103,46) RS1/16SS471J	R 2123	(A,150,52) RS1/16SS102J
	R 1420	(A,101,46) RS1/16SS102J	R 2128	(A,143,52) RS1/16SS681J
	R 1421	(A,105,45) RS1/16SS102J	R 2131	(A,142,52) RS1/16SS681J
	R 1431	(A,105,12) RS1/10SR121J	R 2133	(A,144,52) RS1/16SS681J
	R 1432	(A,106,9) RS1/16SS473J	R 2135	(A,145,52) RS1/16SS681J
D	R 1433	(A,98,17) RS1/16SS220J	R 2139	(A,158,60) RS1/16SS102J
	R 1434	(A,68,60) RS1/16SS221J	R 2142	(A,158,64) RS1/16SS0R0J
	R 1435	(A,67,60) RS1/16SS221J	R 2146	(B,143,64) RS1/16SS101J
	R 1436	(A,65,60) RS1/16SS221J	R 2148	(B,135,62) RS1/16SS101J
	R 1437	(A,63,60) RS1/16SS473J	R 2161	(A,108,40) RS1/10SR272J
■	R 1438	(A,63,58) RS1/16SS103J	R 2162	(A,110,40) RS1/10SR272J
	R 1439	(A,65,57) RS1/16SS0R0J	R 2163	(A,109,42) RS1/10SR562J
	R 1441	(B,71,80) RS1/16SS681J	R 2164	(B,42,48) RS1/16SS102J
	R 1442	(B,69,66) RS1/16SS0R0J	R 2165	(B,116,34) RS1/16SS103J
	R 1443	(B,68,66) RS1/16SS3003D	R 6001	(A,45,14) RS1/16SS221J
E	R 1444	(B,66,65) RS1/16SS1102D	R 6002	(A,49,18) RS1/16SS751J
	R 1445	(B,64,73) RS1/16SS512J	R 6003	(A,62,14) RS1/16SS152J
	R 1446	(B,64,72) RS1/16SS0R0J	R 6004	(A,60,20) RS1/16SS105J
	R 1447	(B,62,68) RS1/16SS621J	R 6005	(A,58,9) RS1/16SS105J
	R 1448	(B,69,69) RS1/16SS0R0J	R 6006	(A,64,24) RS1/16SS471J
■	R 1449	(B,69,71) RS1/10SR4701D	R 6007	(A,65,23) RS1/16SS330J
	R 1451	(B,59,67) RS1/16SS0R0J	R 6008	(A,66,30) RS1/16SS681J
	R 1481	(B,111,47) RS1/10SR681J	R 6009	(A,62,38) RS1/4SA5R6J
	R 2001	(B,24,35) RS1/16SS750J	R 6010	(B,58,33) RS1/16SS102J
	R 2012	(B,61,43) RS1/16SS750J	R 6011	(A,45,29) RS1/16SS0R0J
F	R 2013	(B,64,41) RS1/10SR0R0J	R 6014	(A,64,38) RS1/4SA5R6J
	R 2014	(B,69,42) RS1/10SR0R0J	R 6015	(A,66,38) RS1/4SA5R6J
	R 2017	(B,71,44) RS1/16SS223J	R 6016	(A,49,35) RS1/10SR0R0J
	R 2018	(B,68,44) RS1/16SS223J	R 6017	(A,46,37) RS1/10SR0R0J
	R 2031	(B,49,45) RS1/16SS821J	R 6018	(A,40,18) RS1/8SQ0R0J
R 2032	(B,55,44) RS1/16SS472J	R 6019	(B,59,25) RS1/16SS0R0J	
R 2033	(B,51,39) RS1/16SS223J			
R 2034	(B,55,43) RS1/16SS472J			

1

2

3

4

5		6		7		8	
<u>Circuit Symbol and No.</u>		<u>Part No.</u>		<u>Circuit Symbol and No.</u>		<u>Part No.</u>	
<b>CAPACITORS</b>				C 247	(A,56,59)	CKSQYB225K10	
				C 261	(B,39,69)	CKSRYB105K10	
C 101	(A,107,109)	CKSQYB104K50		C 262	(B,48,70)	CKSRYB105K10	A
C 103	(A,92,111) 10 uF	CCG1236		C 263	(B,48,79)	CKSRYB105K10	
C 104	(A,102,113)	CKSQYB225K10		C 264	(B,48,84)	CKSRYB105K10	
C 105	(A,102,110)	CKSQYB225K10		C 265	(B,32,78)	CKSSYB104K16	
C 106	(A,94,112) 0.47 uF	CCG1328		C 266	(B,33,75)	CKSSYB104K16	
C 107	(A,95,112) 0.47 uF	CCG1328		C 267	(B,33,76)	CKSSYB104K16	
C 108	(A,98,112) 0.47 uF	CCG1328		C 268	(B,33,77)	CKSSYB104K16	
C 109	(A,100,112) 0.47 uF	CCG1328		C 269	(B,32,79)	CKSSYB104K16	
C 110	(B,94,108) 0.47 uF	CCG1328		C 270	(B,32,80)	CKSSYB104K16	
C 111	(B,96,108) 0.47 uF	CCG1328		C 271	(B,32,81)	CKSSYB104K16	
C 112	(B,98,108) 0.47 uF	CCG1328		C 272	(B,34,82)	CKSSYB104K16	
C 113	(B,99,108) 0.47 uF	CCG1328		C 273	(B,38,84)	CKSSYB104K16	B
C 121	(A,86,99)	CEAT332M16		C 274	(B,33,85) 10 uF	CCG1192	
C 131	(A,97,96)	CEVW101M16		C 275	(B,40,84)	CKSSYB104K16	
C 132	(A,101,106)	CKSQYB475K6R3		C 276	(B,37,84)	CKSSYB104K16	
C 133	(A,87,110) 10 uF	CCG1192		C 277	(B,38,86) 10 uF	CCG1192	
C 134	(A,79,110)	CKSRYB104K50		C 279	(B,43,84)	CKSSYB104K16	
C 152	(B,56,102)	CKSRYB104K50		C 280	(B,38,69)	CKSRYB105K10	
C 153	(B,56,100)	CKSRYB474K16		C 281	(B,42,85) 10 uF	CCG1192	
C 156	(B,62,120)	CKSRYB105K10		C 282	(B,41,70)	CKSRYB105K10	
C 158	(B,66,124)	CKSRYB104K50		C 283	(B,43,70)	CKSRYB105K10	
C 181	(B,53,95)	CKSRYB105K10		C 284	(B,44,70)	CKSRYB105K10	
C 182	(B,49,96)	CKSRYB105K10		C 285	(B,46,70)	CKSRYB105K10	C
C 183	(B,28,95)	CKSRYB105K10		C 286	(B,38,71)	CKSSYB104K16	
C 184	(B,49,94) (C,D,E,F,G)	CKSRYB105K10		C 287	(A,43,79)	CKSRYB105K10	
C 185	(B,28,92) (C,D,E,F,G)	CKSRYB105K10		C 288	(B,48,69)	CKSRYB105K10	
C 186	(B,53,93) (C,D,E,F,G)	CKSRYB105K10		C 289	(B,48,72)	CKSRYB105K10	
C 187	(B,32,94) (C,D,E,F,G)	CKSRYB105K10		C 290	(B,48,73)	CKSRYB105K10	
C 188	(B,49,92)	CKSRYB105K10		C 295	(A,46,92)	CCSSCH271J50	
C 189	(B,49,91)	CKSRYB105K10		C 299	(B,48,75)	CKSRYB105K10	
C 190	(B,48,102)	CKSRYB105K10		C 300	(B,48,76)	CKSRYB105K10	
C 191	(B,44,104)	CKSRYB105K10		C 301	(B,48,78)	CKSRYB105K10	
C 192	(B,32,101)	CKSRYB105K10		C 302	(B,48,81)	CKSRYB105K10	
C 193	(B,32,99)	CKSRYB105K10		C 304	(B,33,73)	CKSSYB104K16	D
C 194	(B,32,98)	CKSRYB105K10		C 305	(B,33,72)	CKSSYB104K16	
C 195	(B,51,88)	CKSQYB225K10		C 306	(B,48,82)	CKSRYB105K10	
C 196	(B,45,88)	CKSRYB474K16		C 307	(B,48,85)	CKSRYB105K10	
C 197	(A,37,91) 10 uF	CCG1192		C 309	(B,46,86)	CKSSYB104K16	
C 198	(B,41,88)	CKSSYB104K10		C 310	(B,33,74)	CKSSYB104K16	
C 199	(A,43,96) 10 uF	CCG1192		C 311	(B,32,83)	CKSSYB104K16	
C 200	(B,32,92)	CKSSYB104K10		C 312	(B,32,82)	CKSSYB104K16	
C 202	(B,39,105)	CKSRYB104K16		C 401	(B,167,33)	CKSSYB104K10	
C 203	(A,42,103) 10 uF	CCG1236		C 402	(B,165,25)	CKSSYB104K10	
C 204	(A,42,108) 10 uF	CCG1236		C 421	(A,153,77)	CKSQYB475K6R3	E
C 205	(B,50,100)	CCSQCH223J50		C 422	(A,153,81)	CKSQYB475K6R3	
C 206	(B,50,98)	CCSQCH223J50		C 423	(A,148,74)	CKSSYB104K10	
C 210	(B,28,93)	CKSRYB105K10		C 424	(A,149,84) 10 uF	CCG1192	
C 212	(B,53,98)	CKSRYB105K10		C 425	(A,153,87)	CKSQYB475K6R3	
C 213	(B,32,96)	CKSRYB105K10		C 426	(A,153,83)	CKSQYB475K6R3	
C 233	(B,47,59)	CCSSCH101J50		C 427	(A,157,89)	CKSSYB104K10	
C 234	(B,37,60)	CKSSYB105K6R3		C 428	(A,157,79) 10 uF	CCG1192	
C 237	(B,39,61)	CKSRYB105K10		C 472	(A,127,84)	CKSSYB104K10	
C 238	(B,52,60)	CCSSCH101J50		C 473	(B,130,91)	CKSSYB224K6R3	
C 239	(B,53,62)	CKSRYB104K16		C 474	(B,130,92)	CKSSYB224K6R3	
C 241	(A,51,62)	CKSQYB225K10		C 475	(B,131,91)	CKSSYB224K6R3	F
C 242	(A,53,62)	CKSQYB225K10		C 476	(B,130,88)	CKSRYB105K16	
C 243	(A,59,69)	CKSRYB104K16		C 477	(B,129,93)	CKSRYB105K16	
C 246	(A,55,64)	CCSSCH101J50		C 478	(B,132,94)	CKSSYB102K50	

1

2

3

4

**Circuit Symbol and No.****Part No.****Circuit Symbol and No.****Part No.**

C 479	(B,131,95)	CKSRYB105K16	C 611	(A,52,27)	CKSSYB104K10
C 480	(B,135,83)	CKSSYB102K50	C 612	(A,45,27)	CKSSYB103K16
C 481	(B,132,85)	CKSRYB105K16	C 613	(A,39,27)	CKSSYB104K10
A					
C 482	(B,132,87)	CKSSYB102K50	C 614	(B,39,55)	CKSSYB104K10
C 483	(B,131,90)	CKSSYB103K25	C 615	(B,30,36)	CKSSYB104K10
C 484	(A,134,93) 10 uF	CCG1192	C 619	(B,83,22)	CKSSYB104K10
C 485	(B,136,99)	CKSSYB104K10	C 626	(A,43,25)	CKSSYB471K50
C 486	(A,138,90) 10 uF	CCG1192	C 702	(A,72,25)	CKSQYB475K6R3
■					
C 487	(B,137,99)	CKSSYB104K10	C 703	(A,70,25)	CKSQYB475K6R3
C 488	(B,135,79) 10 uF	CCG1192	C 704	(A,93,16)	CKSRYB105K10
C 489	(B,137,82)	CKSRYB105K16	C 705	(B,53,27)	CKSSYB222K50
C 490	(A,138,86)	CKSSYB104K10	C 711	(A,84,24)	CKSRYB105K10
C 491	(B,138,82)	CKSSYB104K10	C 761	(B,137,111)	CKSRYB104K50
B					
C 492	(B,139,99)	CKSSYB104K10	C 762	(B,114,111)	CKSRYB104K50
C 493	(B,140,82)	CKSSYB104K10	C 772	(B,149,111) (C,D,E,F,G)	CKSSYB104K10
C 494	(B,142,99)	CKSSYB104K10	C 781	(A,29,112) 4.7 uF	CCG1201
C 495	(B,143,99)	CKSSYB104K10	C 782	(A,43,112) 4.7 uF	CCG1201
C 496	(B,144,78)	CCSSCH4R0C50	C 783	(A,27,112) 4.7 uF	CCG1201
			C 784	(A,38,112) 4.7 uF	CCG1201
■					
C 497	(B,141,81)	CCSSCH5R0C50	C 785	(A,33,112) 4.7 uF	CCG1201
C 498	(B,148,88)	CKSSYB104K10	C 786	(A,45,112) 4.7 uF	CCG1201
C 499	(B,148,89)	CKSSYB104K10	C 788	(A,22,113)	CKSSYB102K50
C 500	(B,150,87)	CKSSYB103K16	C 831	(B,129,110)	CKSSYB681K50
C 501	(A,139,88) 10 uF	CCG1192	C 832	(B,129,113) 47 uF	CCG1251
C					
C 502	(B,131,87)	CKSSYB103K16	C 833	(B,134,106) 47 uF	CCG1251
C 503	(B,131,94)	CKSSYB103K16	C 834	(B,129,100)	CKSSYB104K10
C 504	(B,135,82)	CKSSYB103K16	C 835	(B,119,102)	CKSSYB681K50
C 511	(A,138,85)	CKSSYB103K16	C 836	(B,115,107) 47 uF	CCG1251
C 512	(A,142,96)	CKSRYB105K10	C 837	(B,124,96) 47 uF	CCG1251
■					
C 513	(A,139,94)	CKSRYB105K10	C 838	(B,119,92)	CKSSYB104K10
C 514	(A,142,90)	CKSSYB104K10	C 839	(B,111,96)	CKSYB225K25
C 521	(B,107,41)	CKSSYB104K10	C 840	(B,116,92)	CKSSYB103K16
C 522	(B,103,45)	CKSSYB104K10	C 841	(B,111,101)	CKSSYB103K25
C 523	(B,101,48)	CKSSYB104K10	C 842	(A,128,99) 47 uF	CCG1251
D					
C 524	(A,103,41)	CKSSYB104K10	C 844	(B,126,111)	CKSRYB105K16
C 526	(B,103,40)	CKSSYB104K10	C 846	(B,114,104)	CKSRYB105K16
C 530	(B,90,44) 10 uF	CCG1192	C 847	(A,140,110) 47 uF	CCG1251
C 531	(B,97,40)	CKSSYB104K10	C 848	(A,140,103) 47 uF	CCG1251
C 532	(B,97,44)	CKSSYB104K10	C 853	(A,153,116)	CKSRYB104K50
■					
C 533	(A,99,41)	CKSSYB104K10	C 854	(B,150,104)	CKSRYB104K50
C 571	(A,20,16) 0.1 uF	CCG1321	C 855	(B,121,106)	CKSYB225K25
C 572	(A,18,23) 0.1 uF	CCG1321	C 856	(B,127,100)	CKSSYB103K16
C 591	(A,82,41)	CKSRYB105K10	C 857	(B,123,110)	CKSSYB103K25
C 592	(A,85,41)	CKSRYB105K10	C 858	(A,130,105) 47 uF	CCG1251
E					
C 593	(A,89,41)	CKSRYB105K10	C 859	(A,113,100) 47 uF	CCG1256
C 594	(A,93,41)	CKSRYB105K10	C 860	(A,116,110) 47 uF	CCG1256
C 595	(A,77,53)	CKSSYB105K6R3	C 861	(A,120,111)	CKSSYB681K50
C 596	(A,91,41)	CKSRYB105K10	C 862	(A,114,97)	CKSSYB681K50
C 597	(A,87,41)	CKSRYB105K10	C 871	(B,118,36)	CCSSCH100D50
■					
C 598	(A,84,41)	CKSRYB105K10	C 872	(B,116,36)	CCSSCH100D50
C 599	(A,97,45)	CKSRYB105K10	C 873	(B,107,36)	CCSSCH100D50
C 601	(A,33,59)	CCSSCH101J50	C 874	(B,103,36)	CCSSCH100D50
C 602	(A,31,59)	CCSSCH101J50	C 875	(B,102,36)	CCSSCH100D50
C 603	(A,32,59)	CCSSCH101J50	C 876	(B,126,18)	CKSSYB104K10
F					
C 604	(B,57,39)	CKSRYB105K10	C 877	(B,123,36)	CKSSYB104K10
C 605	(A,55,40)	CCSSCH180J50	C 878	(B,126,13)	CKSSYB104K10
C 606	(A,54,37)	CCSSCH180J50	C 879	(B,117,42)	CKSSYB104K10
C 607	(B,51,50)	CKSSYB104K10	C 880	(B,127,9)	CKSRYB104K16
C 608	(B,53,29)	CKSSYB104K10	C 901	(B,21,70)	CKSQYB225K10
■					
C 609	(B,55,37)	CKSSYB104K10	C 902	(B,20,73)	CKSQYB225K10
C 610	(B,49,36)	CKSQYB475K6R3			

1

2

3

4

5		6		7		8	
<u>Circuit Symbol and No.</u>		<u>Part No.</u>		<u>Circuit Symbol and No.</u>		<u>Part No.</u>	
C 903	(B,26,69)	CKSSYB681K50		C 1046	(B,150,56)	CKSSYB104K10	
C 904	(B,20,76)	CKSQYB225K10		C 1047	(B,136,56)	CKSSYB104K10	
C 905	(B,21,80)	CKSQYB225K10					
C 906	(B,25,78)	CKSSYB681K50		C 1048	(B,150,55)	CKSSYB104K10	A
				C 1049	(B,136,55)	CKSSYB104K10	
C 907	(B,28,74)	CKSRYB104K16		C 1050	(B,136,54)	CKSSYB104K10	
C 912	(A,17,82)	CKSSYB104K10		C 1051	(B,136,53)	CKSSYB104K10	
C 913	(A,22,81)	CEVW101M16		C 1052	(B,136,52)	CKSSYB104K10	
C 918	(B,18,84)	CCSSCK2R0C50		C 1053	(B,150,52)	CKSSYB104K10	
C 919	(B,21,60)	CCSSCH220J50		C 1054	(B,136,51)	CKSSYB104K10	
C 951	(B,169,102) 10 uF	CCG1192		C 1055	(B,150,51)	CKSSYB104K10	
C 952	(B,155,98)	CKSSYB104K10		C 1056	(B,136,50)	CKSSYB104K10	
C 953	(B,163,104)	CKSSYB104K10		C 1057	(B,150,50)	CKSSYB104K10	
C 954	(B,161,104)	CKSSYB104K10		C 1058	(B,126,48) 4.7 uF	CCG1201	
C 955	(B,167,98)	CKSSYB103K16		C 1059	(B,150,46)	CKSSYB104K10	B
C 956	(B,155,96)	CKSSYB103K16		C 1060	(B,148,48)	CKSSYB104K10	
C 957	(B,153,96) 10 uF	CCG1192		C 1061	(B,147,48)	CKSSYB104K10	
C 958	(B,154,96)	CKSSYB103K16		C 1062	(B,144,48)	CKSSYB104K10	
C 959	(B,161,93)	CKSSYB103K16		C 1063	(B,143,48)	CKSSYB104K10	
C 960	(B,154,101) 10 uF	CCG1192		C 1064	(B,142,48)	CKSSYB104K10	
C 961	(B,167,94)	CKSSYB102K50		C 1065	(B,141,48)	CKSSYB104K10	
C 1002	(A,157,73)	CCSSCH100D50		C 1066	(B,140,48)	CKSSYB104K10	
C 1003	(B,168,68)	CCSSCH120J50		C 1067	(B,139,48)	CKSSYB104K10	
C 1004	(B,130,68) 4.7 uF	CCG1201		C 1068	(B,134,46)	CKSSYB104K10	
C 1005	(B,128,65) 4.7 uF	CCG1201		C 1069	(B,147,50)	CKSSYB104K10	
C 1006	(B,131,59) 4.7 uF	CCG1201		C 1070	(B,146,48)	CKSSYB104K10	C
C 1007	(B,131,60) 4.7 uF	CCG1201		C 1071	(B,147,57)	CKSSYB104K10	
C 1008	(B,132,64) 4.7 uF	CCG1201		C 1072	(B,140,59)	CKSSYB104K10	
C 1009	(B,136,66)	CKSSYB104K10		C 1073	(B,138,57)	CKSSYB104K10	
C 1010	(B,136,64)	CKSSYB104K10		C 1074	(B,140,51)	CKSSYB104K10	
C 1011	(B,135,60)	CKSSYB104K10		C 1075	(B,147,56)	CKSSYB104K10	
C 1012	(B,140,62)	CKSSYB104K10		C 1076	(B,141,51)	CKSSYB104K10	
C 1013	(B,139,62)	CKSSYB104K10		C 1078	(B,147,55)	CKSSYB104K10	
C 1014	(B,152,58)	CCSSCH180J50		C 1079	(B,144,51)	CKSSYB104K10	
C 1015	(A,155,69)	CCSSCH100D50		C 1080	(B,147,54)	CKSSYB104K10	
C 1016	(B,163,67)	CCSSCH6R0D50		C 1081	(B,145,51)	CKSSYB104K10	
C 1017	(B,133,68)	CKSSYB104K10		C 1082	(B,147,53)	CKSSYB104K10	D
C 1018	(B,135,64)	CKSSYB104K10		C 1083	(B,138,53)	CKSSYB104K10	
C 1019	(B,134,59)	CKSSYB104K10		C 1084	(B,145,59)	CKSSYB104K10	
C 1020	(B,133,61)	CKSSYB104K10		C 1085	(B,138,54)	CKSSYB104K10	
C 1021	(B,134,63)	CKSSYB104K10		C 1087	(B,144,59)	CKSSYB104K10	
C 1026	(A,161,73)	CKSSYB104K10		C 1088	(B,141,59)	CKSSYB104K10	
C 1027	(B,163,72)	CKSSYB104K10		C 1089	(B,138,56)	CKSSYB104K10	
C 1028	(B,147,66)	CKSSYB104K10		C 1090	(B,138,55)	CKSSYB104K10	
C 1029	(B,147,67) 4.7 uF	CCG1201		C 1093	(B,145,61) 4.7 uF	CCG1201	
C 1030	(B,143,67) 4.7 uF	CCG1201		C 1094	(B,159,73)	CKSSYB104K10	
C 1031	(B,143,66)	CKSSYB104K10		C 1095	(B,138,51)	CKSSYB104K10	
C 1032	(B,141,62)	CKSSYB104K10		C 1096	(B,138,48)	CKSSYB104K10	E
C 1033	(B,142,62)	CKSSYB104K10		C 1097	(B,136,48)	CKSSYB105K6R3	
C 1034	(A,129,67)	CCSSCH120J50		C 1098	(B,145,48)	CKSSYB105K6R3	
C 1035	(A,125,65)	CCSSCH8R0D50		C 1099	(B,141,46) 10 uF	CCG1192	
C 1036	(B,147,62)	CKSSYB104K10		C 1105	(B,120,49) 10 uF	CCG1192	
C 1037	(B,148,62)	CKSSYB104K10		C 1108	(A,129,41)	CCSSCH560J50	
C 1038	(B,149,62)	CKSSYB104K10		C 1201	(B,129,26)	CKSSYB104K10	
C 1039	(B,138,60)	CKSSYB104K10		C 1202	(B,129,24)	CKSSYB104K10	
C 1040	(B,136,59)	CKSSYB104K10		C 1203	(B,128,33)	CKSSYB104K10	
C 1041	(A,129,60)	CCSSCH100D50		C 1204	(B,128,31)	CKSSYB104K10	
C 1042	(B,150,59)	CKSSYB104K10		C 1205	(B,131,31)	CKSSYB104K10	F
C 1043	(B,150,58)	CKSSYB104K10		C 1206	(B,128,30)	CKSSYB104K10	
C 1044	(B,150,57)	CKSSYB104K10		C 1207	(B,128,28)	CKSSYB104K10	
C 1045	(A,125,57)	CCSSCH9R0D50		C 1208	(B,131,28)	CKSSYB104K10	

1

2

3

4

**Circuit Symbol and No.****Part No.****Circuit Symbol and No.****Part No.**

C 1209	(A,126,26)	CKSSYB104K10	C 1338	(B,89,65)	CKSRYB103K50
C 1210	(A,128,19)	CKSSYB104K10	C 1339	(B,93,66)	CKSRYB105K10
A C 1211	(B,135,33)	CKSSYB104K10	C 1340	(B,91,65)	CCSRCH681J50
C 1212	(B,135,31)	CKSSYB104K10	C 1341	(A,68,82)	CKSSYB102K50
C 1213	(B,133,31)	CKSSYB104K10	C 1342	(A,66,82) 10 uF	CCG1236
C 1214	(B,135,30)	CKSSYB104K10	C 1343	(A,79,70) 10 uF	CCG1236
C 1215	(B,137,29)	CKSSYB104K10	C 1344	(A,58,81)	CEAT332M16
C 1216	(B,133,28)	CKSSYB104K10	C 1345	(A,82,70) 10 uF	CCG1236
C 1217	(A,137,26)	CKSSYB104K10	C 1347	(A,104,69) 47 uF	CCG1256
C 1218	(A,137,23)	CKSSYB104K10	C 1348	(A,99,69) 10 uF	DCH1165
C 1219	(B,154,26)	CKSSYB104K10	C 1349	(A,102,69) 10 uF	DCH1165
C 1220	(B,154,24)	CKSSYB104K10	C 1350	(A,98,69)	CKSSYB104K16
C 1221	(B,150,33)	CKSSYB104K10	C 1351	(A,97,69)	CKSSYB102K50
C 1222	(B,150,31)	CKSSYB104K10	C 1352	(A,96,69)	CCSSCH101J50
C 1223	(B,153,31)	CKSSYB104K10	C 1361	(A,81,58)	CKSRYB105K10
C 1224	(B,150,30)	CKSSYB104K10	C 1362	(A,91,58)	CKSRYB105K10
C 1225	(B,151,28)	CKSSYB104K10	C 1365	(A,95,21)	CKSRYB104K16
C 1226	(B,152,27)	CKSSYB104K10	C 1366	(A,90,23)	CEAT471M16
C 1227	(A,148,25)	CKSSYB104K10	C 1371	(A,117,18)	CKSQYB475K6R3
C 1228	(A,150,18)	CKSSYB104K10	C 1372	(A,121,18)	CKSQYB475K6R3
C 1229	(B,157,33)	CKSSYB104K10	C 1381	(B,108,90)	CKSQYB475K6R3
C 1230	(B,157,31)	CKSSYB104K10	C 1382	(B,98,94)	CKSQYB475K6R3
C 1231	(B,155,31)	CKSSYB104K10	C 1385	(B,101,100)	CKSRYB105K10
C 1232	(B,157,30)	CKSSYB104K10	C 1386	(B,101,102)	CKSRYB105K10
C 1233	(B,157,28)	CKSSYB104K10	C 1391	(A,115,90)	CKSQYB475K6R3
C 1234	(B,156,28)	CKSSYB104K10	C 1392	(A,115,78)	CKSQYB475K6R3
C 1235	(A,159,26)	CKSSYB104K10	C 1393	(A,115,80) 10 uF	CCG1192
C 1236	(A,159,23)	CKSSYB104K10	C 1396	(A,127,71) 10 uF	CCG1192
C 1237	(B,130,24)	CKSSYB105K6R3	C 1397	(A,127,73) 10 uF	CCG1192
C 1238	(B,155,24)	CKSSYB105K6R3	C 1401	(A,112,53) 10 uF	CCG1192
C 1239	(B,131,23) 10 uF	CCG1192	C 1402	(A,102,52) 10 uF	CCG1192
C 1240	(B,157,25) 10 uF	CCG1192	C 1403	(A,108,43)	CKSSYB392K50
C 1241	(B,161,38)	CKSSYB104K10	C 1404	(A,107,44)	CKSSYB104K10
C 1301	(A,38,64)	CKSSYB103K16	C 1405	(A,117,54) 10 uF	CCG1192
C 1302	(A,53,72)	CKSSYB104K16	C 1406	(A,117,56) 10 uF	CCG1192
D C 1303	(A,22,69) Capacitor	CEVW470M16	C 1407	(A,102,51) 10 uF	CCG1192
C 1304	(A,31,65) 0.1 uF	CCG1321	C 1408	(A,105,54)	CKSRYB681K50
C 1306	(A,45,64) Capacitor	CEVW331M16	C 1409	(A,111,48)	CCSSCH221J50
C 1307	(A,119,66)	CKSRYB102K50	C 1410	(A,117,53) 10 uF	CCG1192
C 1311	(A,168,83) 0.1 uF	CCG1321	C 1411	(A,112,54)	CKSRYB103K50
C 1312	(A,168,93)	CEVW101M16	C 1412	(A,110,66) 10 uF	CCG1192
C 1313	(A,169,78)	CKSYB105K35	C 1414	(A,119,71) 10 uF	CCG1192
C 1314	(A,165,77)	CKSYB475K16	C 1415	(A,121,71) 10 uF	CCG1192
C 1321	(B,106,73)	CKSSYB102K50	C 1416	(A,112,51) 10 uF	CCG1192
C 1322	(A,97,77)	CKSSYB102K50	C 1417	(A,102,49) 10 uF	CCG1192
C 1323	(A,98,77)	CKSSYB104K16	C 1431	(A,100,15)	CKSSYB102K50
E C 1324	(A,99,76) 10 uF	CCG1236	C 1432	(A,98,9)	CEVW101M16
C 1325	(A,102,76) 10 uF	CCG1236	C 1433	(A,105,8)	CKSRYB105K10
C 1326	(A,104,76) 47 uF	CCG1233	C 1434	(A,101,17)	CKSSYB104K10
C 1327	(A,82,76) 10 uF	CCG1236	C 1435	(A,111,27)	CKSSYB103K16
C 1328	(A,79,76) 10 uF	CCG1236	C 1436	(A,78,65) Capacitor	CEVLW100M16
C 1329	(B,91,82)	CCSRCH561J50	C 1437	(A,75,60)	CKSSYB103K16
C 1330	(B,93,79)	CKSSYB104K10	C 1441	(B,69,84)	CKSSYB104K16
C 1331	(B,90,82)	CKSRYB103K50	C 1444	(B,68,67)	CKSSYB103K16
C 1332	(B,90,79)	CCSRCH8R0D50	C 1445	(B,68,76) 4.7 uF	CCG1222
C 1333	(B,84,73)	CKSYB105K35	C 1446	(B,68,69)	CKSRYB104K16
F C 1334	(B,88,80)	CKSSYB104K16	C 1447	(B,65,65)	CKSSYB104K16
C 1335	(B,88,67)	CKSSYB104K16	C 1448	(B,64,64) 4.7 uF	CCG1222
C 1336	(B,90,67)	CCSRCH100D50	C 1449	(B,70,69)	CCSSCH271J50
C 1337	(B,96,67)	CKSSYB103K16	C 1450	(B,62,65)	CKSSYB104K16

1

2

3

4

5			6			7			8		
<u>Circuit Symbol and No.</u>			<u>Part No.</u>			<u>Circuit Symbol and No.</u>			<u>Part No.</u>		
C 1463	(A,25,91)	Capacitor	CEVW221M10	C 6027	(A,64,30)	2.2 uF	CCG1205	C 6030	(A,64,34)	CKSSYB104K10	
C 1464	(A,30,81)		CKSQYB225K10	C 6031	(A,62,33)		CKSSYB104K10	C 6032	(A,61,34)	CKSSYB104K10	A
C 1465	(A,31,84)		CKSRYB105K10	C 6033	(A,57,34)		CKSSYB104K10	C 6034	(A,52,34)	CKSSYB104K10	
C 2001	(B,22,32)		CKSRYB104K50	C 6035	(A,52,35)	2.2 uF	CCG1205	C 6036	(A,49,33)	CKSSYB104K10	
C 2011	(B,71,41)		CKSRYB104K50	C 6038	(A,46,34)	2.2 uF	CCG1205	C 6040	(A,42,32)	CCSSCH100D50	
C 2012	(B,70,41)		CCSSCH101J50	C 6041	(A,40,27)		CCSSCH100D50	C 6042	(A,46,27)	CKSSYB104K10	
C 2031	(B,52,46)	4.7 uF	CCG1201	C 6043	(B,43,12)		CKSSYB472K25	C 6044	(B,40,11)	CKSSYB472K25	
C 2032	(B,57,44)	4.7 uF	CCG1201	C 6045	(A,43,24)		CKSRYB105K10	C 6046	(A,47,24)	CKSSYB224K6R3	B
C 2033	(B,48,45)		CCSSCH101J50	C 6047	(A,47,22)		CKSRYB224K16	C 6048	(A,48,22)	CKSSYB223K16	
C 2041	(A,162,36)		CKSRYB104K50	C 6049	(A,56,15)		CKSSYB223K16	C 6052	(A,64,28)	CKSSYB104K10	
C 2042	(A,166,36)		CKSRYB104K50	C 6056	(B,41,10)		CCSSCH100D50	C 6057	(B,44,11)	CCSSCH100D50	
C 2073	(B,153,46)	(C,D,E,F,G)	CKSSYB104K10	C 6058	(A,45,11)		CKSSYB103K16	C 6059	(A,38,17)	CKSSYB103K16	
C 2074	(B,150,37)	(C,D,E,F,G)	CKSRYB104K50	C 6063	(A,44,22)		CKSSYB103K16				C
C 2075	(B,150,39)		CCSSCH101J50								
C 2093	(A,52,56)		CKSSYB104K10								
C 2101	(B,115,58)	4.7 uF	CCG1201								
C 2102	(B,115,61)		CKSRYB105K10								
C 2103	(A,116,48)	Capacitor	CEVW220M16								
C 2104	(A,110,51)		CKSRYB105K10								
C 2113	(B,126,37)		CCSSCH101J50								
C 2114	(B,129,35)		CCSSCH101J50								
C 2126	(A,148,66)	10 uF	CCG1192								
C 2127	(A,140,64)	10 uF	CCG1192								
C 2129	(A,158,61)		CKSRYB105K10								
C 2134	(A,166,58)	Capacitor	CEVW221M4								
C 2135	(A,166,51)	Capacitor	CEVW221M4								
C 2139	(A,141,43)	10 uF	CCG1192								
C 2141	(A,148,38)		CKSSYB104K10								
C 2144	(B,144,65)		CKSSYB104K10								
C 2145	(A,148,36)	10 uF	CCG1192								
C 2169	(A,105,38)		CKSQYB225K16								
C 2170	(A,105,39)		CKSQYB225K16								
C 2171	(A,105,41)		CKSQYB225K16								
C 2172	(A,105,43)		CKSQYB225K16								
C 2173	(A,108,44)		CKSQYB225K16								
C 6001	(A,57,10)		CCSSCH330J50								
C 6002	(A,49,14)		CCSSCH6R0D50								
C 6003	(A,47,14)		CKSSYB103K16								
C 6004	(A,55,15)		CKSSYB104K10								
C 6005	(A,57,18)		CKSSYB104K10								
C 6006	(A,48,17)		CKSSYB103K16								
C 6007	(A,56,18)		CKSSYB104K10								
C 6008	(A,64,13)		CCSSCJ3R0C50								
C 6009	(A,50,20)		CKSSYB103K16								
C 6010	(A,56,19)		CKSSYB103K16								
C 6011	(A,59,18)		CKSSYB103K16								
C 6012	(A,60,15)	10 uF	CCG1192								
C 6013	(A,51,18)		CKSSYB103K16								
C 6014	(A,52,17)		CKSRYB105K10								
C 6015	(A,59,10)		CKSSYB103K16								
C 6016	(A,67,33)		CKSRYB104K16								
C 6017	(A,60,19)		CKSSYB223K16								
C 6018	(A,50,19)		CKSSYB223K16								
C 6020	(B,59,32)		CKSSYB102K50								
C 6021	(A,64,20)	10 uF	CCG1192								
C 6022	(A,63,23)		CKSSYB104K10								
C 6023	(A,66,23)		CCSSCH101J50								
C 6024	(A,63,26)		CKSSYB104K10								
C 6025	(A,65,24)		CKSSYB103K16								
C 6026	(A,66,29)		CCSSCH820J50								



**Unit Number : YWX5033**

**Unit Name : DVD Core Unit**

**MISCELLANEOUS**

IC 1002	(B,15,13)	Regulator IC	S-1133B50-U5
IC 1003	(B,37,11)	IC	S-1200B50-M5
IC 1004	(B,64,28)	IC	NJM2855DL1-33
IC 1251	(A,12,42)	IC	BA5839FP
IC 1401	(B,27,41)	Flash ROM Unit	CWW5043
IC 1402	(B,45,28)	Flash ROM Unit	CWW5044
IC 1480	(A,64,30)	RAM IC	M12L64164A-5TG2M
IC 1501	(A,39,33)	IC	MN2DS0018MA
IC 1801	(B,34,16)	D/A Converter	PCM1753DBQ
IC 1953	(B,57,17)	IC	S-1135D12-A6
Q 1101	(B,13,59)	Transistor	2SC4081
Q 1102	(B,13,56)	Transistor	2SC4081
Q 1103	(B,10,63)	Transistor	KTA1664
Q 1104	(B,22,54)	Transistor	KTA1664
L 1501	(A,54,31)	Inductor	CTF1743
L 1511	(A,48,17)	Chip Beads	VTL1126
L 1902	(A,17,17)	Inductor	CTF1487
L 1903	(B,63,16)	Inductor	CTF1558
L 1904	(A,68,18)	Ferrite Bead	CTF1528
X 1501	(B,48,18)	Oscillator 27.000 MHz	CSS1823
F 1001	(A,14,19)	Chip EMI Filter	DTF1106
F 1002	(B,63,18)	Chip EMI Filter	DTL1106
S 1	(A,47,55)	Spring Switch(HOME)	CSN1080
S 3	(B,25,13)	Spring Switch(12EJ)	CSN1081
VR1101	(A,7,63)	Semi-fixed 6.8 kohm(B)	CCP1447
VR1102	(A,7,60)	Semi-fixed 15 kohm(B)	CCP1449
CN1101	(A,21,63)	Connector	CKS6331

1

2

3

4

**Circuit Symbol and No.****Part No.****Circuit Symbol and No.****Part No.**

CN1952 (A,42,11) Connector

CKS6025

R 1513 (A,23,38)

RS1/16SS103J

R 1514 (A,24,40)

RS1/16SS183J

R 1516 (A,24,36)

RS1/16SS104J

R 1517 (B,57,22)

RS1/16SS103J

**RESISTORS**

A

R 1004 (B,12,20)

RS1/16SS4702D

R 1518 (B,33,31)

RS1/16SS103J

R 1007 (B,12,21)

RS1/16SS6801D

R 1519 (A,24,43)

RS1/16SS102J

R 1019 (B,34,7)

RS1/16SS101J

R 1522 (A,21,37)

RS1/16SS104J

R 1025 (B,36,6)

RS1/16SS101J

R 1523 (A,22,37)

RS1/16SS221J

R 1027 (A,40,18)

RS1/16SS101J

R 1524 (B,29,33)

RS1/16SS472J

R 1101 (B,15,57)

RS1/16SS104J

R 1525 (A,24,44)

RS1/16SS103J

R 1102 (B,10,56)

RS1/16SS104J

R 1526 (A,22,40)

RS1/16SS103J

R 1103 (B,14,61)

RS1/16SS4300F

R 1527 (A,35,49)

RS1/16SS682J

R 1104 (B,11,59)

RS1/16SS5100F

R 1528 (B,19,34)

RS1/16SS103J

R 1105 (B,17,54)

RS1/16SS4300F

R 1529 (B,35,21)

RS1/16SS103J

B

R 1106 (B,10,57)

RS1/16SS5600F

R 1530 (B,17,34)

RS1/16SS103J

R 1109 (B,6,57)

RS1/16SS3R3J

R 1531 (B,33,30)

RS1/16SS103J

R 1110 (B,16,54)

RS1/16SS3R3J

R 1532 (A,24,42)

RS1/16SS101J

R 1111 (B,6,63)

RS1/10SR3R3J

R 1533 (A,29,47)

RS1/16SS104J

R 1112 (B,5,58)

RS1/10SR3R3J

R 1534 (B,29,48)

RS1/16SS221J

R 1113 (B,15,59)

RS1/10SR3R9J

R 1535 (A,22,44)

RS1/16SS104J

R 1114 (B,19,57)

RS1/10SR3R3J

R 1536 (B,32,48)

RS1/16SS104J

R 1115 (B,6,61)

RS1/10SR2R7J

R 1537 (A,24,46)

RS1/16SS104J

R 1116 (B,6,62)

RS1/10SR2R7J

R 1538 (A,55,35)

RS1/16SS104J

R 1117 (B,17,59)

RS1/10SR3R9J

R 1539 (B,33,48)

RS1/16SS104J

C

R 1118 (B,16,59)

RS1/10SR3R9J

R 1540 (A,26,46)

RS1/16SS221J

R 1223 (A,42,50)

RS1/16SS561J

R 1541 (A,26,45)

RS1/16SS221J

R 1225 (B,29,8)

RS1/16SS471J

R 1542 (B,26,34)

RS1/16SS103J

R 1251 (A,5,48)

RS1/16SS333J

R 1546 (A,33,49)

RS1/16SS682J

R 1252 (A,5,47)

RS1/16SS473J

R 1601 (A,32,17)

RS1/16SS123J

R 1253 (A,5,46)

RS1/16SS333J

R 1602 (A,32,18)

RS1/16SS123J

R 1254 (A,5,45)

RS1/16SS473J

R 1603 (B,31,21)

RS1/16SS1002D

R 1255 (A,21,48)

RS1/16SS183J

R 1604 (A,23,21)

RS1/16SS105J

R 1256 (A,21,46)

RS1/16SS752J

R 1605 (A,22,23)

RS1/16SS105J

R 1257 (B,8,37)

RS1/16SS221J

R 1670 (B,40,21)

RS1/16SS1002D

R 1258 (A,19,39)

RS1/16SS221J

R 1671 (B,42,19)

RS1/16SS2402D

D

R 1401 (B,34,28)

RS1/16SS221J

R 1672 (A,39,18)

RS1/16SS2000D

R 1402 (B,34,47)

RS1/16SS104J

R 1674 (A,36,17)

RS1/16SS3002D

R 1405 (B,55,35)

RS1/16SS104J

R 1801 (B,41,8)

RS1/16SS104J

R 1406 (B,39,45)

RS1/16SS472J

R 1802 (B,43,8)

RS1/16SS104J

R 1480 (A,72,24)

RAB4CQ560J

R 1803 (B,37,13)

RS1/16SS821J

R 1481 (A,72,28)

RAB4CQ560J

R 1804 (B,39,14)

RS1/16SS821J

R 1482 (A,72,32)

RAB4CQ560J

R 1982 (A,10,62)

RS1/16SS822J

R 1483 (A,72,35)

RAB4CQ560J

R 1983 (B,40,20)

RS1/16SS1000D

R 1484 (A,72,39)

RAB4CQ560J

R 1987 (B,43,21)

RS1/16SS0R0J

R 1485 (A,55,22)

RAB4CQ560J

**CAPACITORS**

E

R 1486 (A,55,28)

RAB4CQ560J

C 1001 (B,34,10)

CKSRYB105K10

R 1487 (A,56,37)

RAB4CQ560J

C 1002 (B,12,17)

CKSSYB104K16

R 1488 (A,55,40)

RAB4CQ560J

C 1003 (B,15,19)

CKSSYB104K16

R 1489 (A,54,30)

RS1/16SS560J

C 1004 (B,15,17) 4.7 uF

CCG1201

R 1490 (A,72,21)

RS1/16SS560J

C 1005 (B,40,11)

CKSRYB105K16

R 1501 (B,48,21)

RS1/16SS122J

C 1010 (B,60,23)

CKSQYB225K10

R 1503 (B,46,21)

RS1/16SS105J

C 1011 (B,64,22)

CKSRYB105K10

R 1504 (A,50,17)

RS1/16SS121J

C 1015 (A,25,7)

CKSSYB102K50

R 1505 (B,45,15)

RS1/16SS101J

C 1016 (B,64,15)

CKSSYB102K50

R 1506 (B,45,14)

RS1/16SS101J

C 1018 (B,14,21)

CKSSYB104K10

R 1507 (B,43,17)

RS1/16SS101J

C 1040 (B,51,7)

CCSRCH821J50

R 1508 (B,42,18)

RS1/16SS221J

C 1041 (B,19,11)

CCSRCH271J50

F

R 1509 (A,20,34)

RS1/16SS102J

C 1101 (B,14,53) 10 uF

CCG1192

R 1510 (A,11,29)

RS1/16SS102J

R 1512 (A,55,32)

RS1/16SS470J

5		6		7		8	
<u>Circuit Symbol and No.</u>		<u>Part No.</u>		<u>Circuit Symbol and No.</u>		<u>Part No.</u>	
C 1104	(B,7,57)	CKSSYB104K10		C 1604	(A,30,17)	CCSSCH680J50	
C 1105	(B,18,54)	CKSSYB104K10		C 1605	(A,30,18)	CCSSCH680J50	
C 1106	(B,8,66)	CKSSYB103K16		C 1606	(A,35,19)	CKSSYB104K10	A
C 1107	(B,25,53)	CKSSYB103K16		C 1607	(A,20,24) 10 uF	CCG1192	
C 1108	(A,19,57)	CKSSYB103K16		C 1608	(A,28,18) 4.7 uF	CCG1201	
C 1109	(A,7,57)	CKSRYB224K16		C 1609	(A,26,22)	CKSSYB104K10	
C 1110	(A,17,58)	CKSSYB103K16		C 1612	(A,24,24)	CKSSYB104K10	
C 1111	(A,9,66)	CKSRYB224K16		C 1613	(A,24,25)	CKSSYB104K10	
C 1112	(B,17,52) 22 uF	DCH1256		C 1614	(A,22,24)	CKSSYB104K10	
C 1113	(B,8,58) 22 uF	DCH1256		C 1615	(A,23,26)	CKSSYB104K10	
C 1210	(B,77,34)	CKSSYB104K16		C 1616	(A,24,27)	CKSSYB104K10	
C 1251	(B,12,41)	CEVW101M16		C 1617	(B,27,28)	CKSSYB104K10	
C 1252	(B,7,41) 4.7 uF	CCG1222		C 1618	(A,22,29)	CCSSCH101J50	
C 1253	(B,7,39)	CKSSYB104K16		C 1619	(A,23,30)	CKSSYB562K25	B
C 1254	(A,6,38)	CKSSYB104K16		C 1620	(B,27,30)	CKSSYB224K6R3	
C 1255	(A,18,37)	CKSSYB104K16		C 1621	(A,22,31)	CKSSYB224K6R3	
C 1401	(B,34,27)	CKSSYB104K16		C 1622	(A,24,31)	CKSSYB333K16	
C 1403	(B,39,40)	CKSSYB104K10		C 1623	(A,27,20)	CKSRYB105K10	
C 1404	(B,40,40) 4.7 uF	CCG1201		C 1624	(A,24,32)	CKSSYB104K10	
C 1408	(B,57,27)	CKSSYB104K10		C 1625	(A,24,29)	CKSSYB104K10	
C 1409	(B,58,29) 4.7 uF	CCG1201		C 1671	(A,41,18)	CKSSYB104K10	
C 1410	(B,33,29)	CKSSYB104K16		C 1673	(A,37,19)	CKSSYB104K10	
C 1480	(A,71,19)	CKSSYB104K10		C 1674	(B,42,20)	CKSSYB104K10	
C 1481	(A,72,22)	CKSSYB104K10		C 1676	(B,38,21)	CKSRYB105K10	
C 1482	(A,72,26)	CKSSYB104K10		C 1801	(B,42,10) 4.7 uF	CCG1201	C
C 1484	(A,72,30)	CKSSYB104K10		C 1802	(B,46,10) 4.7 uF	CCG1201	
C 1485	(A,72,41)	CKSSYB104K10		C 1803	(B,42,12)	CCSRCH182J50	
C 1487	(A,57,29)	CKSSYB104K10		C 1804	(B,45,12)	CCSRCH182J50	
C 1488	(A,57,25)	CKSSYB104K10		C 1805	(B,34,13)	CKSSYB104K10	
C 1489	(A,64,17) 10 uF	CCG1192		C 1806	(B,32,13) 10 uF	CCG1192	
C 1490	(A,66,18)	CKSSYB102K50		C 1809	(B,39,16)	CKSSYB104K10	
C 1501	(B,61,20) 10 uF	CCG1192		C 1953	(B,60,17)	CKSRYB105K10	
C 1502	(B,54,20) 10 uF	CCG1192		C 1954	(B,54,17)	CKSRYB105K10	
C 1503	(A,54,33)	CKSSYB104K10		C 1955	(B,77,40)	CKSSYB104K16	
C 1504	(A,53,24)	CKSSYB104K10					
C 1505	(A,53,27)	CKSSYB104K10					
C 1506	(B,52,35)	CKSSYB104K10					
C 1507	(A,53,36)	CKSSYB104K10					
C 1508	(A,53,39)	CKSSYB104K10					
C 1509	(A,53,42)	CKSSYB104K10					
C 1510	(B,51,18)	CCSSCH100D50					
C 1511	(A,48,18)	CKSSYB104K10					
C 1512	(B,45,18)	CCSSCH100D50		IC 4001	(A,128,70) IC	OZ527IRN	
C 1513	(A,48,48)	CKSSYB104K10		IC 4051	(A,93,74) IC	NJM2886DL3-33	
C 1514	(B,45,21)	CKSSYB104K10		IC 4151	(A,132,21) IC	AK4187VN	
C 1515	(A,45,18)	CKSSYB104K10		IC 4200	(A,23,59) IC	PDY087A8	
C 1516	(A,43,48)	CKSSYB104K10		IC 4300	(A,55,77) IC	R1290K103A	E
C 1517	(A,42,48)	CKSSYB104K10		Q 4051	(A,136,16) Transistor	2SA1576A	
C 1518	(A,38,48)	CKSSYB104K10		Q 4131	(A,140,13) Transistor	HN1C01FU	
C 1519	(A,34,47)	CKSSYB104K10		Q 4132	(A,146,11) Transistor	2SC4081	
C 1520	(A,27,47)	CKSSYB104K10		Q 4300	(A,62,71) Transistor	DRC9A14E0	
C 1521	(A,24,34)	CKSSYB104K10		Q 4301	(A,55,85) Transistor	2SA1577	
C 1522	(A,25,38)	CKSSYB104K10		Q 4400	(A,8,57) Transistor	2SC4081	
C 1523	(A,20,46)	CKSSYB224K6R3		Q 4401	(A,10,63) Transistor	2SA1576A	
C 1524	(A,20,48)	CKSSYB473K16		D 4001	(A,134,62) Diode	DB2X41400	
C 1526	(A,24,37)	CKSSYB103K16		D 4300	(A,47,84) Diode	RB160M-30	
C 1528	(B,30,48)	CCSSCH471J50		D 4301	(A,65,77) Diode	RB548W	F
C 1601	(A,32,19)	CKSSYB103K16		D 4302	(A,69,83) Diode	RB548W	
C 1602	(A,34,17)	CCSSCH101J50		D 4303	(A,64,84) Diode	RB548W	
C 1603	(A,33,18)	CCSSCH101J50		L 4001	(A,138,78) Inductor	CTF1545	

**E**  
**Unit Number : CXX4127**  
**Unit Name : Monitor Unit(Service)**

**MISCELLANEOUS**

1

2

3

4

**Circuit Symbol and No.****Part No.****Circuit Symbol and No.****Part No.**

L 4002	(A,143,77)	Inductor	CTH1533	R 4036	(A,114,70)	RS1/16SS104J
L 4003	(A,139,66)	Inductor	CTH1526	R 4051	(A,110,38)	RS1/16SS0R0J
L 4151	(A,134,26)	Ferrite Bead	CTF1528	R 4052	(A,111,36)	RS1/16SS0R0J
L 4201	(A,14,58)	Chip Beads	VTL1127	R 4053	(A,130,16)	RS1/16SS104J
L 4202	(A,13,57)	Chip Beads	VTL1127	R 4054	(A,133,15)	RS1/16SS104J
L 4203	(A,12,57)	Chip Beads	VTL1127	R 4064	(A,134,69)	RS1/16SS0R0J
L 4204	(A,13,56)	Chip Beads	VTL1127	R 4130	(A,116,76)	RS1/16SS0R0J
L 4205	(A,12,53)	Chip Beads	VTL1127	R 4131	(A,142,16)	RS1/16SS181J
L 4206	(A,17,47)	Chip Beads	VTL1127	R 4134	(A,141,16)	RS1/16SS222J
L 4207	(A,17,48)	Chip Beads	VTL1127	R 4135	(A,140,10)	RS1/16SS271J
L 4208	(A,18,47)	Chip Beads	VTL1127	R 4138	(A,141,10)	RS1/16SS222J
L 4209	(A,19,46)	Chip Beads	VTL1127	R 4139	(A,145,14)	RS1/16SS181J
L 4210	(A,20,47)	Chip Beads	VTL1127	R 4142	(A,146,14)	RS1/16SS222J
L 4211	(A,20,46)	Chip Beads	VTL1127	R 4143	(A,115,46)	RS1/16SS473J
L 4212	(A,21,47)	Chip Beads	VTL1127	R 4151	(A,136,18)	RS1/16SS472J
L 4213	(A,22,45)	Chip Beads	VTL1127	R 4152	(A,136,20)	RS1/16SS472J
L 4214	(A,22,47)	Chip Beads	VTL1127	R 4153	(A,135,21)	RS1/16SS103J
L 4215	(A,23,46)	Chip Beads	VTL1127	R 4154	(A,132,17)	RS1/16SS620J
L 4216	(A,24,48)	Chip Beads	VTL1127	R 4155	(A,127,20)	RS1/16SS0R0J
L 4217	(A,25,46)	Chip Beads	VTL1127	R 4156	(A,127,19)	RS1/16SS0R0J
L 4218	(A,25,48)	Chip Beads	VTL1127	R 4157	(A,131,24)	RS1/16SS201J
L 4219	(A,27,47)	Chip Beads	VTL1127	R 4158	(A,128,20)	RS1/16SS181J
L 4220	(A,30,47)	Chip Beads	VTL1127	R 4159	(A,128,21)	RS1/16SS621J
L 4221	(A,30,48)	Chip Beads	VTL1127	R 4200	(A,13,69)	RS1/16SS0R0J
L 4222	(A,32,48)	Chip Beads	VTL1127	R 4202	(A,17,45)	RS1/16SS470J
L 4223	(A,32,49)	Chip Beads	VTL1127	R 4226	(A,38,53)	RS1/16SS391J
L 4224	(A,31,50)	Chip Beads	VTL1127	R 4227	(A,36,53)	RS1/16SS391J
L 4225	(A,34,52)	Chip Beads	VTL1127	R 4228	(A,37,55)	RS1/16SS391J
L 4300	(A,53,82)	Choke Coil 22 uH	CTH1426	R 4229	(A,35,55)	RS1/16SS391J
L 4400	(A,17,41)	Inductor	CTF1635	R 4230	(A,36,56)	RS1/16SS391J
L 4401	(A,15,38)	Inductor	DTL1096	R 4231	(A,36,57)	RS1/16SS391J
L 4402	(A,12,36)	Inductor	DTL1096	R 4232	(A,35,58)	RS1/16SS0R0J
L 4403	(A,9,34)	Chip Ferrite Bead	BTX1042	R 4233	(A,34,60)	RS1/16SS391J
L 4404	(A,7,70)	Inductor	LCTAW101J2520	R 4234	(A,36,61)	RS1/16SS391J
TH4001	(A,142,6)	Thermistor	CCX1058	R 4235	(A,34,62)	RS1/16SS391J
CN4001	(A,126,57)	Connector	CKS6233	R 4236	(A,36,62)	RS1/16SS391J
CN4051	(A,92,44)	Connector	CKS6365	R 4237	(A,34,63)	RS1/16SS391J
CN4052	(A,64,44)	Connector	CKS6365	R 4238	(A,36,64)	RS1/16SS391J
CN4053	(A,119,79)	Connector	DKN1220	R 4239	(A,34,65)	RS1/16SS391J
CN4131	(A,129,9)	Connector	CKS6286	R 4240	(A,36,65)	RS1/16SS391J
CN4151	(A,120,19)	Connector	CKS6327	R 4241	(A,34,66)	RS1/16SS391J
CN4400	(A,32,29)	Connector	CKS6386	R 4242	(A,36,67)	RS1/16SS391J
				R 4243	(A,32,68)	RS1/16SS391J
				R 4244	(A,32,69)	RS1/16SS391J

**RESISTORS**

R 4000	(A,117,66)	RS1/16SS474J	R 4245	(A,32,70)	RS1/16SS391J
R 4002	(A,115,65)	RS1/16SS393J	R 4246	(A,26,69)	RS1/16SS391J
R 4003	(A,116,63)	RS1/16SS101J	R 4247	(A,51,57)	RS1/16SS101J
R 4014	(A,113,72)	RS1/16SS104J	R 4248	(A,26,72)	RS1/16SS102J
R 4018	(A,121,74)	RS1/16SS101J	R 4249	(A,24,68)	RS1/16SS473J
R 4019	(A,133,74)	RS1/16SS5602D	R 4251	(A,22,34)	RS1/16SS121J
R 4020	(A,134,67)	RS1/16SS102J	R 4252	(A,23,36)	RS1/16SS121J
R 4021	(A,123,66)	RS1/16SS102J	R 4253	(A,11,55)	RS1/16SS121J
R 4022	(A,122,67)	RS1/16SS3002D	R 4254	(A,32,34)	RS1/16SS121J
R 4023	(A,122,74)	RS1/16SS104J	R 4255	(A,25,41)	RS1/16SS121J
R 4024	(A,122,65)	RS1/16SS0R0J	R 4256	(A,27,41)	RS1/16SS121J
R 4030	(A,80,57)	RS1/16SS0R0J	R 4257	(A,28,41)	RS1/16SS121J
R 4031	(A,119,66)	RS1/16SS1004D	R 4258	(A,28,42)	RS1/16SS121J
R 4032	(A,121,66)	RS1/16SS0R0J	R 4259	(A,29,41)	RS1/16SS121J
R 4033	(A,121,67)	RS1/16SS6802D	R 4260	(A,30,43)	RS1/16SS121J
			R 4261	(A,30,42)	RS1/16SS121J

1

2

3

4

5		6		7		8	
<u>Circuit Symbol and No.</u>		<u>Part No.</u>		<u>Circuit Symbol and No.</u>		<u>Part No.</u>	
R 4262	(A,31,43)	RS1/16SS121J		R 4420	(A,42,56)	RS1/16SS47R0D	
R 4263	(A,32,42)	RS1/16SS121J		R 4421	(A,42,57)	RS1/16SS0R0J	
R 4264	(A,33,43)	RS1/16SS121J		R 4422	(A,41,56)	RS1/16SS1800D	
R 4265	(A,33,41)	RS1/16SS0R0J		R 4423	(A,40,54)	RS1/16SS2R2J	A
R 4266	(A,34,43)	RS1/16SS121J		R 4424	(A,40,51)	RS1/16SS33R0D	
R 4267	(A,35,41)	RS1/16SS121J		R 4425	(A,38,52)	RS1/16SS2R4J	
R 4268	(A,35,43)	RS1/16SS121J		R 4426	(A,8,64)	RS1/16SS473J	
R 4269	(A,36,41)	RS1/16SS121J		R 4427	(A,10,68)	RS1/16SS563J	
R 4270	(A,37,43)	RS1/16SS121J		R 4428	(A,8,61)	RS1/16SS682J	
R 4271	(A,37,41)	RS1/16SS121J		R 4429	(A,10,61)	RS1/16SS221J	
R 4272	(A,38,43)	RS1/16SS121J		R 4430	(A,7,59)	RS1/16SS472J	
R 4273	(A,36,48)	RS1/16SS121J		R 4431	(A,9,69)	RS1/16SS472J	
R 4274	(A,34,59)	RS1/16SS0R0J		R 4432	(A,7,60)	RS1/16SS101J	
R 4275	(A,14,64)	RS1/16SS0R0J		R 4433	(A,9,71)	RS1/16SS0R0J	
R 4276	(A,17,68)	RS1/16SS0R0J		R 4434	(A,24,35)	RS1/16SS473J	B
R 4277	(A,12,62)	RS1/16SS0R0J		<b><u>CAPACITORS</u></b>			
R 4278	(A,15,49)	RS1/16SS474J		C 4001	(A,140,6)	CKSSYB104K10	
R 4280	(A,25,36)	RS1/16SS121J		C 4003	(A,138,82) 10 uF	CCG1192	
R 4300	(A,47,72)	RS1/16SS103J		C 4004	(A,136,76)	CKSYB105K35	
R 4301	(A,47,74)	RS1/16SS0R0J		C 4005	(A,137,72)	CKSYB105K35	
R 4303	(A,58,79)	RS1/16SS9101D		C 4006	(A,145,69) 10 uF	CCG1236	
R 4304	(A,60,79)	RS1/16SS1003D		C 4007	(A,133,76)	CKSRYB105K10	
R 4305	(A,59,73)	RS1/16SS3302D		C 4008	(A,145,63) 10 uF	CCG1192	
R 4306	(A,60,72)	RS1/16SS4701D		C 4009	(A,145,65) 10 uF	CCG1236	C
R 4307	(A,61,72)	RS1/16SS6800D		C 4010	(A,145,67) 10 uF	CCG1236	
R 4308	(A,65,71)	RS1/16SS0R0J		C 4011	(A,123,75)	CCSSCH101J50	
R 4309	(A,56,82)	RS1/16SS103J		C 4012	(A,124,64)	CKSRYB224K16	
R 4311	(A,60,77)	RS1/16SS9102D		C 4014	(A,127,64) 10 uF	CCG1236	
R 4312	(A,59,76)	RS1/16SS1802D		C 4023	(A,115,66)	CKSSYB104K10	
R 4313	(A,56,70)	RS1/16SS203J		C 4051	(A,95,64)	CKSQYB475K6R3	
R 4314	(A,57,69)	RS1/16SS104J		C 4052	(A,91,64)	CKSRYB105K10	
R 4322	(A,57,73)	RS1/16SS472J		C 4053	(A,89,66) 10 uF	CCG1192	
R 4323	(A,48,74)	RS1/16SS1203D		C 4054	(A,95,67)	CKSSYB102K50	
R 4324	(A,51,74)	RS1/16SS3001D		C 4056	(A,81,61)	CKSRYB474K10	D
R 4325	(A,48,73)	RS1/16SS472J		C 4151	(A,138,20)	CKSSYB104K10	
R 4326	(A,51,72)	RS1/16SS1502D		C 4152	(A,139,21) 10 uF	CCG1192	
R 4327	(A,67,66)	RS1/16SS0R0J		C 4153	(A,131,25)	CKSSYB104K10	
R 4328	(A,68,66)	RS1/16SS0R0J		C 4155	(A,130,27) 10 uF	CCG1192	
R 4329	(A,66,66)	RS1/16SS0R0J		C 4157	(A,130,24)	CKSSYB103K16	
R 4330	(A,16,72)	RS1/16SS0R0J		C 4158	(A,129,22)	CKSSYB103K16	
R 4331	(A,50,80)	RS1/16SS0R0J		C 4159	(A,129,18)	CKSSYB103K16	
R 4400	(A,17,38)	RS1/16SS473J		C 4160	(A,133,17)	CKSSYB103K16	
R 4401	(A,14,36)	RS1/16SS473J		C 4200	(A,20,49)	CKSSYB104K10	
R 4403	(A,25,35)	RS1/16SS473J		C 4201	(A,27,49)	CKSSYB104K10	
R 4404	(A,45,41)	RS1/16SS4R7J		C 4202	(A,32,57)	CKSSYB104K10	E
R 4405	(A,45,42)	RS1/16SS56R0D		C 4203	(A,32,59)	CKSSYB104K10	
R 4406	(A,44,43)	RS1/16SS1800D		C 4204	(A,27,68)	CKSSYB104K10	
R 4407	(A,43,44)	RS1/16SS2R2J		C 4205	(A,20,68)	CKSSYB104K10	
R 4408	(A,44,45)	RS1/16SS47R0D		C 4206	(A,14,59)	CKSSYB104K10	
R 4409	(A,43,46)	RS1/16SS0R0J		C 4207	(A,14,61)	CKSSYB104K10	
R 4410	(A,44,47)	RS1/16SS39R0D		C 4208	(A,13,67) 10 uF	CCG1192	
R 4411	(A,43,48)	RS1/16SS4R7J		C 4209	(A,17,44)	CCSSCJ3R0C50	
R 4412	(A,44,49)	RS1/16SS1000D		C 4211	(A,15,47)	CKSSYB104K10	
R 4413	(A,43,50)	RS1/16SS8R2J		C 4302	(A,47,81)	CKSYB475K16	
R 4414	(A,44,51)	RS1/16SS1300D		C 4304	(A,60,80)	CKSSYB561K50	F
R 4415	(A,43,52)	RS1/16SS0R0J		C 4305	(A,65,74)	CKSSYB683K10	
R 4416	(A,44,53)	RS1/16SS1000D		C 4306	(A,64,73)	CCSQCH101J50	
R 4417	(A,43,54)	RS1/16SS8R2J		C 4307	(A,59,70)	CKSRYB105K10	
R 4418	(A,44,55)	RS1/16SS39R0D					
R 4419	(A,44,57)	RS1/16SS4R7J					

1

**Circuit Symbol and No.**

2

**Part No.**

3

**Circuit Symbol and No.**

4

**Part No.**

C 4308 (A,51,70) CKSRYB123K50

R 5004 (A,25,5)

RS1/16SS182J

C 4309 (A,52,70) CKSSYB104K10

R 5005 (A,116,4)

RS1/16SS222J

C 4310 (A,65,76) CKSRYB104K50

R 5006 (A,108,4)

RS1/16SS472J

C 4311 (A,63,78) CKSRYB105K10

R 5007 (A,96,5)

RS1/16SS123J

C 4312 (A,71,82) CKSQYB105K25

R 5021 (A,155,4)

RS1/16SS470J

C 4313 (A,67,85) CKSRYB104K50

**CAPACITORS**

C 4314 (A,66,82) CKSQYB105K25

C 5022 (A,155,5)

CKSSYB104K16

C 4315 (A,65,85) CKSRYB104K50

C 4316 (A,50,76) CKSSYB105K6R3

C 4317 (A,50,77) CKSSYB102K50

C 4318 (A,42,86) CKSQYB475K6R3

C 4321 (A,55,72) CKSSYB102K50

C 4322 (A,51,73) CKSSYB102K50

C 4323 (A,60,83) CKSYB475K16

C 4408 (A,46,51) CKSSYB102K50

C 4409 (A,46,52) CKSSYB104K16

C 4410 (A,46,53) CKSSYB102K50

C 4411 (A,46,54) CKSSYB104K16

C 4420 (A,30,34) CKSSYB102K50

C 4422 (A,28,36) CKSSYB104K16

C 4424 (A,23,39) 10 uF CCG1236

C 4425 (A,15,40) CKSSYB102K50

C 4428 (A,27,35) CKSSYB102K50

C 4429 (A,26,36) CKSSYB104K10

C 4430 (A,18,38) 10 uF CCG1234

C 4433 (A,19,34) CKSSYB104K16

C 4434 (A,12,32) 4.7 uF CCG1201

C 4436 (A,10,39) CKSQYB225K16

C 4438 (A,16,35) CKSRYB104K50

C 4439 (A,8,32) CKSQYB334K50

C 4441 (A,15,33) CKSSYB104K16

C 4442 (A,9,66) 10 uF CCG1236

C 4443 (A,8,62) CKSSYB104K16

**G****Unit Number : CXX4125****Unit Name : Case Unit(Service)****MISCELLANEOUS**

CN3001 (A,23,13) Connector CKS6366

CN3002 (A,51,13) Connector CKS6366

CN3003 (A,59,37) Connector CKS6300

**H****Unit Number : CXX4128****Unit Name : SW Unit(Service)****MISCELLANEOUS**

S 8201 (A,17,6) Lever Switch(OFF SENS) CSN1085

S 8202 (A,20,24) Lever Switch(LOCK) CSN1086

CN8201 (A,6,24) Connector DKN1220

**I****Unit Number : EXX2001****Unit Name : PCB Unit(Service)****MISCELLANEOUS**

IC 101 Driver IC BA6288FS

VR101 Volume 10 kohm CCW1029

S 101 Switch CSN1067

S 102 Switch CSN1068

CN101 Connector CKS4997

**RESISTORS**

R 101 RS1/16S221J

R 102 RS1/16S221J

R 103 RS1/16S0R0J

**CAPACITORS**

C 101 CEVW220M16

C 102 CKSRYB104K16

**Miscellaneous Parts List**

M 1 Motor Unit(CRG(L/E)) CXC4026

\*M 2 Spindle Motor(SPINDLE) EXM2002

Motor Unit(DRIVE) EXA4003

Fan Motor CXM1394

**F****Unit Number : CXX4123****Unit Name : Key Unit(Service)****MISCELLANEOUS**

D 5002 (A,125,5) LED SMLV56RGB1U1(Q)

D 5003 (A,45,5) LED SMLV56RGB1U1(Q)

S 5001 (A,8,5) Switch VSG1020

S 5002 (A,148,5) Switch VSG1020

S 5003 (A,65,5) Switch VSG1020

S 5004 (A,57,5) Switch VSG1020

S 5005 (A,33,5) Switch VSG1020

S 5006 (A,22,5) Switch VSG1020

S 5007 (A,136,5) Switch VSG1020

S 5008 (A,113,5) Switch VSG1020

S 5009 (A,104,5) Switch VSG1020

S 5010 (A,85,6) Switch VSG1020

U 5021 (A,161,6) Remote Receiver Unit RS-470

CN5001 (B,33,6) Connector CKS6291

**RESISTORS**

R 5001 (A,71,4) RS1/16SS182J

R 5002 (A,61,4) RS1/16SS222J

R 5003 (A,53,4) RS1/16SS472J

1

2

3

4