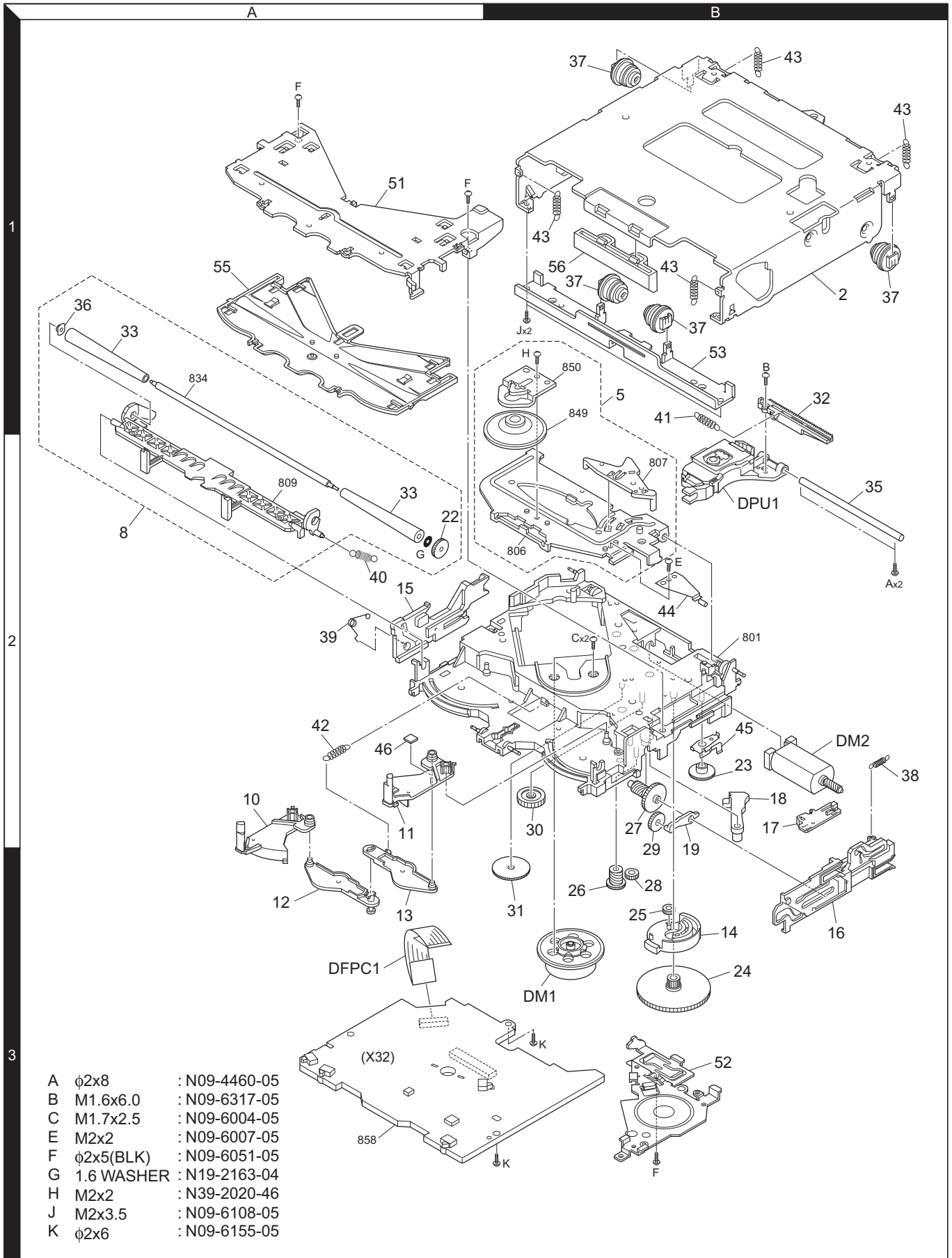
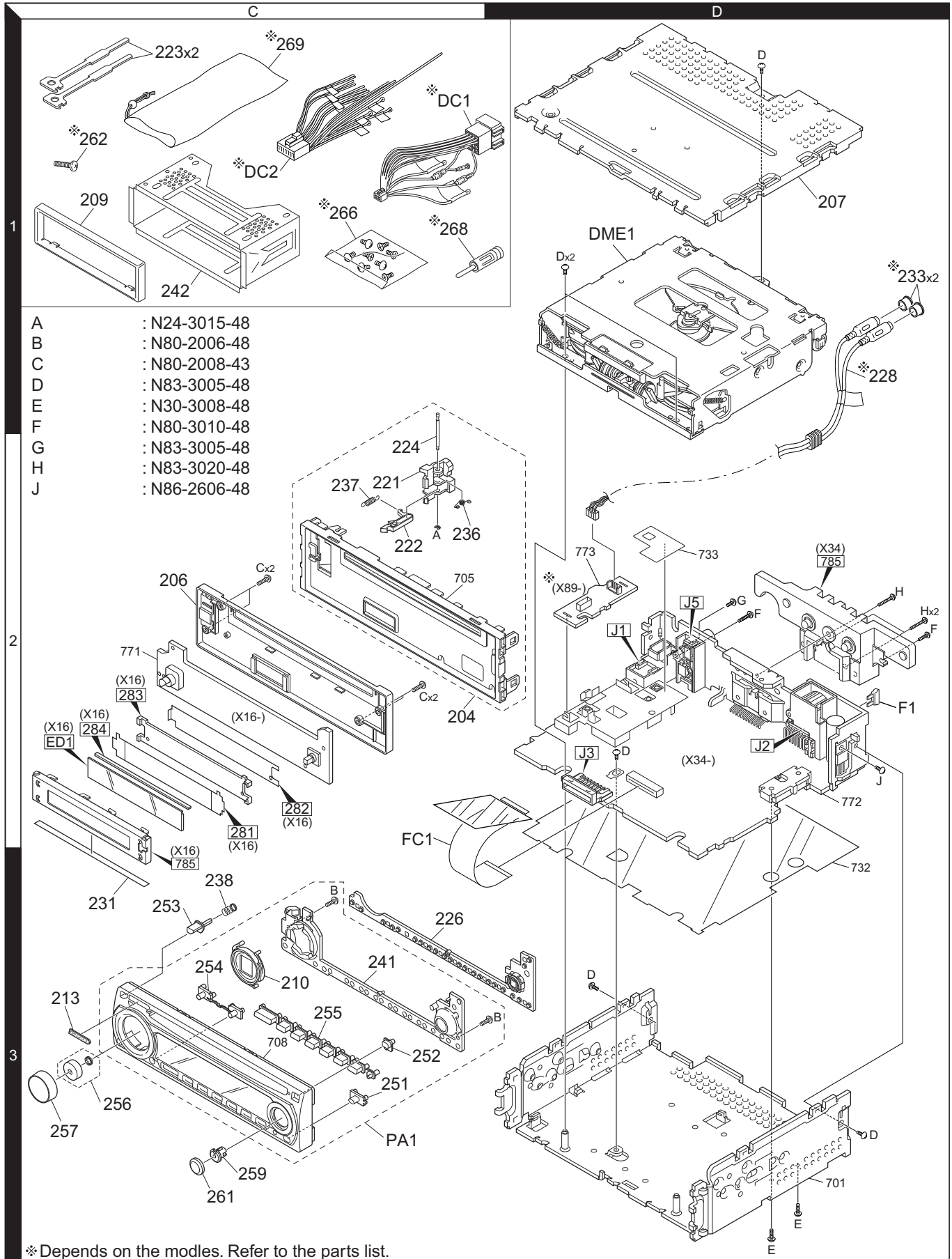


EXPLODED VIEW (MECHANISM)



Parts with the exploded numbers larger than 700 are not supplied.

EXPLODED VIEW (UNIT)



PARTS LIST

* New parts

Parts without **Parts No.** are not supplied.

Les articles non mentionnés dans le **Parts No.** ne sont pas fournis.

Teile ohne **Parts No.** werden nicht geliefert.

Ref. No.	A d d	N e w	Parts No.	Description	Desti- nation
KDC-1032/132/132CR/133/233/234SGY					
204	2C		A22-2863-13	SUB PANEL ASSY	
206	2C		A46-1815-01	REAR COVER	
207	1D		A52-0804-12	TOP PLATE	
PA1	3C	*	A64-3770-02	PANEL ASSY	K
PA1	3C	*	A64-3771-02	PANEL ASSY	K1
PA1	3C	*	A64-3773-02	PANEL ASSY	E5
PA1	3C	*	A64-3774-02	PANEL ASSY	M1
PA1	3C	*	A64-3775-02	PANEL ASSY	M2
PA1	3C	*	A64-3854-02	PANEL ASSY	K2
-		*	B46-0681-04	ID CARD	
-			B46-0682-00	WARRANTY CARD	KK1K2
-			B46-0682-00	WARRANTY CARD	M1M2
-		*	B64-3239-00	INST. MANUAL (ENG,SPA)	KK1K2
-		*	B64-3245-00	INST. MANUAL (ENG,RUS)	E5
-		*	B64-3245-00	INST. MANUAL (POL,CZE,HUN)	E5
-		*	B64-3246-00	INST. MANUAL (CRO,SLO)	E5
-		*	B64-3246-00	INST. MANUAL (SWE,FIN)	E5
-		*	B64-3247-00	INST. MANUAL (ENG,T-CHI)	M1M2
-		*	B64-3248-00	INST. MANUAL (ARABIC)	M1M2
-		*	B64-3258-00	INST. MANUAL (FRENCH)	KK1
209	1C		B07-3122-01	ESCUTCHEON	KK1K2E5
209	1C		B07-3122-01	ESCUTCHEON	M1
209	1C		B07-3123-01	ESCUTCHEON	KM2
210	3C		B19-2304-03	LIGHTING BOARD	
213	3C		B43-1518-04	BADGE	
221	2C		D10-4446-03	LEVER	
222	2C		D10-4447-03	LEVER	
223	1C		D10-4589-04	LEVER	
224	2C		D21-2329-04	SHAFT	
226	3C		E29-2027-02	CONDUCTIVE RUBBER	
228	1D	*	E30-6499-05	CORD WITH PINPLUG	K1
△ DC1	1C		E30-6427-05	DC CORD	E5
△ DC2	1C		E30-6415-15	DC CORD	KK1K2
△ DC2	1C		E30-6415-15	DC CORD	M1M2
FC1	2C	*	E39-0789-05	FLAT CABLE	
231	3C	*	F19-1468-04	BLIND PLATE	
233	1D		F29-0626-04	INSULATING COVER	K1
△ F1	2D		F52-0023-05	FUSE (MINI BLADE TYPE) (10A)	
236	2C		G01-2987-04	TORSION COIL SPRING	
237	2C		G01-3096-04	EXTENSION SPRING	
238	3C		G01-3244-04	COMPRESSION SPRING	
-			H10-4919-12	POLYSTYRENE FOAMED FIXTURE	
-			H25-0329-04	PROTECTION BAG (280X450X0.03)	
-			H25-0337-04	PROTECTION BAG (180X300X0.03)	
-		*	H25-1236-04	PROTECTION BAG (0.03X180X400)	E5
-		*	H25-1236-04	PROTECTION BAG (0.03X180X400)	KK1K2
-		*	H25-1236-04	PROTECTION BAG (0.03X180X400)	M1M2
-		*	H54-3570-03	ITEM CARTON CASE (KDC-132)	K
-		*	H54-3571-03	ITEM CARTON CASE (KDC-1032)	K1
-		*	H54-3576-03	ITEM CARTON CASE (KDC-234SGY)	E5
-		*	H54-3577-03	ITEM CARTON CASE (KDC-133)	M1
-		*	H54-3578-03	ITEM CARTON CASE (KDC-233)	M2

Ref. No.	A d d	N e w	Parts No.	Description	Desti- nation
-		*	H54-3583-03	ITEM CARTON CASE (KDC-132CR)	K2
241	3C		J19-7046-01	HOLDER	
242	1C		J21-9716-03	MOUNTING HARDWARE ASSY	
251	3C		K24-4279-04	PUSH KNOB (CLK)	
252	3C		K24-4280-04	PUSH KNOB (EJECT)	
253	3C		K24-4281-04	PUSH KNOB (RELEASE)	
254	3C		K25-1689-03	PUSH KNOB (ATT/Q)	
255	3C		K25-1690-02	PUSH KNOB (SRC/PRESET/RESET)	
256	3C		K29-7132-03	KNOB ASSY (VOL)	
257	3C		K29-7135-03	KEY TOP (VOL)	K2
257	3C		K29-7136-03	KEY TOP (VOL)	KK1E5
257	3C		K29-7136-03	KEY TOP (VOL)	M1M2
259	3C		K29-7134-03	KNOB BASE (FM/AM)	
261	3C		K29-7139-03	KEY TOP (FM/AM)	K2
261	3C		K29-7140-03	KEY TOP (FM/AM)	KK1E5
261	3C		K29-7140-03	KEY TOP (FM/AM)	M1M2
262	1C		N84-4016-48	PAN HEAD TAPTITE SCREW	KK1K2
262	1C		N84-4016-48	PAN HEAD TAPTITE SCREW	M1M2
266	1C		N99-1757-05	SCREW SET	KK1K2
266	1C		N99-1757-05	SCREW SET	M1M2
A	2C	*	N24-3015-48	E TYPE RETAINING RING	
B	3C		N80-2006-48	PAN HEAD TAPTITE SCREW	
C	2C		N80-2008-43	PAN HEAD TAPTITE SCREW	
D	1D		N83-3005-48	PAN HEAD TAPTITE SCREW	
E	3D		N30-3008-48	PAN HEAD MACHINE SCREW	
268	1C		T90-0523-05	ANTENNA ADAPTOR	E5
269	1C	*	W01-1661-05	CARRYING CASE	K1K2
DME1	1D	*	X92-5450-00	MECHANISM ASSY	
SWITCH UNIT (X16-356x-xx)					
281	2C	*	B11-1489-04	OPTICAL DIFFUSER	
282	2C	*	B11-1495-04	REFLECTION SHEET	
283	2C	*	B19-2366-02	LIGHTING BOARD	
D2			B30-1698-05	LED	
D3			B30-1567-05	LED (1608, RED)	
D4			B30-1533-05	LED (1608, PG)	K2E5M1
D4			B30-1533-05	LED (1608, PG)	M2
D4			B30-1567-05	LED (1608, RED)	KK1
D5-20			B30-1533-05	LED (1608, PG)	K2E5M1
D5-20			B30-1533-05	LED (1608, PG)	M2
D5-20			B30-1567-05	LED (1608, RED)	KK1
ED1	2C	*	B38-1171-05	LCD	
C1			CK73GB1H102K	CHIP C 1000PF	K
C2			CK73GB1H103K	CHIP C 0.010UF	K
C3,4			CK73GB1H473K	CHIP C 0.047UF	K
C5			CK73FB1A225K	CHIP C 2.2UF	K
284	2C	*	E29-2068-04	CONDUCTIVE RUBBER	
J1		*	E59-0851-05	RECTANGULAR PLUG	
R1			RK73GB2A563J	CHIP R 56K	J 1/10W
R2			RK73GB2A4R7J	CHIP R 4.7	J 1/10W
R3			RK73GB2A472J	CHIP R 4.7K	J 1/10W

K : KDC-132 **K1** : KDC-1032 **K2** : KDC-132CR **M1** : KDC-133 **M2** : KDC-233 **E5** : KDC-234SGY
(E : Europe **K** : North America **M** : Other Areas **W** : Without Europe)

△ Indicates safety critical components.

PARTS LIST

SWITCH UNIT (X16-356x-xx)

Ref. No.	A d d	N e w	Parts No.	Description	Desti- nation
R5-9			RK73GB2A471J	CHIP R 470 J 1/10W	
R10			RK73GB2A102J	CHIP R 1.0K J 1/10W	
R11			RK73GB2A102J	CHIP R 1.0K J 1/10W	K2
R12			RK73GB2A101J	CHIP R 100 J 1/10W	K2
R21			RK73EB2E431J	CHIP R 430 J 1/4W	
R24-29			RK73FB2B431J	CHIP R 430 J 1/8W	K2E5M1
R24-29			RK73FB2B431J	CHIP R 430 J 1/8W	M2
R24-29			RK73FB2B471J	CHIP R 470 J 1/8W	KK1
W1			R92-1252-05	CHIP R 0 OHM J 1/16W	
S1			S70-0106-05	TACT SWITCH	
S2			T99-0457-15	ROTARY ENCODER	
D31-36			UDZS5.6B	ZENER DIODE	
D37			DA204U	DIODE	K2
D38			DA204U	DIODE	
IC1			LC75853NE-E	MOS-IC	
IC2			PNA4S22M	ANALOGUE IC	K2
Q1			DTA114EE	DIGITAL TRANSISTOR	

CD PLAYER UNIT (X32-5840-00)

C1			CK73EB1A106K	CHIP C 10UF K	
C2			CK73FB1A225K	CHIP C 2.2UF K	
C3			CK73GB1A105K	CHIP C 1.0UF K	
C5			CC73GCH1H020C	CHIP C 2.0PF C	
C6			CC73GCH1H390J	CHIP C 39PF J	
C7			CK73GB1H104K	CHIP C 0.10UF K	
C8			CK73GB1A105K	CHIP C 1.0UF K	
C9			CK73GB1H472K	CHIP C 4700PF K	
C10			CK73GB1H333K	CHIP C 0.033UF K	
C11			CK73GB1H682K	CHIP C 6800PF K	
C12			CK73GB1H332K	CHIP C 3300PF K	
C13			CC73GCH1H271J	CHIP C 270PF J	
C14			CK73GB1H472K	CHIP C 4700PF K	
C15			CK73GB1H222K	CHIP C 2200PF K	
C16			CC73GCH1H331J	CHIP C 330PF J	
C17,18			CK73GB1H104K	CHIP C 0.10UF K	
C31-34			CK73GB1H104K	CHIP C 0.10UF K	
C36			CK73FB1A225K	CHIP C 2.2UF K	
C37-39			CK73GB1H103K	CHIP C 0.010UF K	
C40			CK73GB1H153K	CHIP C 0.015UF K	
C41			CK73GB1H102K	CHIP C 1000PF K	
C42			CK73GB1H473K	CHIP C 0.047UF K	
C43			CK73GB1H222K	CHIP C 2200PF K	
C44			CK73GB1H102K	CHIP C 1000PF K	
C45-47			CK73GB1H104K	CHIP C 0.10UF K	
C48			CK73GB1H682K	CHIP C 6800PF K	
C49			CK73GB1H152K	CHIP C 1500PF K	
C50			CK73GB1H472K	CHIP C 4700PF K	
C51			CK73GB1H681K	CHIP C 680PF K	
C52			CK73GB1H104K	CHIP C 0.10UF K	
C61			CK73FB1A225K	CHIP C 2.2UF K	
C62			CK73GB1H104K	CHIP C 0.10UF K	
C71,72			CK73GB1H471K	CHIP C 470PF K	
C73,74			CC73GCH1H680J	CHIP C 68PF J	
C75,76			CK73GB1H222K	CHIP C 2200PF K	

Ref. No.	A d d	N e w	Parts No.	Description	Desti- nation
C77,78			CK73GB1H104K	CHIP C 0.10UF K	
C100-102			CK73GB1H102K	CHIP C 1000PF K	
CN1			E41-2297-05	FLAT CABLE CONNECTOR	
CN2			E41-2082-15	FLAT CABLE CONNECTOR	
X1			L78-0851-05	RESONATOR (16.93MHZ)	
CP1			RK74GA1J101J	CHIP-COM 100 J 1/16W	
CP2			RK74GB1J101J	CHIP-COM 100 J 1/16W	
CP3			RK74GB1J182J	CHIP-COM 1.8K J 1/16W	
CP4			RK74GB1J472J	CHIP-COM 4.7K J 1/16W	
CP5			RK74GB1J104J	CHIP-COM 100K J 1/16W	
R1			RK73GB2A910J	CHIP R 91 J 1/10W	
R2,3			RK73GB2A562J	CHIP R 5.6K J 1/10W	
R4			RK73FB2B100J	CHIP R 10 J 1/8W	
R5,6			RK73GB2A332J	CHIP R 3.3K J 1/10W	
R7			RK73GB2A362J	CHIP R 3.6K J 1/10W	
R8			RK73GB2A273J	CHIP R 27K J 1/10W	
R9			RK73GB2A392J	CHIP R 3.9K J 1/10W	
R10			RK73GB2A104J	CHIP R 100K J 1/10W	
R11			RK73GB2A333J	CHIP R 33K J 1/10W	
R12			RK73GB2A244J	CHIP R 240K J 1/10W	
R13			RK73GB2A364J	CHIP R 360K J 1/10W	
R14			RK73GB2A104J	CHIP R 100K J 1/10W	
R15			RK73GB2A472J	CHIP R 4.7K J 1/10W	
R31			RK73GB2A273J	CHIP R 27K J 1/10W	
R32			RK73GB2A103J	CHIP R 10K J 1/10W	
R33			RK73GB2A183J	CHIP R 18K J 1/10W	
R34			RK73GB2A103J	CHIP R 10K J 1/10W	
R35			RK73GB2A393J	CHIP R 39K J 1/10W	
R36			RK73GB2A103J	CHIP R 10K J 1/10W	
R37			RK73GB2A622J	CHIP R 6.2K J 1/10W	
R38			RK73GB2A224J	CHIP R 220K J 1/10W	
R39			RK73GB2A104J	CHIP R 100K J 1/10W	
R40			RK73GB2A821J	CHIP R 820 J 1/10W	
R41			RK73GB2A473J	CHIP R 47K J 1/10W	
R42			RK73GB2A472J	CHIP R 4.7K J 1/10W	
R43			RK73GB2A102J	CHIP R 1.0K J 1/10W	
R44,45			RK73GB2A103J	CHIP R 10K J 1/10W	
R46			RK73GB2A273J	CHIP R 27K J 1/10W	
R47			RK73GB2A222J	CHIP R 2.2K J 1/10W	
R48			RK73GB2A103J	CHIP R 10K J 1/10W	
R49			RK73GB2A473J	CHIP R 47K J 1/10W	
R50			RK73GB2A392J	CHIP R 3.9K J 1/10W	
R51			RK73GB2A103J	CHIP R 10K J 1/10W	
R52,53			RK73GB2A472J	CHIP R 4.7K J 1/10W	
R71			RK73GB2A133J	CHIP R 13K J 1/10W	
R72			RK73FB2B201J	CHIP R 200 J 1/8W	
R81,82			RK73FB2B183J	CHIP R 18K J 1/8W	
R83,84			RK73FB2B203J	CHIP R 20K J 1/8W	
R85,86			RK73FB2B123J	CHIP R 12K J 1/8W	
R87,88			RK73FB2B331J	CHIP R 330 J 1/8W	
R89,90			RK73GB2A392J	CHIP R 3.9K J 1/10W	
R91,92			RK73GB2A562J	CHIP R 5.6K J 1/10W	
R100			RK73GB2A100J	CHIP R 10 J 1/10W	

K : KDC-132 K1 : KDC-1032 K2 : KDC-132CR M1 : KDC-133 M2 : KDC-233 E5 : KDC-234SGY
(E : Europe K : North America M : Other Areas W : Without Europe)

△ Indicates safety critical components.

PARTS LIST

CD PLAYER UNIT (X32-5840-00)

Ref. No.	Add	New	Parts No.	Description	Destination	Ref. No.	Add	New	Parts No.	Description	Destination
S1,2			S68-0863-05	PUSH SWITCH		C510			CC73GCH1H101J	CHIP C 100PF	J
S3			S68-0862-05	PUSH SWITCH		C511			CK73GB1H103K	CHIP C 0.010UF	K
D1			DAN202U	DIODE		C512			CD04AT1V4R7M	ELECTRO 4.7UF	35WV
D2			MAZS0510L	ZENER DIODE		C513,514			CK73GB1H103K	CHIP C 0.010UF	K
D3			DA204U	DIODE		C515			CK73FB1C105K	CHIP C 1.0UF	K
IC1			AN22002A-V	ANALOGUE IC		C516			CC73GCH1H100D	CHIP C 10PF	D
IC2			MN6627771KS	MOS-IC		C521			CK73GB1H104K	CHIP C 0.10UF	K
IC3			BA5824FP	ANALOGUE IC		C522			CC73GCH1H330J	CHIP C 33PF	J
IC4			NJM4580M1-ZB	ANALOGUE IC		C523			CC73GCH1H270J	CHIP C 27PF	J
Q1			2SB0970	TRANSISTOR		C524			CC73GCH1H101J	CHIP C 100PF	J
Q2			2SA1362(Y)-F	TRANSISTOR		C525			CK73GB1H103K	CHIP C 0.010UF	K
Q3			DTC124EUA	DIGITAL TRANSISTOR		C526			CC73GCH1H050C	CHIP C 5.0PF	C
Q4			DTA143XUA	DIGITAL TRANSISTOR		C527			CK73GB1H102K	CHIP C 1000PF	K
Q5			2SC4081	TRANSISTOR		C528			CC73GCH1H060D	CHIP C 6.0PF	D
Q6			2SA1576A	TRANSISTOR		C530			CC73GCH1H040C	CHIP C 4.0PF	C
ELECTRIC UNIT (X34-419x-xx)											
C1			C90-5683-05	ELECTRO 3300UF 16WV		C531			CK73FB1C105K	CHIP C 1.0UF	K
C21			CK73GB1H103K	CHIP C 0.010UF K	E5M1M2	C533,534			CK73GB1H103K	CHIP C 0.010UF	K
C30			CK73GB1H103K	CHIP C 0.010UF K		C535			CC73GCH1H020C	CHIP C 2.0PF	C
C40			CK73GB1H103K	CHIP C 0.010UF K		C536			CC73GCH1H040C	CHIP C 4.0PF	C
C50			CD04AS1V100M	ELECTRO 10UF 35WV		C537,538			CC73GCH1H080D	CHIP C 8.0PF	D
C50,51			CD04AS1V100M	ELECTRO 10UF 35WV	E5M1M2	C541			CC73GCH1H040C	CHIP C 4.0PF	C
C52-55			CD04AS1V100M	ELECTRO 10UF 35WV		C542			CC73GCH1H220J	CHIP C 22PF	J
C56			CD04AT1H100M	ELECTRO 10UF 50WV		C543			CC73GCH1H680J	CHIP C 68PF	J
C57	*		CD04BD1C221M	ELECTRO 220UF 16WV		C544			CC73GCH1H150J	CHIP C 15PF	J
C58			C90-5686-05	ELECTRO 100UF 16WV		C545			CK73GB1H682K	CHIP C 6800PF	K
C63			CD04AS1C220M	ELECTRO 22UF 16WV		C546			CK73GB1H103K	CHIP C 0.010UF	K
C101			CD04AS0J101M	ELECTRO 100UF 6.3WV		C547			CD04AT1C100M	ELECTRO 10UF	16WV
C102			CK73GB1H103K	CHIP C 0.010UF K		C548			CK73GB1H223K	CHIP C 0.022UF	K
C103			CK73GB1H104K	CHIP C 0.10UF K		C549			CK73GB1H222K	CHIP C 2200PF	K
C104,105			CC73GCH1H150J	CHIP C 15PF J		C550			CK73GB1H333K	CHIP C 0.033UF	K
C106			CK73GB1H102K	CHIP C 1000PF K	E5	C551,552			CK73GB1H103K	CHIP C 0.010UF	K
C106			CK73GB1H152K	CHIP C 1500PF K	KK1K2	C553			CK73GB1H104K	CHIP C 0.10UF	K
C106			CK73GB1H152K	CHIP C 1500PF K	M1M2	C553			CK73GB1H104K	CHIP C 0.10UF	K
C142			CK73GB1H104K	CHIP C 0.10UF K		C554			CK73GB1H473K	CHIP C 0.047UF	K
C145,146			CK73GB1H104K	CHIP C 0.10UF K		C554			CK73GB1H104K	CHIP C 0.10UF	K
C204,205			CD04AS1H2R2M	ELECTRO 2.2UF 50WV		C555,556			CK73GB1H102K	CHIP C 1000PF	K
C223,224			CD04AS1V100M	ELECTRO 10UF 35WV	KK1K2	C560			CC73GCH1H101J	CHIP C 100PF	J
C223,224			CD04AS1V100M	ELECTRO 10UF 35WV	M1M2	C561			CD04AT1H010M	ELECTRO 1UF	50WV
C251-254			C90-5684-05	NP-ELECT 0.22UF 50WV		C562			CD04AT1C100M	ELECTRO 10UF	16WV
C255			CD04AS1H010M	ELECTRO 1UF 50WV		C563			CD04AT1HR47M	ELECTRO 0.47UF	50WV
C256			CD04AS1C101M	ELECTRO 100UF 16WV	KK2E5	C564			CK73GB1A474K	CHIP C 0.47UF	K
C256			CD04AS1C101M	ELECTRO 100UF 16WV	M1	C565			CD04AS1C470M	ELECTRO 47UF	16WV
C256			CD04AS1C330M	ELECTRO 33UF 16WV	K1M2	C568			CC73GCH1H821J	CHIP C 820PF	J
C257			CD04AS1H010M	ELECTRO 1UF 50WV		C580			CK73GB1H103K	CHIP C 0.010UF	K
C258			C90-5663-05	ELECTRO 1UF 50WV		C581			CC73GCH1H020C	CHIP C 2.0PF	C
C502			CK73GB1H152K	CHIP C 1500PF K		C582,583			CK73GB1H104K	CHIP C 0.10UF	K
C503			CK73GB1H104K	CHIP C 0.10UF K		C584			CD04AT1V4R7M	ELECTRO 4.7UF	35WV
C504			CK73GB1H103K	CHIP C 0.010UF K		C585			CK73GB1H103K	CHIP C 0.010UF	K
C505			CD04AT1V4R7M	ELECTRO 4.7UF 35WV		C586			CK73GB1H104K	CHIP C 0.10UF	K
C506			CK73GB1H104K	CHIP C 0.10UF K		C587			CK73GB1H103K	CHIP C 0.010UF	K
C507			CD04AT1A330M	ELECTRO 33UF 10WV		C588			CK73GB1A474K	CHIP C 0.47UF	K
C508			CD04AT1C220M	ELECTRO 22UF 16WV		C589			CK73GB1H104K	CHIP C 0.10UF	K
C509			CC73GCH1H680J	CHIP C 68PF J		C591			CD04AT1A330M	ELECTRO 33UF	10WV
						C593			CK73FB1C105K	CHIP C 1.0UF	K
						C600			CD04AT1A101M	ELECTRO 100UF	10WV

K : KDC-132 K1 : KDC-1032 K2 : KDC-132CR M1 : KDC-133 M2 : KDC-233 E5 : KDC-234SGY
(E : Europe K : North America M : Other Areas W : Without Europe)

△ Indicates safety critical components.

PARTS LIST

ELECTRIC UNIT (X34-419x-xx)

Ref. No.	Add	New	Parts No.	Description	Destination	Ref. No.	Add	New	Parts No.	Description	Destination
CN1		*	E41-2611-05	FLAT CABLE CONNECTOR		R73			RK73GB2A104J	CHIP R 100K J 1/10W	
J1	2D		E04-0326-05	RF COAXIAL CABLE RECEPTACLE		R74,75			RK73GB2A103J	CHIP R 10K J 1/10W	
J2	2D		E58-0991-05	RECTANGULAR RECEPTACLE		R76,77			RK73GB2A222J	CHIP R 2.2K J 1/10W	
J3	2D		E58-0992-05	RECTANGULAR RECEPTACLE		R78,79			RK73GB2A102J	CHIP R 1.0K J 1/10W	
J5	2D		E63-0852-05	PIN JACK	KK1K2	R103,104			RK73GB2A102J	CHIP R 1.0K J 1/10W	
J5	2D		E63-0852-05	PIN JACK	M1M2	R105			RK73GB2A471J	CHIP R 470 J 1/10W	
WH1		*	E39-0802-05	WIRING HARNESS	K1	R106			RK73GB2A104J	CHIP R 100K J 1/10W	
CF51			L72-0805-05	CERAMIC FILTER		R107,108			RK73GB2A222J	CHIP R 2.2K J 1/10W	
CF52,53			L72-0805-05	CERAMIC FILTER	KK1K2	R110			RK73GB2A472J	CHIP R 4.7K J 1/10W	
CF52,53			L72-0805-05	CERAMIC FILTER	M1M2	R113,114			RK73GB2A473J	CHIP R 47K J 1/10W	
CF52,53		*	L72-0806-05	CERAMIC FILTER	E5	R115			RK73GB2A102J	CHIP R 1.0K J 1/10W	
CF54			L72-0804-05	CERAMIC FILTER		R116			RK73GB2A103J	CHIP R 10K J 1/10W	
L1			L33-1988-05	CHOKE COIL ASSY		R117			RK73GB2A102J	CHIP R 1.0K J 1/10W	
L2		*	L33-2298-05	CHOKE COIL		R118			RK73GB2A103J	CHIP R 10K J 1/10W	
L4			L33-2260-05	CHOKE COIL		R119			RK73GB2A473J	CHIP R 47K J 1/10W	
L101			L40-4795-91	SMALL FIXED INDUCTOR (4.7UH)		R121			RK73GB2A222J	CHIP R 2.2K J 1/10W	
L501			L40-6891-58	SMALL FIXED INDUCTOR (6.8UH)		R122			RK73GB2A101J	CHIP R 100 J 1/10W	
L502			L40-3301-58	SMALL FIXED INDUCTOR (33UH)		R123			RK73GB2A102J	CHIP R 1.0K J 1/10W	
L503			L40-1021-56	SMALL FIXED INDUCTOR (1MH)		R125			RK73GB2A102J	CHIP R 1.0K J 1/10W	
L504			L40-1011-58	SMALL FIXED INDUCTOR (100UH)		R126			RK73GB2A104J	CHIP R 100K J 1/10W	
L505		*	L31-0979-05	FM-RF COIL		R127			RK73GB2A222J	CHIP R 2.2K J 1/10W	
L506		*	L31-0981-05	FM-RF COIL		R128			RK73GB2A225J	CHIP R 2.2M J 1/10W	
L507		*	L32-0945-05	FM OSCILLATING COIL		R129,130			RK73GB2A222J	CHIP R 2.2K J 1/10W	
L508		*	L30-0779-05	FM IFT		R131			RK73GB2A682J	CHIP R 6.8K J 1/10W	
L509		*	L30-0781-05	AM IFT		R132			RK73GB2A222J	CHIP R 2.2K J 1/10W	
L510			L40-4795-91	SMALL FIXED INDUCTOR (4.7UH)		R133			RK73GB2A123J	CHIP R 12K J 1/10W	
L512-514			L40-4795-91	SMALL FIXED INDUCTOR (4.7UH)		R135			RK73GB2A473J	CHIP R 47K J 1/10W	M1M2
L516,517			L40-4795-91	SMALL FIXED INDUCTOR (4.7UH)		R136			RK73GB2A473J	CHIP R 47K J 1/10W	KK1K2
X1			L77-1167-05	CRYSTAL RESONATOR (4.19MHZ)		R137			RK73GB2A473J	CHIP R 47K J 1/10W	E5
X501			L77-2077-05	CRYSTAL RESONATOR (10.25MHZ)		R138			RK73GB2A473J	CHIP R 47K J 1/10W	E5
F	2D		N80-3010-48	PAN HEAD TAPTITE SCREW		R138			RK73GB2A473J	CHIP R 47K J 1/10W	KK1K2
G	2D		N83-3005-48	PAN HEAD TAPTITE SCREW		R139			RK73GB2A473J	CHIP R 47K J 1/10W	M1M2
H	2D		N83-3020-48	PAN HEAD TAPTITE SCREW		R140			RK73GB2A473J	CHIP R 47K J 1/10W	KK1K2
J	2D		N86-2606-48	BINDING HEAD TAPTITE SCREW		R140			RK73GB2A473J	CHIP R 47K J 1/10W	E5
R10			RK73FB2B303J	CHIP R 30K J 1/8W		R141			RD14BB2C472J	RD 4.7K J 1/6W	
R11			RK73GB2A103J	CHIP R 10K J 1/10W		R143			RK73GB2A472J	CHIP R 4.7K J 1/10W	
R12			RK73GB2A104J	CHIP R 100K J 1/10W		R144			RK73GB2A104J	CHIP R 100K J 1/10W	
R20			RD14DB2H332J	SMALL-RD 3.3K J 1/2W		R145			RD14BB2C222J	RD 2.2K J 1/6W	
R21			RD14BB2C333J	RD 33K J 1/6W		R163			RD14BB2C100J	RD 10 J 1/6W	
R22			RK73GB2A103J	CHIP R 10K J 1/10W		R164,165			RD14BB2C471J	RD 470 J 1/6W	
R23			RK73GB2A104J	CHIP R 100K J 1/10W		R166			RD14BB2C102J	RD 1.0K J 1/6W	
R25			RD14BB2C472J	RD 4.7K J 1/6W	E5M1M2	R167			RD14BB2C101J	RD 100 J 1/6W	
R28			RD14BB2C472J	RD 4.7K J 1/6W		R169			RD14BB2C102J	RD 1.0K J 1/6W	
R30			RD14BB2C103J	RD 10K J 1/6W	E5M1M2	R170,171			RD14BB2C102J	RD 1.0K J 1/6W	K2
R31			RK73GB2A473J	CHIP R 47K J 1/10W	E5M1M2	R172			RD14BB2C470J	RD 47 J 1/6W	
R32			RK73GB2A223J	CHIP R 22K J 1/10W	E5M1M2	R174			RK73GB2A473J	CHIP R 47K J 1/10W	
R50			RD14BB2C562J	RD 5.6K J 1/6W		R181,182			RK73EB2E100J	CHIP R 10 J 1/4W	
R51			RK73GB2A473J	CHIP R 47K J 1/10W		R183-186			RK73GB2A103J	CHIP R 10K J 1/10W	
R57			RK73FB2B152J	CHIP R 1.5K J 1/8W		R201			RK73GB2A473J	CHIP R 47K J 1/10W	
R58			RD14BB2C471J	RD 470 J 1/6W		R223,224			RK73FB2B271J	CHIP R 270 J 1/8W	KK1K2
R67			RK73GB2A103J	CHIP R 10K J 1/10W	M1M2	R223,224			RK73FB2B271J	CHIP R 270 J 1/8W	M1M2
R68,69			RK73GB2A103J	CHIP R 10K J 1/10W		R227,228			RD14BB2C303J	RD 30K J 1/6W	KK1K2
R71			RK73GB2A823J	CHIP R 82K J 1/10W		R227,228			RD14BB2C303J	RD 30K J 1/6W	M1M2
R72			RK73GB2A363J	CHIP R 36K J 1/10W		R231,232			RD14BB2C101J	RD 100 J 1/6W	KK1K2

K : KDC-132 K1 : KDC-1032 K2 : KDC-132CR M1 : KDC-133 M2 : KDC-233 E5 : KDC-234SGY
(E : Europe K : North America M : Other Areas W : Without Europe)

△ Indicates safety critical components.

PARTS LIST

ELECTRIC UNIT (X34-419x-xx)

Ref. No.	Add	New	Parts No.	Description	Destination	Ref. No.	Add	New	Parts No.	Description	Destination
R231,232			RD14BB2C101J	RD 100 J 1/6W	M1M2	W405,406			R92-1252-05	CHIP R 0 OHM J 1/16W	K1M2
R251			RK73GB2A472J	CHIP R 4.7K J 1/10W	KK2E5	W409			R92-1252-05	CHIP R 0 OHM J 1/16W	K1M2
R251			RK73GB2A472J	CHIP R 4.7K J 1/10W	M1	W410			R92-1252-05	CHIP R 0 OHM J 1/16W	E5
R252,253			RD14BB2C472J	RD 4.7K J 1/6W	KK2E5	W415			R92-2053-05	CHIP R 0 OHM J 1/8W	
R252,253			RD14BB2C472J	RD 4.7K J 1/6W	M1	W500,501			R92-1252-05	CHIP R 0 OHM J 1/16W	
R254			RK73GB2A472J	CHIP R 4.7K J 1/10W	KK2E5	W506			R92-2053-05	CHIP R 0 OHM J 1/8W	
R254			RK73GB2A472J	CHIP R 4.7K J 1/10W	M1	W507			R92-1252-05	CHIP R 0 OHM J 1/16W	
R255			RK73GB2A333J	CHIP R 33K J 1/10W		W508			R92-2053-05	CHIP R 0 OHM J 1/8W	
R256			RK73FB2B102J	CHIP R 1.0K J 1/8W	KK2E5	W509			R92-1252-05	CHIP R 0 OHM J 1/16W	
R256			RK73FB2B102J	CHIP R 1.0K J 1/8W	M1	W510			R92-2053-05	CHIP R 0 OHM J 1/8W	
R257			RK73GB2A113J	CHIP R 11K J 1/10W		W511			R92-1252-05	CHIP R 0 OHM J 1/16W	
R258			RK73GB2A101J	CHIP R 100 J 1/10W	KK2E5	W516			R92-1252-05	CHIP R 0 OHM J 1/16W	KK1K2
R258			RK73GB2A101J	CHIP R 100 J 1/10W	M1	W516			R92-1252-05	CHIP R 0 OHM J 1/16W	M1M2
R258			RK73GB2A221J	CHIP R 220 J 1/10W	K1M2	W517			R92-2053-05	CHIP R 0 OHM J 1/8W	
R259			RD14BB2C223J	RD 22K J 1/6W		W519			R92-2053-05	CHIP R 0 OHM J 1/8W	
R260			RK73GB2A751J	CHIP R 750 J 1/10W	KK2E5	W521			R92-1252-05	CHIP R 0 OHM J 1/16W	
R260			RK73GB2A751J	CHIP R 750 J 1/10W	M1	W523,524			R92-1252-05	CHIP R 0 OHM J 1/16W	
R261			RK73GB2A100J	CHIP R 10 J 1/10W	K1M2	W530			R92-2053-05	CHIP R 0 OHM J 1/8W	
R261			RK73GB2A431J	CHIP R 430 J 1/10W	KK2E5	W531,532			R92-1252-05	CHIP R 0 OHM J 1/16W	
R261			RK73GB2A431J	CHIP R 430 J 1/10W	M1	W533			R92-2053-05	CHIP R 0 OHM J 1/8W	
R263			RK73GB2A184J	CHIP R 180K J 1/10W	KK2E5	W534			R92-1252-05	CHIP R 0 OHM J 1/16W	
R263			RK73GB2A184J	CHIP R 180K J 1/10W	M1	W578			R92-1252-05	CHIP R 0 OHM J 1/16W	E5M1M2
R263			RK73GB2A432J	CHIP R 4.3K J 1/10W	K1M2	W601			R92-1252-05	CHIP R 0 OHM J 1/16W	
R264			RK73GB2A473J	CHIP R 47K J 1/10W		W602			R92-2053-05	CHIP R 0 OHM J 1/8W	
R415			RK73GB2A104J	CHIP R 100K J 1/10W		D1			S2V60*A	DIODE	
R501			RK73GB2A682J	CHIP R 6.8K J 1/10W		D3	*		IMS A-6802-E	SURGE ABSORBER	
R502			RK73GB2A222J	CHIP R 2.2K J 1/10W		D10	*		MAZ4068N(M)	ZENER DIODE	
R503			RK73EB2E222J	CHIP R 2.2K J 1/4W		D11			D1F60-5063	DIODE	E5M1M2
R505			RK73GB2A102J	CHIP R 1.0K J 1/10W		D12			AM01ZNF	DIODE	E5M1M2
R506			RK73GB2A105J	CHIP R 1.0M J 1/10W		D13			D1F60-5063	DIODE	
R507			RK73GB2A102J	CHIP R 1.0K J 1/10W		D14			AM01ZNF	DIODE	
R521-524			RK73GB2A104J	CHIP R 100K J 1/10W		D20	*		MAZ4068N(M)	ZENER DIODE	
R525			RK73GB2A331J	CHIP R 330 J 1/10W	E5	D30	*		MAZ4047(M)	ZENER DIODE	E5M1M2
R525			RK73GB2A821J	CHIP R 820 J 1/10W	KK1K2	D40			1SS133	DIODE	
R525			RK73GB2A821J	CHIP R 820 J 1/10W	M1M2	D50			DAN202U	DIODE	
R526			RK73GB2A562J	CHIP R 5.6K J 1/10W		D51	*		MAZ4082N(L)	ZENER DIODE	
R527			RK73GB2A104J	CHIP R 100K J 1/10W		D70	*		MAZ4068N(M)	ZENER DIODE	
R528			RD14BB2C104J	RD 100K J 1/6W		D101			1SS133	DIODE	
R543			RK73GB2A562J	CHIP R 5.6K J 1/10W		D103			DA204U	DIODE	
R544			RK73GB2A222J	CHIP R 2.2K J 1/10W		D106	*		MAZ4062(L)	ZENER DIODE	
R545			RK73GB2A432J	CHIP R 4.3K J 1/10W		D108	*		MAZ4062(L)	ZENER DIODE	K2
R546			RK73GB2A333J	CHIP R 33K J 1/10W		D110			UDZS12B	ZENER DIODE	
R547			RK73GB2A220J	CHIP R 22 J 1/10W		D201,202	*		MAZ4068N(M)	ZENER DIODE	
R561			RK73GB2A272J	CHIP R 2.7K J 1/10W		D251-253			1SS133	DIODE	
R563,564			RK73GB2A103J	CHIP R 10K J 1/10W		D261-263			AM01ZNF	DIODE	K1M2
R565			RK73GB2A104J	CHIP R 100K J 1/10W		D264			1SR154-400	DIODE	K1M2
R566,567			RK73GB2A102J	CHIP R 1.0K J 1/10W		D265,266			AM01ZNF	DIODE	K1M2
R581			RK73GB2A102J	CHIP R 1.0K J 1/10W		D267,268			1SR154-400	DIODE	K1M2
R585			RD14BB2C1R0J	RD 1.0 J 1/6W		D501			RN739F	DIODE	
W121			R92-2053-05	CHIP R 0 OHM J 1/8W		D503			RN739F	DIODE	
W156			R92-2053-05	CHIP R 0 OHM J 1/8W		D504-506	*		KV1720STL-G	VARIABLE CAPACITANCE DIODE	
W158			R92-1252-05	CHIP R 0 OHM J 1/16W		IC1	*		780058GC630A	MICROCONTROLLER IC	
W160			R92-2052-05	CHIP R 0 OHM J 1/10W	M1M2	IC4	*		E-TDA7386	ANALOGUE IC	KK2E5
W161,162			R92-2053-05	CHIP R 0 OHM J 1/8W		IC4	*		E-TDA7386	ANALOGUE IC	M1
W165			R92-2053-05	CHIP R 0 OHM J 1/8W							

K : KDC-132 K1 : KDC-1032 K2 : KDC-132CR M1 : KDC-133 M2 : KDC-233 E5 : KDC-234SGY
(E : Europe K : North America M : Other Areas W : Without Europe)

△ Indicates safety critical components.

PARTS LIST

ELECTRIC UNIT (X34-419x-xx)

Ref. No.	A d d	N e w	Parts No.	Description	Desti- nation
IC4			E-TDA7560	ANALOGUE IC	K1M2
IC7			BA4911-V4	ANALOGUE IC	
IC8			HD74HC27FP-E	MOS-IC	
IC10		*	E-TDA7513T	ANALOGUE IC	
IC11		*	PST3435UL-E	MOS-IC	
IC12			BR24L04FV-W	ROM IC	
Q10			2SC4081	TRANSISTOR	
Q20			2SC4081	TRANSISTOR	
Q40			DTA124EUA	DIGITAL TRANSISTOR	KK1K2
Q40			DTA124EUA	DIGITAL TRANSISTOR	M1M2
Q50			2SA1036K	TRANSISTOR	
Q51			UMC2N	TRANSISTOR	
Q53			UMC2N	TRANSISTOR	M1M2
Q55			2SD2396(J,K)	TRANSISTOR	
Q70			2SC4081	TRANSISTOR	
Q102			DTA114YUA	DIGITAL TRANSISTOR	
Q223,224			DTC143TUA	DIGITAL TRANSISTOR	KK1K2
Q223,224			DTC143TUA	DIGITAL TRANSISTOR	M1M2
Q251			DTC114YUA	DIGITAL TRANSISTOR	KK2E5
Q251			DTC114YUA	DIGITAL TRANSISTOR	M1
Q501			HN3G01J(BL)-F	TRANSISTOR	
Q502		*	3SK126-F	DUAL FET	
TH1			PRF21BE471QB2	POSITIVE RESISTOR	
DAUGHTER UNIT (X89-2690-10)					
C221,222			CD04AS1C100M	ELECTRO 10UF 16WV	K1
CN90			E41-0956-05	PIN ASSY	K1
CN91			E41-0930-05	PIN ASSY	K1
W101			E31-0001-00	JUMPER WIRE	K1
R221,222			RK73GB2A271J	CHIP R 270 J 1/10W	K1
R225,226			RK73GB2A303J	CHIP R 30K J 1/10W	K1
R229,230			RD14BB2C101J	RD 100 J 1/6W	K1
Q221,222			DTC143TUA	DIGITAL TRANSISTOR	K1
Q225			DTA124EUA	DIGITAL TRANSISTOR	K1
MECHANISM ASSY (X92-5450-00)					
2	1B		A10-4827-32	CHASSIS	
5	1B		D10-4576-83	ARM ASSY	
8	2A		D10-4579-23	LEVER ASSY	
10	2A		D10-4581-13	ARM	
11	2A		D10-4582-13	ARM	
12	3A		D10-4583-03	ARM	
13	3A		D10-4584-03	ARM	
14	3B		D10-4585-03	ARM	
15	2A		D10-4586-13	SLIDER	
16	3B		D10-4587-52	SLIDER	
17	2B		D10-4588-13	SLIDER	
18	2B		D10-4595-04	ARM	
19	2B		D10-4596-24	ARM	
22	2A		D13-2151-04	GEAR	
23	2B		D13-2152-04	GEAR	
24	3B		D13-2153-04	GEAR	
25	3B		D13-2154-04	GEAR	
26	3B		D13-2155-04	WORM	

Ref. No.	A d d	N e w	Parts No.	Description	Desti- nation
27	2B		D13-2156-14	GEAR	
28	3B		D13-2157-04	GEAR	
29	2B		D13-2158-04	GEAR	
30	2B		D13-2168-04	GEAR	
31	3B		D13-2171-04	GEAR	
32	1B	*	D13-2381-03	RACK (GEAR)	
33	2A		D14-0759-04	ROLLER	
35	2B		D21-2382-04	SHAFT	
36	1A		D23-0954-04	RETAINER	
37	1B		D39-0246-05	DAMPER	
38	2B		G01-3072-04	EXTENSION SPRING	
39	2A		G01-3073-04	TORSION COIL SPRING	
40	2A		G01-3074-04	EXTENSION SPRING	
41	1B		G01-3075-24	EXTENSION SPRING	
42	2A		G01-3076-04	EXTENSION SPRING	
43	1B		G01-3077-14	EXTENSION SPRING	
44	2B		G02-1399-04	FLAT SPRING	
45	2B		G02-1408-04	FLAT SPRING	
46	2A		G13-1258-04	CUSHION	
51	1A		J21-9676-32	MOUNTING HARDWARE	
52	3B		J21-9677-22	MOUNTING HARDWARE	
53	1B		J21-9678-13	MOUNTING HARDWARE	
55	1A		J90-1001-11	GUIDE	
56	1B		J90-1023-03	GUIDE	
DFPC1	3A		J84-0141-05	FLEXIBLE PRINTED WIRING BOARD	
A	2B		N09-4460-05	TAPTITE SCREW (OVAL P TAPTIT)	
B	1B	*	N09-6317-05	MACHINE SCREW (M1.6X6.0)	
C	2B		N09-6004-05	MACHINE SCREW (M1.7X2.5)	
E	2B		N09-6007-05	MACHINE SCREW (PAN M2X2)	
F	1A		N09-6051-05	TAPTITE SCREW (BIND P 2X5)	
G	2A		N19-2163-04	FLAT WASHER	
H	1B		N39-2020-46	PAN HEAD MACHINE SCREW	
J	1B		N09-6108-05	MACHINE SCREW (M2X3.5)	
K	3B		N09-6155-05	SEMS (TAPTITE SCREW) (PT2X6)	
DM1	3B	*	T42-1066-14	DC MOTOR (SPINDLE)	
DM2	2B	*	T42-1067-14	DC MOTOR (LOADING)	
DPU1	2B	*	X93-2130-00	OPTICAL PICKUP ASSY	

K : KDC-132 K1 : KDC-1032 K2 : KDC-132CR M1 : KDC-133 M2 : KDC-233 E5 : KDC-234SGY
(E : Europe K : North America M : Other Areas W : Without Europe)

△ Indicates safety critical components.