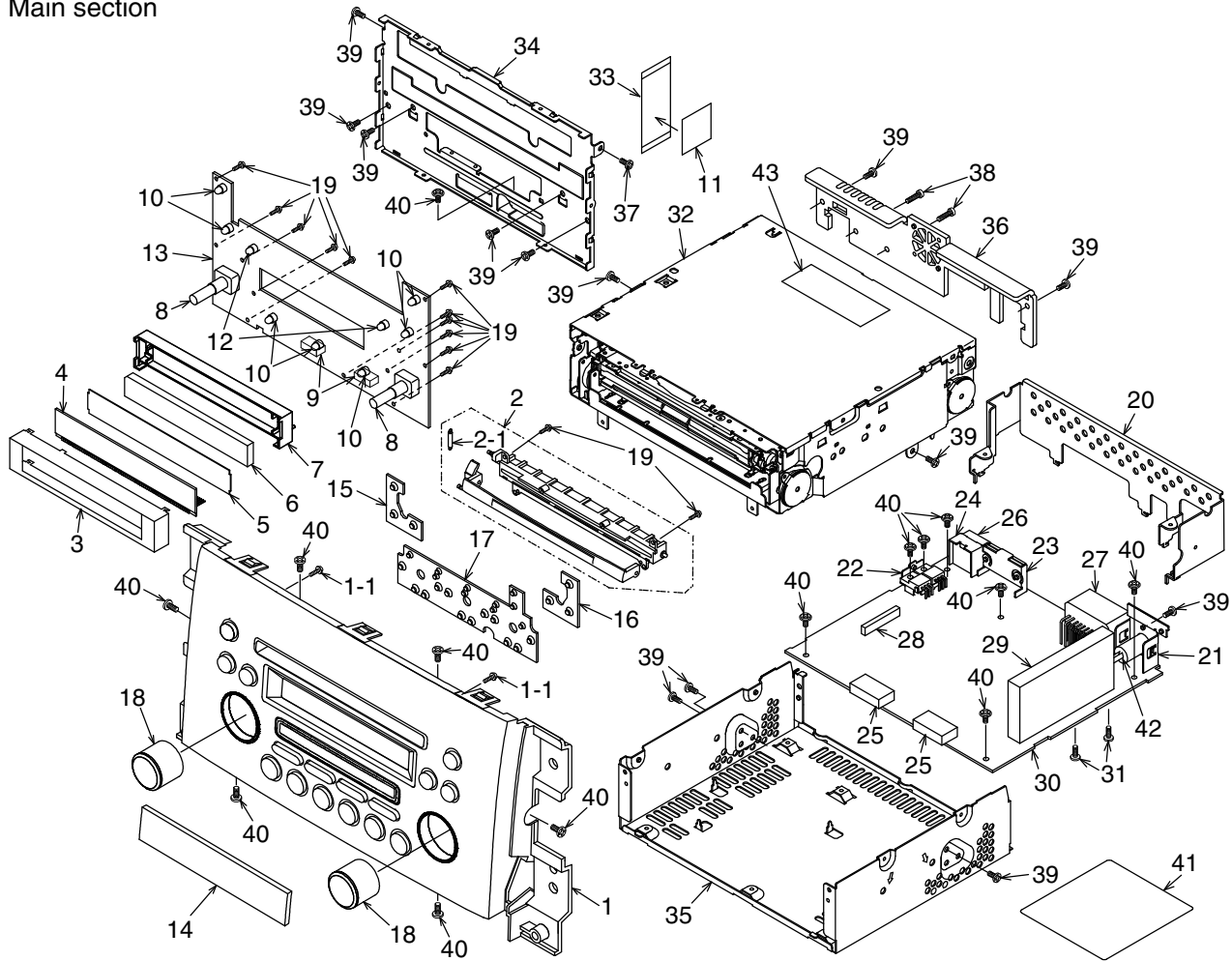


# EXPLODED VIEW / PARTS LIST

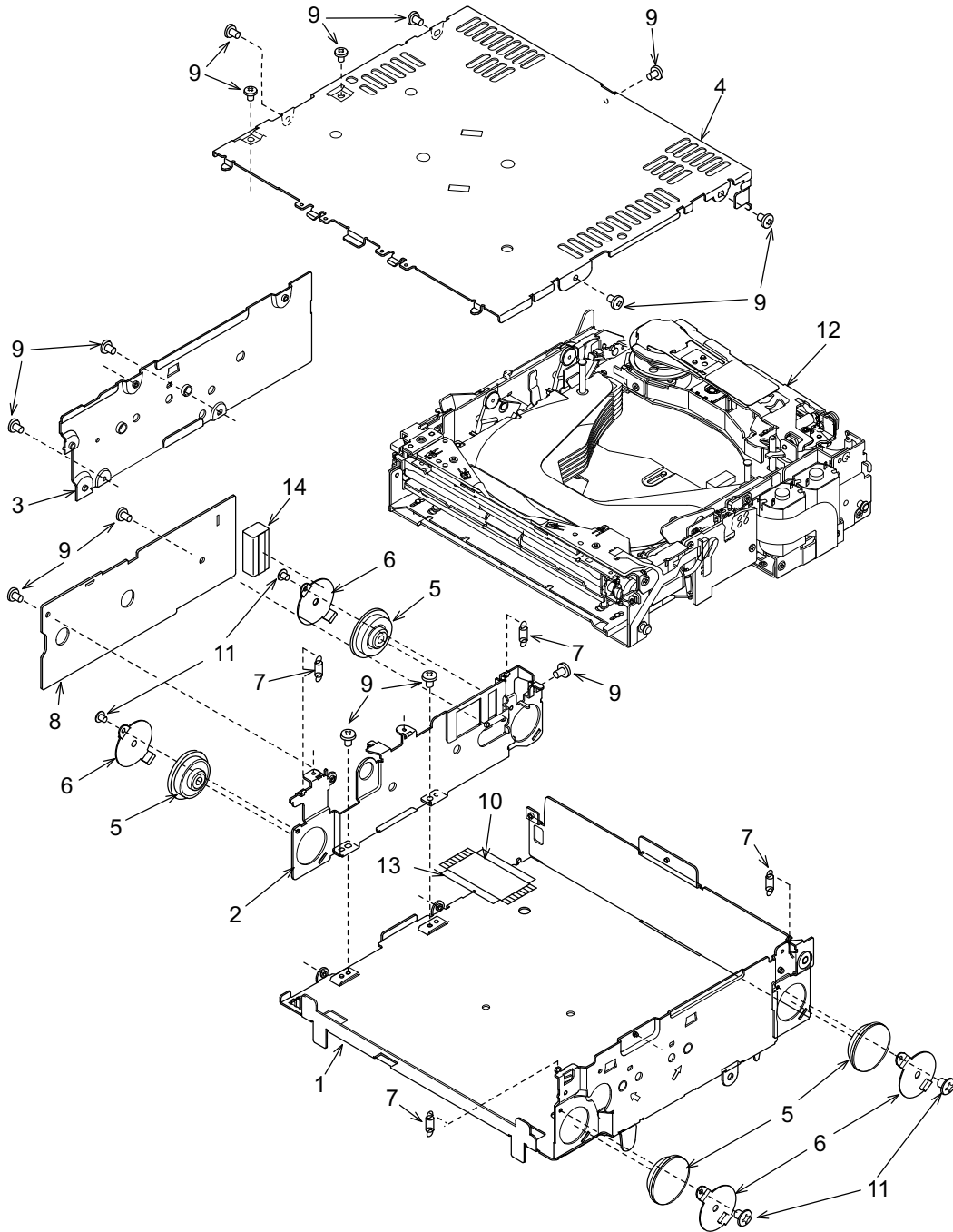
## Main section



NO.	PART NO.	DESCRIPTION	Q'TY	NO.	PART NO.	DESCRIPTION	Q'TY
1	940-8084-52	ES-ASSY(PS-2654D-A)	1	22	331-3458-00	TR HOLDER	1
	940-8084-81	ES-ASSY(PS-2654D-B)	1	23	331-3459-00	IC HOLDER	1
1-1	716-0778-00	WAVE SCREW(2x6)	2	24	331-3460-00	CONNECTOR HOLDER	1
2	947-0567-01	DOOR ASSY	1	25	076-0648-12	PLUG(12P)	2
2-1	750-6708-00	SPRING	1	26	074-1194-00	OUTLET SOCKET(Ce NET)	1
3	331-3883-00	LCD CVR	1	27	074-4007-20	OUTLET SOCKET(20P)	1
4	379-1335-52	INDICATOR(LCD)	1	28	074-1192-20	OUTLET SOCKET(20P)	1
5	335-7322-00	COLOR FILTER	1	29	941-0215-72	TUNER PACK	1
6	335-7323-00	LCD ILLUMI	1	30	-----	MAIN PWB	1
7	335-7291-00	LCD HOLDER	1	31	778-3006-00	TAP SCREW(3x6)	2
8	016-0014-12	VR W/SHAFT	2	32	929-0702-80	CD CHANGER MODULE	1
9	074-3000-62	OUTLET SOCKET(12P)	2	33	816-4012-50	FLAT WIRE	1
10	017-0420-43	PILOT LAMP(14V 40mA)	7	34	309-0803-11	ES PLATE	1
11	335-7621-00	WIRE SUPPORT	1	35	311-1861-01	LOWER CASE	1
12	017-0429-22	PILOT LAMP(8V 105mA)	2	36	313-1856-00	HEAT SINK	1
13	-----	SWITCH PWB	1	37	714-2003-89	MACHINE SCREW(M2x3)	1
14	373-1047-00	DIAL CVR	1	38	714-2612-81	MACHINE SCREW(M2.6x12)	2
15	345-5782-00	RUBBER SW(A)	1	39	714-2606-81	MACHINE SCREW(M2.6x6)	13
16	345-5783-00	RUBBER SW(B)	1	40	716-0878-00	IT SCREW(M2.6x5)	14
17	345-5784-00	RUBBER SW(C)	1	41	286-6224-13	SETPLATE(PS-2654D-A)	1
18	380-5610-00	KNOB	2		286-6224-17	SETPLATE(PS-2654D-B)	1
19	716-0778-00	WAVE SCREW(2x6)	13	42	092-0702-00	ANT RECEPT	1
20	331-3722-00	MECH BRKT	1	43	285-1960-00	GUIDE LABEL	1
21	331-3444-10	ANT HOLDER	1				

PS-2654D-A/B

CD changer module section

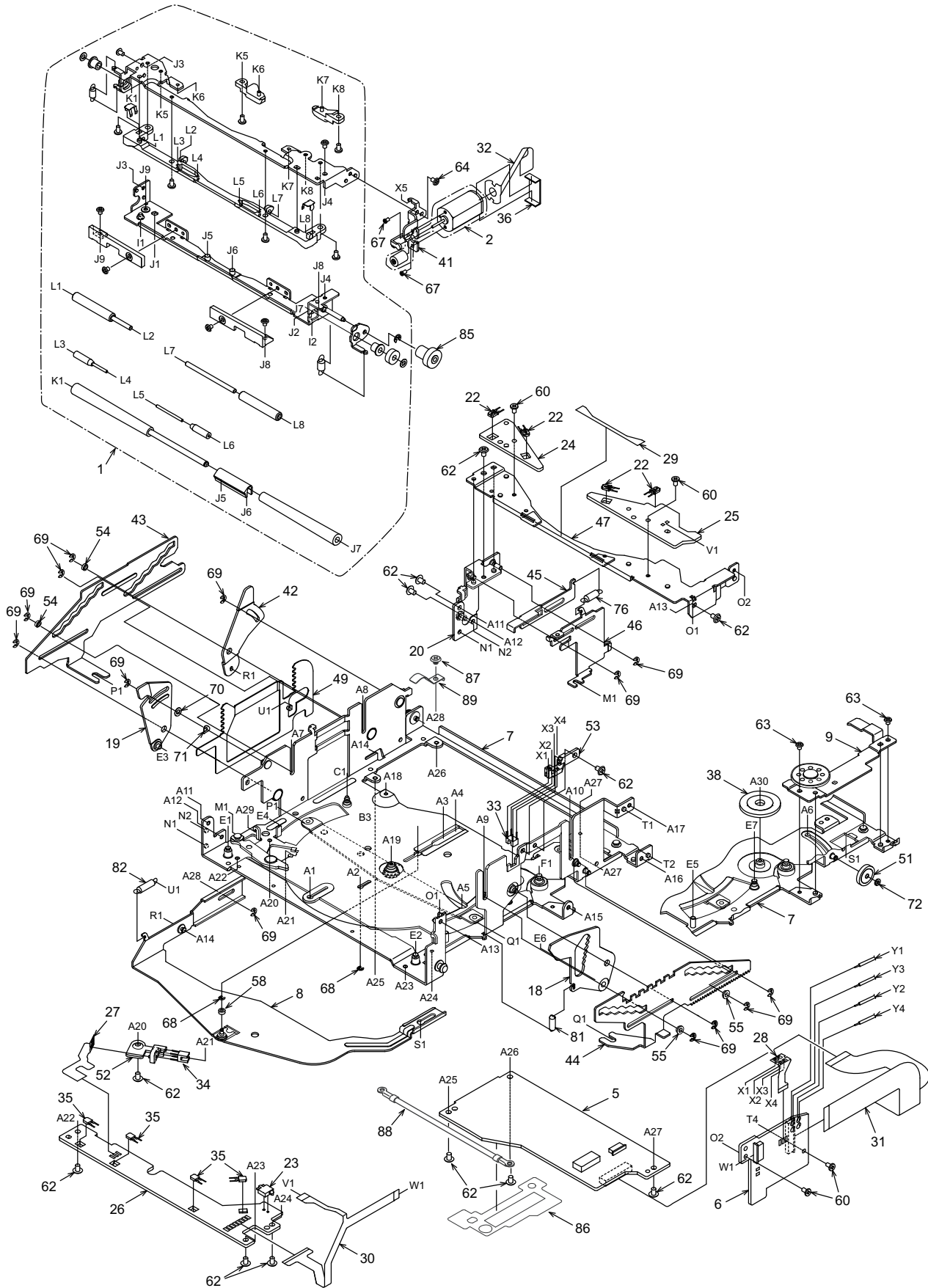


NO.	PART NO.	DESCRIPTION	Q'TY	NO.	PART NO.	DESCRIPTION	Q'TY
1	311-1864-24	LOWER CASE	1	8	-----	CD PWB	1
2	331-3896-22	PWB-HOLDER	1	9	716-1716-00	SCREW(M2x3)	14
3	305-0334-20	SIDE CASE	1	10	HBS-561-100	FPC(45P)	1
4	310-1741-27	UPPER CASE	1	11	716-3450-00	SCREW(M1.7x2)	4
5	629-0083-01	DAMPER	4	12	-----	CD CHANGER MECHANISM	1
6	620-1086-20	DAMPER-H-PLT	4	13	347-6619-00	INSULATOR	1
7	750-3491-00	FL-SPRING	4	14	345-8748-00	GASKET	1

\* No. 12: Refer to CD changer mechanism section. (page 10-12)

# CD changer mechanism section: Main chassis

(Parts list: page 12)

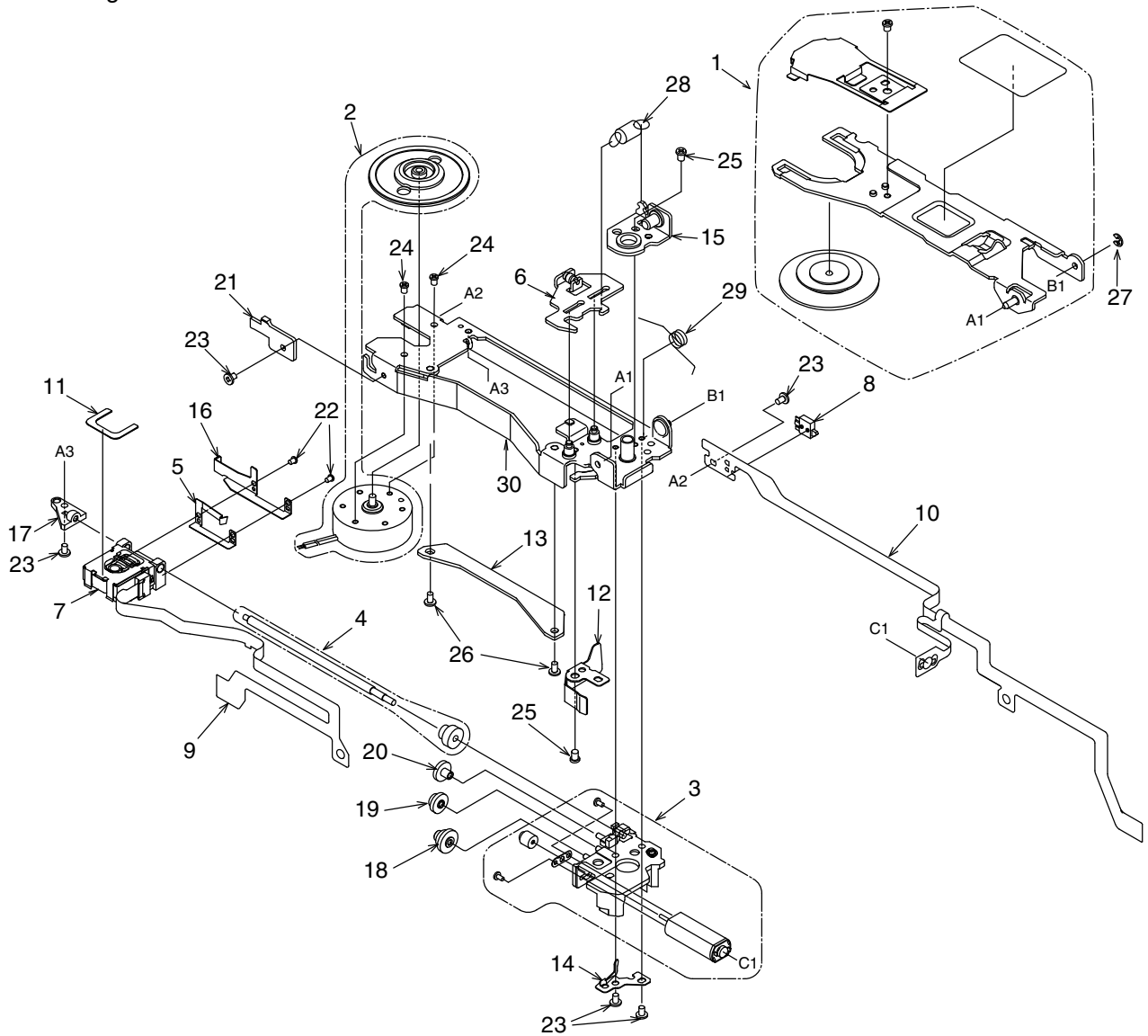




NO.	PART NO.	DESCRIPTION	Q'TY	NO.	PART NO.	DESCRIPTION	Q'TY
1	HBS-521-100	LOADING UNIT	1	49	620-1090-20	GAP PLATE	1
2	SMA-186-100	LOADING MOTOR ASSY	1	50	620-1568-21	RATTLEPLATE-F	2
3	HBS-530-100	MOTOR PLATE SUB ASSY	1	51	621-0640-20	V-GEAR-G	1
4	HBS-531-104	DRIVE UNIT	1	52	621-0641-21	PI-HOLDER-M	1
5	-----	DSP PWB	1	53	621-0656-21	PI-HOLDER-V	1
6	-----	DRIVER PWB	1	54	622-1622-20	SL-G-ROLLER	2
7	966-1751-22	CHASSIS ASSY	1	55	622-1623-00	SL-G-ROLLER-R	2
8	966-0600-23	LOCK-P-RE-ASSY	1	56	622-1648-23	DU-STP-SLEEVE	1
9	966-0601-21	M-GEAR-P-ASSY	1	57	622-1650-23	COV-PLATE PIN-B	2
10	966-0602-24	DR-LINK-ASSY	1	58	622-1651-00	LOCK-RE-ROLLER	1
11	966-0603-21	MODE-P-ASSY	1	59	622-1652-00	LOCK-PF-ROLLER	1
12	966-0604-26	LOCK-PF-ASSY	1	60	716-1866-00	SCREW(M1.7x3)	4
13	966-0605-20	SHIFT-P-ASSY	1	61	716-1873-00	SCREW(M2x1.6)	1
14	966-0606-23	HLC-PLATE-ASSY	1	62	716-3449-00	SCREW(M2x3)	15
15	966-0607-26	COV-OLATE-ASSY	1	63	716-3450-00	SCREW(M1.7x2)	4
16	HBS-535-100	TOP-PLATE-ASSY	1	64	716-3451-00	SCREW(M1.7x2.5)	4
17	966-0652-22	DR-BASE-P-ASSY	1	65	716-3459-00	SCREW(M1.7x5)	1
18	966-0615-21	LOCK-L-RF-ASSY	1	66	716-3466-03	SCREW(M2x6)	1
19	966-0616-20	LOCK-L-LF-ASSY	1	67	738-1422-11	SCREW(M1.2X2.2)	2
20	966-0618-21	EJECT-B-ASSY	1	68	743-1200-10	E-RING	2
21	966-0624-27	DISC-HOL-ASSY	1	69	743-1500-10	E-RING	13
22	001-7042-00	DIODE (GL4800)	4	70	746-0624-00	WASHER	1
23	013-7414-50	DETECTOR SWITCH	1	71	746-0712-23	WASHER	1
24	-----	LED-L-PWB	1	72	746-0761-00	WASHER	1
25	-----	LED-R-PWB	1	73	750-3478-01	TOP-P-SP-L	2
26	-----	SENSOR PWB	1	74	750-3479-01	TOP-P-SP-R	1
27	039-2009-00	PIM-FPC (WITHOUT COMPONENT)	1	75	750-3480-01	DR-LOCK-SP	1
28	039-2010-00	PIV-FPC (WITHOUT COMPONENT)	1	76	750-3483-00	EJECT-A-SPRING	1
29	039-2011-01	LED-FPC	1	77	750-3484-01	DR-BASE-SPRING	1
30	039-2012-00	SENSOR-FPC	1	78	750-3485-01	TENSION-SP-L	1
31	039-2013-02	MOS-FPC	1	79	750-3486-01	LO-TENSION-SP	1
32	039-2014-01	L-MOTOR-FPC (WITHOUT COMPONENT)	1	80	750-3489-01	DRIVE-P-SPRING	1
33	051-5806-01	IC (GPIS93)	1	81	750-3496-00	GAP-P-SPRING R	1
34	051-5806-02	IC (GPIS95)	1	82	750-3497-00	GAP-P-SPRING L	1
35	060-0252-01	PHOTO-TR	4	83	750-6711-01	DU-STP-SPRING	1
36	347-6657-01	LO-COVER SHEET	1	84	750-6712-01	DR-LOCK-SP-B	1
37	620-1041-26	GEAR PLATE	1	85	621-0651-22	LOADGEAR-A	1
38	620-1042-20	M-GEAR-H	1	86	347-6974-22	FPC COVER	1
39	620-1056-22	HLR-PLATE-L	1	87	716-1850-01	SCREW(M2x2)	1
40	620-1580-20	HLR-PLATE-R	1	88	854-4348-01	EXTENSION LEAD	1
41	620-1576-20	LO-MOTOR-PLT	1	89	620-1604-20	DR-PLATE-SCREW	1
42	620-1066-20	LOCK LINK-LR	1				
43	620-1067-21	SLIDEPLATE-L	1				
44	620-1068-22	SLIDEPLATE-R	1				
45	620-1071-21	EJECTARM	1				
46	620-1072-20	EJECT PLATE	1				
47	620-1577-20	FRONTPLATE	1				
48	620-1083-20	FPC-PLATE	1				

\* No.4 : Refer to Drive unit section.(page 13)

CD changer mechanism section: Drive unit



NO.	PART NO.	DESCRIPTION	Q'TY
1	HBS-532-101	CLAMPER SUB ASSY	1
2	SMA-193-101	SPINDLE MOTOR ASSY	1
3	SMA-191-100	SLED MOTOR ASSY	1
4	HBS-515-101	LS-ASSY	1
5	620-1587-83	SH-SP-PLT	1
6	HBS-542-101	D-SHIFT-P-ASSY	1
7	969-0011-01	PICKUP-ASSY	1
8	013-7414-50	DETECT SWITCH	1
9	039-2015-01	P/U-FPC	1
10	039-2016-02	M/S-FPC (WITHOUT COMPONENT)	1
11	347-6632-00	PU-SHEET	1
12	620-1078-20	PUSH PLATE	1
13	620-1080-22	PU-GUIDE PLATE	1
14	620-1081-20	SCREW PUSH-PLT	1
15	966-0650-20	SPRING PLT ASSY	1
16	620-1730-81	SCREW-HOL-PLT	1

NO.	PART NO.	DESCRIPTION	Q'TY
17	621-0670-20	LS-HOLDER-L	1
18	621-0673-20	D-GEAR A	1
19	621-0674-20	D-GEAR B	1
20	621-0675-20	D-GEAR C	1
21	621-0683-21	DU-STOPPER	1
22	716-3511-00	SCREW(M1.4x3)	2
23	716-3470-00	SCREW(M1.7x3)	5
24	738-1720-17	SCREW(M1.7x2)	2
25	738-2025-17	SCREW(M2x2.5)	2
26	716-3474-00	SCREW(M1.7x3)	2
27	743-1500-20	E-RING	1
28	750-3487-00	SHIFT-P-SPRING	1
29	750-3504-00	CLAMP-A-SPRING	1
30	966-0649-02	DRIVE PLT-ASSY	1

# ELECTRICAL PARTS LIST

Main PWB(B1) section

Note) Several different parts of the same reference number are alternative parts.  
One of those parts is used in the set.

REF No.	PART No.	DESCRIPTION	REF No.	PART No.	DESCRIPTION	REF No.	PART No.	DESCRIPTION
ANT102	092-0702-00	ANT-RECEPT	C625	168-5612-55	560pF K	D306	001-4301-25	HZU4.7B1
BL101	941-0215-72	TUNER	C626	188-1053-68	50V 1uF	D308	001-0347-69	MA4180M
C107	168-2232-55	0.022uF K	C627	188-1053-68	50V 1uF	D310	001-0516-90	MA111
C109	178-4742-78	0.47uF	C632	168-1042-78	16V 0.1uF	D312	001-0516-90	MA111
C113	189-1073-29	10V 100uF	C633	168-1042-78	16V 0.1uF	D314	001-0466-90	S5688B
C114	168-1042-78	16V 0.1uF	C634	168-1042-78	16V 0.1uF	D316	001-0504-36	HZS7A1L
C115	168-1042-78	16V 0.1uF	C635	168-1042-78	16V 0.1uF	D401	001-0504-39	HZS7B2L
C116	168-1042-78	16V 0.1uF	C640	168-1022-55	1000pF K	D402	001-0347-34	MA4062L
C117	166-1801-50	18pF CH	C641	168-1022-55	1000pF K	D403	001-0347-40	MA4075L
C118	166-1801-50	18pF CH	C642	168-1022-55	1000pF K	D803	001-0347-46	MA4091L
C119	188-1073-28	10V 100uF	C643	168-1022-55	1000pF K	D804	001-0516-90	MA111
C120	168-2232-55	0.022uF K	C644	188-1063-38	16V 10uF	D805	001-0466-90	S5688B
C121	166-1011-50	100pF CH	C645	188-1063-38	16V 10uF	D806	001-0466-90	S5688B
C122	166-1011-50	100pF CH	C646	168-3332-78	0.033uF K	D807	001-0466-90	S5688B
C123	042-1458-90	50V 1uF LN	C647	168-5632-78	16V 0.056uF	D808	001-2015-00	RL253
C124	168-2232-55	0.022uF K	C648	168-5632-78	16V 0.056uF	IC102	051-6212-18	LC72191JM-UC
C125	188-4763-38	16V 47uF	C649	168-4712-55	470pF K	IC301	051-6600-58	HA12187FP
C126	168-1022-55	1000pF K	C650	168-4712-55	470pF K	IC302	052-3196-00	M30624MGA-630GP
C127	188-4763-38	16V 47uF	C670	188-1073-28	10V 100uF	IC303	051-0869-58	NJM2103M
C128	166-1011-50	100pF CH	C671	168-1042-78	16V 0.1uF	IC304	051-9400-29	BR93L46F-W
C129	166-1011-50	100pF CH	C672	188-1073-28	10V 100uF	IC601	051-5027-10	LC75412WH-UC
C131	168-2232-55	0.022uF K	C691	178-1052-78	1uF	IC702	051-2040-00	TA8276H
C132	166-1011-50	100pF CH	C692	188-1063-38	16V 10uF	IC951	051-0350-93	NJM4558M
C133	166-1011-50	100pF CH	C693	188-1063-38	16V 10uF	J202	074-1192-20	20P
C138	119-0000-05	1/10W 0 ohm JW	C694	188-1063-38	16V 10uF	J301	074-1194-00	13P Ce-NET
C204	168-2232-55	0.022uF K	C695	188-1063-38	16V 10uF	J801	074-4007-20	20P
C205	168-1042-78	16V 0.1uF	C696	178-1052-78	1uF	L101	010-2003-04	30uH
C206	189-2273-28	10V 220uF	C730	168-1042-78	16V 0.1uF	L103	010-6009-76	22uH J
C213	188-1063-38	16V 10uF	C731	168-1042-78	16V 0.1uF	L104	010-6009-76	22uH J
C214	188-1073-28	10V 100uF	C732	168-1042-78	16V 0.1uF	L202	010-6009-76	22uH J
C215	188-4763-38	16V 47uF	C733	168-1042-78	16V 0.1uF	L301	010-6009-76	22uH J
C216	188-4763-18	6.3V 47uF	C734	188-1053-68	50V 1uF	L302	010-6009-76	22uH J
C217	168-1042-78	16V 0.1uF	C735	188-1063-38	16V 10uF	P401	076-0648-12	12P
C301	168-1032-55	0.01uF K	C738	188-1053-68	50V 1uF	P402	076-0648-12	12P
C302	168-1042-78	16V 0.1uF	C801	188-1063-38	16V 10uF	Q105	192-2712-51	2SC2712 G,L
C303	188-4763-18	6.3V 47uF	C806	188-4763-38	16V 47uF	Q106	192-2712-51	2SC2712 G,L
C304	168-1032-55	0.01uF K	C807	188-1073-28	10V 100uF	Q108	191-1240-00	2SB1240
C305	168-1032-55	0.01uF K	C809	172-1041-15	0.1uF	Q109	191-1240-00	2SB1240
C306	168-1032-55	0.01uF K	C810	188-1053-68	50V 1uF	Q110	191-1240-00	2SB1240
C307	168-1042-78	16V 0.1uF	C811	188-4756-58	35V4.7uF	Q201	190-1428-00	2SA1428
C309	188-1053-68	50V 1uF	C812	168-1042-78	16V 0.1uF	Q202	125-2004-92	RN1402
C311	168-1022-55	1000pF K	C813	042-1586-00	16V 4700uF	Q204	193-1858-00	2SD1858
C312	168-1022-55	1000pF K	C814	172-1041-15	0.1uF	Q205	193-1858-00	2SD1858
C313	168-1042-78	16V 0.1uF	C851	168-1032-55	0.01uF K	Q208	190-1428-00	2SA1428
C314	188-2263-38	16V 22uF	C951	168-1042-78	16V 0.1uF	Q209	192-2712-00	2SC2712
C315	168-1042-78	16V 0.1uF	C952	188-4763-38	16V 47uF	Q210	125-2004-92	RN1402
C316	042-0559-00	5.5V 0.1F	C953	166-2201-50	22pF CH	Q211	192-2712-00	2SC2712
C318	188-1073-28	10V 100uF	C954	166-2201-50	22pF CH	Q214	103-2012-00	2SD2012
C319	168-1042-78	16V 0.1uF	C955	166-1007-50	10pF CH	Q215	103-2012-00	2SD2012
C320	188-4763-38	16V 47uF	C956	166-1007-50	10pF CH	Q219	125-0002-92	RN2402
C401	188-1063-38	16V 10uF	C957	188-1063-38	16V 10uF	Q220	125-2004-92	RN1402
C402	188-1063-38	16V 10uF	C958	188-1063-38	16V 10uF	Q301	192-2712-00	2SC2712
C403	188-1063-38	16V 10uF	C959	188-1063-38	16V 10uF	Q304	192-2712-00	2SC2712
C404	188-1073-28	10V 100uF	C960	188-1063-38	16V 10uF	Q308	192-2712-00	2SC2712
C603	188-2253-67	50V 2.2uF	C961	168-1042-78	16V 0.1uF	Q309	125-0002-92	RN2402
C604	168-1532-55	0.015uF K	CCT301	050-0140-54	1/32W 1k ohm x4J	Q310	192-2712-00	2SC2712
C605	168-1532-55	0.015uF K	D203	001-4301-33	HZU 5.6B3	Q311	191-1240-00	2SB1240
C606	188-2253-68	50V 2.2uF	D205	001-0347-50	MA4100M	Q312	192-2712-00	2SC2712
C610	168-4712-55	470pF K	D206	001-0516-90	MA111	Q320	193-2118-50	2SD2118F5 R,S
C611	168-4712-55	470pF K	D207	001-0516-90	MA111	Q401	125-0002-92	RN2402
C619	188-4763-37	16V 47uF	D301	001-0347-69	MA4180M	Q402	125-2004-92	RN1402
C620	188-4763-17	6.3V 47uF	D302	001-0454-91	MA700A	Q403	193-1858-00	2SD1858
C622	178-5642-78	0.56uF	D303	001-0454-91	MA700A	Q404	125-0002-92	RN2402
C623	178-5642-78	0.56uF	D304	001-0347-69	MA4180M	Q405	125-2004-92	RN1402
C624	168-5612-55	560pF K	D305	001-4301-32	HZU 5.6B2			

REF No.	PART No.	DESCRIPTION	REF No.	PART No.	DESCRIPTION	REF No.	PART No.	DESCRIPTION
Q407	192-2712-00	2SC2712	R320	119-4721-15	1/10W 4.7k ohm	R620	119-1051-15	1/10W 1M ohm
Q409	193-2118-00	2SD2118F5 Q,R,S	R322	119-0000-05	1/10W 0 ohm JW	R651	119-0000-05	1/10W 0 ohm JW
Q701	125-2004-92	RN1402	R323	119-0000-05	1/10W 0 ohm JW	R652	119-0000-05	1/10W 0 ohm JW
Q705	192-2712-00	2SC2712	R325	119-1031-15	1/10W 10k ohm	R670	116-2291-15	1/4W 2.2 ohm
Q801	190-1428-00	2SA1428	R328	119-0000-05	1/10W 0 ohm JW	R671	116-8211-15	1/4W 820 ohm
Q802	192-2712-00	2SC2712	R329	119-0000-05	1/10W 0 ohm JW	R672	116-1021-15	1/4W 1k ohm
Q804	193-2118-00	2SD2118F5 Q,R,S	R332	119-0000-05	1/10W 0 ohm JW	R691	119-3331-15	1/10W 33k ohm
Q807	125-0002-92	RN2402	R334	119-1031-15	1/10W 10k ohm	R692	119-3331-15	1/10W 33k ohm
Q808	125-2004-92	RN1402	R335	119-4731-15	1/10W 47k ohm	R693	119-3331-15	1/10W 33k ohm
Q809	191-1240-00	2SB1240	R336	119-4731-15	1/10W 47k ohm	R694	119-3331-15	1/10W 33k ohm
Q810	192-2712-00	2SC2712	R337	119-4731-15	1/10W 47k ohm	R723	119-3931-15	1/10W 39k ohm
Q811	192-2712-00	2SC2712	R338	119-4731-15	1/10W 47k ohm	R724	119-3931-15	1/10W 39k ohm
Q812	192-2712-00	2SC2712	R339	117-2231-15	1/8W 22k ohm	R729	119-1031-15	1/10W 10k ohm
R107	119-0000-05	1/10W 0 ohm JW	R340	111-6801-94	1/4W 68 ohm	R733	119-8221-15	1/10W 8.2k ohm
R112	119-2221-15	1/10W 2.2k ohm	R341	117-2231-15	1/8W 22k ohm	R734	119-2221-15	1/10W 2.2k ohm
R115	119-2221-15	1/10W 2.2k ohm	R342	119-1031-15	1/10W 10k ohm	R735	119-2221-15	1/10W 2.2k ohm
R116	119-2231-15	1/10W 22k ohm	R344	117-5621-15	1/8W 5.6k ohm	R736	119-2221-15	1/10W 2.2k ohm
R117	111-1001-94	1/4W 10 ohm	R345	119-2231-15	1/10W 22k ohm	R737	119-2221-15	1/10W 2.2k ohm
R119	119-5631-15	1/10W 56k ohm	R346	117-1021-15	1/8W 1k ohm	R738	119-2221-15	1/10W 2.2k ohm
R120	119-3321-15	1/10W 3.3k ohm	R347	119-1021-15	1/10W 1k ohm	R739	119-4731-15	1/10W 47k ohm
R121	119-2221-15	1/10W 2.2k ohm	R348	119-2231-15	1/10W 22k ohm	R740	119-4731-15	1/10W 47k ohm
R122	119-4721-15	1/10W 4.7k ohm	R349	119-1031-15	1/10W 10k ohm	R801	116-4721-15	1/4W 4.7k ohm
R123	119-1021-15	1/10W 1k ohm	R350	119-1041-15	1/10W 100k ohm	R802	111-1031-94	1/4W 10k ohm
R124	119-5121-15	1/10W 5.1k ohm	R351	119-1041-15	1/10W 100k ohm	R803	119-1031-15	1/10W 10k ohm
R125	119-1041-15	1/10W 100k ohm	R352	119-6831-15	1/10W 68k ohm	R804	119-1031-15	1/10W 10k ohm
R126	119-2221-15	1/10W 2.2k ohm	R354	119-3341-15	1/10W 330k ohm	R805	116-2221-15	1/4W 2.2k ohm
R128	119-1021-15	1/10W 1k ohm	R355	119-6831-15	1/10W 68k ohm	R806	116-2221-15	1/4W 2.2k ohm
R129	119-1021-15	1/10W 1k ohm	R356	119-5631-15	1/10W 56k ohm	R815	116-4711-15	1/4W 470 ohm
R131	119-1031-15	1/10W 10k ohm	R357	111-1211-94	1/4W 120 ohm	R816	111-5621-94	1/4W 5.6k ohm
R132	119-1031-15	1/10W 10k ohm	R358	119-2241-15	1/10W 220k ohm	R817	116-2221-15	1/4W 2.2k ohm
R133	119-2221-15	1/10W 2.2k ohm	R359	119-4731-15	1/10W 47k ohm	R818	117-1031-15	1/8W 10k ohm
R134	119-2221-15	1/10W 2.2k ohm	R360	119-1531-15	1/10W 15k ohm	R819	116-2221-15	1/4W 2.2k ohm
R135	119-1031-15	1/10W 10k ohm	R361	119-1021-15	1/10W 1k ohm	R820	119-3321-15	1/10W 3.3k ohm
R136	119-0000-05	1/10W 0 ohm JW	R363	119-1031-15	1/10W 10k ohm	R821	119-1031-15	1/10W 10k ohm
R137	119-3311-15	1/10W 330 ohm	R364	119-1021-15	1/10W 1k ohm	R822	116-5611-15	1/4W 560 ohm
R140	119-1041-15	1/10W 100k ohm	R365	119-1031-15	1/10W 10k ohm	R826	119-4721-15	1/10W 4.7k ohm
R202	119-5611-15	1/10W 560 ohm	R366	119-2221-15	1/10W 2.2k ohm	R827	119-1831-15	1/10W 18k ohm
R203	119-2221-15	1/10W 2.2k ohm	R367	119-0000-05	1/10W 0 ohm JW	R828	119-0000-05	1/10W 0 ohm JW
R206	116-2291-15	1/4W 2.2 ohm	R370	116-1001-15	1/4W 10 ohm	R830	111-4721-94	1/4W 4.7k ohm
R207	116-2291-15	1/4W 2.2 ohm	R371	119-4721-15	1/10W 4.7k ohm	R831	119-0000-05	1/10W 0 ohm JW
R208	119-0000-05	1/10W 0 ohm JW	R372	119-0000-05	1/10W 0 ohm JW	R832	119-0000-05	1/10W 0 ohm JW
R210	119-3611-15	1/10W 360 ohm	R379	117-6821-15	1/8W 6.8k ohm	R851	119-5631-15	1/10W 56k ohm
R213	119-0000-05	1/10W 0 ohm JW	R401	119-1221-15	1/10W 1.2k ohm	R852	119-1221-15	1/10W 1.2k ohm
R216	119-4731-15	1/10W 47k ohm	R402	032-0092-51	1/8W 1k ohm F	R951	119-1031-15	1/10W 10k ohm
R218	119-3321-15	1/10W 3.3k ohm	R403	032-0092-56	1/8W 22k ohm F	R952	119-1031-15	1/10W 10k ohm
R223	116-4711-15	1/4W 470 ohm	R404	119-1541-15	1/10W 150k ohm	R953	119-1031-15	1/10W 10k ohm
R225	119-4721-15	1/10W 4.7k ohm	R405	116-1021-15	1/4W 1k ohm	R954	119-1031-15	1/10W 10k ohm
R226	116-4711-15	1/4W 470 ohm	R406	119-2231-15	1/10W 22k ohm	R955	119-1031-15	1/10W 10k ohm
R227	119-2231-15	1/10W 22k ohm	R407	119-2231-15	1/10W 22k ohm	R956	119-1031-15	1/10W 10k ohm
R231	116-2291-15	1/4W 2.2 ohm	R408	116-1591-15	1/4W 1.5 ohm	R957	119-1031-15	1/10W 10k ohm
R232	116-2291-15	1/4W 2.2 ohm	R411	060-0108-00	JUMPER WIRE	R958	119-1031-15	1/10W 10k ohm
R237	111-1511-81	1/2W 150 ohm	R414	119-4721-15	1/10W 4.7k ohm	R959	119-1021-15	1/10W 1k ohm
R245	119-4731-15	1/10W 47k ohm	R415	119-4721-15	1/10W 4.7k ohm	SUP101	060-0122-20	DSP-141N-S00B
R246	119-4731-15	1/10W 47k ohm	R417	119-4721-15	1/10W 4.7k ohm	T801	009-0670-00	180uH
R306	119-1031-15	1/10W 10k ohm	R453	119-0000-05	1/10W 0 ohm JW	TH801	002-0222-90	PTH61G30BD
R307	119-4721-15	1/10W 4.7k ohm	R603	119-1031-15	1/10W 10k ohm	TM101	073-0762-90	TERMINAL
R308	119-4721-15	1/10W 4.7k ohm	R605	119-4721-15	1/10W 4.7k ohm	TM102	073-0762-90	TERMINAL
R309	119-4721-15	1/10W 4.7k ohm	R606	119-1831-15	1/10W 18k ohm	TM103	073-0762-90	TERMINAL
R310	119-4731-15	1/10W 47k ohm	R607	119-1831-15	1/10W 18k ohm	TM104	073-0762-90	TERMINAL
R311	119-4731-15	1/10W 47k ohm	R608	119-4721-15	1/10W 4.7k ohm	X101	061-1066-00	7.2MHz
R313	119-4731-15	1/10W 47k ohm	R610	119-1031-15	1/10W 10k ohm	X301	060-1533-90	10MHz
R314	119-4721-15	1/10W 4.7k ohm	R615	119-2221-15	1/10W 2.2k ohm	PWB	039-2696-00	PWB(WITHOUT COMPONENT)
R316	032-0140-66	1/10W 220 ohm F	R616	119-2221-15	1/10W 2.2k ohm			
R317	119-0000-05	1/10W 0 ohm JW	R617	119-3931-15	1/10W 39k ohm			
R319	119-4721-15	1/10W 4.7k ohm	R618	119-3931-15	1/10W 39k ohm			

## Switch PWB(B2) section

REF No.	PART No.	DESCRIPTION	REF No.	PART No.	DESCRIPTION	REF No.	PART No.	DESCRIPTION
C901	168-1042-78	16V 0.1uF	PL902	017-0420-43	14V 40mA	R907	119-0000-05	1/10W 0 ohm JW
C902	168-1042-78	16V 0.1uF	PL903	017-0429-22	8V 105mA	R911	119-0000-05	1/10W 0 ohm JW
C903	168-1042-78	16V 0.1uF	PL904	017-0420-43	14V 40mA	R913	119-0000-05	1/10W 0 ohm JW
C904	168-1042-78	16V 0.1uF	PL905	017-0420-43	14V 40mA	R914	119-0000-05	1/10W 0 ohm JW
C905	168-1042-78	16V 0.1uF	PL907	017-0420-43	14V 40mA	R915	119-3331-15	1/10W 33k ohm
C906	168-2212-55	220pF K	PL908	017-0420-43	14V 40mA	R916	119-1021-15	1/10W 1k ohm
IC901	051-6052-20	LC75817NTRH-8720-UC-E	PL909	017-0420-43	14V 40mA	R917	119-1021-15	1/10W 1k ohm
J901	074-3000-62	12P	PL910	017-0420-43	14V 40mA	S901	013-7415-50	SPVG110400
J902	074-3000-62	12P	Q901	192-2712-00	2SC2712	TH901	002-0306-90	SC20-3J153
L901	010-3406-66	NLV25 22uH J	R901	119-4731-15	1/10W 47k ohm	VR901	016-0014-12	VR W/SHAFT
LCD901	379-1335-52	INDICATOR(LCD)	R904	119-0000-05	1/10W 0 ohm JW	VR902	016-0014-12	VR W/SHAFT
PL901	017-0429-22	8V 105mA	R905	119-0000-05	1/10W 0 ohm JW	PWB	039-2538-00	PWB(WITHOUT COMPONENT)
			R906	119-0000-05	1/10W 0 ohm JW			

## CD PWB(B3) section: CD changer mechanism

REF No.	PART No.	DESCRIPTION	REF No.	PART No.	DESCRIPTION	REF No.	PART No.	DESCRIPTION
C1	168-4735-56	0.047uF Z	IC4	051-9402-78	BR93L56RFVM-W	R25	119-1031-15	1/10W 10k ohm
C2	168-4735-56	0.047uF Z	IC5	051-3332-90	NJU7222U33	R26	119-4721-15	1/10W 4.7k ohm
C4	168-1222-55	1200pF K	IC6	051-3293-90	BA033SFP-E2	R27	119-1031-15	1/10W 10k ohm
C5	163-2263-35	16V22uF	J1	074-1189-95	45P	R28	119-1041-15	1/10W 100k ohm
C6	168-1222-55	1200pF K	J3	074-1237-70	20P	R29	119-1041-15	1/10W 100k ohm
C12	168-1222-55	1200pF K	P1	076-0478-55	PLUG	R31	119-4731-15	1/10W 47k ohm
C15	168-1222-55	1200pF K	Q3	190-1162-00	2SA1162	R32	119-0000-05	1/10W 0 ohm JW
C16	163-2263-35	16V22uF	Q4	198-3018-00	2SK3018	R35	119-0000-05	1/10W 0 ohm JW
C18	168-1045-56	0.1uF Z	Q5	131-1188-50	2SB1188PQR	R36	119-4731-15	1/10W 47k ohm
C19	166-1011-50	100pF CH	Q6	198-3018-00	2SK3018	R37	119-4731-15	1/10W 47k ohm
C21	168-1032-55	0.01uF K	Q7	125-2004-92	RN1402	R38	119-2231-15	1/10W 22k ohm
C22	168-1045-56	0.1uF Z	Q7	125-2020-92	DTC114EKA-T146	R39	119-2231-15	1/10W 22k ohm
C23	168-1045-56	0.1uF Z	Q8	125-2004-92	RN1402	R40	119-2231-15	1/10W 22k ohm
C24	168-1032-55	0.01uF K	Q8	125-2020-92	DTC114EKA-T146	R41	119-4711-15	1/10W 470 ohm
C25	163-1073-15	6.3V 100uF	Q9	125-0002-92	RN2402	R42	119-2231-15	1/10W 22k ohm
C26	178-1052-78	1uF	Q9	125-0014-92	DTA114EK	R43	119-2241-15	1/10W 220k ohm
C27	168-1045-56	0.1uF Z	Q53	193-0601-00	2SD601A	R60	119-0000-05	1/10W 0 ohm JW
C28	042-0671-01	10V 47uF TA	R2	119-2211-15	1/10W 220 ohm	R530	119-4731-15	1/10W 47k ohm
C29	168-1045-56	0.1uF Z	R4	119-4731-15	1/10W 47k ohm	R550	119-4731-15	1/10W 47k ohm
C30	178-3342-78	0.33uF	R8	119-4731-15	1/10W 47k ohm	TM1	073-0768-90	TERMINAL
C31	042-1673-00	10V 220uF	R10	119-2211-15	1/10W 220 ohm	TM2	073-0766-90	TERMINAL
CCT4	050-0140-55	1/32W 2.2k ohmx4J	R13	119-1041-15	1/10W 100k ohm	TM4	073-0766-90	TERMINAL
CCT5	050-0145-54	1/16W 47k ohm x4	R14	119-2221-15	1/10W 2.2k ohm	TM5	073-0766-90	TERMINAL
CCT6	050-0145-53	1/16W 220k ohmx4 J	R15	119-1041-15	1/10W 100k ohm	X1	060-1533-90	10MHz
D2	001-2610-90	RB48OKTL	R16	119-1021-15	1/10W 1k ohm	PWB	039-2532-20	PWB(WITHOUT COMPONENT)
IC2	051-5445-08	BD5227G-TR	R20	119-4731-15	1/10W 47k ohm			
IC3	052-5061-10	M30621MCM-5Z7GP	R24	119-4731-15	1/10W 47k ohm			

## DSP PWB(B4) section: CD changer mechanism

REF No.	PART No.	DESCRIPTION	REF No.	PART No.	DESCRIPTION	REF No.	PART No.	DESCRIPTION
C1	042-0671-01	10V 47uF TA	C24	168-1045-56	0.1uF Z	C50	168-1045-56	0.1uF Z
C2	168-4735-56	0.047uF Z	C25	046-6822-58	6800pF	C51	168-1045-56	0.1uF Z
C3	046-4722-58	4700pF	C26	046-1032-78	0.01uF	C53	168-1045-56	0.1uF Z
C4	046-1032-78	0.01uF	C28	046-1022-58	1000pF	C54	042-0671-01	10V 47uF TA
C5	168-1045-56	0.1uF Z	C29	046-3332-78	0.033uF	C56	168-4712-55	470pF K
C6	042-0671-01	10V 47uF TA	C32	046-4722-58	4700pF	C57	046-1032-78	0.01uF
C7	168-1045-56	0.1uF Z	C33	046-1522-58	1500pF	C58	168-4712-55	470pF K
C8	168-1045-56	0.1uF Z	C34	168-1045-56	0.1uF Z	C59	168-1045-56	0.1uF Z
C9	045-1007-50	10pF	C35	046-1532-78	0.015uF	C60	168-1045-56	0.1uF Z
C10	168-1045-56	0.1uF Z	C36	168-1045-56	0.1uF Z	C61	046-1032-78	0.01uF
C11	045-1007-50	10pF	C37	168-1045-56	0.1uF Z	C62	042-0671-01	10V 47uF TA
C12	168-1045-56	0.1uF Z	C38	042-0671-01	10V 47uF TA	C63	046-1032-78	0.01uF
C13	042-0672-00	25V 47uF TA	C39	178-1052-78	1uF	C64	168-1045-56	0.1uF Z
C14	168-4735-56	0.047uF Z	C40	045-6801-50	68pF	C65	045-1201-50	12pF
C15	168-4735-56	0.047uF Z	C41	168-1045-56	0.1uF Z	C66	046-1032-78	0.01uF
C16	168-4735-56	0.047uF Z	C42	178-1052-78	1uF	C67	046-1032-78	0.01uF
C17	178-1052-78	1uF	C43	042-0671-01	10V 47uF TA	C68	168-1045-56	0.1uF Z
C18	045-4701-50	47pF	C44	046-6812-58	680pF	C69	045-1201-50	12pF
C19	168-1045-56	0.1uF Z	C45	168-1045-56	0.1uF Z	C101	046-1032-78	0.01uF
C20	046-4712-58	470pF	C46	168-1045-56	0.1uF Z	C102	046-1032-78	0.01uF
C21	046-4712-58	470pF	C47	042-0671-01	10V 47uF TA	CCT1	050-0140-68	1/32W 3.3k ohm x4J
C22	168-1045-56	0.1uF Z	C48	168-5632-78	16V 0.056uF	CCT4	050-0140-63	1/32W 47k ohm x4J
C23	046-1532-78	0.015uF	C49	168-1045-56	0.1uF Z	D1	001-0367-91	1SS226

REF No.	PART No.	DESCRIPTION	REF No.	PART No.	DESCRIPTION	REF No.	PART No.	DESCRIPTION
D2	001-2610-90	RB480KTL	R5	033-2211-15	1/10W 220 ohm	R40	033-1011-15	1/10W 100 ohm
IC2	051-6399-00	TC94A15F	R6	033-1021-15	1/10W 1k ohm	R41	033-1001-15	1/10W 10 ohm
IC3	051-6060-08	BD7961FM-E2	R7	033-1051-15	1/10W 1M ohm	R42	033-1001-15	1/10W 10 ohm
IC4	051-7518-18	SN74LVC139APWR	R8	033-0000-05	1/10W 0 ohm	R45	033-1011-15	1/10W 100 ohm
IC5	052-5062-03	MBM29DL800BA-90PFTN	R10	033-5621-15	1/10W 5.6k ohm	R46	033-4731-15	1/10W 47k ohm
IC6	051-7518-18	SN74LVC139APWR	R11	033-4731-15	1/10W 47k ohm	R47	033-4731-15	1/10W 47k ohm
IC7	051-9330-00	K4S641632F-TC60	R12	119-3341-15	1/10W 330k ohm	R48	033-1011-15	1/10W 100 ohm
IC8	051-7203-48	SN74LV74APW	R13	033-2231-15	1/10W 22k ohm	R49	033-0000-05	1/10W 0 ohm
IC9	051-6700-00	TMS320DA140P-GE160	R14	033-2231-15	1/10W 22k ohm	R50	033-0000-05	1/10W 0 ohm
IC10	051-3315-90	TPS76316DBVR	R15	117-1001-15	1/8W 10 ohm	R51	033-8231-15	1/10W 82k ohm
IC11	051-7221-58	SN74AHC1G04-HDCKR	R16	033-5631-15	1/10W 56k ohm	R52	033-0000-05	1/10W 0 ohm
IC12	051-7525-08	SN74AHC1G04-HDCKR	R17	033-3331-15	1/10W 33k ohm	R53	033-4731-15	1/10W 47k ohm
IC13	051-7526-08	SN74AHC1G04-HDCKR	R18	033-6831-15	1/10W 68k ohm	R63	033-2231-15	1/10W 22k ohm
J1	074-1201-65	15P	R19	033-6831-15	1/10W 68k ohm	R64	033-2231-15	1/10W 22k ohm
J2	074-1138-56	6P	R20	033-1011-15	1/10W 100 ohm	R65	033-4731-15	1/10W 47k ohm
J3	074-1059-76	26P	R21	116-4711-15	1/4W 470 ohm	R66	033-4731-15	1/10W 47k ohm
J4	074-1189-95	45P	R22	117-1811-15	1/8W 180 ohm	R100	033-1011-15	1/10W 100 ohm
J5	074-1201-60	10P	R23	116-4711-15	1/4W 470 ohm	R101	033-1011-15	1/10W 100 ohm
L2	010-3104-54	MPZ1608S601AT	R24	033-2231-15	1/10W 22k ohm	R102	033-1011-15	1/10W 100 ohm
L3	010-3104-54	MPZ1608S601AT	R25	033-2231-15	1/10W 22k ohm	R103	033-1011-15	1/10W 100 ohm
Q1	131-1188-50	2SB1188PQR	R26	033-2231-15	1/10W 22k ohm	R104	033-1011-15	1/10W 100 ohm
Q2	131-1188-50	2SB1188PQR	R27	033-1011-15	1/10W 100 ohm	R105	033-1011-15	1/10W 100 ohm
Q3	125-2004-92	RN1402	R28	033-4731-15	1/10W 47k ohm	R106	033-1011-15	1/10W 100 ohm
Q3	125-2020-92	DTC114EKA-T146	R29	033-2231-15	1/10W 22k ohm	R107	033-4731-15	1/10W 47k ohm
R1	033-1021-15	1/10W 1k ohm	R30	033-4721-15	1/10W 4.7k ohm	R200	033-1051-15	1/10W 1M ohm
R2	033-1021-15	1/10W 1k ohm	R31	033-4721-15	1/10W 4.7k ohm	R201	033-1021-15	1/10W 1k ohm
R3	033-3311-15	1/10W 330 ohm	R32	033-4731-15	1/10W 47k ohm	R202	033-1021-15	1/10W 1k ohm
R4	033-2211-15	1/10W 220 ohm	R33	033-4731-15	1/10W 47k ohm	R220	033-4731-15	1/10W 47k ohm
			R35	033-4731-15	1/10W 47k ohm	R301	119-2231-15	1/10W 22k ohm
			R36	033-3311-15	1/10W 330 ohm	R302	119-3911-15	1/10W 390 ohm
			R37	033-4731-15	1/10W 47k ohm	X1	061-3534-90	16.932MHz
			R38	033-3311-15	1/10W 330 ohm	PWB	039-2531-20	PWB(WITHOUT COMPONENT)
			R39	033-2211-15	1/10W 220 ohm			

Sensor PWB(B5) section: CD changer mechanism

REF No.	PART No.	DESCRIPTION	REF No.	PART No.	DESCRIPTION
PT3	060-0252-01	PT4850F	S1	013-7414-50	SPVG22
PT4	060-0252-01	PT4850F	PWB	039-1956-00	PWB(WITHOUT COMPONENT)
PT5	060-0252-01	PT4850F			
PT6	060-0252-01	PT4850F			

PIM-FPC PWB(B6) section: CD changer mechanism

REF No.	PART No.	DESCRIPTION
IC5	051-5806-02	GPIS95

Driver PWB(B7) section: CD changer mechanism

REF No.	PART No.	DESCRIPTION	REF No.	PART No.	DESCRIPTION	REF No.	PART No.	DESCRIPTION
C1	168-1045-56	0.1uF	J1	074-1239-76	26P	R3	032-0104-59	1/4W 2.2 ohm
C2	163-1073-35	16V100uF	J2	074-1100-59	9P	S1	013-7412-50	SPVG21
D1	001-0529-29	MA8051-M	R1	033-1021-15	1/10W 1k ohm	PWB	039-2242-00	PWB(WITHOUT COMPONENT)
IC1	051-6044-18	BA6920FP-Y	R2	032-0104-59	1/4W 2.2 ohm			

PIV-FPC PWB(B8) section: CD changer mechanism

REF No.	PART No.	DESCRIPTION
IC6	051-5806-01	GPIS93

LED-L-PWB(B9) section: CD changer mechanism

REF No.	PART No.	DESCRIPTION	REF No.	PART No.	DESCRIPTION
LED3	001-7042-00	GL4800	PWB	039-1954-20	PWB(WITHOUT COMPONENT)
LED4	001-7042-00	GL4800			

LED-R-PWB(B10) section: CD changer mechanism

REF No.	PART No.	DESCRIPTION	REF No.	PART No.	DESCRIPTION
LED5	001-7042-00	GL4800	PWB	039-1955-20	PWB(WITHOUT COMPONENT)
LED6	001-7042-00	GL4800			

L-Motor-FPC (B11) section: CD changer mechanism

REF No.	PART No.	DESCRIPTION
M1	SMA-186-100	LOADING

M/S-FPC (B12) section: CD changer mechanism

REF No.	PART No.	DESCRIPTION	REF No.	PART No.	DESCRIPTION	REF No.	PART No.	DESCRIPTION
M2	SMA-193-100	SPINDLE	M3	SMA-191-100	SLED	S2	013-7414-50	SPVG22