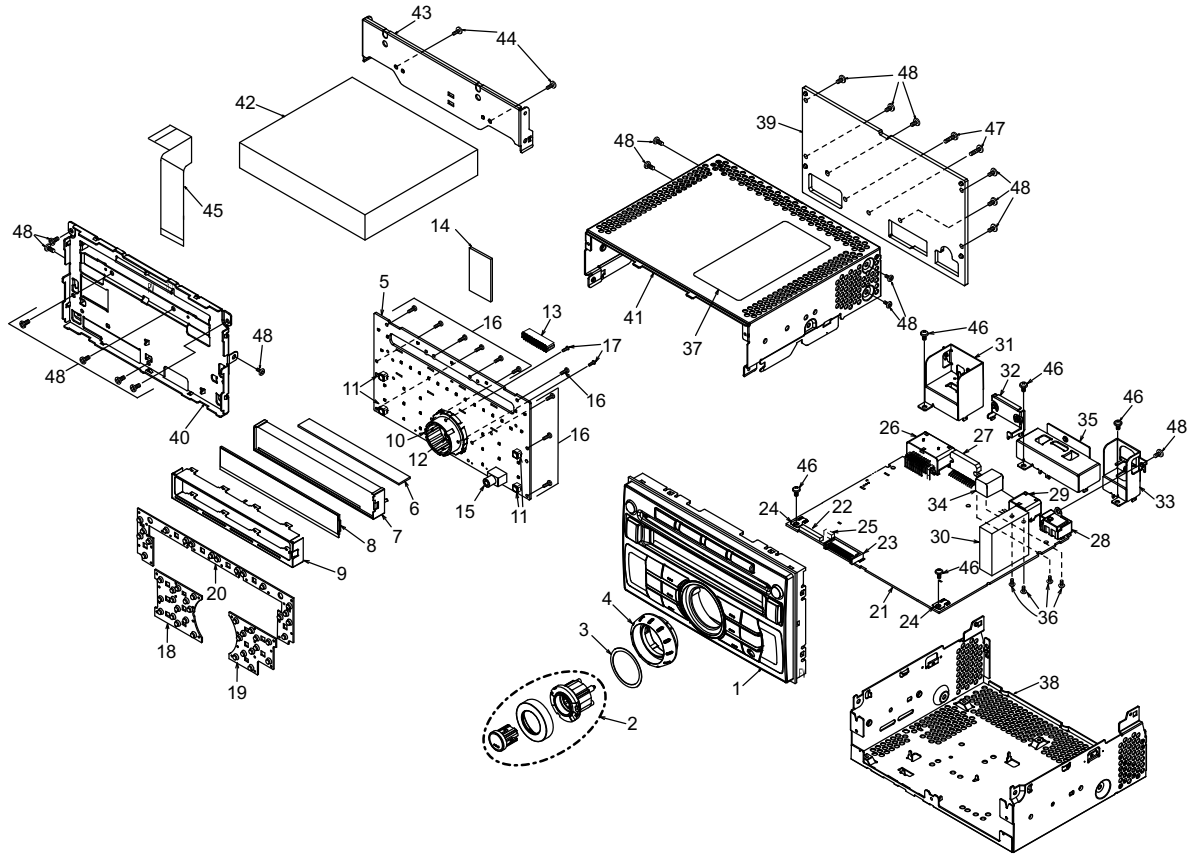


EXPLODED VIEW/PARTS LIST

Main section



NO.	PART NO.	DESCRIPTION	Q'TY
1	940-8441-80	ES-ASSY	1
2	947-0591-10	KNOB ASSY	1
3	347-7959-00	SHADE	1
4	380-5655-00	KNOB	1
5	-----	Switch PWB	1
6	345-6311-01	RUBBER CONNECT	1
7	335-8365-00	LCD-HOLDER	1
8	379-1434-53	INDICATOR (LCD)	1
9	331-4675-01	LCD COVER	1
10	016-7004-00	ROTARY SWITCH	1
11	013-6202-52	TACT SWITCH	4
12	013-6201-53	SWITCH	1
13	074-3033-26	SOCKET (26P)	1
14	345-8090-00	CUSHION RUBBER	1
15	075-0395-01	JACK	1
16	716-0778-52	WAVE SCREW (2x6)	10
17	716-0872-51	SCREW (M1.7x5)	2
18	345-6308-00	RUBBER SW (LH)	1
19	345-6309-00	RUBBER SW (RH)	1
20	345-6310-00	RUBBER SW (FRONT)	1
21	-----	Main PWB	1
22	074-1189-88	SOCKET (38P)	1
23	076-3011-76	PLUG (26P)	1
24	073-0762-90	TERMINAL	2

NO.	PART NO.	DESCRIPTION	Q'TY
25	076-6000-59	PLUG (9P)	1
26	074-4009-20	SOCKET (20P)	1
27	051-2067-00	IC (TB2946HQ))	1
28	092-2210-01	ANT-RECEPT	1
29	074-1302-16	SOCKET (16P)	1
30	880-2091L	AM/FM TUNER	1
31	331-4679-00	SOCKET HOLDER	1
32	331-4678-00	IC-HOLDER	1
33	331-4676-00	ANT-HOLDER	1
34	074-1302-08	SOCKET (8P)	1
35	331-4677-00	SHIELD CASE	1
36	778-3006-00	SPECIAL SCREW (M3x6)	4
37	276-0153-08	SETPLATE	1
38	311-1993-00	LOWER CASE	1
39	313-2070-20	HEAT SINK	1
40	309-1885-00	ES-PLATE (1CD)	1
41	310-1916-00	UPPER CASE	1
42	929-5027-81	CD-MECH-MODULE	1
43	331-4123-00	CD BRKT	1
44	714-2603-89	MACHINE SCREW (M2.6x3)	2
45	816-3020-51	FLAT WIRE	1
46	716-0878-50	SCREW (M2.6x5)	5
47	735-2614-1B	D-SEMS SCREW (M2.6x14)	2
48	714-2606-8B	MACHINE SCREW (M2.6x6)	18

ELECTRICAL PARTS LIST

Main PWB(B1) section

REF No.	PART No.	DESCRIPTION	REF No.	PART No.	DESCRIPTION	REF No.	PART No.	DESCRIPTION
ANT101	092-2210-01	ANT-RECEPT	C336	168-1052-78	16V 1uF K	C521	166-5611-50	560pF CH
BL101	880-2091L	AM/FM TUNER	C337	168-3332-78	0.033uF K	C522	166-5611-50	560pF CH
C101	168-2222-55	2200pF K	C338	168-1022-55	1000pF K	C523	168-1042-78	16V 0.1uF K
C104	119-0000-05	1/10W 0 ohm JW	C340	168-1022-55	1000pF K	C524	168-2242-58	0.22uF K
C112	043-0319-51	200pF J CH	C341	166-1011-50	100pF CH	C525	043-0552-90	6.3V 47uF M
C113	166-2201-50	22pF CH	C342	168-1022-55	1000pF K	C526	043-0566-90	50V 2.2uF K
C118	168-1022-55	1000pF K	C343	168-4712-55	470pF K	C527	043-0604-90	25V 10uF B
C121	163-1073-35	16V 100uF	C344	168-1042-78	16V 0.1uF K	C529	168-4742-78	0.47uF K
C124	168-2222-55	2200pF K	C345	168-1022-55	1000pF K	C530	168-1042-38	50V 0.1uF K
C127	168-1022-55	1000pF K	C347	168-3322-55	3300pF K	C531	163-1073-35	16V 100uF
C129	168-1022-55	1000pF K	C348	168-3322-55	3300pF K	C532	168-1542-58	0.15uF K
C132	168-1022-55	1000pF K	C349	168-3322-55	3300pF K	C533	168-1542-58	0.15uF K
C135	168-1022-55	1000pF K	C350	168-3322-55	3300pF K	C534	168-1542-58	0.15uF K
C136	163-1073-35	16V 100uF	C351	168-3322-55	3300pF K	C535	168-1542-58	0.15uF K
C152	163-1063-35	16V 10uF	C352	168-3322-55	3300pF K	C536	168-1042-78	16V 0.1uF K
C154	163-1063-35	16V 10uF	C354	043-0554-90	25V 10uF	C537	168-1052-78	16V 1uF K
C157	168-1022-55	1000pF K	C355	042-1736-90	16V 470uF M	C540	042-1760-90	16V 10uF M
C203	168-1042-78	16V 0.1uF K	C356	168-4722-55	4700pF K	C541	178-2742-78	0.27uF
C204	163-3363-25	10V 33uF	C357	163-1073-15	6.3V 100uF	C542	168-1052-78	16V 1uF K
C205	043-0570-90	16V 2.2uF K	C358	168-2222-55	2200pF K	C543	163-4763-35	16V 47uF
C206	043-0570-90	16V 2.2uF K	C359	043-0570-90	16V 2.2uF K	C544	163-2273-25	10V 220uF
C207	043-0570-90	16V 2.2uF K	C360	043-0570-90	16V 2.2uF K	C545	168-2212-55	220pF K
C208	043-0570-90	16V 2.2uF K	C361	166-2201-50	22pF CH	C546	166-2201-50	22pF CH
C219	168-3332-78	0.033uF K	C362	168-2222-55	2200pF K	C548	163-4763-35	16V 47uF
C220	168-3332-78	0.033uF K	C363	166-2201-50	22pF CH	C549	042-1465-00	16V 3300uF
C221	168-4722-55	4700pF K	C364	166-2201-50	22pF CH	C550	172-1041-15	0.1uF
C222	168-4722-55	4700pF K	C365	168-2222-55	2200pF K	C551	163-4763-35	16V 47uF
C224	168-1042-78	16V 0.1uF K	C366	166-2201-50	22pF CH	C552	163-4763-35	16V 47uF
C227	043-0552-90	6.3V 47uF M	C367	168-2222-55	2200pF K	C554	168-6822-55	6800pF K
C230	168-2242-58	0.22uF K	C368	166-2201-50	22pF CH	C555	168-6822-55	6800pF K
C231	168-3342-58	0.33uF K	C369	166-2201-50	22pF CH	C556	168-6822-55	6800pF K
C232	043-0554-90	25V 10uF	C370	043-0570-90	16V 2.2uF K	C557	168-6822-55	6800pF K
C238	163-1063-35	16V 10uF	C371	043-0570-90	16V 2.2uF K	C558	168-6822-55	6800pF K
C245	168-2222-55	2200pF K	C372	043-0570-90	16V 2.2uF K	C559	168-6822-55	6800pF K
C257	168-5622-55	5600pF K	C373	043-0570-90	16V 2.2uF K	C560	168-6822-55	6800pF K
C258	168-5622-55	5600pF K	C401	168-1042-78	16V 0.1uF K	C561	168-6822-55	6800pF K
C259	168-2222-55	2200pF K	C402	168-1042-78	16V 0.1uF K	C562	168-6822-55	6800pF K
C301	163-4753-65	50V 4.7uF	C403	166-2201-50	22pF CH	C563	043-0574-90	25V 1.0uF
C302	168-1042-78	16V 0.1uF K	C404	166-2201-50	22pF CH	C564	168-1042-78	16V 0.1uF K
C303	166-1811-50	180pF CH	C405	168-4722-55	4700pF K	C565	163-1063-35	16V 10uF
C304	168-1042-78	16V 0.1uF K	C406	168-2242-58	0.22uF K	C566	168-2232-55	0.022uF K
C305	168-1042-78	16V 0.1uF K	C408	166-1801-50	18pF CH	C567	042-4000-90	16V 470uF
C306	166-8097-50	8pF +/-0.5pF CH	C409	168-1042-78	16V 0.1uF K	C568	168-1522-55	1500pF K
C307	166-8097-50	8pF +/-0.5pF CH	C410	163-4763-15	6.3V 47uF	C569	166-2201-50	22pF CH
C308	168-1022-55	1000pF K	C411	168-1042-78	16V 0.1uF K	C570	178-2242-38	0.22uF B
C309	163-4753-65	50V 4.7uF	C412	168-1032-55	0.01uF K	C571	168-1542-58	0.15uF K
C310	168-1042-78	16V 0.1uF K	C414	168-2242-58	0.22uF K	C572	168-1542-58	0.15uF K
C311	163-4753-65	50V 4.7uF	C415	168-2242-58	0.22uF K	C573	168-1542-58	0.15uF K
C312	168-1042-78	16V 0.1uF K	C416	168-2242-58	0.22uF K	C574	168-1542-58	0.15uF K
C313	168-1022-55	1000pF K	C417	168-2242-58	0.22uF K	C576	168-1022-55	1000pF K
C314	168-1022-55	1000pF K	C418	168-2242-58	0.22uF K	CCT402	050-0140-54	1/32W 1k ohm x4J
C315	166-1011-50	100pF CH	C419	168-1022-55	1000pF K	CCT403	050-0145-52	1/16W 1k ohm x4
C316	168-1042-78	16V 0.1uF K	C420	168-4722-55	4700pF K	CCT404	050-0145-52	1/16W 1k ohm x4
C317	168-5622-55	5600pF K	C501	168-1042-78	16V 0.1uF K	D104	001-0580-90	1SS352
C318	168-5622-55	5600pF K	C502	168-1042-78	16V 0.1uF K	D106	001-0529-48	MA8091-H
C319	166-1011-50	100pF CH	C503	168-1042-78	16V 0.1uF K	D107	001-0580-90	1SS352
C320	166-1011-50	100pF CH	C504	168-1042-78	16V 0.1uF K	D108	001-9210-50	AVR-M1608C270M
C322	168-1022-55	1000pF K	C506	166-5611-50	560pF CH			TAAD
C323	168-1022-55	1000pF K	C507	166-5611-50	560pF CH	D109	001-9210-50	AVR-M1608C270M
C324	163-2273-05	4V 220uF	C509	166-5611-50	560pF CH			TAAD
C325	168-2222-55	2200pF K	C510	166-5611-50	560pF CH	D110	001-4320-50	EDZC6.8B
C326	166-4711-50	470pF CH	C511	166-2201-50	22pF CH	D116	001-4320-50	EDZC6.8B
C327	163-2263-35	16V 22uF	C512	166-2201-50	22pF CH	D117	001-4320-50	EDZC6.8B
C328	163-4763-15	6.3V 47uF	C513	166-2201-50	22pF CH	D208	001-0580-90	1SS352
C330	166-1011-50	100pF CH	C514	166-2201-50	22pF CH	D210	001-4313-53	HZU9B1L TRF-E
C331	168-1042-78	16V 0.1uF K	C515	168-1052-78	16V 1uF K	D231	001-9210-50	AVR-M1608C270M
C332	166-1011-50	100pF CH	C516	163-1073-35	16V 100uF			TAAD
C333	168-1022-55	1000pF K	C518	166-5611-50	560pF CH	D232	001-9210-50	AVR-M1608C270M
C334	168-1022-55	1000pF K	C519	166-5611-50	560pF CH			TAAD
C335	163-1063-35	16V 10uF	C520	168-3342-58	0.33uF K			

REF No.	PART No.	DESCRIPTION	REF No.	PART No.	DESCRIPTION	REF No.	PART No.	DESCRIPTION
D233	001-9210-50	AVR-M1608C270M TAAD	Q301	125-7007-90	SI5441BDC-TI-E3	R317	032-0140-50	1/10W 10k ohm F
D234	001-9210-50	AVR-M1608C270M TAAD	Q302	125-2027-91	DTC114EUA	R318	119-1041-15	1/10W 100k ohm
D401	001-2630-90	1SS420-TPL3,F	Q401	198-3018-00	2SK3018	R319	119-1041-15	1/10W 100k ohm
D501	001-2640-90	D1FJ4	Q402	198-3018-00	2SK3018	R320	119-1001-15	1/10W 10 ohm
D502	001-0529-48	MA8091-H	Q407	125-2027-91	DTC114EUA	R321	119-3921-15	1/10W 3.9k ohm
D504	001-0529-48	MA8091-H	Q408	198-3018-00	2SK3018	R322	119-0000-05	1/10W 0 ohm JW
D506	001-2015-00	RL253	Q409	125-2027-91	DTC114EUA	R323	119-1021-15	1/10W 1k ohm
D507	001-0580-90	1SS352	Q410	198-3018-00	2SK3018	R324	119-3921-15	1/10W 3.9k ohm
D508	001-0580-90	1SS352	Q411	125-2027-91	DTC114EUA	R325	119-0000-05	1/10W 0 ohm JW
D510	001-0529-48	MA8091-H	Q504	125-2027-91	DTC114EUA	R327	119-1031-15	1/10W 10k ohm
D511	001-4320-50	EDZC6.8B	Q505	191-1197-50	2SB1197K Q,R	R329	119-1031-15	1/10W 10k ohm
D512	001-0580-90	1SS352	Q506	192-5886-00	2SC5886	R331	119-1031-15	1/10W 10k ohm
D513	001-4320-50	EDZC6.8B	Q508	125-2027-91	DTC114EUA	R332	119-1031-15	1/10W 10k ohm
D514	001-4320-50	EDZC6.8B	Q511	192-5810-00	2SC5810 TE12L	R333	032-0140-50	1/10W 10k ohm F
D515	001-0529-34	MA8062-L	Q512	125-2027-91	DTC114EUA	R334	032-0140-50	1/10W 10k ohm F
D516	001-0580-90	1SS352	Q513	191-1197-50	2SB1197K Q,R	R335	119-1031-15	1/10W 10k ohm
D517	001-0529-47	MA8091-M	Q514	192-4116-51	2SC4116 G,L	R336	119-1031-15	1/10W 10k ohm
D536	001-2412-90	RR264M-400	Q515	191-1204-61	2SB1204 R,S,T	R337	119-1031-15	1/10W 10k ohm
D538	001-2412-90	RR264M-400	Q516	125-2027-91	DTC114EUA	R338	119-1031-15	1/10W 10k ohm
IC202	051-3552-90	NJU7741F15	Q517	191-1197-50	2SB1197K Q,R	R339	119-1011-15	1/10W 100 ohm
IC203	051-3518-90	NJM2846DL3-33-TE1	Q518	192-4081-00	2SC4081	R340	119-1011-15	1/10W 100 ohm
IC301	-----	SAF7730HV/N332	Q519	192-4116-00	2SC4116	R341	119-0000-05	1/10W 0 ohm JW
IC302	051-3034-90	NJM4558V	Q520	125-2027-91	DTC114EUA	R342	119-0000-05	1/10W 0 ohm JW
IC401	051-9426-90	S-24CS16A01-T8T1G	Q521	192-4116-51	2SC4116 G,L	R343	119-0000-05	1/10W 0 ohm JW
IC403	-----	M30876FJAGP (VIRGIN-TYP)	R109	119-0000-05	1/10W 0 ohm JW	R344	119-0000-05	1/10W 0 ohm JW
IC404	051-6607-08	PCA82C250T-T	R125	119-0000-05	1/10W 0 ohm JW	R345	119-0000-05	1/10W 0 ohm JW
IC405	051-5417-08	S-80927CNMC-B8M	R129	166-1511-50	150pF CH	R346	119-0000-05	1/10W 0 ohm JW
IC502	051-3019-90	NJM2060V	R135	119-1011-15	1/10W 100 ohm	R347	119-1031-15	1/10W 10k ohm
IC503	051-3551-90	NJM2878F3-33-TE1	R141	119-1011-15	1/10W 100 ohm	R348	119-0000-05	1/10W 0 ohm JW
IC504	051-3396-90	NJM2386ADL3-33-TE1	R143	119-1011-15	1/10W 100 ohm	R349	119-4731-15	1/10W 47k ohm
IC505	051-3517-90	LT3481EMSE#TRPB	R146	116-6891-15	1/4W 6.8 ohm	R350	119-0000-05	1/10W 0 ohm JW
IC506	051-2067-00	TB2946HQ	R150	119-3321-15	1/10W 3.3k ohm	R351	119-1021-15	1/10W 1k ohm
IC507	051-3034-90	NJM4558V	R154	119-3321-15	1/10W 3.3k ohm	R352	119-1021-15	1/10W 1k ohm
IC508	051-5441-08	BD4828G-TR	R155	119-3321-15	1/10W 3.3k ohm	R353	119-1021-15	1/10W 1k ohm
J101	074-1302-16	16P	R161	119-0000-05	1/10W 0 ohm JW	R354	119-1021-15	1/10W 1k ohm
J202	074-1189-88	38P	R162	119-3321-15	1/10W 3.3k ohm	R356	119-1001-15	1/10W 10 ohm
J204	074-1302-08	8P	R170	116-1091-15	1/4W 1 ohm	R357	032-0140-15	1/10W 6.8k ohm F
J502	074-4009-20	20P	R173	116-1221-15	1/4W 1.2k ohm	R358	032-0140-15	1/10W 6.8k ohm F
L105	010-2003-04	30uH	R174	116-3911-15	1/4W 390 ohm	R360	032-0140-15	1/10W 6.8k ohm F
L106	010-4011-20	2.5mH +/-3%	R176	119-1031-15	1/10W 10k ohm	R361	032-0140-15	1/10W 6.8k ohm F
L201	010-3104-54	600 ohm/100MHz	R180	119-0000-05	1/10W 0 ohm JW	R362	032-0140-50	1/10W 10k ohm F
L202	010-3104-54	600 ohm/100MHz	R201	032-0140-89	1/10W 47k ohm F	R363	032-0140-50	1/10W 10k ohm F
L301	010-3104-54	600 ohm/100MHz	R202	032-0140-89	1/10W 47k ohm F	R364	032-0140-50	1/10W 10k ohm F
L302	010-3104-54	600 ohm/100MHz	R203	032-0140-89	1/10W 47k ohm F	R365	032-0140-50	1/10W 10k ohm F
L303	010-3104-54	600 ohm/100MHz	R204	032-0140-89	1/10W 47k ohm F	R366	032-0140-50	1/10W 10k ohm F
L304	010-3104-54	600 ohm/100MHz	R205	119-3331-15	1/10W 33k ohm	R367	032-0140-50	1/10W 10k ohm F
L305	010-3104-54	600 ohm/100MHz	R206	119-3331-15	1/10W 33k ohm	R401	119-1021-15	1/10W 1k ohm
L306	010-3104-54	600 ohm/100MHz	R212	119-4731-15	1/10W 47k ohm	R402	119-1021-15	1/10W 1k ohm
L307	010-3104-54	600 ohm/100MHz	R214	119-4721-15	1/10W 4.7k ohm	R403	119-1021-15	1/10W 1k ohm
L308	010-3104-54	600 ohm/100MHz	R215	119-4721-15	1/10W 4.7k ohm	R404	119-0000-05	1/10W 0 ohm JW
L309	010-3104-54	600 ohm/100MHz	R222	119-3011-15	1/10W 300 ohm	R405	119-1021-15	1/10W 1k ohm
L310	010-3104-54	600 ohm/100MHz	R232	032-0140-89	1/10W 47k ohm F	R406	119-1021-15	1/10W 1k ohm
L311	010-3104-54	600 ohm/100MHz	R233	032-0140-89	1/10W 47k ohm F	R407	119-1021-15	1/10W 1k ohm
L312	010-3104-54	600 ohm/100MHz	R239	119-1031-15	1/10W 10k ohm	R408	119-1021-15	1/10W 1k ohm
L313	010-3104-54	600 ohm/100MHz	R240	119-6821-15	1/10W 6.8k ohm	R411	119-4721-15	1/10W 4.7k ohm
L401	010-3601-50	600 ohm/100MHz	R241	119-4731-15	1/10W 47k ohm	R412	119-4721-15	1/10W 4.7k ohm
L402	010-3406-54	2.2uH J	R247	116-3911-15	1/4W 390 ohm	R413	119-3311-15	1/10W 330 ohm
L501	010-3104-54	600 ohm/100MHz	R248	116-3911-15	1/4W 390 ohm	R414	119-3311-15	1/10W 330 ohm
L502	010-3414-92	2.2uH	R249	119-1041-15	1/10W 100k ohm	R415	119-4731-15	1/10W 47k ohm
L504	010-8048-00	240uH	R258	119-1021-15	1/10W 1k ohm	R416	119-4731-15	1/10W 47k ohm
P402	076-3011-76	26P	R259	119-1021-15	1/10W 1k ohm	R417	119-4731-15	1/10W 47k ohm
P403	076-6000-59	9P	R260	119-1021-15	1/10W 1k ohm	R422	119-0000-05	1/10W 0 ohm JW
Q105	198-3018-00	2SK3018	R301	119-1031-15	1/10W 10k ohm	R423	119-1011-15	1/10W 100 ohm
Q106	198-3018-00	2SK3018	R302	119-1031-15	1/10W 10k ohm	R424	119-1011-15	1/10W 100 ohm
Q107	192-5886-00	2SC5886	R303	119-2201-15	1/10W 22 ohm	R432	119-1011-15	1/10W 100 ohm
Q108	125-2027-90	DTC143EU	R308	119-1031-15	1/10W 10k ohm	R433	119-1011-15	1/10W 100 ohm
Q109	190-2060-00	2SA2060	R309	119-1011-15	1/10W 100 ohm	R434	119-1031-15	1/10W 10k ohm
Q210	125-0006-90	UNR2110	R310	119-1021-15	1/10W 1k ohm	R435	119-1031-15	1/10W 10k ohm
Q211	125-2027-91	DTC114EUA	R311	032-0140-50	1/10W 10k ohm F	R436	116-6201-15	1/4W 62 ohm
Q214	193-1259-50	2SD1259DS R,Q	R312	119-3921-15	1/10W 3.9k ohm	R437	119-4731-15	1/10W 47k ohm
			R313	032-0140-50	1/10W 10k ohm F	R438	116-6201-15	1/4W 62 ohm
			R314	119-3921-15	1/10W 3.9k ohm	R439	119-4731-15	1/10W 47k ohm
			R315	032-0140-50	1/10W 10k ohm F	R440	119-4731-15	1/10W 47k ohm
			R316	119-0000-05	1/10W 0 ohm JW	R441	119-1031-15	1/10W 10k ohm

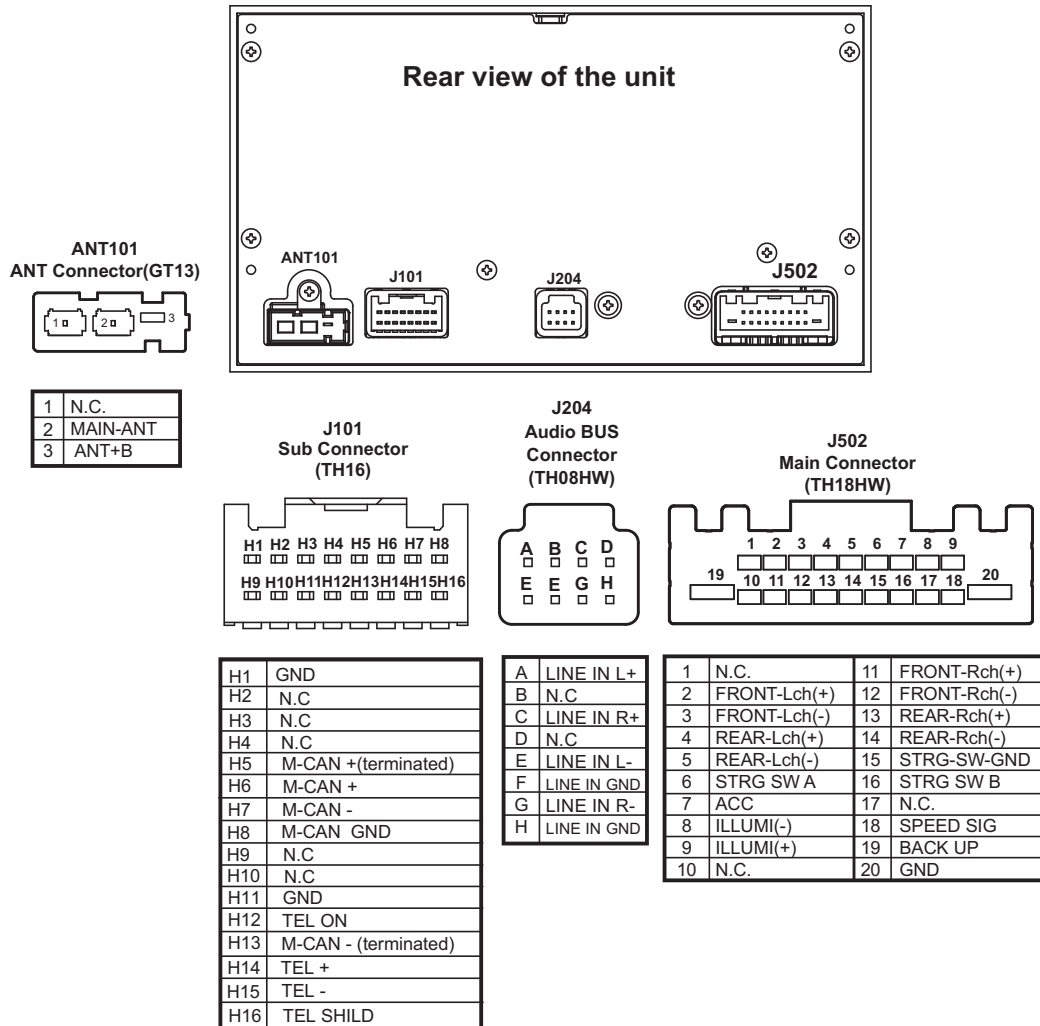
REF No.	PART No.	DESCRIPTION	REF No.	PART No.	DESCRIPTION	REF No.	PART No.	DESCRIPTION
R442	119-4721-15	1/10W 4.7k ohm	R497	119-4721-15	1/10W 4.7k ohm	R557	116-1221-15	1/4W 1.2k ohm
R443	116-6201-15	1/4W 62 ohm	R498	119-1041-15	1/10W 100k ohm	R558	119-1031-15	1/10W 10k ohm
R444	119-1021-15	1/10W 1k ohm	R499	119-1041-15	1/10W 100k ohm	R559	116-1221-15	1/4W 1.2k ohm
R445	119-4731-15	1/10W 47k ohm	R502	119-1031-15	1/10W 10k ohm	R560	119-1031-15	1/10W 10k ohm
R446	119-4731-15	1/10W 47k ohm	R503	119-1031-15	1/10W 10k ohm	R561	116-1221-15	1/4W 1.2k ohm
R447	119-1031-15	1/10W 10k ohm	R504	119-1031-15	1/10W 10k ohm	R562	116-1221-15	1/4W 1.2k ohm
R448	119-4731-15	1/10W 47k ohm	R505	119-1031-15	1/10W 10k ohm	R563	119-1031-15	1/10W 10k ohm
R449	119-4731-15	1/10W 47k ohm	R507	119-1031-15	1/10W 10k ohm	R564	119-4721-15	1/10W 4.7k ohm
R450	119-0000-05	1/10W 0 ohm JW	R508	119-1031-15	1/10W 10k ohm	R565	119-1521-15	1/10W 1.5k ohm
R451	119-3321-15	1/10W 3.3k ohm	R509	119-1031-15	1/10W 10k ohm	R566	119-1031-15	1/10W 10k ohm
R452	119-4731-15	1/10W 47k ohm	R510	119-1031-15	1/10W 10k ohm	R567	032-0148-50	1/10W 100k ohm D
R453	119-1031-15	1/10W 10k ohm	R511	119-1031-15	1/10W 10k ohm	R568	032-0140-16	1/10W 180k ohm F
R454	119-4731-15	1/10W 47k ohm	R512	119-1031-15	1/10W 10k ohm	R570	119-0000-05	1/10W 0 ohm JW
R455	119-3321-15	1/10W 3.3k ohm	R514	119-1051-15	1/10W 1M ohm	R571	119-0000-05	1/10W 0 ohm JW
R456	119-1021-15	1/10W 1k ohm	R515	119-1051-15	1/10W 1M ohm	R572	032-0208-51	1/4W 15k ohm
R457	119-3321-15	1/10W 3.3k ohm	R516	119-1051-15	1/10W 1M ohm	R573	119-2221-15	1/10W 2.2k ohm
R458	119-1021-15	1/10W 1k ohm	R517	119-1051-15	1/10W 1M ohm	R575	116-1531-15	1/4W 15k ohm
R459	119-4731-15	1/10W 47k ohm	R518	119-1031-15	1/10W 10k ohm	R576	119-0000-05	1/10W 0 ohm JW
R460	119-4731-15	1/10W 47k ohm	R519	119-1031-15	1/10W 10k ohm	R577	119-1031-15	1/10W 10k ohm
R461	119-0000-05	1/10W 0 ohm JW	R520	119-1031-15	1/10W 10k ohm	R578	168-6812-55	680pF K
R463	119-4731-15	1/10W 47k ohm	R521	119-1031-15	1/10W 10k ohm	R579	119-1031-15	1/10W 10k ohm
R464	119-3321-15	1/10W 3.3k ohm	R522	119-1031-15	1/10W 10k ohm	R580	119-5611-15	1/10W 560 ohm
R466	119-4731-15	1/10W 47k ohm	R523	119-1031-15	1/10W 10k ohm	R581	116-4791-15	1/4W 4.7 ohm
R468	119-4791-15	1/10W 4.7 ohm	R524	119-4731-15	1/10W 47k ohm	R582	116-4791-15	1/4W 4.7 ohm
R469	119-1011-15	1/10W 100 ohm	R525	119-0000-05	1/10W 0 ohm JW	R583	119-2231-15	1/10W 22k ohm
R471	116-6201-15	1/4W 62 ohm	R527	032-0148-63	1/10W 130k ohm D	R584	119-3321-15	1/10W 3.3k ohm
R472	119-1011-15	1/10W 100 ohm	R528	032-0148-64	1/10W 390k ohm D	R588	119-3341-15	1/10W 330k ohm
R474	119-4731-15	1/10W 47k ohm	R530	119-1031-15	1/10W 10k ohm	R592	119-1021-15	1/10W 1k ohm
R475	119-1011-15	1/10W 100 ohm	R532	119-1031-15	1/10W 10k ohm	R593	119-1021-15	1/10W 1k ohm
R476	119-1011-15	1/10W 100 ohm	R533	119-1841-15	1/10W 180k ohm	R4001	119-1021-15	1/10W 1k ohm
R477	119-4721-15	1/10W 4.7k ohm	R534	119-1031-15	1/10W 10k ohm	R4004	119-1021-15	1/10W 1k ohm
R478	119-4721-15	1/10W 4.7k ohm	R535	116-6811-15	1/4W 680 ohm	R4005	119-1021-15	1/10W 1k ohm
R481	119-2231-15	1/10W 22k ohm	R536	119-1031-15	1/10W 10k ohm	SUP102	060-0122-91	DSP-141N-S00B
R484	119-4731-15	1/10W 47k ohm	R537	032-0140-51	1/10W 15k ohm F	TC401	004-1580-10	30pF GRN
R485	119-4731-15	1/10W 47k ohm	R544	119-4731-15	1/10W 47k ohm	TH101	002-0229-00	PTH8L05BAIR8M1B
R486	119-1041-15	1/10W 100k ohm	R545	119-4731-15	1/10W 47k ohm	TM101	073-0762-90	TERMINAL
R487	119-1041-15	1/10W 100k ohm	R546	116-4721-15	1/4W 4.7k ohm	TM502	073-0762-90	TERMINAL
R492	119-4731-15	1/10W 47k ohm	R547	119-4721-15	1/10W 4.7k ohm	X301	061-3537-90	41.6MHz
R493	119-4721-15	1/10W 4.7k ohm	R548	119-4721-15	1/10W 4.7k ohm	X401	061-3567-90	8.000MHz AT-41CD2
R494	119-4721-15	1/10W 4.7k ohm	R549	119-3331-15	1/10W 33k ohm	PWB	039-3392-00	PWB(WITHOUT COMPONENT)
R495	119-4731-15	1/10W 47k ohm	R555	116-3911-15	1/4W 390 ohm			
R496	119-4721-15	1/10W 4.7k ohm	R556	119-1521-15	1/10W 1.5k ohm			

Switch PWB(B2) section

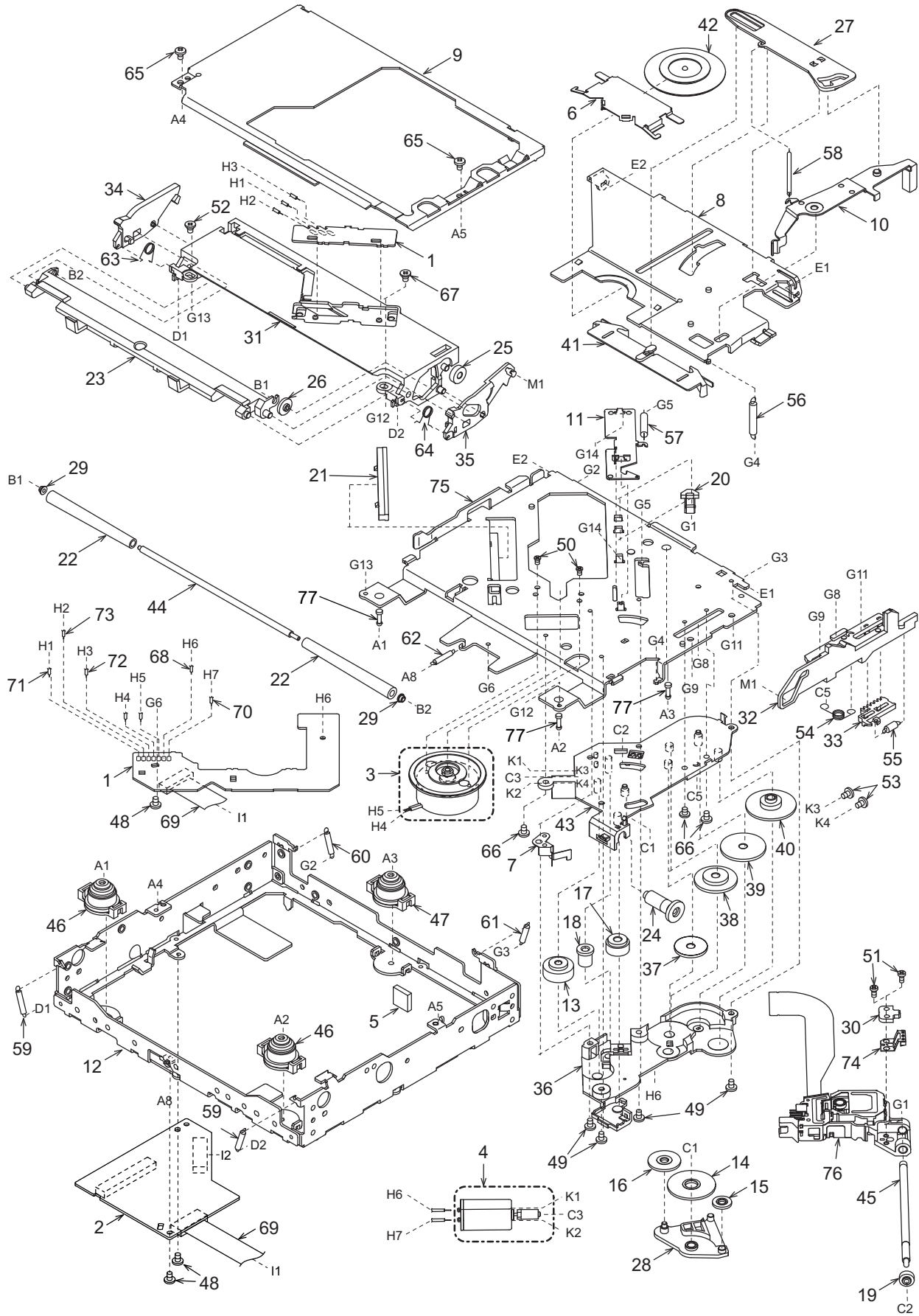
REF No.	PART No.	DESCRIPTION	REF No.	PART No.	DESCRIPTION	REF No.	PART No.	DESCRIPTION
C601	043-0554-90	25V 10uF	D619	001-7109-90	SML-311DTT86 ORG	D666	001-9210-50	AVR-M1608C270M TAAD
C602	043-0554-90	25V 10uF	D620	001-7109-90	SML-311DTT86 ORG			
C603	168-1042-78	16V 0.1uF K	D621	001-7109-90	SML-311DTT86 ORG	D667	001-9210-50	AVR-M1608C270M TAAD
C604	043-0554-90	25V 10uF	D624	001-7109-90	SML-311DTT86 ORG			
C605	168-1042-78	16V 0.1uF K	D625	001-7109-90	SML-311DTT86 ORG	D668	001-9210-50	AVR-M1608C270M TAAD
D601	001-9210-50	AVR-M1608C270M TAAD	D628	001-7109-90	SML-311DTT86 ORG			
			D629	001-7109-90	SML-311DTT86 ORG	D669	001-9210-50	AVR-M1608C270M TAAD
D602	001-9210-50	AVR-M1608C270M TAAD	D632	001-7109-90	SML-311DTT86 ORG			
			D635	001-7109-90	SML-311DTT86 ORG	D670	001-7132-90	NUA1106W-TR
D603	001-9210-50	AVR-M1608C270M TAAD	D636	001-7109-90	SML-311DTT86 ORG	D671	001-7132-90	NUA1106W-TR
			D639	001-7109-90	SML-311DTT86 ORG	D672	001-7132-90	NUA1106W-TR
D604	001-4320-50	EDZC6.8B	D640	001-7109-90	SML-311DTT86 ORG	D673	001-7132-90	NUA1106W-TR
D605	001-7109-90	SML-311DTT86 ORG	D643	001-7109-90	SML-311DTT86 ORG	D674	001-7132-90	NUA1106W-TR
D606	001-7109-90	SML-311DTT86 ORG	D644	001-7109-90	SML-311DTT86 ORG	D675	001-7132-90	NUA1106W-TR
D607	001-7109-90	SML-311DTT86 ORG	D645	001-7109-90	SML-311DTT86 ORG	D676	001-7132-90	NUA1106W-TR
D610	001-7109-90	SML-311DTT86 ORG	D656	001-7109-90	SML-311DTT86 ORG	D677	001-7132-90	NUA1106W-TR
D611	001-7109-90	SML-311DTT86 ORG	D662	001-9210-50	AVR-M1608C270M TAAD	D678	001-7132-90	NUA1106W-TR
D612	001-7109-90	SML-311DTT86 ORG				D679	001-7132-90	NUA1106W-TR
D613	001-7109-90	SML-311DTT86 ORG	D663	001-9210-50	AVR-M1608C270M TAAD	IC601	051-6057-00	ML9090A-01GA
D614	001-7109-90	SML-311DTT86 ORG				J601	074-3033-26	26P
D615	001-7109-90	SML-311DTT86 ORG	D664	001-9210-50	AVR-M1608C270M TAAD	J602	075-0395-01	JACK
D616	001-7109-90	SML-311DTT86 ORG				LCD601	379-1434-53	INDICATOR (LCD)
D617	001-7109-90	SML-311DTT86 ORG	D665	001-9210-50	AVR-M1608C270M TAAD	Q601	190-1162-00	2SA1162
D618	001-7109-90	SML-311DTT86 ORG				Q602	192-2712-51	2SC2712 G,L

REF No.	PART No.	DESCRIPTION	REF No.	PART No.	DESCRIPTION	REF No.	PART No.	DESCRIPTION
R601	032-0140-00	1/10W 56k ohm F	R626	116-1821-15	1/4W 1.8k ohm	R653	116-5611-15	1/4W 560 ohm
R602	119-4731-15	1/10W 47k ohm	R627	116-2221-15	1/4W 2.2k ohm	R654	116-5611-15	1/4W 560 ohm
R604	032-0140-53	1/10W 2.2k ohm F	R628	116-2721-15	1/4W 2.7k ohm	R655	116-5611-15	1/4W 560 ohm
R605	032-0140-53	1/10W 2.2k ohm F	R629	116-2221-15	1/4W 2.2k ohm	R656	116-5611-15	1/4W 560 ohm
R606	116-1821-15	1/4W 1.8k ohm	R630	116-2221-15	1/4W 2.2k ohm	R657	116-5611-15	1/4W 560 ohm
R607	119-4731-15	1/10W 47k ohm	R631	116-2221-15	1/4W 2.2k ohm	R658	116-5611-15	1/4W 560 ohm
R608	116-2221-15	1/4W 2.2k ohm	R632	116-2221-15	1/4W 2.2k ohm	R659	116-5611-15	1/4W 560 ohm
R609	116-2721-15	1/4W 2.7k ohm	R633	116-2221-15	1/4W 2.2k ohm	S601	016-7004-00	ROTARY SWITCH
R611	116-2221-15	1/4W 2.2k ohm	R634	116-2221-15	1/4W 2.2k ohm	S602	013-6201-53	SKPMAPE010
R612	116-2221-15	1/4W 2.2k ohm	R635	119-0000-05	1/10W 0 ohm JW	S603	013-6202-52	SKPMBJE010
R613	116-2221-15	1/4W 2.2k ohm	R636	116-2221-15	1/4W 2.2k ohm	S604	013-6202-52	SKPMBJE010
R614	116-2221-15	1/4W 2.2k ohm	R637	119-0000-05	1/10W 0 ohm JW	S605	013-6202-52	SKPMBJE010
R616	116-2221-15	1/4W 2.2k ohm	R639	116-1821-15	1/4W 1.8k ohm	S606	013-6202-52	SKPMBJE010
R618	116-2221-15	1/4W 2.2k ohm	R640	119-2221-15	1/10W 2.2k ohm	TM601	073-0778-90	TERMINAL
R620	116-2221-15	1/4W 2.2k ohm	R650	116-5611-15	1/4W 560 ohm	PWB	039-3527-00	PWB(WITHOUT COMPONENT)
R622	116-1821-15	1/4W 1.8k ohm	R651	116-5611-15	1/4W 560 ohm			
R624	116-1821-15	1/4W 1.8k ohm	R652	116-5611-15	1/4W 560 ohm			

CONNECTION



EXPLODED VIEW/PARTS LIST



NO.	PART NO.	DESCRIPTION	Q'TY	NO.	PART NO.	DESCRIPTION	Q'TY
1	-----	SENSOR PWB	1	40	621-1751-20	POWER GEAR D	1
2	-----	CD PWB	1	41	621-1752-20	DISC STOPPER	1
3	SMA-182-100	SPINDLE MOTOR-ASSY	1	42	621-1753-20	CLAMPER RING	1
4	SMA-183-100	SLED MOTOR-ASSY	1	43	621-1754-20	GEAR BASE	1
5	345-5476-20	CUSHION RUBBER	1	44	622-1571-21	ROLLER SHAFT	1
6	620-1023-23	CLAMPER PLATE	1	45	624-0018-01	LEAD SCREW	1
7	620-1026-21	SPRING PLATE	1	46	629-0086-20	DAMPER F	2
8	620-1596-23	CLAMPER LINK	1	47	629-0087-20	DAMPER R	1
9	620-1862-20	UPPER CHASSIS	1	48	716-1507-01	SCREW(M2x3)	3
10	620-1752-20	SENSOR ARM	1	49	716-1670-01	SCREW(M2x4)	4
11	620-1753-20	ID-LOCK PLATE	1	50	716-1733-01	SCREW(M1.7x2.3)	2
12	620-1868-20	LOWER CHASSIS	1	51	716-3469-01	SCREW(1.7x4)	2
13	621-0608-21	SECOND GEAR	1	52	716-3473-01	SCREW(M2x3)	1
14	621-0609-20	BASE GEAR	1	53	716-3551-00	SCREW(M1.4x2.5)	2
15	621-0610-20	IDLE GEAR A	1	54	750-7865-20	SHIFT SPRING	1
16	621-0611-20	IDLE GEAR B	1	55	750-7866-20	RACK SPRING	1
17	621-0612-21	ROLLER GEAR A	1	56	750-7867-20	CLAMPER SPRING	1
18	621-0620-20	THREAD GEAR A	1	57	750-7868-20	ID-LOCK SPRING	1
19	621-0621-20	THREAD GEAR B	1	58	750-7869-20	SENSOR SPRING	1
20	621-0623-23	LS-HOLDER	1	59	750-7870-20	DR-SPRING F	2
21	621-0624-22	GUIDE RAIL	1	60	750-7871-20	DR-SPRING RA	1
22	621-0711-21	LOADING ROLLER	2	61	750-7872-20	DR-SPRING RB	1
23	621-0718-21	ROLLER GUIDE	1	62	750-7873-20	DR-SPRING C	1
24	621-0719-20	ROLLER GEAR B	1	63	750-6797-20	ROLLER SPRING L	1
25	621-0720-20	ROLLER GEAR C	1	64	750-6798-20	ROLLER SPRING R	1
26	621-0721-20	ROLLER GEAR D	1	65	714-2003-8B	SCREW(M2x3)	2
27	621-0728-20	STOPPER LINK	1	66	780-2025-00	SCREW(M2x2.5)	3
28	621-1719-20	IDLE CASE	1	67	781-1730-00	SCREW(M1.7x3)	1
29	621-1726-20	ROLLER SLEEVE	2	68	803-4906-60	VINYL-COAT-WIRE(ORG)	1
30	621-1729-20	SH-BASE	1	69	816-2542-01	FLAT WIRE	1
31	621-1742-20	UPPER GUIDE	1	70	816-2590-00	VINYL-COAT-WIRE(GRN)	1
32	621-1743-20	SHIFT LEVER	1	71	816-2591-00	VINYL-COAT-WIRE(YEL)	1
33	621-1744-20	RACK	1	72	816-2592-00	VINYL-COAT-WIRE(BLUE)	1
34	621-1745-20	LOCK ARM L	1	73	816-2593-00	VINYL-COAT-WIRE(PUR)	1
35	621-1746-20	LOCK ARM R	1	74	966-1722-20	SH-RACK-ASSY	1
36	621-1747-20	GEAR COVER	1	75	620-1866-20	DRIVE-PLATE	1
37	621-1748-20	POWER GEAR A	1	76	969-0075-30	PICKUP-ASSY	1
38	621-1749-20	POWER GEAR B	1	77	622-1570-21	DAMPER PIN	3
39	621-1750-20	POWER GEAR C	1				

ELECTRICAL PARTS LIST

CD PWB(BM1) section

REF No.	PART No.	DESCRIPTION	REF No.	PART No.	DESCRIPTION	REF No.	PART No.	DESCRIPTION
C2	178-1052-78	1uF	C60	168-1042-78	16V 0.1uF	R19	119-0000-05	1/10W 0 ohm JW
C3	042-0627-90	16V 100uF	C63	168-1042-78	16V 0.1uF	R20	119-0000-05	1/10 0ohm JW
C4	168-1042-78	16V 0.1uF	C68	168-1042-78	16V 0.1uF	R22	119-2231-15	1/10W 22k ohm
C6	178-1052-78	1uF	C69	042-1710-90	6.3V 100uF	R23	119-0000-05	1/10 0ohm JW
C7	042-0560-85	6.3V 100uF	C74	042-1709-90	6.3V 47uF	R25	119-1041-15	1/10W 100k ohm
C8	178-1052-78	1uF	C75	168-1042-78	16V 0.1uF	R26	119-0000-05	1/10W 0 ohm JW
C9	166-4711-50	470pF CH	C77	168-1042-78	16V 0.1uF	R27	119-4731-15	1/10W 47k ohm
C10	168-4732-78	0.047uF K	C78	168-1022-55	1000pF K	R29	119-5621-15	1/10W 5.6k ohm
C11	166-4711-50	470pF CH	C79	168-1022-55	1000pF K	R30	119-2231-15	1/10W 22k ohm
C12	168-4732-78	0.047uF K	C80	042-0423-20	10V-10uF	R31	119-4731-15	1/10W 47k ohm
C14	168-1042-78	16V 0.1uF	D1	001-1305-90	DAN217UT106	R32	119-3341-15	1/10W 330k ohm
C15	166-1007-50	10pF CH	IC1	051-6733-30	TC94A73MFG-201	R33	119-1041-15	1/10W 100k ohm
C16	166-1007-50	10pF CH	IC2	051-6079-80	BA5830FM-E2	R34	119-1041-15	1/10W 100k ohm
C17	168-1042-78	16V 0.1uF	IC3	051-3395-90	NJU7780U1-15-TES	R35	119-1041-15	1/10W 100k ohm
C18	168-2222-55	2200pF K	J1	074-1138-65	SOCKET (15P)	R36	119-1011-15	1/10W 100 ohm
C19	168-1042-78	16V 0.1uF	J2	074-1138-60	SOCKET (10P)	R38	119-1041-15	1/10W 100k ohm
C20	168-1042-78	16V 0.1uF	J3	074-1205-88	SOCKET (38P)	R39	119-0000-05	1/10W 0 ohm JW
C22	168-6822-55	6800pF K	L1	119-0000-05	1/10 0ohm JW	R41	119-4721-15	1/10W 4.7k ohm
C24	168-3332-78	0.033uF K	L2	119-0000-05	1/10 0ohm JW	R42	119-4721-15	1/10W 4.7k ohm
C25	168-3332-78	0.033uF K	L3	119-0000-05	1/10 0ohm JW	R45	119-1031-15	1/10W 10k ohm
C26	043-0570-90	16V 2.2uF K	L4	010-3104-50	30ohm/100MHZ	R46	119-4731-15	1/10W 47k ohm
C28	168-1042-78	16V 0.1uF	L5	010-3406-26	0.01uH	R47	119-4731-15	1/10W 47k ohm
C29	168-1042-78	16V 0.1uF	Q1	131-1188-50	2SB1188 Q,R	R48	119-1031-15	1/10W 10k ohm
C30	168-1042-78	16V 0.1uF	Q2	198-3018-00	2SK3018	R49	119-1031-15	1/10W 10k ohm
C31	168-1042-78	16V 0.1uF	Q3	198-3018-00	2SK3018	R50	119-2211-15	1/10W 220 ohm
C33	168-1042-78	16V 0.1uF	Q4	192-4155-51	2SC4155A S,T	R51	119-1031-15	1/10W 10k ohm
C34	168-1042-78	16V 0.1uF	Q5	198-3018-00	2SK3018	R52	119-1031-15	1/10W 10k ohm
C35	168-5622-55	5600pF K	Q6	192-4155-51	2SC4155A S,T	R53	119-2211-15	1/10W 220 ohm
C36	168-1042-78	16V 0.1uF	Q7	198-3018-00	2SK3018	R54	119-3331-15	1/10W 33k ohm
C37	168-5622-55	5600pF K	Q8	198-3018-00	2SK3018	R55	119-4721-15	1/10W 4.7k ohm
C38	166-6801-50	68pF	R1	119-2211-15	1/10W 220 ohm	R56	119-3331-15	1/10W 33k ohm
C39	168-1042-78	16V 0.1uF	R2	117-6811-15	1/8W 680 ohm	R57	119-4721-15	1/10W 4.7k ohm
C40	168-1532-55	0.015uF K	R3	117-0000-05	1/8W 0 ohm JW	R58	119-3331-15	1/10W 33k ohm
C41	168-1042-78	16V 0.1uF	R4	119-1001-15	1/10W 10 ohm	R59	119-4721-15	1/10W 4.7k ohm
C42	168-1032-55	0.01uF K	R5	119-2731-15	1/10W 27k ohm	R60	119-3331-15	1/10W 33k ohm
C43	168-1042-78	16V 0.1uF	R6	119-2731-15	1/10W 27k ohm	R61	119-4721-15	1/10W 4.7k ohm
C44	168-1042-78	16V 0.1uF	R7	119-2221-15	1/10W 2.2k ohm	R62	119-3331-15	1/10W 33k ohm
C46	168-1522-55	1500pF K	R8	119-2731-15	1/10W 27k ohm	R63	119-4721-15	1/10W 4.7k ohm
C47	168-3322-55	3300pF K	R9	119-2731-15	1/10W 27k ohm	R64	119-1051-15	1/10W 1M ohm
C48	168-1032-55	0.01uF K	R10	119-1051-15	1/10W 1M ohm	R65	119-4701-15	1/10W 47 ohm
C49	168-1042-78	16V 0.1uF	R11	119-2211-15	1/10W 220 ohm	R66	119-1051-15	1/10W 1M ohm
C54	168-1532-55	0.015uF K	R13	119-8231-15	1/10W 82k ohm	R67	119-0000-05	1/10W 0 ohm JW
C55	168-1042-78	16V 0.1uF	R14	119-1531-15	1/10W 15k ohm	TM1	073-0768-90	TERMINAL
C56	168-1042-78	16V 0.1uF	R15	119-8231-15	1/10W 82k ohm	X1	061-3534-90	16.92MHz
C58	166-6097-50	6pF CH	R16	119-4731-15	1/10W 47k ohm	PWB	039-3205-01	PWB(WITHOUT COMPONENTS)
C59	166-4701-50	47pF CH	R17	119-0000-05	1/10 0ohm JW			

SENSOR PWB(BM2) section

REF No.	PART No.	DESCRIPTION	REF No.	PART No.	DESCRIPTION	REF No.	PART No.	DESCRIPTION
D1	001-7058-90	AN1105W-RR	Q1	060-4015-91	PS1192HB-32-TR	S2	013-7413-50	LIMIT
D2	001-7058-90	AN1105W-RR	Q2	060-4015-91	PS1192HB-32-TR	PWB	039-1944-21	PWB(WITHOUT COMPONENTS)
J1	074-1138-60	10P	S1	013-7414-50	CHUCKING			

BLOCK DIAGRAM

