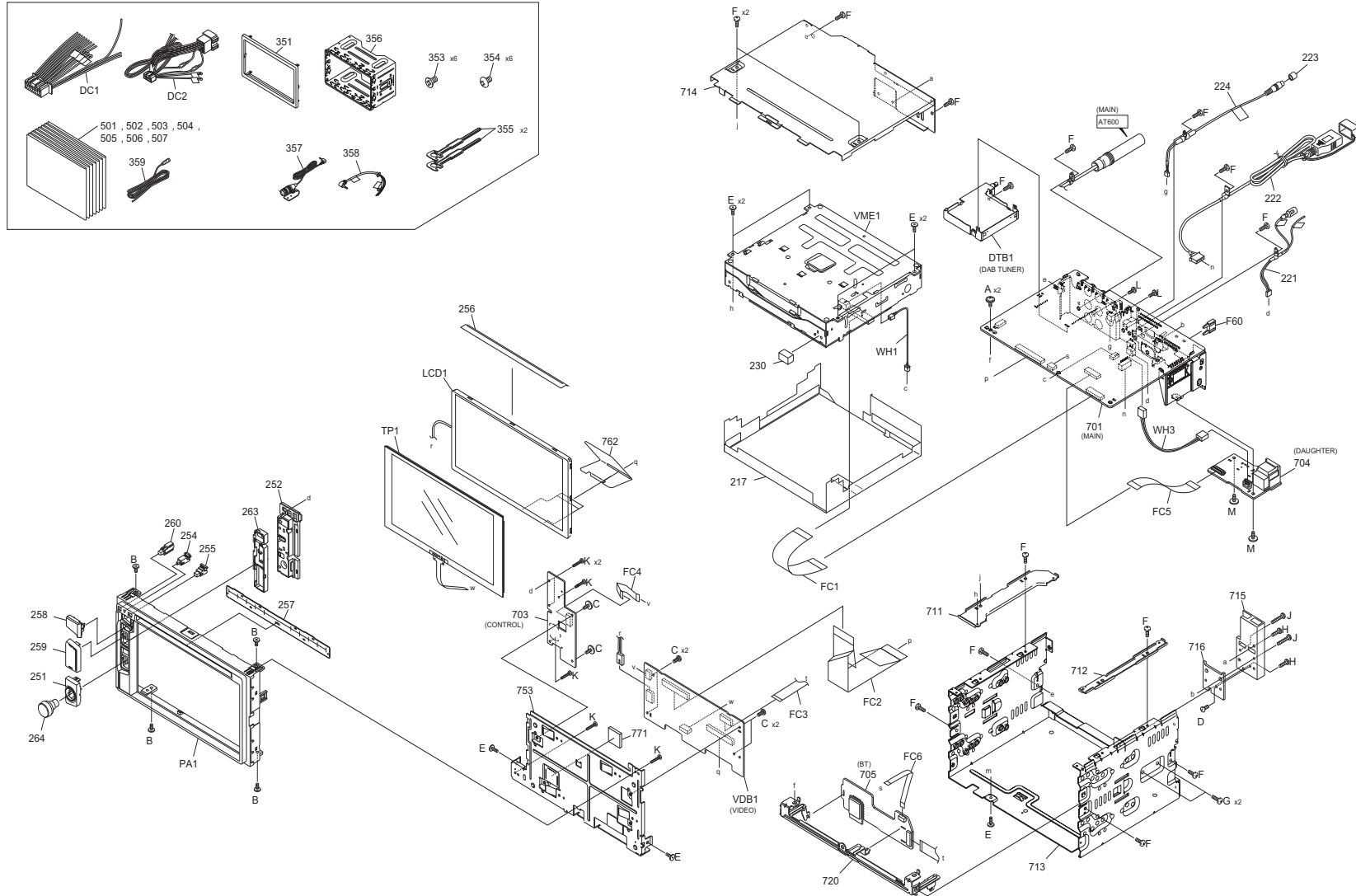


EXPLODED VIEW (UNIT)

Block No.M1MM



MODEL	MARK	MODEL	MARK	MODEL	MARK	MODEL	MARK
DDX375BT	K0	DDX395	K1	DDX4018BT	E1	DDX4018BT	X1
DDX4018DAB	E2						

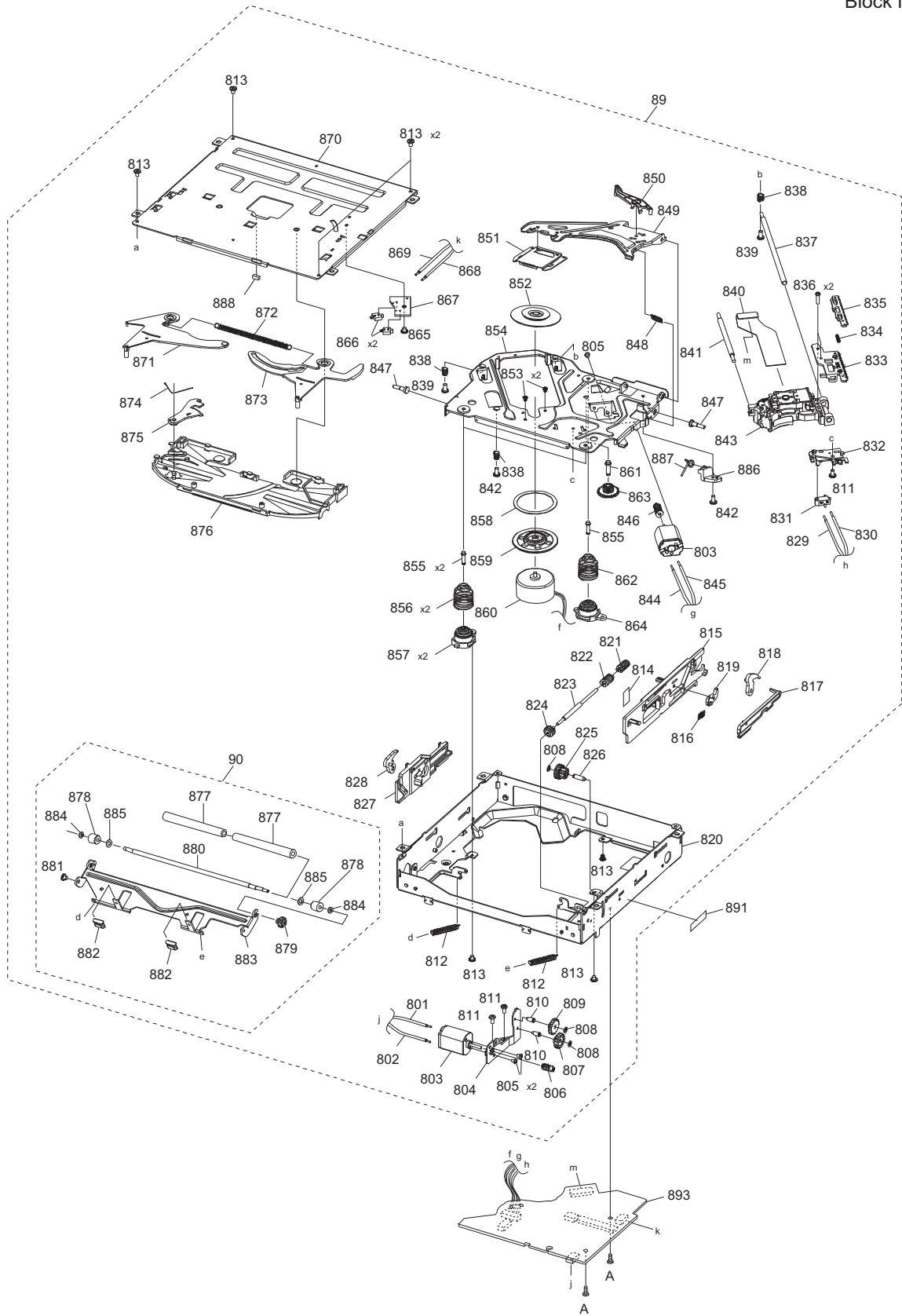
Safe	Symbol No.	Parts No.	Parts Name	Description	QTY	Local
EXPLODED VIEW (UNIT) <M1MM>						
	DC1	E3A-0340-00	DC CORD		1	K0,K1,X1
	DC2	E3A-0341-00	DC CORD		1	E1,E2
	DTB1	XJH-0022-70	DAB TUNER PWB ASSY	XJM-0132-72	1	E2
	VDB1	CB-XJ8047K00N	VIDEO PWB ASSY	XJ8-047K-00	1	K0,E1,X1,E2
	VDB1	CB-XJ8047K01N	VIDEO PWB ASSY	XJ8-047K-01	1	K1
△	F60	FZB10BT-100	BLADE FUSE		1	
	FC1	E3F-0147-00	FLAT CABLE		1	
	FC2	E3G-0046-00	FFC WIRE		1	
	FC3	E3G-0044-00	FFC WIRE		1	
	FC4	E3F-0105-00	FLAT CABLE		1	
	FC5	E3F-0104-00	FLAT CABLE		1	K0,K1
	FC5	EF0AA052208BC	FFC WIRE		1	E1,X1,E2
	FC6	EF0AA0508X6AC	FFC WIRE		1	
	LCD1	B3H-0014-10	LCD		1	
	PA1	A6C-0050-0K	PANEL		1	K0
	PA1	A6C-0050-0J	PANEL		1	K1
	PA1	A6C-0050-0M	PANEL		1	E1,X1
	PA1	A6C-0050-0L	PANEL		1	E2
	TP1	W0C-0197-00	TOUCH PANEL		1	
	VME1	XJJ-014W-01	MECHANISM ASSY		1	
	WH1	E3K-0327-00	WIRING HARNESS		1	
	WH3	WJJ1273-001A-E	E-SI C WIRE C-C		1	K0,K1
	A	GE40377-002A	SPECIAL SCREW		2	
	B	LV44159-005A	MINI SCREW		4	
	C	LV44615-003A	SPECIAL SCREW		6	
	D	QYSDSP2610ZA	SCREW	M2.6 x 10mm	1	
	E	QYSDST2006ZA	TAP SCREW	M2 x 6mm	7	
	F	QYSDST2606ZA	TAP SCREW	M2.6 x 6mm	12	K0,K1,E1
	F	QYSDST2606ZA	TAP SCREW	M2.6 x 6mm	13	X1
	F	QYSDST2606ZA	TAP SCREW	M2.6 x 6mm	14	E2
	G	QYSDST2610ZA	TAP SCREW	M2.6 x 10mm	2	
	H	QYSDST2614ZA	TAP SCREW	M2.6 x 14mm	2	
	J	QYSDST2620ZA	TAP SCREW	M2.6 x 20mm	2	
	K	VKZ4777-015	MINI SCREW		6	
	L	QYSDSF2608ZA	TAP SCREW	M2.6 x 8mm	2	
	M	GE40377-002A	SPECIAL SCREW		2	
	217	F0G-0134-00	SHIELDING COVER		1	
	221	E3A-0045-01	CORD W.CON.		1	
	222	E3A-0173-01	USB CORD		1	
	223	F2K-0012-00	INS.COVER		1	X1
	224	E3A-0377-00	CORD W.CON.		1	X1
	230	G1D-0034-00	CONDUCT CUSHION		1	
	251	A2B-0008-0B	DRESSING PANEL		1	K0
	251	A2B-0008-14	DRESSING PANEL		1	K1,E1,X1,E2
	252	B1K-0027-10	LIGHTING B ASSY		1	
	254	K2A-0001-00	KNOB		1	
	255	K2A-0002-00	KNOB		1	
	256	F0K-0044-10	SHEET		1	
	257	F1K-0005-00	BLIND PLATE		1	
	258	K2A-0003-02	KNOB		1	
	259	K2K-0140-0P	KNOB ASSY		1	K0
	259	K2K-0140-0Q	KNOB ASSY		1	K1,X1
	259	K2K-0140-0D	KNOB ASSY		1	E1,E2
	260	W1A-0003-00	LENS		1	
	263	K2K-0112-11	KNOB BASE		1	
	264	K2K-0120-10	KNOB ASSY		1	
	351	B9H-0001-00	ESCUTCHEON		1	K1,E1,X1,E2
	353	QYSSSP5008ZA	SCREW	M5 x 8mm	6	K0,K1,X1
	354	QYSTSP5008ZA	SCREW	M5 x 8mm	6	K0,K1,X1
	355	D1A-0007-00	LEVER		2	K1,E1,E2
	356	J2C-0006-00	MOUNTING ASSY		1	K1,E1,E2
	357	QAN0126-001	MICROPHONE		1	
	358	QAM1419-001	CAR CABLE		1	X1
	359	E3A-0344-00	CORD		1	
	501	B5A-2142-00	INST.MANUAL	ENG	1	K0,K1
	501	B5A-2143-00	INST.MANUAL	ENG	1	E1,E2
	501	B5A-2144-00	INST.MANUAL	ENG	1	X1
	502	B5A-2142-02	INST.MANUAL	SPA	1	K0,K1
	502	B5A-2143-01	INST.MANUAL	FRE	1	E1,E2
	503	B5A-2142-01	INST.MANUAL	FRE	1	K0,K1
	503	B5A-2143-02	INST.MANUAL	SPA	1	E1,E2
	504	B5A-2143-03	INST.MANUAL	POR(EUROPE)	1	E1,E2
	505	B5A-2143-04	INST.MANUAL	GER	1	E1,E2
	506	B5A-2143-05	INST.MANUAL	DUT	1	E1,E2
	507	B5A-2143-06	INST.MANUAL	ITA	1	E1,E2
	701	-----	MAIN PWB ASSY	NO SERVICE PART	1	K0
	701	-----	MAIN PWB ASSY	NO SERVICE PART	1	K1
	701	-----	MAIN PWB ASSY	NO SERVICE PART	1	E1
	701	-----	MAIN PWB ASSY	NO SERVICE PART	1	X1
	701	-----	MAIN PWB ASSY	NO SERVICE PART	1	E2
	703	-----	CONTROL PWB ASSY	NO SERVICE PART	1	
	704	-----	DAUGHTER PWB ASSY	NO SERVICE PART	1	K0,K1
	704	-----	DAUGHTER PWB ASSY	NO SERVICE PART	1	E1,X1,E2
	705	-----	BT PWB ASSY	NO SERVICE PART	1	
	711	-----	BRACKET	NO SERVICE PART	1	
	712	-----	BRACKET	NO SERVICE PART	1	
	713	-----	CHASSIS	NO SERVICE PART	1	
	714	-----	TOP PLATE	NO SERVICE PART	1	
	715	-----	HEAT SINK	NO SERVICE PART	1	
	716	-----	HEAT SINK	NO SERVICE PART	1	

MODEL	MARK	MODEL	MARK	MODEL	MARK	MODEL	MARK
DDX375BT	K0	DDX395	K1	DDX4018BT	E1	DDX4018BT	X1
DDX4018DAB	E2						

Safe	Symbol No.	Parts No.	Parts Name	Description	QTY	Local
	720	-----	STAY	NO SERVICE PART	1	
	753	-----	BRACKET ASSY	NO SERVICE PART	1	
	762	-----	SHEET	NO SERVICE PART	1	
	771	-----	COOL SHEET	NO SERVICE PART	1	

EXPLODED VIEW (DVD MECHANISM: XJJ-014W-01)

Block No.MJMM



Parts with the exploded numbers larger than 800 are not supplied.

MODEL	MARK	MODEL	MARK	MODEL	MARK	MODEL	MARK
DDX375BT	K0	DDX395	K1	DDX4018BT	E1	DDX4018BT	X1
DDX4018DAB	E2						

Safe	Symbol No.	Parts No.	Parts Name	Description	QTY	Local
EXPLODED VIEW (DVD MECHANISM: XJJ-014W-01) <MJMM>						
	A	LV44615-001A	SPECIAL SCREW		2	
	89	D4A-0010-01	DVD DRIVE		1	
	90	CM-ROFD3N	ROLLAR ASSY		1	
	801	-----	LEAD	NO SERVICE PART	1	
	802	-----	LEAD	NO SERVICE PART	1	
	803	-----	SLED MOTOR	NO SERVICE PART	2	
	804	-----	MOTOR BRACKET	NO SERVICE PART	1	
	805	-----	SCREW	NO SERVICE PART	3	
	806	-----	MOTOR WORM	NO SERVICE PART	1	
	807	-----	IDLER WHEEL A	NO SERVICE PART	1	
	808	-----	WASHER	NO SERVICE PART	3	
	809	-----	IDLER WHEEL B	NO SERVICE PART	1	
	810	-----	IDLER WHEEL PIN	NO SERVICE PART	2	
	811	-----	SCREW	NO SERVICE PART	3	
	812	-----	UP LEVER SPRING	NO SERVICE PART	2	
	813	-----	SCREW	NO SERVICE PART	7	
	814	-----	CUSHION	NO SERVICE PART	1	
	815	-----	LEVER R	NO SERVICE PART	1	
	816	-----	SUB SPRING R	NO SERVICE PART	1	
	817	-----	SUB LEVER R	NO SERVICE PART	1	
	818	-----	LOCK LEVER R	NO SERVICE PART	1	
	819	-----	LOCK LEVER	NO SERVICE PART	1	
	820	-----	MAIN SHASSIS	NO SERVICE PART	1	
	821	-----	DRIVING WORM	NO SERVICE PART	1	
	822	-----	ROLLER WORM	NO SERVICE PART	1	
	823	-----	WORM SHAFT	NO SERVICE PART	1	
	824	-----	LOAD GEAR	NO SERVICE PART	1	
	825	-----	DRIVING GEAR	NO SERVICE PART	1	
	826	-----	DRIVING GEAR PIN	NO SERVICE PART	1	
	827	-----	LEVER L	NO SERVICE PART	1	
	828	-----	LOCK LEVER L	NO SERVICE PART	1	
	829	-----	LEAD	NO SERVICE PART	1	
	830	-----	LEAD	NO SERVICE PART	1	
	831	-----	INNER SWITCH	NO SERVICE PART	1	
	832	-----	PICK-UP GUIDER	NO SERVICE PART	1	
	833	-----	SLED RACK	NO SERVICE PART	1	
	834	-----	SLED RACK SPRING	NO SERVICE PART	1	
	835	-----	SUB SLED RACK	NO SERVICE PART	1	
	836	-----	SCREW	NO SERVICE PART	2	
	837	-----	MAIN SHAFT A	NO SERVICE PART	1	
	838	-----	JUDGEMENT SPRING	NO SERVICE PART	3	
	839	-----	SCREW	NO SERVICE PART	2	
	840	-----	FPC	NO SERVICE PART	1	
	841	-----	MAIN SHAFT B	NO SERVICE PART	1	
	842	-----	SCREW	NO SERVICE PART	2	
	843	-----	PICK-UP	NO SERVICE PART	1	
	844	-----	LEAD	NO SERVICE PART	1	
	845	-----	LEAD	NO SERVICE PART	1	
	846	-----	SLED WORM	NO SERVICE PART	1	
	847	-----	PB LOCK PIN	NO SERVICE PART	2	
	848	-----	CHUCK SPRING	NO SERVICE PART	1	
	849	-----	CHUCK ARM	NO SERVICE PART	1	
	850	-----	PUSH LEVER	NO SERVICE PART	1	
	851	-----	CHUCK PLATE	NO SERVICE PART	1	
	852	-----	CLAMP PLATE	NO SERVICE PART	1	
	853	-----	SCREW	NO SERVICE PART	2	
	854	-----	PICK-UP BASE	NO SERVICE PART	1	
	855	-----	DAMPER PIN	NO SERVICE PART	3	
	856	-----	DAMPER SPRING L	NO SERVICE PART	2	
	857	-----	DAMPER L	NO SERVICE PART	2	
	858	-----	RIBBAND	NO SERVICE PART	1	
	859	-----	TURN TABLE	NO SERVICE PART	1	
	860	-----	SPINDER MOTOR	NO SERVICE PART	1	
	861	-----	SLED GEAR SHAFT	NO SERVICE PART	1	
	862	-----	DAMPER SPRING B	NO SERVICE PART	1	
	863	-----	SLED GEAR	NO SERVICE PART	1	
	864	-----	DAMPER B	NO SERVICE PART	1	
	865	-----	SCREW	NO SERVICE PART	1	
	866	-----	SWITCK	NO SERVICE PART	2	
	867	-----	PCB	NO SERVICE PART	1	
	868	-----	LEAD	NO SERVICE PART	1	
	869	-----	LEAD	NO SERVICE PART	1	
	870	-----	TOP COVER	NO SERVICE PART	1	
	871	-----	DISC ARM L	NO SERVICE PART	1	
	872	-----	DISC ARM SPRING	NO SERVICE PART	1	
	873	-----	DISC ARM R	NO SERVICE PART	1	
	874	-----	DISC ARM LOCKER SPRING	NO SERVICE PART	1	
	875	-----	DISC ARM LOCKER	NO SERVICE PART	1	
	876	-----	TOP GUIDE	NO SERVICE PART	1	
	877	-----	ROLLER L	NO SERVICE PART	2	
	878	-----	ROLLER SHAFT	NO SERVICE PART	2	
	879	-----	ROLLER GEAR	NO SERVICE PART	1	
	880	-----	ROLLER SHAFT	NO SERVICE PART	1	
	881	-----	SCREW	NO SERVICE PART	1	
	882	-----	PROTSCT COVER	NO SERVICE PART	2	
	883	-----	UP LEVER	NO SERVICE PART	1	
	884	-----	WASHER	NO SERVICE PART	2	
	885	-----	WASHER	NO SERVICE PART	2	
	886	-----	SUB CHUCK SPRING	NO SERVICE PART	1	

MODEL	MARK	MODEL	MARK	MODEL	MARK	MODEL	MARK
DDX375BT	K0	DDX395	K1	DDX4018BT	E1	DDX4018BT	X1
DDX4018DAB	E2						

Safe	Symbol No.	Parts No.	Parts Name	Description	QTY	Local
			BRACHET			
	887	-----	SUB CHUCK SPRING	NO SERVICE PART	1	
	888	-----	TOP CUSHION	NO SERVICE PART	1	
	891	-----	SPACER(H)	NO SERVICE PART	2	
	893	-----	DVD PROCESSOR U	NO SERVICE PART	1	

MODEL	MARK	MODEL	MARK	MODEL	MARK	MODEL	MARK
DDX375BT	K0	DDX395	K1	DDX4018BT	E1	DDX4018BT	X1
DDX4018DAB	E2						

Safe	Symbol No.	Parts No.	Parts Name	Description	QTY	Local
MAIN PWB ASSY (XJ1-201x-0x) <XJ1>						
	IC80	TC7USB42FT	MOS IC		1	
	IC130	NJM2535V-ZB	ANALOG IC		1	
	IC131	NJM2535V-ZB	ANALOG IC		1	
	IC132	NJM2561F1	BIPOLAR IC		1	
	IC160	BD37069FV-M	ANALOG IC		1	
	IC161	NJM11100F1	ANALOG IC		1	K0,E1,X1,E2
	IC162	NJW4190R-A	ANALOG IC		1	K1
	IC220	NJM4565E	BIPOLAR IC		1	
	IC243	NJM11100F1	ANALOG IC		1	
△	IC300	JCV8034	ANALOG IC		1	
	IC430	W3F-0158-00	MCU IC		1	E2
	IC470	NJM2584AM	ANALOG IC		1	E1,X1,E2
	IC500	MP9942AGJ	ANALOG IC		1	
	IC501	BD00HA5WEFJ	ANALOG IC		1	
	IC502	BD00HA5WEFJ	ANALOG IC		1	
	IC540	MP9942AGJ	ANALOG IC		1	
	IC580	LM3481MMXNOPB	ANALOG IC		1	
	IC600	SI4763-A42-GM	MOS IC		1	K0,K1,E1,X1
	IC720	W3F-0325-00	MCU IC		1	
	IC820	REX24016AAS0A	ROM IC		1	
	IC830	BU4824F	MOS IC		1	
	IC840	TC7SH17FUF	MOS IC		1	
	IC841	TC7SET08FU-J-X	IC(DIGITAL)		1	
	IC842	TC7SH17FUF	MOS IC		1	K0,K1
	IC843	TC7SET08FU-J-X	IC(DIGITAL)		1	K0,K1
	IC860	MP9942AGJ	ANALOG IC		1	
	IC890	BD2242G-G	MOS IC		1	
	IC900	LV5684NPVD-H	ANALOG IC		1	
	IC901	XC6201P502P-G	MOS IC		1	
	IC930	TC7SET08FU-J-X	IC(DIGITAL)		1	
	Q161	LSCR523UBFS8	TRANSISTOR		1	
	Q162	LSCR523UBFS8	TRANSISTOR		1	
	Q220	LSCR523EBFS8	TRANSISTOR		1	
	Q250	IMX9	DUAL TRANSISTOR		1	
	Q270	KRA306-P	DIGI TRANSISTOR		1	
	Q320	IMX9	DUAL TRANSISTOR		1	
	Q340	IMX9	DUAL TRANSISTOR		1	
	Q360	LSCR523EBFS8	TRANSISTOR		1	
	Q410	LSAR523EBFS8	TRANSISTOR		1	
	Q411	LSCR523EBFS8	TRANSISTOR		1	
	Q412	KRA307E-P	TRANSISTOR		1	
	Q413	KRC403E-P	DIGI TRANSISTOR		1	
	Q540	KRC407E-P	DIGI TRANSISTOR		1	
	Q580	RTQ035N03	FET		1	
	Q650	KRA306E-P	TRANSISTOR		1	
	Q720	LSAR523UBFS8	TRANSISTOR		1	
	Q830	KRA302E-P	DIGI TRANSISTOR		1	
	Q831	KRC407E-P	DIGI TRANSISTOR		1	
	Q832	KRC407E-P	DIGI TRANSISTOR		1	
	Q920	KRA302E-P	DIGI TRANSISTOR		1	
	Q921	KRC404E-P	DIGI TRANSISTOR		1	
	Q922	MCQ4435	FET		1	
	Q950	KRC407E-P	DIGI TRANSISTOR		1	
	Q951	LSCR523UBFS8	TRANSISTOR		1	
	Q952	LSAR523UBFS8	TRANSISTOR		1	
	Q970	KRC407E-P	DIGI TRANSISTOR		1	
	Q971	KRC407E-P	DIGI TRANSISTOR		1	
	Q972	LSCR523EBFS8	TRANSISTOR		1	
	Q973	LSAR523EBFS8	TRANSISTOR		1	
	Q974	LSCR523EBFS8	TRANSISTOR		1	
	Q975	LTA014TUBFS8	DIGI TRANSISTOR		1	
	Q976	LSAR523EBFS8	TRANSISTOR		1	
	Q990	RE1C002ZP	FET		1	E1,X1,E2
	Q991	RE1C002ZP	FET		1	E1,X1,E2
	Q992	KRC407E-P	DIGI TRANSISTOR		1	E1,X1,E2
	Q1010	KRC407E-P	DIGI TRANSISTOR		1	
	D61	GN3XB	DIODE		1	
	D160	UDZV6.2B	ZENER DIODE		1	
	D220	UDZV5.6B	ZENER DIODE		1	
	D270	DAP202U	DIODE ARRAY		1	
	D271	1SS355VM	DIODE		1	
	D272	DAP202U	DIODE ARRAY		1	E1,E2
	D382	SM5818PL	SCHOTTKY DIODE		1	
	D383	SM5818PL	SCHOTTKY DIODE		1	
	D400	UDZV6.2B	ZENER DIODE		1	
	D410	1SS355VM	DIODE		1	
	D411	1SS355VM	DIODE		1	
	D430	UDZV3.3B	ZENER DIODE		1	E2
	D500	SM5818PL	SCHOTTKY DIODE		1	
	D501	SM5818PL	SCHOTTKY DIODE		1	
	D540	1SS355VM	DIODE		1	
	D541	1SS355VM	DIODE		1	
	D580	RB160L-40	SCHOTTKY DIODE		1	
	D581	1SS355VM	DIODE		1	
	D582	1SS355VM	DIODE		1	
	D830	1SS355VM	DIODE		1	
	D900	SM5818PL	SCHOTTKY DIODE		1	
	D901	SK34A-L	SCHOTTKY DIODE		1	
	D920	UDZV18B	ZENER DIODE		1	
	D950	UDZV6.2B	ZENER DIODE		1	

MODEL	MARK	MODEL	MARK	MODEL	MARK	MODEL	MARK
DDX375BT	K0	DDX395	K1	DDX4018BT	E1	DDX4018BT	X1
DDX4018DAB	E2						

Safe	Symbol No.	Parts No.	Parts Name	Description	QTY	Local
	D951	UDZV18B	ZENER DIODE		1	
	D970	UDZV6.2B	ZENER DIODE		1	
	D990	1SS355VM	DIODE		1	E1,X1,E2
	D991	1SS355VM	DIODE		1	E1,X1,E2
	C60	CK73GXR1H221K	C CAPACITOR	220pF 50V K	1	
	C61	CK73GXR1H221K	C CAPACITOR	220pF 50V K	1	
	C62	CK73GXR1H221K	C CAPACITOR	220pF 50V K	1	
	C63	CK73GXR1H221K	C CAPACITOR	220pF 50V K	1	
	C68	CK73GXR1H221K	C CAPACITOR	220pF 50V K	1	
	C69	CK73GXR1H221K	C CAPACITOR	220pF 50V K	1	
	C70	CK73GXR1H221K	C CAPACITOR	220pF 50V K	1	
	C71	CK73GXR1H221K	C CAPACITOR	220pF 50V K	1	
	C72	CD04EU1C222M1	E CAPACITOR	2200uF 16V M	1	
	C80	CK73HXR1H472K	C CAPACITOR	4700pF 50V K	1	
	C81	CK73HXR1H471K	C CAPACITOR	470pF 50V K	1	
	C82	CK73HXR1C103K	C CAPACITOR	0.01uF 16V K	1	
	C83	CK73FXR0J106K	C CAPACITOR	10uF 6.3V K	1	
	C100	CK73GXR1C105K	C CAPACITOR	1uF 16V K	1	E1,X1,E2
	C102	CK73GXR0J106K	C CAPACITOR	10uF 6.3V K	1	E1,X1,E2
	C104	CK73GXR1C105K	C CAPACITOR	1uF 16V K	1	E1,X1,E2
	C105	CK73HXR1H102K	C CAPACITOR	1000pF 50V K	1	E1,X1,E2
	C106	CK73HXR1H102K	C CAPACITOR	1000pF 50V K	1	E1,X1,E2
	C130	CK73GXR1C105K	C CAPACITOR	1uF 16V K	1	X1
	C131	CK73GXR1C104K	C CAPACITOR	0.1uF 10V K	1	
	C132	CK73GXR1C105K	C CAPACITOR	1uF 16V K	1	
	C133	CK73GXR1C105K	C CAPACITOR	1uF 16V K	1	
	C134	CK73HXR1A104K	C CAPACITOR	0.1uF 10V K	1	
	C135	CD04AR1A471M2	E CAPACITOR	470uF 10V M	1	
	C136	CK73GXR1C104K	C CAPACITOR	0.1uF 10V K	1	
	C137	CK73GXR1C105K	C CAPACITOR	1uF 16V K	1	
	C138	CK73HXR1A104K	C CAPACITOR	0.1uF 10V K	1	
	C139	CK73GXR1C105K	C CAPACITOR	1uF 16V K	1	
	C160	CK73FXR1C106K	C CAPACITOR	10uF 16V K	1	
	C161	CK73FXR1C106K	C CAPACITOR	10uF 16V K	1	
	C162	CE32BJ1V4R7M	E CAPACITOR	4.7uF 35V M	1	
	C163	CE32BJ1V4R7M	E CAPACITOR	4.7uF 35V M	1	
	C164	CE32BJ1V4R7M	E CAPACITOR	4.7uF 35V M	1	
	C165	CE32BJ1V4R7M	E CAPACITOR	4.7uF 35V M	1	
	C166	CE32BJ1V4R7M	E CAPACITOR	4.7uF 35V M	1	
	C167	CE32BJ1V4R7M	E CAPACITOR	4.7uF 35V M	1	
	C168	CK73FXR1C475K	C CAPACITOR	4.7uF 16V K	1	
	C169	CK73FXR1C475K	C CAPACITOR	4.7uF 16V K	1	
	C170	CE32BY1C470M	E CAPACITOR	47uF 16V M	1	
	C171	CE32CL1C100M	E CAPACITOR	10uF 16V M	1	
	C172	CE32CL1E330M	E CAPACITOR	33uF 25V M	1	K0,E1,X1,E2
	C172	CE32BM1E470M	E CAPACITOR	47uF 25V M	1	K1
	C173	CK73HXR1H152K	C CAPACITOR	1500pF 50V K	1	
	C174	CK73HXR1H152K	C CAPACITOR	1500pF 50V K	1	
	C175	CK73HXR1H152K	C CAPACITOR	1500pF 50V K	1	
	C176	CK73HXR1H152K	C CAPACITOR	1500pF 50V K	1	
	C177	CK73HXR1H152K	C CAPACITOR	1500pF 50V K	1	
	C178	CK73HXR1H152K	C CAPACITOR	1500pF 50V K	1	
	C185	CC73HCH1H101J	C CAPACITOR	100pF 50V J	1	K0,E1,X1,E2
	C186	CK73GXR1C104K	C CAPACITOR	0.1uF 10V K	1	K0,E1,X1,E2
	C187	CK73HXR1H103K	C CAPACITOR	0.01uF 50V K	1	K0,E1,X1,E2
	C188	CK73HXR1A105K	C CAPACITOR	1uF 10V K	1	K0,E1,X1,E2
	C190	CK73FXR1E105K	C CAPACITOR	1uF 25V K	1	K1
	C191	CK73GXR1C105K	C CAPACITOR	1uF 16V K	1	K1
	C192	CK73GXR1C105K	C CAPACITOR	1uF 16V K	1	K1
	C220	CK73GXR1A105K	C CAPACITOR	1uF 10V K	1	
	C223	CK73HXR1A273K	C CAPACITOR	0.027uF 10V K	1	
	C224	CK73HXR1A273K	C CAPACITOR	0.027uF 10V K	1	
	C225	CK73GXR1C105K	C CAPACITOR	1uF 16V K	1	
	C226	CK73GXR1C105K	C CAPACITOR	1uF 16V K	1	
	C227	CE32BZ1C220M	E CAPACITOR	22uF 16V M	1	
	C228	CK73HXR1H331K	C CAPACITOR	330pF 50V K	1	
	C229	CC73HCH1H220J	C CAPACITOR	22pF 50V J	1	
	C230	CK73HXR1H331K	C CAPACITOR	330pF 50V K	1	
	C231	CE32BZ1C220M	E CAPACITOR	22uF 16V M	1	
	C232	CK73GXR1C104K	C CAPACITOR	0.1uF 10V K	1	
	C233	CK73HXR1C333K	C CAPACITOR	0.033uF 16V K	1	
	C234	CK73GXR1C105K	C CAPACITOR	1uF 16V K	1	
	C235	CK73HXR1C333K	C CAPACITOR	0.033uF 16V K	1	
	C236	CK73GXR1C105K	C CAPACITOR	1uF 16V K	1	
	C241	CK73HXR1C103K	C CAPACITOR	0.01uF 16V K	1	
	C242	CK73GXR1C105K	C CAPACITOR	1uF 16V K	1	
	C243	CK73GXR1H103K	C CAPACITOR	0.01uF 50V K	1	
	C244	CK73GXR1C104K	C CAPACITOR	0.1uF 10V K	1	
	C245	CC73HCH1H101J	C CAPACITOR	100pF 50V J	1	
	C247	CK73HXR1A105K	C CAPACITOR	1uF 10V K	1	
	C250	CK73EXR1C475K	C CAPACITOR	4.7uF 16V K	1	
	C251	CK73EXR1C475K	C CAPACITOR	4.7uF 16V K	1	
	C270	CK73GXR1H104K	C CAPACITOR	0.1uF 50V K	1	
	C300	CK73GXR1C105K	C CAPACITOR	1uF 16V K	1	
	C301	CE32CL1E330M	E CAPACITOR	33uF 25V M	1	
	C302	CK730AV1C224K	C CAPACITOR	0.22uF 16V K	1	
	C303	CK730AV1C224K	C CAPACITOR	0.22uF 16V K	1	
	C304	CK730AV1C224K	C CAPACITOR	0.22uF 16V K	1	
	C305	CK730AV1C224K	C CAPACITOR	0.22uF 16V K	1	
	C306	CK730AV1C105K	C CAPACITOR	1uF 16V K	1	

MODEL	MARK	MODEL	MARK	MODEL	MARK	MODEL	MARK
DDX375BT	K0	DDX395	K1	DDX4018BT	E1	DDX4018BT	X1
DDX4018DAB	E2						

Safe	Symbol No.	Parts No.	Parts Name	Description	QTY	Local
	C308	CK73GXR1C105K	C CAPACITOR	1uF 16V K	1	
	C320	CK73EXR1C475K	C CAPACITOR	4.7uF 16V K	1	
	C330	CK73EXR1C475K	C CAPACITOR	4.7uF 16V K	1	
	C340	CK73EXR1C475K	C CAPACITOR	4.7uF 16V K	1	
	C350	CK73EXR1C475K	C CAPACITOR	4.7uF 16V K	1	
	C352	CK73HXR1H332K	C CAPACITOR	3300pF 50V K	1	
	C353	CC73HCH1H101J	C CAPACITOR	100pF 50V J	1	
	C360	CK73HXR0J105K	C CAPACITOR	1uF 6.3V K	1	
	C361	CK73HXR1E103K	C CAPACITOR	0.01uF 25V K	1	
	C410	CK73GXR0J225K	C CAPACITOR	2.2uF 6.3V K	1	
	C412	CK73HXR1E103K	C CAPACITOR	0.01uF 25V K	1	
	C430	CK73HXR1E103K	C CAPACITOR	0.01uF 25V K	1	E2
	C431	CK73HXR0J474K	C CAPACITOR	0.47uF 6.3V K	1	E2
	C432	CK73HXR1A104K	C CAPACITOR	0.1uF 10V K	1	E2
	C433	CK73GXR1C105K	C CAPACITOR	1uF 16V K	1	E2
	C470	CK73GXR1A105K	C CAPACITOR	1uF 10V K	1	E1,X1,E2
	C471	CK73HXR0J105K	C CAPACITOR	1uF 6.3V K	1	E1,X1,E2
	C472	CK73GXR0J106K	C CAPACITOR	10uF 6.3V K	1	
	C473	CK73HXR1A104K	C CAPACITOR	0.1uF 10V K	1	E1,X1,E2
	C474	CK73GXR1A105K	C CAPACITOR	1uF 10V K	1	E1,X1,E2
	C475	CK73HXR0J105K	C CAPACITOR	1uF 6.3V K	1	E1,X1,E2
	C476	CK73GXR1A105K	C CAPACITOR	1uF 10V K	1	E1,X1,E2
	C477	CK73HXR0J105K	C CAPACITOR	1uF 6.3V K	1	E1,X1,E2
	C480	CK73GXR1H223K	C CAPACITOR	0.022uF 50V K	1	
	C485	CK73HXR1E103K	C CAPACITOR	0.01uF 25V K	1	
	C486	CK73HXR1A104K	C CAPACITOR	0.1uF 10V K	1	
	C487	CK73GXR0J106K	C CAPACITOR	10uF 6.3V K	1	
	C489	CK73HXR1E103K	C CAPACITOR	0.01uF 25V K	1	
	C490	CK73HXR1A104K	C CAPACITOR	0.1uF 10V K	1	
	C491	CK73GXR0J106K	C CAPACITOR	10uF 6.3V K	1	
	C492	CE32BY1C101M	E CAPACITOR	100uF 16V M	1	
	C493	CK73HXR1E103K	C CAPACITOR	0.01uF 25V K	1	
	C494	CK73HXR1A104K	C CAPACITOR	0.1uF 10V K	1	
	C495	CK73FXR1C106K	C CAPACITOR	10uF 16V K	1	
	C500	CK73EXR1E106K	C CAPACITOR	10uF 25V K	1	
	C501	CK73GXR1H104K	C CAPACITOR	0.1uF 50V K	1	
	C503	CK73HXR0J224K	C CAPACITOR	0.22uF 6.3V K	1	
	C504	CK73HXR1C104K	C CAPACITOR	0.1uF 16V K	1	
	C505	CC73HCH1H120J	C CAPACITOR	12pF 50V J	1	
	C506	CK73HXR1H102K	C CAPACITOR	1000pF 50V K	1	
	C507	CK73FXR1C106K	C CAPACITOR	10uF 16V K	1	
	C508	CE32CC1C221M	E CAPACITOR	220uF 16V M	1	
	C509	CK73FXR1C106K	C CAPACITOR	10uF 16V K	1	
	C510	CK73FXR1C106K	C CAPACITOR	10uF 16V K	1	
	C511	CK73GXR1H104K	C CAPACITOR	0.1uF 50V K	1	
	C512	CK73FXR1C106K	C CAPACITOR	10uF 16V K	1	
	C513	CK73FXR1C106K	C CAPACITOR	10uF 16V K	1	
	C514	CK73GXR1H104K	C CAPACITOR	0.1uF 50V K	1	
	C515	CK73EXR1E106K	C CAPACITOR	10uF 25V K	1	
	C516	CK73HXR0J224K	C CAPACITOR	0.22uF 6.3V K	1	
	C540	CK73EXR1E106K	C CAPACITOR	10uF 25V K	1	
	C541	CK73GXR1H104K	C CAPACITOR	0.1uF 50V K	1	
	C543	CK73HXR0J224K	C CAPACITOR	0.22uF 6.3V K	1	
	C544	CK73HXR1C104K	C CAPACITOR	0.1uF 16V K	1	
	C545	CC73HCH1H150J	C CAPACITOR	15pF 50V J	1	
	C546	CK73HXR1H102K	C CAPACITOR	1000pF 50V K	1	
	C547	CK73FXR1C106K	C CAPACITOR	10uF 16V K	1	
	C548	CE32CC1C221M	E CAPACITOR	220uF 16V M	1	
	C549	CK73HXR0J224K	C CAPACITOR	0.22uF 6.3V K	1	
	C580	CK73EXR1E106K	C CAPACITOR	10uF 25V K	1	
	C581	CK73EXR1E106K	C CAPACITOR	10uF 25V K	1	
	C582	CK73HXR1H391K	C CAPACITOR	390pF 50V K	1	
	C583	CK73HXR1C104K	C CAPACITOR	0.1uF 16V K	1	
	C584	CK73HXR1H102K	C CAPACITOR	1000pF 50V K	1	
	C585	CK73HXR1H821K	C CAPACITOR	820pF 50V K	1	
	C586	CK73GXR1C105K	C CAPACITOR	1uF 16V K	1	
	C587	CK73GXR1H104K	C CAPACITOR	0.1uF 50V K	1	
	C588	CK73EXR1E106K	C CAPACITOR	10uF 25V K	1	
	C589	CK73EXR1E106K	C CAPACITOR	10uF 25V K	1	
	C590	CE32BY1E101M	E CAPACITOR	100uF 25V M	1	
	C600	CK73GXR1H103K	C CAPACITOR	0.01uF 50V K	1	
	C601	CK73GXR1H104K	C CAPACITOR	0.1uF 50V K	1	
	C602	CK73GXR0J106K	C CAPACITOR	10uF 6.3V K	1	
	C603	CK73GXR1H103K	C CAPACITOR	0.01uF 50V K	1	
	C604	CK73GXR1H104K	C CAPACITOR	0.1uF 50V K	1	
	C605	CK73GXR0J106K	C CAPACITOR	10uF 6.3V K	1	
	C606	CK73HXR1H222K	C CAPACITOR	2200pF 50V K	1	K0,K1,E1,X1
	C607	CK73GXR1H102K	C CAPACITOR	1000pF 50V K	1	K0,K1,E1,X1
	C608	CC73GCH1H390J	C CAPACITOR	39pF 50V J	1	K0,K1,E1,X1
	C609	CC73GCH1H270J	C CAPACITOR	27pF 50V J	1	K0,K1,E1,X1
△	C613	CC73GCH1H010C	C CAPACITOR	1pF 50V C	1	K0,K1,E1,X1
	C614	CC73GCH1H050C	C CAPACITOR	5pF 50V C	1	K0,K1,E1,X1
	C615	CK73GXR1C104K	C CAPACITOR	0.1uF 10V K	1	K0,K1,E1,X1
	C616	CK73GXR1H103K	C CAPACITOR	0.01uF 50V K	1	K0,K1,E1,X1
	C617	CK73FXR1C106K	C CAPACITOR	10uF 16V K	1	K0,K1,E1,X1
	C618	CK73GXR1C104K	C CAPACITOR	0.1uF 10V K	1	K0,K1,E1,X1
	C622	CK73HXR1H682K	C CAPACITOR	6800pF 50V K	1	K0,K1,E1,X1
	C623	CK73HXR1H682K	C CAPACITOR	6800pF 50V K	1	K0,K1,E1,X1
	C624	CK73GXR1A105K	C CAPACITOR	1uF 10V K	1	K0,K1,E1,X1
	C625	CK73GXR1A105K	C CAPACITOR	1uF 10V K	1	K0,K1,E1,X1
	C626	CK73FXR1C106K	C CAPACITOR	10uF 16V K	1	K0,K1,E1,X1
	C627	CK73HXR0J105K	C CAPACITOR	1uF 6.3V K	1	K0,K1,E1,X1

MODEL	MARK	MODEL	MARK	MODEL	MARK	MODEL	MARK
DDX375BT	K0	DDX395	K1	DDX4018BT	E1	DDX4018BT	X1
DDX4018DAB	E2						

Safe	Symbol No.	Parts No.	Parts Name	Description	QTY	Local
	C628	CC73GCH1H101J	C CAPACITOR	100pF 50V J	1	K0,K1,E1,X1
	C629	CC73GCH1H101J	C CAPACITOR	100pF 50V J	1	K0,K1,E1,X1
	C633	CC73HCH1H010C	C CAPACITOR	1pF 50V C	1	K0,K1,E1,X1
	C634	CC73HCH1H010C	C CAPACITOR	1pF 50V C	1	K0,K1,E1,X1
	C635	CC73HCH1H101J	C CAPACITOR	100pF 50V J	1	K0,K1,E1,X1
	C636	CK73HXR1H222K	C CAPACITOR	2200pF 50V K	1	K0,K1,E1,X1
	C637	CK73GXR1H222K	C CAPACITOR	2200pF 50V K	1	K0,K1,E1,X1
	C638	CK73HXR1H222K	C CAPACITOR	2200pF 50V K	1	K0,K1,E1,X1
	C639	CK73FXR1C106K	C CAPACITOR	10uF 16V K	1	K0,K1,E1,X1
	C640	CK73GXR1H104K	C CAPACITOR	0.1uF 50V K	1	K0,K1,E1,X1
	C641	CK73GXR1H104K	C CAPACITOR	0.1uF 50V K	1	K0,K1,E1,X1
△	C642	CC73GCH1H010C	C CAPACITOR	1pF 50V C	1	K0,K1,E1,X1
△	C643	CC73GCH1H010C	C CAPACITOR	1pF 50V C	1	K0,K1,E1,X1
△	C644	CC73GCH1H010C	C CAPACITOR	1pF 50V C	1	K0,K1,E1,X1
△	C645	CC73GCH1H010C	C CAPACITOR	1pF 50V C	1	K0,K1,E1,X1
	C647	CC73GCH1H0R5C	C CAPACITOR	0.5pF 50V C	1	E2
	C648	CC73HCH1H010C	C CAPACITOR	1pF 50V C	1	K0,K1,E1,X1
	C649	CC73GCH1H0R5C	C CAPACITOR	0.5pF 50V C	1	K0,K1,E1,X1
	C650	CC73HCH1H010C	C CAPACITOR	1pF 50V C	1	K0,K1,E1,X1
△	C651	CC73GCH1H010C	C CAPACITOR	1pF 50V C	1	K0,K1,E1,X1
△	C652	CC73GCH1H010C	C CAPACITOR	1pF 50V C	1	E2
△	C653	CC73GCH1H010C	C CAPACITOR	1pF 50V C	1	
△	C654	CC73GCH1H010C	C CAPACITOR	1pF 50V C	1	
△	C655	CC73GCH1H010C	C CAPACITOR	1pF 50V C	1	
△	C656	CC73GCH1H010C	C CAPACITOR	1pF 50V C	1	
	C657	CC73HCH1H010C	C CAPACITOR	1pF 50V C	1	K0,K1,E1,X1
	C720	CK73GXR0J106K	C CAPACITOR	10uF 6.3V K	1	
	C721	CK73HXR1H222K	C CAPACITOR	2200pF 50V K	1	
	C727	CK73HXR1E103K	C CAPACITOR	0.01uF 25V K	1	
	C728	CK73HXR1E103K	C CAPACITOR	0.01uF 25V K	1	
	C729	CK73HXR1E103K	C CAPACITOR	0.01uF 25V K	1	
	C730	CK73HXR1E103K	C CAPACITOR	0.01uF 25V K	1	
	C731	CK73HXR1E103K	C CAPACITOR	0.01uF 25V K	1	
	C732	CK73HXR0J105K	C CAPACITOR	1uF 6.3V K	1	
	C733	CK73HXR0J105K	C CAPACITOR	1uF 6.3V K	1	
	C734	CK73GXR1H103K	C CAPACITOR	0.01uF 50V K	1	
	C737	CK73GXR1H104K	C CAPACITOR	0.1uF 50V K	1	
	C738	CK73GXR1H104K	C CAPACITOR	0.1uF 50V K	1	
	C739	CK73HXR1A104K	C CAPACITOR	0.1uF 10V K	1	
	C740	CC73GCH1H180J	C CAPACITOR	18pF 50V J	1	
	C741	CC73GCH1H180J	C CAPACITOR	18pF 50V J	1	
	C742	CC73HCH1H100D	C CAPACITOR	10pF 50V D	1	
	C743	CC73HCH1H120J	C CAPACITOR	12pF 50V J	1	
	C820	CK73HXR1E103K	C CAPACITOR	0.01uF 25V K	1	
	C831	CK73HXR1E103K	C CAPACITOR	0.01uF 25V K	1	
	C832	CK73HXR0J105K	C CAPACITOR	1uF 6.3V K	1	
	C833	CK73HXR1E103K	C CAPACITOR	0.01uF 25V K	1	
	C840	CK73HXR1C104K	C CAPACITOR	0.1uF 16V K	1	
	C841	CK73HXR1C104K	C CAPACITOR	0.1uF 16V K	1	
	C842	CK73HXR1C104K	C CAPACITOR	0.1uF 16V K	1	K0,K1
	C843	CK73HXR1C104K	C CAPACITOR	0.1uF 16V K	1	K0,K1
	C860	CK73EXR1E106K	C CAPACITOR	10uF 25V K	1	
	C861	CK73GXR1H104K	C CAPACITOR	0.1uF 50V K	1	
	C863	CK73HXR0J224K	C CAPACITOR	0.22uF 6.3V K	1	
	C864	CK73HXR1C104K	C CAPACITOR	0.1uF 16V K	1	
	C865	CC73HCH1H101J	C CAPACITOR	100pF 50V J	1	
	C866	CK73HXR1H102K	C CAPACITOR	1000pF 50V K	1	
	C867	CK73GXR0J106K	C CAPACITOR	10uF 6.3V K	1	
	C868	CE32CC0J331M	E CAPACITOR	330uF 6.3V M	1	
	C872	CK73EXR1E106K	C CAPACITOR	10uF 25V K	1	
	C873	CK73EXR1E106K	C CAPACITOR	10uF 25V K	1	
	C874	CK73EXR1E106K	C CAPACITOR	10uF 25V K	1	
	C875	CK73HXR0J224K	C CAPACITOR	0.22uF 6.3V K	1	
	C890	CK73HXR1A104K	C CAPACITOR	0.1uF 10V K	1	
	C891	CK73HXR1A104K	C CAPACITOR	0.1uF 10V K	1	
	C900	CK73FXR1H224K	C CAPACITOR	0.22uF 50V K	1	
	C901	CD04AR1C471M2	E CAPACITOR	470uF 16V M	1	
	C902	CK73FXR1H224K	C CAPACITOR	0.22uF 50V K	1	
	C903	CE32BY1E101M	E CAPACITOR	100uF 25V M	1	
	C904	CK73GXR0J106K	C CAPACITOR	10uF 6.3V K	1	
	C905	CK73EXR1A476K	C CAPACITOR	47uF 10V K	1	
	C906	CK73FXR0J226M	C CAPACITOR	22uF 6.3V M	1	
	C907	CE32BZ0J331M	E CAPACITOR	330uF 6.3V M	1	
	C908	CK73FXR1C106K	C CAPACITOR	10uF 16V K	1	
	C909	CK73FXR0J226M	C CAPACITOR	22uF 6.3V M	1	
	C910	CK73FXR1C106K	C CAPACITOR	10uF 16V K	1	
	C911	CK73EXR1E106K	C CAPACITOR	10uF 25V K	1	
	C912	CK73EXR1E106K	C CAPACITOR	10uF 25V K	1	
	C913	CK73GXR1C105K	C CAPACITOR	1uF 16V K	1	
	C914	CK73GXR1C105K	C CAPACITOR	1uF 16V K	1	
	C915	CK73EXR1E106K	C CAPACITOR	10uF 25V K	1	
	C920	CK73FXR1H334K	C CAPACITOR	0.33uF 50V K	1	
	C930	CC73HCH1H331J	C CAPACITOR	330pF 50V J	1	
	C931	CC73HCH1H331J	C CAPACITOR	330pF 50V J	1	
	C932	CK73HXR1C103K	C CAPACITOR	0.01uF 16V K	1	
	C950	CK73HXR1H103K	C CAPACITOR	0.01uF 50V K	1	
	C951	CK73FXR1H334K	C CAPACITOR	0.33uF 50V K	1	
	C1016	CK73EXR1E106K	C CAPACITOR	10uF 25V K	1	E1,X1,E2
	C1017	CK73EXR1E106K	C CAPACITOR	10uF 25V K	1	E1,X1,E2
	C1018	CK73EXR1E106K	C CAPACITOR	10uF 25V K	1	E1,X1,E2

MODEL	MARK	MODEL	MARK	MODEL	MARK	MODEL	MARK
DDX375BT	K0	DDX395	K1	DDX4018BT	E1	DDX4018BT	X1
DDX4018DAB	E2						

Safe	Symbol No.	Parts No.	Parts Name	Description	QTY	Local
	C1019	CK73EXR1E106K	C CAPACITOR	10uF 25V K	1	E1,X1,E2
	C1025	CC73HCH1H050C	C CAPACITOR	5pF 50V C	1	
	C1026	CC73HCH1H050C	C CAPACITOR	5pF 50V C	1	
	C1027	CC73HCH1H050C	C CAPACITOR	5pF 50V C	1	
	C1031	CK73HXR1H472K	C CAPACITOR	4700pF 50V K	1	
	C1032	CK73HXR1H472K	C CAPACITOR	4700pF 50V K	1	
	C1033	CK73HXR0J105K	C CAPACITOR	1uF 6.3V K	1	
	C1034	CK73HXR0J105K	C CAPACITOR	1uF 6.3V K	1	
	C1035	CK73HXR0J105K	C CAPACITOR	1uF 6.3V K	1	
	C1036	CK73HXR1H472K	C CAPACITOR	4700pF 50V K	1	
	C1037	CK73HXR1A105K	C CAPACITOR	1uF 10V K	1	K0,K1,E1,X1
	C1038	CK73HXR1A105K	C CAPACITOR	1uF 10V K	1	K0,K1,E1,X1
	C1043	CK73GXR1H471K	C CAPACITOR	470pF 50V K	1	
△	C1044	CC73GCH1H010C	C CAPACITOR	1pF 50V C	1	E2
	C1045	CK73GXR1H472K	C CAPACITOR	4700pF 50V K	1	
	C1046	CK73GXR1H104K	C CAPACITOR	0.1uF 50V K	1	
	C1047	CK73GXR1H104K	C CAPACITOR	0.1uF 50V K	1	
	C1048	CK73EXR1E106K	C CAPACITOR	10uF 25V K	1	
	C1052	CK73GXR1H104K	C CAPACITOR	0.1uF 50V K	1	E2
	C1055	CK73FXR1C106K	C CAPACITOR	10uF 16V K	1	
	C1058	CK73GXR1H104K	C CAPACITOR	0.1uF 50V K	1	
	C1060	CK73GXR1H104K	C CAPACITOR	0.1uF 50V K	1	K0,K1,E1,X1
	C1061	CK73GXR1H104K	C CAPACITOR	0.1uF 50V K	1	
	C1065	CK73GXR1H472K	C CAPACITOR	4700pF 50V K	1	
	C1066	CK73GXR1H104K	C CAPACITOR	0.1uF 50V K	1	
	C1067	CC73GCH1H221J	C CAPACITOR	220pF 50V J	1	
	C1068	CK73GXR1H223K	C CAPACITOR	0.022uF 50V K	1	
	C1069	CK73GXR1H223K	C CAPACITOR	0.022uF 50V K	1	
	C1074	CK73GXR1H103K	C CAPACITOR	0.01uF 50V K	1	E1,X1,E2
△	C1077	CC73GCH1H010C	C CAPACITOR	1pF 50V C	1	
	C1078	CK73GXR1H104K	C CAPACITOR	0.1uF 50V K	1	
	C1080	CK73GXR1H471K	C CAPACITOR	470pF 50V K	1	
	C1081	CK73GXR1H471K	C CAPACITOR	470pF 50V K	1	
	C1082	CK73GXR1H104K	C CAPACITOR	0.1uF 50V K	1	
△	C1083	CC73GCH1H010C	C CAPACITOR	1pF 50V C	1	K0,K1,E1,X1
△	C1084	CC73GCH1H010C	C CAPACITOR	1pF 50V C	1	K0,K1,E1,X1
	C1086	CK73GXR1H104K	C CAPACITOR	0.1uF 50V K	1	
	C1087	CC73HCH1H0R5C	C CAPACITOR	0.5pF 50V C	1	K0,K1,E1,X1
	C1088	CC73GCH1H0R5C	C CAPACITOR	0.5pF 50V C	1	K0,K1,E1,X1
	C1089	CK73GXR1H105K	C CAPACITOR	1uF 50V K	1	K0,K1,E1,X1
	C1090	CK73GXR1H105K	C CAPACITOR	1uF 50V K	1	K0,K1,E1,X1
	C1091	CK73GXR1C473K	C CAPACITOR	0.047uF 16V K	1	
	C1092	CK73GXR1H333K	C CAPACITOR	0.033uF 50V K	1	
	C1093	CK73GXR1H333K	C CAPACITOR	0.033uF 50V K	1	
	C1094	CC73GCH1H0R5C	C CAPACITOR	0.5pF 50V C	1	E2
△	C1095	CC73GCH1H010C	C CAPACITOR	1pF 50V C	1	
	C1096	CC73GCH1H0R5C	C CAPACITOR	0.5pF 50V C	1	
	C1097	CC73GCH1H0R5C	C CAPACITOR	0.5pF 50V C	1	E2
	C1098	CC73GCH1H0R5C	C CAPACITOR	0.5pF 50V C	1	
	C1099	CC73GCH1H0R5C	C CAPACITOR	0.5pF 50V C	1	
	C1206	CK73GXR1C105K	C CAPACITOR	1uF 16V K	1	
	R80	RK73GB2A222J	MG RESISTOR	2.2kΩ 1/10W J	1	
	R100	RK73HH1J750D	MG RESISTOR	75Ω 1/16W D	1	E1,X1,E2
	R101	RK73HB1J332J	MG RESISTOR	3.3kΩ 1/16W J	1	E1,X1,E2
	R102	RK73HB1J223J	MG RESISTOR	22kΩ 1/16W J	1	E1,X1,E2
	R103	RK73HB1J302J	MG RESISTOR	3kΩ 1/16W J	1	E1,X1,E2
	R105	RK73HB1J162J	MG RESISTOR	1.6kΩ 1/16W J	1	E1,X1,E2
	R106	RK73HB1J223J	MG RESISTOR	22kΩ 1/16W J	1	E1,X1,E2
	R107	RK73HB1J302J	MG RESISTOR	3kΩ 1/16W J	1	E1,X1,E2
	R108	RK73HB1J332J	MG RESISTOR	3.3kΩ 1/16W J	1	E1,X1,E2
	R113	RK73HB1J100J	MG RESISTOR	10Ω 1/16W J	1	E1,X1,E2
	R114	RK73GB2A000J	MG RESISTOR	0Ω 1/10W J	1	E1,X1,E2
	R115	RK73HB1J100J	MG RESISTOR	10Ω 1/16W J	1	E1,X1,E2
	R130	RK73GB2A100J	MG RESISTOR	10Ω 1/10W J	1	X1
	R131	RK73HH1J750D	MG RESISTOR	75Ω 1/16W D	1	X1
	R132	RK73HB1J105J	MG RESISTOR	1MΩ 1/16W J	1	
	R134	RK73GB2A100J	MG RESISTOR	10Ω 1/10W J	1	
	R135	RK73HH1J750D	MG RESISTOR	75Ω 1/16W D	1	
	R136	RK73GH2A750D	MG RESISTOR	75Ω 1/10W D	1	
	R137	RK73GB2A105J	MG RESISTOR	1MΩ 1/10W J	1	K0,K1,E1,E2
	R160	RK73GB2A000J	MG RESISTOR	0Ω 1/10W J	1	
	R161	RK73GB2A000J	MG RESISTOR	0Ω 1/10W J	1	
	R162	RK73HB1J000J	MG RESISTOR	0Ω 1/16W J	1	K0,E1,X1,E2
	R163	RK73HB1J000J	MG RESISTOR	0Ω 1/16W J	1	
	R164	RK73GB2A101J	MG RESISTOR	100Ω 1/10W J	1	
	R165	RK73GB2A101J	MG RESISTOR	100Ω 1/10W J	1	
	R166	RK73GB2A000J	MG RESISTOR	0Ω 1/10W J	1	K0,E1,X1,E2
	R167	RK73HB1J000J	MG RESISTOR	0Ω 1/16W J	1	
	R168	RK73HB1J000J	MG RESISTOR	0Ω 1/16W J	1	
	R169	RK73HB1J000J	MG RESISTOR	0Ω 1/16W J	1	
	R170	RK73HB1J000J	MG RESISTOR	0Ω 1/16W J	1	
	R171	RK73HB1J000J	MG RESISTOR	0Ω 1/16W J	1	
	R172	RK73HB1J000J	MG RESISTOR	0Ω 1/16W J	1	
	R173	RK73HB1J680J	MG RESISTOR	68Ω 1/16W J	1	
	R174	RK73HB1J000J	MG RESISTOR	0Ω 1/16W J	1	
	R175	RK73HB1J680J	MG RESISTOR	68Ω 1/16W J	1	
	R176	RK73HB1J000J	MG RESISTOR	0Ω 1/16W J	1	
	R177	RK73HB1J680J	MG RESISTOR	68Ω 1/16W J	1	
	R178	RK73HB1J000J	MG RESISTOR	0Ω 1/16W J	1	
	R179	RK73HB1J680J	MG RESISTOR	68Ω 1/16W J	1	
	R180	RK73HB1J000J	MG RESISTOR	0Ω 1/16W J	1	
	R181	RK73GB2A000J	MG RESISTOR	0Ω 1/10W J	1	K1

MODEL	MARK	MODEL	MARK	MODEL	MARK	MODEL	MARK
DDX375BT	K0	DDX395	K1	DDX4018BT	E1	DDX4018BT	X1
DDX4018DAB	E2						

Safe	Symbol No.	Parts No.	Parts Name	Description	QTY	Local
	R182	RK73GB2A000J	MG RESISTOR	0Ω 1/10W J	1	K1
	R183	RK73HB1J331J	MG RESISTOR	330Ω 1/16W J	1	
	R184	RK73HB1J331J	MG RESISTOR	330Ω 1/16W J	1	
	R185	RK73HB1J331J	MG RESISTOR	330Ω 1/16W J	1	
	R186	RK73HB1J331J	MG RESISTOR	330Ω 1/16W J	1	
	R187	RK73HB1J331J	MG RESISTOR	330Ω 1/16W J	1	
	R188	RK73HB1J331J	MG RESISTOR	330Ω 1/16W J	1	
	R190	RK73HH1J622D	MG RESISTOR	6.2kΩ 1/16W D	1	K0,E1,X1,E2
	R191	RK73HH1J363D	MG RESISTOR	36kΩ 1/16W D	1	K0,E1,X1,E2
	R192	RK73HB1J103J	MG RESISTOR	10kΩ 1/16W J	1	K1
	R193	RK73HB1J752J	MG RESISTOR	7.5kΩ 1/16W J	1	K1
	R194	RK73HH1J153D	MG RESISTOR	15kΩ 1/16W D	1	K1
	R195	RK73HH1J102D	MG RESISTOR	1kΩ 1/16W D	1	K1
	R196	RK73HB1J103J	MG RESISTOR	10kΩ 1/16W J	1	K1
	R199	RK73EB2E823J	MG RESISTOR	82kΩ 1/4W J	1	
	R200	RK73GB2A223J	MG RESISTOR	22kΩ 1/10W J	1	
	R201	RK73GB2A563J	MG RESISTOR	56kΩ 1/10W J	1	
	R202	RK73GB2A000J	MG RESISTOR	0Ω 1/10W J	1	
	R210	RK73HB1J000J	MG RESISTOR	0Ω 1/16W J	1	
	R221	RK73GB2A222J	MG RESISTOR	2.2kΩ 1/10W J	1	
	R223	RK73GB2A471J	MG RESISTOR	470Ω 1/10W J	1	
	R224	RK73GB2A681J	MG RESISTOR	680Ω 1/10W J	1	
	R225	RK73GB2A101J	MG RESISTOR	100Ω 1/10W J	1	
	R226	RK73GB2A101J	MG RESISTOR	100Ω 1/10W J	1	
	R229	RK73HB1J222J	MG RESISTOR	2.2kΩ 1/16W J	1	
	R231	RK73HB1J124J	MG RESISTOR	120kΩ 1/16W J	1	
	R232	RK73HB1J122J	MG RESISTOR	1.2kΩ 1/16W J	1	
	R233	RK73HB1J122J	MG RESISTOR	1.2kΩ 1/16W J	1	
	R234	RK73HB1J124J	MG RESISTOR	120kΩ 1/16W J	1	
	R235	RK73HB1J333J	MG RESISTOR	33kΩ 1/16W J	1	
	R236	RK73HB1J822J	MG RESISTOR	8.2kΩ 1/16W J	1	
	R237	RK73HB1J103J	MG RESISTOR	10kΩ 1/16W J	1	
	R241	RK73HB1J103J	MG RESISTOR	10kΩ 1/16W J	1	
	R243	RK73HH1J243D	MG RESISTOR	24kΩ 1/16W D	1	
	R244	RK73HH1J103D	MG RESISTOR	10kΩ 1/16W D	1	
	R250	RK73GB2A101J	MG RESISTOR	100Ω 1/10W J	1	
	R251	RK73HB1J471J	MG RESISTOR	470Ω 1/16W J	1	
	R253	RK73HB1J223J	MG RESISTOR	22kΩ 1/16W J	1	
	R254	RK73HB1J223J	MG RESISTOR	22kΩ 1/16W J	1	
	R255	RK73HB1J471J	MG RESISTOR	470Ω 1/16W J	1	
	R256	RK73HB1J101J	MG RESISTOR	100Ω 1/16W J	1	
	R257	RK73GB2A472J	MG RESISTOR	4.7kΩ 1/10W J	1	
	R258	RK73GB2A472J	MG RESISTOR	4.7kΩ 1/10W J	1	
	R270	RK73HB1J331J	MG RESISTOR	330Ω 1/16W J	1	
	R272	RK73HB1J683J	MG RESISTOR	68kΩ 1/16W J	1	E1,E2
	R273	RK73HB1J103J	MG RESISTOR	10kΩ 1/16W J	1	E1,E2
	R274	RK73HB1J123J	MG RESISTOR	12kΩ 1/16W J	1	E1,E2
	R301	RK73HB1J333J	MG RESISTOR	33kΩ 1/16W J	1	
	R304	RK73EB2E160J	MG RESISTOR	16Ω 1/4W J	1	
	R305	RK73EB2E1R0J	MG RESISTOR	1Ω 1/4W J	1	
	R306	RK73HB1J432J	MG RESISTOR	4.3kΩ 1/16W J	1	
	R309	RK73GB2A223J	MG RESISTOR	22kΩ 1/10W J	1	
	R320	RK73HB1J223J	MG RESISTOR	22kΩ 1/16W J	1	
	R321	RK73GB2A101J	MG RESISTOR	100Ω 1/10W J	1	
	R322	RK73HB1J471J	MG RESISTOR	470Ω 1/16W J	1	
	R323	RK73GB2A472J	MG RESISTOR	4.7kΩ 1/10W J	1	
	R330	RK73HB1J471J	MG RESISTOR	470Ω 1/16W J	1	
	R331	RK73HB1J223J	MG RESISTOR	22kΩ 1/16W J	1	
	R332	RK73GB2A101J	MG RESISTOR	100Ω 1/10W J	1	
	R333	RK73GB2A472J	MG RESISTOR	4.7kΩ 1/10W J	1	
	R340	RK73HB1J223J	MG RESISTOR	22kΩ 1/16W J	1	
	R341	RK73HB1J471J	MG RESISTOR	470Ω 1/16W J	1	
	R342	RK73GB2A101J	MG RESISTOR	100Ω 1/10W J	1	
	R343	RK73GB2A472J	MG RESISTOR	4.7kΩ 1/10W J	1	
	R350	RK73HB1J471J	MG RESISTOR	470Ω 1/16W J	1	
	R351	RK73HB1J223J	MG RESISTOR	22kΩ 1/16W J	1	
	R352	RK73GB2A101J	MG RESISTOR	100Ω 1/10W J	1	
	R353	RK73GB2A472J	MG RESISTOR	4.7kΩ 1/10W J	1	
	R360	RK73GB2A223J	MG RESISTOR	22kΩ 1/10W J	1	
	R361	RK73HB1J333J	MG RESISTOR	33kΩ 1/16W J	1	
	R362	RK73GB2A472J	MG RESISTOR	4.7kΩ 1/10W J	1	
	R363	RK73HB1J223J	MG RESISTOR	22kΩ 1/16W J	1	
	R364	RK73GB2A472J	MG RESISTOR	4.7kΩ 1/10W J	1	
	R381	RK73GB2A000J	MG RESISTOR	0Ω 1/10W J	1	
	R382	RK73FB2B472J	MG RESISTOR	4.7kΩ 1/8W J	1	
	R400	RK73GB2A152J	MG RESISTOR	1.5kΩ 1/10W J	1	
	R410	RK73HB1J471J	MG RESISTOR	470Ω 1/16W J	1	
	R411	RK73HB1J473J	MG RESISTOR	47kΩ 1/16W J	1	
	R412	RK73HB1J473J	MG RESISTOR	47kΩ 1/16W J	1	
	R413	RK73HB1J103J	MG RESISTOR	10kΩ 1/16W J	1	
	R414	RK73HB1J223J	MG RESISTOR	22kΩ 1/16W J	1	
	R415	RK73HB1J272J	MG RESISTOR	2.7kΩ 1/16W J	1	
	R416	RK73HB1J102J	MG RESISTOR	1kΩ 1/16W J	1	
	R430	RK73HB1J473J	MG RESISTOR	47kΩ 1/16W J	1	E2
	R431	RK73HB1J102J	MG RESISTOR	1kΩ 1/16W J	1	E2
	R432	RK73HB1J103J	MG RESISTOR	10kΩ 1/16W J	1	E2
	R433	RK73HB1J000J	MG RESISTOR	0Ω 1/16W J	1	E2
	R434	RK73HB1J473J	MG RESISTOR	47kΩ 1/16W J	1	E2
	R435	RK73HB1J473J	MG RESISTOR	47kΩ 1/16W J	1	E2
	R436	RK73HB1J473J	MG RESISTOR	47kΩ 1/16W J	1	E2

MODEL	MARK	MODEL	MARK	MODEL	MARK	MODEL	MARK
DDX375BT	K0	DDX395	K1	DDX4018BT	E1	DDX4018BT	X1
DDX4018DAB	E2						

Safe	Symbol No.	Parts No.	Parts Name	Description	QTY	Local
	R437	RK73HB1J102J	MG RESISTOR	1kΩ 1/16W J	1	E2
	R438	RK73HB1J152J	MG RESISTOR	1.5kΩ 1/16W J	1	E2
	R439	RK73HB1J473J	MG RESISTOR	47kΩ 1/16W J	1	E2
	R440	RK73HB1J102J	MG RESISTOR	1kΩ 1/16W J	1	E2
	R441	RK73HB1J472J	MG RESISTOR	4.7kΩ 1/16W J	1	E2
	R442	RK73HB1J473J	MG RESISTOR	47kΩ 1/16W J	1	E2
	R444	RK73HB1J472J	MG RESISTOR	4.7kΩ 1/16W J	1	E2
	R445	RK73GB2A2R2J	MG RESISTOR	2.2Ω 1/10W J	1	E2
	R448	RK73HB1J472J	MG RESISTOR	4.7kΩ 1/16W J	1	E2
	R450	RK73HB1J472J	MG RESISTOR	4.7kΩ 1/16W J	1	E2
	R452	RK73HB1J472J	MG RESISTOR	4.7kΩ 1/16W J	1	E2
	R453	RK73HB1J472J	MG RESISTOR	4.7kΩ 1/16W J	1	E2
	R454	RK73HB1J472J	MG RESISTOR	4.7kΩ 1/16W J	1	E2
	R455	RK73HB1J472J	MG RESISTOR	4.7kΩ 1/16W J	1	E2
	R456	RK73HB1J472J	MG RESISTOR	4.7kΩ 1/16W J	1	E2
	R470	RK73GB2A000J	MG RESISTOR	0Ω 1/10W J	1	K0,K1
	R471	RK73GB2A105J	MG RESISTOR	1MΩ 1/10W J	1	E1,X1,E2
	R473	RK73GB2A000J	MG RESISTOR	0Ω 1/10W J	1	K0,K1
	R474	RK73GB2A000J	MG RESISTOR	0Ω 1/10W J	1	K0,K1
	R475	RK73HB1J105J	MG RESISTOR	1MΩ 1/16W J	1	E1,X1,E2
	R479	RK73GB2A000J	MG RESISTOR	0Ω 1/10W J	1	
	R480	RK73GB2A000J	MG RESISTOR	0Ω 1/10W J	1	
	R481	RK73HB1J000J	MG RESISTOR	0Ω 1/16W J	1	
	R482	RK73HB1J000J	MG RESISTOR	0Ω 1/16W J	1	
	R483	RK73HB1J000J	MG RESISTOR	0Ω 1/16W J	1	
	R484	RK73HH1J151D	MG RESISTOR	150Ω 1/16W D	1	
	R485	RK73HH1J151D	MG RESISTOR	150Ω 1/16W D	1	
	R486	RK73HH1J151D	MG RESISTOR	150Ω 1/16W D	1	
	R487	RK73HH1J151D	MG RESISTOR	150Ω 1/16W D	1	
	R489	RK73HB1J000J	MG RESISTOR	0Ω 1/16W J	1	
	R490	RK73HB1J000J	MG RESISTOR	0Ω 1/16W J	1	
	R500	RK73HB1J470J	MG RESISTOR	47Ω 1/16W J	1	
	R501	RK73HH1J302D	MG RESISTOR	3kΩ 1/16W D	1	
	R502	RK73HB1J200J	MG RESISTOR	20Ω 1/16W J	1	
	R503	RK73HH1J562D	MG RESISTOR	5.6kΩ 1/16W D	1	
	R505	RK73HH1J513D	MG RESISTOR	51kΩ 1/16W D	1	
	R506	RK73PB2H100J	MG RESISTOR	10Ω 1/2W J	1	
	R508	RK73EB2E000J	MG RESISTOR	0Ω 1/4W J	1	
	R510	RK73GB2A000J	MG RESISTOR	0Ω 1/10W J	1	
	R511	RK73GB2A000J	MG RESISTOR	0Ω 1/10W J	1	
	R512	RK73GH2A133D	MG RESISTOR	13kΩ 1/10W D	1	
	R513	RK73GH2A202D	MG RESISTOR	2kΩ 1/10W D	1	
	R514	RK73GH2A433D	MG RESISTOR	43kΩ 1/10W D	1	
	R515	RK73GH2A822D	MG RESISTOR	8.2Ω 1/10W D	1	
	R540	RK73HB1J103J	MG RESISTOR	10kΩ 1/16W J	1	
	R541	RK73HH1J393D	MG RESISTOR	39kΩ 1/16W D	1	
	R542	RK73HB1J200J	MG RESISTOR	20Ω 1/16W J	1	
	R543	RK73HH1J183D	MG RESISTOR	18kΩ 1/16W D	1	
	R544	RK73HH1J393D	MG RESISTOR	39kΩ 1/16W D	1	
	R545	RK73HH1J683D	MG RESISTOR	68kΩ 1/16W D	1	
	R546	RK73PB2H100J	MG RESISTOR	10Ω 1/2W J	1	
	R548	RK73HB1J332J	MG RESISTOR	3.3kΩ 1/16W J	1	
	R580	RK73HH1J393D	MG RESISTOR	39kΩ 1/16W D	1	
	R581	RK73HH1J152D	MG RESISTOR	1.5kΩ 1/16W D	1	
	R582	RK73HH1J104D	MG RESISTOR	100kΩ 1/16W D	1	
	R583	RK73HH1J103D	MG RESISTOR	10kΩ 1/16W D	1	
	R584	RK73PB2H100J	MG RESISTOR	10Ω 1/2W J	1	
	R585	RK73HH1J394D	MG RESISTOR	390kΩ 1/16W D	1	
	R586	RK73HB1J000J	MG RESISTOR	0Ω 1/16W J	1	
	R587	RK73HH1J164D	MG RESISTOR	160kΩ 1/16W D	1	
	R588	RK73HB1J000J	MG RESISTOR	0Ω 1/16W J	1	
	R589	RK73HB1J4R7J	MG RESISTOR	4.7Ω 1/16W J	1	
	R591	RK73HH1J563D	MG RESISTOR	56kΩ 1/16W D	1	
	R592	RZ73F0AK62LJ	RESISTOR	0.062Ω 1/3W D	1	
	R593	RK73EB2E560J	MG RESISTOR	56Ω 1/4W J	1	
	R594	RK73HB1J101J	MG RESISTOR	100Ω 1/16W J	1	
	R601	RK73GB2A240J	MG RESISTOR	24Ω 1/10W J	1	K0,K1,E1,X1
	R602	RK73GB2A474J	MG RESISTOR	470kΩ 1/10W J	1	K0,K1,E1,X1
	R603	RK73GB2A474J	MG RESISTOR	470kΩ 1/10W J	1	K0,K1,E1,X1
	R608	RK73GB2A222J	MG RESISTOR	2.2kΩ 1/10W J	1	K0,K1,E1,X1
	R609	RK73GB2A222J	MG RESISTOR	2.2kΩ 1/10W J	1	K0,K1,E1,X1
	R610	RK73GB2A103J	MG RESISTOR	10kΩ 1/10W J	1	K0,K1,E1,X1
	R611	RK73GB2A471J	MG RESISTOR	470Ω 1/10W J	1	K0,K1,E1,X1
	R613	RK73GB2A470J	MG RESISTOR	47Ω 1/10W J	1	K0,K1,E1,X1
	R614	RK73GB2A470J	MG RESISTOR	47Ω 1/10W J	1	K0,K1,E1,X1
	R615	RK73HB1J470J	MG RESISTOR	47Ω 1/16W J	1	K0,K1,E1,X1
	R617	RK73GB2A000J	MG RESISTOR	0Ω 1/10W J	1	K0,K1
	R617	RK73GB2A150J	MG RESISTOR	15Ω 1/10W J	1	E1,X1
	R618	RK73GB2A000J	MG RESISTOR	0Ω 1/10W J	1	K0,K1,E1,X1
	R619	RK73GB2A000J	MG RESISTOR	0Ω 1/10W J	1	K0,K1,E1,X1
	R620	RK73GB2A000J	MG RESISTOR	0Ω 1/10W J	1	K0,K1,E1,X1
	R621	RK73GB2A102J	MG RESISTOR	1kΩ 1/10W J	1	K0,K1,E1,X1
	R622	RK73GB2A102J	MG RESISTOR	1kΩ 1/10W J	1	K0,K1,E1,X1
	R623	RK73EB2E000J	MG RESISTOR	0Ω 1/4W J	1	K0,K1,E1,X1
	R624	RK73GB2A000J	MG RESISTOR	0Ω 1/10W J	1	K0,K1,E1,X1
	R625	RK73HB1J000J	MG RESISTOR	0Ω 1/16W J	1	K0,K1,E1,X1
	R626	RK73GB2A000J	MG RESISTOR	0Ω 1/10W J	1	K0,K1,E1,X1
	R627	RK73GB2A000J	MG RESISTOR	0Ω 1/10W J	1	K0,K1,E1,X1
	R628	RK73HB1J223J	MG RESISTOR	22kΩ 1/16W J	1	K0,K1,E1,X1
	R631	RK73GB2A000J	MG RESISTOR	0Ω 1/10W J	1	K0,K1,E1,X1
	R632	RK73HB1J000J	MG RESISTOR	0Ω 1/16W J	1	K0,K1,E1,X1
	R634	RK73HB1J000J	MG RESISTOR	0Ω 1/16W J	1	K0,K1,E1,X1

MODEL	MARK	MODEL	MARK	MODEL	MARK	MODEL	MARK
DDX375BT	K0	DDX395	K1	DDX4018BT	E1	DDX4018BT	X1
DDX4018DAB	E2						

Safe	Symbol No.	Parts No.	Parts Name	Description	QTY	Local
	R635	RK73E0HZ000J	MG RESISTOR		1	K0,K1,E1,X1
	R650	RK73GB2A470J	MG RESISTOR	47Ω 1/10W J	1	
	R651	RK73GB2A470J	MG RESISTOR	47Ω 1/10W J	1	
	R652	RK73GB2A470J	MG RESISTOR	47Ω 1/10W J	1	
	R653	RK73GB2A000J	MG RESISTOR	0Ω 1/10W J	1	E2
	R720	RK73HB1J473J	MG RESISTOR	47kΩ 1/16W J	1	
	R721	RK73HB1J474J	MG RESISTOR	470kΩ 1/16W J	1	
	R722	RK73HB1J473J	MG RESISTOR	47kΩ 1/16W J	1	
	R723	RK73HB1J473J	MG RESISTOR	47kΩ 1/16W J	1	
	R725	RK73HB1J123J	MG RESISTOR	12kΩ 1/16W J	1	
	R726	RK73HB1J123J	MG RESISTOR	12kΩ 1/16W J	1	
	R728	RK73HB1J753J	MG RESISTOR	75kΩ 1/16W J	1	
	R729	RK73HB1J753J	MG RESISTOR	75kΩ 1/16W J	1	E1,X1,E2
	R730	RK73HB1J753J	MG RESISTOR	75kΩ 1/16W J	1	K0,K1
	R731	RK73HB1J223J	MG RESISTOR	22kΩ 1/16W J	1	
	R732	RK73HB1J753J	MG RESISTOR	75kΩ 1/16W J	1	
	R733	RK73HB1J753J	MG RESISTOR	75kΩ 1/16W J	1	E1,X1,E2
	R734	RK73HB1J753J	MG RESISTOR	75kΩ 1/16W J	1	K0,K1
	R734	RK73HB1J223J	MG RESISTOR	22kΩ 1/16W J	1	E1,E2
	R734	RK73HB1J154J	MG RESISTOR	150kΩ 1/16W J	1	X1
	R735	RK73HB1J473J	MG RESISTOR	47kΩ 1/16W J	1	
	R736	RK73HB1J473J	MG RESISTOR	47kΩ 1/16W J	1	
	R738	RK73HB1J332J	MG RESISTOR	3.3kΩ 1/16W J	1	
	R739	RK73HB1J101J	MG RESISTOR	100Ω 1/16W J	1	
	R741	RK73HB1J102J	MG RESISTOR	1kΩ 1/16W J	1	
	R742	RK73HB1J102J	MG RESISTOR	1kΩ 1/16W J	1	
	R743	RK73GB2A753J	MG RESISTOR	75kΩ 1/10W J	1	
	R745	RK73HB1J473J	MG RESISTOR	47kΩ 1/16W J	1	
	R746	RK73HB1J473J	MG RESISTOR	47kΩ 1/16W J	1	
	R747	RK73HB1J473J	MG RESISTOR	47kΩ 1/16W J	1	
	R748	RK73HB1J123J	MG RESISTOR	12kΩ 1/16W J	1	
	R749	RK73HB1J101J	MG RESISTOR	100Ω 1/16W J	1	
	R750	RK73HB1J153J	MG RESISTOR	15kΩ 1/16W J	1	
	R751	RK73HB1J101J	MG RESISTOR	100Ω 1/16W J	1	
	R752	RK73HB1J102J	MG RESISTOR	1kΩ 1/16W J	1	
	R753	RK73HB1J223J	MG RESISTOR	22kΩ 1/16W J	1	
	R754	RK73HB1J124J	MG RESISTOR	120kΩ 1/16W J	1	K0,K1,E1,X1
	R754	RK73HB1J753J	MG RESISTOR	75kΩ 1/16W J	1	E2
	R755	RK73HB1J154J	MG RESISTOR	150kΩ 1/16W J	1	K0,K1,E1,X1
	R756	RK73HB1J753J	MG RESISTOR	75kΩ 1/16W J	1	
	R757	RK73HB1J103J	MG RESISTOR	10kΩ 1/16W J	1	K0,K1
	R758	RK73GB2A154J	MG RESISTOR	150kΩ 1/10W J	1	
	R759	RK73HB1J104J	MG RESISTOR	100kΩ 1/16W J	1	
	R760	RK73HB1J101J	MG RESISTOR	100Ω 1/16W J	1	
	R761	RK73HB1J473J	MG RESISTOR	47kΩ 1/16W J	1	
	R762	RK73HB1J101J	MG RESISTOR	100Ω 1/16W J	1	
	R763	RK73HB1J101J	MG RESISTOR	100Ω 1/16W J	1	
	R764	RK73HB1J473J	MG RESISTOR	47kΩ 1/16W J	1	
	R765	RK73HB1J472J	MG RESISTOR	4.7kΩ 1/16W J	1	
	R766	RK73HB1J101J	MG RESISTOR	100Ω 1/16W J	1	
	R767	RK73GB2A473J	MG RESISTOR	47kΩ 1/10W J	1	
	R768	RK73HB1J473J	MG RESISTOR	47kΩ 1/16W J	1	
	R769	RK73HB1J101J	MG RESISTOR	100Ω 1/16W J	1	
	R770	RK73HB1J473J	MG RESISTOR	47kΩ 1/16W J	1	
	R771	RK73HB1J101J	MG RESISTOR	100Ω 1/16W J	1	
	R772	RK73HB1J473J	MG RESISTOR	47kΩ 1/16W J	1	
	R773	RK73HB1J101J	MG RESISTOR	100Ω 1/16W J	1	
	R774	RK73HB1J473J	MG RESISTOR	47kΩ 1/16W J	1	K1
	R775	RK73HB1J753J	MG RESISTOR	75kΩ 1/16W J	1	K0,E1,X1,E2
	R776	RK73HB1J680J	MG RESISTOR	68Ω 1/16W J	1	
	R779	RK73HB1J753J	MG RESISTOR	75kΩ 1/16W J	1	
	R780	RK73HB1J101J	MG RESISTOR	100Ω 1/16W J	1	
	R781	RK73HB1J472J	MG RESISTOR	4.7kΩ 1/16W J	1	
	R784	RK73HB1J472J	MG RESISTOR	4.7kΩ 1/16W J	1	
	R787	RK73HB1J101J	MG RESISTOR	100Ω 1/16W J	1	
	R788	RK73HB1J101J	MG RESISTOR	100Ω 1/16W J	1	
	R789	RK73HB1J473J	MG RESISTOR	47kΩ 1/16W J	1	
	R790	RK73HB1J101J	MG RESISTOR	100Ω 1/16W J	1	
	R791	RK73HB1J101J	MG RESISTOR	100Ω 1/16W J	1	
	R792	RK73GB2A272J	MG RESISTOR	2.7kΩ 1/10W J	1	
	R793	RK73GB2A272J	MG RESISTOR	2.7kΩ 1/10W J	1	
	R794	RK73HB1J473J	MG RESISTOR	47kΩ 1/16W J	1	
	R795	RK73HB1J101J	MG RESISTOR	100Ω 1/16W J	1	
	R799	RK73HB1J222J	MG RESISTOR	2.2kΩ 1/16W J	1	
	R800	RK73HB1J101J	MG RESISTOR	100Ω 1/16W J	1	
	R801	RK73HB1J472J	MG RESISTOR	4.7kΩ 1/16W J	1	
	R802	RK73HB1J104J	MG RESISTOR	100kΩ 1/16W J	1	
	R803	RK73HB1J473J	MG RESISTOR	47kΩ 1/16W J	1	
	R804	RK73HB1J473J	MG RESISTOR	47kΩ 1/16W J	1	X1
	R805	RK73HB1J753J	MG RESISTOR	75kΩ 1/16W J	1	K0,K1,E1,E2
	R806	RK73HB1J473J	MG RESISTOR	47kΩ 1/16W J	1	E1,X1,E2
	R807	RK73HB1J753J	MG RESISTOR	75kΩ 1/16W J	1	K0,K1
	R809	RK73HB1J106J	MG RESISTOR	10MΩ 1/16W J	1	
	R811	RK73HB1J000J	MG RESISTOR	0Ω 1/16W J	1	
	R812	RK73HB1J101J	MG RESISTOR	100Ω 1/16W J	1	
	R814	RK73HB1J470J	MG RESISTOR	47Ω 1/16W J	1	
	R815	RK73HB1J470J	MG RESISTOR	47Ω 1/16W J	1	
	R816	RK73HB1J470J	MG RESISTOR	47Ω 1/16W J	1	
	R817	RK73HB1J470J	MG RESISTOR	47Ω 1/16W J	1	
	R818	RK73HB1J470J	MG RESISTOR	47Ω 1/16W J	1	

MODEL	MARK	MODEL	MARK	MODEL	MARK	MODEL	MARK
DDX375BT	K0	DDX395	K1	DDX4018BT	E1	DDX4018BT	X1
DDX4018DAB	E2						

Safe	Symbol No.	Parts No.	Parts Name	Description	QTY	Local
	R819	RK73HB1J470J	MG RESISTOR	47Ω 1/16W J	1	
	R820	RK73HB1J101J	MG RESISTOR	100Ω 1/16W J	1	
	R821	RK73HB1J101J	MG RESISTOR	100Ω 1/16W J	1	
	R822	RK73HB1J470J	MG RESISTOR	47Ω 1/16W J	1	
	R823	RK73HB1J470J	MG RESISTOR	47Ω 1/16W J	1	
	R830	RK73HB1J473J	MG RESISTOR	47kΩ 1/16W J	1	
	R831	RK73HB1J223J	MG RESISTOR	22kΩ 1/16W J	1	
	R832	RK73GB2A223J	MG RESISTOR	22kΩ 1/10W J	1	
	R840	RK73HB1J473J	MG RESISTOR	47kΩ 1/16W J	1	
	R841	RK73HB1J272J	MG RESISTOR	2.7kΩ 1/16W J	1	
	R842	RK73GB2A272J	MG RESISTOR	2.7kΩ 1/10W J	1	K0,K1
	R843	RK73HB1J101J	MG RESISTOR	100Ω 1/16W J	1	K0,K1
	R844	RK73HB1J473J	MG RESISTOR	47kΩ 1/16W J	1	K0,K1
	R845	RK73HB1J272J	MG RESISTOR	2.7kΩ 1/16W J	1	K0,K1
	R846	RK73HB1J101J	MG RESISTOR	100Ω 1/16W J	1	K0,K1
	R847	RK73HB1J101J	MG RESISTOR	100Ω 1/16W J	1	K0,K1
	R860	RK73HB1J470J	MG RESISTOR	47Ω 1/16W J	1	
	R861	RK73HH1J513D	MG RESISTOR	51kΩ 1/16W D	1	
	R862	RK73HB1J200J	MG RESISTOR	20Ω 1/16W J	1	
	R863	RK73HH1J163D	MG RESISTOR	16kΩ 1/16W D	1	
	R864	RK73HH1J513D	MG RESISTOR	51kΩ 1/16W D	1	
	R865	RK73PB2H100J	MG RESISTOR	10Ω 1/2W J	1	
	R866	RK73GB2A000J	MG RESISTOR	0Ω 1/10W J	1	
	R890	RK73HH1J123D	MG RESISTOR	12kΩ 1/16W D	1	
	R900	RK73GH2A303D	MG RESISTOR	30kΩ 1/10W D	1	
	R901	RK73GH2A273D	MG RESISTOR	27kΩ 1/10W D	1	K0,E1,X1,E2
	R901	RK73GH2A363D	MG RESISTOR	36kΩ 1/10W D	1	K1
	R902	RK73GH2A103D	MG RESISTOR	10kΩ 1/10W D	1	
	R903	RK73GH2A332D	MG RESISTOR	3.3kΩ 1/10W D	1	K0,E1,X1,E2
	R903	RK73GH2A622D	MG RESISTOR	6.2kΩ 1/10W D	1	K1
	R904	RK73EB2E100J	MG RESISTOR	10Ω 1/4W J	1	
	R921	RK73EB2E000J	MG RESISTOR	0Ω 1/4W J	1	
	R922	RK73GB2A103J	MG RESISTOR	10kΩ 1/10W J	1	
	R923	RK73GB2A223J	MG RESISTOR	22kΩ 1/10W J	1	
	R924	RK73GB2A471J	MG RESISTOR	470Ω 1/10W J	1	
	R930	RK73HB1J153J	MG RESISTOR	15kΩ 1/16W J	1	
	R931	RK73HB1J104J	MG RESISTOR	100kΩ 1/16W J	1	
	R932	RK73HB1J912J	MG RESISTOR	9.1kΩ 1/16W J	1	
	R933	RK73HB1J000J	MG RESISTOR	0Ω 1/16W J	1	E1,X1,E2
	R934	RK73HB1J101J	MG RESISTOR	100Ω 1/16W J	1	
	R936	RK73HB1J101J	MG RESISTOR	100Ω 1/16W J	1	
	R950	RK73HH1J224D	MG RESISTOR	220kΩ 1/16W D	1	
	R951	RK73GB2A224J	MG RESISTOR	220kΩ 1/10W J	1	
	R952	RK73HB1J224J	MG RESISTOR	220kΩ 1/16W J	1	
	R953	RK73EB2E153J	MG RESISTOR	15kΩ 1/4W J	1	
	R954	RK73HB1J304J	MG RESISTOR	300kΩ 1/16W J	1	
	R955	RK73HB1J304J	MG RESISTOR	300kΩ 1/16W J	1	
	R956	RK73EB2E102J	MG RESISTOR	1kΩ 1/4W J	1	
	R957	RK73EB2E102J	MG RESISTOR	1kΩ 1/4W J	1	
	R958	RK73EB2E102J	MG RESISTOR	1kΩ 1/4W J	1	
	R959	RK73HB1J623J	MG RESISTOR	62kΩ 1/16W J	1	
	R960	RK73HB1J101J	MG RESISTOR	100Ω 1/16W J	1	
	R970	RK73HH1J513D	MG RESISTOR	51kΩ 1/16W D	1	
	R971	RK73HH1J104D	MG RESISTOR	100kΩ 1/16W D	1	
	R972	RK73GH2A333D	MG RESISTOR	33kΩ 1/10W D	1	
	R973	RK73HH1J304D	MG RESISTOR	300kΩ 1/16W D	1	
	R974	RK73GH2A304D	MG RESISTOR	300kΩ 1/10W D	1	
	R975	RK73HB1J224J	MG RESISTOR	220kΩ 1/16W J	1	
	R976	RK73HB1J000J	MG RESISTOR	0Ω 1/16W J	1	
	R977	RK73HH1J104D	MG RESISTOR	100kΩ 1/16W D	1	
	R978	RK73HH1J154D	MG RESISTOR	150kΩ 1/16W D	1	
	R979	RK73HB1J224J	MG RESISTOR	220kΩ 1/16W J	1	
	R980	RK73GB2A224J	MG RESISTOR	220kΩ 1/10W J	1	
	R981	RK73HB1J224J	MG RESISTOR	220kΩ 1/16W J	1	
	R990	RK73GB2A104J	MG RESISTOR	100kΩ 1/10W J	1	E1,X1,E2
	R991	RK73GB2A104J	MG RESISTOR	100kΩ 1/10W J	1	E1,X1,E2
	R992	RK73GH2A472D	MG RESISTOR	4.7kΩ 1/10W D	1	E1,X1,E2
	R993	RK73GH2A472D	MG RESISTOR	4.7kΩ 1/10W D	1	E1,X1,E2
	R994	RK73EB2E511J	MG RESISTOR	510Ω 1/4W J	1	E1,X1,E2
	R995	RK73EB2E511J	MG RESISTOR	510Ω 1/4W J	1	E1,X1,E2
	R996	RK73GB2A152J	MG RESISTOR	1.5kΩ 1/10W J	1	E1,X1,E2
	R997	RK73GB2A152J	MG RESISTOR	1.5kΩ 1/10W J	1	E1,X1,E2
	R998	RK73GB2A102J	MG RESISTOR	1kΩ 1/10W J	1	E1,X1,E2
	R999	RK73GB2A102J	MG RESISTOR	1kΩ 1/10W J	1	E1,X1,E2
	R1000	RK73GB2A681J	MG RESISTOR	680Ω 1/10W J	1	E1,X1,E2
	R1001	RK73GB2A681J	MG RESISTOR	680Ω 1/10W J	1	E1,X1,E2
	R1010	RK73HB1J124J	MG RESISTOR	120kΩ 1/16W J	1	
	R1011	RK73HB1J154J	MG RESISTOR	150kΩ 1/16W J	1	
	R1013	RK73HB1J473J	MG RESISTOR	47kΩ 1/16W J	1	
	R1014	RK73HB1J124J	MG RESISTOR	120kΩ 1/16W J	1	K0,E1,X1,E2
	R1015	RK73HB1J154J	MG RESISTOR	150kΩ 1/16W J	1	K0,E1,X1,E2
	R1015	RK73HB1J753J	MG RESISTOR	75kΩ 1/16W J	1	K1
	R1016	RK73FB2B000J	MG RESISTOR	0Ω 1/8W J	1	K0,K1
	R1017	RK73FB2B000J	MG RESISTOR	0Ω 1/8W J	1	K0,K1
	R1018	RK73FB2B000J	MG RESISTOR	0Ω 1/8W J	1	K0,K1
	R1019	RK73FB2B000J	MG RESISTOR	0Ω 1/8W J	1	K0,K1
	R1034	RK73HB1J473J	MG RESISTOR	47kΩ 1/16W J	1	
	R1035	RK73GB2A103J	MG RESISTOR	10kΩ 1/10W J	1	
	R1047	RK73HH1J100D	MG RESISTOR	10Ω 1/16W D	1	
	R1053	RK73EB2E000J	MG RESISTOR	0Ω 1/4W J	1	
	R1056	RK73GB2A102J	MG RESISTOR	1kΩ 1/10W J	1	
	R1057	RK73GB2A102J	MG RESISTOR	1kΩ 1/10W J	1	

MODEL	MARK	MODEL	MARK	MODEL	MARK	MODEL	MARK
DDX375BT	K0	DDX395	K1	DDX4018BT	E1	DDX4018BT	X1
DDX4018DAB	E2						

Safe	Symbol No.	Parts No.	Parts Name	Description	QTY	Local
	R1062	RK73GB2A000J	MG RESISTOR	0Ω 1/10W J	1	
	R1063	RK73GB2A000J	MG RESISTOR	0Ω 1/10W J	1	
	R1066	RK73GB2A000J	MG RESISTOR	0Ω 1/10W J	1	
	R1068	RK73GB2A000J	MG RESISTOR	0Ω 1/10W J	1	
	R1209	RK73EB2E000J	MG RESISTOR	0Ω 1/4W J	1	
	L60	L3D-0044-00	CHOKE COIL		1	
	L480	LR73Z0AD4R7M	CHIP INDUCTOR	4.7uH	1	
	L481	LR73Z0AD4R7M	CHIP INDUCTOR	4.7uH	1	
	L482	LR79Z0AG100M	CHIP INDUCTOR	10uH	1	
	L500	LR79Z0JA150M	CHIP INDUCTOR		1	
	L540	LR79Z0AV100M	CHIP INDUCTOR	10uH	1	
	L580	LR79Z0DE470M	CHIP INDUCTOR		1	
	L581	LB73G0ED-005	CHIP FERRITE		1	
	L582	LB73G0ED-005	CHIP FERRITE		1	
	L600	LR73Z0AD4R7M	CHIP INDUCTOR	4.7uH	1	
	L601	LR73Z0AD4R7M	CHIP INDUCTOR	4.7uH	1	
	L602	LK73G0BER12K	M.CHIP INDUCTOR		1	K0,K1,E1,X1
	L604	LK73G0BE1R8K	M.CHIP INDUCTOR		1	K0,K1,E1,X1
	L605	LK73G0BER39K	M.CHIP INDUCTOR		1	K0,K1,E1,X1
	L607	L1K-0001-00	BALUN TRANS		1	K0,K1,E1,X1
	L609	LK73G0BE100K	M.CHIP INDUCTOR		1	K0,K1,E1,X1
	L610	LK73G0BER15K	M.CHIP INDUCTOR		1	K0,K1,E1,X1
	L611	LK73G0BE82NK	M.CHIP INDUCTOR		1	K0,K1,E1,X1
	L720	LB73G0BD-006	CHIP FERRITE		1	
	L743	RK73HB1J101J	MG RESISTOR	100Ω 1/16W J	1	
	L744	RK73HB1J101J	MG RESISTOR	100Ω 1/16W J	1	
	L783	LB73H0BG-003	CHIP FERRITE		1	
	L786	LB73H0BG-003	CHIP FERRITE		1	
	L824	RK73HB1J101J	MG RESISTOR	100Ω 1/16W J	1	
	L825	RK73HB1J101J	MG RESISTOR	100Ω 1/16W J	1	
	L826	RK73HB1J101J	MG RESISTOR	100Ω 1/16W J	1	
	L827	RK73HB1J101J	MG RESISTOR	100Ω 1/16W J	1	
	L860	LR79Z0JA150M	CHIP INDUCTOR		1	
	L1010	LB73H0CC-003	CHIP FERRITE		1	
	L1011	LB73H0CC-003	CHIP FERRITE		1	
	L1012	LR73Z0AD4R7M	CHIP INDUCTOR	4.7uH	1	
	L1016	LK73Z0AK4R7M	M.CHIP INDUCTOR	4.7uH	1	E1,X1,E2
	L1017	LK73Z0AK4R7M	M.CHIP INDUCTOR	4.7uH	1	E1,X1,E2
	L1018	LK73Z0AK4R7M	M.CHIP INDUCTOR	4.7uH	1	E1,X1,E2
	L1019	LK73Z0AK4R7M	M.CHIP INDUCTOR	4.7uH	1	E1,X1,E2
	AT600	E3A-0388-00	ANTENNA CABLE		1	E2
	AT601	E6J-0006-00	JACK OTHERS		1	K0,K1,E1,X1
	CN60	QGA2501C1-02	W TO B CONNE	W-B (1-2)	1	K0,K1
	CN80	QGA2001C1-05	W TO B CONNE	W-B (1-5)	1	
	CN81	QGA1501F1-03	W TO B CONNE	W-B (1-3)	1	
	CN130	QGA2001C1-02	W TO B CONNE	W-B (1-2)	1	X1
	CN220	EC720AA-0508A	FFC FPC CONNE		1	
	CN410	QGA2501C1-02	W TO B CONNE	W-B (1-2)	1	
	CN480	EC720AA-0535A	FFC FPC CONNE		1	
	CN650	EC720AA-0560A	FFC FPC CONNE		1	
	CN652	EC720AA-0526A	FFC FPC CONNE		1	K0,K1
	CN654	EC720AA-0522A	FFC FPC CONNE		1	E1,X1,E2
△	F100	F53-0513-08	PATTERN FUSE	4A	1	
△	F130	F53-0513-08	PATTERN FUSE	4A	1	
△	F131	F53-0513-08	PATTERN FUSE	4A	1	
△	F270	F53-0513-08	PATTERN FUSE	4A	1	
△	F580	FZA10BF-1R0	FUSE (CC)	1A	1	
△	F920	FZA10BF-4R0	FUSE (CC)		1	
	FL80	L7K-0038-00	FILTER		1	
	J60	E5J-0139-00	R.RECEPTACLE		1	
	J100	QNS0291-001	3.5 JACK		1	E1,X1,E2
	J130	QNN0890-001	PIN JACK		1	
	J220	QNS0307-001	3.5 JACK		1	
	J270	QNN0889-001	PIN JACK		1	
	J600	G0K-0013-00	SPRING		1	K0,K1,E1,X1
	VA100	SDV1005E18//1	VARIATOR		1	E1,X1,E2
	VA101	SDV1005E18//1	VARIATOR		1	E1,X1,E2
	VA102	SDV1005A14//0	VARIATOR		1	E1,X1,E2
	VA103	SDV1005A14//0	VARIATOR		1	E1,X1,E2
	VA130	SDV1005E18//1	VARIATOR		1	X1
	VA131	SDV1005E18//1	VARIATOR		1	
	VA132	SDV1005E18//1	VARIATOR		1	
	VA220	SDV1005A14//0	VARIATOR		1	
	VA221	SDV1005A14//0	VARIATOR		1	
	VA250	SDV1005A14//0	VARIATOR		1	
	VA251	SDV1005A14//0	VARIATOR		1	
	VA320	SDV1005A14//0	VARIATOR		1	
	VA330	SDV1005A14//0	VARIATOR		1	
	VA340	SDV1005A14//0	VARIATOR		1	
	VA350	SDV1005A14//0	VARIATOR		1	
	VA410	SDV1005E18//1	VARIATOR		1	
	VA411	SDV1005A14//0	VARIATOR		1	
	VA606	NAF0024-001X	ESD SUPPRESSOR		1	
	VA1010	F0K-0145-00	SURGE ABSORBER		1	
	X600	L7J-0021-00	QUARTZ CRYSTAL		1	K0,K1,E1,X1
	X720	L7J-0123-00	QUARTZ CRYSTAL		1	
	X721	L7J-0105-00	QUARTZ CRYSTAL		1	
BT PWB ASSY (XJ5-001K-00) <XJ5>						
	C1301	CK73HXR1A104K	C CAPACITOR	0.1uF 10V K	1	

MODEL	MARK	MODEL	MARK	MODEL	MARK	MODEL	MARK
DDX375BT	K0	DDX395	K1	DDX4018BT	E1	DDX4018BT	X1
DDX4018DAB	E2						

Safe	Symbol No.	Parts No.	Parts Name	Description	QTY	Local	
	C1302	CK73HXR1A105K	C CAPACITOR	1uF 10V K	1		
	C1304	CK73GXR1H104K	C CAPACITOR	0.1uF 50V K	1		
	C1305	CK73FXR0J106K	C CAPACITOR	10uF 6.3V K	1		
	C1306	CK73HXR1C103K	C CAPACITOR	0.01uF 16V K	1		
	C1317	CK73HXR1A105K	C CAPACITOR	1uF 10V K	1		
	R1302	RK73GB2A000J	MG RESISTOR	0Ω 1/10W J	1		
	R1304	RK73HB1J000J	MG RESISTOR	0Ω 1/16W J	1		
	R1305	RK73HB1J220J	MG RESISTOR	22Ω 1/16W J	1		
	R1306	RK73HB1J103J	MG RESISTOR	10kΩ 1/16W J	1		
	R1307	RK73HB1J103J	MG RESISTOR	10kΩ 1/16W J	1		
	R1308	RK73HB1J470J	MG RESISTOR	47Ω 1/16W J	1		
	R1309	RK73HB1J470J	MG RESISTOR	47Ω 1/16W J	1		
	R1310	RK73HB1J470J	MG RESISTOR	47Ω 1/16W J	1		
	R1311	RK73HB1J470J	MG RESISTOR	47Ω 1/16W J	1		
	R1312	RK73HB1J220J	MG RESISTOR	22Ω 1/16W J	1		
	R1313	RK73HB1J220J	MG RESISTOR	22Ω 1/16W J	1		
	R1316	RK73HB1J470J	MG RESISTOR	47Ω 1/16W J	1		
	R1317	RK73GB2A470J	MG RESISTOR	47Ω 1/10W J	1		
	R1318	RK73GB2A470J	MG RESISTOR	47Ω 1/10W J	1		
	R1319	RK73GB2A470J	MG RESISTOR	47Ω 1/10W J	1		
	L1302	LR7320AD4R7M	CHIP INDUCTOR	4.7uH	1		
	A1301	W0C-0167-00	CIRCUIT MODULE		1		
	CN1301	EC720AA-0522A	FFC FPC CONNE		1		
	CN1302	EC720AA-0508A	FFC FPC CONNE		1		
	CONTROL PWB ASSY (XJ6-0620-10) <XJ6>						
	IC1700	PIC95603	IR DETECT UNIT		1		
	Q1700	LSCR523UBFS8	TRANSISTOR		1		
	Q1701	LSCR523UBFS8	TRANSISTOR		1		
	Q1702	LSCR523UBFS8	TRANSISTOR		1		
	Q1703	LTC014YEBFS8	DIGI TRANSISTOR		1		
	D1700	SML-D12V8WSPQ	LED		1		
	D1701	SML-D12V8WSPQ	LED		1		
	D1703	LTRBR8SF-8//0	LED		1		
	D1704	LTRBR8SF-8//0	LED		1		
	C1700	CK73HXR1H103K	C CAPACITOR	0.01uF 50V K	1		
	C1701	CK73HXR0J105K	C CAPACITOR	1uF 6.3V K	1		
	C1709	CK73GBB1H103K	C CAPACITOR	0.01uF 50V K	1		
	R1700	RK73HB1J241J	MG RESISTOR	240Ω 1/16W J	1		
	R1701	RK73HB1J161J	MG RESISTOR	160Ω 1/16W J	1		
	R1703	RK73GB2A112J	MG RESISTOR	1.1kΩ 1/10W J	1		
	R1704	RK73GB2A112J	MG RESISTOR	1.1kΩ 1/10W J	1		
	R1705	RK73FB2B132J	MG RESISTOR	1.3kΩ 1/8W J	1		
	R1706	RK73FB2B132J	MG RESISTOR	1.3kΩ 1/8W J	1		
	R1707	RK73HB1J473J	MG RESISTOR	47kΩ 1/16W J	1		
	R1708	RK73GH2A181D	MG RESISTOR	180Ω 1/10W D	1		
	R1710	RK73HB1J473J	MG RESISTOR	47kΩ 1/16W J	1		
	R1711	RK73GH2A181D	MG RESISTOR	180Ω 1/10W D	1		
	R1713	RK73HB1J473J	MG RESISTOR	47kΩ 1/16W J	1		
	R1714	RK73GH2A181D	MG RESISTOR	180Ω 1/10W D	1		
	R1717	RK73HB1J182J	MG RESISTOR	1.8kΩ 1/16W J	1		
	R1718	RK73HB1J242J	MG RESISTOR	2.4kΩ 1/16W J	1		
	R1719	RK73HB1J182J	MG RESISTOR	1.8kΩ 1/16W J	1		
	R1721	RK73GB2A112J	MG RESISTOR	1.1kΩ 1/10W J	1		
	R1722	RK73GB2A112J	MG RESISTOR	1.1kΩ 1/10W J	1		
	R1724	RK73GB2A000J	MG RESISTOR	0Ω 1/10W J	1		
	R1725	RK73GB2A000J	MG RESISTOR	0Ω 1/10W J	1		
	CN1700	EC720AA-0515A	FFC FPC CONNE		1		
	JS1700	QSW1279-001	ROTARY ENCODER		1		
	S1700	S7A-0001-00	TACTILE PUSH SW		1		
	S1701	S7A-0001-00	TACTILE PUSH SW		1		
	S1702	S7A-0001-00	TACTILE PUSH SW		1		
	S1703	S7A-0001-00	TACTILE PUSH SW		1		
	S1704	S7A-0001-00	TACTILE PUSH SW		1		
	VIDEO PWB ASSY (XJ8-047K-0x) <XJ8>						
	IC1400	MFI337S395901	MCU IC		1		
	IC1500	BU15TD3WG	MOS IC		1		
	IC1550	BD001A5WEFJ	ANALOG IC		1		
	IC1560	BU33TD3WG	MOS IC		1		
	IC1600	ML86250LAZ07F	MOS IC	BGA	1		
	IC1880	BA2904FVM	MOS IC		1		
	IC1881	NJM11100F1	ANALOG IC		1		
	IC1901	M12L25116A6T2	DRAM IC		1		
	IC1902	M12L25116A6T2	DRAM IC		1		
	IC1940	W3F-0312-00	ROM IC		1		
	IC1940	W3F-0313-00	ROM IC		1	K0,E1,X1,E2 K1	
	IC2000	STA1090	MPU IC	BGA	1		
	Q1400	KTA2014P/Y/	TRANSISTOR		1		
	Q1580	KTA2014P/Y/	TRANSISTOR		1		
	Q1581	KRC407E-P	DIGI TRANSISTOR		1		
	Q1619	KRC402P	DIGI TRANSISTOR		1		
	Q1800	KTC4075P/Y/	TRANSISTOR		1		
	Q1801	KTC4075P/Y/	TRANSISTOR		1		
	Q1802	KTC4075P/Y/	TRANSISTOR		1		
	Q1803	KTC4075P/Y/	TRANSISTOR		1		
	Q1804	KTC4075P/Y/	TRANSISTOR		1		
	Q1805	KTC4075P/Y/	TRANSISTOR		1		
	Q1806	KTC4075P/Y/	TRANSISTOR		1		
	Q1807	KTC4075P/Y/	TRANSISTOR		1		
	Q1808	KTC4075P/Y/	TRANSISTOR		1		
	Q1810	KRC407E-P	DIGI TRANSISTOR		1		
	Q1811	KRC407E-P	DIGI TRANSISTOR		1		

MODEL	MARK	MODEL	MARK	MODEL	MARK	MODEL	MARK
DDX375BT	K0	DDX395	K1	DDX4018BT	E1	DDX4018BT	X1
DDX4018DAB	E2						

Safe	Symbol No.	Parts No.	Parts Name	Description	QTY	Local
	Q1812	KRC407E-P	DIGI TRANSISTOR		1	
	Q1813	KRC407E-P	DIGI TRANSISTOR		1	
	Q1814	KTA2014P/Y/	TRANSISTOR		1	
	Q1815	KTC4075P/Y/	TRANSISTOR		1	
	Q1880	KTC4075P/Y/	TRANSISTOR		1	
	Q1881	KTA2014P/Y/	TRANSISTOR		1	
	Q1882	KTC4075P/Y/	TRANSISTOR		1	
	Q1883	KRC407E-P	DIGI TRANSISTOR		1	
	Q1884	KRA307E-P	TRANSISTOR		1	
	Q1885	KRC407E-P	DIGI TRANSISTOR		1	
	Q1886	KTC4075P/Y/	TRANSISTOR		1	
	Q1887	KTC4075P/Y/	TRANSISTOR		1	
	Q1888	KRC407E-P	DIGI TRANSISTOR		1	
	D1550	SM5818PL	SCHOTTKY DIODE		1	
	D1794	RSB6.8SM	ZENER DIODE		1	
	D1795	RSB6.8SM	ZENER DIODE		1	
	D1796	RSB6.8SM	ZENER DIODE		1	
	D1797	RSB6.8SM	ZENER DIODE		1	
	D1881	UDZV13B	ZENER DIODE		1	
	D1882	UDZV18B	ZENER DIODE		1	
	D1883	1SS355VM	DIODE		1	
	D1992	RSB6.8SM	ZENER DIODE		1	
	C1400	CK73HXR1A104K	C CAPACITOR	0.1uF 10V K	1	
	C1500	CK73HXR1A105K	C CAPACITOR	1uF 10V K	1	
	C1501	CK73HXR1A105K	C CAPACITOR	1uF 10V K	1	
	C1550	CK73FXR0J106K	C CAPACITOR	10uF 6.3V K	1	
	C1551	CK73HXR1H103K	C CAPACITOR	0.01uF 50V K	1	
	C1553	CK73FXR1C475K	C CAPACITOR	4.7uF 16V K	1	
	C1554	CK73HXR1A105K	C CAPACITOR	1uF 10V K	1	
	C1555	CK73HXR1A105K	C CAPACITOR	1uF 10V K	1	
	C1561	CK73HXR1A104K	C CAPACITOR	0.1uF 10V K	1	
	C1562	CK73FXR0J106K	C CAPACITOR	10uF 6.3V K	1	
	C1563	CK73FXR0J106K	C CAPACITOR	10uF 6.3V K	1	
	C1580	CK73GXR1H103K	C CAPACITOR	0.01uF 50V K	1	
	C1632	CK73HXR1A104K	C CAPACITOR	0.1uF 10V K	1	
	C1633	CK73HXR1A104K	C CAPACITOR	0.1uF 10V K	1	
	C1634	CK73HXR1A104K	C CAPACITOR	0.1uF 10V K	1	
	C1635	CK73HXR1A104K	C CAPACITOR	0.1uF 10V K	1	
	C1637	CK73HXR1A104K	C CAPACITOR	0.1uF 10V K	1	
	C1638	CK73HXR1A104K	C CAPACITOR	0.1uF 10V K	1	
	C1640	CK73HXR1A104K	C CAPACITOR	0.1uF 10V K	1	
	C1641	CK73HXR1A104K	C CAPACITOR	0.1uF 10V K	1	
	C1642	CK73HXR1A104K	C CAPACITOR	0.1uF 10V K	1	
	C1643	CK73HXR1A104K	C CAPACITOR	0.1uF 10V K	1	
	C1644	CK73HXR1A104K	C CAPACITOR	0.1uF 10V K	1	
	C1646	CK73GXR0J106K	C CAPACITOR	10uF 6.3V K	1	
	C1647	CK73GXR0J106K	C CAPACITOR	10uF 6.3V K	1	
	C1649	CK73GXR0J106K	C CAPACITOR	10uF 6.3V K	1	
	C1650	CK73GXR0J106K	C CAPACITOR	10uF 6.3V K	1	
	C1651	CK73GXR0J106K	C CAPACITOR	10uF 6.3V K	1	
	C1652	CK73GXR0J106K	C CAPACITOR	10uF 6.3V K	1	
	C1653	CK73HXR1H103K	C CAPACITOR	0.01uF 50V K	1	
	C1654	CC73HCH1H102J	C CAPACITOR	1000pF 50V J	1	
	C1656	CK73HXR1H103K	C CAPACITOR	0.01uF 50V K	1	
	C1663	CK73HXR1A105K	C CAPACITOR	1uF 10V K	1	
	C1664	CK73HXR1A105K	C CAPACITOR	1uF 10V K	1	
	C1665	CK73HXR1A105K	C CAPACITOR	1uF 10V K	1	
	C1666	CC73HCH1H120J	C CAPACITOR	12pF 50V J	1	
	C1667	CC73HCH1H120J	C CAPACITOR	12pF 50V J	1	
	C1668	CK73HXR1A105K	C CAPACITOR	1uF 10V K	1	
	C1669	CK73HXR1A105K	C CAPACITOR	1uF 10V K	1	
	C1671	CK73HXR1A105K	C CAPACITOR	1uF 10V K	1	
	C1672	CK73GXR0J106K	C CAPACITOR	10uF 6.3V K	1	
	C1673	CK73GXR0J106K	C CAPACITOR	10uF 6.3V K	1	
	C1674	CK73GXR0J106K	C CAPACITOR	10uF 6.3V K	1	
	C1675	CK73GXR0J106K	C CAPACITOR	10uF 6.3V K	1	
	C1677	CK73HXR1A104K	C CAPACITOR	0.1uF 10V K	1	
	C1678	CK73HXR1H472K	C CAPACITOR	4700pF 50V K	1	
	C1679	CK73GXR0J106K	C CAPACITOR	10uF 6.3V K	1	
	C1790	CC73HCH1H102J	C CAPACITOR	1000pF 50V J	1	
	C1791	CC73HCH1H102J	C CAPACITOR	1000pF 50V J	1	
	C1792	CC73HCH1H102J	C CAPACITOR	1000pF 50V J	1	
	C1793	CC73HCH1H102J	C CAPACITOR	1000pF 50V J	1	
	C1829	CK73GXR1H104K	C CAPACITOR	0.1uF 50V K	1	
	C1830	CK73HXR1A105K	C CAPACITOR	1uF 10V K	1	
	C1840	CK73FXR1E475K	C CAPACITOR	4.7uF 25V K	1	
	C1841	CK73HXR1A104K	C CAPACITOR	0.1uF 10V K	1	
	C1844	CK73HXR1C104K	C CAPACITOR	0.1uF 16V K	1	
	C1845	CK73HXR1C104K	C CAPACITOR	0.1uF 16V K	1	
	C1846	CK73HXR1C104K	C CAPACITOR	0.1uF 16V K	1	
	C1872	CK73FXR1C106K	C CAPACITOR	10uF 16V K	1	
	C1873	CK73GXR1H104K	C CAPACITOR	0.1uF 50V K	1	
	C1874	CK73GXR1E105K	C CAPACITOR	1uF 25V K	1	
	C1875	CC73HCH1H101J	C CAPACITOR	100pF 50V J	1	
	C1880	CK73HXR1H103K	C CAPACITOR	0.01uF 50V K	1	
	C1881	CK73HXR1H103K	C CAPACITOR	0.01uF 50V K	1	
	C1882	CK73GXR1H104K	C CAPACITOR	0.1uF 50V K	1	
	C1883	CK73FXR1E475K	C CAPACITOR	4.7uF 25V K	1	
	C1884	CK73GXR1E105K	C CAPACITOR	1uF 25V K	1	
	C1885	CK73GXR1E105K	C CAPACITOR	1uF 25V K	1	
	C1886	CK73GXR1E105K	C CAPACITOR	1uF 25V K	1	
	C1887	CK73GXR1H104K	C CAPACITOR	0.1uF 50V K	1	

MODEL	MARK	MODEL	MARK	MODEL	MARK	MODEL	MARK
DDX375BT	K0	DDX395	K1	DDX4018BT	E1	DDX4018BT	X1
DDX4018DAB	E2						

Safe	Symbol No.	Parts No.	Parts Name	Description	QTY	Local
	C1888	CK73GXR1H104K	C CAPACITOR	0.1uF 50V K	1	
	C1889	CK73GXR1E105K	C CAPACITOR	1uF 25V K	1	
	C1890	CK73GXR1H104K	C CAPACITOR	0.1uF 50V K	1	
	C1891	CK73FXR0J106K	C CAPACITOR	10uF 6.3V K	1	
	C1892	CK73HXR1A104K	C CAPACITOR	0.1uF 10V K	1	
	C1893	CK73HXR1A104K	C CAPACITOR	0.1uF 10V K	1	
	C1894	CK73HXR1A104K	C CAPACITOR	0.1uF 10V K	1	
	C1895	CK73FXR0J106K	C CAPACITOR	10uF 6.3V K	1	
	C1896	CK73HXR1A104K	C CAPACITOR	0.1uF 10V K	1	
	C1897	CK73HXR1A105K	C CAPACITOR	1uF 10V K	1	
	C1898	CK73HXR1A104K	C CAPACITOR	0.1uF 10V K	1	
	C1899	CK73FXR1E475K	C CAPACITOR	4.7uF 25V K	1	
	C1901	CK73FXR0J106K	C CAPACITOR	10uF 6.3V K	1	
	C1902	CK73GXR1H103K	C CAPACITOR	0.01uF 50V K	1	
	C1903	CK73HXR1H103K	C CAPACITOR	0.01uF 50V K	1	
	C1904	CK73HXR1H103K	C CAPACITOR	0.01uF 50V K	1	
	C1905	CK73GXR1H103K	C CAPACITOR	0.01uF 50V K	1	
	C1906	CK73HXR1H103K	C CAPACITOR	0.01uF 50V K	1	
	C1907	CK73GXR1H103K	C CAPACITOR	0.01uF 50V K	1	
	C1908	CK73GXR1H103K	C CAPACITOR	0.01uF 50V K	1	
	C1909	CK73GXR1H103K	C CAPACITOR	0.01uF 50V K	1	
	C1911	CK73FXR0J106K	C CAPACITOR	10uF 6.3V K	1	
	C1912	CK73HXR1H103K	C CAPACITOR	0.01uF 50V K	1	
	C1913	CK73GXR1H103K	C CAPACITOR	0.01uF 50V K	1	
	C1915	CK73HXR1H103K	C CAPACITOR	0.01uF 50V K	1	
	C1916	CK73GXR1H103K	C CAPACITOR	0.01uF 50V K	1	
	C1917	CK73GXR1H103K	C CAPACITOR	0.01uF 50V K	1	
	C1918	CK73GXR1H103K	C CAPACITOR	0.01uF 50V K	1	
	C1940	CK73FXR1C475K	C CAPACITOR	4.7uF 16V K	1	
	C1941	CK73HXR1A104K	C CAPACITOR	0.1uF 10V K	1	
	C1942	CK73HXR1A104K	C CAPACITOR	0.1uF 10V K	1	
	C1943	CK73HXR1A104K	C CAPACITOR	0.1uF 10V K	1	
	C1944	CK73HXR1A104K	C CAPACITOR	0.1uF 10V K	1	
	C2001	CK73FXR1C475K	C CAPACITOR	4.7uF 16V K	1	
	C2003	CK73HXR1A104K	C CAPACITOR	0.1uF 10V K	1	
	C2004	CK73HXR1A104K	C CAPACITOR	0.1uF 10V K	1	
	C2005	CK73HXR1A104K	C CAPACITOR	0.1uF 10V K	1	
	C2006	CK73HXR1A105K	C CAPACITOR	1uF 10V K	1	
	C2007	CK73HXR1H103K	C CAPACITOR	0.01uF 50V K	1	
	C2009	CK73HXR1A104K	C CAPACITOR	0.1uF 10V K	1	
	C2010	CK73HXR1A104K	C CAPACITOR	0.1uF 10V K	1	
	C2011	CK73HXR1A105K	C CAPACITOR	1uF 10V K	1	
	C2012	CK73HXR1H103K	C CAPACITOR	0.01uF 50V K	1	
	C2013	CK73HXR1A105K	C CAPACITOR	1uF 10V K	1	
	C2014	CK73HXR1A105K	C CAPACITOR	1uF 10V K	1	
	C2015	CK73HXR1A104K	C CAPACITOR	0.1uF 10V K	1	
	C2017	CK73HXR1A104K	C CAPACITOR	0.1uF 10V K	1	
	C2019	CC73HCH1H101J	C CAPACITOR	100pF 50V J	1	
	C2020	CK73FXR1C475K	C CAPACITOR	4.7uF 16V K	1	
	C2021	CK73HXR1A104K	C CAPACITOR	0.1uF 10V K	1	
	C2023	CK73HXR1H103K	C CAPACITOR	0.01uF 50V K	1	
	C2024	CK73HXR1H103K	C CAPACITOR	0.01uF 50V K	1	
	C2025	CK73HXR1A104K	C CAPACITOR	0.1uF 10V K	1	
	C2026	CK73HXR1A104K	C CAPACITOR	0.1uF 10V K	1	
	C2027	CK73HXR1A104K	C CAPACITOR	0.1uF 10V K	1	
	C2028	CK73HXR1A104K	C CAPACITOR	0.1uF 10V K	1	
	C2029	CK73HXR1A104K	C CAPACITOR	0.1uF 10V K	1	
	C2030	CK73HXR1A104K	C CAPACITOR	0.1uF 10V K	1	
	C2031	CK73HXR1A105K	C CAPACITOR	1uF 10V K	1	
	C2032	CK73HXR1A104K	C CAPACITOR	0.1uF 10V K	1	
	C2033	CK73HXR1A104K	C CAPACITOR	0.1uF 10V K	1	
	C2035	CC73HCH1H101J	C CAPACITOR	100pF 50V J	1	
	C2036	CK73HXR1A104K	C CAPACITOR	0.1uF 10V K	1	
	C2039	CK73GXR0J475K	C CAPACITOR	4.7uF 6.3V K	1	
	C2040	CK73HXR1A104K	C CAPACITOR	0.1uF 10V K	1	
	C2042	CC73HCH1H080D	C CAPACITOR	8pF 50V D	1	
	C2043	CC73HCH1H070D	C CAPACITOR	7pF 50V D	1	
	C2044	CK73GXR0J475K	C CAPACITOR	4.7uF 6.3V K	1	
	C2045	CC73HCH1H101J	C CAPACITOR	100pF 50V J	1	
	C2046	CK73GXR0J475K	C CAPACITOR	4.7uF 6.3V K	1	
	C2047	CC73HCH1H101J	C CAPACITOR	100pF 50V J	1	
	C2048	CK73FXR0J106K	C CAPACITOR	10uF 6.3V K	1	
	C2049	CK73HXR1H103K	C CAPACITOR	0.01uF 50V K	1	
	C2050	CK73FXR0J106K	C CAPACITOR	10uF 6.3V K	1	
	C2051	CK73HXR1H103K	C CAPACITOR	0.01uF 50V K	1	
	C2056	CK73HXR1H222K	C CAPACITOR	2200pF 50V K	1	
	C2057	CK73HXR1H103K	C CAPACITOR	0.01uF 50V K	1	
	C2058	CK73FXR0J106K	C CAPACITOR	10uF 6.3V K	1	
	C2059	CK73HXR0J474K	C CAPACITOR	0.47uF 6.3V K	1	
	C2060	CK73HXR0J474K	C CAPACITOR	0.47uF 6.3V K	1	
	C2063	CK73HXR1H103K	C CAPACITOR	0.01uF 50V K	1	
	C2064	CK73FXR0J106K	C CAPACITOR	10uF 6.3V K	1	
	C2067	CK73HXR1A104K	C CAPACITOR	0.1uF 10V K	1	
	C2072	CK73HXR1A105K	C CAPACITOR	1uF 10V K	1	
	C2073	CK73HXR1A105K	C CAPACITOR	1uF 10V K	1	
	C2080	SDV1005E18//2	VARISTOR		1	
	C2081	CK73HXR1A104K	C CAPACITOR	0.1uF 10V K	1	
	C2083	CK73HXR1H472K	C CAPACITOR	4700pF 50V K	1	
	C2094	CC73HCH1H101J	C CAPACITOR	100pF 50V J	1	
	C2095	CC73HCH1H101J	C CAPACITOR	100pF 50V J	1	

MODEL	MARK	MODEL	MARK	MODEL	MARK	MODEL	MARK
DDX375BT	K0	DDX395	K1	DDX4018BT	E1	DDX4018BT	X1
DDX4018DAB	E2						

Safe	Symbol No.	Parts No.	Parts Name	Description	QTY	Local
	C2097	CC73HCH1H101J	C CAPACITOR	100pF 50V J	1	
	R1401	RK73HB1J101J	MG RESISTOR	100Ω 1/16W J	1	
	R1402	RK73HB1J101J	MG RESISTOR	100Ω 1/16W J	1	
	R1403	RK73HB1J472J	MG RESISTOR	4.7kΩ 1/16W J	1	
	R1404	RK73HB1J222J	MG RESISTOR	2.2kΩ 1/16W J	1	
	R1405	RK73HB1J222J	MG RESISTOR	2.2kΩ 1/16W J	1	
	R1406	RK73GB2A472J	MG RESISTOR	4.7kΩ 1/10W J	1	
	R1407	RK73HB1J103J	MG RESISTOR	10kΩ 1/16W J	1	
	R1408	RK73HB1J000J	MG RESISTOR	0Ω 1/16W J	1	
	R1550	RK73GB2A000J	MG RESISTOR	0Ω 1/10W J	1	
	R1552	RK73HH1J123D	MG RESISTOR	12kΩ 1/16W D	1	
	R1553	RK73HH1J243D	MG RESISTOR	24kΩ 1/16W D	1	
	R1554	RK73GB2A000J	MG RESISTOR	0Ω 1/10W J	1	
	R1560	RK73GB2A000J	MG RESISTOR	0Ω 1/10W J	1	
	R1583	RK73GB2A103J	MG RESISTOR	10kΩ 1/10W J	1	
	R1600	RK73HB1J101J	MG RESISTOR	100Ω 1/16W J	1	
	R1601	RK73HB1J181J	MG RESISTOR	180Ω 1/16W J	1	
	R1602	RK73HB1J181J	MG RESISTOR	180Ω 1/16W J	1	
	R1603	RK73HB1J181J	MG RESISTOR	180Ω 1/16W J	1	
	R1604	RK73HB1J181J	MG RESISTOR	180Ω 1/16W J	1	
	R1605	RK73HB1J181J	MG RESISTOR	180Ω 1/16W J	1	
	R1606	RK73HB1J181J	MG RESISTOR	180Ω 1/16W J	1	
	R1607	RK73HB1J181J	MG RESISTOR	180Ω 1/16W J	1	
	R1608	RK73HB1J181J	MG RESISTOR	180Ω 1/16W J	1	
	R1609	RK73HB1J181J	MG RESISTOR	180Ω 1/16W J	1	
	R1610	RK73HB1J181J	MG RESISTOR	180Ω 1/16W J	1	
	R1611	RK73HB1J101J	MG RESISTOR	100Ω 1/16W J	1	
	R1612	RK73HB1J181J	MG RESISTOR	180Ω 1/16W J	1	
	R1613	RK73HB1J181J	MG RESISTOR	180Ω 1/16W J	1	
	R1614	RK73HB1J181J	MG RESISTOR	180Ω 1/16W J	1	
	R1615	RK73HB1J181J	MG RESISTOR	180Ω 1/16W J	1	
	R1616	RK73HB1J181J	MG RESISTOR	180Ω 1/16W J	1	
	R1617	RK73HB1J181J	MG RESISTOR	180Ω 1/16W J	1	
	R1618	RK73HB1J181J	MG RESISTOR	180Ω 1/16W J	1	
	R1619	RK73HB1J181J	MG RESISTOR	180Ω 1/16W J	1	
	R1620	RK73HB1J101J	MG RESISTOR	100Ω 1/16W J	1	
	R1621	RK73HB1J101J	MG RESISTOR	100Ω 1/16W J	1	
	R1622	RK73HB1J101J	MG RESISTOR	100Ω 1/16W J	1	
	R1623	RK73HB1J101J	MG RESISTOR	100Ω 1/16W J	1	
	R1624	RK73HB1J101J	MG RESISTOR	100Ω 1/16W J	1	
	R1625	RK73HB1J101J	MG RESISTOR	100Ω 1/16W J	1	
	R1626	RK73HB1J101J	MG RESISTOR	100Ω 1/16W J	1	
	R1627	RK73HB1J181J	MG RESISTOR	180Ω 1/16W J	1	
	R1628	RK73HB1J101J	MG RESISTOR	100Ω 1/16W J	1	
	R1645	RK73HB1J000J	MG RESISTOR	0Ω 1/16W J	1	
	R1646	RK73HB1J101J	MG RESISTOR	100Ω 1/16W J	1	
	R1647	RK73HB1J222J	MG RESISTOR	2.2kΩ 1/16W J	1	
	R1653	RK73HB1J330J	MG RESISTOR	33Ω 1/16W J	1	
	R1654	RK73HB1J330J	MG RESISTOR	33Ω 1/16W J	1	
	R1655	RK73HB1J330J	MG RESISTOR	33Ω 1/16W J	1	
	R1656	RK73HB1J121J	MG RESISTOR	120Ω 1/16W J	1	
	R1665	RK73HB1J152J	MG RESISTOR	1.5kΩ 1/16W J	1	
	R1666	RK73HB1J105J	MG RESISTOR	1MΩ 1/16W J	1	
	R1668	RK73HB1J330J	MG RESISTOR	33Ω 1/16W J	1	
	R1671	RK73HB1J332J	MG RESISTOR	3.3kΩ 1/16W J	1	
	R1672	RK73HB1J473J	MG RESISTOR	47kΩ 1/16W J	1	
	R1674	RK73HB1J181J	MG RESISTOR	180Ω 1/16W J	1	
	R1677	RK73HB1J223J	MG RESISTOR	22kΩ 1/16W J	1	
	R1678	RK73HB1J000J	MG RESISTOR	0Ω 1/16W J	1	
	R1771	RK73HB1J000J	MG RESISTOR	0Ω 1/16W J	1	
	R1773	RK73HB1J000J	MG RESISTOR	0Ω 1/16W J	1	
	R1794	RK73HB1J000J	MG RESISTOR	0Ω 1/16W J	1	
	R1796	RK73HB1J000J	MG RESISTOR	0Ω 1/16W J	1	
	R1798	RK73HB1J000J	MG RESISTOR	0Ω 1/16W J	1	
	R1810	RK73HB1J101J	MG RESISTOR	100Ω 1/16W J	1	
	R1811	RK73HB1J101J	MG RESISTOR	100Ω 1/16W J	1	
	R1812	RK73HB1J101J	MG RESISTOR	100Ω 1/16W J	1	
	R1813	RK73HB1J101J	MG RESISTOR	100Ω 1/16W J	1	
	R1814	RK73HB1J101J	MG RESISTOR	100Ω 1/16W J	1	
	R1815	RK73HB1J101J	MG RESISTOR	100Ω 1/16W J	1	
	R1816	RK73HB1J101J	MG RESISTOR	100Ω 1/16W J	1	
	R1817	RK73HB1J101J	MG RESISTOR	100Ω 1/16W J	1	
	R1818	RK73HB1J101J	MG RESISTOR	100Ω 1/16W J	1	
	R1820	RK73GH2A101D	MG RESISTOR	100Ω 1/10W D	1	
	R1821	RK73GH2A101D	MG RESISTOR	100Ω 1/10W D	1	
	R1822	RK73GH2A101D	MG RESISTOR	100Ω 1/10W D	1	
	R1823	RK73GH2A101D	MG RESISTOR	100Ω 1/10W D	1	
	R1824	RK73GH2A101D	MG RESISTOR	100Ω 1/10W D	1	
	R1825	RK73GH2A101D	MG RESISTOR	100Ω 1/10W D	1	
	R1826	RK73GH2A101D	MG RESISTOR	100Ω 1/10W D	1	
	R1827	RK73GH2A101D	MG RESISTOR	100Ω 1/10W D	1	
	R1828	RK73GH2A101D	MG RESISTOR	100Ω 1/10W D	1	
	R1830	RK73HH1J433D	MG RESISTOR	43kΩ 1/16W D	1	
	R1831	RK73HH1J913D	MG RESISTOR	91kΩ 1/16W D	1	
	R1832	RK73HH1J184D	MG RESISTOR	180kΩ 1/16W D	1	
	R1833	RK73HH1J434D	MG RESISTOR	430kΩ 1/16W D	1	
	R1834	RK73HH1J153D	MG RESISTOR	15kΩ 1/16W D	1	
	R1835	RK73HH1J153D	MG RESISTOR	15kΩ 1/16W D	1	
	R1836	RK73HB1J102J	MG RESISTOR	1kΩ 1/16W J	1	
	R1837	RK73GB2A472J	MG RESISTOR	4.7kΩ 1/10W J	1	
	R1838	RK73GB2A472J	MG RESISTOR	4.7kΩ 1/10W J	1	

MODEL	MARK	MODEL	MARK	MODEL	MARK	MODEL	MARK
DDX375BT	K0	DDX395	K1	DDX4018BT	E1	DDX4018BT	X1
DDX4018DAB	E2						

Safe	Symbol No.	Parts No.	Parts Name	Description	QTY	Local
	R1839	RK73HH1J620D	MG RESISTOR	62Ω 1/16W D	1	
	R1840	RK73HH1J161D	MG RESISTOR	160Ω 1/16W D	1	
	R1841	RK73HH1J430D	MG RESISTOR	43Ω 1/16W D	1	
	R1842	RK73HH1J360D	MG RESISTOR	36Ω 1/16W D	1	
	R1843	RK73HH1J101D	MG RESISTOR	100Ω 1/16W D	1	
	R1844	RK73HH1J161D	MG RESISTOR	160Ω 1/16W D	1	
	R1845	RK73HH1J101D	MG RESISTOR	100Ω 1/16W D	1	
	R1846	RK73HH1J360D	MG RESISTOR	36Ω 1/16W D	1	
	R1847	RK73HH1J430D	MG RESISTOR	43Ω 1/16W D	1	
	R1848	RK73HH1J161D	MG RESISTOR	160Ω 1/16W D	1	
	R1849	RK73HH1J101D	MG RESISTOR	100Ω 1/16W D	1	
	R1850	RK73HB1J000J	MG RESISTOR	0Ω 1/16W J	1	
	R1857	RK73HB1J000J	MG RESISTOR	0Ω 1/16W J	1	
	R1875	RK73HB1J332J	MG RESISTOR	3.3kΩ 1/16W J	1	
	R1876	RK73HB1J473J	MG RESISTOR	47kΩ 1/16W J	1	
	R1877	RK73GB2A331J	MG RESISTOR	330Ω 1/10W J	1	
	R1878	RK73HB1J000J	MG RESISTOR	0Ω 1/16W J	1	
	R1879	RK73HB1J473J	MG RESISTOR	47kΩ 1/16W J	1	
	R1880	RK73HB1J105J	MG RESISTOR	1MΩ 1/16W J	1	
	R1881	RK73HB1J332J	MG RESISTOR	3.3kΩ 1/16W J	1	
	R1882	RK73GH2A123D	MG RESISTOR	12kΩ 1/10W D	1	
	R1883	RK73GH2A753D	MG RESISTOR	75kΩ 1/10W D	1	
	R1884	RK73GH2A132D	MG RESISTOR	1.3kΩ 1/10W D	1	
	R1885	RK73HB1J471J	MG RESISTOR	470Ω 1/16W J	1	
	R1887	RK73PB2H820J	MG RESISTOR	82Ω 1/2W J	1	
	R1888	RK73PB2H820J	MG RESISTOR	82Ω 1/2W J	1	
	R1889	RK73HB1J472J	MG RESISTOR	4.7kΩ 1/16W J	1	
	R1890	RK73HB1J104J	MG RESISTOR	100kΩ 1/16W J	1	
	R1891	RK73HH1J472D	MG RESISTOR	4.7kΩ 1/16W D	1	
	R1892	RK73HB1J000J	MG RESISTOR	0Ω 1/16W J	1	
	R1893	RK73HH1J103D	MG RESISTOR	10kΩ 1/16W D	1	
	R1894	RK73HB1J472J	MG RESISTOR	4.7kΩ 1/16W J	1	
	R1895	RK73HB1J000J	MG RESISTOR	0Ω 1/16W J	1	
	R1896	RK73EB2E392J	MG RESISTOR	3.9kΩ 1/4W J	1	
	R1897	RK73HB1J471J	MG RESISTOR	470Ω 1/16W J	1	
	R1898	RK73HB1J183J	MG RESISTOR	18kΩ 1/16W J	1	
	R1899	RK73HB1J183J	MG RESISTOR	18kΩ 1/16W J	1	
	R1900	RK73HB1J470J	MG RESISTOR	47Ω 1/16W J	1	
	R1901	RK73HB1J470J	MG RESISTOR	47Ω 1/16W J	1	
	R1902	RK73HB1J470J	MG RESISTOR	47Ω 1/16W J	1	
	R1903	RK73HB1J470J	MG RESISTOR	47Ω 1/16W J	1	
	R1904	RK73HB1J470J	MG RESISTOR	47Ω 1/16W J	1	
	R1905	RK73HB1J470J	MG RESISTOR	47Ω 1/16W J	1	
	R1906	RK73HB1J470J	MG RESISTOR	47Ω 1/16W J	1	
	R1907	RK73HB1J470J	MG RESISTOR	47Ω 1/16W J	1	
	R1908	RK73HB1J470J	MG RESISTOR	47Ω 1/16W J	1	
	R1909	RK73HB1J470J	MG RESISTOR	47Ω 1/16W J	1	
	R1910	RK73HB1J470J	MG RESISTOR	47Ω 1/16W J	1	
	R1911	RK73HB1J470J	MG RESISTOR	47Ω 1/16W J	1	
	R1912	RK73HB1J470J	MG RESISTOR	47Ω 1/16W J	1	
	R1913	RK73HB1J470J	MG RESISTOR	47Ω 1/16W J	1	
	R1914	RK73GB2A470J	MG RESISTOR	47Ω 1/10W J	1	
	R1915	RK73GB2A470J	MG RESISTOR	47Ω 1/10W J	1	
	R1916	RK73HB1J470J	MG RESISTOR	47Ω 1/16W J	1	
	R1917	RK73HB1J470J	MG RESISTOR	47Ω 1/16W J	1	
	R1918	RK73HB1J470J	MG RESISTOR	47Ω 1/16W J	1	
	R1919	RK73HB1J470J	MG RESISTOR	47Ω 1/16W J	1	
	R1920	RK73HB1J470J	MG RESISTOR	47Ω 1/16W J	1	
	R1921	RK73HB1J470J	MG RESISTOR	47Ω 1/16W J	1	
	R1922	RK73HB1J470J	MG RESISTOR	47Ω 1/16W J	1	
	R1923	RK73HB1J470J	MG RESISTOR	47Ω 1/16W J	1	
	R1924	RK73HB1J470J	MG RESISTOR	47Ω 1/16W J	1	
	R1925	RK73HB1J470J	MG RESISTOR	47Ω 1/16W J	1	
	R1926	RK73HB1J470J	MG RESISTOR	47Ω 1/16W J	1	
	R1927	RK73HB1J470J	MG RESISTOR	47Ω 1/16W J	1	
	R1928	RK73HB1J470J	MG RESISTOR	47Ω 1/16W J	1	
	R1929	RK73HB1J470J	MG RESISTOR	47Ω 1/16W J	1	
	R1930	RK73HB1J470J	MG RESISTOR	47Ω 1/16W J	1	
	R1931	RK73HB1J470J	MG RESISTOR	47Ω 1/16W J	1	
	R1932	RK73HH1J470D	MG RESISTOR	47Ω 1/16W D	1	
	R1933	RK73HB1J000J	MG RESISTOR	0Ω 1/16W J	1	
	R1934	RK73HB1J103J	MG RESISTOR	10kΩ 1/16W J	1	
	R1958	RK73HB1J470J	MG RESISTOR	47Ω 1/16W J	1	
	R1959	RK73HB1J470J	MG RESISTOR	47Ω 1/16W J	1	
	R1960	RK73HB1J470J	MG RESISTOR	47Ω 1/16W J	1	
	R1961	RK73HB1J470J	MG RESISTOR	47Ω 1/16W J	1	
	R1962	RK73HB1J470J	MG RESISTOR	47Ω 1/16W J	1	
	R1963	RK73HB1J470J	MG RESISTOR	47Ω 1/16W J	1	
	R1964	RK73HB1J470J	MG RESISTOR	47Ω 1/16W J	1	
	R1965	RK73HB1J470J	MG RESISTOR	47Ω 1/16W J	1	
	R1966	RK73HB1J470J	MG RESISTOR	47Ω 1/16W J	1	
	R1967	RK73HB1J470J	MG RESISTOR	47Ω 1/16W J	1	
	R1968	RK73HB1J470J	MG RESISTOR	47Ω 1/16W J	1	
	R1969	RK73HB1J470J	MG RESISTOR	47Ω 1/16W J	1	
	R1970	RK73HB1J470J	MG RESISTOR	47Ω 1/16W J	1	
	R1980	RK73HB1J101J	MG RESISTOR	100Ω 1/16W J	1	
	R1981	RK73HB1J101J	MG RESISTOR	100Ω 1/16W J	1	
	R1982	RK73HB1J101J	MG RESISTOR	100Ω 1/16W J	1	
	R1983	RK73HB1J101J	MG RESISTOR	100Ω 1/16W J	1	
	R1984	RK73HB1J101J	MG RESISTOR	100Ω 1/16W J	1	

MODEL	MARK	MODEL	MARK	MODEL	MARK	MODEL	MARK
DDX375BT	K0	DDX395	K1	DDX4018BT	E1	DDX4018BT	X1
DDX4018DAB	E2						

Safe	Symbol No.	Parts No.	Parts Name	Description	QTY	Local
	R1985	RK73HB1J101J	MG RESISTOR	100Ω 1/16W J	1	
	R1986	RK73HB1J101J	MG RESISTOR	100Ω 1/16W J	1	
	R1987	RK73HB1J101J	MG RESISTOR	100Ω 1/16W J	1	
	R1988	RK73HB1J101J	MG RESISTOR	100Ω 1/16W J	1	
	R1989	RK73HB1J101J	MG RESISTOR	100Ω 1/16W J	1	
	R1990	RK73HB1J101J	MG RESISTOR	100Ω 1/16W J	1	
	R1991	RK73HB1J101J	MG RESISTOR	100Ω 1/16W J	1	
	R2001	RK73GB2A000J	MG RESISTOR	0Ω 1/10W J	1	
	R2003	RK73HB1J101J	MG RESISTOR	100Ω 1/16W J	1	
	R2004	RK73HB1J101J	MG RESISTOR	100Ω 1/16W J	1	
	R2005	RK73HB1J181J	MG RESISTOR	180Ω 1/16W J	1	
	R2006	RK73HB1J101J	MG RESISTOR	100Ω 1/16W J	1	
	R2007	RK73HB1J101J	MG RESISTOR	100Ω 1/16W J	1	
	R2010	RK73HB1J222J	MG RESISTOR	2.2kΩ 1/16W J	1	
	R2011	RK73GB2A222J	MG RESISTOR	2.2kΩ 1/10W J	1	
	R2013	RK73HB1J103J	MG RESISTOR	10kΩ 1/16W J	1	
	R2014	RK73HB1J472J	MG RESISTOR	4.7kΩ 1/16W J	1	
	R2015	RK73HB1J103J	MG RESISTOR	10kΩ 1/16W J	1	
	R2016	RK73HB1J103J	MG RESISTOR	10kΩ 1/16W J	1	
	R2017	RK73HB1J103J	MG RESISTOR	10kΩ 1/16W J	1	
	R2022	RK73HB1J222J	MG RESISTOR	2.2kΩ 1/16W J	1	
	R2023	RK73HB1J392J	MG RESISTOR	3.9kΩ 1/16W J	1	
	R2024	RK73HB1J392J	MG RESISTOR	3.9kΩ 1/16W J	1	
	R2025	RK73HB1J472J	MG RESISTOR	4.7kΩ 1/16W J	1	
	R2029	RK73HB1J103J	MG RESISTOR	10kΩ 1/16W J	1	
	R2030	RK73HB1J101J	MG RESISTOR	100Ω 1/16W J	1	
	R2035	RK73HB1J101J	MG RESISTOR	100Ω 1/16W J	1	
	R2036	RK73HB1J101J	MG RESISTOR	100Ω 1/16W J	1	
	R2038	RK73HB1J000J	MG RESISTOR	0Ω 1/16W J	1	
	R2041	RK73HB1J472J	MG RESISTOR	4.7kΩ 1/16W J	1	
	R2042	RK73HB1J103J	MG RESISTOR	10kΩ 1/16W J	1	
	R2043	RK73HB1J101J	MG RESISTOR	100Ω 1/16W J	1	
	R2048	RK73HB1J101J	MG RESISTOR	100Ω 1/16W J	1	
	R2058	RK73HB1J103J	MG RESISTOR	10kΩ 1/16W J	1	
	R2061	RK73HB1J330J	MG RESISTOR	33Ω 1/16W J	1	
	R2062	RK73HB1J330J	MG RESISTOR	33Ω 1/16W J	1	
	R2063	RK73HB1J330J	MG RESISTOR	33Ω 1/16W J	1	
	R2064	RK73HB1J330J	MG RESISTOR	33Ω 1/16W J	1	
	R2065	RK73HB1J330J	MG RESISTOR	33Ω 1/16W J	1	
	R2066	RK73HB1J330J	MG RESISTOR	33Ω 1/16W J	1	
	R2067	RK73HB1J330J	MG RESISTOR	33Ω 1/16W J	1	
	R2068	RK73HB1J330J	MG RESISTOR	33Ω 1/16W J	1	
	R2069	RK73HB1J222J	MG RESISTOR	2.2kΩ 1/16W J	1	
	R2074	RK73HB1J330J	MG RESISTOR	33Ω 1/16W J	1	
	R2075	RK73HB1J330J	MG RESISTOR	33Ω 1/16W J	1	
	R2076	RK73HB1J330J	MG RESISTOR	33Ω 1/16W J	1	
	R2077	RK73HB1J103J	MG RESISTOR	10kΩ 1/16W J	1	
	R2081	RK73HB1J330J	MG RESISTOR	33Ω 1/16W J	1	
	R2082	RK73HB1J330J	MG RESISTOR	33Ω 1/16W J	1	
	R2083	RK73HB1J330J	MG RESISTOR	33Ω 1/16W J	1	
	R2084	RK73HB1J330J	MG RESISTOR	33Ω 1/16W J	1	
	R2086	RK73HB1J332J	MG RESISTOR	3.3kΩ 1/16W J	1	
	R2087	RK73HB1J332J	MG RESISTOR	3.3kΩ 1/16W J	1	
	R2088	RK73HB1J332J	MG RESISTOR	3.3kΩ 1/16W J	1	
	R2090	RK73HB1J101J	MG RESISTOR	100Ω 1/16W J	1	
	R2091	RK73HB1J101J	MG RESISTOR	100Ω 1/16W J	1	
	R2092	RK73HB1J332J	MG RESISTOR	3.3kΩ 1/16W J	1	
	R2093	RK73HB1J000J	MG RESISTOR	0Ω 1/16W J	1	
	R2094	RK73HB1J000J	MG RESISTOR	0Ω 1/16W J	1	
	R2099	RK73HB1J393J	MG RESISTOR	39kΩ 1/16W J	1	
	R2100	RK73HB1J823J	MG RESISTOR	82kΩ 1/16W J	1	
	R2101	RK73HB1J103J	MG RESISTOR	10kΩ 1/16W J	1	
	R2102	RK73HB1J103J	MG RESISTOR	10kΩ 1/16W J	1	
	R2103	RK73HB1J103J	MG RESISTOR	10kΩ 1/16W J	1	
	R2104	RK73HB1J101J	MG RESISTOR	100Ω 1/16W J	1	
	R2105	RK73HB1J101J	MG RESISTOR	100Ω 1/16W J	1	
	R2106	RK73HB1J101J	MG RESISTOR	100Ω 1/16W J	1	
	R2107	RK73HB1J103J	MG RESISTOR	10kΩ 1/16W J	1	
	R2108	RK73HB1J302J	MG RESISTOR	3kΩ 1/16W J	1	
	R2109	RK73HB1J101J	MG RESISTOR	100Ω 1/16W J	1	
	R2114	RK73HB1J181J	MG RESISTOR	180Ω 1/16W J	1	
	R2115	RK73HB1J181J	MG RESISTOR	180Ω 1/16W J	1	
	R2117	RK73HB1J105J	MG RESISTOR	1MΩ 1/16W J	1	
	R2118	RK73HB1J000J	MG RESISTOR	0Ω 1/16W J	1	
	R2120	RK73HB1J101J	MG RESISTOR	100Ω 1/16W J	1	
	R2121	RK73HB1J101J	MG RESISTOR	100Ω 1/16W J	1	
	R2126	RK73HB1J271J	MG RESISTOR	270Ω 1/16W J	1	
	R2127	RK73HB1J181J	MG RESISTOR	180Ω 1/16W J	1	
	R2128	RK73HB1J181J	MG RESISTOR	180Ω 1/16W J	1	
	R2129	RK73HB1J181J	MG RESISTOR	180Ω 1/16W J	1	
	R2130	RK73HB1J181J	MG RESISTOR	180Ω 1/16W J	1	
	R2131	RK73HB1J181J	MG RESISTOR	180Ω 1/16W J	1	
	R2133	RK73HB1J101J	MG RESISTOR	100Ω 1/16W J	1	
	R2134	RK73HB1J102J	MG RESISTOR	1kΩ 1/16W J	1	
	R2136	RK73HB1J181J	MG RESISTOR	180Ω 1/16W J	1	
	R2137	RK73HB1J181J	MG RESISTOR	180Ω 1/16W J	1	
	R2138	RK73HB1J181J	MG RESISTOR	180Ω 1/16W J	1	
	R2139	RK73HB1J000J	MG RESISTOR	0Ω 1/16W J	1	
	R2140	RK73HB1J181J	MG RESISTOR	180Ω 1/16W J	1	
	R2141	RK73HB1J181J	MG RESISTOR	180Ω 1/16W J	1	

MODEL	MARK	MODEL	MARK	MODEL	MARK	MODEL	MARK
DDX375BT	K0	DDX395	K1	DDX4018BT	E1	DDX4018BT	X1
DDX4018DAB	E2						

Safe	Symbol No.	Parts No.	Parts Name	Description	QTY	Local
	R2142	RK73HB1J181J	MG RESISTOR	180Ω 1/16W J	1	
	R2143	RK73HB1J181J	MG RESISTOR	180Ω 1/16W J	1	
	R2145	RK73HB1J101J	MG RESISTOR	100Ω 1/16W J	1	
	R2147	RK73HB1J103J	MG RESISTOR	10kΩ 1/16W J	1	
	R2150	RK73HB1J181J	MG RESISTOR	180Ω 1/16W J	1	
	R2151	RK73HB1J181J	MG RESISTOR	180Ω 1/16W J	1	
	R2152	RK73HB1J181J	MG RESISTOR	180Ω 1/16W J	1	
	R2153	RK73HB1J181J	MG RESISTOR	180Ω 1/16W J	1	
	R2154	RK73HB1J181J	MG RESISTOR	180Ω 1/16W J	1	
	R2155	RK73HB1J181J	MG RESISTOR	180Ω 1/16W J	1	
	R2157	RK73HB1J000J	MG RESISTOR	0Ω 1/16W J	1	
	R2160	RK73HB1J101J	MG RESISTOR	100Ω 1/16W J	1	
	R2161	RK73HB1J101J	MG RESISTOR	100Ω 1/16W J	1	
	R2164	RK73HB1J473J	MG RESISTOR	47kΩ 1/16W J	1	
	R2201	RK73GB2A1R6J	MG RESISTOR	1.6Ω 1/10W J	1	
	R2202	RK73GB2A1R6J	MG RESISTOR	1.6Ω 1/10W J	1	
	R2203	RK73GB2A1R6J	MG RESISTOR	1.6Ω 1/10W J	1	
	R2204	RK73GB2A1R6J	MG RESISTOR	1.6Ω 1/10W J	1	
	R2205	RK73GB2A1R6J	MG RESISTOR	1.6Ω 1/10W J	1	
	R2206	RK73GB2A1R6J	MG RESISTOR	1.6Ω 1/10W J	1	
	R2207	RK73GB2A1R6J	MG RESISTOR	1.6Ω 1/10W J	1	
	R2208	RK73GB2A1R6J	MG RESISTOR	1.6Ω 1/10W J	1	
	R2209	RK73GB2A1R6J	MG RESISTOR	1.6Ω 1/10W J	1	
	R2210	RK73GB2A1R6J	MG RESISTOR	1.6Ω 1/10W J	1	
	R2211	RK73GB2A1R6J	MG RESISTOR	1.6Ω 1/10W J	1	
	R2212	RK73GB2A1R6J	MG RESISTOR	1.6Ω 1/10W J	1	
	R2213	RK73GB2A1R6J	MG RESISTOR	1.6Ω 1/10W J	1	
	R2214	RK73GB2A1R6J	MG RESISTOR	1.6Ω 1/10W J	1	
	R2215	RK73GB2A1R6J	MG RESISTOR	1.6Ω 1/10W J	1	
	R2216	RK73GB2A1R8J	MG RESISTOR	1.8Ω 1/10W J	1	
	R2217	RK73GB2A1R8J	MG RESISTOR	1.8Ω 1/10W J	1	
	R2218	RK73GB2A1R8J	MG RESISTOR	1.8Ω 1/10W J	1	
	R2219	RK73GB2A1R8J	MG RESISTOR	1.8Ω 1/10W J	1	
	R2220	RK73GB2A1R8J	MG RESISTOR	1.8Ω 1/10W J	1	
	R2221	RK73GB2A1R8J	MG RESISTOR	1.8Ω 1/10W J	1	
	R2222	RK73GB2A1R8J	MG RESISTOR	1.8Ω 1/10W J	1	
	R2223	RK73GB2A1R8J	MG RESISTOR	1.8Ω 1/10W J	1	
	R2224	RK73GB2A1R8J	MG RESISTOR	1.8Ω 1/10W J	1	
	R2225	RK73GB2A1R8J	MG RESISTOR	1.8Ω 1/10W J	1	
	R2226	RK73GB2A1R8J	MG RESISTOR	1.8Ω 1/10W J	1	
	R2227	RK73GB2A1R8J	MG RESISTOR	1.8Ω 1/10W J	1	
	R2228	RK73GB2A1R8J	MG RESISTOR	1.8Ω 1/10W J	1	
	R2229	RK73GB2A1R8J	MG RESISTOR	1.8Ω 1/10W J	1	
	R2230	RK73GB2A1R8J	MG RESISTOR	1.8Ω 1/10W J	1	
	L1551	LB73G0BK-006	CHIP FERRITE		1	
	L1601	LB73G0BK-003	CHIP FERRITE		1	
	L1602	LB73G0BK-003	CHIP FERRITE		1	
	L1603	LB73G0BK-003	CHIP FERRITE		1	
	L1604	LB73G0BK-003	CHIP FERRITE		1	
	L1626	LB73H0CC-003	CHIP FERRITE		1	
	L1627	LB73H0CC-004	CHIP FERRITE		1	
	L2001	LR73Z0AD4R7M	CHIP INDUCTOR	4.7uH	1	
	L2002	RK73HB1J390J	MG RESISTOR	39Ω 1/16W J	1	
	L2003	LB73H0CC-003	CHIP FERRITE		1	
	L2070	LB73H0BG-003	CHIP FERRITE		1	
	L2071	LB73H0BG-003	CHIP FERRITE		1	
	L2072	LB73H0BG-003	CHIP FERRITE		1	
	L2073	LB73H0BG-003	CHIP FERRITE		1	
	CN1771	EC720AA-0515A	FFC FPC CONNE		1	
	CN1790	EC710AU-1004A	FFC FPC CONNE		1	
	CN1800	EC720AA-0560A	FFC FPC CONNE		1	
	CN1805	QGA3501F1-02X	CONNECTOR	W-B (1-2)	1	
	CN1980	EC720AA-0522A	FFC FPC CONNE		1	
	CN2000	EC720CF-0560A	FFC FPC CONNE		1	
	X1600	L7J-0101-00	QUARTZ CRYSTAL		1	
	X2000	L7J-0092-00	QUARTZ CRYSTAL		1	
DAUGHTER PWB ASSY (XJF-016x-0x) <XJF>						
	D1	UDZV6.8B	ZENER DIODE		1	
	C9	CK73HXR1C104K	C CAPACITOR	0.1uF 16V K	1	
	C18	CK73HXR1H102K	C CAPACITOR	1000pF 50V K	1	
	C19	CK73HXR1H102K	C CAPACITOR	1000pF 50V K	1	
	C20	CK73HXR1H102K	C CAPACITOR	1000pF 50V K	1	
	C21	CK73HXR1H102K	C CAPACITOR	1000pF 50V K	1	
	C22	CK73GXR1C105K	C CAPACITOR	1uF 16V K	1	
	C23	CK73GXR0J106K	C CAPACITOR	10uF 6.3V K	1	
	C24	CK73GXR1C105K	C CAPACITOR	1uF 16V K	1	
	C25	CK73GXR1C104K	C CAPACITOR	0.1uF 10V K	1	E1,X1,E2
	R20	RK73GB2A101J	MG RESISTOR	100Ω 1/10W J	1	
	R21	RK73HB1J220J	MG RESISTOR	22Ω 1/16W J	1	K0,K1
	R22	RK73HB1J220J	MG RESISTOR	22Ω 1/16W J	1	K0,K1
	R23	RK73GB2A101J	MG RESISTOR	100Ω 1/10W J	1	
	R24	RK73GB2A102J	MG RESISTOR	1kΩ 1/10W J	1	
	R25	RK73GB2A101J	MG RESISTOR	100Ω 1/10W J	1	
	R26	RK73GB2A100J	MG RESISTOR	10Ω 1/10W J	1	
	R27	RK73GB2A4R7J	MG RESISTOR	4.7Ω 1/10W J	1	
	R28	RK73GB2A100J	MG RESISTOR	10Ω 1/10W J	1	
	R29	RK73GB2A100J	MG RESISTOR	10Ω 1/10W J	1	E1,X1,E2
	R31	RK73GB2A101J	MG RESISTOR	100Ω 1/10W J	1	E1,X1,E2
	R33	RK73GB2A101J	MG RESISTOR	100Ω 1/10W J	1	E1,X1,E2
	R35	RK73GB2A101J	MG RESISTOR	100Ω 1/10W J	1	E1,X1,E2
	R36	RK73HH1J750D	MG RESISTOR	75Ω 1/16W D	1	E1,X1,E2

MODEL	MARK	MODEL	MARK	MODEL	MARK	MODEL	MARK
DDX375BT	K0	DDX395	K1	DDX4018BT	E1	DDX4018BT	X1
DDX4018DAB	E2						

Safe	Symbol No.	Parts No.	Parts Name	Description	QTY	Local
	R37	RK73HH1J750D	MG RESISTOR	75Ω 1/16W D	1	E1,X1,E2
	R38	RK73HH1J750D	MG RESISTOR	75Ω 1/16W D	1	E1,X1,E2
	R39	RK73HH1J750D	MG RESISTOR	75Ω 1/16W D	1	E1,X1,E2
	R41	CK73HXR1A105K	C CAPACITOR	1uF 10V K	1	K0,K1
	R42	CK73HXR1A105K	C CAPACITOR	1uF 10V K	1	K0,K1
	R43	CK73HXR1A105K	C CAPACITOR	1uF 10V K	1	K0,K1
	R44	RK73GB2A101J	MG RESISTOR	100Ω 1/10W J	1	E1,X1,E2
	R45	RK73GB2A101J	MG RESISTOR	100Ω 1/10W J	1	E1,X1,E2
	R46	RK73GB2A100J	MG RESISTOR	10Ω 1/10W J	1	K0,K1
	R46	RK73GB2A000J	MG RESISTOR	0Ω 1/10W J	1	E1,X1,E2
	R47	RK73HB1J000J	MG RESISTOR	0Ω 1/16W J	1	K0,K1
	R48	RK73HB1J000J	MG RESISTOR	0Ω 1/16W J	1	K0,K1
	CN1	QGA2501C1-02	W TO B CONNE	W-B (1-2)	1	K0,K1
	CN3	EC720AA-0526A	FFC FPC CONNE		1	K0,K1
	CN4	EC720AA-0522A	FFC FPC CONNE		1	E1,X1,E2
	CN5	EA120CK-2004A	W TO B CONNE		1	K0,K1
△	F1	F53-0513-08	PATTERN FUSE	4A	1	
△	F3	F53-0513-08	PATTERN FUSE	4A	1	
△	F4	F53-0513-08	PATTERN FUSE	4A	1	
	J2	QNZ0907-001	CIR CONNECTOR		1	K0,K1
	J3	QND0162-001	DIN CONNECTOR		1	E1,X1,E2
	J4	QNS0307-001	3.5 JACK		1	
	VA2	SDV1005E18//1	VARIATOR		1	K0,K1
	VA3	SDV1005E18//1	VARIATOR		1	K0,K1
	VA4	SDV1005E18//1	VARIATOR		1	
	VA5	SDV1005E18//1	VARIATOR		1	
	VA6	SDV1005A14//0	VARIATOR		1	
	VA7	SDV1005A14//0	VARIATOR		1	
	VA8	SDV1005A14//0	VARIATOR		1	
	VA9	SDV1005A14//0	VARIATOR		1	
	VA10	SDV1005E18//1	VARIATOR		1	E1,X1,E2
	VA11	SDV1005E18//1	VARIATOR		1	E1,X1,E2
	VA12	SDV1005E18//1	VARIATOR		1	E1,X1,E2
	VA13	SDV1005E18//1	VARIATOR		1	E1,X1,E2
	VA14	SDV1005A14//0	VARIATOR		1	
	VA15	SDV1005A14//0	VARIATOR		1	
DAB TUNER PWB ASSY (XJM-0132-72) <XJM>						
	IC1	SI4763-A42-GM	MOS IC		1	E2
	IC2	MTV301CQ	MOS IC		1	E2
	IC3	GL3511SB169	MOS IC		1	E2
	IC4	W3F-0021-00	ROM IC		1	E2
	IC5	XC6213B122N-G	MOS IC		1	E2
	IC6	XC6213B182N-G	MOS IC		1	E2
	IC7	XC6213B182N-G	MOS IC		1	E2
	C1	CC73HCH1H270J	C CAPACITOR	27pF 50V J	1	E2
	C2	CC73HCH1H390J	C CAPACITOR	39pF 50V J	1	E2
	C3	CK73HBB1H102K	C CAPACITOR	1000pF 50V K	1	E2
	C4	CK73HBB1H222K	C CAPACITOR	2200pF 50V K	1	E2
	C5	CK73HBB1H103K	C CAPACITOR	0.01uF 50V K	1	E2
	C6	CC73HCH1H010C	C CAPACITOR	1pF 50V C	1	E2
	C7	CC73HCH1H050C	C CAPACITOR	5pF 50V C	1	E2
	C10	CK73HBB1C104K	C CAPACITOR	0.1uF 16V K	1	E2
	C13	CK73HBB1H102K	C CAPACITOR	1000pF 50V K	1	E2
	C14	CK73HBB1H222K	C CAPACITOR	2200pF 50V K	1	E2
	C15	CK73FXR1C106K	C CAPACITOR	10uF 16V K	1	E2
	C16	CK73HBB1H222K	C CAPACITOR	2200pF 50V K	1	E2
	C17	CK73HBB1H222K	C CAPACITOR	2200pF 50V K	1	E2
	C18	CC73HCH1H101J	C CAPACITOR	100pF 50V J	1	E2
	C19	CK73HBB1H222K	C CAPACITOR	2200pF 50V K	1	E2
	C20	CK73HBB1C104K	C CAPACITOR	0.1uF 16V K	1	E2
	C21	CK73GXR1C105K	C CAPACITOR	1uF 16V K	1	E2
	C22	CK73GXR1C105K	C CAPACITOR	1uF 16V K	1	E2
	C23	CK73HBB1H682K	C CAPACITOR	6800pF 50V K	1	E2
	C24	CK73HBB1H682K	C CAPACITOR	6800pF 50V K	1	E2
	C25	CK73FXR1C106K	C CAPACITOR	10uF 16V K	1	E2
	C26	CC73HCH1H150J	C CAPACITOR	15pF 50V J	1	E2
	C27	CC73HCH1H100D	C CAPACITOR	10pF 50V D	1	E2
	C28	CC73HCH1H180J	C CAPACITOR	18pF 50V J	1	E2
	C29	CK73HBB1C104K	C CAPACITOR	0.1uF 16V K	1	E2
	C30	CK73HBB1C104K	C CAPACITOR	0.1uF 16V K	1	E2
	C31	CK73HBB1C104K	C CAPACITOR	0.1uF 16V K	1	E2
	C32	CK73HBB1C104K	C CAPACITOR	0.1uF 16V K	1	E2
	C33	CK73HBB1C104K	C CAPACITOR	0.1uF 16V K	1	E2
	C36	CC73HCH1H060D	C CAPACITOR	6pF 50V D	1	E2
	C37	CC73HCH1H060D	C CAPACITOR	6pF 50V D	1	E2
	C38	CK73HBB1C104K	C CAPACITOR	0.1uF 16V K	1	E2
	C39	CK73FXR1C106K	C CAPACITOR	10uF 16V K	1	E2
	C41	CK73HBB1C104K	C CAPACITOR	0.1uF 16V K	1	E2
	C42	CC73HCH1H080D	C CAPACITOR	8pF 50V D	1	E2
	C43	CC73HCH1H030C	C CAPACITOR	3pF 50V C	1	E2
	C44	CC73HCH1H330J	C CAPACITOR	33pF 50V J	1	E2
	C45	CK73HBB1C104K	C CAPACITOR	0.1uF 16V K	1	E2
	C46	CC73HCH1H680J	C CAPACITOR	68pF 50V J	1	E2
	C47	CK73HBB1H102K	C CAPACITOR	1000pF 50V K	1	E2
	C48	CK73HBB1C104K	C CAPACITOR	0.1uF 16V K	1	E2
	C49	CK73HBB1C104K	C CAPACITOR	0.1uF 16V K	1	E2
	C50	CK73HBB1C104K	C CAPACITOR	0.1uF 16V K	1	E2
	C51	CK73HBB1C104K	C CAPACITOR	0.1uF 16V K	1	E2
	C52	CK73HBB1C104K	C CAPACITOR	0.1uF 16V K	1	E2
	C53	CK73HBB1C104K	C CAPACITOR	0.1uF 16V K	1	E2
	C54	CK73HBB1C104K	C CAPACITOR	0.1uF 16V K	1	E2
	C55	CK73HBB1C104K	C CAPACITOR	0.1uF 16V K	1	E2

MODEL	MARK	MODEL	MARK	MODEL	MARK	MODEL	MARK
DDX375BT	K0	DDX395	K1	DDX4018BT	E1	DDX4018BT	X1
DDX4018DAB	E2						

Safe	Symbol No.	Parts No.	Parts Name	Description	QTY	Local
	C56	CK73HBB1C104K	C CAPACITOR	0.1uF 16V K	1	E2
	C57	CK73HBB1C104K	C CAPACITOR	0.1uF 16V K	1	E2
	C58	CK73HBB1C104K	C CAPACITOR	0.1uF 16V K	1	E2
	C59	CK73HBB1C104K	C CAPACITOR	0.1uF 16V K	1	E2
	C60	CK73HBB1C104K	C CAPACITOR	0.1uF 16V K	1	E2
	C61	CK73HBB1C104K	C CAPACITOR	0.1uF 16V K	1	E2
	C62	CK73HBB1C104K	C CAPACITOR	0.1uF 16V K	1	E2
	C63	CK73HBB1C104K	C CAPACITOR	0.1uF 16V K	1	E2
	C64	CK73HBB1C104K	C CAPACITOR	0.1uF 16V K	1	E2
	C65	CK73HBB1C104K	C CAPACITOR	0.1uF 16V K	1	E2
	C66	CK73HBB1C104K	C CAPACITOR	0.1uF 16V K	1	E2
	C67	CK73HBB1C104K	C CAPACITOR	0.1uF 16V K	1	E2
	C68	CK73HBB1C104K	C CAPACITOR	0.1uF 16V K	1	E2
	C69	CK73HBB1C104K	C CAPACITOR	0.1uF 16V K	1	E2
	C70	CK73HBB1C104K	C CAPACITOR	0.1uF 16V K	1	E2
	C71	CK73HBB1C104K	C CAPACITOR	0.1uF 16V K	1	E2
	C72	CK73HBB1C104K	C CAPACITOR	0.1uF 16V K	1	E2
	C73	CK73HBB1C104K	C CAPACITOR	0.1uF 16V K	1	E2
	C74	CK73HBB1C104K	C CAPACITOR	0.1uF 16V K	1	E2
	C75	CK73HBB1H102K	C CAPACITOR	1000pF 50V K	1	E2
	C76	CK73GXR0J475K	C CAPACITOR	4.7uF 6.3V K	1	E2
	C77	CK73FXR1C106K	C CAPACITOR	10uF 16V K	1	E2
	C78	CK73GXR1C225K	C CAPACITOR	2.2uF 16V K	1	E2
	C79	CK73FXR0J226M	C CAPACITOR	22uF 6.3V M	1	E2
	C80	CK73GXR1C225K	C CAPACITOR	2.2uF 16V K	1	E2
	C81	CK73FXR1C106K	C CAPACITOR	10uF 16V K	1	E2
	C82	CC73HCH1H100D	C CAPACITOR	10pF 50V D	1	E2
	C86	CC73HCH1H100D	C CAPACITOR	10pF 50V D	1	E2
	C96	CC73HCH1H221J	C CAPACITOR	220pF 50V J	1	E2
	C97	CC73HCH1H100D	C CAPACITOR	10pF 50V D	1	E2
	R1	RK73HB1J474J	MG RESISTOR	470kΩ 1/16W J	1	E2
	R2	RK73HB1J474J	MG RESISTOR	470kΩ 1/16W J	1	E2
	R3	RK73HB1J471J	MG RESISTOR	470Ω 1/16W J	1	E2
	R5	RK73HB1J000J	MG RESISTOR	0Ω 1/16W J	1	E2
	R6	RK73HB1J240J	MG RESISTOR	24Ω 1/16W J	1	E2
	R13	RK73HB1J470J	MG RESISTOR	47Ω 1/16W J	1	E2
	R14	RK73HB1J470J	MG RESISTOR	47Ω 1/16W J	1	E2
	R15	RK73HB1J470J	MG RESISTOR	47Ω 1/16W J	1	E2
	R16	RK73HB1J103J	MG RESISTOR	10kΩ 1/16W J	1	E2
	R17	RK73HB1J222J	MG RESISTOR	2.2kΩ 1/16W J	1	E2
	R18	RK73HB1J222J	MG RESISTOR	2.2kΩ 1/16W J	1	E2
	R19	RK73HB1J470J	MG RESISTOR	47Ω 1/16W J	1	E2
	R20	RK73HB1J470J	MG RESISTOR	47Ω 1/16W J	1	E2
	R21	RK73HB1J470J	MG RESISTOR	47Ω 1/16W J	1	E2
	R22	RK73HB1J470J	MG RESISTOR	47Ω 1/16W J	1	E2
	R23	RK73HB1J470J	MG RESISTOR	47Ω 1/16W J	1	E2
	R24	RK73HB1J470J	MG RESISTOR	47Ω 1/16W J	1	E2
	R25	RK73HB1J000J	MG RESISTOR	0Ω 1/16W J	1	E2
	R26	RK73HB1J000J	MG RESISTOR	0Ω 1/16W J	1	E2
	R27	RK73HB1J000J	MG RESISTOR	0Ω 1/16W J	1	E2
	R28	RK73HB1J000J	MG RESISTOR	0Ω 1/16W J	1	E2
	R29	RK73HB1J000J	MG RESISTOR	0Ω 1/16W J	1	E2
	R30	RK73HB1J000J	MG RESISTOR	0Ω 1/16W J	1	E2
	R31	RK73HB1J000J	MG RESISTOR	0Ω 1/16W J	1	E2
	R32	RK73HB1J000J	MG RESISTOR	0Ω 1/16W J	1	E2
	R33	RK73HB1J101J	MG RESISTOR	100Ω 1/16W J	1	E2
	R34	RK73HB1J101J	MG RESISTOR	100Ω 1/16W J	1	E2
	R35	RK73HB1J222J	MG RESISTOR	2.2kΩ 1/16W J	1	E2
	R36	RK73HB1J222J	MG RESISTOR	2.2kΩ 1/16W J	1	E2
	R37	RK73HB1J104J	MG RESISTOR	100kΩ 1/16W J	1	E2
	R38	RK73HB1J000J	MG RESISTOR	0Ω 1/16W J	1	E2
	R39	RK73HB1J104J	MG RESISTOR	100kΩ 1/16W J	1	E2
	R40	RK73HB1J104J	MG RESISTOR	100kΩ 1/16W J	1	E2
	R41	RK73HB1J104J	MG RESISTOR	100kΩ 1/16W J	1	E2
	R44	RK73HB1J000J	MG RESISTOR	0Ω 1/16W J	1	E2
	R45	RK73HB1J000J	MG RESISTOR	0Ω 1/16W J	1	E2
	R46	RK73HH1J433D	MG RESISTOR	43kΩ 1/16W D	1	E2
	R47	RK73HH1J433D	MG RESISTOR	43kΩ 1/16W D	1	E2
	R48	RK73HH1J623D	MG RESISTOR	62kΩ 1/16W D	1	E2
	R49	RK73HH1J623D	MG RESISTOR	62kΩ 1/16W D	1	E2
	R50	RK73HB1J101J	MG RESISTOR	100Ω 1/16W J	1	E2
	R51	RK73HB1J101J	MG RESISTOR	100Ω 1/16W J	1	E2
	R52	RK73HB1J104J	MG RESISTOR	100kΩ 1/16W J	1	E2
	R53	RK73HB1J104J	MG RESISTOR	100kΩ 1/16W J	1	E2
	R54	RK73HB1J103J	MG RESISTOR	10kΩ 1/16W J	1	E2
	R55	RK73HB1J104J	MG RESISTOR	100kΩ 1/16W J	1	E2
	R56	RK73HB1J103J	MG RESISTOR	10kΩ 1/16W J	1	E2
	R57	RK73HB1J104J	MG RESISTOR	100kΩ 1/16W J	1	E2
	R58	RK73HB1J104J	MG RESISTOR	100kΩ 1/16W J	1	E2
	R59	RK73HB1J101J	MG RESISTOR	100Ω 1/16W J	1	E2
	R60	RK73HB1J101J	MG RESISTOR	100Ω 1/16W J	1	E2
	R61	RK73HB1J101J	MG RESISTOR	100Ω 1/16W J	1	E2
	R62	RK73HB1J101J	MG RESISTOR	100Ω 1/16W J	1	E2
	R63	RK73HB1J101J	MG RESISTOR	100Ω 1/16W J	1	E2
	R64	RK73HB1J101J	MG RESISTOR	100Ω 1/16W J	1	E2
	R65	RK73HB1J103J	MG RESISTOR	10kΩ 1/16W J	1	E2
	R66	RK73HB1J103J	MG RESISTOR	10kΩ 1/16W J	1	E2
	R67	RK73HB1J103J	MG RESISTOR	10kΩ 1/16W J	1	E2
	R68	RK73HB1J103J	MG RESISTOR	10kΩ 1/16W J	1	E2
	R69	RK73HB1J101J	MG RESISTOR	100Ω 1/16W J	1	E2

MODEL	MARK	MODEL	MARK	MODEL	MARK	MODEL	MARK
DDX375BT	K0	DDX395	K1	DDX4018BT	E1	DDX4018BT	X1
DDX4018DAB	E2						

Safe	Symbol No.	Parts No.	Parts Name	Description	QTY	Local	
	R70	RK73HB1J101J	MG RESISTOR	100Ω 1/16W J	1	E2	
	R71	RK73HB1J101J	MG RESISTOR	100Ω 1/16W J	1	E2	
	R72	RK73HB1J101J	MG RESISTOR	100Ω 1/16W J	1	E2	
	R73	RK73HB1J101J	MG RESISTOR	100Ω 1/16W J	1	E2	
	R74	RK73HB1J101J	MG RESISTOR	100Ω 1/16W J	1	E2	
	R79	RK73HB1J103J	MG RESISTOR	10kΩ 1/16W J	1	E2	
	R80	RK73HB1J103J	MG RESISTOR	10kΩ 1/16W J	1	E2	
	R81	RK73HB1J470J	MG RESISTOR	47Ω 1/16W J	1	E2	
	R82	RK73HB1J470J	MG RESISTOR	47Ω 1/16W J	1	E2	
	R83	RK73HB1J470J	MG RESISTOR	47Ω 1/16W J	1	E2	
	R84	RK73HB1J470J	MG RESISTOR	47Ω 1/16W J	1	E2	
	R88	RK73HB1J470J	MG RESISTOR	47Ω 1/16W J	1	E2	
	R89	RK73HB1J470J	MG RESISTOR	47Ω 1/16W J	1	E2	
	R90	RK73HB1J470J	MG RESISTOR	47Ω 1/16W J	1	E2	
	R91	RK73GB2A102J	MG RESISTOR	1kΩ 1/10W J	1	E2	
	R92	RK73GB2A102J	MG RESISTOR	1kΩ 1/10W J	1	E2	
	R93	RK73GB2A102J	MG RESISTOR	1kΩ 1/10W J	1	E2	
	R95	RK73HB1J105J	MG RESISTOR	1MΩ 1/16W J	1	E2	
	R96	RK73HB1J000J	MG RESISTOR	0Ω 1/16W J	1	E2	
	R97	RK73HB1J000J	MG RESISTOR	0Ω 1/16W J	1	E2	
	R98	RK73HB1J000J	MG RESISTOR	0Ω 1/16W J	1	E2	
	R99	RK73HB1J000J	MG RESISTOR	0Ω 1/16W J	1	E2	
	R100	RK73HB1J000J	MG RESISTOR	0Ω 1/16W J	1	E2	
	R102	RK73HB1J000J	MG RESISTOR	0Ω 1/16W J	1	E2	
	R105	RK73GB2A102J	MG RESISTOR	1kΩ 1/10W J	1	E2	
	L2	LK73G0BER12K	M.CHIP INDUCTOR		1	E2	
	L3	LK73G0BE82NK	M.CHIP INDUCTOR		1	E2	
	L4	LK73G0BER12K	M.CHIP INDUCTOR		1	E2	
	L5	L1K-0001-00	BALUN TRANS		1	E2	
	L6	LK73G0BE1R8K	M.CHIP INDUCTOR		1	E2	
	L7	LK73G0BER39K	M.CHIP INDUCTOR		1	E2	
	L8	LK73G0BE100K	M.CHIP INDUCTOR		1	E2	
	L10	LK73G0BF33NJ	M.CHIP INDUCTOR		1	E2	
	L11	LK73G0BF68NJ	M.CHIP INDUCTOR		1	E2	
	L12	LK73G0BFR15J	M.CHIP INDUCTOR		1	E2	
	L13	LK73G0BFR15J	M.CHIP INDUCTOR		1	E2	
	L14	LK73G0BF3N3S	M.CHIP INDUCTOR		1	E2	
	L15	LK73G0BF5N6S	M.CHIP INDUCTOR		1	E2	
	L16	LK73G0BF10NJ	M.CHIP INDUCTOR		1	E2	
	L17	LK73G0BF10NJ	M.CHIP INDUCTOR		1	E2	
	L18	LK73G0BF82NJ	M.CHIP INDUCTOR		1	E2	
	L20	LK73G0BFR22J	M.CHIP INDUCTOR		1	E2	
	L21	LK73G0BFR22J	M.CHIP INDUCTOR		1	E2	
	L22	LB73G0BP-001	CHIP FERRITE		1	E2	
	L23	LB73G0BP-001	CHIP FERRITE		1	E2	
	L24	LB73G0BP-001	CHIP FERRITE		1	E2	
	L26	LB73G0BP-001	CHIP FERRITE		1	E2	
	L29	LB73H0CG-001	CHIP FERRITE		1	E2	
	L30	LB73H0CG-001	CHIP FERRITE		1	E2	
	CN1	EA110AD-2017B	W TO B CONNE		1	E2	
	CN2	EA110AD-2007B	W TO B CONNE		1	E2	
	J1	QNB0353-001	ANT TERMINAL		1	E2	
	TH1	FSMD035-R	P THERMISTOR		1	E2	
	VA1	F0K-0014-00	SURGE ABSORBER		1	E2	
	X1	L7J-0028-00	QUARTZ CRYSTAL		1	E2	
	X2	L7J-0027-00	QUARTZ CRYSTAL		1	E2	
	DVD MECHA PWB ASSY (XJE-020J-01) <XJE>						
	IC1	BD8205EFV-M	BIPOLAR IC		1		
	IC301	MN2DS0041MD	IC		1		
	IC381	WZZ-0062-00	PROGRAMMED IC		1		
	IC391	M12L1281686TN	DRAM IC		1		
	IC921	BD12KA5FP	ANALOG IC		1		
	Q12	LTC044EEBFS8	DIGI TRANSISTOR		1		
	Q101	2SB1709MG	TRANSISTOR		1		
	Q102	2SB1709MG	TRANSISTOR		1		
	Q103	LTC014EEBFS8	DIGI TRANSISTOR		1		
	Q107	UMX1N	DUAL TRANSISTOR		1		
	Q108	SSM6N15AFEM	DUAL FET		1		
	Q302	LTC044EEBFS8	DIGI TRANSISTOR		1		
	C1	CK73EXR1C226M	C CAPACITOR	22uF 16V M	1		
	C4	CK73FXR0J226M	C CAPACITOR	22uF 6.3V M	1		
	C5	CK73FXR0J226M	C CAPACITOR	22uF 6.3V M	1		
	C6	CK73FXR0J226M	C CAPACITOR	22uF 6.3V M	1		
	C7	CK73FXR0J226M	C CAPACITOR	22uF 6.3V M	1		
	C8	CK73FXR0J226M	C CAPACITOR	22uF 6.3V M	1		
	C9	CK73HBB1H222K	C CAPACITOR	2200pF 50V K	1		
	C10	CK73HBB1H222K	C CAPACITOR	2200pF 50V K	1		
	C11	CK73HBB1H222K	C CAPACITOR	2200pF 50V K	1		
	C12	CK73HBB1H222K	C CAPACITOR	2200pF 50V K	1		
	C14	CK73HBB1H471K	C CAPACITOR	470pF 50V K	1		
	C20	CK73HXR1C104K	C CAPACITOR	0.1uF 16V K	1		
	C26	CK73HBB1H472K	C CAPACITOR	4700pF 50V K	1		
	C27	CK73HBB1H471K	C CAPACITOR	470pF 50V K	1		
	C28	CK73HBB1H471K	C CAPACITOR	470pF 50V K	1		
	C29	CK73HBB1H471K	C CAPACITOR	470pF 50V K	1		
	C30	CK73HBB1H471K	C CAPACITOR	470pF 50V K	1		
	C31	CK73HBB1H471K	C CAPACITOR	470pF 50V K	1		
	C32	CK73GBB1H471K	C CAPACITOR	470pF 50V K	1		
	C33	CK73HBB1H471K	C CAPACITOR	470pF 50V K	1		
	C34	CK73HBB1H471K	C CAPACITOR	470pF 50V K	1		
	C35	CK73HBB1H472K	C CAPACITOR	4700pF 50V K	1		

MODEL	MARK	MODEL	MARK	MODEL	MARK	MODEL	MARK
DDX375BT	K0	DDX395	K1	DDX4018BT	E1	DDX4018BT	X1
DDX4018DAB	E2						

Safe	Symbol No.	Parts No.	Parts Name	Description	QTY	Local
	C36	CK73HBB1H472K	C CAPACITOR	4700pF 50V K	1	
	C37	CK73HBB1H472K	C CAPACITOR	4700pF 50V K	1	
	C101	CK730BS0J105K	C CAPACITOR	1uF 6.3V K	1	
	C102	CK730BY0J476M	C CAPACITOR	47uF 6.3V M	1	
	C103	CK730BY0J476M	C CAPACITOR	47uF 6.3V M	1	
	C105	CK73HBB1A104K	C CAPACITOR	0.1uF 10V K	1	
	C106	CK73HBB1A104K	C CAPACITOR	0.1uF 10V K	1	
	C107	CK73HBB1A104K	C CAPACITOR	0.1uF 10V K	1	
	C108	CK73HBB1A104K	C CAPACITOR	0.1uF 10V K	1	
	C109	CK73HBB1A104K	C CAPACITOR	0.1uF 10V K	1	
	C110	CK73HBB1A104K	C CAPACITOR	0.1uF 10V K	1	
	C111	CK730BS0J105K	C CAPACITOR	1uF 6.3V K	1	
	C112	CK730BW0J226M	C CAPACITOR	22uF 6.3V M	1	
	C113	CK73HBB1A104K	C CAPACITOR	0.1uF 10V K	1	
	C121	CK73HBB1A104K	C CAPACITOR	0.1uF 10V K	1	
	C122	CK73HBB1C333K	C CAPACITOR	0.033uF 16V K	1	
	C123	CK73HBB1A104K	C CAPACITOR	0.1uF 10V K	1	
	C124	CK73HBB1A104K	C CAPACITOR	0.1uF 10V K	1	
	C133	NCJA1AK-684W-A	C CAPACITOR	0.68uF 10V K	1	
	C134	NCJA1AK-684W-A	C CAPACITOR	0.68uF 10V K	1	
	C135	CK73HBB1A104K	C CAPACITOR	0.1uF 10V K	1	
	C136	CK73HBB1A104K	C CAPACITOR	0.1uF 10V K	1	
	C137	CK73HBB1A104K	C CAPACITOR	0.1uF 10V K	1	
	C138	CK73HBB1A104K	C CAPACITOR	0.1uF 10V K	1	
	C151	CK73HBB1A104K	C CAPACITOR	0.1uF 10V K	1	
	C170	CK73HBB1A104K	C CAPACITOR	0.1uF 10V K	1	
	C201	CK73FXR0J226M	C CAPACITOR	22uF 6.3V M	1	
	C202	CK73HXR1C104K	C CAPACITOR	0.1uF 16V K	1	
	C203	CK73HXR1C104K	C CAPACITOR	0.1uF 16V K	1	
	C204	CK73GXR0J475K	C CAPACITOR	4.7uF 6.3V K	1	
	C210	CK73HBB1H152K	C CAPACITOR	1500pF 50V K	1	
	C211	CC73HCH1H151J	C CAPACITOR	150pF 50V J	1	
	C241	CK73GBB1H392K	C CAPACITOR	3900pF 50V K	1	
	C291	CK73GBB1H332K	C CAPACITOR	3300pF 50V K	1	
	C294	CK73GBB1H103K	C CAPACITOR	0.01uF 50V K	1	
	C301	CK73HBB1A104K	C CAPACITOR	0.1uF 10V K	1	
	C302	CK73HBB1A104K	C CAPACITOR	0.1uF 10V K	1	
	C303	CK73HBB1A104K	C CAPACITOR	0.1uF 10V K	1	
	C304	CK73HBB1A104K	C CAPACITOR	0.1uF 10V K	1	
	C305	CK73HBB1A104K	C CAPACITOR	0.1uF 10V K	1	
	C306	CK73HBB1A104K	C CAPACITOR	0.1uF 10V K	1	
	C307	CK73HBB1A104K	C CAPACITOR	0.1uF 10V K	1	
	C311	CK73HBB1A104K	C CAPACITOR	0.1uF 10V K	1	
	C314	CC73HCH1H151J	C CAPACITOR	150pF 50V J	1	
	C315	CK73HBB1H102K	C CAPACITOR	1000pF 50V K	1	
	C316	CK730BS0J105K	C CAPACITOR	1uF 6.3V K	1	
	C317	CK730BS0J105K	C CAPACITOR	1uF 6.3V K	1	
	C318	CK73HBB1A104K	C CAPACITOR	0.1uF 10V K	1	
	C319	CK73HBB1A104K	C CAPACITOR	0.1uF 10V K	1	
	C320	CK73HBB1A104K	C CAPACITOR	0.1uF 10V K	1	
	C322	CK73HBB1A104K	C CAPACITOR	0.1uF 10V K	1	
	C324	CK73HBB1A104K	C CAPACITOR	0.1uF 10V K	1	
	C325	CK73HBB1A104K	C CAPACITOR	0.1uF 10V K	1	
	C326	CK73HBB1E103K	C CAPACITOR	0.01uF 25V K	1	
	C327	CK73HBB1A104K	C CAPACITOR	0.1uF 10V K	1	
	C329	CK73HBB1A104K	C CAPACITOR	0.1uF 10V K	1	
	C330	CK73HBB1A104K	C CAPACITOR	0.1uF 10V K	1	
	C331	CK73HBB1A104K	C CAPACITOR	0.1uF 10V K	1	
	C332	CK73HBB1A104K	C CAPACITOR	0.1uF 10V K	1	
	C333	CK73HBB1A104K	C CAPACITOR	0.1uF 10V K	1	
	C351	CC73HCH1H120J	C CAPACITOR	12pF 50V J	1	
	C352	CC73HCH1H120J	C CAPACITOR	12pF 50V J	1	
	C382	CK73HBB1A104K	C CAPACITOR	0.1uF 10V K	1	
	C391	CK730AX0J106K	C CAPACITOR	10uF 6.3V K	1	
	C392	CK73HBB1A104K	C CAPACITOR	0.1uF 10V K	1	
	C396	CK73HBB1A104K	C CAPACITOR	0.1uF 10V K	1	
	C398	CK73HBB1A104K	C CAPACITOR	0.1uF 10V K	1	
	C511	CK73HXR1H471K	C CAPACITOR	470pF 50V K	1	
	C911	CK730BY0J476M	C CAPACITOR	47uF 6.3V M	1	
	C912	CK73HBB1A104K	C CAPACITOR	0.1uF 10V K	1	
	C913	CK730AX0J106K	C CAPACITOR	10uF 6.3V K	1	
	C921	CK730BS0J105K	C CAPACITOR	1uF 6.3V K	1	
	C923	CK730BS0J105K	C CAPACITOR	1uF 6.3V K	1	
	R12	RK73HB1J822J	MG RESISTOR	8.2kΩ 1/16W J	1	
	R17	RK73HB1J473J	MG RESISTOR	47kΩ 1/16W J	1	
	R19	RK73HB1J221J	MG RESISTOR	220Ω 1/16W J	1	
	R20	RK73HB1J221J	MG RESISTOR	220Ω 1/16W J	1	
	R21	RK73HB1J221J	MG RESISTOR	220Ω 1/16W J	1	
	R22	RK73HB1J221J	MG RESISTOR	220Ω 1/16W J	1	
	R23	RK73HH1J432D	MG RESISTOR	4.3kΩ 1/16W D	1	
	R24	RK73HB1J472J	MG RESISTOR	4.7kΩ 1/16W J	1	
	R26	RK73HB1J103J	MG RESISTOR	10kΩ 1/16W J	1	
	R34	RK73FB2B000J	MG RESISTOR	0Ω 1/8W J	1	
	R35	RK73HB1J222J	MG RESISTOR	2.2kΩ 1/16W J	1	
	R36	RK73FB2B000J	MG RESISTOR	0Ω 1/8W J	1	
	R101	RK73GB2A471J	MG RESISTOR	470Ω 1/10W J	1	
	R102	RK73HB1J471J	MG RESISTOR	470Ω 1/16W J	1	
	R103	RK73GB2A102J	MG RESISTOR	1kΩ 1/10W J	1	
	R104	RK73HB1J2R2J	MG RESISTOR	2.2Ω 1/16W J	1	
	R106	RK73HB1J000J	MG RESISTOR	0Ω 1/16W J	1	

MODEL	MARK	MODEL	MARK	MODEL	MARK	MODEL	MARK
DDX375BT	K0	DDX395	K1	DDX4018BT	E1	DDX4018BT	X1
DDX4018DAB	E2						

Safe	Symbol No.	Parts No.	Parts Name	Description	QTY	Local
	R107	RK73HB1J000J	MG RESISTOR	0Ω 1/16W J	1	
	R108	RK73GB2A000J	MG RESISTOR	0Ω 1/10W J	1	
	R111	RK73GB2A471J	MG RESISTOR	470Ω 1/10W J	1	
	R112	RK73HB1J471J	MG RESISTOR	470Ω 1/16W J	1	
	R113	RK73GB2A102J	MG RESISTOR	1kΩ 1/10W J	1	
	R114	RK73HB1J2R2J	MG RESISTOR	2.2Ω 1/16W J	1	
	R115	RZ73Z0AX180J	RESISTOR	18Ω 3/4W J	1	
	R116	RK73HB1J242J	MG RESISTOR	2.4kΩ 1/16W J	1	
	R117	RK73HB1J432J	MG RESISTOR	4.3kΩ 1/16W J	1	
	R122	RK73HB1J000J	MG RESISTOR	0Ω 1/16W J	1	
	R123	RK73HB1J103J	MG RESISTOR	10kΩ 1/16W J	1	
	R124	RK73HB1J103J	MG RESISTOR	10kΩ 1/16W J	1	
	R138	RK73HB1J000J	MG RESISTOR	0Ω 1/16W J	1	
	R151	RK73HB1J472J	MG RESISTOR	4.7kΩ 1/16W J	1	
	R165	RK73HB1J473J	MG RESISTOR	47kΩ 1/16W J	1	
	R170	RK73HH1J332D	MG RESISTOR	3.3kΩ 1/16W D	1	
	R171	RK73HH1J162D	MG RESISTOR	1.6kΩ 1/16W D	1	
	R182	RK73GB2A000J	MG RESISTOR	0Ω 1/10W J	1	
	R212	RK73GB2A223J	MG RESISTOR	22kΩ 1/10W J	1	
	R214	RK73GB2A103J	MG RESISTOR	10kΩ 1/10W J	1	
	R215	RK73GB2A203J	MG RESISTOR	20kΩ 1/10W J	1	
	R216	RK73GB2A104J	MG RESISTOR	100kΩ 1/10W J	1	
	R217	RK73HB1J222J	MG RESISTOR	2.2kΩ 1/16W J	1	
	R218	RK73HB1J752J	MG RESISTOR	7.5kΩ 1/16W J	1	
	R219	RK73HB1J822J	MG RESISTOR	8.2kΩ 1/16W J	1	
	R220	RK73HB1J223J	MG RESISTOR	22kΩ 1/16W J	1	
	R221	RK73HB1J823J	MG RESISTOR	82kΩ 1/16W J	1	
	R230	RK73HB1J102J	MG RESISTOR	1kΩ 1/16W J	1	
	R241	RK73GB2A123J	MG RESISTOR	12kΩ 1/10W J	1	
	R301	RK73HB1J103J	MG RESISTOR	10kΩ 1/16W J	1	
	R302	RK73HB1J101J	MG RESISTOR	100Ω 1/16W J	1	
	R303	RK73HB1J101J	MG RESISTOR	100Ω 1/16W J	1	
	R304	RK73HB1J101J	MG RESISTOR	100Ω 1/16W J	1	
	R308	RK73HB1J331J	MG RESISTOR	330Ω 1/16W J	1	
	R310	RK73HH1J102D	MG RESISTOR	1kΩ 1/16W D	1	
	R311	RK73HB1J223J	MG RESISTOR	22kΩ 1/16W J	1	
	R314	RK73GB2A393J	MG RESISTOR	39kΩ 1/10W J	1	
	R315	RK73GB2A472J	MG RESISTOR	4.7kΩ 1/10W J	1	
	R319	RK73GH2A243D	MG RESISTOR	24kΩ 1/10W D	1	
	R323	RK73HB1J104J	MG RESISTOR	100kΩ 1/16W J	1	
	R327	RK73HB1J270J	MG RESISTOR	27Ω 1/16W J	1	
	R351	RK73HB1J105J	MG RESISTOR	1MΩ 1/16W J	1	
	R352	RK73HB1J102J	MG RESISTOR	1kΩ 1/16W J	1	
	R386	RK73HB1J184J	MG RESISTOR	180kΩ 1/16W J	1	
	R702	RK73HB1J102J	MG RESISTOR	1kΩ 1/16W J	1	
	R911	RK73POCMR18J	MG RESISTOR		1	
	L1	LB73H0CT-002	CHIP FERRITE		1	
	L2	LB73H0CT-002	CHIP FERRITE		1	
	L3	LB73H0CT-002	CHIP FERRITE		1	
	L4	LB73H0CT-002	CHIP FERRITE		1	
	L5	LB73H0CT-002	CHIP FERRITE		1	
	L6	LB73H0CT-002	CHIP FERRITE		1	
	L7	LB73H0CT-002	CHIP FERRITE		1	
	CN101	EC720AA-0524A	FFC FPC CONNE		1	
	CN201	EA720AM-1206A	W TO B CONNE		1	
	CN202	EA720AM-1202A	W TO B CONNE		1	
	CN301	EA720AM-1202A	W TO B CONNE		1	
	CN401	QGF0534F7-35X	FFC/FPC CONNE	FFC/FPC (1-35)	1	
	CN501	QGA1501F4-03W	W TO B CONNE	W-B (1-3)	1	
	S1	S6J-0002-00	PUSH SWITCH		1	
	TH491	TH05-3H103F	N THERMISTOR		1	
	X351	NAX1135-001X	CRYSTAL		1	