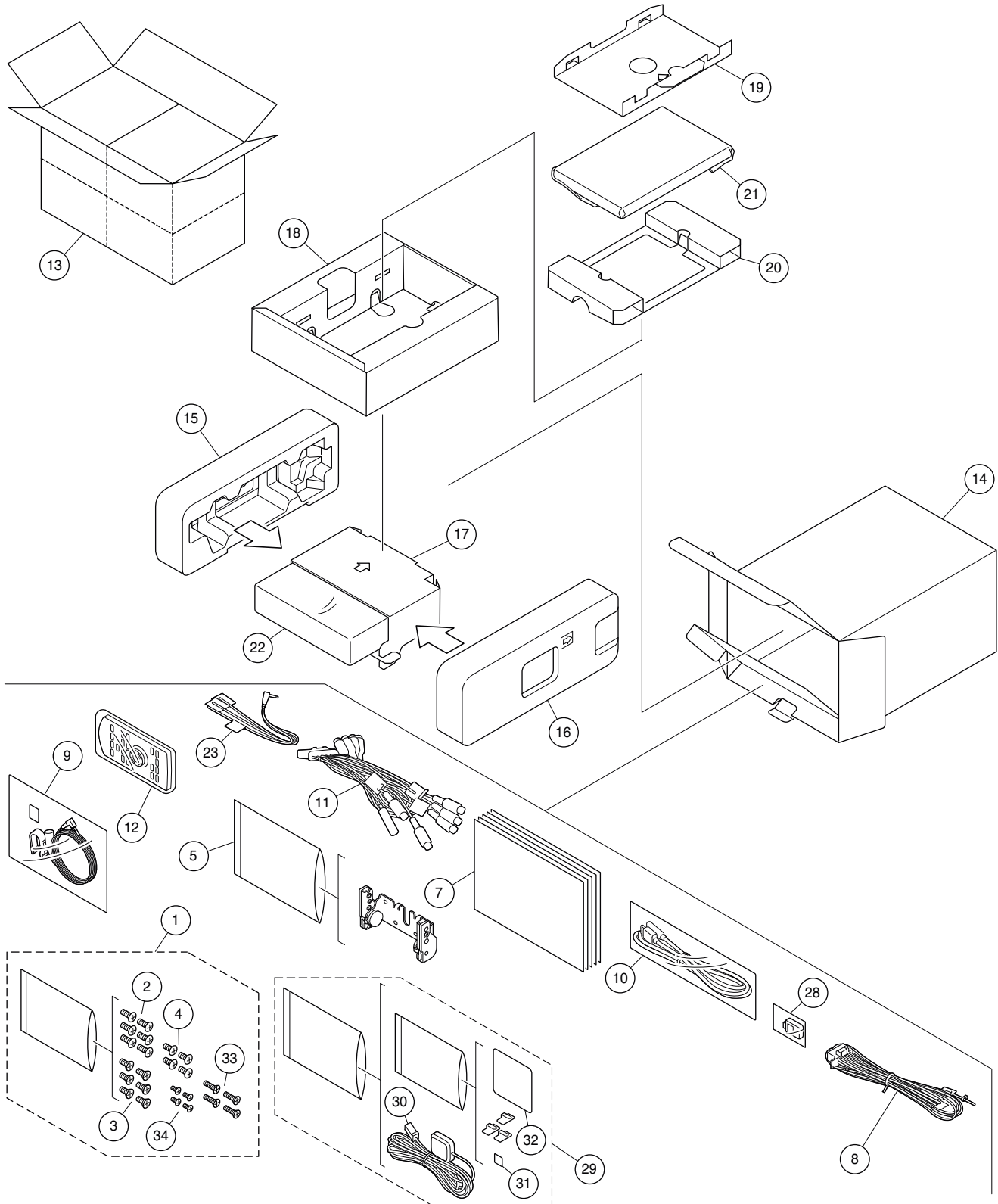


# 9. EXPLODED VIEWS AND PARTS LIST

- NOTES :
- Parts marked by "\*" are generally unavailable because they are not in our Master Spare Parts List.
  - The  $\Delta$  mark found on some component parts indicates the importance of the safety factor of the part. Therefore, when replacing, be sure to use parts of identical designation.
  - Screw adjacent to  $\nabla$  mark on the product are used for disassembly.
  - For the applying amount of lubricants or glue, follow the instructions in this manual.  
(In the case of no amount instructions, apply as you think it appropriate.)

## 9.1 PACKING



**(1) PACKING SECTION PARTS LIST**

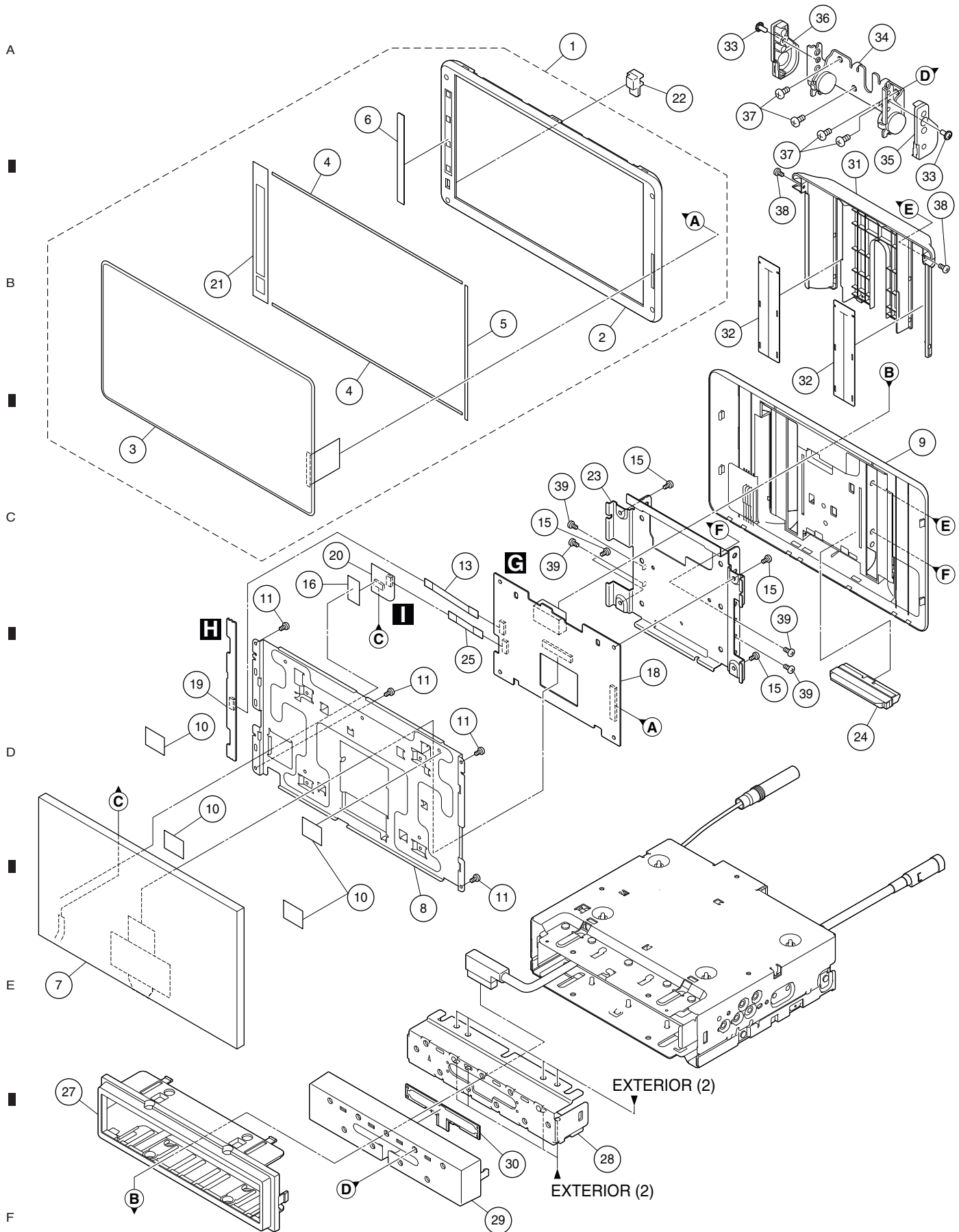
<u>Mark No.</u>	<u>Description</u>	<u>Part No.</u>	<u>Mark No.</u>	<u>Description</u>	<u>Part No.</u>
	1 Accessory Assy	See Contrast table (2)	16	Protector	CHP4685
A	2 Screw	BMZ50P080FTC	17	Protector	CHP5808
	3 Screw	See Contrast table (2)	18	Protector	See Contrast table (2)
	4 Screw (M4 x 6)	CBA2425	19	Protector	See Contrast table (2)
	5 Aircap	CEG1081	20	Protector	See Contrast table (2)
	6 .....		21	Cover	See Contrast table (2)
	7-1 Quick Start Guide	See Contrast table (2)	22	Polyethylene Bag	See Contrast table (2)
	7-2 Installation Manual	See Contrast table (2)	23	Cord Assy	See Contrast table (2)
*	7-3 Warranty Card	See Contrast table (2)	24	.....	
	7-4 Owner's Manual	See Contrast table (2)	25	.....	
B	* 7-5 Caution Card	CRP1542	26	.....	
	* 7-6 Caution Card	CRP1543	27	.....	
	8 Cord Assy	CDP1666	28	Adapter	CDP1884
	9 Microphone Assy (3 m)	CPM1113	29	GPS Antenna Assy	CXF1333
	10 USB Extended Cable	CDP1881	30	GPS Antenna	CYX1104
	11 Cord Assy	CDP1888	31	DS Tape	CYN1012
	12 Card Remote Control Unit	CXE5116	32	Grand Sheet	CZN7151
	13 Contain Box	See Contrast table (2)	33	Screw (M4 x 12)	CBA2426
	14 Unit Box	See Contrast table (2)	34	Screw	IMS20P040FTB
C	15 Protector	CHP4684			

**(2) CONTRAST TABLE**

DMH-WT8600NEX/XNUC, DMH-WT7600NEX/XNUC and DMH-ZF9350BT/XNGS are constructed the same except for the following:

<u>Mark</u>	<u>No.</u>	<u>Description</u>	<u>DMH-WT8600NEX/XNUC</u>	<u>DMH-WT7600NEX/XNUC</u>	<u>DMH-ZF9350BT/XNGS</u>
	1	Accessory Assy	CEY1149	CEY1149	CEY1150
	3	Screw	CMZ50P080FTC	CMZ50P080FTC	Not used
D	* 7-1	Quick Start Guide	CRD5179	CRD5179	CRD5183
	7-2	Installation Manual	CRD5181	CRD5181	Not used
	7-3	Warranty Card	QRY3001	QRY3001	Not used
	7-4	Owner's Manual	See Contents of Web IM (3)	See Contents of Web IM (3)	See Contents of Web IM (3)
	13	Contain Box	CHD4677	CHL9840	CHL9841
	14	Unit Box	CHA4677	CHG9753	CHG9754
	18	Protector	CHP5817	CHP5802	CHP5802
	19	Protector	CHP5818	CHP5691	CHP5691
	20	Protector	CHP5819	CHP5811	CHP5811
	21	Cover	CEG1419	CEG1419	CEG1356
	22	Polyethylene Bag	CEG1173	CEG1173	QEG3001
E	23	Cord Assy	Not used	Not used	CDP1894

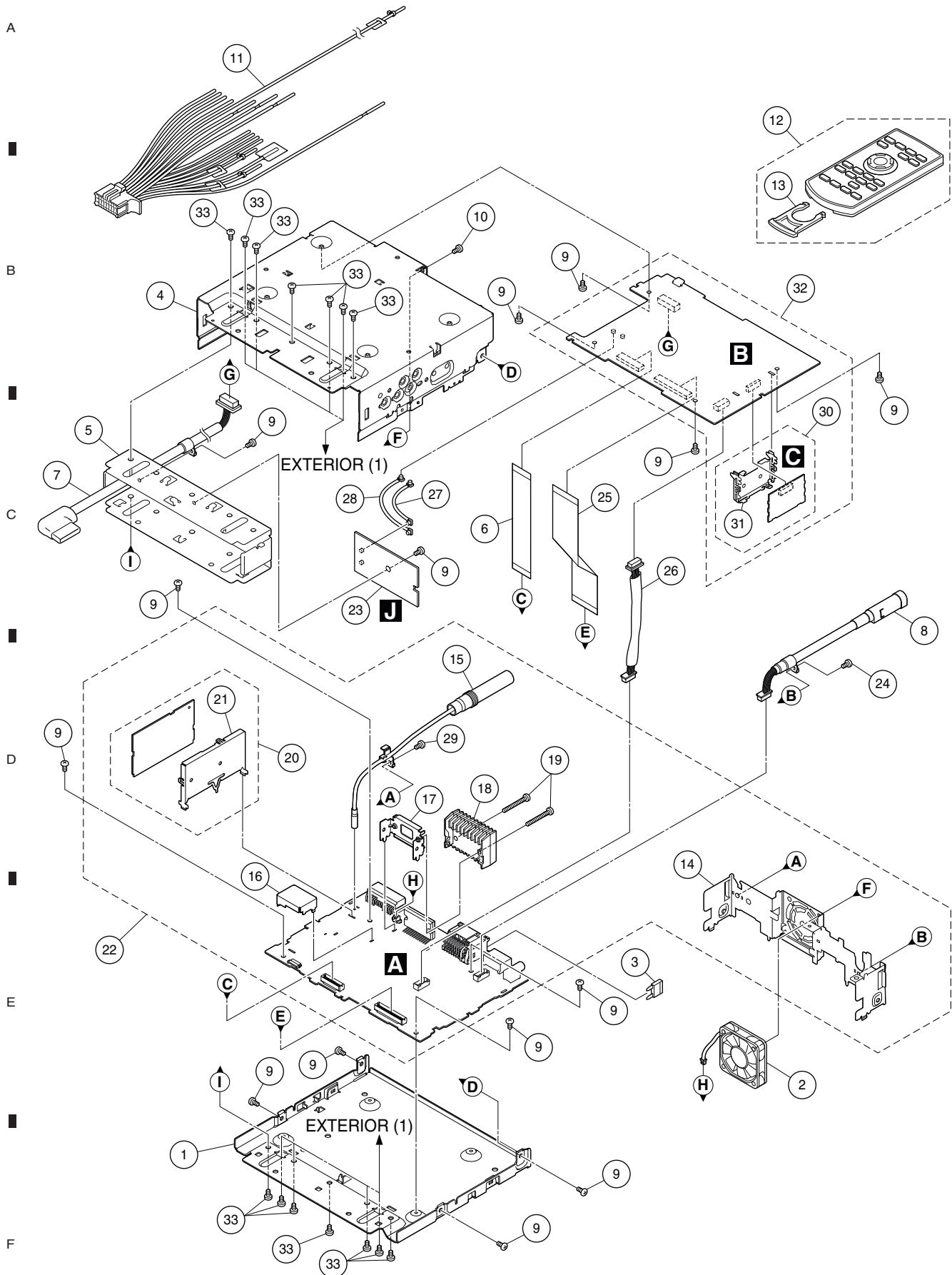
# 9.3 EXTERIOR (1) (WT7600NEX/XNUC, ZF9350BT/XNGS)



**EXTERIOR (1) (WT7600NEX/XNUC, ZF9350BT/XNGS) SECTION PARTS LIST**

<u>Mark No.</u>	<u>Description</u>	<u>Part No.</u>	
1	Grille Assy	CXF2641	
* 2	Grille	CNU4447	A
3	Touch Panel	CSX1412	
4	DS Tape	CNN5751	
5	DS Tape	CNN5796	
6	Light-D Sheet	CNN5753	
7	TFT LCD	CWX5040	
8	Holder	CND8205	
9	Cover	CNU4452	
10	Cushion	CNN5775	
11	Screw	BPZ20P060FTC	B
12	*****		
13	FFC	CDD1317	
14	*****		
15	Screw	ASZ26P050FTC	
16	DS Tape	CNN5776	
17	*****		
18	Service Unit (Monitor)	CXY5451	
19	Service Unit (ILM)	CXY6666	
20	Service Unit (BL)	CXY6667	C
21	DS Tape	CNN5797	
22	Lighting Conductor	CNW4094	
23	Bracket Unit	CXF2754	
24	Lighting Conductor	CNW4092	
25	FFC	CDD1318	
26	*****		
27	Panel	CNU4477	
28	Bracket	CND8227	
29	Cover	CNU4478	
30	Cover	CNN5778	D
31	Cover	CNU4453	
32	Cover	CNN5777	
33	Screw	ISS26P055FTC	
34	Frame Unit	CXF2700	
35	Holder	CNW4107	
36	Holder	CNW4108	
37	Screw (M4 x 6)	CBA2425	
38	Screw	IMS20P040FTB	E
39	Screw (M4 x 12)	CBA2426	

# 9.4 EXTERIOR (2)



**(1) EXTERIOR (2) SECTION PARTS LIST**

<u>Mark No.</u>	<u>Description</u>	<u>Part No.</u>	<u>Mark No.</u>	<u>Description</u>	<u>Part No.</u>
1	Chassis	CNA3508	17	Holder	CND7490
2	Fan Motor	CXM1476	18	Heat Sink	CNR2181
⚠ 3	Fuse (10 A)	YEK5001	19	Screw	BSZ26P160FTC
4	Case	CNB4122	20	WWR Unit (U4001)	See Contrast table (2)
5	Bracket	CND8226	21	Holder	See Contrast table (2)
6	FFC	CDD1307	22	Service Unit (AV)	See Contrast table (2)
7	Cord Assy	CDF1359	23	Service Unit (Antenna)	CXY6665
8	Cord Assy	See Contrast table (2)	24	Screw	See Contrast table (2)
9	Screw	BSZ26P060FTC	25	FFC	CDD1308
10	Screw	BPZ30P080FTC	26	Cord Assy	CDF1396
11	Cord Assy	CDP1666	27	Coaxial Cable	CDF1399
12	Card Remote Control Unit	CXE5116	28	Coaxial Cable	CDF1400
13	Battery Cover	CNU1624	29	Screw	BSZ26P060FTC
14	Holder	See Contrast table (2)	30	CHIPS C Unit	CWX4989
15	Antenna Pigtail Cable	CDH1409	31	Holder	CND6958
16	Shield Case	CND7762	32	Service Unit (Media)	See Contrast table (2)
			33	Screw	BMZ30P060FTC

**(2) CONTRAST TABLE**

DMH-WT8600NEX/XNUC, DMH-WT7600NEX/XNUC and DMH-ZF9350BT/XNGS are constructed the same except for the following:

Mark	No.	Description	DMH-WT8600NEX/XNUC	DMH-WT7600NEX/XNUC	DMH-ZF9350BT/XNGS
	8	Cord Assy	CDF1290	CDF1290	Not used
	14	Holder	CND8075	CND8075	CND8077
	20	WWR Unit (U4001)	CWE2590	CWE2590	Not used
	21	Holder	CND6449	CND6449	Not used
	22	Service Unit (AV)	CXY5455	CXY5443	CXY5445
	24	Screw	BSZ26P060FTC	BSZ26P060FTC	Not used
	32	Service Unit (Media)	CXY5456	CXY5447	CXY5449



5  
**Circuit Symbol and No.**

6  
**Part No.**

7  
**Circuit Symbol and No.**

8  
**Part No.**

D	1704	Diode	RSB18V
D	1706	Diode	RSB18V
D	1707	Diode	RSB18V
D	1708	Diode	RSB18V
D	1709	Diode	RSB18V
D	1710	Diode	RSB18V
D	1712	Diode	RSB18V
D	1713	Diode	RSB18V
D	1714	Diode	RSB18V
D	1715	Diode	RSB18V
D	8451	Diode	EZAEG2A50AX
D	8452	Diode	EZAEG2A50AX
D	8453	Zener Diode	RSB6R8SM
L	1	Choke Coil 120 uH	CTH1636
L	5	Choke Coil 3.6 uH (C)	CTH1479
L	301	SMD SPL Inductor	CTH1674
L	351	Choke Coil 6.8 uH	CTH1481
L	801	Inductor	CTF1786
L	802	Inductor	CTF1786
L	803	Inductor	CTF1786
L	1001	Inductor	CTF1786
L	1002	Inductor	CTF1786
L	1705	Chip Beads	VTL1126
L	1706	Chip Beads	VTL1126
L	1707	Chip Beads	VTL1126
L	1708	Chip Beads	VTL1126
L	1709	Chip Beads	VTL1126
L	1710	Chip Beads	VTL1126
L	1711	Chip Beads	VTL1126
L	1712	Chip Beads	VTL1126
L	1713	Chip Beads	VTL1126
L	1714	Chip Beads	VTL1126
L	1715	Chip Beads	VTL1126
L	1716	Chip Beads	VTL1126
L	1717	Chip Beads	VTL1126
L	1718	Chip Beads	VTL1126
L	1719	Chip Beads	VTL1126
L	1720	Chip Beads	VTL1126
L	1721	Chip Beads	VTL1126
L	1722	SMD Ferrite Beads	CTF1869
L	1723	Chip Beads	VTL1126
L	1724	Chip Beads	VTL1126
L	1725	Chip Beads	VTL1126
L	1726	Chip Beads	VTL1126
L	1728	Chip Beads	VTL1126
L	8401	SMD Ferrite Beads	CTF1893
L	8403	Inductor	LCTC150K1608
L	8405	Inductor	LCMAR27J1608
L	8407	Inductor	LCMAR22J1608
L	8409	Inductor	CTF1787
X	401	Crystal Resonator 12.500 MHz	CSS1839
X	701	Resonator 12.288 MHz	CSS1811
X	8401	Crystal Resonator 55.466 67 MHz	CSS1898
⚠	P101	Fuse 8.0 A	CEK1263
⚠	P102	Poly Switch (A, B)	FSMD110-24R
⚠	P103	Fuse 8.0 A	CEK1263
⚠	P1701	Poly Switch (C)	FSMD075-24R
⚠	P1704	Poly Switch	FSMD075-24R

⚠	P1705	Poly Switch	FSMD075-24R
P	8451	Surge Absorber	ISMA-6803-01Y900
CN	101	Connector	CKS4674
CN	102	Connector	CKS4822
CN	1401	Connector (A, B)	CKS4674
CN	1601	Connector	CKS6206
CN	1602	FFC/FPC Connector	CKS6543
CN	1701	Connector (C)	CKS4497
CN	1702	Connector	CKS6947
JA	1	Connector	CKM1613
JA	1701	3.5 DIA Jack	CKS6437
U	4001	WWR Unit (A, B)	CWE2590

**RESISTORS**

R	2	(A, B)	RS1/4SA0R0J
R	3		RS1/16SS103J
R	4		RS1/16SS473J
R	5		RS1/16SS472J
R	6		RS1/16SS104J
R	7		RS1/16SS473J
R	8		RS1/4SA102J
R	9		RS1/16SS103J
R	10		RS1/16SS472J
R	11		RS1/4SA102J
R	12		RS1/16SS473J
R	13		RS1/16SS104J
R	14		RS1/16SS472J
R	15		RS1/4SA102J
R	16		RS1/16SS102J
R	17		RS1/16SS473J
R	18		RS1/16SS223J
R	19		RS1/16SS103J
R	20		RS1/16SS223J
R	21		RS1/16SS102J
R	22		RS1/16SS473J
R	23		RS1/16SS103J
R	24		RS1/16SS473J
R	25		RS1/16SS104J
R	26		RS1/16SS473J
R	27		RS1/16SS563J
R	28		RS1/16SS513J
R	29		RS1/16SS104J
R	30		RS1/16SS513J
R	31		RS1/16SS513J
R	32		RS1/16SS102J
R	33		RS1/16SS102J
R	34		RS1/16SS564J
R	35		RS1/16SS822J
R	36		RS1/16SS202J
R	37		RS1/16SS203J
R	38		RS1/10SR0R0J
R	39		RS1/16SS104J
R	40		RS1/16SS333J
R	111		RS1/16SS471J
R	112		RS1/16SS103J
R	113		RS1/16SS682J
R	116		RS1/16SS222J
R	117		RS1/16SS222J
R	119		RS1/16SS473J

	1	2	3	4
	<u>Circuit Symbol and No.</u>	<u>Part No.</u>	<u>Circuit Symbol and No.</u>	<u>Part No.</u>
	R 120	RS1/16SS222J	R 450	RS1/16SS822J
	R 121	RS1/16SS622J	R 451	RS1/16SS471J
	R 122	RS1/16SS162J	R 453	RS1/16SS473J
A	R 125	RS1/16SS8202D	R 454	RS1/16SS101J
	R 126	RS1/16SS2701D	R 455	RS1/16SS221J
	R 127	RS1/16SS8201D	R 456	RS1/16SS221J
	R 203 (A, B)	RS1/16SS102J	R 458	RS1/16SS473J
	R 205 (A, B)	RS1/16SS102J	R 459	RS1/16SS221J
	R 208	RS1/16SS102J	R 460	RS1/16SS221J
	R 210 (A, B)	RS1/10SR0R0J	R 461	RS1/16SS471J
	R 211 (A, B)	RS1/10SR0R0J	R 462	RS1/16SS221J
	R 223 (A, B)	RS1/10SR0R0J	R 463	RS1/16SS104J
	R 302	RS1/16SS3603D	R 465	RS1/16SS104J
	R 303	RS1/16SS6202D	R 466 (B, C)	RS1/16SS104J
B	R 304	RS1/16SS822J	R 467 (A)	RS1/16SS104J
	R 307	RS1/8SQ331J	R 468 (C)	RS1/16SS104J
	R 352	RS1/16SS1503D	R 470 (C)	RS1/16SS104J
	R 353	RS1/16SS3602D	R 473 (C)	RS1/16SS104J
	R 354	RS1/16SS103J	R 474	RS1/16SS0R0J
	R 357	RS1/8SQ331J	R 475	RS1/16SS101J
	R 401	RS1/16SS0R0J	R 477	RS1/16SS222J
	R 404	RS1/16SS472J	R 478	RS1/16SS221J
	R 405	RS1/16SS104J	R 479	RS1/16SS104J
	R 406	RS1/16SS473J	R 480	RS1/16SS222J
	R 407	RS1/16SS473J	R 481	RS1/16SS221J
C	R 408	RS1/16SS221J	R 482	RS1/16SS104J
	R 409	RS1/16SS101J	R 483	RS1/16SS104J
	R 410	RS1/16SS471J	R 484	RS1/16SS101J
	R 411	RS1/16SS103J	R 486	RS1/16SS0R0J
	R 412	RS1/16SS103J	R 489	RS1/16SS471J
	R 413	RS1/16SS471J	R 490	RS1/16SS103J
	R 414	RS1/16SS473J	R 491	RS1/16SS473J
	R 415	RS1/16SS471J	R 494 (A, B)	RS1/16SS101J
	R 416	RS1/16SS104J	R 495 (A, B)	RS1/16SS222J
	R 417	RS1/16SS182J	R 496	RS1/16SS101J
D	R 419	RS1/16SS101J	R 499 (C)	RS1/16SS6800D
	R 420	RS1/16SS104J	R 501	RS1/16SS222J
	R 422	RS1/16SS102J	R 502 (C)	RS1/16SS8201D
	R 423	RS1/16SS0R0J	R 503 (C)	RS1/16SS8201D
	R 424	RS1/16SS102J	R 504 (A, B)	RS1/16SS102J
	R 425	RS1/16SS104J	R 504 (C)	RS1/16SS1001D
	R 426	RS1/16SS473J	R 505	RS1/16SS101J
	R 427	RS1/16SS121J	R 506	RS1/16SS101J
	R 429	RS1/16SS121J	R 508	RS1/16SS222J
	R 431	RS1/16SS102J	R 509	RS1/16SS101J
	R 432	RS1/16SS222J	R 510	RS1/16SS0R0J
E	R 433	RS1/16SS222J	R 512	RS1/16SS101J
	R 434	RS1/16SS101J	R 513	RS1/16SS101J
	R 435	RS1/16SS101J	R 514	RS1/16SS101J
	R 436	RS1/16SS682J	R 515 (A, B)	RS1/16SS101J
	R 439 (A, B)	RS1/16SS102J	R 516 (A, B)	RS1/16SS101J
	R 440 (A, B)	RS1/16SS104J	R 517	RS1/16SS101J
	R 442	RS1/16SS222J	R 519	RS1/16SS0R0J
	R 444	RS1/16SS101J	R 520 (A, B)	RS1/16SS221J
	R 445 (A, B)	RS1/16SS102J	R 521	RS1/16SS473J
	R 445 (C)	RS1/16SS1001D	R 522	RS1/16SS101J
F	R 446 (C)	RS1/16SS6800D	R 523	RS1/16SS101J
	R 447	RS1/16SS103J	R 524 (C)	RS1/16SS473J
	R 448	RS1/16SS182J	R 525 (C)	RS1/16SS104J
	R 449	RS1/16SS104J	R 526 (C)	RS1/16SS473J

5		6	7	8	
<u>Circuit Symbol and No.</u>		<u>Part No.</u>	<u>Circuit Symbol and No.</u>	<u>Part No.</u>	
R	531	RS1/16SS103J	R	762	RS1/16SS104J
R	532	RS1/16SS221J	R	763	RS1/16SS151J
R	533	RS1/16SS104J	R	801	RS1/16SS0R0J
R	536	RS1/16SS104J	R	805	RS1/10SR821J
R	537	RS1/16SS104J	R	806	RS1/16SS821J
					A
R	601 (C)	RS1/16SS101J	R	807	RS1/10SR821J
R	602 (C)	RS1/16SS101J	R	808	RS1/10SR821J
R	603 (C)	RS1/16SS101J	R	809	RS1/16SS0R0J
R	604 (C)	RS1/16SS223J	R	810	RS1/16SS0R0J
R	605 (C)	RS1/16SS223J	R	812	RS1/16SS102J
R	607	RS1/16SS0R0J	R	813 (A, B)	RS1/10SR821J
R	608	RS1/16SS75R0D	R	814	RS1/16SS102J
R	609	RS1/16SS101J	R	815	RS1/16SS102J
R	610	RS1/16SS75R0D	R	816	RS1/16SS102J
R	611	RS1/16SS2200D	R	817	RS1/16SS104J
					B
R	612	RS1/16SS75R0D	R	818	RS1/16SS104J
R	613	RS1/16SS750J	R	819	RS1/16SS104J
R	616	RS1/16SS101J	R	820	RS1/16SS391J
R	617	RS1/16SS101J	R	821	RS1/16SS391J
R	618	RS1/16SS101J	R	822	RS1/16SS391J
R	619	RS1/16SS101J	R	823	RS1/16SS391J
R	620	RS1/16SS101J	R	824	RS1/16SS471J
R	621	RS1/16SS101J	R	825	RS1/16SS471J
R	623 (A, B)	RS1/16SS0R0J	R	826	RS1/16SS471J
R	624 (A, B)	RS1/16SS0R0J	R	827	RS1/16SS471J
					C
R	631	RS1/16SS470J	R	828	RS1/16SS0R0J
R	642 (C)	RS1/16SS0R0J	R	829	RS1/16SS0R0J
R	644 (C)	RS1/16SS0R0J	R	921 (A, B)	RS1/16SS473J
R	702	RS1/16SS222J	R	922 (A, B)	RS1/16SS473J
R	703	RS1/16SS470J	R	923 (A, B)	RS1/16SS473J
R	704	RS1/16SS470J	R	924 (A, B)	RS1/16SS473J
R	712	RS1/16SS101J	R	925 (A, B)	RS1/16SS0R0J
R	713	RS1/16SS470J	R	926 (A, B)	RS1/16SS473J
R	714	RS1/16SS103J	R	927 (A, B)	RS1/16SS473J
R	715	RS1/16SS103J	R	928 (A, B)	RS1/16SS473J
R	716	RS1/16SS101J	R	929 (A, B)	RS1/16SS473J
R	719	RS1/16SS2202F	R	930 (A, B)	RS1/16SS0R0J
R	730	RS1/16SS470J	R	931 (A, B)	RS1/16SS0R0J
R	731	RS1/16SS101J	R	932 (A, B)	RS1/16SS0R0J
R	732	RS1/16SS151J	R	1002	RS1/16SS222J
					D
R	733 62 ohm	CCN1418	R	1003 (A, B)	RS1/16SS104J
R	734 39 ohm	CCN1432	R	1004 (A, B)	RS1/16SS104J
R	735 39 ohm	CCN1432	R	1005 (A, B)	RS1/16SS0R0J
R	737	RS1/16SS222J	R	1006 (A, B)	RS1/16SS103J
R	738	RS1/16SS222J	R	1007 (A, B)	RS1/16SS0R0J
R	740	RS1/16SS222J	R	1008 (A, B)	RS1/16SS0R0J
R	744	RS1/16SS222J	R	1009 (A, B)	RS1/16SS0R0J
R	745	RS1/16SS103J	R	1010 (C)	RS1/16SS0R0J
R	746	RS1/16SS0R0J	R	1011 (C)	RS1/16SS0R0J
R	747	RS1/16SS0R0J	R	1012 (C)	RS1/16SS0R0J
					E
R	748	RS1/16SS103J	R	1013 (A, B)	RS1/16SS103J
R	749	RS1/16SS103J	R	1014 (A, B)	RS1/16SS103J
R	750	RS1/16SS103J	R	1015 (A, B)	RS1/16SS0R0J
R	751	RS1/16SS103J	R	1017	RS1/16SS3901D
R	754	RS1/16SS103J	R	1018	RS1/16SS3901D
R	755	RS1/16SS103J	R	1019	RS1/16SS1802D
R	758	RS1/16SS201J	R	1020	RS1/16SS1802D
R	759	RS1/16SS131J	R	1101	RS1/16SS103J
R	760	RS1/16SS104J	R	1102	RS1/16SS684J
R	761	RS1/16SS104J	R	1104	RS1/16SS100J
					F

	1	2	3	4
	<u>Circuit Symbol and No.</u>	<u>Part No.</u>	<u>Circuit Symbol and No.</u>	<u>Part No.</u>
	R 1107	RS1/16SS102J	R 1710 (C)	RS1/16SS0R0J
	R 1201	RS1/16SS0R0J	R 1711 (C)	RS1/16SS0R0J
	R 1202	RS1/16SS103J	R 1715 (C)	RS1/16SS272J
A	R 1205	RS1/16SS683J	R 1716 (C)	RS1/16SS272J
	R 1206	RS1/16SS683J	R 1717 (C)	RS1/10SR222J
	R 1207	RS1/16SS221J	R 1718 (C)	RS1/16SS562J
	R 1301 (A, B)	RS1/16SS0R0J	R 1719 (C)	RS1/16SS332J
	R 1302 (A, B)	RS1/16SS0R0J	R 1721 (C)	RS1/16SS0R0J
	R 1303 (A, B)	RS1/16SS0R0J	R 1725	RS1/16SS223J
	R 1305 (A, B)	RS1/16SS221J	R 1726	RS1/16SS223J
	R 1306 (A, B)	RS1/16SS0R0J	R 1728	RS1/16SS0R0J
	R 1307 (A, B)	RS1/16SS0R0J	R 1743	RS1/16SS223J
	R 1308 (A, B)	RS1/16SS0R0J	R 1744	RS1/16SS223J
	R 1309 (A, B)	RS1/16SS221J	R 1745	RS1/16SS223J
B	R 1310 (A, B)	RS1/16SS221J	R 1746	RS1/16SS223J
	R 1315 (A, B)	RS1/16SS0R0J	R 1747	RS1/16SS223J
	R 1316 (A, B)	RS1/16SS0R0J	R 1748	RS1/16SS223J
	R 1317 (A, B)	RS1/16SS0R0J	R 1749	RS1/16SS750J
	R 1318 (A, B)	RS1/16SS0R0J	R 1750 (C)	RS1/16SS0R0J
	R 1321 (A, B)	RS1/16SS0R0J	R 1751 (C)	RS1/16SS0R0J
	R 1322 (A, B)	RS1/16SS0R0J	R 1752 (C)	RS1/16SS0R0J
	R 1324 (A, B)	RS1/16SS103J	R 1791 (A, B)	RS1/16SS103J
	R 1325 (A, B)	RS1/16SS103J	R 1792 (C)	RS1/16SS103J
	R 1326 (A, B)	RS1/16SS103J	R 1793	RS1/16SS103J
	R 1327 (A, B)	RS1/16SS103J	R 1795 (A, C)	RS1/16SS103J
C	R 1328 (A, B)	RS1/16SS103J	R 1796 (A, B)	RS1/16SS103J
	R 1401 (A, B)	RS1/10SR471J	R 8401	RS1/16SS0R0J
	R 1402 (A, B)	RS1/16SS330J	R 8403	RS1/16SS103J
	R 1406 (A, B)	RS1/16SS0R0J	R 8406	RS1/16SS103J
	R 1407 (A, B)	RS1/16SS0R0J	R 8407	RS1/16SS472J
	R 1410 (A, B)	RS1/16SS222J	R 8408	RS1/16SS472J
	R 1412 (A, B)	RS1/16SS104J	R 8409	RS1/16SS101J
	R 1413 (A, B)	RS1/16SS471J	R 8410	RS1/16SS101J
	R 1414 (A, B)	RS1/16SS222J	R 8412	RS1/16SS391J
	R 1415 (A, B)	RS1/16SS223J	R 8413	RS1/16SS105J
D	R 1416 (A, B)	RS1/16SS223J	R 8414	RS1/16SS105J
	R 1418 (A, B)	RS1/16SS331J	R 8429 (A, B)	RS1/16SS0R0J
	R 1419 (A, B)	RS1/16SS181J	R 8443	RS1/16SS0R0J
	R 1420 (A, B)	RS1/16SS181J	R 8444	RS1/16SS0R0J
	R 1422 (A, B)	RS1/10SR102J	R 9208	RS1/10SR0R0J
	R 1423 (A, B)	RS1/10SR471J		
	R 1601	RS1/10SR0R0J		
	R 1602 (A, B)	RS1/16SS0R0J	C 2	CKSSYX105K16
	R 1603 (A, B)	RS1/16SS0R0J	C 4	CKSTYX102K50
	R 1604 (A, B)	RS1/16SS101J	C 6 (C)	CKSQYX106K35
	R 1605 (A, B)	RS1/16SS0R0J	C 7 6800 uF/16 V	CCH1468
E	R 1606	RS1/16SS0R0J	C 8 (C)	CKSQYX106K35
	R 1607	RS1/16SS0R0J	C 9 (C)	CKSTYX102K50
	R 1608	RS1/16SS0R0J	C 10	CKSTYX104K35
	R 1611	RS1/16SS0R0J	C 11	CKSTYX102K50
	R 1612	RS1/16SS0R0J	C 12	CKSTYX104K35
	R 1613	RS1/16SS0R0J	C 13	CKSTYX103K50
	R 1614	RS1/16SS0R0J		
	R 1702 (C)	RS1/16SS562J	C 14	CKSTYX104K35
	R 1703 (C)	RS1/10SR102J	C 102	CKSTYX104K35
	R 1704 (C)	RS1/10SR102J	C 103	CKSTYX104K35
	R 1706 (C)	RS1/10SR471J	C 104	CKSSBYX475M10
F	R 1707 (C)	RS1/10SR471J	C 105	CKSRYX105K25
	R 1708 (C)	RS1/16SS0R0J	C 106	CKSSYB104K16
	R 1709 (C)	RS1/16SS0R0J	C 107	CKSSYX104K50
			C 108	CKSQYX475K50

### CAPACITORS

5		6		7		8	
<u>Circuit Symbol and No.</u>		<u>Part No.</u>		<u>Circuit Symbol and No.</u>		<u>Part No.</u>	
C	109		CKSSYX105K16	C	433		CCSTCH471J25
C	110		CKSRAYX106M10	C	437		CKSTYX102K50
C	111		CKSTYX473K16	C	601		CKSSYX105K16
C	112		CKSSYX105K16	C	602 (A, B)		CKSSYX105K16
C	113		CKSTYX104K35	C	603 (A, B)		CKSSYX105K16
C	114		CKSSYB104K10	C	604 (A, B)		CKSSYX105K16
C	115		CKSTYX102K50	C	606 (C)		CKSTYX104K10
C	117		CKSTYX104K35	C	607		CKSTYX104K10
C	118		CKSQYB334K50	C	608		CKSTYX104K10
C	121		CEVW220M16	C	609		CKSTYX104K10
C	123		CKSSAYX105K25	C	610		CKSTYX104K10
C	203 (A, B)		CKSSYX105K16	C	611 (C)		CKSSYX105K16
C	205 (A, B)		CKSSYX105K16	C	612		CKSTYX104K10
C	209		CKSSYX105K16	C	613 (C)		CKSSYX105K16
C	210		CKSSYX105K16	C	614		CKSTYX104K10
C	212 (A, B)		CKSTYX103K16	C	615 (C)		CKSSYX105K16
C	215		CKSTYX103K16	C	616		CKSTYX104K10
C	220 (A, B)		CKSSYX105K16	C	618		CKSTYX104K10
C	221 (A, B)		CKSSYX105K16	C	619		CKSSYX105K16
C	222 (A, B)		CKSTYX473K10	C	622		CKSRAYX106M16
C	223 (A, B)		CKSSAYX474K16	C	623		CKSRAYX106M16
C	224 (A, B)		CKSSAYX474K16	C	624 (C)		CKSTYX104K10
C	302		CKSTYX103K50	C	625		CCSTCH181J50
C	303		CKSRAYX106M16	C	626		CKSSYX105K16
C	306		CKSSYB103K50	C	627		CKSSYX105K16
C	307		CKSTYX103K50	C	628		CKSSYX105K16
C	308		CKSQYX106K35	C	629		CKSSYX105K16
C	309		CKSSYB103K50	C	630		CKSSYX105K16
C	312		CKSYX476M16	C	631		CKSSYX105K16
C	352		CKSTYX103K50	C	635		CKSTYX104K10
C	353		CKSRAYX106M10	C	701		CCSSCH120J50
C	356		CKSSYB103K50	C	702		CCSSCH120J50
C	357		CKSTYX103K50	C	703		CKSQYX106K16
C	358		CKSQYX106K35	C	704		CKSSYB104K10
C	359		CKSSYB103K50	C	705		CKSSYB104K10
C	362		CKSYX476M16	C	706		CKSSYB104K10
C	401		CKSTYX104K10	C	708		CKSRYX225K10
C	402		CCSSCH100D50	C	710		CKSSYB104K10
C	403		CCSSCH120J50	C	711		CKSRYX225K10
C	404		CKSSYX105K16	C	712		CKSSYB104K10
C	405		CKSTYX104K10	C	713		CKSQYX106K16
C	406		CKSSYX105K16	C	714		CKSSYB104K10
C	407		CKSTYX104K10	C	716		CKSSYB102K50
C	408		CKSTYX104K10	C	717		CKSSYB102K50
C	409		CKSTYX104K10	C	718		CKSSYB102K50
C	410		CKSTYX104K10	C	720		CKSSYB102K50
C	411		CKSSYX105K16	C	722		CKSSBYX475M10
C	412		CKSTYX102K50	C	723		CKSSYX105K16
C	414		CKSTYX104K10	C	724		CKSSBYX475M10
C	415		CKSSYX105K16	C	725		CKSSYB102K50
C	419		CKSTYX104K10	C	726		CKSSYB104K10
C	420		CKSTYX103K16	C	728		CKSSYX105K16
C	421		CCSTCH102J25	C	730 1000 pF		CCG1375
C	422		CKSTYX104K10	C	731		CKSTYX104K10
C	423		CKSSYX105K16	C	736		CKSSYX105K16
C	424		CKSTYX104K10	C	738		CCSSCH121J50
C	425		CKSTYX104K10	C	739		CCSSCH121J50
C	426		CKSTYX104K10	C	740		CCSSCH121J50
C	429		CKSQYX226M16	C	741		CCSSCH121J50
C	430		CKSTYX104K10	C	742		CCSTCH390J50

	1		2		3		4	
	<u>Circuit Symbol and No.</u>		<u>Part No.</u>		<u>Circuit Symbol and No.</u>		<u>Part No.</u>	
	C	743	CCSTCH	680J50	C	1112	CKSR	YX105K25
	C	744	CCSTCH	181J50	C	1113	CKSR	YX105K25
A	C	745	CCSTCH	390J50	C	1201	CKST	YX104K35
	C	801	CKSS	YB104K16	C	1202	CKSS	BYX475M10
	C	802	CKSQ	YX106K16	C	1308 (A, B)	CKST	YX104K10
	C	803	CKSQ	YX106K16	C	1309 (A, B)	CCST	CH101J50
	C	806	CKST	YX104K25	C	1310 (A, B)	CCST	CH101J50
	C	807	CKSR	AYX106M10	C	1311 (A, B)	CCST	CH101J50
	C	812	CKST	YX104K25	C	1312 (A, B)	CCST	CH101J50
	C	813	CKSR	AYX106M10	C	1405 (A, B)	CKST	YX104K35
	C	818	CKSS	YB103K50	C	1407 (A, B)	CKST	YX104K35
	C	819	CKST	YX222K25	C	1409 (A, B)	CKST	YX104K35
	C	820	CKST	YX222K25	C	1705	CKST	YX102K50
B	C	821	CKST	YX222K25	C	1706	CKST	YX102K50
	C	822	CKSS	YB104K16	C	1708	CKST	YX102K50
	C	823	CKSR	AYX106M10	C	1709	CKST	YX102K50
	C	824	CKST	YX104K25	C	1710	CCST	CH101J50
	C	825	CKSR	AYX106M10	C	1711	CKST	YX472K50
	C	826	CKST	YX104K25	C	1712	CKSS	YX105K16
	C	827 (A, B)	CKST	YX222K25	C	1713	CKST	YX102K50
	C	830	CCST	CH101J50	C	1714	CKSS	YB103K50
	C	917 (A, B)	CKSS	AYX105K25	C	1715	CKSS	BYX225M10
	C	918 (A, B)	CKSS	AYX105K25	C	1716	CCST	CH271J25
	C	919 (A, B)	CKSS	AYX105K25	C	1717	CKSS	BYX225M10
C	C	920 (A, B)	CKSS	AYX105K25	C	1718	CCST	CH101J50
	C	921 (A, B)	CCST	CH330J50	C	1719	CKST	YX102K50
	C	922 (A, B)	CCST	CH330J50	C	1720	CKST	YX102K50
	C	923 (A, B)	CCST	CH330J50	C	1721	CKST	YX102K50
	C	924 (A, B)	CCST	CH330J50	C	1725	CKSS	YB102K50
	C	925 (A, B)	CKSS	YX105K16	C	1726	CKSS	YB102K50
	C	926 (A, B)	CKST	YX104K35	C	1727	CKSS	YB102K50
	C	1001	CEVW	220M16	C	1728	CKSS	YB102K50
	C	1003	CKSS	YB104K16	C	1729	CKSS	YB102K50
	C	1004	CEVW	100M16	C	1730	CKSS	YB102K50
	C	1005	CKSR	YX475K16	C	1731	CKSQ	YX106K16
D	C	1006	CKSR	YX475K16	C	1732	CKSQ	YX106K16
	C	1007	CKSR	YX475K16	C	1733	CKSQ	YX106K16
	C	1008	CKSR	YX475K16	C	1734	CKSQ	YX106K16
	C	1009	CKSR	YX475K16	C	1735	CKSQ	YX106K16
	C	1010	CKSS	BYX225M16	C	1736	CKSQ	YX106K16
	C	1011	CKSS	BYX225M16	C	1738	CKSR	YX225K16
	C	1012	CKSS	BYX225M16	C	1739	CKST	YX221K50
	C	1013	CKSR	YX475K16	C	1740	CKST	YX102K50
	C	1014	CKSS	BYX225M16	C	1751	CKST	YX102K50
	C	1015	CKSS	BYX225M16	C	1752	CKST	YX102K50
E	C	1016 (A, B)	CKSS	BYX225M16	C	1753	CKST	YX102K50
	C	1018 (A, B)	CKSS	BYX225M16	C	8401	CKST	YX104K10
	C	1019	CCST	CH101J50	C	8402	CKST	YX104K10
	C	1020	CCST	CH101J50	C	8403	CKSR	AYX106M10
	C	1022 (A, B)	CKST	YX104K35	C	8404	CKSR	AYX106M10
	C	1101	CKSR	YX105K25	C	8405	CKST	YX104K10
	C	1102	CKSR	YX105K25	C	8407	CKST	YX224K6R3
	C	1103	CKSR	YX105K25	C	8408	CKST	YX102K50
	C	1104	CKSR	YX105K25	C	8409	CKST	YX104K10
	C	1105	CKSR	YX105K25	C	8411	CCST	CH5R0C50
	C	1106	CKSR	YX105K25	C	8412	CCST	CH120J50
F	C	1107	CKSR	YX105K25	C	8415	CKST	YX104K10
	C	1108	CKSR	YX105K25	C	8417	1000 pF	CCG1345
	C	1109	CKSR	YX105K25	C	8418	CKST	YX102K50
	C	1110	CKSR	YX105K25	C	8419	CKST	YX471K50



	1		2		3		4	
	<u>Circuit Symbol and No.</u>		<u>Part No.</u>		<u>Circuit Symbol and No.</u>		<u>Part No.</u>	
	L	3701 SMD SPL Inductor	LCYA1R0J2016	R	3110	RS1/16SS222J		
	L	3702 Chip Ferrite Beads	OTL8019	R	3111	RS1/16SS222J		
	L	3703 Inductor	CTF1547	R	3112	RS1/16SS0R0J		
A	L	3704 Inductor	CTF1547					
	L	3801 SMD SPL Inductor	CTH1704	R	3116	RS1/10SR0R0J		
	L	3802 Chip Beads	VTL1126	R	3117	RS1/10SR0R0J		
	L	3803 Chip Beads	VTL1126	R	3118	RS1/16SS0R0J		
	L	4005 Ferrite Bead	CTF1528	R	3120	RS1/16SS222J		
	L	4006 Ferrite Bead	CTF1528	R	3121	RS1/16SS103J		
	L	4007 Ferrite Bead	CTF1528	R	3122	RS1/16SS0R0J		
	L	4008 Ferrite Bead	CTF1528	R	3123	RS1/16SS333J		
	L	6706 SMD Ferrite Beads	CTF1889	R	3124	RS1/16SS103J		
	L	6707 SMD SPL Inductor	CTH1673	R	3125	RS1/16SS824J		
	L	6708 Inductor	CTH1633	R	3126	RS1/16SS563J		
B	L	6709 Inductor	CTH1632	R	3127	RS1/16SS0R0J		
	L	6710 SMD SPL Inductor	CTH1530	R	3128	RS1/16SS472J		
	L	6711 SMD SPL Inductor	CTH1532	R	3129	RS1/16SS102J		
	L	6831 SMD Ferrite Beads	CTF1895	R	3130	RS1/16SS102J		
	L	6832 SMD Ferrite Beads	CTF1895	R	3131	RS1/16SS0R0J		
	L	6833 SMD Ferrite Beads	CTF1895	R	3132	RS1/16SS102J		
	L	7751 Ferrite Bead	CTF1528	R	3133	RS1/16SS222J		
X	3301	Resonator 32.768 kHz	CSS1807	R	3134	RS1/16SS332J		
X	3401	Resonator 32.000 MHz	CSS1816	R	3136	RS1/16SS0R0J		
X	4001	Crystal Resonator 27.000 MHz	CSS1889	R	3137	RS1/16SS0R0J		
C	X	6962 Resonator 24 MHz	CSS1773	R	3139	RS1/16SS0R0J		
	X	7751 Crystal Oscillator 24.576 MHz	CWX4945	R	3140	RS1/16SS0R0J		
	TH	7681 SMD Thermistor	ERTJ0ER104F	R	3146	RS1/16SS222J		
	CN	3001 Connector	CKS4674	R	3150	RS1/10SR0R0J		
	CN	3201 FFC/FPC Connector	CKS6644	R	3151	RS1/10SR0R0J		
	CN	3202 FFC/FPC Connector	CKS6646	R	3152	RS1/16SS0R0J		
	CN	3203 Connector	CKS5567	R	3155	RS1/16SS103J		
	CN	3301 B TO W Connector	CKS6508	R	3157	RS1/16SS0R0J		
	CN	3302 B TO W Connector	CKS6508	R	3158	RS1/16SS220J		
	CN	3701 B TO B Connector	CKS6599	R	3159	RS1/16SS220J		
	CN	4101 Connector (A, B)	CKS6833	R	3160	RS1/16SS151J		
D	JA	3101 Jack	CKN1101	R	3161	RS1/16SS560J		
	JA	3701 Connector	CKS5702	R	3162	RS1/10SR0R0J		
	JA	3801 USB Jack	DKN1674	R	3163	RS1/16SS220J		
	JA	4001 Connector	CKS6677	R	3164	RS1/16SS221J		
	U	3301 BT Module	CWX4995	R	3165	RS1/16SS221J		
				R	3166	RS1/16SS221J		
				R	3167	VTL1127		
				R	3168	RS1/16SS0R0J		
				R	3169	RS1/16SS0R0J		
	R	3001	RS1/16SS102J	R	3170	RS1/16SS0R0J		
	R	3002	RS1/10SR102J	R	3171	RS1/16SS0R0J		
	R	3003	RS1/10SR102J	R	3201	RS1/16SS0R0J		
E	R	3004	RS1/10SR0R0J	R	3202	RS1/16SS0R0J		
	R	3012	RS1/8SQ0R0J	R	3204	RS1/16SS0R0J		
	R	3013	RS1/8SQ0R0J					
	R	3014	RS1/10SR0R0J	R	3205	RS1/16SS0R0J		
	R	3016	RS1/16SS0R0J	R	3206	RS1/16SS0R0J		
	R	3017	RS1/10SR0R0J	R	3207	RS1/16SS0R0J		
	R	3018	RS1/10SR0R0J	R	3208	RS1/16SS0R0J		
	R	3019	RS1/16SS0R0J	R	3209	RS1/16SS0R0J		
	R	3020	RS1/10SR332J	R	3210	RS1/16SS0R0J		
	R	3021	RS1/10SR332J	R	3211	RS1/16SS0R0J		
	R	3022	RS1/16SS474J	R	3212	RS1/16SS0R0J		
F	R	3103	RS1/16SS0R0J	R	3213	RS1/16SS0R0J		
	R	3105	RS1/16SS0R0J	R	3214	RS1/16SS0R0J		
	R	3106	RS1/16SS0R0J	R	3215	RS1/16SS0R0J		
				R	3216	RS1/16SS0R0J		

**RESISTORS**

5		6	7		8
<u>Circuit Symbol and No.</u>		<u>Part No.</u>	<u>Circuit Symbol and No.</u>		<u>Part No.</u>
R	3218	RS1/16SS0R0J	R	3429	RS1/16SS101J
R	3219 (B, C)	RS1/16SS0R0J	R	3430	RS1/16SS101J
R	3220	RS1/16SS0R0J	R	3431	RS1/16SS101J
R	3222	RS1/16SS0R0J	R	3432	RS1/16SS101J
R	3223	RS1/16SS0R0J	R	3433	RS1/16SS101J
R	3225	RS1/16SS0R0J	R	3434	RS1/16SS101J
R	3301	RS1/16SS106J	R	3435	RS1/10SR0R0J
R	3302	RS1/16SS105J	R	3436	RS1/10SR0R0J
R	3303	RS1/16SS0R0J	R	3437	RS1/16SS221J
R	3311	RS1/16SS0R0J	R	3438	RS1/16SS75R0D
R	3312	RS1/16SS331J	R	3439 (A, B)	RS1/16SS0R0J
R	3313	RS1/16SS331J	R	3440 (A, B)	RS1/16SS0R0J
R	3314	RS1/16SS222J	R	3441 (A, B)	RS1/16SS0R0J
R	3315	RS1/16SS222J	R	3442 (A, B)	RS1/16SS0R0J
R	3316	RS1/16SS103J	R	3443	RS1/10SR0R0J
R	3317	RS1/16SS103J	R	3444	RS1/10SR0R0J
R	3318	RS1/16SS103J	R	3445	RS1/10SR0R0J
R	3319	RS1/16SS103J	R	3446	RS1/16SS470J
R	3320	RS1/16SS103J	R	3447	RS1/16SS0R0J
R	3322	RS1/16SS222J	R	3448	RS1/16SS0R0J
R	3323	RS1/16SS222J	R	3449	RS1/16SS0R0J
R	3324	RS1/16SS222J	R	3450	RS1/16SS0R0J
R	3325	RS1/16SS222J	R	3451	RS1/16SS0R0J
R	3326	RS1/16SS470J	R	3452	RS1/16SS0R0J
R	3327	RS1/16SS271J	R	3453	RS1/16SS0R0J
R	3328	RAB4CQ103J	R	3454	RS1/16SS0R0J
R	3329	RS1/16SS103J	R	3455	RS1/10SR0R0J
R	3330	RS1/16SS0R0J	R	3501	RS1/16SS103J
R	3332	RS1/16SS8R2J	R	3502	RS1/16SS103J
R	3333	RS1/16SS8R2J	R	3503	RS1/16SS0R0J
R	3334	RS1/16SS8R2J	R	3508	RS1/16SS470J
R	3335	RS1/16SS8R2J	R	3509	RS1/16SS103J
R	3336	RS1/16SS220J	R	3510	RS1/16SS222J
R	3337	RS1/16SS8R2J	R	3514	RS1/16SS6801F
R	3401 (C)	RS1/16SS75R0D	R	3517	RS1/10SR0R0J
R	3402 (C)	RS1/16SS151J	R	3522	RS1/10SR0R0J
R	3403 (C)	RS1/16SS101J	R	3523	RS1/10SR0R0J
R	3404 (C)	RS1/16SS75R0D	R	3524	RS1/10SR0R0J
R	3405 (C)	RS1/16SS101J	R	3606	RS1/16SS103J
R	3406 (C)	RS1/16SS75R0D	R	3608	RS1/16SS103J
R	3407 (C)	RS1/16SS75R0D	R	3701	RS1/16SS101J
R	3408 (C)	RS1/16SS101J	R	3703	RS1/16SS10R0D
R	3409	RS1/16SS101J	R	3704	RS1/16SS1501D
R	3410	RS1/16SS243J	R	3705	RS1/16SS2402D
R	3411	RS1/16SS333J	R	3706	RS1/16SS3302D
R	3413 (C)	RS1/16SS101J	R	3708	RS1/16SS2202D
R	3414 (C)	RS1/16SS151J	R	3709	RS1/16SS2202D
R	3415 (C)	RS1/16SS151J	R	3710	RS1/16SS432J
R	3416 (C)	RS1/16SS151J	R	3711	RS1/16SS1801D
R	3417	RS1/16SS151J	R	3712	RS1/16SS3002D
R	3418	RS1/16SS472J	R	3713	RS1/16SS3302D
R	3419	RS1/16SS473J	R	3714	RS1/16SS103J
R	3420	RS1/16SS821J	R	3715	RS1/16SS102J
R	3421	RS1/16SS105J	R	3716	RS1/16SS102J
R	3422	RS1/16SS560J	R	3717	RS1/16SS332J
R	3424	RS1/16SS101J	R	3718	RS1/16SS332J
R	3425	RS1/16SS151J	R	3721	RS1/16SS472J
R	3426	RS1/16SS222J	R	3725	RS1/16SS103J
R	3427	RS1/16SS101J	R	3729	RS1/10SR0R0J
R	3428	RS1/16SS101J	R	3731	RS1/10SR0R0J

	1		2		3		4	
	<u>Circuit Symbol and No.</u>		<u>Part No.</u>		<u>Circuit Symbol and No.</u>		<u>Part No.</u>	
	R	3732		RS1/16SS0R0J	R	4060		RS1/16SS103J
	R	3734		RS1/16SS4702D	R	4061		RS1/16SS103J
	R	3735		RS1/16SS4702D	R	4062		RS1/16SS0R0J
A	R	3736		RS1/16SS4702D	R	4063		RS1/10SR0R0J
	R	3801	0.03 ohm	CCN1322	R	4064		RS1/10SR0R0J
	R	3802	0.03 ohm	CCN1322	R	4065		RS1/16SS103J
	R	3803		RS1/16SS104J	R	4066		RS1/16SS0R0J
	R	3804		RS1/16SS473J	R	4067		RS1/16SS470J
	R	3805		RS1/16SS912J	R	4068		RS1/16SS470J
	R	3806		RS1/16SS0R0J	R	4069		RS1/16SS470J
	R	3807		RS1/10SR331J	R	4070		RS1/16SS470J
	R	3809		RS1/16SS104J	R	4071		RS1/16SS470J
	R	3810		RS1/16SS104J	R	4072		RS1/16SS470J
B	R	3811		RS1/16SS101J	R	4073		RS1/16SS470J
	R	3812		RS1/16SS104J	R	4074		RS1/16SS470J
	R	3813		RS1/16SS104J	R	4075		RS1/16SS470J
	R	3817		RS1/16SS0R0J	R	4076		RS1/16SS470J
	R	3820		RS1/8SQ331J	R	4077		RS1/16SS470J
	R	4001		RS1/16SS105J	R	4078		RS1/16SS470J
	R	4006		RS1/16SS103J	R	4079		RS1/16SS470J
	R	4007		RS1/16SS103J	R	4080		RS1/16SS470J
	R	4010		RS1/16SS101J	R	4081		RS1/16SS470J
	R	4011		RS1/16SS101J	R	4082		RS1/16SS470J
	R	4012		RS1/16SS222J	R	4083		RS1/16SS470J
C	R	4013		RS1/16SS151J	R	4084		RS1/16SS470J
	R	4014		RS1/16SS560J	R	4085		RS1/16SS470J
	R	4016		RS1/16SS101J	R	4086		RS1/16SS0R0J
	R	4017		RS1/16SS105J	R	4101	(A, B)	RS1/16SS101J
	R	4019		RS1/16SS0R0J	R	4102	(A, B)	RS1/16SS103J
	R	4020		RS1/16SS0R0J	R	4103	(A, B)	RS1/16SS0R0J
	R	4021		RS1/16SS0R0J	R	4104	(A, B)	RS1/16SS0R0J
	R	4022		RS1/16SS0R0J	R	4105	(A, B)	RS1/16SS104J
	R	4023		RS1/16SS680J	R	4108	(A, B)	RS1/16SS102J
	R	4024		RS1/16SS222J	R	4109	(A, B)	RS1/16SS102J
	R	4025		RS1/16SS470J	R	4112	(A, B)	RS1/16SS0R0J
D	R	4026		RS1/16SS222J	R	4113	(A, B)	RS1/16SS0R0J
	R	4029		RS1/16SS0R0J	R	4114	(A, B)	RS1/16SS0R0J
	R	4030		RS1/16SS103J	R	4202		RS1/10SR0R0J
	R	4031		RS1/16SS0R0J	R	4203		RS1/10SR0R0J
	R	4032		RS1/16SS0R0J	R	4204		RS1/16SS0R0J
	R	4033		RS1/16SS0R0J	R	4205		RS1/16SS0R0J
	R	4034		RS1/16SS0R0J	R	4206		RS1/16SS0R0J
	R	4035		RS1/16SS304J	R	4207		RS1/16SS0R0J
	R	4038		RS1/16SS302J	R	4208		RS1/16SS0R0J
	R	4039		RS1/16SS152J	R	4209		RS1/16SS472J
	R	4040		RS1/16SS330J	R	4210		RS1/16SS472J
E	R	4041		RS1/16SS105J	R	4211		RS1/16SS472J
	R	4042		RS1/16SS0R0J	R	4212		RS1/16SS472J
	R	4045		RS1/16SS330J	R	4213		RS1/16SS472J
	R	4046		RS1/16SS330J	R	4214		RS1/16SS472J
	R	4048		RS1/16SS182J	R	4215		RS1/16SS472J
	R	4049		RS1/16SS223J	R	4216		RS1/16SS472J
	R	4050		RS1/16SS471J	R	4217		RS1/16SS472J
	R	4051		RS1/10SR221J	R	4218		RS1/16SS472J
	R	4052		RS1/10SR221J	R	4219		RS1/16SS472J
	R	4053		RS1/10SR221J	R	4220		RS1/16SS472J
F	R	4055		RS1/10SR221J	R	4221		RS1/16SS472J
	R	4057		RS1/16SS102J	R	4222		RS1/16SS104J
	R	4058		RS1/16SS103J	R	4223		RS1/16SS472J
	R	4059		RS1/16SS103J	R	4224		RS1/16SS472J

5		6		7		8	
<u>Circuit Symbol and No.</u>		<u>Part No.</u>		<u>Circuit Symbol and No.</u>		<u>Part No.</u>	
R	4225	RS1/16SS472J		R	7063	RS1/16SS0R0J	
R	4226	RS1/16SS472J		R	7064	RS1/16SS473J	
R	4227	RS1/16SS472J		R	7067	RS1/16SS220J	
R	4228	RS1/16SS472J		R	7068	RS1/16SS220J	A
R	4229	RS1/16SS472J		R	7069	RS1/16SS220J	
R	4230	RS1/16SS472J		R	7070	RS1/16SS220J	
R	4234	RS1/16SS104J		R	7071	RS1/16SS220J	
R	6722	RS1/16SS221J		R	7072	RS1/16SS220J	
R	6724	RS1/16SS103J		R	7074	RS1/16SS0R0J	
R	6735	RS1/16SS103J		R	7077	RS1/16SS0R0J	
R	6737	RS1/16SS103J		R	7078	RS1/16SS0R0J	
R	6741	RS1/10SR4702D		R	7079	RS1/16SS470J	
R	6742	RS1/4SA101J		R	7080 (A, B)	RS1/16SS470J	
R	6744	RS1/10SR3901D		R	7081	RS1/16SS0R0J	B
R	6745	RS1/10SR1202D		R	7082	RS1/16SS560J	
R	6746	RS1/10SR683J		R	7083	RS1/16SS560J	
R	6752	RS1/10SR102J		R	7084	RS1/16SS560J	
R	6753 0.015 ohm	CCN1467		R	7085	RS1/16SS560J	
R	6754 0.015 ohm	CCN1467		R	7086	RS1/16SS560J	
R	6770	RS1/16SS103J		R	7087	RS1/16SS560J	
R	6787	RS1/16SS332J		R	7088	RS1/16SS560J	
R	6788	RS1/16SS221J		R	7089	RS1/16SS560J	
R	6789	RS1/16SS103J		R	7090	RS1/16SS560J	
R	6791	RS1/10SR101J		R	7092	RS1/16SS470J	
R	6792	RS1/4SA101J		R	7094	RS1/16SS0R0J	C
R	6796	RS1/16SS0R0J		R	7095	RS1/16SS331J	
R	6797	RS1/10SR101J		R	7096	RS1/16SS331J	
R	6798	RS1/10SR221J		R	7098	RS1/16SS680J	
R	6801	RS1/10SR101J		R	7099	RS1/16SS680J	
R	6803	RS1/10SR0R0J		R	7107	RS1/16SS103J	
R	6809	RS1/16SS101J		R	7108	RS1/16SS103J	
R	6810	RS1/10SR101J		R	7109	RS1/16SS102J	
R	6811	RS1/16SS220J		R	7110	RS1/16SS102J	
R	6813	RS1/16SS103J		R	7113	RS1/16SS103J	
R	6814	RS1/16SS103J		R	7115	RS1/16SS220J	
R	6819	RS1/10SR103J		R	7116	RS1/16SS222J	D
R	6825	RS1/16SS101J		R	7117	RS1/16SS222J	
R	6830	RS1/10SR101J		R	7118	RS1/16SS222J	
R	6831	RS1/10SR0R0J		R	7119	RS1/16SS222J	
R	6832	RS1/10SR0R0J		R	7121	RS1/16SS473J	
R	6833	RS1/16SS472J		R	7122	RS1/16SS220J	
R	6834	RS1/16SS472J		R	7123	RS1/16SS103J	
R	6835	RS1/16SS103J		R	7124	RS1/16SS103J	
R	6838	RS1/16SS0R0J		R	7125	RS1/16SS0R0J	
R	6961	RS1/16SS472J		R	7126	RS1/16SS103J	
R	6962	RS1/16SS472J		R	7127	RS1/16SS222J	
R	6963	RS1/16SS472J		R	7128	RS1/16SS222J	E
R	6968	RS1/16SS222J		R	7129	RS1/16SS103J	
R	6972	RS1/16SS0R0J		R	7133	RS1/16SS220J	
R	6975	RS1/16SS105J		R	7134	RS1/16SS0R0J	
R	6979	RS1/16SS103J		R	7135	RS1/16SS0R0J	
R	6987	RS1/16SS104J		R	7136	RS1/16SS0R0J	
R	6989	RS1/16SS104J		R	7141	RS1/16SS330J	
R	6990	RS1/16SS222J		R	7144	RS1/16SS330J	
R	6991	RS1/16SS222J		R	7149	RS1/16SS220J	
R	6992	RS1/16SS222J		R	7150	RS1/16SS220J	
R	6994	RS1/16SS222J		R	7151	RS1/16SS220J	F
R	6998	RS1/16SS104J		R	7152	RS1/16SS220J	
R	7061	RS1/16SS0R0J		R	7153	RS1/16SS220J	
R	7062	RS1/16SS562J		R	7154	RS1/16SS220J	

	1	2	3	4
	<u>Circuit Symbol and No.</u>	<u>Part No.</u>	<u>Circuit Symbol and No.</u>	<u>Part No.</u>
	R 7155	RS1/16SS220J	R 7426	RS1/16SS220J
	R 7156	RS1/16SS220J	R 7461	RS1/16SS2400F
	R 7157	RS1/16SS220J	R 7462	RS1/16SS103J
A	R 7158	RS1/16SS220J	R 7463	RAB4CQ330J
	R 7159	RS1/16SS220J	R 7464	RAB4CQ330J
	R 7160	RS1/16SS220J	R 7465	RAB4CQ330J
	R 7161	RS1/16SS220J	R 7466	RAB4CQ330J
	R 7162	RS1/16SS220J	R 7467	RAB4CQ330J
	R 7163	RS1/16SS220J	R 7468	RAB4CQ330J
	R 7164	RS1/16SS220J	R 7469	RS1/16SS390J
	R 7165	RS1/16SS220J	R 7472	RS1/16SS2002F
	R 7166	RS1/16SS220J	R 7473	RS1/16SS2002F
	R 7167	RS1/16SS220J	R 7474	RS1/16SS2002F
B	R 7168	RS1/16SS220J	R 7475	RS1/16SS2002F
	R 7169	RS1/16SS220J	R 7476	RS1/16SS390J
	R 7170	RS1/16SS220J	R 7477	RS1/16SS330J
	R 7172	RS1/16SS222J	R 7491	RS1/16SS1003F
	R 7173	RS1/16SS220J	R 7492	RS1/16SS390J
	R 7174	RS1/16SS0R0J	R 7493	RS1/16SS220J
	R 7176	RS1/16SS271J	R 7494	RS1/16SS220J
	R 7177	RS1/16SS271J	R 7495	RS1/16SS220J
	R 7185	RS1/16SS220J	R 7496	RS1/16SS220J
	R 7187	RS1/16SS0R0J	R 7497	RS1/16SS220J
	R 7188	RS1/16SS220J	R 7498	RS1/16SS2000F
C	R 7191	RS1/16SS0R0J	R 7499	RS1/16SS2000F
	R 7192	RS1/16SS0R0J	R 7500	RS1/16SS4301D
	R 7193	RS1/16SS0R0J	R 7501	RS1/16SS222J
	R 7194	RS1/16SS330J	R 7503	RS1/16SS222J
	R 7195	RS1/16SS680J	R 7504	RS1/16SS222J
	R 7196	RS1/16SS102J	R 7505	RS1/16SS222J
	R 7197	RS1/16SS102J	R 7506	RS1/16SS222J
	R 7198	RS1/16SS101J	R 7507	RS1/16SS222J
	R 7199	RS1/16SS330J	R 7508	RS1/16SS222J
	R 7200	RS1/16SS0R0J	R 7510	RS1/16SS4701F
	R 7201	RS1/16SS0R0J	R 7511	RS1/16SS0R0J
D	R 7202	RS1/16SS0R0J	R 7512	RS1/16SS103J
	R 7203	RS1/16SS0R0J	R 7513	RS1/16SS103J
	R 7204	RS1/16SS0R0J	R 7514	RS1/16SS101J
	R 7205	RS1/16SS0R0J	R 7516	RS1/16SS103J
	R 7206	RS1/16SS0R0J	R 7520	RS1/16SS222J
	R 7207	RS1/16SS0R0J	R 7549	RS1/16SS201J
	R 7208	RS1/16SS0R0J	R 7550	RS1/16SS752J
	R 7401 (A)	RS1/16SS103J	R 7591	RS1/16SS102J
	R 7402 (B, C)	RS1/16SS222J	R 7592	RS1/16SS2002F
	R 7403	RS1/16SS103J	R 7593	RS1/16SS2002F
	R 7404 (A)	RS1/16SS103J	R 7594	RS1/16SS102J
E	R 7406 (B, C)	RS1/16SS222J	R 7595	RS1/16SS2002F
	R 7407	RS1/16SS0R0J	R 7596	RS1/16SS2002F
	R 7408 (A, B)	RS1/16SS101J	R 7597	RS1/16SS2400F
	R 7409 (A, B)	RS1/16SS0R0J	R 7598	RS1/16SS2400F
	R 7410	RS1/16SS222J	R 7599	RS1/16SS2002F
	R 7411	RS1/16SS222J	R 7600	RS1/16SS2002F
	R 7412	RS1/16SS222J	R 7601	RS1/16SS2002F
	R 7414 (A, B)	RS1/16SS221J	R 7602	RS1/16SS2002F
	R 7415 (A, B)	RS1/16SS221J	R 7603	RS1/16SS102J
	R 7416	RS1/16SS222J	R 7604	RS1/16SS2002F
F	R 7417	RS1/16SS222J	R 7605	RS1/16SS2002F
	R 7418	RS1/16SS222J	R 7606	RS1/16SS102J
	R 7424	RS1/16SS111J	R 7607	RS1/16SS2002F
	R 7425	RS1/16SS330J	R 7608	RS1/16SS2002F

5		6		7		8	
<u>Circuit Symbol and No.</u>		<u>Part No.</u>		<u>Circuit Symbol and No.</u>		<u>Part No.</u>	
R	7609		RS1/16SS2400F				
R	7610		RS1/16SS2400F	C	3101		CKSTYX102K50
R	7611		RS1/16SS2002F	C	3102		CKSTYX102K50
				C	3103		CCSTCH101J50
R	7612		RS1/16SS2002F	C	3104		CKSSYX105K16
R	7613		RS1/16SS2002F	C	3106		CKSSAYX474K16
R	7614		RS1/16SS2002F				
R	7615		RS1/16SS2000D	C	3107		CKSRAYX106M10
R	7616		RS1/16SS2000D	C	3108		CKSRAYX106M10
				C	3109		CKSTYX104K10
R	7617		RS1/16SS2000D	C	3110		CKSTYX104K10
R	7618		RS1/16SS2000D	C	3111		CKSSBYX225M16
R	7681		RS1/16SS6802D				
R	7693		RS1/16SS680J	C	3113		CCSTCH101J50
R	7694		RS1/16SS560J	C	3114		CKSSYX224K16
				C	3115		CKSSYX105K16
R	7695		RS1/16SS560J	C	3116		CCSTCH6R0D50
R	7696		RS1/16SS560J	C	3117		CCSTCH220J50
R	7697		RS1/16SS560J				
R	7698		RS1/16SS560J	C	3118		CKSTYX104K10
R	7699		RS1/16SS560J	C	3119		CKSQYX226M16
				C	3120		CCSTCH6R0D50
R	7700		RS1/16SS560J	C	3121		CKSTYX102K50
R	7701		RS1/16SS560J	C	3123		CKSRYX106M6R3
R	7702		RS1/16SS560J				
R	7703		RS1/16SS100J	C	3124		CKSTYX104K10
R	7704		RS1/16SS100J	C	3125		CKSSYX105K16
				C	3126		CKSTYX104K10
R	7705		RS1/16SS100J	C	3128		CCSTCH101J50
R	7706		RS1/16SS100J	C	3129		CKSSYX105K16
R	7707		RS1/16SS100J				
R	7708		RS1/16SS100J	C	3131		CKSSAYX474K16
R	7709		RS1/16SS100J	C	3132		CKSRAYX106M10
				C	3133		CKSRAYX106M10
R	7710		RS1/16SS100J	C	3134		CKSTYX104K10
R	7711		RS1/16SS100J	C	3135		CKSTYX104K10
R	7712		RS1/16SS473J				
R	7713		RS1/16SS473J	C	3136		CKSSBYX225M16
R	7714		RS1/16SS473J	C	3137		CKSSBYX225M16
				C	3138		CKSTYX104K10
R	7715		RS1/16SS473J	C	3140		CCSTCH470J50
R	7716		RS1/16SS473J	C	3141		CCSTCH470J50
R	7717		RS1/16SS473J				
R	7718		RS1/16SS473J	C	3142		CCSTCH470J50
R	7719		RS1/16SS473J	C	3143		CKSTYX331K50
				C	3201		CKSTYX104K10
R	7720		RS1/16SS103J	C	3203		CKSRAYX106M10
R	7751		RS1/16SS103J	C	3204		CEVW101M16
R	7752		RS1/16SS0R0J				
R	7753		RS1/16SS0R0J	C	3303		CCSTCH100D50
R	7758		RS1/16SS152J	C	3305		CCSTCH120J50
				C	3306		CCSTCH150J50
				C	3307		CKSTYX104K10
				C	3312		CKSTYX104K10
<b><u>CAPACITORS</u></b>							
C	3001		CKSSYX105K16				
C	3002		CKSSYX105K16	C	3313		CKSTYX103K16
C	3003		CKSSYX105K16	C	3314		CKSRYX475K16
C	3004		CKSSBYX225M16	C	3315		CKSTYX103K16
C	3005		CKSTYX103K16	C	3318		CKSTYX104K10
				C	3319		CKSTYX103K16
C	3008		CKSTYX103K16				
C	3009		CKSSYX105K16	C	3321		CCSTCH100D50
C	3010		CKSSYX105K16	C	3402 (C)		CKSTYX104K10
C	3011		CKSSAYX474K16	C	3403 (C)		CKSTYX104K10
C	3012		CKSRYX474K50	C	3404 (C)		CKSTYX104K10
				C	3405 (C)		CKSTYX104K10
C	3013		CKSTYX104K10				
C	3014		CKSTYX102K50	C	3406 (C)		CKSSYX105K16
C	3015		CKSTYX102K50	C	3408 (C)		CKSTYX104K10
C	3016		CKSYX476M16	C	3409 (C)		CKSSYX105K16
C	3017		CKSYX476M16	C	3410 (C)		CKSSYX105K16
				C	3412 (C)		CKSSYX105K16

	1	2	3	4
	<u>Circuit Symbol and No.</u>	<u>Part No.</u>	<u>Circuit Symbol and No.</u>	<u>Part No.</u>
	C 3413 (C)	CKSSYX105K16	C 3714	CKSTYX104K10
	C 3414 (C)	CKSTYX104K10	C 3715	CKSTYX104K10
A	C 3415 (C)	CKSSYX105K16	C 3716	CKSTYX102K50
	C 3416 (C)	CKSSYX105K16	C 3717	CKSTYX104K10
	C 3418 (C)	CKSSYX105K16	C 3801	CEVW100M16
	C 3419 (C)	CKSSYX105K16	C 3802	CKSQYX226M16
	C 3420	CKSTYX104K10	C 3803	CKSTYX104K35
	C 3421	CKSTYX104K10	C 3804	CKSTYX104K35
	C 3422	CKSSYX105K16	C 3805	CKSTYX104K35
	C 3423	CKSSYX105K16	C 3806	CKSQYX106K35
	C 3424	CKSSYX105K16	C 3807	CEVW470M25
	C 3425	CKSRAYX106M10	C 3808	CKSTYX104K35
	C 3426 (C)	CKSSYX105K16	C 3809	CKSTYX104K35
B	C 3427 (C)	CKSSYX105K16	C 3810	CKSRYX475K16
	C 3428 (C)	CKSSYX105K16	C 3811	CKSTYX104K35
	C 3430	CKSTYX104K10	C 3812	CKSQYX226M16
	C 3431	CKSTYX102K50	C 3813	CKSQYX226M16
	C 3432	CKSTYX102K50	C 3814	CKSQYX226M16
	C 3433	CKSTYX103K16	C 3815	CKSQYX226M16
	C 3434	CKSSYX474K6R3	C 3816	CKSQYX226M16
	C 3435	CKSSYX474K6R3	C 3822	CKSTYX101K50
	C 3436	CKSSYX474K6R3	C 3823	CKSTYX104K35
	C 3437	CKSTYX104K10	C 3824	CKSTYX104K35
	C 3438	CKSTYX104K10	C 3825	CKSTYX471K25
C	C 3439	CKSTYX102K50	C 3826	CKSTYX471K25
	C 3440	CKSTYX104K10	C 3827	CEVW221M10
	C 3441	CKSSYX105K16	C 4005	CKSRAYX106M10
	C 3442	CKSTYX104K10	C 4006	CKSRAYX106M10
	C 3443	CKSTYX104K10	C 4007	CKSRAYX106M10
	C 3444	CKSTYX104K10	C 4008	CKSRAYX106M10
	C 3445	CKSTYX104K10	C 4009	CKSTYX104K10
	C 3446	CKSTYX104K10	C 4010	CKSTYX104K10
	C 3447	CKSTYX104K10	C 4011	CKSTYX104K10
	C 3448	CCSTCH8R0D50	C 4012	CCSTCH7R0D50
D	C 3449	CCSTCH150J50	C 4013	CCSTCH8R0D50
	C 3451	CKSTYX103K16	C 4016	CKSTYX104K10
	C 3452	CKSTYX104K10	C 4018	CCSTCH470J50
	C 3453	CKSTYX104K10	C 4019	CKSTYX104K10
	C 3458	CKSTYX104K10	C 4020	CKSTYX104K10
	C 3501	CKSTYX104K10	C 4021	CKSTYX104K10
	C 3502	CKSTYX104K10	C 4022	CKSTYX104K10
	C 3503	CKSTYX104K10	C 4023	CKSTYX104K10
	C 3504	CKSTYX103K16	C 4024	CKSTYX104K10
	C 3505	CKSTYX103K16	C 4025	CKSTYX104K10
	C 3506	CKSRAYX106M10	C 4026	CKSTYX104K10
E	C 3507	CKSTYX103K16	C 4027	CKSTYX104K10
	C 3508	CKSTYX103K16	C 4028	CKSTYX104K10
	C 3509	CKSRAYX106M10	C 4029	CKSTYX104K10
	C 3510	CKSRAYX106M10	C 4030	CKSTYX104K10
	C 3511	CCSTCH101J50	C 4031	CKSTYX104K10
	C 3701	CCSTCH101J50	C 4032	CKSTYX104K10
	C 3702	CCSTCH101J50	C 4033	CKSTYX104K10
	C 3703	CKSTYX102K50	C 4034	CKSTYX104K10
	C 3704	CKSTYX103K16	C 4035	CKSTYX104K10
	C 3705	CKSTYX104K10	C 4036	CKSTYX104K10
F	C 3706	CKSTYX104K10	C 4037	CKSTYX102K50
	C 3707	CKSTYX103K16	C 4039	CKSTYX104K10
	C 3708	CCSTCH101J50	C 4040	CKSRAYX106M10
	C 3709	CKSTYX104K10	C 4041	CKSSBYX225M16
	C 3711	CKSTYX104K10	C 4042	CKSSBYX225M16

5		6		7		8	
<u>Circuit Symbol and No.</u>		<u>Part No.</u>		<u>Circuit Symbol and No.</u>		<u>Part No.</u>	
C	4043		CKSSBYX225M16	C	6804		CCSTCH102J25
C	4044		CKSTYX104K10	C	6813	1 uF	CCG1404
C	4048		CCSTCH100D50	C	6821		CKSRYX474K50
C	4050		CKSTYX104K10	C	6831		CKSQYX476M6R3
C	4052		CKSSYX105K16	C	6832		CKSQYX476M6R3
C	4053		CKSSYX105K16	C	6833		CKSSBYX225M16
C	4101	(A, B)	CKSTYX104K10	C	6834		CKSSBYX225M16
C	4103	(A, B)	CKSTYX104K10	C	6835		CKSSBYX225M16
C	4104	(A, B)	CKSTYX104K10	C	6836		CKSSBYX225M16
C	4201		CKSSYX105K16	C	6837		CKSSBYX225M16
C	4203		CKSSYX105K16	C	6838		CKSSYX105K16
C	4205		CKSTYX104K25	C	6839		CKSSYX105K16
C	4206		CKSTYX104K25	C	6840		CKSSYX105K16
C	4207		CKSTYX104K25	C	6841		CKSSBYX225M16
C	4208		CKSTYX104K25	C	6842		CKSSBYX225M16
C	4209		CKSTYX104K25	C	6843		CKSTYX104K10
C	4210		CKSTYX104K25	C	6844		CKSTYX104K10
C	4211		CKSTYX104K25	C	6845		CKSTYX104K10
C	4212		CKSTYX104K25	C	6846		CKSTYX104K10
C	4213		CKSSYX105K16	C	6847		CKSTYX104K10
C	4214		CKSSYX105K16	C	6848		CKSTYX104K10
C	6706		CKSTYX104K10	C	6849		CKSTYX104K10
C	6726		CKSSYX105K16	C	6850		CKSTYX104K10
C	6730		CKSRYX106M6R3	C	6851		CKSTYX104K10
C	6739		CKSTYX332K25	C	6852		CKSTYX104K10
C	6740		CKSTYX103K16	C	6853		CKSTYX104K10
C	6741		CKSRYX474K50	C	6854		CKSTYX104K10
C	6742		CKSRAYX106M10	C	6855		CKSTYX104K10
C	6743		CCSTCH330J50	C	6856		CKSTYX104K10
C	6744		CKSRAYX106M10	C	6857		CKSTYX104K10
C	6745	10 uF	CCG1236	C	6858		CKSTYX104K10
C	6746	10 uF	CCG1236	C	6859		CKSTYX104K10
C	6747		CKSQYX476M6R3	C	6860		CKSTYX104K10
C	6748		CCSTCH680J50	C	6861		CKSTYX104K10
C	6751		CKSRAYX106M10	C	6862		CKSTYX104K10
C	6752		CKSRAYX106M10	C	6863		CKSTYX104K10
C	6753		CKSQYX476M6R3	C	6864		CKSTYX104K10
C	6755		CKSRAYX226M6R3	C	6865		CKSTYX104K10
C	6757		CKSSBYX225M16	C	6866		CKSTYX104K10
C	6758	0.22 uF	CCG1313	C	6867		CKSTYX104K10
C	6759		CKSRYX106M6R3	C	6868		CKSTYX104K10
C	6761		CKSRYX474K50	C	6869		CKSTYX104K10
C	6762		CKSRAYX106M10	C	6870		CKSTYX104K10
C	6764		CKSRAYX106M10	C	6871		CKSTYX104K10
C	6766		CKSRAYX106M10	C	6872		CKSTYX104K10
C	6768		CKSRYX475K16	C	6873		CKSTYX104K10
C	6770		CKSQYX226M16	C	6874		CKSTYX104K10
C	6771		CKSYX476M16	C	6875		CKSTYX104K10
C	6772		CKSYX476M16	C	6876		CKSTYX104K10
C	6773		CKSYX476M16	C	6877		CKSTYX104K10
C	6774	1 uF	CCG1404	C	6878		CKSRYX106M6R3
C	6776	0.1 uF	CCG1321	C	6879		CKSRYX106M6R3
C	6777		CKSSYX105K16	C	6880		CKSRYX106M6R3
C	6778		CKSSYX105K16	C	6881		CKSTYX104K10
C	6791		CKSRYX106M6R3	C	6882		CKSTYX104K10
C	6792		CKSSBYX225M16	C	6883		CKSTYX104K10
C	6793		CKSRYX106M6R3	C	6884		CKSRYX106M6R3
C	6796		CKSTYX104K10	C	6885		CKSRYX106M6R3
C	6799	1 uF	CCG1404	C	6886		CKSRYX106M6R3
C	6803		CKSTYX104K10	C	6887		CKSRYX106M6R3

1

**Circuit Symbol and No.**

2

**Part No.**

3

**Circuit Symbol and No.**

4

**Part No.**

	C 6888	CKSSBYX225M16	C 6948	CKSTYX104K10
	C 6889	CKSSYX105K16	C 6949	CKSTYX104K10
A	C 6890	CKSSYX105K16	C 6950	CKSTYX104K10
	C 6891	CKSSYX105K16	C 6951	CKSSBYX225M16
	C 6892	CKSTYX104K10	C 6952	CKSSYX105K16
	C 6893	CKSTYX104K10	C 6953	CKSTYX104K10
	C 6894	CKSTYX104K10	C 6962	CKSTYX102K50
	C 6895	CKSTYX104K10	C 6965	CCSTCH8R0D50
	C 6896	CKSTYX104K10	C 6966	CCSTCH8R0D50
	C 6897	CKSTYX104K10	C 7001	CCSTCH470J50
	C 6898	CKSTYX104K10	C 7101	CCSTCH470J50
	C 6899	CKSTYX104K10	C 7102	CCSTCH470J50
	C 6900	CKSTYX104K10	C 7401	CKSTYX104K10
B	C 6901	CKSTYX104K10	C 7402	CCSTCH470J50
	C 6902	CKSTYX104K10	C 7403	CCSTCH470J50
	C 6903	CKSTYX104K10	C 7461	CKSTYX104K10
	C 6904	CKSTYX104K10	C 7462	CKSTYX104K10
	C 6905	CKSTYX104K10	C 7463	CKSTYX104K10
	C 6906	CKSTYX104K10	C 7464	CKSTYX104K10
	C 6907	CKSTYX104K10	C 7465	CKSTYX104K10
	C 6908	CKSTYX104K10	C 7466	CKSTYX104K10
	C 6909	CKSTYX104K10	C 7467	CKSTYX104K10
	C 6910	CKSTYX104K10	C 7468	CKSTYX104K10
	C 6911	CKSTYX104K10	C 7469	CKSTYX104K10
C	C 6912	CKSTYX104K10	C 7470	CKSTYX104K10
	C 6913	CKSTYX104K10	C 7475	CCSTCH101J50
	C 6914	CKSTYX104K10	C 7476	CCSTCH101J50
	C 6915	CKSTYX104K10	C 7491	CKSTYX104K10
	C 6916	CKSTYX104K10	C 7492	CKSTYX104K10
	C 6917	CKSTYX104K10	C 7493	CKSRAYX106M10
	C 6918	CKSTYX104K10	C 7494	CKSTYX102K50
	C 6919	CKSTYX104K10	C 7591	CKSRYX106M6R3
	C 6920	CKSTYX104K10	C 7592	CKSRYX106M6R3
	C 6921	CKSTYX104K10	C 7593	CKSTYX104K10
	C 6922	CKSTYX104K10	C 7594	CKSTYX104K10
D	C 6923	CKSTYX104K10	C 7595	CKSTYX104K10
	C 6924	CKSTYX104K10	C 7596	CKSTYX104K10
	C 6925	CKSTYX104K10	C 7597	CKSTYX104K10
	C 6926	CKSTYX104K10	C 7598	CKSTYX104K10
	C 6927	CKSTYX104K10	C 7599	CKSTYX104K10
	C 6928	CKSTYX104K10	C 7600	CKSTYX104K10
	C 6929	CKSTYX104K10	C 7601	CKSTYX104K10
	C 6930	CKSTYX104K10	C 7602	CKSTYX104K10
	C 6931	CKSTYX104K10	C 7603	CKSTYX104K10
	C 6932	CKSTYX104K10	C 7604	CKSTYX104K10
E	C 6933	CKSTYX104K10	C 7605	CKSTYX104K10
	C 6934	CKSTYX104K10	C 7606	CKSTYX104K10
	C 6935	CKSTYX104K10	C 7607	CKSTYX104K10
	C 6936	CKSTYX102K50	C 7608	CKSTYX104K10
	C 6937	CKSTYX104K10	C 7609	CKSTYX104K10
	C 6938	CKSTYX102K50	C 7610	CKSTYX104K10
	C 6939	CKSTYX104K10	C 7611	CKSTYX104K10
	C 6940	CKSTYX102K50	C 7612	CKSTYX104K10
	C 6941	CKSTYX104K10	C 7613	CKSTYX104K10
	C 6942	CKSTYX104K10	C 7614	CKSTYX103K16
	C 6943	CKSTYX104K10	C 7615	CKSTYX104K10
	C 6944	CKSTYX104K10	C 7616	CKSTYX103K16
	C 6945	CKSTYX104K10	C 7617	CKSRYX106M6R3
	C 6946	CKSTYX104K10	C 7618	CKSTYX104K10
F	C 6947	CKSTYX104K10	C 7619	CKSRYX106M6R3

1

2

3

4

5  
**Circuit Symbol and No.**

6  
**Part No.**

7  
**Circuit Symbol and No.**

8  
**Part No.**

C 7620	CKSTYX104K10
C 7621	CKSTYX104K10
C 7622	CKSTYX104K10
C 7623	CKSTYX104K10
C 7624	CKSTYX104K10
C 7625	CKSTYX104K10
C 7626	CKSTYX104K10
C 7627	CKSTYX104K10
C 7628	CKSTYX104K10
C 7629	CKSRYX106M6R3
C 7630	CKSRYX106M6R3
C 7631	CKSTYX104K10
C 7632	CKSTYX104K10
C 7633	CKSTYX104K10
C 7634	CKSTYX104K10
C 7635	CKSTYX104K10
C 7636	CKSTYX104K10
C 7637	CKSTYX104K10
C 7638	CKSTYX104K10
C 7639	CKSTYX104K10
C 7640	CKSTYX104K10
C 7641	CKSTYX104K10
C 7642	CKSTYX104K10
C 7643	CKSTYX104K10
C 7644	CKSTYX104K10
C 7645	CKSTYX104K10
C 7646	CKSTYX104K10
C 7647	CKSTYX104K10
C 7648	CKSTYX104K10
C 7649	CKSTYX104K10
C 7650	CKSTYX104K10
C 7651	CKSTYX104K10
C 7652	CKSTYX103K16
C 7653	CKSTYX104K10
C 7654	CKSTYX103K16
C 7655	CKSRYX106M6R3
C 7656	CKSTYX104K10
C 7657	CKSRYX106M6R3
C 7658	CKSTYX104K10
C 7659	CKSTYX104K10
C 7660	CKSTYX104K10
C 7661	CKSTYX104K10
C 7662	CKSTYX104K10
C 7663	CKSTYX104K10
C 7664	CKSTYX104K10
C 7665	CKSTYX104K10
C 7666	CKSTYX104K10
C 7681	CKSTYX104K10
C 7682	CKSTYX104K10
C 7691	CKSSBYX225M16
C 7692	CKSTYX104K10
C 7693	CKSSYX105K16
C 7694	CKSTYX104K10
C 7695	CKSTYX104K10
C 7696	CKSTYX104K10
C 7697	CKSYX476M16
C 7698	CKSSBYX225M16
C 7699	CKSTYX104K10
C 7700	CKSTYX104K10
C 7701	CKSTYX104K10



**Unit Number : CWX4989**  
**Unit Name : CHIPS C Unit**

**MISCELLANEOUS**

IC 9601	IC	UBX-M8030-KT
IC 9651	Flash Blank UC IC	R5S726A0D216FP
IC 9652	Flash ROM Unit	CVQ1273
IC 9653	Reset IC	PST8227N
IC 9654	Regulator IC	MM3411Z12N
D 9651	Switching Diode	1SS355VM
L 9601	Inductor	CTF1795
L 9602	Inductor	LCYB8N2J1005
L 9604	Chip Ferrite Beads	OTL8019
L 9605	Chip Ferrite Beads	OTL8019
L 9651	Chip Ferrite Beads	OTL8019
L 9652	Chip Ferrite Beads	OTL8019
L 9653	Chip Ferrite Beads	OTL8019
X 9601	Crystal Oscillator 26 MHz	CWX4769
X 9602	Crystal Resonator 32.765 kHz	CSS1880
X 9651	Crystal Resonator 10 MHz	CSS1799
SN 9601	Sensor	CSX1405
CN 9601	Connector	CKS5204

**RESISTORS**

R 9602	RS1/16SS0R0J
R 9604	RS1/16SS101J
R 9605	RS1/16SS103J
R 9608	RS1/16SS101J
R 9623	RS1/16SS0R0J
R 9659	RS1/16SS272J
R 9660	RS1/16SS272J
R 9661	RS1/16SS330J
R 9662	RS1/16SS330J
R 9663	RS1/16SS473J
R 9664	RS1/16SS473J
R 9665	RS1/16SS473J
R 9666	RS1/16SS101J
R 9667	RS1/16SS101J
R 9668	RS1/16SS103J
R 9669	RS1/16SS101J
R 9670	RS1/16SS101J
R 9671	RS1/16SS103J
R 9672	RS1/16SS101J
R 9673	RS1/16SS101J
R 9674	RS1/16SS101J
R 9675	RS1/16SS101J
R 9676	RAB4CQ473J
R 9677	RS1/16SS473J
R 9678	RS1/16SS473J
R 9679	RS1/16SS473J
R 9680	RS1/16SS473J

Circuit Symbol and No.Part No.Circuit Symbol and No.Part No.

R	9681	RS1/16SS392J
R	9682	RS1/16SS104J
R	9685	RS1/16SS473J

**D****Unit Number : CXY5457****Unit Name : Service Unit (Monitor)**MISCELLANEOUS

IC	5001	Regulator IC
IC	5101	Display IC
IC	5402	Interface IC
IC	5403	Regulator IC
IC	5404	Regulator IC

MM3702A33P
OZ527ILN
CXD4934GG
MM3411A18N
MM3411A12N

IC	5501	IC
Q	5001	Bipolar TR
Q	5002	Bipolar TR
Q	5003	Bipolar TR
Q	5004	Bipolar TR
Q	5005	Bipolar TR
Q	5006	Bipolar TR
Q	5601	Bipolar TR
Q	5602	Bipolar TR
D	5101	Schottky Diode

ATMXT641TD-AT
HN1C01FUS1
HN1C01FUS1
HN1C01FUS1
HN1C01FUS1
HN1C01FUS1
HN1C01FUS1
HN1C01FUS1
LSCR523UB
RB162MM-40TF

D	5601	LED
L	5101	Inductor
L	5403	Inductor
L	5404	Inductor
L	5409	SMD Ferrite Beads

MSL0101RGBU
BTH1112
CTF1778
CTF1778
CTF1869

TH	5000	SMD Thermistor
CN	5001	FFC/FPC Connector
CN	5002	Connector
CN	5301	FFC/FPC Connector
CN	5302	FFC/FPC Connector
CN	5501	FFC/FPC Connector

ERTJ0ER104F
CKS6635
CKS5560
CKS6635
CKS6890
CKS6645

RESISTORS

R	5001
R	5002
R	5003
R	5004
R	5005

RS1/16SS8R2J
RS1/16SS271J
RS1/16SS332J
RS1/16SS8R2J
RS1/16SS271J

R	5006
R	5007
R	5008
R	5009
R	5010

RS1/16SS8R2J
RS1/16SS332J
RS1/16SS271J
RS1/16SS332J
RS1/16SS8R2J

R	5011
R	5012
R	5013
R	5014
R	5015

RS1/16SS271J
RS1/16SS332J
RS1/16SS330J
RS1/16SS181J
RS1/16SS272J

R	5016
R	5017
R	5018
R	5019
R	5020

RS1/16SS330J
RS1/16SS181J
RS1/16SS330J
RS1/16SS272J
RS1/16SS181J

R	5021
R	5022
R	5023
R	5024
R	5025

RS1/16SS272J
RS1/16SS330J
RS1/16SS181J
RS1/16SS272J
RS1/16SS330J

A	R	9686
	R	9688
	R	9689
	R	9690
	R	9691

RS1/16SS473J
RS1/16SS473J
RS1/16SS473J
RS1/16SS101J
RS1/16SS101J

R	9693
R	9694
R	9695
R	9696
R	9697

RS1/16SS101J
RS1/16SS103J
RS1/16SS101J
RS1/16SS101J
RS1/16SS272J

B CAPACITORS

C	9506
C	9601
C	9602
C	9603
C	9604

CCSTCH101J50
CKSTYX102K50
CKSSYX105K16
CKSSBYX225M10
CKSSYX105K16

C	9605
C	9606
C	9607
C	9608
C	9609

CKSSYX105K16
CCSTCH5R0C50
CKSTYX104K10
CKSSYX105K16
CCSTCH6R0D50

C	9610
C	9612
C	9613
C	9614
C	9616

CKSSYX105K16
CCSTCJ3R0C50
CCSTCH470J50
CKSTYX104K10
CKSSYX105K16

C	9617
C	9618
C	9651
C	9652
C	9653

CKSSYX105K16
CKSTYX104K10
CKSTYX104K10
CKSTYX104K10
CKSTYX104K10
CKSTYX104K10

D	C	9654
	C	9655
	C	9656
	C	9657
	C	9658

CKSTYX104K10
CKSTYX104K10
CKSTYX104K10
CKSTYX104K10
CKSTYX104K10

C	9659
C	9660
C	9661
C	9662
C	9663

CKSTYX104K10
CKSTYX104K10
CKSTYX104K10
CKSTYX104K10
CCSTCJ3R0C50

E	C	9664
	C	9665
	C	9666
	C	9667
	C	9668

CKSTYX104K10
CKSTYX104K10
CKSTYX104K10
CKSTYX104K10
CKSTYX104K10

C	9669
C	9670
C	9671
C	9672
C	9673

CKSTYX104K10
CKSTYX104K10
CKSTYX104K10
CKSSYX105K16
CCSTCH120J50

F	C	9674
	C	9675
	C	9676

CCSTCH120J50
CKSSYX474K6R3
CKSSYX474K6R3

5		6		7		8	
<u>Circuit Symbol and No.</u>		<u>Part No.</u>		<u>Circuit Symbol and No.</u>		<u>Part No.</u>	
R	5026		RS1/16SS181J	R	5443		RS1/10SR0R0J
R	5027		RS1/16SS272J	R	5444		RS1/16SS472J
R	5028		RS1/16SS330J	R	5445		RS1/16SS472J
R	5029		RS1/16SS181J	R	5501		RS1/16SS0R0J
R	5030		RS1/16SS330J	R	5502		RS1/16SS0R0J
R	5031		RS1/16SS272J	R	5503		RS1/16SS0R0J
R	5032		RS1/16SS181J	R	5504		RS1/16SS0R0J
R	5033		RS1/16SS272J	R	5505		RS1/16SS0R0J
R	5034		RS1/16SS330J	R	5506		RS1/16SS0R0J
R	5035		RS1/16SS181J	R	5507		RS1/16SS0R0J
R	5036		RS1/16SS272J	R	5508		RS1/16SS0R0J
R	5037		RS1/16SS272J	R	5509		RS1/16SS0R0J
R	5038		RS1/16SS272J	R	5510		RS1/16SS0R0J
R	5039		RS1/16SS272J	R	5511		RS1/16SS0R0J
R	5040		RS1/16SS272J	R	5512		RS1/16SS0R0J
R	5041		RS1/16SS272J	R	5513		RS1/16SS0R0J
R	5042		RS1/16SS272J	R	5514		RS1/16SS0R0J
R	5043		RS1/16SS272J	R	5515		RS1/16SS0R0J
R	5044		RS1/16SS272J	R	5516		RS1/16SS0R0J
R	5045		RS1/16SS332J	R	5517		RS1/16SS0R0J
R	5046		RS1/16SS332J	R	5518		RS1/16SS0R0J
R	5047		RS1/16SS332J	R	5519		RS1/16SS0R0J
R	5048		RS1/16SS332J	R	5520		RS1/16SS0R0J
R	5053		RS1/16SS683J	R	5521		RS1/16SS0R0J
R	5058		RS1/16SS133J	R	5522		RS1/16SS0R0J
R	5103		RS1/16SS104J	R	5523		RS1/16SS0R0J
R	5104		RS1/16SS104J	R	5524		RS1/16SS0R0J
R	5105		RS1/16SS104J	R	5525		RS1/16SS0R0J
R	5106		RS1/16SS102J	R	5526		RS1/16SS0R0J
R	5107		RS1/16SS563J	R	5527		RS1/16SS0R0J
R	5109		RS1/16SS104J	R	5528		RS1/16SS0R0J
R	5110		RS1/16SS681J	R	5529		RS1/16SS0R0J
R	5111		RS1/16SS2202D	R	5530		RS1/16SS0R0J
R	5112		RS1/16SS301J	R	5531		RS1/16SS0R0J
R	5119		RS1/16SS1003D	R	5532		RS1/16SS0R0J
R	5120		RS1/16SS3901D	R	5533		RS1/16SS0R0J
R	5121		RS1/16SS682J	R	5534		RS1/16SS0R0J
R	5304		RS1/16SS472J	R	5535		RS1/16SS104J
R	5305		RS1/16SS472J	R	5536		RS1/16SS104J
R	5306		RS1/16SS472J	R	5537		RS1/16SS104J
R	5409		RS1/16SS472J	R	5539		RS1/16SS0R0J
R	5411		RS1/16SS472J	R	5540		RS1/16SS0R0J
R	5412		RS1/16SS472J	R	5541		RS1/16SS0R0J
R	5418		RS1/16SS472J	R	5542		RS1/16SS820J
R	5419		RS1/16SS472J	R	5543		RS1/16SS330J
R	5426		RS1/16SS472J	R	5544		RS1/16SS560J
R	5427		RS1/16SS472J	R	5554		RS1/16SS0R0J
R	5428		RS1/10SR0R0J	R	5555		RS1/16SS0R0J
R	5429		RS1/10SR0R0J	R	5556		RS1/16SS0R0J
R	5430		RS1/16SS472J	R	5557		RS1/16SS0R0J
R	5431		RS1/16SS472J	R	5558		RS1/16SS0R0J
R	5432		RS1/16SS472J	R	5559		RS1/16SS0R0J
R	5433		RS1/16SS472J	R	5560		RS1/16SS0R0J
R	5436		RS1/16SS472J	R	5561		RS1/16SS0R0J
R	5437		RS1/16SS104J	R	5562		RS1/16SS0R0J
R	5438		RS1/16SS472J	R	5563		RS1/16SS0R0J
R	5439		RS1/16SS472J	R	5565		RS1/16SS0R0J
R	5440		RS1/10SR0R0J	R	5566		RS1/16SS0R0J
R	5441		RS1/10SR0R0J	R	5567		RS1/16SS0R0J
R	5442		RS1/10SR0R0J	R	5601		RS1/16SS220J

1

**Circuit Symbol and No.**

R 5602  
R 5604  
R 5605  
R 5607  
R 5608

R 5610  
R 5611  
R 5612  
R 5613  
R 5614

R 5615

**CAPACITORS**

C 5001  
C 5004  
C 5005  
C 5006  
C 5007

C 5008  
C 5105  
C 5107  
C 5109  
C 5110

C 5111  
C 5113  
C 5114  
C 5116  
C 5301

C 5302  
C 5303  
C 5304  
C 5305  
C 5306

C 5308  
C 5309  
C 5401  
C 5402  
C 5403

C 5404  
C 5405  
C 5406  
C 5407  
C 5408

C 5409  
C 5410  
C 5411  
C 5412  
C 5413

C 5414  
C 5415  
C 5416  
C 5417  
C 5418

C 5419  
C 5422  
C 5423  
C 5424  
C 5427

2

**Part No.**

RS1/16SS390J  
RS1/16SS220J  
RS1/16SS330J  
RS1/16SS220J  
RS1/16SS330J

RS1/16SS332J  
RS1/16SS272J  
RS1/16SS332J  
RS1/16SS332J  
RS1/16SS272J

RS1/16SS332J

CKSTYX104K25  
CKSTYX104K10  
CKSTYX104K10  
CKSTYX473K10  
CKSSYX105K16

CKSSYX105K16  
CKSQYX106K16  
CKSSYX105K16  
CKSSYX105K16  
CKSTYX104K25

CKSSYX105K16  
CCSTCH101J50  
CKSSYX224K16  
CKSQYX106K35  
CKSTYX331K50

CKSTYX331K50  
CKSTYX331K50  
CKSTYX102K50  
CKSTYX104K35  
CKSQYX106K16

CKSTYX102K50  
CKSTYX331K50  
CKSSYX105K16  
CCSTCH181J50  
CKSTYX104K10

CKSTYX104K10  
CKSTYX104K10  
CKSTYX104K10  
CKSTYX104K10  
CKSSAYX474K16

CKSSAYX474K16  
CKSSAYX474K16  
CKSSYX105K16  
CKSSYX105K16  
CKSSYX105K16

CKSSYX105K16  
CKSSYX105K16  
CKSSYX105K16  
CKSSYX105K16  
CKSTYX104K10

CKSTYX104K10  
CKSSYX105K16  
CCSTCH181J50  
CKSTYX104K10  
CKSSAYX474K16

3

**Circuit Symbol and No.**

C 5432  
C 5501  
C 5502  
C 5503  
C 5504

C 5505  
C 5506  
C 5507  
C 5508  
C 5509

C 5510  
C 5511  
C 5512  
C 5513

**E****Unit Number : CXY6668****Unit Name : Service Unit (ILM)****MISCELLANEOUS**

D 2001 LED  
D 2002 LED  
D 2003 LED  
D 2004 LED  
U 2001 Remote Receiver Unit

CN 2001 FFC/FPC Connector

CKSSYX105K16  
CKSTYX223K25  
CKSTYX223K25  
CKSSAYX105K25  
CKSTYX223K25

CKSTYX223K25  
CKSTYX103K50  
CKSSBYX225M10  
CKSSBYX225M10  
CKSTYX223K25

CKSTYX223K25  
CKSTYX223K25  
CKSTYX223K25  
CKSSBYX225M10

**RESISTORS**

R 2001  
R 2002  
R 2003  
R 2004  
R 2005

R 2006  
R 2007  
R 2008  
R 2009  
R 2010

R 2011  
R 2012  
R 2013

RS1/16SS150J  
RS1/16SS150J  
RS1/16SS150J  
RS1/16SS150J  
RS1/16SS470J

RS1/16SS390J  
RS1/16SS620J  
RS1/16SS390J  
RS1/16SS620J  
RS1/16SS390J

RS1/16SS620J  
RS1/16SS390J  
RS1/16SS620J

**CAPACITORS**

C 2010  
C 2011

CKSTYX104K25  
CKSTYX104K10

**F****Unit Number : CXY6669****Unit Name : Service Unit (BL)****MISCELLANEOUS**

CN 5701 FFC/FPC Connector  
CN 5702 FFC/FPC Connector

CKS6635  
CKS6706

5  
**Circuit Symbol and No.**

6  
**Part No.**

7  
**Circuit Symbol and No.**

8  
**Part No.**



**Unit Number : CXY5451 (B)**  
**Unit Number : CXY5452 (C)**  
**Unit Name : Service Unit (Monitor)**

**MISCELLANEOUS**

IC 5001	Regulator IC	MM3702A33P
IC 5101	Display IC	OZ527ILN
IC 5201	DC/DC CONV IC	R1294L102A
IC 5300	OP AMP IC	NJM2904CRB1
IC 5401	ROM IC	BR24T04FV-W
IC 5402	Interface IC	CXD4934GG
IC 5403	Regulator IC	MM3411A18N
IC 5404	Regulator IC	MM3411A12N
IC 5501	IC	ATMXT449TD-AT
Q 5001	Bipolar TR	HN1C01FUS1
Q 5002	Bipolar TR	HN1C01FUS1
Q 5003	Bipolar TR	HN1C01FUS1
Q 5004	Bipolar TR	HN1C01FUS1
Q 5005	Bipolar TR	HN1C01FUS1
Q 5006	Bipolar TR	HN1C01FUS1
Q 5201	Resistor Built-IN TR	LTC024EEB
Q 5202	Bipolar TR	LSAR523UB
Q 5203	Transistor	2SAR502UB
Q 5204	Bipolar TR	LSCR523UB
Q 5601	Bipolar TR	HN1C01FUS1
Q 5602	Bipolar TR	LSCR523UB
D 5101	Schottky Diode	RB162MM-40TF
D 5201	Schottky Diode	RB060MM-30TF
D 5202	Diode	RB548W
D 5204	Diode	RB548W
D 5601	LED	MSL0101RGBU
L 5101	Inductor	BTH1112
L 5201	SMD SPL Inductor	CTH1680
L 5202	SMD Ferrite Beads	CTF1893
L 5300	SMD SPL Inductor	LCYA101J2016
L 5301	SMD Ferrite Beads	CTF1869
L 5302	SMD Ferrite Beads	CTF1883
L 5303	SMD Ferrite Beads	CTF1883
L 5304	SMD Ferrite Beads	CTF1883
L 5403	Inductor	CTF1778
L 5404	Inductor	CTF1778
L 5409	SMD Ferrite Beads	CTF1869
TH 5000	SMD Thermistor	ERTJ0ER104F
CN 2001	FFC/FPC Connector	CKS6421
CN 5001	FFC/FPC Connector	CKS6635
CN 5002	Connector	CKS5560
CN 5301	FFC/FPC Connector	CKS6635
CN 5302	FFC/FPC Connector	CKS6707
CN 5501	FFC/FPC Connector	CKS6645

**RESISTORS**

R 5001	RS1/16SS8R2J
R 5002	RS1/16SS271J
R 5003	RS1/16SS332J
R 5004	RS1/16SS8R2J
R 5005	RS1/16SS271J

R 5006	RS1/16SS8R2J
R 5007	RS1/16SS332J
R 5008	RS1/16SS271J
R 5009	RS1/16SS332J
R 5010	RS1/16SS8R2J
R 5011	RS1/16SS271J
R 5012	RS1/16SS332J
R 5013	RS1/16SS330J
R 5014	RS1/16SS181J
R 5015	RS1/16SS272J
R 5016	RS1/16SS330J
R 5017	RS1/16SS181J
R 5018	RS1/16SS330J
R 5019	RS1/16SS272J
R 5020	RS1/16SS181J
R 5021	RS1/16SS272J
R 5022	RS1/16SS330J
R 5023	RS1/16SS181J
R 5024	RS1/16SS272J
R 5025	RS1/16SS330J
R 5026	RS1/16SS181J
R 5027	RS1/16SS272J
R 5028	RS1/16SS330J
R 5029	RS1/16SS181J
R 5030	RS1/16SS330J
R 5031	RS1/16SS272J
R 5032	RS1/16SS181J
R 5033	RS1/16SS272J
R 5034	RS1/16SS330J
R 5035	RS1/16SS181J
R 5036	RS1/16SS272J
R 5037	RS1/16SS272J
R 5038	RS1/16SS272J
R 5039	RS1/16SS272J
R 5040	RS1/16SS272J
R 5041	RS1/16SS272J
R 5042	RS1/16SS272J
R 5043	RS1/16SS272J
R 5044	RS1/16SS272J
R 5045	RS1/16SS332J
R 5046	RS1/16SS332J
R 5047	RS1/16SS332J
R 5048	RS1/16SS332J
R 5050	RS1/16SS103J
R 5053	RS1/16SS6802D
R 5058	RS1/16SS512J
R 5103	RS1/16SS104J
R 5104	RS1/16SS104J
R 5105	RS1/16SS104J
R 5106	RS1/16SS102J
R 5107	RS1/16SS563J
R 5108	RS1/8SQ2R2J
R 5109	RS1/16SS104J
R 5110	RS1/16SS681J
R 5111	RS1/16SS1802D
R 5112	RS1/16SS101J
R 5119	RS1/16SS1003D
R 5120	RS1/16SS1802D
R 5121	RS1/16SS8201F
R 5201	RS1/16SS1002D

1

**Circuit Symbol and No.**

2

**Part No.**

3

**Circuit Symbol and No.**

4

**Part No.**

	R	5202	RS1/16SS1002D	R	5335	RS1/16SS1100D
	R	5203	RS1/16SS8201D	R	5336	RS1/16SS39R0D
	R	5204	RS1/16SS103J	R	5338	RS1/16SS223J
A	R	5206	RS1/16SS1203D	R	5339	RS1/16SS105J
	R	5207	RS1/16SS1802D	R	5340	RS1/16SS2402D
	R	5208	RS1/16SS203J	R	5341	RS1/16SS3002D
	R	5209	RS1/16SS104J	R	5342	RS1/16SS100J
	R	5210	RS1/16SS103J	R	5343	RS1/16SS473J
	R	5211	RS1/16SS222J	R	5344	RS1/16SS473J
	R	5212	RS1/16SS1103D	R	5348	RS1/16SS104J
	R	5213	RS1/16SS1002D	R	5350	RS1/16SS0R0J
	R	5214	RS1/4SA100J	R	5352	RS1/16SS0R0J
	R	5215	RS1/16SS1503D	R	5354	RS1/16SS0R0J
	R	5216	RS1/16SS1202D	R	5401	RS1/16SS472J
B	R	5217	RS1/16SS472J	R	5402	RS1/16SS472J
	R	5218	RS1/4SA100J	R	5403	RS1/16SS101J
	R	5219	RS1/10SR332J	R	5404	RS1/16SS101J
	R	5220	RS1/16SS103J	R	5405	RS1/16SS101J
	R	5221	RS1/16SS682J	R	5406	RS1/16SS473J
	R	5222	RS1/16SS103J	R	5407	RS1/16SS271J
	R	5223	RS1/10SR512J	R	5409	RS1/16SS472J
	R	5224	RS1/10SR682J	R	5411	RS1/16SS472J
	R	5225	RS1/10SR682J	R	5412	RS1/16SS472J
	R	5227	RS1/10SR103J	R	5418	RS1/16SS472J
	R	5228	RS1/10SR103J	R	5419	RS1/16SS472J
C	R	5229	RS1/10SR103J	R	5426	RS1/16SS472J
	R	5301	RS1/16SS181J	R	5427	RS1/16SS472J
	R	5302	RS1/16SS43R0D	R	5430	RS1/16SS472J
	R	5303	RS1/16SS24R0D	R	5431	RS1/16SS472J
	R	5304	RS1/16SS10R0D	R	5432	RS1/16SS472J
	R	5305	RS1/16SS131J	R	5433	RS1/16SS472J
	R	5306	RS1/16SS75R0D	R	5436	RS1/16SS472J
	R	5307	RS1/16SS39R0D	R	5437	RS1/16SS104J
	R	5308	RS1/16SS39R0D	R	5438	RS1/16SS472J
	R	5309	RS1/16SS51R0D	R	5439	RS1/16SS472J
D	R	5310	RS1/16SS47R0D	R	5443	RS1/10SR0R0J
	R	5311	RS1/16SS68R0D	R	5501	RS1/16SS0R0J
	R	5312	RS1/16SS20R0D	R	5502	RS1/16SS0R0J
	R	5313	RS1/16SS47R0D	R	5503	RS1/16SS0R0J
	R	5314	RS1/16SS270J	R	5504	RS1/16SS0R0J
	R	5315	RS1/16SS1200D	R	5505	RS1/16SS0R0J
	R	5316	RS1/16SS43R0D	R	5506	RS1/16SS0R0J
	R	5317	RS1/16SS10R0D	R	5507	RS1/16SS0R0J
	R	5318	RS1/16SS75R0D	R	5508	RS1/16SS0R0J
	R	5319	RS1/16SS47R0D	R	5509	RS1/16SS0R0J
	R	5320	RS1/16SS10R0D	R	5510	RS1/16SS0R0J
E	R	5321	RS1/16SS1200D	R	5511	RS1/16SS0R0J
	R	5322	RS1/16SS43R0D	R	5512	RS1/16SS0R0J
	R	5323	RS1/16SS47R0D	R	5513	RS1/16SS0R0J
	R	5324	RS1/16SS270J	R	5514	RS1/16SS0R0J
	R	5325	RS1/16SS68R0D	R	5515	RS1/16SS0R0J
	R	5326	RS1/16SS20R0D	R	5516	RS1/16SS0R0J
	R	5327	RS1/16SS51R0D	R	5517	RS1/16SS0R0J
	R	5328	RS1/16SS47R0D	R	5518	RS1/16SS0R0J
	R	5329	RS1/16SS39R0D	R	5519	RS1/16SS0R0J
	R	5330	RS1/16SS39R0D	R	5520	RS1/16SS0R0J
F	R	5331	RS1/16SS131J	R	5521	RS1/16SS0R0J
	R	5332	RS1/16SS75R0D	R	5522	RS1/16SS0R0J
	R	5333	RS1/16SS24R0D	R	5523	RS1/16SS0R0J
	R	5334	RS1/16SS10R0D	R	5524	RS1/16SS0R0J

1

2

3

4

5		6		7		8	
<u>Circuit Symbol and No.</u>		<u>Part No.</u>		<u>Circuit Symbol and No.</u>		<u>Part No.</u>	
R	5525	RS1/16SS0R0J		C	5206	CKSTYX222K50	
R	5526	RS1/16SS0R0J		C	5207	CKSTYX102K50	
R	5527	RS1/16SS0R0J					
R	5528	RS1/16SS0R0J		C	5208	CKSSAYX105K25	
R	5529	RS1/16SS0R0J		C	5209	CKSSYX105K16	A
				C	5210	CKSSAYX105K25	
R	5530	RS1/16SS0R0J		C	5213	CKSTYX104K35	
R	5531	RS1/16SS0R0J		C	5214	CKSTYX104K35	
R	5532	RS1/16SS0R0J					
R	5533	RS1/16SS0R0J		C	5217	CKSQYX475K50	
R	5534	RS1/16SS0R0J		C	5218	CKSTYX103K50	
				C	5219	CKSSBYX475M10	
R	5535	RS1/16SS104J		C	5220	CCSTCH101J50	
R	5536	RS1/16SS104J		C	5221	CKSTYX681K50	
R	5537	RS1/16SS104J					
R	5539	RS1/16SS0R0J		C	5222 10 uF	CCG1236	
R	5540	RS1/16SS0R0J		C	5223 10 uF	CCG1236	B
				C	5224	CKSTYX102K50	
R	5541	RS1/16SS0R0J		C	5226	CKSSAYX105K25	
R	5542	RS1/16SS820J		C	5227	CKSRAYX106M10	
R	5543	RS1/16SS330J					
R	5544	RS1/16SS560J		C	5228	CKSTYX104K35	
R	5545	RS1/16SS0R0J		C	5231	CKSTYX333K16	
				C	5232	CKSTYX471K50	
R	5555	RS1/16SS0R0J		C	5301	CKSTYX331K50	
R	5556	RS1/16SS0R0J		C	5302	CKSTYX331K50	
R	5557	RS1/16SS0R0J					
R	5558	RS1/16SS0R0J		C	5303	CKSTYX331K50	
R	5559	RS1/16SS0R0J		C	5304	CKSSAYX105K25	
				C	5305	CKSSAYX105K25	C
R	5561	RS1/16SS0R0J		C	5306	CKSSAYX105K25	
R	5562	RS1/16SS0R0J		C	5307	CKSSAYX105K25	
R	5563	RS1/16SS0R0J					
R	5601	RS1/16SS220J		C	5308	CKSSAYX105K25	
R	5602	RS1/16SS390J		C	5309	CKSTYX331K50	
				C	5316	CKSRAYX106M10	
R	5604	RS1/16SS220J		C	5317	CKSRAYX475K25	
R	5605	RS1/16SS330J		C	5319	CKSQYX475K50	
R	5607	RS1/16SS220J					
R	5608	RS1/16SS330J		C	5320	CKSTYX104K25	
R	5610	RS1/16SS332J		C	5321 0.1 uF	CCG1321	
				C	5322	CKSTYX104K35	
R	5611	RS1/16SS272J		C	5323	CKSTYX104K35	D
R	5612	RS1/16SS332J		C	5327	CCSTCH101J50	
R	5613	RS1/16SS332J					
R	5614	RS1/16SS272J		C	5330	CKSSAYX105K25	
R	5615	RS1/16SS332J		C	5332	CKSTYX104K10	
				C	5333	CKSTYX104K10	
				C	5334	CKSTYX104K10	
				C	5335	CKSTYX104K35	
<b><u>CAPACITORS</u></b>							
C	5001	CKSTYX104K25					
C	5004	CKSTYX104K10		C	5336	CKSQYX475K50	
C	5005	CKSTYX104K10		C	5401	CKSSYX105K16	
C	5006	CKSTYX473K10		C	5402	CCSTCH181J50	
C	5007	CKSSYX105K16		C	5403	CKSTYX104K10	
				C	5404	CKSTYX104K10	E
C	5008	CKSSYX105K16					
C	5105	CKSQYX106K16		C	5405	CKSTYX104K10	
C	5107	CKSSYX105K16		C	5406	CKSTYX104K10	
C	5109	CKSSYX105K16		C	5407	CKSTYX104K10	
C	5110	CKSTYX104K25		C	5408	CKSSAYX474K16	
				C	5409	CKSSAYX474K16	
C	5111	CKSSYX105K16					
C	5112	CKSTYX332K50		C	5410	CKSSAYX474K16	
C	5113	CCSTCH101J50		C	5411	CKSSYX105K16	
C	5114	CKSSYX224K16		C	5412	CKSSYX105K16	
C	5116	CKSQYX106K35		C	5413	CKSSYX105K16	
				C	5414	CKSSYX105K16	F
C	5201	CKSTYX103K16					
C	5203	CKSSYX105K16		C	5415	CKSSYX105K16	
C	5205	CKSTYX104K25		C	5416	CKSSYX105K16	
				C	5417	CKSSYX105K16	

**1**  
Circuit Symbol and No.

C 5418  
C 5419

A C 5421  
C 5422  
C 5423  
C 5424  
C 5427

C 5432  
C 5501  
C 5502  
C 5503  
C 5504

B C 5505  
C 5506  
C 5507  
C 5508  
C 5509

C 5510  
C 5511  
C 5512  
C 5513

**H**

C **Unit Number : CXY6666**  
**Unit Name : Service Unit (ILM)**

MISCELLANEOUS

D 2001 LED  
D 2002 LED  
D 2003 LED  
D 2004 LED  
U 2001 Remote Receiver Unit

RESISTORS

D R 2001  
R 2002  
R 2003  
R 2004  
R 2005  
  
R 2006  
R 2007  
R 2008  
R 2009  
R 2010  
  
E R 2011  
R 2012  
R 2013

CAPACITORS

C 2010  
C 2011

**I**

F **Unit Number : CXY6667**  
**Unit Name : Service Unit (BL)**

**2**  
Part No.

CKSTYX104K10  
CKSTYX104K10

CKSTYX104K10  
CKSSYX105K16  
CCSTCH181J50  
CKSTYX104K10  
CKSSAYX474K16

CKSSYX105K16  
CKSTYX223K25  
CKSTYX223K25  
CKSSAYX105K25  
CKSTYX223K25

CKSTYX223K25  
CKSTYX103K50  
CKSSBYX225M10  
CKSSBYX225M10  
CKSTYX223K25

CKSTYX223K25  
CKSTYX223K25  
CKSTYX223K25  
CKSSBYX225M10

**3**  
Circuit Symbol and No.

MISCELLANEOUS

CN 5701 FFC/FPC Connector  
CN 5702 FFC/FPC Connector

**J**

**Unit Number : CXY6665**  
**Unit Name : Service Unit (Antenna)**

MISCELLANEOUS

L 4301 Inductor  
L 4308 Inductor  
CN 4301 B TO W Connector  
CN 4302 B TO W Connector

RESISTORS

R 4304  
R 4307  
R 4308 SMD ML Inductor

CAPACITORS

C 4301 SMD ML Inductor  
C 4302  
C 4304 1.5 pF  
C 4306  
C 4307  
  
C 4343

**4**  
Part No.

CKS6635  
CKS6706

LCYB2N2S1005  
LCYB2N7S1005  
CKS6508  
CKS6508

RS1/16SS0R0J  
RS1/20S0R0J  
CTF1862

CTF1862  
CCSTCK1R0C50  
CCG1370  
CCSTCKR50C50  
CCSTCK1R0C50  
  
CCSTCK1R0C50