

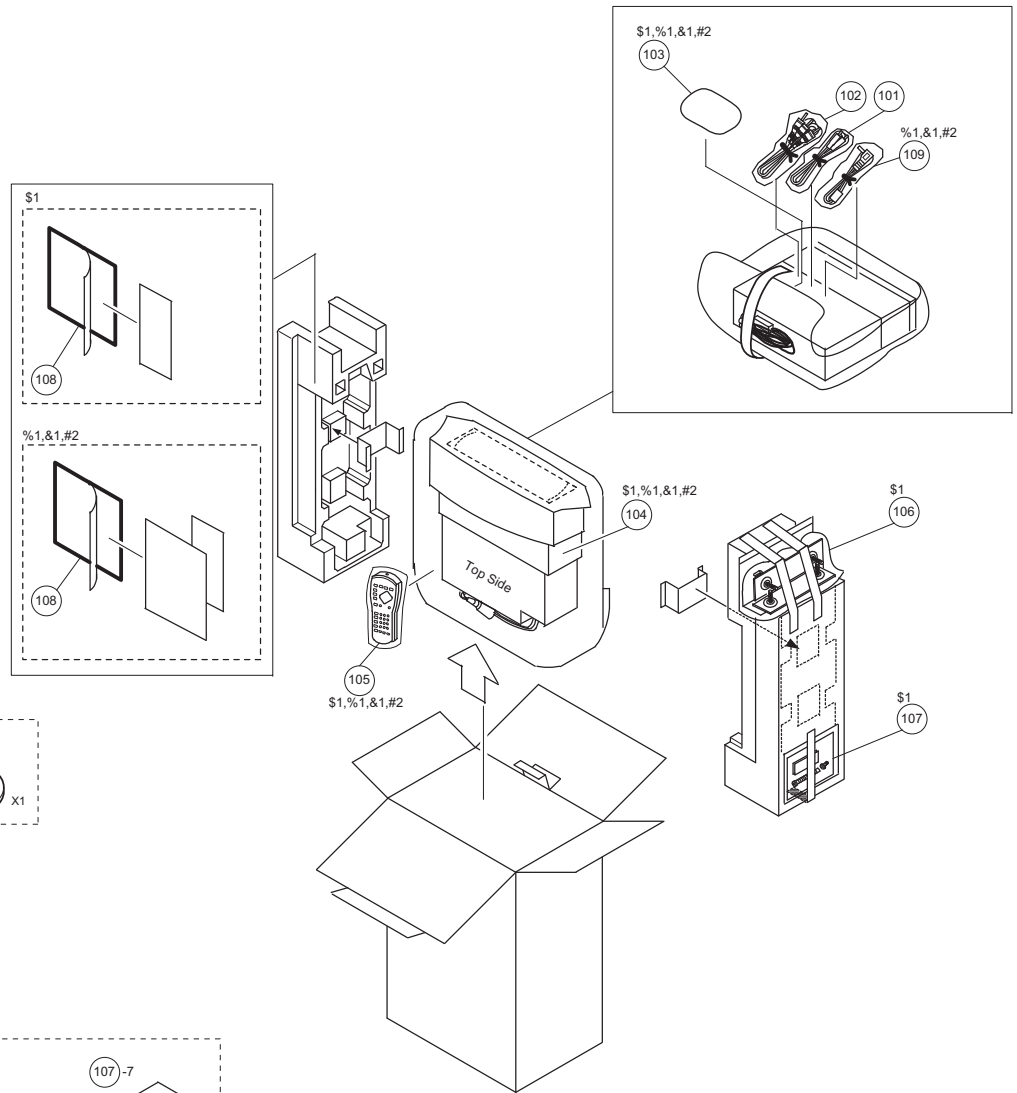
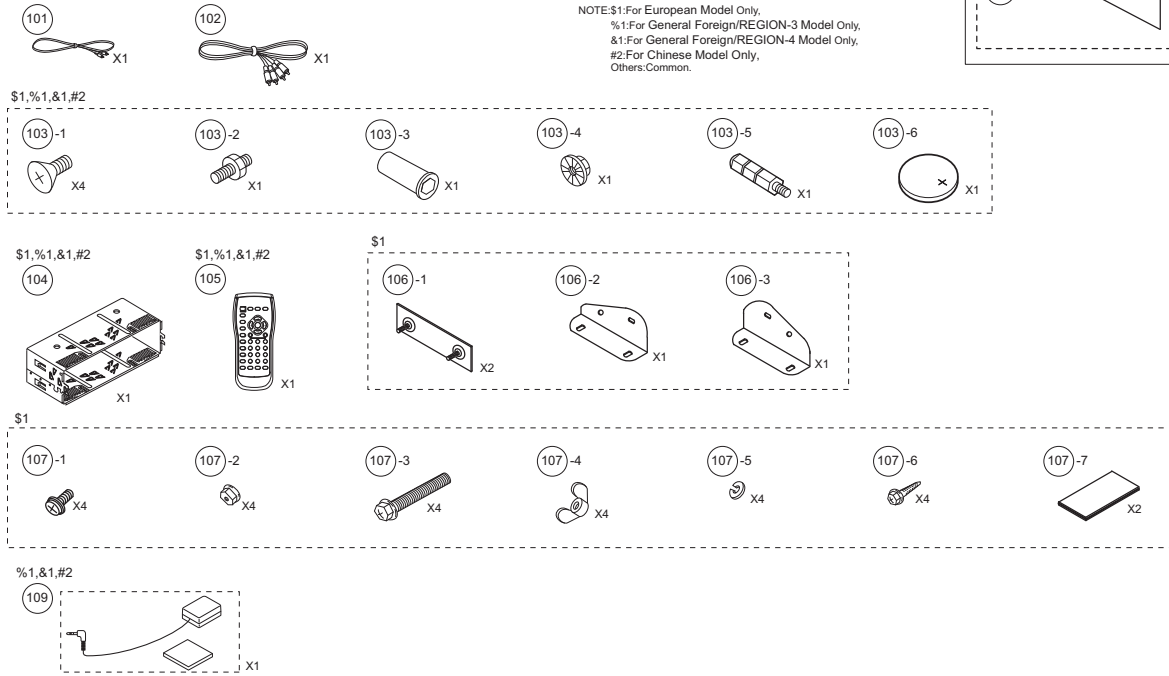
Packing Assembly Parts List

Symbol No.	Part No.	Description	Symbol No.	Part No.	Description
101	01T25634Y02	ASSY,WIRE VIDEO 2000	#2 103-6	60S70585F01	BAT,LIT.3V (CR2025)
102	01T15832W11	ASSY,RCA CABLE 2.0-2	\$1 104	15D00529K02	CASE,INNER
\$1 103-1	03S60820Y16	SCR,MCH 5X8 ZN A	%1 104	15D00529K02	CASE,INNER
%1 103-1	03S60820Y16	SCR,MCH 5X8 ZN A	&1 104	15D00529K02	CASE,INNER
&1 103-1	03S60820Y16	SCR,MCH 5X8 ZN A	#2 104	15D00529K02	CASE,INNER
#2 103-1	03S60820Y16	SCR,MCH 5X8 ZN A	\$1 105	01T75472Y01	ASSY.REMO RUE-4201
\$1 103-2	46A70667Y01	STUD,BOLT	%1 105	01T75472Y01	ASSY.REMO RUE-4201
&1 103-2	46A70667Y01	STUD,BOLT	&1 105	01T75472Y01	ASSY.REMO RUE-4201
%1 103-2	46A70667Y01	STUD,BOLT	#2 105	01T75472Y01	ASSY.REMO RUE-4201
#2 103-2	46A70667Y01	STUD,BOLT	\$1 106-1	07A50414W03	BKT.MTG.BASE
\$1 103-3	36A11113W01	CAP,RUBBER(A)	\$1 106-2	07B81278W01	BKT.SIDE (L)
%1 103-3	36A11113W01	CAP,RUBBER(A)	\$1 106-3	07B81278W02	BKT.SIDE (R)
&1 103-3	36A11113W01	CAP,RUBBER(A)	\$1 107-1	03D40121T67	SCR,MCH(W/W)M5X10 A
#2 103-3	36A11113W01	CAP,RUBBER(A)	\$1 107-2	02-02981Z01	NUT,CUS 6X8 ZB A
\$1 103-4	02B70670Y01	NUT,CUS 5X5.5 ZN A	\$1 107-3	03B90962F03	BOLT,HEX M6X50 A
%1 103-4	02B70670Y01	NUT,CUS 5X5.5 ZN A	\$1 107-4	02-02949Z01	NUT,CUS 6X9.5 ZB A
&1 103-4	02B70670Y01	NUT,CUS 5X5.5 ZN A	\$1 107-5	04-02958Z01	WAS,SPR6.1X12.2X1.5A
#2 103-4	02B70670Y01	NUT,CUS 5X5.5 ZN A	\$1 107-6	03S70694Y03	SCR,TPG 5X15 ZB A
\$1 103-5	03A60836Y01	SCR,CUS 5X7 ZN A	\$1 107-7	75T58346F01	PAD,MAGIC TAPE
%1 103-5	03A60836Y01	SCR,CUS 5X7 ZN A	\$1 108	68-02278Z32	O/M AOEU AODL
&1 103-5	03A60836Y01	SCR,CUS 5X7 ZN A	%1 108	68-02278Z33	O/M AAO AODL
#2 103-5	03A60836Y01	SCR,CUS 5X7 ZN A	&1 108	68-02278Z33	O/M AAO AODL
\$1 103-6	60S70585F01	BAT,LIT.3V (CR2025)	#2 108	68-02770Z09	O/M.AOCH 5207
%1 103-6	60S70585F01	BAT,LIT.3V (CR2025)	%1 109	01T15694Y05	ASSY.REMOCON EYE
&1 103-6	60S70585F01	BAT,LIT.3V (CR2025)	&1 109	01T15694Y05	ASSY.REMOCON EYE
#2 103-6	60S70585F01	BAT,LIT.3V (CR2025)	#2 109	01T15694Y05	ASSY.REMOCON EYE

NOTE:\$1:For European Model Only, %1:For General Foreign/REGION-3 Model Only,&1:For General Foreign/REGION-4 Model Only, #2:For Chinese Model Only, Others:Common.

Packing Method View

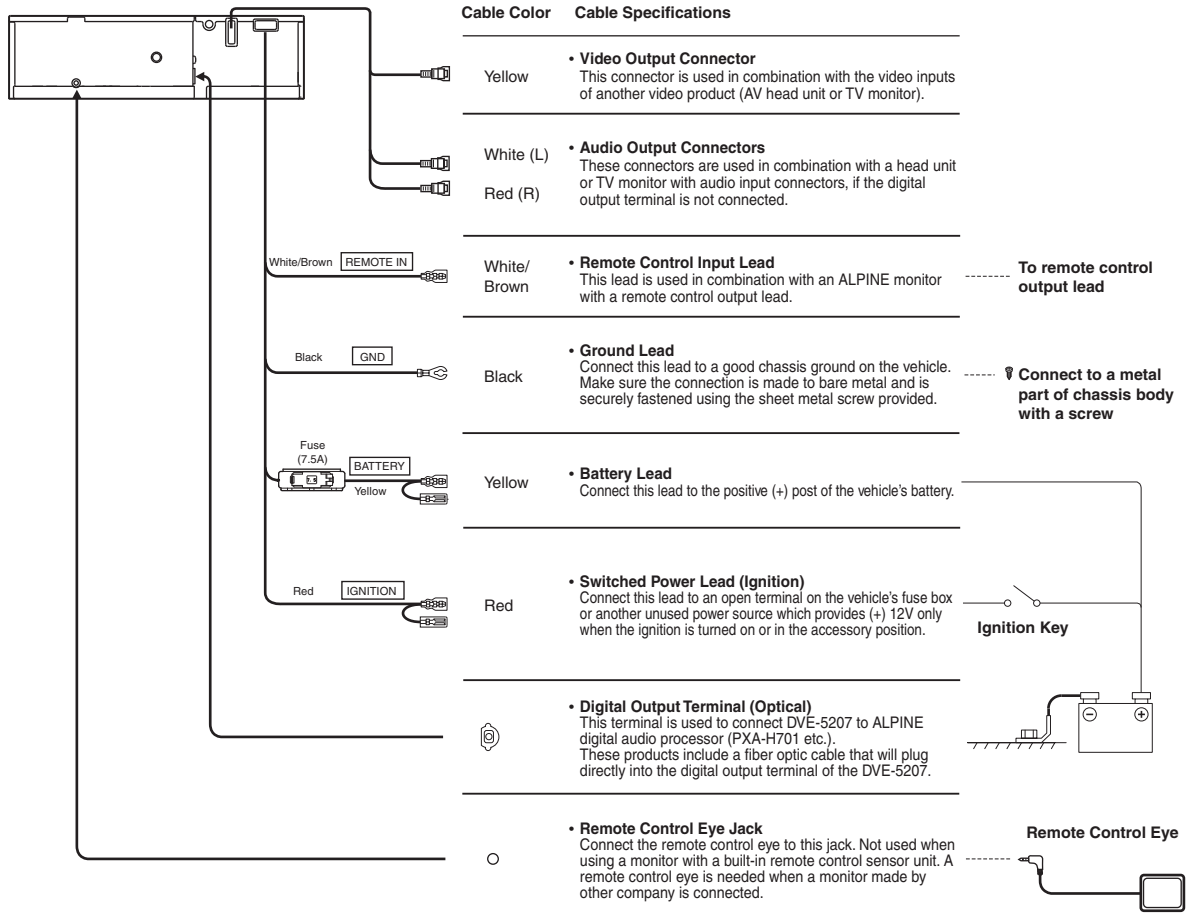
NOTE:\$1:For European Model Only, %1:For General Foreign/REGION-3 Model Only, &1:For General Foreign/REGION-4 Model Only, #2:For Chinese Model Only, Others:Common.



System Connections

DVE-5207

(North American Model Only)

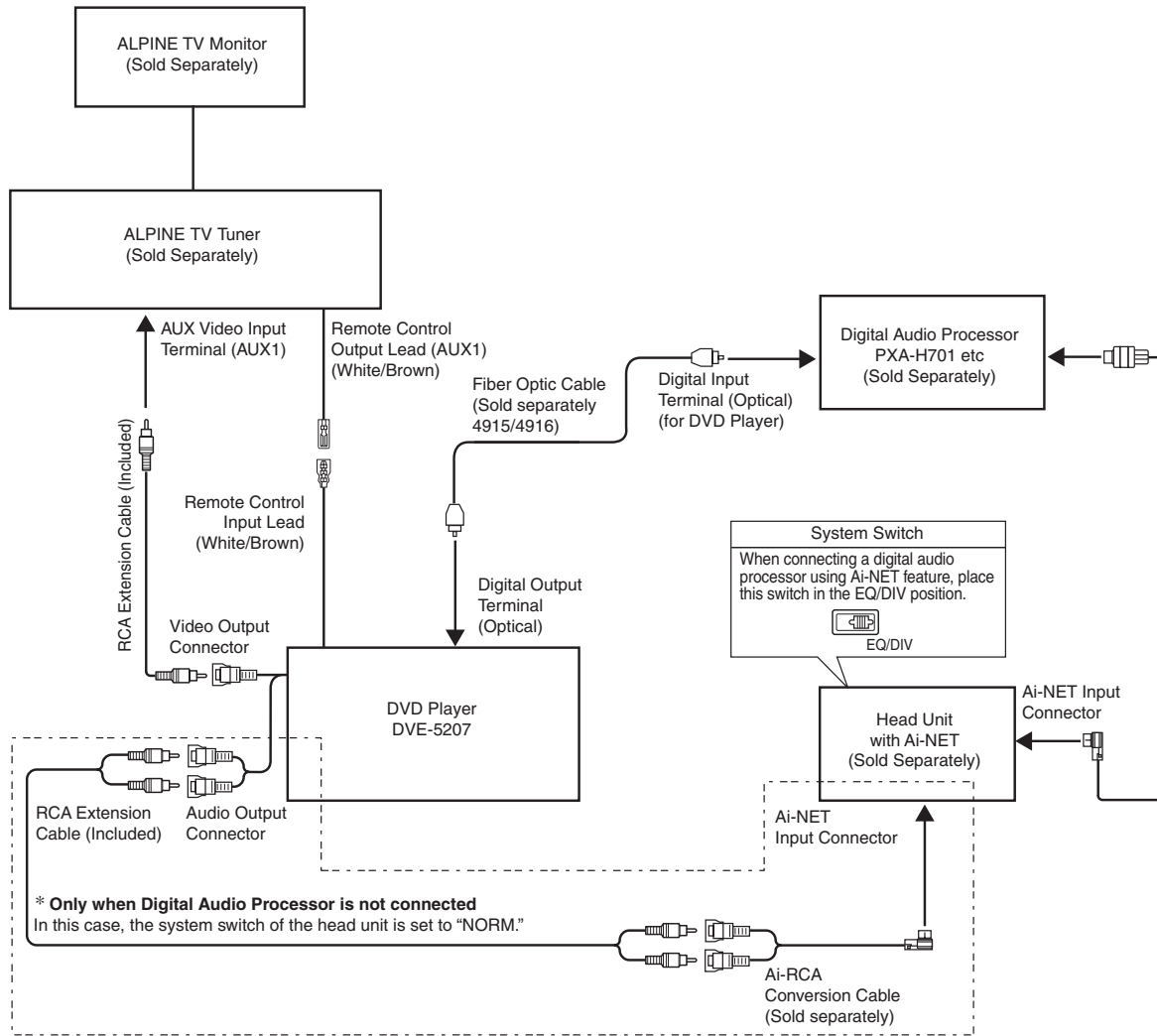


- *Connect properly.*
- *Never connect to parts other than the ones indicated in these operating instructions.*
- *Also refer to the operating instructions of the other products in the system.*
- *A remote control eye is needed when a monitor made by another company is connected.*

[TO CONTENTS](#)

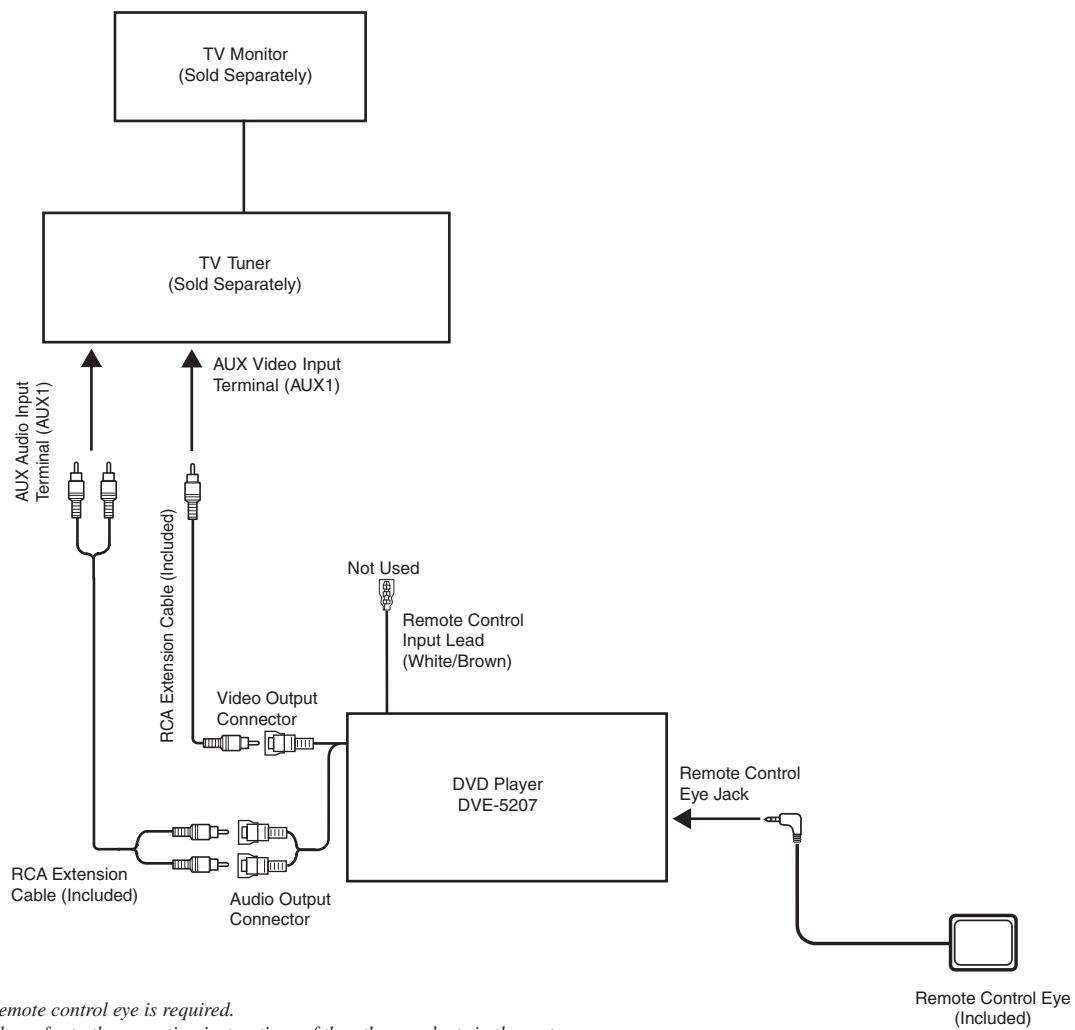
System Example

Connecting an Ai-NET compatible Head Unit, Digital Audio Processor (PXA-H701, PXA-H900, etc.) and ALPINE TV Monitor



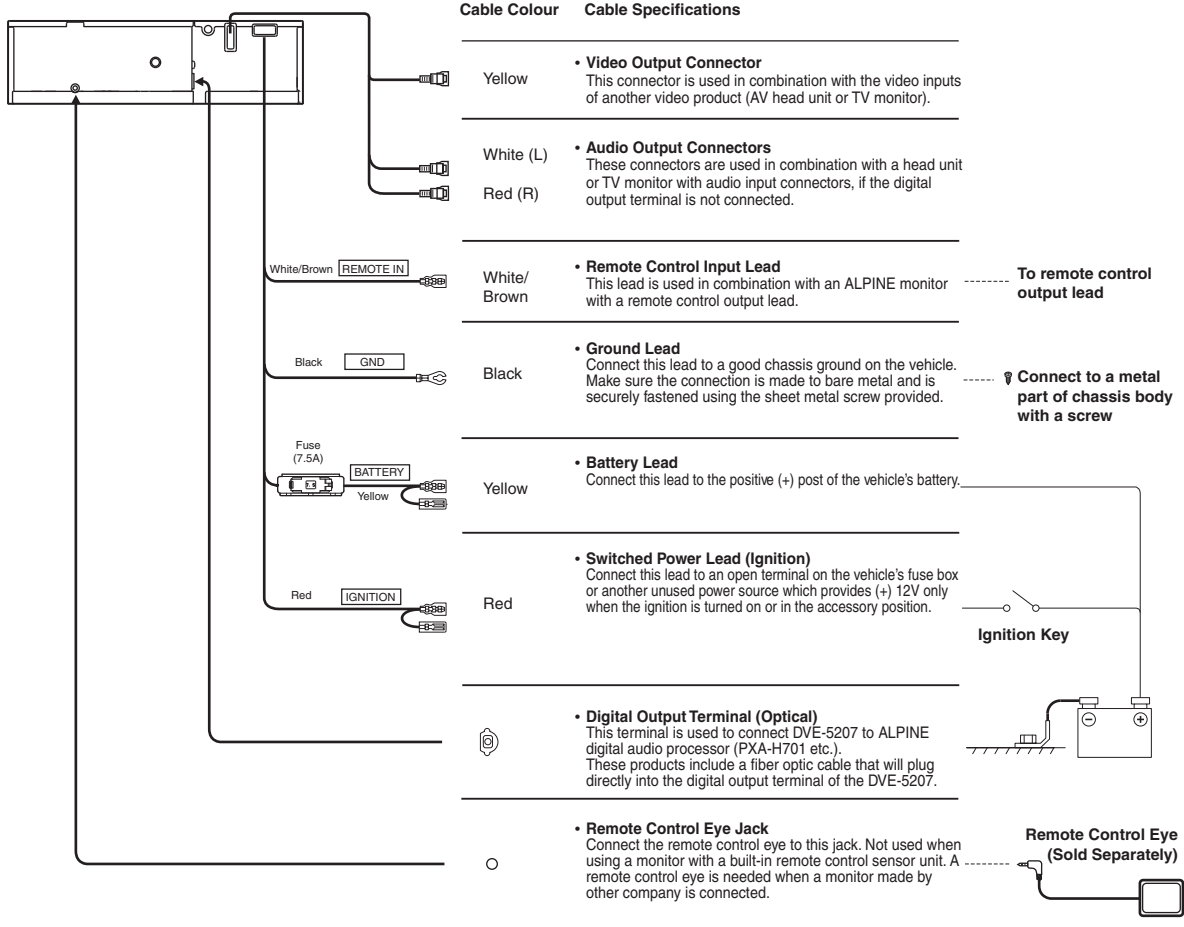
• Also refer to the operating instructions of the other products in the system.

Connecting Another Manufacturer's TV Monitor



- Remote control eye is required.
- Also refer to the operating instructions of the other products in the system.
- When you connecting another manufacturer's TV monitor, the remote control input lead (White/Brown), is not used.

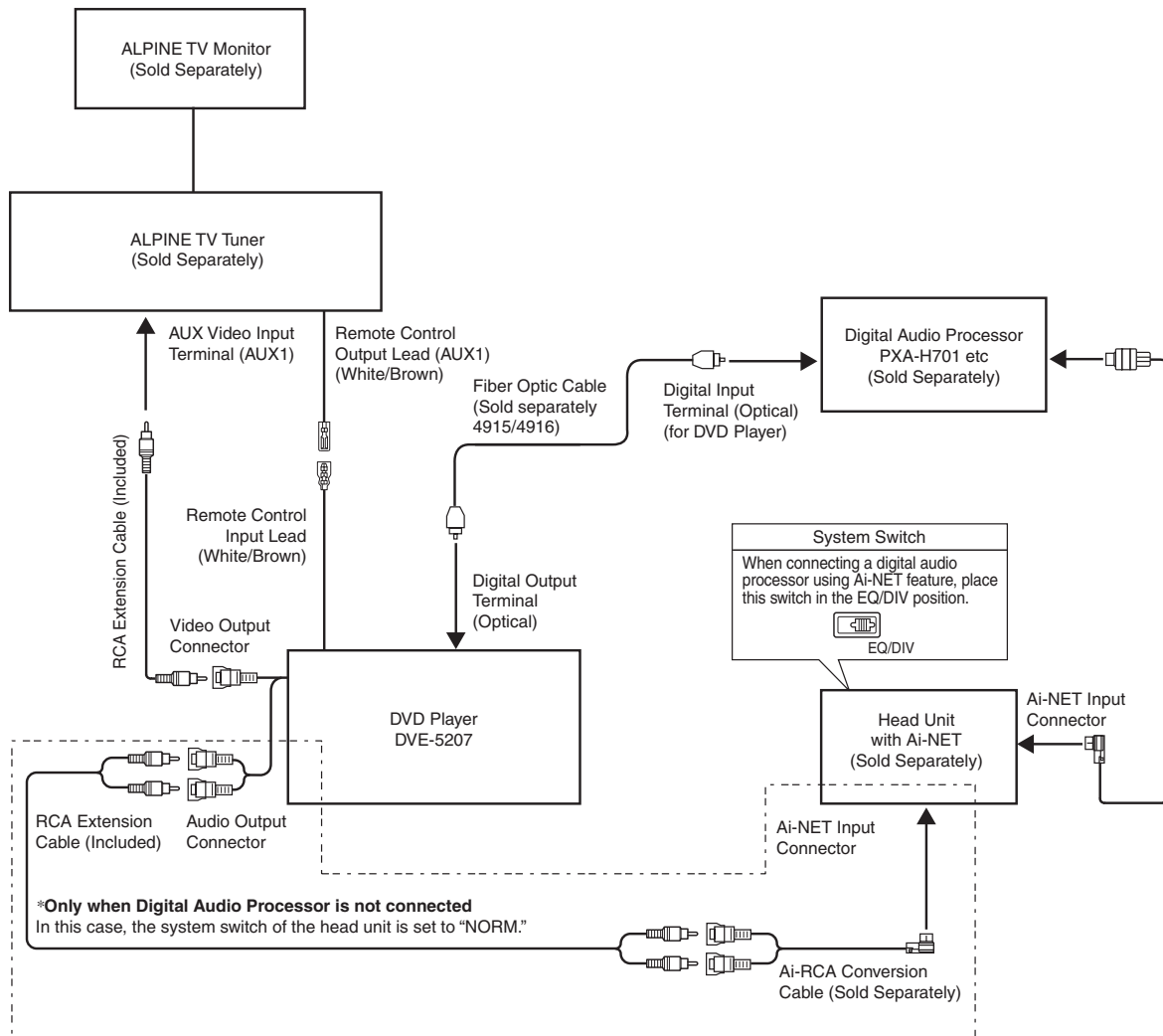
(European Model Only)



- Connect properly.
Never connect to parts other than the ones indicated in these operating instructions.
- Also refer to the operating instructions of the other products in the system.
- A remote control eye is needed when a monitor made by another company is connected.

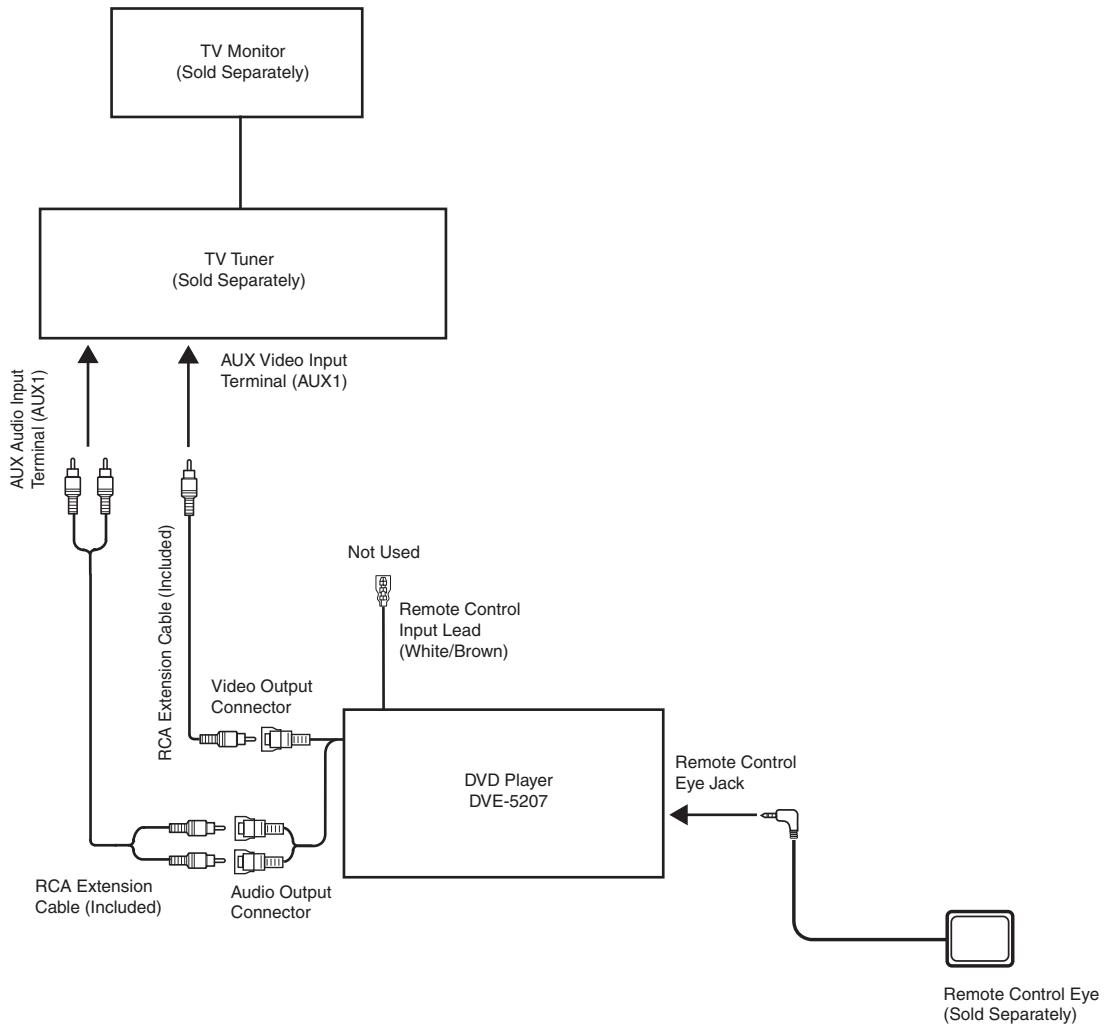
System Example

Connecting an Ai-NET compatible Head Unit, Digital Audio Processor (PXA-H701, PXA-H900, etc.) and ALPINE TV Monitor



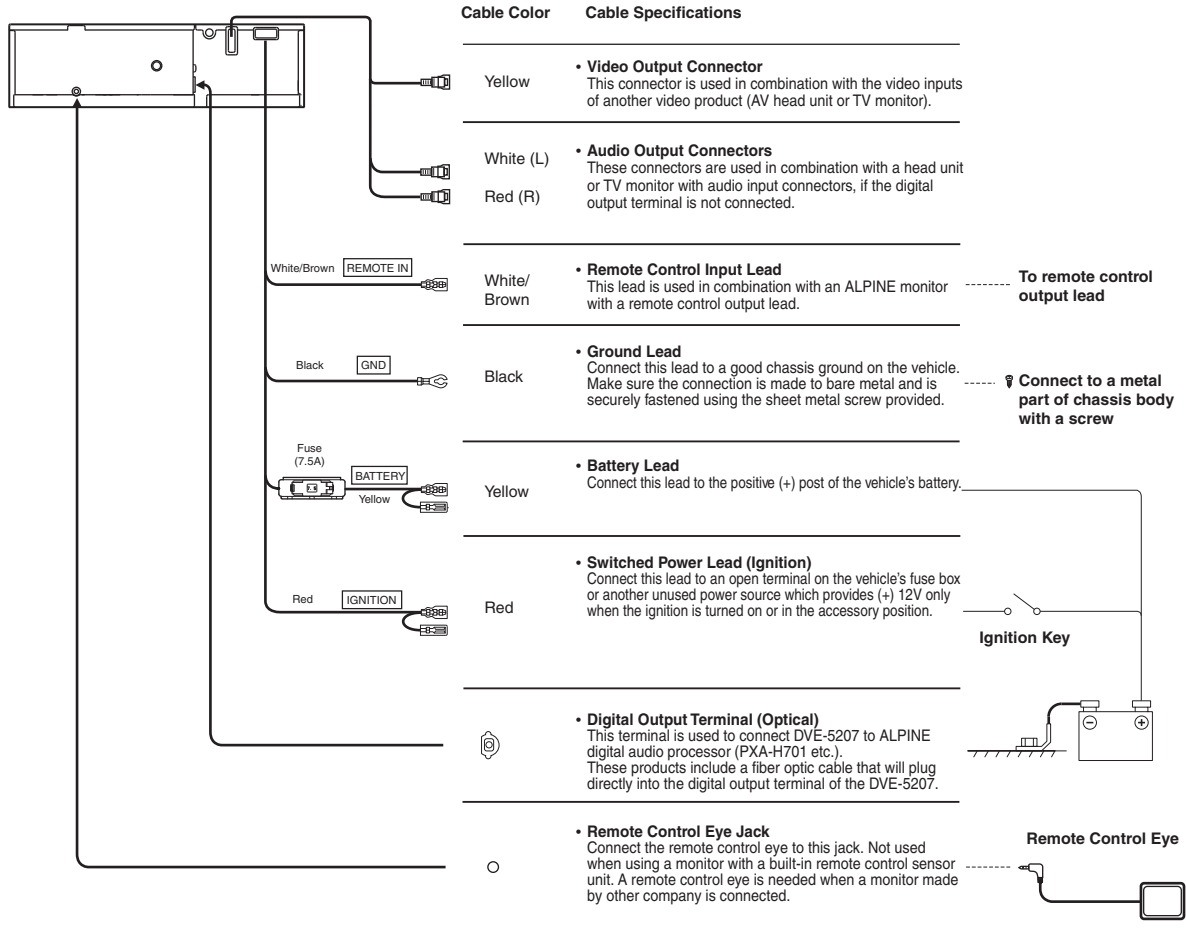
- Also refer to the operating instructions of the other products in the system.

Connecting Another Manufacturer's TV Monitor



- Remote control eye is required.
- Also refer to the operating instructions of the other products in the system.
- When you connecting another manufacturer's TV monitor, the remote control input lead (White/Brown), is not used.

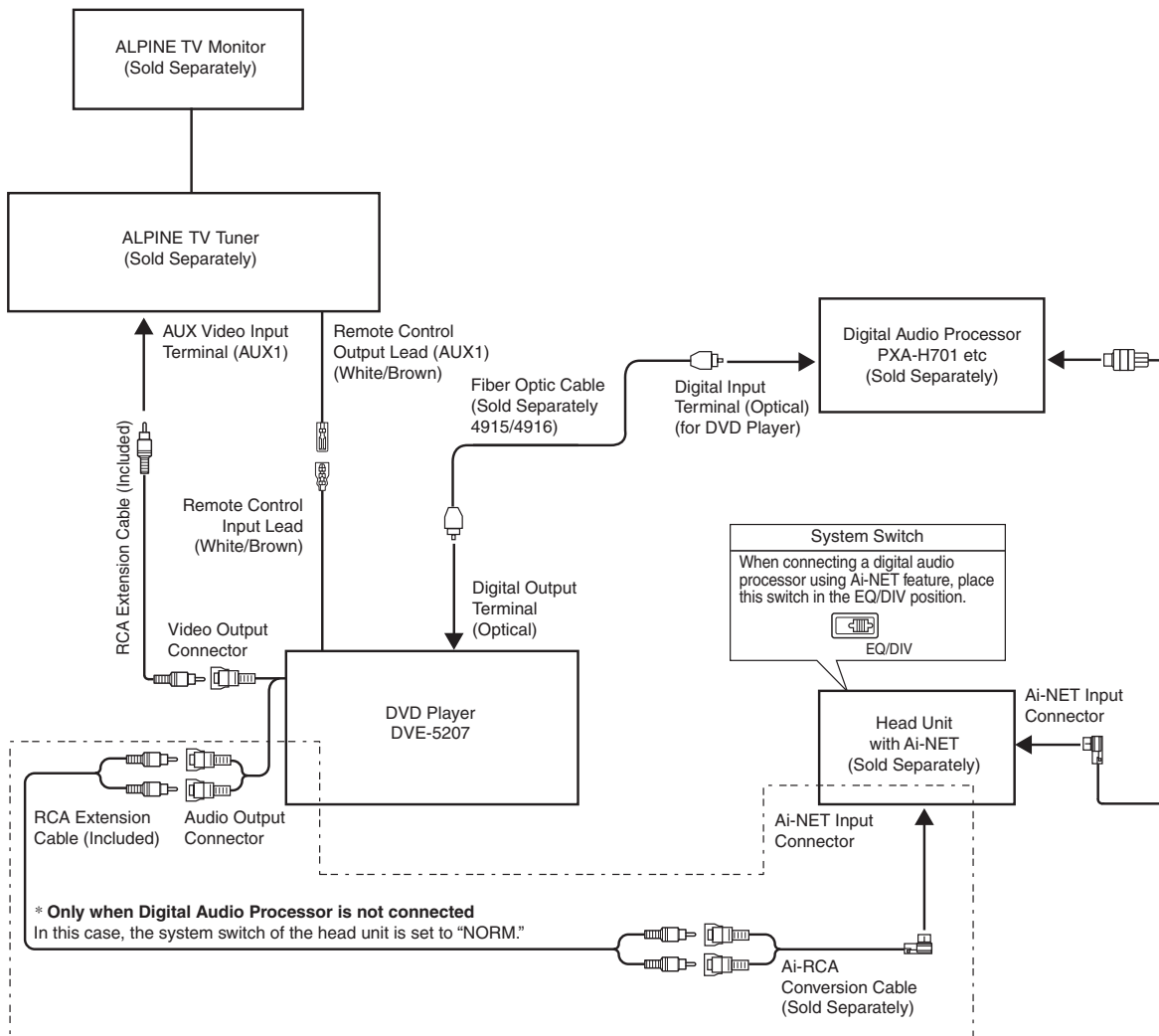
(General Foreign Model Only)



- Connect properly.
Never connect to parts other than the ones indicated in these operating instructions.
- Also refer to the operating instructions of the other products in the system.
- A remote control eye is needed when a monitor made by another company is connected.

System Example

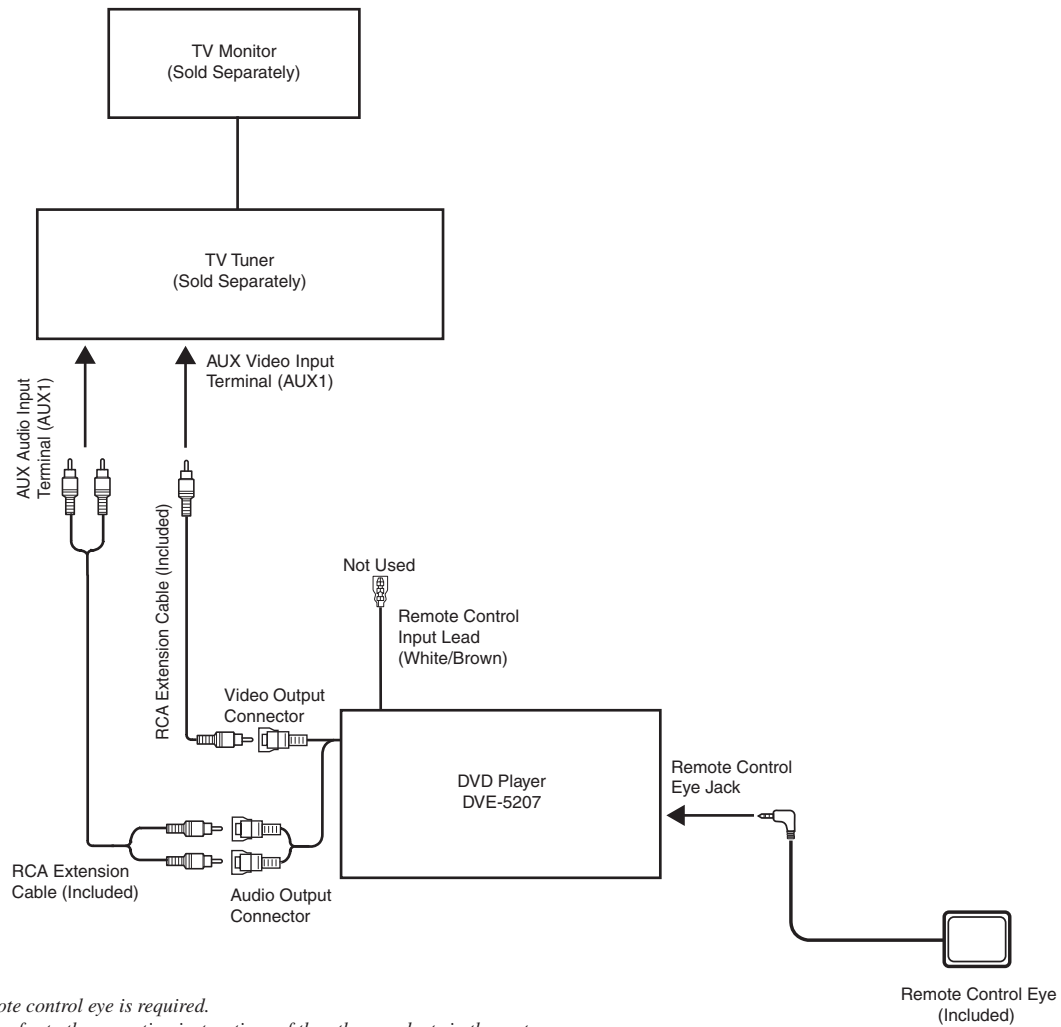
Connecting an Ai-NET compatible Head Unit, Digital Audio Processor (PXA-H701, PXA-H900, etc.) and ALPINE TV Monitor



• Also refer to the operating instructions of the other products in the system.

TO CONTENTS

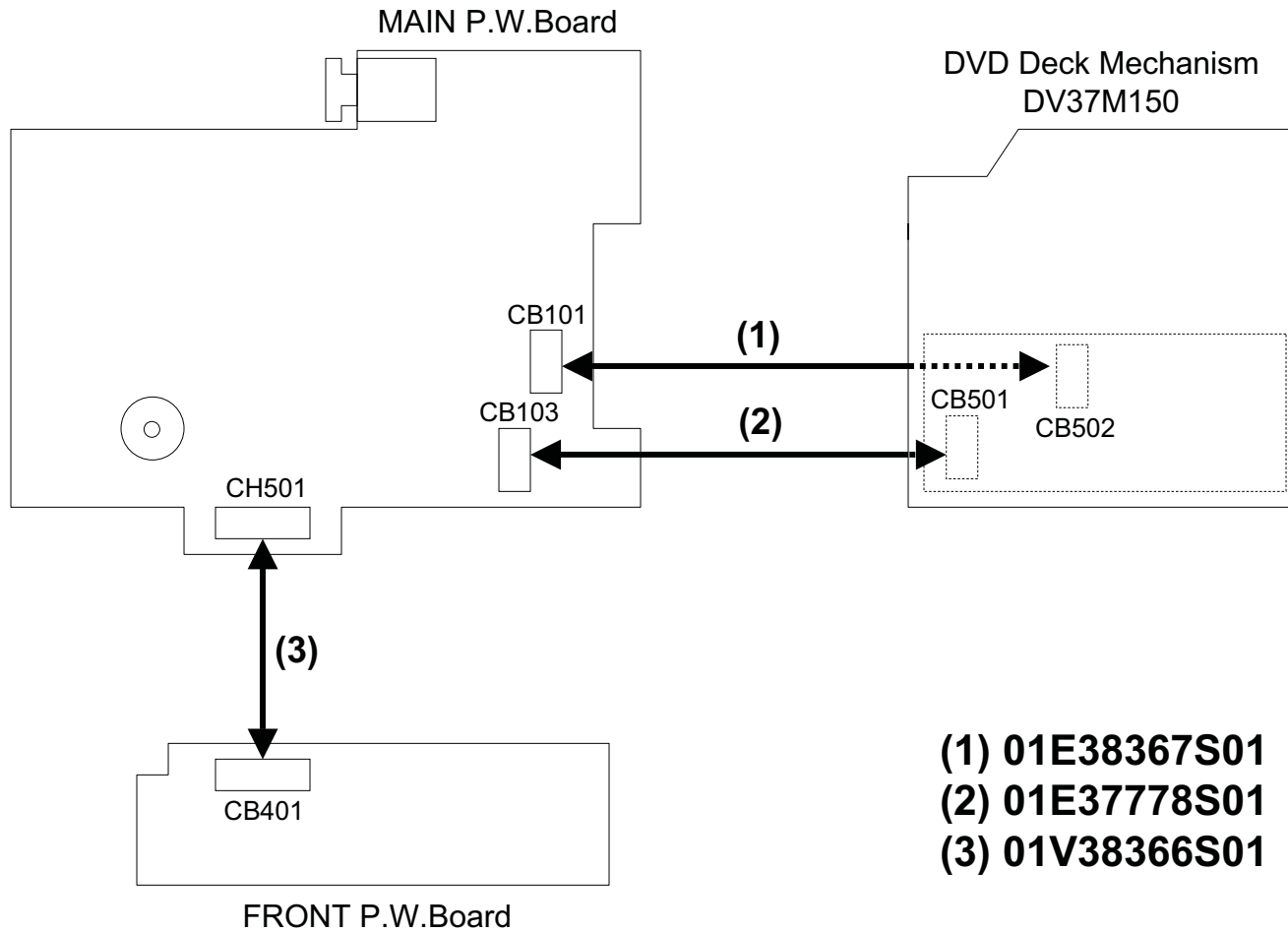
Connecting Another Manufacturer's TV Monitor



- Remote control eye is required.
- Also refer to the operating instructions of the other products in the system.
- When you connecting another manufacturer's TV monitor, the remote control input lead (White/Brown), is not used.

Extension Cable

*Always connect the Extension Cable when making checks of voltage and repair.



Electrical Parts List

* Each parts on P.W.Board are described in order of the reference number.

NOTE : #1 : For North American Model Only,
 \$1 : For European Model Only,
 %1 : For General Foreign / Region3 Model Only,
 &1 : For General Foreign / Region4 Model Only,
 #2 : For Chinese Model Only,
 Others : Common.

IC501(*) : As for the parts of part number of (*) mark, a product does not operate for program un-writing in.
 When you order a microcomputer, please give me order after specifying part number and a product name.

=====MAIN P.W.Board

BZ855	50T15447Y02	BUZZER,PKM13EPY -R5
C101	08S45676W80	CAP,CER 223K-B1E -CP
C102	08S65670Y01	CAP,CER 106KX5R1C-CP
C104	08S65128F61	CAP,CER.222K-B1H -CP
C105	08S65670Y01	CAP,CER 106KX5R1C-CP
C106	08S65128F78	CAP,CER.223K-B1H -CP
C110	08T65463Y01	CAP,CER 335K-B1A -CP
C111	08S45677W48	CAP,CER.331J-CH1H-CP
C112	08S45677W38	CAP,CER 121J-CH1H-CP
C113	08T65463Y01	CAP,CER 335K-B1A -CP
C114	08S45677W48	CAP,CER.331J-CH1H-CP
C115	08S45677W38	CAP,CER 121J-CH1H-CP
C116	08S45677W50	CAP,CER 391J-CH1H-CP
C117	08S45677W34	CAP,CER.82RJ-CH1H-CP
C118	08S45676W80	CAP,CER 223K-B1E -CP
C119	08S65670Y01	CAP,CER 106KX5R1C-CP
C121	08S45676W80	CAP,CER 223K-B1E -CP
C122	08S45677W50	CAP,CER 391J-CH1H-CP
C123	08S45677W34	CAP,CER.82RJ-CH1H-CP
C201	08S45676W65	CAP,CER.222K-B1H -CP
C202	08S45676W80	CAP,CER 223K-B1E -CP
C203	08S45676W85	CAP,CER 104K-B1C -CP
C505	08S35374W11	CAP,CER 475K-B0J -CP
C506	08S45677W14	CAP,CER.12RJ-CH1H-CP
C507	08S45677W16	CAP,CER.15RJ-CH1H-CP
C508	08S45676W80	CAP,CER 223K-B1E -CP
C509	08S65128F90	CAP,CER 473K-B1H -CP
C510	08S35374W01	CAP,CER 104K-B1E-CP
C511	08S45676W80	CAP,CER 223K-B1E -CP
C512	08S45676W85	CAP,CER 104K-B1C -CP
C513	08S45676W80	CAP,CER 223K-B1E -CP
C514	08S45676W80	CAP,CER 223K-B1E -CP
C515	08S45676W80	CAP,CER 223K-B1E -CP
C516	08S45676W80	CAP,CER 223K-B1E -CP
C517	08S45676W80	CAP,CER 223K-B1E -CP
C518	08S45676W80	CAP,CER 223K-B1E -CP

C519	08S45676W85	CAP,CER 104K-B1C -CP
C522	08S45676W85	CAP,CER 104K-B1C -CP
C802	08S65669Y01	CAP,CER 334KX7R1E-CP
C803	08S45676W80	CAP,CER 223K-B1E -CP
C804	08S45677W28	CAP,CER 47RJ-CH1H-CP
C805	08S45677W30	CAP,CER.56RJ-CH1H-CP
C807	08S65669Y01	CAP,CER 334KX7R1E-CP
C808	08S45676W80	CAP,CER 223K-B1E -CP
C809	08S45676W80	CAP,CER 223K-B1E -CP
C811	08S65669Y01	CAP,CER 334KX7R1E-CP
C812	08S45676W80	CAP,CER 223K-B1E -CP
C814	08S65669Y01	CAP,CER 334KX7R1E-CP
C815	08S45677W26	CAP,CER.39RJ-CH1H-CP
C816	08S45677W14	CAP,CER.12RJ-CH1H-CP
C818	08S45676W80	CAP,CER 223K-B1E -CP
C819	08S35374W08	CAP,CER 474K-B1C -CP
C820	08S45676W80	CAP,CER 223K-B1E -CP
C822	08S45676W80	CAP,CER 223K-B1E -CP
C823	08S35374W08	CAP,CER 474K-B1C -CP
C824	08S65669Y01	CAP,CER 334KX7R1E-CP
C825	08S45676W80	CAP,CER 223K-B1E -CP
C826	08S65669Y01	CAP,CER 334KX7R1E-CP
C827	08S45539Y04	CAP,CER 103KX7R2J-CP
C828	08S45539Y02	CAP,CER 222KX7R2J-CP
C829	08S45539Y04	CAP,CER 103KX7R2J-CP
C830	08S65669Y01	CAP,CER 334KX7R1E-CP
C832	08S45676W80	CAP,CER 223K-B1E -CP
C833	08S45676W80	CAP,CER 223K-B1E -CP
C835	08S65669Y01	CAP,CER 334KX7R1E-CP
C861	08S45676W85	CAP,CER 104K-B1C -CP
C862	08S45676W80	CAP,CER 223K-B1E -CP
C863	08S65669Y02	CAP,CER 474KX7R1E-CP
C880	08S45676W85	CAP,CER 104K-B1C -CP
C881	08S45676W80	CAP,CER 223K-B1E -CP
C882	08S45676W85	CAP,CER 104K-B1C -CP
C883	08S45676W80	CAP,CER 223K-B1E -CP
C884	08S65128F61	CAP,CER.222K-B1H -CP
CB101	09T15107Y24	FFC,52435-2491 -ED
CB102	09T25436Y05	WTB,53253-0510 -DB
CB103	09T45442Y45	FFC,54104-4592 -EQ
CB801	09T55228W04	WTB,SC25-04WS -DB
CH501	09T55264Y14	BTB,BTFW14R-3RST -EE
D102	48T25651W02	DIO,MA152WK-TX -CP
D855	48T25665Y01	DIO,1SS355-TE17 -CP
D856	48T25593Y01	DIO,S1G-6904 -E1
E102	23S65134W34	CAP,ELY 47R-1C(6)-E6
E103	23S65134W31	CAP,ELY 10R-1C(4)-E2
E104	23S65134W34	CAP,ELY 47R-1C(6)-E6
E105	23S65134W32	CAP,ELY 22R-1C(5)-E3
E106	23S65134W32	CAP,ELY 22R-1C(5)-E3
E107	23S65134W32	CAP,ELY 22R-1C(5)-E3
E201	23S65134W81	CAP,ELY 22R-1C(4)-E2

E506	23S65134W14	CAP,ELY 221-0J(8)-E6
E507	23S65134W15	CAP,ELY 331-0J(8)-E6
E802	23S65134W24	CAP,ELY 221-1A(8)-E6
E803	23S65134W38	CAP,ELY 471-1C(1)-EA
E804	23S65134W38	CAP,ELY 471-1C(1)-EA
E805	23S65134W14	CAP,ELY 221-0J(8)-E6
E807	23S65134W14	CAP,ELY 221-0J(8)-E6
E808	23S65134W54	CAP,ELY 10R-1V(5)-E3
E810	23S75244Y22	CAP,ELY 471-1C -EA
E811	23S75244Y22	CAP,ELY 471-1C -EA
E812	23S75244Y22	CAP,ELY 471-1C -EA
E813	23S75244Y22	CAP,ELY 471-1C -EA
E814	23S65134W14	CAP,ELY 221-0J(8)-E6
E815	23S65134W23	CAP,ELY 101-1A(6)-E6
E817	23S65134W23	CAP,ELY 101-1A(6)-E6
E818	23T35505W09	CAP,ELY 472-1C +
E819	23S65134W38	CAP,ELY 471-1C(1)-EA
E820	23S65134W36	CAP,ELY 221-1C(8)-EA
E821	23S65134W24	CAP,ELY 221-1A(8)-E6
E856	23S65134W34	CAP,ELY 47R-1C(6)-E6
E857	23S65134W34	CAP,ELY 47R-1C(6)-E6
E858	23S65134W15	CAP,ELY 331-0J(8)-E6
E860	23S75244Y22	CAP,ELY 471-1C -EA
E862	23S65134W35	CAP,ELY 101-1C(8)-E6
IC101	51T55240Y01	PCM1742KE -SE2
IC102	51T25183Y02	TC7SET08FU-EL -CP
IC106	51T25576W07	NJM4580V-TE2 -SE2
IC107	51T25576W07	NJM4580V-TE2 -SE2
IC201	51T25183Y02	TC7SET08FU-EL -CP
IC202	51T45264W02	TOTX193K -NS
IC501(*)	51-02273Z01	MTP,D70F3261YGC -QT
IC502	51T25183Y02	TC7SET08FU-EL -CP
IC503	51T75063Y02	BD5224G-TR -CP
IC504	51T45703Y01	TA48M033F-TE16L -NE5
IC801	51T25259Y03	BA00ASFP-E2 -NE5
IC802	51T25259Y03	BA00ASFP-E2 -NE5
IC803	51-01521Z01	PQ015YZ01ZPH -NE5
IC804	51T65641Y01	PQ070XZ02Z-L -NE5
IC805	51T55333Y01	PQ1CY1032ZP -NE9
IC806	51T55333Y01	PQ1CY1032ZP -NE9
IC807	51T65190Y01	NJM2268V-TE1 -SE2
IC808	51T65641Y01	PQ070XZ02Z-L -NE5
IC809	51T25259Y03	BA00ASFP-E2 -NE5
IC810	51T65641Y01	PQ070XZ02Z-L -NE5
IC855	51T95193W01	TDA3606AT -SE9
L101	24T95456W27	FBI,BLM18PG181SH1-CP
L102	24T95456W27	FBI,BLM18PG181SH1-CP
L801	24T25164Y27	IND,FSLM2520 15RJ-CP
L802	24T25164Y25	IND,FSLM2520 10RJ-CP
L803	24T35246Y12	IND,LEM2520 6R8J -CP
L804	24T25565Y09	IND,SLF12565 68RM-EA
L805	24T25565Y09	IND,SLF12565 68RM-EA

Q101	48T75366Y07	TR,FMC3-T148	-CP
Q102	48T62967F02	TR,DTC114EKA-T146	-CP
Q103	48T75366Y06	TR,FMC2-T148	-CP
Q104	48T25317Y01	TR,XN0F256-TX	-CP
Q506	48T75366Y07	TR,FMC3-T148	-CP
Q802	48T62967F33	TR,DTC343TK-T146	-CP
Q803	48T62967F33	TR,DTC343TK-T146	-CP
Q804	48T75181Y01	TR,IMH11A-T110	-CP
Q805	48T75181Y01	TR,IMH11A-T110	-CP
Q806	48T75205Y01	TR,FMC2A-T148	-CP
Q857	48T62967F02	TR,DTC114EKA-T146	-CP
Q858	48T92368F04	TR,2SD1760 R	-E5
Q859	48T75366Y07	TR,FMC3-T148	-CP
Q860	48T75366Y06	TR,FMC2-T148	-CP
Q861	48T75366Y06	TR,FMC2-T148	-CP
Q862	48T75366Y06	TR,FMC2-T148	-CP
R101	06S55365Y25	RES,RK 22RJ 1/10	-CP
R102	06S55365Y25	RES,RK 22RJ 1/10	-CP
R103	06S55365Y25	RES,RK 22RJ 1/10	-CP
R105	06S55365Y67	RES,RK 122J 1/10	-CP
R106	06S55365Y37	RES,RK 68RJ 1/10	-CP
R107	06S55365Y97	RES,RK 223J 1/10	-CP
R113	06S55365Y83	RES,RK 562J 1/10	-CP
R114	06S55366Y26	RES,RK 334J 1/10	-CP
R115	06S15593Y57	RES,RK 222F 1/10	-CP
R116	06S15593Y73	RES,RK 103F 1/10	-CP
R117	06S55365Y83	RES,RK 562J 1/10	-CP
R118	06S55366Y26	RES,RK 334J 1/10	-CP
R119	06S15593Y57	RES,RK 222F 1/10	-CP
R120	06S15593Y73	RES,RK 103F 1/10	-CP
R121	06S55361Y41	RES,RK 101J 1/4	-CP
R122	06S15593Y83	RES,RK 273F 1/10	-CP
R123	06S15593Y49	RES,RK 102F 1/10	-CP
R128	06S55365Y89	RES,RK 103J 1/10	-CP
R129	06S15593Y83	RES,RK 273F 1/10	-CP
R130	06S15593Y49	RES,RK 102F 1/10	-CP
R138	06S55365Y65	RES,RK 102J 1/10	-CP
R140	06S55366Y10	RES,RK 683J 1/10	-CP
R142	06S55361Y33	RES,RK 47RJ 1/4	-CP
R144	06S55361Y17	RES,RK 10RJ 1/4	-CP
R146	06S55366Y10	RES,RK 683J 1/10	-CP
R147	06S55361Y33	RES,RK 47RJ 1/4	-CP
R148	06S55361Y17	RES,RK 10RJ 1/4	-CP
R150	06S55365Y65	RES,RK 102J 1/10	-CP
R151	06S15593Y73	RES,RK 103F 1/10	-CP
R152	06S15593Y73	RES,RK 103F 1/10	-CP
R153	06S15593Y50	RES,RK 112F 1/10	-CP
R154	06S55365Y73	RES,RK 222J 1/10	-CP
R203	06S55365Y37	RES,RK 68RJ 1/10	-CP
R205	06S55365Y29	RES,RK 33RJ 1/10	-CP
R206	06S55365Y87	RES,RK 822J 1/10	-CP
R506	06S55365Y65	RES,RK 102J 1/10	-CP

R507	06S55365Y65	RES,RK 102J 1/10 -CP	
R508	06S55365Y65	RES,RK 102J 1/10 -CP	
R509	06S15593Y77	RES,RK 153F 1/10 -CP	
R513	06S15593Y77	RES,RK 153F 1/10 -CP	
R514	06S15593Y84	RES,RK 303F 1/10 -CP	
R517	06S55365Y97	RES,RK 223J 1/10 -CP	
R518	06S55365Y97	RES,RK 223J 1/10 -CP	
R519	06S55365Y65	RES,RK 102J 1/10 -CP	
R520	06S55366Y06	RES,RK 473J 1/10 -CP	
R521	06S55365Y97	RES,RK 223J 1/10 -CP	
R522	06S55366Y06	RES,RK 473J 1/10 -CP	
R523	06S55365Y97	RES,RK 223J 1/10 -CP	
R524	06S55365Y97	RES,RK 223J 1/10 -CP	
R525	06S55365Y59	RES,RK 561J 1/10 -CP	
R526	06S15593Y81	RES,RK 223F 1/10 -CP	
R527	06S15593Y63	RES,RK 392F 1/10 -CP	
R528	06S55361Y47	RES,RK 181J 1/4 -CP	
R529	06S55361Y47	RES,RK 181J 1/4 -CP	
R530	06S55361Y81	RES,RK 472J 1/4 -CP	
R531	06S55366Y06	RES,RK 473J 1/10 -CP	
R532	06S55366Y06	RES,RK 473J 1/10 -CP	
R535	06S55366Y39	RES,RK JUMPER1/10-CP	
R537	06S55366Y06	RES,RK 473J 1/10 -CP	
R553	06S55365Y65	RES,RK 102J 1/10 -CP	
R554	06S55365Y65	RES,RK 102J 1/10 -CP	
R555	06S55365Y65	RES,RK 102J 1/10 -CP	
R556	06S55365Y65	RES,RK 102J 1/10 -CP	
R557	06S55365Y65	RES,RK 102J 1/10 -CP	
R558	06S55365Y65	RES,RK 102J 1/10 -CP	
#1	R561	06S55365Y97	RES,RK 223J 1/10-CP
&1	R561	06S55365Y97	RES,RK 223J 1/10-CP
#2	R561	06S55365Y97	RES,RK 223J 1/10-CP
\$1	R562	06S55365Y97	RES,RK 223J 1/10-CP
%1	R562	06S55365Y97	RES,RK 223J 1/10-CP
#1	R563	06S55365Y97	RES,RK 223J 1/10-CP
\$1	R563	06S55365Y97	RES,RK 223J 1/10-CP
&1	R563	06S55365Y97	RES,RK 223J 1/10-CP
#2	R563	06S55365Y97	RES,RK 223J 1/10-CP
%1	R564	06S55365Y97	RES,RK 223J 1/10-CP
#1	R565	06S55365Y97	RES,RK 223J 1/10-CP
\$1	R565	06S55365Y97	RES,RK 223J 1/10-CP
%1	R565	06S55365Y97	RES,RK 223J 1/10-CP
&1	R566	06S55365Y97	RES,RK 223J 1/10-CP
#2	R566	06S55365Y97	RES,RK 223J 1/10-CP
	R567	06S55365Y97	RES,RK 223J 1/10 -CP
	R568	06S55365Y97	RES,RK 223J 1/10 -CP
	R701	06S55361Y51	RES,RK 271J 1/4 -CP
	R801	06S15593Y75	RES,RK 123F 1/10 -CP
	R802	06S15593Y43	RES,RK 561F 1/10 -CP
	R803	06S15593Y61	RES,RK 332F 1/10 -CP
	R804	06S55366Y14	RES,RK 104J 1/10 -CP
	R806	06S55366Y14	RES,RK 104J 1/10 -CP

R809	06S15593Y79	RES,RK 183F 1/10 -CP
R810	06S15593Y63	RES,RK 392F 1/10 -CP
R813	06S55361Y33	RES,RK 47RJ 1/4 -CP
R814	06S15593Y37	RES,RK 331F 1/10 -CP
R815	06S15593Y54	RES,RK 162F 1/10 -CP
R816	06S15593Y53	RES,RK 152F 1/10 -CP
R817	06S55361Y53	RES,RK 331J 1/4 -CP
R818	06S15593Y61	RES,RK 332F 1/10 -CP
R819	06S15593Y42	RES,RK 511F 1/10 -CP
R820	06S55365Y57	RES,RK 471J 1/10 -CP
R821	06S55363Y58	RES,RK 511J 1/8 -CP
R822	06S15594Y22	RES,RK 105F 1/10 -CP
R824	06S55362Y06	RES,RK 473J 1/4 -CP
R826	06S55361Y53	RES,RK 331J 1/4 -CP
R833	06S15593Y79	RES,RK 183F 1/10 -CP
R834	06S15593Y66	RES,RK 512F 1/10 -CP
R835	06S15593Y58	RES,RK 242F 1/10 -CP
R837	06S55361Y53	RES,RK 331J 1/4 -CP
R838	06S55366Y14	RES,RK 104J 1/10 -CP
R840	06S15594Y22	RES,RK 105F 1/10 -CP
R841	06S15593Y63	RES,RK 392F 1/10 -CP
R842	06S15593Y63	RES,RK 392F 1/10 -CP
R843	06S55361Y53	RES,RK 331J 1/4 -CP
R844	06S15593Y21	RES,RK 68RF 1/10 -CP
R848	06S15593Y75	RES,RK 123F 1/10 -CP
R849	06S15593Y53	RES,RK 152F 1/10 -CP
R850	06S55366Y14	RES,RK 104J 1/10 -CP
R851	06S15593Y45	RES,RK 681F 1/10 -CP
R852	06S55361Y53	RES,RK 331J 1/4 -CP
R853	06S15593Y66	RES,RK 512F 1/10 -CP
R854	06S15593Y39	RES,RK 391F 1/10 -CP
R855	06S15593Y52	RES,RK 132F 1/10 -CP
R859	06S15593Y52	RES,RK 132F 1/10 -CP
R860	06S55362Y06	RES,RK 473J 1/4 -CP
R862	06S15593Y31	RES,RK 181F 1/10 -CP
R863	06S15593Y69	RES,RK 682F 1/10 -CP
R864	06S55362Y06	RES,RK 473J 1/4 -CP
R865	06S55361Y89	RES,RK 103J 1/4 -CP
R868	06S55366Y39	RES,RK JUMPER1/10-CP
R869	06S55366Y06	RES,RK 473J 1/10 -CP
R870	06S55361Y51	RES,RK 271J 1/4 -CP
R871	06S55362Y06	RES,RK 473J 1/4 -CP
R873	06S45348Y35	RES,RK 364F 1/4 -CP
R874	06S35083Y50	RES,RK 124F 1/4 -CP
R880	06S55361Y65	RES,RK 102J 1/4 -CP
R881	06S55361Y01	RES,RK 2R2J 1/4 -CP
R887	06S55365Y97	RES,RK 223J 1/10 -CP
R890	06S55361Y57	RES,RK 471J 1/4 -CP
R891	06S55361Y81	RES,RK 472J 1/4 -CP
R892	06S55363Y89	RES,RK 103J 1/8 -CP
RA501	06S45591W06	RES,ARY MNR102J 4-CP
RA502	06S45591W06	RES,ARY MNR102J 4-CP

RA504	06S45591W06	RES,ARY MNR102J 4-CP
RA505	06S45591W06	RES,ARY MNR102J 4-CP
RA508	06S45591W06	RES,ARY MNR102J 4-CP
RA509	06S45591W07	RES,ARY MNR101J 4-CP
SD801	48T45286Y01	DIO,SHT RB050L-40-E1
SD802	48T45286Y01	DIO,SHT RB050L-40-E1
TH501	48T25250Y01	TMT,ERTJ1VV104J -CP
XL501	91T55360Y07	XTL,AT-51 5.000M -R5
Z201	91T75196Y03	EMI,BK1005LL100 -CP
Z501	91T45556Y03	EMI,NFM21HC101U1H-CP
Z502	91T75198W05	EMI,NFE61PT472C1H-E1
Z801	91T75198W05	EMI,NFE61PT472C1H-E1
Z802	91T45556Y03	EMI,NFM21HC101U1H-CP
Z855	91T75198W05	EMI,NFE61PT472C1H-E1
ZD501	48T62934F19	DIO,ZEN.RD5.1MB2 -CP
ZD801	48T25064Y02	DIO,ZEN ZSH5MA27A-ED
ZD856	48T62934F47	DIO,ZEN.RD12MB3 -CP
ZD857	48T62934F26	DIO,ZEN.RD6.2MB3 -CP

=====FRONT P.W.Board

C401	08S45676W80	CAP,CER 223K-B1E -CP
C402	08S45676W80	CAP,CER 223K-B1E -CP
CB401	09T55265Y14	BTB,BTFW14P-3SST -EE
LD401	48T65205Y05	LED,BLU SML311BBT-CP
LD402	48T65205Y05	LED,BLU SML311BBT-CP
LD403	48T65205Y05	LED,BLU SML311BBT-CP
LD404	48T65205Y05	LED,BLU SML311BBT-CP
LD405	48T65205Y05	LED,BLU SML311BBT-CP
Q401	48T62967F05	TR,DTC143XKA-T146-CP
R401	06S55363Y65	RES,RK 102J 1/8 -CP
R402	06S55363Y65	RES,RK 102J 1/8 -CP
R403	06S55363Y57	RES,RK 471J 1/8 -CP
R404	06S70072F47	RES,CP .561-J-1/4-CP
R407	06S70072F47	RES,CP .561-J-1/4-CP
R409	06S70072F50	RES,CP .751-J-1/4-CP
ZD403	48T15541Y44	DIO,ZEN MAZS0430H-CP
ZD406	48T15541Y44	DIO,ZEN MAZS0430H-CP
ZD407	48T15541Y44	DIO,ZEN MAZS0430H-CP
ZD408	48T15541Y44	DIO,ZEN MAZS0430H-CP
ZD409	48T15541Y44	DIO,ZEN MAZS0430H-CP

=====DV-MAIN P.W.Board

C501	08T81833F13	CAP,CER 106K-B1C -CP
C502	08T81833F13	CAP,CER 106K-B1C -CP
C503	08T81833F13	CAP,CER 106K-B1C -CP
C504	08S45232Y05	CAP,CER 102K-B1H -CP
C505	08T81833F13	CAP,CER 106K-B1C -CP
C506	08T81833F13	CAP,CER 106K-B1C -CP
C507	08T81833F13	CAP,CER 106K-B1C -CP
C508	08S45232Y05	CAP,CER 102K-B1H -CP
C509	08S45232Y05	CAP,CER 102K-B1H -CP
C510	08S45232Y05	CAP,CER 102K-B1H -CP

C511	08S45232Y11	CAP,CER 103K-B1C -CP
C512	08S45232Y05	CAP,CER 102K-B1H -CP
C513	08S45232Y05	CAP,CER 102K-B1H -CP
C514	08S45232Y11	CAP,CER 103K-B1C -CP
C516	08S65667Y05	CAP,CER 105KX5R1A-CP
C601	08S45232Y05	CAP,CER 102K-B1H -CP
C602	08S45232Y05	CAP,CER 102K-B1H -CP
C603	08S45232Y05	CAP,CER 102K-B1H -CP
C604	08S45232Y05	CAP,CER 102K-B1H -CP
C605	08S45232Y05	CAP,CER 102K-B1H -CP
C606	08S45232Y05	CAP,CER 102K-B1H -CP
C607	08S45232Y05	CAP,CER 102K-B1H -CP
C608	08S45232Y05	CAP,CER 102K-B1H -CP
C609	08S45232Y05	CAP,CER 102K-B1H -CP
C610	08S45232Y05	CAP,CER 102K-B1H -CP
C611	08S45232Y05	CAP,CER 102K-B1H -CP
C612	08S45232Y05	CAP,CER 102K-B1H -CP
C613	08S45232Y05	CAP,CER 102K-B1H -CP
C614	08S45676W87	CAP,CER 333K-B1E -CP
C615	08S45232Y17	CAP,CER 104K-B0J -CP
C616	08S45232Y17	CAP,CER 104K-B0J -CP
C617	08S45232Y17	CAP,CER 104K-B0J -CP
C618	08S45676W70	CAP,CER 562K-B1H -CP
C619	08S45676W79	CAP,CER 183K-B1E -CP
C620	08S45232Y17	CAP,CER 104K-B0J -CP
C621	08S45232Y17	CAP,CER 104K-B0J -CP
C622	08S45232Y17	CAP,CER 104K-B0J -CP
C623	08S45232Y17	CAP,CER 104K-B0J -CP
C624	08S45232Y05	CAP,CER 102K-B1H -CP
C625	08S45232Y17	CAP,CER 104K-B0J -CP
C626	08S45232Y17	CAP,CER 104K-B0J -CP
C627	08S45232Y17	CAP,CER 104K-B0J -CP
C631	08S35374W12	CAP,CER 106K-B0J -CP
C632	08S45232Y05	CAP,CER 102K-B1H -CP
C633	08S45232Y05	CAP,CER 102K-B1H -CP
C634	08S45232Y05	CAP,CER 102K-B1H -CP
C635	08S45232Y05	CAP,CER 102K-B1H -CP
C636	08S45232Y05	CAP,CER 102K-B1H -CP
C637	08S45232Y05	CAP,CER 102K-B1H -CP
C638	08S45232Y05	CAP,CER 102K-B1H -CP
C639	08S45232Y05	CAP,CER 102K-B1H -CP
C640	08S45232Y05	CAP,CER 102K-B1H -CP
C641	08S45232Y05	CAP,CER 102K-B1H -CP
C642	08S45232Y05	CAP,CER 102K-B1H -CP
C643	08S45232Y05	CAP,CER 102K-B1H -CP
C644	08S45232Y05	CAP,CER 102K-B1H -CP
C645	08S45232Y05	CAP,CER 102K-B1H -CP
C646	08S45232Y05	CAP,CER 102K-B1H -CP
C647	08S45232Y05	CAP,CER 102K-B1H -CP
C648	08S45232Y05	CAP,CER 102K-B1H -CP
C651	08S65670Y01	CAP,CER 106KX5R1C-CP
C652	08S65670Y01	CAP,CER 106KX5R1C-CP

C653	08S45232Y05	CAP,CER 102K-B1H -CP
C654	08S45232Y05	CAP,CER 102K-B1H -CP
C655	08S45232Y17	CAP,CER 104K-B0J -CP
C658	08S35374W12	CAP,CER 106K-B0J -CP
C671	08S45232Y11	CAP,CER 103K-B1C -CP
C672	08S45232Y17	CAP,CER 104K-B0J -CP
C673	08S45232Y17	CAP,CER 104K-B0J -CP
C674	08S45232Y17	CAP,CER 104K-B0J -CP
C675	08S45232Y17	CAP,CER 104K-B0J -CP
C676	08S45232Y17	CAP,CER 104K-B0J -CP
C677	08S45232Y17	CAP,CER 104K-B0J -CP
C678	08S45232Y17	CAP,CER 104K-B0J -CP
C679	08S45232Y17	CAP,CER 104K-B0J -CP
C680	08S35349Y16	CAP,CER 105K-B1A -CP
C681	08S35349Y16	CAP,CER 105K-B1A -CP
C682	08S45232Y17	CAP,CER 104K-B0J -CP
C683	08S45232Y17	CAP,CER 104K-B0J -CP
C684	08S45232Y17	CAP,CER 104K-B0J -CP
C685	08S45232Y17	CAP,CER 104K-B0J -CP
C688	08S45232Y07	CAP,CER 222K-B1H -CP
C689	08S45232Y07	CAP,CER 222K-B1H -CP
C690	08S45232Y11	CAP,CER 103K-B1C -CP
C691	08S45231Y23	CAP,CER 68RJ-CH1H-CP
C701	08S65670Y01	CAP,CER 106KX5R1C-CP
C702	08S65670Y01	CAP,CER 106KX5R1C-CP
C711	08S45232Y05	CAP,CER 102K-B1H -CP
C712	08S45232Y05	CAP,CER 102K-B1H -CP
C713	08S45232Y05	CAP,CER 102K-B1H -CP
C721	08S45232Y05	CAP,CER 102K-B1H -CP
C725	08S45232Y05	CAP,CER 102K-B1H -CP
C731	08S45232Y17	CAP,CER 104K-B0J -CP
C732	08S45232Y05	CAP,CER 102K-B1H -CP
C733	08S45232Y05	CAP,CER 102K-B1H -CP
C734	08S45232Y17	CAP,CER 104K-B0J -CP
C735	08S45232Y17	CAP,CER 104K-B0J -CP
C736	08S45232Y05	CAP,CER 102K-B1H -CP
C737	08S45232Y05	CAP,CER 102K-B1H -CP
C738	08S45232Y17	CAP,CER 104K-B0J -CP
C739	08S45232Y05	CAP,CER 102K-B1H -CP
C740	08S45232Y05	CAP,CER 102K-B1H -CP
C741	08S45232Y05	CAP,CER 102K-B1H -CP
C742	08S45232Y05	CAP,CER 102K-B1H -CP
C801	08T65555Y01	CAP,CER 226K-BJ0J-CP
C802	08T65555Y01	CAP,CER 226K-BJ0J-CP
C803	08S35349Y12	CAP,CER 105K-B0J -CP
C804	08S45676W80	CAP,CER 223K-B1E -CP
C811	08T65555Y01	CAP,CER 226K-BJ0J-CP
C812	08T65555Y01	CAP,CER 226K-BJ0J-CP
C813	08S35349Y12	CAP,CER 105K-B0J -CP
C814	08S45676W80	CAP,CER 223K-B1E -CP
C821	08S45232Y13	CAP,CER 223K-B1C -CP
C831	08S45232Y13	CAP,CER 223K-B1C -CP

C841	08S45232Y17	CAP,CER 104K-B0J -CP
C842	08T65555Y01	CAP,CER 226K-BJ0J-CP
C843	08S45232Y17	CAP,CER 104K-B0J -CP
C844	08T65555Y01	CAP,CER 226K-BJ0J-CP
C845	08S45232Y17	CAP,CER 104K-B0J -CP
C846	08S45232Y17	CAP,CER 104K-B0J -CP
C850	08S45232Y08	CAP,CER 332K-B1H -CP
C851	08S45232Y08	CAP,CER 332K-B1H -CP
C854	08S45232Y11	CAP,CER 103K-B1C -CP
C855	08S45232Y08	CAP,CER 332K-B1H -CP
C860	08T81833F13	CAP,CER 106K-B1C -CP
C861	08S45232Y17	CAP,CER 104K-B0J -CP
C862	08T81833F13	CAP,CER 106K-B1C -CP
C865	08S65668Y04	CAP,CER 104KX5R1A-CP
C866	08T81833F13	CAP,CER 106K-B1C -CP
C867	08T81833F13	CAP,CER 106K-B1C -CP
C868	08S35374W10	CAP,CER 225K-B1A -CP
C869	08S35374W10	CAP,CER 225K-B1A -CP
C870	08S65668Y04	CAP,CER 104KX5R1A-CP
C871	08S45232Y11	CAP,CER 103K-B1C -CP
C872	08S45232Y17	CAP,CER 104K-B0J -CP
C874	08S45232Y17	CAP,CER 104K-B0J -CP
C875	08S45232Y17	CAP,CER 104K-B0J -CP
C876	08S45232Y11	CAP,CER 103K-B1C -CP
C878	08S45232Y08	CAP,CER 332K-B1H -CP
C880	08T81833F13	CAP,CER 106K-B1C -CP
C881	08S45231Y25	CAP,CER 101J-CH1H-CP
C882	08S45677W40	CAP,CER.151J-CH1H-CP
C883	08S45677W40	CAP,CER.151J-CH1H-CP
C884	08S45231Y25	CAP,CER 101J-CH1H-CP
C885	08S45677W40	CAP,CER.151J-CH1H-CP
C886	08S45677W40	CAP,CER.151J-CH1H-CP
C901	08S65667Y05	CAP,CER 105KX5R1A-CP
C902	08S45232Y05	CAP,CER 102K-B1H -CP
C903	08S65667Y05	CAP,CER 105KX5R1A-CP
C904	08S45232Y17	CAP,CER 104K-B0J -CP
C908	08S45232Y05	CAP,CER 102K-B1H -CP
C909	08T81833F12	CAP,CER 106K-B1A -CP
C913	08S45232Y05	CAP,CER 102K-B1H -CP
C914	08S35349Y16	CAP,CER 105K-B1A -CP
C923	08S45232Y05	CAP,CER 102K-B1H -CP
C924	08S35349Y16	CAP,CER 105K-B1A -CP
C925	08S35374W12	CAP,CER 106K-B0J -CP
C926	08S65667Y05	CAP,CER 105KX5R1A-CP
CB501	09T45442Y45	FFC,54104-4592 -EQ
CB502	09T15107Y24	FFC,52435-2491 -ED
CB504	09T15107Y10	FFC,52745-1090 -E9
CB801	09T15107Y28	FFC,52435-2891 -ED
CB861	09T15107Y24	FFC,52435-2491 -ED
D601	48T25665Y01	DIO,1SS355-TE17 -CP
IC511	51T15185Y01	TC7SH08FU-TE85L -CP
IC512	51T35123Y01	TC7W14FK-TE85L -CP

IC601	51-00740Z02	MN35207UB	-QT
IC711	51T75359Y01	TC74VHC573FT-EL	-SE5
IC712	51T75359Y01	TC74VHC573FT-EL	-SE5
IC713	51T15185Y01	TC7SH08FU-TE85L	-CP
IC721	53-04487Z08	OFL,V1.0012DV37M050	
IC725	51-00726Z01	MB85R256PFTN	-ST
IC731	51-04096Z01	EDS6432AFTA-75TI	-ST
IC861	51T55021Y02	BD7905BFS-E2	-SEE
L501	24T65689Y01	FBI,FBMJ2125HS420-CP	
L502	24T65689Y01	FBI,FBMJ2125HS420-CP	
L503	24T65689Y01	FBI,FBMJ2125HS420-CP	
L601	24T95456W27	FBI,BLM18PG181SH1-CP	
L604	24T95456W27	FBI,BLM18PG181SH1-CP	
L605	24T95456W27	FBI,BLM18PG181SH1-CP	
L841	24T25164Y25	IND,FSLM2520 10RJ-CP	
L901	24T95456W27	FBI,BLM18PG181SH1-CP	
L911	24T95456W12	FBI,BLM18AG102SH1-CP	
L912	24T65331Y07	IND,LEMF2520 10RK-CP	
L921	24T95456W12	FBI,BLM18AG102SH1-CP	
L922	24T65331Y07	IND,LEMF2520 10RK-CP	
Q801	48T75011W01	TR,2SD1782K-PQR-6-CP	
Q802	48T55462Y01	TR,2SB1132-QR-100-E2	
Q810	48T75366Y06	TR,FMC2-T148	-CP
Q811	48T75011W01	TR,2SD1782K-PQR-6-CP	
Q812	48T55462Y01	TR,2SB1132-QR-100-E2	
Q831	48T25137Y02	TR,UN9212J-TX	-CP
Q832	48T25137Y06	TR,UN9216J-TX	-CP
Q833	48T25137Y06	TR,UN9216J-TX	-CP
Q911	48T63420F03	TR,2SA1037AK-R146-CP	
Q921	48T63420F03	TR,2SA1037AK-R146-CP	
R501	06S15615Y81	RES,RK 223J 1/16	-CP
R502	06S15615Y81	RES,RK 223J 1/16	-CP
R503	06S15615Y81	RES,RK 223J 1/16	-CP
R504	06S15615Y81	RES,RK 223J 1/16	-CP
R505	06S15615Y81	RES,RK 223J 1/16	-CP
R506	06S15615Y81	RES,RK 223J 1/16	-CP
R507	06S15615Y81	RES,RK 223J 1/16	-CP
R511	06S15615Y81	RES,RK 223J 1/16	-CP
R512	06S15615Y81	RES,RK 223J 1/16	-CP
R513	06S15615Y81	RES,RK 223J 1/16	-CP
R514	06S15615Y81	RES,RK 223J 1/16	-CP
R516	06S15615Y81	RES,RK 223J 1/16	-CP
R517	06S15615Y81	RES,RK 223J 1/16	-CP
R518	06S15615Y25	RES,RK 101J 1/16	-CP
R519	06S15615Y25	RES,RK 101J 1/16	-CP
R520	06S15615Y25	RES,RK 101J 1/16	-CP
R521	06S15615Y25	RES,RK 101J 1/16	-CP
R551	06S15615Y49	RES,RK 102J 1/16	-CP
R552	06S15615Y81	RES,RK 223J 1/16	-CP
R553	06S15615Y49	RES,RK 102J 1/16	-CP
R554	06S15615Y25	RES,RK 101J 1/16	-CP
R555	06S15615Y13	RES,RK 33RJ 1/16	-CP

R556	06S15615Y13	RES,RK 33RJ 1/16 -CP
R557	06S15615Y13	RES,RK 33RJ 1/16 -CP
R558	06S15615Y13	RES,RK 33RJ 1/16 -CP
R559	06S15615Y13	RES,RK 33RJ 1/16 -CP
R560	06S15615Y13	RES,RK 33RJ 1/16 -CP
R561	06S15615Y13	RES,RK 33RJ 1/16 -CP
R562	06S15615Y13	RES,RK 33RJ 1/16 -CP
R563	06S15615Y13	RES,RK 33RJ 1/16 -CP
R564	06S15615Y13	RES,RK 33RJ 1/16 -CP
R565	06S15615Y13	RES,RK 33RJ 1/16 -CP
R566	06S15615Y13	RES,RK 33RJ 1/16 -CP
R567	06S15615Y13	RES,RK 33RJ 1/16 -CP
R568	06S15615Y25	RES,RK 101J 1/16 -CP
R569	06S15615Y17	RES,RK 47RJ 1/16 -CP
R570	06S15615Y17	RES,RK 47RJ 1/16 -CP
R571	06S15615Y17	RES,RK 47RJ 1/16 -CP
R572	06S15615Y17	RES,RK 47RJ 1/16 -CP
R573	06S15615Y17	RES,RK 47RJ 1/16 -CP
R574	06S15615Y17	RES,RK 47RJ 1/16 -CP
R575	06S15615Y17	RES,RK 47RJ 1/16 -CP
R576	06S15615Y25	RES,RK 101J 1/16 -CP
R601	06S15615Y81	RES,RK 223J 1/16 -CP
R602	06S15615Y91	RES,RK 563J 1/16 -CP
R603	06S15615Y29	RES,RK 151J 1/16 -CP
R604	06S15615Y81	RES,RK 223J 1/16 -CP
R611	06S15615Y81	RES,RK 223J 1/16 -CP
R612	06S15616Y23	RES,RK JUMPER1/16-CP
R613	06S15615Y65	RES,RK 472J 1/16 -CP
R614	06S15615Y81	RES,RK 223J 1/16 -CP
R617	06S15593Y53	RES,RK 152F 1/10 -CP
R618	06S15593Y97	RES,RK 104F 1/10 -CP
R619	06S15593Y59	RES,RK 272F 1/10 -CP
R620	06S15594Y02	RES,RK 154F 1/10 -CP
R625	06S15615Y81	RES,RK 223J 1/16 -CP
R626	06S15616Y23	RES,RK JUMPER1/16-CP
R627	06S15615Y13	RES,RK 33RJ 1/16 -CP
R628	06S15615Y13	RES,RK 33RJ 1/16 -CP
R629	06S15615Y13	RES,RK 33RJ 1/16 -CP
R630	06S15615Y81	RES,RK 223J 1/16 -CP
R634	06S15615Y81	RES,RK 223J 1/16 -CP
R635	06S15615Y81	RES,RK 223J 1/16 -CP
R636	06S15615Y81	RES,RK 223J 1/16 -CP
R637	06S15615Y81	RES,RK 223J 1/16 -CP
R638	06S15615Y81	RES,RK 223J 1/16 -CP
R639	06S15615Y81	RES,RK 223J 1/16 -CP
R641	06S15615Y21	RES,RK 68RJ 1/16 -CP
R642	06S15615Y25	RES,RK 101J 1/16 -CP
R643	06S15615Y21	RES,RK 68RJ 1/16 -CP
R644	06S15615Y25	RES,RK 101J 1/16 -CP
R645	06S15615Y21	RES,RK 68RJ 1/16 -CP
R646	06S15615Y25	RES,RK 101J 1/16 -CP
R647	06S15615Y21	RES,RK 68RJ 1/16 -CP

R648	06S15615Y25	RES,RK 101J 1/16 -CP
R649	06S15615Y21	RES,RK 68RJ 1/16 -CP
R650	06S15615Y25	RES,RK 101J 1/16 -CP
R651	06S15615Y21	RES,RK 68RJ 1/16 -CP
R652	06S15615Y25	RES,RK 101J 1/16 -CP
R653	06S15615Y21	RES,RK 68RJ 1/16 -CP
R654	06S15615Y25	RES,RK 101J 1/16 -CP
R655	06S15615Y21	RES,RK 68RJ 1/16 -CP
R656	06S15615Y25	RES,RK 101J 1/16 -CP
R657	06S15615Y21	RES,RK 68RJ 1/16 -CP
R658	06S15615Y21	RES,RK 68RJ 1/16 -CP
R659	06S15615Y21	RES,RK 68RJ 1/16 -CP
R660	06S15615Y21	RES,RK 68RJ 1/16 -CP
R661	06S15615Y21	RES,RK 68RJ 1/16 -CP
R662	06S15615Y21	RES,RK 68RJ 1/16 -CP
R663	06S15615Y21	RES,RK 68RJ 1/16 -CP
R664	06S15615Y21	RES,RK 68RJ 1/16 -CP
R665	06S15615Y21	RES,RK 68RJ 1/16 -CP
R666	06S15615Y21	RES,RK 68RJ 1/16 -CP
R667	06S15615Y21	RES,RK 68RJ 1/16 -CP
R668	06S15615Y21	RES,RK 68RJ 1/16 -CP
R669	06S15615Y21	RES,RK 68RJ 1/16 -CP
R670	06S15615Y21	RES,RK 68RJ 1/16 -CP
R671	06S15615Y21	RES,RK 68RJ 1/16 -CP
R672	06S15615Y21	RES,RK 68RJ 1/16 -CP
R673	06S15615Y21	RES,RK 68RJ 1/16 -CP
R674	06S15615Y01	RES,RK 10RJ 1/16 -CP
R675	06S15615Y09	RES,RK 22RJ 1/16 -CP
R676	06S15615Y21	RES,RK 68RJ 1/16 -CP
R677	06S15615Y21	RES,RK 68RJ 1/16 -CP
R678	06S15615Y21	RES,RK 68RJ 1/16 -CP
R679	06S15615Y21	RES,RK 68RJ 1/16 -CP
R680	06S15615Y21	RES,RK 68RJ 1/16 -CP
R681	06S15615Y25	RES,RK 101J 1/16 -CP
R682	06S15615Y21	RES,RK 68RJ 1/16 -CP
R683	06S15615Y25	RES,RK 101J 1/16 -CP
R684	06S15615Y25	RES,RK 101J 1/16 -CP
R685	06S15615Y25	RES,RK 101J 1/16 -CP
R686	06S15615Y25	RES,RK 101J 1/16 -CP
R687	06S15615Y25	RES,RK 101J 1/16 -CP
R688	06S15615Y25	RES,RK 101J 1/16 -CP
R689	06S15615Y25	RES,RK 101J 1/16 -CP
R690	06S15615Y25	RES,RK 101J 1/16 -CP
R691	06S15615Y25	RES,RK 101J 1/16 -CP
R692	06S15615Y25	RES,RK 101J 1/16 -CP
R693	06S15615Y25	RES,RK 101J 1/16 -CP
R694	06S15615Y25	RES,RK 101J 1/16 -CP
R695	06S15615Y25	RES,RK 101J 1/16 -CP
R696	06S15615Y25	RES,RK 101J 1/16 -CP
R697	06S15615Y81	RES,RK 223J 1/16 -CP
R698	06S15615Y81	RES,RK 223J 1/16 -CP
R699	06S45675W43	RES,RK JUMPER1/10-CP

R701	06S15616Y23	RES,RK JUMPER1/16-CP
R702	06S15616Y23	RES,RK JUMPER1/16-CP
R703	06S15615Y17	RES,RK 47RJ 1/16 -CP
R704	06S15616Y23	RES,RK JUMPER1/16-CP
R705	06S15616Y23	RES,RK JUMPER1/16-CP
R706	06S15615Y81	RES,RK 223J 1/16 -CP
R707	06S15615Y81	RES,RK 223J 1/16 -CP
R708	06S15615Y81	RES,RK 223J 1/16 -CP
R711	06S15616Y23	RES,RK JUMPER1/16-CP
R712	06S15615Y81	RES,RK 223J 1/16 -CP
R721	06S15615Y81	RES,RK 223J 1/16 -CP
R732	06S15615Y81	RES,RK 223J 1/16 -CP
R751	06S15615Y17	RES,RK 47RJ 1/16 -CP
R752	06S15615Y17	RES,RK 47RJ 1/16 -CP
R753	06S15615Y17	RES,RK 47RJ 1/16 -CP
R754	06S15615Y17	RES,RK 47RJ 1/16 -CP
R755	06S15615Y17	RES,RK 47RJ 1/16 -CP
R756	06S15615Y17	RES,RK 47RJ 1/16 -CP
R757	06S15615Y17	RES,RK 47RJ 1/16 -CP
R758	06S15615Y17	RES,RK 47RJ 1/16 -CP
R759	06S15615Y17	RES,RK 47RJ 1/16 -CP
R760	06S15615Y17	RES,RK 47RJ 1/16 -CP
R761	06S15615Y17	RES,RK 47RJ 1/16 -CP
R762	06S15615Y17	RES,RK 47RJ 1/16 -CP
R763	06S15615Y17	RES,RK 47RJ 1/16 -CP
R764	06S15615Y17	RES,RK 47RJ 1/16 -CP
R765	06S15615Y17	RES,RK 47RJ 1/16 -CP
R767	06S15615Y17	RES,RK 47RJ 1/16 -CP
R771	06S15615Y81	RES,RK 223J 1/16 -CP
R772	06S15615Y81	RES,RK 223J 1/16 -CP
R773	06S15615Y81	RES,RK 223J 1/16 -CP
R774	06S15615Y81	RES,RK 223J 1/16 -CP
R775	06S15615Y81	RES,RK 223J 1/16 -CP
R776	06S15615Y81	RES,RK 223J 1/16 -CP
R777	06S15615Y81	RES,RK 223J 1/16 -CP
R778	06S15615Y81	RES,RK 223J 1/16 -CP
R779	06S15615Y81	RES,RK 223J 1/16 -CP
R780	06S15615Y81	RES,RK 223J 1/16 -CP
R781	06S15615Y81	RES,RK 223J 1/16 -CP
R782	06S15615Y81	RES,RK 223J 1/16 -CP
R783	06S15615Y81	RES,RK 223J 1/16 -CP
R784	06S15615Y81	RES,RK 223J 1/16 -CP
R785	06S15615Y81	RES,RK 223J 1/16 -CP
R786	06S15615Y81	RES,RK 223J 1/16 -CP
R801	06S15615Y41	RES,RK 471J 1/16 -CP
R802	06S15615Y41	RES,RK 471J 1/16 -CP
R803	06S15615Y09	RES,RK 22RJ 1/16 -CP
R804	06S45675W43	RES,RK JUMPER1/10-CP
R805	06S65522Y17	RES,RK 2R2F 1/4 -CP
R806	06S45675W06	RES,RK 104J 1/10 -CP
R811	06S15615Y41	RES,RK 471J 1/16 -CP
R812	06S15615Y41	RES,RK 471J 1/16 -CP

R813	06S15615Y09	RES,RK 22RJ 1/16 -CP
R814	06S45675W43	RES,RK JUMPER1/10-CP
R815	06S65522Y17	RES,RK 2R2F 1/4 -CP
R816	06S45675W06	RES,RK 104J 1/10 -CP
R821	06S35083Y01	RES,RK 10RF 1/4 -CP
R822	06S35083Y01	RES,RK 10RF 1/4 -CP
R825	06S15616Y23	RES,RK JUMPER1/16-CP
R826	06S15616Y23	RES,RK JUMPER1/16-CP
R827	06S15616Y23	RES,RK JUMPER1/16-CP
R830	06S15615Y25	RES,RK 101J 1/16 -CP
R831	06S15615Y49	RES,RK 102J 1/16 -CP
R832	06S15615Y23	RES,RK 82RJ 1/16 -CP
R833	06S15615Y23	RES,RK 82RJ 1/16 -CP
R835	06S15615Y25	RES,RK 101J 1/16 -CP
R844	06S15616Y23	RES,RK JUMPER1/16-CP
R849	06S15616Y23	RES,RK JUMPER1/16-CP
R850	06S15616Y23	RES,RK JUMPER1/16-CP
R851	06S15616Y23	RES,RK JUMPER1/16-CP
R852	06S15616Y23	RES,RK JUMPER1/16-CP
R853	06S15616Y23	RES,RK JUMPER1/16-CP
R854	06S15616Y23	RES,RK JUMPER1/16-CP
R855	06S15615Y25	RES,RK 101J 1/16 -CP
R856	06S15615Y73	RES,RK 103J 1/16 -CP
R857	06S15615Y73	RES,RK 103J 1/16 -CP
R858	06S15615Y25	RES,RK 101J 1/16 -CP
R859	06S15615Y25	RES,RK 101J 1/16 -CP
R860	06S15615Y73	RES,RK 103J 1/16 -CP
R861	06S45674W02	RES,RK 2R7J 1/10 -CP
R862	06S45674W02	RES,RK 2R7J 1/10 -CP
R863	06S45674W02	RES,RK 2R7J 1/10 -CP
R864	06S45674W02	RES,RK 2R7J 1/10 -CP
R865	06S45674W02	RES,RK 2R7J 1/10 -CP
R866	06S45674W02	RES,RK 2R7J 1/10 -CP
R867	06S45674W02	RES,RK 2R7J 1/10 -CP
R868	06S45674W02	RES,RK 2R7J 1/10 -CP
R869	06S45674W02	RES,RK 2R7J 1/10 -CP
R870	06S45674W02	RES,RK 2R7J 1/10 -CP
R872	06S45675W45	RES,RK 1R0J 1/10 -CP
R873	06S45675W45	RES,RK 1R0J 1/10 -CP
R874	06S45675W45	RES,RK 1R0J 1/10 -CP
R875	06S45675W45	RES,RK 1R0J 1/10 -CP
R876	06S15615Y33	RES,RK 221J 1/16 -CP
R877	06S15615Y27	RES,RK 121J 1/16 -CP
R878	06S15615Y73	RES,RK 103J 1/16 -CP
R880	06S15616Y23	RES,RK JUMPER1/16-CP
R881	06S15615Y73	RES,RK 103J 1/16 -CP
R882	06S15615Y81	RES,RK 223J 1/16 -CP
R883	06S15615Y25	RES,RK 101J 1/16 -CP
R884	06S15615Y73	RES,RK 103J 1/16 -CP
R885	06S15615Y81	RES,RK 223J 1/16 -CP
R886	06S15615Y25	RES,RK 101J 1/16 -CP
R889	06S15615Y25	RES,RK 101J 1/16 -CP

R890	06S15615Y81	RES,RK 223J 1/16 -CP
R891	06S15616Y23	RES,RK JUMPER1/16-CP
R896	06S15615Y73	RES,RK 103J 1/16 -CP
R897	06S15615Y73	RES,RK 103J 1/16 -CP
R901	06S15616Y32	RES,RK 6R8J 1/16 -CP
R902	06-02713Z03	RES,RK 223D 1/16 -CP
R903	06-02713Z01	RES,RK 33RD 1/16 -CP
R904	06-02712Z01	RES,RK 121D 1/16 -CP
R905	06-02712Z04	RES,RK 471D 1/16 -CP
R906	06S15616Y23	RES,RK JUMPER1/16-CP
R907	06S15616Y23	RES,RK JUMPER1/16-CP
R911	06-02741Z01	RES,RK 331D 1/16 -CP
R912	06-02741Z01	RES,RK 331D 1/16 -CP
R913	06S15615Y09	RES,RK 22RJ 1/16 -CP
R914	06S45674W45	RES,RK 331J 1/10 -CP
R915	06S45674W45	RES,RK 331J 1/10 -CP
R921	06S15593Y37	RES,RK 331F 1/10 -CP
R922	06S15593Y37	RES,RK 331F 1/10 -CP
R923	06S15615Y09	RES,RK 22RJ 1/16 -CP
R924	06S45674W45	RES,RK 331J 1/10 -CP
R925	06S45674W45	RES,RK 331J 1/10 -CP
R926	06S15615Y31	RES,RK 181J 1/16 -CP
R927	06S45675W43	RES,RK JUMPER1/10-CP
SD801	48T75104Y01	DIO,SHT RB521G-30-CP
SD802	48T75104Y01	DIO,SHT RB521G-30-CP
TH601	48T75201Y03	TMT,NCP15XH103F0S-CP
TH602	48T75201Y03	TMT,NCP15XH103F0S-CP
XL601	91T75115Y01	XTL,FXO-64FL2 27M-E2
Z571	91T75196Y03	EMI,BK1005LL100 -CP
Z572	91T75196Y03	EMI,BK1005LL100 -CP
Z573	91T75196Y03	EMI,BK1005LL100 -CP
Z574	91T75196Y03	EMI,BK1005LL100 -CP
Z575	91T75196Y15	EMI,BK1005HM121 -CP
Z576	91T75196Y15	EMI,BK1005HM121 -CP
Z577	91T75196Y15	EMI,BK1005HM121 -CP
Z578	91T75196Y15	EMI,BK1005HM121 -CP
Z579	91T75196Y15	EMI,BK1005HM121 -CP
Z580	91T75196Y15	EMI,BK1005HM121 -CP
Z581	91T75196Y24	EMI,BK1005LL241 -CP
Z582	91T75196Y03	EMI,BK1005LL100 -CP
Z583	91T75196Y03	EMI,BK1005LL100 -CP
Z584	91T75196Y03	EMI,BK1005LL100 -CP
Z585	91T75196Y03	EMI,BK1005LL100 -CP
Z586	91T75196Y03	EMI,BK1005LL100 -CP
Z840	91T75196Y13	EMI,BK1005HS241 -CP
Z841	91T75196Y13	EMI,BK1005HS241 -CP
Z842	91T75196Y13	EMI,BK1005HS241 -CP
Z843	91T75196Y13	EMI,BK1005HS241 -CP
Z845	91T75196Y13	EMI,BK1005HS241 -CP
Z846	91T75196Y13	EMI,BK1005HS241 -CP
Z847	91T75196Y13	EMI,BK1005HS241 -CP
Z848	91T75196Y13	EMI,BK1005HS241 -CP

ZD901 48T55269Y01 DIO,ZEN LM4041CIM3CP

=====Miscellaneous

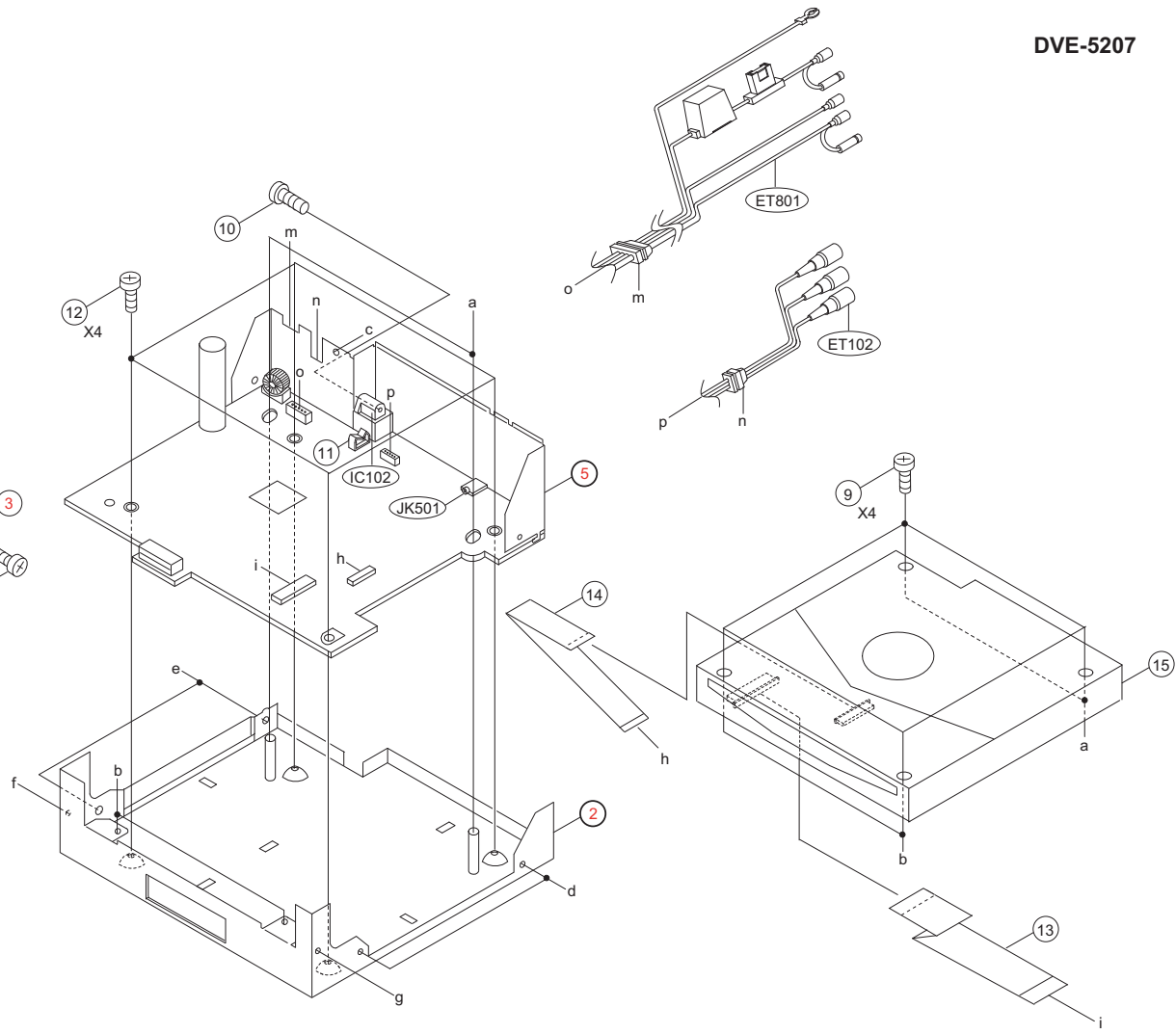
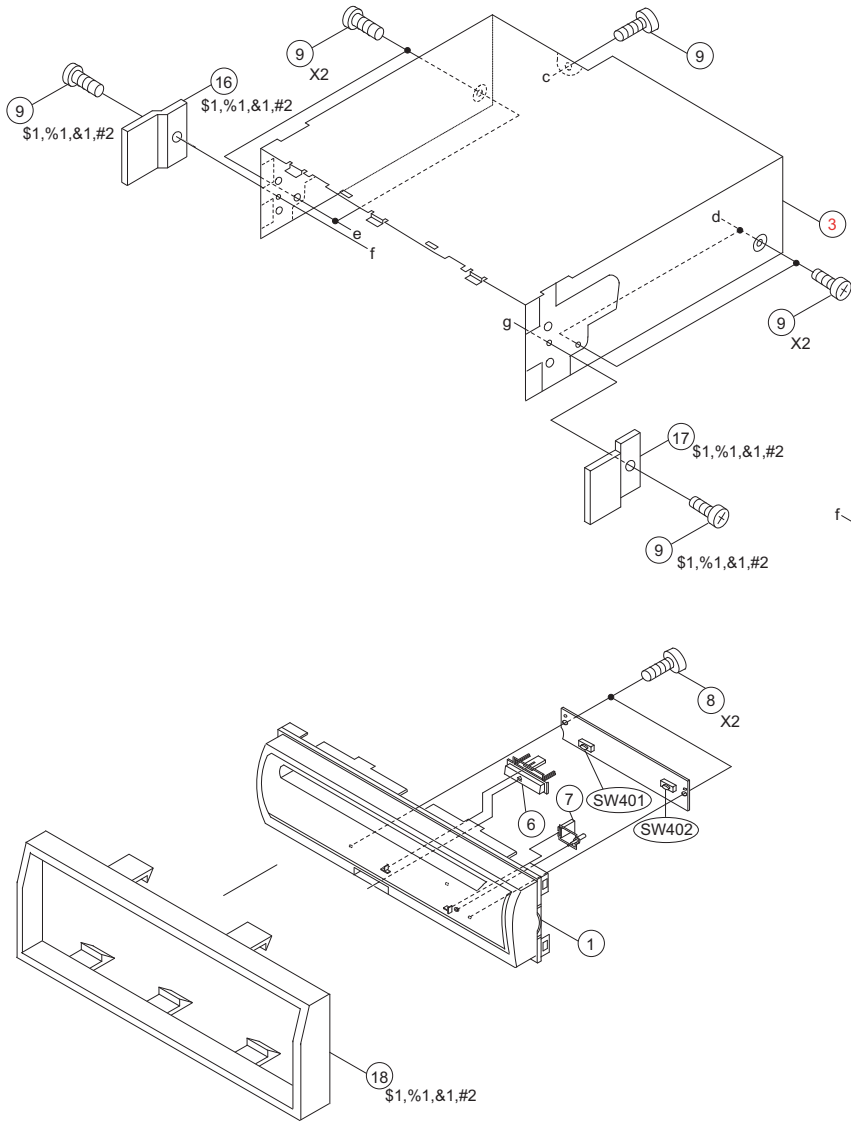
ET102	01T04219K02	ASSY,RCA WIRE5207
ET801	01T04220K01	ASSY,WIRE PWR RV5210
JK501	09T75358W02	JAC,HSJ1102-01-520DB
SW401	40T65353Y01	SW,TACT SKRSPACE010E2
SW402	40T65353Y01	SW,TACT SKRSPACE010E2

=====DV37M150

HD101	EP-00830Z01	ED21A51L
M101	59-01510Z01	MOTOR,M1N10FB95G
M102	59-02071Z01	MOTOR,24C0303020
M103	59T65142Y01	MOTOR,MSDV020L01
SW406	40T15494Y12	SW,DETCT SPVG2303-E6
SW801	40T55230Y01	SW,DETCT ESE13V01CE5
SW802	40T55230Y01	SW,DETCT ESE13V01CE5
SW803	40T55043Y02	SW,DETCT SPVL12 -E5
SW804	40T15494Y12	SW,DETCT SPVG2303-E6
SW805	40T55230Y01	SW,DETCT ESE13V01CE5

Exploded View (Cabinet)

DVE-5207



NOTE:\$1:For European Model Only,
 %1:For General Foreign/Region3 Model Only,
 &1:For General Foreign/Region4 Model Only,
 #2:For Chinese Model Only,
 Others:Common.

Cabinet Assembly Parts List

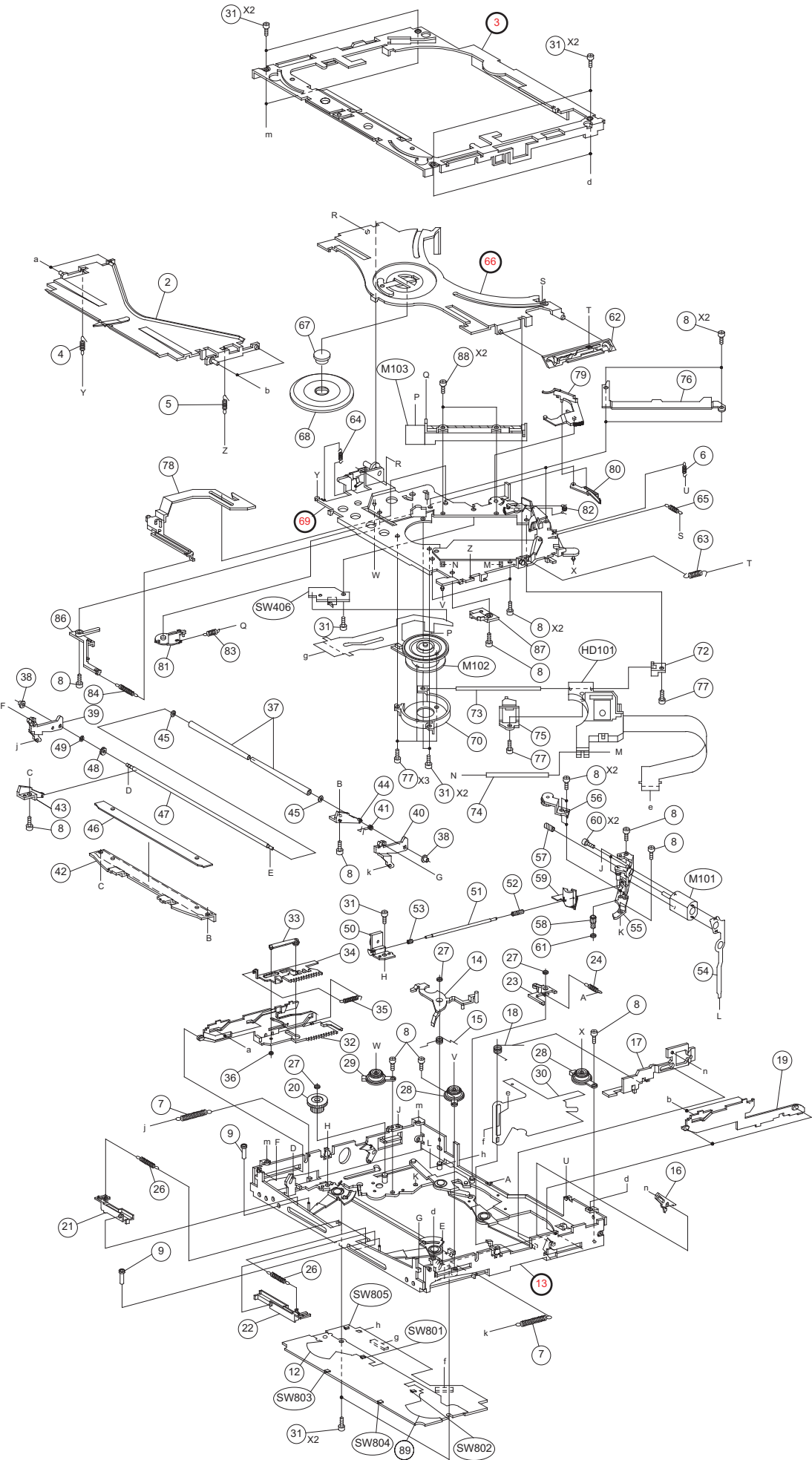
NOTE : The part that has not PART NUMBER will not be supplied.

\$1 : For European Model Only,
 %1 : For General Foreign / Region3 Model Only,
 &1 : For General Foreign / Region4 Model Only,
 #2 : For Chinese Model Only,
 Others : Common.

	1	EN-02270Z01	NOSE,PIECE ASSY
	2	-----	CHAS,BASE
	3	-----	COVER, TOP
	5	-----	BKT, REAR CHAS
	6	36-02100Z01	KNOB, EJECT
	7	36-02101Z01	KNOB, RESET
	8	03S60823Y06	SCR, P-T 2X8 ZN A
	9	03S44205G34	SCR, T-TITE M2.6X5BLK
	10	03S60825Y04	SCR, B-T 3X8 ZN A
	11	42T93247F07	WIRE, SADDLE
	12	03T25225Y01	SCR, GND
	13	30-02544Z01	SML2CD45X132ADX6(BL)
	14	30-02545Z02	SML2SC24(5)X132.1-BD
	15	DV-02996Z01	DV37M150
\$1	16	07D00749K01	BKT, SIDE L
%1	16	07D00749K01	BKT, SIDE L
&1	16	07D00749K01	BKT, SIDE L
#2	16	07D00749K01	BKT, SIDE L
\$1	17	07D00749K02	BKT, SIDE R
%1	17	07D00749K02	BKT, SIDE R
&1	17	07D00749K02	BKT, SIDE R
#2	17	07D00749K02	BKT, SIDE R
\$1	18	33C04102K01	FACE, PLATE
%1	18	33C04102K01	FACE, PLATE
&1	18	33C04102K01	FACE, PLATE
#2	18	33C04102K01	FACE, PLATE

Exploded View (DVD Deck Mechanism)

(DV37M150)



DVD Deck Mechanism Assembly Parts List

NOTE : The part that has not PART NUMBER will not be supplied.

2	01A51490Y23	ASSY,RIV GUIDE TOP
3	-----	CHASSIS, TOP
4	41A60338Y01	SPRING,DRIVE F-L
5	41A60339Y01	SPRING,DRIVE F-R
6	41A60340Y01	SPRING,DRIVE R
7	41A60344Y01	SPRING,LEV ROLL-L
8	03S94385F19	SCR,NYLOK M2X2.5
9	43-01050Z02	ROLLER,DISC PIN
12	14-01064Z01	INSULATOR,PWB L2
13	-----	ASSY,RIV CHAS BASE
14	45C51003Y10	LEVER,TRIGER MAIN
15	41A51395Y01	SPRING,LEV TRG MAIN
16	45A50833Y11	LEVER,LINK SLDR(R)
17	45B51221Y11	SLIDER,LOCK(R2)
18	41A51396Y01	SPRING,SLD LOCK(R2)
19	45C51237Y10	SLIDER,LOCK(R1)
20	44-02002Z02	GEAR,LOAD (E2)
21	45-01051Z02	SLIDER,DISC SW(L)
22	45-01052Z02	SLIDER,DISC SW(R)
23	45B50838Y11	LEVER,LOCK(RC)
24	41A60343Y01	SPRING,LEV LOCK-RC
26	41-02948Z01	SPRING,LEV DISC
27	04B41345P14	WASH,L. 2.1X4X0.25
28	75C60456Y03	DAMPER,DV-TM
29	75C60456Y02	DAMPER,DV-TM
30	14A51712Y01	INSULATOR,FPC
31	03S94385F07	SCR,NYLOK M2X2
32	45D51236Y10	SLIDER,LOCK(L)
33	01A51491Y11	ASSY,RIV LEV ASST
34	44-02001Z03	ASSY,SLIDER TRIGER 2
35	41A60348Y01	SPRING,SLD TRIGER
36	04B41345P15	WASH,1.2X3.5X0.35
37	49A51397Y03	ROLLER,DV-TM
38	43A51228Y11	BUSH,ARM GUIDE
39	45-02722Z02	LEVER,ROLLER(L)2
40	45-02723Z02	LEVER,ROLLER(R)2
41	41A60360Y01	SPRING,ARM GUIDE
42	45-01385Z02	ARM,DISC GUIDE
43	45B60959Y11	ARM,DISC GUIDE-L
44	45B60960Y11	ARM,DISC GUIDE-R
45	04S40075G09	WASH,2.6X4.7X0.25
46	14A61435Y01	INSULATOR,ARM DISC
47	47A51349Y01	SHAFT,ROLLER
48	44-01531Z02	GEAR,ROLLER-2
49	04B41345P02	WASH,1.7X3.5X0.25
50	07-01606Z02	ASSY,RIV BKT LD-F-3
51	47-01479Z01	SHAFT,LOAD
52	44A50827Y11	GEAR,LOAD(C)
53	44-01532Z02	GEAR,LOAD(F)-2
54	84-01207Z01	FPC,LOAD
55	07-01177Z02	ASSY,RIV BKT LOAD(R)
56	01A51487Y11	ASSY,RIV BKT LD-R2

57	44A50825Y11	GEAR,LOAD(A)
58	44A50826Y11	GEAR,LOAD(B)
59	07B51226Y11	BKT,SHAFT LOAD
60	03S30688Y17	SCR,MCH M1.4X2
61	04B41345P11	WASH,1.2X2.5X0.25
62	45B51235Y10	SLIDER,ARM LIFT(R)
63	41A60336Y01	SPRING,CLAMP-R
64	41A60335Y01	SPRING,CLAMP-L
65	41A60337Y01	SPRING,CLAMP-RTL
66	-----	ASSY,RIV ARM CLAMP
67	43-01054Z02	STOPPER,CLAMP
68	43-01049Z02	TABLE,CLAMPER
69	-----	ASSY,RIV CHAS PICKUP
70	07-01053Z02	BKT,SPINDLE ADJUST
72	07A50823Y11	BKT,SHAFT PICKUP
73	47A51347Y01	SHAFT,PICKUP MAIN
74	47-01057Z01	SHAFT,PICKUP SUB
75	41B50836Y11	SPRING,NUT
76	15A51210Y11	COVER,MAIN
77	03S94385F09	SCR,NYLOK M2X3 P2
78	45C51234Y02	SLIDER,8CM
79	01B61577Y10	ASSY,RIV LEVER-8L
80	45A51231Y10	LEVER,TRIGER 8CM
81	45-02638Z02	LEVER,TRIGER SUB2
82	41A51394Y01	SPRING,LEV 8CM(L)
83	41A60346Y01	SPRING,LEV TRG-SUB
84	41A60347Y01	SPRING,SLD 8CM
86	07A60069Y11	BKT,SLIDER 8CM
87	15B61279Y11	SPACER,DAMPER
88	03S94385F98	SCR,NYLOK M2X2.5
89	14-01063Z01	INSULATOR,PWB R2