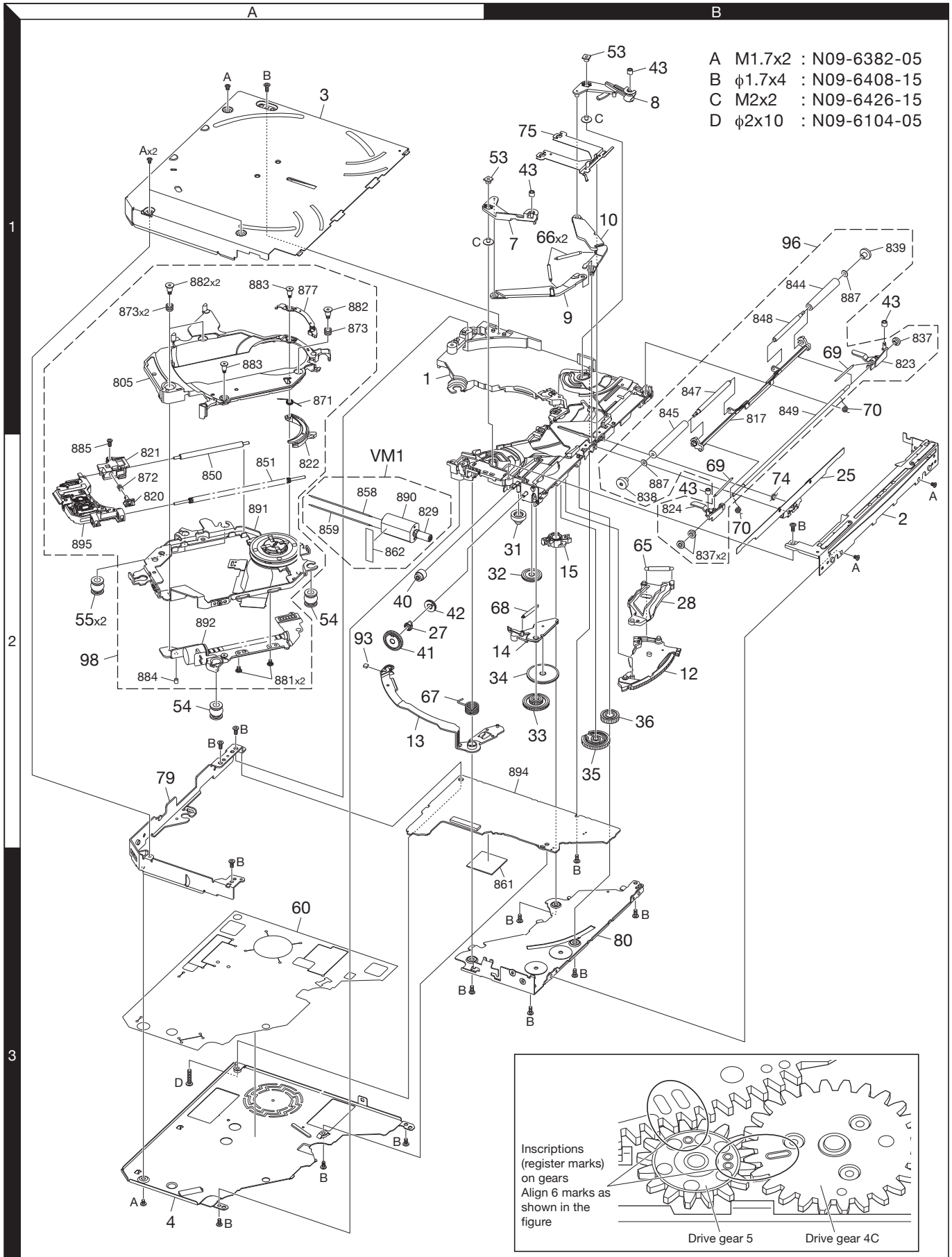


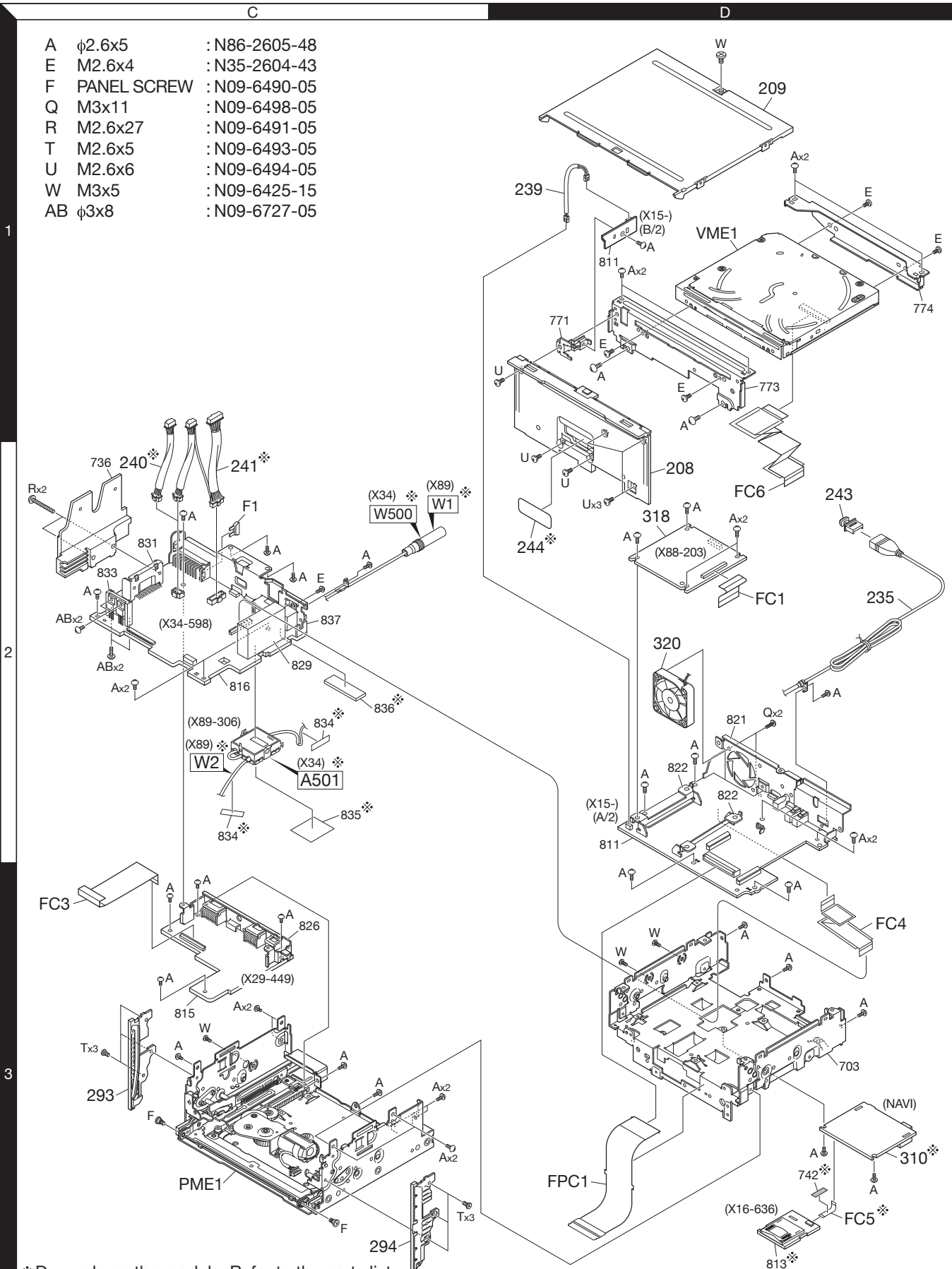
EXPLODED VIEW (DVD MECHANISM)



Parts with the exploded numbers larger than 700 are not supplied.

EXPLODED VIEW (UNIT)

- | | | |
|----|-------------|---------------|
| A | φ2.6x5 | : N86-2605-48 |
| E | M2.6x4 | : N35-2604-43 |
| F | PANEL SCREW | : N09-6490-05 |
| Q | M3x11 | : N09-6498-05 |
| R | M2.6x27 | : N09-6491-05 |
| T | M2.6x5 | : N09-6493-05 |
| U | M2.6x6 | : N09-6494-05 |
| W | M3x5 | : N09-6425-15 |
| AB | φ3x8 | : N09-6727-05 |



* Depends on the models. Refer to the parts list.

Parts with the exploded numbers larger than 700 are not supplied.

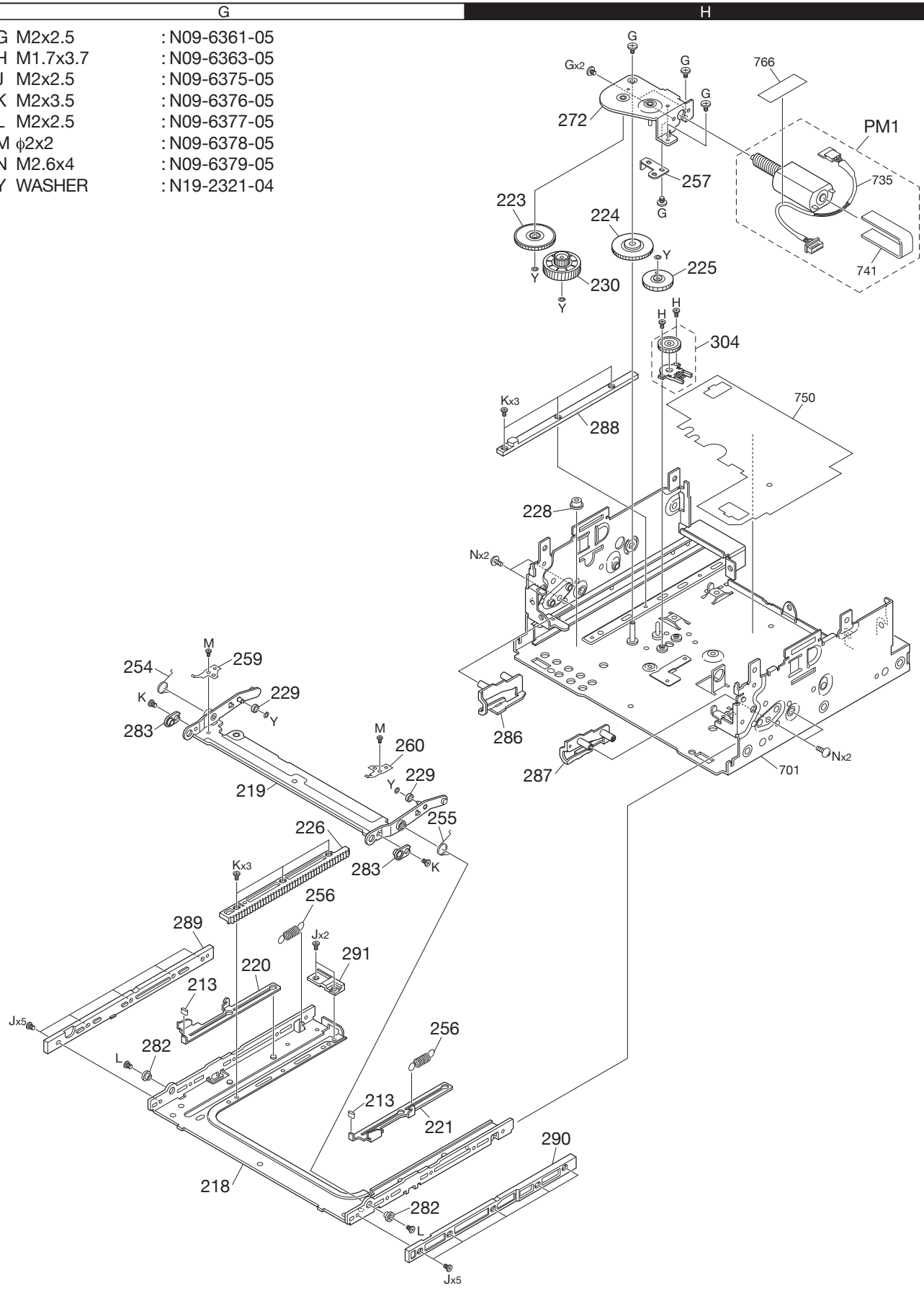
EXPLODED VIEW (DRIVE MECHANISM)

G	M2x2.5	: N09-6361-05
H	M1.7x3.7	: N09-6363-05
J	M2x2.5	: N09-6375-05
K	M2x3.5	: N09-6376-05
L	M2x2.5	: N09-6377-05
M	φ2x2	: N09-6378-05
N	M2.6x4	: N09-6379-05
Y	WASHER	: N19-2321-04

1

2

3



Parts with the exploded numbers larger than 700 are not supplied.

PARTS LIST

* New parts
Parts without **Parts No.** are not supplied.
Les articles non mentionnés dans le **Parts No.** ne sont pas fournis.
Teile ohne **Parts No.** werden nicht geliefert.

Ref. No.	A d d	N e w	Parts No.	Description	Desti- nation	Ref. No.	A d d	N e w	Parts No.	Description	Desti- nation
DDX7032/7032M/712_DNX7120/7220/7320											
204	3E	*	A21-6665-03	DRESSING PANEL		213	3G		B09-0541-04	CAP	
208	1D		A22-3170-01	SUB PANEL ASSY	E2	LCD1	3F		B38-1199-05	LCD	
208	1D		A22-3170-01	SUB PANEL ASSY	K2M5X3	217	1E		D10-4589-04	LEVER	
208	1D	*	A22-3174-01	SUB PANEL ASSY	K1M2M4	218	3G		D10-4895-22	SLIDER ASSY	
208	1D	*	A22-3174-01	SUB PANEL ASSY	X2R2	219	2G		D10-4897-13	ARM ASSY	
						220	3G		D10-4899-03	LEVER	
						221	3G		D10-4900-03	LEVER	
209	1D		A52-0895-02	TOP PLATE		223	1H		D13-2394-04	GEAR	
210	1F		A46-1862-02	REAR COVER		224	1H		D13-2395-04	GEAR	
PA1	3E	*	A64-4509-01	PANEL ASSY	K1	225	1H		D13-2396-04	GEAR	
PA1	3E	*	A64-4510-01	PANEL ASSY	R2X2	226	3G		D13-2397-03	RACK (GEAR)	
PA1	3E	*	A64-4511-01	PANEL ASSY	M2M4	227	2E		D14-1024-04	ROLLER	
PA1	3E		A64-4522-01	PANEL ASSY	K2	228	2H		D14-1010-04	ROLLER	
PA1	3E	*	A64-4523-01	PANEL ASSY	E2	229	2G		D14-1011-14	ROLLER	
PA1	3E	*	A64-4613-01	PANEL ASSY	M5	230	1H		D19-0653-23	CLUTCH ASSY	
PA1	3E	*	A64-4614-01	PANEL ASSY	X3						
PME1	3C		A10-5300-41	CHASSIS ASSY							
RC1	1E		A70-2082-15	REMOTE CONTROLLER AS (RC-DV330)	E2	231	1F		E30-6785-05	CORD WITH PLUG (IPOD VIDEO)	K1R2K2
RC1	1E		A70-2082-15	REMOTE CONTROLLER AS (RC-DV330)	K2M5X3	232	1F	*	E30-6786-05	CORD WITH PLUG (RELAY)	
RC1	1E		A70-2083-15	REMOTE CONTROLLER AS (RC-DV340)	K1M2M4	235	2D		E30-6789-05	CORD WITH PLUG (USB)	
RC1	1E		A70-2083-15	REMOTE CONTROLLER AS (RC-DV340)	X2R2	236	1E		E30-6792-05	CORD WITH PINPLUG (AV)	
						237	1F		E30-6794-05	CORD WITH PINPLUG (PRE)	
-		*	B54-4647-00	INSTALLATION MANU (F.G.D.I.S.P)	E2	239	1D	*	E39-0915-05+	WIRING HARNESS	
-		*	B54-4653-00	INSTALLATION MANU (ENG.FRE.SPA)	K1R2K2	240	2C	*	E39-0983-15	WIRING HARNESS	K1M2M4
-		*	B54-4654-00	INSTALLATION MANUAL (POR.)	R2	240	2C	*	E39-0983-15	WIRING HARNESS	X2R2
-		*	B54-4655-00	INSTALLATION MA (ENG.S-CHI.KOR)	M2X2M4	241	2C	*	E39-0986-15	WIRING HARNESS	E2
-		*	B54-4655-00	INSTALLATION MA (ENG.S-CHI.KOR)	M5X3	241	2C	*	E39-0986-15	WIRING HARNESS	K2M5X3
-		*	B54-4664-00	INSTALLATION MANUAL (ARA.)	M4	DC1	1E	*	E30-6824-05	DC CORD	K1M2M4
-			B59-1880-00	SUB-INSTRUCTION MANUAL		DC1	1E	*	E30-6824-05	DC CORD	M5X3
-		*	B64-4082-00	INSTRUCTION MANUAL (ENG.)	E2	DC1	1E	*	E30-6824-05	DC CORD	X2R2K2
-		*	B64-4083-00	INSTRUCTION MANUAL (FRE.)	E2	DC2	1E	*	E30-6825-05	DC CORD	E2
-		*	B64-4084-00	INSTRUCTION MANUAL (GER.)	E2	FC1	2D	*	E39-1003-05	FLAT CABLE	
-		*	B64-4085-00	INSTRUCTION MANUAL (DUT.)	E2	FC3	3C	*	E39-1024-05	FLAT CABLE	
-		*	B64-4086-00	INSTRUCTION MANUAL (ITA.)	E2	FC4	3D	*	E39-1025-05	FLAT CABLE	
-		*	B64-4087-00	INSTRUCTION MANUAL (SPA.)	E2	FC5	3D	*	E39-1026-05	FLAT CABLE	E2
-		*	B64-4088-00	INSTRUCTION MANUAL (POR.)	E2	FC5	3D	*	E39-1026-05	FLAT CABLE	K2M5X3
-			B64-4103-00	INSTRUCTION MANUAL (ENG.)	K1R2K2	FC6	2D	*	E39-1027-05	FLAT CABLE	
-			B64-4104-00	INSTRUCTION MANUAL (FRE.)	K1K2	242	2F		F07-1192-02	COVER	
-			B64-4105-00	INSTRUCTION MANUAL (SPA.)	K1R2K2	243	2D		F09-2929-04	CAP (USB)	
-		*	B64-4106-00	INSTRUCTION MANUAL (POR.)	R2	244	2D		F09-2932-04	SHEET	K1M2M4
-		*	B64-4107-00	INSTRUCTION MANUAL (ENG.)	M2X2M4	244	2D		F09-2932-04	SHEET	X2R2
-		*	B64-4107-00	INSTRUCTION MANUAL (ENG.)	M5X3	246	3F		F09-2958-04	SHEET	
-		*	B64-4108-00	INSTRUCTION MANUAL (S-CHI.)	M2M5	249	2F		F20-2432-03	INSULATING SHEET	
-		*	B64-4109-00	INSTRUCTION MANUAL (KOR.)	M2	F1	2C		F52-0007-05	FUSE (MINI BLADE TYPE) 15A	
-		*	B64-4110-00	INSTRUCTION MANUAL (ENG.)	K2						
-		*	B64-4111-00	INSTRUCTION MANUAL (FRE.SPA.)	K2	252	2E		G01-4659-04	COMPRESSION SPRING	
-		*	B64-4112-00	INSTRUCTION MANUAL (ENG.)	E2	254	2G		G01-3288-04	TORSION COIL SPRING	
-						255	2G		G01-3289-04	TORSION COIL SPRING	
-		*	B64-4113-00	INSTRUCTION MANUA (FRE.GER.DUT)	E2	256	3G		G01-3290-04	EXTENSION SPRING	
-		*	B64-4114-00	INSTRUCTION MANUA (ITA.SPA.POR)	E2	257	1H		G02-1539-04	FLAT SPRING	
-		*	B64-4172-00	INSTRUCTION MANUAL (ARA.)	M4						
-		*	B64-4173-00	INSTRUCTION MANUAL (ENG.S-CHI.)	M5	259	2G		G02-1544-04	FLAT SPRING	
-		*	B64-4180-00	INSTRUCTION MANUAL (ENG.)	X3	260	2G		G02-1545-04	FLAT SPRING	
211	1F		B07-3172-12	ESCUTCHEON	K1M2M4	264	2E		G16-1688-04	SHEET	
211	1F		B07-3172-12	ESCUTCHEON	M5X3	265	3E	*	G16-1713-14	SHEET	
211	1F		B07-3172-12	ESCUTCHEON	X2R2K2	267	2F		G16-1695-04	SHEET	
212	1E		B07-3224-01	ESCUTCHEON		-			H54-4312-03	ITEM CARTON CASE	K2

E2 : DNX7220 (Europe)
K1 : DDX712 K2 : DNX7120 (North America)
X2 : DDX7032 X3 : DNX7320 (Australia) R2 : DDX7032 (Latin America)
M2 : DDX7032 M4 : DDX7032M M5 : DNX7320 (Other Areas)

△ Indicates safety critical components.

PARTS LIST

DDX7032/7032M/712_DNX7120/7220/7320

Ref. No.	A d d	N e w	Parts No.	Description	Desti- nation
-		*	H54-4313-03	ITEM CARTON CASE	E2
-		*	H54-4320-03	ITEM CARTON CASE	K1
-		*	H54-4321-03	ITEM CARTON CASE	R2
-		*	H54-4322-03	ITEM CARTON CASE	M2X2
-		*	H54-4375-03	ITEM CARTON CASE	M5X3
-		*	H54-4377-03	ITEM CARTON CASE	M4
268	1E		H30-0595-04	ADHESIVE DOUBLE-COATED TAPE	K1M2M4
268	1E		H30-0595-04	ADHESIVE DOUBLE-COATED TAPE	M5X3
268	1E		H30-0595-04	ADHESIVE DOUBLE-COATED TAPE	X2R2K2
269	1F		J11-0660-05	CLAMPER	K2
270	1F		J21-9867-04	MOUNTING HARDWARE (GPS-BOTTOM)	E2
270	1F		J21-9867-04	MOUNTING HARDWARE (GPS-BOTTOM)	K2M5X3
272	1H		J22-0444-13	MOUNTING HARDWARE ASSY	
275	1E		J22-0657-03	MOUNTING HARDWARE ASSY	
277	2E	*	J22-0751-02	MOUNTING HARDWARE ASSY	
282	3G		J31-1075-14	COLLAR (ARM COLLAR)	
283	2G		J31-1077-04	COLLAR (PANEL COLLAR)	
286	2H		J90-1124-13	GUIDE ASSY	
287	2H		J90-1126-13	GUIDE ASSY	
288	2H		J90-1128-03	RAIL	
289	3G		J90-1129-23	RAIL	
290	3H		J90-1130-23	RAIL	
291	3G		J90-1131-03	GUIDE	
293	3C		J90-1160-01	RAIL (L)	
294	3C		J90-1161-01	RAIL (R)	
FPC1	3D	*	J86-0051-05	FPC (LEAD FREE)	
303	1E		N99-1779-15	SCREW SET	K1M2M4
303	1E		N99-1779-15	SCREW SET	M5X3
303	1E		N99-1779-15	SCREW SET	X2R2K2
A	3C		N86-2605-48	BINDING HEAD TAPTITE SCREW	
AA	2E		N35-2003-48	BINDING HEAD MACHINE SCREW	
C	3E	*	N09-6489-05	MACHINE SCREW (M2.0X3.0)	
E	1D		N35-2604-43	BINDING HEAD MACHINE SCREW	
F	3C		N09-6490-05	STEPPED SCREW (PANEL SCREW)	
G	1H		N09-6361-05	MACHINE SCREW (M2X2.5)	
H	1H		N09-6363-05	MACHINE SCREW (M1.7X3.7)	
J	3G		N09-6375-05	MACHINE SCREW (M2X2.5)	
K	2G		N09-6376-05	MACHINE SCREW (M2X3.5)	
L	3G		N09-6377-05	MACHINE SCREW (M2X2.5)	
M	2G		N09-6378-05	TAPTITE SCREW (STITE 2X2)	
N	2H		N09-6379-05	MACHINE SCREW (M2.6X4 BIND)	
R	2C		N09-6491-05	MACHINE SCREW (M2.6X27)	
T	3C		N09-6493-05	MACHINE SCREW (M2.6X5)	
U	1D		N09-6494-05	MACHINE SCREW (M2.6X6)	
W	3C		N09-6425-15	MACHINE SCREW (M3.0X5)	
X	2E		N19-2332-04	FLAT WASHER (1.2X3.2X0.25)	
Y	1H		N19-2321-04	FLAT WASHER (1.6X4X0.25)	
304	1H		R31-0248-05	VARIABLE RESISTOR	
305	3F		S79-0854-05	SWITCH ASSY	
PM1	1H		T42-1322-14	MOTOR ASSY	
309	1F		W02-5305-05	ANTENNA MODULE (GPS-ANT)	E2

Ref. No.	A d d	N e w	Parts No.	Description	Desti- nation
309	1F		W02-5305-05	ANTENNA MODULE (GPS-ANT)	K2M5X3
310	1D	*	W02-5307-05	NAVIGATION MODULE (NAVI-M)	M5X3
310	1D	*	W02-5309-05	NAVIGATION MODULE (NAVI-K)	K2
310	1D	*	W02-5310-15	NAVIGATION MODULE (NAVI-E)	E2
318	2D		X88-2030-11	DIGITAL I/O UNIT	
VME1	1D	*	X92-6180-01	DVD MECHANISM ASSY (DVS-8561V)	
VIDEO CONTROL UNIT (X15-117x-xx)					
D514			B30-1767-05	LED	
C1			C90-5670-05	ELECTRO	2200UF 16WV
C2,3			CK73GB1H104K	CHIP C	0.10UF K
C4			CK73FB0J106K	CHIP C	10UF K
C4			CK73FB0J106K	CHIP C	10UF K
C4			CK73FB0J106K	CHIP C	10UF K
C5			CK73GB1H103K	CHIP C	0.010UF K
C5			CK73GB1H103K	CHIP C	0.010UF K
C6			CK73GB1H104K	CHIP C	0.10UF K
C7,8			CK73GB1H103K	CHIP C	0.010UF K
C9			CE32BF1C221M	CHIP EL	220UF 16WV
C9			CE32BF1C221M	CHIP EL	220UF 16WV
C19			CE32BF1E101M	CHIP EL	100UF 25WV
C38			CK73GB1H103K	CHIP C	0.010UF K
C39			CK73GB1H104K	CHIP C	0.10UF K
C40			CE32BF1E101M	CHIP EL	100UF 25WV
C41			CK73GB1C104K	CHIP C	0.10UF K
C42			CK73GB0J105K	CHIP C	1.0UF K
C53			CE32BJ1C470M	CHIP EL	47UF 16WV
C57			CE32BJ1C100M	CHIP EL	10UF 16WV
C58			CK73GB1H103K	CHIP C	0.010UF K
C59			CK73FB1E474K	CHIP C	0.47UF K
C94			CK73GB1A105K	CHIP C	1.0UF K
C95			CK73GB1C104K	CHIP C	0.10UF K
C96			CE32BF1C221M	CHIP EL	220UF 16WV
C97			CE32BJ1C101M	CHIP EL	100UF 16WV
C102			CK73GB1A105K	CHIP C	1.0UF K
C115			CE32BJ1C100M	CHIP EL	10UF 16WV
C122			CK73GB1H103K	CHIP C	0.010UF K
C124,125			CK73GB1A105K	CHIP C	1.0UF K
C128			CK73GB1A105K	CHIP C	1.0UF K
C129			CK73FB0J106K	CHIP C	10UF K
C133			CK73GB1C104K	CHIP C	0.10UF K
C134			CK73GB1A105K	CHIP C	1.0UF K
C137			CK73FB1C105K	CHIP C	1.0UF K
C200,201			CC73GCH1H101J	CHIP C	100PF J
C202			CK73GB1C473K	CHIP C	0.047UF K
C203,204			CK73GB1H102K	CHIP C	1000PF K
C205			CC73GCH1H221J	CHIP C	220PF J
C206			CC73GCH1H101J	CHIP C	100PF J
C207			CC73GCH1H470J	CHIP C	47PF J
C208			CK73GB1H103K	CHIP C	0.010UF K
C209			CK73GB1H223K	CHIP C	0.022UF K
C210			CK73GB1H103K	CHIP C	0.010UF K
C212,213			CK73GB1H102K	CHIP C	1000PF K
C214			CK73GB1C473K	CHIP C	0.047UF K
C215			CC73GCH1H221J	CHIP C	220PF J

E2 : DNX7220 (Europe)
 K1 : DDX712 K2 : DNX7120 (North America)
 X2 : DDX7032 X3 : DNX7320 (Australia) R2 : DDX7032 (Latin America)
 M2 : DDX7032 M4 : DDX7032M M5 : DNX7320 (Other Areas)

△ Indicates safety critical components.

PARTS LIST

VIDEO CONTROL UNIT (X15-117x-xx)

Ref. No.	Add	New	Parts No.	Description	Destination	Ref. No.	Add	New	Parts No.	Description	Destination
C217			CK73GB1H102K	CHIP C 1000PF K		C284			CK73GB1H103K	CHIP C 0.010UF K	
C218			CK73GB1C473K	CHIP C 0.047UF K		C285,286			CK73GB1C104K	CHIP C 0.10UF K	
C219			CC73GCH1H221J	CHIP C 220PF J		C287			CK73GB1H102K	CHIP C 1000PF K	
C220			CC73GCH1H470J	CHIP C 47PF J		C288			CK73GB1H103K	CHIP C 0.010UF K	
C221			CK73GB1H103K	CHIP C 0.010UF K		C289			CK73GB1H104K	CHIP C 0.10UF K	
C222			CK73GB1H153K	CHIP C 0.015UF K		C290			CK73GB1H103K	CHIP C 0.010UF K	
C224,225			CK73GB1H102K	CHIP C 1000PF K		C291			C93-1367-05	CHIP C 10UF K	
C226			CC73GCH1H470J	CHIP C 47PF J		C293			CK73GB1H103K	CHIP C 0.010UF K	
C227			CK73GB1C473K	CHIP C 0.047UF K		C294			CE32AV0J221M	CHIP EL 220UF 6.3WV	
C228			CC73GCH1H221J	CHIP C 220PF J		C304-306			CK73EB1E106K	CHIP C 10UF K	
C230			CK73GB1H223K	CHIP C 0.022UF K		C401			CK73HB1E103K	CHIP C 0.010UF K	
C231			CK73GB1H102K	CHIP C 1000PF K		C403,404			CK73HB1A104K	CHIP C 0.10UF K	
C232			CK73FB0J106K	CHIP C 10UF K		C405			CK73HB1E103K	CHIP C 0.010UF K	
C233			CK73GB1C104K	CHIP C 0.10UF K		C406			CC73HCH1H220J	CHIP C 22PF J	
C234			CK73GB1H104K	CHIP C 0.10UF K		C407			CC73HCH1H180J	CHIP C 18PF J	
C235			CK73EB1E225K	CHIP C 2.2UF K		C408			CK73HB0J105K	CHIP C 1.0UF K	
C236-238			CK73GB1H104K	CHIP C 0.10UF K		C409-415			CK73HB1A104K	CHIP C 0.10UF K	
C239,240			CK73GB1H103K	CHIP C 0.010UF K		C416-419			CC73HCH1H471J	CHIP C 470PF J	
C241			CK73GB1H104K	CHIP C 0.10UF K		C420			CK73HB0J105K	CHIP C 1.0UF K	
C242			CK73FB0J106K	CHIP C 10UF K		C421-426			CC73HCH1H101J	CHIP C 100PF J	
C243			CK73GB1C104K	CHIP C 0.10UF K		C427,428			CC73HCH1H100D	CHIP C 10PF D	
C244			CK73GB1H104K	CHIP C 0.10UF K		C429,430			CK73FB0J106K	CHIP C 10UF K	
C245			CK73EB1E225K	CHIP C 2.2UF K		C433			CK73GB1H103K	CHIP C 0.010UF K	
C246-248			CK73GB1H104K	CHIP C 0.10UF K		C434,435			CK73GB1H222K	CHIP C 2200PF K	
C249,250			CK73GB1H103K	CHIP C 0.010UF K		C503			CK73GB1H104K	CHIP C 0.10UF K	E2
C251			CK73GB1H104K	CHIP C 0.10UF K		C503			CK73GB1H104K	CHIP C 0.10UF K	K2M5X3
C252			CK73GB1H103K	CHIP C 0.010UF K		C517			CK73FB0J106K	CHIP C 10UF K	
C253			CK73GB1H104K	CHIP C 0.10UF K		C518			CK73GB1H222K	CHIP C 2200PF K	
C254			CK73EB1E106K	CHIP C 10UF K		C520			CK73GB1H103K	CHIP C 0.010UF K	
C255			CK73GB1H103K	CHIP C 0.010UF K		C521			CE32BJ1C470M	CHIP EL 47UF 16WV	
C256			CK73GB1H104K	CHIP C 0.10UF K		C522,523			CK73GB0J475K	CHIP C 4.7UF K	
C257,258			CE32BQ1E680M	CHIP EL 68UF 25WV		C524			CK73GB1C104K	CHIP C 0.10UF K	
C259			CK73GB1H104K	CHIP C 0.10UF K		C526-528			CK73GB1A474K	CHIP C 0.47UF K	
C260			CK73GB1H103K	CHIP C 0.010UF K		C529			CK73GB1H102K	CHIP C 1000PF K	
C261			CK73EB1E106K	CHIP C 10UF K		C530			CK73GB1A474K	CHIP C 0.47UF K	
C262			CK73GB1H102K	CHIP C 1000PF K		C531			CK73GB1C104K	CHIP C 0.10UF K	
C263			CE32AV1A121M	CHIP EL 120UF 10WV		C533,534			CK73GB1H222K	CHIP C 2200PF K	
C264			CK73GB1H103K	CHIP C 0.010UF K		C535-538			CK73FB0J106K	CHIP C 10UF K	
C265,266			CK73GB1C104K	CHIP C 0.10UF K		C600			CK73GB1H103K	CHIP C 0.010UF K	
C267			CK73GB1H103K	CHIP C 0.010UF K		C601,602			CK73GB0J475K	CHIP C 4.7UF K	
C268			CE32AV0J221M	CHIP EL 220UF 6.3WV		C603-605			CK73GB0J105K	CHIP C 1.0UF K	
C269			CK73GB1H102K	CHIP C 1000PF K		C606			CK73GB0J475K	CHIP C 4.7UF K	
C270			CK73GB1H103K	CHIP C 0.010UF K		C607			CK73GB1H103K	CHIP C 0.010UF K	
C271			CK73GB1H104K	CHIP C 0.10UF K		C608			CK73GB0J475K	CHIP C 4.7UF K	
C272,273			CK73GB1H102K	CHIP C 1000PF K		C609,610			CK73GB0J105K	CHIP C 1.0UF K	
C274			CK73GB1H103K	CHIP C 0.010UF K		C611			CK73GB0J475K	CHIP C 4.7UF K	
C275			CK73GB1H104K	CHIP C 0.10UF K		C612			CK73GB0J105K	CHIP C 1.0UF K	
C276			CK73EB1E106K	CHIP C 10UF K		C613			CK73GB0J475K	CHIP C 4.7UF K	
C277			CK73GB1H103K	CHIP C 0.010UF K		C614-616			CK73GB1H103K	CHIP C 0.010UF K	
C278			CK73GB1H104K	CHIP C 0.10UF K		C618,619			CK73FB0J106K	CHIP C 10UF K	
C279			CE32BQ1E680M	CHIP EL 68UF 25WV		C620			CK73GB0J475K	CHIP C 4.7UF K	K1M2M4
C280			CE32BM1E470M	CHIP EL 47UF 25WV		C620			CK73GB0J475K	CHIP C 4.7UF K	X2R2
C281			CK73GB1H104K	CHIP C 0.10UF K		C621			CK73GB1C104K	CHIP C 0.10UF K	K1M2M4
C282			CK73GB1H102K	CHIP C 1000PF K		C621			CK73GB1C104K	CHIP C 0.10UF K	X2R2
C283			CE32AV0G331M	CHIP EL 330UF 4.0WV		C622			CK73FB0J106K	CHIP C 10UF K	

E2 : DNX7220 (Europe)
 K1 : DDX712 K2 : DNX7120 (North America)
 X2 : DDX7032 X3 : DNX7320 (Australia) R2 : DDX7032 (Latin America)
 M2 : DDX7032 M4 : DDX7032M M5 : DNX7320 (Other Areas)

△ Indicates safety critical components.

PARTS LIST

VIDEO CONTROL UNIT (X15-117x-xx)

Ref. No.	Add	New	Parts No.	Description	Destination	Ref. No.	Add	New	Parts No.	Description	Destination
C623,624			CK73GB1C104K	CHIP C 0.10UF K	K1M2M4 X2R2	L200			L33-2370-05	CHOKE COIL 10UH	
C625			CK73GB1H222K	CHIP C 2200PF K		L201,202			L33-2369-05	CHOKE COIL 10UH	
C627			CK73GB1H222K	CHIP C 2200PF K		L203			L33-2455-05	CHOKE COIL 10UH	
C628			CK73GB1C104K	CHIP C 0.10UF K		L204			L33-2369-05	CHOKE COIL 10UH	
C628			CK73GB1C104K	CHIP C 0.10UF K		L205,206			L33-2455-05	CHOKE COIL 10UH	
C630			CK73GB1H222K	CHIP C 2200PF K		L207		L33-2417-05	CHOKE COIL 10UH		
C633			CK73GB1A105K	CHIP C 1.0UF K		L401,402		L92-0332-05	CHIP FERRITE		
C634			CK73GB1H222K	CHIP C 2200PF K		L850		L33-2369-05	CHOKE COIL 10UH		
C635			CK73GB1A105K	CHIP C 1.0UF K		X400		L77-2921-05	CRYSTAL RESONATOR (32.768KHZ)		
C636,637			CE32BJ1C220M	CHIP EL 22UF 16WV		X401	*	L77-2975-05	CRYSTAL RESONATOR (11.0592MHZ)		
C638			CK73GB1A105K	CHIP C 1.0UF K		Q	2D	N09-6498-05	MACHINE SCREW (M3.0X11)		
C640,641			CK73GB1A105K	CHIP C 1.0UF K		CP401,402		RK74HB1J101J	CHIP-COM 100 J 1/16W		
C650			CK73GB1H222K	CHIP C 2200PF K		CP404		RK74HB1J101J	CHIP-COM 100 J 1/16W		
C700-702			CK73GB1H103K	CHIP C 0.010UF K		CP406		RK74HB1J101J	CHIP-COM 100 J 1/16W		
C703,704			CK73GB1C104K	CHIP C 0.10UF K		R1		RK73GH2A104D	CHIP R 100K D 1/10W		
C705			CK73GB1H103K	CHIP C 0.010UF K		R2		RK73GH2A513D	CHIP R 51K D 1/10W		
C706,707			CK73GB1C104K	CHIP C 0.10UF K		R3		RK73GH2A333D	CHIP R 33K D 1/10W		
C708			CK73GB1H222K	CHIP C 2200PF K		R4,5		RK73GH2A334D	CHIP R 330K D 1/10W		
C709			CE32BF1E101M	CHIP EL 100UF 25WV		R6		RK73GB2A823J	CHIP R 82K J 1/10W		
C710,711			CK73GB1H103K	CHIP C 0.010UF K		R7		RK73GB2A103J	CHIP R 10K J 1/10W		
C712			CK73FB0J106K	CHIP C 10UF K		R8		RK73GH2A113D	CHIP R 11K D 1/10W		
C713-716			CK73GB1H222K	CHIP C 2200PF K		R9,10		RK73GB2A224J	CHIP R 220K J 1/10W		
C850			CK73FB1A225K	CHIP C 2.2UF K		R11		RK73GH2A104D	CHIP R 100K D 1/10W		
C851-854			CK73GB1C104K	CHIP C 0.10UF K		R12		RK73GB2A100J	CHIP R 10 J 1/10W		
C855			CK73FB0J106K	CHIP C 10UF K		R13		RK73GH2A683D	CHIP R 68K D 1/10W		
C856			CK73GB1C104K	CHIP C 0.10UF K		R14,15		RK73GB2A224J	CHIP R 220K J 1/10W		
C857			CK73FB0J106K	CHIP C 10UF K		R16		RK73GB2A000J	CHIP R 0.0 J 1/10W		
C858			CE32BF1C101M	CHIP EL 100UF 16WV		R17		RK73GB2A224J	CHIP R 220K J 1/10W		
C859,860			CK73GB1C104K	CHIP C 0.10UF K		R18		RK73GB2A333J	CHIP R 33K J 1/10W		
C861			CC73GCH1H101J	CHIP C 100PF J		R20		RK73GB2A100J	CHIP R 10 J 1/10W		
C862-868			CK73GB1H103K	CHIP C 0.010UF K		R23		RK73GB2A224J	CHIP R 220K J 1/10W		
C869			CK73FB0J106K	CHIP C 10UF K		R24		RK73GB2A304J	CHIP R 300K J 1/10W		
C870-873			CK73GB1H222K	CHIP C 2200PF K		R25		RK73GB2A224J	CHIP R 220K J 1/10W		
CN3			E41-2771-05	PIN ASSY		R34		RK73GB2A202J	CHIP R 2.0K J 1/10W		
CN500		*	E41-2248-05	PIN ASSY		R35		RK73GB2A101J	CHIP R 100 J 1/10W		
CN501			E41-1476-05	PIN ASSY		R38		RK73GB2A154J	CHIP R 150K J 1/10W		
CN502			E41-1486-05	PIN ASSY		R43		RK73GB2A164J	CHIP R 160K J 1/10W		
CN700			E41-2608-05	FLAT CABLE CONNECTOR		R44		RK73FB2B000J	CHIP R 0.0 J 1/8W		
CN701			E41-2979-05	FLAT CABLE CONNECTOR		R50		RK73GB2A224J	CHIP R 220K J 1/10W		
CN850			E41-2735-05	PIN ASSY		R57		RK73GB2A563J	CHIP R 56K J 1/10W		
CN851			E41-2980-05	FLAT CABLE CONNECTOR		R58		RK73GB2A224J	CHIP R 220K J 1/10W		
CN852			E41-2979-05	FLAT CABLE CONNECTOR		R65		RK73GB2A302J	CHIP R 3.0K J 1/10W		
J501			E11-0625-05	PHONE JACK (LGY6502-0900)		R66		RK73GB2A101J	CHIP R 100 J 1/10W		
J502			E11-0656-05	PHONE JACK (3.5D YELLOW)		R67		RK73FB2B000J	CHIP R 0.0 J 1/8W		
J503			E11-0625-05	PHONE JACK (LGY6502-0900)		R69		RK73GB2A332J	CHIP R 3.3K J 1/10W		
J503			E11-0625-05	PHONE JACK (LGY6502-0900)		R70		RK73GH2A113D	CHIP R 11K D 1/10W		
320	2D		F09-2923-05	FAN		R71		RK73GB2A272J	CHIP R 2.7K J 1/10W		
F3			F53-0297-05	FUSE (UL,CSA) 1.6A		R72		RK73FB2B000J	CHIP R 0.0 J 1/8W		
F700			F53-0297-05	FUSE (UL,CSA) 1.6A		R73		RK73GH2A113D	CHIP R 11K D 1/10W		
L1			L33-2358-05	CHOKE COIL		R74		RK73GB2A000J	CHIP R 0.0 J 1/10W		
L2			L41-4795-33	SMALL FIXED INDUCTOR (4.7U)		R75		RK73GB2A302J	CHIP R 3.0K J 1/10W		
L3			L33-2369-05	CHOKE COIL 10UH		R76		RK73GB2A101J	CHIP R 100 J 1/10W		
L4		*	L33-2475-05	CHOKE COIL 22UH	E2	R77		RK73GB2A000J	CHIP R 0.0 J 1/10W		
L4		*	L33-2475-05	CHOKE COIL 22UH	K2M5X3	R87		RK73GB2A000J	CHIP R 0.0 J 1/10W		

E2 : DNX7220 (Europe)

K1 : DDX712 K2 : DNX7120 (North America)

X2 : DDX7032 X3 : DNX7320 (Australia) R2 : DDX7032 (Latin America)

M2 : DDX7032 M4 : DDX7032M M5 : DNX7320 (Other Areas)

△ Indicates safety critical components.

PARTS LIST

VIDEO CONTROL UNIT (X15-117x-xx)

Ref. No.	Add	New	Parts No.	Description	Destination	Ref. No.	Add	New	Parts No.	Description	Destination
R88			RK73GB2A332J	CHIP R 3.3K J 1/10W		R306,307			R92-5158-05	CHIP R 0.022 J 1/4W	
R90			RK73GH2A113D	CHIP R 11K D 1/10W		R308-311			RK73GB2A000J	CHIP R 0.0 J 1/10W	
R91			RK73GB2A272J	CHIP R 2.7K J 1/10W		R312			RK73EB2E000J	CHIP R 0.0 J 1/4W	
R92			RK73GH2A113D	CHIP R 11K D 1/10W		R314			RK73GB2A000J	CHIP R 0.0 J 1/10W	
R93			RK73GB2A000J	CHIP R 0.0 J 1/10W		R400,401			RK73HB1J472J	CHIP R 4.7K J 1/16W	
R94			RK73GB2A473J	CHIP R 47K J 1/10W		R402			RK73HB1J103J	CHIP R 10K J 1/16W	
R95			RK73GB2A562J	CHIP R 5.6K J 1/10W		R403			RK73HB1J473J	CHIP R 47K J 1/16W	
R96			RK73GB2A472J	CHIP R 4.7K J 1/10W		R406			RK73HB1J103J	CHIP R 10K J 1/16W	K1M2M4
R97			RK73GB2A561J	CHIP R 560 J 1/10W		R406			RK73HB1J103J	CHIP R 10K J 1/16W	X2R2
R98			RK73GB2A000J	CHIP R 0.0 J 1/10W		R406,407			RK73HB1J103J	CHIP R 10K J 1/16W	E2
R100			RK73GB2A000J	CHIP R 0.0 J 1/10W		R406,407			RK73HB1J103J	CHIP R 10K J 1/16W	K2M5X3
R101			RK73GB2A202J	CHIP R 2.0K J 1/10W		R408-410			RK73HB1J103J	CHIP R 10K J 1/16W	R2X2
R103			RK73GB2A101J	CHIP R 100 J 1/10W		R408-411			RK73HB1J103J	CHIP R 10K J 1/16W	M2M4
R105			RK73GB2A000J	CHIP R 0.0 J 1/10W		R408,409			RK73HB1J103J	CHIP R 10K J 1/16W	K1
R200			RK73GB2A000J	CHIP R 0.0 J 1/10W		R409			RK73HB1J103J	CHIP R 10K J 1/16W	K2
R203-205			RK73GH2A561D	CHIP R 560 D 1/10W		R409-411			RK73HB1J103J	CHIP R 10K J 1/16W	M5
R208			RK73GB2A000J	CHIP R 0.0 J 1/10W		R409,410			RK73HB1J103J	CHIP R 10K J 1/16W	E2X3
R210			RK73GB2A333J	CHIP R 33K J 1/10W		R411			RK73HB1J103J	CHIP R 10K J 1/16W	K1K2
R215			RK73GB2A683J	CHIP R 68K J 1/10W		R411			RK73HB1J303J	CHIP R 30K J 1/16W	X2X3
R218			RK73GB2A103J	CHIP R 10K J 1/10W		R411			RK73HB1J332J	CHIP R 3.3K J 1/16W	E2
R222			RK73GH2A622D	CHIP R 6.2K D 1/10W		R412			RK73HB1J000J	CHIP R 0.0 J 1/16W	
R233			RK73GH2A912D	CHIP R 9.1K D 1/10W		R413,414			RK73HB1J101J	CHIP R 100 J 1/16W	
R234			RK73GH2A333D	CHIP R 33K D 1/10W		R416-418			RK73HB1J473J	CHIP R 47K J 1/16W	
R238			RK73GH2A561D	CHIP R 560 D 1/10W		R419			RK73GB2A101J	CHIP R 100 J 1/10W	
R240			RK73GB2A000J	CHIP R 0.0 J 1/10W		R420			RK73HB1J473J	CHIP R 47K J 1/16W	
R243			RK73GB2A000J	CHIP R 0.0 J 1/10W		R422			RK73HB1J473J	CHIP R 47K J 1/16W	
R245			RK73GH2A681D	CHIP R 680 D 1/10W		R423			RK73HB1J104J	CHIP R 100K J 1/16W	
R246			RK73GH2A562D	CHIP R 5.6K D 1/10W		R425			RK73HB1J331J	CHIP R 330 J 1/16W	
R247			RK73GH2A333D	CHIP R 33K D 1/10W		R426			RK73HB1J223J	CHIP R 22K J 1/16W	
R248-250			RK73GB2A000J	CHIP R 0.0 J 1/10W		R427-433			RK73HB1J101J	CHIP R 100 J 1/16W	
R257			RK73GH2A561D	CHIP R 560 D 1/10W		R434			RK73HB1J473J	CHIP R 47K J 1/16W	
R258			RK73GB2A683J	CHIP R 68K J 1/10W		R435-437			RK73HB1J101J	CHIP R 100 J 1/16W	
R266			RK73GB2A103J	CHIP R 10K J 1/10W		R438			RK73HB1J123J	CHIP R 12K J 1/16W	
R268			RK73GH2A103D	CHIP R 10K D 1/10W		R439			RK73HB1J103J	CHIP R 10K J 1/16W	
R273			RK73GH2A333D	CHIP R 33K D 1/10W		R440			RK73HB1J473J	CHIP R 47K J 1/16W	
R274,275			RK73GB2A000J	CHIP R 0.0 J 1/10W		R441-452			RK73HB1J101J	CHIP R 100 J 1/16W	
R276			RK73GH2A391D	CHIP R 390 D 1/10W		R453,454			RK73HB1J473J	CHIP R 47K J 1/16W	
R277			RK73GB2A683J	CHIP R 68K J 1/10W		R455-457			RK73HB1J101J	CHIP R 100 J 1/16W	
R278			RK73GH2A562D	CHIP R 5.6K D 1/10W		R458			RK73HB1J472J	CHIP R 4.7K J 1/16W	
R280			RK73GH2A333D	CHIP R 33K D 1/10W		R459			RK73HB1J101J	CHIP R 100 J 1/16W	
R281			RK73GB2A000J	CHIP R 0.0 J 1/10W		R460			RK73HB1J473J	CHIP R 47K J 1/16W	
R283,284			RK73GB2A000J	CHIP R 0.0 J 1/10W		R461			RK73HB1J104J	CHIP R 100K J 1/16W	
R285			RK73GB2A220J	CHIP R 22 J 1/10W		R462-464			RK73HB1J101J	CHIP R 100 J 1/16W	
R286,287			RK73GB2A000J	CHIP R 0.0 J 1/10W		R465			RK73HB1J472J	CHIP R 4.7K J 1/16W	
R288			RK73EB2E100J	CHIP R 10 J 1/4W		R466			RK73HB1J104J	CHIP R 100K J 1/16W	
R289,290			RK73GB2A220J	CHIP R 22 J 1/10W		R467,468			RK73HB1J473J	CHIP R 47K J 1/16W	
R291			RK73GB2A000J	CHIP R 0.0 J 1/10W		R469			RK73HB1J103J	CHIP R 10K J 1/16W	
R293			RK73EB2E100J	CHIP R 10 J 1/4W		R470-473			RK73HB1J101J	CHIP R 100 J 1/16W	
R294			RK73GB2A000J	CHIP R 0.0 J 1/10W		R474			RK73GB2A100J	CHIP R 10 J 1/10W	
R295			RK73GB2A220J	CHIP R 22 J 1/10W		R475			RK73HB1J101J	CHIP R 100 J 1/16W	
R296,297			R92-5160-05	CHIP R 0.047 J 1/4W		R476			RK73HB1J103J	CHIP R 10K J 1/16W	
R298,299			RK73EB2E100J	CHIP R 10 J 1/4W		R477			RK73HB1J152J	CHIP R 1.5K J 1/16W	
R300			R92-5158-05	CHIP R 0.022 J 1/4W		R478-480			RK73HB1J101J	CHIP R 100 J 1/16W	
R302			RK73EB2E100J	CHIP R 10 J 1/4W		R481			RK73HB1J104J	CHIP R 100K J 1/16W	
R304			R92-5159-05	CHIP R 0.033 J 1/4W		R482			RK73HB1J000J	CHIP R 0.0 J 1/16W	

E2 : DNX7220 (Europe)
 K1 : DDX712 K2 : DNX7120 (North America)
 X2 : DDX7032 X3 : DNX7320 (Australia) R2 : DDX7032 (Latin America)
 M2 : DDX7032 M4 : DDX7032M M5 : DNX7320 (Other Areas)

△ Indicates safety critical components.

PARTS LIST

VIDEO CONTROL UNIT (X15-117x-xx)

Ref. No.	A d d	N e w	Parts No.	Description	Desti- nation	Ref. No.	A d d	N e w	Parts No.	Description	Desti- nation
R483-485			RK73HB1J101J	CHIP R 100 J 1/16W		R607-609			RK73GB2A105J	CHIP R 1.0M J 1/10W	
R486			RK73HB1J000J	CHIP R 0.0 J 1/16W		R610,611			RK73GB2A000J	CHIP R 0.0 J 1/10W	
R490			RK73HB1J104J	CHIP R 100K J 1/16W		R612			RK73GH2A102D	CHIP R 1.0K D 1/10W	
R491,492			RK73HB1J101J	CHIP R 100 J 1/16W		R613			RK73GB2A101J	CHIP R 100 J 1/10W	
R496			RK73HB1J104J	CHIP R 100K J 1/16W		R614			RK73GB2A751J	CHIP R 750 J 1/10W	
R497,498			RK73HB1J473J	CHIP R 47K J 1/16W		R615			RK73GB2A105J	CHIP R 1.0M J 1/10W	
R499			RK73HB1J103J	CHIP R 10K J 1/16W		R616			RK73GH2A102D	CHIP R 1.0K D 1/10W	
R502			RK73GB2A101J	CHIP R 100 J 1/10W		R617			RK73GB2A102J	CHIP R 1.0K J 1/10W	
R503			RK73GB2A100J	CHIP R 10 J 1/10W	E2	R618			RK73GB2A101J	CHIP R 100 J 1/10W	
R503			RK73GB2A100J	CHIP R 10 J 1/10W	K2M5X3	R619			RK73GB2A751J	CHIP R 750 J 1/10W	
R505			RK73GB2A104J	CHIP R 100K J 1/10W	E2	R620			RK73GB2A105J	CHIP R 1.0M J 1/10W	
R505			RK73GB2A104J	CHIP R 100K J 1/10W	K2M5X3	R622,623			RK73GB2A105J	CHIP R 1.0M J 1/10W	
R506			RK73GB2A101J	CHIP R 100 J 1/10W	E2	R626			RK73GB2A102J	CHIP R 1.0K J 1/10W	
R506			RK73GB2A101J	CHIP R 100 J 1/10W	K2M5X3	R627-629			RK73GB2A105J	CHIP R 1.0M J 1/10W	
R507			RK73GB2A100J	CHIP R 10 J 1/10W		R630,631			RK73GB2A101J	CHIP R 100 J 1/10W	
R518			RK73GB2A131J	CHIP R 130 J 1/10W		R632			RK73GB2A751J	CHIP R 750 J 1/10W	
R519			RK73GB2A222J	CHIP R 2.2K J 1/10W		R633,634			RK73GB2A101J	CHIP R 100 J 1/10W	
R520			RK73GB2A000J	CHIP R 0.0 J 1/10W		R635			RK73GB2A102J	CHIP R 1.0K J 1/10W	
R521			RK73GB2A101J	CHIP R 100 J 1/10W		R636,637			RK73GB2A4R7J	CHIP R 4.7 J 1/10W	
R522			RK73GB2A473J	CHIP R 47K J 1/10W		R638			RK73GB2A000J	CHIP R 0.0 J 1/10W	E2
R523			RK73GB2A104J	CHIP R 100K J 1/10W	E2	R638			RK73GB2A000J	CHIP R 0.0 J 1/10W	K2M5X3
R523			RK73GB2A104J	CHIP R 100K J 1/10W	K2M5X3	R639			RK73GB2A101J	CHIP R 100 J 1/10W	
R524,525			RK73GB2A101J	CHIP R 100 J 1/10W		R640			RK73GB2A000J	CHIP R 0.0 J 1/10W	
R527			RK73EB2E101J	CHIP R 100 J 1/4W		R641-643			RK73GB2A272J	CHIP R 2.7K J 1/10W	
R528			RK73FB2B101J	CHIP R 100 J 1/8W		R645			RK73GB2A202J	CHIP R 2.0K J 1/10W	K1M2M4
R529			RK73GB2A750J	CHIP R 75 J 1/10W		R645			RK73GB2A202J	CHIP R 2.0K J 1/10W	X2R2
R530-532			RK73EB2E100J	CHIP R 10 J 1/4W		R646			RK73GB2A473J	CHIP R 47K J 1/10W	
R533			RK73GB2A223J	CHIP R 22K J 1/10W		R647,648			RK73GB2A101J	CHIP R 100 J 1/10W	
R534			RK73GB2A473J	CHIP R 47K J 1/10W		R649			RK73GB2A473J	CHIP R 47K J 1/10W	
R535			RK73GB2A101J	CHIP R 100 J 1/10W		R650			RK73GB2A101J	CHIP R 100 J 1/10W	
R536			RK73EB2E100J	CHIP R 10 J 1/4W		R651,652			RK73GB2A000J	CHIP R 0.0 J 1/10W	
R537			RK73GB2A223J	CHIP R 22K J 1/10W		R653			RK73GB2A473J	CHIP R 47K J 1/10W	
R540			RK73GB2A101J	CHIP R 100 J 1/10W		R654,655			RK73GB2A103J	CHIP R 10K J 1/10W	
R541-543			RK73GB2A473J	CHIP R 47K J 1/10W		R656			RK73GB2A562J	CHIP R 5.6K J 1/10W	K1M2M4
R544,545			RK73GB2A101J	CHIP R 100 J 1/10W		R656			RK73GB2A562J	CHIP R 5.6K J 1/10W	X2R2
R546			RK73HB1J101J	CHIP R 100 J 1/16W		R657,658			RK73GB2A101J	CHIP R 100 J 1/10W	K1M2M4
R550			RK73GB2A473J	CHIP R 47K J 1/10W		R657,658			RK73GB2A101J	CHIP R 100 J 1/10W	X2R2
R551,552			RK73HB1J000J	CHIP R 0.0 J 1/16W		R658			RK73GB2A101J	CHIP R 100 J 1/10W	E2
R553			RK73HB1J472J	CHIP R 4.7K J 1/16W		R658			RK73GB2A101J	CHIP R 100 J 1/10W	K2M5X3
R554			RK73HB1J103J	CHIP R 10K J 1/16W		R660			RK73GB2A103J	CHIP R 10K J 1/10W	
R555			RK73HB1J473J	CHIP R 47K J 1/16W		R661-663			RK73GB2A000J	CHIP R 0.0 J 1/10W	
R556,557			RK73GB2A473J	CHIP R 47K J 1/10W		R664			RK73GH2A151D	CHIP R 150 D 1/10W	
R558			RK73GB2A103J	CHIP R 10K J 1/10W		R665			RK73GB2A101J	CHIP R 100 J 1/10W	
R559			RK73GB2A223J	CHIP R 22K J 1/10W		R666			RK73GB2A000J	CHIP R 0.0 J 1/10W	
R560			RK73GB2A181J	CHIP R 180 J 1/10W		R669			RK73HB1J561J	CHIP R 560 J 1/16W	
R561,562			RK73GB2A473J	CHIP R 47K J 1/10W		R670			RK73HB1J102J	CHIP R 1.0K J 1/16W	
R564,565			RK73HB1J101J	CHIP R 100 J 1/16W		R676			RK73GB2A102J	CHIP R 1.0K J 1/10W	
R566-570			RK73HB1J473J	CHIP R 47K J 1/16W		R677	*		RK73GH2A820D	CHIP R 82 D 1/10W	
R571,572			RK73GB2A202J	CHIP R 2.0K J 1/10W		R678			RK73GB2A103J	CHIP R 10K J 1/10W	
R573			RK73GB2A911J	CHIP R 910 J 1/10W		R681			RK73GB2A000J	CHIP R 0.0 J 1/10W	
R600-602			RK73GH2A102D	CHIP R 1.0K D 1/10W		R689			RK73GB2A101J	CHIP R 100 J 1/10W	
R603			RK73GB2A105J	CHIP R 1.0M J 1/10W		R702			RK73GB2A000J	CHIP R 0.0 J 1/10W	
R604			RK73GB2A000J	CHIP R 0.0 J 1/10W		R703,704			RK73GB2A100J	CHIP R 10 J 1/10W	
R605			RK73GB2A105J	CHIP R 1.0M J 1/10W		R706-708			RK73GB2A101J	CHIP R 100 J 1/10W	
R606			RK73GH2A102D	CHIP R 1.0K D 1/10W		R709			RK73EB2E750J	CHIP R 75 J 1/4W	

E2 : DNX7220 (Europe)

K1 : DDX712 K2 : DNX7120 (North America)

X2 : DDX7032 X3 : DNX7320 (Australia) R2 : DDX7032 (Latin America)

M2 : DDX7032 M4 : DDX7032M M5 : DNX7320 (Other Areas)

△ Indicates safety critical components.

PARTS LIST

VIDEO CONTROL UNIT (X15-117x-xx)

Ref. No.	Add	New	Parts No.	Description	Destination	Ref. No.	Add	New	Parts No.	Description	Destination
R710			RK73GB2A331J	CHIP R 330 J 1/10W		IC612		*	74AHC1GU04GW	MOS-IC	X2R2
R711			RK73GB2A100J	CHIP R 10 J 1/10W		IC700			LB1836M-TLM-E	ANALOGUE IC	
R712			RK73GB2A101J	CHIP R 100 J 1/10W		Q1			DTC144EUA	DIGITAL TRANSISTOR	
R714-725			RK73GB2A101J	CHIP R 100 J 1/10W		Q2			2SA1576A	TRANSISTOR	
R726			RK73GB2A000J	CHIP R 0.0 J 1/10W		Q3			DTC114YUA	DIGITAL TRANSISTOR	
R727,728			RK73GB2A100J	CHIP R 10 J 1/10W		Q4			2SC4081	TRANSISTOR	
R842			RK73GB2A101J	CHIP R 100 J 1/10W		Q5			2SA1576A	TRANSISTOR	
R853			RK73GB2A471J	CHIP R 470 J 1/10W		Q11			DTC114YUA	DIGITAL TRANSISTOR	
R854			RK73GB2A473J	CHIP R 47K J 1/10W		Q12			DTA114TUA	DIGITAL TRANSISTOR	
R856			RK73GB2A473J	CHIP R 47K J 1/10W		Q13			2SA1576A	TRANSISTOR	
R858			RK73GB2A471J	CHIP R 470 J 1/10W		Q14			2SC4081	TRANSISTOR	
R859			RK73GB2A101J	CHIP R 100 J 1/10W		Q15			TPC8110-F	FET	
R860,861			RK73GB2A100J	CHIP R 10 J 1/10W		Q16			2SA1576A	TRANSISTOR	
R862			RK73GB2A101J	CHIP R 100 J 1/10W		Q17			2SC4081	TRANSISTOR	
R863			RK73GB2A470J	CHIP R 47 J 1/10W		Q18			DTA114EUA	DIGITAL TRANSISTOR	
R909			RK73FB2B000J	CHIP R 0.0 J 1/8W		Q19,20			2SC4617	TRANSISTOR	
R999			RK73GB2A000J	CHIP R 0.0 J 1/10W	E2	Q21			2SB1184	TRANSISTOR	
R999			RK73GB2A000J	CHIP R 0.0 J 1/10W	K2M5X3	Q22			2SC4617	TRANSISTOR	
D2			1SR154-400	DIODE		Q23			2SA1774	TRANSISTOR	
D3			EP05Q04	DIODE		Q28			2SB1184	TRANSISTOR	
D200-203			1SS357-F	DIODE		Q29			2SC4081	TRANSISTOR	
D501			DAP202U	DIODE		Q31			2SC4081	TRANSISTOR	
D505,506			AVRM16120M6AB	VARIATOR		Q32			2SA1576A	TRANSISTOR	
D511			AVRM16120M6AB	VARIATOR		Q35			2SB1184	TRANSISTOR	
D512,513			AVRM16270MAAB	VARIATOR		Q37			2SC4081	TRANSISTOR	
D700,701			AVRM16180M6AB	VARIATOR		Q38			2SA1576A	TRANSISTOR	
D702-710			AVRM16120M6AB	VARIATOR		Q39			2SC4081	TRANSISTOR	
D711			DA204U	DIODE		Q44			2SB1689	TRANSISTOR	
D712			AVRM16270MAAB	VARIATOR		Q45			DTC114YUA	DIGITAL TRANSISTOR	
D850			DAP202U	DIODE		Q46			2SC4081	TRANSISTOR	
D851			02DZ9.1F-Z	ZENER DIODE		Q47			2SB1184	TRANSISTOR	
IC3			SI-3050LUS	ANALOGUE IC		Q48			2SB1689	TRANSISTOR	
IC4			R1114N331B-TR	ANALOGUE IC (3.3V LF)		Q49			DTC114YUA	DIGITAL TRANSISTOR	
IC8			XC6219B332PR	ANALOGUE IC		Q200			DTC144EUA	DIGITAL TRANSISTOR	
IC200,201			LTC3728LEGN	ANALOGUE IC		Q201			DTC114YUA	DIGITAL TRANSISTOR	
IC400			W05-1260-00	ROM IC	K1K2	Q202-204			DTC144EUA	DIGITAL TRANSISTOR	
IC400			W05-1261-00	ROM IC	E2	Q205-208			HAT2218R-E	DUAL FET	
IC400			W05-1261-00	ROM IC	M4	Q400			2SA1576A	TRANSISTOR	
IC400			W05-1262-00	ROM IC	M2M5	Q402			DTC144EUA	DIGITAL TRANSISTOR	
IC400			W05-1263-00	ROM IC	R2X2X3	Q403			DTA114YUA	DIGITAL TRANSISTOR	
IC402			S-80835CNNB-G	MOS-IC		Q404			DTC114YUA	DIGITAL TRANSISTOR	
IC404		*	30878MJB24GP	MICROCONTROLLER IC		Q500			DTA114YUA	DIGITAL TRANSISTOR	E2
IC405			74AHCT1G08GW	MOS-IC		Q500			DTA114YUA	DIGITAL TRANSISTOR	K2M5X3
IC501			NJM2505AF-ZB	ANALOGUE IC		Q501			2SA1576A	TRANSISTOR	E2
IC502			TC4052BFT	MOS-IC		Q501			2SA1576A	TRANSISTOR	K2M5X3
IC504			NJM2794RB2ZB	ANALOGUE IC		Q502-505			DTC114YUA	DIGITAL TRANSISTOR	E2
IC505			TC4052BFT	MOS-IC		Q502-505			DTC114YUA	DIGITAL TRANSISTOR	K2M5X3
IC600,601			NJM2286V-ZB	ANALOGUE IC		Q502,503			DTC114YUA	DIGITAL TRANSISTOR	K1M2M4
IC604		*	74AHC1GU04GW	MOS-IC	K1M2M4	Q502,503			DTC114YUA	DIGITAL TRANSISTOR	X2R2
IC604		*	74AHC1GU04GW	MOS-IC	X2R2	Q505			DTC114YUA	DIGITAL TRANSISTOR	K1M2M4
IC606			TC7WH157FU-F	MOS-IC		Q505			DTC114YUA	DIGITAL TRANSISTOR	X2R2
IC608			74LVC3G34DP	MOS-IC		Q506			2SC4081	TRANSISTOR	
IC609			AN15885A-VF	ANALOGUE IC		Q507,508			DTC114YUA	DIGITAL TRANSISTOR	
IC612		*	74AHC1GU04GW	MOS-IC	K1M2M4	Q509			2SA1576A	TRANSISTOR	
						Q510			2SC4081	TRANSISTOR	

E2 : DNX7220 (Europe)
 K1 : DDX712 K2 : DNX7120 (North America)
 X2 : DDX7032 X3 : DNX7320 (Australia) R2 : DDX7032 (Latin America)
 M2 : DDX7032 M4 : DDX7032M M5 : DNX7320 (Other Areas)

△ Indicates safety critical components.

PARTS LIST

VIDEO CONTROL UNIT (X15-117x-xx)

Ref. No.	Ad	New	Parts No.	Description	Destination
Q600-602 Q603-605 Q606 Q700 Q850,851			2SA1576A 2SC4081 2SA1576A 2SA1576A DTC643TU	TRANSISTOR TRANSISTOR TRANSISTOR TRANSISTOR DIGITAL TRANSISTOR	
Q852			DTA114YUA	DIGITAL TRANSISTOR	
SWITCH UNIT (X16-6280-10)					
D1-21 D22		*	B30-1795-05 B30-1566-05	LED (1608 BLUE) LED (1608 RED)	
C1,2			CK73GB1A105K	CHIP C 1.0UF K	
S1 S2-8		*	S70-0948-05 S70-0950-05	TACT SWITCH TACT SWITCH	
D51-73 IC1			AVRM16120M6AB GP1US301XP	VARISTOR ANALOGUE IC	
SUB-CIRCUIT UNIT (X16-6360-10)					
C1 C1			CK73GB1A105K CK73GB1A105K	CHIP C 1.0UF K CHIP C 1.0UF K	E2 K2M5X3
CN1 CN1 J1 J1		*	E41-2451-05 E41-2451-05 E68-0025-05 E68-0025-05	FLAT CABLE CONNECTOR FLAT CABLE CONNECTOR JACK (SD CARD SLOT) JACK (SD CARD SLOT)	E2 K2M5X3 E2 K2M5X3
CONTROL CIRCUIT UNIT (X29-4490-11)					
C1 C11 C14 C15 C16			CK73GB1H103K CK73FB1C105K CK73FB1C106K CK73FB1C105K CE32BJ1C100M	CHIP C 0.010UF K CHIP C 1.0UF K CHIP C 10UF K CHIP C 1.0UF K CHIP EL 10UF 16WV	
C17 C18,19 C20 C21 C24			CK73GB1H102K CK73GB1H104K CK73GB1H102K CE32BJ1C100M CD04AT0J331M	CHIP C 1000PF K CHIP C 0.10UF K CHIP C 1000PF K CHIP EL 10UF 16WV ELECTRO 330UF 6.3WV	
C27-29 C100-102 C104 C107,108 C110			CK73GB1H104K CK73GB1H104K CE32BJ1C100M CK73GB1H102K CE32BJ1C100M	CHIP C 0.10UF K CHIP C 0.10UF K CHIP EL 10UF 16WV CHIP C 1000PF K CHIP EL 10UF 16WV	
C114 C116 C118 C120 C124			CE32BJ1C100M CK73GB1H102K CK73GB1H102K CE32BJ1C100M CK73EB1C106K	CHIP EL 10UF 16WV CHIP C 1000PF K CHIP C 1000PF K CHIP EL 10UF 16WV CHIP C 10UF K	
C125 C128 C130 C200 C201			CK73GB1H102K CK73GB1H102K CK73EB1C106K CK73GB1H473K CK73EB1E105K	CHIP C 1000PF K CHIP C 1000PF K CHIP C 10UF K CHIP C 0.047UF K CHIP C 1.0UF K	
C202 C203			CK73GB1H473K CK73EB1E105K	CHIP C 0.047UF K CHIP C 1.0UF K	
CN1 CN100		*	E41-2959-05 E41-2964-05	PIN ASSY PIN ASSY	

Ref. No.	Ad	New	Parts No.	Description	Destination
CN300 CN302 J200 WH1			E41-2590-05 E40-6469-05 E58-1067-05 E39-0985-15	FLAT CABLE CONNECTOR PIN ASSY RECTANGULAR RECEPTACLE WIRING HARNESS	
R4 R6 R10 R11 R15		*	RK73GB2A102J RK73GB2A000J RK73EB2E100J RK73FB2B000J RK73EB2E100J	CHIP R 1.0K J 1/10W CHIP R 0.0 J 1/10W CHIP R 10 J 1/4W CHIP R 0.0 J 1/8W CHIP R 10 J 1/4W	
R16 R19 R20 R22 R24			RK73GB2A000J RK73FB2B000J RK73GB2A750J RK73GH2A750D RK73GB2A000J	CHIP R 0.0 J 1/10W CHIP R 0.0 J 1/8W CHIP R 75 J 1/10W CHIP R 75 D 1/10W CHIP R 0.0 J 1/10W	
R30 R36 R40 R41 R43			RK73FB2B000J RK73GB2A000J RK73EB2E100J RK73EB2E4R7J RK73EB2E100J	CHIP R 0.0 J 1/8W CHIP R 0.0 J 1/10W CHIP R 10 J 1/4W CHIP R 4.7 J 1/4W CHIP R 10 J 1/4W	
R46 R47 R48 R49 R51			RK73FB2B101J RK73GB2A471J RK73EB2E750J RK73GB2A223J RK73GB2A223J	CHIP R 100 J 1/8W CHIP R 470 J 1/10W CHIP R 75 J 1/4W CHIP R 22K J 1/10W CHIP R 22K J 1/10W	
R53 R54 R57 R58,59 R102			RK73FB2B101J RK73GB2A471J RK73GB2A000J RK73GB2A223J RK73EB2E101J	CHIP R 100 J 1/8W CHIP R 470 J 1/10W CHIP R 0.0 J 1/10W CHIP R 22K J 1/10W CHIP R 100 J 1/4W	
R103 R106 R109 R113 R117			RK73GB2A471J RK73GB2A223J RK73GB2A223J RK73GB2A471J RK73EB2E101J	CHIP R 470 J 1/10W CHIP R 22K J 1/10W CHIP R 22K J 1/10W CHIP R 470 J 1/10W CHIP R 100 J 1/4W	
R119 R120 R125 R129 R132			RK73EB2E101J RK73GB2A471J RK73GB2A223J RK73GB2A223J RK73GB2A000J	CHIP R 100 J 1/4W CHIP R 470 J 1/10W CHIP R 22K J 1/10W CHIP R 22K J 1/10W CHIP R 0.0 J 1/10W	
R133 R134 R138 R139 R141			RK73GB2A471J RK73EB2E101J RK73EB2E101J RK73GB2A471J RK73GB2A223J	CHIP R 470 J 1/10W CHIP R 100 J 1/4W CHIP R 100 J 1/4W CHIP R 470 J 1/10W CHIP R 22K J 1/10W	
R146 R149 R150 R200 R201			RK73GB2A223J RK73GB2A471J RK73EB2E101J RK73GB2A472J RK73GB2A473J	CHIP R 22K J 1/10W CHIP R 470 J 1/10W CHIP R 100 J 1/4W CHIP R 4.7K J 1/10W CHIP R 47K J 1/10W	
R202 R203 R204 R205 R206,207			RK73EB2E152J RK73GB2A473J RK73GB2A621J RK73GB2A242J RK73PB2H2R0J	CHIP R 1.5K J 1/4W CHIP R 47K J 1/10W CHIP R 620 J 1/10W CHIP R 2.4K J 1/10W CHIP R 2.0 J 1/2W	

E2 : DNX7220 (Europe)

K1 : DDX712 K2 : DNX7120 (North America)

X2 : DDX7032 X3 : DNX7320 (Australia) R2 : DDX7032 (Latin America)

M2 : DDX7032 M4 : DDX7032M M5 : DNX7320 (Other Areas)

△ Indicates safety critical components.

PARTS LIST

CONTROL CIRCUIT UNIT (X29-4490-11)

Ref. No.	Add	New	Parts No.	Description	Destination
R208			RK73GB2A124J	CHIP R 120K J 1/10W	
R209			RK73GB2A103J	CHIP R 10K J 1/10W	
R210			RK73GB2A473J	CHIP R 47K J 1/10W	
R211			RK73FB2B472J	CHIP R 4.7K J 1/8W	
R212			RK73GB2A472J	CHIP R 4.7K J 1/10W	
R213			RK73GB2A473J	CHIP R 47K J 1/10W	
R214			RK73EB2E152J	CHIP R 1.5K J 1/4W	
R215			RK73GB2A473J	CHIP R 47K J 1/10W	
R216			RK73GB2A621J	CHIP R 620 J 1/10W	
R217			RK73GB2A242J	CHIP R 2.4K J 1/10W	
R218,219			RK73PB2H2R0J	CHIP R 2.0 J 1/2W	
R220			RK73GB2A124J	CHIP R 120K J 1/10W	
R221			RK73GB2A103J	CHIP R 10K J 1/10W	
R222			RK73GB2A473J	CHIP R 47K J 1/10W	
R223			RK73FB2B472J	CHIP R 4.7K J 1/8W	
R300			RK73GB2A105J	CHIP R 1.0M J 1/10W	
D1			STZ6.2N	ZENER DIODE	
D3			STZ6.2N	ZENER DIODE	
D4			UDZS8.2B	ZENER DIODE	
D5			UDZS6.2B	ZENER DIODE	
D6			UDZS8.2B	ZENER DIODE	
D10			AVRM16270MAAB	VARISTOR	
D12,13			AVRM16270MAAB	VARISTOR	
D14,15			AVRM16180M6AB	VARISTOR	
D16,17			DAP202U	DIODE	
D18			STZ6.2N	ZENER DIODE	
D100-105			AVRM16180M6AB	VARISTOR	
D106-110			DAP202U	DIODE	
D200-203			1SR154-400	DIODE	
Q4			DTC643TU	DIGITAL TRANSISTOR	
Q5			DTA144EUA	DIGITAL TRANSISTOR	
Q6			DTC643TU	DIGITAL TRANSISTOR	
Q100			DTC643TU	DIGITAL TRANSISTOR	
Q101			DTA144EUA	DIGITAL TRANSISTOR	
Q102-105			DTC643TU	DIGITAL TRANSISTOR	
Q106			DTA144EUA	DIGITAL TRANSISTOR	
Q107			DTC643TU	DIGITAL TRANSISTOR	
Q200			DTC114TUA	DIGITAL TRANSISTOR	
Q201			2SC4081	TRANSISTOR	
Q202			2SB1443	TRANSISTOR	
Q203			2SA1576A	TRANSISTOR	
Q204,205			2SC4081	TRANSISTOR	
Q206			DTC114TUA	DIGITAL TRANSISTOR	
Q207			2SC4081	TRANSISTOR	
Q208			2SB1443	TRANSISTOR	
Q209			2SA1576A	TRANSISTOR	
Q210,211			2SC4081	TRANSISTOR	
ELECTRIC UNIT (X34-598x-xx)					
C1			CE32BJ1H3R3M	CHIP EL 3.3UF 50WV	
C2			CK73FB1C105K	CHIP C 1.0UF K	
C3			CK73GB1H103K	CHIP C 0.010UF K	
C4			CK73FB1C105K	CHIP C 1.0UF K	
C5			CK73GB1H104K	CHIP C 0.10UF K	

Ref. No.	Add	New	Parts No.	Description	Destination
C6,7			CK73FB1C105K	CHIP C 1.0UF K	
C8,9			CK73GB1H103K	CHIP C 0.010UF K	
C11			CK73GB1H103K	CHIP C 0.010UF K	
C12			C90-5666-05	ELECTRO 3900UF 25WV	
C13			CK73GB1H103K	CHIP C 0.010UF K	
C14			CK73FB1E474K	CHIP C 0.47UF K	
C16			CK73GB1H103K	CHIP C 0.010UF K	
C17		*	C93-1470-05	CHIP C 15000PF K	M4E2
C100			C90-6851-05	ELECTRO 220UF 25WV	
C105			CD04AY1H100M	ELECTRO 10UF 50WV	
C110			CD04AY0J331M	ELECTRO 330UF 6.3WV	
C111			CK73FB1C105K	CHIP C 1.0UF K	E2
C113			CE32BJ1C101M	CHIP EL 100UF 16WV	E2
C114			CK73GB1C104K	CHIP C 0.10UF K	
C116			CK73FB1H334K	CHIP C 0.33UF K	
C118			CK73GB1C104K	CHIP C 0.10UF K	
C119			CK73FB1E474K	CHIP C 0.47UF K	
C121			CD04BA1C100M	ELECTRO 10UF 16WV	
C123			CK73GB1H104K	CHIP C 0.10UF K	
C124			CK73GB1H103K	CHIP C 0.010UF K	
C125			CK73FB1E474K	CHIP C 0.47UF K	
C126			CD04AT1E101M	ELECTRO 100UF 25WV	
C129			CK73GB1A105K	CHIP C 1.0UF K	
C131			C90-5692-05	ELECTRO 220UF 16WV	
C133			CK73GB1H102K	CHIP C 1000PF K	E2
C201,202			CK73FB1A225K	CHIP C 2.2UF K	
C205			CK73EB1C106K	CHIP C 10UF K	
C206			CE32BJ1C220M	CHIP EL 22UF 16WV	
C207			CK73GB1C104K	CHIP C 0.10UF K	
C208			CK73FB1A225K	CHIP C 2.2UF K	
C209			CK73GB1C104K	CHIP C 0.10UF K	
C210,211			CK73FB1A225K	CHIP C 2.2UF K	
C212			CK73EB1C106K	CHIP C 10UF K	
C213			CK73FB1A225K	CHIP C 2.2UF K	
C214			CK73HB1E103K	CHIP C 0.010UF K	
C215			CK73EB1E225K	CHIP C 2.2UF K	
C216			CK73GB1C104K	CHIP C 0.10UF K	
C217			CK73GB1A105K	CHIP C 1.0UF K	
C218-220			CK73GB1C104K	CHIP C 0.10UF K	
C221			CK73EB1C106K	CHIP C 10UF K	
C222-226			CK73HB1A104K	CHIP C 0.10UF K	
C227			CK73EB1C106K	CHIP C 10UF K	
C228			CK73GB1H103K	CHIP C 0.010UF K	
C233,234			CK73FB1C105K	CHIP C 1.0UF K	
C235,236			CE32BJ1H3R3M	CHIP EL 3.3UF 50WV	
C237			CK73FB1C105K	CHIP C 1.0UF K	
C238-241			CK73EB1E225K	CHIP C 2.2UF K	
C242,243			CK73FB1E474K	CHIP C 0.47UF K	
C244			CE32BJ1H010M	CHIP EL 1.0UF 50WV	
C247			CK73GB1H103K	CHIP C 0.010UF K	
C248			CE32BJ1V100M	CHIP EL 10UF 35WV	
C249,250			CK73FB1C105K	CHIP C 1.0UF K	
C263			CE32BJ1C470M	CHIP EL 47UF 16WV	
C264,265			C90-6779-05	ELECTRO 0.47UF 16WV	
C266			CK73GB1A105K	CHIP C 1.0UF K	

E2 : DNX7220 (Europe)
 K1 : DDX712 K2 : DNX7120 (North America)
 X2 : DDX7032 X3 : DNX7320 (Australia) R2 : DDX7032 (Latin America)
 M2 : DDX7032 M4 : DDX7032M M5 : DNX7320 (Other Areas)

△ Indicates safety critical components.

PARTS LIST

ELECTRIC UNIT (X34-598x-xx)

Ref. No.	A d d	N e w	Parts No.	Description	Desti- nation
C267,268 C272 C274 C275,276 C278			C90-6780-05 CK73GB1A105K CK73GB1C104K C90-6779-05 CE32CL1C100M	ELECTRO 1UF 16WV CHIP C 1.0UF K CHIP C 0.10UF K ELECTRO 0.47UF 16WV CHIP EL 10UF 16WV	
C500,501 C500,501 C500,501 C503 C503			CC73GCH1H100D CC73GCH1H100D CC73GCH1H100D CD04AS1V100M CD04AS1V100M	CHIP C 10PF D CHIP C 10PF D CHIP C 10PF D ELECTRO 10UF 35WV ELECTRO 10UF 35WV	K1R2M2 M4K2E2 M5 K1R2M2 M4K2E2
C503 C504 C504 C504 C505			CD04AS1V100M CK73GB1H103K CK73GB1H103K CK73GB1H103K CC73GCH1H331J	ELECTRO 10UF 35WV CHIP C 0.010UF K CHIP C 0.010UF K CHIP C 0.010UF K CHIP C 330PF J	M5 K1R2M2 M4K2E2 M5 K1R2M2
C505 C505 C506,507 C508 C509			CC73GCH1H331J CC73GCH1H331J CE32BJ1C220M CE32BJ1C100M CE32BJ1C220M	CHIP C 330PF J CHIP C 330PF J CHIP EL 22UF 16WV CHIP EL 10UF 16WV CHIP EL 22UF 16WV	M4K2E2 M5
C515 C515 C515 C516-519 C520-522			CE32BJ1C100M CE32BJ1C100M CE32BJ1C100M CK73GB1H103K CK73GB1H102K	CHIP EL 10UF 16WV CHIP EL 10UF 16WV CHIP EL 10UF 16WV CHIP C 0.010UF K CHIP C 1000PF K	K1R2M2 M4K2E2 M5 E2
C521,522 C521,522 C521,522 C524 C550			CK73GB1H102K CK73GB1H102K CK73GB1H102K CK73GB1H472K CK73GB1C104K	CHIP C 1000PF K CHIP C 1000PF K CHIP C 1000PF K CHIP C 4700PF K CHIP C 0.10UF K	K1M2M4 M5X3 X2R2K2
C551 C552,553 C600-602 C616-618 C650-652			CD04AS1C470M CK73GB1A474K CK73GB1A474K CK73GB1H104K CK73FB1C105K	ELECTRO 47UF 16WV CHIP C 0.47UF K CHIP C 0.47UF K CHIP C 0.10UF K CHIP C 1.0UF K	
C653 C654,655 C656 C701 C702			CK73GB1H103K CC73GCH1H470J CK73GB1H104K CK73GB1H102K CK73GB1C104K	CHIP C 0.010UF K CHIP C 47PF J CHIP C 0.10UF K CHIP C 1000PF K CHIP C 0.10UF K	
C703 C704 C706,707 C708,709 C710			CK73GB1H102K CD04BJ0J331M CK73GB1C104K CC73GCH1H100D CK73GB1C104K	CHIP C 1000PF K ELECTRO 330UF 6.3WV CHIP C 0.10UF K CHIP C 10PF D CHIP C 0.10UF K	
C711 C712 C903			CK73GB1A105K CK73GB1C104K CK73GB1H472K	CHIP C 1.0UF K CHIP C 0.10UF K CHIP C 4700PF K	
CN300 CN350 CN400 CN401 CN550 CN550		*	E41-2771-05 E41-2979-05 E41-2237-05 E40-6470-05 E41-2772-05 E41-2772-05	PIN ASSY FLAT CABLE CONNECTOR FLAT CABLE CONNECTOR PIN ASSY PIN ASSY PIN ASSY	 E2 K2M5X3

Ref. No.	A d d	N e w	Parts No.	Description	Desti- nation
CN700 J1 J550 J550 J600		*	E41-2248-05 E58-1043-05 E56-0864-05 E56-0864-05 E58-1034-05	PIN ASSY RECTANGULAR RECEPTACLE CYLINDRICAL RECEPTACLE CYLINDRICAL RECEPTACLE RECTANGULAR RECEPTACLE	 K1M2M4 X2R2
J650 W500 W500 W500		*	E58-1097-05 E30-6797-05 E30-6797-05 E30-6797-05	RECTANGULAR RECEPTACLE CORD WITH PLUG (FM/AM ANT) CORD WITH PLUG (FM/AM ANT) CORD WITH PLUG (FM/AM ANT)	 K1M2M4 M5X3 X2R2K2
F100 F101			F53-0297-05 F53-0306-05	FUSE (UL,CSA) 1.6A FUSE (UL,CSA) 5A	
L100 L200 L500 L502 L504			L92-0329-05 L41-1005-33 L41-4795-33 L41-4795-33 L41-4795-33	CHIP FERRITE SMALL FIXED INDUCTOR (10U) SMALL FIXED INDUCTOR (4.7U) SMALL FIXED INDUCTOR (4.7U) SMALL FIXED INDUCTOR (4.7U)	E2 K1R2M2
L504 L504 L700 L701 X500			L41-4795-33 L41-4795-33 L92-0319-05 L33-2359-05 L77-2002-05	SMALL FIXED INDUCTOR (4.7U) SMALL FIXED INDUCTOR (4.7U) CHIP FERRITE CHOKE COIL 140UH CRYSTAL RESONATOR	M4K2E2 M5 K1R2M2
X500 X500 X700		*	L77-2002-05 L77-2002-05 L77-2975-05	CRYSTAL RESONATOR CRYSTAL RESONATOR CRYSTAL RESONATOR (11.0592MHZ)	M4K2E2 M5
AB E	2C 2C		N09-6727-05 N35-2604-43	TAPTITE SCREW (3X8 T) BINDING HEAD MACHINE SCREW	
R1 R2 R3 R4 R5			RK73GB2A473J RK73GB2A102J RK73EB2E272J RK73FB2B472J RK73GB2A223J	CHIP R 47K J 1/10W CHIP R 1.0K J 1/10W CHIP R 2.7K J 1/4W CHIP R 4.7K J 1/8W CHIP R 22K J 1/10W	
R6 R7 R8 R9 R10			RK73PB2H102J RK73GB2A473J RK73PB2H102J RK73GB2A473J RK73GB2A103J	CHIP R 1.0K J 1/2W CHIP R 47K J 1/10W CHIP R 1.0K J 1/2W CHIP R 47K J 1/10W CHIP R 10K J 1/10W	
R11 R12 R13 R14 R15			RK73EB2E103J RK73FB2B000J RK73GB2A104J RK73EB2E272J RK73GB2A102J	CHIP R 10K J 1/4W CHIP R 0.0 J 1/8W CHIP R 100K J 1/10W CHIP R 2.7K J 1/4W CHIP R 1.0K J 1/10W	E2
R16 R16 R16 R17 R17			RK73GB2A103J RK73GB2A103J RK73GB2A103J RK73GB2A222J RK73GB2A222J	CHIP R 10K J 1/10W CHIP R 10K J 1/10W CHIP R 10K J 1/10W CHIP R 2.2K J 1/10W CHIP R 2.2K J 1/10W	K1M2M4 M5X3 X2R2K2 K1M2M4 M5X3
R17 R18 R19 R20,21 R20,21			RK73GB2A222J RK73EB2E102J RK73FB2B472J RK73PB2H102J RK73PB2H102J	CHIP R 2.2K J 1/10W CHIP R 1.0K J 1/4W CHIP R 4.7K J 1/8W CHIP R 1.0K J 1/2W CHIP R 1.0K J 1/2W	X2R2K2 K1M2M4 M5X3
R20,21 R22			RK73PB2H102J RK73GB2A104J	CHIP R 1.0K J 1/2W CHIP R 100K J 1/10W	X2R2K2

E2 : DNX7220 (Europe)

K1 : DDX712 K2 : DNX7120 (North America)

X2 : DDX7032 X3 : DNX7320 (Australia) R2 : DDX7032 (Latin America)

M2 : DDX7032 M4 : DDX7032M M5 : DNX7320 (Other Areas)

△ Indicates safety critical components.

PARTS LIST

ELECTRIC UNIT (X34-598x-xx)

Ref. No.	Add	New	Parts No.	Description	Destination	Ref. No.	Add	New	Parts No.	Description	Destination
R23			RK73GB2A103J	CHIP R 10K J 1/10W	K1M2M4	R232			RK73EB2E4R7J	CHIP R 4.7 J 1/4W	
R23			RK73GB2A103J	CHIP R 10K J 1/10W	M5X3	R233,234			RK73GB2A000J	CHIP R 0.0 J 1/10W	
R23			RK73GB2A103J	CHIP R 10K J 1/10W	X2R2K2	R237			RK73GB2A4R7J	CHIP R 4.7 J 1/10W	
R24			RK73GB2A223J	CHIP R 22K J 1/10W		R238,239			RK73GB2A000J	CHIP R 0.0 J 1/10W	
R25			RK73GB2A103J	CHIP R 10K J 1/10W		R240			RK73GB2A473J	CHIP R 47K J 1/10W	
R26			RK73GB2A183J	CHIP R 18K J 1/10W		R241			RK73GB2A113J	CHIP R 11K J 1/10W	
R27			RK73GB2A473J	CHIP R 47K J 1/10W		R242			RK73GB2A000J	CHIP R 0.0 J 1/10W	
R28			RK73GB2A222J	CHIP R 2.2K J 1/10W		R243			RK73GB2A432J	CHIP R 4.3K J 1/10W	
R29			RK73GH2A563D	CHIP R 56K D 1/10W		R244			RK73GB2A100J	CHIP R 10 J 1/10W	
R31			RK73FB2B561J	CHIP R 560 J 1/8W		R245			RK73HB1J000J	CHIP R 0.0 J 1/16W	
R32			RK73GB2A000J	CHIP R 0.0 J 1/10W		R246			RK73GB2A331J	CHIP R 330 J 1/10W	
R34			RK73EB2E102J	CHIP R 1.0K J 1/4W		R247			RK73GB2A473J	CHIP R 47K J 1/10W	
R35			RK73GH2A333D	CHIP R 33K D 1/10W		R248			RK73HH1J102D	CHIP R 1.0K D 1/16W	
R36,37			RK73GB2A104J	CHIP R 100K J 1/10W		R250			RK73HB1J000J	CHIP R 0.0 J 1/16W	
R38			RK73GB2A473J	CHIP R 47K J 1/10W		R251			RK73HH1J102D	CHIP R 1.0K D 1/16W	
R39			RK73EB2E103J	CHIP R 10K J 1/4W		R252			RK73HB1J000J	CHIP R 0.0 J 1/16W	
R40			RK73GB2A104J	CHIP R 100K J 1/10W		R260			RK73EB2E000J	CHIP R 0.0 J 1/4W	
R41			RK73GB2A153J	CHIP R 15K J 1/10W		R262			RK73GB2A561J	CHIP R 560 J 1/10W	
R42,43			RK73EB2E622J	CHIP R 6.2K J 1/4W		R263			RK73GB2A000J	CHIP R 0.0 J 1/10W	
R44			RK73GB2A912J	CHIP R 9.1K J 1/10W		R500			RK73GB2A222J	CHIP R 2.2K J 1/10W	K1R2M2
R48			RK73FB2B000J	CHIP R 0.0 J 1/8W		R500			RK73GB2A222J	CHIP R 2.2K J 1/10W	M4K2E2
R50			RK73FB2B000J	CHIP R 0.0 J 1/8W		R500			RK73GB2A222J	CHIP R 2.2K J 1/10W	M5
R104			RK73FB2B203J	CHIP R 20K J 1/8W		R501			RK73GB2A223J	CHIP R 22K J 1/10W	
R107			RK73FB2B221J	CHIP R 220 J 1/8W	E2	R502			RK73GB2A102J	CHIP R 1.0K J 1/10W	
R108			RK73GB2A101J	CHIP R 100 J 1/10W		R503			RK73GB2A000J	CHIP R 0.0 J 1/10W	
R112			RK73GB2A101J	CHIP R 100 J 1/10W		R504,505			RK73GB2A222J	CHIP R 2.2K J 1/10W	K1R2M2
R117			RK73GH2A243D	CHIP R 24K D 1/10W	E2	R504,505			RK73GB2A222J	CHIP R 2.2K J 1/10W	M4K2E2
R122			RK73GH2A432D	CHIP R 4.3K D 1/10W	E2	R504,505			RK73GB2A222J	CHIP R 2.2K J 1/10W	M5
R124			RK73GB2A223J	CHIP R 22K J 1/10W		R552			RK73GB2A101J	CHIP R 100 J 1/10W	
R126			RK73FB2B222J	CHIP R 2.2K J 1/8W		R553			RK73EB2E101J	CHIP R 100 J 1/4W	
R130			RK73FB2B221J	CHIP R 220 J 1/8W		R554			RK73GB2A100J	CHIP R 10 J 1/10W	
R132			RK73GB2A823J	CHIP R 82K J 1/10W		R555			RK73EB2E101J	CHIP R 100 J 1/4W	
R133			RK73GB2A103J	CHIP R 10K J 1/10W		R556			RK73GB2A100J	CHIP R 10 J 1/10W	
R136			RK73GB2A224J	CHIP R 220K J 1/10W		R557			RK73EB2E101J	CHIP R 100 J 1/4W	
R138			RK73GB2A333J	CHIP R 33K J 1/10W		R558			RK73GB2A100J	CHIP R 10 J 1/10W	
R139			RK73GB2A224J	CHIP R 220K J 1/10W		R559			RK73EB2E101J	CHIP R 100 J 1/4W	
R146			RK73GH2A243D	CHIP R 24K D 1/10W		R560			RK73GB2A100J	CHIP R 10 J 1/10W	
R147			RK73GH2A432D	CHIP R 4.3K D 1/10W		R561-563			RK73GB2A750J	CHIP R 75 J 1/10W	K1M2M4
R200			RK73GB2A4R7J	CHIP R 4.7 J 1/10W		R561-563			RK73GB2A750J	CHIP R 75 J 1/10W	X2R2
R201			RK73GB2A102J	CHIP R 1.0K J 1/10W		R561-564			RK73GB2A102J	CHIP R 1.0K J 1/10W	E2
R202			RK73GB2A682J	CHIP R 6.8K J 1/10W		R561-564			RK73GB2A102J	CHIP R 1.0K J 1/10W	K2M5X3
R203			RK73GB2A103J	CHIP R 10K J 1/10W		R565			RK73GB2A103J	CHIP R 10K J 1/10W	E2
R204,205			RK73HB1J101J	CHIP R 100 J 1/16W		R565			RK73GB2A103J	CHIP R 10K J 1/10W	K2M5X3
R206			RK73GH2A123D	CHIP R 12K D 1/10W		R565			RK73GB2A750J	CHIP R 75 J 1/10W	K1M2M4
R207			RK73GB2A4R7J	CHIP R 4.7 J 1/10W		R565			RK73GB2A750J	CHIP R 75 J 1/10W	X2R2
R208			RK73HB1J103J	CHIP R 10K J 1/16W		R566			RK73EB2E4R7J	CHIP R 4.7 J 1/4W	
R209			RK73HB1J472J	CHIP R 4.7K J 1/16W		R567,568			RK73EB2E100J	CHIP R 10 J 1/4W	
R211			RK73HB1J472J	CHIP R 4.7K J 1/16W		R569,570			RK73EB2E102J	CHIP R 1.0K J 1/4W	
R213			RK73HB1J103J	CHIP R 10K J 1/16W		R571-574			RK73GB2A911J	CHIP R 910 J 1/10W	E2
R215			RK73GB2A104J	CHIP R 100K J 1/10W		R571-574			RK73GB2A911J	CHIP R 910 J 1/10W	K2M5X3
R216			RK73GB2A102J	CHIP R 1.0K J 1/10W		R575			RK73EB2E102J	CHIP R 1.0K J 1/4W	
R217			RK73GB2A103J	CHIP R 10K J 1/10W		R576-581			RK73GB2A100J	CHIP R 10 J 1/10W	
R218-223			RK73GB2A101J	CHIP R 100 J 1/10W		R600			RK73EB2E200J	CHIP R 20 J 1/4W	
R224			RK73GB2A103J	CHIP R 10K J 1/10W		R601			RK73EB2E100J	CHIP R 10 J 1/4W	
R226-229			RK73GB2A470J	CHIP R 47 J 1/10W		R602			RK73EB2E200J	CHIP R 20 J 1/4W	

E2 : DNX7220 (Europe)
 K1 : DDX712 K2 : DNX7120 (North America)
 X2 : DDX7032 X3 : DNX7320 (Australia) R2 : DDX7032 (Latin America)
 M2 : DDX7032 M4 : DDX7032M M5 : DNX7320 (Other Areas)

△ Indicates safety critical components.

PARTS LIST

ELECTRIC UNIT (X34-598x-xx)

Ref. No.	Ad	New	Parts No.	Description	Desti- nation	Ref. No.	Ad	New	Parts No.	Description	Desti- nation
R603-605			RK73EB2E102J	CHIP R 1.0K J 1/4W		R735			RK73HB1J102J	CHIP R 1.0K J 1/16W	
R606-608			RK73EB2E101J	CHIP R 100 J 1/4W		R737			RK73HB1J102J	CHIP R 1.0K J 1/16W	
R609,610			RK73EB2E102J	CHIP R 1.0K J 1/4W		R740,741			RK73HB1J101J	CHIP R 100 J 1/16W	
R611			RK73EB2E101J	CHIP R 100 J 1/4W		R742			RK73HB1J102J	CHIP R 1.0K J 1/16W	
R612			RK73GB2A100J	CHIP R 10 J 1/10W		R743			RK73HB1J101J	CHIP R 100 J 1/16W	
R613			RK73GB2A750J	CHIP R 75 J 1/10W		R744			RK73GB2A473J	CHIP R 47K J 1/10W	
R650			RK73EB2E200J	CHIP R 20 J 1/4W		R745,746			RK73HB1J101J	CHIP R 100 J 1/16W	
R651			RK73EB2E100J	CHIP R 10 J 1/4W		R747			RK73HB1J000J	CHIP R 0.0 J 1/16W	
R652			RK73EB2E200J	CHIP R 20 J 1/4W		R748			RK73HB1J101J	CHIP R 100 J 1/16W	
R653,654			RK73EB2E102J	CHIP R 1.0K J 1/4W		R750			RK73HB1J101J	CHIP R 100 J 1/16W	
R655			RK73GB2A473J	CHIP R 47K J 1/10W		R751			RK73GB2A473J	CHIP R 47K J 1/10W	
R656,657			RK73GB2A103J	CHIP R 10K J 1/10W		R752			RK73HB1J102J	CHIP R 1.0K J 1/16W	
R658			RK73GB2A473J	CHIP R 47K J 1/10W		R753			RK73HB1J101J	CHIP R 100 J 1/16W	K1R2M2
R659			RK73GB2A472J	CHIP R 4.7K J 1/10W		R753			RK73HB1J101J	CHIP R 100 J 1/16W	M4K2E2
R660			RK73GB2A101J	CHIP R 100 J 1/10W		R753			RK73HB1J101J	CHIP R 100 J 1/16W	M5
R661-663			RK73EB2E101J	CHIP R 100 J 1/4W		R755			RK73HB1J102J	CHIP R 1.0K J 1/16W	
R664			RK73GB2A103J	CHIP R 10K J 1/10W		R756			RK73HB1J101J	CHIP R 100 J 1/16W	K1R2M2
R665			RK73GB2A104J	CHIP R 100K J 1/10W		R756			RK73HB1J101J	CHIP R 100 J 1/16W	M4K2E2
R666			RK73GB2A102J	CHIP R 1.0K J 1/10W		R756			RK73HB1J101J	CHIP R 100 J 1/16W	M5
R667-669			RK73GB2A100J	CHIP R 10 J 1/10W		R758			RK73HB1J101J	CHIP R 100 J 1/16W	K1R2M2
R670			RK73GB2A101J	CHIP R 100 J 1/10W		R758			RK73HB1J101J	CHIP R 100 J 1/16W	M4K2E2
R671			RK73GB2A000J	CHIP R 0.0 J 1/10W		R758			RK73HB1J101J	CHIP R 100 J 1/16W	M5
R673			RK73GB2A103J	CHIP R 10K J 1/10W		R759			RK73HB1J102J	CHIP R 1.0K J 1/16W	
R700			RK73HB1J103J	CHIP R 10K J 1/16W	K1K2	R760			RK73HB1J223J	CHIP R 22K J 1/16W	
R700			RK73HB1J303J	CHIP R 30K J 1/16W	X2X3	R762			RK73HB1J102J	CHIP R 1.0K J 1/16W	
R700			RK73HB1J332J	CHIP R 3.3K J 1/16W	E2	R765,766			RK73HB1J473J	CHIP R 47K J 1/16W	K1R2M2
R700,701			RK73HB1J103J	CHIP R 10K J 1/16W	M2M4M5	R765,766			RK73HB1J473J	CHIP R 47K J 1/16W	M4K2E2
R701			RK73HB1J103J	CHIP R 10K J 1/16W	R2X2E2	R765,766			RK73HB1J473J	CHIP R 47K J 1/16W	M5
R701			RK73HB1J103J	CHIP R 10K J 1/16W	X3	R768			RK73HB1J473J	CHIP R 47K J 1/16W	
R703			RK73HB1J473J	CHIP R 47K J 1/16W		R770			RK73HB1J473J	CHIP R 47K J 1/16W	K1R2M2
R704			RK73HB1J102J	CHIP R 1.0K J 1/16W		R770			RK73HB1J473J	CHIP R 47K J 1/16W	M4K2E2
R705			RK73HB1J473J	CHIP R 47K J 1/16W	K1M2M4	R770			RK73HB1J473J	CHIP R 47K J 1/16W	M5
R705			RK73HB1J473J	CHIP R 47K J 1/16W	X2R2	R772,773			RK73HB1J102J	CHIP R 1.0K J 1/16W	
R706,707			RK73HB1J473J	CHIP R 47K J 1/16W	E2	R774,775			RK73HB1J101J	CHIP R 100 J 1/16W	
R706,707			RK73HB1J473J	CHIP R 47K J 1/16W	K2M5X3	R776			RK73HB1J102J	CHIP R 1.0K J 1/16W	
R707			RK73HB1J473J	CHIP R 47K J 1/16W	K1M2M4	R777			RK73HB1J472J	CHIP R 4.7K J 1/16W	
R707			RK73HB1J473J	CHIP R 47K J 1/16W	X2R2	R780,781			RK73HB1J102J	CHIP R 1.0K J 1/16W	
R711			RK73HB1J473J	CHIP R 47K J 1/16W		R782			RK73HB1J472J	CHIP R 4.7K J 1/16W	
R712,713			RK73HB1J222J	CHIP R 2.2K J 1/16W		R783-788			RK73HB1J101J	CHIP R 100 J 1/16W	
R714			RK73HB1J101J	CHIP R 100 J 1/16W		R789			RK73HB1J470J	CHIP R 47 J 1/16W	
R715			RK73HB1J102J	CHIP R 1.0K J 1/16W		R790,791			RK73HB1J101J	CHIP R 100 J 1/16W	
R716			RK73HB1J101J	CHIP R 100 J 1/16W		R792,793			RK73HB1J471J	CHIP R 470 J 1/16W	
R717			RK73HB1J472J	CHIP R 4.7K J 1/16W		R794			RK73HB1J104J	CHIP R 100K J 1/16W	
R718			RK73HB1J101J	CHIP R 100 J 1/16W		R795			RK73HB1J103J	CHIP R 10K J 1/16W	
R719			RK73HB1J102J	CHIP R 1.0K J 1/16W	E2	R796			RK73HB1J473J	CHIP R 47K J 1/16W	
R719,720			RK73HB1J102J	CHIP R 1.0K J 1/16W	K1M2M4	R797			RK73HB1J472J	CHIP R 4.7K J 1/16W	
R719,720			RK73HB1J102J	CHIP R 1.0K J 1/16W	M5X3	R798			RK73GB2A473J	CHIP R 47K J 1/10W	
R719,720			RK73HB1J102J	CHIP R 1.0K J 1/16W	X2R2K2	R799			RK73HB1J104J	CHIP R 100K J 1/16W	
R721			RK73HB1J101J	CHIP R 100 J 1/16W		R800			RK73GB2A473J	CHIP R 47K J 1/10W	
R726			RK73HB1J102J	CHIP R 1.0K J 1/16W		R801			RK73GB2A101J	CHIP R 100 J 1/10W	
R727,728			RK73HB1J103J	CHIP R 10K J 1/16W		R802			RK73HB1J473J	CHIP R 47K J 1/16W	
R729,730			RK73HB1J473J	CHIP R 47K J 1/16W		R803-807			RK73GB2A101J	CHIP R 100 J 1/10W	
R731			RK73HB1J101J	CHIP R 100 J 1/16W		R808			RK73HB1J473J	CHIP R 47K J 1/16W	
R733			RK73HB1J473J	CHIP R 47K J 1/16W		R809			RK73HB1J472J	CHIP R 4.7K J 1/16W	
R734			RK73HB1J101J	CHIP R 100 J 1/16W		R810			RK73HB1J473J	CHIP R 47K J 1/16W	

E2 : DNX7220 (Europe)

K1 : DDX712 K2 : DNX7120 (North America)

X2 : DDX7032 X3 : DNX7320 (Australia) R2 : DDX7032 (Latin America)

M2 : DDX7032 M4 : DDX7032M M5 : DNX7320 (Other Areas)

△ Indicates safety critical components.

PARTS LIST

ELECTRIC UNIT (X34-598x-xx)

Ref. No.	Add	New	Parts No.	Description	Destination	Ref. No.	Add	New	Parts No.	Description	Destination
R811			RK73HB1J102J	CHIP R 1.0K J 1/16W		IC201			NJM4565V-ZB	ANALOGUE IC	
D1,2			M1F60-6063	DIODE		IC203			E-TDA7415CB	ANALOGUE IC	
D3			DAP202U	DIODE		IC500			E-TDA7478AD	ANALOGUE IC	K1R2M2
D4			M1F60-6063	DIODE		IC500			E-TDA7478AD	ANALOGUE IC	M4K2E2
D5			DAN202U	DIODE		IC500			E-TDA7478AD	ANALOGUE IC	M5
D6			M1F60-6063	DIODE		IC550			74AHC1G04GW	MOS-IC	
D7			DAN202U	DIODE		IC650			74AHC1G08GW	MOS-IC	
D8			M1F60-6063	DIODE		IC701	*		S-80835CNNB-G	MOS-IC	
D9			DAN202U	DIODE		IC702			30624MWPB74GP	MICROCONTROLLER IC	
D10			UDZS6.2B	ZENER DIODE		IC704			TB2923HQ	ANALOGUE IC	
D11			M1F60-6063	DIODE		Q1			2SB1188(Q,R)	TRANSISTOR	
D12			UDZS6.8B	ZENER DIODE		Q2			2SA1576A	TRANSISTOR	
D14	*		RM30LF014-102	DIODE		Q3			DTC124EUA	DIGITAL TRANSISTOR	
D15			UDZS6.2B	ZENER DIODE		Q4			DTA114EUA	DIGITAL TRANSISTOR	
D16			UDZS5.6B	ZENER DIODE		Q5			2SA1576A	TRANSISTOR	
D17			UDZS4.7B	ZENER DIODE		Q6			DTC114YUA	DIGITAL TRANSISTOR	
D18			UDZS6.2B	ZENER DIODE		Q7			2SB1188(R)	TRANSISTOR	K1M2M4
D19			DAN202U	DIODE		Q7			2SB1188(R)	TRANSISTOR	M5X3
D100			RB160L-40	DIODE		Q7			2SB1188(R)	TRANSISTOR	X2R2K2
D102			UDZS5.6B	ZENER DIODE		Q8			DTC124EUA	DIGITAL TRANSISTOR	
D105			DA204U	DIODE		Q9,10			2SC4081	TRANSISTOR	K1M2M4
D200			UDZS6.8B	ZENER DIODE		Q9,10			2SC4081	TRANSISTOR	M5X3
D201,202			DAP202U	DIODE		Q9,10			2SC4081	TRANSISTOR	X2R2K2
D203			AVRM16270MAAB	VARISTOR		Q10			2SC4081	TRANSISTOR	E2
D204			DAP202U	DIODE		Q11			2SA1576A	TRANSISTOR	
D206			DAP202U	DIODE		Q13,14			2SC4081	TRANSISTOR	
D500			IMSA-6801-E	SURGE ABSORBER		Q104			UMC2N	TRANSISTOR	E2
D550			UDZS6.2B	ZENER DIODE		Q105			KTA1046-P	TRANSISTOR	
D551-555			STZ6.2N	ZENER DIODE	K1M2M4	Q107			2SB1184	TRANSISTOR	E2
D551-555			STZ6.2N	ZENER DIODE	X2R2	Q108			2SC4081	TRANSISTOR	
D556			STZ6.8N	ZENER DIODE	K1M2M4	Q111			2SB1689	TRANSISTOR	
D556			STZ6.8N	ZENER DIODE	X2R2	Q112			DTC124EUA	DIGITAL TRANSISTOR	
D557			UDZS6.2B	ZENER DIODE	K1M2M4	Q113			DTC114YUA	DIGITAL TRANSISTOR	
D557			UDZS6.2B	ZENER DIODE	X2R2	Q114			2SA1576A	TRANSISTOR	
D600			STZ6.8N	ZENER DIODE		Q115			KTA1046-P	TRANSISTOR	
D601			UDZS6.2B	ZENER DIODE		Q116			DTC124EUA	DIGITAL TRANSISTOR	
D604,605			STZ6.2N	ZENER DIODE		Q117			2SA1576A	TRANSISTOR	
D606			UDZS6.2B	ZENER DIODE		Q118			DTA124EUA	DIGITAL TRANSISTOR	
D607			AVRM16180M6AB	VARISTOR		Q119			TPC8110-F	FET	
D608,609			AVRM16120M6AB	VARISTOR		Q200			2SA1576A	TRANSISTOR	
D613			STZ6.2N	ZENER DIODE		Q500			DTC124EUA	DIGITAL TRANSISTOR	
D649			DAP202U	DIODE		Q501			2SB1689	TRANSISTOR	
D650			STZ6.8N	ZENER DIODE		Q650,651			2SC4081	TRANSISTOR	
D651			UDZS6.2B	ZENER DIODE		Q652			DTA114EUA	DIGITAL TRANSISTOR	
D652			STZ6.2N	ZENER DIODE		Q653,654			DTC144EUA	DIGITAL TRANSISTOR	
D653			AVRM16180M6AB	VARISTOR		Q700			DTC144EUA	DIGITAL TRANSISTOR	
D654			DAP202U	DIODE		Q701			RT1N440M	TRANSISTOR	
D662,663			AVRM16180M6AB	VARISTOR		Q702			DTC114YUA	DIGITAL TRANSISTOR	
D664,665			DAP202U	DIODE		Q703			DTC124EUA	DIGITAL TRANSISTOR	
IC101			M5237ML-CF0J	ANALOGUE IC	E2	Q704			DTC114TUA	DIGITAL TRANSISTOR	
IC103			TA78L05F-F	ANALOGUE IC		Q705			2SK3019	FET	
IC104			R1114N331B-TR	ANALOGUE IC (3.3V LF)		Q706			DTA114TUA	DIGITAL TRANSISTOR	
IC106			M5237ML-CF0J	ANALOGUE IC		Q707			2SK3019	FET	
IC200			AK4220	ANALOGUE IC		TH201			PRF18BE471QS2	POSITIVE RESISTOR	

E2 : DNX7220 (Europe)
 K1 : DDX712 K2 : DNX7120 (North America)
 X2 : DDX7032 X3 : DNX7320 (Australia) R2 : DDX7032 (Latin America)
 M2 : DDX7032 M4 : DDX7032M M5 : DNX7320 (Other Areas)

△ Indicates safety critical components.

PARTS LIST

ELECTRIC UNIT (X34-598x-xx)

Ref. No.	Add	New	Parts No.	Description	Destination
A500			X86-4030-11	FRONT-END UNIT	K1R2X2
A500			X86-4030-11	FRONT-END UNIT	K2X3
A500			X86-4032-70	FRONT-END UNIT	M2M4E2
A500			X86-4032-70	FRONT-END UNIT	M5
A501	2C	*	X89-3062-71	DAUGHTER UNIT	E2
VIDEO UNIT (X35-4940-11)					
C1,2			CK73EB1E106K	CHIP C 10UF K	
C3-6			CK73GB1H103K	CHIP C 0.010UF K	
C7,8			CK73GB0J225K	CHIP C 2.2UF K	
C9			CK73GB1A474K	CHIP C 0.47UF K	
C10			CK73GB1E183K	CHIP C 0.018UF K	
C11			CK73GB1H152K	CHIP C 1500PF K	
C12			CK73GB0J225K	CHIP C 2.2UF K	
C13			CK73GB1H103K	CHIP C 0.010UF K	
C14,15			CK73GB1H473K	CHIP C 0.047UF K	
C16			C93-1383-05	CHIP C 220PF F	
C18-20			CK73EB1E106K	CHIP C 10UF K	
C21-24			C93-1283-05	CHIP C 1.0UF K	
C25		*	C93-1461-05	CHIP C 2700PF F	
C26			C93-1273-05	CHIP C 15PF J	
C27		*	C93-1466-05	CHIP C 0.018UF F	
C101			CK73FB0J106K	CHIP C 10UF K	
C102			CK73GB1H103K	CHIP C 0.010UF K	
C103			CC73GCH1H102J	CHIP C 1000PF J	
C104-107			CK73GB1C104K	CHIP C 0.10UF K	
C108			CK73EB1E106K	CHIP C 10UF K	
C109			CK73GB1H104K	CHIP C 0.10UF K	
C110			CK73GB1H103K	CHIP C 0.010UF K	
C111			CK73FB1E154K	CHIP C 0.15UF K	
C112			CC73GCH1H102J	CHIP C 1000PF J	
C113			CK73GB1C224K	CHIP C 0.22UF K	
C114			CC73GCH1H151J	CHIP C 150PF J	
C115			CK73EB1E225K	CHIP C 2.2UF K	
C117,118			CK73FB1C106K	CHIP C 10UF K	
C119			CK73GB1C104K	CHIP C 0.10UF K	
C120			CK73FB1C106K	CHIP C 10UF K	
C121			CK73GB1C104K	CHIP C 0.10UF K	
C122			CK73GB1H103K	CHIP C 0.010UF K	
C124			CK73FB1C106K	CHIP C 10UF K	
C131			CK73FB1C106K	CHIP C 10UF K	
C140,141			CK73GB1C104K	CHIP C 0.10UF K	
C200			CK73FB0J106K	CHIP C 10UF K	
C201			CK73GB1H103K	CHIP C 0.010UF K	
C202			CK73FB1C106K	CHIP C 10UF K	
C203			CK73GB1H103K	CHIP C 0.010UF K	
C204,205			CK73FB1A475K	CHIP C 4.7UF K	
C207			CC73GCH1H560J	CHIP C 56PF J	
C208			CK73EB1E106K	CHIP C 10UF K	
C209			CK73GB1H103K	CHIP C 0.010UF K	
C210			CK73EB1E106K	CHIP C 10UF K	
C211			CK73GB1H103K	CHIP C 0.010UF K	
C216,217			CK73FB1C106K	CHIP C 10UF K	
C218			CK73GB1C104K	CHIP C 0.10UF K	
C219			CC73GCH1H101J	CHIP C 100PF J	
C221			CK73FB1C106K	CHIP C 10UF K	

Ref. No.	Add	New	Parts No.	Description	Destination
C301			CK73HB1E103K	CHIP C 0.010UF K	
C302			CK73FB0J106K	CHIP C 10UF K	
C303			CK73HB1E103K	CHIP C 0.010UF K	
C304			CK73FB0J106K	CHIP C 10UF K	
C305			CK73GB1A105K	CHIP C 1.0UF K	
C306			CK73HB1A104K	CHIP C 0.10UF K	
C308			CK73GB1A105K	CHIP C 1.0UF K	
C309			CC73HCH1H560J	CHIP C 56PF J	
C310			CC73HCH1H330J	CHIP C 33PF J	
C311,312			CC73HCH1H102J	CHIP C 1000PF J	
C313			CK73HB1A104K	CHIP C 0.10UF K	
C314			CK73FB0J106K	CHIP C 10UF K	
C315-334			CK73HB1A104K	CHIP C 0.10UF K	
C335			CC73HCH1H240J	CHIP C 24PF J	
C336			CC73HCH1H270J	CHIP C 27PF J	
C337			CK73HB1A104K	CHIP C 0.10UF K	
C338,339			CK73HB1E103K	CHIP C 0.010UF K	
C340			CK73HB1A104K	CHIP C 0.10UF K	
C341			CK73FB0J106K	CHIP C 10UF K	
C342-347			CK73HB1A104K	CHIP C 0.10UF K	
C349,350			CK73HB1A104K	CHIP C 0.10UF K	
C360			CK73HB1H102K	CHIP C 1000PF K	
C361			CC73HCH1H820J	CHIP C 82PF J	
C362,363			CK73HB1A104K	CHIP C 0.10UF K	
C372			CK73FB1C105K	CHIP C 1.0UF K	
C373,374			CK73FB0J106K	CHIP C 10UF K	
C375			CK73EB1E105K	CHIP C 1.0UF K	
C376-382			CK73HB1A104K	CHIP C 0.10UF K	
C386			CK73HB1A104K	CHIP C 0.10UF K	
C387			CK73HB1H102K	CHIP C 1000PF K	
C500,501			CK73GB1H103K	CHIP C 0.010UF K	
C502			CK73FB0J106K	CHIP C 10UF K	
C601			CK73FB0J106K	CHIP C 10UF K	
C602			CC73GCH1H221J	CHIP C 220PF J	
C603			CK73GB1C104K	CHIP C 0.10UF K	
CN1			E41-2642-05	PIN ASSY	
CN100		*	E41-2985-05	FLAT CABLE CONNECTOR	
CN300			E41-2359-05	PIN ASSY	
CN301			E41-2208-05	FLAT CABLE CONNECTOR	
CN500			E41-2088-05	FLAT CABLE CONNECTOR	
CN600		*	E41-2974-05	FLAT CABLE CONNECTOR	
F100			F53-0280-05	FUSE 0.63A	
L1			L33-2454-05	CHOKE COIL 10UH	
L2			L19-0802-05	TRANSFORMER FOR CONVERTER	
L100			L33-2454-05	CHOKE COIL 10UH	
L101			L41-4792-13	SMALL FIXED INDUCTOR (4.7UH)	
L102			L41-1005-33	SMALL FIXED INDUCTOR (10U)	
L103,104			L41-3392-13	SMALL FIXED INDUCTOR (3.3UH)	
L105			L41-1005-33	SMALL FIXED INDUCTOR (10U)	
L200,201			L41-1005-33	SMALL FIXED INDUCTOR (10U)	
L203			L41-1005-33	SMALL FIXED INDUCTOR (10U)	
L300,301			L41-1005-33	SMALL FIXED INDUCTOR (10U)	
L302			L41-2205-33	SMALL FIXED INDUCTOR (22U)	

E2 : DNX7220 (Europe)
 K1 : DDX712 K2 : DNX7120 (North America)
 X2 : DDX7032 X3 : DNX7320 (Australia) R2 : DDX7032 (Latin America)
 M2 : DDX7032 M4 : DDX7032M M5 : DNX7320 (Other Areas)

△Indicates safety critical components.

PARTS LIST

VIDEO UNIT (X35-4940-11)

Ref. No.	Add	New	Parts No.	Description	Destination	Ref. No.	Add	New	Parts No.	Description	Destination
L303			L41-1005-33	SMALL FIXED INDUCTOR (10U)		R228			RK73GH2A153D	CHIP R 15K D 1/10W	
L304-306			L92-0319-05	CHIP FERRITE		R229			RK73GH2A103D	CHIP R 10K D 1/10W	
L307			L41-1005-33	SMALL FIXED INDUCTOR (10U)		R300-302			RK73HB1J000J	CHIP R 0.0 J 1/16W	
L308-311			L92-0319-05	CHIP FERRITE		R303,304			RK73FB2B101J	CHIP R 100 J 1/8W	
L312			L41-1005-33	SMALL FIXED INDUCTOR (10U)		R305,306			RK73HB1J000J	CHIP R 0.0 J 1/16W	
L313			L41-8281-15	SMALL FIXED INDUCTOR (0.82U)		R307-309			RK73HB1J101J	CHIP R 100 J 1/16W	
L315			L92-0319-05	CHIP FERRITE		R310-312			RK73HB1J000J	CHIP R 0.0 J 1/16W	
L600			L41-1005-33	SMALL FIXED INDUCTOR (10U)		R313,314			RK73HB1J101J	CHIP R 100 J 1/16W	
X300			L77-2965-05	CRYSTAL RESONATOR (12.000MHZ)		R320			RK73HB1J272J	CHIP R 2.7K J 1/16W	
R1			RK73FB2B152J	CHIP R 1.5K J 1/8W		R321			RK73HB1J100J	CHIP R 10 J 1/16W	
R2,3			RK73GB2A000J	CHIP R 0.0 J 1/10W		R322			RK73HB1J101J	CHIP R 100 J 1/16W	
R5			RK73GB2A153J	CHIP R 15K J 1/10W		R323			RK73HB1J100J	CHIP R 10 J 1/16W	
R7			RK73GB2A222J	CHIP R 2.2K J 1/10W		R324			RK73HB1J272J	CHIP R 2.7K J 1/16W	
R8			RK73GB2A220J	CHIP R 22 J 1/10W		R325-328			RK73HB1J000J	CHIP R 0.0 J 1/16W	
R9			RK73GH2A433D	CHIP R 43K D 1/10W		R331,332			RK73HB1J101J	CHIP R 100 J 1/16W	
R10			RK73GB2A220J	CHIP R 22 J 1/10W		R336			RK73HB1J105J	CHIP R 1.0M J 1/16W	
R11			RK73GB2A515J	CHIP R 5.1M J 1/10W		R337			RK73HB1J102J	CHIP R 1.0K J 1/16W	
R12			RK73GH2A513D	CHIP R 51K D 1/10W		R338			RK73HB1J000J	CHIP R 0.0 J 1/16W	
R13			RK73GB2A104J	CHIP R 100K J 1/10W		R339-341			RK73HB1J330J	CHIP R 33 J 1/16W	
R14			RK73GH2A164D	CHIP R 160K D 1/10W		R342			RK73HB1J103J	CHIP R 10K J 1/16W	
R15			RK73GB2A472J	CHIP R 4.7K J 1/10W		R343			RK73HB1J000J	CHIP R 0.0 J 1/16W	
R16			RK73GB2A105J	CHIP R 1.0M J 1/10W		R345,346			RK73HB1J000J	CHIP R 0.0 J 1/16W	
R17			RK73GB2A512J	CHIP R 5.1K J 1/10W		R347,348			RK73HB1J330J	CHIP R 33 J 1/16W	
R18			RK73GH2A563D	CHIP R 56K D 1/10W		R351			RK73HB1J000J	CHIP R 0.0 J 1/16W	
R19			RK73GH2A754D	CHIP R 750K D 1/10W		R353			RK73HB1J473J	CHIP R 47K J 1/16W	
R20			RK73GB2A512J	CHIP R 5.1K J 1/10W		R354,355			RK73HB1J330J	CHIP R 33 J 1/16W	
R21-24			RK73GB2A220J	CHIP R 22 J 1/10W		R359			RK73HB1J472J	CHIP R 4.7K J 1/16W	
R25			RK73GH2A471D	CHIP R 470 D 1/10W		R360			RK73HB1J181J	CHIP R 180 J 1/16W	
R27			RK73GH2A103D	CHIP R 10K D 1/10W		R361			RK73HB1J101J	CHIP R 100 J 1/16W	
R32			RK73GB2A000J	CHIP R 0.0 J 1/10W		R362			RK73HB1J560J	CHIP R 56 J 1/16W	
R100			RK73GB2A100J	CHIP R 10 J 1/10W		R363-370			RK73HB1J101J	CHIP R 100 J 1/16W	
R101			RK73GB2A754J	CHIP R 750K J 1/10W		R372			RK73HB1J101J	CHIP R 100 J 1/16W	
R102			RK73GB2A473J	CHIP R 47K J 1/10W		R373			RK73HB1J472J	CHIP R 4.7K J 1/16W	
R104			RK73GH2A114D	CHIP R 110K D 1/10W		R392-397			RK73HB1J000J	CHIP R 0.0 J 1/16W	
R105			RK73GH2A103D	CHIP R 10K D 1/10W		R398			RK73HB1J102J	CHIP R 1.0K J 1/16W	
R106			RK73GH2A164D	CHIP R 160K D 1/10W		R399			RK73HB1J101J	CHIP R 100 J 1/16W	
R107			RK73GH2A183D	CHIP R 18K D 1/10W		R400-403			RK73HB1J473J	CHIP R 47K J 1/16W	
R108-110			RK73GB2A000J	CHIP R 0.0 J 1/10W		R404			RK73HB1J000J	CHIP R 0.0 J 1/16W	
R111			RK73GB2A222J	CHIP R 2.2K J 1/10W		R405			RK73HB1J101J	CHIP R 100 J 1/16W	
R112			RK73GB2A103J	CHIP R 10K J 1/10W		R406			RK73GH2A911D	CHIP R 910 D 1/10W	
R140			RK73GH2A103D	CHIP R 10K D 1/10W		R407			RK73GH2A102D	CHIP R 1.0K D 1/10W	
R141			RK73GH2A513D	CHIP R 51K D 1/10W		R410			RK73HB1J000J	CHIP R 0.0 J 1/16W	
R142,143			RK73GB2A472J	CHIP R 4.7K J 1/10W		R413			RK73HB1J101J	CHIP R 100 J 1/16W	
R201			RK73GB2A223J	CHIP R 22K J 1/10W		R414,415			RK73HB1J103J	CHIP R 10K J 1/16W	
R203			RK73GB2A473J	CHIP R 47K J 1/10W		R416			RK73FB2B000J	CHIP R 0.0 J 1/8W	
R205			RK73GH2A392D	CHIP R 3.9K D 1/10W		R500,501			RK73GB2A333J	CHIP R 33K J 1/10W	
R206			RK73GH2A222D	CHIP R 2.2K D 1/10W		R504-507			RK73EB2E100J	CHIP R 10 J 1/4W	
R207			RK73GH2A123D	CHIP R 12K D 1/10W		R509			RK73FB2B000J	CHIP R 0.0 J 1/8W	
R208			RK73GB2A101J	CHIP R 100 J 1/10W		R603-606			RK73EB2E101J	CHIP R 100 J 1/4W	
R209,210			RK73GB2A000J	CHIP R 0.0 J 1/10W		R607			RK73EB2E100J	CHIP R 10 J 1/4W	
R212			RK73GB2A000J	CHIP R 0.0 J 1/10W		R608			RK73EB2E121J	CHIP R 120 J 1/4W	
R216,217			RK73GB2A470J	CHIP R 47 J 1/10W		R609			RK73EB2E101J	CHIP R 100 J 1/4W	
R222,223			RK73GH2A102D	CHIP R 1.0K D 1/10W		R610			RK73GB2A101J	CHIP R 100 J 1/10W	
R224			RK73GB2A222J	CHIP R 2.2K J 1/10W		R611-614			RK73GB2A000J	CHIP R 0.0 J 1/10W	
						R615			RK73GB2A302J	CHIP R 3.0K J 1/10W	

E2 : DNX7220 (Europe)
 K1 : DDX712 K2 : DNX7120 (North America)
 X2 : DDX7032 X3 : DNX7320 (Australia) R2 : DDX7032 (Latin America)
 M2 : DDX7032 M4 : DDX7032M M5 : DNX7320 (Other Areas)

△ Indicates safety critical components.

PARTS LIST

VIDEO UNIT (X35-4940-11)

Ref. No.	A d d	N e w	Parts No.	Description	Desti- nation
R616,617			RK73GB2A000J	CHIP R 0.0 J 1/10W	
R618			RK73GB2A512J	CHIP R 5.1K J 1/10W	
R619,620			RK73GB2A000J	CHIP R 0.0 J 1/10W	
R621			RK73GB2A103J	CHIP R 10K J 1/10W	
R622			RK73GB2A000J	CHIP R 0.0 J 1/10W	
R623			RK73GB2A303J	CHIP R 30K J 1/10W	
R624-627			RK73GB2A681J	CHIP R 680 J 1/10W	
R629-634			RK73GB2A681J	CHIP R 680 J 1/10W	
R635			RK73FB2B132J	CHIP R 1.3K J 1/8W	
R636-638			RK73GB2A000J	CHIP R 0.0 J 1/10W	
R643,644			RK73GB2A473J	CHIP R 47K J 1/10W	
R645			RK73GB2A822J	CHIP R 8.2K J 1/10W	
VR200			R32-0350-05	SEMI FIXED VARIABLE RESIS (10K)	
D1			UDZS5.6B	ZENER DIODE	
D2			AVRM16120M6AB	VARISTOR	
D3,4			1SS355	DIODE	
D5			UDZS5.6B	ZENER DIODE	
D6			MA2S784-F	DIODE	
D7			UDZS5.6B	ZENER DIODE	
D8,9			DA204U	DIODE	
D100			EP05Q06	DIODE	
D101-103			EP05Q04	DIODE	
D306,307			AVRM16270MAAB	VARISTOR	
D500-503			UDZS6.8B	ZENER DIODE	
D504			DA204U	DIODE	
D605-608			AVRM16120M6AB	VARISTOR	
D609			AVRM16180M6AB	VARISTOR	
D610,611			AVRM16120M6AB	VARISTOR	
IC1			OZ964ISN-C-SN	ANALOGUE IC	
IC100			TC7WH123FU-F	MOS-IC	
IC101			74AHC1G04GW	MOS-IC	
IC102			LT1947-PBF	ANALOGUE IC	
IC200			TA75W558FU-F	ANALOGUE IC	
IC300			S-1112B25MCG	ANALOGUE IC	
IC301			MST7988LA-ALF	MOS-IC	
IC302			74LVC3G34DP	MOS-IC	
IC303		*	AT25F2048-6Z1	ROM IC	
IC304			74AHC1G04GW	MOS-IC	
Q1			2SC4081	TRANSISTOR	
Q2,3			SI5504DC-E3	DUAL FET	
Q4			2SC4081	TRANSISTOR	
Q5			DTC114YUA	DIGITAL TRANSISTOR	
Q140			2SC4081	TRANSISTOR	
Q141			2SA1576A	TRANSISTOR	
Q202			2SC4097	TRANSISTOR	
Q203			2SA1577	TRANSISTOR	
Q205			UMZ1N	TRANSISTOR	
Q300			2SA1576A	TRANSISTOR	
Q301			2SC4081	TRANSISTOR	
Q302,303			DTC114YUA	DIGITAL TRANSISTOR	
Q304			DTA123JUA	DIGITAL TRANSISTOR	
Q500			DTA143ZUA	DIGITAL TRANSISTOR	
Q501			DTC143ZUA	DIGITAL TRANSISTOR	
Q502			DTA143ZUA	DIGITAL TRANSISTOR	

Ref. No.	A d d	N e w	Parts No.	Description	Desti- nation
Q503			DTC143ZUA	DIGITAL TRANSISTOR	
Q504			DTC114YUA	DIGITAL TRANSISTOR	
Q600			2SA1576A	TRANSISTOR	
Q601			2SC4081	TRANSISTOR	
DVD UNIT (X37-1120-06) IN DVD MECHA.					
C3			CK73HB1A104K	CHIP C 0.10UF K	
C4			CC73HCH1H471J	CHIP C 470PF J	
C5-7			CK73HB1E103K	CHIP C 0.010UF K	
C8			CC73HCH1H471J	CHIP C 470PF J	
C11			CK73HB1E103K	CHIP C 0.010UF K	
C14			CK73GB0J106M	CHIP C 10UF M	
C15			CK73HB1A104K	CHIP C 0.10UF K	
C16			CK73GB0J106M	CHIP C 10UF M	
C17			CK73GB0J475K	CHIP C 4.7UF K	
C18			CK73FB0J226M	CHIP C 22UF M	
C20			CC73HCH1H102J	CHIP C 1000PF J	
C50,51			C93-1228-05	CHIP C 1UF M	
C54			C93-1228-05	CHIP C 1UF M	
C59,60			C93-1228-05	CHIP C 1UF M	
C62			C93-1228-05	CHIP C 1UF M	
C63			CK73FB0J226M	CHIP C 22UF M	
C72			CK73HB1A104K	CHIP C 0.10UF K	
C73			CK73GB0J106M	CHIP C 10UF M	
C100-102			CK73HB1A104K	CHIP C 0.10UF K	
C103			C93-1228-05	CHIP C 1UF M	
C104			CK73HB1A104K	CHIP C 0.10UF K	
C105			C93-1228-05	CHIP C 1UF M	
C106,107			CK73HB1A104K	CHIP C 0.10UF K	
C108			C93-1228-05	CHIP C 1UF M	
C109			CK73HB1A104K	CHIP C 0.10UF K	
C110			C93-1228-05	CHIP C 1UF M	
C111			CK73HB1C333K	CHIP C 0.033UF K	
C112,113			CK73HB1A104K	CHIP C 0.10UF K	
C114			CK73GB1H562K	CHIP C 5600PF K	
C115			CK73HB1C183K	CHIP C 0.018UF K	
C117			CK73HB1A104K	CHIP C 0.10UF K	
C118			CK73HB0J105K	CHIP C 1.0UF K	
C119			C93-1228-05	CHIP C 1UF M	
C120,121			CK73HB1A104K	CHIP C 0.10UF K	
C122,123			CK73GB0J106M	CHIP C 10UF M	
C126-129			CK73HB1A104K	CHIP C 0.10UF K	
C130-133			CC73HCH1H151J	CHIP C 150PF J	
C134			CC73HCH1H102J	CHIP C 1000PF J	
C135,136			C93-1228-05	CHIP C 1UF M	
C137,138			CK73HB0J105K	CHIP C 1.0UF K	
C139,140			C93-1228-05	CHIP C 1UF M	
C142			C93-1228-05	CHIP C 1UF M	
C143,144			CC73HCH1H100D	CHIP C 10PF D	
C145-149			CK73HB1A104K	CHIP C 0.10UF K	
C151,152			C93-1228-05	CHIP C 1UF M	
C153,154			CK73HB1A104K	CHIP C 0.10UF K	
C158			CK73HB1A104K	CHIP C 0.10UF K	
C162			CK73HB1A104K	CHIP C 0.10UF K	
C164-169			CK73GB0J106M	CHIP C 10UF M	
C200-203			CK73GB0J106M	CHIP C 10UF M	

E2 : DNX7220 (Europe)

K1 : DDX712 K2 : DNX7120 (North America)

X2 : DDX7032 X3 : DNX7320 (Australia) R2 : DDX7032 (Latin America)

M2 : DDX7032 M4 : DDX7032M M5 : DNX7320 (Other Areas)

△ Indicates safety critical components.

PARTS LIST

DVD UNIT (X37-1120-06) IN DVD MECHA.

Ref. No.	Add	New	Parts No.	Description	Destination	Ref. No.	Add	New	Parts No.	Description	Destination
C207,208			CK73HB1A104K	CHIP C 0.10UF K		C491			CC73HCH1H102J	CHIP C 1000PF J	
C220-223			CK73HB0J105K	CHIP C 1.0UF K		C492			CK73HB1E103K	CHIP C 0.010UF K	
C224			CK73HB1E103K	CHIP C 0.010UF K		C493			CC73HCH1H151J	CHIP C 150PF J	
C226			CK73FB0J226M	CHIP C 22UF M		C494			CC73HCH1H471J	CHIP C 470PF J	
C229,230			CK73HB1E103K	CHIP C 0.010UF K		C495			CC73HCH1H102J	CHIP C 1000PF J	
C231			CC73HCH1H102J	CHIP C 1000PF J		C496			CK73HB1E103K	CHIP C 0.010UF K	
C250			CC73HCH1H102J	CHIP C 1000PF J		C497,498			CK73FB0J226M	CHIP C 22UF M	
C251,252			CC73HCH1H221J	CHIP C 220PF J		C504,505			CK73HB1H472K	CHIP C 4700PF K	
C253			CC73HCH1H102J	CHIP C 1000PF J		C506,507			CC73HCH1H102J	CHIP C 1000PF J	
C254,255			CC73HCH1H221J	CHIP C 220PF J		C510			CC73HCH1H102J	CHIP C 1000PF J	
C256			CK73HB1A104K	CHIP C 0.10UF K		C511			CK73GB0J106M	CHIP C 10UF M	
C261,262			CC73HCH1H331J	CHIP C 330PF J		C512			CK73HB0J105K	CHIP C 1.0UF K	
C263			CK73HB0J105K	CHIP C 1.0UF K		C513-515			CK73HB1A104K	CHIP C 0.10UF K	
C265			CK73GB1A105K	CHIP C 1.0UF K		C516			CK73HB1C333K	CHIP C 0.033UF K	
C266			CK73HB1C333K	CHIP C 0.033UF K		C517			CK73HB1E103K	CHIP C 0.010UF K	
C267			CK73FB0J226M	CHIP C 22UF M		C518,519			CC73HCH1H470J	CHIP C 47PF J	
C270			CK73HB0J105K	CHIP C 1.0UF K		C520			CC73HCH1H102J	CHIP C 1000PF J	
C271			CC73HCH1H102J	CHIP C 1000PF J		C521			CK73HB0J105K	CHIP C 1.0UF K	
C272			CK73HB0J105K	CHIP C 1.0UF K		C522			CC73HCH1H151J	CHIP C 150PF J	
C300,301			CC73HCH1H102J	CHIP C 1000PF J		C523			CC73HCH1H471J	CHIP C 470PF J	
C302			CK73GB0J106M	CHIP C 10UF M		C524			CC73HCH1H102J	CHIP C 1000PF J	
C304-306			CK73GB0J106M	CHIP C 10UF M		C525			CK73HB1E103K	CHIP C 0.010UF K	
C350,351			CC73HCH1H102J	CHIP C 1000PF J		C526			CC73HCH1H151J	CHIP C 150PF J	
C434			CK73GB0J106M	CHIP C 10UF M		C527			CC73HCH1H471J	CHIP C 470PF J	
C435			CK73HB1E103K	CHIP C 0.010UF K		C528			CC73HCH1H102J	CHIP C 1000PF J	
C441			CK73HB1A104K	CHIP C 0.10UF K		C529			CK73HB1E103K	CHIP C 0.010UF K	
C442-445			CK73FB0J226M	CHIP C 22UF M		C530			CK73HB0J105K	CHIP C 1.0UF K	
C446			CK73HB1A104K	CHIP C 0.10UF K		CN1			E41-2594-05	FLAT CABLE CONNECTOR	
C448,449			C93-1228-05	CHIP C 1UF M		CN3			E41-2596-05	FLAT CABLE CONNECTOR	
C450			CK73HB1A104K	CHIP C 0.10UF K		CN6			E41-2603-05	FLAT CABLE CONNECTOR	
C452			C93-1228-05	CHIP C 1UF M		CN10			E41-2602-05	FLAT CABLE CONNECTOR	
C454,455			CK73HB1A104K	CHIP C 0.10UF K		L1			L92-0365-05	CHIP FERRITE	
C456-458			CK73HB1H682K	CHIP C 6800PF K		L2-4			L92-0612-05	CHIP FERRITE	
C461			CK73HB1H472K	CHIP C 4700PF K		L5,6			L92-0611-05	CHIP FERRITE	
C462			CK73HB1E103K	CHIP C 0.010UF K		L7,8			L92-0612-05	CHIP FERRITE	
C464			CK73HB0J105K	CHIP C 1.0UF K		L10			L33-2281-05	SMALL FIXED INDUCTOR	
C466			CK73HB1A104K	CHIP C 0.10UF K		L11			L33-2280-05	SMALL FIXED INDUCTOR	
C467			CC73HCH1H121J	CHIP C 120PF J		L12-14			L92-0365-05	CHIP FERRITE	
C468,469			CK73HB1A104K	CHIP C 0.10UF K		L15			L92-0612-05	CHIP FERRITE	
C470			CK73HB1E103K	CHIP C 0.010UF K		L20			L92-0617-05	CHIP FERRITE	
C473			CK73HB1A104K	CHIP C 0.10UF K		L21			L92-0612-05	CHIP FERRITE	
C474			CC73HCH1H102J	CHIP C 1000PF J		L22			L92-0838-05	CHIP FERRITE	
C476			CC73HCH1H101J	CHIP C 100PF J		X1			L77-2924-05	CRYSTAL RESONATOR (27MHZ,30PPM)	
C477-479			CK73FB0J226M	CHIP C 22UF M		CP1-9			RK74HB1J470J	CHIP-COM 47 J 1/16W	
C480			CK73HB1A104K	CHIP C 0.10UF K		CP36,37			RK74HB1J103J	CHIP-COM 10K J 1/16W	
C481			CC73HCH1H151J	CHIP C 150PF J		CP44,45			RK74HB1J330J	CHIP-COM 33 J 1/16W	
C482			CC73HCH1H471J	CHIP C 470PF J		CP54-56			RK74HB1J330J	CHIP-COM 33 J 1/16W	
C483			CC73HCH1H102J	CHIP C 1000PF J		CP57			RK74HB1J820J	CHIP-COM 82 J 1/16W	
C484			CK73HB1E103K	CHIP C 0.010UF K		CP58			RK74HB1J330J	CHIP-COM 33 J 1/16W	
C485			CC73HCH1H151J	CHIP C 150PF J		CP59-68			RK74HB1J103J	CHIP-COM 10K J 1/16W	
C486			CC73HCH1H471J	CHIP C 470PF J		CP69			RK74HB1J220J	CHIP-COM 22 J 1/16W	
C487			CC73HCH1H102J	CHIP C 1000PF J		CP69-73			RK74HB1J103J	CHIP-COM 10K J 1/16W	
C488			CK73HB1E103K	CHIP C 0.010UF K		R1-4			RK73HB1J103J	CHIP R 10K J 1/16W	
C489			CC73HCH1H151J	CHIP C 150PF J							
C490			CC73HCH1H471J	CHIP C 470PF J							

E2 : DNX7220 (Europe)
 K1 : DDX712 K2 : DNX7120 (North America)
 X2 : DDX7032 X3 : DNX7320 (Australia) R2 : DDX7032 (Latin America)
 M2 : DDX7032 M4 : DDX7032M M5 : DNX7320 (Other Areas)

△ Indicates safety critical components.

PARTS LIST

DVD UNIT (X37-1120-06) IN DVD MECHA.

Ref. No.	A d d	N e w	Parts No.	Description	Desti- nation
R5,6			RK73HH1J123D	CHIP R 12K D 1/16W	
R10			RK73HB1J163J	CHIP R 16K J 1/16W	
R16			RK73HB1J103J	CHIP R 10K J 1/16W	
R17			RK73HB1J271J	CHIP R 270 J 1/16W	
R19			RK73HB1J301J	CHIP R 300 J 1/16W	
R21,22			RK73HH1J103D	CHIP R 10K D 1/16W	
R24			RK73HB1J4R7J	CHIP R 4.7 J 1/16W	
R79			RK73HB1J102J	CHIP R 1.0K J 1/16W	
R80			RK73HB1J220J	CHIP R 22 J 1/16W	
R81			RK73HB1J470J	CHIP R 47 J 1/16W	
R84,85			RK73HB1J202J	CHIP R 2.0K J 1/16W	
R86			RK73HB1J105J	CHIP R 1.0M J 1/16W	
R87			RK73HB1J102J	CHIP R 1.0K J 1/16W	
R89			RK73HH1J303D	CHIP R 30K D 1/16W	
R90			RK73HB1J223J	CHIP R 22K J 1/16W	
R91			RK73HB1J470J	CHIP R 47 J 1/16W	
R92			RK73HH1J123D	CHIP R 12K D 1/16W	
R94			RK73HH1J512D	CHIP R 5.1K D 1/16W	
R111			RK73HB1J220J	CHIP R 22 J 1/16W	
R112,113			RK73HB1J101J	CHIP R 100 J 1/16W	
R116			RK73HB1J103J	CHIP R 10K J 1/16W	
R119			RK73HB1J103J	CHIP R 10K J 1/16W	
R121			RK73HB1J182J	CHIP R 1.8K J 1/16W	
R122			RK73HB1J472J	CHIP R 4.7K J 1/16W	
R131			RK73HB1J220J	CHIP R 22 J 1/16W	
R150,151			RK73HB1J100J	CHIP R 10 J 1/16W	
R152,153			RK73HB1J471J	CHIP R 470 J 1/16W	
R154,155			RK73HB1J751J	CHIP R 750 J 1/16W	
R156,157			RK73HB1J560J	CHIP R 56 J 1/16W	
R158,159			RK73HB1J2R2J	CHIP R 2.2 J 1/16W	
R162,163			RK73HB1J104J	CHIP R 100K J 1/16W	
R164,165			RK73HH1J101D	CHIP R 100 D 1/16W	
R200-203			RK73HH1J201D	CHIP R 200 D 1/16W	
R204-207			RK73HH1J151D	CHIP R 150 D 1/16W	
R208			RK73HB1J4R7J	CHIP R 4.7 J 1/16W	
R251			RK73HB1J1R0J	CHIP R 1.0 J 1/16W	
R254			RK73HH1J912D	CHIP R 9.1K D 1/16W	
R255			RK73HH1J752D	CHIP R 7.5K D 1/16W	
R256			RK73HH1J331D	CHIP R 330 D 1/16W	
R257			RK73HH1J912D	CHIP R 9.1K D 1/16W	
R258			RK73HH1J752D	CHIP R 7.5K D 1/16W	
R259			RK73HH1J331D	CHIP R 330 D 1/16W	
R260			RK73HH1J912D	CHIP R 9.1K D 1/16W	
R261			RK73HH1J752D	CHIP R 7.5K D 1/16W	
R262			RK73HH1J331D	CHIP R 330 D 1/16W	
R263			RK73HH1J912D	CHIP R 9.1K D 1/16W	
R264			RK73HH1J752D	CHIP R 7.5K D 1/16W	
R265			RK73HH1J331D	CHIP R 330 D 1/16W	
R266,267			RK73HH1J101D	CHIP R 100 D 1/16W	
R269			RK73HB1J100J	CHIP R 10 J 1/16W	
R275,276			RK73HB1J472J	CHIP R 4.7K J 1/16W	
R300,301			RK73HH1J472J	CHIP R 4.7K D 1/16W	
R302,303			RK73HH1J183D	CHIP R 18K D 1/16W	
R304			RK73HH1J202D	CHIP R 2.0K D 1/16W	
R305			RK73HB1J163J	CHIP R 16K J 1/16W	

Ref. No.	A d d	N e w	Parts No.	Description	Desti- nation
R350,351			RK73HB1J4R7J	CHIP R 4.7 J 1/16W	
R400-402			RK73HB1J470J	CHIP R 47 J 1/16W	
R409			RK73HB1J470J	CHIP R 47 J 1/16W	
R410,411			RK73HB1J102J	CHIP R 1.0K J 1/16W	
R450			RK73HB1J202J	CHIP R 2.0K J 1/16W	
R458			RK73HB1J220J	CHIP R 22 J 1/16W	
R464,465			RK73HH1J101D	CHIP R 100 D 1/16W	
R467			RK73HB1J470J	CHIP R 47 J 1/16W	
R468-470			RK73HB1J103J	CHIP R 10K J 1/16W	
R471			RK73HB1J820J	CHIP R 82 J 1/16W	
R472,473			RK73HB1J330J	CHIP R 33 J 1/16W	
R475			R92-3350-05	CHIP R 2.2 F 1/10W	
R476			R92-5112-05	CHIP R 4.7 F 1/10W	
R477			RK73GH2A111D	CHIP R 110 D 1/10W	
R478			RK73HH1J472D	CHIP R 4.7K D 1/16W	
R480			RK73HH1J202D	CHIP R 2.0K D 1/16W	
R481			RK73HH1J203D	CHIP R 20K D 1/16W	
R482-484			RK73HB1J820J	CHIP R 82 J 1/16W	
R485			RK73HB1J102J	CHIP R 1.0K J 1/16W	
R486,487			RK73HB1J103J	CHIP R 10K J 1/16W	
R489			RK73HB1J220J	CHIP R 22 J 1/16W	
R491-493			RK73HB1J751J	CHIP R 750 J 1/16W	
R496,497			RK73HB1J102J	CHIP R 1.0K J 1/16W	
R498			RK73HB1J101J	CHIP R 100 J 1/16W	
R501			RK73HH1J132D	CHIP R 1.3K D 1/16W	
R502			RK73HH1J333D	CHIP R 33K D 1/16W	
R503			RK73HH1J203D	CHIP R 20K D 1/16W	
R504			RK73HB1J242J	CHIP R 2.4K J 1/16W	
R505			RK73HB1J821J	CHIP R 820 J 1/16W	
R507			RK73HB1J103J	CHIP R 10K J 1/16W	
R508			RK73HB1J225J	CHIP R 2.2M J 1/16W	
R509			RK73HB1J102J	CHIP R 1.0K J 1/16W	
R510			RK73HB1J103J	CHIP R 10K J 1/16W	
R511			RK73HB1J473J	CHIP R 47K J 1/16W	
R512,513			RK73HB1J103J	CHIP R 10K J 1/16W	
R514-517			RK73HB1J220J	CHIP R 22 J 1/16W	
R518-522			RK73HB1J103J	CHIP R 10K J 1/16W	
R523,524			RK73HB1J4R7J	CHIP R 4.7 J 1/16W	
R525			RK73HB1J000J	CHIP R 0.0 J 1/16W	
R530			RK73HB1J000J	CHIP R 0.0 J 1/16W	
R531			RK73HB1J471J	CHIP R 470 J 1/16W	
R532			RK73HB1J472J	CHIP R 4.7K J 1/16W	
R533			RK73HH1J683D	CHIP R 68K D 1/16W	
R535-538			RK73HH1J821D	CHIP R 820 D 1/16W	
R539			RK73HB1J4R7J	CHIP R 4.7 J 1/16W	
R541			RK73HH1J122D	CHIP R 1.2K D 1/16W	
R544-559			RK73HB1J2R2J	CHIP R 2.2 J 1/16W	
R560			RK73HB1J000J	CHIP R 0.0 J 1/16W	
R561,562			RK73HH1J682D	CHIP R 6.8K D 1/16W	
R563			RK73HH1J122D	CHIP R 1.2K D 1/16W	
R564			RK73HB1J4R7J	CHIP R 4.7 J 1/16W	
R574-576			RK73HB1J000J	CHIP R 0.0 J 1/16W	
R583,584			RK73HH1J391D	CHIP R 390 D 1/16W	
R588			R92-5112-05	CHIP R 4.7 F 1/10W	
R591			RK73HB1J820J	CHIP R 82 J 1/16W	

E2 : DNX7220 (Europe)

K1 : DDX712 K2 : DNX7120 (North America)

X2 : DDX7032 X3 : DNX7320 (Australia) R2 : DDX7032 (Latin America)

M2 : DDX7032 M4 : DDX7032M M5 : DNX7320 (Other Areas)

△ Indicates safety critical components.

PARTS LIST

DVD UNIT (X37-1120-06) IN DVD MECHA.

Ref. No.	Add	New	Parts No.	Description	Destination
R599,600			RK73HB1J103J	CHIP R 10K J 1/16W	
R601-604			RK73HB1J102J	CHIP R 1.0K J 1/16W	
R605,606			RK73HB1J103J	CHIP R 10K J 1/16W	
R614			RK73HH1J102D	CHIP R 1.0K D 1/16W	
R615			RK73HB1J1R0J	CHIP R 1.0 J 1/16W	
R617			RK73HB1J000J	CHIP R 0.0 J 1/16W	
R619			RK73HB1J513J	CHIP R 51K J 1/16W	
R620			RK73HB1J333J	CHIP R 33K J 1/16W	
R621			RK73HB1J103J	CHIP R 10K J 1/16W	
R622			RK73HB1J333J	CHIP R 33K J 1/16W	
R623			RK73HB1J220J	CHIP R 22 J 1/16W	
R624-626			RK73HH1J332D	CHIP R 3.3K D 1/16W	
R627			RK73HB1J103J	CHIP R 10K J 1/16W	
R628,629			R92-5147-05	CHIP R 1.2 D 1/4W	
R630,631			R92-5146-05	CHIP R 1.0 D 1/4W	
R632			RK73HH1J270D	CHIP R 27 D 1/16W	
R633			RK73HB1J472J	CHIP R 4.7K J 1/16W	
R634			RK73HB1J103J	CHIP R 10K J 1/16W	
R636			RK73HB1J220J	CHIP R 22 J 1/16W	
R638-645			RK73HB1J2R2J	CHIP R 2.2 J 1/16W	
S1			S68-0911-15	PUSH SWITCH	
S2			S68-0914-05	PUSH SWITCH	
D5,6			015AZ5.1-F(Y)	ZENER DIODE	
D7			1SS402-F	DIODE	
IC1			MN2DS0016AAUB	MOS-IC	
IC5			-	ROM IC	
IC9			-	ROM IC	
IC10			AN41250A-VB	ANALOGUE IC	
IC12			MM1671XNRE	ANALOGUE IC	
IC15			AK4396VF	MOS-IC	
IC21			-	MOS-IC	
IC39			NJU7042	ANALOGUE IC	
IC42			TC74VHC273FT	MOS-IC	
IC49			TC7SG04FU-F	MOS-IC	
IC50,51			NJM4580V-ZB	ANALOGUE IC	
IC54		*	HY139S12816F7	DRAM IC	
IC55			TC7WH32FU-F	MOS-IC	
IC56			HD74LV1GW57AE	MOS-IC	
IC57			NJM2573V-ZB	ANALOGUE IC	
IC60			-	ANALOGUE IC	
Q1-4			DTA143XE	DIGITAL TRANSISTOR	
Q10,11			2SC4617	TRANSISTOR	
Q12,13			2SB1709	TRANSISTOR	
Q14,15			2SK3019	FET	
Q20,21			2SK3019	FET	
Q24			SSM3J15FU-F	FET	
Q25			DTA143XE	DIGITAL TRANSISTOR	
Q27			DTA143ZE	DIGITAL TRANSISTOR	
Q28,29			2SA1774	TRANSISTOR	
DIGITAL I/O UNIT (X88-2030-11)					
C100			CC73HCH1H101J	CHIP C 100PF J	
C102-105			CK73HB1A104K	CHIP C 0.10UF K	
C106			CK73FB0J106K	CHIP C 10UF K	
C107-110			CK73HB1A104K	CHIP C 0.10UF K	

Ref. No.	Add	New	Parts No.	Description	Destination
C112			CK73EB0J226K	CHIP C 22UF K	
C113			C92-1983-05	ELECTRO 100UF 4WV	
C114-124			CK73HB1A104K	CHIP C 0.10UF K	
C126-130			CK73HB1A104K	CHIP C 0.10UF K	
C133,134			CK73FB0J106K	CHIP C 10UF K	
C135			CK73HB1A104K	CHIP C 0.10UF K	
C138,139			CC73HCH1H100D	CHIP C 10PF D	
C142			CE32BN0J221M	CHIP EL 220UF 6.3WV	
C143			CK73HB0J105K	CHIP C 1.0UF K	
C144			CK73HB1A104K	CHIP C 0.10UF K	
C149			CK73HB1A104K	CHIP C 0.10UF K	
C153			CK73HB0J105K	CHIP C 1.0UF K	
C154			CK73HB1A104K	CHIP C 0.10UF K	
C200			CC73HCH1H220J	CHIP C 22PF J	
C201			CK73HB1A104K	CHIP C 0.10UF K	
C202			CC73HCH1H220J	CHIP C 22PF J	
C217-226			CK73HB1A104K	CHIP C 0.10UF K	
C227,228			CK73FB0J106K	CHIP C 10UF K	
C233-236			CK73HB1A104K	CHIP C 0.10UF K	
C244			CK73FB0J106K	CHIP C 10UF K	
C264			CK73HB1A104K	CHIP C 0.10UF K	
C275			CK73FB0J106K	CHIP C 10UF K	
C309-312			CK73HB1A104K	CHIP C 0.10UF K	
C318			CK73HB1A104K	CHIP C 0.10UF K	
C322			CK73HB1A104K	CHIP C 0.10UF K	
C329			CC73HCH1H270J	CHIP C 27PF J	
C331			CK73FB0J106K	CHIP C 10UF K	
C332			CK73HB1A104K	CHIP C 0.10UF K	
C336			CK73FB0J106K	CHIP C 10UF K	
C337,338			CK73HB1H152K	CHIP C 1500PF K	
C340,341			CC73HCH1H331J	CHIP C 330PF J	
C342			CK73HB1E103K	CHIP C 0.010UF K	
C456			CK73EB1A106K	CHIP C 10UF K	
C460			CK73HB1A104K	CHIP C 0.10UF K	
C468			CK73FB0J106K	CHIP C 10UF K	
C482			CK73GB1H222K	CHIP C 2200PF K	
C601,602			CC73HCH1H470J	CHIP C 47PF J	
C700-713			CK73HB1H222K	CHIP C 2200PF K	
C715			CK73HB1A104K	CHIP C 0.10UF K	
C900			CK73HB1H222K	CHIP C 2200PF K	
C901,902			CK73HB1H102K	CHIP C 1000PF K	
C903,904			CK73HB1H222K	CHIP C 2200PF K	
C905			CK73HB1H102K	CHIP C 1000PF K	
C906			CK73FB0J106K	CHIP C 10UF K	
C907,908			CK73HB1A104K	CHIP C 0.10UF K	
C909			CK73FB0J106K	CHIP C 10UF K	
C910			CK73HB1C473K	CHIP C 0.047UF K	
C912			CK73HB1A104K	CHIP C 0.10UF K	
CN101			E41-2839-05	PIN ASSY	
CN210			E41-2195-05	FLAT CABLE CONNECTOR	
CN328			E41-2237-05	FLAT CABLE CONNECTOR	
L901,902			L92-0321-05	CHIP FERRITE	
X100			L77-2941-05	CRYSTAL RESONATOR (14.7456MHZ)	
X202			L77-2917-15	CRYSTAL RESONATOR (32.768KHZ)	

E2 : DNX7220 (Europe)
 K1 : DDX712 K2 : DNX7120 (North America)
 X2 : DDX7032 X3 : DNX7320 (Australia) R2 : DDX7032 (Latin America)
 M2 : DDX7032 M4 : DDX7032M M5 : DNX7320 (Other Areas)

△ Indicates safety critical components.

The IC5,9,21 and IC60 in the DVD unit (X37-1120-06) are not replaceable components. When these ICs are defective, replace the whole DVD mechanism assembly (X92-6180-01).

PARTS LIST

DIGITAL I/O UNIT (X88-2030-11)

Ref. No.	Ad	New	Parts No.	Description	Destination
CP104-109			RK74HB1J220J	CHIP-COM 22 J 1/16W	
CP117-127			RK74HB1J220J	CHIP-COM 22 J 1/16W	
CP128-134			RK74HB1J103J	CHIP-COM 10K J 1/16W	
CP135-138			RK74HB1J220J	CHIP-COM 22 J 1/16W	
CP139-142			RK74HB1J330J	CHIP-COM 33 J 1/16W	
CP143-146			RK74HB1J680J	CHIP-COM 68 J 1/16W	
CP147-154			RK74HB1J103J	CHIP-COM 10K J 1/16W	
CP155-160			RK74HB1J220J	CHIP-COM 22 J 1/16W	
R1,2			RK73HB1J473J	CHIP R 47K J 1/16W	
R9,10			RK73HB1J220J	CHIP R 22 J 1/16W	
R12			RK73HB1J000J	CHIP R 0.0 J 1/16W	
R13			RK73HB1J473J	CHIP R 47K J 1/16W	
R14			RK73HB1J561J	CHIP R 560 J 1/16W	
R15,16			RK73EB2E000J	CHIP R 0.0 J 1/4W	
R17,18			RK73HB1J153J	CHIP R 15K J 1/16W	
R24			RK73HB1J220J	CHIP R 22 J 1/16W	
R29			RK73HB1J473J	CHIP R 47K J 1/16W	
R31			RK73HB1J473J	CHIP R 47K J 1/16W	
R33			RK73HB1J473J	CHIP R 47K J 1/16W	
R34-37			RK73FB2B330J	CHIP R 33 J 1/8W	
R104			RK73HB1J330J	CHIP R 33 J 1/16W	
R105			RK73HB1J103J	CHIP R 10K J 1/16W	
R107-109			RK73HB1J103J	CHIP R 10K J 1/16W	
R112			RK73HB1J222J	CHIP R 2.2K J 1/16W	
R115			RK73HB1J222J	CHIP R 2.2K J 1/16W	
R116			RK73HB1J103J	CHIP R 10K J 1/16W	
R118			RK73HB1J103J	CHIP R 10K J 1/16W	
R121			RK73HB1J222J	CHIP R 2.2K J 1/16W	
R123			RK73HB1J222J	CHIP R 2.2K J 1/16W	
R124			RK73HB1J473J	CHIP R 47K J 1/16W	
R126			RK73HB1J473J	CHIP R 47K J 1/16W	
R129			RK73HB1J222J	CHIP R 2.2K J 1/16W	
R130,131			RK73HB1J220J	CHIP R 22 J 1/16W	
R134			RK73HB1J220J	CHIP R 22 J 1/16W	
R139			RK73HB1J105J	CHIP R 1.0M J 1/16W	
R140			RK73HB1J222J	CHIP R 2.2K J 1/16W	
R141,142			RK73EB2E000J	CHIP R 0.0 J 1/4W	
R145,146			RK73HB1J153J	CHIP R 15K J 1/16W	
R147			RK73HB1J220J	CHIP R 22 J 1/16W	
R148			RK73HB1J473J	CHIP R 47K J 1/16W	
R149			RK73HB1J472J	CHIP R 4.7K J 1/16W	
R150			RK73HB1J220J	CHIP R 22 J 1/16W	
R153			RK73HB1J000J	CHIP R 0.0 J 1/16W	
R157-159			RK73HB1J220J	CHIP R 22 J 1/16W	
R163			RK73HB1J220J	CHIP R 22 J 1/16W	
R164,165			RK73HB1J470J	CHIP R 47 J 1/16W	
R166-169			RK73HB1J220J	CHIP R 22 J 1/16W	
R170,171			RK73HB1J330J	CHIP R 33 J 1/16W	
R172,173			RK73HB1J680J	CHIP R 68 J 1/16W	
R174,175			RK73HB1J470J	CHIP R 47 J 1/16W	
R176			RK73HB1J220J	CHIP R 22 J 1/16W	
R177-192			RK73HB1J473J	CHIP R 47K J 1/16W	
R193-198			RK73HB1J220J	CHIP R 22 J 1/16W	
R199			RK73HB1J473J	CHIP R 47K J 1/16W	
R200			RK73HB1J330J	CHIP R 33 J 1/16W	

Ref. No.	Ad	New	Parts No.	Description	Destination
R202			RK73HB1J106J	CHIP R 10M J 1/16W	
R203			RK73HB1J334J	CHIP R 330K J 1/16W	
R219-221			RK73HB1J472J	CHIP R 4.7K J 1/16W	
R223			RK73HB1J473J	CHIP R 47K J 1/16W	
R248-250			RK73HB1J473J	CHIP R 47K J 1/16W	
R255			RK73HH1J104D	CHIP R 100K D 1/16W	
R258-260			RK73HB1J473J	CHIP R 47K J 1/16W	
R265-270			RK73HB1J472J	CHIP R 4.7K J 1/16W	
R273			RK73HB1J000J	CHIP R 0.0 J 1/16W	
R284-287			RK73HB1J473J	CHIP R 47K J 1/16W	
R291			RK73HB1J330J	CHIP R 33 J 1/16W	
R292-295			RK73HB1J473J	CHIP R 47K J 1/16W	
R297			RK73HB1J103J	CHIP R 10K J 1/16W	
R304,305			RK73HB1J103J	CHIP R 10K J 1/16W	
R308			RK73HB1J103J	CHIP R 10K J 1/16W	
R310			RK73HB1J103J	CHIP R 10K J 1/16W	
R320-322			RK73HB1J103J	CHIP R 10K J 1/16W	
R324,325			RK73HB1J123J	CHIP R 12K J 1/16W	
R326,327			RK73HB1J752J	CHIP R 7.5K J 1/16W	
R328,329			RK73HB1J392J	CHIP R 3.9K J 1/16W	
R332,333			RK73HB1J151J	CHIP R 150 J 1/16W	
R438			RK73HB1J103J	CHIP R 10K J 1/16W	
R440			RK73HB1J103J	CHIP R 10K J 1/16W	
R481,482			RK73HB1J000J	CHIP R 0.0 J 1/16W	
R485-487			RK73HB1J000J	CHIP R 0.0 J 1/16W	
R506,507			RK73HB1J000J	CHIP R 0.0 J 1/16W	
R522			RK73HB1J680J	CHIP R 68 J 1/16W	
R523			RK73HB1J000J	CHIP R 0.0 J 1/16W	
R600,601			RK73HB1J220J	CHIP R 22 J 1/16W	
R602,603			RK73HB1J153J	CHIP R 15K J 1/16W	
R604,605			RK73EB2E000J	CHIP R 0.0 J 1/4W	
R701			RK73HB1J000J	CHIP R 0.0 J 1/16W	
R703			RK73GB2A106J	CHIP R 10M J 1/10W	
R705			RK73HB1J331J	CHIP R 330 J 1/16W	
R707,708			RK73EB2E000J	CHIP R 0.0 J 1/4W	
R710			RK73EB2E000J	CHIP R 0.0 J 1/4W	
R713-715			RK73EB2E000J	CHIP R 0.0 J 1/4W	
R903			RK73HB1J000J	CHIP R 0.0 J 1/16W	
R910-912			RK73HB1J473J	CHIP R 47K J 1/16W	
R917			RK73EB2E000J	CHIP R 0.0 J 1/4W	
R918			RK73HB1J222J	CHIP R 2.2K J 1/16W	
R920			RK73FB2B000J	CHIP R 0.0 J 1/8W	
R923			RK73HB1J000J	CHIP R 0.0 J 1/16W	
R926			RK73GB2A106J	CHIP R 10M J 1/10W	
R927,928			RK73HB1J472J	CHIP R 4.7K J 1/16W	
R929			RK73HB1J000J	CHIP R 0.0 J 1/16W	
R930			RK73EB2E000J	CHIP R 0.0 J 1/4W	
R931			RK73HB1J000J	CHIP R 0.0 J 1/16W	
R934			RK73HB1J103J	CHIP R 10K J 1/16W	
D102,103			AVRL1613R3FTA	VARISTOR	
IC100			MIC2005-08YM6	MOS-IC	
IC104		*	74HC1G86GW	MOS-IC	
IC105			SI-3018KM	ANALOGUE IC	
IC106			-	MICROPROCESSOR IC	

E2 : DNX7220 (Europe)
 K1 : DDX712 K2 : DNX7120 (North America)
 X2 : DDX7032 X3 : DNX7320 (Australia) R2 : DDX7032 (Latin America)
 M2 : DDX7032 M4 : DDX7032M M5 : DNX7320 (Other Areas)

△ Indicates safety critical components.

The IC106 in the Digital I/O unit (X88-2030-11) are not replaceable components. When this IC are defective, replace the whole Digital I/O unit (X88-2030-11).

PARTS LIST

DIGITAL I/O UNIT (X88-2030-11)

Ref. No.	Add	New	Parts No.	Description	Destination
IC108			74AHC1G04GW	MOS-IC	
IC200			TC7WHU04FU-F	MOS-IC	
IC202,203			MT48LC16M16P75	DRAM IC	
IC207			341S2094	MICROPROCESSOR IC	
IC211		*	GL256N10TF0A3	ROM IC	
IC302			BH7240AKV	MOS-IC	
IC305			NJM2100V-ZB	ANALOGUE IC	
IC901			PCM1754DB	MOS-IC	
IC902			TAR5S50-F	ANALOGUE IC	
IC903			TC7WH08FK-F	MOS-IC	
DAUGHTER UNIT (X89-3062-71)					
C1			CC73GCH1H180J	CHIP C 18PF J	E2
C2			CC73GCH1H070D	CHIP C 7.0PF D	E2
C3			CC73GCH1H150J	CHIP C 15PF J	E2
C4			CC73GCH1H180J	CHIP C 18PF J	E2
C5			CC73GCH1H390J	CHIP C 39PF J	E2
C6			CC73GCH1H020C	CHIP C 2.0PF C	E2
C7			CC73GCH1H120J	CHIP C 12PF J	E2
C8			CK73FB1C105K	CHIP C 1.0UF K	E2
C10-12			CC73GCH1H102J	CHIP C 1000PF J	E2
C13			CC73GCH1H221J	CHIP C 220PF J	E2
C14			CC73GCH1H030C	CHIP C 3.0PF C	E2
C15,16			CC73GCH1H560J	CHIP C 56PF J	E2
C17			CC73GCH1H102J	CHIP C 1000PF J	E2
CN2		*	E41-3009-05	PIN ASSY	E2
W1		*	E30-6804-05	CORD WITH PLUG (JASO)	E2
W2		*	E30-6805-05	CORD WITH PLUG (PIN)	E2
L1			L41-2705-33	SMALL FIXED INDUCTOR (27U)	E2
L2			L41-1588-18	SMALL FIXED INDUCTOR	E2
L3			L41-1805-33	SMALL FIXED INDUCTOR (18U)	E2
L4,5			L41-1588-18	SMALL FIXED INDUCTOR	E2
L6		*	L19-0825-05	BALUN TRANSFORMER	E2
L8		*	L41-1888-18	SMALL FIXED INDUCTOR (0.18U)	E2
R1			RK73GB2A104J	CHIP R 100K J 1/10W	E2
R3			RK73GB2A562J	CHIP R 5.6K J 1/10W	E2
R4			RK73GB2A332J	CHIP R 3.3K J 1/10W	E2
R5			RK73GB2A331J	CHIP R 330 J 1/10W	E2
R6			RK73GB2A391J	CHIP R 390 J 1/10W	E2
R7,8			RK73GB2A330J	CHIP R 33 J 1/10W	E2
R10			RK73GB2A431J	CHIP R 430 J 1/10W	E2
R11			RK73GB2A270J	CHIP R 27 J 1/10W	E2
R12			RK73GB2A431J	CHIP R 430 J 1/10W	E2
R13			RK73GB2A151J	CHIP R 150 J 1/10W	E2
R14			RK73GB2A431J	CHIP R 430 J 1/10W	E2
R15			RK73GB2A270J	CHIP R 27 J 1/10W	E2
R17			RK73GB2A431J	CHIP R 430 J 1/10W	E2
D1			IMSA-6801-E	SURGE ABSORBER	E2
Q1			2SC3357-A	TRANSISTOR	E2
DVD MECHANISM ASSY (X92-6180-01) (DVS-8561V)					
1	1A	*	A10-5331-61	CHASSIS	
2	2B		A10-5332-51	CHASSIS	
3	1A		A10-5333-31	CHASSIS	
4	3A		A10-5460-02	CHASSIS	

Ref. No.	Add	New	Parts No.	Description	Destination
7	1B		D10-4918-22	ARM	
8	1B		D10-4919-22	ARM	
9	1B		D10-4920-02	LEVER	
10	1B		D10-4921-02	LEVER	
12	2B		D10-4922-12	SLIDER	
13	2A		D10-7011-02	ARM	
14	2B		D10-4924-13	ARM	
15	2B		D10-4925-12	ARM	
25	2B		D10-4973-04	SLIDER ASSY	
27	2A		D10-4945-04	LEVER	
28	2B		D12-0639-02	CAM	
31	2B		D13-2402-04	GEAR	
32	2B		D13-2403-04	GEAR	
33	2B		D13-2404-04	GEAR	
34	2B		D13-2405-04	GEAR	
35	2B		D13-2406-04	GEAR	
36	2B		D13-2407-04	GEAR	
40	2A		D13-2413-04	GEAR	
41	2A		D13-2415-04	GEAR	
42	2A		D13-2416-04	GEAR	
43	1B		D14-1013-14	ROLLER	
53	1B		D21-2487-24	SHAFT	
54	2A		D39-0275-05	DAMPER	
55	2A		D39-0276-05	DAMPER	
60	3A		F09-2825-23	SHEET	
65	2B		G01-3298-04	EXTENSION SPRING	
66	1B		G01-3299-04	EXTENSION SPRING	
67	2A		G01-3300-14	TORSION COIL SPRING	
68	2B		G01-4601-04	EXTENSION SPRING	
69	1B		G01-4602-04	EXTENSION SPRING	
70	1B		G01-4604-04	TORSION COIL SPRING	
74	2B		G01-4609-14	TORSION COIL SPRING	
75	1B		G02-1564-03	FLAT SPRING	
79	2A		J22-0475-21	MOUNTING HARDWARE	
80	3B		J22-0636-01	MOUNTING HARDWARE	
A	1A		N09-6382-05	MACHINE SCREW (M1.7X2.0)	
B	3B		N09-6408-15	TAPTITE SCREW (1.7X4 P-TITE)	
C	1B		N09-6426-15	MACHINE SCREW (LOAD ARM SCREW)	
D	3A		N09-6104-05	MACHINE SCREW (2X10 S-TITE)	
93	2A		T99-0471-05	MAGNET	
96	1B		X94-2080-00	ROLLER ASSY	
98	2A		X94-2060-00	TRAVERSE ASSY (PICKUP, SPINDLE)	
VM1	2A		X94-2070-00	MOTOR ASSY (LOADING)	

E2 : DNX7220 (Europe)
 K1 : DDX712 K2 : DNX7120 (North America)
 X2 : DDX7032 X3 : DNX7320 (Australia) R2 : DDX7032 (Latin America)
 M2 : DDX7032 M4 : DDX7032M M5 : DNX7320 (Other Areas)

△ Indicates safety critical components.