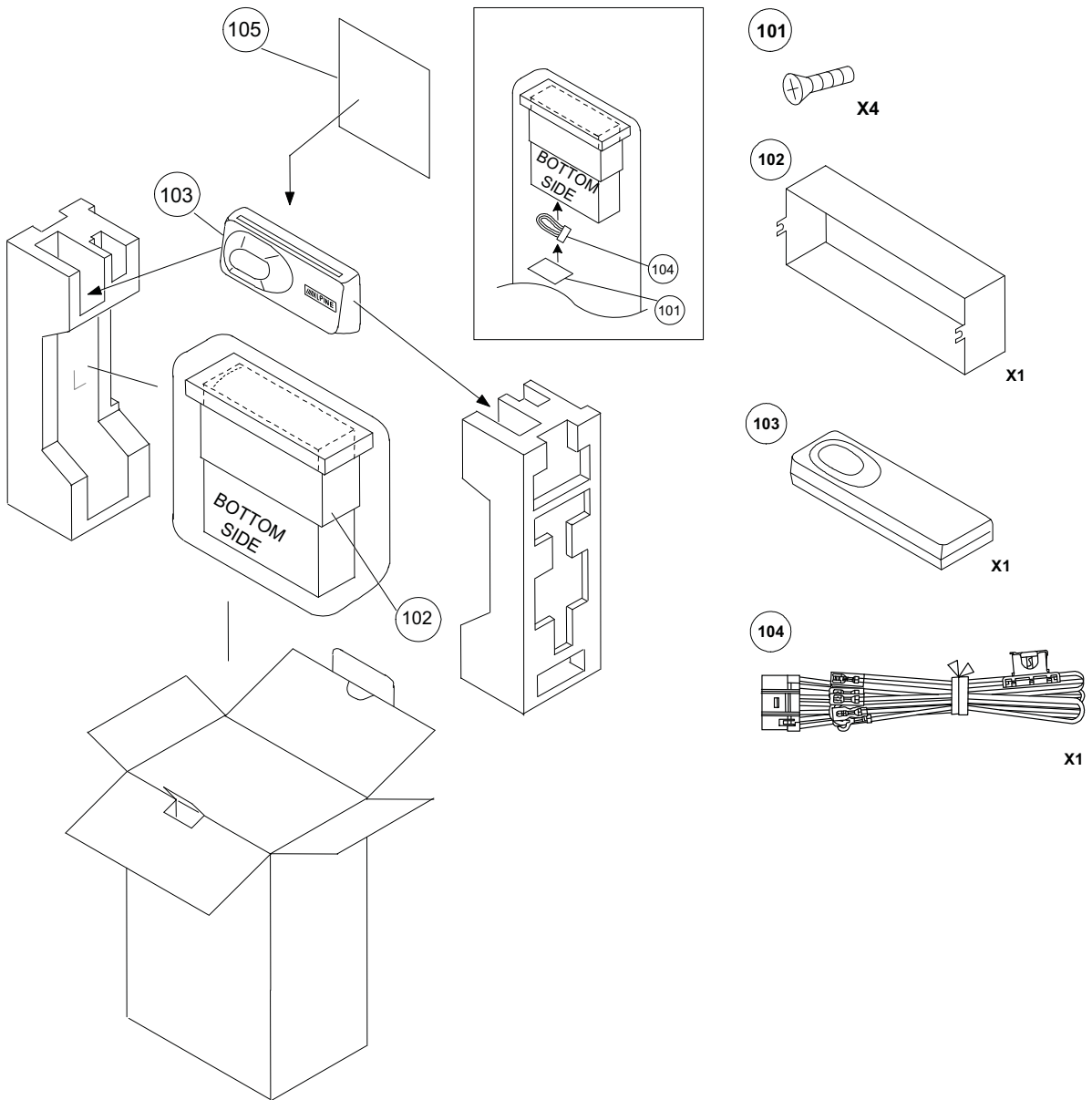


Packing Assembly Parts List

Symbol No.	Part No.	Description
101	03S72235F13	SCR,MCH M5X8 FLAT
102	15D00529K02	CASE,INNER
103	15D01798K01	CARRYING,CASE

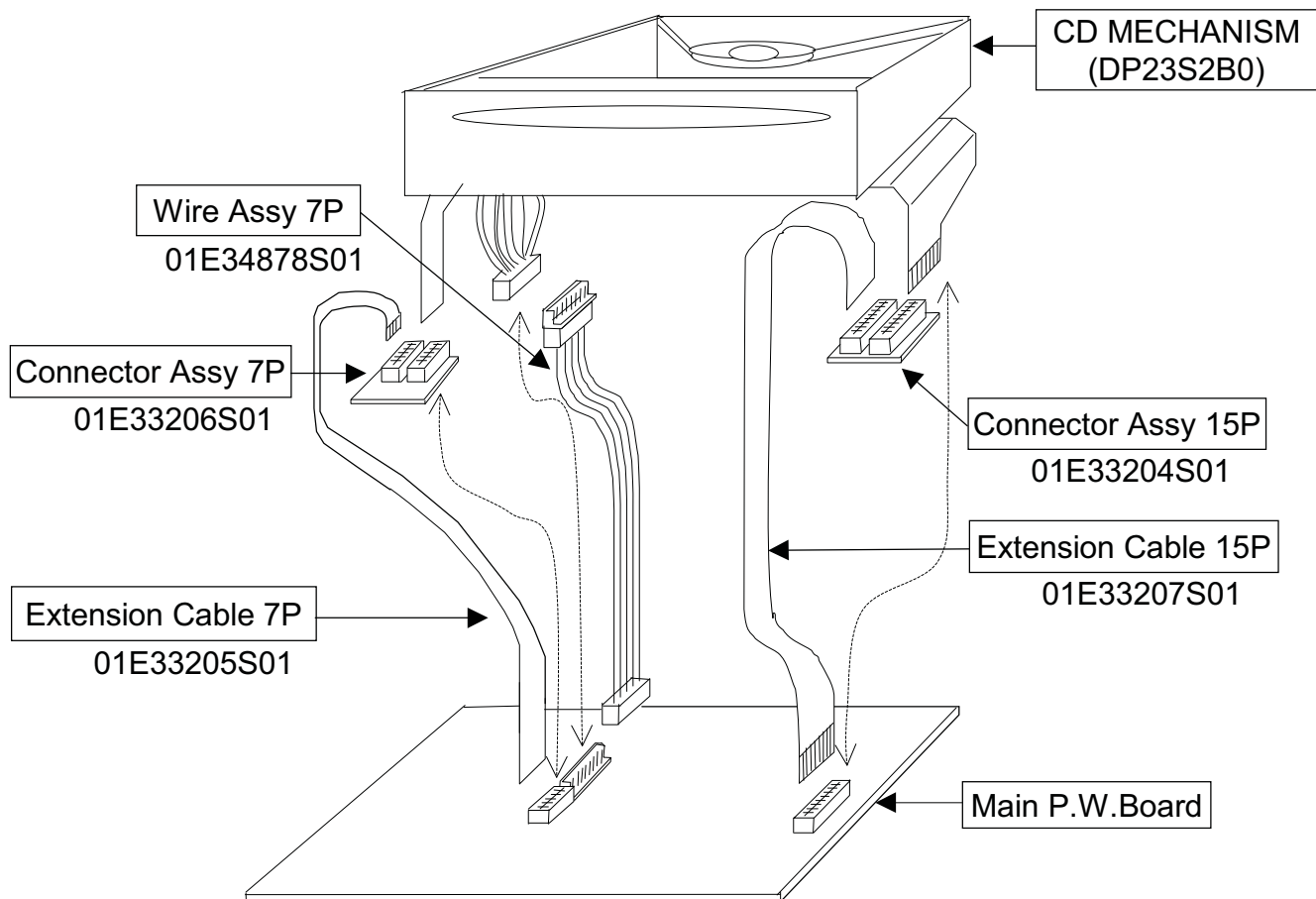
Symbol No.	Part No.	Description
104	01T02407K02	ASSY,WIRE PWR 9807A
105	68P02294K45	O/M A OAM AODN

Packing Method View



Extension Cable

* When repairing or measuring the voltage of this unit, connect with the Extension Cable as shown in below.



CDM-9803/CDM-9801

Electrical Parts List

Note:#1 : For CDM-9803 Model Only, \$1 : For CDM-9801 Model Only, Others:Common.

*****MAIN P.W.Board

=====IC's

	IC001	51T93333F01	NJM2904M-TE3	-SE2
	IC201	51T35261Y01	TDA7404	-SE9
#1	IC221	51T15468Y01	NJM2150AM-TE1	-SE6
#1	IC301	51T55148Y01	TA8273H	-ZS
\$1	IC301	51T45409Y01	TA8263BH	-ZS
#1	IC302	51T15420Y01	BA4560F-E2	-SE2
	IC501	51T65268Y01	IC,D178078GF-578	-QT
	IC701	51T55093Y01	BA5984FP-E2	-SEA
	IC702	51T55156Y01	UPD63711A	-QT
	IC704	51T55508Y01	AN80P50RSP-TX	-NE5
	IC751	51T15131Y01	NJM2360AM-TE2	-SE6
	IC801	51T95193W01	TDA3606AT	-SE9

=====Transistors

	Q002	48T64221F02	TR ,UN2112 22-22	-TX
	Q005	48T94875F04	DTB,CP-123YK-96	
	Q006	48T93828F04	TR,2SD1994A-S-TA	-RD
	Q007	48T93828F04	TR,2SD1994A-S-TA	-RD
	Q008	48T45594W12	TR ,XN1A312	-TX-CP
	Q010	48T52438F01	TR ,2SD601A-RS/TX-CP	
	Q301	48T62967F33	TR,DTC343TK-T146	-CP
	Q302	48T62967F33	TR,DTC343TK-T146	-CP
#1	Q303	48T62967F33	TR,DTC343TK-T146	-CP
	Q311	48T64222F02	TR ,UN2212 22-22	-TX
#1	Q321	48T62967F33	TR,DTC343TK-T146	-CP
	Q601	48T62966F03	TR,DTA124EKA-T146-CP	
	Q602	48T64222F02	TR ,UN2212 22-22	-TX
	Q603	48T64222F02	TR ,UN2212 22-22	-TX
	Q701	48T55462Y01	TR,2SB1132-QR-100-E2	
	Q702	48T94606F03	TR,DTC124EUA-T106-CP	
	Q751	48T15511W02	CP.2SB1261-TE2	-E5
	Q752	48T45594W12	TR ,XN1A312	-TX-CP
	Q801	48T84366F04	TR,2SB1243-QR-TV2-RD	
	Q802	48T64222F11	TR,UN221F-TX	-CP
	Q804	48T45594W16	TR,XN1A311-TX	-CP
	Q805	48T45594W12	TR ,XN1A312	-TX-CP
	Q806	48T45594W12	TR ,XN1A312	-TX-CP
	Q811	48T93828F04	TR,2SD1994A-S-TA	-RD
	Q812	48T45594W12	TR ,XN1A312	-TX-CP
	Q820	48T92368F04	TR,2SD1760 R	-E5
	Q822	48T45594W12	TR ,XN1A312	-TX-CP
	Q830	48T64222F02	TR ,UN2212 22-22	-TX
	Q831	48T45594W12	TR ,XN1A312	-TX-CP
	Q841	48T84366F04	TR,2SB1243-QR-TV2-RD	
	Q842	48T64222F12	TR,UN221L-TX	-CP
	Q843	48T84366F04	TR,2SB1243-QR-TV2-RD	
	Q844	48T64222F12	TR,UN221L-TX	-CP

=====Diodes

	D002	48T85357W01	DIO,1PS226	-CP
	D010	48T85357W01	DIO,1PS226	-CP

#1	D301	48T85270W01	DIO,MPG06G	-A5
\$1	D301	48T02162K01	DIO,SHT SRT14	-A5
#1	D302	48T85270W01	DIO,MPG06G	-A5
\$1	D302	48T02162K01	DIO,SHT SRT14	-A5
#1	D303	48T85270W01	DIO,MPG06G	-A5
\$1	D303	48T02162K01	DIO,SHT SRT14	-A5
#1	D304	48T85270W01	DIO,MPG06G	-A5
\$1	D304	48T02162K01	DIO,SHT SRT14	-A5
#1	D305	48T85270W01	DIO,MPG06G	-A5
\$1	D305	48T02162K01	DIO,SHT SRT14	-A5
#1	D306	48T85270W01	DIO,MPG06G	-A5
\$1	D306	48T02162K01	DIO,SHT SRT14	-A5
#1	D307	48T85270W01	DIO,MPG06G	-A5
\$1	D307	48T02162K01	DIO,SHT SRT14	-A5
#1	D308	48T85270W01	DIO,MPG06G	-A5
\$1	D308	48T02162K01	DIO,SHT SRT14	-A5
	D601	48T68828F01	DIO,1SS133	-A5
	D701	48T25665Y01	DIO,1SS355-TE17	-CP
	D702	48T25665Y01	DIO,1SS355-TE17	-CP
	D703	48T25665Y01	DIO,1SS355-TE17	-CP
	D751	48T85269W01	DIO,SHT SB040	-A5
	D801	48T25665Y01	DIO,1SS355-TE17	-CP
	D841	48T85270W01	DIO,MPG06G	-A5
	SD901	48T68580F03	DIO,SI DSA3A4-F5	
	ZD002	48T83128F23	DIO,ZEN.HZS 9B2L	-A5
	ZD801	48T83128F14	DIO,ZEN.HZS 7B2L	-A5
	ZD811	48T83128F25	DIO,ZEN.HZS 9C1L	-A5
	ZD821	48T83128F27	DIO,ZEN.HZS 9C3L	-A5
	=====Coils			
	L001	24T65053W18	IND,LAL02VD 4R7K	-R5
	L003	24T95456W12	FBI,BLM18AG102SH1-CP	
	L751	24T16271W13	COIL,RCR875D-221K	
	L901	25T01879K01	CHOKE,LAT1608-105-DB	
	Z501	24T95456W12	FBI,BLM18AG102SH1-CP	
	=====Crystals			
	CL701	91T55147Y01	OSC,CER CSACV16M9-E1	
	XL501	91T55360Y01	XTL,AT-51 4.500M	-R5
	=====Poly Switch			
	PS801	48T95226W01	TMT,PTGL05BA1R8M1-R5	
	=====Surge Protector			
	SA001	48T81909F01	PTT,DSP-201M	-A1
	=====Switch			
	SW601	40T16096W03	SW ,TACT SKHHLW(RESET)	
	=====Thermistor			
	TH501	48T25250Y01	TMT,ERTJ1VV104J	-CP
	=====Capacitors			
	C002	08S45676W80	CAP,CER 223K-B1E	-CP
	C009	08S45676W80	CAP,CER 223K-B1E	-CP
	C010	08S45676W80	CAP,CER 223K-B1E	-CP
	C011	08S65128F69	CAP,CER.103K-B1H	-CP
	C022	08S65128F65	CAP,CER.472K-B1H	-CP
	C110	08S65128F78	CAP,CER.223K-B1H	-CP
#1	C221	08T55390W23	CAP,TF 333J-1H	-R5
#1	C222	08T55390W23	CAP,TF 333J-1H	-R5
#1	C223	08S45676W67	CAP,CER.332K-B1H	-CP
#1	C224	08S45676W67	CAP,CER.332K-B1H	-CP
	C303	08T35122W17	CAP,MMTS-224-J	-R5

	C304	08T35122W17	CAP,MMTS-224-J -R5
	C305	08T35122W17	CAP,MMTS-224-J -R5
	C306	08T35122W17	CAP,MMTS-224-J -R5
	C311	08S45676W83	CAP,CER 473K-B1C -CP
	C312	08S45676W85	CAP,CER 104K-B1C -CP
	C313	08S45676W85	CAP,CER 104K-B1C -CP
	C314	08S35349Y08	CAP,CER 102K-B1H -CP
	C331	08S35349Y08	CAP,CER 102K-B1H -CP
#1	C332	08S35349Y08	CAP,CER 102K-B1H -CP
	C501	08S45677W12	CAP,CER.10RD-CH1H-CP
	C502	08S45677W12	CAP,CER.10RD-CH1H-CP
	C503	08S45676W85	CAP,CER 104K-B1C -CP
	C505	08S35349Y08	CAP,CER 102K-B1H -CP
	C506	08S45676W73	CAP,CER.103K-B1H -CP
	C507	08S45676W73	CAP,CER.103K-B1H -CP
	C603	08S45677W48	CAP,CER.331J-CH1H-CP
	C604	08S45677W60	CAP,CER 102J-CH1H-CP
	C611	08S45676W80	CAP,CER 223K-B1E -CP
	C701	08S45677W20	CAP,CER.22RJ-CH1H-CP
	C702	08S45676W85	CAP,CER 104K-B1C -CP
	C703	08S45676W80	CAP,CER 223K-B1E -CP
	C704	08S45676W80	CAP,CER 223K-B1E -CP
	C705	08S45676W85	CAP,CER 104K-B1C -CP
	C706	08S45676W85	CAP,CER 104K-B1C -CP
	C708	08S45676W85	CAP,CER 104K-B1C -CP
	C709	08S45676W85	CAP,CER 104K-B1C -CP
	C710	08S45676W85	CAP,CER 104K-B1C -CP
	C711	08S35349Y08	CAP,CER 102K-B1H -CP
	C712	08S45676W80	CAP,CER 223K-B1E -CP
	C714	08S45676W65	CAP,CER.222K-B1H -CP
	C715	08S45676W65	CAP,CER.222K-B1H -CP
	C718	08S45676W80	CAP,CER 223K-B1E -CP
	C719	08S45676W85	CAP,CER 104K-B1C -CP
	C720	08S45676W85	CAP,CER 104K-B1C -CP
	C721	08S45676W85	CAP,CER 104K-B1C -CP
	C722	08S45676W87	CAP,CER 333K-B1E -CP
	C723	08S45676W85	CAP,CER 104K-B1C -CP
	C724	08S45676W85	CAP,CER 104K-B1C -CP
	C725	08S45676W68	CAP,CER.392K-B1H -CP
	C726	08S45676W93	CAP,CER 224K-B1A -CP
	C727	08S45677W20	CAP,CER.22RJ-CH1H-CP
	C728	08S45677W07	CAP,CER.5R0C-CH1H-CP
	C730	08S45677W30	CAP,CER.56RJ-CH1H-CP
	C731	08S45677W26	CAP,CER.39RJ-CH1H-CP
	C732	08S45676W85	CAP,CER 104K-B1C -CP
	C734	08S45676W85	CAP,CER 104K-B1C -CP
	C736	08S45676W85	CAP,CER 104K-B1C -CP
	C749	08S45677W40	CAP,CER.151J-CH1H-CP
	C750	08S45677W54	CAP,CER 561J-CH1H-CP
	C751	08S45676W80	CAP,CER 223K-B1E -CP
	C752	08S82122F39	CAP,CER.121J-CH1H-CP
	C753	08S45676W63	CAP,CER 152K-B1H -CP
	C754	08S45676W80	CAP,CER 223K-B1E -CP
	C803	08S35374W01	CAP,CER 104K-B1E-CP
	C804	08S60102F44	CAP,CER 474K-B1E -CP
	C841	08T35122W13	CAP,MMTS-104-J -R5
	C901	08S65128F78	CAP,CER.223K-B1H -CP

	C903	08S45539Y04	CAP,CER 103KX7R2J-CP
	E001	23S75373W13	CAP,ELY 1R0-1H -R2
	E003	23S82372F19	CAP,ELY.2R2-1H-BP-R2
	E004	23S75373W06	CAP,ELY 101-1C -R2
	E005	23S75373W02	CAP,ELY 10R-1C -R2
	E006	23S75372W03	CAP,ELY 221-1A -H2
	E007	23S75373W06	CAP,ELY 101-1C -R2
	E010	23S75373W04	CAP,ELY 33R-1C -R2
	E201	23S75372W02	CAP,ELY 101-1A -R2
	E202	23S75373W05	CAP,ELY 47R-1C -R2
	E203	23S75373W13	CAP,ELY 1R0-1H -R2
	E204	23S75373W13	CAP,ELY 1R0-1H -R2
	E205	23S75373W13	CAP,ELY 1R0-1H -R2
	E206	23S75373W13	CAP,ELY 1R0-1H -R2
	E209	23S75373W13	CAP,ELY 1R0-1H -R2
	E210	23S75373W13	CAP,ELY 1R0-1H -R2
	E211	23S75373W14	CAP,ELY 2R2-1H -R2
	E212	23S75373W14	CAP,ELY 2R2-1H -R2
	E213	23S75373W14	CAP,ELY 2R2-1H -R2
#1	E221	23S75373W13	CAP,ELY 1R0-1H -R2
#1	E222	23S75373W02	CAP,ELY 10R-1C -R2
#1	E223	23S75373W07	CAP,ELY 4R7-1V -R2
#1	E224	23S75373W07	CAP,ELY 4R7-1V -R2
	E301	23S75373W13	CAP,ELY 1R0-1H -R2
	E305	23S75373W14	CAP,ELY 2R2-1H -R2
	E306	23S75373W14	CAP,ELY 2R2-1H -R2
	E307	23S75373W02	CAP,ELY 10R-1C -R2
	E308	23S75373W02	CAP,ELY 10R-1C -R2
	E309	23S75373W02	CAP,ELY 10R-1C -R2
	E310	23S75373W02	CAP,ELY 10R-1C -R2
	E312	23S75373W02	CAP,ELY 10R-1C -R2
	E313	23T95115W01	CAP,AD R33-1H -R2
	E314	23S75373W13	CAP,ELY 1R0-1H -R2
#1	E325	23S75373W14	CAP,ELY 2R2-1H -R2
#1	E326	23S75373W14	CAP,ELY 2R2-1H -R2
	E600	23S75372W03	CAP,ELY 221-1A -H2
	E701	23S75372W07	CAP,ELY 47R-1C -R2
	E703	23S55311W35	CAP,TAN 10R-1C-B -CP
	E707	23S75373W03	CAP,ELY 22R-1C -R2
	E716	23S75373W05	CAP,ELY 47R-1C -R2
	E717	23S75373W03	CAP,ELY 22R-1C -R2
	E729	23S55311W28	CAP,TAN 22R-1A-B -CP
	E733	23S75373W02	CAP,ELY 10R-1C -R2
	E735	23S55311W31	CAP,TAN.2R2-1C-A -CP
	E736	23S55311W35	CAP,TAN 10R-1C-B -CP
	E737	23S65134W34	CAP,ELY 47R-1C(6)-E6
	E738	23S55311W35	CAP,TAN 10R-1C-B -CP
	E751	23S75373W06	CAP,ELY 101-1C -R2
	E752	23T55378W03	CAP,KMG 471-1A -R2
	E801	23S75373W06	CAP,ELY 101-1C -R2
	E802	23S75373W01	CAP,ELY 221-0J -R2
	E803	23S75373W06	CAP,ELY 101-1C -R2
	E804	23S75373W15	CAP,ELY 3R3-1H -R2
	E810	23S75373W06	CAP,ELY 101-1C -R2
	E811	23S75373W04	CAP,ELY 33R-1C -R2
	E812	23S75372W03	CAP,ELY 221-1A -H2
	E821	23S75373W13	CAP,ELY 1R0-1H -R2

	E901	23T75346W03	CAP,X-PRO 332-1C +
=====	Resistors		
	J027	06S35095Y08	RES,RK JUMPER 1/4-CP
	R001	06S70072F05	RES,CP .10R-J-1/4-CP
	R002	06S45674W97	RES,RK 473J 1/10 -CP
	R003	06S45674W79	RES,RK 822J 1/10 -CP
	R004	06S45674W93	RES,RK 333J 1/10 -CP
	R006	06S45675W06	RES,RK 104J 1/10 -CP
	R007	06S45675W43	RES,RK JUMPER1/10-CP
	R008	06S45675W12	RES,RK 184J 1/10 -CP
	R010	06S45675W43	RES,RK JUMPER1/10-CP
	R011	06S45675W43	RES,RK JUMPER1/10-CP
	R013	06S45674W95	RES,RK 393J 1/10 -CP
	R014	06S45674W45	RES,RK 331J 1/10 -CP
	R015	06S45674W45	RES,RK 331J 1/10 -CP
	R018	06S70072F41	RES,CP .331-J-1/4-CP
	R019	06S70072F78	RES,CP .2R2-J-1/4-CP
	R020	06S45674W57	RES,RK 102J 1/10 -CP
	R021	06S45674W73	RES,RK 472J 1/10 -CP
	R022	06S45674W89	RES,RK 223J 1/10 -CP
	R023	06S45674W57	RES,RK 102J 1/10 -CP
	R024	06S70072F29	RES,CP .101-J-1/4-CP
	R025	06S45674W59	RES,RK 122J 1/10 -CP
	R026	06S45674W89	RES,RK 223J 1/10 -CP
	R028	06S45674W65	RES,RK 222J 1/10 -CP
	R029	06S64995F76	RES,RK 912J 1/8 -CP
	R030	06S70072F78	RES,CP .2R2-J-1/4-CP
	R031	06S70072F69	RES,CP .472-J-1/4-CP
	R032	06S70072F29	RES,CP .101-J-1/4-CP
	R201	06S45674W57	RES,RK 102J 1/10 -CP
	R202	06S45674W57	RES,RK 102J 1/10 -CP
	R211	06S70072F53	RES,CP .102-J-1/4-CP
#1	R221	06S45674W88	RES,RK 203J 1/10 -CP
#1	R222	06S45674W88	RES,RK 203J 1/10 -CP
#1	R223	06S45674W88	RES,RK 203J 1/10 -CP
#1	R224	06S45674W88	RES,RK 203J 1/10 -CP
#1	R301	06S45674W62	RES,RK 162J 1/10 -CP
#1	R302	06S45674W62	RES,RK 162J 1/10 -CP
\$1	R303	06S45675W43	RES,RK JUMPER1/10-CP
\$1	R304	06S45675W43	RES,RK JUMPER1/10-CP
	R307	06S45674W99	RES,RK 563J 1/10 -CP
	R308	06S45674W99	RES,RK 563J 1/10 -CP
	R309	06S70072F33	RES,CP .151-J-1/4-CP
	R310	06S70072F33	RES,CP .151-J-1/4-CP
	R311	06S45674W33	RES,RK 101J 1/10 -CP
	R312	06S45674W33	RES,RK 101J 1/10 -CP
	R313	06S70072F77	RES,CP .103-J-1/4-CP
	R316	06S45674W33	RES,RK 101J 1/10 -CP
#1	R327	06S45674W97	RES,RK 473J 1/10 -CP
#1	R328	06S45674W97	RES,RK 473J 1/10 -CP
#1	R329	06S70072F33	RES,CP .151-J-1/4-CP
#1	R330	06S70072F33	RES,CP .151-J-1/4-CP
#1	R331	06S45674W33	RES,RK 101J 1/10 -CP
#1	R332	06S45674W33	RES,RK 101J 1/10 -CP
	R500	06S45674W97	RES,RK 473J 1/10 -CP
	R501	06S45675W43	RES,RK JUMPER1/10-CP
	R504	06S45674W97	RES,RK 473J 1/10 -CP

	R505	06S45674W97	RES,RK 473J 1/10 -CP
	R506	06S64995F53	RES,RK 102J 1/8 -CP
	R507	06S64995F53	RES,RK 102J 1/8 -CP
	R508	06S64995F77	RES,RK 103J 1/8 -CP
	R509	06S64995F77	RES,RK 103J 1/8 -CP
	R510	06S45674W89	RES,RK 223J 1/10 -CP
	R512	06S45674W89	RES,RK 223J 1/10 -CP
	R513	06S45674W93	RES,RK 333J 1/10 -CP
\$1	R514	06S45674W83	RES,RK 123J 1/10 -CP
	R516	06S45674W83	RES,RK 123J 1/10 -CP
	R518	06S45674W65	RES,RK 222J 1/10 -CP
	R519	06S45675W43	RES,RK JUMPER1/10-CP
	R520	06S45674W93	RES,RK 333J 1/10 -CP
	R521	06S45674W83	RES,RK 123J 1/10 -CP
	R522	06S64995F53	RES,RK 102J 1/8 -CP
	R523	06S70072F98	RES,RK 223J 1/4 -CP
	R524	06S64995F53	RES,RK 102J 1/8 -CP
	R525	06S64995F53	RES,RK 102J 1/8 -CP
	R526	06S64995F53	RES,RK 102J 1/8 -CP
	R527	06S15593Y73	RES,RK 103F 1/10 -CP
	R528	06S45674W89	RES,RK 223J 1/10 -CP
	R529	06S45674W89	RES,RK 223J 1/10 -CP
	R530	06S45674W97	RES,RK 473J 1/10 -CP
	R531	06S45674W57	RES,RK 102J 1/10 -CP
	R532	06S45674W57	RES,RK 102J 1/10 -CP
	R535	06S45674W97	RES,RK 473J 1/10 -CP
	R536	06S45674W89	RES,RK 223J 1/10 -CP
	R537	06S45675W06	RES,RK 104J 1/10 -CP
	R538	06S45674W89	RES,RK 223J 1/10 -CP
	R539	06S45674W97	RES,RK 473J 1/10 -CP
	R540	06S45674W83	RES,RK 123J 1/10 -CP
	R541	06S45674W97	RES,RK 473J 1/10 -CP
	R542	06S45674W97	RES,RK 473J 1/10 -CP
	R543	06S45674W97	RES,RK 473J 1/10 -CP
	R544	06S45674W89	RES,RK 223J 1/10 -CP
	R545	06S45674W89	RES,RK 223J 1/10 -CP
	R546	06S45674W57	RES,RK 102J 1/10 -CP
	R547	06S45674W57	RES,RK 102J 1/10 -CP
	R548	06S64995F53	RES,RK 102J 1/8 -CP
	R549	06S64995F53	RES,RK 102J 1/8 -CP
#1	R550	06S45674W83	RES,RK 123J 1/10 -CP
	R551	06S45675W43	RES,RK JUMPER1/10-CP
	R552	06S45675W43	RES,RK JUMPER1/10-CP
	R553	06S45675W43	RES,RK JUMPER1/10-CP
	R554	06S45675W43	RES,RK JUMPER1/10-CP
	R555	06S45674W83	RES,RK 123J 1/10 -CP
	R556	06S45674W83	RES,RK 123J 1/10 -CP
	R557	06S45674W83	RES,RK 123J 1/10 -CP
	R601	06S70072F98	RES,RK 223J 1/4 -CP
	R602	06S70072F37	RES,CP .221-J-1/4-CP
	R603	06S45674W89	RES,RK 223J 1/10 -CP
	R607	06S64995F85	RES,RK 223J 1/8 -CP
	R610	06S70072F63	RES,CP .272-J-1/4-CP
	R701	06S70072F05	RES,CP .10R-J-1/4-CP
	R702	06S70072F05	RES,CP .10R-J-1/4-CP
	R704	06S45674W95	RES,RK 393J 1/10 -CP
	R705	06S45674W85	RES,RK 153J 1/10 -CP

R706	06S45674W81	RES,RK 103J 1/10 -CP
R707	06S45674W81	RES,RK 103J 1/10 -CP
R708	06S45674W89	RES,RK 223J 1/10 -CP
R709	06S45674W81	RES,RK 103J 1/10 -CP
R710	06S45674W81	RES,RK 103J 1/10 -CP
R711	06S45674W89	RES,RK 223J 1/10 -CP
R712	06S45675W43	RES,RK JUMPER1/10-CP
R716	06S45674W41	RES,RK 221J 1/10 -CP
R717	06S45674W41	RES,RK 221J 1/10 -CP
R718	06S45675W43	RES,RK JUMPER1/10-CP
R719	06S45675W43	RES,RK JUMPER1/10-CP
R723	06S45674W81	RES,RK 103J 1/10 -CP
R724	06S45674W95	RES,RK 393J 1/10 -CP
R725	06S64995F74	RES,RK 752J 1/8 -CP
R726	06S45674W33	RES,RK 101J 1/10 -CP
R727	06S45674W91	RES,RK 273J 1/10 -CP
R728	06S45675W06	RES,RK 104J 1/10 -CP
R731	06S45675W23	RES,RK 514J 1/10 -CP
R734	06S70072F29	RES,CP .101-J-1/4-CP
R735	06S70072F29	RES,CP .101-J-1/4-CP
R736	06S70072F29	RES,CP .101-J-1/4-CP
R737	06S70072F29	RES,CP .101-J-1/4-CP
R741	06S45675W43	RES,RK JUMPER1/10-CP
R743	06S45674W93	RES,RK 333J 1/10 -CP
R744	06S45674W93	RES,RK 333J 1/10 -CP
R745	06S45674W93	RES,RK 333J 1/10 -CP
R751	06S70072F29	RES,CP .101-J-1/4-CP
R752	06S70072F51	RES,CP .821-J-1/4-CP
R753	06S70072F51	RES,CP .821-J-1/4-CP
R754	06S15593Y81	RES,RK 223F 1/10 -CP
R755	06S15593Y65	RES,RK 472F 1/10 -CP
R756	06S70072F51	RES,CP .821-J-1/4-CP
R757	06S45675W21	RES,RK 434J 1/10 -CP
R800	06S70072F59	RES,CP .182-J-1/4-CP
R801	06S55361Y98	RES,RK 243J 1/4 -CP
R802	06S70072F59	RES,CP .182-J-1/4-CP
R803	06S64995F93	RES,RK 473J 1/8 -CP
R804	06S70072F59	RES,CP .182-J-1/4-CP
R805	06S70072F59	RES,CP .182-J-1/4-CP
R807	06S45674W99	RES,RK 563J 1/10 -CP
R808	06S45674W57	RES,RK 102J 1/10 -CP
R810	06S70072F69	RES,CP .472-J-1/4-CP
R811	06S70072F42	RES,CP .361-J-1/4-CP
R812	06S45675W19	RES,RK 364J 1/10 -CP
R814	06S55362Y16	RES,RK 124J 1/4 -CP
R815	06S70072F69	RES,CP .472-J-1/4-CP
R817	06S55362Y26	RES,RK 334J 1/4 -CP
R821	06S70072F44	RES,CP .431-J-1/4-CP
R823	06T45541Y01	RES,RS 12RJ 2W -
R831	06S64995F77	RES,RK 103J 1/8 -CP
R841	06S64995F86	RES,RK 243J 1/8 -CP
R842	06S70072F59	RES,CP .182-J-1/4-CP
R843	06S70072F59	RES,CP .182-J-1/4-CP
R844	06S64995F86	RES,RK 243J 1/8 -CP
R845	06S70072F59	RES,CP .182-J-1/4-CP
R846	06S70072F59	RES,CP .182-J-1/4-CP
R847	06S64995F69	RES,RK 472J 1/8 -CP

R848	06S70072F69	RES,CP .472-J-1/4-CP
R849	06S70072F77	RES,CP .103-J-1/4-CP
=====Connectors		
CB101	09T55355Y15	FFC,IMSA9615S-15A-DB
CB102	09T55355Y07	FFC,IMSA9615S-07A-DB
CB103	09T25436Y07	WTB,53253-0710 -DB
*****FRONT P.W.Board		
=====IC		
IC401	51T02988K01	PT6522LQ -QT
=====Diodes		
D401	48T85357W01	DIO,1PS226 -CP
D402	48T85357W01	DIO,1PS226 -CP
D403	48T85357W01	DIO,1PS226 -CP
D405	48T85357W01	DIO,1PS226 -CP
ZD401	48T62934F20	DIO,ZEN.RD5.1MB3 -CP
=====Switches		
SW401	40T65353Y01	SW,TACT SKRSPACE010E2 (EJECT)
SW402	40T65353Y01	SW,TACT SKRSPACE010E2 (DISP/CLK)
SW403	40T65353Y01	SW,TACT SKRSPACE010E2 (6/SCAN)
SW404	40T65353Y01	SW,TACT SKRSPACE010E2 (5/M.I.X.)
SW405	40T65353Y01	SW,TACT SKRSPACE010E2 (4/REPEAT)
SW406	40T65353Y01	SW,TACT SKRSPACE010E2 (3)
SW407	40T65353Y01	SW,TACT SKRSPACE010E2 (2)
SW408	40T65353Y01	SW,TACT SKRSPACE010E2 (1)
SW409	40T65353Y01	SW,TACT SKRSPACE010E2 (F/SETUP)
SW410	40T65353Y01	SW,TACT SKRSPACE010E2 (MUTE)
SW411	40T65353Y01	SW,TACT SKRSPACE010E2 (PLAY/PAUSE/TUNE/A.ME)
SW412	40T65353Y01	SW,TACT SKRSPACE010E2 (SOURCE/POWER)
SW413	40T65353Y01	SW,TACT SKRSPACE010E2 (BAND)
SW414	40T65353Y01	SW,TACT SKRSPACE010E2 (DOWN)
SW415	40T65353Y01	SW,TACT SKRSPACE010E2 (UP)
SW416	40T65353Y01	SW,TACT SKRSPACE010E2 (CENTER f/Bass Engine)
=====LED's		
LD401	48T25534Y01	LED,GRN BG1111C -CP
LD402	48T25534Y01	LED,GRN BG1111C -CP
LD403	48T25534Y01	LED,GRN BG1111C -CP
LD404	48T25534Y01	LED,GRN BG1111C -CP
LD405	48T25534Y01	LED,GRN BG1111C -CP
LD406	48T25534Y01	LED,GRN BG1111C -CP
LD407	48T25534Y01	LED,GRN BG1111C -CP

	LD408	48T25534Y03	LED,AMB AA1111C -CP
	LD409	48T25534Y01	LED,GRN BG1111C -CP
	LD410	48T25534Y01	LED,GRN BG1111C -CP
	=====Lamps		
#1	PL401	65T45309Y03	LAMP,CLRGRN 9-100-E5
\$1	PL401	65T45309Y01	LAMP,GRN 9-100 -E5
#1	PL402	65T45309Y03	LAMP,CLRGRN 9-100-E5
\$1	PL402	65T45309Y01	LAMP,GRN 9-100 -E5
	PL403	65T35324Y02	LAMP,GRN 6-80 -E5
	PL404	65T35324Y02	LAMP,GRN 6-80 -E5
	PL405	65T35324Y02	LAMP,GRN 6-80 -E5
	PL406	65T35324Y02	LAMP,GRN 6-80 -E5
	=====Capacitors		
	C401	08S45677W56	CAP,CER 681J-CH1H-CP
	C402	08S45676W89	CAP,CER 473K-B1E -CP
	=====Resistors		
	R401	06S64995F77	RES,RK 103J 1/8 -CP
	R402	06S64995F77	RES,RK 103J 1/8 -CP
	R403	06S64995F77	RES,RK 103J 1/8 -CP
	R404	06S64995F77	RES,RK 103J 1/8 -CP
	R406	06S70072F09	RES,CP .15R-J-1/4-CP
	R407	06S70072F09	RES,CP .15R-J-1/4-CP
	R408	06S70072F15	RES,CP .27R-J-1/4-CP
	R409	06S70072F15	RES,CP .27R-J-1/4-CP
	R410	06S70072F33	RES,CP .151-J-1/4-CP
	R411	06S70072F37	RES,CP .221-J-1/4-CP
	R412	06S70072F33	RES,CP .151-J-1/4-CP
	R413	06S70072F37	RES,CP .221-J-1/4-CP
	R414	06S70072F33	RES,CP .151-J-1/4-CP
	R415	06S70072F37	RES,CP .221-J-1/4-CP
	R416	06S70072F62	RES,CP .242-J-1/4-CP
	R417	06S45674W98	RES,RK 513J 1/10 -CP
	R418	06S45674W81	RES,RK 103J 1/10 -CP
	R419	06S45674W81	RES,RK 103J 1/10 -CP
	R420	06S45674W81	RES,RK 103J 1/10 -CP
	R421	06S45674W81	RES,RK 103J 1/10 -CP
	R422	06S15593Y52	RES,RK 132F 1/10 -CP
	R423	06S15593Y55	RES,RK 182F 1/10 -CP
	R424	06S15593Y57	RES,RK 222F 1/10 -CP
	R425	06S15593Y61	RES,RK 332F 1/10 -CP
	R426	06S15593Y64	RES,RK 432F 1/10 -CP
	R427	06S15593Y70	RES,RK 752F 1/10 -CP
	R428	06S15593Y77	RES,RK 153F 1/10 -CP
	R429	06S15593Y87	RES,RK 393F 1/10 -CP
	R430	06S15593Y52	RES,RK 132F 1/10 -CP
	R431	06S15593Y55	RES,RK 182F 1/10 -CP
	R432	06S15593Y57	RES,RK 222F 1/10 -CP
	R433	06S15593Y61	RES,RK 332F 1/10 -CP
	R434	06S15593Y64	RES,RK 432F 1/10 -CP
	R435	06S15593Y70	RES,RK 752F 1/10 -CP
	R436	06S15593Y77	RES,RK 153F 1/10 -CP
	R441	06S70072F49	RES,CP .681-J-1/4-CP
	*****Switch P.W.Board		
	=====Connector		
	CH103	01T55281Y01	ASSY,WIRE JOINT 7P

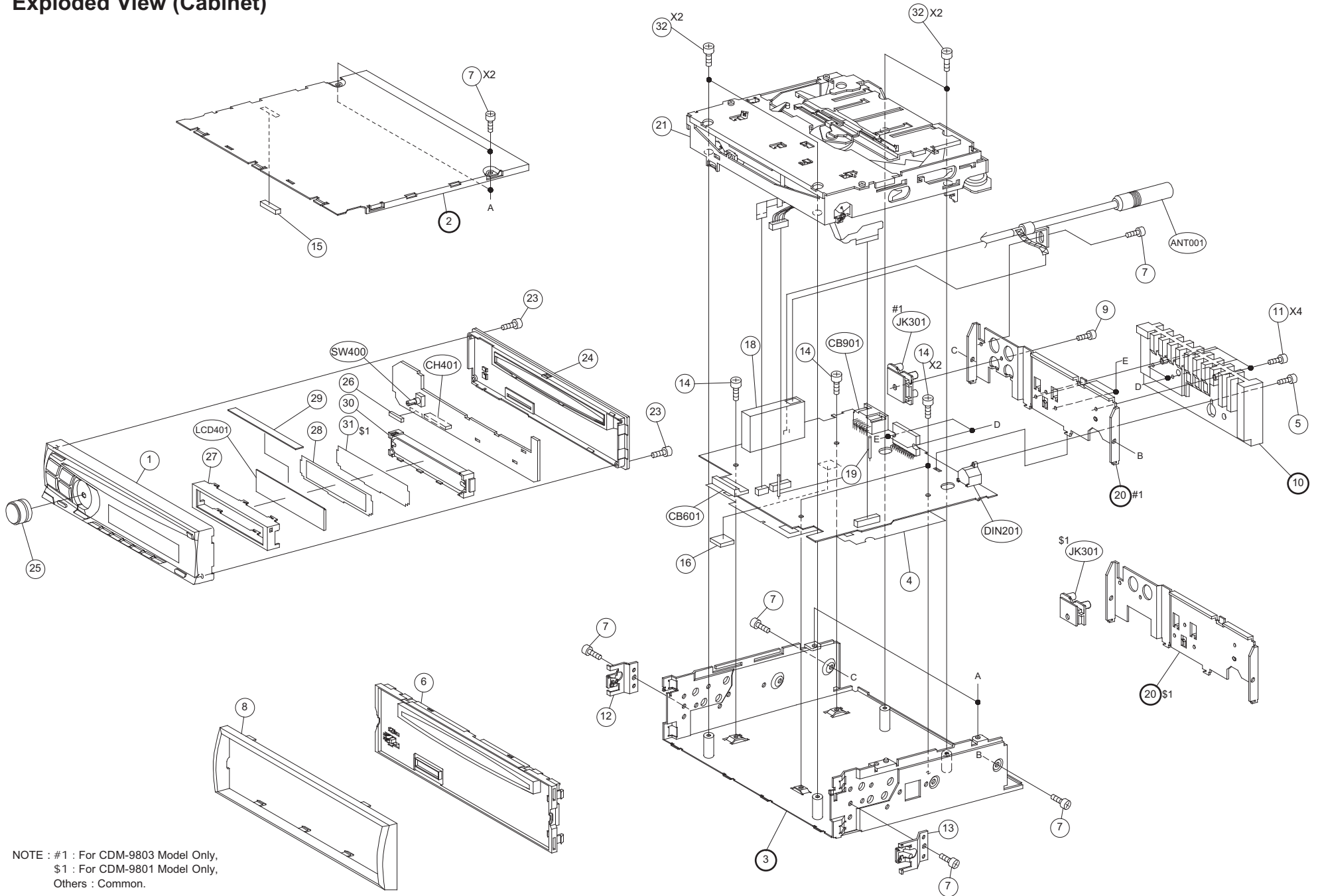
*****Miscellaneous

	ANT001	01T02127K07	ASSY,ANT CABLE 9803A
	CB601	09T65330Y15	BTB,TMD-V15X-A1 -DB
	CB901	09T35343Y16	WTB,IMSA9451B-16 -DB
	CH401	09T15298Y15	BTB,TMD-V15P-A1 -B
	DIN201	09T55493W02	DIN,SKT 8P CMS-R -DT
#1	JK301	01T02234K03	ASSY,CONN NLT1661 (F/(R/SW))
\$1	JK301	01T02234K04	ASSY,CONN NLT1660 (R/SW)
#1	LCD401	65T65152Y01	LCD,WTD-21651AAHU
\$1	LCD401	65T02745K01	LCD,LUC1377A
#1	SW400	40T45670W44	ENC,EC11B15243 -DB (ROTARY ENCODER/MODE/BEE)
\$1	SW400	40T45670W44	ENC,EC11B15243 -DB (ROTARY ENCODER/MODE/LOUD)

*****DP23S2BO

	HD101	81B50360Y01	PICKUP,EP21A67L
	M101	01V56100Y14	ASSY,MOTOR WORM 2BO (3.5V-80mA)
	M102	01V56100Y12	ASSY,MOTOR SLED 2BO (3.5V-80mA)
	M103	01V56100Y11	ASSY,MTR SPINDOL 2BO (3V-90mA)
	SW1	40T15494Y01	SW,DETCT SPVG23 -E6 (12cm DISC DETECT (EJECT POSITION/RELOAD))
	SW2	40T15494Y02	SW,DETCT SPVG13 -E6 (8/12cm DISC DETECT (INSERT/PULL OUT))
	SW3	40T15494Y07	SW,DETCT SPVG21 -E6 (8cm DISC DETECT (EJECT POSITION/RELOAD))
	SW4	40T15494Y01	SW,DETCT SPVG23 -E6 (DISC CHUCKING END DETECT)
	SW105	40T71025F03	SW,DETCT SPPB120 (LIMIT)

Exploded View (Cabinet)



NOTE : #1 : For CDM-9803 Model Only,
 \$1 : For CDM-9801 Model Only,
 Others : Common.

CDM-9803/CDM-9801

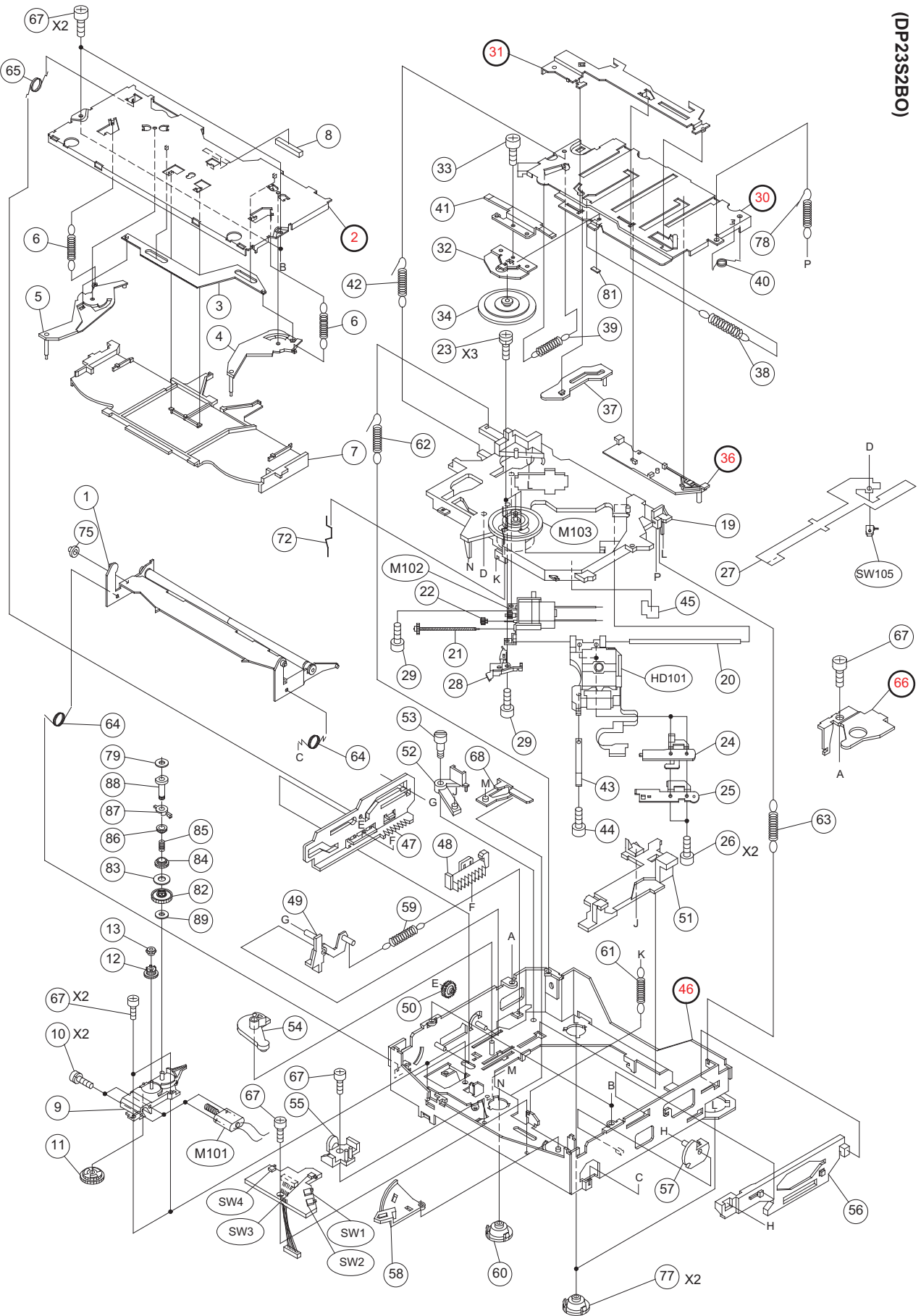
Cabinet Assembly Parts List

Notes : *#1: CDM-9803Model Only, \$1: CDM-9801Model Only, Others:Common.
*The part that has not PART NUMBER will not be supplied.

#1	1	13D02847K02	NOSE,PIECE ASSY(L)
\$1	1	13D02847K01	NOSE,PIECE ASSY(L)
	2	-----	COVER, TOP
	3	-----	CHAS, BASE
	4	14B02859K01	INSULATOR, MAIN
	5	03S68555F30	SCR, WAVE M2.6X10
	6	13C02811K01	NOSE, BASE ASSY
	7	03S44205G29	SCR, T-TITE M2.6X6
	8	33C01797K01	FACE, PLATE
	9	03S71677F05	SCR, T-TITE-B M3X8
	10	-----	HEAT, SINK(L)
	11	03S38013W02	SCR, T-TITE M2.6X14
	12	07D00749K01	BKT, SIDE L
	13	07D00749K02	BKT, SIDE R
	14	03T25225Y01	SCR, GND
	15	75T25010Y33	CUSHION, SHLD5-5.5-25
	16	75S40755Y71	CUS, RUB 6X6X4
	18	77T55272Y01	MX-A062(TU001)
	19	09T84840F01	LUG, STYLE 18MM
#1	20	-----	BKT, CHAS REAR(L)
\$1	20	-----	BKT, CHAS REAR(L)
	21	81D50701Y01	DP23S2BO, CD MECH
	23	03S71677F56	SCR, B-TITE M1.7X12
	24	13D02810K01	NOSE, BOTTOM
	25	36B02841K01	KNOB, ROTARY ASSY
	26	75S40755Y94	CUS, RUB 10X2XT3
	27	15B01768K01	COVER, LCD
	28	26A41975Y01	REFLECTOR, SHEET
	29	75T03213K02	RUBBER, ELECTRIC
	30	15D01772K01	CASE, LCD ASSY
\$1	31	26A41975Y02	REFLECTOR, SHEET(A)
	32	03S44205G07	SCR, T-TITE M2.6X5

Exploded View (CD Deck Mechanism)

(DP23S2B0)



TO PARTS LIST

TO CONTENTS

CD Deck Mechanism Assembly Parts List

Note: The part that has not PART NUMBER will not be supplied.

1	01V43800Y84	ASSY,ARM GUIDE 280
2	-----	CHASSIS, TOP
3	45B11564Y02	LEVER, LINK-TOP
4	45B11595Y02	LEVER DISC(R)
5	45B11596Y02	LEVER, DISC(L)
6	41B11613Y16	SPRING, PULL
7	15D50248Y01	GUIDE, TOP-DPS2
8	75A60713Y01	CUSHION, SILICONE
9	07C50608Y01	BKT, MOTOR LOAD-P
10	03S40014G07	SCR, MCH M2X4
11	44B11578Y02	GEAR, (A)
12	44B11579Y02	GEAR, (B)
13	44B11580Y02	GEAR, (C)
19	27D11602Y04	CHASSIS, PICKUP
20	47A11575Y01	SHAFT, PICK
21	01V28100Y59	ASSY, SHAFT. SCREW
22	44A70590W03	GEAR, MIDDLE
23	03S72235F96	SCR, MCH M1.7X3.5(SW)
24	07B30337Y02	BKT, SPRING NUT
25	41A11606Y10	SPRING, NUT
26	03S94385F18	SCR, NYLON M2X3.5
27	84T01803K01	PANEL, FPC CONT
28	41B11566Y10	SPRING SHAFT
29	03S70494F13	SCR, P-TITE M2X6 BLK
30	-----	ASSY, RIV. ARM CLAMP
31	-----	LEVER, LOCK
32	07A11565Y02	PLATE, CLAMP
33	03S94385F01	SCR, NYLOK M1.7X2.3
34	43A41812Y02	TABLE, CLAMPER2
36	-----	SLIDER DISC
37	45A11599Y02	LEVER, ACTUATOR
38	41B11613Y03	SPRING, PULL
39	41B11613Y05	SPRING, LEV-ACT
40	41A11609Y01	SPRING, LEVER
41	41B40574Y10	SPRING, PLATE-S
42	41B11613Y15	SPRING, PULL
43	41A11040Y10	SPRING, SLED-HOE
44	03S70494F52	SCR, P-TITE M1.4X4.5
45	43A21240Y01	SHEET, FPC PICK
46	-----	ASSY, RIV CHAS BASE
47	45B40510Y02	SLIDER, LOAD
48	44B40527Y02	RACK
49	45A11601Y02	LEVER, TRIGER
50	44B11581Y02	GEAR, (D)
51	45B11594Y02	SLIDER, LOCK(L)
52	45A11592Y02	ARM, LOCK(L2)
53	03A11574Y01	SCREW, LOCK
54	45B11591Y02	ARM, LOCK(L1)
55	07A50606Y01	BKT, MOTOR WIRE-P
56	45B11593Y02	SLIDER, LOCK(R)

57	45B11607Y02	ARM,LOCK(R)
58	45A11597Y02	LEVER,SW
59	41B11613Y04	SPRING,TRIGGER
60	75C30466Y04	DAMPER,DPS2
61	41B11613Y06	SPRING,PULL
62	41B11613Y07	SPRING,PULL
63	41B11613Y08	SPRING,PULL
64	41A40518Y01	SPRING,ROL
65	41A31894Y02	SPRING,SLIDER
66	-----	BKT,SP-TOP
67	03A21791Y01	SCREW,M2X3.5 S-TITE
68	07B20905Y02	BKT,FPC CONT
72	41A21613Y02	SPRING,SPINDLE
75	43A31443Y01	ROLLER,ARM DISC (C)
77	75C30466Y05	DAMPER,DPS2
78	41B11613Y14	SPLING,PULL
79	04B41345P52	WASH,1.6X3.5X0.25
81	75A21286Y02	CUSHION,CLAMPER BACK
82	44B40523Y02	GEAR,BASE
83	04A40528Y01	WASHER,FELT
84	44A40524Y02	GEAR,CLUTCH
85	41A40529Y01	SPRING,CLUTCH
86	44A40525Y02	GEAR,PINION
87	15A40526Y02	HOLDER,CLUTCH
88	43A41446Y02	SLEEVE,CLUTCH
89	04B41345P25	WASH,L. 3.1X6X0.35