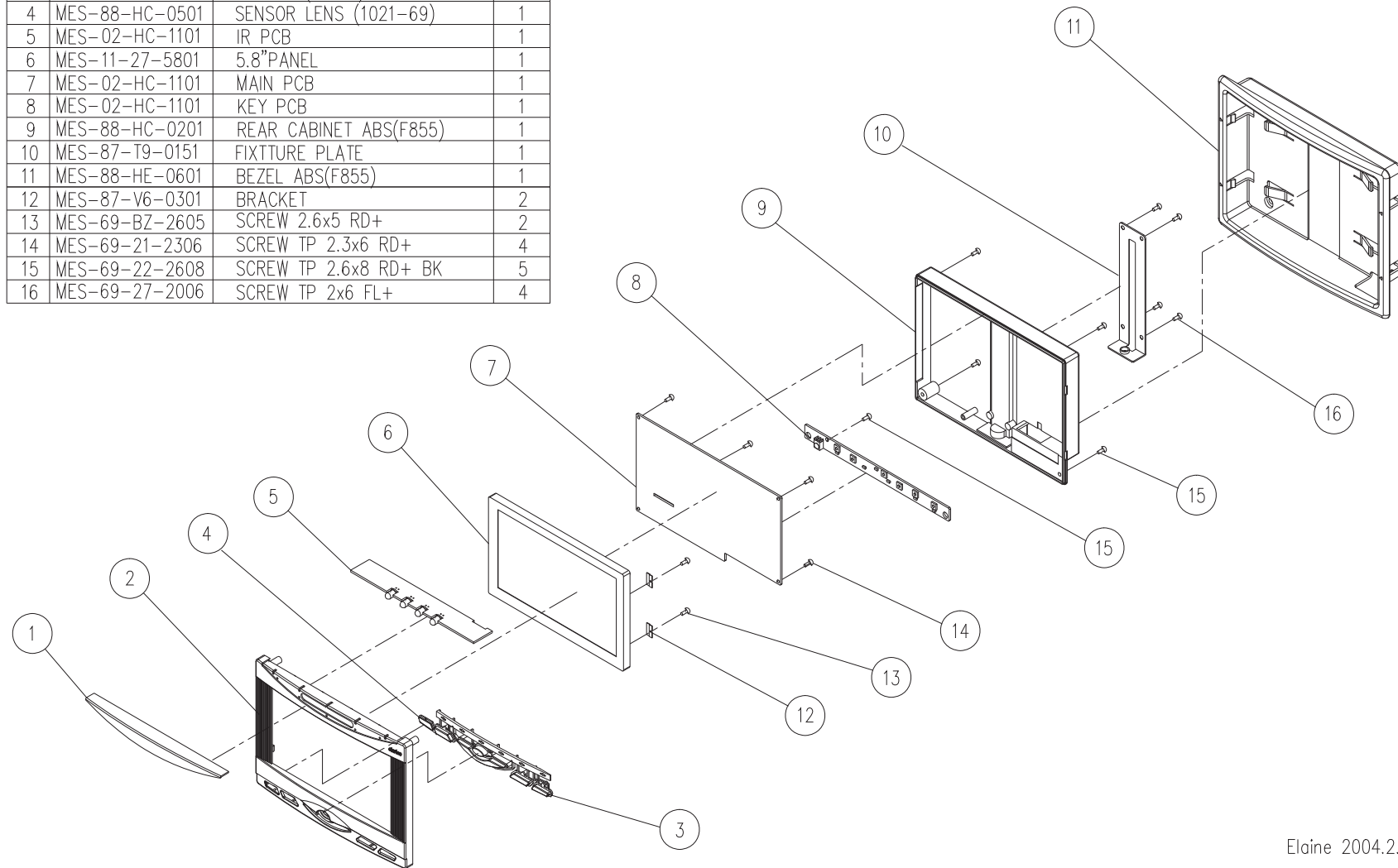


## VMA5894 EXPLODE VIEW

NO.	PART NO.	PART NAME.	Q'ty
1	MES-88-HC-0401	IR LENS (1021-69)	1
2	MES-88-HC-0101	FRONT CABINET ABS (F855)	1
3	MES-88-HC-0301	BUTTON (PC151)	1
4	MES-88-HC-0501	SENSOR LENS (1021-69)	1
5	MES-02-HC-1101	IR PCB	1
6	MES-11-27-5801	5.8" PANEL	1
7	MES-02-HC-1101	MAIN PCB	1
8	MES-02-HC-1101	KEY PCB	1
9	MES-88-HC-0201	REAR CABINET ABS(F855)	1
10	MES-87-T9-0151	FIXTTURE PLATE	1
11	MES-88-HE-0601	BEZEL ABS(F855)	1
12	MES-87-V6-0301	BRACKET	2
13	MES-69-BZ-2605	SCREW 2.6x5 RD+	2
14	MES-69-21-2306	SCREW TP 2.3x6 RD+	4
15	MES-69-22-2608	SCREW TP 2.6x8 RD+ BK	5
16	MES-69-27-2006	SCREW TP 2x6 FL+	4



Elaine 2004.2.16

MES-02-HC-1101		MAIN PCB ASS'Y VMA5894		
No.	Part No.	Description	Unit Quantity	Ref. No.
1	MES-04-HC-1101A	MAIN PCB ASS'Y VMA5894	1	
2	MES-10-10-1081C	IC STK6011 44P SYNTEK	1	IC508
3	MES-12-05-5040	X'TAL 3.579545MHZ 49US MINI	1	X202
4	MES-12-05-5041	X'TAL 4.433619MHZ 49US MINI	1	X201
5	MES-12-05-5078	X'TAL 12MHZ 49US MINI	1	X501
6	MES-12-23-1041	TR HE8050S-D TO-92 NPN	2	Q001,Q002
7	MES-14-01-0022	REMOTE SENSOR 38KHz (EC-T8) ECEL	1	IR601
8	MES-16-01-1470	RESISTOR 47 OHM 1/2W S	1	R501
9	MES-16-21-1339	RESISTOR 3.3 OHM 1/2W T	1	R016
10	MES-17-93-3101S	ELEC CAP 100U/25V MIMI 8*5mm	2	C502,C504
11	MES-23-06-0016	JACK RCA YELLOW	1	V
12	MES-23-06-0025	JACK RCA (WHITE)	1	L
13	MES-23-06-0026	JACK RCA (RED)	1	R
14	MES-23-06-0084	HEADER BOX CP-M01 14P MITSUMI	1	J501
15	MES-24-HC-0802	8P MAIN CABLE 150mm	1	J1
16	MES-25-20-1621	FUSE MINI 1.6A	1	F501
17	MES-29-50-5002B	DIODE (IR)	4	D002,D003,D004,D005

## ELECTICAL PARTS LIST

MES-04-HC-1101A		MAIN PCB ASS'Y VMA5894		
No.	Part No.	Description	Unit Quantity	Ref. No.
1	MES-04-HC-1101B	MAIN PCB ASS'Y VMA5894	1	
2	MES-10-03-1035	IC HS-9913 SOP20	1	IC002
3	MES-10-04-1058	IC MP1010B TSSOP20	1	IC301
4	MES-10-05-1001	IC MC78M05CDT/MC78D05CDT (DPAK)	2	IC501,IC001
5	MES-10-05-1016	IC MP1580 SOIC8 4.75~25 V	1	IC101
6	MES-10-05-1017	IC AAT1100/TPS5100 TSSOP16	1	IC102
7	MES-10-09-1049	IC BA3121F SOP8 ROHM	2	IC603,IC604
8	MES-10-10-1136	IC LC24031B ASIC SQFP-80	1	IC401
9	MES-10-15-1006	IC NJM4053BM/TC4053BFN/HCF4053MB SOP16	1	IC003
10	MES-10-15-1077	IC NJM-2233BM DMP8 JRC VIDEO SWITCH LOGIC	3	IC801,IC802,IC803
11	MES-10-19-1009	IC M62393FP 20P MITSUBISHI	1	IC503
12	MES-10-20-0129	IC IR3Y31M QFP48 SHARP	1	IC201
13	MES-10-20-1040	IC M35075-001FP 24P MITSUBISHI	1	IC505
14	MES-10-23-1088	IC 74HC/HCT4538 SO16	1	IC302
15	MES-12-63-2002	TR 2SB1073R PAN 2SB772S/UTC PNP	1	Q305
16	MES-12-63-2003	TR 2SA1952Q / 2SB1184R CHIP ROHM	1	Q501
17	MES-13-65-1002	D MA701A/RB160L-40/SS14(W)	4	D101,D402,D501,D001
18	MES-13-65-1003	D MA152K/DAN 212K CHIP	3	D103,D202,D203
19	MES-13-66-0629	D CHIP ZENER 6V2B ROHM	1	Z402
20	MES-16-61-1000	RESISTOR 0 1/16W CP0603	10	R222,R242,R250,R445,S209, C211,RN51,J401,J404,J406
21	MES-16-61-1000	RESISTOR 0 1/16W CP0603	5	J408,J409,R012,R044,RN01
22	MES-16-61-1100	RESISTOR 10 1/16W CP 0603	4	R107,R111,R117,R465
23	MES-16-61-1101	RESISTOR 100 1/16W CP 0603	2	R426,R603
24	MES-16-61-1102	RESISTOR 1K 1/16W CP 0603	11	R235,R308,R419,R420,R429,R610, R611,R612,R613,R614,R615
25	MES-16-61-1103	RESISTOR 10K 1/16W CP 0603	11	R105,R113,R115,R408,R410,R412, R417,R428,S201,S206*2
26	MES-16-61-1103	RESISTOR 10K 1/16W CP 0603	8	R604,R605,R606,R607,R608, R609,R001,R006
27	MES-16-61-1104	RESISTOR 100K 1/16W CP 0603	6	R303,R309,R312,R322,R444,R009
28	MES-16-61-1105	RESISTOR 1M 1/16W CP 0603	2	R211,R239
29	MES-16-61-1106	RESISTER 10M 1/16W CP 0603	1	R203
30	MES-16-61-1122	RESISTOR 1K2 1/16W CP0603	1	R424
31	MES-16-61-1123	RESISTOR 12K 1/16W CP0603	3	R102,R427,R002
32	MES-16-61-1152	RESISTOR 1K5 1/16W CP 0603	1	R213
33	MES-16-61-1153	RESISTOR 15K 1/16W CP 0603	5	R204,R208,R212,R232,R237
34	MES-16-61-1154	RESISTOR 150K 1/16W CP 0603	1	R229
35	MES-16-61-1183	RESISTOR 18K 1/16W CP 0603	4	R238,R243,S202,S208
36	MES-16-61-1221	RESISTOR 220 1/16W CP 0603	1	R425
37	MES-16-61-1222	RESISTOR 2K2 1/16W CP 0603	4	R110,R114,R116,R571
38	MES-16-61-1223	RESISTOR 22K 1/16W CP 0603	9	R225,R227,R228,R230,R233, RN52,S203,S207,R007
39	MES-16-61-1224	RESISTOR 220K 1/16W CP 0603	2	R003,R008
40	MES-16-61-1272	RESISTOR 2K7 1/16W CP0603	2	R214,R042
41	MES-16-61-1273	RESISTOR 27K 1/16W CP 0603	4	R109,R123,R125,S208
42	MES-16-61-1332	RESISTOR 3K3 1/16W CP 0603	3	S209,R011,R013
43	MES-16-61-1393	RESISTOR 39K 1/16W CP 0603	3	R101,R230,S202
44	MES-16-61-1470	RESISTOR 47 1/16W CP 0603	2	R261,R017
45	MES-16-61-1472	RESISTOR 4K7 1/16W CP 0603	7	R106,R108,R112,R128, R236,R304,R041
46	MES-16-61-1473	RESISTOR 47K 1/16W CP0603	2	R004,S201
47	MES-16-61-1474	RESISTOR 470K 1/16W CP 0603	1	R014
48	MES-16-61-1561	RESISTOR 560 1/16W CP 0603	10	R405,R406,R413,R414,R415, R416,R418,R421,R422,R423

## ELECTICAL PARTS LIST

MES-04-HC-1101A		MAIN PCB ASS'Y VMA5894		
No.	Part No.	Description	Unit Quantity	Ref. No.
49	MES-16-61-1561	RESISTOR 560 1/16W CP 0603	10	R234,R244,R245,R247,R307, R307A,R401,R402,R403,R404
50	MES-16-61-1561	RESISTOR 560 1/16W CP 0603	4	R430,R431,R432,R015
51	MES-16-61-1562	RESISTOR 5K6 1/16W CP 0603	1	R043
52	MES-16-61-1563	RESISTOR 56K 1/16W CP 0603	3	R205,S203,S207
53	MES-16-61-1682	RESISTOR 6K8 1/16W CP 0603	1	R446
54	MES-16-61-1750	RESISTOR 75 1/16W CP 0603	3	R221,R260,R801
55	MES-16-61-1752	RESISTOR 7K5 1/16W CP 0603	3	R122,R124,R126
56	MES-16-61-1822	RESISTOR 8K2 1/16W CP 0603	5	R207,R209*2,R224,R226
57	MES-16-61-7474	RESISTOR 470K 1/16W 1% CP 0603	1	R311
58	MES-19-61-2331	CHOKE POWER 330uH CR7.8*5 SMD	1	L103
59	MES-19-62-2220	CHOKE 22uH CR5.8*4.5 SMD	1	L101
60	MES-19-62-2470	CHOKE 47uH CR5.8*4.5 SMD	1	L102
61	MES-19-65-2220	CHOKE 22uH CR4.5*3.5 SMD	1	L104
62	MES-19-81-3100	CHIPCHOKE 10U 3225 RVR FLC32/TDK	1	L204
63	MES-19-81-3220	CHIP CHOKE 22UH 3225 TDK	2	L105,L106
64	MES-19-81-3229	CHIP CHOKE 2.2UH 3225 RVR FLC32/TDK	1	L403
65	MES-19-81-3270	CHIP CHOKE 27UH 3225 RVR FLC32/TDK	1	L201
66	MES-21-42-1030J	CHIP SEMI VR 10K RH03ADC14X	3	S302,S403,VR001
67	MES-21-42-4720J	CHIP SEMI VR 4.7K RH03ADCS3X G4237675M	6	S102,S401,S404, VR002,VR003,VR004
68	MES-21-42-4730J	CHIP SEMI VR 47K RH03ADCS4X	3	S204,S205,S402
69	MES-22-82-0226	SWITCH TACT TSKB-2	6	SW601,SW602,SW603, SW604,SW605,SW606
70	MES-24-00-4412	44P 1.2mm PLCC IC SOCKET SMD	1	IC508
71	MES-24-56-0280	WAFER 2P 8.0MM JST	1	W301
72	MES-24-56-0511	WAFER 5P 1m/m SM05B-SRSS-TB	2	W001,J801
73	MES-24-56-1111	WAFER 11P 1m/m SM11B-SRSS-TB	1	W501
74	MES-28-05-1100	CERAMIC CAP 10P/50V CP	1	C009
75	MES-28-05-1220	CERAMIC CAP 22P/50V CP	1	C415
76	MES-28-05-1221	CERAMIC CAP 220P/50V CP	1	C126
77	MES-28-05-1223X	CERAMIC CAP 0.022U X7R	1	C303
78	MES-28-05-1270	CERAMIC CAP 27P/50V CP 0603	1	C212
79	MES-28-05-1331	CERAMIC CAP 330P/50V CP	2	C002,C004
80	MES-28-05-1680	CERAMIC CAP 68P/50V CP	2	C005,C007
81	MES-28-05-1681	CERAMIC CAP 680P/50V CP	1	C203
82	MES-28-05-1820	CERAMIC CAP 82P/50V	1	C407
83	MES-28-05-2101	CERAMIC CAP 100P/50V CP	4	C104,C125,C127,C128
84	MES-28-05-2272X	CHIP CAP X7R 50V +-10% 2700P #0603	1	C321
85	MES-28-05-4102	CERAMIC CAP 1000P/50 CP	1	C314,C406,C010,C011
86	MES-28-05-4103	CERAMIC CAP 0.01U/50V CP	11	C107,C131,C132,C204,C206,C207, C209,C210,C220,C221,C222
87	MES-28-05-4103	CERAMIC CAP 0.01U/50V CP	11	C223,C224,C225,C230,C239,C305, C315,C318,C322,C324,C501
88	MES-28-05-4104	CHIP CERAMIC CAP 0.1U	10	C108,C109,C113,C117,C119, C208,C306,C401,C403,C409
89	MES-28-05-4104	CHIP CERAMIC CAP 0.1U	9	C413,C417,C418,C422,C432 C433,C505,C001,C003
90	MES-28-05-4105	CERAMIC CAP 1U CP 0603	4	C124,C304,C323,C438
91	MES-28-05-4223	CHIP CERAMIC CAP 0.022U	1	C105
92	MES-28-05-4332	CERAMIC CAP 0.0033U/50V CP0603	2	C114,C118
93	MES-28-05-4472	CERAMIC CAP 0.0047U CP	1	C311
94	MES-28-05-4473	CHIP CERAMIC CAP 0.047U	2	C205,C435
95	MES-28-05-4474	CERAMIC CAP 0.47U CP 0603	1	C320

## ELECTICAL PARTS LIST

MES-04-HC-1101A		MAIN PCB ASS'Y VMA5894		
No.	Part No.	Description	Unit Quantity	Ref. No.
96	MES-28-05-4682	CERAMIC CAP .0068U CP	1	C228
97	MES-28-11-4105	CERAMIC CAP 1U/10V CP	8	C215,C216,C217,C219,C226, C229,C319,C325
98	MES-28-13-1225X	CERAMIC CAP 2.2U/25V X7R	3	C301,C302,C317
99	MES-28-22-3100	ELEC CAP 10U/16V CP	10	C202,C236,C237,C238,C411, C414,C536,C537,C538,C805
100	MES-28-22-3100	ELEC CAP 10U/16V CP	3	C812,C815,C816
101	MES-28-22-3100A	ELEC CAP 10U/16V 4.5mm CP	1	C044
102	MES-28-22-3101	ELEC CAP 100U/16V CP	3	C529,C543,C833
103	MES-28-22-3101	ELEC CAP 100U/16V CP	10	C101,C103,C106,C218,C227, C313,C316,C507,C510,C515
104	MES-28-22-3220	ELEC CAP 22U/16V CP	2	C802,C809
105	MES-28-22-3470	ELEC CAP 47U/16V CP 85C	6	C110,C116,C234,C410,C412,C535
106	MES-28-22-3470A	ELEC CAP 47U/16V 4.5mm CP	3	C006,C012,C601
107	MES-28-23-3470	ELEC CAP 47U/25V CP	3	C112,C121,C831
108	MES-28-24-3479	ELEC CAP 4.7U/35V CP	10	C416,C419,C421,C423,C434, CN51,C801,C803,C804,C806
109	MES-28-24-3479	ELEC CAP 4.7U/35V CP	4	C808,C810,C811,C813
110	MES-28-25-3109	ELEC CAP 1U/50V CP	3	C542,C807,C814
111	MES-28-3F-1100	CERAMIC CAP 10P/3KV SMD1808	1	C326
112	MES-28-3F-1680	CERAMIC CAP 68P/3KV SMD1808	1	C327
113	MES-29-37-0002	LED SMT BLUE KPL-3015MBC	6	D601,D602,D603,D604,D605,D606
114	MES-39-91-0027	PT H.V 583	1	T301
115	MES-85-HC-1001	MAIN PCB 155*124*1.6	1	

## ELECTICAL PARTS LIST

MES-04-HC-1101B		MAIN PCB ASS'Y VMA5894		
No.	Part No.	Description	Unit Quantity	Ref. No.
1	MES-10-03-1033	IC NJM3414AM SOP8	1	IC402
2	MES-10-04-1055	IC CM-2830 SIM23	1	IC404
3	MES-10-09-1025	IC NJM2107F 5P	1	IC405
4	MES-10-09-1039	IC MAX810MTR Reset activ-high SOT-23	1	IC502
5	MES-10-11-1031B	IC 24LC08B SO-08 8PIN Microchip	1	IC504
6	MES-10-15-1069	IC BU4SU69 SMP5 ROHM	1	IC202
7	MES-10-15-1106	IC TC4W66FU SSOP8	1	IC403
8	MES-12-60-1003	EFT AO3402 N-CH SOT23 ALPHA&OMEGA	2	Q102,Q103
9	MES-12-61-1003	FET AO3403 P-CH SOT23 ALPHA&OMEGA	1	Q101
10	MES-12-62-1002	TR 2SC2412K(B) T146 UTC/BC847 FREQ AMP.	6	Q401,Q403,Q502,Q503,Q510,Q511
11	MES-12-62-2001	TR 2SA1037K(B) T146 ROHM FREQ AMP.	4	Q202,Q504,Q512,Q513
12	MES-12-64-1002	TR DTC144EK/BRC144EMP(H) ROHM T146 SWITCHING	5	Q201,Q203,Q306,Q402,Q204
13	MES-13-02-1006	D VARICAP 1SV215 TOSHIBA	1	D401
14	MES-13-65-1003	D MA152K/DAN 212K CHIP	5	D102,D104,D201,D204,D209
15	MES-13-76-0339	D ZENER 3.3V EMM5226B	1	ZN51
16	MES-13-76-0829	D ZENER 8V2B GLASS LL-34 ROHM	1	Z401
17	MES-16-61-1000	RESISTOR 0 1/16W CP0603	3	R526,R549,R550
18	MES-16-61-1100	RESISTOR 10 1/16W CP 0603	1	R320
19	MES-16-61-1101	RESISTOR 100 1/16W CP 0603	1	R460
20	MES-16-61-1102	RESISTOR 1K 1/16W CP 0603	7	R272,R321,R442,R443,R441, R516,R575
21	MES-16-61-1103	RESISTOR 10K 1/16W CP 0603	10	R218,R301,R302,R435,R436, R438,R458,R466,R503,R509
22	MES-16-61-1103	RESISTOR 10K 1/16W CP 0603	8	R511,R522,R563,R572,R573, R574,R576,R577
23	MES-16-61-1104	RESISTOR 100K 1/16W CP 0603	5	R248,R463,R464,R505,R554
24	MES-16-61-1105	RESISTOR 1M 1/16W CP 0603	1	R456
25	MES-16-61-1122	RESISTOR 1K2 1/16W CP0603	1	R129
26	MES-16-61-1123	RESISTOR 12K 1/16W CP0603	3	R319,R527,R528
27	MES-16-61-1153	RESISTOR 15K 1/16W CP 0603	1	R450
28	MES-16-61-1222	RESISTOR 2K2 1/16W CP 0603	11	R140,R141,R142,R216,R217,R305, R426A,R512,R514,R515,R562
29	MES-16-61-1223	RESISTOR 22K 1/16W CP 0603	9	R118,R434,R437,R440,R455, R467,R523,R524,R529
30	MES-16-61-1331	RESISTOR 330 1/16W CP 0603	1	R462
31	MES-16-61-1332	RESISTOR 3K3 1/16W CP 0603	3	R452,R453,R448
32	MES-16-61-1333	RESISTOR 33K 1/16W CP 0603	6	R251,R252,R253,R254,R255,R256
33	MES-16-61-1334	RESISTOR 330K 1/16W CP 0603	3	R240,R306,R310
34	MES-16-61-1392	RESISTOR 3K9 1/16W CP0603	1	R459
35	MES-16-61-1393	RESISTOR 39K 1/16W CP 0603	1	R525
36	MES-16-61-1470	RESISTOR 47 1/16W CP 0603	4	R257,R262,R263,R449
37	MES-16-61-1471	RESISTOR 470 1/16W CP 0603	1	R439
38	MES-16-61-1472	RESISTOR 4K7 1/16W CP 0603	3	R127,R215,R461
39	MES-16-61-1473	RESISTOR 47K 1/16W CP0603	1	R454
40	MES-16-61-1474	RESISTOR 470K 1/16W CP 0603	1	R447
41	MES-16-61-1561	RESISTOR 560 1/16W CP 0603	2	R246,R249
42	MES-16-61-1562	RESISTOR 5K6 1/16W CP 0603	1	R219
43	MES-16-61-1681	RESISTOR 680 1/16W CP 0603	1	R201
44	MES-16-61-1683	RESISTOR 68K 1/16W CP0603	2	R451,R457
45	MES-16-61-1684	RESISTOR 680K 1/16W CP 0603	1	R241
46	MES-16-61-1750	RESISTOR 75 1/16W CP 0603	3	R258,R259,R802
47	MES-16-61-1822	RESISTOR 8K2 1/16W CP 0603	1	R220
48	MES-16-63-1102	RESISTOR 1K 1/8W CP	1	R502
49	MES-19-81-3220	CHIP CHOKE 22UH 3225 TDK	2	L108,L404
50	MES-19-81-3270	CHIP CHOKE 27UH 3225 RVR FLC32/TDK	3	L203,L402,L405

## ELECTICAL PARTS LIST

MES-04-HC-1101B		MAIN PCB ASS'Y VMA5894		
No.	Part No.	Description	Unit Quantity	Ref. No.
51	MES-19-81-3279	CHIP CHOKE 2.7UH	2	L401,L406
52	MES-19-81-3560	CHIP CHOKE 56UH	1	L202
53	24-56-1111	WAFER 11P 1m/m SM11B-SRSS-TB	1	W601
54	MES-24-BB-3201	WAFER 6212-32PIN/AF332K TOP	1	W401
55	MES-28-05-1101	CERAMIC CAP 100P/50V CP	1	C429
56	MES-28-05-1151	CERAMIC CAP 150PV/50V CP	1	C408
57	MES-28-05-1200	CERAMIC CAP 20P/50 CP	2	C512,C513
58	MES-28-05-1221	CERAMIC CAP 220P/50V CP	1	C431
59	MES-28-05-1331	CERAMIC CAP 330P/50V CP	4	C530,C531,C532,C533
60	MES-28-05-1360	CERAMIC CAP 36P/50V CP	1	C267
61	MES-28-05-1391	CERAMIC CAP 390P/50V CP	1	C430
62	MES-28-05-1470	CERAMIC CAP 47P/50V CP	1	C269
63	MES-28-05-1471	CERAMIC CAP 470P/50V CP	1	C541
64	MES-28-05-1471X	CERAMIC CAP 470P X7R	1	C310
65	MES-28-05-1561	CERAMIC CAP 560P/50V CP	2	C426,C550
66	MES-28-05-1821	CERAMIC CAP 820P/50V CP	2	C312
67	MES-28-05-1823X	CERAMIC CAP .082 X7R	2	C309
68	MES-28-05-4102	CERAMIC CAP 1000P/50 CP	2	C404,C428
69	MES-28-05-4103	CERAMIC CAP 0.01U/50V CP	9	C102,C231,C214,C240,C503, C506,C511,C516,C528
70	MES-28-05-4104	CHIP CERAMIC CAP 0.1U	10	C111,C115,C120,C122,C129, C130,C405,C413A,C420,C424
71	MES-28-05-4104	CHIP CERAMIC CAP 0.1U	6	C425,C427,C540,C545,C544,CN52
72	MES-28-05-4105	CERAMIC CAP 1U CP 0603	4	C133,C436,C437,C439
73	MES-28-05-4332	CERAMIC CAP 0.0033U/50V CP0603	1	C123
74	MES-28-11-4105	CERAMIC CAP 1U/10V CP	1	C201
75	MES-28-11-4474	CERAMIC CAP .47U/10V CP TDK	1	C213

## ELECTICAL PARTS LIST