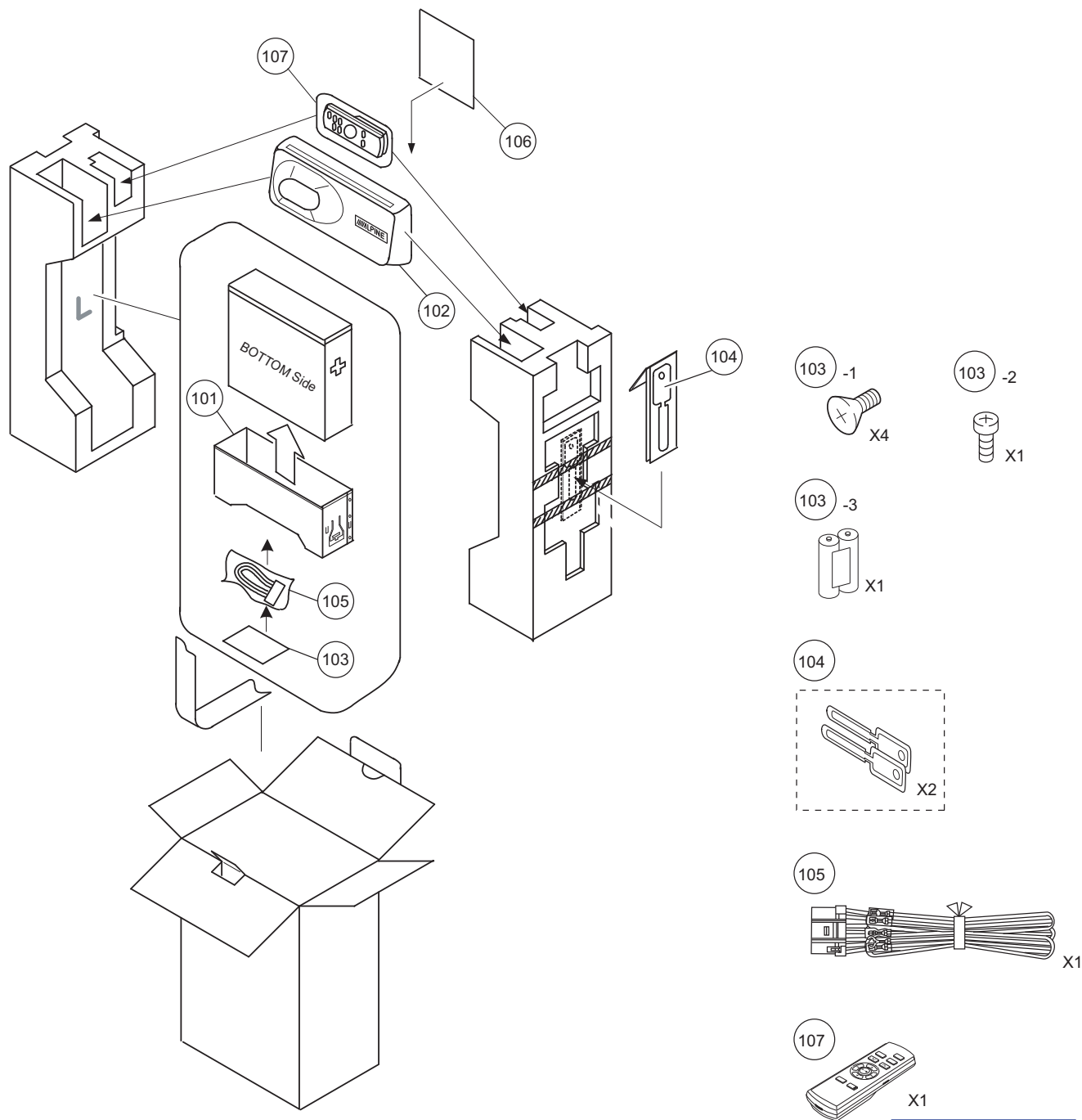


Packing Assembly Parts List

Symbol No.	Part No.	Description	Symbol No.	Part No.	Description
101	15-01970Z01	CASE,INNER	105	09-02256Z04	ASSY,ANIC-0008-04A
102	15D01798K03	CARRYING,CASE	#1 106	68-02278Z06	O/M AOAM AODL
103-1	03S60820Y16	SCR,MCH 5X8 ZN A	\$1 106	68-02278Z06	O/M AOAM AODL
103-2	03S60824Y01	SCR,WEV 1.7X4 ZN A	%1 106	68-02770Z06	O/M,AOCH 9853
103-3	60T55630W01	BAT,MGN R03(NB)UM-4	107	97-02291Z01	ASSY,SBPF00001A
104	07-01964Z01	BKT,RELEASE			

NOTE: #1:For North American Model Only,\$1:For General Foreign Model Only,%1:For Chinese Model Only,Others:Common.

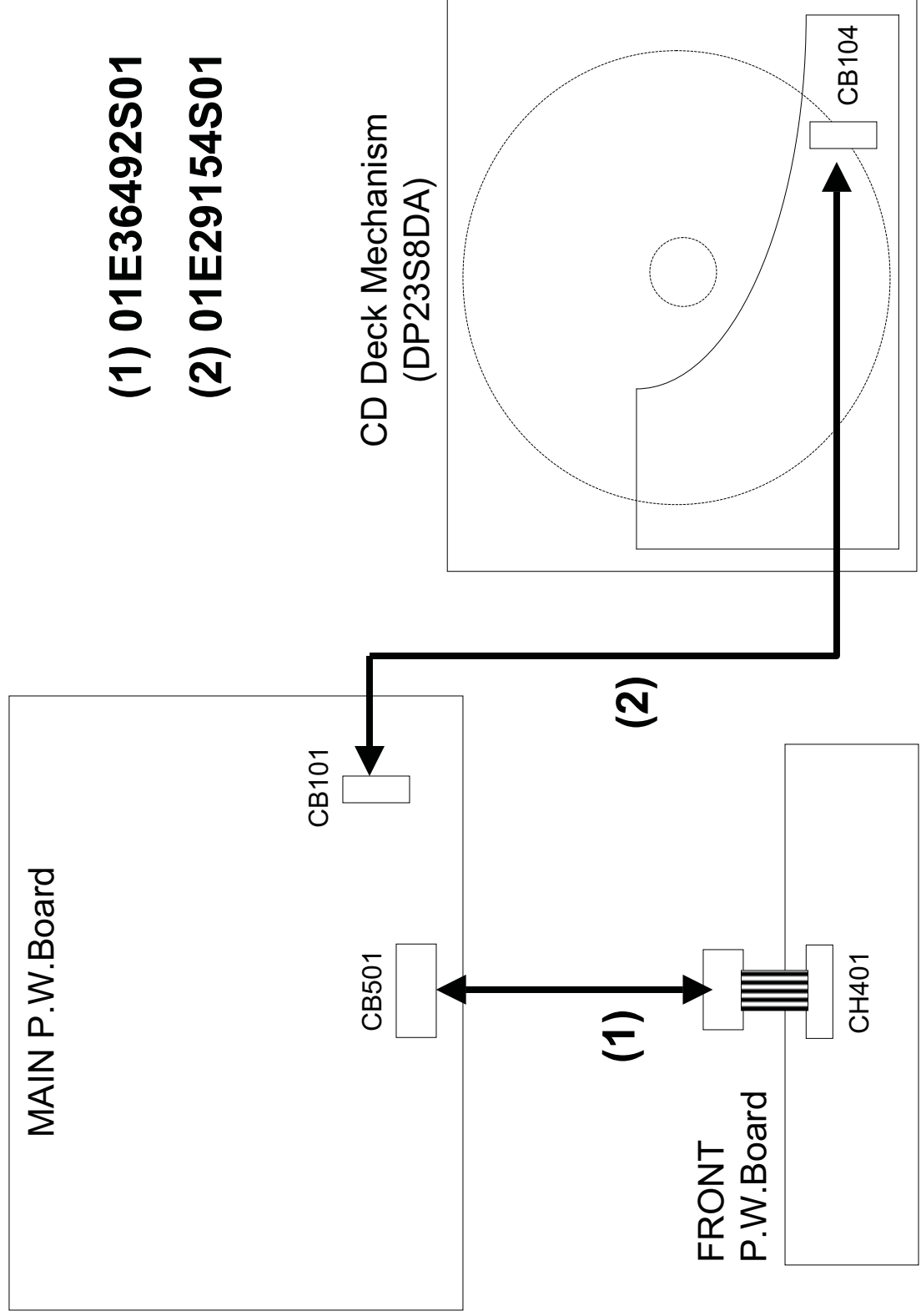
Packing Method View



[TO CONTENTS](#)

Extension Cable

*Always connect the Extension Cable when making checks of voltage and repair.



(1) 01E36492S01

(2) 01E29154S01

[TO CONTENTS](#)

Electrical Parts List

* Each parts on P.W.Board are described in order of the reference number.

IC401, IC501(*) : As for the parts of part number of (*) mark, a product does not operate for program un-writing in.

When you order a microcomputer, please give me order after specifying part number and a product name.

=====MAIN P.W.Board

BZ801	50T04252K01	BUZZER,XY13-5H
C001	08S65128F78	CAP,CER.223K-B1H -CP
C002	08S65128F78	CAP,CER.223K-B1H -CP
C003	08S65128F78	CAP,CER.223K-B1H -CP
C005	08S45676W73	CAP,CER.103K-B1H -CP
C006	08S65128F90	CAP,CER.473K-B1H -CP
C007	08S82122F13	CAP,CER.10RD-CH1H-CP
C008	08S45676W73	CAP,CER.103K-B1H -CP
C010	08S35374W01	CAP,CER.104K-B1E-CP
C027	08S45677W36	CAP,CER.101J-CH1H-CP
C029	08S45677W12	CAP,CER.10RD-CH1H-CP
C030	08S45677W36	CAP,CER.101J-CH1H-CP
C034	08S45677W36	CAP,CER.101J-CH1H-CP
C036	08S45677W36	CAP,CER.101J-CH1H-CP
C045	08S82122F32	CAP,CER.62RJ-CH1H-CP
C046	08S82122F27	CAP,CER.39RJ-CH1H-CP
C047	08S82122F19	CAP,CER.18RJ-CH1H-CP
C101	08S45676W80	CAP,CER.223K-B1E -CP
C201	08S45676W69	CAP,CER.472K-B1H -CP
C202	08S45676W69	CAP,CER.472K-B1H -CP
C203	08S45676W69	CAP,CER.472K-B1H -CP
C204	08S45676W69	CAP,CER.472K-B1H -CP
C205	08S45676W85	CAP,CER.104K-B1C -CP
C206	08S45676W69	CAP,CER.472K-B1H -CP
C207	08S45676W69	CAP,CER.472K-B1H -CP
C208	08S45676W72	CAP,CER.822K-B1H -CP
C209	08S45676W85	CAP,CER.104K-B1C -CP
C210	08S45676W72	CAP,CER.822K-B1H -CP
C211	08S45676W85	CAP,CER.104K-B1C -CP
C212	08S45676W85	CAP,CER.104K-B1C -CP
C213	08S45676W85	CAP,CER.104K-B1C -CP
C214	08S45676W85	CAP,CER.104K-B1C -CP
C215	08S45676W85	CAP,CER.104K-B1C -CP
C216	08S45677W22	CAP,CER.27RJ-CH1H-CP
C217	08S45677W22	CAP,CER.27RJ-CH1H-CP
C218	08S45676W85	CAP,CER.104K-B1C -CP
C219	08S45676W85	CAP,CER.104K-B1C -CP
C220	08S45676W85	CAP,CER.104K-B1C -CP
C221	08S35374W12	CAP,CER.106K-B0J -CP
C222	08S35374W10	CAP,CER.225K-B1A -CP
C223	08S45676W73	CAP,CER.103K-B1H -CP
C224	08S35374W12	CAP,CER.106K-B0J -CP
C225	08S65674Y05	CAP,CER.105KX5R1C-CP
C226	08S65667Y05	CAP,CER.105KX5R1A-CP
C227	08S45677W49	CAP,CER.361J-CH1H-CP
C228	08S65674Y05	CAP,CER.105KX5R1C-CP

C229	08S65674Y05	CAP,CER 105KX5R1C-CP
C230	08S65674Y05	CAP,CER 105KX5R1C-CP
C231	08S65674Y05	CAP,CER 105KX5R1C-CP
C232	08S65674Y05	CAP,CER 105KX5R1C-CP
C233	08S65674Y05	CAP,CER 105KX5R1C-CP
C234	08S65674Y05	CAP,CER 105KX5R1C-CP
C235	08S65128F71	CAP,CER.153K-B1H -CP
C236	08S35374W01	CAP,CER 104K-B1E-CP
C237	08S35374W01	CAP,CER 104K-B1E-CP
C238	08S45677W60	CAP,CER 102J-CH1H-CP
C239	08S65667Y04	CAP,CER 684KX5R1A-CP
C241	08S45676W84	CAP,CER 683K-B1C -CP
C242	08S45676W85	CAP,CER 104K-B1C -CP
C243	08S45677W36	CAP,CER.101J-CH1H-CP
C301	08T65463Y01	CAP,CER 335K-B1A -CP
C302	08T65463Y01	CAP,CER 335K-B1A -CP
C306	08T65463Y01	CAP,CER 335K-B1A -CP
C308	08T65463Y01	CAP,CER 335K-B1A -CP
C315	08S45677W16	CAP,CER.15RJ-CH1H-CP
C318	08S45677W16	CAP,CER.15RJ-CH1H-CP
C321	08S45677W16	CAP,CER.15RJ-CH1H-CP
C325	08S45677W16	CAP,CER.15RJ-CH1H-CP
C330	08S45676W80	CAP,CER 223K-B1E -CP
C337	08S45677W25	CAP,CER 36RJ-CH1H-CP
C349	08S45677W25	CAP,CER 36RJ-CH1H-CP
C352	08S45677W25	CAP,CER 36RJ-CH1H-CP
C354	08S45677W25	CAP,CER 36RJ-CH1H-CP
C355	08S45677W25	CAP,CER 36RJ-CH1H-CP
C357	08S45677W25	CAP,CER 36RJ-CH1H-CP
C362	08T25628Y03	CAP,TF 224M-1C -CP
C363	08T25628Y03	CAP,TF 224M-1C -CP
C364	08T25628Y03	CAP,TF 224M-1C -CP
C365	08T25628Y03	CAP,TF 224M-1C -CP
C366	08S65670Y03	CAP,CER 335KX5R1E-CP
C367	08S65670Y03	CAP,CER 335KX5R1E-CP
C368	08S65670Y03	CAP,CER 335KX5R1E-CP
C369	08S65670Y03	CAP,CER 335KX5R1E-CP
C370	08S65670Y03	CAP,CER 335KX5R1E-CP
C371	08S65670Y03	CAP,CER 335KX5R1E-CP
C387	08S45677W60	CAP,CER 102J-CH1H-CP
C388	08S45676W83	CAP,CER 473K-B1C -CP
C389	08S65667Y01	CAP,CER 224KX5R1C-CP
C502	08S35374W11	CAP,CER 475K-B0J -CP
C503	08S45677W14	CAP,CER.12RJ-CH1H-CP
C504	08S45677W16	CAP,CER.15RJ-CH1H-CP
C505	08S45676W80	CAP,CER 223K-B1E -CP
C506	08T15807W05	CAP,CP 104-B-K-1H
C507	08S65128F78	CAP,CER.223K-B1H -CP
C509	08S65674Y05	CAP,CER 105KX5R1C-CP
C510	08S65669Y01	CAP,CER 334KX7R1E-CP
C511	08S35374W01	CAP,CER 104K-B1E-CP
C512	08S65128F90	CAP,CER 473K-B1H -CP
C513	08S45676W85	CAP,CER 104K-B1C -CP
C514	08S65674Y05	CAP,CER 105KX5R1C-CP
C515	08S45676W80	CAP,CER 223K-B1E -CP
C518	08S45677W22	CAP,CER.27RJ-CH1H-CP
C519	08S45677W36	CAP,CER.101J-CH1H-CP

C520	08S45677W36	CAP,CER.101J-CH1H-CP
C521	08S45676W65	CAP,CER.222K-B1H -CP
C522	08S45676W80	CAP,CER 223K-B1E -CP
C523	08S45676W85	CAP,CER 104K-B1C -CP
C525	08S45676W73	CAP,CER.103K-B1H -CP
C526	08S65671Y01	CAP,CER 226KX5R1A-CP
C601	08S45676W85	CAP,CER 104K-B1C -CP
C602	08S45676W85	CAP,CER 104K-B1C -CP
C603	08S45676W85	CAP,CER 104K-B1C -CP
C604	08S45677W12	CAP,CER.10RD-CH1H-CP
C801	08T55390W34	CAP,TF 274J-1H -R5
C802	08S45676W80	CAP,CER 223K-B1E -CP
C804	08S65667Y01	CAP,CER 224KX5R1C-CP
C806	08S45677W36	CAP,CER.101J-CH1H-CP
C809	08S45676W80	CAP,CER 223K-B1E -CP
C810	08S45676W80	CAP,CER 223K-B1E -CP
C811	08S45676W80	CAP,CER 223K-B1E -CP
C815	08S45676W85	CAP,CER 104K-B1C -CP
C816	08S65667Y01	CAP,CER 224KX5R1C-CP
C817	08S60102F44	CAP,CER 474K-B1E -CP
C818	08S45676W85	CAP,CER 104K-B1C -CP
C820	08S45676W85	CAP,CER 104K-B1C -CP
C821	08S65667Y01	CAP,CER 224KX5R1C-CP
C823	08S45676W85	CAP,CER 104K-B1C -CP
C824	08S45676W85	CAP,CER 104K-B1C -CP
C825	08S45676W85	CAP,CER 104K-B1C -CP
C826	08S45676W80	CAP,CER 223K-B1E -CP
C827	08S65674Y05	CAP,CER 105KX5R1C-CP
C828	08S65674Y05	CAP,CER 105KX5R1C-CP
C831	08S65128F78	CAP,CER.223K-B1H -CP
C832	08S35374W01	CAP,CER 104K-B1E-CP
C833	08S65667Y01	CAP,CER 224KX5R1C-CP
C834	08S65674Y05	CAP,CER 105KX5R1C-CP
C835	08S65676Y05	CAP,CER 105KX7R1E-CP
C836	08S65128F78	CAP,CER.223K-B1H -CP
C837	08S45539Y04	CAP,CER 103KX7R2J-CP
C838	08S45539Y04	CAP,CER 103KX7R2J-CP
C839	08S45539Y04	CAP,CER 103KX7R2J-CP
C840	08S45539Y04	CAP,CER 103KX7R2J-CP
C841	08S45539Y04	CAP,CER 103KX7R2J-CP
C842	08S45676W68	CAP,CER.392K-B1H -CP
C844	08S45677W60	CAP,CER 102J-CH1H-CP
C845	08S45539Y04	CAP,CER 103KX7R2J-CP
CB101	09T25261Y22	FFC,SFW22R-1STE1 -EQ
CB501	09T55175Y15	FFC,IMSA9617S-15Y-ED
CB601	09T03498K09	WTB,53253-0910 -DB
CB801	09T03498K02	WTB,53253-0210 -DB
CB802	09T03498K02	WTB,53253-0210 -DB
D001	48T85357W01	DIO,1PS226 -CP
D104	48T25593Y01	DIO,S1G-6904 -E1
D105	48T25593Y01	DIO,S1G-6904 -E1
D301	48T25651W01	DIO,CP MA152WA
D302	48T25651W01	DIO,CP MA152WA
D303	48T25651W01	DIO,CP MA152WA
D387	48T25665Y01	DIO,1SS355-TE17 -CP
D388	48T25593Y01	DIO,S1G-6904 -E1
D389	48T25593Y01	DIO,S1G-6904 -E1

D390	48T25593Y01	DIO,S1G-6904	-E1
D391	48T25593Y01	DIO,S1G-6904	-E1
D392	48T25593Y01	DIO,S1G-6904	-E1
D393	48T25593Y01	DIO,S1G-6904	-E1
D394	48T25593Y01	DIO,S1G-6904	-E1
D395	48T25593Y01	DIO,S1G-6904	-E1
D501	48T25651W02	DIO,MA152WK-TX	-CP
D502	48T25651W01	DIO,CP MA152WA	
D503	48T25651W02	DIO,MA152WK-TX	-CP
D504	48T68828F11	DIO,1SS133 -RH	
D505	48T45701Y01	DIO,MA2S728-TX	-CP
D601	48T85357W01	DIO,1PS226	-CP
D602	48T85357W01	DIO,1PS226	-CP
D802	48T25593Y01	DIO,S1G-6904	-E1
D803	48T81063F01	DIO,CP.MA159 / TX-CP	
D804	48T25593Y01	DIO,S1G-6904	-E1
D805	48T25593Y01	DIO,S1G-6904	-E1
D806	48T44813F03	DIO,MA165	-R5
D807	48T25651W02	DIO,MA152WK-TX	-CP
D808	48T25593Y01	DIO,S1G-6904	-E1
D809	48T68580F02	DIO,SI DSA3A4-15	
E001	23S45639Y08	CAP,ELY 22R-1C	-R2
E002	23S45639Y08	CAP,ELY 22R-1C	-R2
E003	23S45639Y08	CAP,ELY 22R-1C	-R2
E004	23S45639Y06	CAP,ELY 221-1A	-R2
E101	23S45639Y13	CAP,ELY 4R7-1V	-R2
E102	23S45639Y05	CAP,ELY 101-1A	-R2
E103	23S95415W02	CAP,ELY 471-1A	-R2
E201	23S45639Y13	CAP,ELY 4R7-1V	-R2
E202	23S45639Y24	CAP,ELY 3R3-1H	-R2
E203	23S45639Y24	CAP,ELY 3R3-1H	-R2
E204	23S45639Y24	CAP,ELY 3R3-1H	-R2
E205	23S45639Y24	CAP,ELY 3R3-1H	-R2
E206	23S45639Y24	CAP,ELY 3R3-1H	-R2
E207	23S45639Y06	CAP,ELY 221-1A	-R2
E208	23S65134W12	CAP,ELY 47R-0J(5)-E3	
E209	23S65134W12	CAP,ELY 47R-0J(5)-E3	
E211	23S65134W12	CAP,ELY 47R-0J(5)-E3	
E212	23S65134W12	CAP,ELY 47R-0J(5)-E3	
E213	23S45639Y24	CAP,ELY 3R3-1H	-R2
E214	23S45639Y06	CAP,ELY 221-1A	-R2
E215	23S45639Y23	CAP,ELY 2R2-1H	-R2
E217	23S65134W12	CAP,ELY 47R-0J(5)-E3	
E218	23S45639Y23	CAP,ELY 2R2-1H	-R2
E219	23S65134W12	CAP,ELY 47R-0J(5)-E3	
E220	23S65134W12	CAP,ELY 47R-0J(5)-E3	
E221	23S65134W12	CAP,ELY 47R-0J(5)-E3	
E225	23S65134W12	CAP,ELY 47R-0J(5)-E3	
E227	23S45639Y07	CAP,ELY 10R-1C	-R2
E228	23S45639Y05	CAP,ELY 101-1A	-R2
E229	23S45639Y08	CAP,ELY 22R-1C	-R2
E315	23S65134W79	CAP,ELY R68-1H(3)-E2	
E316	23S65134W79	CAP,ELY R68-1H(3)-E2	
E317	23S65134W79	CAP,ELY R68-1H(3)-E2	
E318	23S65134W79	CAP,ELY R68-1H(3)-E2	
E319	23S45639Y07	CAP,ELY 10R-1C	-R2
E320	23S45639Y07	CAP,ELY 10R-1C	-R2

E323	23S45639Y24	CAP,ELY 3R3-1H	-R2
E324	23S45639Y05	CAP,ELY 101-1A	-R2
E325	23S45639Y07	CAP,ELY 10R-1C	-R2
E326	23S45639Y07	CAP,ELY 10R-1C	-R2
E327	23S45639Y07	CAP,ELY 10R-1C	-R2
E328	23S45639Y07	CAP,ELY 10R-1C	-R2
E387	23S45639Y09	CAP,ELY 47R-1C	-R2
E388	23S65134W65	CAP,ELY 1R0-1H(3)-E2	
E389	23S95415W03	CAP,ELY 10R-1C	-R2
E390	23S95415W14	CAP,ELY R22-1H	-R2
E501	23T95564W09	CAP,FC 22R-1C-C	-E3
E502	23T95564W09	CAP,FC 22R-1C-C	-E3
E503	23S45639Y03	CAP,ELY 331-0J	-R2
E504	23S45639Y06	CAP,ELY 221-1A	-R2
E601	23S45639Y22	CAP,ELY 1R0-1H	-R2
E602	23S45639Y07	CAP,ELY 10R-1C	-R2
E603	23S45639Y07	CAP,ELY 10R-1C	-R2
E604	23S82372F08	CAP,ELY.10R-1C-BP-R2	
E605	23S82372F08	CAP,ELY.10R-1C-BP-R2	
E606	23S45639Y08	CAP,ELY 22R-1C	-R2
E801	23T55521W18	CAP,AK .47R-1C	-R2
E804	23S95415W02	CAP,ELY 471-1A	-R2
E805	23S55039Y01	CAP,ELY 221-0J	-R2
E806	23S65134W36	CAP,ELY 221-1C(8)-EA	
E814	23T75325Y01	CAP,VB 332-1C	+
F801	65T75477Y13	FUSE,CCP2E 4.0A	-CP
IC101	51T55517Y02	NJU7223DL1-33TE1-NE5	
IC201	51T55517Y02	NJU7223DL1-33TE1-NE5	
IC202	51-01487Z01	TC94A48FG	-QT
IC204	51T65381Y01	TDA7412	-QT
IC301	51T93340F02	NJM2060V-TE2	-SE2
IC302	51T15420Y01	BA4560F-E2	-SE2
IC305	51T15420Y01	BA4560F-E2	-SE2
IC306	51T93340F02	NJM2060V-TE2	-SE2
IC307	51T55148Y01	TA8273H	-ZS
IC501(*)	51-01254Z01	MTP,D70F3263YGC	-QT
IC502	51T45703Y01	TA48M033F-TE16L	-NE5
IC503	51T65778Y01	BR24L02F-W-E2	-SE2
IC504	51T25045Y03	AN7705SP-TX	-NE5
IC505	51T93532F05	TC4S01F-TE85L	-CP
IC506	51T93332F01	IC,NJM2903M-TE3	-SE2
IC507	51T15362Y01	TC74HCT7007AFTP2-SE6	
IC508	51T75063Y02	BD5224G-TR	-CP
IC509	51T15362Y01	TC74HCT7007AFTP2-SE6	
IC601	51T15185Y01	TC7SH08FU-TE85L	-CP
IC602	51T15185Y01	TC7SH08FU-TE85L	-CP
IC604	51T55166Y01	NJM2100V-TE2	-SE2
IC802	51T25448Y01	BA6219BFP-Y-E2	-SE9
IC803	51T65147Y01	HA13165	-ZS
L001	24T25164Y21	IND,FSLM2520 4R7J-CP	
L002	24T16403W29	COI,IND.15R-M	-CP
L003	24T25164Y21	IND,FSLM2520 4R7J-CP	
L006	24T35401Y18	IND,HK1608 R027J	-CP
L007	24T35401Y20	IND,HK1608 R039J	-CP
LD601	48T65477W05	LED,SML-010DTT87	-CP
LD602	48T65477W05	LED,SML-010DTT87	-CP
Q001	48T62967F02	TR,DTC114EKA-T146-CP	

Q003	48T52437F05	TR ,2SB709A-S /TX-CP
Q004	48T62966F23	TR,DTA123YKA-T146-CP
Q005	48T62967F02	TR,DTC114EKA-T146-CP
Q101	48T75205Y02	TR,FMC3A-T148 -CP
Q302	48T25317Y01	TR,XN0F256-TX -CP
Q303	48T25317Y01	TR,XN0F256-TX -CP
Q304	48T25317Y01	TR,XN0F256-TX -CP
Q387	48T62967F02	TR,DTC114EKA-T146-CP
Q388	48T75205Y01	TR,FMC2A-T148 -CP
Q389	48T62967F03	TR,DTC124EKA-T146-CP
Q501	48T75205Y02	TR,FMC3A-T148 -CP
Q502	48T93828F04	TR,2SD1994A-S-TA -RD
Q503	48T93828F04	TR,2SD1994A-S-TA -RD
Q504	48T75205Y02	TR,FMC3A-T148 -CP
Q508	48T52437F05	TR ,2SB709A-S /TX-CP
Q509	48T62967F02	TR,DTC114EKA-T146-CP
Q514	48T52438F01	TR ,2SD601A-RS/TX-CP
Q515	48T52437F01	TR ,2SB709A-QR/TX-CP
Q516	48T75205Y02	TR,FMC3A-T148 -CP
Q517	48T62966F01	TR,DTA143EKA-T146-CP
Q601	48T62967F02	TR,DTC114EKA-T146-CP
Q801	48T62967F01	TR,DTC143EKA-T146-CP
Q802	48T75205Y02	TR,FMC3A-T148 -CP
Q803	48T75205Y02	TR,FMC3A-T148 -CP
Q805	48T84366F04	TR,2SB1243-QR-TV2-RD
Q806	48T62967F01	TR,DTC143EKA-T146-CP
Q807	48T75205Y01	TR,FMC2A-T148 -CP
Q808	48T62967F03	TR,DTC124EKA-T146-CP
Q809	48T62966F01	TR,DTA143EKA-T146-CP
Q812	48T93828F04	TR,2SD1994A-S-TA -RD
Q813	48T93828F04	TR,2SD1994A-S-TA -RD
Q814	48T92368F04	TR,2SD1760 R -E5
Q815	48T75205Y02	TR,FMC3A-T148 -CP
Q817	48T62967F03	TR,DTC124EKA-T146-CP
Q818	48T73023F01	TR ,2SD874A -E2
Q819	48T75205Y02	TR,FMC3A-T148 -CP
Q821	48T92368F04	TR,2SD1760 R -E5
Q822	48T75205Y02	TR,FMC3A-T148 -CP
Q823	48T75205Y02	TR,FMC3A-T148 -CP
Q824	48T75205Y02	TR,FMC3A-T148 -CP
Q825	48T75205Y02	TR,FMC3A-T148 -CP
Q826	48T75205Y02	TR,FMC3A-T148 -CP
Q827	48T62967F02	TR,DTC114EKA-T146-CP
R001	06S55361Y17	RES,RK 10RJ 1/4 -CP
R002	06S55361Y17	RES,RK 10RJ 1/4 -CP
R003	06S55365Y65	RES,RK 102J 1/10 -CP
R004	06S55365Y65	RES,RK 102J 1/10 -CP
R005	06S55366Y06	RES,RK 473J 1/10 -CP
R008	06S55366Y14	RES,RK 104J 1/10 -CP
R015	06S55365Y77	RES,RK 332J 1/10 -CP
R016	06S55361Y69	RES,RK 152J 1/4 -CP
R101	06S55365Y97	RES,RK 223J 1/10 -CP
R102	06S55365Y97	RES,RK 223J 1/10 -CP
R108	06S55366Y39	RES,RK JUMPER1/10-CP
R109	06S55361Y05	RES,RK 3R3J 1/4 -CP
R111	06S55366Y39	RES,RK JUMPER1/10-CP
R201	06S55361Y05	RES,RK 3R3J 1/4 -CP

R202	06S55365Y65	RES,RK 102J 1/10 -CP
R203	06S55365Y65	RES,RK 102J 1/10 -CP
R204	06S55365Y65	RES,RK 102J 1/10 -CP
R205	06S55365Y65	RES,RK 102J 1/10 -CP
R206	06S55365Y65	RES,RK 102J 1/10 -CP
R208	06S55365Y65	RES,RK 102J 1/10 -CP
R209	06S55365Y43	RES,RK 121J 1/10 -CP
R210	06S55365Y43	RES,RK 121J 1/10 -CP
R211	06S55366Y38	RES,RK 105J 1/10 -CP
R212	06S55365Y49	RES,RK 221J 1/10 -CP
R213	06S55365Y73	RES,RK 222J 1/10 -CP
R215	06S55365Y98	RES,RK 243J 1/10 -CP
R216	06S55365Y73	RES,RK 222J 1/10 -CP
R217	06S55365Y77	RES,RK 332J 1/10 -CP
R218	06S55366Y22	RES,RK 224J 1/10 -CP
R219	06S55365Y53	RES,RK 331J 1/10 -CP
R220	06S55365Y57	RES,RK 471J 1/10 -CP
R221	06S55365Y65	RES,RK 102J 1/10 -CP
R303	06S55362Y39	RES,RK JUMPER 1/4-CP
R305	06S55362Y39	RES,RK JUMPER 1/4-CP
R306	06S55362Y39	RES,RK JUMPER 1/4-CP
R307	06S55365Y97	RES,RK 223J 1/10 -CP
R320	06S55365Y97	RES,RK 223J 1/10 -CP
R321	06S55366Y11	RES,RK 753J 1/10 -CP
R322	06S55366Y11	RES,RK 753J 1/10 -CP
R323	06S55365Y66	RES,RK 112J 1/10 -CP
R324	06S55365Y66	RES,RK 112J 1/10 -CP
R325	06S55365Y65	RES,RK 102J 1/10 -CP
R327	06S55365Y98	RES,RK 243J 1/10 -CP
R329	06S55365Y97	RES,RK 223J 1/10 -CP
R330	06S55365Y98	RES,RK 243J 1/10 -CP
R331	06S55365Y66	RES,RK 112J 1/10 -CP
R332	06S55365Y66	RES,RK 112J 1/10 -CP
R333	06S55365Y98	RES,RK 243J 1/10 -CP
R335	06S55365Y97	RES,RK 223J 1/10 -CP
R337	06S55365Y98	RES,RK 243J 1/10 -CP
R339	06S55366Y11	RES,RK 753J 1/10 -CP
R341	06S55366Y11	RES,RK 753J 1/10 -CP
R345	06S55365Y97	RES,RK 223J 1/10 -CP
R347	06S55365Y98	RES,RK 243J 1/10 -CP
R349	06S55365Y97	RES,RK 223J 1/10 -CP
R350	06S55366Y11	RES,RK 753J 1/10 -CP
R352	06S55366Y11	RES,RK 753J 1/10 -CP
R357	06S55365Y97	RES,RK 223J 1/10 -CP
R358	06S55365Y97	RES,RK 223J 1/10 -CP
R360	06S55365Y98	RES,RK 243J 1/10 -CP
R362	06S55365Y97	RES,RK 223J 1/10 -CP
R363	06S55365Y98	RES,RK 243J 1/10 -CP
R365	06S55365Y97	RES,RK 223J 1/10 -CP
R366	06S55365Y98	RES,RK 243J 1/10 -CP
R367	06S55365Y98	RES,RK 243J 1/10 -CP
R368	06S55366Y09	RES,RK 623J 1/10 -CP
R369	06S55366Y09	RES,RK 623J 1/10 -CP
R370	06S55363Y49	RES,RK 221J 1/8 -CP
R371	06S55363Y49	RES,RK 221J 1/8 -CP
R372	06S55363Y49	RES,RK 221J 1/8 -CP
R373	06S55365Y98	RES,RK 243J 1/10 -CP

R374	06S55366Y09	RES,RK 623J 1/10 -CP
R375	06S55366Y09	RES,RK 623J 1/10 -CP
R376	06S55366Y09	RES,RK 623J 1/10 -CP
R377	06S55363Y49	RES,RK 221J 1/8 -CP
R378	06S55363Y49	RES,RK 221J 1/8 -CP
R379	06S55366Y09	RES,RK 623J 1/10 -CP
R380	06S55363Y49	RES,RK 221J 1/8 -CP
R381	06S55363Y41	RES,RK 101J 1/8 -CP
R382	06S55363Y41	RES,RK 101J 1/8 -CP
R383	06S55363Y41	RES,RK 101J 1/8 -CP
R384	06S55363Y41	RES,RK 101J 1/8 -CP
R385	06S55363Y41	RES,RK 101J 1/8 -CP
R386	06S55363Y41	RES,RK 101J 1/8 -CP
R387	06S55362Y39	RES,RK JUMPER 1/4-CP
R389	06S55361Y41	RES,RK 101J 1/4 -CP
R390	06S55365Y89	RES,RK 103J 1/10 -CP
R391	06S55365Y55	RES,RK 391J 1/10 -CP
R392	06S55365Y89	RES,RK 103J 1/10 -CP
R500	06S55365Y41	RES,RK 101J 1/10 -CP
R501	06S55365Y65	RES,RK 102J 1/10 -CP
R503	06S55365Y89	RES,RK 103J 1/10 -CP
R504	06S55365Y89	RES,RK 103J 1/10 -CP
R505	06S55365Y89	RES,RK 103J 1/10 -CP
R506	06S55365Y65	RES,RK 102J 1/10 -CP
R507	06S15593Y73	RES,RK 103F 1/10 -CP
R508	06S15593Y75	RES,RK 123F 1/10 -CP
R509	06S55366Y39	RES,RK JUMPER1/10-CP
R510	06S15593Y65	RES,RK 472F 1/10 -CP
R511	06S55365Y41	RES,RK 101J 1/10 -CP
R512	06S55365Y41	RES,RK 101J 1/10 -CP
R513	06S15593Y96	RES,RK 913F 1/10 -CP
R514	06S15593Y77	RES,RK 153F 1/10 -CP
R515	06S15594Y04	RES,RK 184F 1/10 -CP
R516	06S15594Y04	RES,RK 184F 1/10 -CP
R517	06S15593Y81	RES,RK 223F 1/10 -CP
R519	06S55365Y65	RES,RK 102J 1/10 -CP
R520	06S55365Y97	RES,RK 223J 1/10 -CP
R522	06S55365Y89	RES,RK 103J 1/10 -CP
R523	06S55365Y89	RES,RK 103J 1/10 -CP
R524	06S55365Y65	RES,RK 102J 1/10 -CP
R525	06S55365Y65	RES,RK 102J 1/10 -CP
R526	06S55365Y97	RES,RK 223J 1/10 -CP
R527	06S55365Y41	RES,RK 101J 1/10 -CP
R528	06S55365Y41	RES,RK 101J 1/10 -CP
R531	06S55365Y89	RES,RK 103J 1/10 -CP
R532	06S55365Y85	RES,RK 682J 1/10 -CP
R533	06S55365Y89	RES,RK 103J 1/10 -CP
R534	06S55365Y89	RES,RK 103J 1/10 -CP
R535	06S55365Y81	RES,RK 472J 1/10 -CP
R536	06S55365Y67	RES,RK 122J 1/10 -CP
R537	06S55365Y73	RES,RK 222J 1/10 -CP
R538	06S55365Y89	RES,RK 103J 1/10 -CP
R539	06S55366Y14	RES,RK 104J 1/10 -CP
R540	06S55365Y97	RES,RK 223J 1/10 -CP
R543	06S55365Y65	RES,RK 102J 1/10 -CP
R544	06S55366Y06	RES,RK 473J 1/10 -CP
R545	06S55365Y69	RES,RK 152J 1/10 -CP

R546	06S55365Y41	RES,RK 101J 1/10 -CP
R547	06S55365Y41	RES,RK 101J 1/10 -CP
R548	06S55365Y41	RES,RK 101J 1/10 -CP
R549	06S55361Y17	RES,RK 10RJ 1/4 -CP
R550	06S55365Y85	RES,RK 682J 1/10 -CP
R552	06S55361Y31	RES,RK 39RJ 1/4 -CP
R553	06S55361Y31	RES,RK 39RJ 1/4 -CP
R554	06S55365Y97	RES,RK 223J 1/10 -CP
R555	06S55361Y59	RES,RK 561J 1/4 -CP
R556	06S55361Y01	RES,RK 2R2J 1/4 -CP
R557	06S55361Y01	RES,RK 2R2J 1/4 -CP
R558	06S55365Y59	RES,RK 561J 1/10 -CP
R559	06S55365Y41	RES,RK 101J 1/10 -CP
R562	06S55365Y89	RES,RK 103J 1/10 -CP
R563	06S55365Y89	RES,RK 103J 1/10 -CP
R564	06S55361Y49	RES,RK 221J 1/4 -CP
R565	06S15593Y63	RES,RK 392F 1/10 -CP
R566	06S15593Y81	RES,RK 223F 1/10 -CP
R567	06S55363Y89	RES,RK 103J 1/8 -CP
R568	06S55365Y97	RES,RK 223J 1/10 -CP
R569	06S55365Y41	RES,RK 101J 1/10 -CP
R570	06S55365Y41	RES,RK 101J 1/10 -CP
R571	06S55363Y89	RES,RK 103J 1/8 -CP
R572	06S55365Y69	RES,RK 152J 1/10 -CP
R573	06S55365Y73	RES,RK 222J 1/10 -CP
R574	06S55361Y31	RES,RK 39RJ 1/4 -CP
R575	06S55363Y65	RES,RK 102J 1/8 -CP
R577	06S55363Y65	RES,RK 102J 1/8 -CP
R578	06S55363Y65	RES,RK 102J 1/8 -CP
R579	06S55363Y65	RES,RK 102J 1/8 -CP
R580	06S55363Y65	RES,RK 102J 1/8 -CP
R581	06S55363Y53	RES,RK 331J 1/8 -CP
R582	06S55361Y31	RES,RK 39RJ 1/4 -CP
R583	06S55365Y57	RES,RK 471J 1/10 -CP
R587	06S55365Y57	RES,RK 471J 1/10 -CP
R588	06S55365Y41	RES,RK 101J 1/10 -CP
R589	06S55366Y30	RES,RK 474J 1/10 -CP
R590	06S55365Y97	RES,RK 223J 1/10 -CP
R591	06S55361Y41	RES,RK 101J 1/4 -CP
R592	06S55366Y39	RES,RK JUMPER1/10-CP
R593	06S55365Y99	RES,RK 273J 1/10 -CP
R594	06S55365Y65	RES,RK 102J 1/10 -CP
R595	06S55365Y73	RES,RK 222J 1/10 -CP
R596	06S55365Y77	RES,RK 332J 1/10 -CP
R598	06S55365Y41	RES,RK 101J 1/10 -CP
R599	06S55365Y97	RES,RK 223J 1/10 -CP
R600	06S55366Y39	RES,RK JUMPER1/10-CP
R601	06S55361Y56	RES,RK 431J 1/4 -CP
R602	06S55365Y89	RES,RK 103J 1/10 -CP
R603	06S55366Y06	RES,RK 473J 1/10 -CP
R604	06S55366Y06	RES,RK 473J 1/10 -CP
R605	06S55365Y89	RES,RK 103J 1/10 -CP
R606	06S55365Y89	RES,RK 103J 1/10 -CP
R607	06S55365Y59	RES,RK 561J 1/10 -CP
R608	06S55365Y80	RES,RK 432J 1/10 -CP
R609	06S55365Y65	RES,RK 102J 1/10 -CP
R610	06S55365Y86	RES,RK 752J 1/10 -CP

R611	06S55365Y78	RES,RK 362J 1/10 -CP
R612	06S55365Y78	RES,RK 362J 1/10 -CP
R614	06S55365Y65	RES,RK 102J 1/10 -CP
R615	06S55365Y87	RES,RK 822J 1/10 -CP
R616	06S55365Y87	RES,RK 822J 1/10 -CP
R617	06S55365Y65	RES,RK 102J 1/10 -CP
R621	06S55365Y80	RES,RK 432J 1/10 -CP
R622	06S55365Y65	RES,RK 102J 1/10 -CP
R623	06S55365Y65	RES,RK 102J 1/10 -CP
R624	06S55366Y39	RES,RK JUMPER1/10-CP
R628	06S15593Y59	RES,RK 272F 1/10 -CP
R635	06S55366Y39	RES,RK JUMPER1/10-CP
R636	06S55366Y39	RES,RK JUMPER1/10-CP
R801	06S55361Y89	RES,RK 103J 1/4 -CP
R802	06S55365Y84	RES,RK 622J 1/10 -CP
R803	06S55365Y84	RES,RK 622J 1/10 -CP
R805	06S55362Y01	RES,RK 303J 1/4 -CP
R806	06S55361Y29	RES,RK 33RJ 1/4 -CP
R807	06S55361Y29	RES,RK 33RJ 1/4 -CP
R808	06S55361Y29	RES,RK 33RJ 1/4 -CP
R809	06S55361Y29	RES,RK 33RJ 1/4 -CP
R810	06S55361Y29	RES,RK 33RJ 1/4 -CP
R811	06S55361Y29	RES,RK 33RJ 1/4 -CP
R824	06S55366Y14	RES,RK 104J 1/10 -CP
R825	06S55361Y71	RES,RK 182J 1/4 -CP
R826	06S55365Y98	RES,RK 243J 1/10 -CP
R827	06S55361Y71	RES,RK 182J 1/4 -CP
R828	06S35083Y31	RES,RK 332F 1/4 -CP
R829	06S35083Y35	RES,RK 682F 1/4 -CP
R832	06S35083Y42	RES,RK 273F 1/4 -CP
R833	06S55361Y01	RES,RK 2R2J 1/4 -CP
R834	06S55361Y01	RES,RK 2R2J 1/4 -CP
R835	06S35083Y45	RES,RK 473F 1/4 -CP
R837	06S55365Y93	RES,RK 153J 1/10 -CP
R838	06S55361Y89	RES,RK 103J 1/4 -CP
R839	06S55363Y89	RES,RK 103J 1/8 -CP
R840	06S55361Y65	RES,RK 102J 1/4 -CP
R841	06S55366Y01	RES,RK 303J 1/10 -CP
R844	06S55361Y71	RES,RK 182J 1/4 -CP
R847	06S55361Y01	RES,RK 2R2J 1/4 -CP
R848	06S55361Y57	RES,RK 471J 1/4 -CP
R849	06S55365Y89	RES,RK 103J 1/10 -CP
R850	06S55361Y89	RES,RK 103J 1/4 -CP
R851	06S55361Y59	RES,RK 561J 1/4 -CP
R852	06S55361Y01	RES,RK 2R2J 1/4 -CP
R854	06S55361Y01	RES,RK 2R2J 1/4 -CP
R855	06S55361Y55	RES,RK 391J 1/4 -CP
R856	06S55361Y51	RES,RK 271J 1/4 -CP
R857	06S55361Y51	RES,RK 271J 1/4 -CP
R860	06S55365Y95	RES,RK 183J 1/10 -CP
R861	06S55366Y14	RES,RK 104J 1/10 -CP
SA001	48T81048F02	PTT,DSP-201M -RD
SW301	40T45282W02	SW,SLIDE SLD-42-508X
SW601	40T45557Y01	SW,SLIDE SSAC120100
TH501	48T25250Y01	TMT,ERTJ1VV104J -CP
VT001	24T35286Y02	IND,MG56 332J -DB
XL201	91T25806W71	XTL,AT-51 11.289M-R5

XL501	91T55360Y07	XTL,AT-51 5.000M -R5
Z001	91T65112W06	EMI,BK2125HM102 -CP
Z201	91T65112W06	EMI,BK2125HM102 -CP
Z202	91T65112W06	EMI,BK2125HM102 -CP
Z203	91T65112W06	EMI,BK2125HM102 -CP
Z204	91T65112W06	EMI,BK2125HM102 -CP
Z205	24T35072W03	FBI,BL02RN1R2P1A -R5
Z501	91T65112W06	EMI,BK2125HM102 -CP
Z601	91T45556Y06	EMI,NFM21HC102R1H-CP
Z602	91T45556Y06	EMI,NFM21HC102R1H-CP
ZD504	48T25766W24	DIO,ZEN.HZS 9C1L -R5
ZD801	48T62934F09	DIO,ZEN.RD3.6MB2 -CP
ZD802	48T25766W09	DIO,ZEN.HZS 6C3L -R5
ZD803	48T25766W38	DIO,ZEN.HZS12A3L -R5
ZD805	48T25766W36	DIO,ZEN.HZS12A1L -R5
ZD806	48T25766W39	DIO,ZEN.HZS12B1L -R5
ZD807	48T25766W20	DIO,ZEN.HZS 9A2L -R5

=====FRONT P.W.Board

C402	08S35374W01	CAP,CER 104K-B1E-CP
C403	08S35374W01	CAP,CER 104K-B1E-CP
C404	08S35374W01	CAP,CER 104K-B1E-CP
C405	08S35374W01	CAP,CER 104K-B1E-CP
C406	08S35374W01	CAP,CER 104K-B1E-CP
C407	08S35374W01	CAP,CER 104K-B1E-CP
C408	08S35374W01	CAP,CER 104K-B1E-CP
C409	08S35374W01	CAP,CER 104K-B1E-CP
C410	08T81833F12	CAP,CER 106K-B1A -CP
C414	08S45676W85	CAP,CER 104K-B1C -CP
C415	08S45676W85	CAP,CER 104K-B1C -CP
C416	08S35350Y04	CAP,CER 105K-B1C -CP
C417	08S45676W85	CAP,CER 104K-B1C -CP
C420	08S45676W85	CAP,CER 104K-B1C -CP
C421	08S45676W85	CAP,CER 104K-B1C -CP
C422	08S45676W85	CAP,CER 104K-B1C -CP
C423	08S45676W85	CAP,CER 104K-B1C -CP
C424	08S45676W80	CAP,CER 223K-B1E -CP
C425	08S45676W80	CAP,CER 223K-B1E -CP
C428	08S45677W12	CAP,CER.10RD-CH1H-CP
C429	08S45677W14	CAP,CER.12RJ-CH1H-CP
C430	08S35374W01	CAP,CER 104K-B1E-CP
C431	08S35374W01	CAP,CER 104K-B1E-CP
CB406	09T45507Y08	FFC,IMSA9631S-08Y-E9
D406	48T85357W01	DIO,1PS226 -CP
D407	48T85357W01	DIO,1PS226 -CP
D408	48T85357W01	DIO,1PS226 -CP
D410	48T85357W01	DIO,1PS226 -CP
D411	48T85357W01	DIO,1PS226 -CP
D413	48T85357W01	DIO,1PS226 -CP
D451	48T85357W01	DIO,1PS226 -CP
D453	48T85357W01	DIO,1PS226 -CP
D454	48T85357W01	DIO,1PS226 -CP
D455	48T85357W01	DIO,1PS226 -CP
D462	48T85357W01	DIO,1PS226 -CP
D463	48T85357W01	DIO,1PS226 -CP
D467	48T85357W01	DIO,1PS226 -CP
IC401(*)	51T65060Y01	MTP,D70F3033BGCXXXQT

IC402	51T25284Y01	S1D15206F11A200 -QT
IC405	51T55628Y01	RS-671 -NE2
LD403	48T25534Y01	LED,GRN BG1111C -CP
LD404	48T25534Y01	LED,GRN BG1111C -CP
LD405	48T25534Y01	LED,GRN BG1111C -CP
LD406	48T25534Y02	LED,RED BR1111C -CP
LD407	48T25534Y01	LED,GRN BG1111C -CP
LD408	48T25534Y01	LED,GRN BG1111C -CP
LD409	48T75013Y01	LED,WHT UW1141C -CP
LD410	48T75013Y01	LED,WHT UW1141C -CP
LD411	48T25534Y01	LED,GRN BG1111C -CP
LD412	48T25534Y01	LED,GRN BG1111C -CP
LD413	48T75013Y01	LED,WHT UW1141C -CP
LD414	48T75013Y01	LED,WHT UW1141C -CP
LD416	48T25534Y01	LED,GRN BG1111C -CP
LD417	48T25534Y01	LED,GRN BG1111C -CP
LD418	48T25534Y01	LED,GRN BG1111C -CP
LD425	48T25534Y01	LED,GRN BG1111C -CP
LD426	48T25534Y01	LED,GRN BG1111C -CP
LD456	48-00415Z01	LED,WHT NSCW505CT-E2
LD457	48-00415Z01	LED,WHT NSCW505CT-E2
LD460	48-00415Z01	LED,WHT NSCW505CT-E2
LD461	48-00415Z01	LED,WHT NSCW505CT-E2
LD471	48T35306Y06	LED,BLU UB1104B -CP
Q405	48T63788F04	TR ,CP.2SD1328-T -TX
Q410	48T63788F04	TR ,CP.2SD1328-T -TX
Q411	48T63788F04	TR ,CP.2SD1328-T -TX
Q413	48T63788F04	TR ,CP.2SD1328-T -TX
Q414	48T62967F02	TR,DTC114EKA-T146-CP
Q415	48T73023F01	TR ,2SD874A -E2
Q416	48T63788F04	TR ,CP.2SD1328-T -TX
Q418	48T62967F02	TR,DTC114EKA-T146-CP
Q419	48T62967F02	TR,DTC114EKA-T146-CP
R401	06S55361Y91	RES,RK 123J 1/4 -CP
R402	06S55365Y65	RES,RK 102J 1/10 -CP
R4023	06S55365Y65	RES,RK 102J 1/10 -CP
R403	06S55361Y65	RES,RK 102J 1/4 -CP
R404	06S55365Y97	RES,RK 223J 1/10 -CP
R405	06S55363Y65	RES,RK 102J 1/8 -CP
R406	06S55363Y65	RES,RK 102J 1/8 -CP
R407	06S55363Y73	RES,RK 222J 1/8 -CP
R408	06S55363Y65	RES,RK 102J 1/8 -CP
R409	06S55361Y49	RES,RK 221J 1/4 -CP
R410	06S55365Y41	RES,RK 101J 1/10 -CP
R4101	06S55365Y97	RES,RK 223J 1/10 -CP
R4102	06S55361Y61	RES,RK 681J 1/4 -CP
R4103	06S55361Y61	RES,RK 681J 1/4 -CP
R4104	06S55361Y61	RES,RK 681J 1/4 -CP
R4109	06S55361Y34	RES,RK 51RJ 1/4 -CP
R411	06S55363Y41	RES,RK 101J 1/8 -CP
R4110	06S55361Y26	RES,RK 24RJ 1/4 -CP
R4111	06S55365Y65	RES,RK 102J 1/10 -CP
R4112	06S55365Y65	RES,RK 102J 1/10 -CP
R4113	06S55365Y65	RES,RK 102J 1/10 -CP
R4114	06S55365Y65	RES,RK 102J 1/10 -CP
R412	06S55365Y65	RES,RK 102J 1/10 -CP
R413	06S55365Y65	RES,RK 102J 1/10 -CP

R414	06S55365Y65	RES,RK 102J 1/10 -CP
R415	06S55365Y89	RES,RK 103J 1/10 -CP
R416	06S55365Y89	RES,RK 103J 1/10 -CP
R417	06S45675W31	RES,RK 125J 1/10 -CP
R418	06S55366Y38	RES,RK 105J 1/10 -CP
R419	06S55366Y36	RES,RK 824J 1/10 -CP
R420	06S55361Y56	RES,RK 431J 1/4 -CP
R421	06S55361Y62	RES,RK 751J 1/4 -CP
R422	06S55361Y56	RES,RK 431J 1/4 -CP
R423	06S55365Y41	RES,RK 101J 1/10 -CP
R424	06S55365Y65	RES,RK 102J 1/10 -CP
R425	06S55361Y56	RES,RK 431J 1/4 -CP
R426	06S55365Y65	RES,RK 102J 1/10 -CP
R427	06S55365Y89	RES,RK 103J 1/10 -CP
R428	06S55361Y89	RES,RK 103J 1/4 -CP
R429	06S55361Y61	RES,RK 681J 1/4 -CP
R431	06S55365Y65	RES,RK 102J 1/10 -CP
R432	06S55365Y89	RES,RK 103J 1/10 -CP
R433	06S55365Y75	RES,RK 272J 1/10 -CP
R434	06S55365Y65	RES,RK 102J 1/10 -CP
R435	06S55365Y65	RES,RK 102J 1/10 -CP
R436	06S55365Y65	RES,RK 102J 1/10 -CP
R437	06S55365Y79	RES,RK 392J 1/10 -CP
R438	06S55365Y41	RES,RK 101J 1/10 -CP
R439	06S55365Y41	RES,RK 101J 1/10 -CP
R440	06S55365Y41	RES,RK 101J 1/10 -CP
R441	06S55365Y87	RES,RK 822J 1/10 -CP
R442	06S55361Y62	RES,RK 751J 1/4 -CP
R444	06S55365Y41	RES,RK 101J 1/10 -CP
R445	06S55365Y73	RES,RK 222J 1/10 -CP
R446	06S55365Y73	RES,RK 222J 1/10 -CP
R449	06S55361Y60	RES,RK 621J 1/4 -CP
R450	06S55361Y51	RES,RK 271J 1/4 -CP
R453	06S55365Y65	RES,RK 102J 1/10 -CP
R454	06S55365Y97	RES,RK 223J 1/10 -CP
R455	06S55361Y57	RES,RK 471J 1/4 -CP
R456	06S55365Y89	RES,RK 103J 1/10 -CP
R457	06S55365Y41	RES,RK 101J 1/10 -CP
R458	06S55365Y01	RES,RK 2R2J 1/10 -CP
R459	06S55361Y42	RES,RK 111J 1/4 -CP
R460	06S55365Y65	RES,RK 102J 1/10 -CP
R461	06S55361Y42	RES,RK 111J 1/4 -CP
R466	06S55365Y97	RES,RK 223J 1/10 -CP
R467	06S55365Y97	RES,RK 223J 1/10 -CP
R471	06S55363Y65	RES,RK 102J 1/8 -CP
R472	06S55365Y99	RES,RK 273J 1/10 -CP
R473	06S55365Y41	RES,RK 101J 1/10 -CP
R474	06S55365Y75	RES,RK 272J 1/10 -CP
R475	06S55365Y79	RES,RK 392J 1/10 -CP
R476	06S55365Y87	RES,RK 822J 1/10 -CP
R477	06S55365Y99	RES,RK 273J 1/10 -CP
R478	06S55361Y75	RES,RK 272J 1/4 -CP
R479	06S55365Y79	RES,RK 392J 1/10 -CP
R480	06S55365Y97	RES,RK 223J 1/10 -CP
R481	06S55365Y97	RES,RK 223J 1/10 -CP
R482	06S55365Y97	RES,RK 223J 1/10 -CP
R483	06S55365Y97	RES,RK 223J 1/10 -CP

R484	06S55365Y97	RES,RK 223J 1/10 -CP
R485	06S55365Y65	RES,RK 102J 1/10 -CP
R486	06S55365Y97	RES,RK 223J 1/10 -CP
R487	06S55365Y97	RES,RK 223J 1/10 -CP
R489	06S55365Y41	RES,RK 101J 1/10 -CP
R490	06S55365Y65	RES,RK 102J 1/10 -CP
R491	06S55365Y65	RES,RK 102J 1/10 -CP
R492	06S55365Y65	RES,RK 102J 1/10 -CP
R493	06S55365Y65	RES,RK 102J 1/10 -CP
R494	06S55365Y65	RES,RK 102J 1/10 -CP
R495	06S55365Y65	RES,RK 102J 1/10 -CP
R496	06S55361Y59	RES,RK 561J 1/4 -CP
R497	06S55365Y97	RES,RK 223J 1/10 -CP
RA403	06S45591W07	RES,ARY MNR101J 4-CP
RA404	06S45591W07	RES,ARY MNR101J 4-CP
SW404	40T65353Y01	SW,TACT SKRSPACE010E2
SW405	40T65353Y01	SW,TACT SKRSPACE010E2
SW406	40T65353Y01	SW,TACT SKRSPACE010E2
SW407	40T65353Y01	SW,TACT SKRSPACE010E2
SW408	40T65353Y01	SW,TACT SKRSPACE010E2
SW409	40T65353Y01	SW,TACT SKRSPACE010E2
SW410	40T65353Y01	SW,TACT SKRSPACE010E2
SW411	40T65353Y01	SW,TACT SKRSPACE010E2
SW412	40T65353Y01	SW,TACT SKRSPACE010E2
SW413	40T65353Y01	SW,TACT SKRSPACE010E2
SW414	40T65353Y01	SW,TACT SKRSPACE010E2
SW415	40T65353Y01	SW,TACT SKRSPACE010E2
SW417	40T65353Y01	SW,TACT SKRSPACE010E2
SW420	40T65353Y01	SW,TACT SKRSPACE010E2
SW422	40T65353Y01	SW,TACT SKRSPACE010E2
TH401	48T25250Y01	TMT,ERTJ1VV104J -CP
XL401	91T55274Y09	XTL,NX5032GA 20M -E2
ZD401	48T84735F21	DIO,ZEN.MA3082-H -CP

=====DP-S MAIN P.W.Board

C101	08S45676W73	CAP,CER.103K-B1H -CP
C102	08S45676W80	CAP,CER 223K-B1E -CP
C103	08S45676W80	CAP,CER 223K-B1E -CP
C104	08S45676W89	CAP,CER 473K-B1E -CP
C105	08S45676W89	CAP,CER 473K-B1E -CP
C106	08S45677W20	CAP,CER.22RJ-CH1H-CP
C108	08S45677W05	CAP,CER.3R0C-CH1H-CP
C109	08S45677W28	CAP,CER 47RJ-CH1H-CP
C110	08S45676W85	CAP,CER 104K-B1C -CP
C111	08S45676W85	CAP,CER 104K-B1C -CP
C112	08S45676W69	CAP,CER.472K-B1H -CP
C113	08S45676W85	CAP,CER 104K-B1C -CP
C114	08S45677W28	CAP,CER 47RJ-CH1H-CP
C115	08S45676W75	CAP,CER.153K-B1H -CP
C116	08S45676W73	CAP,CER.103K-B1H -CP
C117	08S45676W66	CAP,CER.272K-B1H -CP
C118	08S45676W73	CAP,CER.103K-B1H -CP
C119	08S45676W85	CAP,CER 104K-B1C -CP
C120	08S45676W87	CAP,CER 333K-B1E -CP
C121	08S45676W73	CAP,CER.103K-B1H -CP
C122	08S45676W73	CAP,CER.103K-B1H -CP
C123	08S45676W89	CAP,CER 473K-B1E -CP

C124	08S45676W89	CAP,CER 473K-B1E -CP
C125	08S82122F63	CAP,CER 122J-CH1H-CP
C126	08S45676W65	CAP,CER.222K-B1H -CP
C127	08S45676W73	CAP,CER.103K-B1H -CP
C128	08S45676W73	CAP,CER.103K-B1H -CP
C129	08S45676W85	CAP,CER 104K-B1C -CP
C130	08S45676W85	CAP,CER 104K-B1C -CP
C131	08S45676W85	CAP,CER 104K-B1C -CP
C132	08S35350Y05	CAP,CER 105K-B1A -CP
C133	08S45676W85	CAP,CER 104K-B1C -CP
C134	08S45676W85	CAP,CER 104K-B1C -CP
C135	08S45676W85	CAP,CER 104K-B1C -CP
C136	08S45676W73	CAP,CER.103K-B1H -CP
C138	08S45677W42	CAP,CER.181J-CH1H-CP
C139	08S35349Y17	CAP,CER 225K-B0J -CP
C140	08S45676W85	CAP,CER 104K-B1C -CP
C142	08S45676W85	CAP,CER 104K-B1C -CP
C143	08T81833F12	CAP,CER 106K-B1A -CP
C144	08T81833F12	CAP,CER 106K-B1A -CP
C145	08T81833F12	CAP,CER 106K-B1A -CP
C201	08S45676W80	CAP,CER 223K-B1E -CP
C202	08S45677W14	CAP,CER.12RJ-CH1H-CP
C203	08S45677W12	CAP,CER.10RD-CH1H-CP
C204	08S45676W85	CAP,CER 104K-B1C -CP
C205	08S35374W07	CAP,CER 334K-B1C -CP
C206	08S45677W44	CAP,CER.221J-CH1H-CP
C207	08S35350Y05	CAP,CER 105K-B1A -CP
C208	08S45676W85	CAP,CER 104K-B1C -CP
C209	08S35350Y05	CAP,CER 105K-B1A -CP
C210	08S45676W85	CAP,CER 104K-B1C -CP
C212	08S45676W85	CAP,CER 104K-B1C -CP
C213	08S45676W85	CAP,CER 104K-B1C -CP
C214	08S45676W85	CAP,CER 104K-B1C -CP
C215	08S45676W69	CAP,CER.472K-B1H -CP
C216	08S45676W69	CAP,CER.472K-B1H -CP
C217	08S45676W73	CAP,CER.103K-B1H -CP
C218	08S45676W73	CAP,CER.103K-B1H -CP
C219	08S45676W85	CAP,CER 104K-B1C -CP
C220	08S45677W18	CAP,CER.18RJ-CH1H-CP
C221	08T65231Y01	CAP,CER 226K-BJ1A-CP
C301	08S45677W52	CAP,CER 471J-CH1H-CP
C302	08S45676W80	CAP,CER 223K-B1E -CP
C303	08S45676W80	CAP,CER 223K-B1E -CP
C304	08S45677W52	CAP,CER 471J-CH1H-CP
C305	08S45676W73	CAP,CER.103K-B1H -CP
C306	08S45676W80	CAP,CER 223K-B1E -CP
C307	08S45676W85	CAP,CER 104K-B1C -CP
C308	08S45676W85	CAP,CER 104K-B1C -CP
C309	08S45676W87	CAP,CER 333K-B1E -CP
C310	08S35349Y17	CAP,CER 225K-B0J -CP
C311	08S45676W85	CAP,CER 104K-B1C -CP
C801	08S45676W80	CAP,CER 223K-B1E -CP
C802	08S45676W85	CAP,CER 104K-B1C -CP
C803	08S45676W80	CAP,CER 223K-B1E -CP
C804	08S45676W85	CAP,CER 104K-B1C -CP
C805	08S45676W80	CAP,CER 223K-B1E -CP
C806	08S45676W80	CAP,CER 223K-B1E -CP

C807	08S45676W80	CAP,CER 223K-B1E -CP
CB101	09T55174Y15	FFC,IMSA9616S-15Y-ED
CB103	09T55174Y07	FFC,IMSA9616S-07Y-E9
CB104	09T55174Y22	FFC,IMSA9616S-22Y-EQ
CL101	91T65422Y01	OSC,CER CSTCG27M0-CP
D101	48T55105Y01	DIO,SHT RB161M-20-CP
E102	23T45152Y02	CAP,RA 47R-05 -E5
E105	23T45152Y03	CAP,RA 22R-OJ -E5
E106	23T45152Y04	CAP,RA 10R-1C -E5
E107	23T45152Y04	CAP,RA 10R-1C -E5
E108	23T45152Y03	CAP,RA 22R-OJ -E5
E201	23T45152Y02	CAP,RA 47R-05 -E5
E202	23T45152Y02	CAP,RA 47R-05 -E5
E203	23T45152Y02	CAP,RA 47R-05 -E5
E204	23T45152Y03	CAP,RA 22R-OJ -E5
E205	23T45152Y03	CAP,RA 22R-OJ -E5
E206	23T45152Y03	CAP,RA 22R-OJ -E5
E801	23T45152Y02	CAP,RA 47R-05 -E5
E802	23T45152Y05	CAP,RA 4R7-1V -E5
E803	23T45152Y02	CAP,RA 47R-05 -E5
E804	23T45152Y02	CAP,RA 47R-05 -E5
IC101	51T55083Y01	TA2157FN-EL -SE6
IC102	51T55086Y01	TC94A14FA -QT
IC103	51T25503Y01	BA5985FM-E2 -SEA
IC104	51T65105Y04	IC,TMP91CP27UG-A04QT
IC201	51T55534Y02	TC94A20F-008 -QT
IC301	51T45307Y01	TC7S66FU-TE85L -CP
IC302	51T15185Y01	TC7SH08FU-TE85L -CP
IC303	51T25330Y01	TC7WH123FU-TE12L-SE1
IC304	51T55166Y01	NJM2100V-TE2 -SE2
IC801	51T35243Y02	RN5RZ25BA-TR -CP
IC802	51T35243Y02	RN5RZ25BA-TR -CP
L101	91T15509Y08	EMI,BK1608HM102 -CP
L102	91T15509Y08	EMI,BK1608HM102 -CP
L201	24T25164Y21	IND,FSLM2520 4R7J-CP
L202	24T25164Y21	IND,FSLM2520 4R7J-CP
L203	24T25164Y21	IND,FSLM2520 4R7J-CP
L204	24T25164Y33	IND,FSLM2520 47RJ-CP
Q101	48T55462Y01	TR,2SB1132-QR-100-E2
Q102	48T45251W53	TR ,UN5112 22-22 -CP
Q301	48T45251W03	TR ,UN5212 22-22 -CP
Q801	48T25462Y02	TR,UNR212X-00L -CP
Q802	48T45251W03	TR ,UN5212 22-22 -CP
Q803	48T45594W12	TR ,XN1A312 -TX-CP
R101	06S45675W05	RES,RK 913J 1/10 -CP
R102	06S45675W05	RES,RK 913J 1/10 -CP
R103	06S45674W97	RES,RK 473J 1/10 -CP
R104	06S45674W97	RES,RK 473J 1/10 -CP
R105	06S45675W45	RES,RK 1R0J 1/10 -CP
R106	06S45674W95	RES,RK 393J 1/10 -CP
R109	06S45674W85	RES,RK 153J 1/10 -CP
R110	06S45674W73	RES,RK 472J 1/10 -CP
R111	06S45674W73	RES,RK 472J 1/10 -CP
R112	06S45674W71	RES,RK 392J 1/10 -CP
R113	06S45674W33	RES,RK 101J 1/10 -CP
R114	06S45674W95	RES,RK 393J 1/10 -CP
R115	06S45674W33	RES,RK 101J 1/10 -CP

R116	06S45674W57	RES,RK 102J 1/10 -CP
R117	06S45674W33	RES,RK 101J 1/10 -CP
R118	06S45675W34	RES,RK 225J 1/10 -CP
R119	06S45675W22	RES,RK 474J 1/10 -CP
R120	06S45674W97	RES,RK 473J 1/10 -CP
R121	06S45674W75	RES,RK 562J 1/10 -CP
R122	06S45674W85	RES,RK 153J 1/10 -CP
R123	06S45674W81	RES,RK 103J 1/10 -CP
R124	06S45674W57	RES,RK 102J 1/10 -CP
R125	06S45674W69	RES,RK 332J 1/10 -CP
R126	06S45674W69	RES,RK 332J 1/10 -CP
R127	06S45674W57	RES,RK 102J 1/10 -CP
R128	06S45674W57	RES,RK 102J 1/10 -CP
R129	06S45674W57	RES,RK 102J 1/10 -CP
R130	06S45674W57	RES,RK 102J 1/10 -CP
R131	06S45674W33	RES,RK 101J 1/10 -CP
R132	06S45674W33	RES,RK 101J 1/10 -CP
R133	06S45674W91	RES,RK 273J 1/10 -CP
R134	06S45674W81	RES,RK 103J 1/10 -CP
R135	06S45674W81	RES,RK 103J 1/10 -CP
R136	06S45674W81	RES,RK 103J 1/10 -CP
R137	06S45674W81	RES,RK 103J 1/10 -CP
R138	06S45674W81	RES,RK 103J 1/10 -CP
R139	06S45674W77	RES,RK 682J 1/10 -CP
R140	06S45674W89	RES,RK 223J 1/10 -CP
R141	06S45675W05	RES,RK 913J 1/10 -CP
R142	06S45674W95	RES,RK 393J 1/10 -CP
R143	06S45674W42	RES,RK 241J-1/10 -CP
R144	06S45675W08	RES,RK 124J 1/10 -CP
R145	06S45674W33	RES,RK 101J 1/10 -CP
R146	06S45674W33	RES,RK 101J 1/10 -CP
R147	06S45675W06	RES,RK 104J 1/10 -CP
R148	06S45674W97	RES,RK 473J 1/10 -CP
R149	06S45674W97	RES,RK 473J 1/10 -CP
R150	06S45674W33	RES,RK 101J 1/10 -CP
R151	06S45674W53	RES,RK 681J 1/10 -CP
R152	06S45674W33	RES,RK 101J 1/10 -CP
R153	06S45674W41	RES,RK 221J 1/10 -CP
R154	06S45674W33	RES,RK 101J 1/10 -CP
R156	06S45674W97	RES,RK 473J 1/10 -CP
R157	06S45674W33	RES,RK 101J 1/10 -CP
R158	06S45674W33	RES,RK 101J 1/10 -CP
R159	06S45674W33	RES,RK 101J 1/10 -CP
R160	06S45674W65	RES,RK 222J 1/10 -CP
R161	06S45674W65	RES,RK 222J 1/10 -CP
R164	06S45674W97	RES,RK 473J 1/10 -CP
R166	06S45674W33	RES,RK 101J 1/10 -CP
R167	06S45675W30	RES,RK 105J 1/10 -CP
R168	06S45674W33	RES,RK 101J 1/10 -CP
R169	06S45674W97	RES,RK 473J 1/10 -CP
R171	06S45674W97	RES,RK 473J 1/10 -CP
R172	06S45674W97	RES,RK 473J 1/10 -CP
R173	06S45675W06	RES,RK 104J 1/10 -CP
R174	06S45674W97	RES,RK 473J 1/10 -CP
R175	06S45674W97	RES,RK 473J 1/10 -CP
R176	06S45674W97	RES,RK 473J 1/10 -CP
R181	06S45674W41	RES,RK 221J 1/10 -CP

R182	06S45674W41	RES,RK 221J 1/10 -CP
R183	06S45674W41	RES,RK 221J 1/10 -CP
R184	06S45674W33	RES,RK 101J 1/10 -CP
R201	06S45675W30	RES,RK 105J 1/10 -CP
R202	06S45674W25	RES,RK 47RJ 1/10 -CP
R203	06S45674W41	RES,RK 221J 1/10 -CP
R204	06S45674W45	RES,RK 331J 1/10 -CP
R205	06S45674W45	RES,RK 331J 1/10 -CP
R206	06S45674W97	RES,RK 473J 1/10 -CP
R207	06S45674W97	RES,RK 473J 1/10 -CP
R208	06S45674W33	RES,RK 101J 1/10 -CP
R209	06S45674W33	RES,RK 101J 1/10 -CP
R210	06S45675W24	RES,RK 564J 1/10 -CP
R211	06S45675W02	RES,RK 683J 1/10 -CP
R212	06S45674W35	RES,RK 121J 1/10 -CP
R213	06S45674W35	RES,RK 121J 1/10 -CP
R214	06S45674W28	RES,RK 62RJ 1/10 -CP
R215	06S45674W28	RES,RK 62RJ 1/10 -CP
R216	06S45674W37	RES,RK 151J 1/10 -CP
R301	06S45675W18	RES,RK 334J 1/10 -CP
R302	06S45674W97	RES,RK 473J 1/10 -CP
R305	06S45675W43	RES,RK JUMPER1/10-CP
R306	06S45674W97	RES,RK 473J 1/10 -CP
R307	06S45674W81	RES,RK 103J 1/10 -CP
R308	06S45674W81	RES,RK 103J 1/10 -CP
R309	06S45674W97	RES,RK 473J 1/10 -CP
R310	06S45674W69	RES,RK 332J 1/10 -CP
R311	06S45674W57	RES,RK 102J 1/10 -CP
R312	06S45674W97	RES,RK 473J 1/10 -CP
R313	06S45674W89	RES,RK 223J 1/10 -CP
R314	06S45675W14	RES,RK 224J 1/10 -CP
R315	06S45675W43	RES,RK JUMPER1/10-CP
R801	06S45675W22	RES,RK 474J 1/10 -CP
R802	06S45675W18	RES,RK 334J 1/10 -CP
R803	06S45674W97	RES,RK 473J 1/10 -CP
R805	06S45675W06	RES,RK 104J 1/10 -CP
R806	06S45675W06	RES,RK 104J 1/10 -CP
R808	06S45674W49	RES,RK 471J 1/10 -CP
R810	06S45674W49	RES,RK 471J 1/10 -CP
R812	06S45674W97	RES,RK 473J 1/10 -CP
R813	06S45674W97	RES,RK 473J 1/10 -CP
R814	06S45674W97	RES,RK 473J 1/10 -CP
R815	06S45674W97	RES,RK 473J 1/10 -CP
RA102	06S45591W15	RES,ARY MNR472J 4-CP
RA103	06S45591W15	RES,ARY MNR472J 4-CP
RA104	06S45591W02	RES,ARY MNR473J 4-CP
RA105	06S45591W02	RES,ARY MNR473J 4-CP
RA106	06S45591W02	RES,ARY MNR473J 4-CP
RA107	06S45591W02	RES,ARY MNR473J 4-CP
RA108	06S45591W14	RES,ARY MNR471J 4-CP
RA109	06S45591W14	RES,ARY MNR471J 4-CP
RA110	06S45591W02	RES,ARY MNR473J 4-CP
RA111	06S45591W02	RES,ARY MNR473J 4-CP
RA112	06S45591W02	RES,ARY MNR473J 4-CP
RA113	06S45591W02	RES,ARY MNR473J 4-CP
XL201	91T35227Y01	XTL,CS10 16.9344M-E2

=====Miscellaneous

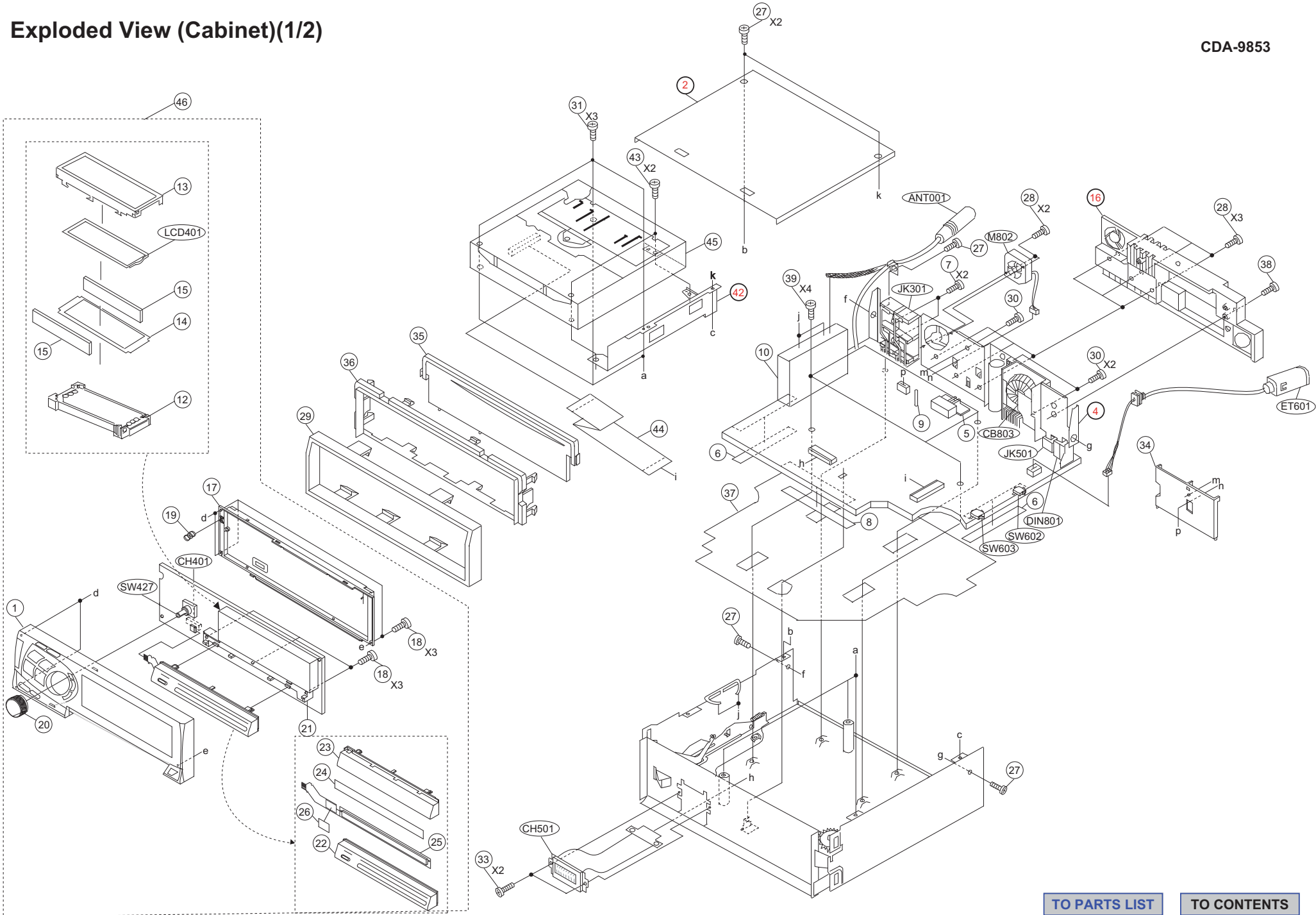
ANT001	01T03151K10	ASSY,ANT CABLE9851A
CB803	24-02502Z01	ASSY,W277A001 -DB
CH401	09T03493K15	BTB,55323-1511 -B
CH501	01T02295K03	ASSY,UNIZON CONN 93R
CH801	01T01885K02	ASSY,WIRE2P9835
DIN801	09T55071W11	CON,TCP9389-11 -DT
ET601	01T75363Y04	ASSY,AMP LINK53A
JK301	09-02179Z01	RCA,NLT1989-0 -DB
JK501	09T03156K01	JAC,CK-3.5-14 -DB
LCD401	65T65155Y04	LCD,NTD-22729AAHU-CU
M801	59T65085W01	MOTOR,LOAD FF-050SK
M802	59T55190Y19	MOTOR,F2510CT-12UCV
SW427	40T55277Y04	ENC,EC11E1544509 -B
SW602	40T15494Y14	SW,DETCT SPVG2106-E6
SW603	40T15494Y15	SW,DETCT SPVG1107-E6

=====DP23S8DA

HD101	81B70291Y01	PICKUP,EP21A67T
M101	01V58700Y85	ASSY,MOTOR WORM
M102	01V76400Y18	ASSY,MOTOR SLED 2B0
M103	01V56100Y11	ASSY,MTR SPINDOL 2B0
SW1	40T15494Y07	SW,DETCT SPVG21 -E6
SW105	40T71025F03	SW,DETCT SPPB120
SW2	40T15494Y08	SW,DETCT SPVG11 -E6
SW3	40T15494Y07	SW,DETCT SPVG21 -E6
SW4	40T15494Y07	SW,DETCT SPVG21 -E6

Exploded View (Cabinet)(1/2)

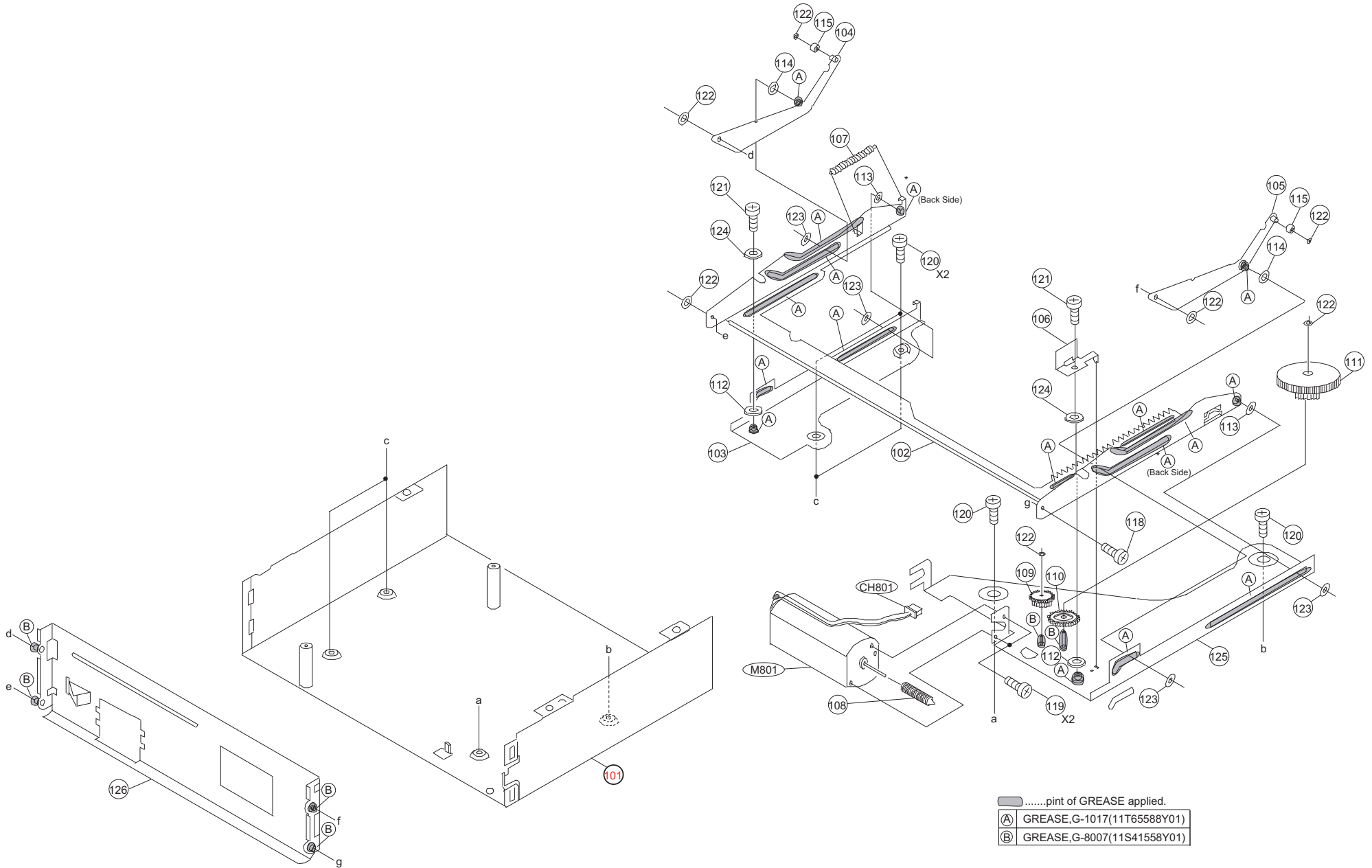
CDA-9853



[TO PARTS LIST](#) [TO CONTENTS](#)

Exploded View (Cabinet)(2/2)

CDA-9853



[TO PARTS LIST](#) [TO CONTENTS](#)

Cabinet Assembly Parts List

NOTES : The part that has not PART NUMBER will not be supplied.

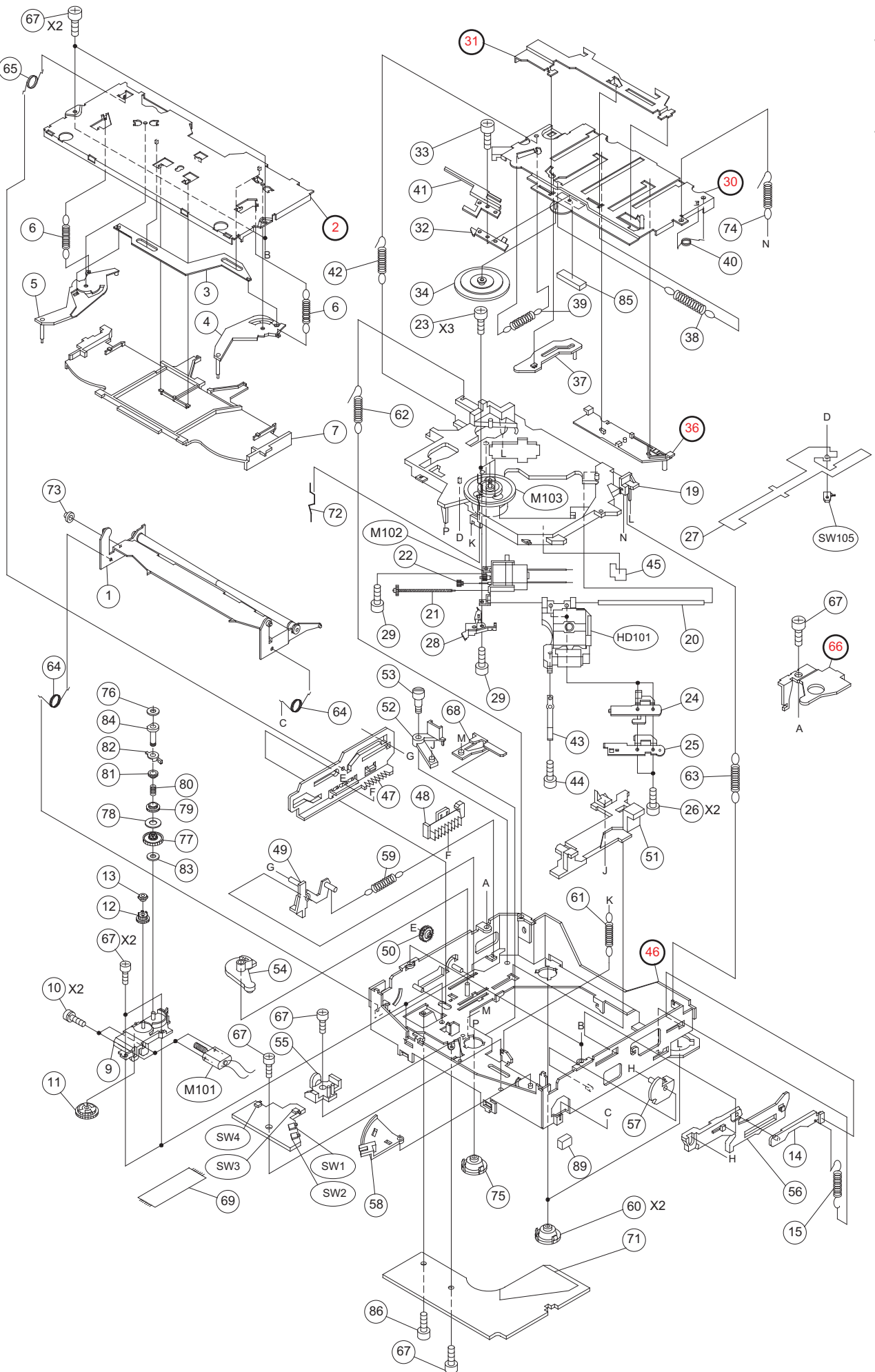
#1 : For North American Model Only, \$1 : For General Foreign Model Only,
%1 : For Chinese Model Only, Others : Common.

1	EN-01951Z01	NOSE,PIECE ASSY(H)	
2	-----	COVER, TOP	
4	-----	BKT, CHAS REAR	
5	36A04141K02	KNOB, SLIDE	
6	14S70565Y45	INS, CVR 43X7XT0.1	
7	03S60825Y04	SCR, B-T 3X8 ZN A	
8	14S31545Y84	INS, CVR 66X8XT0.05	
9	09T84840F01	LUG, STYLE 18MM	
10	TU-02038Z01	MB4A002C SHA(TU001)	
12	15-01847Z01	CASE, LCD ASSY	
13	15B01794K01	COVER, LCD	
14	26A01795K01	REFLECTOR, SHEET	
15	75T03213K03	RUBBER, ELECTRIC	
16	-----	HEAT, SINK	
17	13-01843Z01	NOSE, BOTTOM(H)	
18	03S68555F20	SCR, WAVE M1.7X5	
19	41A04158K01	SPRING, KNOB	
20	36-01851Z01	KNOB, ROTARY ASSY	
21	36-01835Z01	KNOB, HOLDER	
22	36-01838Z01	KNOB, PRESET	
23	36-01839Z01	KNOB, PRESET BASE	
24	14S31545Y82	INS, CVR 101X6.5XT0.25	
25	40-02172Z02	ASSY, SMK010001B	
26	14S70565Y66	INS, CVR 11X6XT0.05	
27	03S60822Y12	SCR, S-T 2.6X6 ZN A	
28	03S60822Y22	SCR, S-T 2.6X14 ZN A	
29	33C04102K01	FACE, PLATE	
30	03S60825Y09	SCR, B-T 3X6 ZN A	
31	03S60822Y10	SCR, S-T 2.6X5 ZN A	
33	03-00712Z27	SCR, MCH 1.7X3 ZBNA	
34	15-01971Z01	COVER, IC	
35	13-02129Z01	NOSE, BASE ASSY	
36	13-01845Z01	NOSE, BASE COVER	
37	14-02192Z01	INSULATOR, MAIN	
38	03S60822Y19	SCR, S-T 2.6X10 ZN A	
39	03T25225Y01	SCR, GND	
42	-----	BKT, MECH	
43	03S60822Y12	SCR, S-T 2.6X6 ZN A	
44	30T03013K12	SMCD-22X103-BDX6(BL)	
45	DP-01886Z01	DP23S8DA	
#1	46	66-02424Z41	ASSY, NOSE UNITE MFAL406A
\$1	46	66-02424Z42	ASSY, NOSE UNITE MFAP406A
%1	46	66-02424Z43	ASSY, NOSE UNITE MFAP411A
	101	-----	CHAS, RIV BASE
	102	07-02022Z01	BKT, RIV SLIDER
	103	07-02025Z01	BKT, RIV BASE L
	104	07-02023Z02	BKT, RIV ARM L
	105	07-02023Z01	BKT, RIV ARM R

106	41-01976Z01	SPRING,WORM
107	41-01972Z01	SPRING,SLIDER
108	44A01840K01	GEAR,WORM
109	44-01975Z01	GEAR,DRIVE
110	44-01974Z01	GEAR,SLIDER
111	44-00953Z01	GEAR,CLUTCH ASSY
112	43-01453Z01	BUSH,SLIDER LOW
113	43-01453Z03	BUSH,SLIDER REAR
114	43-01453Z04	BUSH,SLIDER CENTER
115	43-01973Z01	BUSH,ARM
118	03A20851Y02	SCR,SLIDER
119	03S68259F23	SCR,P-LOCK M2X3
120	03S94385F13	SCR,NYLOK M2.6X3
121	03S60820Y18	SCR,MCH 2X3.5 ZNSA
122	04B41345P54	WASHER,LOCK
123	04B41345P23	WASH,1.7X5X0.35
124	43-01453Z02	BUSH,SLIDER UP
125	07-02024Z01	BKT,RIV BASE R
126	01C01750K03	ASSY,BKT F BASE

Exploded View (CD Deck Mechanism)

(DP23S8DA)



CD Deck Mechanism Assembly Parts List

NOTE : The part that has not PART NUMBER will not be supplied.

1	01V74100Y62	ASSY,ARM GUIDE 8B0
2	-----	CHAS, TOP
3	45B11564Y08	LEVER, LINK TOP
4	45B11595Y02	LEVER, DISC(R)
5	45B11596Y02	LEVER, DISC(L)
6	41B11613Y16	SPRING, PULL
7	15D70687Y02	GUIDE, TOP-DPS3
9	07C40522Y02	BKT, MOTOR LOAD
10	03S60821Y02	SCR, WAS 2X4 ZN A
11	44B11578Y02	GEAR, (A)
12	44B11579Y02	GEAR, (B)
13	44B11580Y02	GEAR, (C)
14	45A70140Y02	LEVER, LOCK R
15	41A70201Y01	SPRING, LOCK
19	27D11602Y06	CHASSIS, PICKUP
20	47A11575Y08	SHAFT, PICK
21	01V28100Y59	ASSY, SHAFT. SCREW
22	44A70590W03	GEAR, MIDDLE
23	03S60820Y05	SCR, MCH 1.7X3.5 ZN A
24	07B30337Y02	BKT, SPRING NUT
25	41A11606Y08	SPRING NUT
26	03S94385F18	SCR, NYLOK M2X3.5
27	84T01803K01	PANEL, FPC CONT
28	41B11566Y08	SPRING, SHAFT
29	03S70693Y06	SCR, P-T 2X6 ZB A
30	-----	ASSY, RIV. ARM CLAMP
31	-----	LEVER, LOCK
32	07A70119Y08	BKT, CLAMPER
33	03A60837Y01	SCR, CUS 2X3.5 ZN A
34	43A70141Y02	TABLE, CLAMPER
36	-----	SLIDER DISC
37	45A11599Y02	LEVER, ACTUATOR
38	41B11613Y03	SPRING, PULL
39	41B11613Y05	SPRING, LEV-ACT
40	41A11609Y01	SPRING, LEVER
41	41A70118Y08	SPG, LEVER
42	41B11613Y15	SPRING, PULL
43	41A11040Y08	SPRING, SLED-HOE
44	03S70693Y12	SCR, P-T 1.4X4.5 ZB A
45	43A21240Y01	SHEET, FPC PICK
46	-----	ASSY, RIV. CHAS BASE
47	45B40510Y08	SLIDER, LOAD
48	44B40527Y02	RACK
49	45A11601Y02	LEVER, TRIGER
50	44B11581Y02	GEAR, (D)
51	45B11594Y02	SLIDER, LOCK(L)
52	45A11592Y02	ARM, LOCK(L2)
53	03-02091Z01	SCR, S-T 2X3 ZN A
54	45B11591Y02	ARM, LOCK(L1)
55	07A11585Y02	BKT, MOTOR WIRE
56	45B70139Y02	SLIDER, LOCK R
57	45B70176Y02	ARM, LOCK R

58	45A11597Y02	LEVER,SW
59	41B11613Y04	SPRING,TRIGER
60	75-01243Z01	DAMPER,DPS3
61	41B11613Y06	SPRING,PULL
62	41B11613Y07	SPRING,PULL
63	41B11613Y08	SPRING,PULL
64	41A40518Y01	SPRING,ROL
65	41A31894Y02	SPRING,SLIDER
66	-----	BKT,SP-TOP
67	03A60837Y01	SCR,CUS 2X3.5 ZN A
68	07B20905Y02	BKT,FPC CONT
69	30T15126W15	WIRE,PC JOINT 7P
71	14A60693Y01	INS,CVR
72	41A21613Y02	SPRING,SPINDLE
73	43A31443Y21	ROLLER,ARM DISC (C)
74	41B11613Y14	SPLING,PULL
75	75-01243Z02	DAMPER,DPS3
76	04B41345P52	WASH,1.6X3.5X0.25
77	44B40523Y02	GEAR,BASE
78	04A40528Y01	WASHER,FELT
79	44A40524Y02	GEAR,CLUTCH
80	41A40529Y01	SPRING,CLUTCH
81	44A40525Y02	GEAR,PINION
82	15A40526Y02	HOLDER,CLUTCH
83	04B41345P25	WASH,L. 3.1X6X0.35
84	43A41446Y02	SLEEVE,CLUTCH
86	03S60822Y43	SCR,S-T 2X3 ZN A
89	75A70233Y02	CUSHION,2F0