

pin 79: NU : O : Not in use.
 pin 80: NU : O : Not in use.
 pin 81: NU : O : Not in use.
 pin 82: NU : O : Not in use.
 pin 83: SEL 1 : IN: L = 9kHz, H = 10kHz.
 pin 84: SEL 2 : IN: Refer Table 1.
 pin 85: SEL 3 : IN: Refer Table 1.
 pin 86: SEL 4 : IN: L = Without EQ.
 pin 87: POWER SW : IN: Power switch ON signal input.
 pin 88: NU : - : Not in use.
 pin 89: CD EJECT : IN: CD eject switch signal input.
 pin 90: NU : O : Not in use.
 pin 91: NU : O : Not in use.
 pin 92: NU : O : Not in use.
 pin 93: S REMOCON : IN: Steering wheel remote controller input.

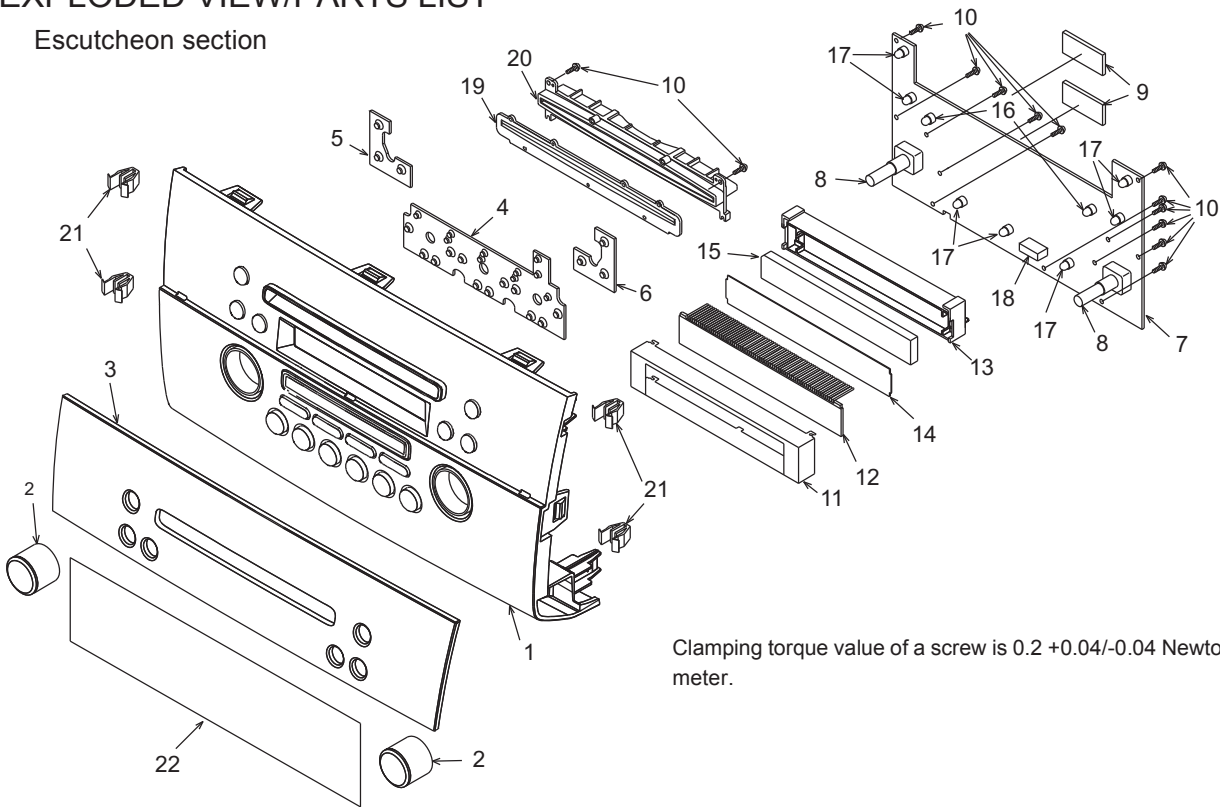
pin 94: A VSS : - : Analog ground.
 pin 95: AUX/TEL ON : IN: AUX/TEL ON signal input.
 pin 96: Vref : - : Reference voltage.
 pin 97: A VCC : - : Positive voltage supply for the internal analog section.
 pin 98: SD/ST : IN: At receiving the FM station, this port detects the stereo signal. At seeking or scanning, this port detects the station detection signal.
 pin 99: NU : O : Not in use.
 pin100: PLL DI : IN: PLL serial data input.

Table 1.

	ESCUDO	SX4	SWIFT	---
SEL 2 (pin 84)	L	L	H	H
SEL 3 (pin 85)	L	H	L	H

EXPLODED VIEW/PARTS LIST

Escutcheon section

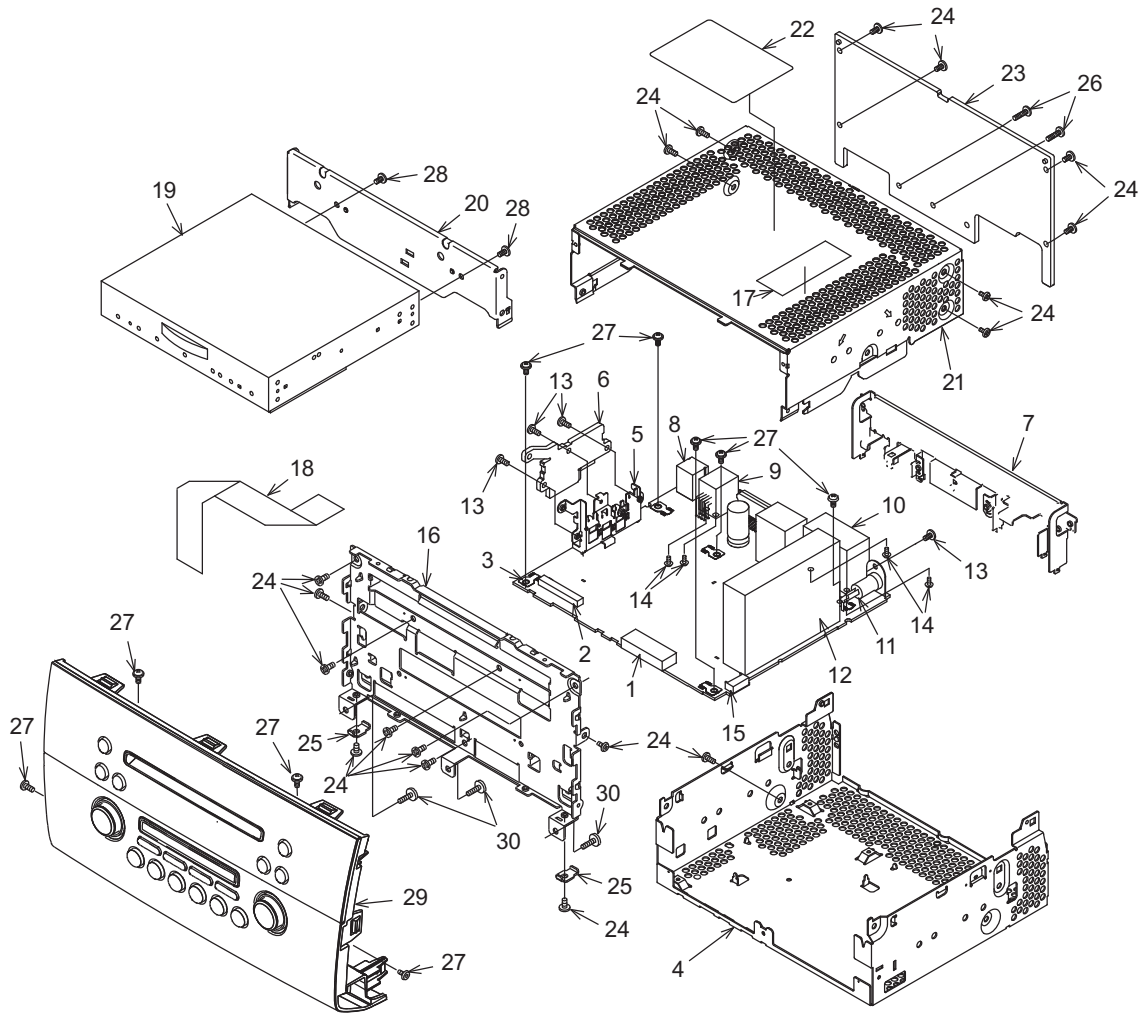


Clamping torque value of a screw is 0.2 +0.04/-0.04 Newton meter.

Note)Some parts depend on each model.The model name is specified in the description .
 (N-A; PS-3021N-A,PS-3022N-A; N-B; PS-3021N-B,PS-3022N-B)

NO.	PART NO.	DESCRIPTION	Q'TY	NO.	PART NO.	DESCRIPTION	Q'TY
1	940-8179-30	ESCUTCHEON ASSY	1	11	331-3883-00	LCD COVER	1
2	380-5610-00	KNOB	2	12	379-1362-51	INDICATOR (LCD)	1
3	373-1041-70 373-1096-50	DIAL COVER(N-A) DARK METALLIC DIAL COVER(N-B) SILVER HAIRLINE	1	13	335-7917-00	LCD HOLDER	1
4	345-5782-01	RUBBER SW (CENTER)	1	14	335-7322-20	COLOR FILTER	1
5	345-5783-00	RUBBER SW (LEFT)	1	15	335-7323-20	LCD ILLUMI	1
6	345-5784-00	RUBBER SW (RIGHT)	1	16	017-0429-26	PL LAMP (8V 105mA AMBER)	2
7	-----	Switch PWB	1	17	017-0420-35	PL LAMP (14V 40mA ORANGE)	7
8	016-0018-17	VR W/SHAFT	2	18	074-3013-74	OUTLETSOCKET	1
9	345-8639-01	PROTECTOR	2	19	346-0206-00	LATHER SHEET	1
10	716-0778-51	P-TITE SCREW (2x6)	13	20	335-7292-01	DISC GUIDE	1
				21	335-7321-00	CLIP	4
				22	347-7477-00	PROTECTOR	1

Main section

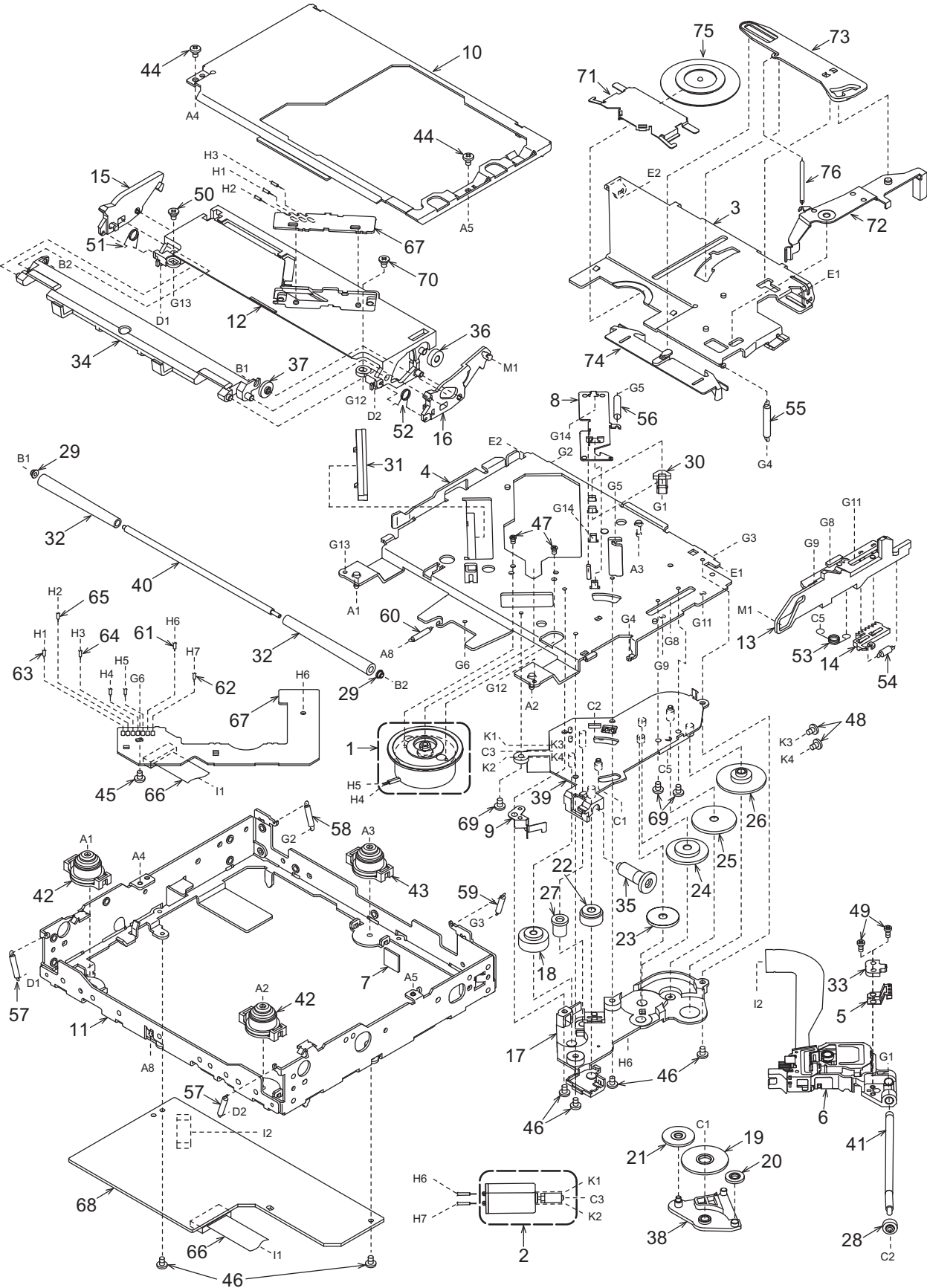


Clamping torque value of No.30 screw is 0.6 +0.1/-0.1 Newton meter.
And other screw is 0.4 +0.08/-0.08 Newton meter.

Note)Some parts depend on each model.The model name is specified in the description .
(1N-A;PS-3021D-A, 1N-B;PS-3021N-B, 2N-A;PS-3022N-A , 2N-B;PS-3022N-B)

NO.	PART NO.	DESCRIPTION	Q'TY	NO.	PART NO.	DESCRIPTION	Q'TY
1	076-0662-74	PLUG(26P)	1	17	285-1960-00	GUIDE LABEL	1
2	074-1237-70	OUTLET SOCKET	1	18	816-4030-50	FLAT WIRE	1
3	073-0762-90	TERMINAL	5	19	929-5005-80	CD-MECH-MODULE	1
4	311-1919-30	LOWER CASE	1	20	331-4123-00	CD BRKT	1
5	331-4126-00	TR HOLDER	1	21	310-1826-50	UPPER CASE	1
6	313-1966-00	SUB HEAT SINK	1	22	276-0273-05 276-0273-06 276-0273-07 276-0273-08	SETPLATE (1N-A) SETPLATE (1N-B) SETPLATE (2N-A) SETPLATE (2N-B)	1
7	331-4127-00	REAR PLATE	1	23	313-1962-00	HEAT SINK	1
8	074-1194-00	OUTLET SOCKET	1	24	714-2606-8B	MACHINE SCREW(M2.6x6)	18
9	074-1302-08	OUTLET SOCKET	1	25	331-4193-20	SU-PLATE	2
10	074-4007-20	OUTLET SOCKET	1	26	714-2610-89	MACHINE SCREW(M2.6x10)	2
11	092-0702-00	ANT-RECEPT	1	27	716-0878-50	IT SCREW(M2.6x5)	9
12	941-0221-70	TUNER PACK	2	28	714-2603-8B	MACHINE SCREW(M2.6x3)	2
13	714-2606-8B	MACHINE SCREW(M2.6x6)	4	29	-----	ESCUTCHEON SECTION Refer to page 5	1
14	778-3006-00	TAP-SCREW(3x6)	4	30	716-1553-50	P-TIGHT SCREW(3x8)	3
15	076-0717-09	PLUG	1				
16	309-0839-01	ES PLATE	1				

CD mechanism section:(929-5005-80)



NO.	PART NO.	DESCRIPTION	Q'TY	NO.	PART NO.	DESCRIPTION	Q'TY
1	SMA-182-100	SPD-MOTOR-ASSY	1	39	621-1754-20	GEAR BASE	1
2	SMA-183-100	POW-MOTOR-ASSY	1	40	622-1571-21	ROLLER SHAFT	1
3	620-1596-23	CLAMPER LINK	1	41	624-0020-00	LEAD SCREW	1
4	966-1743-21	DRIVE-PLT-ASSY	1	42	629-0086-20	DAMPER F	2
5	966-1722-20	SH-RACK-ASSY	1	43	629-0087-20	DAMPER R	1
6	969-0071-30	PICKUP-ASSY	1	44	714-2003-8B	MACHIN SCREW(M2x3)	2
7	345-5476-20	CUSHION RUBBER	1	45	716-1507-01	SCREW(M2x3)	1
8	620-1753-20	ID-LOCK PLATE	1	46	716-1670-01	SCREW(M2x4)	6
9	620-1026-21	SPRING PLATE	1	47	716-1733-01	SCREW(M1.7x2.3)	2
10	620-1598-22	UPPER CHASSIS	1	48	716-3551-00	SCREW(M1.4x2.5)	2
11	620-1766-20	LOWER CHASSIS-W	1	49	716-3469-01	SCREW(phi1.7x4)	2
12	621-1742-20	UPPER GUIDE	1	50	716-3473-01	SCREW(M2x3)	1
13	621-1743-20	SHIFT LEVER	1	51	750-6797-20	ROLLER SPRING L	1
14	621-1744-20	RACK	1	52	750-6798-20	ROLLER SPRING R	1
15	621-1745-20	LOCK ARM L	1	53	750-7865-20	SHIFT SPRING	1
16	621-1746-20	LOCK ARM R	1	54	750-7866-20	RACK SPRING	1
17	621-1747-20	GEAR COVER	1	55	750-7867-20	CLAMPER SPRING	1
18	621-0608-21	SECOND GEAR	1	56	750-7868-20	ID-LOCK SPRING	1
19	621-0609-20	BASE GEAR	1	57	750-7870-20	DR-SPRING F	2
20	621-0610-20	IDLE GEAR A	1	58	750-7871-20	DR-SPRING RA	1
21	621-0611-20	IDLE GEAR B	1	59	750-7872-20	DR-SPRING RB	1
22	621-0612-21	ROLLER GEAR A	1	60	750-7873-20	DR-SPRING C	1
23	621-1748-20	POWER GEAR A	1	61	803-4906-60	VINYL-COAT-WIRE(ORG)	1
24	621-1749-20	POWER GEAR B	1	62	816-2590-00	LEAD(GRN)	1
25	621-1750-20	POWER GEAR C	1	63	816-2591-00	LEAD(YEL)	1
26	621-1751-20	POWER GEAR D	1	64	816-2592-00	LEAD(BLU)	1
27	621-0620-20	THREAD GEAR A	1	65	816-2593-00	LEAD(PUR)	1
28	621-0621-20	THREAD GEAR B	1	66	816-2624-50	FLAT WIRE	1
29	621-1726-20	ROLLER SLEEVE	2	67	-----	SENSOR PWB	1
30	621-0623-23	LS-HOLDER	1	68	-----	CD PWB	1
31	621-0624-22	GUIDE RAIL	1	69	780-2025-00	SCREW(M2.0x2.5)	3
32	621-0711-21	LOADING ROLLER	2	70	781-1730-00	SCREW(M1.7x3.0)	1
33	621-1729-20	SH-BASE	1	71	620-1023-23	CLAMPER PLATE	1
34	621-0718-21	ROLLER GUIDE	1	72	620-1752-20	SENSOR ARM	1
35	621-0719-20	ROLLER GEAR	1	73	621-0728-20	STOPPER LINK	1
36	621-0720-20	ROLLER GEAR C	1	74	621-1752-20	DISC STOPPER	1
37	621-0721-20	ROLLER GEAR D	1	75	621-1753-20	CLAMPER RING	1
38	621-1719-20	IDLE CASE	1	76	750-7869-20	SENSOR SPRING	1

ELECTRICAL PARTS LIST

Main PWB section (B1)

Note) Several different parts of the same reference number are alternative parts.

One of those parts is used in the set.

Note) Some parts depend on each model. The model name is specified in the description .

(PS3021N;PS-3021N-A,B, PS3022N;PS-3022N-A,B)

REF No.	PART No.	DESCRIPTION	REF No.	PART No.	DESCRIPTION	REF No.	PART No.	DESCRIPTION
ANT102	092-0702-00	ANT RECEPT	C397	042-1624-00	16V 4700uF	D771	001-0347-39	MA4068H
BL101	941-0221-70	TUNER PACK	C398	163-1063-35	16V 10uF	D772	001-0347-36	MA4062H
C103	168-2232-55	0.022uF K	C399	163-1053-65	50V 1uF	D801	001-0592-00	RM4Z
C104	188-1073-28	10V 100uF	C400	166-2201-50	22pF CH	D851	001-4301-68	HZU18B1
C105	168-1042-78	16V 0.1uF	C401	166-3911-50	390pF CH	IC121	051-6212-18	LC72191JM-UC
C106	168-1042-78	16V 0.1uF	C402	043-0570-90	16V 2.2uF K	IC271	051-3333-00	NJM2396F05
C107	188-1073-28	10V 100uF	C403	168-5632-78	16V 0.056uF	IC272	051-3366-00	NJM2396F08
C108	168-1042-78	16V 0.1uF	C404	043-0570-90	16V 2.2uF K	IC351	051-3034-90	NJM4558V
C109	168-2232-55	0.022uF K	C405	188-1063-38	16V 10uF	IC401	051-5046-90	CL7639V20
C111	168-3332-78	0.033uF K	C406	188-1073-28	10V 100uF	IC391	051-2040-00	TA8276H
C112	168-4745-79	0.47uF Z	C407	168-1042-78	16V 0.1uF	IC501	052-3211-32	M30622MGP-E31GP
C113	168-8232-78	0.082uF K	C408	166-3911-50	390pF CH	IC502	051-0869-58	NJM2103M
C114	168-8232-78	0.082uF K	C409	043-0570-90	16V 2.2uF K	IC503	051-9400-29	BR93L46F-W
C121	166-1801-50	18pF CH	C410	168-5632-78	16V 0.056uF	IC504	051-6600-58	HA12187FP
C122	188-4763-38	16V 47uF	C411	043-0570-90	16V 2.2uF K	IC741	051-3369-00	NJM2388F84
C123	168-1022-55	1000pF K	C412	168-1042-78	16V 0.1uF	J231	074-1237-70	20P
C124	042-1458-90	50V 1uF LN	C417	178-4742-78	0.47uF	J701	074-1194-00	13P CE-NET
C125	166-1501-50	15pF CH	C418	168-4722-55	4700pF K	J721	074-1302-08	8P
C126	166-1011-50	100pF CH	C419	178-4742-78	0.47uF	J801	074-4007-20	SOCKET(20P)
C127	166-1011-50	100pF CH	C420	168-4722-55	4700pF K	L101	010-2003-04	30uH
C128	166-1011-50	100pF CH	C421	178-4742-78	0.47uF	L102	010-6009-76	22uH J
C129	166-1011-50	100pF CH	C422	168-4722-55	4700pF K	L103	010-6009-76	22uH J
C130	168-2232-55	0.022uF K	C423	178-4742-78	0.47uF	L121	010-6009-76	22uH J
C131	188-4763-38	16V 47uF	C424	168-4722-55	4700pF K	L231	010-6009-76	22uH J
C132	166-1811-50	180pF CH	C501	168-1042-78	16V 0.1uF	L501	010-6009-76	22uH J
C133	168-1042-78	16V 0.1uF	C502	188-4763-18	6.3V 47uF	L502	010-6009-76	22uH J
C160	168-1042-78	16V 0.1uF	C503	168-1032-55	0.01uF K	L801	010-8026-00	210uH
C212	188-4763-38	16V 47uF	C504	168-1032-55	0.01uF K	P501	076-3011-74	24P PLUG
C231	168-1042-78	16V 0.1uF	C505	168-1032-55	0.01uF K	P503	076-0717-09	9P
C232	188-4763-18	6.3V 47uF	C506	168-1042-78	16V 0.1uF	Q121	191-1197-50	2SB1197K Q,R
C233	168-1042-78	16V 0.1uF	C507	188-1053-68	50V 1uF	Q122	191-1197-50	2SB1197K Q,R
C234	168-2232-55	0.022uF K	C509	168-1022-55	1000pF K	Q123	191-1197-50	2SB1197K Q,R
C271	189-4773-19	6.3V 470uF	C510	168-1022-55	1000pF K	Q124	192-4155-51	2SC4155A S,T
C273	043-0328-90	0.1uF	C511	168-1042-78	16V 0.1uF	Q125	192-4155-51	2SC4155A S,T
C274	189-2273-29	10V 220uF	C512	168-1032-55	0.01uF K	Q391	125-2041-92	RT1N141M
C276	043-0328-90	0.1uF	C513	189-1073-29	10V 100uF	Q392	192-4155-51	2SC4155A S,T
C301	178-1052-78	1uF	C514	168-1042-78	16V 0.1uF	Q502	190-2071-00	2SA2071 T100
C302	178-1052-78	1uF	C515	166-1011-50	100pF CH	Q503	192-4155-51	2SC4155A S,T
C305	178-1052-78	1uF	C516	188-1063-38	16V 10uF	Q504	192-4155-51	2SC4155A S,T
C306	178-1052-78	1uF	C517	042-0559-00	5.5V 0.1F	Q505	192-4155-51	2SC4155A S,T
C309	168-1832-55	0.018uF K	C722	168-1042-78	16V 0.1uF	Q506	193-2118-50	2SD2118F5 R,S
C310	168-1832-55	0.018uF K	C731	172-1041-15	0.1uF	Q701	192-4155-51	2SC4155A S,T
C311	188-2253-68	50V 2.2uF	C732	188-1053-68	50V 1uF	Q711	190-2071-00	2SA2071 T100
C312	188-2253-68	50V 2.2uF	C741	043-0328-90	0.1uF	Q712	192-4155-51	2SC4155A S,T
C313	188-2253-68	50V 2.2uF	C744	188-1073-28	10V 100uF	Q761	192-5810-00	2SC5810 TE12L
C314	188-2253-68	50V 2.2uF	C761	188-1063-38	16V 10uF	Q762	125-0034-92	RT1P141M
C318	168-1522-55	1500pF K	C762	188-1063-38	16V 10uF	Q763	125-2041-92	RT1N141M
C319	168-1522-55	1500pF K	C771	188-1073-28	10V 100uF	Q771	192-5886-00	2SC5886
C334	166-4711-50	470pF CH	C772	188-1063-38	16V 10uF	Q773	192-4155-51	2SC4155A S,T
C335	166-4711-50	470pF CH	C811	172-1041-15	0.1uF	Q776	125-0034-92	RT1P141M
C346	188-1073-28	10V 100uF	C821	188-1063-38	16V 10uF	Q777	125-2041-92	RT1N141M
C352	168-1042-78	16V 0.1uF	CCT501	050-0140-54	1/32W 1k ohm x4J	Q821	190-2071-00	2SA2071 T100
C353	042-1562-15	10V 220uF	CCT504	050-0140-54	1/32W 1k ohm x4J	Q822	192-4155-51	2SC4155A S,T
C354	166-2201-50	22pF CH	CCT505	050-0140-54	1/32W 1k ohm x4J	R101	119-0000-05	1/10W 0 ohm JW
C355	166-2201-50	22pF CH	D391	001-0580-90	1SS352	R102	119-0000-05	1/10W 0 ohm JW
C356	166-1007-50	10pF CH	D505	001-0580-90	1SS352	R103	119-1041-15	1/10W 100k ohm
C357	166-1007-50	10pF CH	D506	001-2403-90	M1F60	R104	119-2221-15	1/10W 2.2k ohm
C358	188-1063-38	16V 10uF	D507	001-4301-25	HZU4.7B1	R105	119-5611-15	1/10W 560 ohm
C359	188-1063-38	16V 10uF	D508	001-0466-90	S5688B	R106	119-2221-15	1/10W 2.2k ohm
C360	188-1063-38	16V 10uF	D509	001-0504-36	HZS7A1L	R107	116-1001-15	1/4W 10 ohm
C361	188-1063-38	16V 10uF	D701	001-0424-31	MA4180	R108	119-2231-15	1/10W 22k ohm
C391	168-1042-78	16V 0.1uF	D702	001-0424-31	MA4180	R109	119-5121-15	1/10W 5.1k ohm
C392	168-1042-78	16V 0.1uF	D703	001-0424-31	MA4180	R111	166-8201-50	82pF CH
C393	168-1042-78	16V 0.1uF	D711	001-0466-90	S5688B	R122	119-3321-15	1/10W 3.3k ohm
C394	168-1042-78	16V 0.1uF	D712	001-0466-90	S5688B	R123	119-4721-15	1/10W 4.7k ohm
C395	168-1032-55	0.01uF K	D731	001-0466-90	S5688B	R124	119-2221-15	1/10W 2.2k ohm
C396	163-1053-65	50V 1uF	D761	001-0504-39	HZS7 B2L	R125	119-1021-15	1/10W 1k ohm

REF No.	PART No.	DESCRIPTION	REF No.	PART No.	DESCRIPTION	REF No.	PART No.	DESCRIPTION
R127	119-5631-15	1/10W 56k ohm	R511	119-4721-15	1/10W 4.7k ohm	R574	119-4731-15	1/10W 47k ohm
R128	119-4731-15	1/10W 47k ohm	R512	119-4721-15	1/10W 4.7k ohm			(PS3021N)
R130	119-2221-15	1/10W 2.2k ohm	R513	119-4721-15	1/10W 4.7k ohm	R576	119-0000-05	1/10W 0 ohm JW
R131	119-1031-15	1/10W 10k ohm	R514	119-1021-15	1/10W 1k ohm	R701	116-1211-15	1/4W 120 ohm
R132	119-1031-15	1/10W 10k ohm	R515	119-1041-15	1/10W 100k ohm	R702	116-6801-15	1/4W 68 ohm
R133	119-2221-15	1/10W 2.2k ohm	R516	119-1041-15	1/10W 100k ohm	R703	119-2231-15	1/10W 22k ohm
R134	119-2221-15	1/10W 2.2k ohm	R517	116-1001-15	1/4W 10 ohm	R704	119-2231-15	1/10W 22k ohm
R135	119-1031-15	1/10W 10k ohm	R520	119-4731-15	1/10W 47k ohm	R711	116-2221-15	1/4W 2.2k ohm
R271	119-4731-15	1/10W 47k ohm	R522	119-4731-15	1/10W 47k ohm	R712	117-1031-15	1/8W 10k ohm
R274	119-0000-05	1/10W 0 ohm JW	R527	119-4721-15	1/10W 4.7k ohm	R713	116-2221-15	1/4W 2.2k ohm
R301	119-1021-15	1/10W 1k ohm	R528	032-0140-66	1/10W 220 ohm F	R714	119-1031-15	1/10W 10k ohm
R302	119-1021-15	1/10W 1k ohm	R529	119-1031-15	1/10W 10k ohm	R715	119-3321-15	1/10W 3.3k ohm
R305	119-1021-15	1/10W 1k ohm	R530	119-1041-15	1/10W 100k ohm	R726	119-1021-15	1/10W 1k ohm
R306	119-1021-15	1/10W 1k ohm	R531	119-1031-15	1/10W 10k ohm	R731	116-5621-15	1/4W 5.6k ohm
R309	119-1021-15	1/10W 1k ohm	R532	119-4721-15	1/10W 4.7k ohm	R732	116-4721-15	1/4W 4.7k ohm
R310	119-1021-15	1/10W 1k ohm	R533	119-4721-15	1/10W 4.7k ohm	R761	032-0092-56	1/8W 22k ohm F
R311	119-5631-15	1/10W 56k ohm	R534	119-1021-15	1/10W 1k ohm	R762	119-1541-15	1/10W 150k ohm
R312	119-5631-15	1/10W 56k ohm	R535	119-1031-15	1/10W 10k ohm	R763	032-0092-51	1/8W 1k ohm F
R313	119-5631-15	1/10W 56k ohm	R536	119-2221-15	1/10W 2.2k ohm	R764	119-1221-15	1/10W 1.2k ohm
R314	119-5631-15	1/10W 56k ohm	R537	119-1031-15	1/10W 10k ohm	R771	119-0000-05	1/10W 0 ohm JW
R323	119-0000-05	1/10W 0 ohm JW	R538	119-1031-15	1/10W 10k ohm	R772	119-2231-15	1/10W 22k ohm
R324	119-0000-05	1/10W 0 ohm JW	R539	119-1031-15	1/10W 10k ohm	R773	116-1021-15	1/4W 1k ohm
R325	119-0000-05	1/10W 0 ohm JW	R540	119-4731-15	1/10W 47k ohm	R774	119-2231-15	1/10W 22k ohm
R326	119-0000-05	1/10W 0 ohm JW	R541	119-5621-15	1/10W 5.6k ohm	R781	119-0000-05	1/10W 0 ohm JW
R351	119-8211-15	1/10W 820 ohm	R542	119-2231-15	1/10W 22k ohm	R782	119-0000-05	1/10W 0 ohm JW
R352	119-1021-15	1/10W 1k ohm	R544	119-4731-15	1/10W 47k ohm	R793	119-0000-05	1/10W 0 ohm JW
R353	032-0140-50	1/10W 10k ohm F	R545	119-6831-15	1/10W 68k ohm	R801	119-0000-05	1/10W 0 ohm JW
R354	032-0140-50	1/10W 10k ohm F	R546	119-1021-15	1/10W 1k ohm	R802	119-0000-05	1/10W 0 ohm JW
R355	032-0140-50	1/10W 10k ohm F	R547	119-1021-15	1/10W 1k ohm	R821	116-1031-15	1/4W 10k ohm
R356	032-0140-50	1/10W 10k ohm F	R548	119-1031-15	1/10W 10k ohm	R822	119-3321-15	1/10W 3.3k ohm
R357	032-0140-50	1/10W 10k ohm F	R549	119-3341-15	1/10W 330k ohm	R823	119-1031-15	1/10W 10k ohm
R358	032-0140-50	1/10W 10k ohm F	R550	032-0140-22	1/10W 68k ohm F	R824	116-2221-15	1/4W 2.2k ohm
R359	032-0140-50	1/10W 10k ohm F	R551	032-0140-00	1/10W 56k ohm F	R825	116-2221-15	1/4W 2.2k ohm
R360	032-0140-50	1/10W 10k ohm F	R552	117-6821-15	1/8W 6.8k ohm	R826	119-8221-15	1/10W 8.2k ohm
R391	119-5631-15	1/10W 56k ohm	R553	119-4731-15	1/10W 47k ohm	R902	119-0000-05	1/10W 0 ohm JW
R392	119-1221-15	1/10W 1.2k ohm	R554	119-4731-15	1/10W 47k ohm	R903	119-0000-05	1/10W 0 ohm JW
R393	119-2221-15	1/10W 2.2k ohm	R555	119-5621-15	1/10W 5.6k ohm	R904	119-0000-05	1/10W 0 ohm JW
R394	119-2221-15	1/10W 2.2k ohm	R556	119-1021-15	1/10W 1k ohm			(PS3021N)
R395	119-2221-15	1/10W 2.2k ohm	R557	119-4731-15	1/10W 47k ohm	R905	119-0000-05	1/10W 0 ohm JW
R396	119-2221-15	1/10W 2.2k ohm	R558	119-1031-15	1/10W 10k ohm			(PS3022N)
R397	119-1031-15	1/10W 10k ohm	R559	119-1021-15	1/10W 1k ohm	SUP101	060-0122-20	DSP-141N-SOQB
R398	119-4731-15	1/10W 47k ohm	R560	119-1021-15	1/10W 1k ohm	TH711	002-0318-21	THERMISTOR
R399	119-4731-15	1/10W 47k ohm	R561	119-1021-15	1/10W 1k ohm	TM101	073-0762-90	TERMINAL
R400	119-1031-15	1/10W 10k ohm	R562	119-1021-15	1/10W 1k ohm	TM501	073-0762-90	TERMINAL
R401	119-2731-15	1/10W 27k ohm	R563	119-0000-05	1/10W 0 ohm JW	TM502	073-0762-90	TERMINAL
R402	119-2021-15	1/10W 2k ohm	R564	119-1021-15	1/10W 1k ohm	TM801	073-0762-90	TERMINAL
R403	119-2731-15	1/10W 27k ohm	R566	119-1021-15	1/10W 1k ohm	TM802	073-0762-90	TERMINAL
R404	119-2021-15	1/10W 2k ohm	R568	119-4731-15	1/10W 47k ohm	X121	061-1066-00	702MHz
R405	119-0000-05	1/10W 0 ohm JW	R570	119-4731-15	1/10W 47k ohm	X501	060-1533-90	CSTCE10M0G52-RO
R502	119-4721-15	1/10W 4.7k ohm	R571	119-4731-15	1/10W 47k ohm	PWB	039-3099-00	PWB(WITHOUT COMPONENT)
R504	119-4721-15	1/10W 4.7k ohm	R573	119-4731-15	1/10W 47k ohm			
R510	119-4721-15	1/10W 4.7k ohm			(PS3022N)			

Switch PWB section (B2)

REF No.	PART No.	DESCRIPTION	REF No.	PART No.	DESCRIPTION	REF No.	PART No.	DESCRIPTION
C901	168-1042-78	16V 0.1uF	PL902	017-0420-35	14V 40mA ORANGE	R916	119-0000-05	1/10W 0 ohm JW
C902	168-1042-78	16V 0.1uF	PL903	017-0420-35	14V 40mA ORANGE	R918	119-4341-15	1/10W 430k ohm
C903	168-1042-78	16V 0.1uF	PL904	017-0420-35	14V 40mA ORANGE	R919	119-1021-15	1/10W 1k ohm
C904	168-1042-78	16V 0.1uF	PL905	017-0420-35	14V 40mA ORANGE	R920	119-1021-15	1/10W 1k ohm
C905	168-1042-78	16V 0.1uF	PL907	017-0420-35	14V 40mA ORANGE	R921	119-1841-15	1/10W 180k ohm
C906	178-1052-78	1uF	PL908	017-0420-35	14V 40mA ORANGE	R922	119-1841-15	1/10W 180k ohm
D901	001-0580-90	1SS352	PL909	017-0429-26	8V 105mA AMBER	R923	119-1841-15	1/10W 180k ohm
D902	001-0580-90	1SS352	PL910	017-0429-26	8V 105mA AMBER	R924	119-1841-15	1/10W 180k ohm
D903	001-0580-90	1SS352	R901	119-0000-05	1/10W 0 ohm JW	R940	119-0000-05	1/10W 0 ohm JW
D904	001-0580-90	1SS352	R902	119-0000-05	1/10W 0 ohm JW	TH901	002-0306-90	SC20-3J153
IC901	051-6084-00	NJU6625FG1-03	R907	119-0000-05	1/10W 0 ohm JW	VR901	016-0018-17	VR W/SHAFT
J901	074-3013-74	24P	R908	119-0000-05	1/10W 0 ohm JW	VR902	016-0018-17	VR W/SHAFT
L901	010-3406-66	22uH J	R909	119-0000-05	1/10W 0 ohm JW	PWB	039-2987-01	PWB(WITHOUT COMPONENT)
LCD901	379-1362-51	LCD	R910	119-0000-05	1/10W 0 ohm JW			
PL901	017-0420-35	14V 40mA ORANGE	R915	119-0000-05	1/10W 0 ohm JW			

CD PWB(B3) section

REF No.	PART No.	DESCRIPTION	REF No.	PART No.	DESCRIPTION	REF No.	PART No.	DESCRIPTION
C1	168-1042-78	16V 0.1uF	C134	168-1042-78	16V 0.1uF	R7	033-4731-15	1/10W 47k ohm
C4	168-1042-78	16V 0.1uF	C135	045-6801-50	50V 68pF	R8	033-1051-15	1/10W 1M ohm
C5	046-1032-78	0.01uF	C136	178-1052-78	1uF	R9	033-3311-15	1/10W 330 ohm
C9	046-4722-58	4700pF	C138	168-1042-78	16V 0.1uF	R12	033-4731-15	1/10W 47k ohm
C10	045-1011-50	100pF	C139	168-1042-78	16V 0.1uF	R13	033-1041-15	1/10W 100k ohm
C13	168-1042-78	16V 0.1uF	C140	046-6812-58	680pF	R14	033-4721-15	1/10W 4.7k ohm
C16	168-1042-78	16V 0.1uF	C142	178-1052-78	1uF	R15	033-4721-15	1/10W 4.7k ohm
C17	046-1032-78	0.01uF	C144	042-0560-85	6.3V 100uF	R16	033-1021-15	1/10W 1k ohm
C18	178-1052-78	1uF	C145	168-1042-78	16V 0.1uF	R17	033-1021-15	1/10W 1k ohm
C19	046-1032-78	0.01uF	C146	168-1042-78	16V 0.1uF	R19	033-4731-15	1/10W 47k ohm
C20	168-1042-78	16V 0.1uF	C147	178-1052-78	1uF	R20	033-4731-15	1/10W 47k ohm
C21	042-0595-53	4V220uF	C148	042-0595-53	4V220uF	R23	033-2211-15	1/10W 220 ohm
C22	168-1042-78	16V 0.1uF	C149	163-1073-35	16V100uF	R24	033-4731-15	1/10W 47k ohm
C23	168-1042-78	16V 0.1uF	C150	168-1042-78	16V 0.1uF	R28	033-6841-15	1/10W 680k ohm
C24	046-1032-78	0.01uF	C151	178-1052-78	1uF	R29	033-6841-15	1/10W 680k ohm
C25	045-8097-50	8pF	C200	178-1052-78	1uF	R30	033-1041-15	1/10W 100k ohm
C26	045-8097-50	8pF	CCT1	050-0145-54	1/16W 47k ohm x4	R31	033-1031-15	1/10W 10k ohm
C27	042-0416-52	10V10uF TAN	CCT2	050-0145-58	2.2k ohm x 4	R32	033-1031-15	1/10W 10k ohm
C28	046-1032-78	0.01uF	CCT3	050-0140-63	1/32W 47k ohm x4J	R33	033-1031-15	1/10W 10k ohm
C29	168-1042-78	16V 0.1uF	CCT101	050-0140-68	1/32W 3.3k ohm x4J	R34	033-6831-15	1/10W 68k ohm
C30	045-1201-50	12pF	D1	001-2610-90	RB480KTL	R35	033-6831-15	1/10W 68k ohm
C31	168-1042-78	16V 0.1uF	D2	001-2610-90	RB480KTL	R36	033-3311-15	1/10W 330 ohm
C32	046-1032-78	0.01uF	D3	001-2610-90	RB480KTL	R43	033-4731-15	1/10W 47k ohm
C33	046-1032-78	0.01uF	D4	001-2610-90	RB480KTL	R44	033-4731-15	1/10W 47k ohm
C34	046-1032-78	0.01uF	D5	001-2610-90	RB480KTL	R45	033-4731-15	1/10W 47k ohm
C35	046-1022-58	1000pF	D6	001-2610-90	RB480KTL	R101	033-1231-15	1/10W 12k ohm
C102	163-1073-35	16V100uF	D101	001-0367-91	1SS226	R102	033-3321-15	1/10W 3.3k ohm
C103	046-4722-58	4700pF	IC1	051-7518-18	SN74LVC139APWR	R103	033-3331-15	1/10W 33k ohm
C104	046-1032-78	0.01uF	IC2	051-3315-90	TPS76316DBVR	R104	033-4731-15	1/10W 47k ohm
C105	168-1042-78	16V 0.1uF	IC3	051-7239-38	SN74AHCT08PWR	R105	033-4731-15	1/10W 47k ohm
C106	168-1042-78	16V 0.1uF	IC5	051-5441-08	BD4828G-TR	R106	033-2211-15	1/10W 220 ohm
C107	042-0416-52	10V10uF TAN	IC6	051-6700-00	TMS320DA140	R107	033-2211-15	1/10W 220 ohm
C108	168-1042-78	16V 0.1uF	IC10	052-5055-34	MBM29DL800BA-90PFTN	R108	033-1021-15	1/10W 1k ohm
C109	168-1042-78	16V 0.1uF	IC11	051-6919-08	NJU6391PE	R109	033-1021-15	1/10W 1k ohm
C110	168-1042-78	16V 0.1uF	IC12	051-7221-58	SN74AHC1G04HDC	R110	033-4731-15	1/10W 47k ohm
C111	168-1042-78	16V 0.1uF			KR	R115	033-0000-05	1/10W 0 ohm
C112	168-4732-78	0.047uF	IC13	051-7280-38	TC7SU04FU-TE85L	R116	033-5621-15	1/10W 5.6k ohm
C113	168-4732-78	0.047uF	IC14	051-7280-38	TC7SU04FU-TE85L	R117	033-4731-15	1/10W 47k ohm
C114	168-1042-78	16V 0.1uF	IC101	051-6069-08	FAN8047G3	R118	033-3341-15	1/10W 330k ohm
C115	045-4701-50	47pF	IC102	051-6399-00	TC94A15F	R119	033-2231-15	1/10W 22k ohm
C116	046-4712-58	470pF	J1	074-1138-65	15P	R120	033-2231-15	1/10W 22k ohm
C117	046-4712-58	470pF	J2	074-1138-60	10P	R121	117-1001-15	1/10W 10 ohm
C118	168-1042-78	16V 0.1uF	J3	074-1237-70	20P	R122	033-2211-15	1/10W 220 ohm
C119	168-1042-78	16V 0.1uF	Q1	131-1188-50	2SB1188PQR	R123	117-6811-15	1/10W 680 ohm
C120	046-1532-78	0.015uF	Q2	125-2004-92	RN1402	R124	032-0162-50	1/10W 0.51 ohm
C121	046-6822-58	6800pF	Q101	131-1188-50	2SB1188PQR	R126	033-1021-15	1/10W 1k ohm
C122	168-1042-78	16V 0.1uF	Q102	131-1188-50	2SB1188PQR	R127	033-1021-15	1/10W 1k ohm
C123	046-1032-78	0.01uF	R1	033-4721-15	1/10W 4.7k ohm	R130	033-1051-15	1/10W 1M ohm
C126	046-3332-78	0.033uF	R2	033-1041-15	1/10W 100k ohm	TM101	073-0768-90	TERMINAL
C127	046-4722-58	4700pF	R3	033-1041-15	1/10W 100k ohm	X1	061-3534-90	16.92MHz
C130	168-1042-78	16V 0.1uF	R4	033-1031-15	1/10W 10k ohm	PWB	039-2429-21	PWB(WITHOUT COMPONENTS)
C131	046-1522-58	1500pF	R5	033-2231-15	1/10W 22k ohm			
C132	168-1042-78	16V 0.1uF	R6	033-3911-15	1/10W 390 ohm			
C133	046-1532-78	0.015uF						

Sensor PWB(B4) section

REF No.	PART No.	DESCRIPTION	REF No.	PART No.	DESCRIPTION	REF No.	PART No.	DESCRIPTION
D11	001-7058-90	AN1105W-RR	Q11	060-4015-90	PS1192H	S2	013-7413-50	LIMIT
D12	001-7058-90	AN1105W-RR	Q12	060-4015-90	PS1192H	PWB	039-2675-00	PWB(WITHOUT COMPONENTS)
J4	074-1138-60	10P	S1	013-7414-50	CHUCKING			