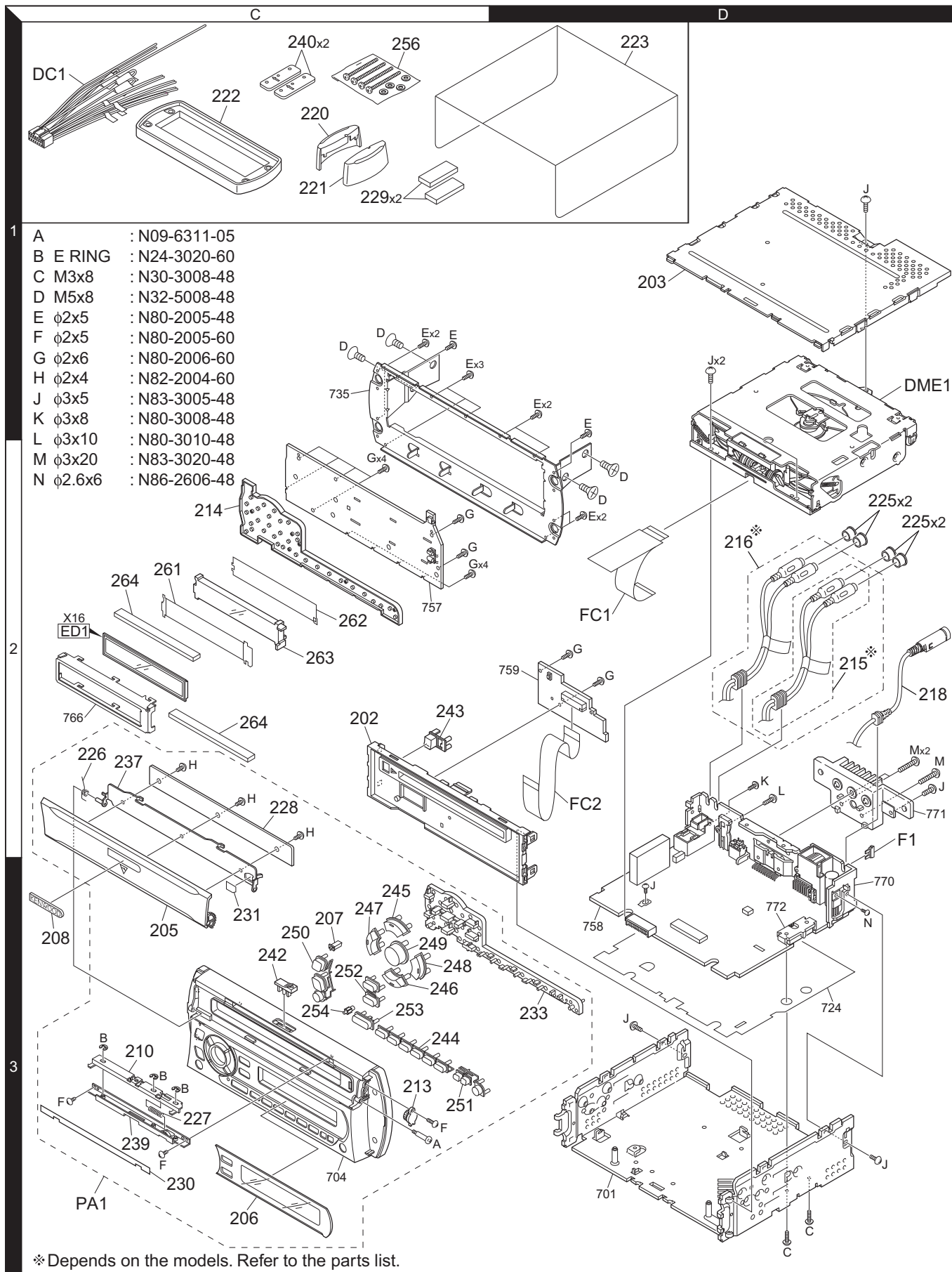


KTS-300MR/MP400MR

EXPLODED VIEW (UNIT)



Parts with the exploded numbers larger than 700 are not supplied.

KTS-300MR/MP400MR

PARTS LIST

* New parts

Parts without **Parts No.** are not supplied.

Les articles non mentionnés dans le **Parts No.** ne sont pas fournis.

Teile ohne **Parts No.** werden nicht geliefert.

Ref. No.	A d d	N e w	Parts No.	Description	Desti- nation
KTS-300MR/MP400MR					
202	2C	*	A22-3077-03	SUB PANEL ASSY	
203	1D	*	A52-0868-02	TOP PLATE	
205	3C	*	A64-3653-12	PANEL (DOOR)	
PA1	3C	*	A64-3651-11	PANEL ASSY	K
PA1	3C	*	A64-3666-11	PANEL ASSY	K1
-			B46-0100-50	WARRANTY CARD	
-		*	B64-3068-00	INSTRUCTIO.MANUAL (ENG.FRE.SPA)	
206	3C	*	B10-4712-13	FRONT GLASS	K
206	3C	*	B10-4716-13	FRONT GLASS	K1
207	3C	*	B19-2353-14	LIGHTING BOARD	
208	3C		B43-0336-04	BADGE	
210	3C	*	D10-4882-13	SLIDER (LOCK)	
213	3C	*	D39-0267-05	DAMPER	
214	2C	*	E29-2051-02	CONDUCTIVE RUBBER	
215	2D		E30-6229-05	CORD WITH PINPLUG	K1
216	2D		E30-6277-05	CORD WITH PINPLUG	K
218	2D	*	E30-6470-05	CORD WITH DIN CONNECTOR	
DC1	1C	*	E30-6457-05	DC CORD	
FC1	2D		E39-0438-05	FLAT CABLE (24PIN)	
FC2	2D	*	E39-0765-05	FLAT CABLE (16PIN)	
220	2C	*	F19-1452-23	COVER (L)	
221	1C	*	F19-1453-23	COVER (R)	
222	1C	*	F19-1454-03	SHIELDING (PANEL)	
223	1D	*	F19-1463-12	COVER	
225	2D		F29-0626-04	INSULATING COVER	
△ F1	2D		F52-0006-05	FUSE (MINI BLADE TYPE) 10A	
226	2C	*	G01-3262-04	TORSION COIL SPRING (DOOR)	
227	3C	*	G01-3263-14	COMPRESSION SPRING (LOCK)	
228	2C	*	G11-3641-24	CUSHION (DOOR)	
229	1D	*	G11-3668-04	CUSHION	
230	3C	*	G16-1592-04	SHEET	
231	3C	*	G16-1610-04	SHEET	
-		*	H10-4940-12	POLYSTYRENE FOAMED FIXTURE	
-		*	H12-2790-04	PACKING FIXTURE	
-		*	H12-2791-04	PACKING FIXTURE	
-		*	H21-1173-04	PROTECTION SHEET	
-			H25-0337-04	PROTECTION BAG (180X300X0.03)	
-			H25-1164-04	PROTECTION BAG (0.5X350X480)	
-		*	H54-3456-03	ITEM CARTON CASE	K
-		*	H54-3457-03	ITEM CARTON CASE	K1
233	3C	*	J19-7082-02	HOLDER	
237	2C	*	J22-0377-13	MOUNTING HARDWARE ASSY (DOOR)	
239	3C	*	J22-0379-13	MOUNTING HARDWARE ASSY (LOCK)	
240	1D	*	J22-0381-04	MOUNTING HARDWARE	
242	3C	*	K23-1098-04	KNOB (RELESE)	
243	2C	*	K25-1739-14	PUSH KNOB (EJECT)	
244	3C	*	K25-1740-02	PUSH KNOB (PREST)	
245	3C	*	K25-1741-04	PUSH KNOB (FM)	
246	3C	*	K25-1742-04	PUSH KNOB (AM)	

Ref. No.	A d d	N e w	Parts No.	Description	Desti- nation
247	3C	*	K25-1743-04	PUSH KNOB (SKIP L)	
248	3C	*	K25-1744-04	PUSH KNOB (SKIP R)	
249	3C	*	K25-1745-14	PUSH KNOB (PLAY)	
250	3C	*	K25-1746-03	PUSH KNOB (VOL)	
251	3C	*	K25-1747-13	PUSH KNOB (FUNC AUD)	
252	3C	*	K25-1748-03	PUSH KNOB (FUNC CD/CH)	
253	3C	*	K25-1749-03	PUSH KNOB (POWER)	
254	3C	*	K25-1754-24	PUSH KNOB (RESET)	
256	1D	*	N99-1771-05	SCREW SET	
A	3C	*	N09-6311-05	STEPPED SCREW (DOOR) (DOOR)	
B	3C		N24-3020-60	E TYPE RETAINING RING	
C	3D		N30-3008-48	PAN HEAD MACHINE SCREW	
D	1C	*	N32-5008-48	FLAT HEAD MACHINE SCREW (M5X8)	
E	1D		N80-2005-48	PAN HEAD TAPTITE SCREW (2X 5)	
F	3C	*	N80-2005-60	PAN HEAD TAPTITE SCREW (2X 5)	
G	1C	*	N80-2006-60	PAN HEAD TAPTITE SCREW (2X 6)	
H	2C	*	N82-2004-60	BINDING HEAD TAPTITE SCREW (2X4)	
J	1D		N83-3005-48	PAN HEAD TAPTITE SCREW (3X5,B)	
DME1	1D		X92-4850-00	MECHANISM ASSY (DXM-6540W)	K
DME1	1D	*	X92-4890-00	MECHANISM ASSY (DXM-6120W)	K1
SWITCH UNIT (X16-3200-10)					
261	2C	*	B11-1484-14	OPTICAL DIFFUSER	
262	2C	*	B11-1485-04	REFLECTION SHEET	
263	2C	*	B19-2343-02	LIGHTING BOARD	
D1			B30-1564-05	LED (1608, BLUE)	
D2			B30-1566-05	LED (1608, RED)	
D3-20			B30-1605-05	LED (2COLOR PG/RED)	
D22			B30-1605-05	LED (2COLOR PG/RED)	
D31,32			B30-1571-05	LED (WHITE)	
D101			B30-1564-05	LED (1608, BLUE)	
ED1		*	B38-1167-05	LCD	
C1			CK73GB1H102K	CHIP C 1000PF	K
C2-4			CK73GB1H104K	CHIP C 0.10UF	K
C6			CK73GB1H103K	CHIP C 0.010UF	K
C8			CK73GB1H103K	CHIP C 0.010UF	K
C12-14			CK73GB1H103K	CHIP C 0.010UF	K
264	2C	*	E29-2052-04	CONDUCTIVE RUBBER	
CN1			E41-0210-05	FLAT CABLE CONNECTOR	
CP2		*	RK74GB1J471J	CHIP-COM 470	J 1/16W
CP3,4			RK74GB1J102J	CHIP-COM 1.0K	J 1/16W
R1			RK73GB2A303J	CHIP R 30K	J 1/10W
R2-5			RK73GB2A222J	CHIP R 2.2K	J 1/10W
R6			RK73GB2A473J	CHIP R 47K	J 1/10W
R7			RK73GB2A102J	CHIP R 1.0K	J 1/10W
R8			RK73GB2A4R7J	CHIP R 4.7	J 1/10W
R9			RK73GB2A471J	CHIP R 470	J 1/10W
R12			RK73GB2A222J	CHIP R 2.2K	J 1/10W
R14			RK73GB2A222J	CHIP R 2.2K	J 1/10W
R16,17			RK73GB2A102J	CHIP R 1.0K	J 1/10W
R21			RK73FB2B271J	CHIP R 270	J 1/8W
R22-27			RK73FB2B331J	CHIP R 330	J 1/8W
R28			RK73FB2B561J	CHIP R 560	J 1/8W
R31			RK73FB2B271J	CHIP R 270	J 1/8W

K : KTS-MP400MR K1 : KTS-300MR (North America)

△ Indicates safety critical components.

PARTS LIST

SWITCH UNIT (X16-3200-10)

Ref. No.	Add	New	Parts No.	Description	Destination
R32,33			RK73GB2A472J	CHIP R 4.7K J 1/10W	
S1			S68-0902-05	PUSH SWITCH	
D21			MA3082-M	ZENER DIODE	
IC1			LC75808W-E	MOS-IC	
Q3-5			2SC4617	TRANSISTOR	
CD PLAYER UNIT (X32-5500-00) for KTS-MP400MR					
C1,2			CK73GB1H222K	CHIP C 2200PF K	K
C3,4			CK73GB0J105K	CHIP C 1.0UF K	K
C5			CK73GB1C104K	CHIP C 0.10UF K	K
C6			CK73GB1H103K	CHIP C 0.010UF K	K
C7-9			CK73GB0J105K	CHIP C 1.0UF K	K
C10-15			CK73GB1C104K	CHIP C 0.10UF K	K
C16			CK73FB0J475K	CHIP C 4.7UF K	K
C17			CK73FB0J106M	CHIP C 10UF M	K
C18			CK73GB1C104K	CHIP C 0.10UF K	K
C19			CK73FB0J475K	CHIP C 4.7UF K	K
C20			CK73GB1C104K	CHIP C 0.10UF K	K
C21			CK73GB1H102K	CHIP C 1000PF K	K
C22,23			CK73GB0J105K	CHIP C 1.0UF K	K
C24-27			CK73GB1C104K	CHIP C 0.10UF K	K
C28			CK73FB0J106M	CHIP C 10UF M	K
C29			CK73GB1C104K	CHIP C 0.10UF K	K
C30			CK73GB1H152K	CHIP C 1500PF K	K
C31			CC73GCH1H470J	CHIP C 47PF J	K
C32,33			CK73GB1C104K	CHIP C 0.10UF K	K
C34			CC73GCH1H560J	CHIP C 56PF J	K
C35,36			CK73GB1C104K	CHIP C 0.10UF K	K
C37			CK73GB1H102K	CHIP C 1000PF K	K
C38			CK73GB1H682K	CHIP C 6800PF K	K
C39			CK73GB1C104K	CHIP C 0.10UF K	K
C41			CK73GB1A334K	CHIP C 0.33UF K	K
C42-45			CK73GB1C104K	CHIP C 0.10UF K	K
C46			CK73GB1H682K	CHIP C 6800PF K	K
C47			CK73GB1C104K	CHIP C 0.10UF K	K
C48			CC73GCH1H040C	CHIP C 4.0PF C	K
C49			CK73GB1H332K	CHIP C 3300PF K	K
C50			CK73GB1C104K	CHIP C 0.10UF K	K
C51			CC73GCH1H330J	CHIP C 33PF J	K
C52			CK73FB1A225K	CHIP C 2.2UF K	K
C53			CK73GB0J105K	CHIP C 1.0UF K	K
C54,55			CK73GB1H103K	CHIP C 0.010UF K	K
C56,57			CK73GB1H331K	CHIP C 330PF K	K
C58			CK73GB1H472K	CHIP C 4700PF K	K
C59,60			CK73GB1H152K	CHIP C 1500PF K	K
C61,62			CK73GB1H102K	CHIP C 1000PF K	K
C63			CK73GB1H152K	CHIP C 1500PF K	K
C64			CK73GB1C104K	CHIP C 0.10UF K	K
C66			CC73GCH1H120J	CHIP C 12PF J	K
C67			CC73GCH1H180J	CHIP C 18PF J	K
C68			CK73GB1H103K	CHIP C 0.010UF K	K
C69			CK73FB1A225K	CHIP C 2.2UF K	K
C70			CK73FB1A105K	CHIP C 1.0UF K	K
C71			CK73FB0J106M	CHIP C 10UF M	K

Ref. No.	Add	New	Parts No.	Description	Destination
C72			CK73GB1H102K	CHIP C 1000PF K	K
CN1			E41-2083-05	FLAT CABLE CONNECTOR	K
CN2			E41-2297-05	FLAT CABLE CONNECTOR	K
L1,2			L92-0386-05	CHIP FERRITE	K
X1			L77-2808-05	CRYSTAL RESONATOR (16.897849MHZ)	K
X2			L78-0896-05	RESONATOR (16.00MHZ)	K
CP1			RK74GA1J104J	CHIP-COM 100K J 1/16W	K
CP2,3			RK74GA1J101J	CHIP-COM 100 J 1/16W	K
CP4			RK74GA1J103J	CHIP-COM 10K J 1/16W	K
CP5			RK74GA1J102J	CHIP-COM 1.0K J 1/16W	K
CP6			RK74GA1J104J	CHIP-COM 100K J 1/16W	K
CP7			RK74GB1J102J	CHIP-COM 1.0K J 1/16W	K
CP8			RK74GA1J102J	CHIP-COM 1.0K J 1/16W	K
CP9			RK74GB1J101J	CHIP-COM 100 J 1/16W	K
CP10			RK74GB1J103J	CHIP-COM 10K J 1/16W	K
CP11			RK74GB1J472J	CHIP-COM 4.7K J 1/16W	K
CP12			RK74GA1J104J	CHIP-COM 100K J 1/16W	K
CP13,14			RK74GB1J104J	CHIP-COM 100K J 1/16W	K
CP15			RK74GA1J104J	CHIP-COM 100K J 1/16W	K
CP16			RK74GB1J222J	CHIP-COM 2.2K J 1/16W	K
R1			RK73GB2A100J	CHIP R 10 J 1/10W	K
R2			R92-3494-05	CHIP R 5.6 F 1/2W	K
R3,4			RK73FB2B331J	CHIP R 330 J 1/8W	K
R5			RK73GB2A101J	CHIP R 100 J 1/10W	K
R6			RN73GH1J223D	CHIP R 22K D 1/16W	K
R7			RK73GB2A104J	CHIP R 100K J 1/10W	K
R8			RN73GH1J393D	CHIP R 39K D 1/16W	K
R9			RK73GB2A104J	CHIP R 100K J 1/10W	K
R10			RK73GB2A101J	CHIP R 100 J 1/10W	K
R11,12			RK73GB2A104J	CHIP R 100K J 1/10W	K
R13			RK73GB2A102J	CHIP R 1.0K J 1/10W	K
R14-17			RK73GB2A104J	CHIP R 100K J 1/10W	K
R18			RK73GB2A101J	CHIP R 100 J 1/10W	K
R21-23			RK73GB2A103J	CHIP R 10K J 1/10W	K
R24,25			RK73GB2A4R7J	CHIP R 4.7 J 1/10W	K
R27			RK73GB2A104J	CHIP R 100K J 1/10W	K
R28			RK73GB2A103J	CHIP R 10K J 1/10W	K
R29			RK73GB2A102J	CHIP R 1.0K J 1/10W	K
R31-33			RK73GB2A104J	CHIP R 100K J 1/10W	K
R34			RK73GB2A472J	CHIP R 4.7K J 1/10W	K
R35			RK73GB2A104J	CHIP R 100K J 1/10W	K
R36			RK73FB2B4R7J	CHIP R 4.7 J 1/8W	K
R37			RK73GB2A103J	CHIP R 10K J 1/10W	K
R38			RK73GB2A221J	CHIP R 220 J 1/10W	K
R39			RK73GB2A152J	CHIP R 1.5K J 1/10W	K
R40			RK73GB2A394J	CHIP R 390K J 1/10W	K
R42			RK73GB2A101J	CHIP R 100 J 1/10W	K
R43			RK73GB2A393J	CHIP R 39K J 1/10W	K
R44,45			RK73GB2A302J	CHIP R 3.0K J 1/10W	K
R46			RK73GB2A105J	CHIP R 1.0M J 1/10W	K
R47			RK73GB2A104J	CHIP R 100K J 1/10W	K
R48,49			RK73GB2A331J	CHIP R 330 J 1/10W	K
R50			RK73GB2A101J	CHIP R 100 J 1/10W	K

K : KTS-MP400MR K1 : KTS-300MR (North America)

△ Indicates safety critical components.

KTS-300MR/MP400MR

PARTS LIST

CD PLAYER UNIT (X32-5500-00) for KTS-MP400MR

Ref. No.	A d d	N e w	Parts No.	Description	Desti- nation
R51			RK73GB2A392J	CHIP R 3.9K J 1/10W	K
R52			RK73GB2A163J	CHIP R 16K J 1/10W	K
R53			RK73GB2A123J	CHIP R 12K J 1/10W	K
R54			RK73GB2A333J	CHIP R 33K J 1/10W	K
R55			RK73GB2A103J	CHIP R 10K J 1/10W	K
R56			RK73GB2A123J	CHIP R 12K J 1/10W	K
R57,58			RK73GB2A133J	CHIP R 13K J 1/10W	K
R59			RK73GB2A472J	CHIP R 4.7K J 1/10W	K
R60			RK73GB2A123J	CHIP R 12K J 1/10W	K
R61			RK73GB2A183J	CHIP R 18K J 1/10W	K
R62			RK73GB2A432J	CHIP R 4.3K J 1/10W	K
R63			RK73GB2A133J	CHIP R 13K J 1/10W	K
R64			RK73GB2A151J	CHIP R 150 J 1/10W	K
R65			RK73GB2A104J	CHIP R 100K J 1/10W	K
R66			RK73GB2A472J	CHIP R 4.7K J 1/10W	K
R67			RK73GB2A222J	CHIP R 2.2K J 1/10W	K
R68,69			RK73GB2A104J	CHIP R 100K J 1/10W	K
R70			RK73GB2A102J	CHIP R 1.0K J 1/10W	K
S1,2			S68-0863-05	PUSH SWITCH	K
S3			S68-0862-05	PUSH SWITCH	K
D2			DA204U	DIODE	K
D3			DAN202U	DIODE	K
IC1			91CW12AFG-5AR1	MICROCONTROLLER IC	K
IC2			UPD63712GC	MOS-IC	K
IC3			TC94A20F-010	MOS-IC	K
IC4			BA5824FP	ANALOGUE IC	K
IC5			NJM2880U133	ANALOGUE IC	K
IC6			XC6219B332MR	ANALOGUE IC	K
IC7			XC6219B252MR	ANALOGUE IC	K
IC8			TC7SH08FU	MOS-IC	K
IC9			TAR5S33-F	ANALOGUE IC	K
Q1			2SK3018	FET	K
Q3			UMD9N	TRANSISTOR	K
Q4			2SK3018	FET	K
Q5			UMD9N	TRANSISTOR	K
Q6			UMD12N	TRANSISTOR	K
Q7			DTC124EUA	DIGITAL TRANSISTOR	K
Q8			2SB0970	TRANSISTOR	K
Q9,10			DTC114YUA	DIGITAL TRANSISTOR	K
CD PLAYER UNIT (X32-5580-00) for KTS-300MR					
C1,2			CK73GB0J105K	CHIP C 1.0UF K	K1
C3			CK73FB1A225K	CHIP C 2.2UF K	K1
C4			CK73FB0J106M	CHIP C 10UF M	K1
C5			CC73GCH1H390J	CHIP C 39PF J	K1
C6			CC73GCH1H020C	CHIP C 2.0PF C	K1
C7			CK73GB1C104K	CHIP C 0.10UF K	K1
C8			CK73GB0J105K	CHIP C 1.0UF K	K1
C10			CK73GB1H472K	CHIP C 4700PF K	K1
C11			CK73GB1H682K	CHIP C 6800PF K	K1
C12			CK73GB1H332K	CHIP C 3300PF K	K1
C13			CK73GB1C333K	CHIP C 0.033UF K	K1
C14			CK73GB1H472K	CHIP C 4700PF K	K1
C15			CK73GB1E473K	CHIP C 0.047UF K	K1
C16			CC73GCH1H271J	CHIP C 270PF J	K1

Ref. No.	A d d	N e w	Parts No.	Description	Desti- nation
C17			CK73GB1H472K	CHIP C 4700PF K	K1
C18			CC73GCH1H331J	CHIP C 330PF J	K1
C19,20			CK73GB1C104K	CHIP C 0.10UF K	K1
C21			CK73FB1A225K	CHIP C 2.2UF K	K1
C23			CK73GB1H102K	CHIP C 1000PF K	K1
C24			CK73GB1E223K	CHIP C 0.022UF K	K1
C25			CK73GB1H153K	CHIP C 0.015UF K	K1
C26			CK73GB0J105K	CHIP C 1.0UF K	K1
C28			CK73GB0J105K	CHIP C 1.0UF K	K1
C29			CK73GB1C104K	CHIP C 0.10UF K	K1
C33			CK73GB1C104K	CHIP C 0.10UF K	K1
C35			CK73GB1C104K	CHIP C 0.10UF K	K1
C39			CK73GB1H152K	CHIP C 1500PF K	K1
C40			CK73GB1H103K	CHIP C 0.010UF K	K1
C41			CK73FB1A225K	CHIP C 2.2UF K	K1
C42			CK73GB1H152K	CHIP C 1500PF K	K1
C44			CK73GB1H103K	CHIP C 0.010UF K	K1
C46			CK73GB1E473K	CHIP C 0.047UF K	K1
C51			CK73GB1C104K	CHIP C 0.10UF K	K1
C55			CK73GB1C104K	CHIP C 0.10UF K	K1
C67,68			CK73GB1C104K	CHIP C 0.10UF K	K1
C71,72			CK73GB1H471K	CHIP C 470PF K	K1
C77,78			CC73GCH1H680J	CHIP C 68PF J	K1
C79,80			CK73GB1H222K	CHIP C 2200PF K	K1
C85			CK73GB1C104K	CHIP C 0.10UF K	K1
C89			CK73GB1H222K	CHIP C 2200PF K	K1
C90			CC73GCH1H220J	CHIP C 22PF J	K1
C91			CC73GCH1H150J	CHIP C 15PF J	K1
CN1			E41-2297-05	FLAT CABLE CONNECTOR	K1
CN2			E41-2083-05	FLAT CABLE CONNECTOR	K1
X2			L77-2808-05	CRYSTAL RESONATOR (16.897849MHZ)	K1
CP1			RK74GA1J101J	CHIP-COM 100 J 1/16W	K1
CP2			RK74GB1J101J	CHIP-COM 100 J 1/16W	K1
R3			RK73GB2A562J	CHIP R 5.6K J 1/10W	K1
R5			RK73GB2A910J	CHIP R 91 J 1/10W	K1
R6			RK73GB2A562J	CHIP R 5.6K J 1/10W	K1
R7			RK73GB2A104J	CHIP R 100K J 1/10W	K1
R8			RK73GB2A472J	CHIP R 4.7K J 1/10W	K1
R9			RK73FB2B100J	CHIP R 10 J 1/8W	K1
R10,11			RK73GB2A332J	CHIP R 3.3K J 1/10W	K1
R12			RK73GB2A362J	CHIP R 3.6K J 1/10W	K1
R15			RK73GB2A824J	CHIP R 820K J 1/10W	K1
R16			RK73GB2A223J	CHIP R 22K J 1/10W	K1
R17			RK73GB2A273J	CHIP R 27K J 1/10W	K1
R18			RK73GB2A392J	CHIP R 3.9K J 1/10W	K1
R19			RK73GB2A333J	CHIP R 33K J 1/10W	K1
R20			RK73GB2A104J	CHIP R 100K J 1/10W	K1
R21			RK73GB2A244J	CHIP R 240K J 1/10W	K1
R22			RK73GB2A393J	CHIP R 39K J 1/10W	K1
R32			RK73GB2A683J	CHIP R 68K J 1/10W	K1
R34			RK73GB2A363J	CHIP R 36K J 1/10W	K1
R35			RK73GB2A104J	CHIP R 100K J 1/10W	K1
R36			RK73GB2A151J	CHIP R 150 J 1/10W	K1

K : KTS-MP400MR K1 : KTS-300MR (North America)

△ Indicates safety critical components.

KTS-300MR/MP400MR

PARTS LIST

CD PLAYER UNIT (X32-5580-00) for KTS-300MR

Ref. No.	Add	New	Parts No.	Description	Destination	Ref. No.	Add	New	Parts No.	Description	Destination
R37			RK73GB2A471J	CHIP R 470 J 1/10W	K1	C2			CK73GB1H103K	CHIP C 0.010UF	K
R38			RK73GB2A224J	CHIP R 220K J 1/10W	K1	C3			CK73GB1H102K	CHIP C 1000PF	K
R40			RK73GB2A133J	CHIP R 13K J 1/10W	K1	C4-7			CK73GB1H103K	CHIP C 0.010UF	K
R46			RK73GB2A102J	CHIP R 1.0K J 1/10W	K1	C21			CD04AS1C101M	ELECTRO 100UF	16WV
R47			RK73GB2A103J	CHIP R 10K J 1/10W	K1	C22-25	*		CD04AS1V100M	ELECTRO 10UF	35WV
R49			RK73GB2A472J	CHIP R 4.7K J 1/10W	K1	C26			CD04BH1A100M	ELECTRO 10UF	10WV
R52			RK73GB2A104J	CHIP R 100K J 1/10W	K1	C27			CD04AT1H100M	ELECTRO 10UF	50WV
R53			RK73GB2A103J	CHIP R 10K J 1/10W	K1	C28			C90-5635-05	ELECTRO 220UF	16WV
R54			RK73GB2A104J	CHIP R 100K J 1/10W	K1	C29	*		CD04AS1V100M	ELECTRO 10UF	35WV
R70			RK73GB2A103J	CHIP R 10K J 1/10W	K1	C31			CK73GB1H103K	CHIP C 0.010UF	K
R71			RK73GB2A183J	CHIP R 18K J 1/10W	K1	C32			CK73GB1H223K	CHIP C 0.022UF	K
R73			RK73GB2A683J	CHIP R 68K J 1/10W	K1	C33			CD04AS1H010M	ELECTRO 1UF	50WV
R74			RK73GB2A123J	CHIP R 12K J 1/10W	K1	C41,42			CD04BF1E101M	ELECTRO 100UF	25WV
R75			RK73GB2A333J	CHIP R 33K J 1/10W	K1	C43,44			CD04BF1C221M	ELECTRO 220UF	16WV
R76			RK73GB2A103J	CHIP R 10K J 1/10W	K1	C45			CK73GB1C224K	CHIP C 0.22UF	K
R79,80			RK73GB2A103J	CHIP R 10K J 1/10W	K1	C51,52			CK73GB1H103K	CHIP C 0.010UF	K
R81			RK73GB2A333J	CHIP R 33K J 1/10W	K1	C111			CK73GB1H102K	CHIP C 1000PF	K
R82			RK73GB2A223J	CHIP R 22K J 1/10W	K1	C119			CK73GB1H103K	CHIP C 0.010UF	K
R83			RK73GB2A101J	CHIP R 100 J 1/10W	K1	C163			CK73GB1H103K	CHIP C 0.010UF	K
R84			RK73GB2A103J	CHIP R 10K J 1/10W	K1	C201,202			CD04AS1HR47M	ELECTRO 0.47UF	50WV
R101,102			RK73GB2A332J	CHIP R 3.3K J 1/10W	K1	C203			CK73GB1H223K	CHIP C 0.022UF	K
R103,104			RK73GB2A562J	CHIP R 5.6K J 1/10W	K1	C204			CK73GB1H103K	CHIP C 0.010UF	K
R107,108			RK73FB2B331J	CHIP R 330 J 1/8W	K1	C205			CK73GB1A474K	CHIP C 0.47UF	K
R110			RK73FB2B201J	CHIP R 200 J 1/8W	K1	C206			CC73GCH1H151J	CHIP C 150PF	J
R117,118			RK73FB2B183J	CHIP R 18K J 1/8W	K1	C207,208			CD04AS1H010M	ELECTRO 1UF	50WV
R121,122			RK73FB2B203J	CHIP R 20K J 1/8W	K1	C209			C90-5540-05	ELECTRO 2.2UF	50WV
R125,126			RK73FB2B123J	CHIP R 12K J 1/8W	K1	C210			CK73GB1H103K	CHIP C 0.010UF	K
R157			RK73GB2A104J	CHIP R 100K J 1/10W	K1	C211			CD04AS1C470M	ELECTRO 47UF	16WV
R158,159			RK73GB2A101J	CHIP R 100 J 1/10W	K1	C212,213			CK73GB1H104K	CHIP C 0.10UF	K
R202			RK73GB2A104J	CHIP R 100K J 1/10W	K1	C214,215			CK73GB1H103K	CHIP C 0.010UF	K
R213			RK73GB2A104J	CHIP R 100K J 1/10W	K1	C216,217			CD04AS1H010M	ELECTRO 1UF	50WV
R218			RK73GB2A473J	CHIP R 47K J 1/10W	K1	C218-221			CD04AS1H0R1M	ELECTRO 0.1UF	50WV
R233			RK73GB2A622J	CHIP R 6.2K J 1/10W	K1	C222-225			CK73GB1H104K	CHIP C 0.10UF	K
R234			RK73GB2A103J	CHIP R 10K J 1/10W	K1	C226,227			CK73FB1C105K	CHIP C 1.0UF	K
R240			RK73GB2A101J	CHIP R 100 J 1/10W	K1	C251-254			C90-5684-05	NP-ELECT 0.22UF	50WV
R241			RK73GB2A561J	CHIP R 560 J 1/10W	K1	C255			CD04AS1H010M	ELECTRO 1UF	50WV
S1,2			S68-0863-05	PUSH SWITCH	K1	C256			CD04AS1C220M	ELECTRO 22UF	16WV
S3			S68-0862-05	PUSH SWITCH	K1	C257			CK73GB1A105K	CHIP C 1.0UF	K
D1			DAN202U	DIODE	K1	C258	*		CD04AB1HR22M	ELECTRO 0.22UF	50WV
D2			MAZS0510L	ZENER DIODE	K1	C301,302			CD04AS1HR47M	ELECTRO 0.47UF	50WV
D3			DA204U	DIODE	K1	C303			CD04AS1C470M	ELECTRO 47UF	16WV
D4			DAN202U	DIODE	K1	C304			CK73GB1H103K	CHIP C 0.010UF	K
IC1			AN22002A-V	ANALOGUE IC	K1	C351-354	*		CD04AS1V100M	ELECTRO 10UF	35WV
IC2			MN662773KH2	MOS-IC	K1	C356,357			CK73GB1H103K	CHIP C 0.010UF	K
IC4			BA5824FP	ANALOGUE IC	K1	C358,359	*		CD04AS1V100M	ELECTRO 10UF	35WV
IC6			NJM4580M1	ANALOGUE IC	K1	C360			CK73GB1H103K	CHIP C 0.010UF	K
Q1			MCH6101-E	TRANSISTOR	K1	C401-404			CK73GB1A105K	CHIP C 1.0UF	K
Q2			DTC124EUA	DIGITAL TRANSISTOR	K1	C405			CK73GB1H104K	CHIP C 0.10UF	K
Q3			DTA143XUA	DIGITAL TRANSISTOR	K1	C406			CC73GCH1H220J	CHIP C 22PF	J
Q4			2SA1362(Y)	TRANSISTOR	K1	C407					
Q5			DTC124EUA	DIGITAL TRANSISTOR	K1	C408			CC73GCH1H270J	CHIP C 27PF	J
ELECTRIC UNIT (X34-3950-1x)						C409			CD04AT0J470M	ELECTRO 47UF	6.3WV
C1			C90-5682-05	ALUMINIUM ELECTROLYTIC C.		C500			CK73FB1A225K	CHIP C 2.2UF	K
						C501,502			CK73GB1H103K	CHIP C 0.010UF	K
						C503			CK73GB1H472K	CHIP C 4700PF	K

K : KTS-MP400MR K1 : KTS-300MR (North America)

△ Indicates safety critical components.

KTS-300MR/MP400MR

PARTS LIST

ELECTRIC UNIT (X34-3950-1x)

Ref. No.	Add	New	Parts No.	Description	Destination
CN1			E41-0167-05	PIN ASSY	K1
CN2			E41-0168-05	FLAT CABLE CONNECTOR	
CN3			E41-0956-05	PIN ASSY	
CN4			E41-0959-05	PIN ASSY	
CN5			E41-0941-05	PIN ASSY	
CN6			E41-0942-05	PIN ASSY	K
CN7			E40-4401-05	PIN ASSY	
J1			E58-0991-05	RECTANGULAR RECEPTACLE	
J2			E56-0834-05	CYLINDRICAL RECEPTACLE	
J3			E63-0887-05	PIN JACK	
J4			E04-0326-05	RF COAXIAL CABLE RECEPTACLE	K
L1			L33-1988-05	CHOKE COIL ASSY	
L3			L33-1123-05	LINE FILTER	
L6-8			L40-4795-91	SMALL FIXED INDUCTOR (4.7UH, J)	
L10,11			L40-4795-91	SMALL FIXED INDUCTOR (4.7UH, J)	
L12			L33-1925-05	CHOKE COIL	
X1			L78-0821-05	RESONATOR	
X2			L77-2880-05	CRYSTAL RESONATOR	
J	2D		N83-3005-48	PAN HEAD TAPTITE SCREW	
K	2D		N80-3008-48	PAN HEAD TAPTITE SCREW	
L	2D		N80-3010-48	PAN HEAD TAPTITE SCREW	
M	2D		N83-3020-48	PAN HEAD TAPTITE SCREW	
N	3D		N86-2606-48	BINDING HEAD TAPTITE SCREW	
R1			RK73GB2A823J	CHIP R 82K J 1/10W	K
R2			RK73GB2A363J	CHIP R 36K J 1/10W	
R3			RK73GB2A104J	CHIP R 100K J 1/10W	
R4			RK73FB2B203J	CHIP R 20K J 1/8W	
R5,6			RK73GB2A103J	CHIP R 10K J 1/10W	
R7			RK73GB2A223J	CHIP R 22K J 1/10W	
R8			RD14DB2H332J	SMALL-RD 3.3K J 1/2W	
R9			RD14BB2C333J	RD 33K J 1/6W	
R10,11			RK73GB2A223J	CHIP R 22K J 1/10W	
R12			RK73GB2A473J	CHIP R 47K J 1/10W	
R13			RK73GB2A562J	CHIP R 5.6K J 1/10W	
R21			RK73FB2B152J	CHIP R 1.5K J 1/8W	
R22,23			RD14BB2C472J	RD 4.7K J 1/6W	
R24-28			RK73GB2A103J	CHIP R 10K J 1/10W	
R31			RK73EB2E103J	CHIP R 10K J 1/4W	
R32			RK73GB2A223J	CHIP R 22K J 1/10W	K
R33			RK73GB2A473J	CHIP R 47K J 1/10W	
R34			RK73EB2E103J	CHIP R 10K J 1/4W	
R35			RK73GB2A104J	CHIP R 100K J 1/10W	
R36			RK73GB2A222J	CHIP R 2.2K J 1/10W	
R37			RK73EB2E102J	CHIP R 1.0K J 1/4W	
R38			RK73GB2A561J	CHIP R 560 J 1/10W	
R41-44			RK73GB2A473J	CHIP R 47K J 1/10W	
R51,52			RK73GB2A222J	CHIP R 2.2K J 1/10W	
R53-56			RK73GB2A102J	CHIP R 1.0K J 1/10W	
R58			RK73GB2A222J	CHIP R 2.2K J 1/10W	
R59			RK73GB2A101J	CHIP R 100 J 1/10W	
R60			RK73GB2A222J	CHIP R 2.2K J 1/10W	
R61,62			RK73GB2A104J	CHIP R 100K J 1/10W	
R63			RK73GB2A222J	CHIP R 2.2K J 1/10W	

Ref. No.	Add	New	Parts No.	Description	Destination
R64,65			RK73GB2A104J	CHIP R 100K J 1/10W	
R67,68			RK73GB2A471J	CHIP R 470 J 1/10W	
R101			RK73GB2A102J	CHIP R 1.0K J 1/10W	
R102			RK73GB2A471J	CHIP R 470 J 1/10W	
R103			RK73GB2A472J	CHIP R 4.7K J 1/10W	
R104			RK73GB2A471J	CHIP R 470 J 1/10W	
R105			RK73GB2A472J	CHIP R 4.7K J 1/10W	
R106			RK73GB2A222J	CHIP R 2.2K J 1/10W	
R152			RK73GB2A102J	CHIP R 1.0K J 1/10W	
R153			RK73GB2A471J	CHIP R 470 J 1/10W	
R154			RK73GB2A102J	CHIP R 1.0K J 1/10W	
R155			RK73GB2A222J	CHIP R 2.2K J 1/10W	
R157,158			RK73GB2A471J	CHIP R 470 J 1/10W	
R159			RK73GB2A102J	CHIP R 1.0K J 1/10W	
R160			RK73GB2A222J	CHIP R 2.2K J 1/10W	
R161			RK73GB2A225J	CHIP R 2.2M J 1/10W	
R162,163			RK73GB2A104J	CHIP R 100K J 1/10W	
R164,165			RK73GB2A473J	CHIP R 47K J 1/10W	
R166			RK73GB2A472J	CHIP R 4.7K J 1/10W	
R167			RK73GB2A474J	CHIP R 470K J 1/10W	
R168,169			RK73GB2A102J	CHIP R 1.0K J 1/10W	
R185,186			RK73GB2A474J	CHIP R 470K J 1/10W	
R187			RK73GB2A222J	CHIP R 2.2K J 1/10W	
R188			RK73GB2A473J	CHIP R 47K J 1/10W	
R201			RK73GB2A103J	CHIP R 10K J 1/10W	
R202-204			RK73GB2A472J	CHIP R 4.7K J 1/10W	
R205			RK73GB2A222J	CHIP R 2.2K J 1/10W	
R207,208			RK73GB2A102J	CHIP R 1.0K J 1/10W	
R209,210			RK73GB2A103J	CHIP R 10K J 1/10W	
R211-216			RK73GB2A333J	CHIP R 33K J 1/10W	
R251			RK73GB2A473J	CHIP R 47K J 1/10W	
R253			RK73GB2A432J	CHIP R 4.3K J 1/10W	
R254			RK73GB2A100J	CHIP R 10 J 1/10W	
R255			RK73GB2A331J	CHIP R 330 J 1/10W	
R256			RK73GB2A334J	CHIP R 330K J 1/10W	
R257			RK73GB2A153J	CHIP R 15K J 1/10W	
R301,302			RK73EB2E100J	CHIP R 10 J 1/4W	
R303			RK73EB2E101J	CHIP R 100 J 1/4W	
R304,305			RK73EB2E472J	CHIP R 4.7K J 1/4W	
R306			RK73EB2E4R7J	CHIP R 4.7 J 1/4W	
R307-309			RK73EB2E472J	CHIP R 4.7K J 1/4W	
R310,311			RK73EB2E101J	CHIP R 100 J 1/4W	
R312-315			RK73GB2A104J	CHIP R 100K J 1/10W	
R351,352			RK73GB2A361J	CHIP R 360 J 1/10W	
R355,356			RK73GB2A223J	CHIP R 22K J 1/10W	
R357,358			RK73EB2E181J	CHIP R 180 J 1/4W	
R359,360			RK73GB2A361J	CHIP R 360 J 1/10W	
R361,362			RK73GB2A223J	CHIP R 22K J 1/10W	
R363,364			RK73EB2E181J	CHIP R 180 J 1/4W	
R366-368			RK73FB2B471J	CHIP R 470 J 1/8W	
R369			RK73EB2E471J	CHIP R 470 J 1/4W	
R370-372			RK73GB2A101J	CHIP R 100 J 1/10W	
R374,375			RK73GB2A361J	CHIP R 360 J 1/10W	
R376,377			RK73GB2A223J	CHIP R 22K J 1/10W	
R378,379			RK73FB2B181J	CHIP R 180 J 1/8W	

K : KTS-MP400MR K1 : KTS-300MR (North America)

△ Indicates safety critical components.

KTS-300MR/MP400MR

PARTS LIST

ELECTRIC UNIT (X34-3950-1x)

Ref. No.	Add	New	Parts No.	Description	Destination
R401-406			RK73GB2A104J	CHIP R 100K J 1/10W	K
R407			RK73GB2A223J	CHIP R 22K J 1/10W	
R408			RK73GB2A104J	CHIP R 100K J 1/10W	
R409			RK73GB2A153J	CHIP R 15K J 1/10W	
R410			RK73GB2A104J	CHIP R 100K J 1/10W	
R412			RK73GB2A223J	CHIP R 22K J 1/10W	
R415			RK73GB2A223J	CHIP R 22K J 1/10W	
R417			RK73GB2A223J	CHIP R 22K J 1/10W	
R419			RK73GB2A223J	CHIP R 22K J 1/10W	
R421			RK73GB2A223J	CHIP R 22K J 1/10W	
R422			RK73GB2A103J	CHIP R 10K J 1/10W	
R424			RK73FB2B100J	CHIP R 10 J 1/8W	
R425			RK73FB2B102J	CHIP R 1.0K J 1/8W	
R426			RK73GB2A333J	CHIP R 33K J 1/10W	
W101,102			R92-2052-05	CHIP R 0 OHM J 1/10W	
W103,104			R92-1252-05	CHIP R 0 OHM J 1/16W	
W109			R92-1252-05	CHIP R 0 OHM J 1/16W	
W201-204			R92-1252-05	CHIP R 0 OHM J 1/16W	
D1			1N5393G-M6	DIODE	
D2-4			MA4068(N)-M	ZENER DIODE	
D21			MA4082(N)-L	ZENER DIODE	
D22-25			AM01ZNF	DIODE	
D26			DAN202U	DIODE	
D31			HZS5B1	ZENER DIODE	
D32			MA4056-M	ZENER DIODE	
D41			SFPB-54V	DIODE	
D151-155			DA204K	DIODE	
D157-162			DA204K	DIODE	
D163			MA4062-L	ZENER DIODE	
D164			MA4120-L	ZENER DIODE	
D165			MA4062-L	ZENER DIODE	
D166			DA204U	DIODE	
D203-205			DAP202U	DIODE	
D269			1SS133	DIODE	
D271			1SS133	DIODE	
D301			MA4062-L	ZENER DIODE	
D303,304			MA4062-L	ZENER DIODE	
D307,308			MA4062-L	ZENER DIODE	
D309-311			MA4068(N)-M	ZENER DIODE	
D351			MA3062WA	ZENER DIODE	
D352			DA204U	DIODE	
D401			1SS133	DIODE	
IC1	*		UPD703030GC066	MICROCONTROLLER IC	K
IC1	*		UPD703030GC069	MICROCONTROLLER IC	K1
IC2			TDA7411	ANALOGUE IC	
IC3			BA4911-V4	ANALOGUE IC	
IC4			TB2903HQ	ANALOGUE IC	
IC6			HD74HC27FP-E	MOS-IC	
IC8			PST3436UL-E	MOS-IC	
IC9			SI-8050JD	ANALOGUE IC	K
IC10			BR24L04F-W	ROM IC	
Q1-3			2SC4081	TRANSISTOR	
Q4			2SA1036K	TRANSISTOR	
Q21			2SD2375	TRANSISTOR	

Ref. No.	Add	New	Parts No.	Description	Destination
Q22,23			UMC2N	TRANSISTOR	K
Q31			DTC144EUA	DIGITAL TRANSISTOR	
Q32			DTA123JK	DIGITAL TRANSISTOR	
Q41			2SC4081	TRANSISTOR	
Q151			DTA114YUA	DIGITAL TRANSISTOR	
Q152			2SA1576A	TRANSISTOR	
Q153			DTC144EUA	DIGITAL TRANSISTOR	
Q154			2SA1577	TRANSISTOR	
Q201			DTC143TUA	DIGITAL TRANSISTOR	
Q350			DTA124EUA	DIGITAL TRANSISTOR	
Q351,352			DTC143TUA	DIGITAL TRANSISTOR	
Q354			DTA124EUA	DIGITAL TRANSISTOR	
Q355-358			DTC143TUA	DIGITAL TRANSISTOR	
TH1			PRF21BE471QB2	POSITIVE RESISTOR	
A1			X86-3720-11	FRONT-END UNIT	
DAUGHTER UNIT (X89-2820-10)					
C1			CK73GB1H103K	CHIP C 0.010UF K	
CN1			E41-0169-05	SOCKET FOR PIN ASSY	
CN2			E41-0210-05	FLAT CABLE CONNECTOR	
R1			RK73EB2E102J	CHIP R 1.0K J 1/4W	
R3-5			RK73EB2E471J	CHIP R 470 J 1/4W	
R6,7			RK73EB2E102J	CHIP R 1.0K J 1/4W	
R8			RK73EB2E241J	CHIP R 240 J 1/4W	
R11,12			RK73EB2E102J	CHIP R 1.0K J 1/4W	
S1			S70-0871-05	TACT SWITCH	
CD MECHANISM ASSY (X92-4850-00/X92-4890-00)					
2	1B		A10-4827-32	CHASSIS	
5	1B		D10-4576-83	ARM ASSY	
8	2A		D10-4579-23	LEVER ASSY	
10	3A		D10-4581-13	ARM	
11	2A		D10-4582-13	ARM	
12	3A		D10-4583-03	ARM	
13	3A		D10-4584-03	ARM	
14	3B		D10-4585-03	ARM	
15	2A		D10-4586-13	SLIDER	
16	3B		D10-4587-52	SLIDER	
17	3B		D10-4588-13	SLIDER	
18	3B		D10-4595-04	ARM	
19	3B		D10-4596-24	ARM	
22	2A		D13-2151-04	GEAR	
23	2B		D13-2152-04	GEAR	
24	3B		D13-2153-04	GEAR	
25	3B		D13-2154-04	GEAR	
26	3B		D13-2155-04	WORM	
27	3B		D13-2156-14	GEAR	
28	3B		D13-2157-04	GEAR	
29	3B		D13-2158-04	GEAR	
30	3B		D13-2168-04	GEAR	
31	3B		D13-2171-04	GEAR	
32	2B		D13-2172-13	RACK (GEAR)	
33	2A		D14-0759-04	ROLLER	
35	2B		D21-2382-04	SHAFT	

K : KTS-MP400MR K1 : KTS-300MR (North America)

△ Indicates safety critical components.

